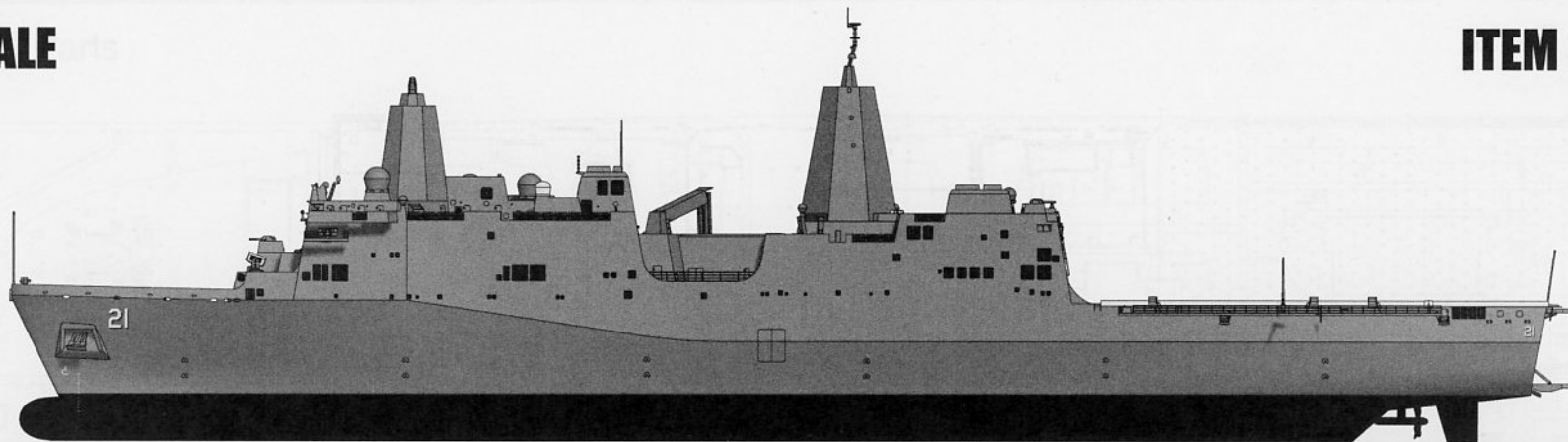


1/350 SCALE

ITEM NO.:05616



USS New York (LPD-21)

美国海军"纽约"号船坞登陆舰(LPD-21)

READ BEFORE ASSEMBLY:

- This kit is not recommended for inexperienced modelers or for children under 14 years of age
- Study and understand these instructions thoroughly before beginning assembly
- When needed, remove photo-etch parts carefully using a modeling knife or photo etch sprue cutter, being careful not to damage or lose small parts.
- Take extra care in handling photo etch parts in order to avoid injury
- Apply instant cement sparingly to photo etch parts where instructed

- Tools recommended(not included in kit):Plastic and instant cements,sprue cutters,long nose pliers,modeling knife, small files, tweezers, pin vise & scissors. Soft cloth and sandpaper will also assist in construction
- Glue and paint are not included in the kit. Use plastic cement and hobby paints only. Color guide for purchasing paint is included in the kit.
- Keep out of reach of children. They must not be allowed to ingest small parts or handle plastic bags in any way.

装配之前仔细阅读

- 小心用模型锉刀锉平所有零件表面的注射浇口。
- 小心用刀片切下蚀刻片零件，不要遗失小零件。
- 用强力快干胶水粘合蚀刻片零件和金属轴。过量的快干胶水使用可能导致可动零件会粘住，小心涂胶。
- 取蚀刻片时应特别注意安全，防止利边划伤手指。
- 某些零件表面需贴水上贴纸，请选择在装配的同时进行。
- 推荐模型工具(自备)：胶水，水口剪刀，长咀钳，刀片，锉刀，镊子钳，钻，剪刀，瞬间快干胶。
- 软布同砂纸同时也应该是必备工具。
- 请使用塑料胶水和油漆，模型内不含。
- 谨防小孩吮吸塑料零件，或者将塑料袋套在头上，制作时应将套材远离小孩接触。
- 本产品不适合14岁以下没有经验的模型爱好者。

水贴纸的使用:

1. 从水贴纸上剪下印花;
2. 将印花放入温水中浸10秒，然后放在干净布上。
3. 拿着印花纸板将印花移到模型上;
4. 手指蘸水将印花移到适当的位置;
5. 用软布轻压印花直至水干，气泡消失。

DECAL APPLICATION:

1. Cut decals from sheet as needed
2. Dip the decal in warm water for about 10 seconds and then place on soft clean cloth.
3. Hold the decal backing sheet edge and gently slide the decal onto the model in its proper position.

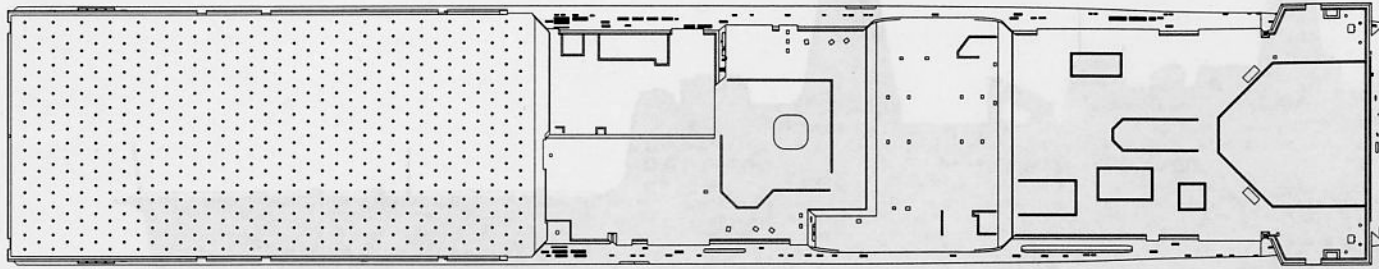
4. While still wet,decal can be adjusted for better fit on model by dampening it gently with your finger.
5. When placed in the proper position,gently press decal down with a soft cloth until excess water and air bubbles are gone.
6. Allow decal to dry completely before handling model



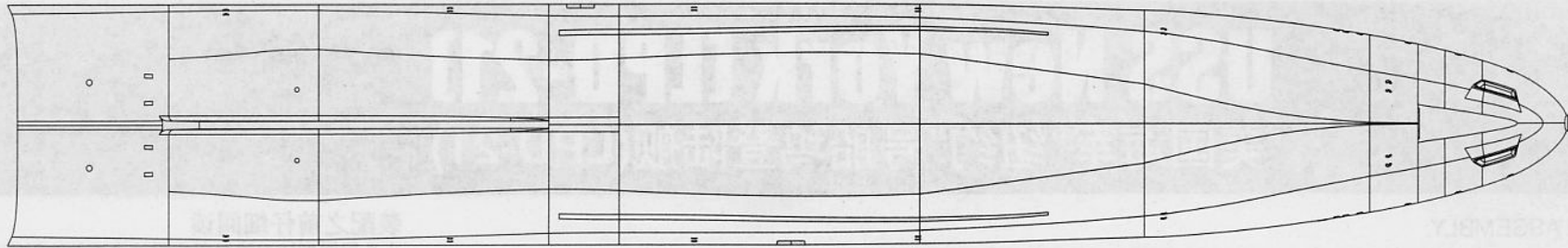
部品图 Parts

1:50 SCALE

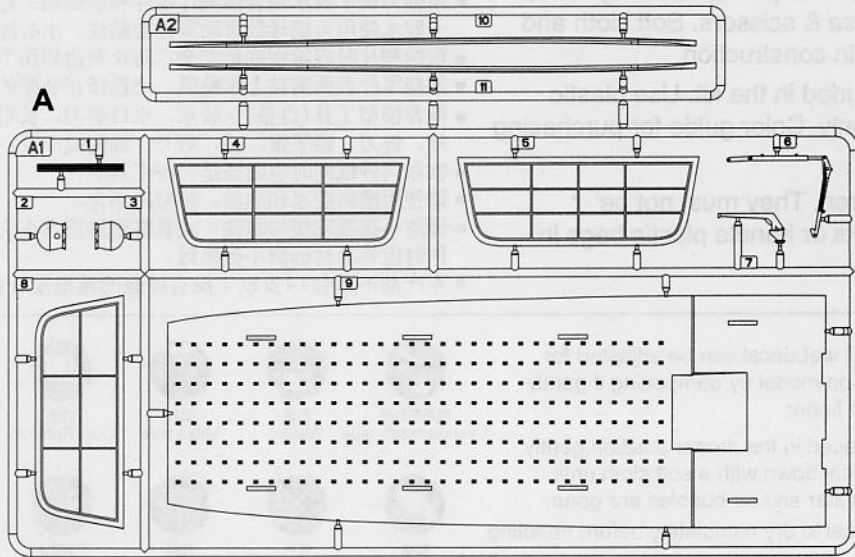
M



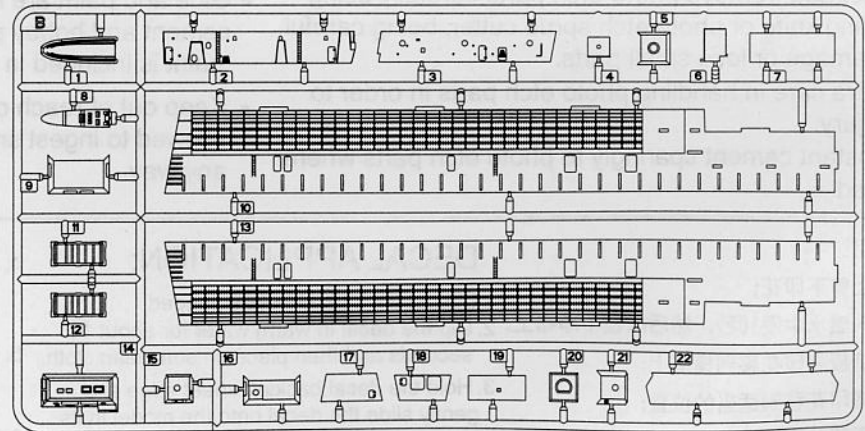
N



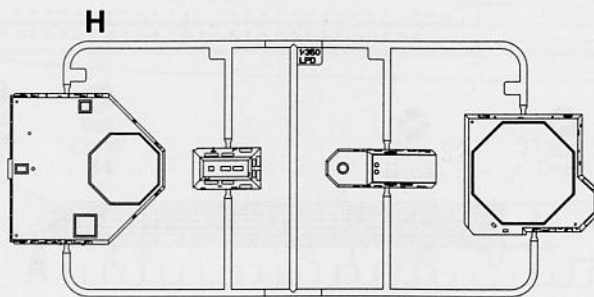
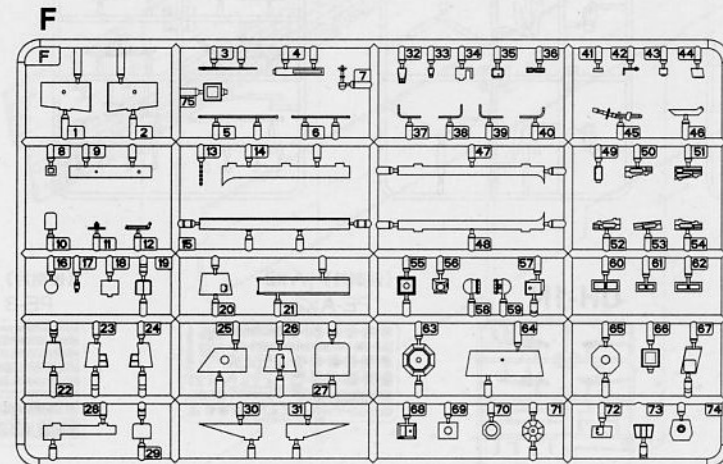
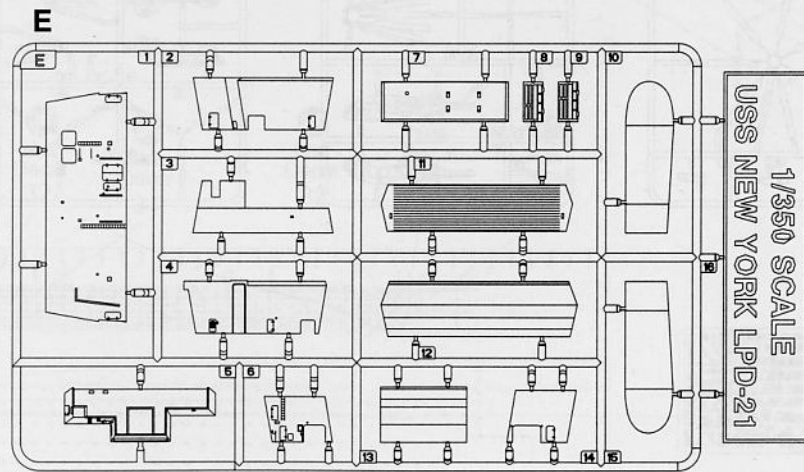
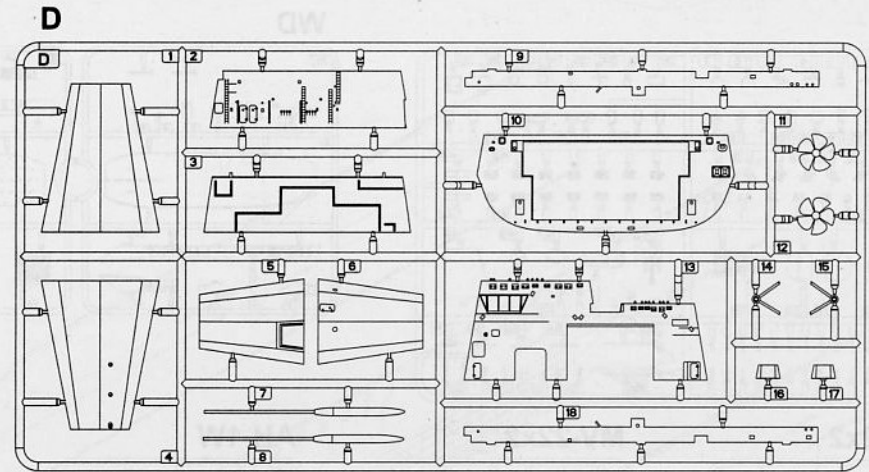
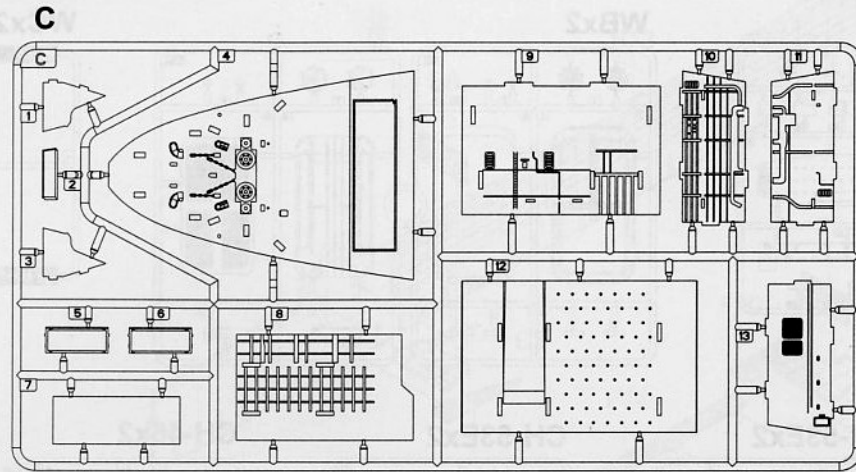
A



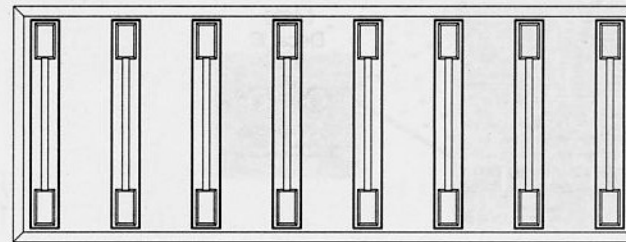
B



部品图 Parts



《底座》
Stand

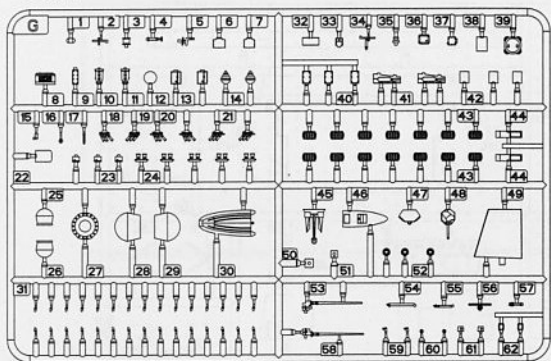


《链条》
Chain L:150mm

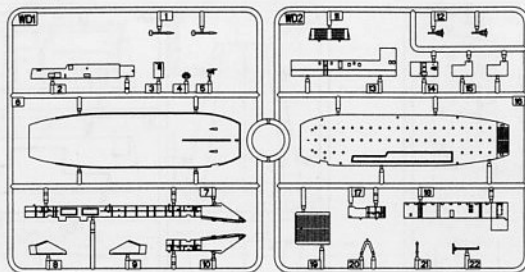


部品图 Parts

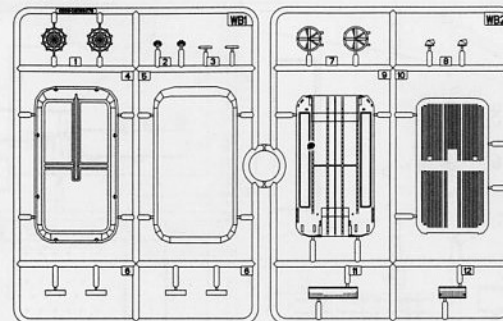
Gx2



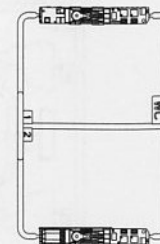
WD



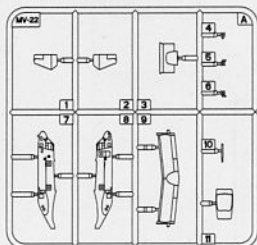
WBx2



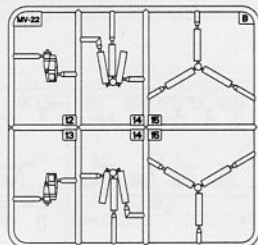
WCx2



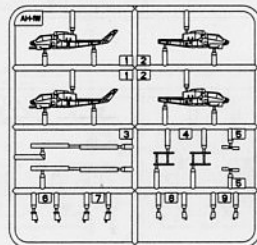
MV-22x2



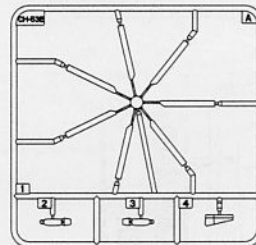
MV-22x2



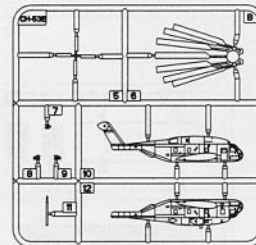
AH-1W



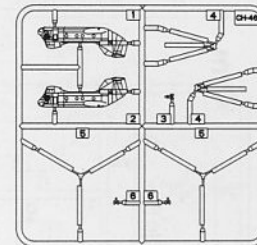
CH-53Ex2



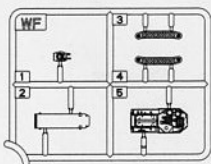
CH-53Ex2



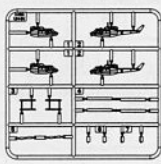
CH-46x2



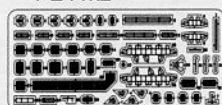
WFx2



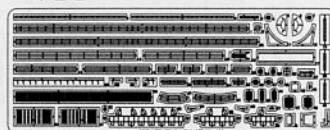
UH-1N



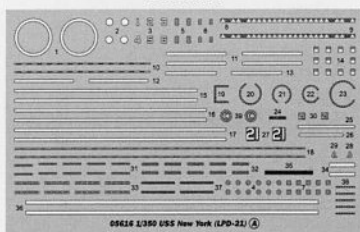
《蚀刻片》-A x2
PE-A x2



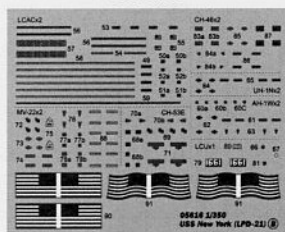
《蚀刻片》-B
PE-B



《水贴》
Decal A



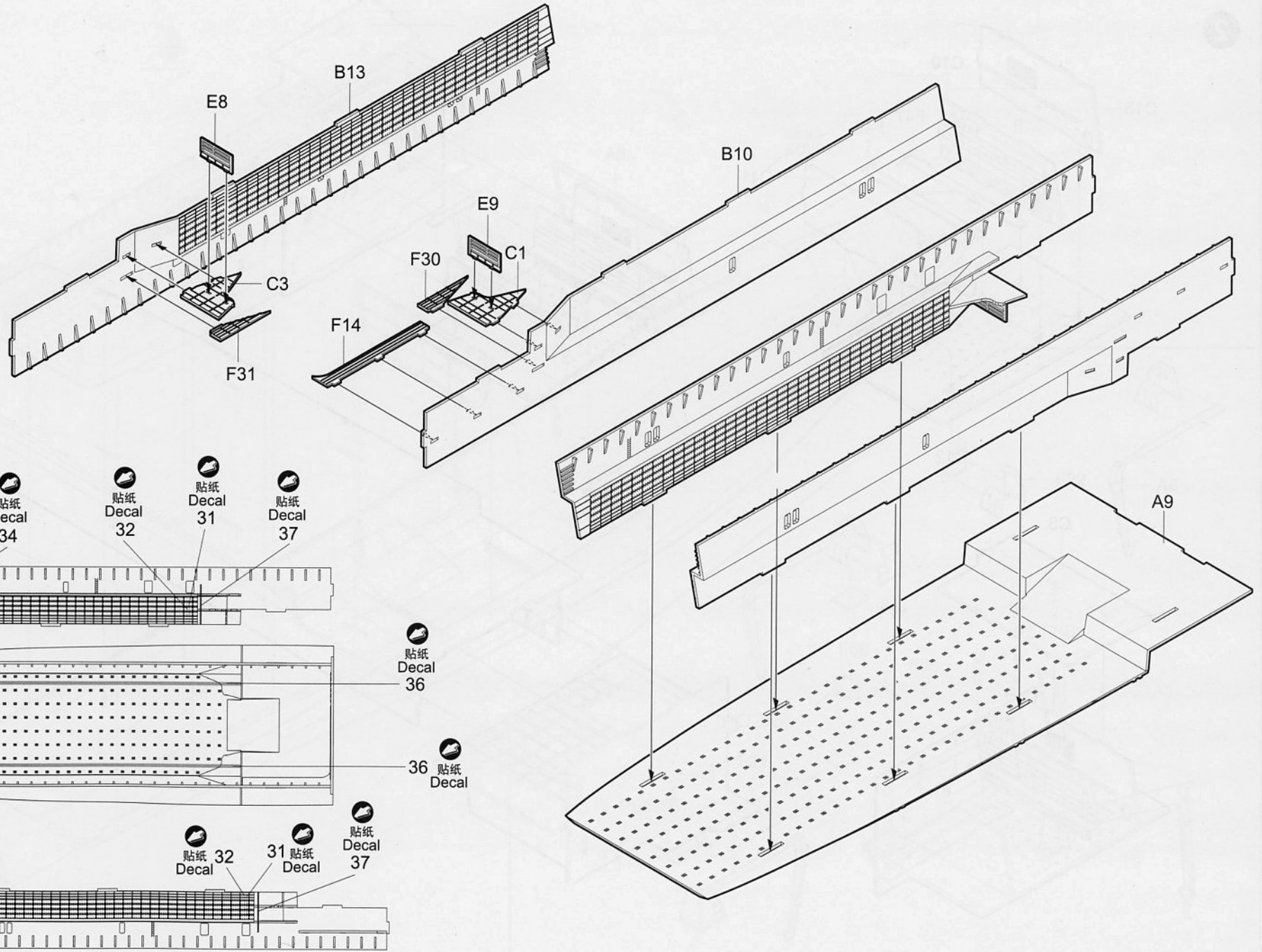
《水贴》
Decal B



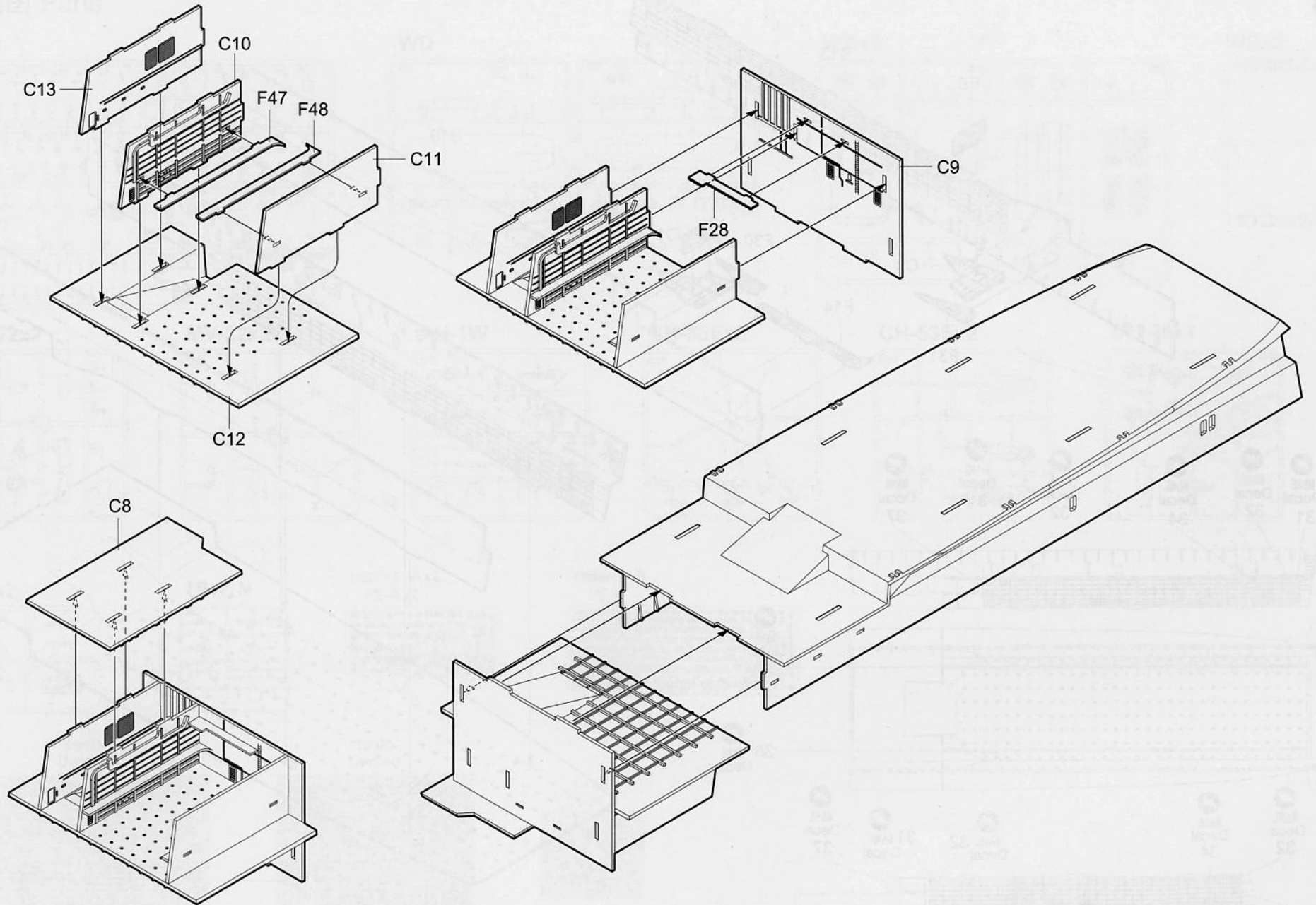
《水贴》
Decal C



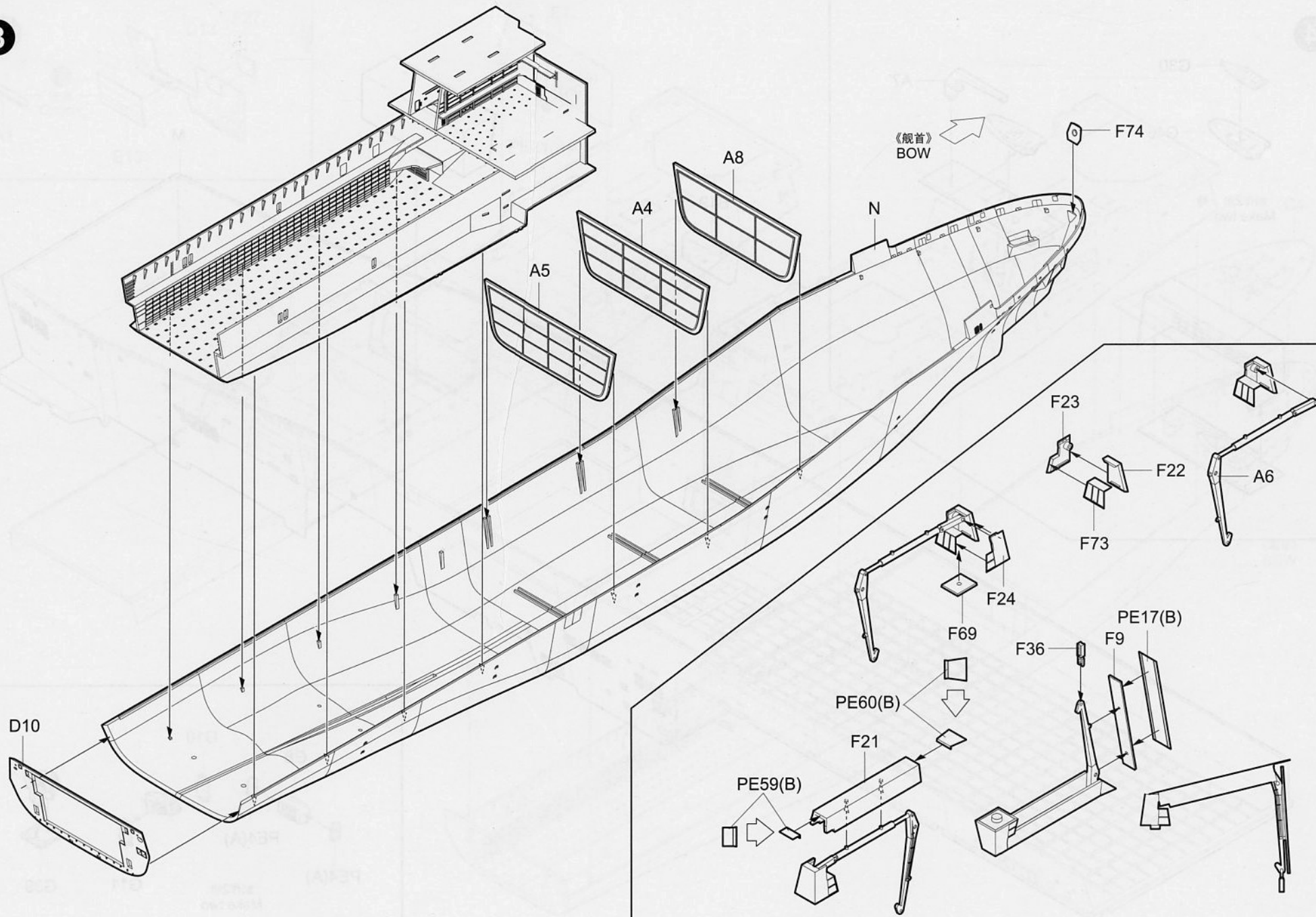
1



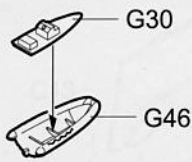
2



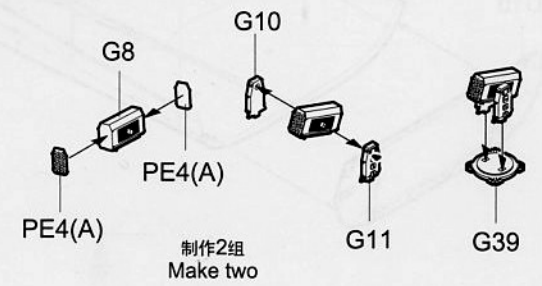
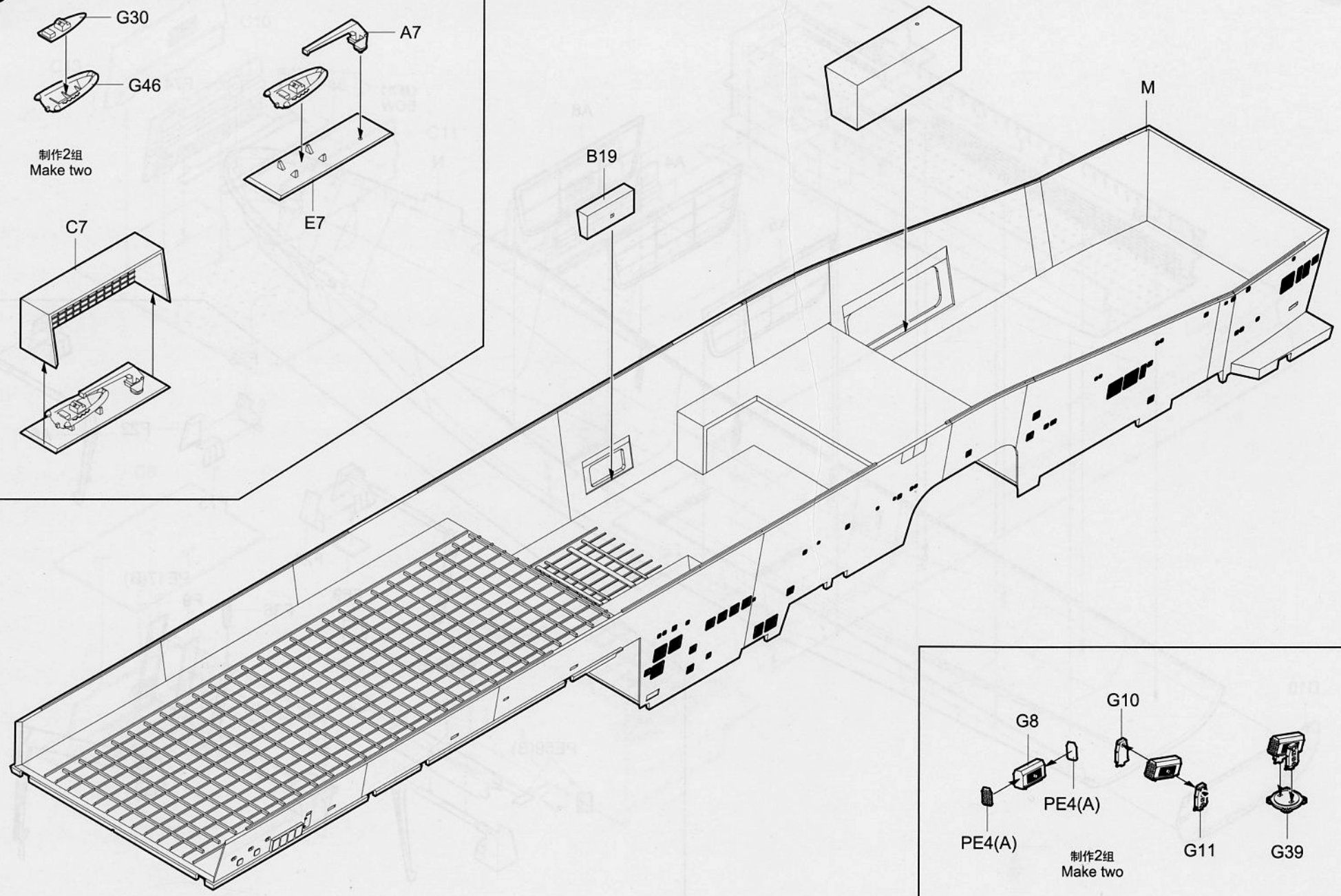
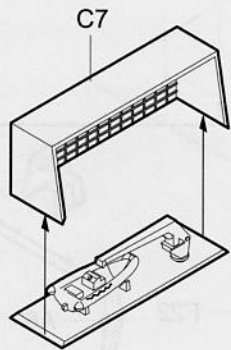
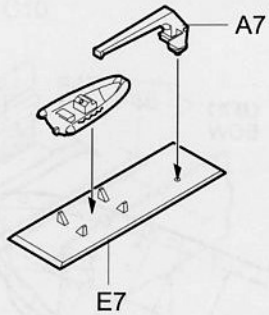
3



4

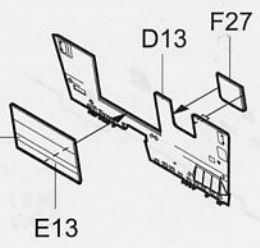


制作2组
Make two



5

A1
选择
Option



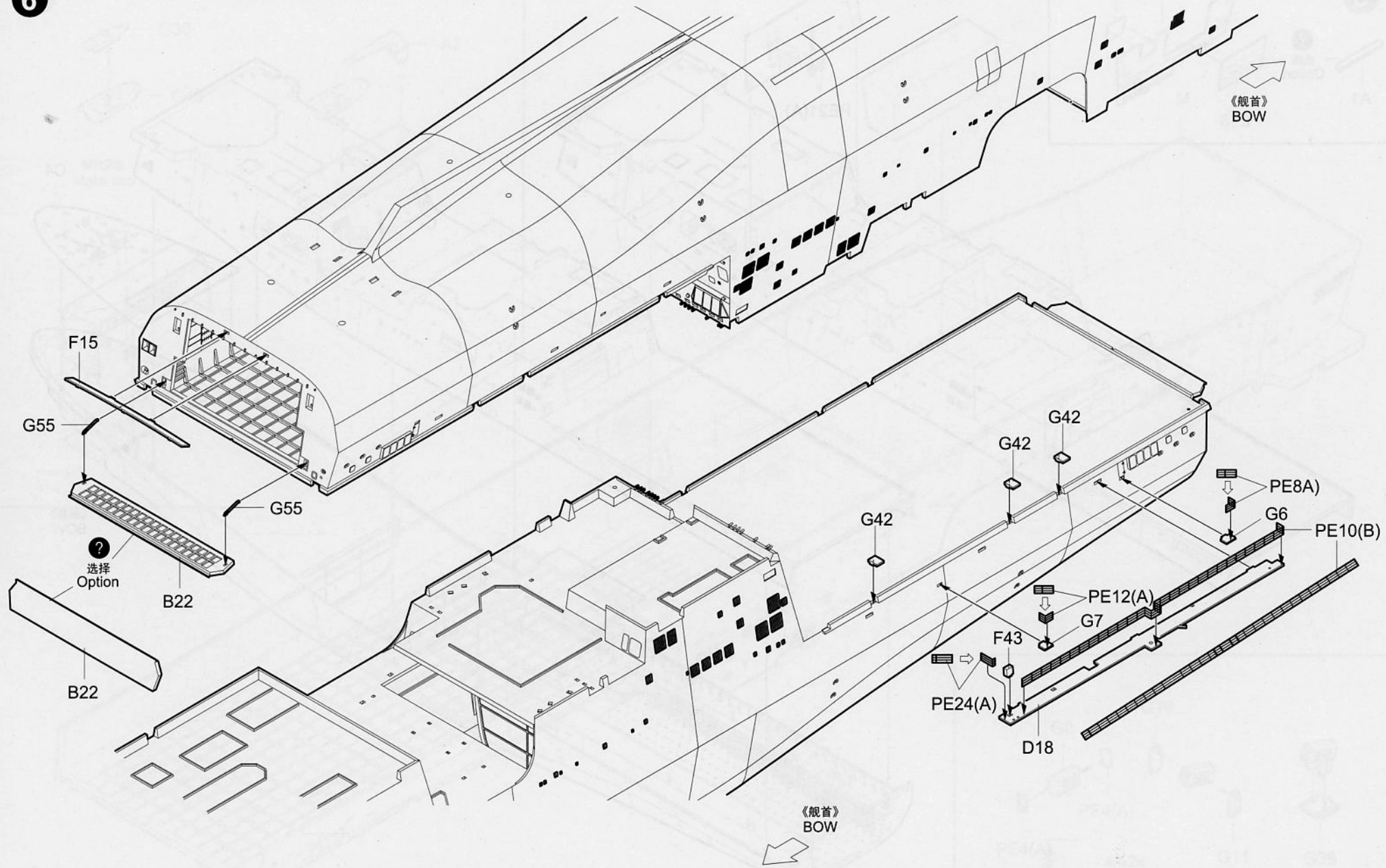
E1

PE21(A)

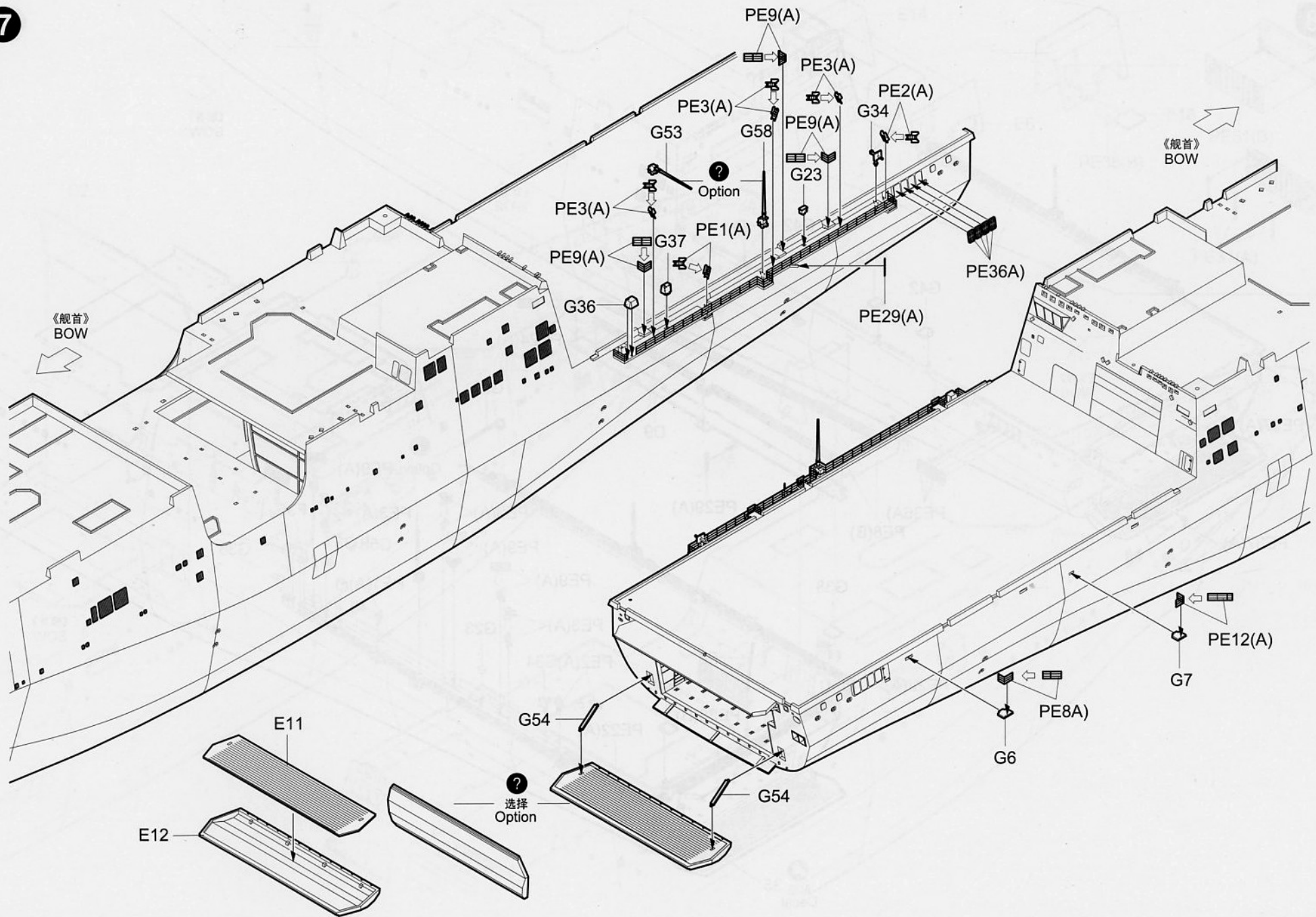
C4

《舰首》
BOW

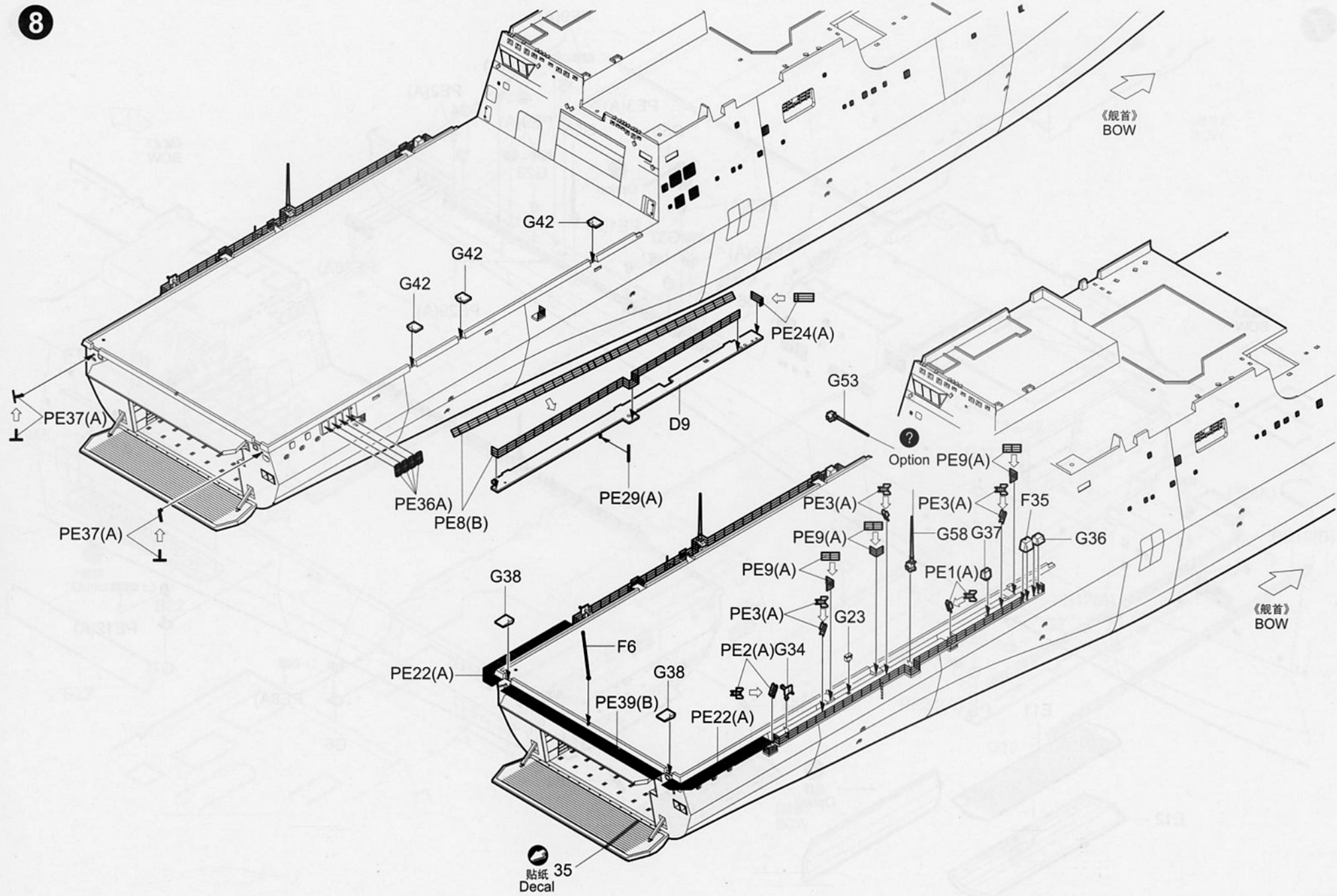
6



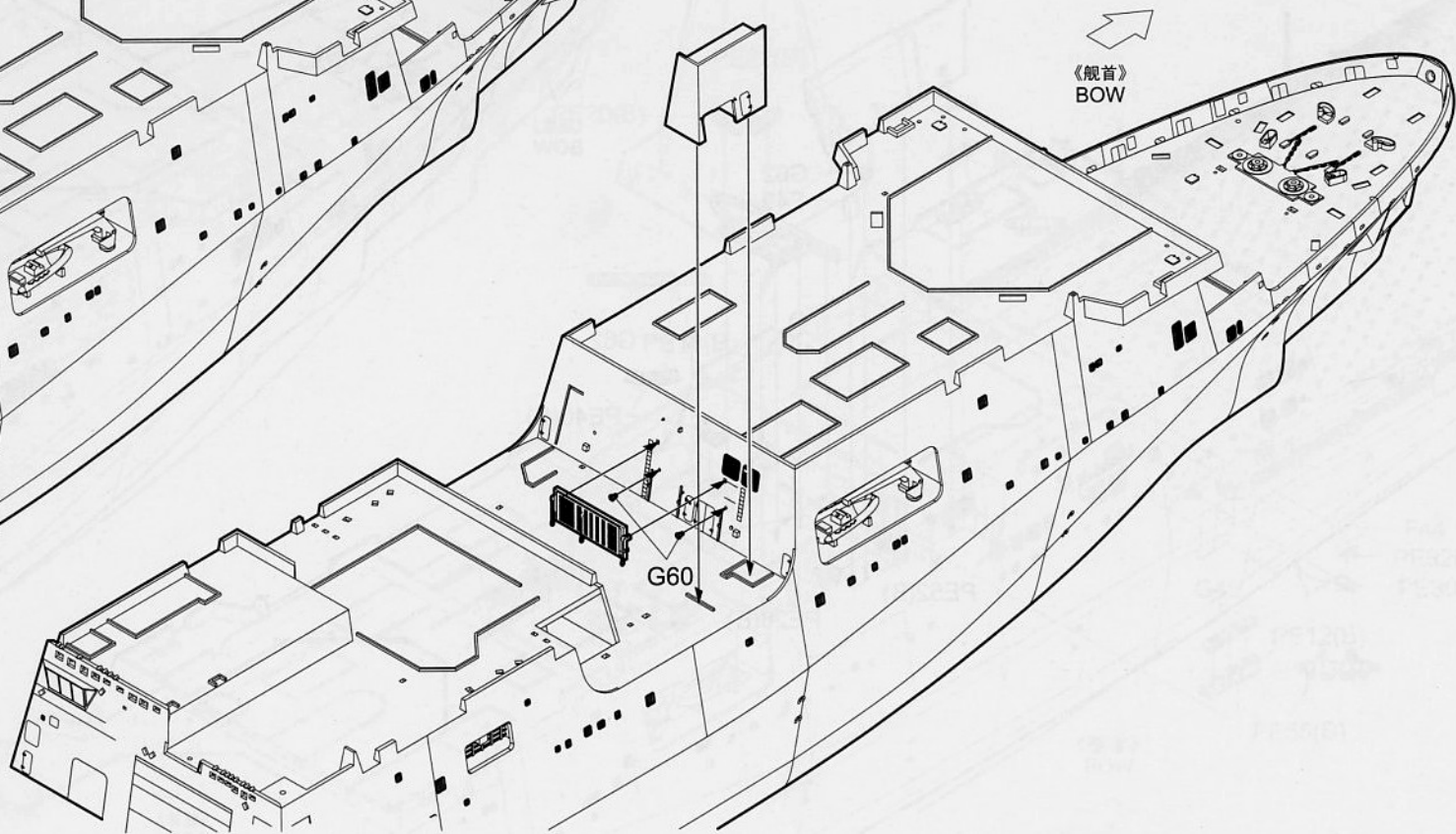
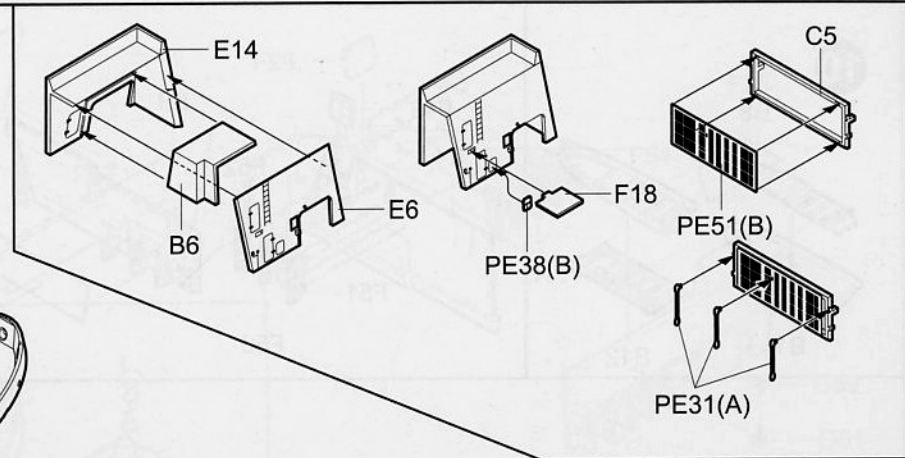
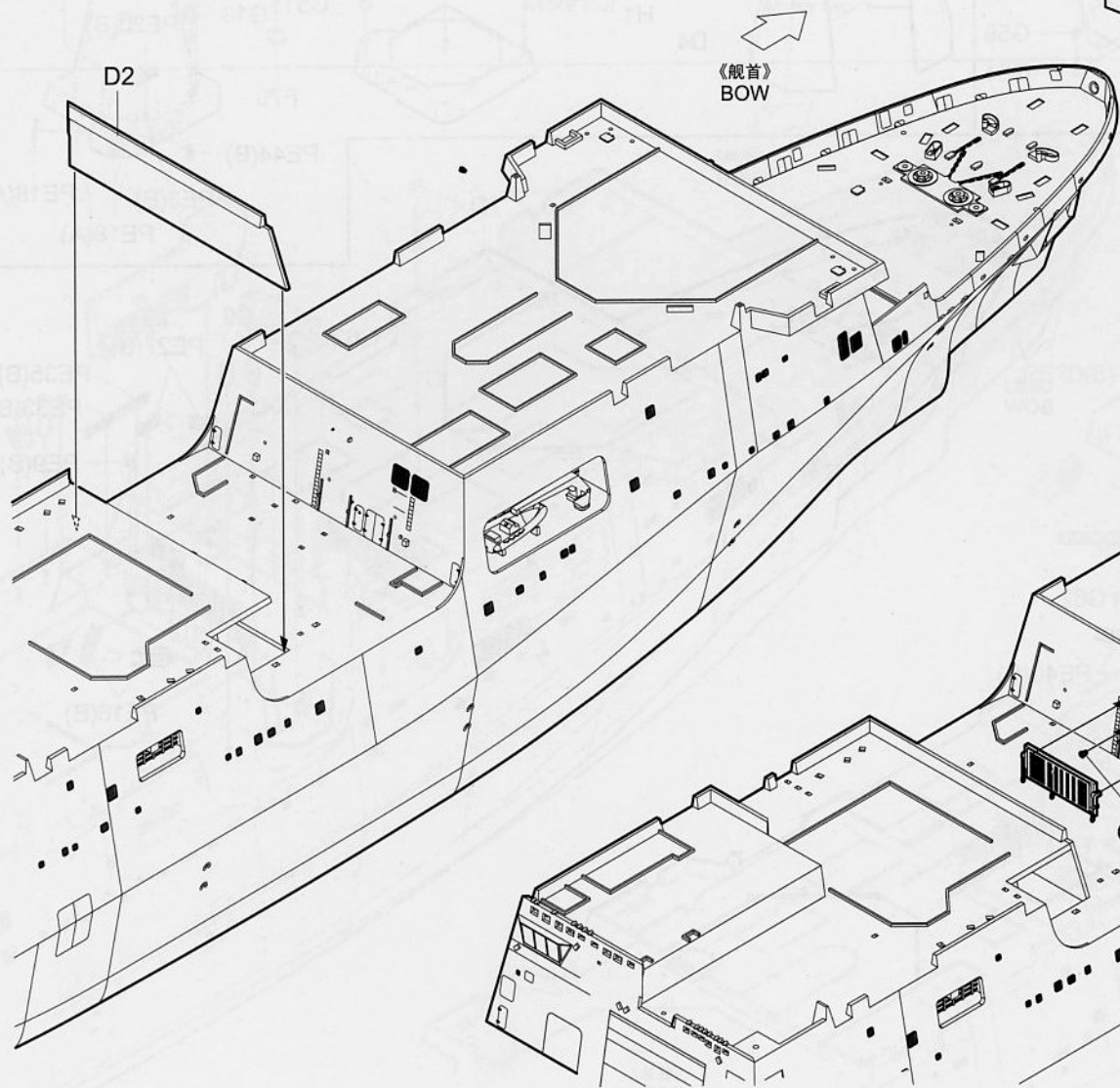
7



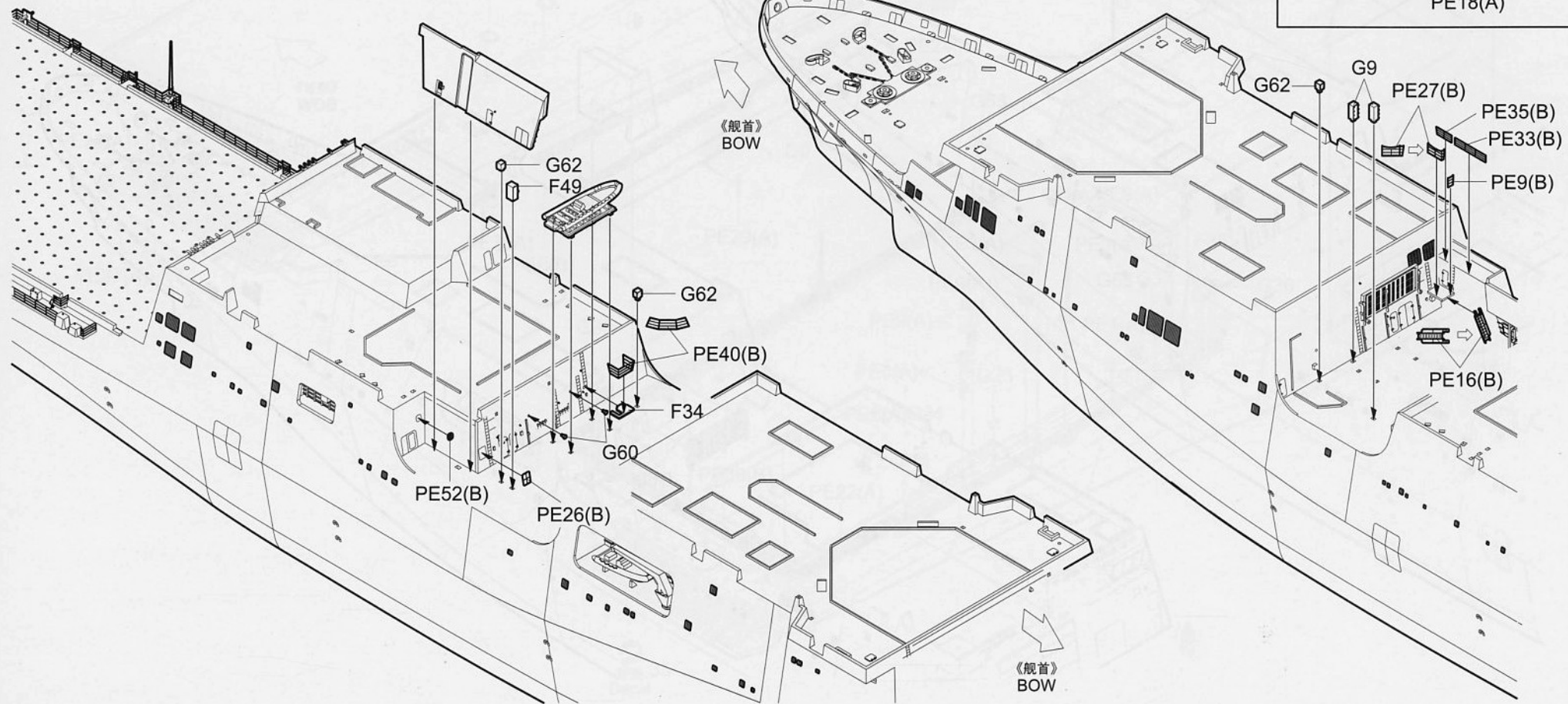
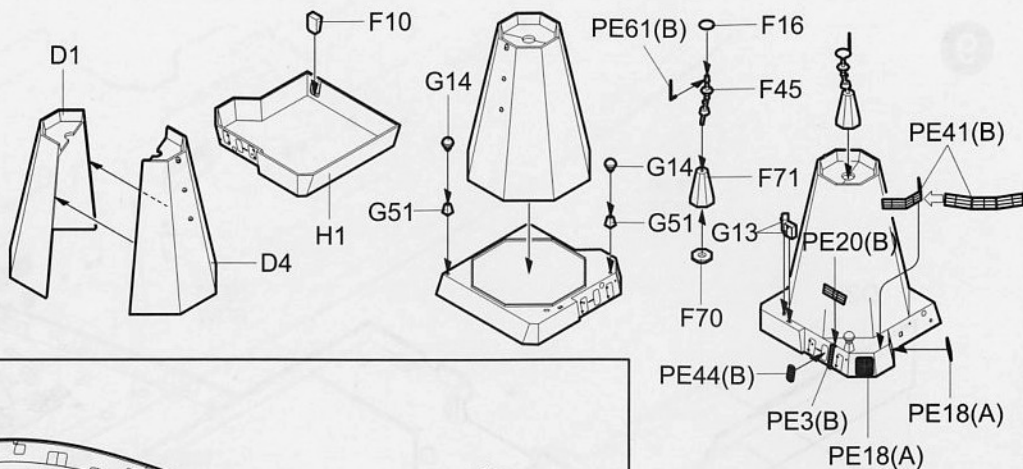
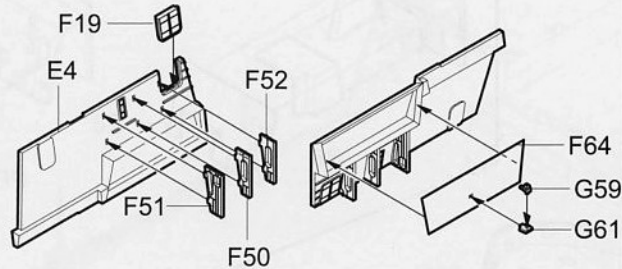
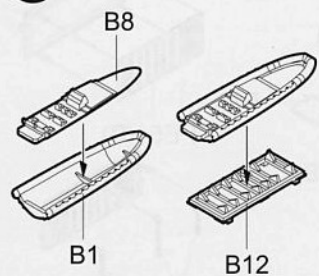
8



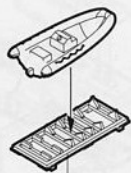
9



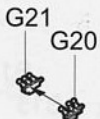
10



11



B11



G21 G20

G44



PE34(A)



PE35(A)

制作4组
Make four

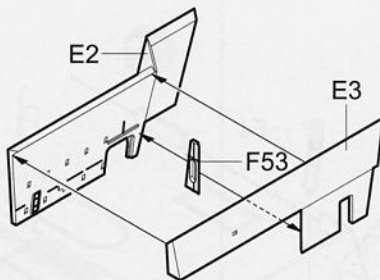
G19



G18

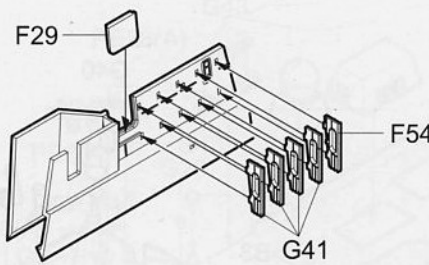
制作2组
Make two

E2



F53

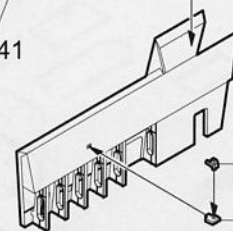
F29



F54

G41

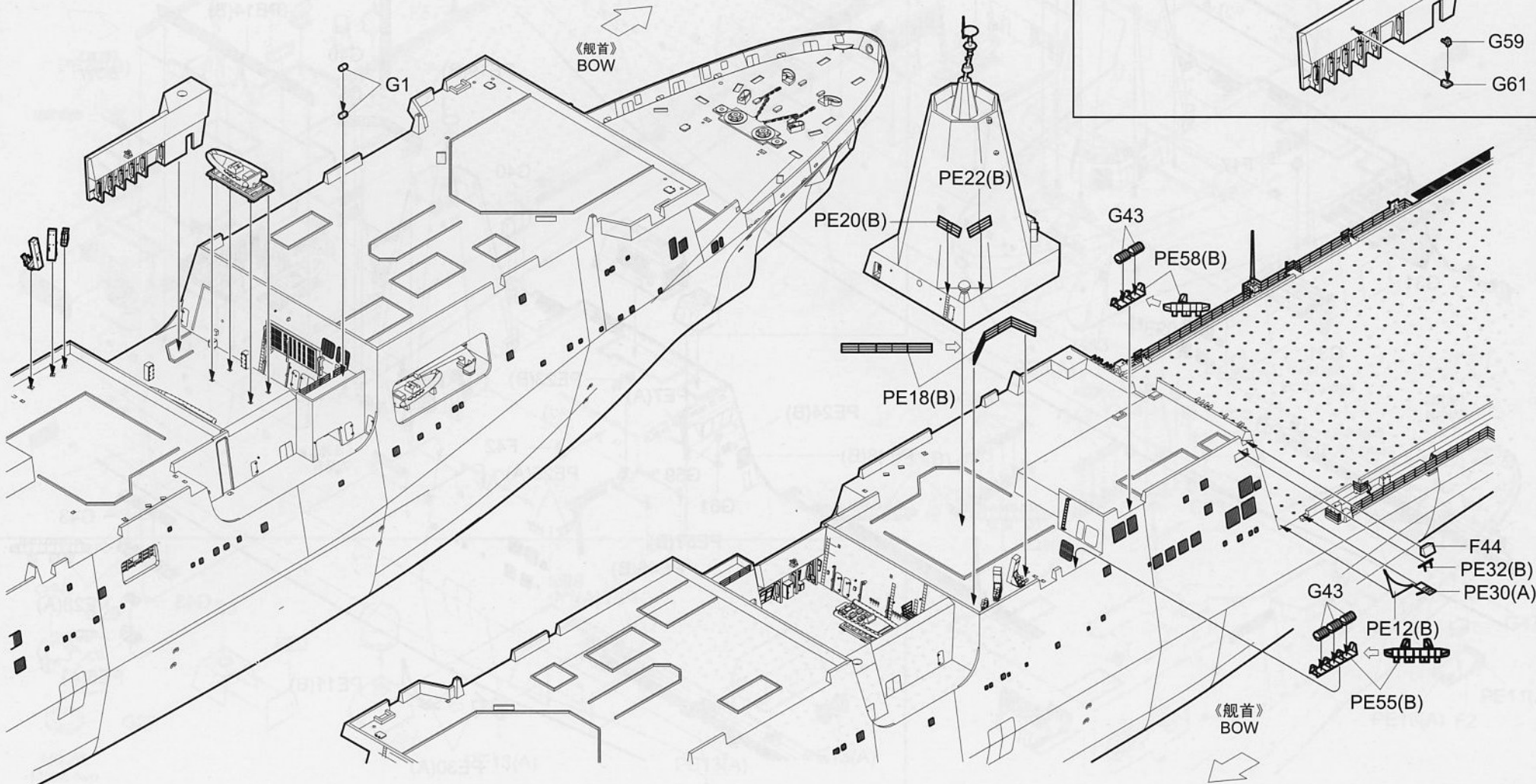
F25



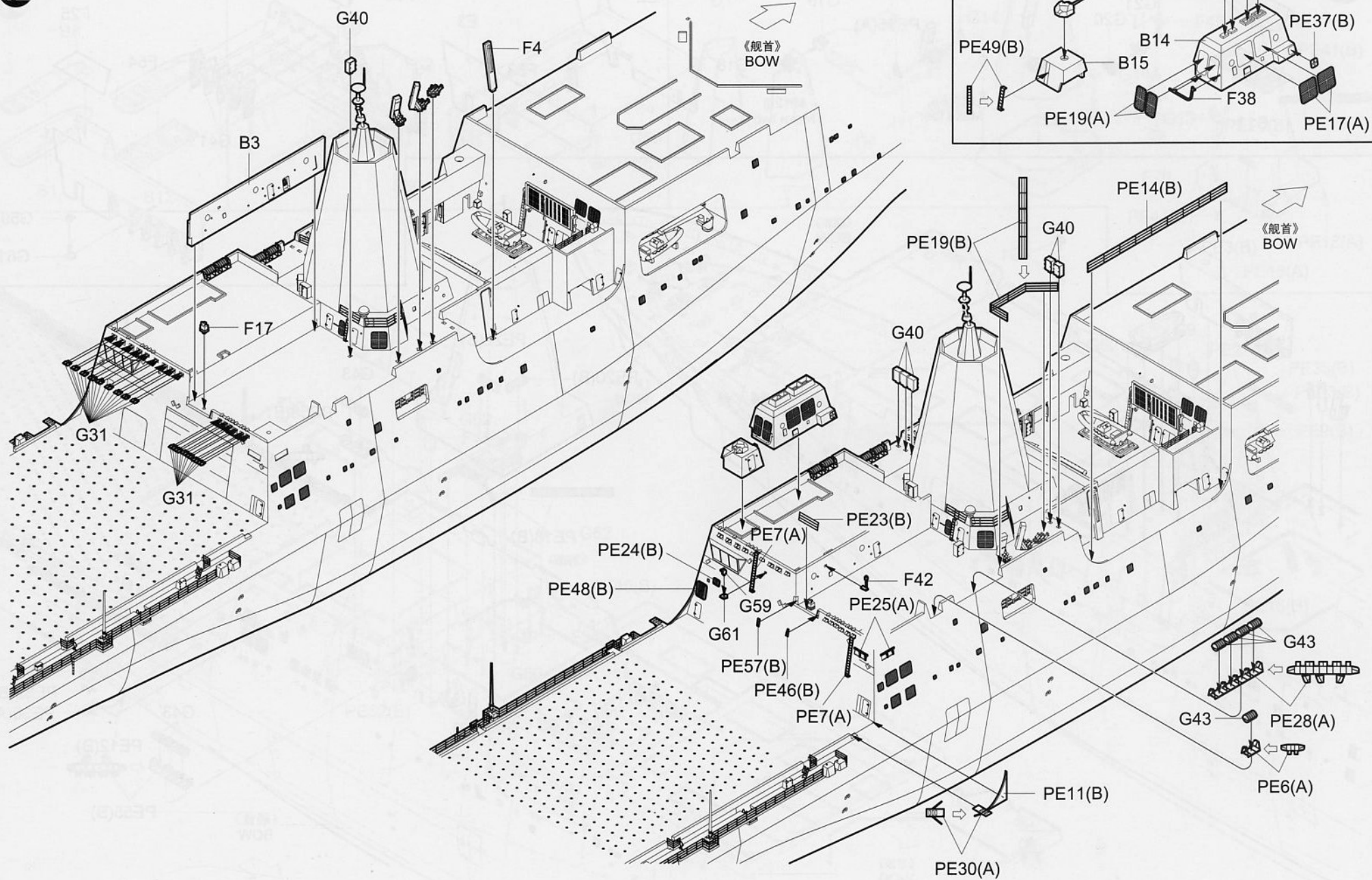
G59

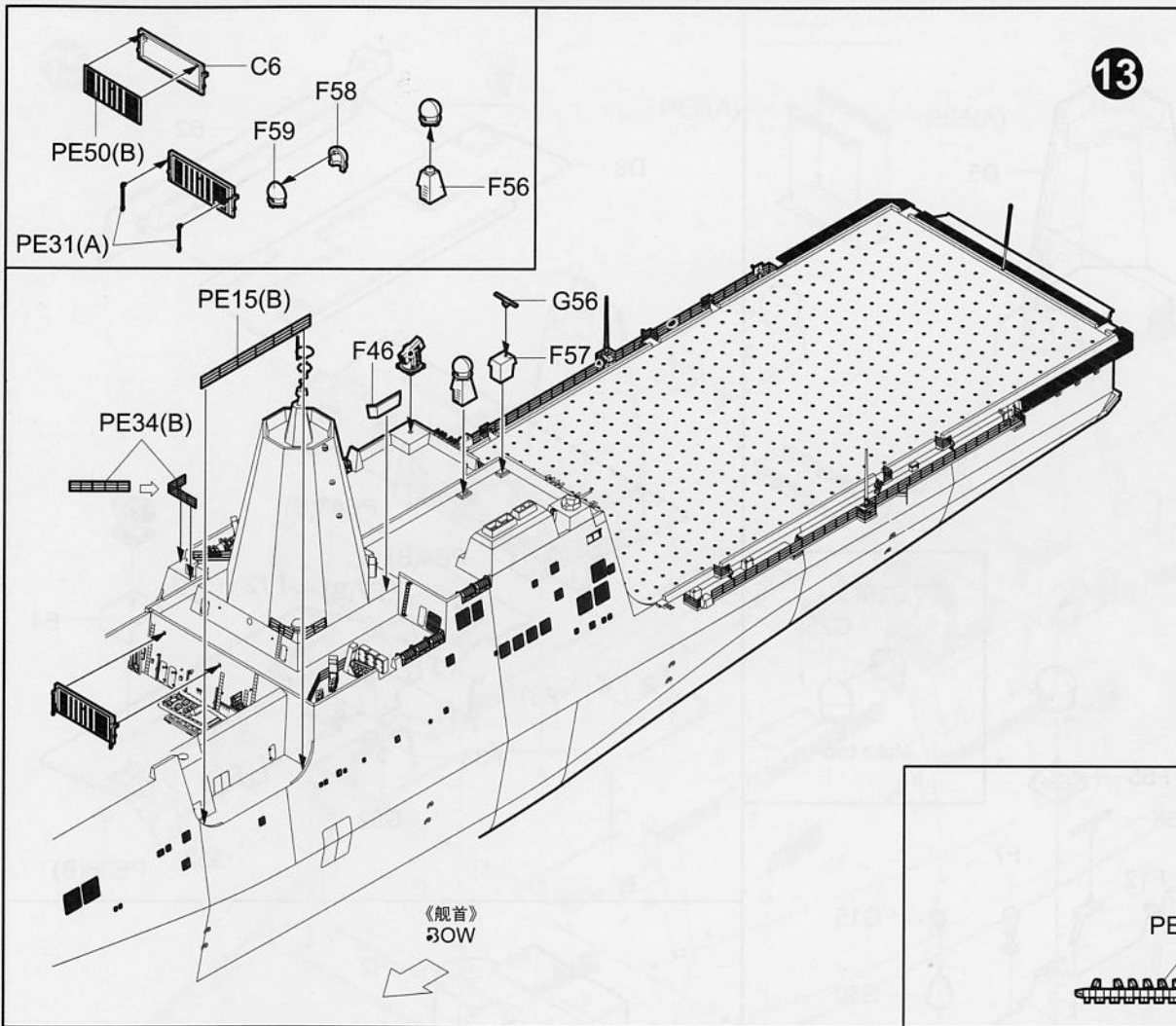
G61

《舰首》
BOW

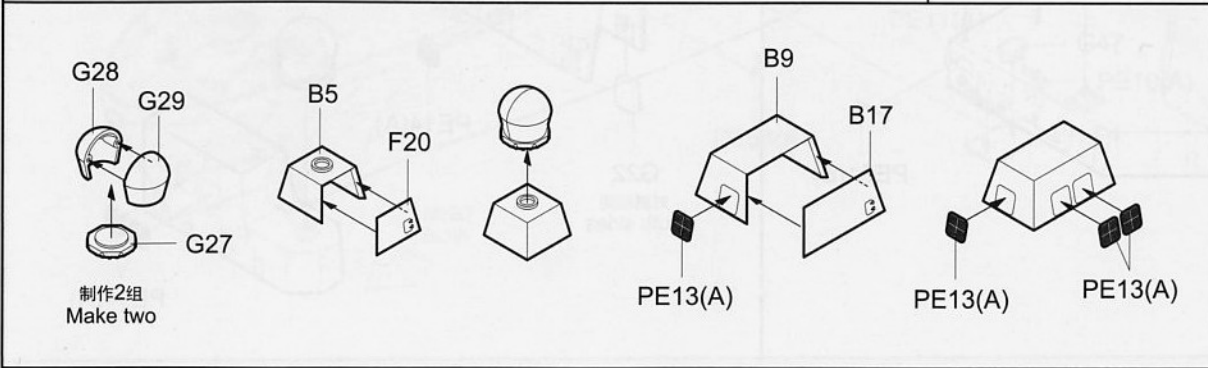
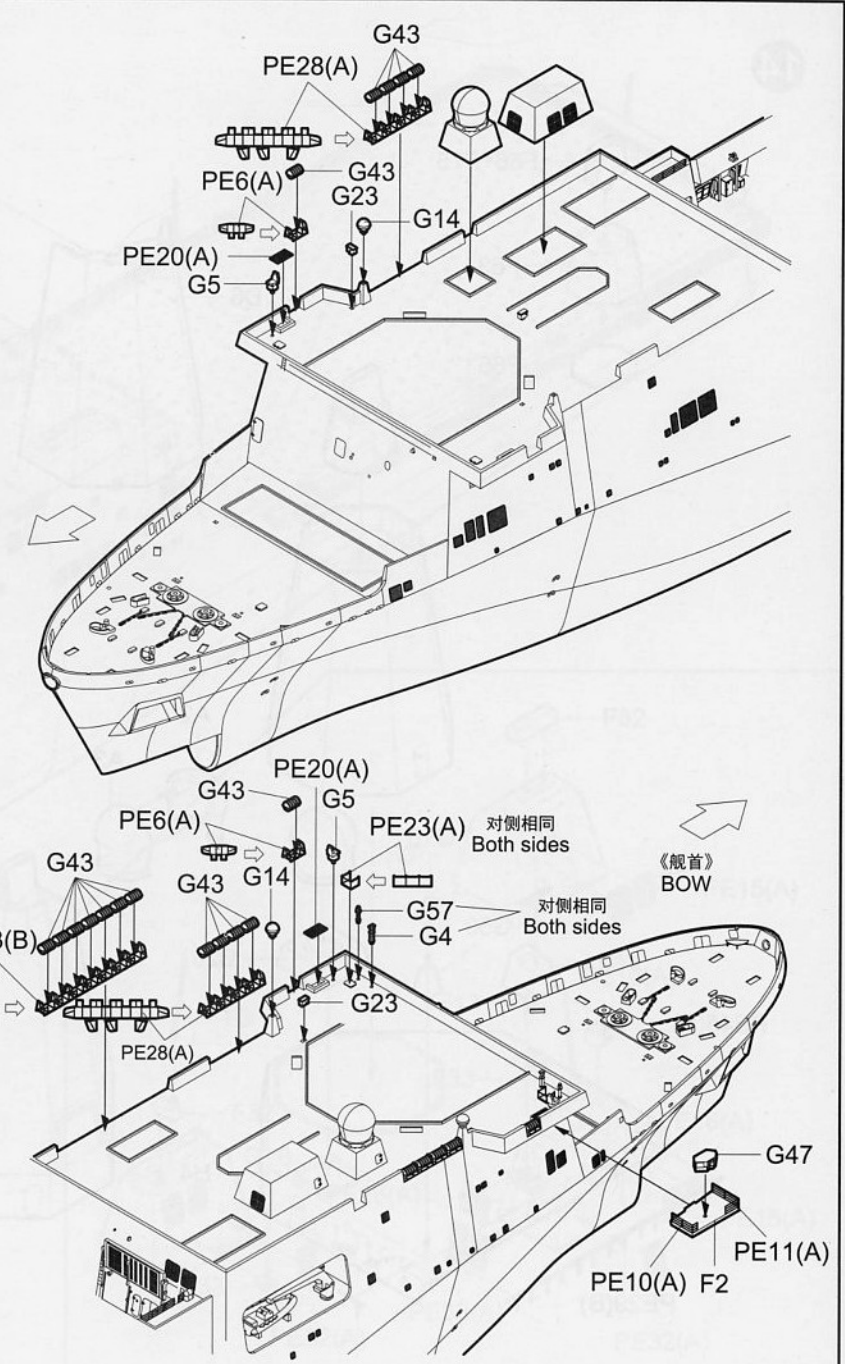


《舰首》
BOW

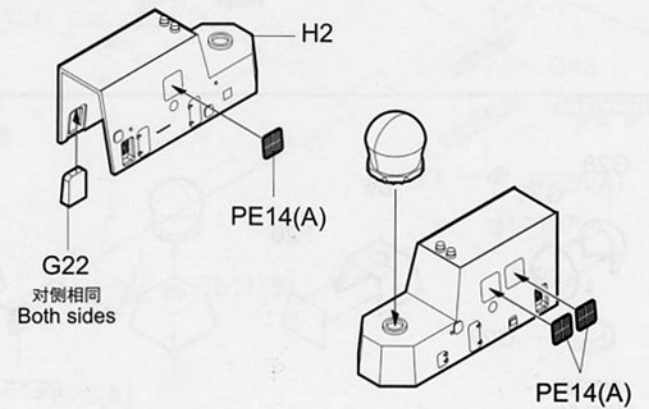
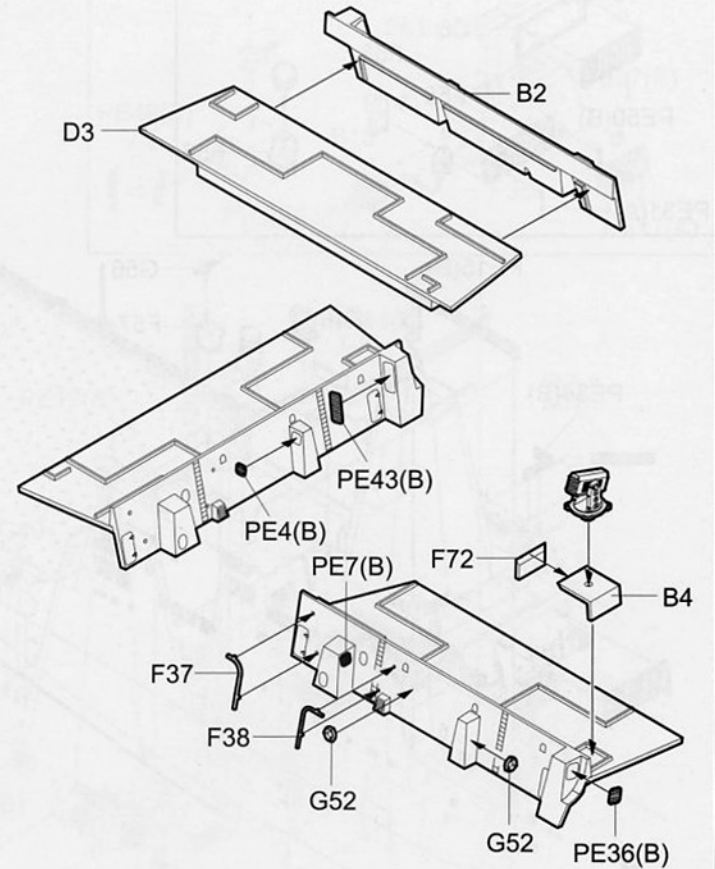
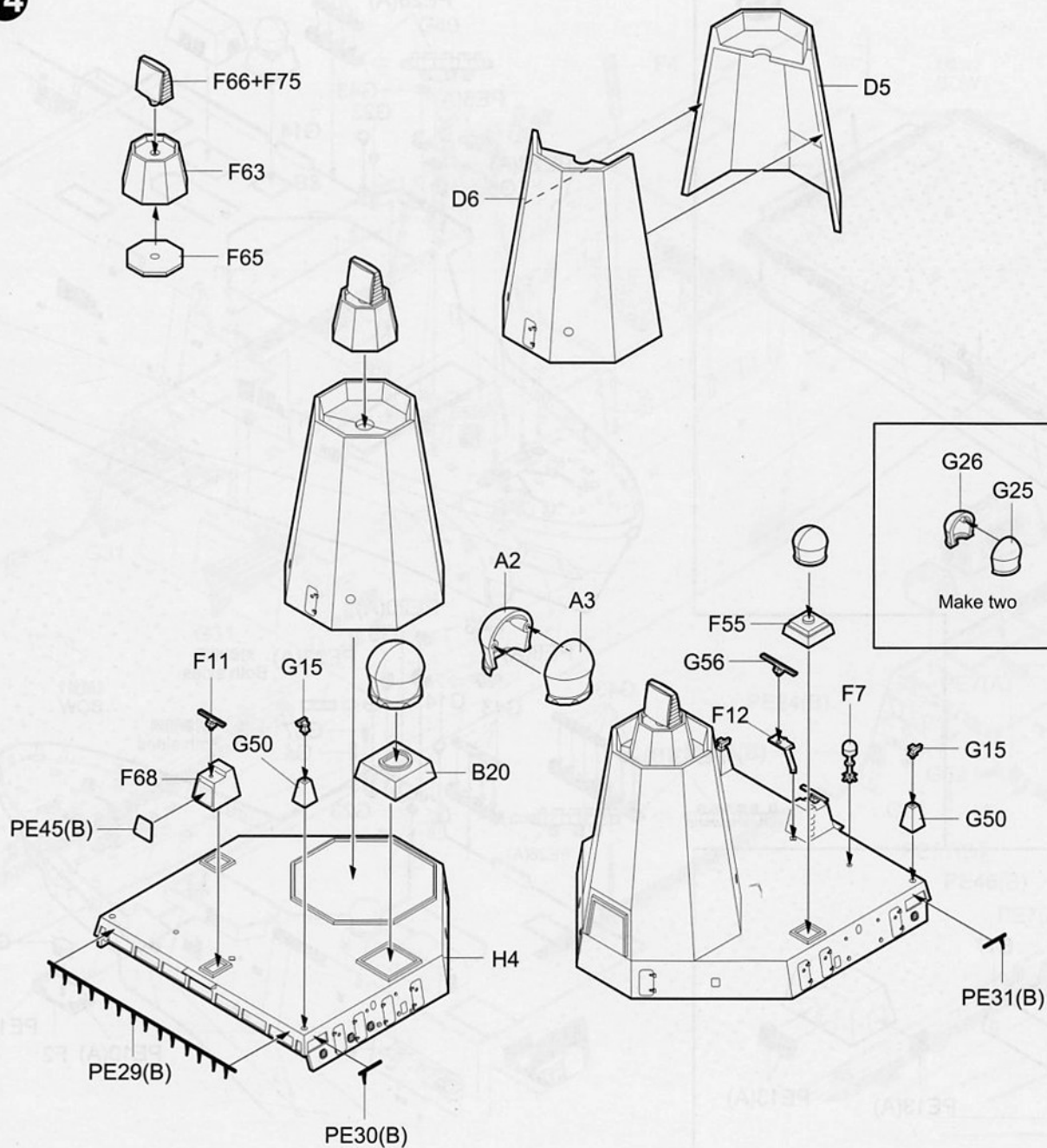


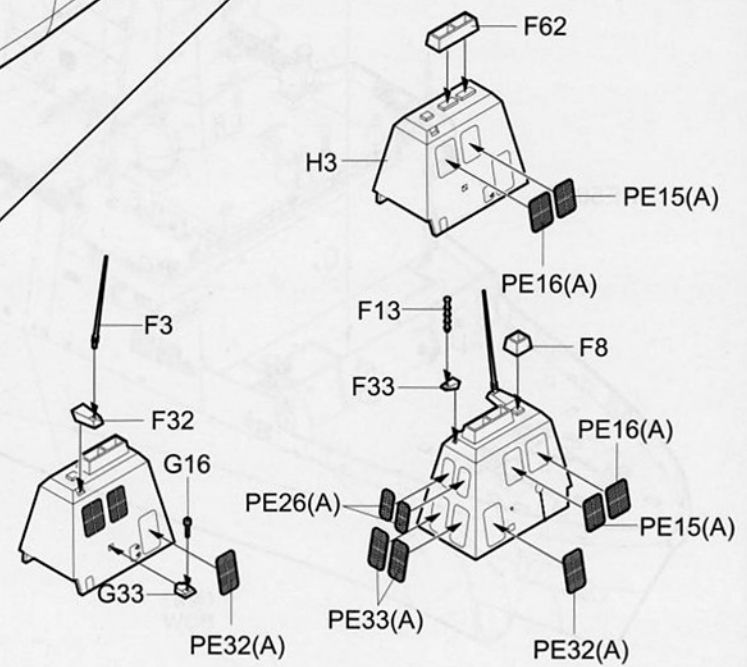
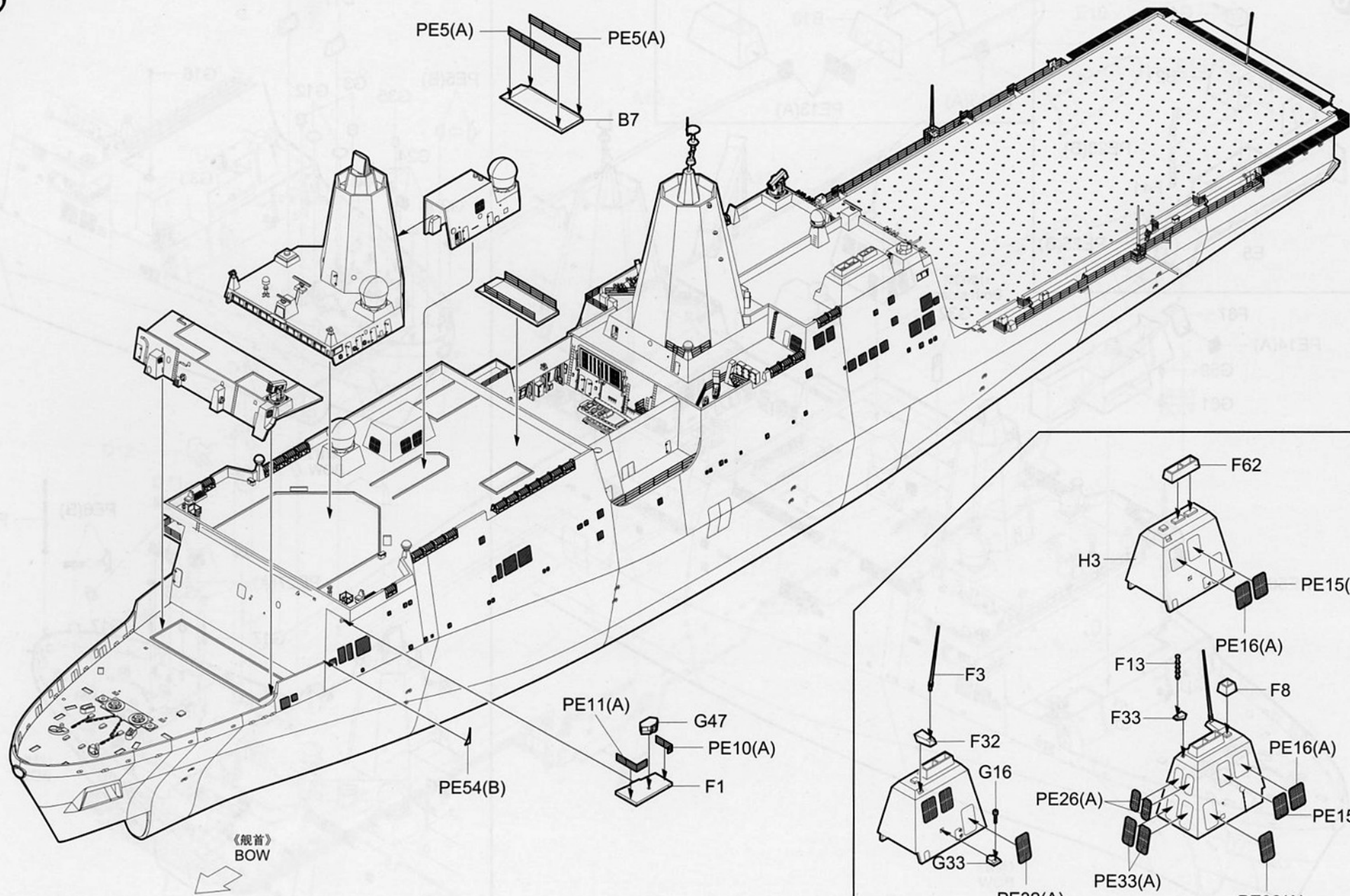


13

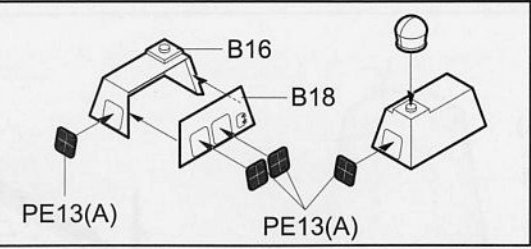
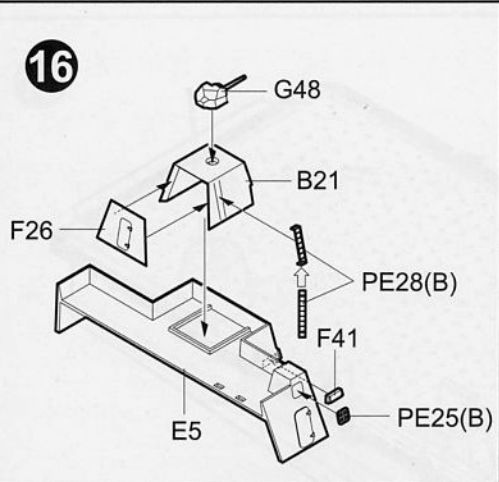


14

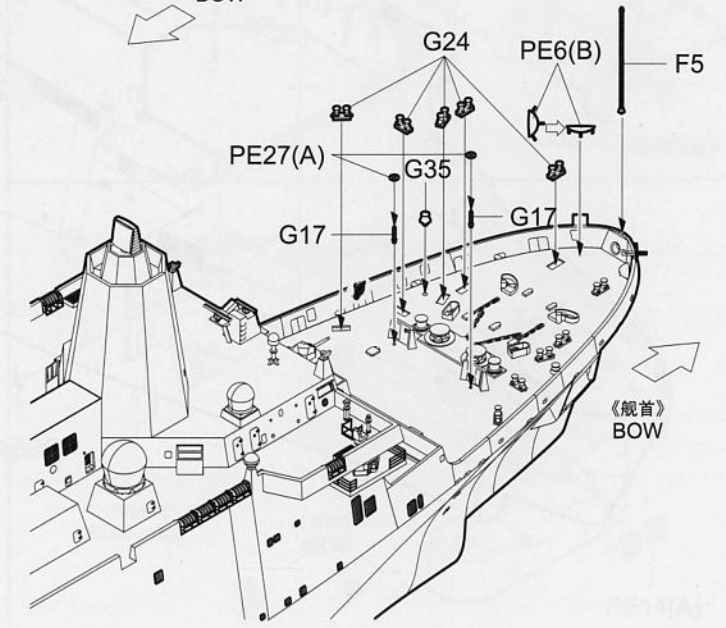
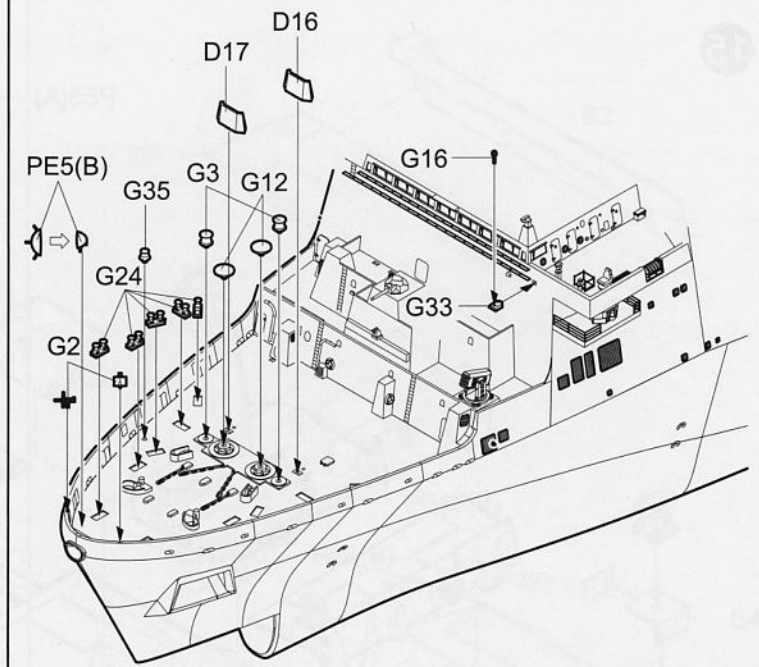
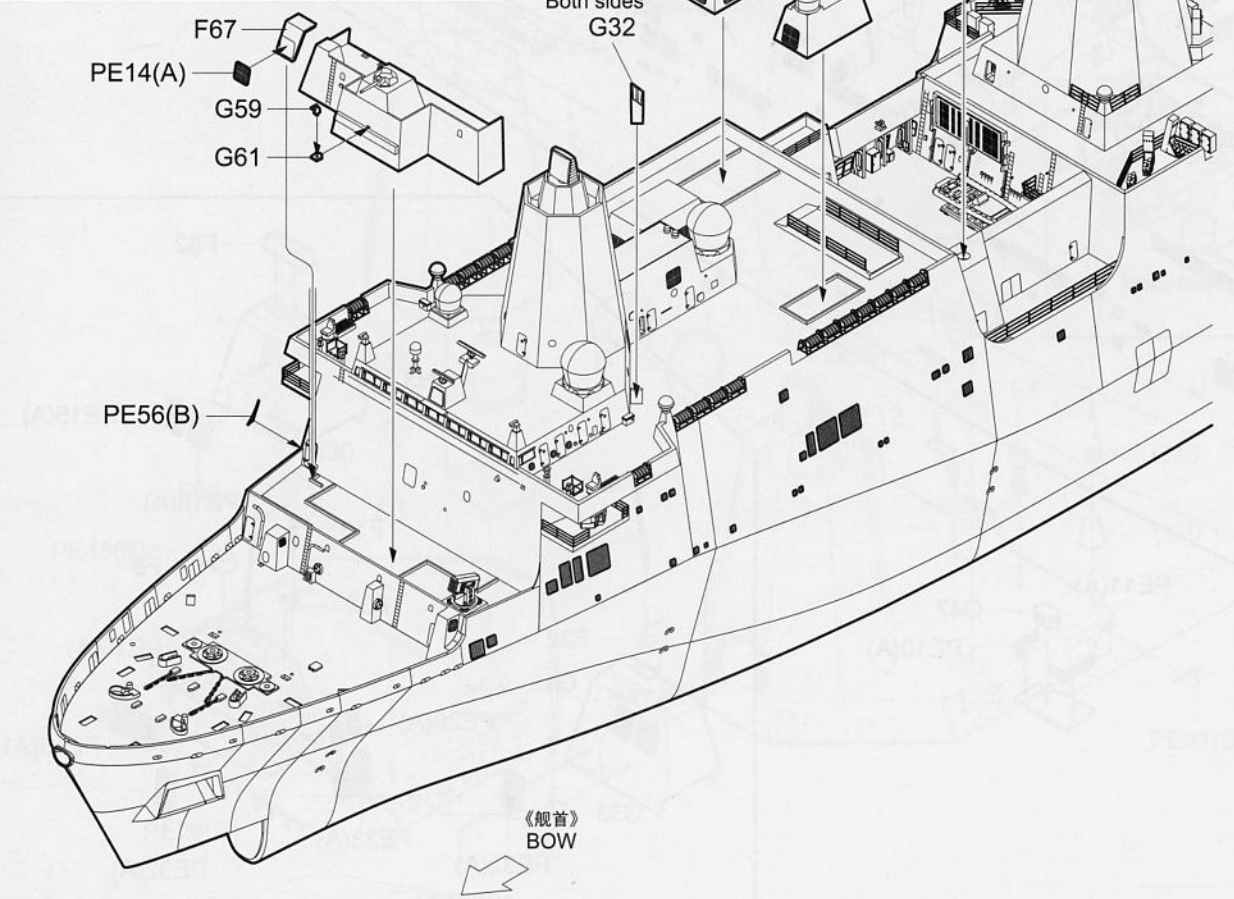




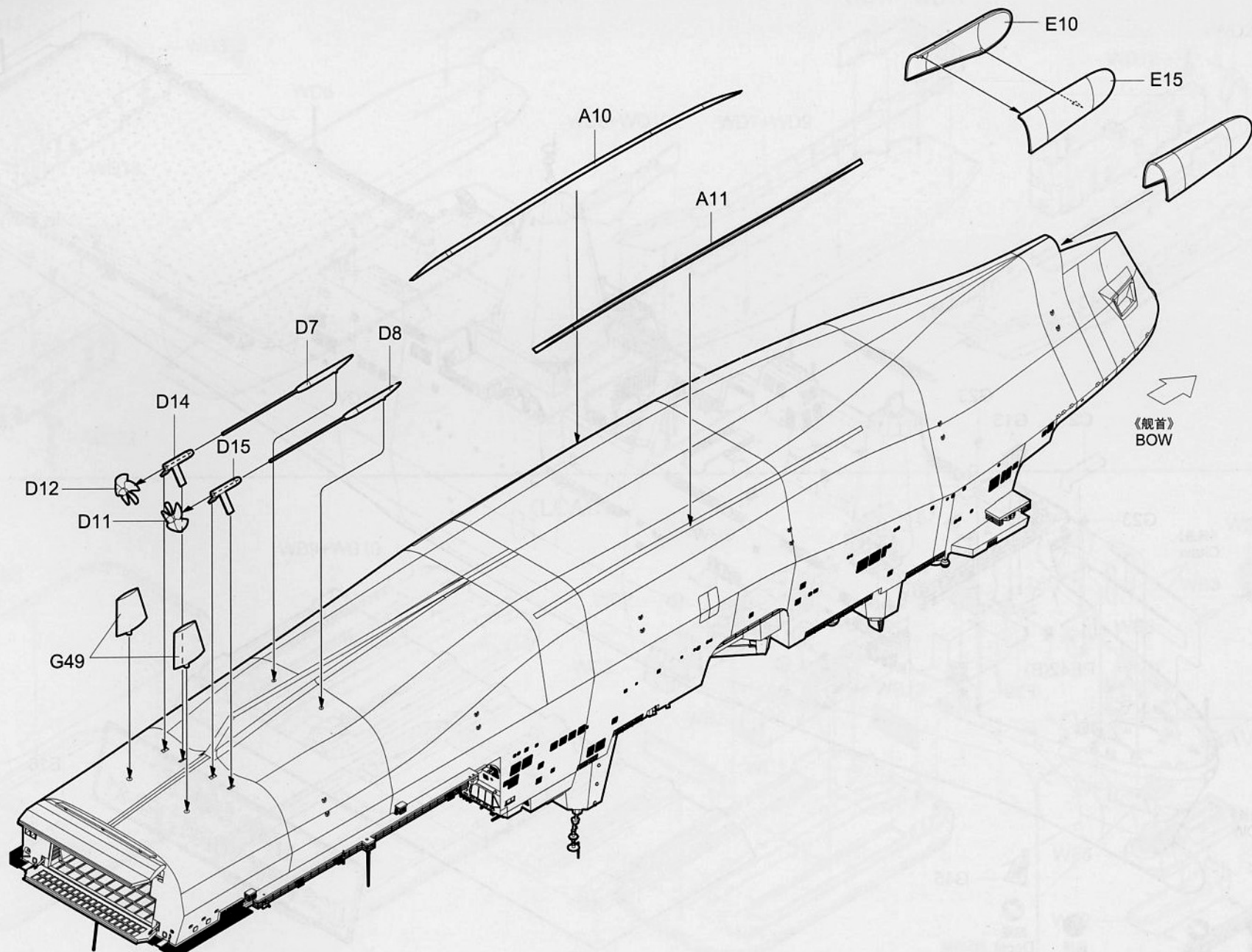
16



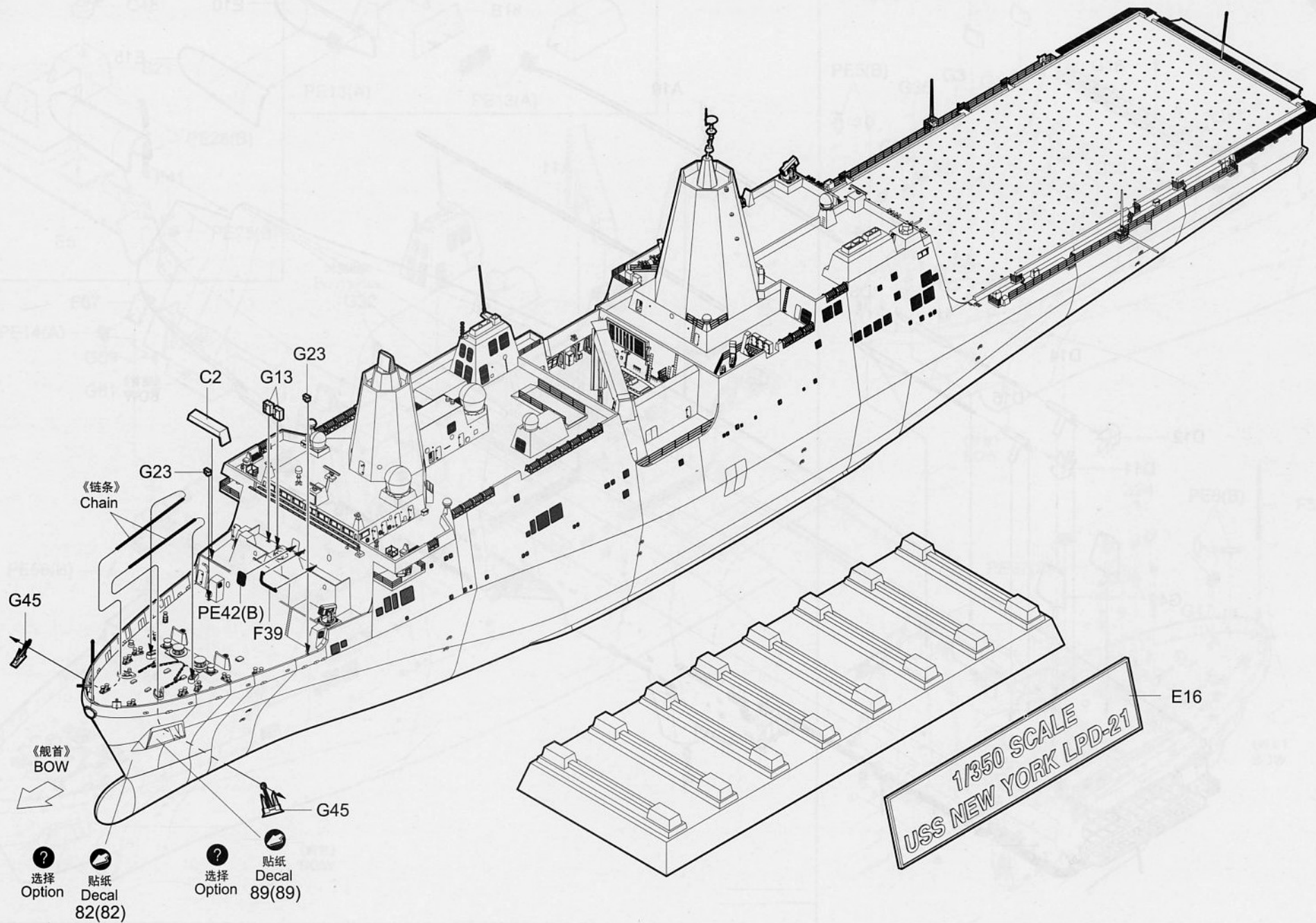
对侧相同
Both sides



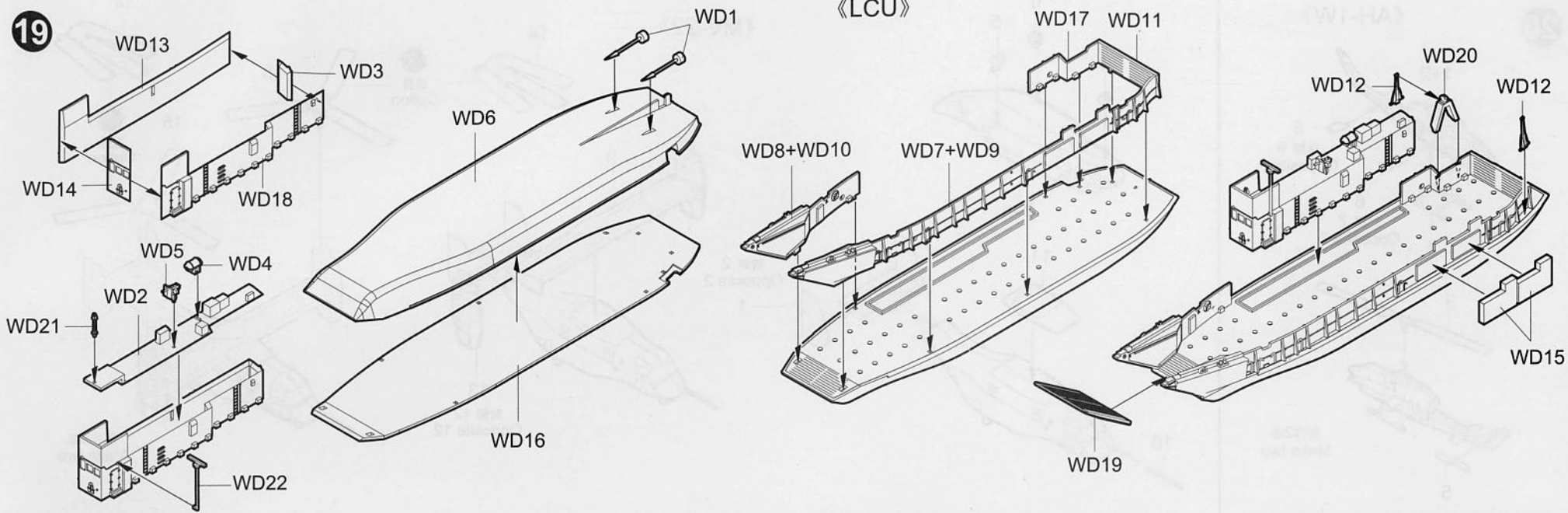
17



18

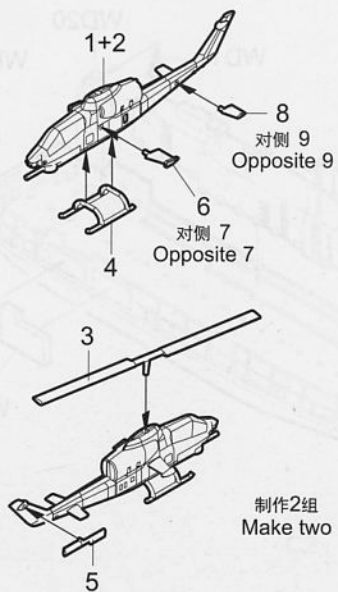


19

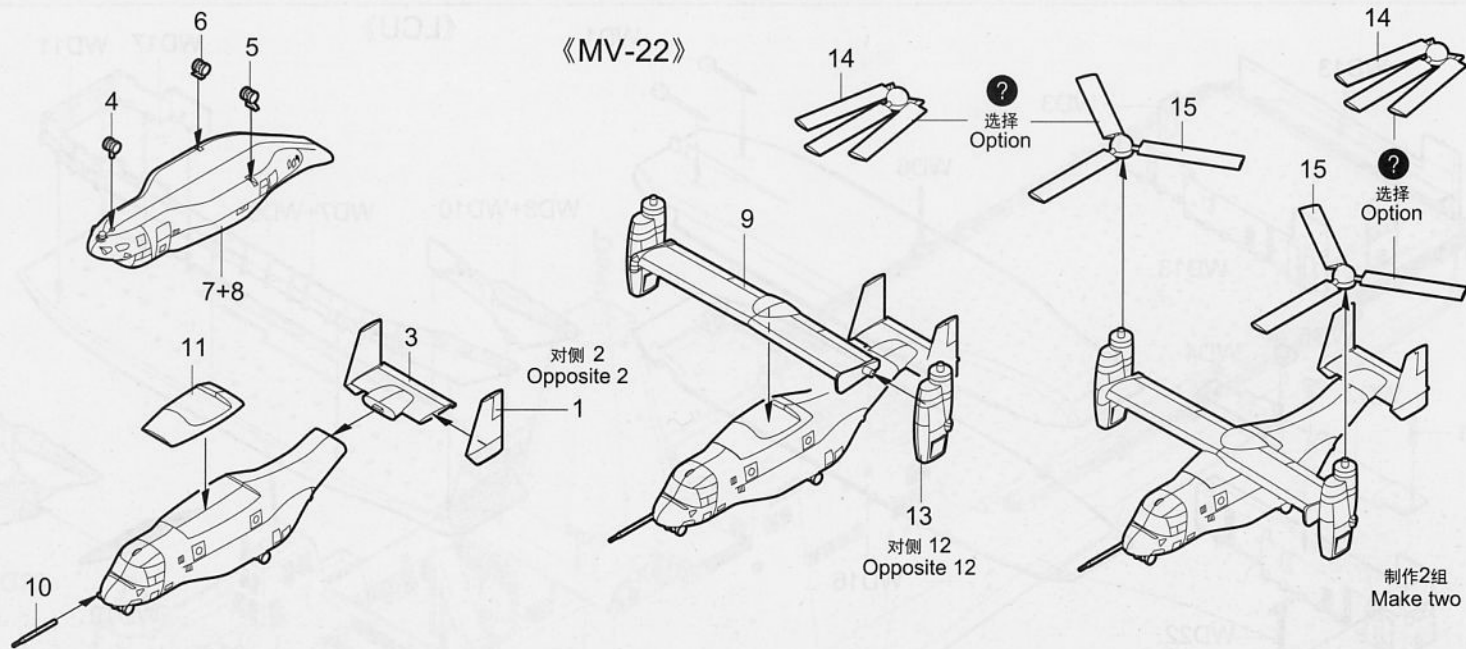


20

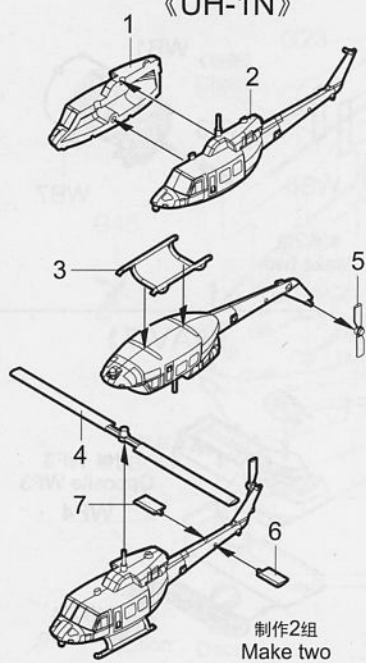
《AH-1W》



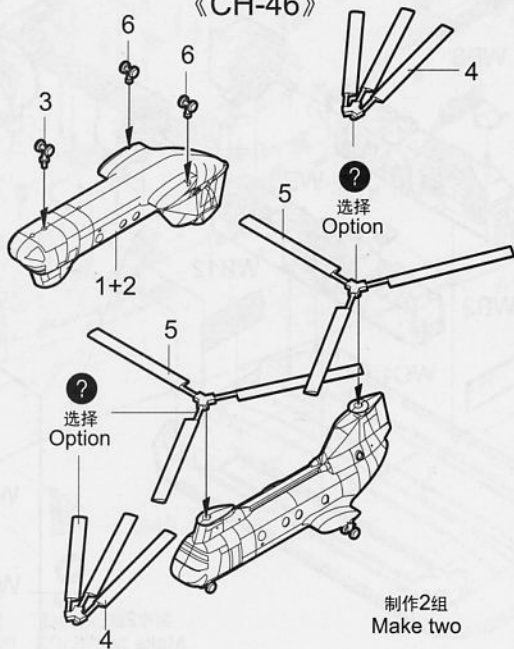
《MV-22》



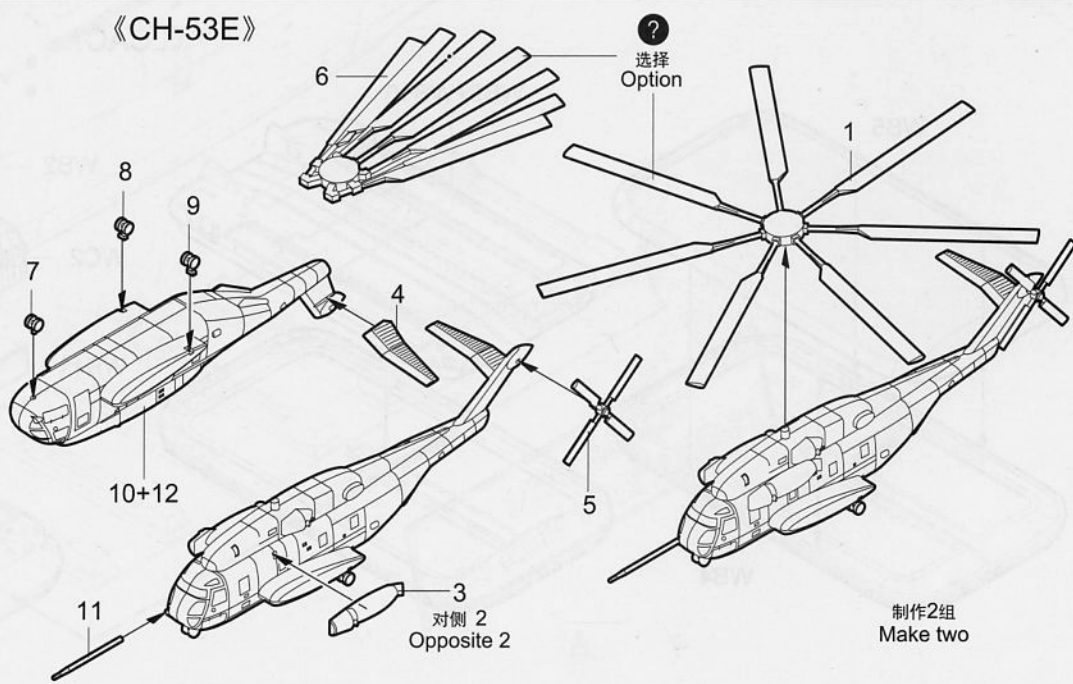
《UH-1N》



《CH-46》



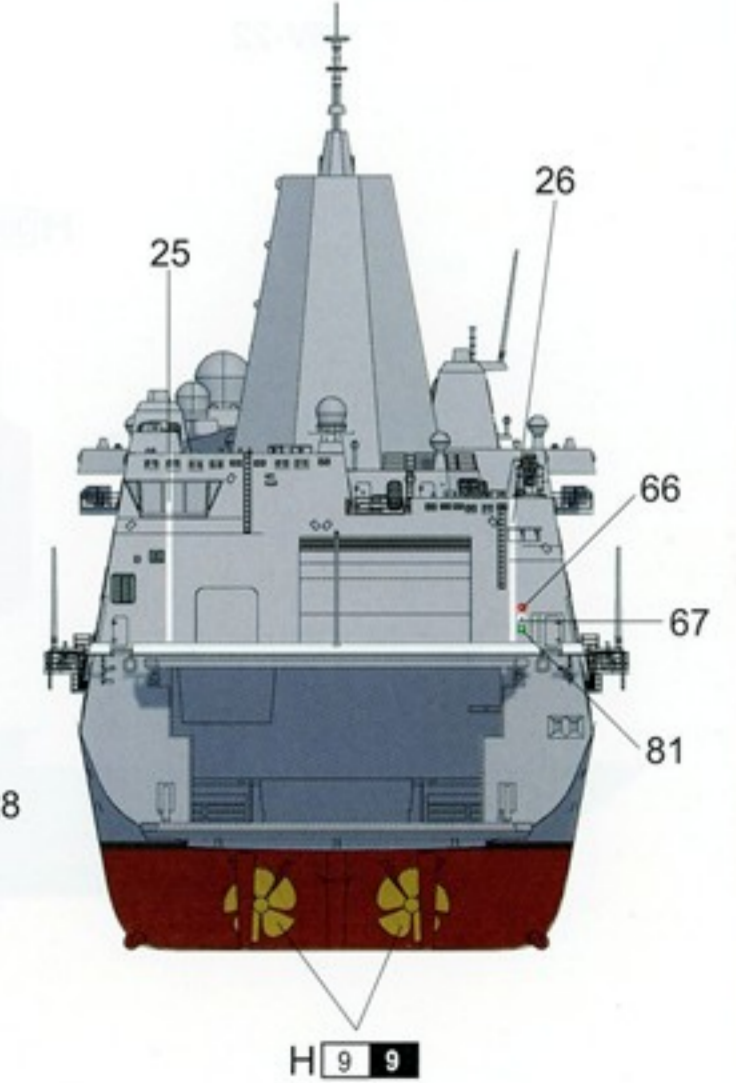
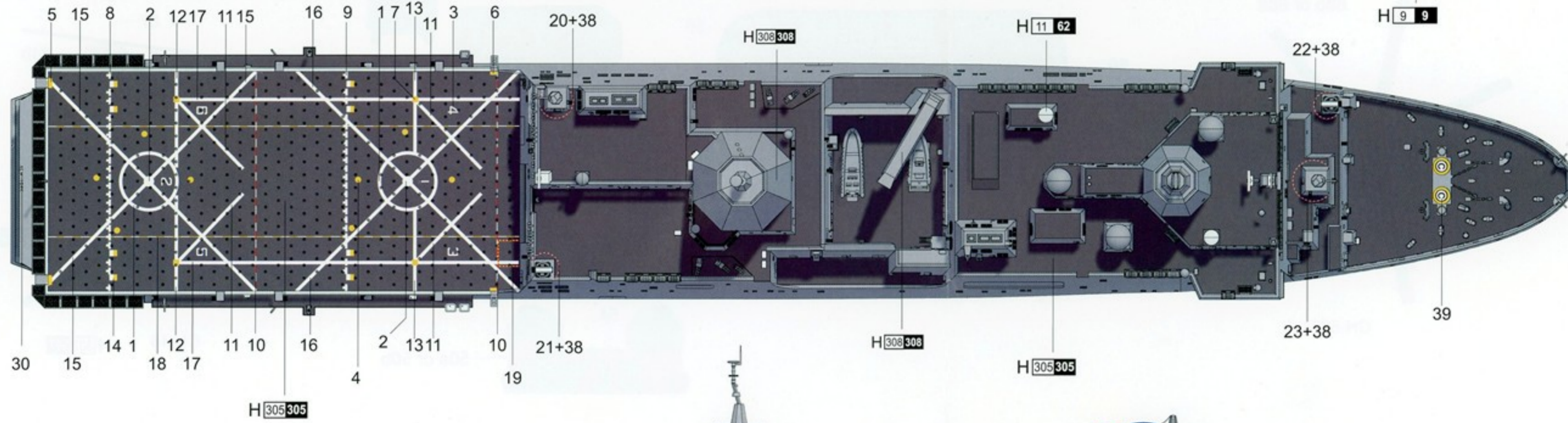
《CH-53E》



涂装同标贴指示 Painting & Marking guide

PAINT REFERENCE COLOR

Color	Mr.Hobby	Acrycion	Vallejo	Model Master	Tamiya	Humbrol
Gold 金色	H 9 9	N 9	878	1744	X12	16
Cocoa Brown 威底色	H 17 29	N 17	985	-	XF9	177
Flat Black 消光黑	H 12 33	N 12	950	1749	XF1	33
Medium Gunship Grey 灰色	H 305 305	N 305	868	1723	XF58	125
Flat White 消光白	H 11 62	N 11	951	1768	XF2	34
Gray 灰色	H 308 308	N 308	990	1728	XF19	127



H AQUEOUS HOBBY COLOR Mr. COLOR N ACRYSION COLOR

涂装同标贴指示 Painting & Marking guide

PAINT REFERENCE COLOR

Color	Mr.Hobby	Acrycion	Vallejo	Model Master	Tamiya	Humbrol	Color	Mr.Hobby	Acrycion	Vallejo	Model Master	Tamiya	Humbrol
Sandy Brown 沙褐色	H 19	N 843	1735	XF59	63	Gray 灰色	H 308 308	N 308	990	1728	XF19	127	
Yellow 黄色	H 4 4	N 953	1514	X8	69	Dark Compas Ghost Grey 灰色	H 307 307	N 307	-	1747	XF22	128	
Flat Black 消光黑	H 12 33	N 950	1749	XF1	33	Tire Black 胎黑色	H 77 137	N 77	-	-	XF85	-	
Medium Gunship Grey 灰色	H 305 305	N 868	1723	XF58	125	Wood Brown 木棕色	H 37 43	N 37	983	1701	-	186	
Flat White 消光白	H 11 62	N 951	1768	XF2	34	Medium Grey Green 绿色	H 312 312	N 312	-	1716	-	120	

B



H AQUEOUS HOBBY COLOR Mr. COLOR N ACRYSION COLOR