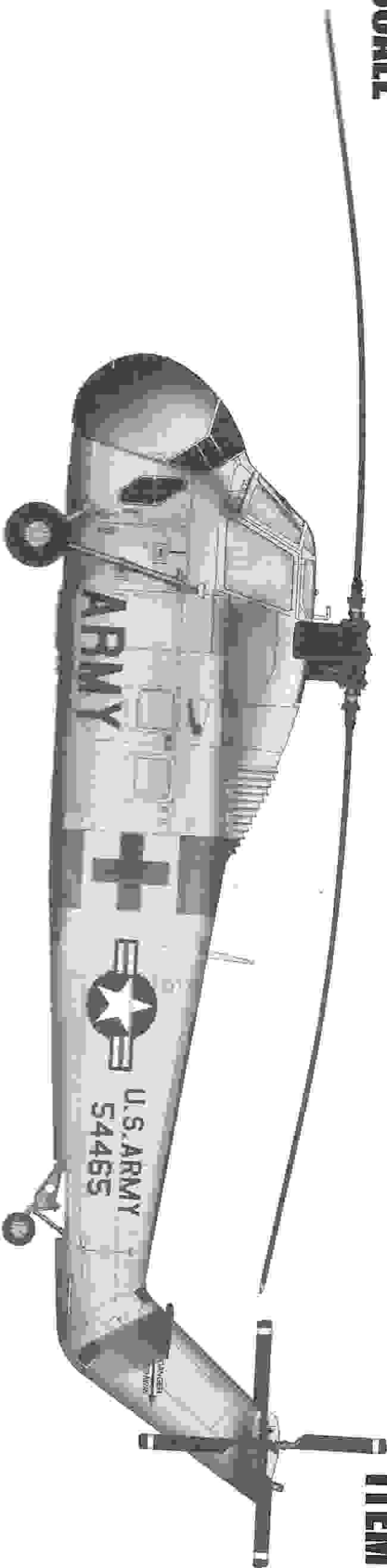


1/48 SCALE

ITEM NO.:02883



CH-34 US ARMY RESCUE

美国CH-34直升机-陆军救援

READ BEFORE ASSEMBLY:

- This kit is not recommended for inexperienced modelers or for children under 14 years of age
 - Study and understand these instructions thoroughly before beginning assembly
 - When needed, remove photo-etch parts carefully using a modeling knife or photo etch sprue cutter, being careful not to damage or lose small parts.
 - Take extra care in handling photo etch parts in order to avoid injury
 - Apply instant cement sparingly to photo etch parts where instructed
- * 说明书中含有重要信息，应保留。 Please Keep instruction since it contains important information.**

水贴纸的使用:











1. 从水贴纸上剪下印花;
2. 将印花放入温水中浸10秒, 然后放在干净布上.
3. 拿着印花纸版将印花移到模型上;
4. 手指蘸水将印花移到适当的位置;
5. 用软布轻压印花直至水干, 汽泡消失.

DECAL APPLICATION:

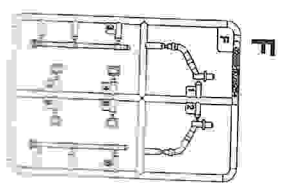
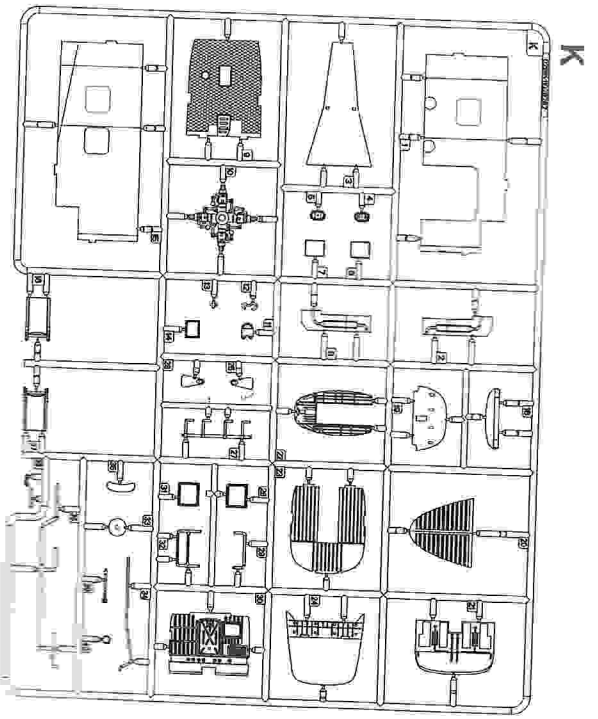
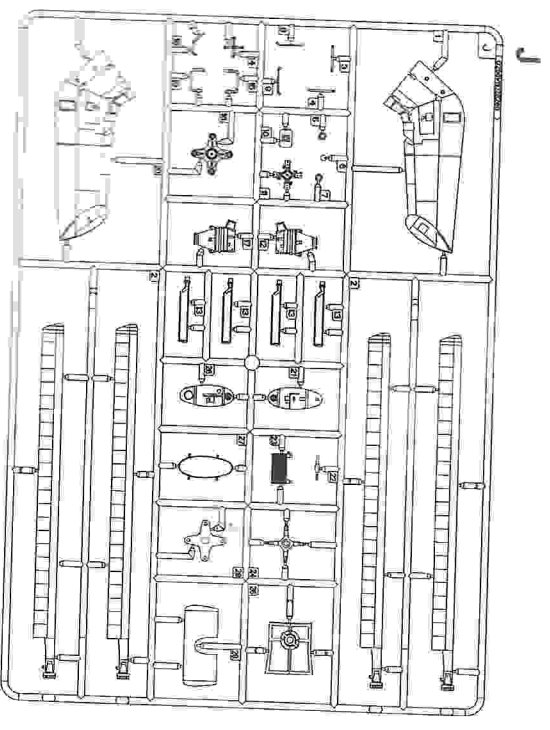
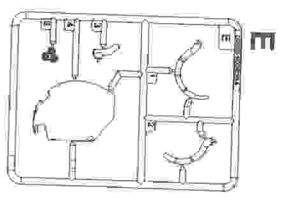
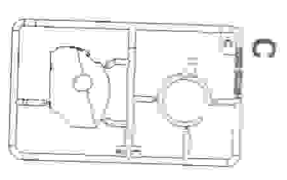
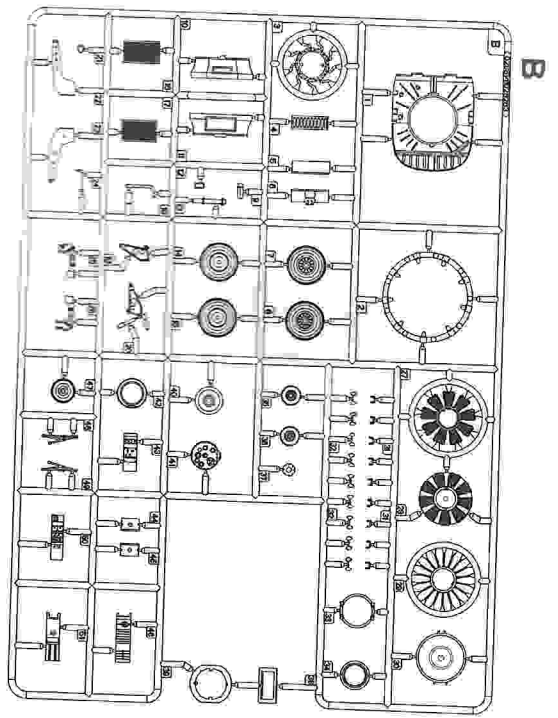
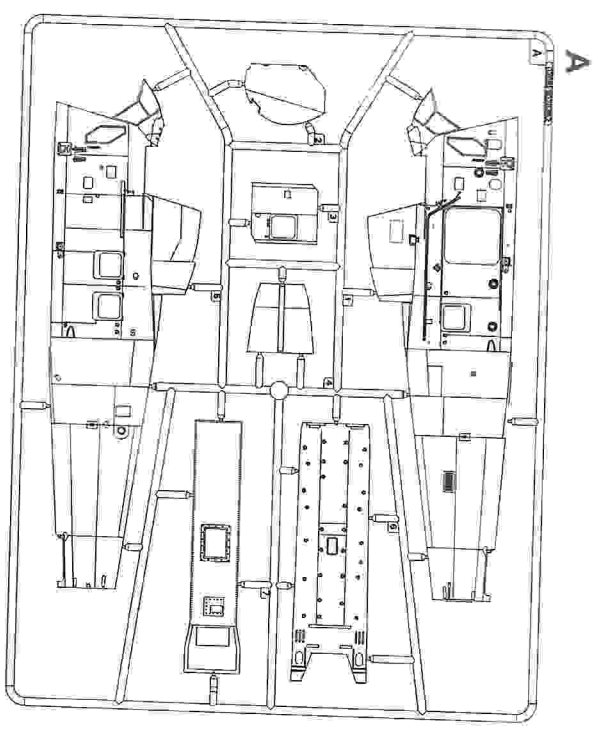
1. Cut decals from sheet as needed
2. Dip the decal in warm water for about 10 seconds and then place on soft clean cloth.
3. Hold the decal backing sheet edge and gently slide the decal onto the model in its proper position.
4. While still wet, decal can be adjusted for better fit on model by dampening it gently with your finger.
5. When placed in the proper position, gently press decal down with a soft cloth until excess water and air bubbles are gone.
6. Allow decal to dry completely before handling model

装配之前仔细阅读

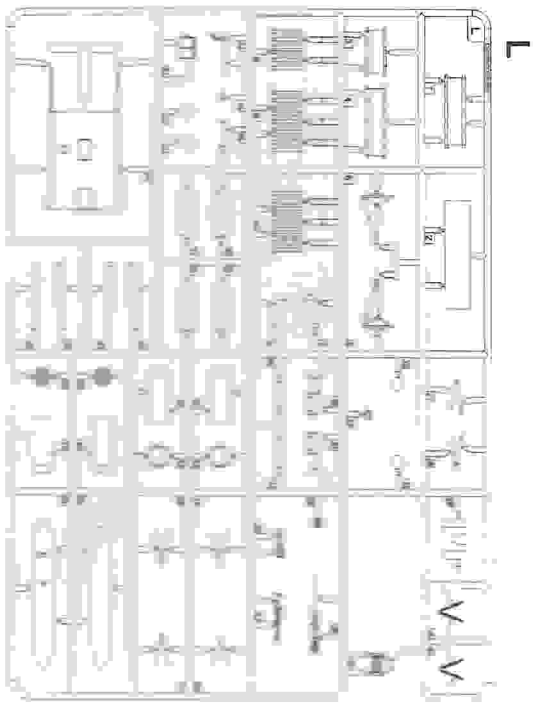
- 小心用模型锉刀锉平所有零件表面的注射流口。
- 小心用刀片切下蚀刻片零件, 不要遗失小零件。
- 用强力快干胶水粘合蚀刻片零件和金属轴。过量的快干胶水使用可能导致可动零件会粘住, 小心涂胶。
- 取蚀刻片时应特别注意安全, 防止利刃划伤手指。
- 某些零件表面需贴上火贴纸, 请选择在装配的同时进行。
- 推荐模型工具(自备): 胶水, 水口剪刀, 长嘴钳, 刀片, 锉刀, 镊子钳, 钻, 剪刀, 瞬间快干胶。
- 软布同砂纸同时也是所需工具。
- 请使用塑料胶水和油漆, 模型内不含。
- 谨防小孩吸吮塑料零件, 或者将塑料袋套在头上, 制作时应将套材远离小孩接触。
- 本产品不适合14岁以下没有经验的模型爱好者。

	使用强力胶 Cyanacrylate glue		重量 Weight		钻孔 Make hole		切除 Cut / Remove		先装 Install it first
	磨快 File / Sand		选择 Option		不要放水 No cement		弯曲 Bend		填补 Repair

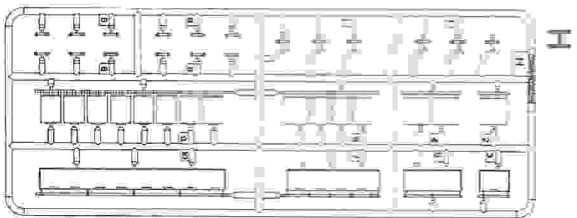
部品图
Parts



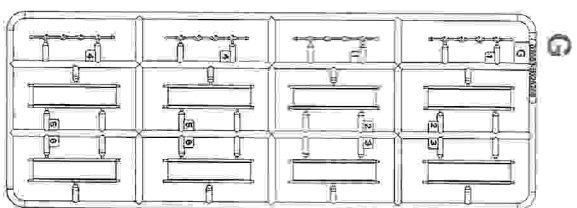
部品图
Parts



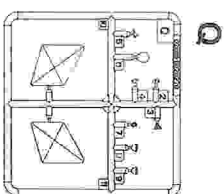
L



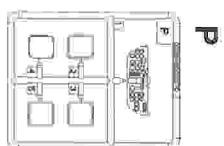
H



G



Q



P

《蚀刻片》A
Photo etched part(P)A



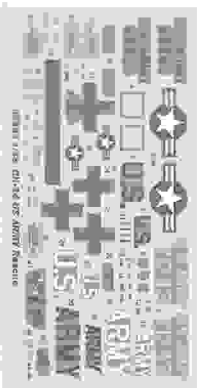
《蚀刻片》B
Photo etched part(P)B



《树脂盖》
Canopy



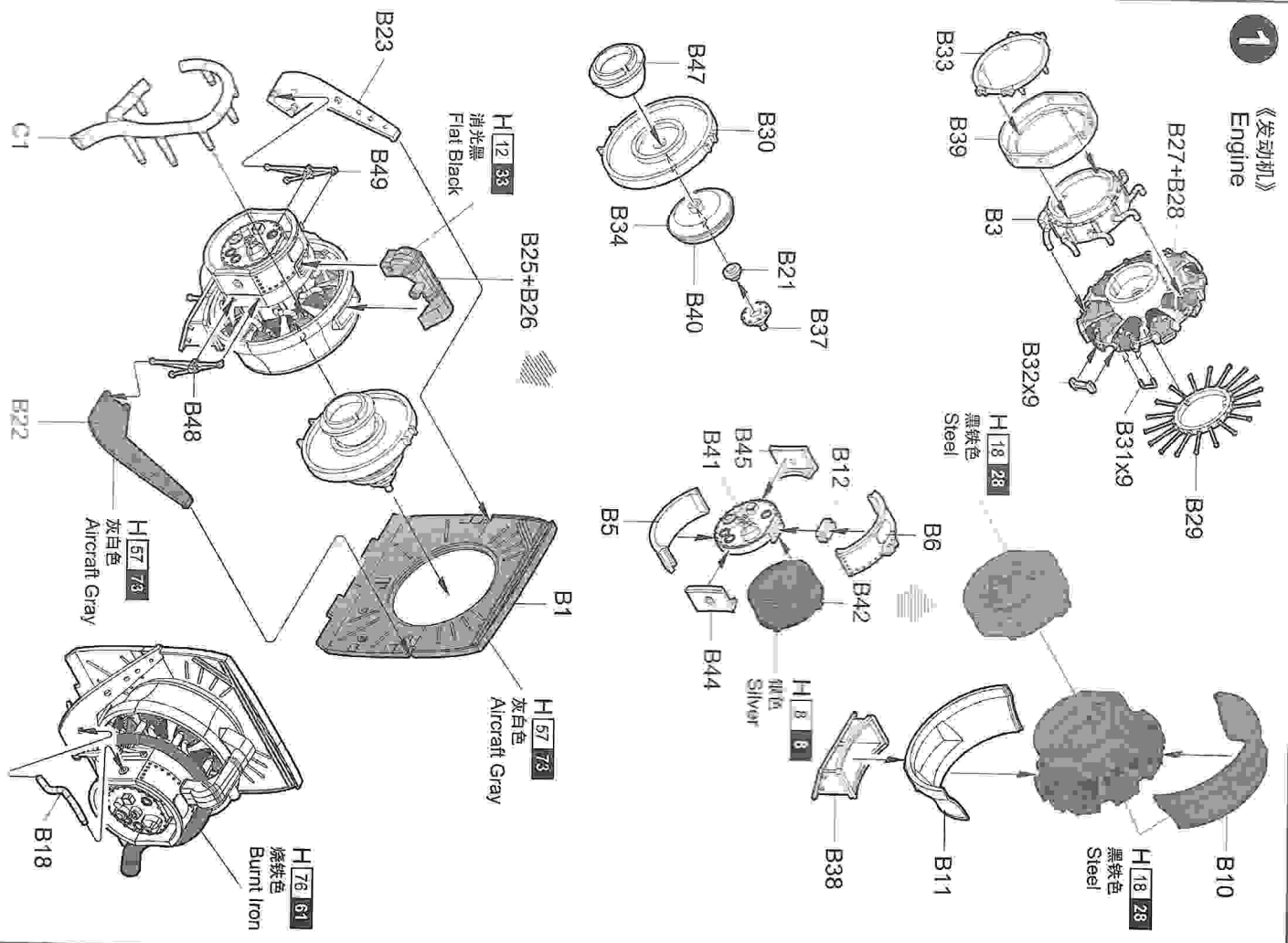
《水贴》
Decal



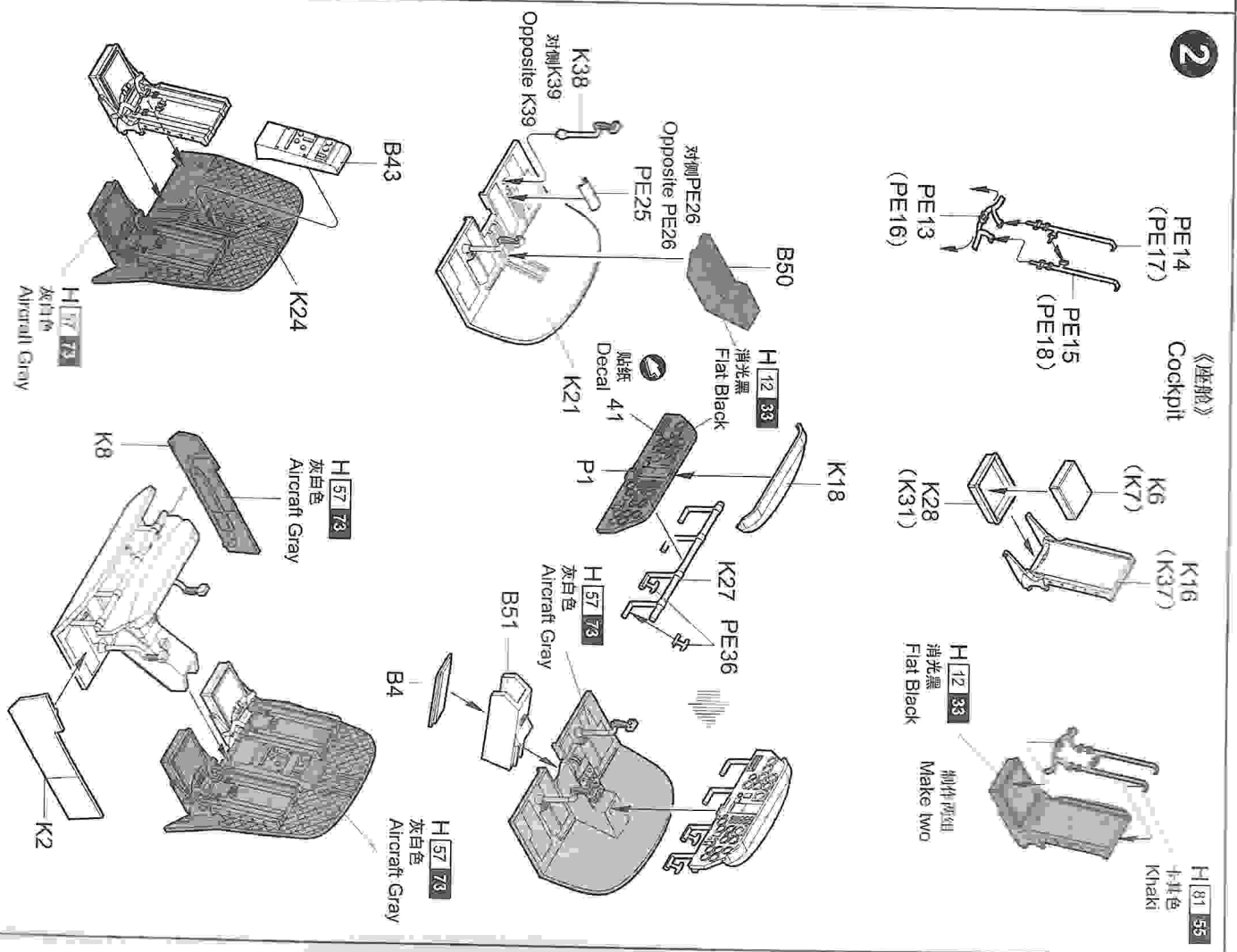
不用的部件: B2 B9 B13 B16 C2 E1 E2 E3 E4 E5 Q2 Q4 Q8 Q9
Unused parts: L2 L5 L6 L7 L11 L12 L14 L15 L16 L17 L18 L20
L21 L22 L23 L24 L25 L26 L29 L30 L31 L32 L33
L34 L38 L40 L41 L42 L43 L44 L45 L46 L49 L50
L51 K32 K34 K36 PE3 PE4 PE5 PE6 PE7 PE8
PE9 PE10 PE11 PE12 PE19 PE23 PE24 PE31
PE32 PE33 PE34 PE35 PE51 PE57

1

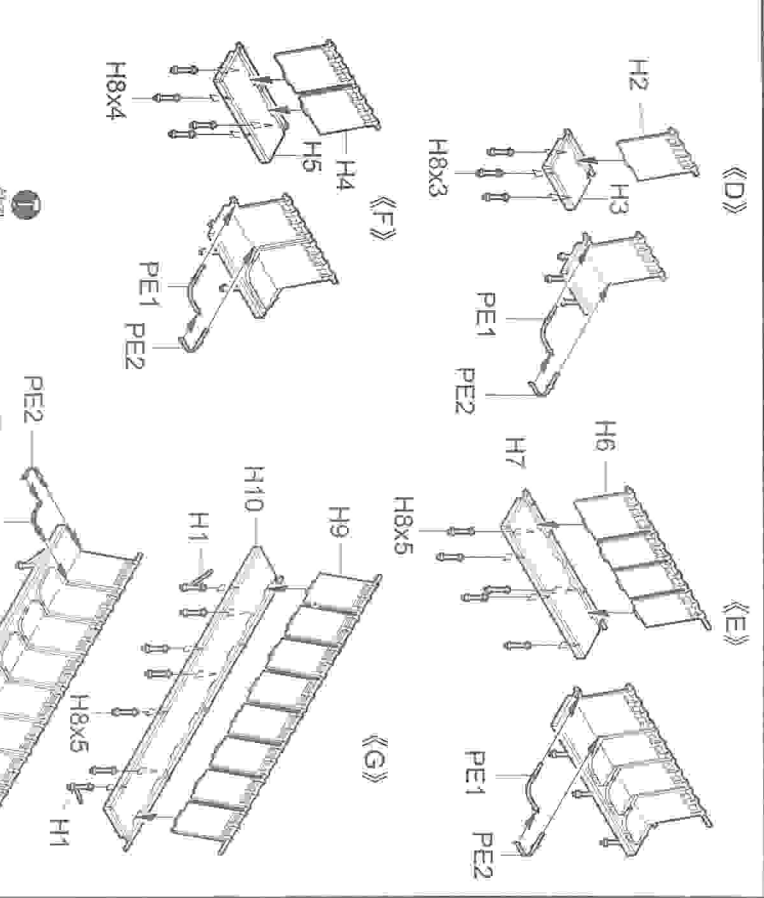
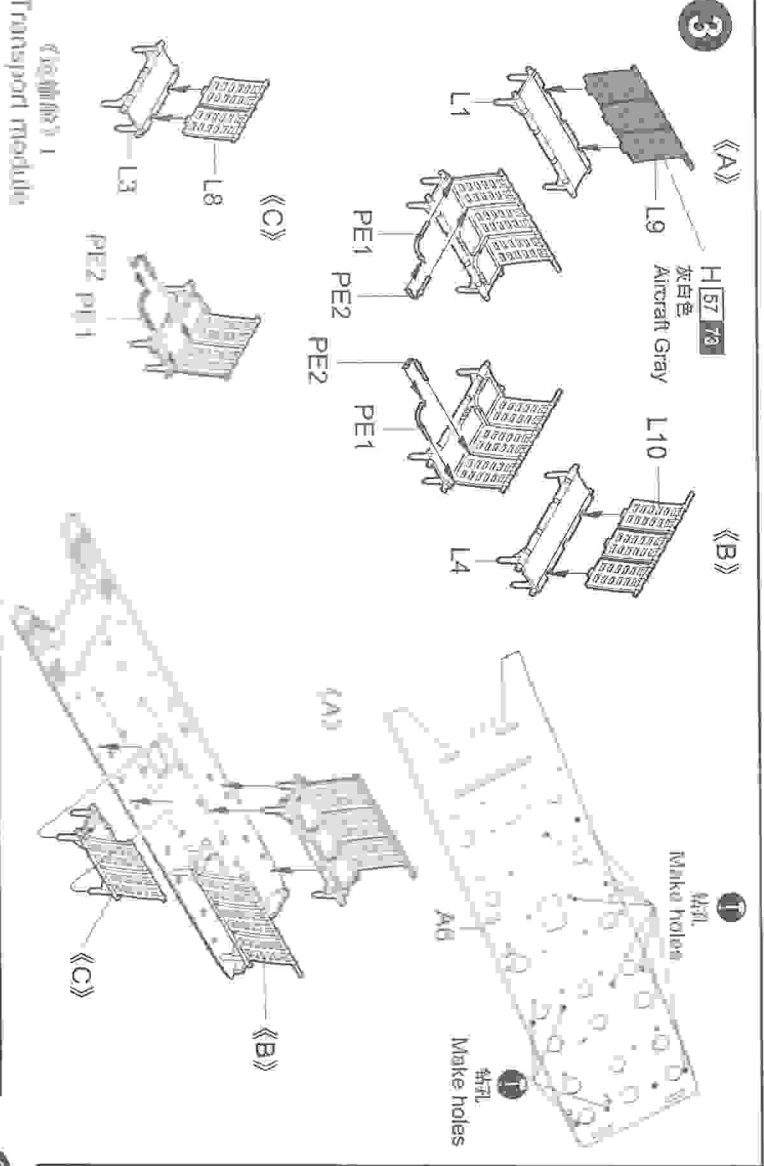
1 《发动机》
Engine



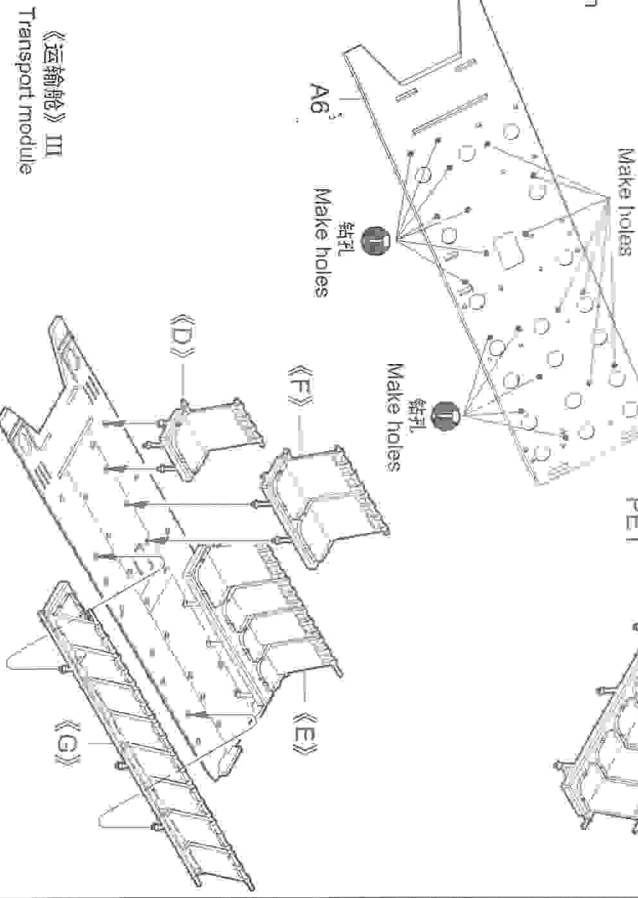
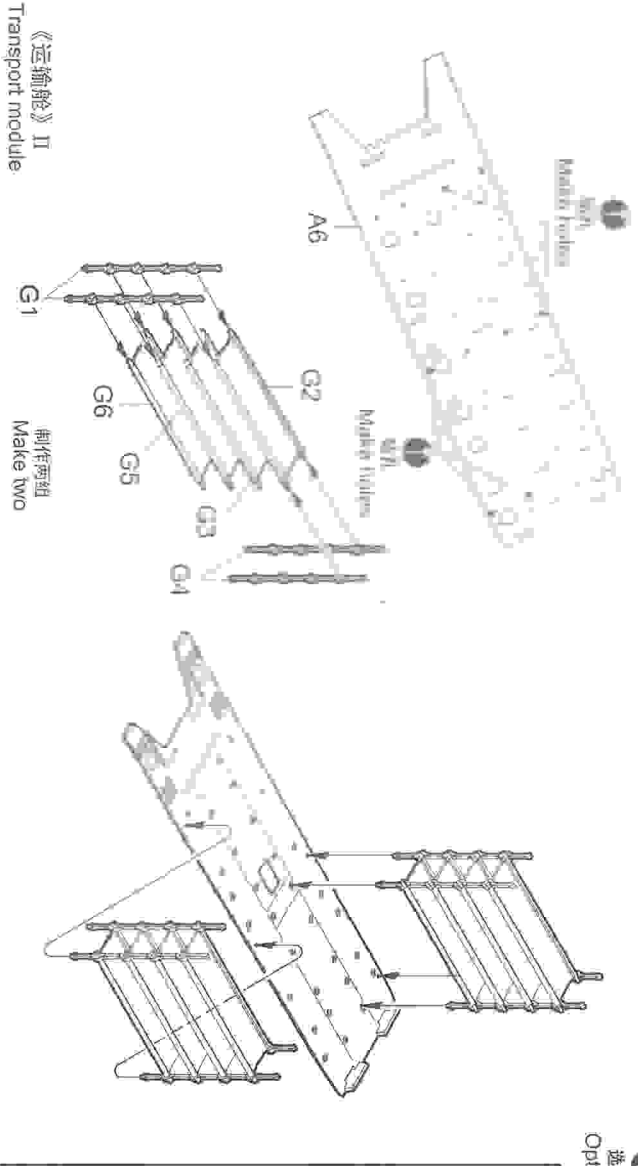
2 《座舱》
Cockpit



3

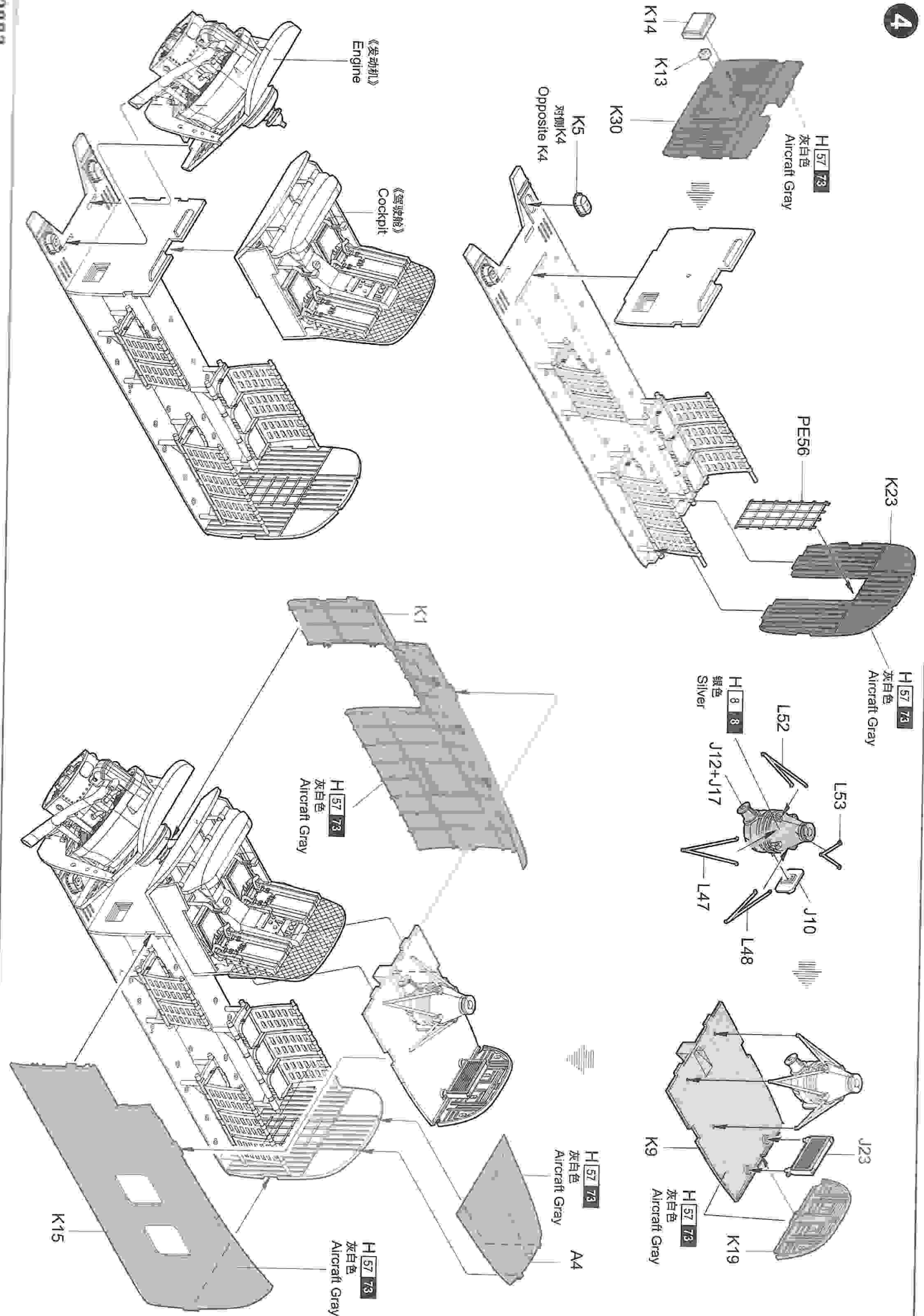


2 选择 Option

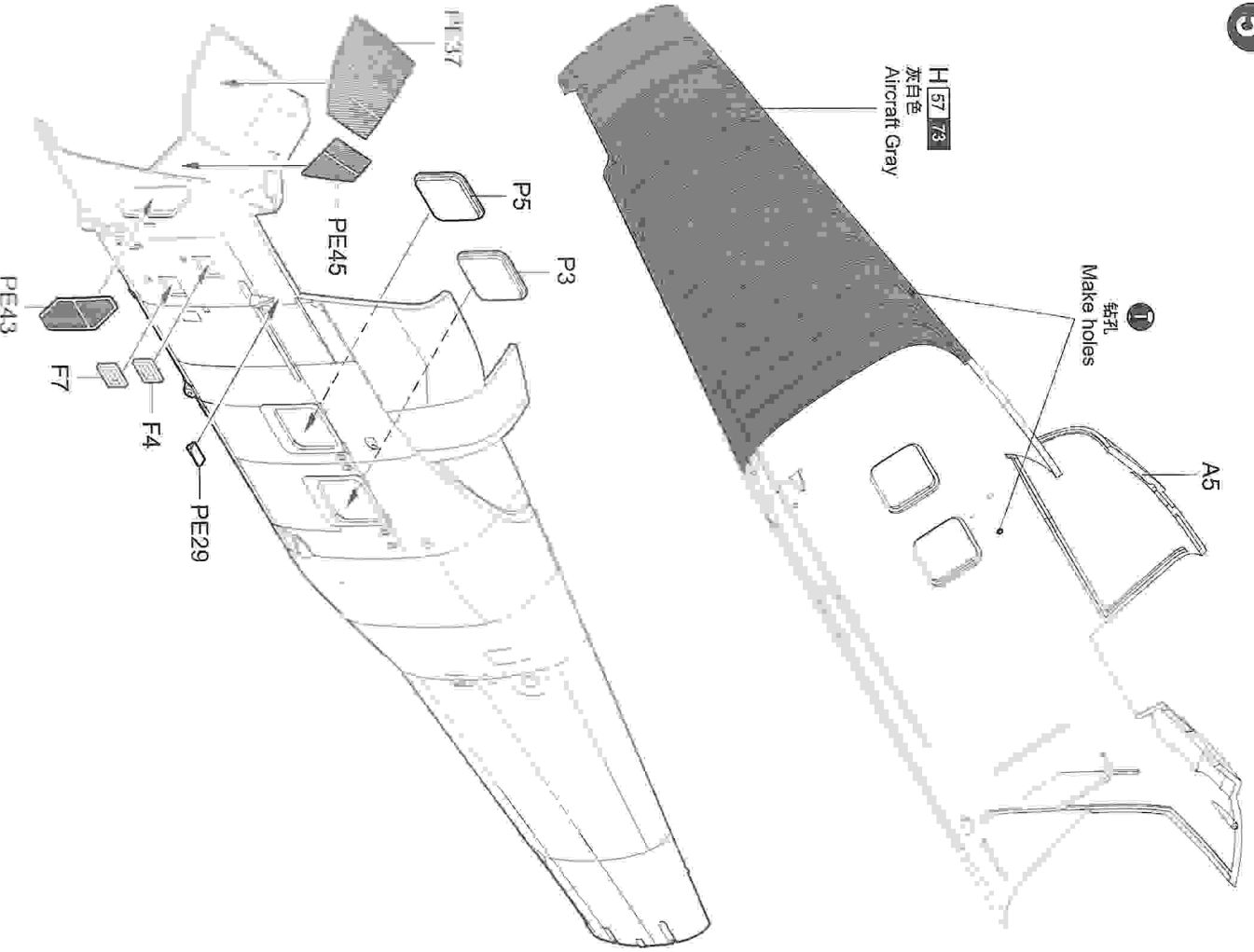


《运输舱》II
Transport module

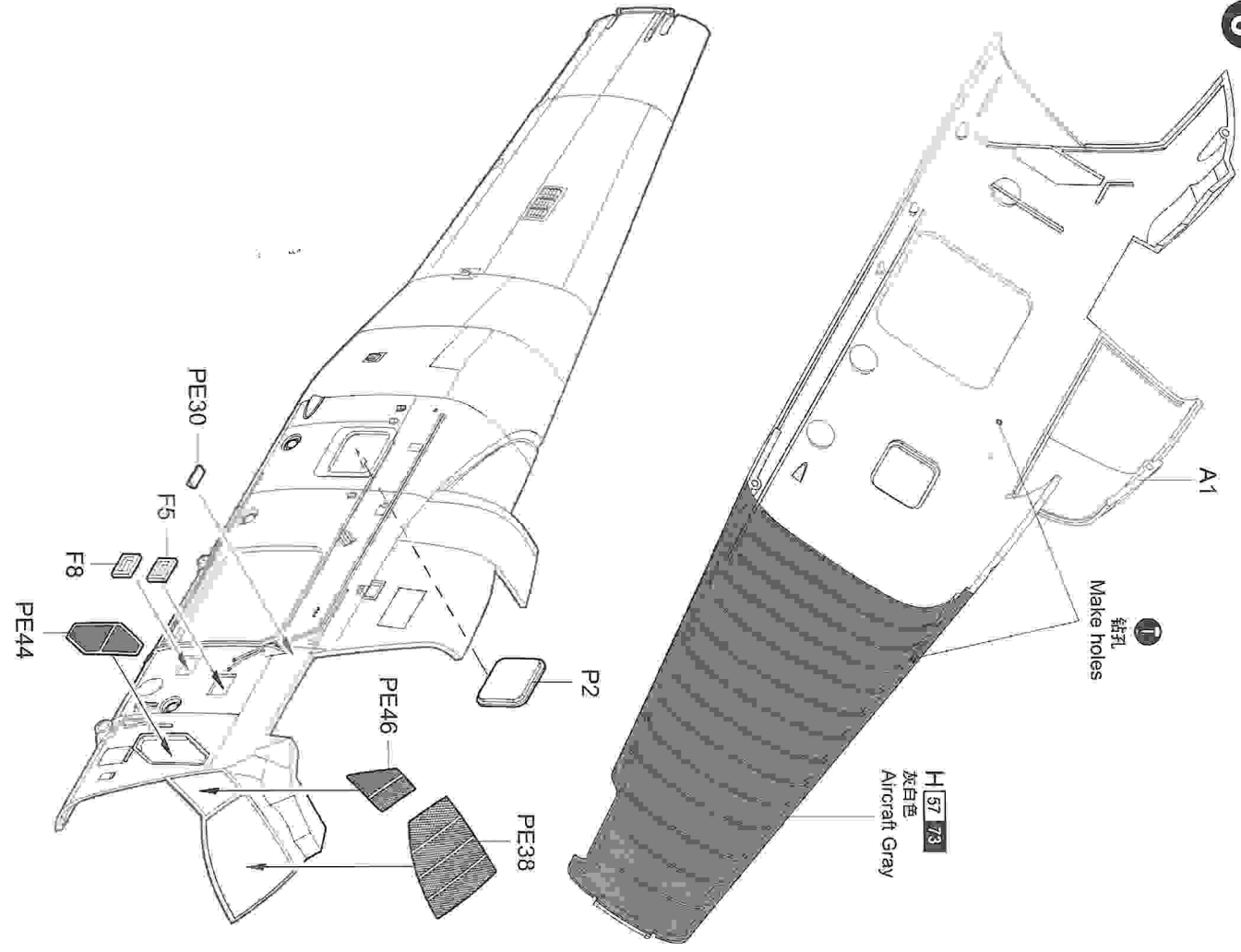
《运输舱》III
Transport module

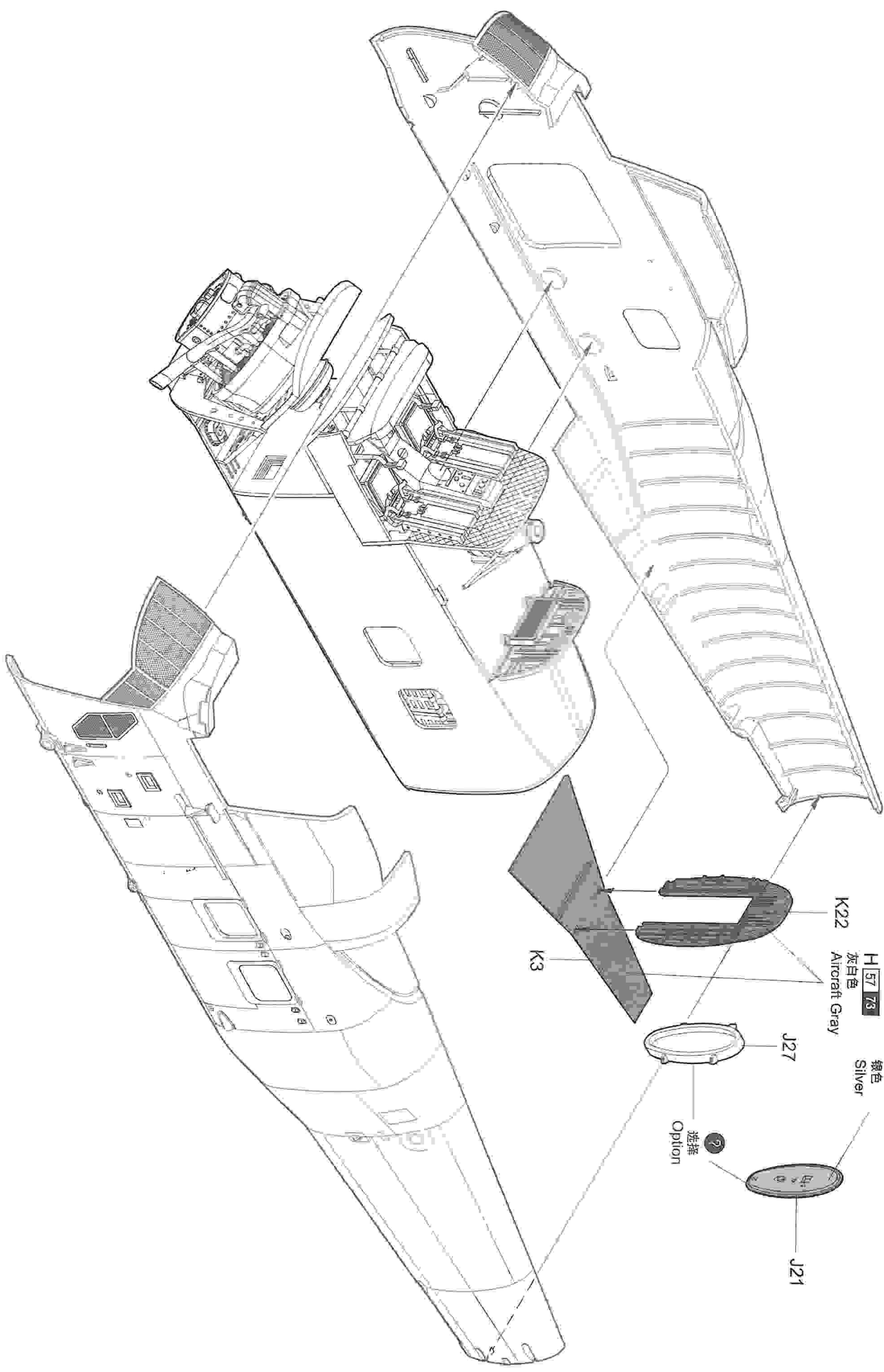


5

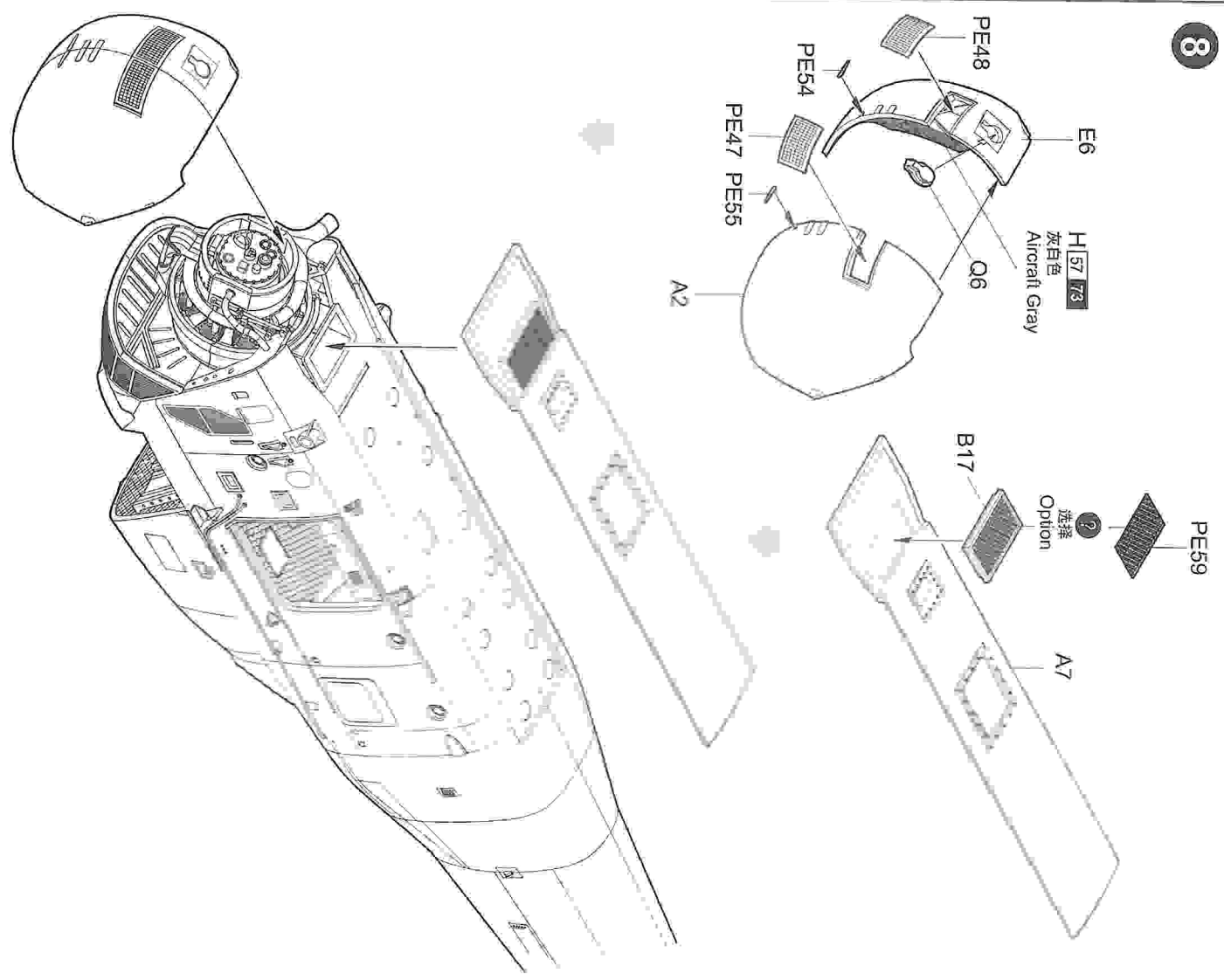


6

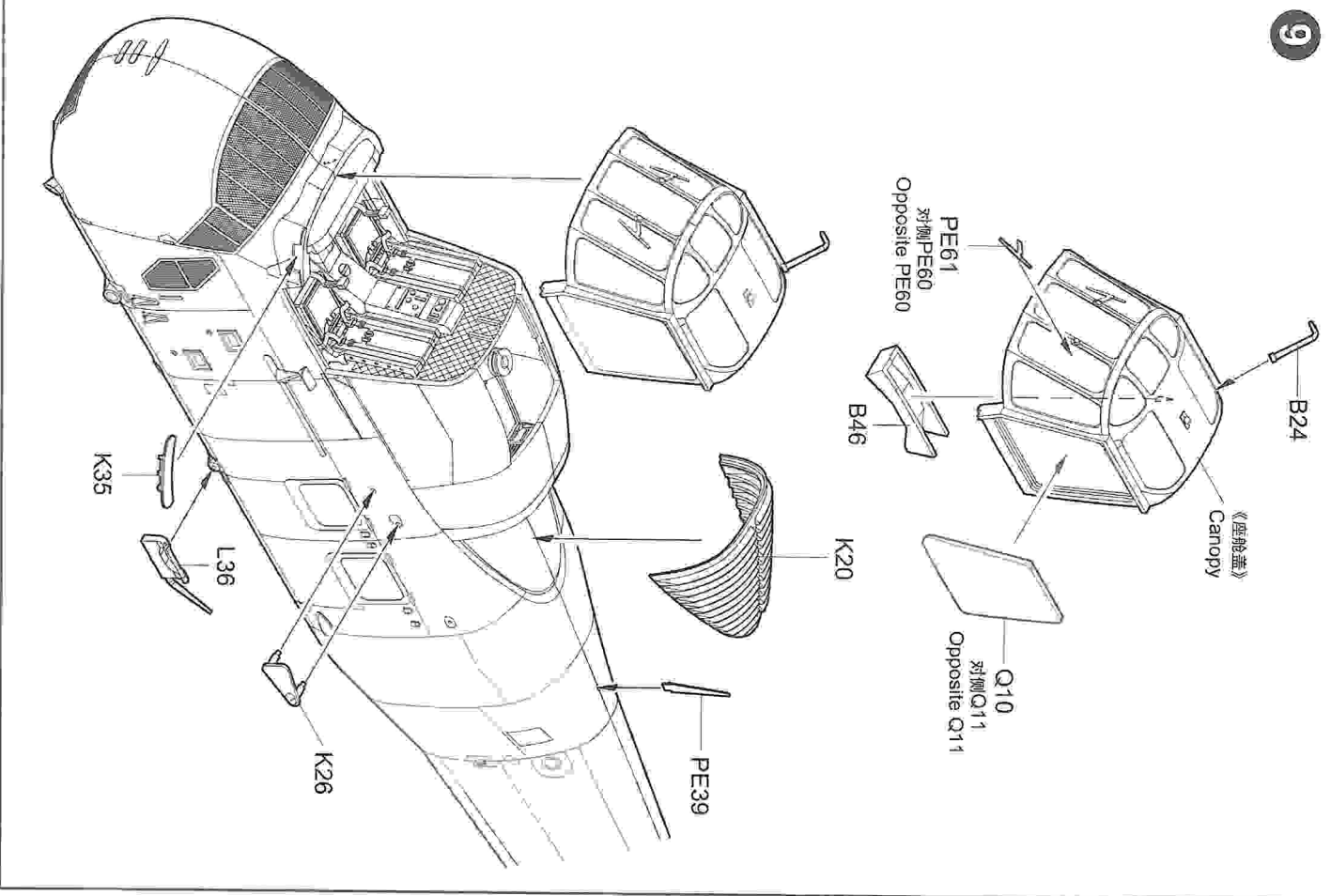




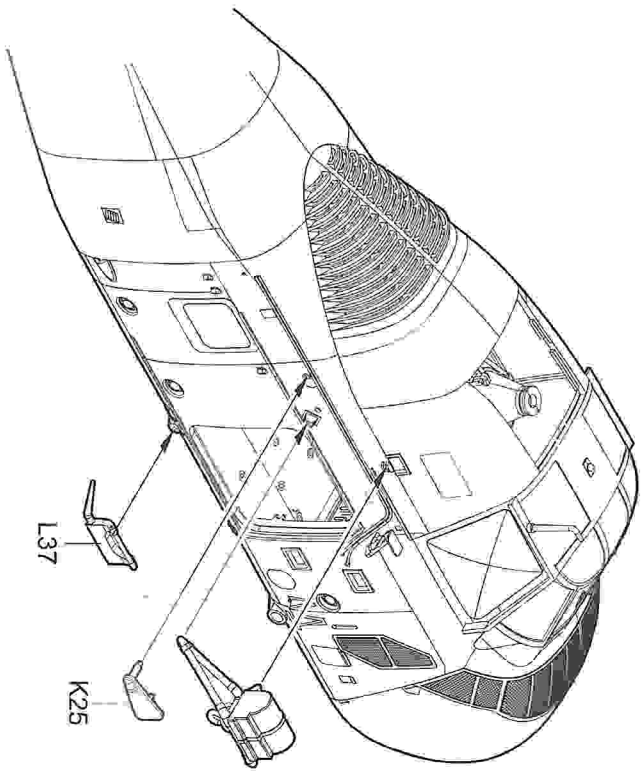
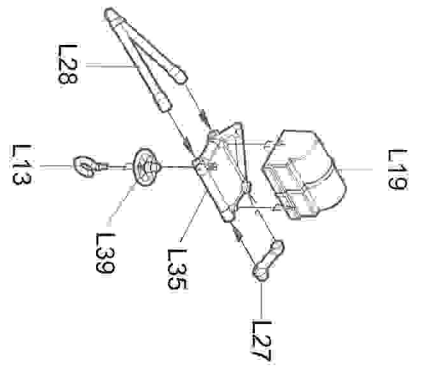
8



9

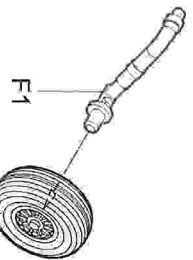


10

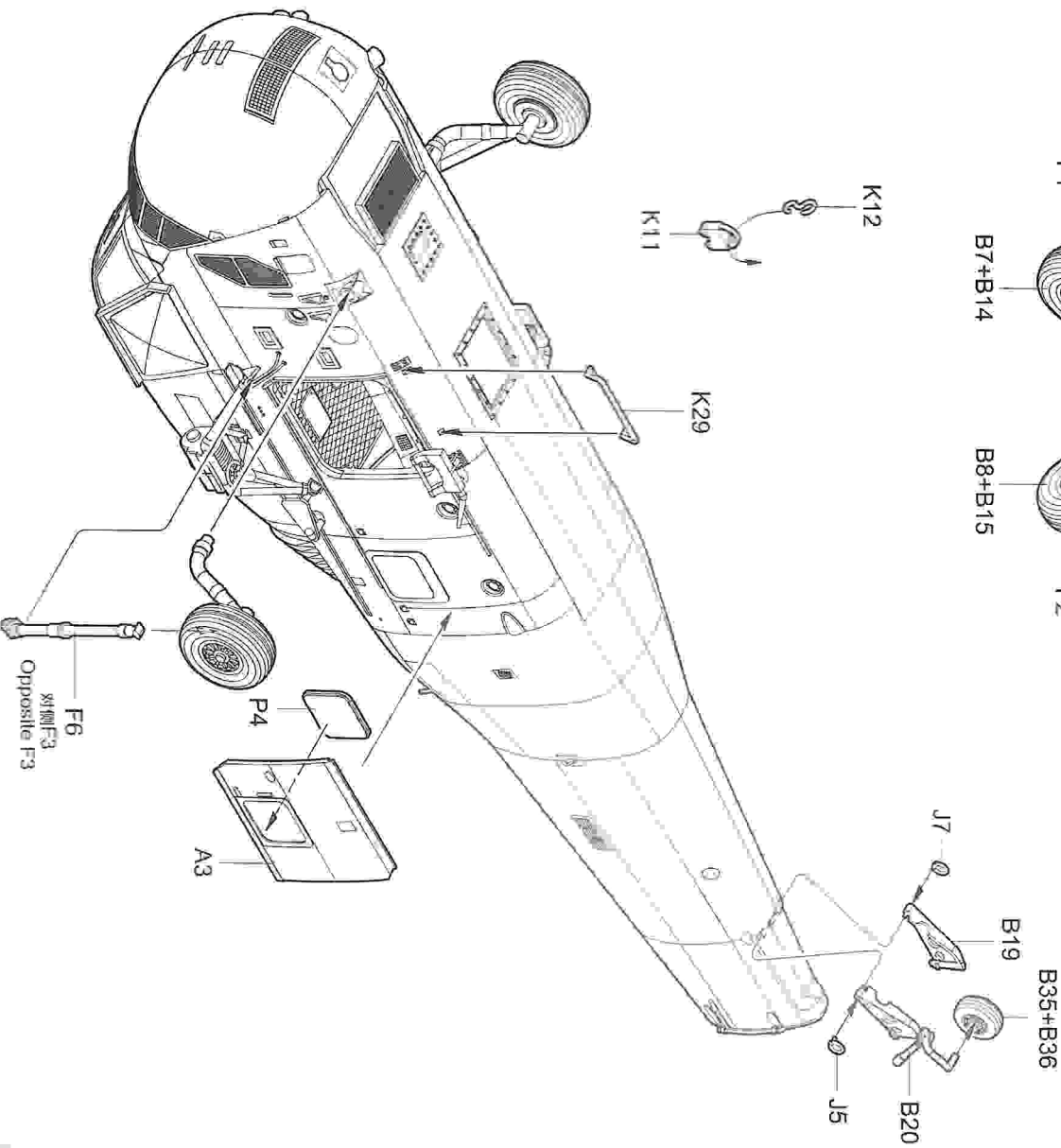
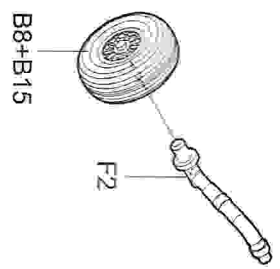


11

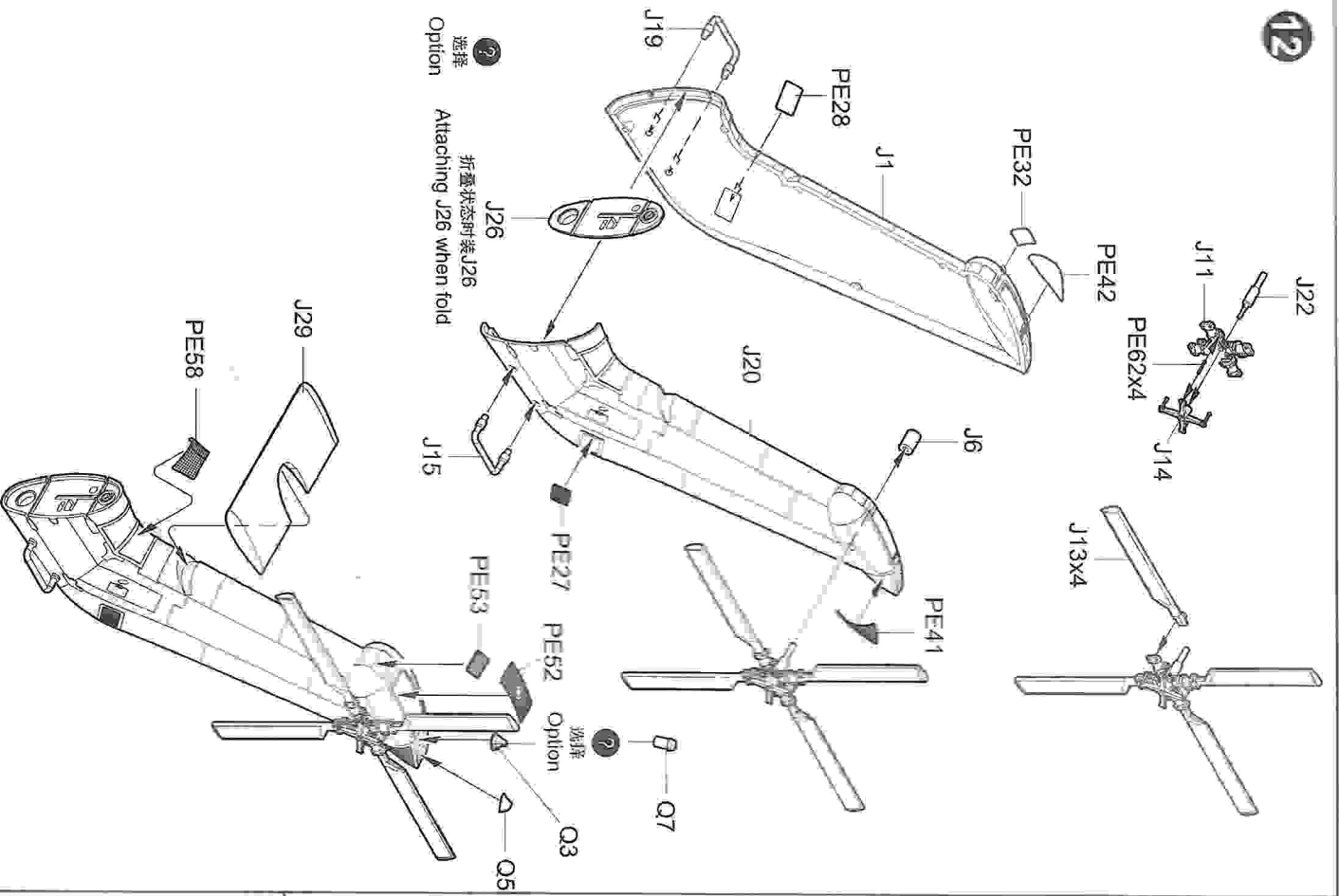
《左侧起落架》
Left undercarriage



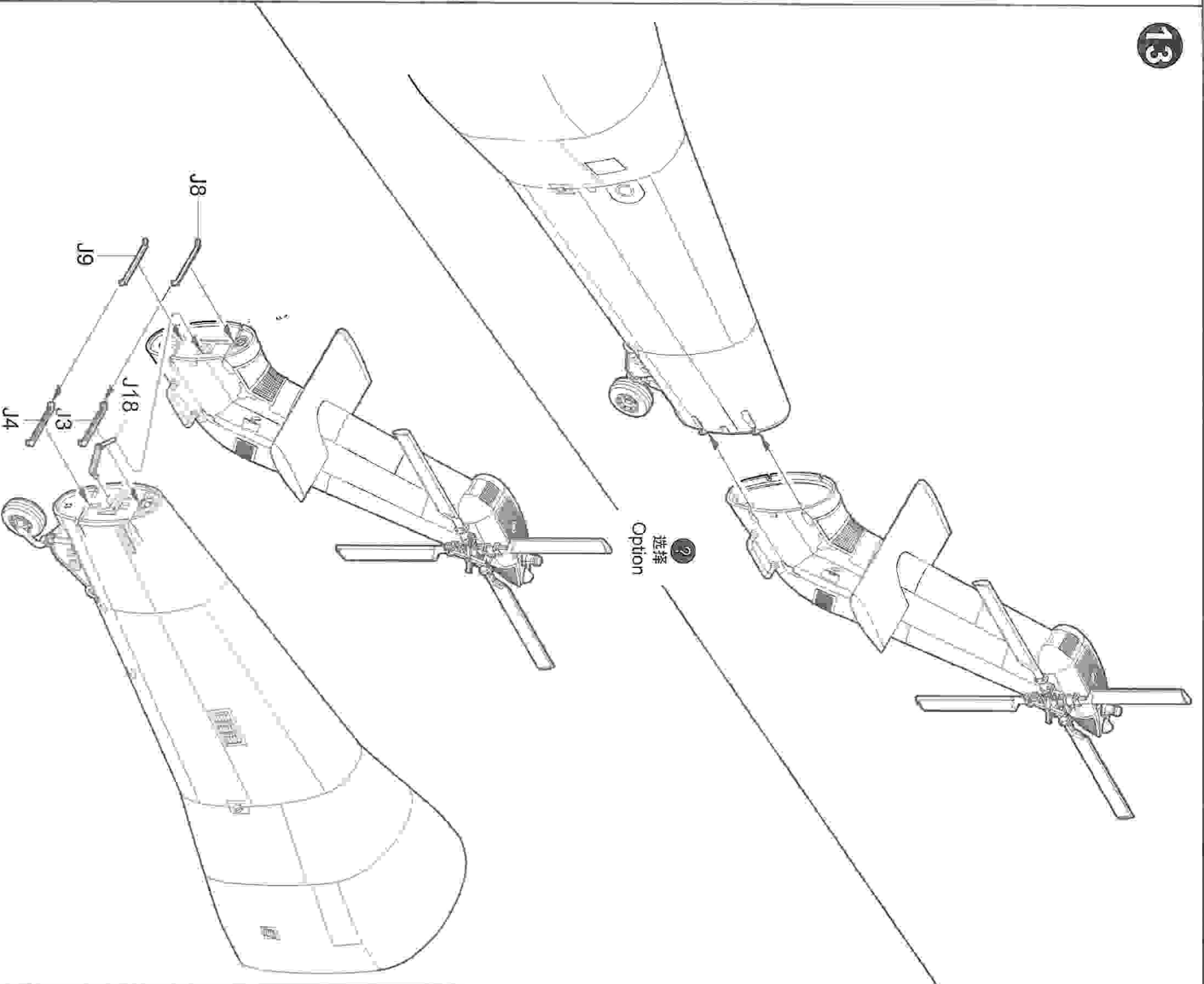
《右侧起落架》
Right undercarriage

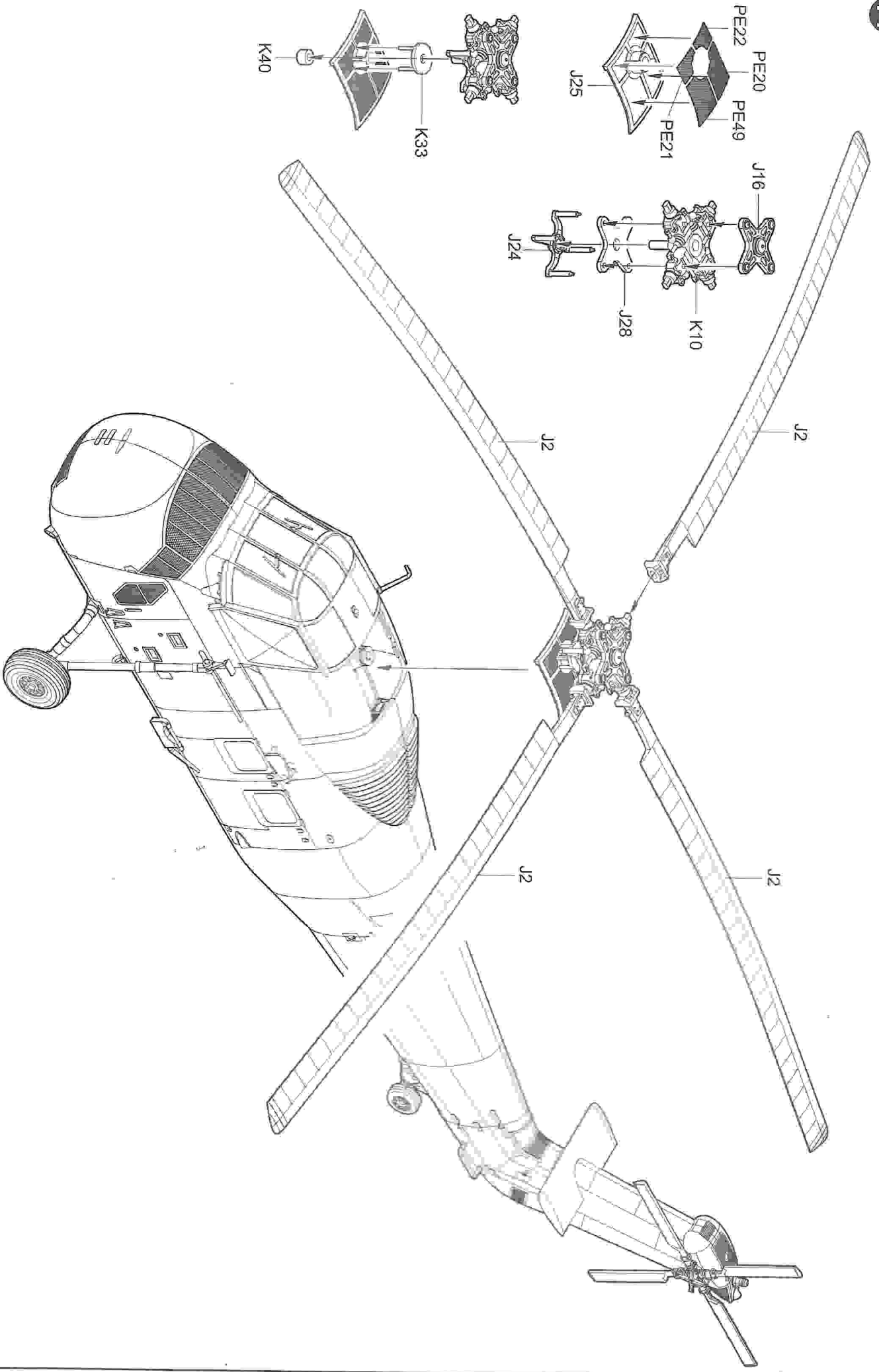


12



13





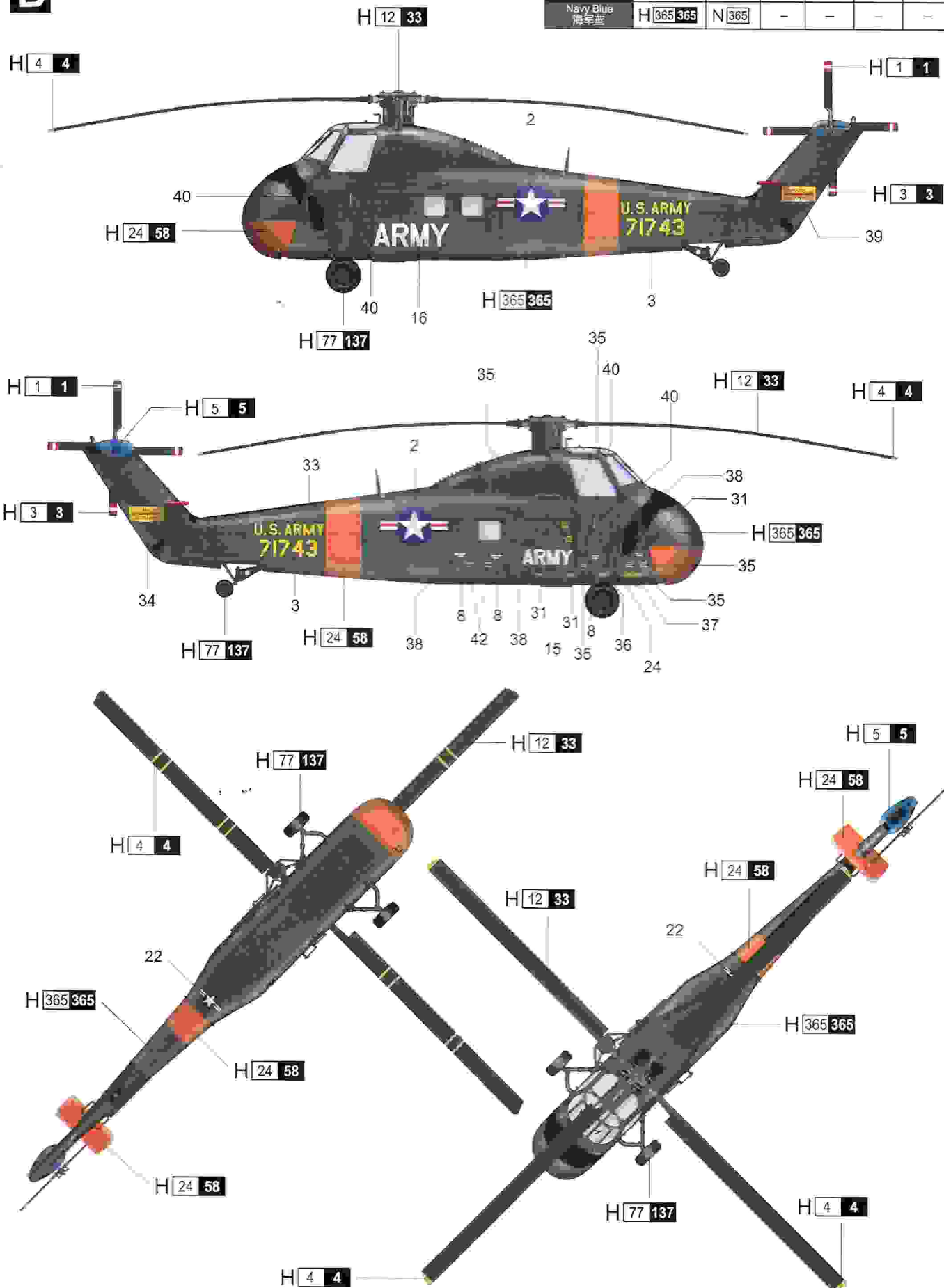
涂装同标贴指示

Painting & Marking guide

B

PAINT REFERENCE COLOR

Color	Mr.Hobby	Acrycion	Vallejo	Model Master	Tamiya	Humbrol
Blue 蓝色	H 5 5	N 5	899	1772	X3	15
Orange yellow 橙黄色	H 24 58	N 24	-	-	-	-
Flat Black 消光黑	H 12 33	N 12	950	1749	XF1	33
Navy Blue 海军蓝	H 365 365	N 365	-	-	-	-



H AQUEOUS HOBBY COLOR Mr. COLOR N ACRYCION COLOR

