

1/350 SCALE

ITEM NO.:05362



HMS Calcutta

英国皇家海军加尔各答号轻型巡洋舰

READ BEFORE ASSEMBLY:

- This kit is not recommended for inexperienced modelers or for children under 14 years of age
 - Study and understand these instructions thoroughly before beginning assembly
 - When needed, remove photo-etch parts carefully using a modeling knife or photo etch sprue cutter, being careful not to damage or lose small parts.
 - Take extra care in handling photo etch parts in order to avoid injury
 - Apply instant cement sparingly to photo etch parts where instructed
 - Tools recommended(not included in kit):Plastic and instant cements,sprue cutters,long nose pliers,modeling knife, small files,tweezers, pin vise & scissors. Soft cloth and sandpaper will also assist in construction
 - Glue and paint are not included in the kit. Use plastic cement and hobby paints only. Color guide for purchasing paint is included in the kit.
 - Keep out of reach of children. They must not be allowed to ingest small parts or handle plastic bags in any way.
- * 说明书中含有重要信息, 应保留。 Please Keep instruction since it contains important information.

DECAL APPLICATION:

- 水贴纸的使用:
1. 从水贴上剪下印花:
 2. 将印花放入温水中浸10秒, 然后放在干净布上。
 3. 拿着印花纸板将印花移到模型上;
 4. 手指蘸水将印花移到适当的位置;
 5. 用软布轻压印花直至水干, 气泡消失。
1. Cut decals from sheet as needed
 2. Dip the decal in warm water for about 10 seconds and then place on soft clean cloth.
 3. Hold the decal backing sheet edge and gently slide the decal onto the model in its proper position.
 4. While still wet,decal can be adjusted for better fit on model by dampening it gently with your finger.
 5. When placed in the proper position,gently press decal down with a soft cloth until excess water and air bubbles are gone.
 6. Allow decal to dry completely before handling model

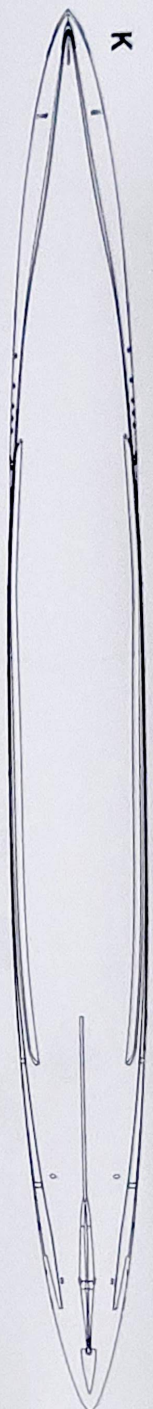
装配之前仔细阅读

- 小心用模型锉刀锉平所有零件表面的注射浇口。
- 小心用刀片切下蚀刻片零件, 不要遗失小零件。
- 用强力快干胶水粘合蚀刻片零件和金属轴。过量的快干胶水使用可能导致可动零件会粘住, 小心涂胶。
- 蚀刻刻片时应特别注意安全, 防止利边划伤手指。
- 某些零件表面需贴水上贴纸, 请选择在装配的同时进行。
- 推荐模型工具(自备): 胶水, 水口剪刀, 长嘴钳, 刀片, 锉刀, 镊子钳, 钻, 剪刀, 瞬间快干胶。
- 软布同砂纸同时也是所需工具。
- 请使用塑料胶水和油漆, 模型内不含。
- 谨防小孩吸吮塑料零件, 或者将塑料袋套在头上, 制作时应将套材远离小孩接触。
- 本产品不适合14岁以下没有经验的模型爱好者。

使用强力胶 Cyanocrylate glue	称重 Weight	钻孔 Make hole	切割 Cut / Remove	安装 Install it first
贴纸 Decal	疑问 Option	不涂胶水 No cement	带胶 Band	修补 Repair
锉刀 / 砂纸 File / Sand				

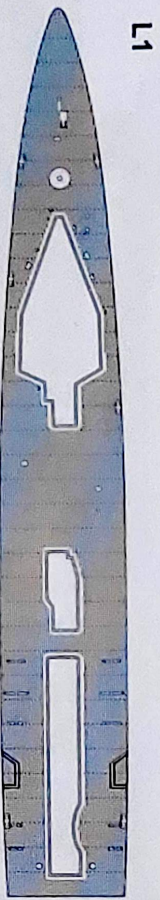
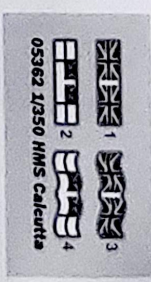
05362

部品图 Parts

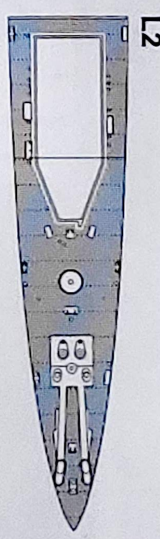


K

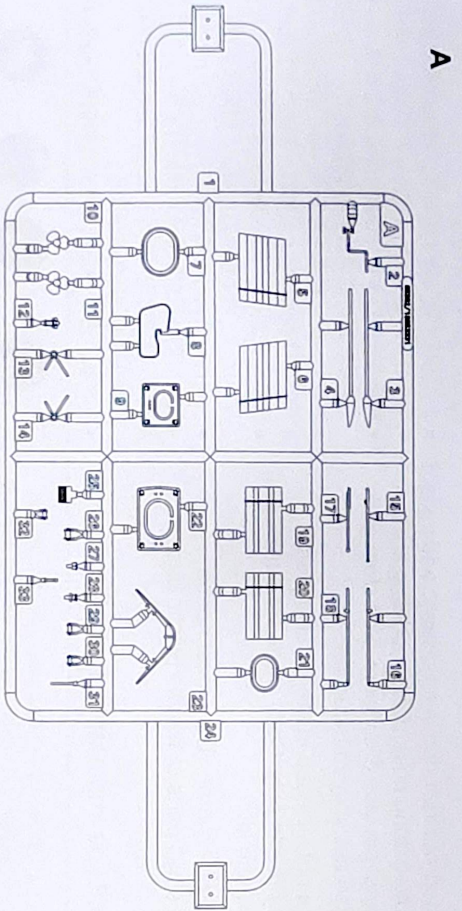
(水貼)
Decal



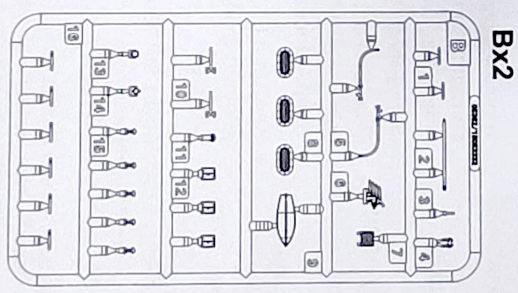
L1



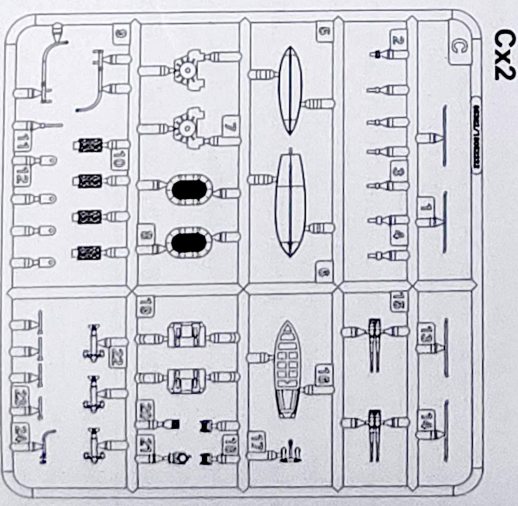
L2



A



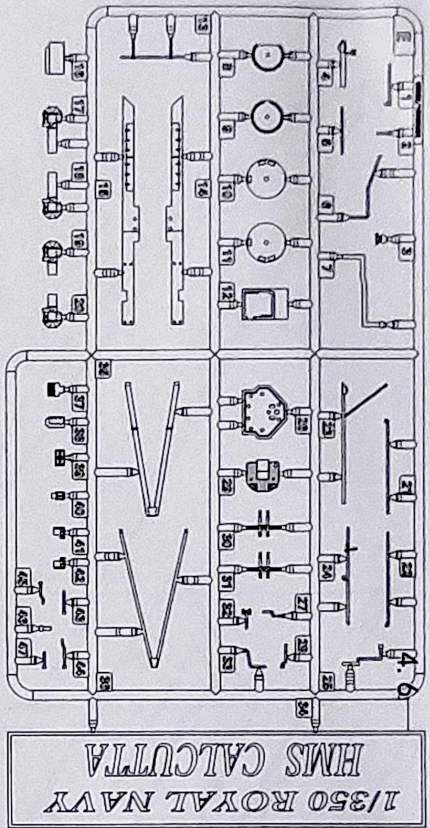
Bx2



Cx2

部品图 Parts

E

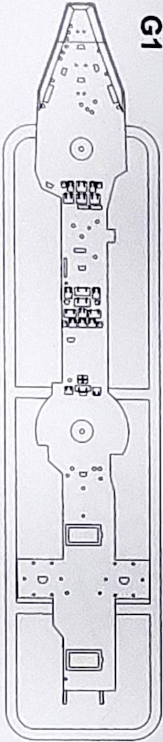


F1

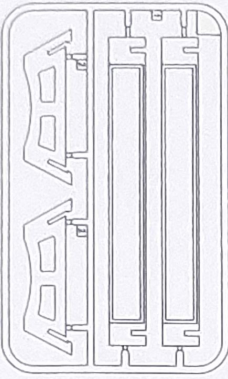
F2

F3

G1



《座架》
Stand



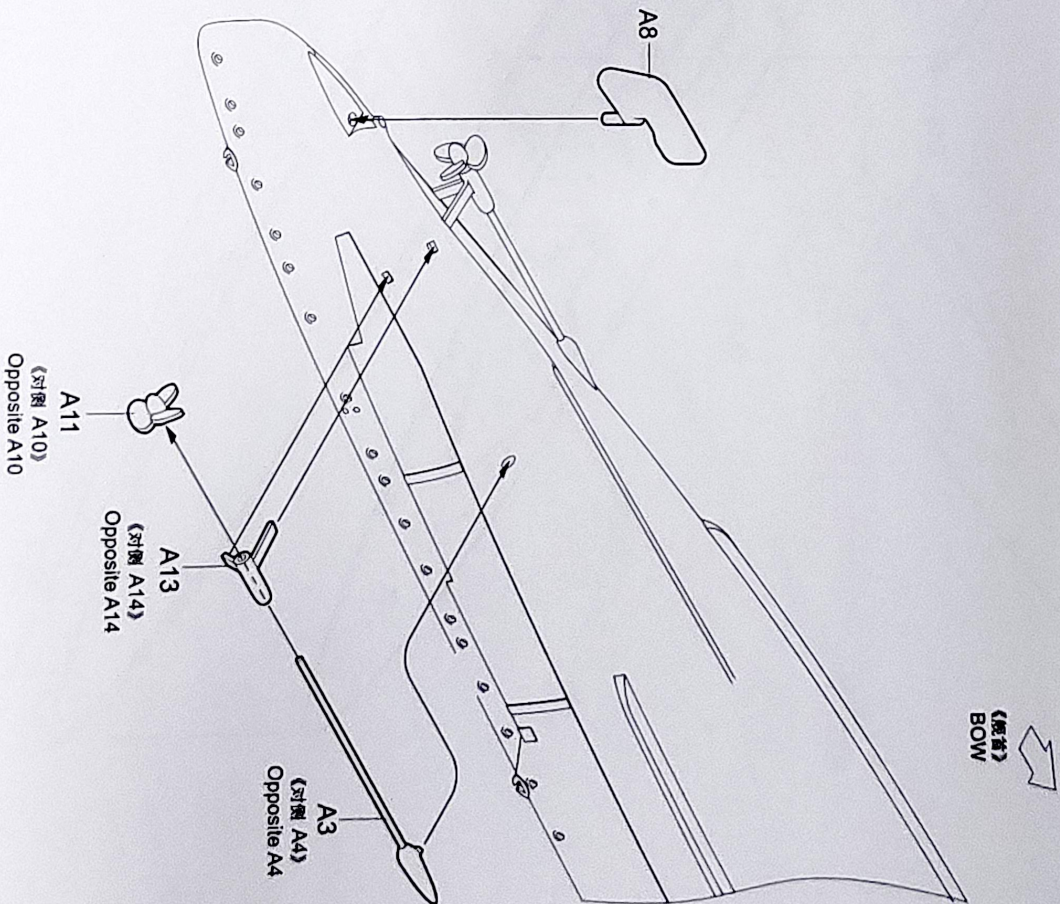
《描述》 L:130
Chain

01234567891011121314151617181920212223242526272829303132333435363738

《蚀刻片》
Photo Etched



1

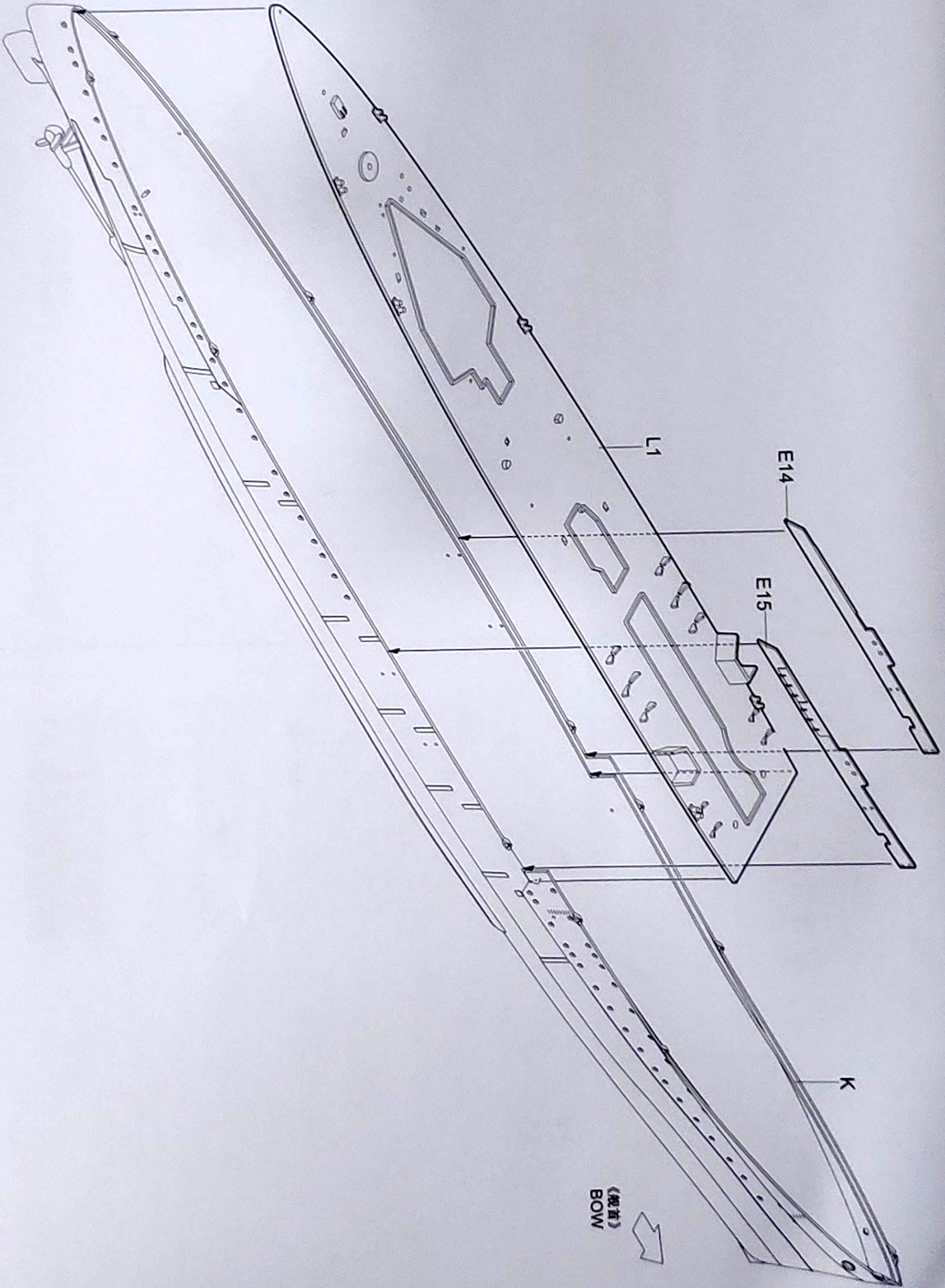


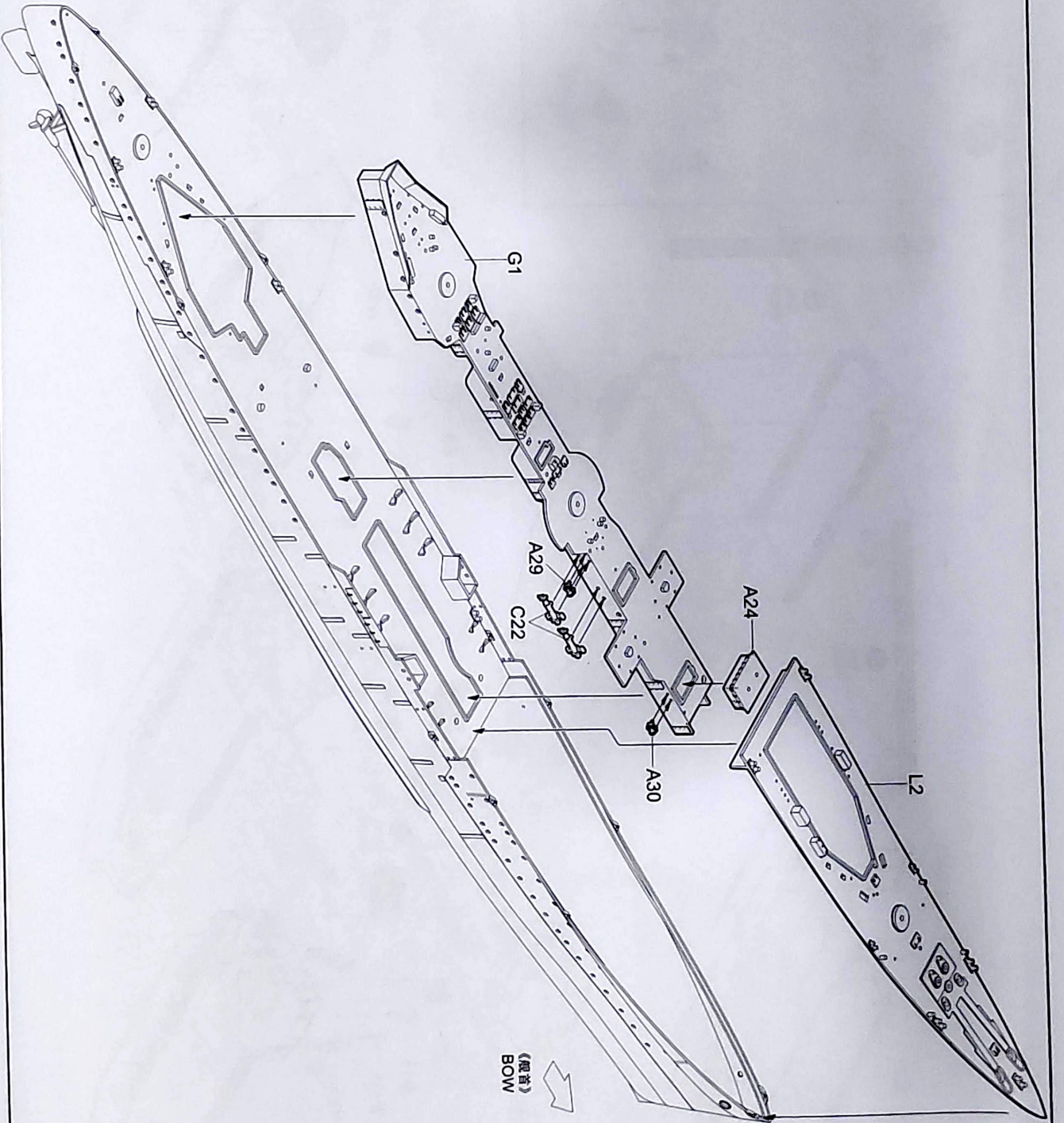
A11
《对侧 A10》
Opposite A10

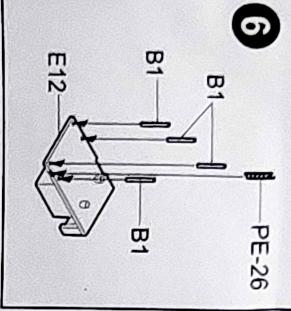
A13
《对侧 A14》
Opposite A14

A3
《对侧 A4》
Opposite A4

《船首》
BOW



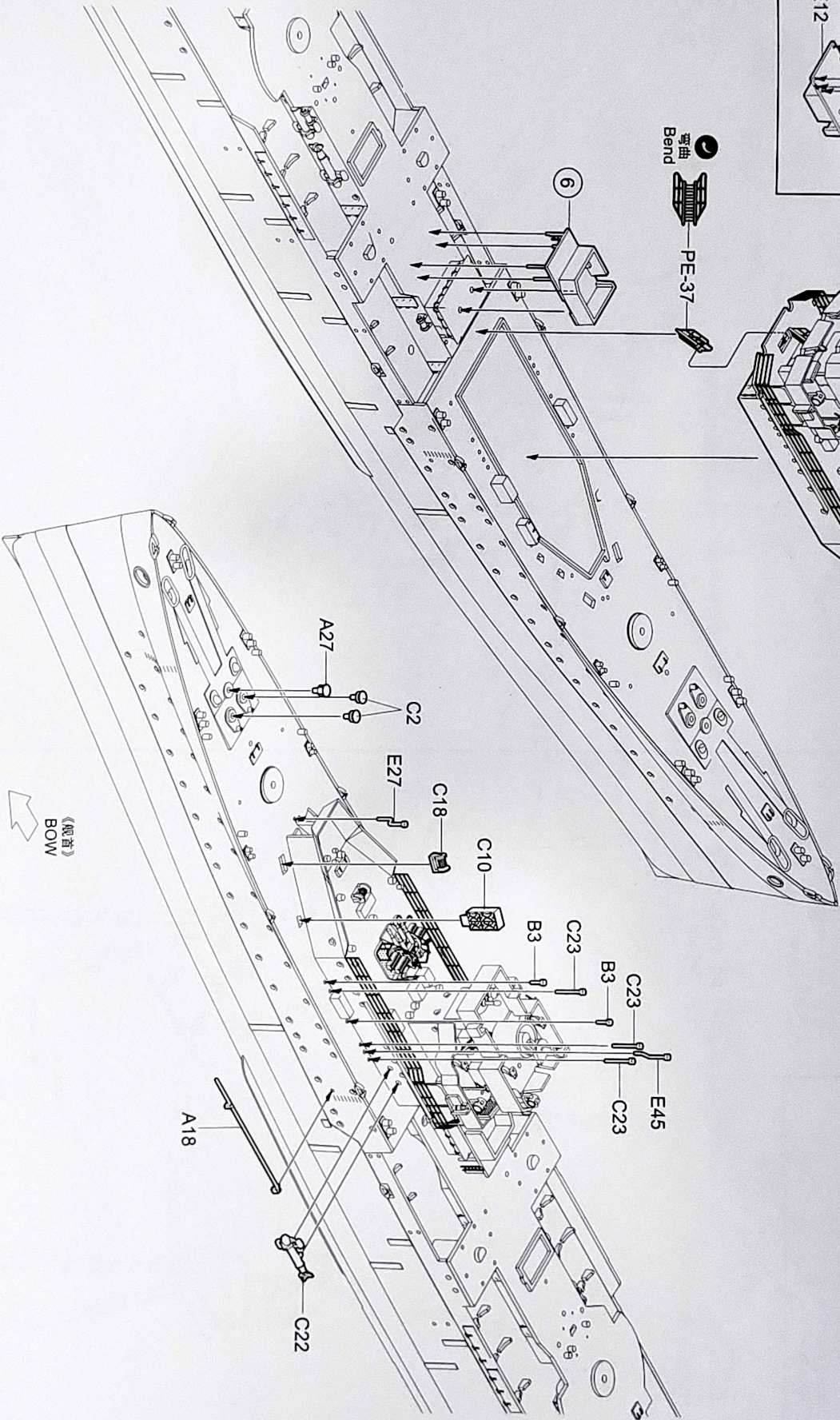
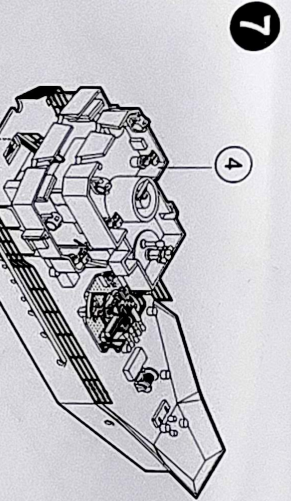


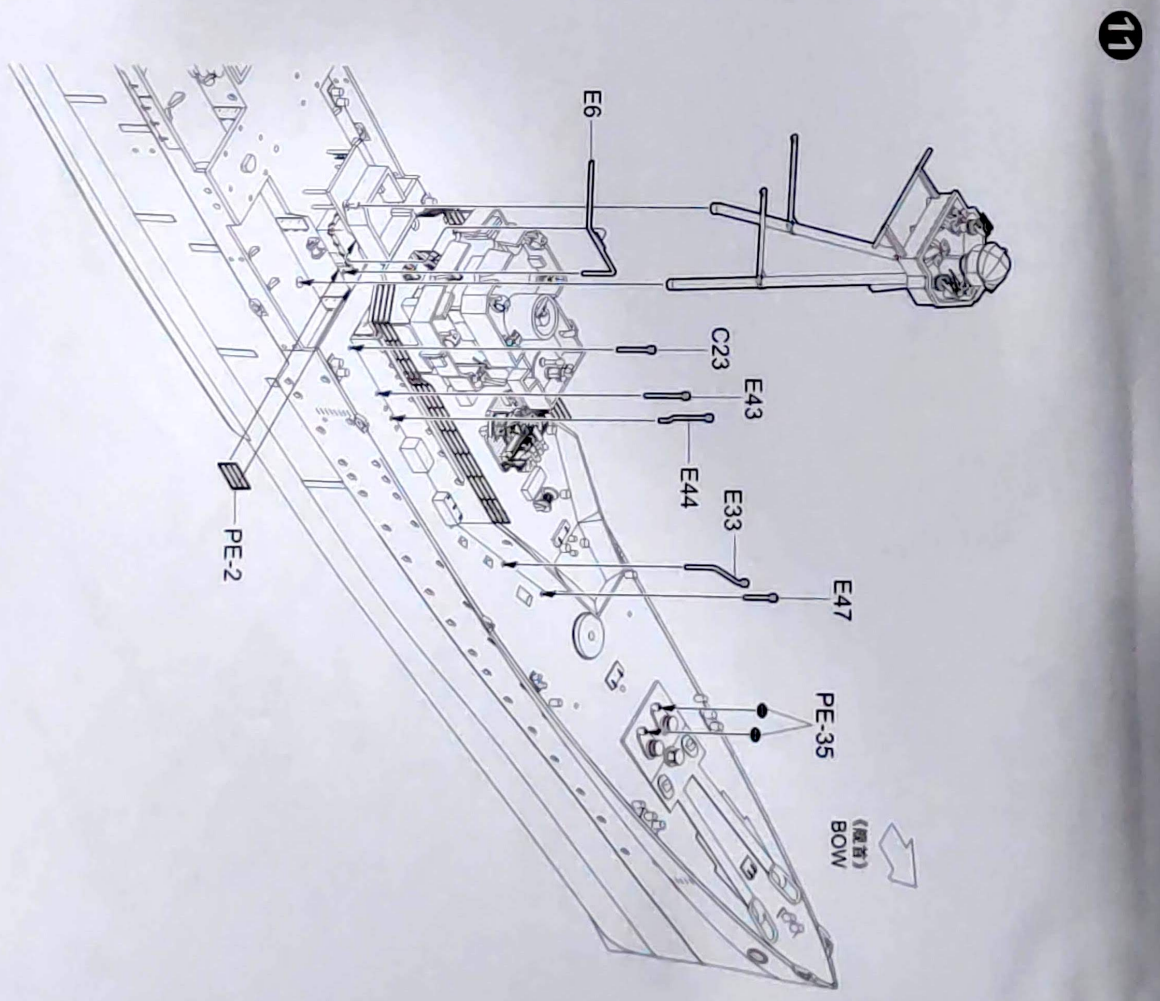
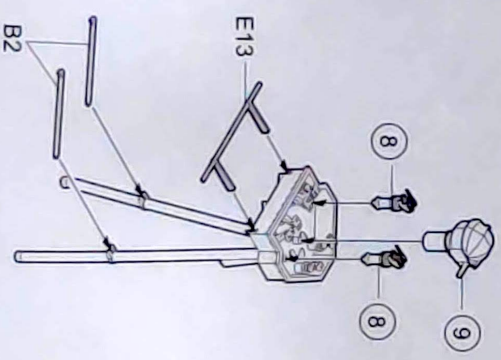
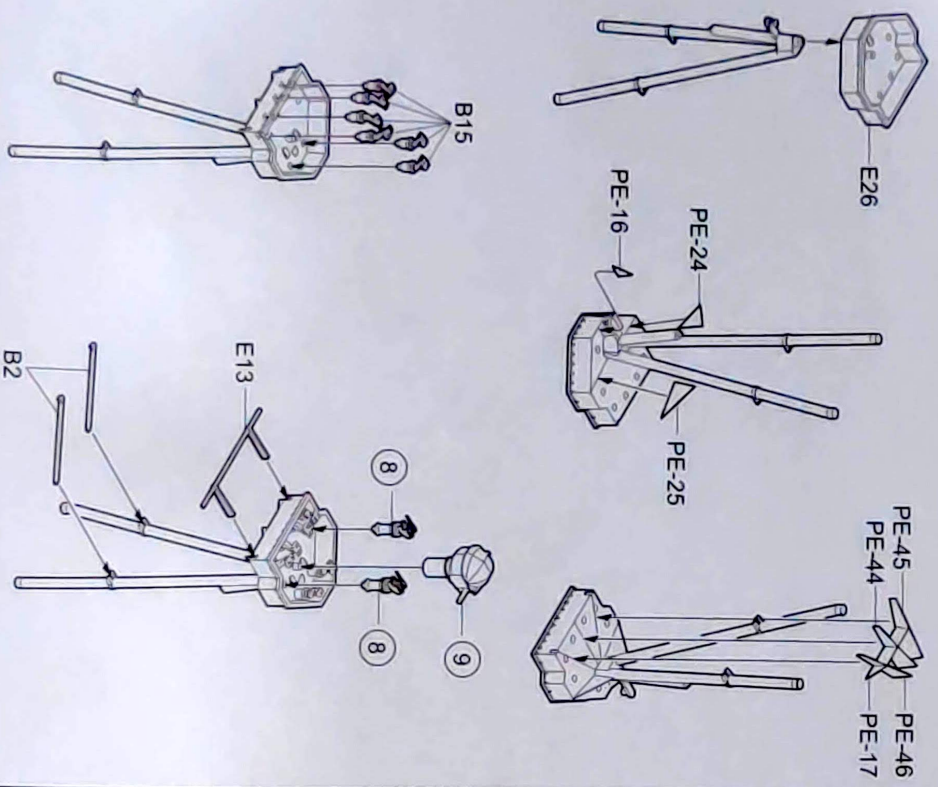
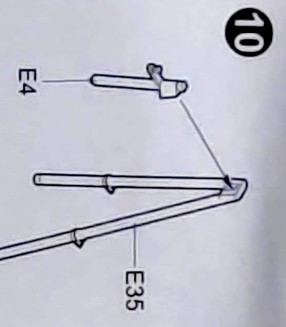
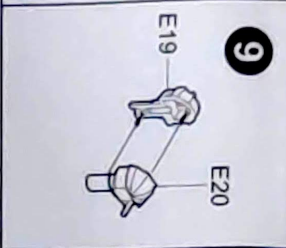
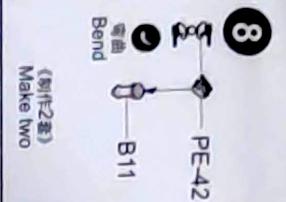


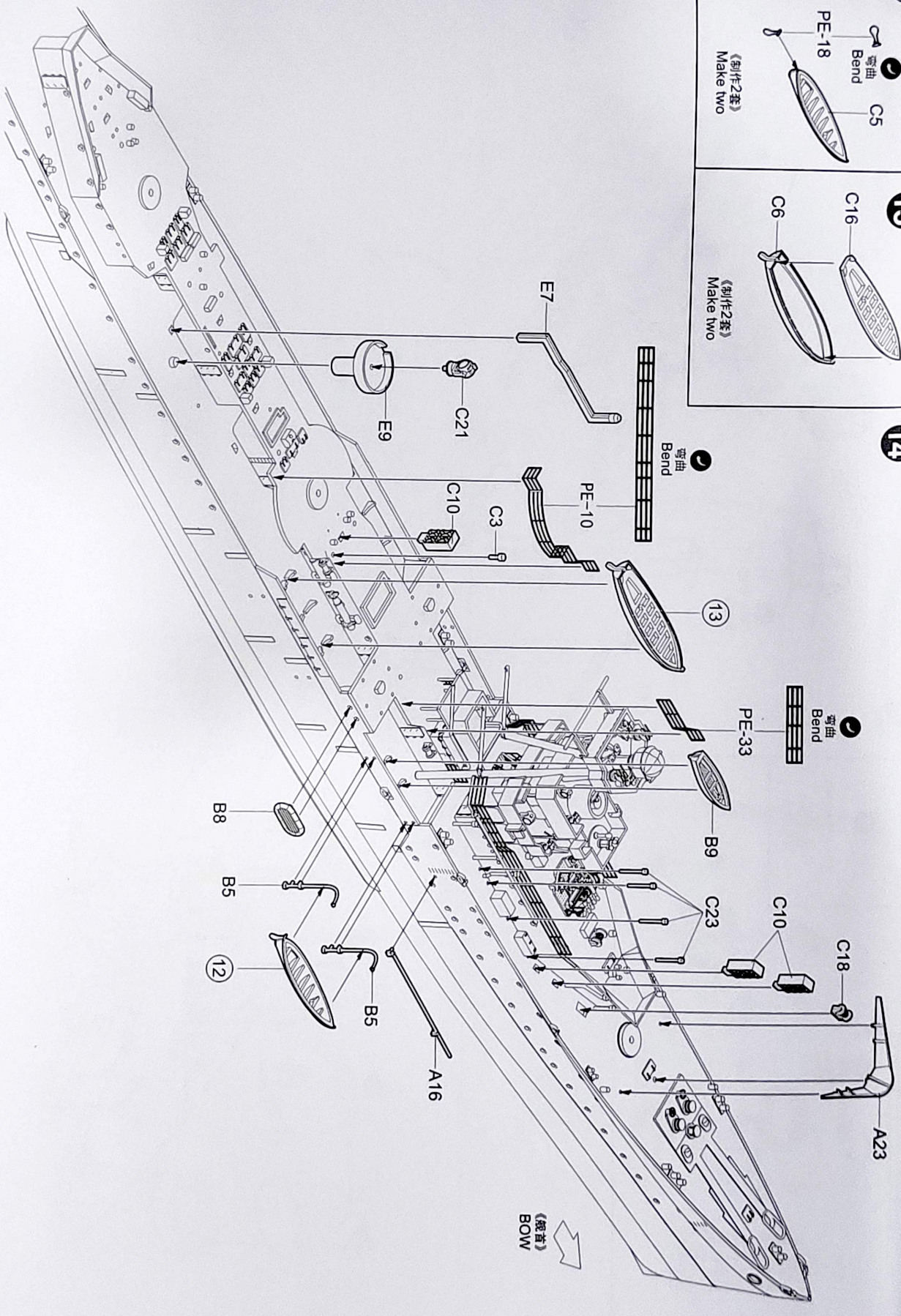
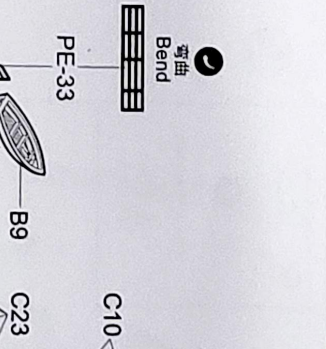
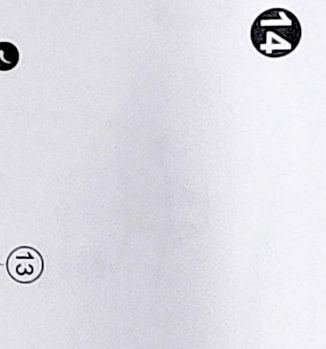
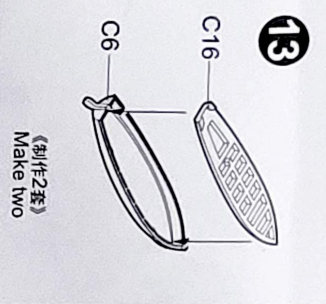
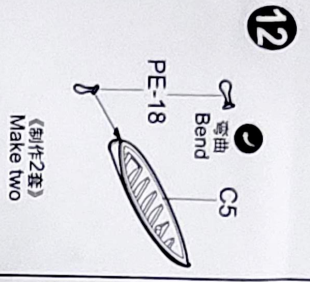
弯曲 Bend



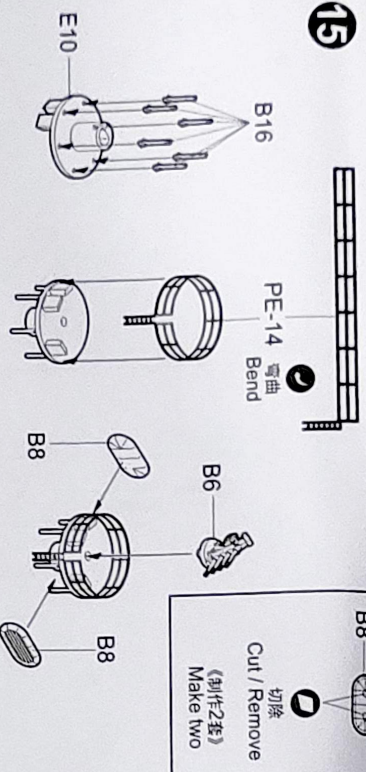
PE-37



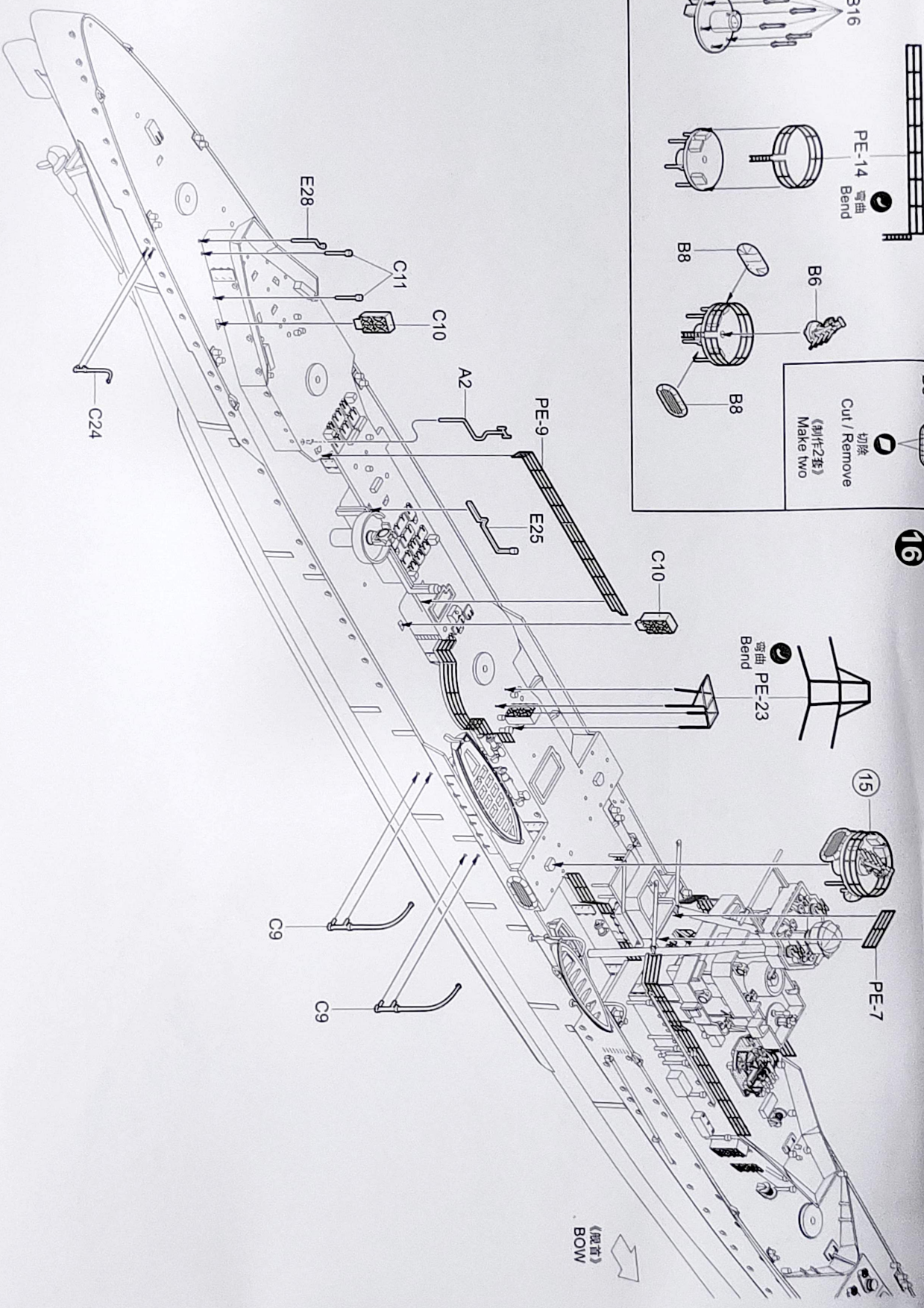
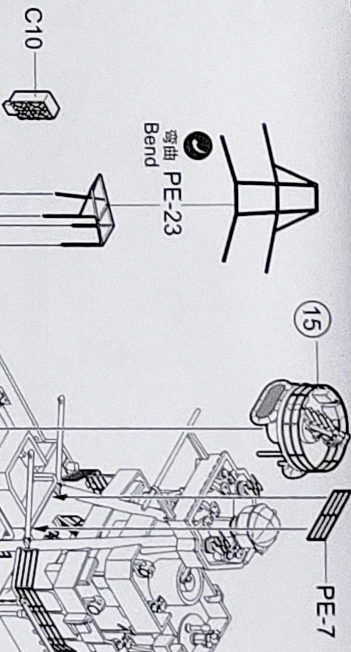




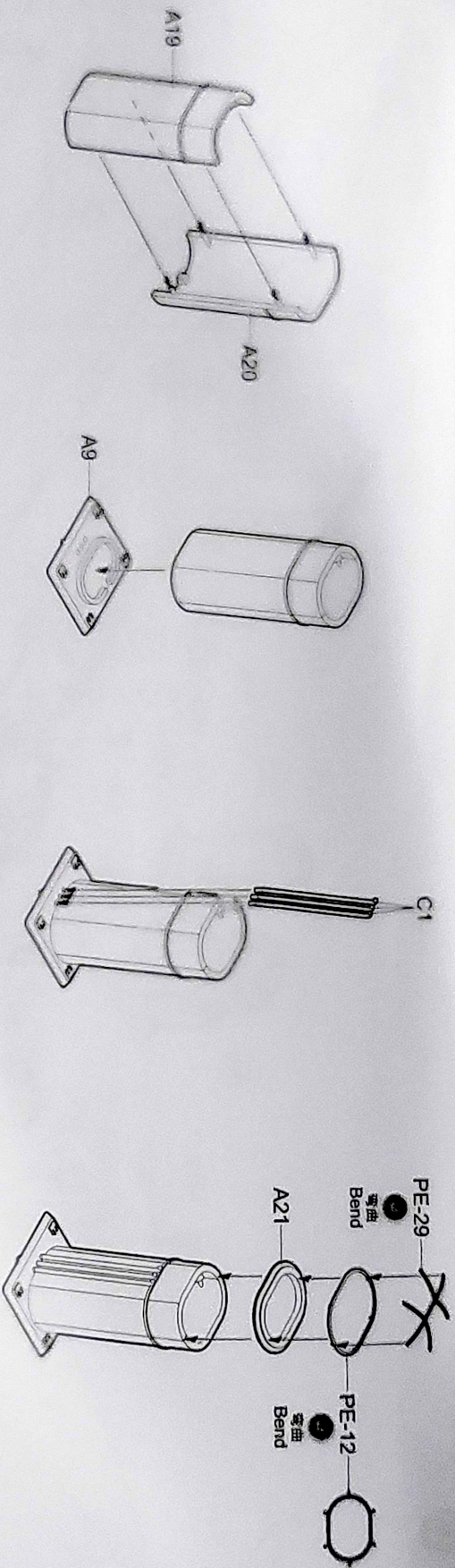
15



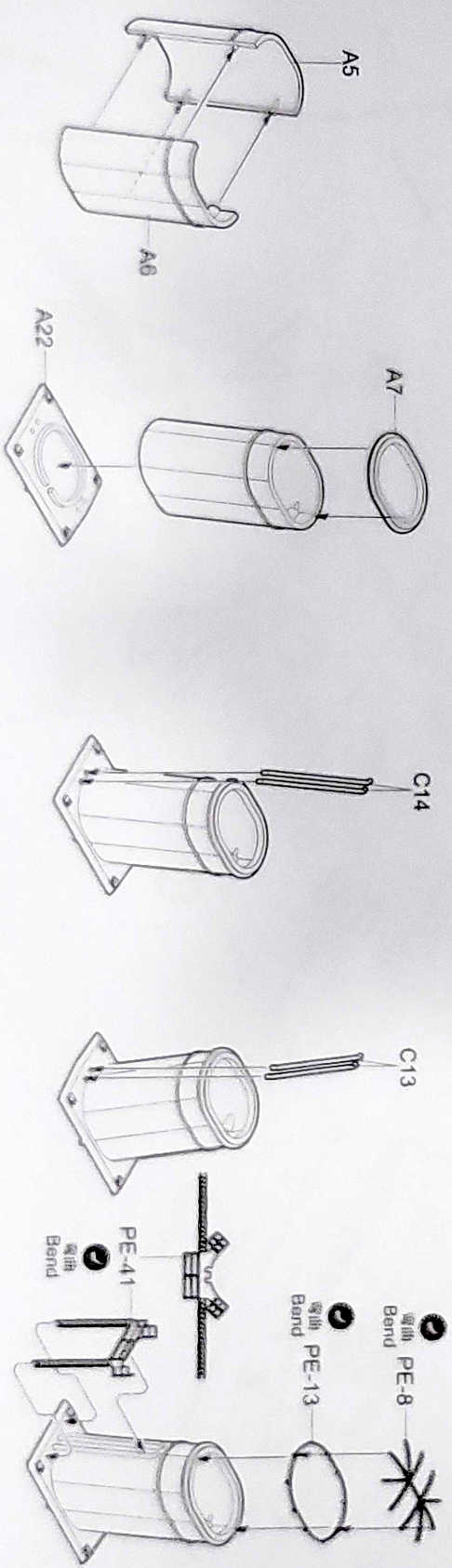
16

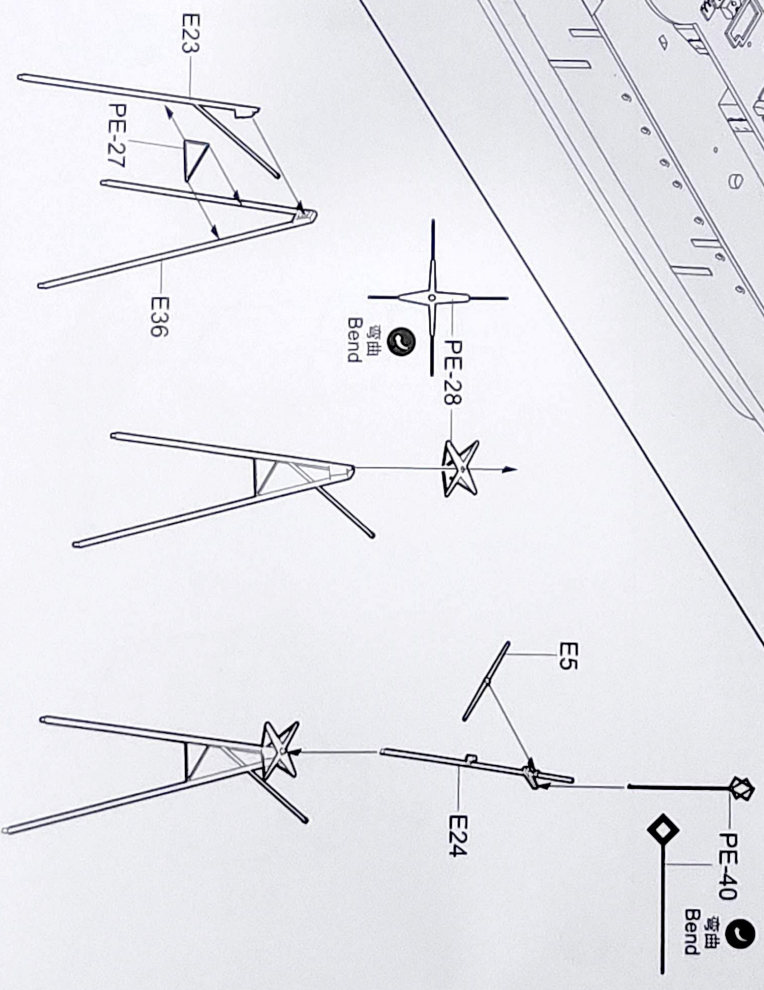
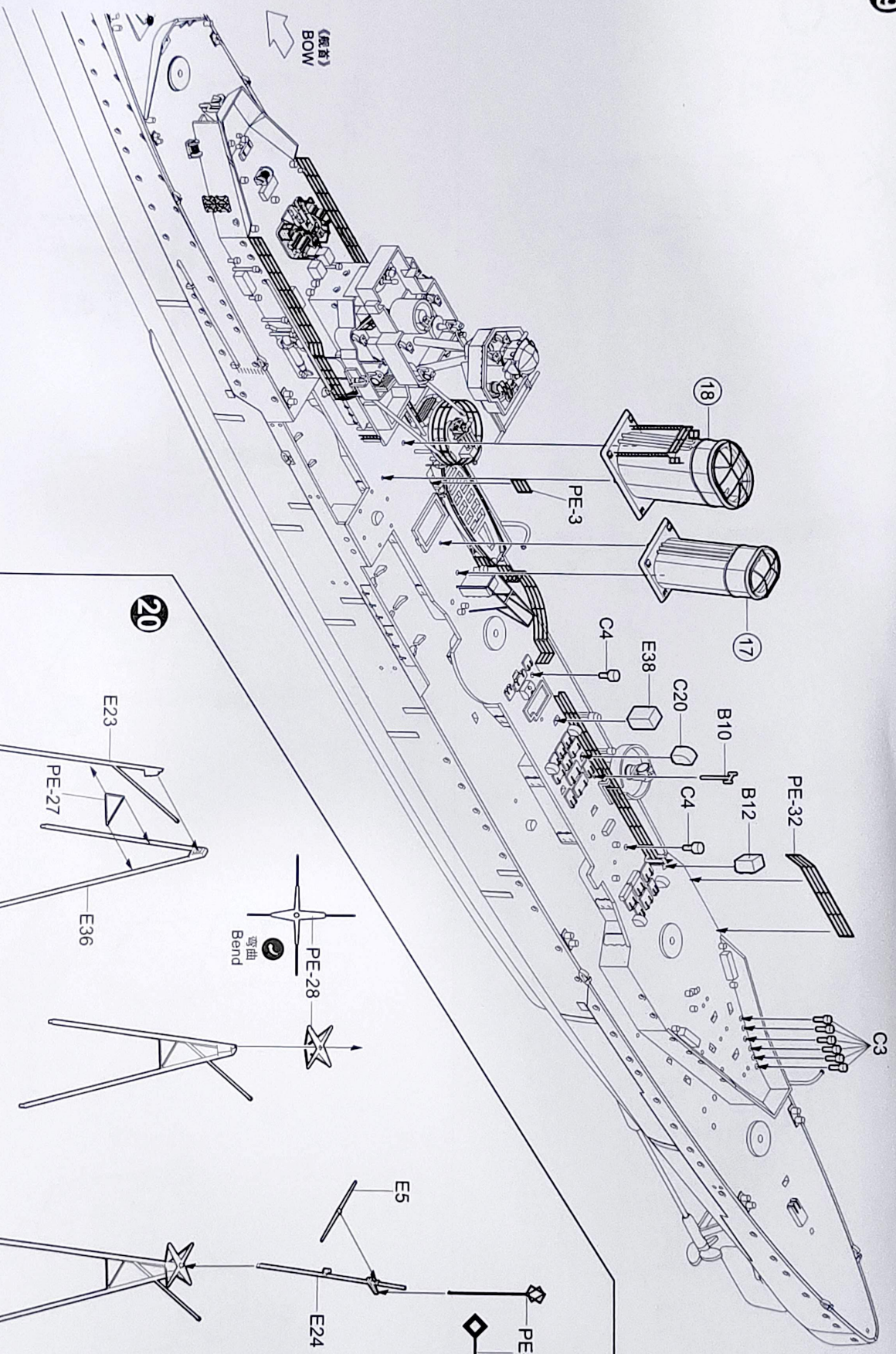


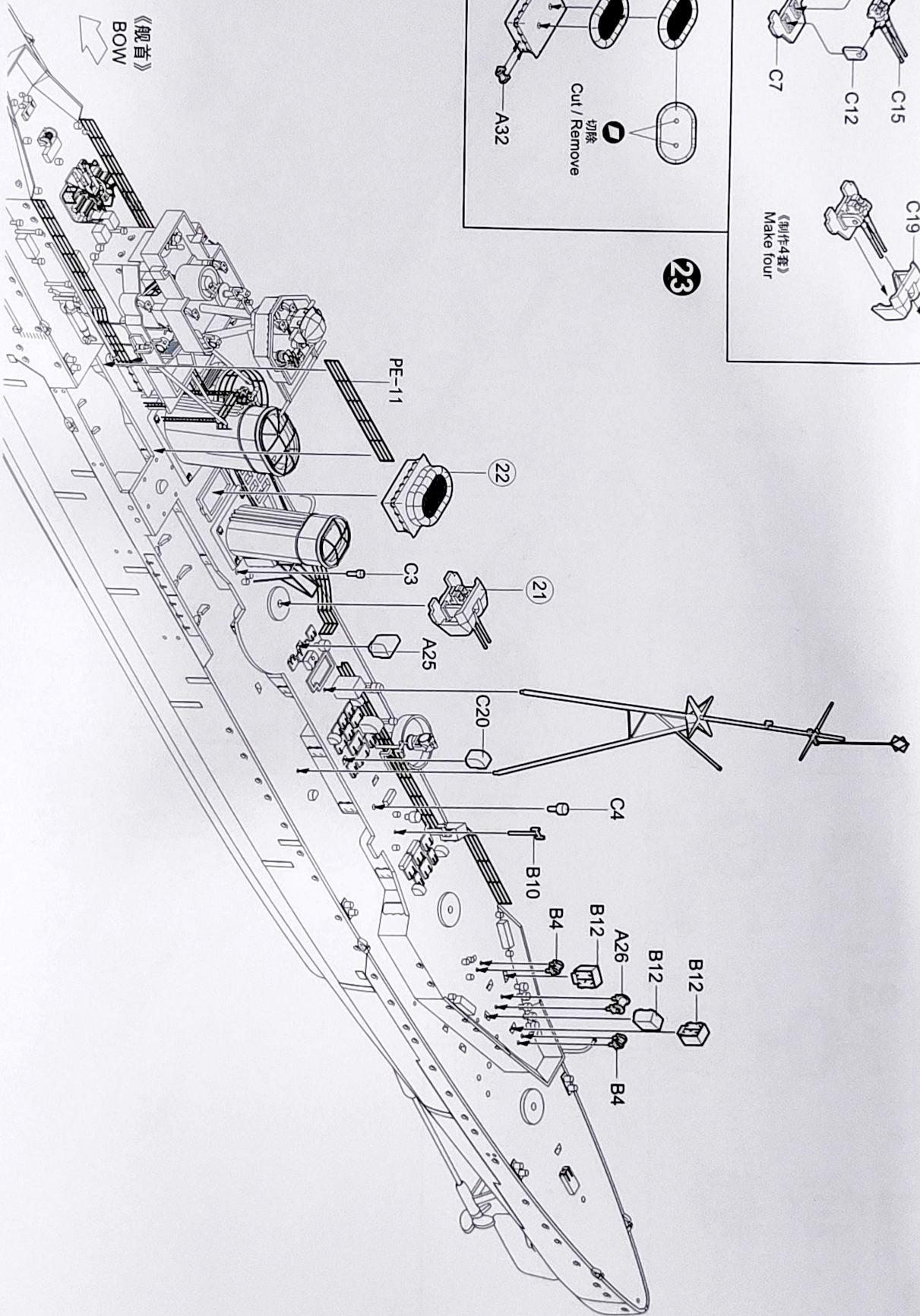
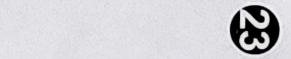
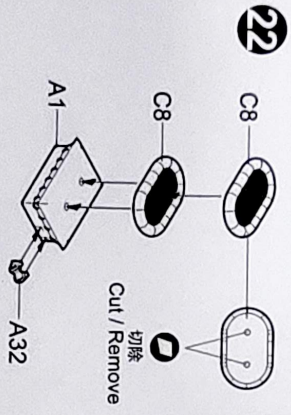
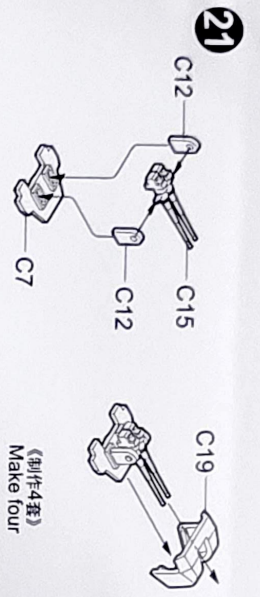
17

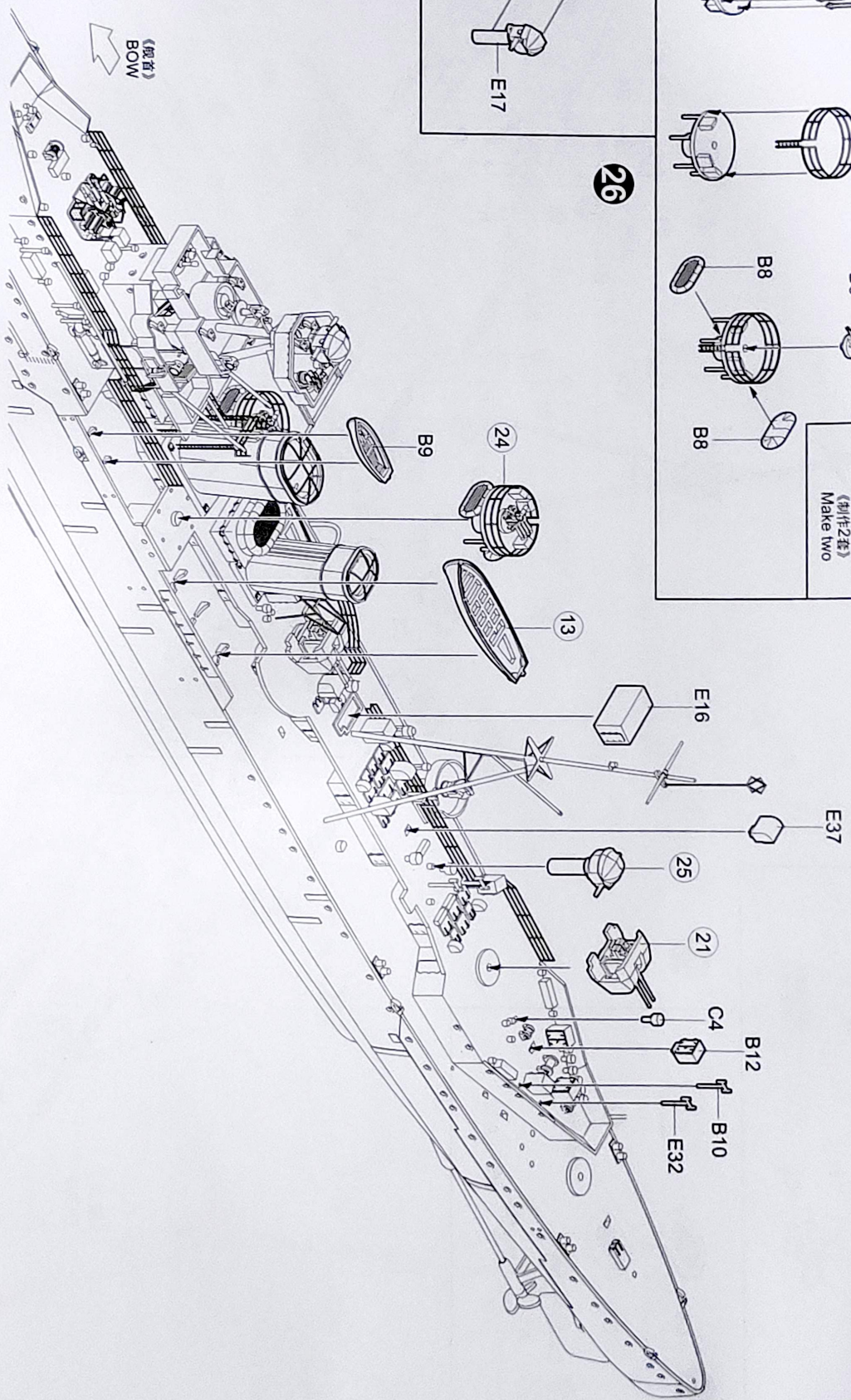
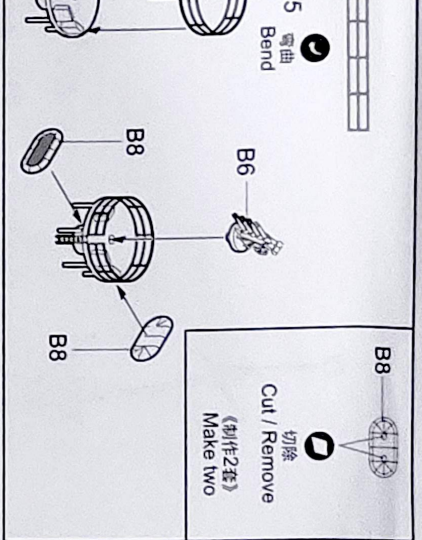
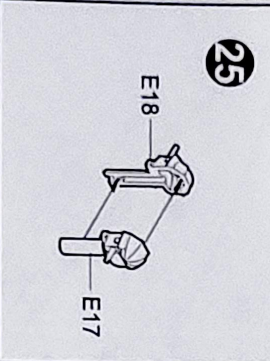
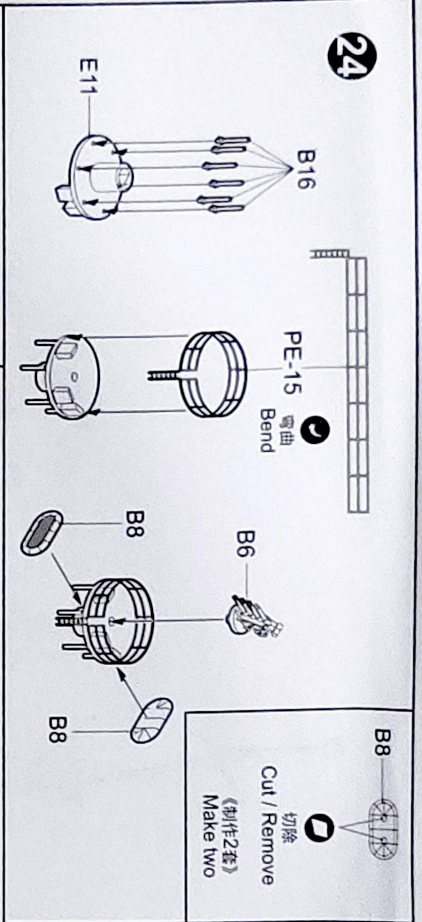


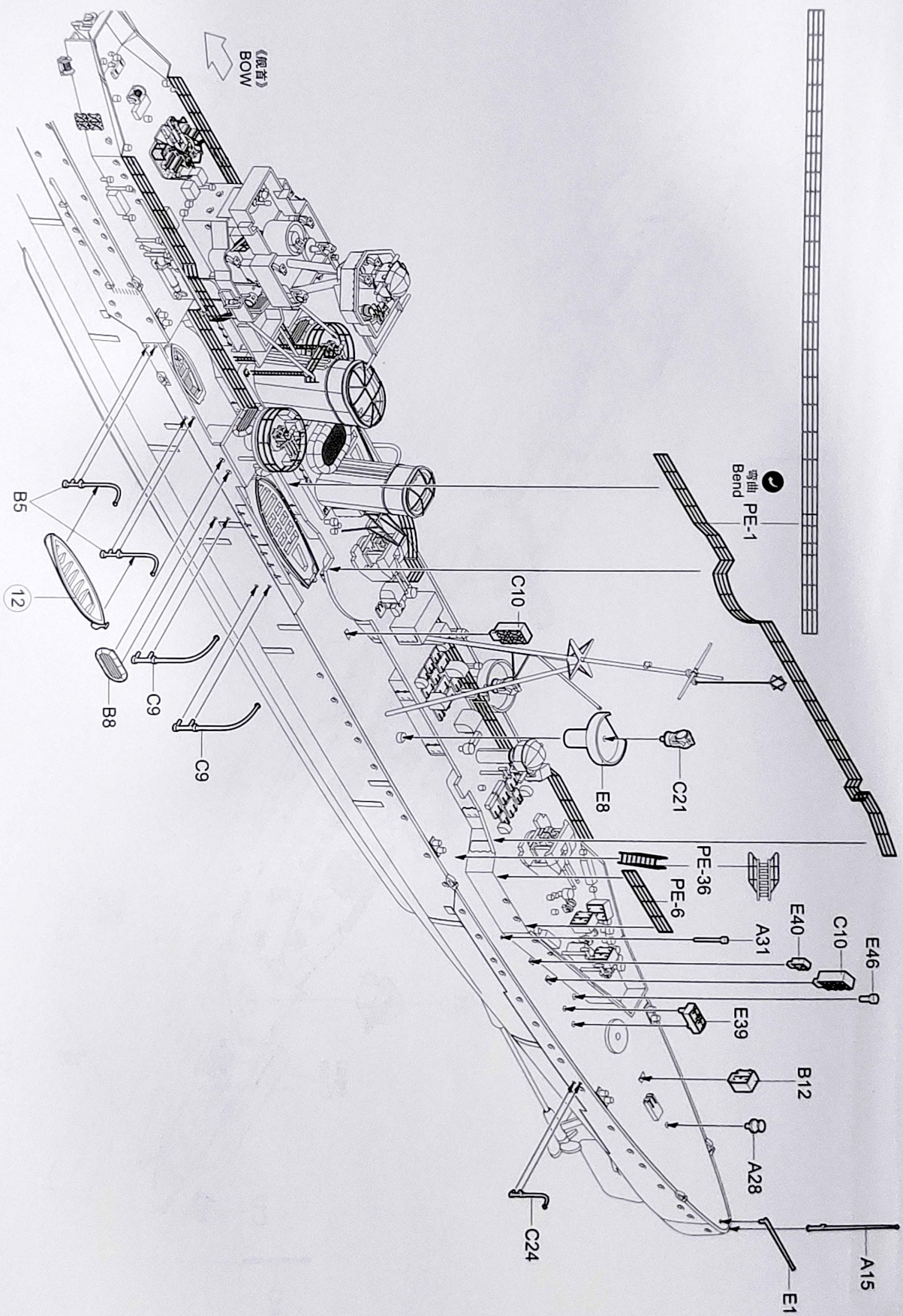
18

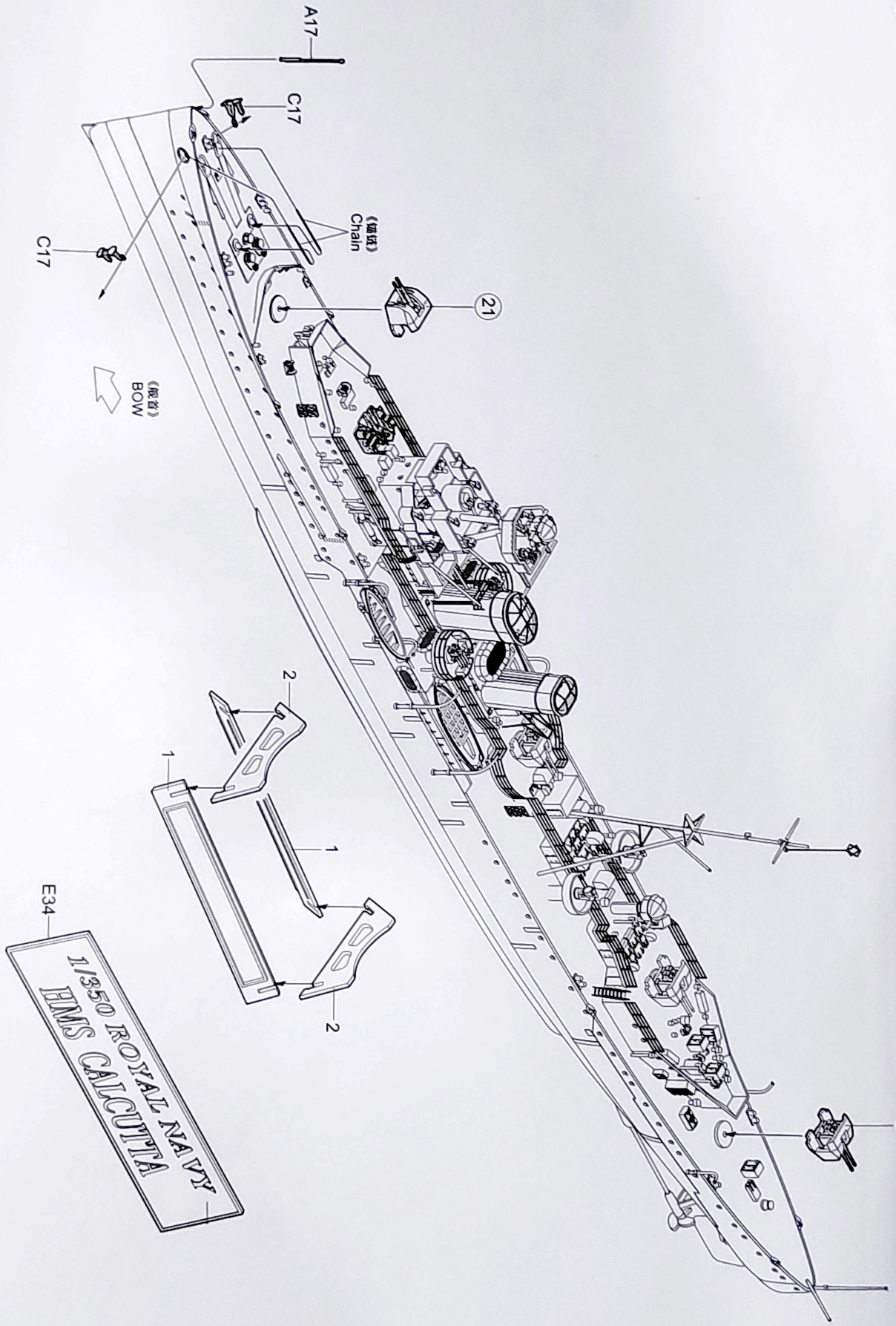




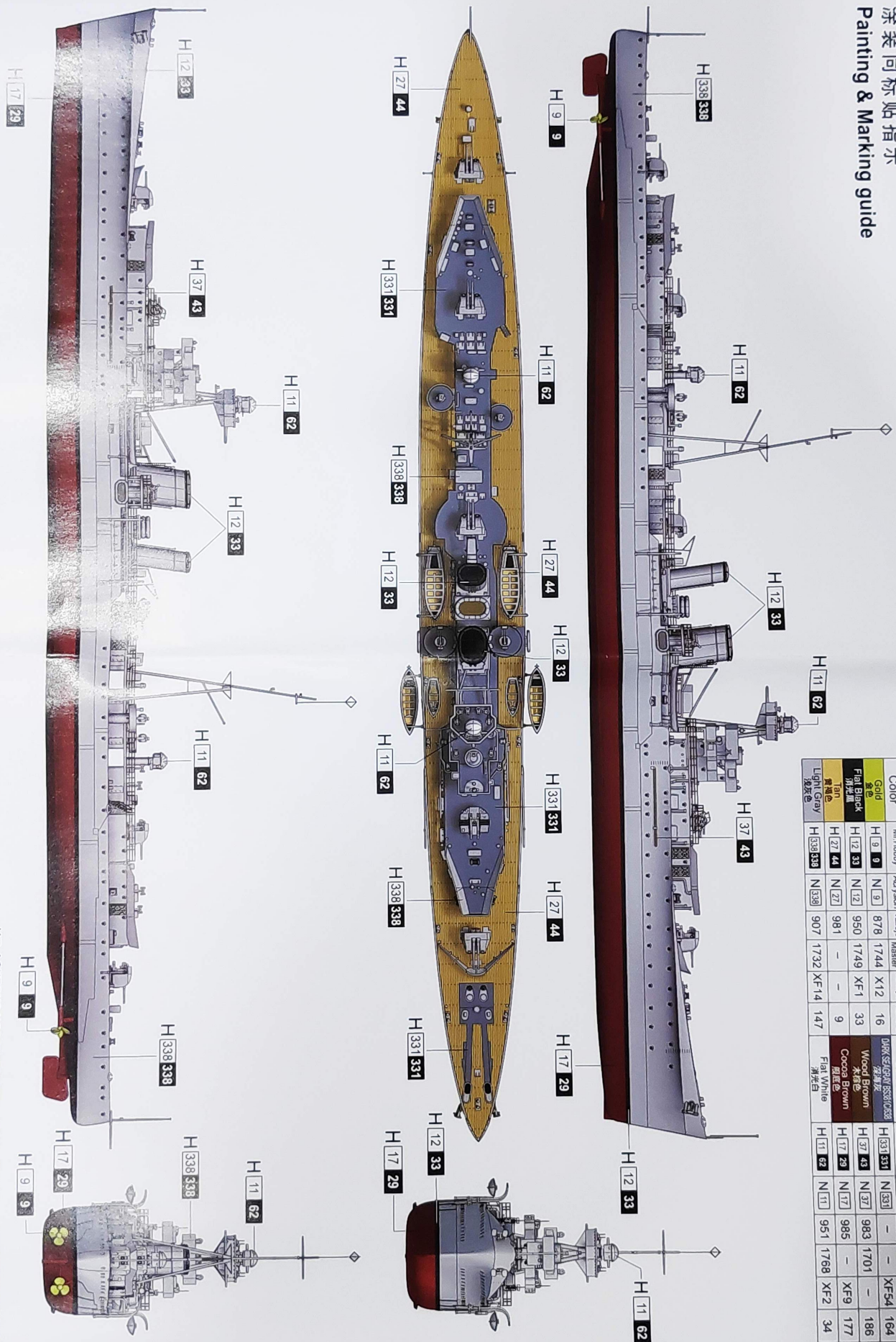








涂装同标贴指示 Painting & Marking guide



PAINT REFERENCE COLOR

Color	Mr.Hobby	Acrsion	Vallejo	Model Master	Tamiya	Humbrol	Color	Mr.Hobby	Acrsion	Vallejo	Model Master	Tamiya	Humbrol
Gold 金色	H 9 9	N 9	878	1744	X12	16	Dark Saffron 深赭黄	H 331 331	N 331	-	-	XF54	164
Flat Black 哑光黑	H 12 33	N 12	950	1749	XF-1	33	Wood Brown 木棕色	H 37 43	N 37	983	1701	-	186
Tan 黄褐色	H 27 44	N 27	981	-	-	9	Cocoa Brown 可可棕色	H 17 29	N 17	985	-	XF9	177
Light Gray 浅灰色	H 338 338	N 338	907	1732	XF-14	147	Flat White 哑光白	H 11 62	N 11	951	1768	XF-2	34

AQUEOUS HOBBY COLOR
 Mr. COLOR
 ACRSION COLOR