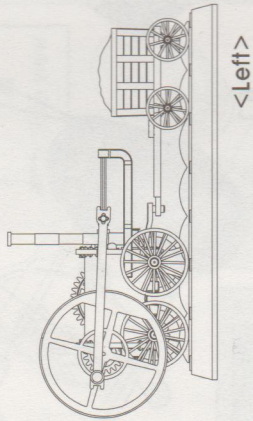
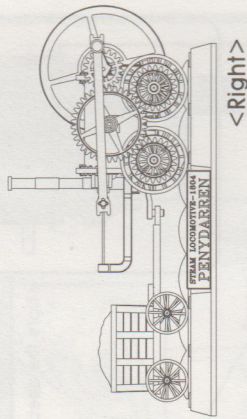
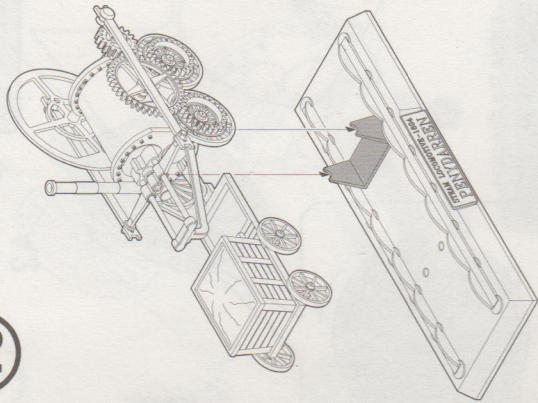


10

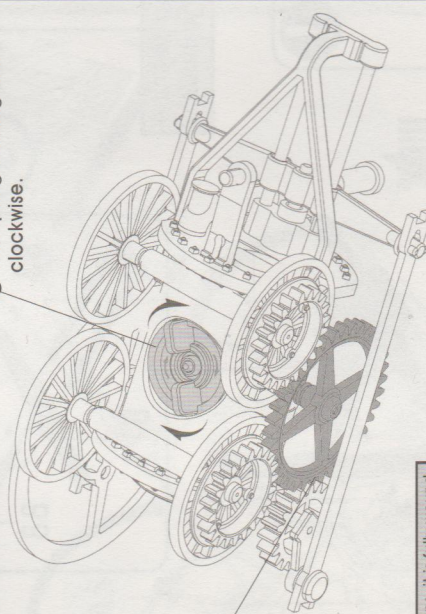
■ Finished Model Views



■ How to Operate

※ Follow the step in the order below.

- ① Make sure these are not turning.
- ② Turn spring winding unit clockwise.



※ When Spring Winding Unit stops, it is fully wound. Do not force beyond this point.

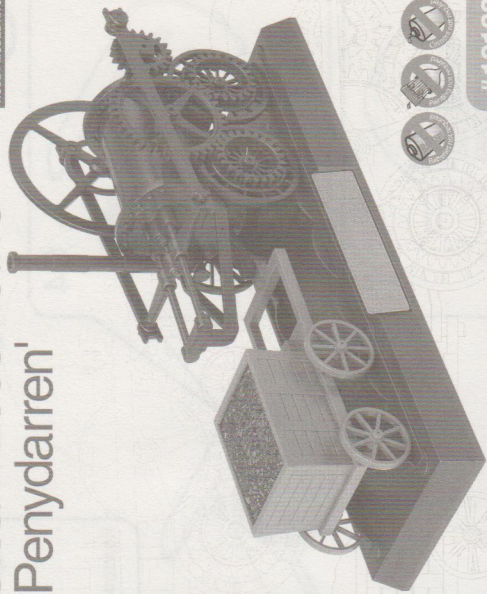
Educational Kit

14+

FOR PARTS TO BE USED IN
▶ WARNING ▶ CHECKING INSTRUCTIONS
▶ WARNING ▶ CHECKING INSTRUCTIONS

www.academyhobby.com

Steam Locomotive
'Penydarren'



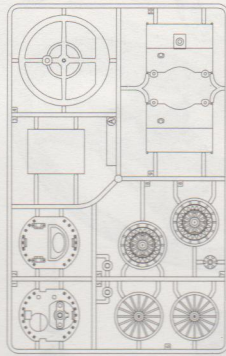
ACADEMY
HOBBY MODEL KITS



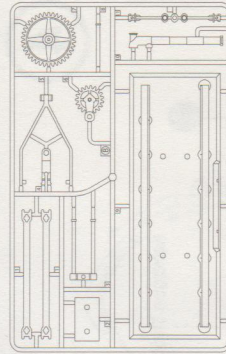
#18133

Parts Locating Diagram

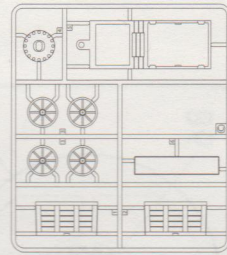
A



B



C



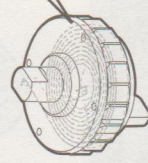
Hexagon Shaft(Short)



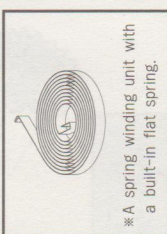
Hexagon Shaft(Long)



Round Shaft X4



Spring Winding Unit



※ A spring winding unit with a built-in flat spring.

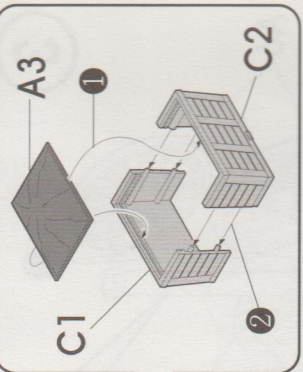
ACADEMY
HOBBY MODEL KITS

ACADEMY
ACADEMY PLASTIC MODEL CO., LTD.
617-1 Nagayama-cho, Utsunomiya, Tochigi-shi, Japan

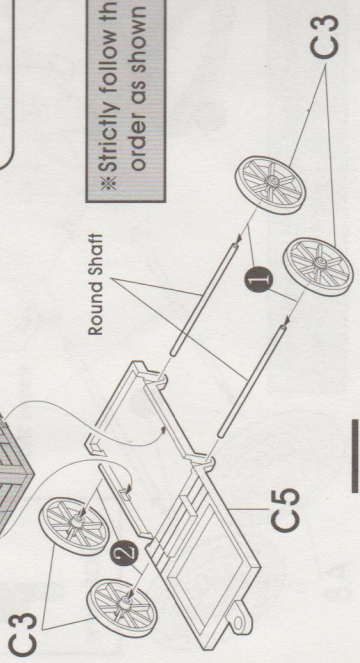
Copyright 2010 Academy Plastic Model Co., Ltd.

7

※Align the pegs and holes, then push together.

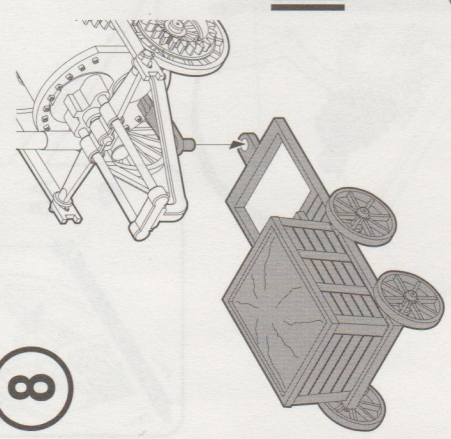


※Strictly follow the assembly order as shown by the numbers.



8

※Item B2 can be placed on left or right side.



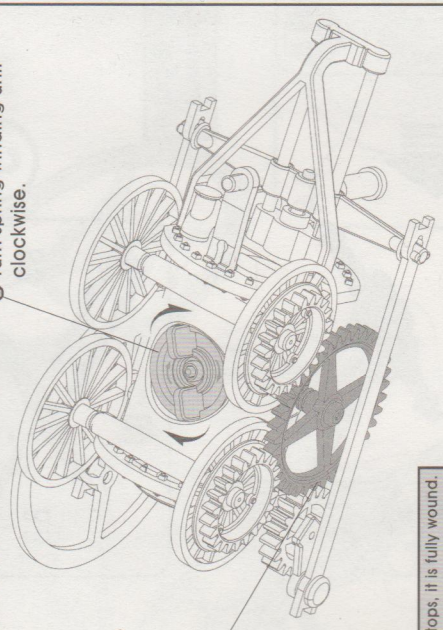
9

How to Operate

※Follow the step in the order below.

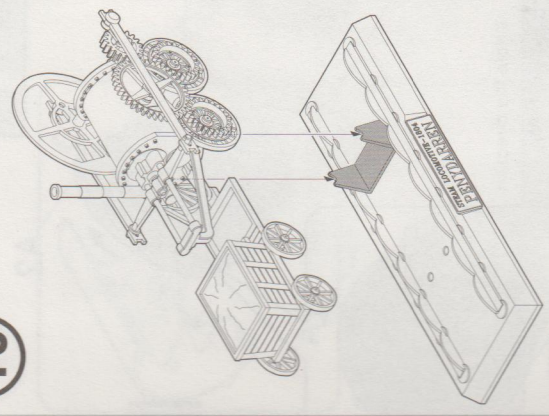
❶ Make sure these are not turning.

❷ Turn spring winding unit clockwise.

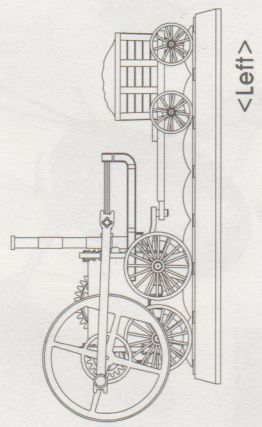
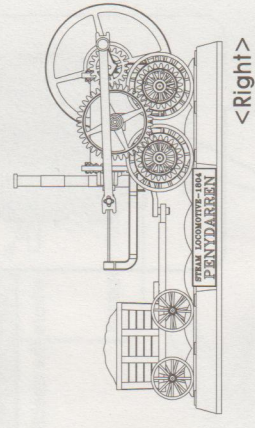


※When Spring Winding Unit stops, it is fully wound. Do not force beyond this point.

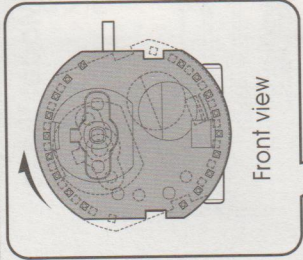
Finished Model Views



10



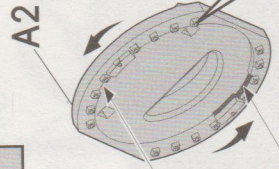
2



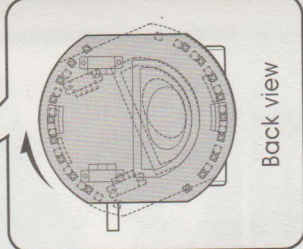
Front view

※ Align the end plate with the locomotive boiler body, then turn clockwise until it clicks.

※ Note the direction.



A2

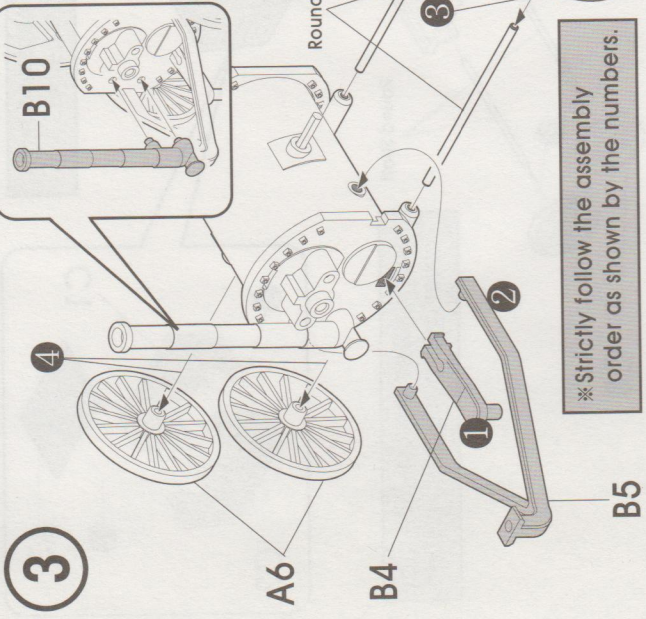


Back view

※ Note the direction.
※ Align the end plate with the locomotive boiler body, then turn clockwise until it clicks.

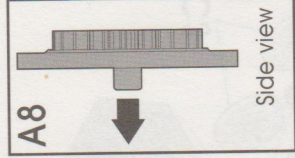


3



Round Shaft

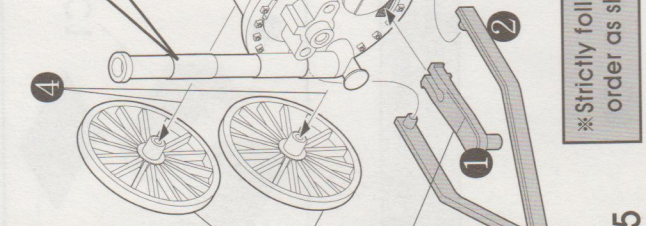
※ Strictly follow the assembly order as shown by the numbers.



A8

Side view

4



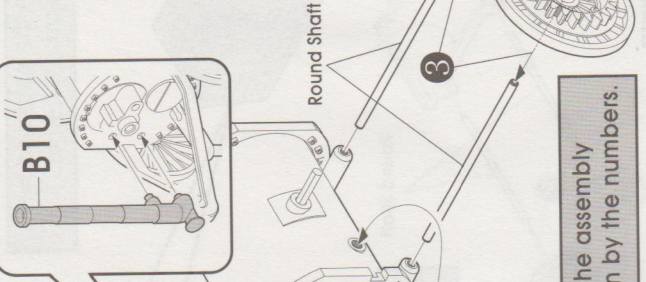
A6

B4

B5

B10

5

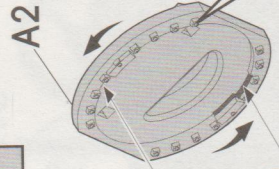


A1

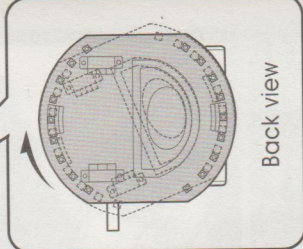
Front view

※ Align the end plate with the locomotive boiler body, then turn clockwise until it clicks.

※ Note the direction.



A2

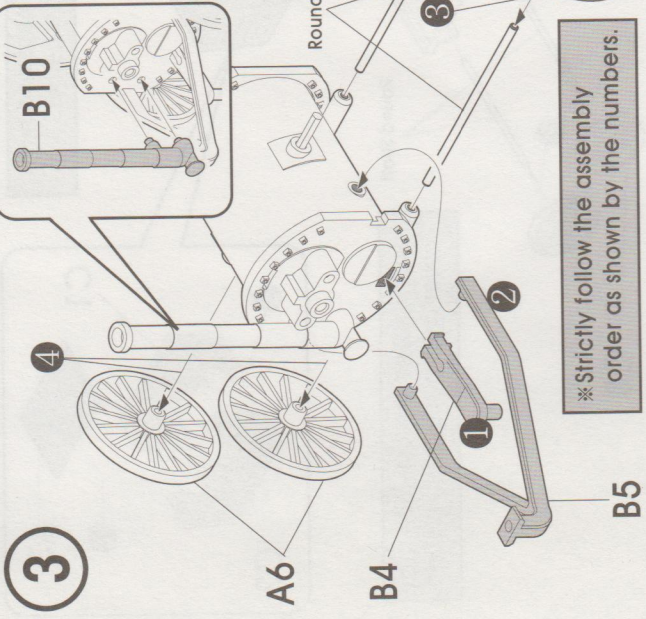


Back view

※ Note the direction.
※ Align the end plate with the locomotive boiler body, then turn clockwise until it clicks.

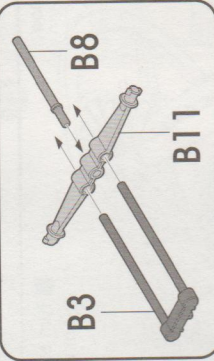


6



A4 and B6 in the position as shown.

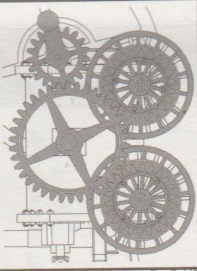
5



B3

B11

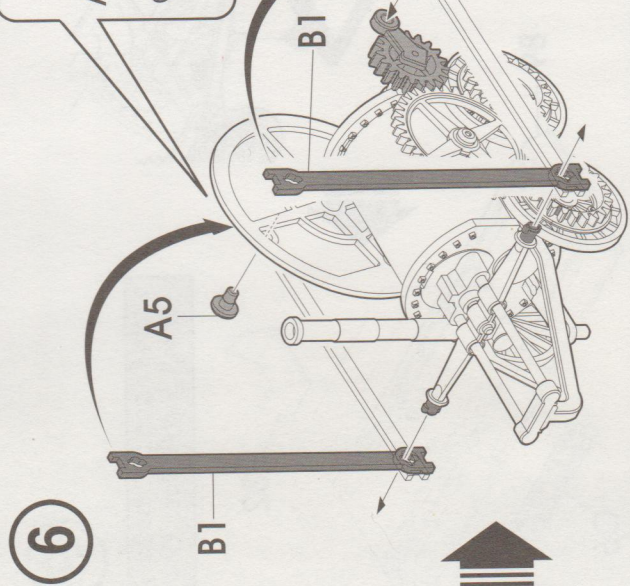
B8



※ Be careful and make sure all the gear cogs are aligned properly.

B7

6



B1

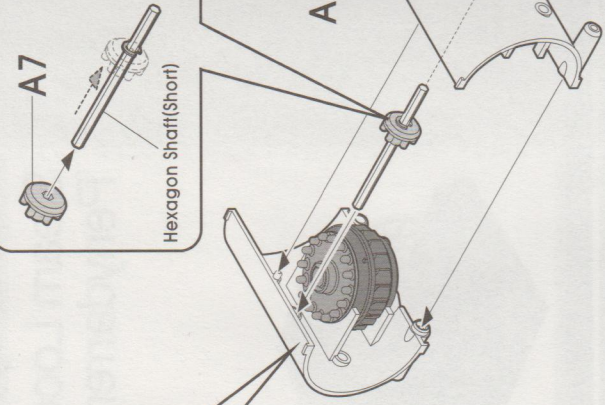
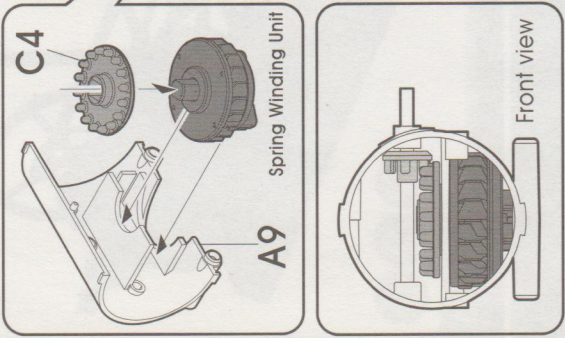
A5

B1

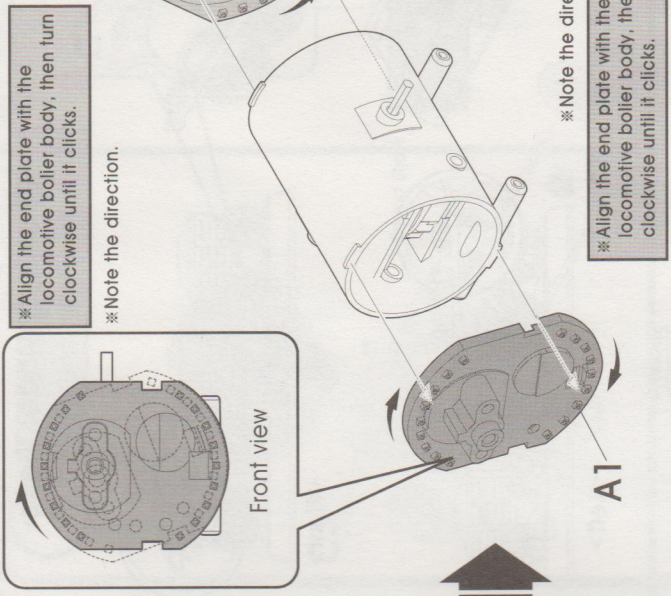
A5



1



2



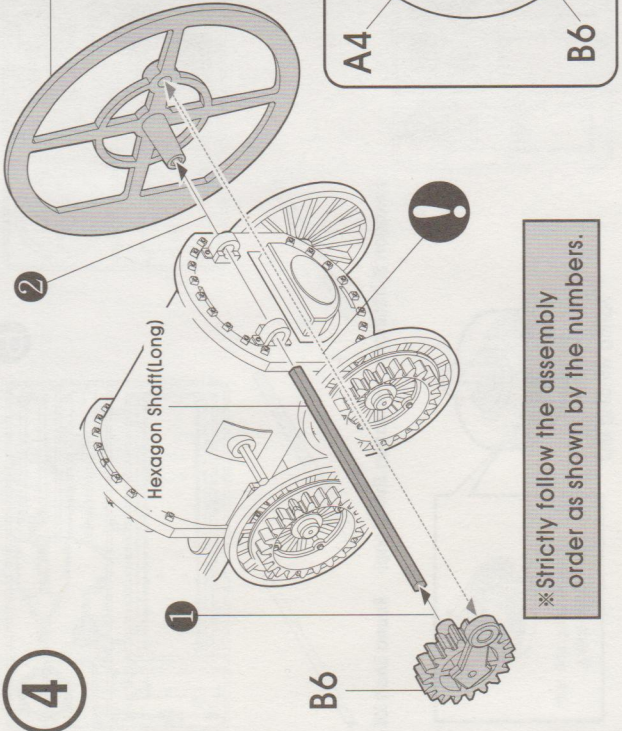
※Align the end plate with the locomotive boiler body, then turn clockwise until it clicks.

※Note the direction.

※Note the direction.

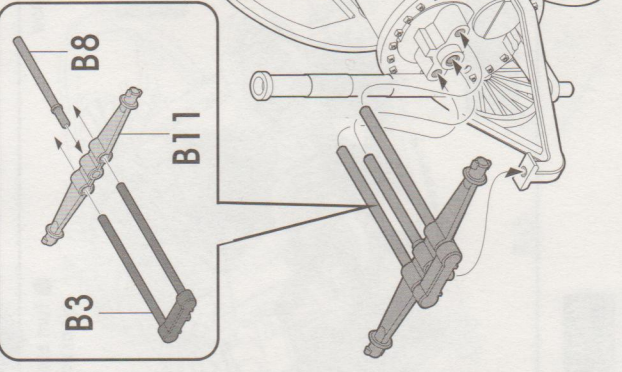
※Align the end plate with the locomotive boiler body, then turn clockwise until it clicks.

4



※Strictly follow the assembly order as shown by the numbers.

5



※Be careful and make sure all the gear cogs are aligned properly.

※Assemble A4 and B6 in the same direction as shown.