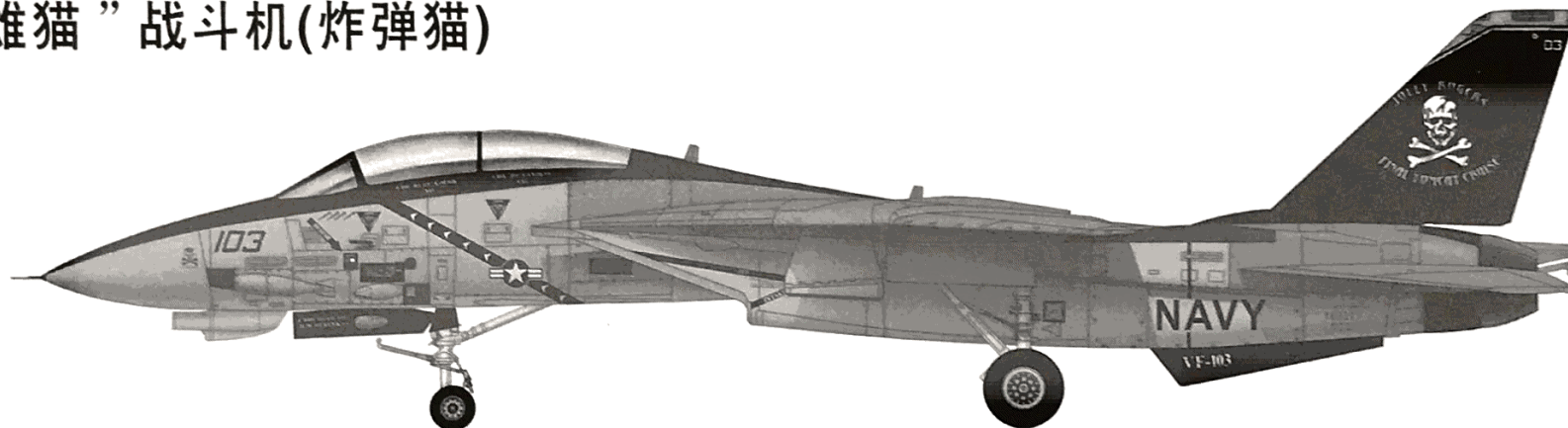


# F-14B TOMCAT (Bomb-cat)

F-14B “雄猫”战斗机(炸弹猫)



READ BEFORE ASSEMBLY:

- Study and understand these instructions thoroughly before beginning assembly
- When needed, remove photo-etch parts carefully using a modeling knife or photo etch sprue cutter, being careful not to damage or lose small parts.
- Take extra care in handling photo etch parts in order to avoid injury
- Apply instant cement sparingly to photo etch parts where instructed

- Tools recommended(not included in kit):Plastic and instant cements,sprue cutters,long nose pliers,modeling knife, small files, tweezers, pin vise & scissors. Soft cloth and sandpaper will also assist in construction
- Glue and paint are not included in the kit. Use plastic cement and hobby paints only. Color guide for purchasing paint is included in the kit.

装配之前仔细阅读

- 小心用模型锉刀锉平所有零件表面的注射浇口。
- 小心用刀片切下蚀刻片零件，不要遗失小零件。
- 用强力快干胶水粘合蚀刻片零件和金属轴。过量快干胶水使用可能导致可动零件会粘住，小心涂胶。
- 取蚀刻片时应特别注意安全，防止利边划伤手指。
- 某些零件表面需贴水贴纸，请选择在装配的同时进行。
- 推荐模型工具(自备)：胶水，水口剪刀，长咀钳，刀片，锉刀，镊子，钳，钻，剪刀，瞬间快干胶。
- 软布同砂纸同时也应该是必备工具。
- 请使用塑料胶水和油漆，模型内不含。

水贴纸的使用:

1. 从水贴上剪下印花;
2. 将印花放入温水中浸10秒，然后放在干净布上。
3. 拿着印花纸板将印花移到模型上;
4. 手指蘸水将印花移到适当的位置;
5. 用软布轻压印花直至水干，气泡消失。

DECAL APPLICATION:

1. Cut decals from sheet as needed
2. Dip the decal in warm water for about 10 seconds and then place on soft clean cloth.
3. Hold the decal backing sheet edge and gently slide the decal onto the model in its proper position.

4. While still wet,decal can be adjusted for better fit on model by dampening it gently with your finger.
5. When placed in the proper position,gently press decal down with a soft cloth until excess water and air bubbles are gone.
6. Allow decal to dry completely before handling model



cyanoacrylate glue  
使用强力胶



weight  
配重



make hole  
钻孔



cut / remove  
切除



option  
选择



no cement  
不涂胶水



decal  
贴纸



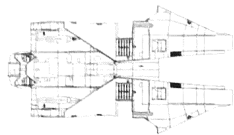
bend  
弯曲



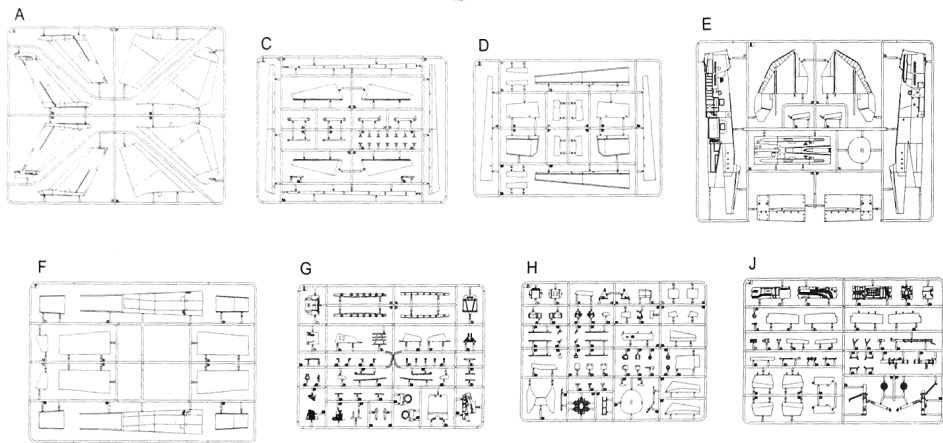
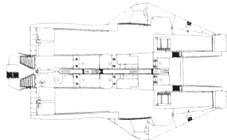
file / sand  
锉平

部品图 Parts

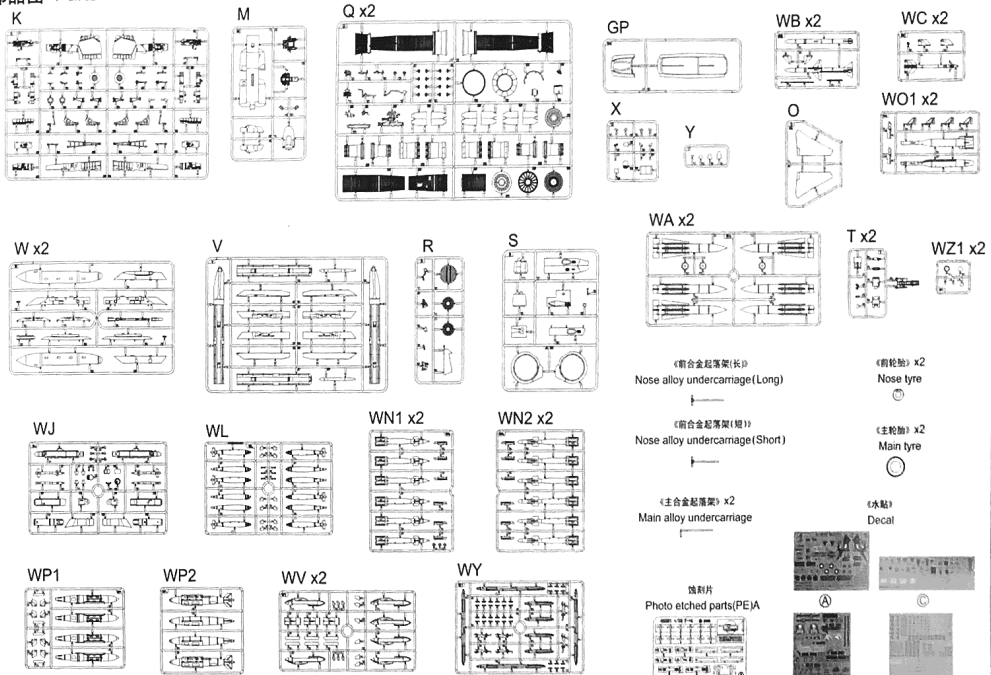
《上机身》  
Upper fuselage



《下机身》  
Lower fuselage



部品图 Parts



不用的部件 V7 V9 W3 W6 W7 X5 X7 X11 X12 X13 X14 WJ1 WJ4 WJ17 WJ18 WJ19 WJ20  
Unused Parts

《前合金起落架(长)》  
Nose alloy undercarriage (Long)

《前合金起落架(短)》  
Nose alloy undercarriage (Short)

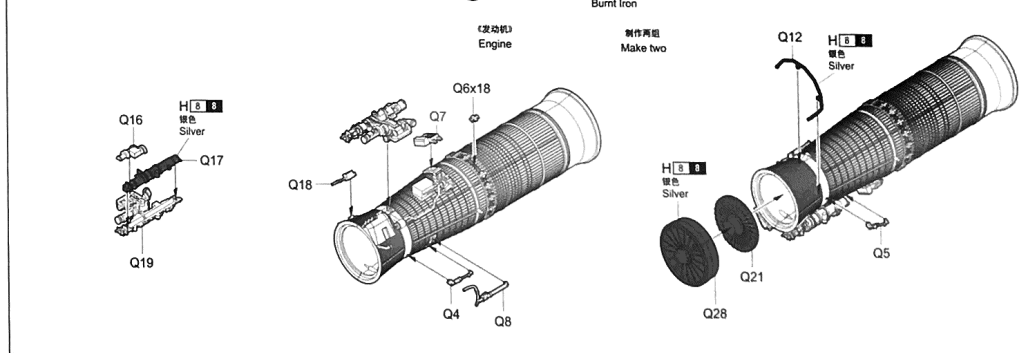
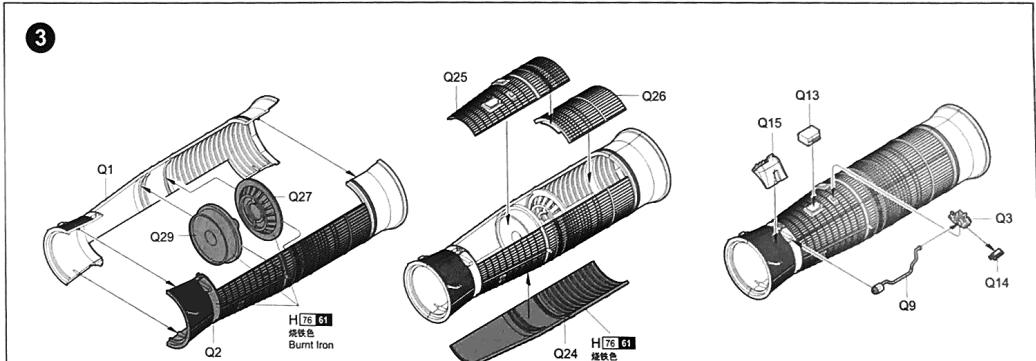
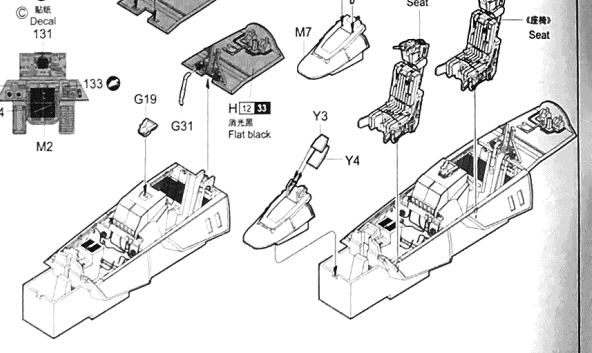
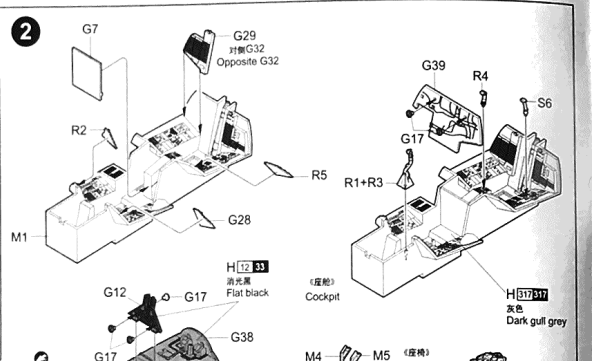
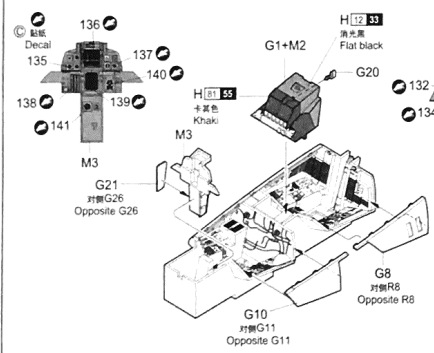
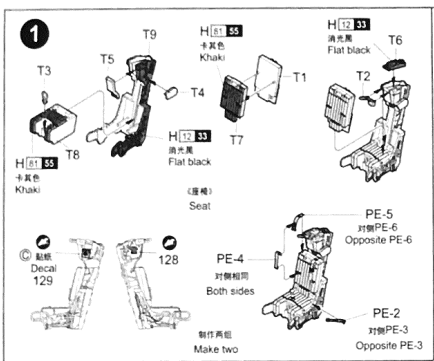
《主合金起落架》x2  
Main alloy undercarriage

《前轮胎》x2  
Nose tyre

《主轮胎》x2  
Main tyre

《水贴》  
Decal

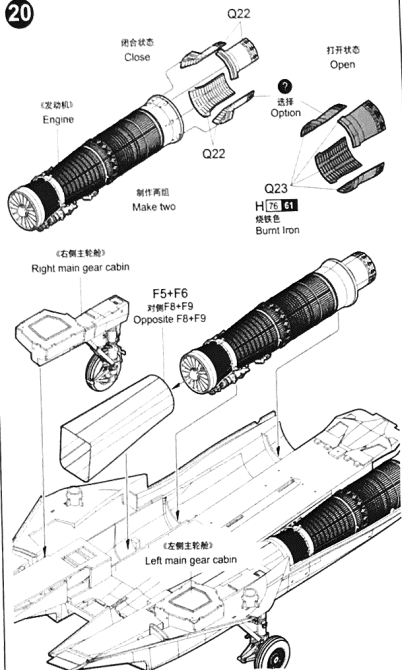




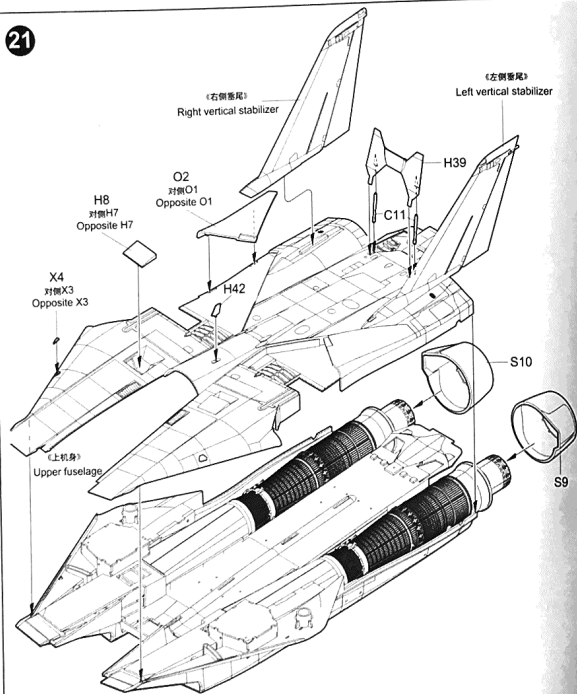




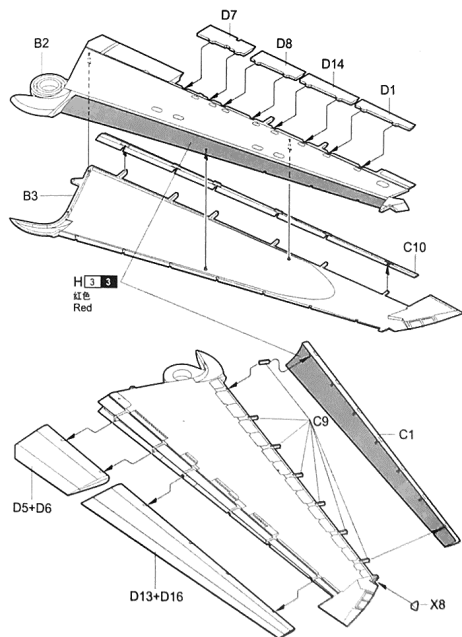
20



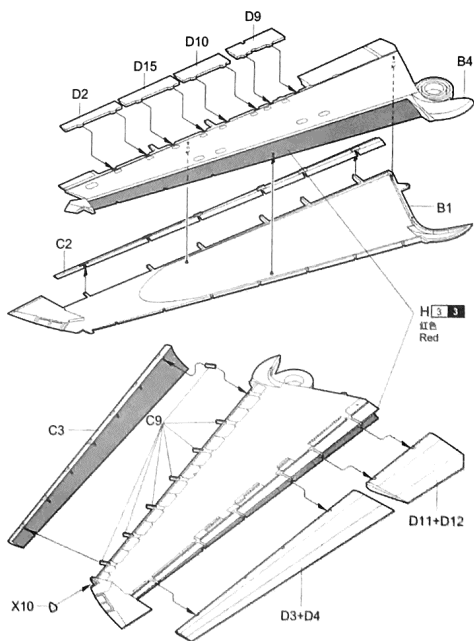
21

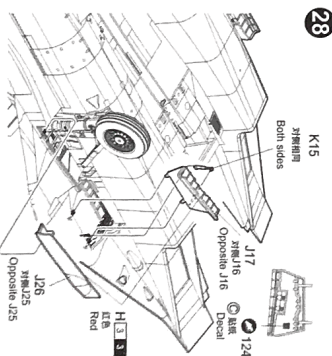
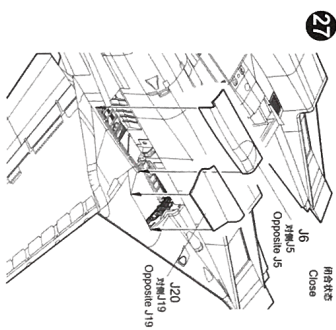
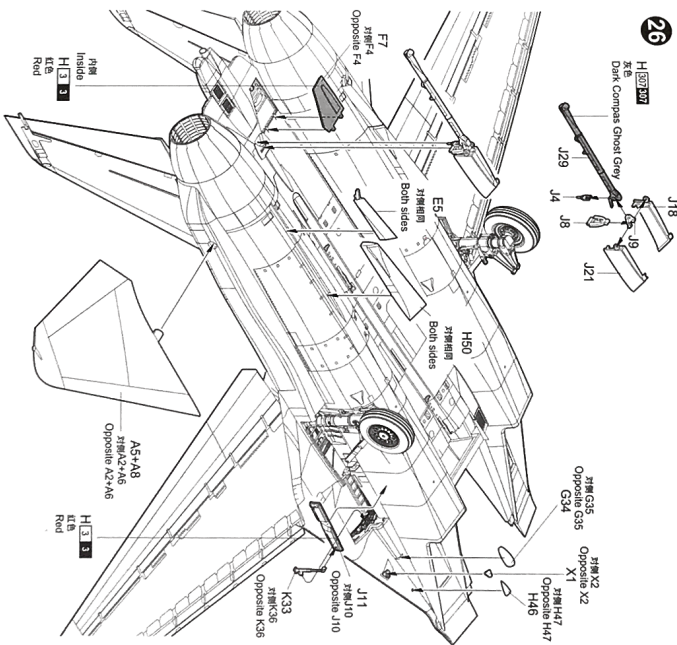
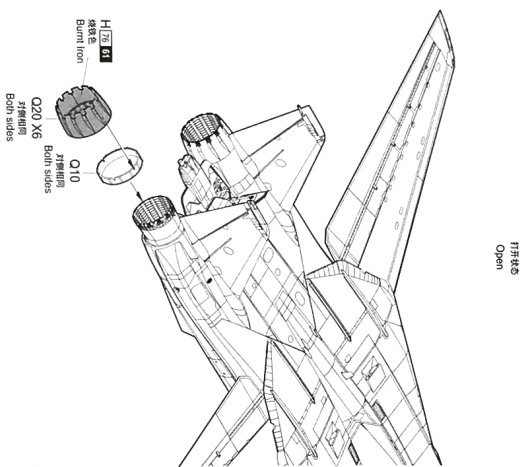
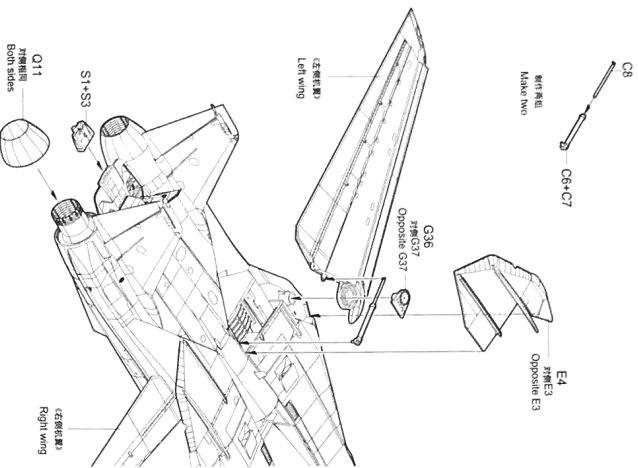


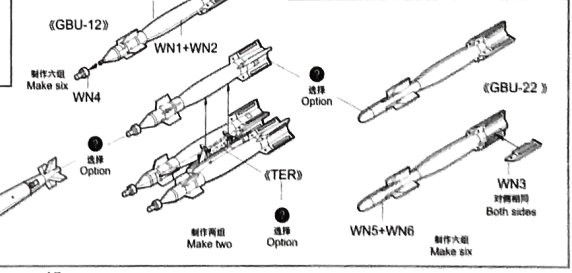
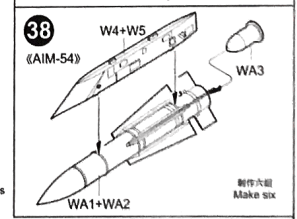
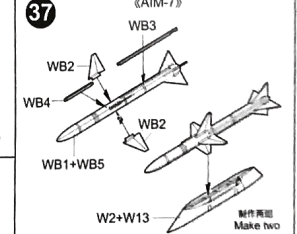
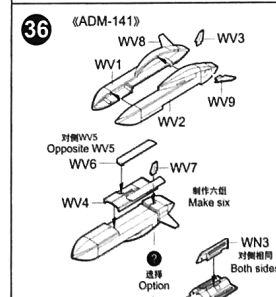
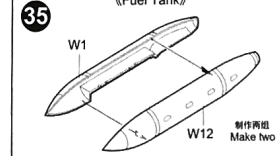
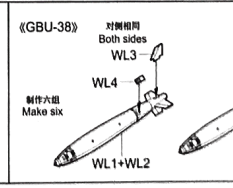
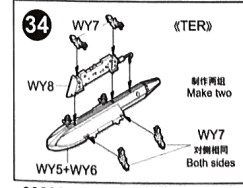
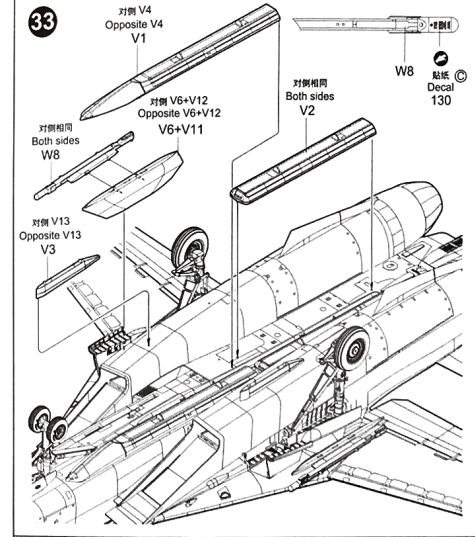
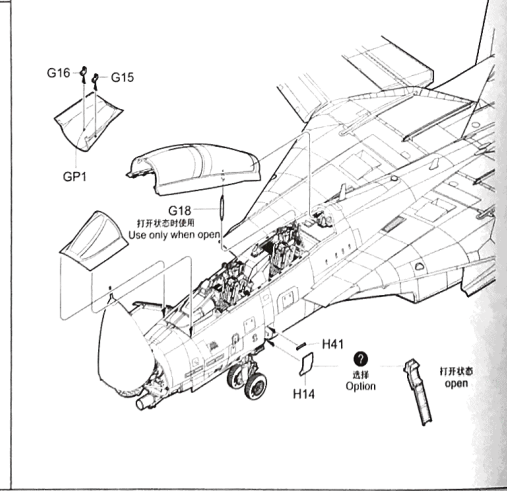
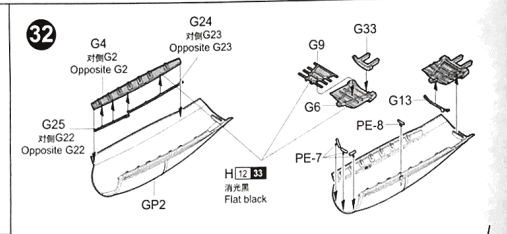
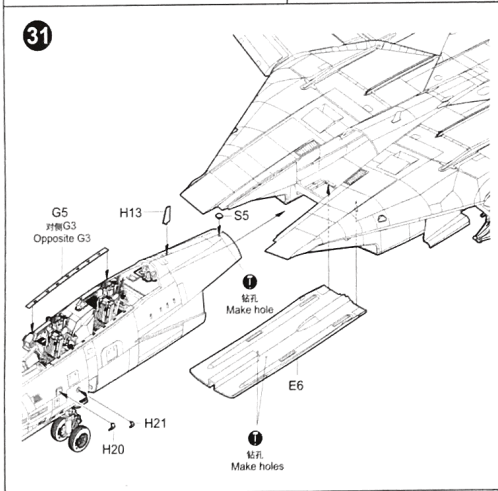
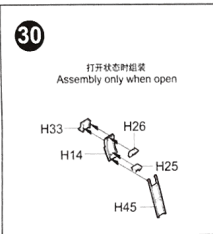
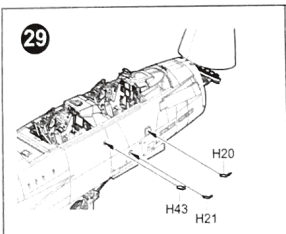
22

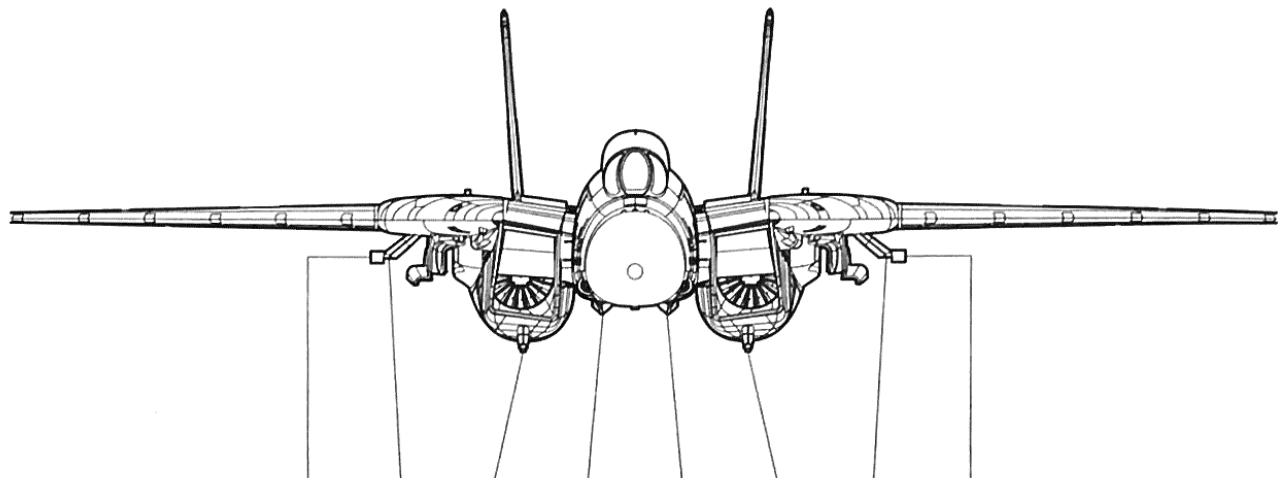
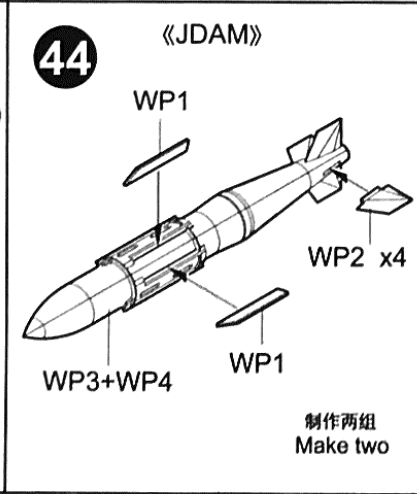
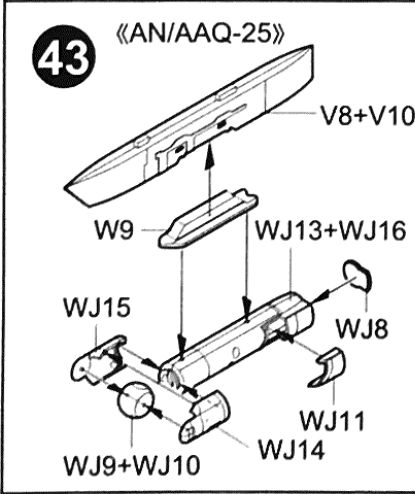
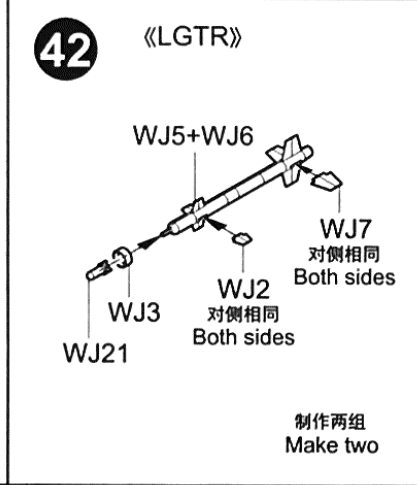
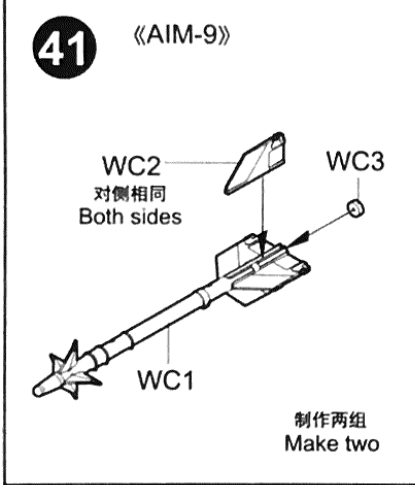
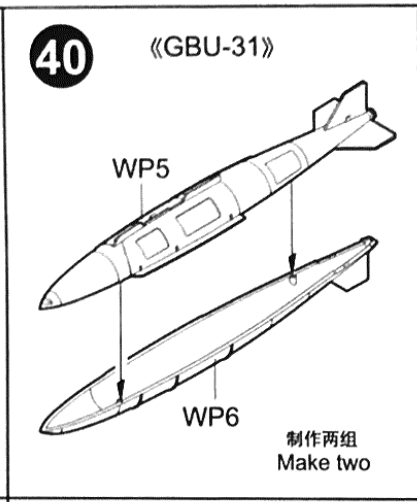
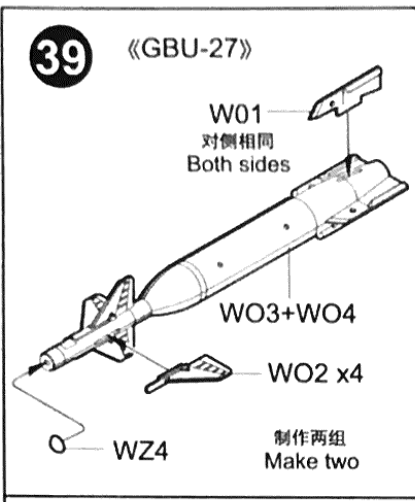
«左侧机翼»  
Left wing

23

«右侧机翼»  
Right wing







《AIM-54》		●	后 ● 前 (Back) (Front)	前 ● 后 (Front) (Back)	●	
《AIM-7》		●			●	
《AIM-9》	●					●
《Fuel Tank》			●		●	
《GBU-12》		●●	后 ● 前 (Back) (Front)	前 ● 后 (Front) (Back)	●●	
《GBU-22》		●●	后 ● 前 (Back) (Front)	前 ● 后 (Front) (Back)	●●	
《GBU-27》			●	●		
《GBU-31》			●	●		
《GBU-38》		●●	后 ● 前 (Back) (Front)	前 ● 后 (Front) (Back)	●●	
《ADM-141》		●●	后 ● 前 (Back) (Front)	前 ● 后 (Front) (Back)	●●	
《LGTR》		●			●	
《AN/AAQ-25》		●				
《JDAM》			●	●		
《TER》			●	●		

# 涂装同标贴指示 Painting & Marking guide

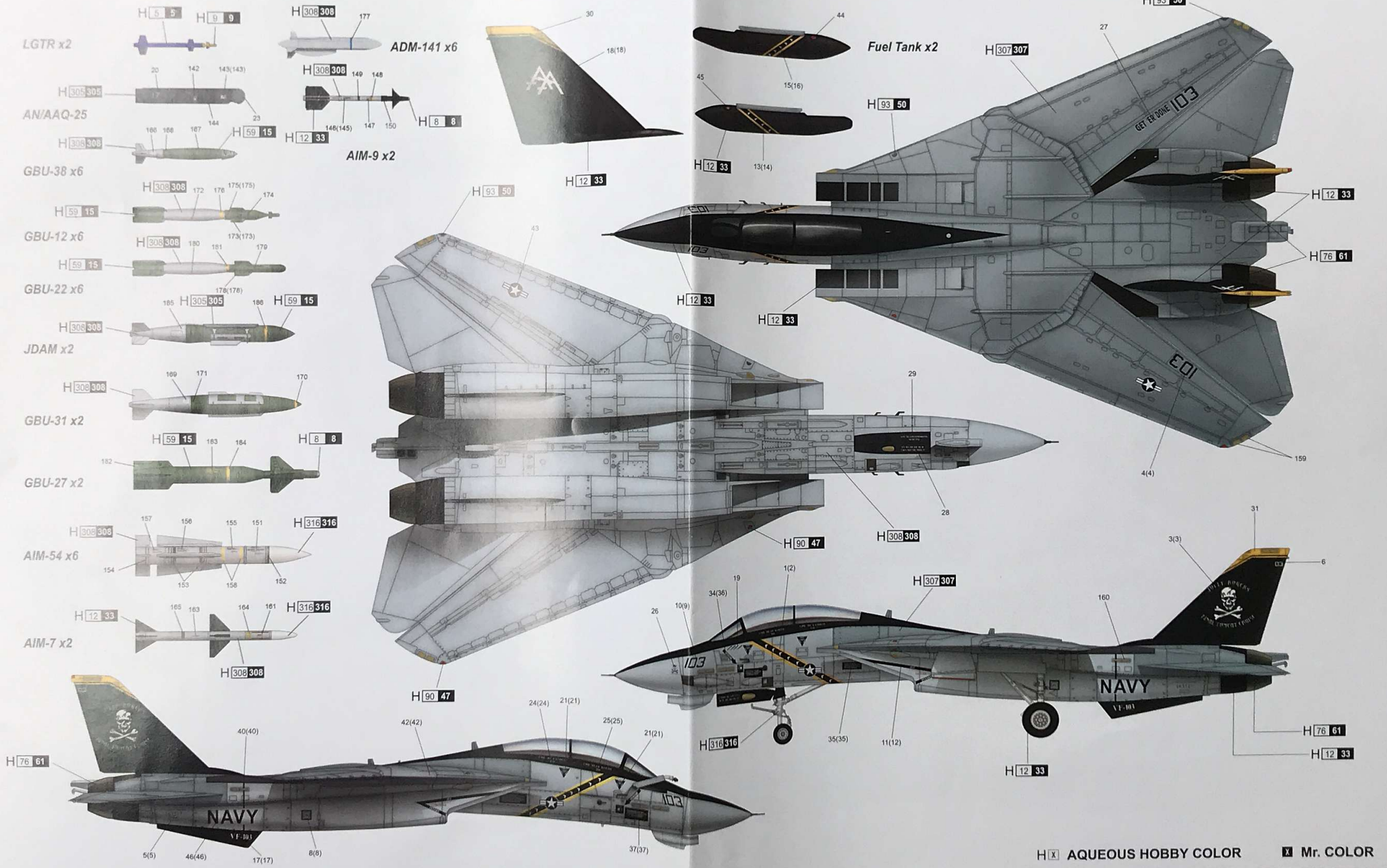
**A** F-14B TOMCAT VF-103 "Jolly Rogers",  
AA-103/163217, USS JOHN KENNEDY

Color	Mr.Hobby	Vallejo	Model Master	Tamiya	Humbrol
银色 Silver	H 8 0	997	1546	X11	11
消光黑 Flat black	H 12 33	950	1749	XF1	33
烧蚀色 Burnt Iron	H 76 61	863	1795	X10	53

Color	Mr.Hobby	Vallejo	Model Master	Tamiya	Humbrol
黄色 Yellow	H 9 9	946	-	-	51
暗红色 Candy red	H 90 47	934	-	X27	-
亮蓝色 Clear Blue	H 93 50	938	-	X23	-
草绿色 Lyn Green	H 59 15	892	-	XF11	75

Color	Mr.Hobby	Vallejo	Model Master	Tamiya	Humbrol
蓝色 Blue	H 5 5	899	1772	X3	15
灰色 Grey	H 307 307	-	1741	XF22	128
灰色 Grey	H 308 308	990	1728	XF19	127

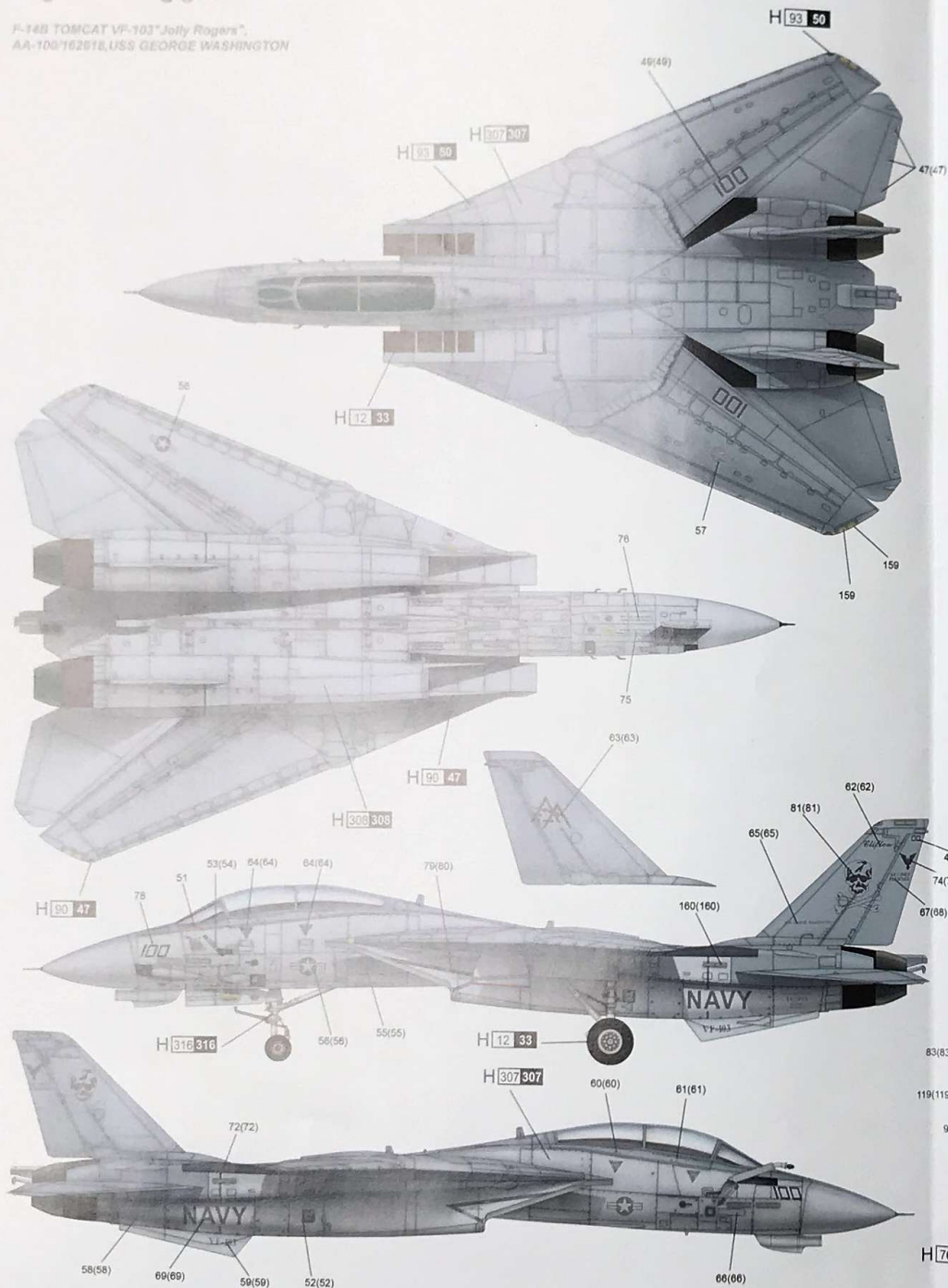
Color	Mr.Hobby	Vallejo	Model Master	Tamiya	Humbrol
兰色 Blue	H 326 326	-	1719	XF17	189
白色 White Insignia	H 316 316	991	1745	X2	22
深灰色 Medium Gunship Grey	H 305 305	868	1723	XF58	125



H X AQUEOUS HOBBY COLOR X Mr. COLOR

涂装同标贴指示  
Painting & Marking guide

**B** F-14B TOMCAT VF-103 "Jolly Rogers",  
AA-100/162618, USS GEORGE WASHINGTON



**C** F-14B TOMCAT VF-11 "Red Rippers",  
AG-200/163227, USS GEORGE WASHINGTON

Fuel Tank x2



H [ ] AQUEOUS HOBBY COLOR    [ ] Mr. COLOR