

俄罗斯BTR-60PB型装甲运输车

Russian BTR-60PB

READ BEFORE ASSEMBLY:

- Study and understand these instructions thoroughly before beginning assembly
- When needed, remove photo-etch parts carefully using a modeling knife or photo etch sprue cutter, being careful not to damage or lose small parts.
- Take extra care in handling photo etch parts in order to avoid injury
- Apply instant cement sparingly to photo etch parts where instructed
- Tools recommended(not included in kit):Plastic and instant cements, sprue cutters,long nose pliers,modeling knife, small files, tweezers, pin vise & scissors. Soft cloth and sandpaper will also assist in construction
- Glue and paint are not included in the kit. Use plastic cement and hobby paints only. Color guide for purchasing paint is included in the kit.

装配之前仔细阅读

- 小心用模型锉刀锉平所有零件表面的注射浇口。
- 小心用刀片切下蚀刻片零件，不要遗失小零件。
- 用强力快干胶水粘合蚀刻片零件和金属轴。过量快干胶水使用可能导致可动零件会粘住，小心涂胶。
- 取蚀刻片时应特别注意安全，防止利边划伤手指。
- 某些零件表面需贴上水贴纸，请选择在装配的同时进行。
- 推荐模型工具(自备)：胶水，水口剪刀，长咀钳，刀片，锉刀，镊子，钳，钻，剪刀，瞬间快干胶。
- 软布同砂纸同时也应该是必备工具。
- 请使用塑料胶水和油漆，模型内不含。

配重
Weight使用强力胶
Cyanoacrylate glue钻孔
Make hole切除
Cut / Remove贴纸
Decal锉平
File / Sand选择
Option不涂胶水
No cement弯曲
Bend

水贴纸的使用:

- 1.从水贴纸上剪下印花;
- 2.将印花放入温水中浸10秒,然后放在干净布上。
- 3.拿着印花纸板将印花移到模型上;
- 4.手指蘸水将印花移到适当的位置;
- 5.用软布轻压印花直至水干, 气泡消失

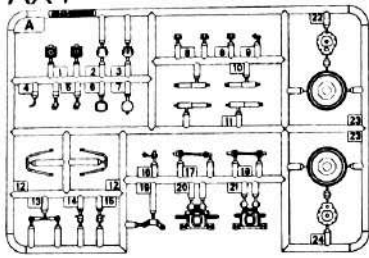
DECAL APPLICATION

- 1.Cut decals from sheet as needed
- 2.Dip the decal in warm water for about 10 seconds and then place on soft clean cloth.
- 3.Hold the decal backing sheet edge and gently slide the decal onto the model in its proper position.

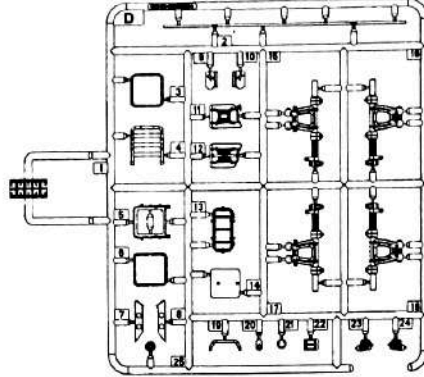
- 4.While still wet,decal can be adjusted for better fit on model by dampening it gently with your finger.
- 5.When placed in the proper position,gently press decal down with a soft cloth until excess water and air bubbles are gone.
- 6.Allow decal to dry completely before handling model

部品图 Parts

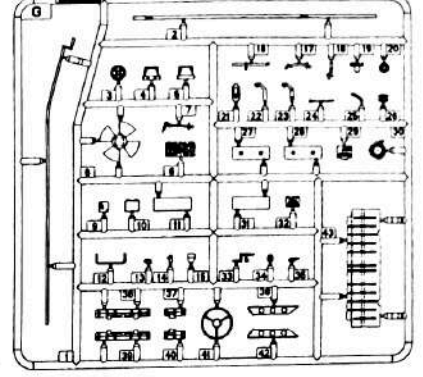
AX4



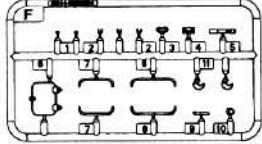
DX2



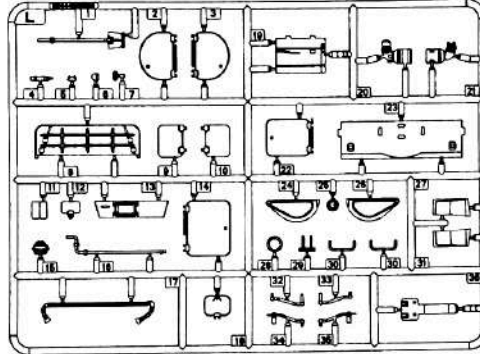
G



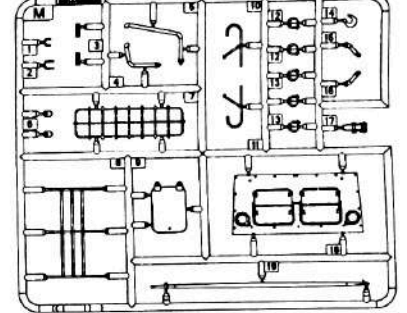
FX2



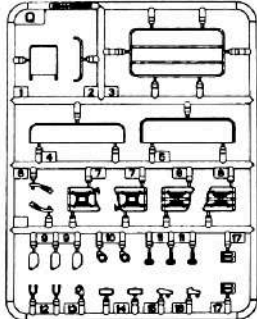
L



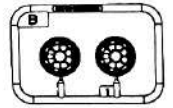
M



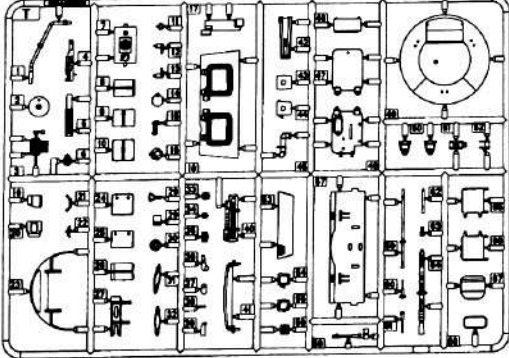
QX2



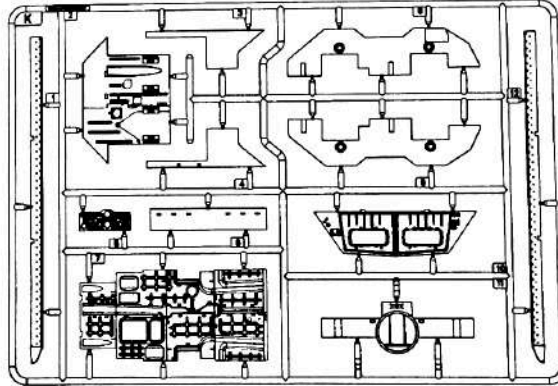
BX4



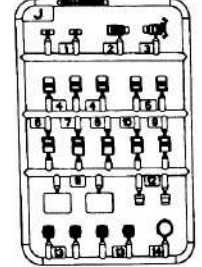
T



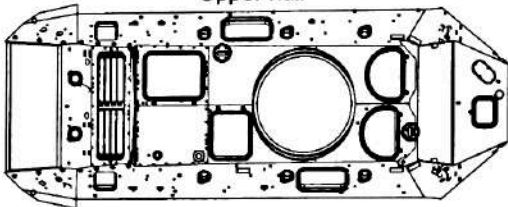
K



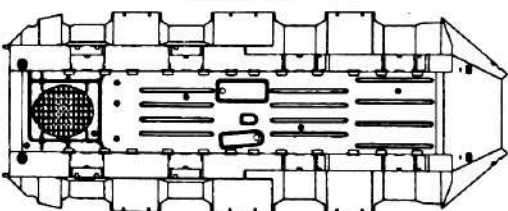
J



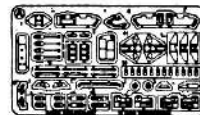
《车面》
Upper hull



《车底》
Lower hull



《蚀刻片》
PE-A



《轮胎》
TyreX8



《聚乙烯套》
Poly cap



《蚀刻片》
PE-B

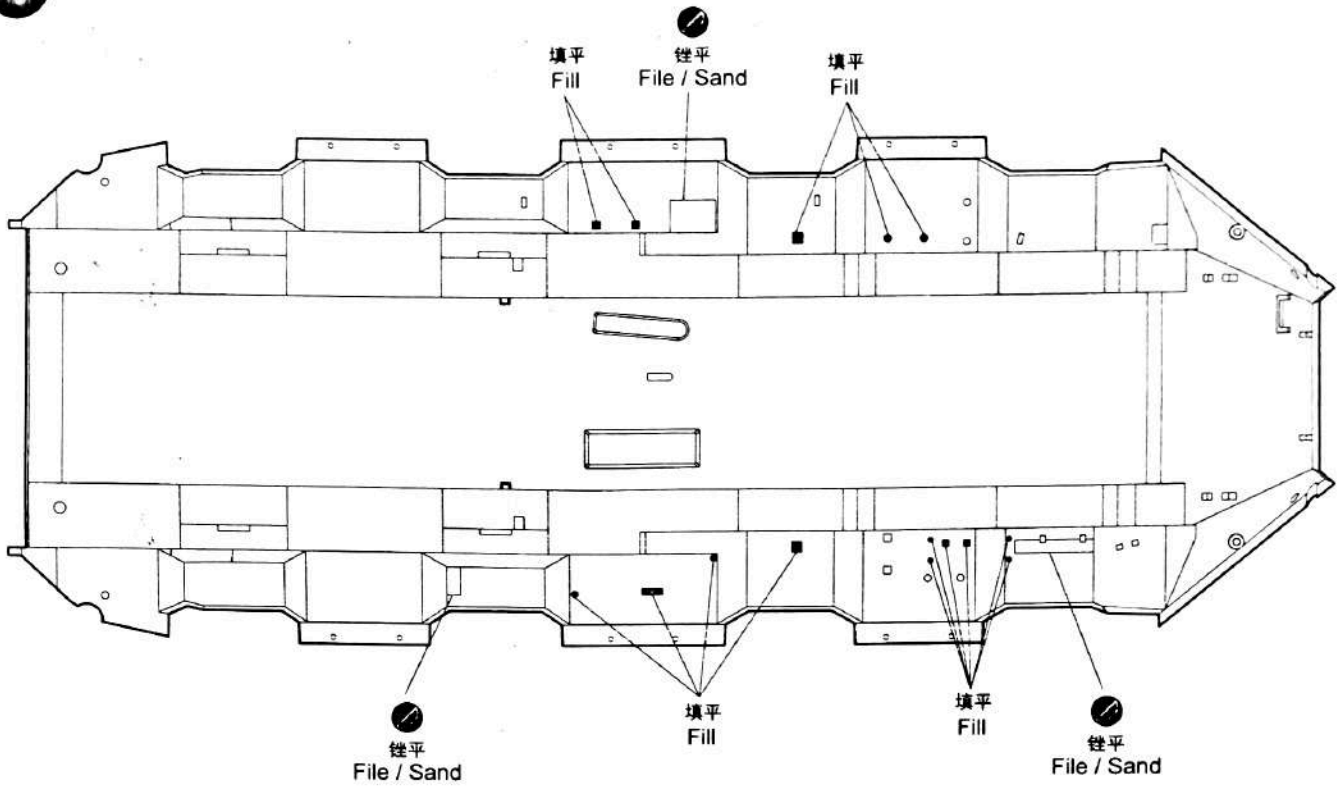


《水贴》
Decal



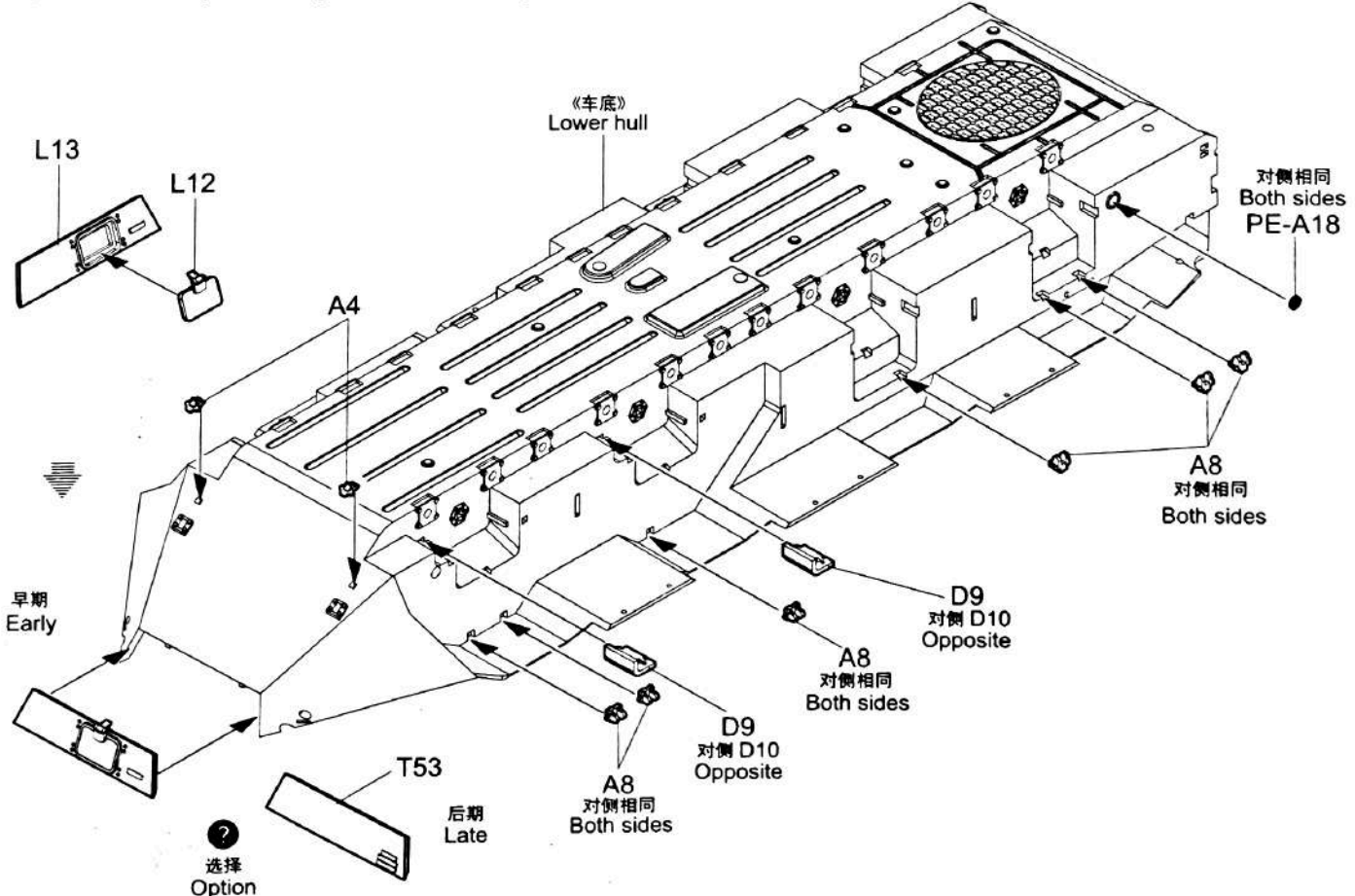
不用部品: J1、PE-A1、PE-A11、PE-A12、PE-23、PE-24
Unused parts

1

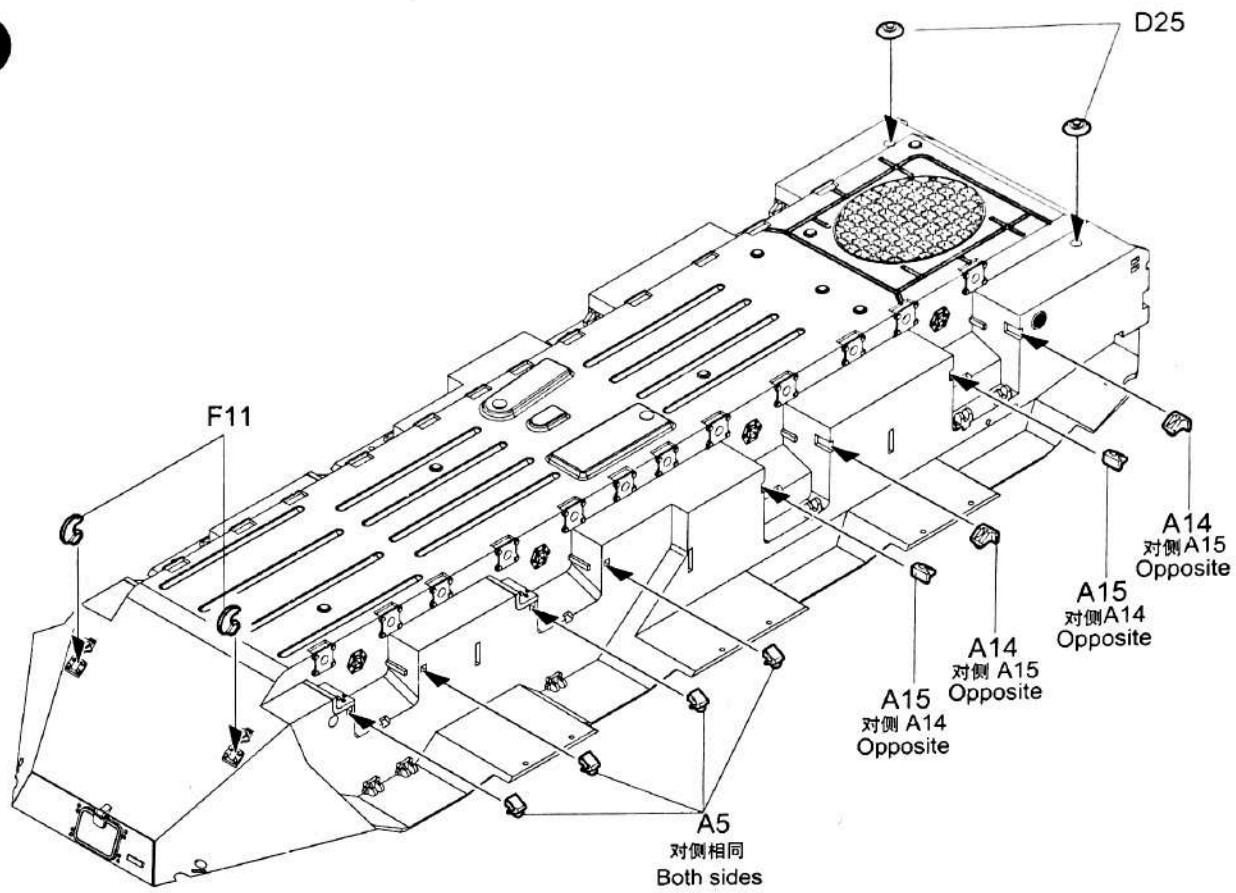


2

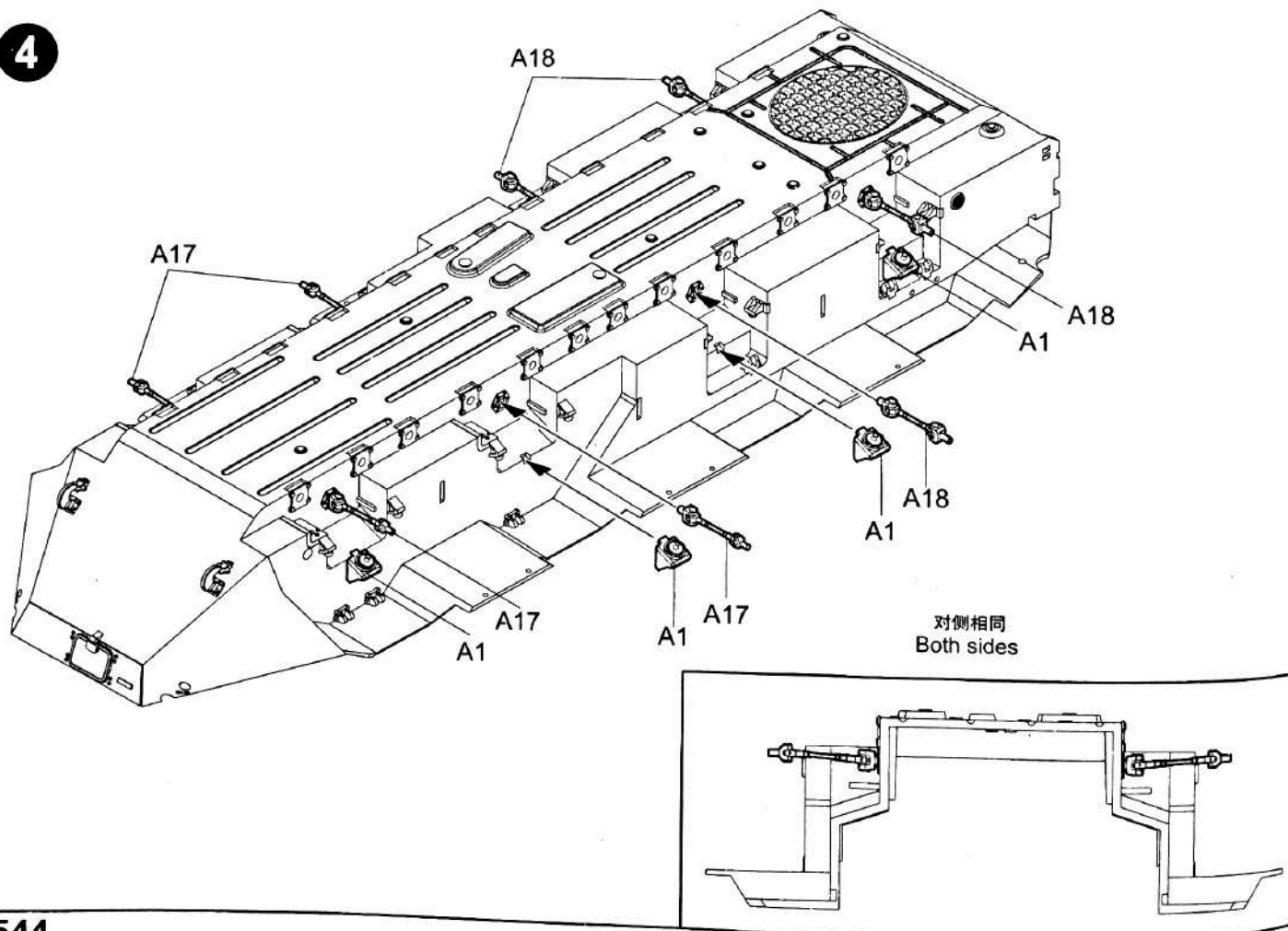
请在组装之前先选择早期型或后期型。
Please option early or late assembly before.



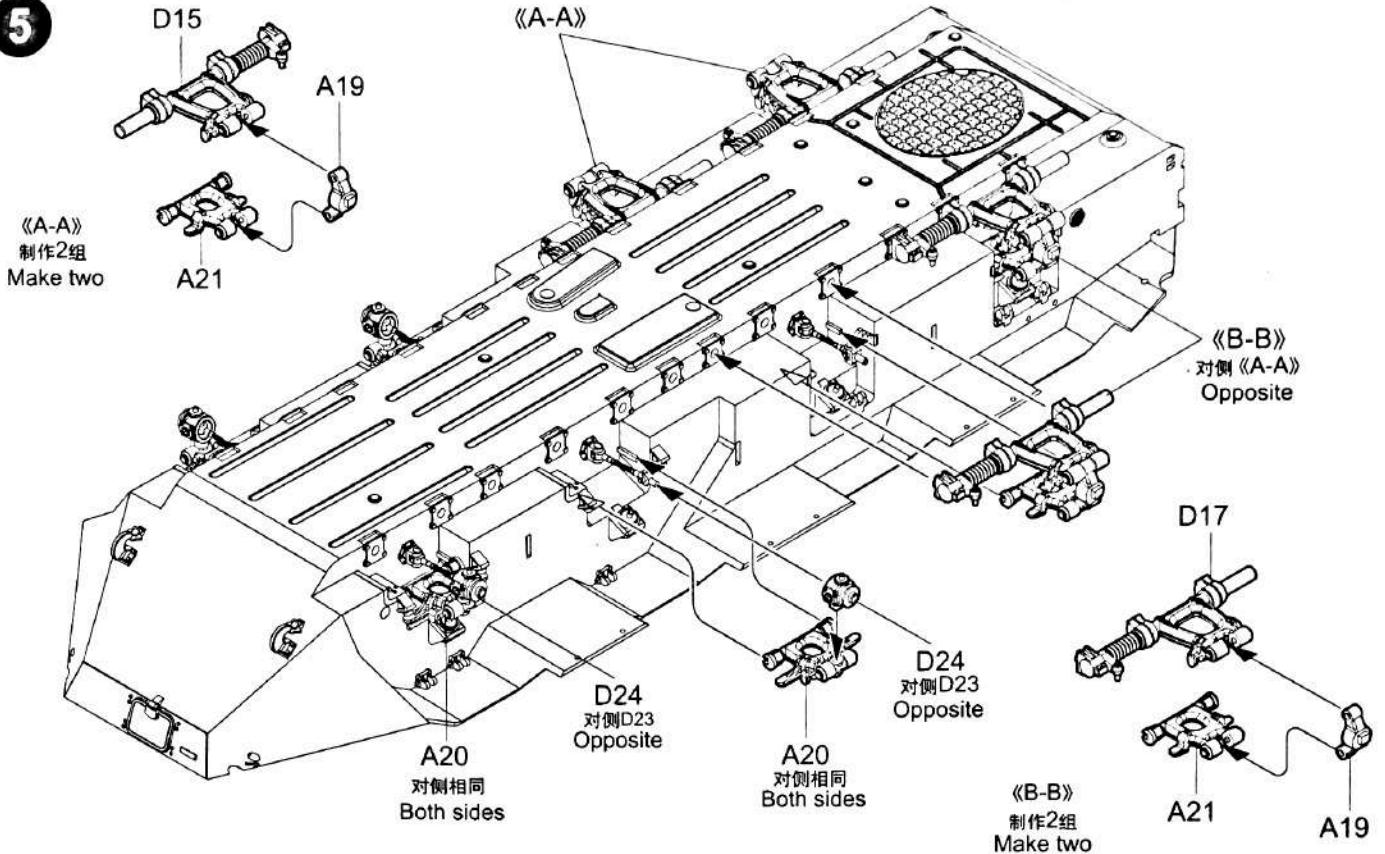
3



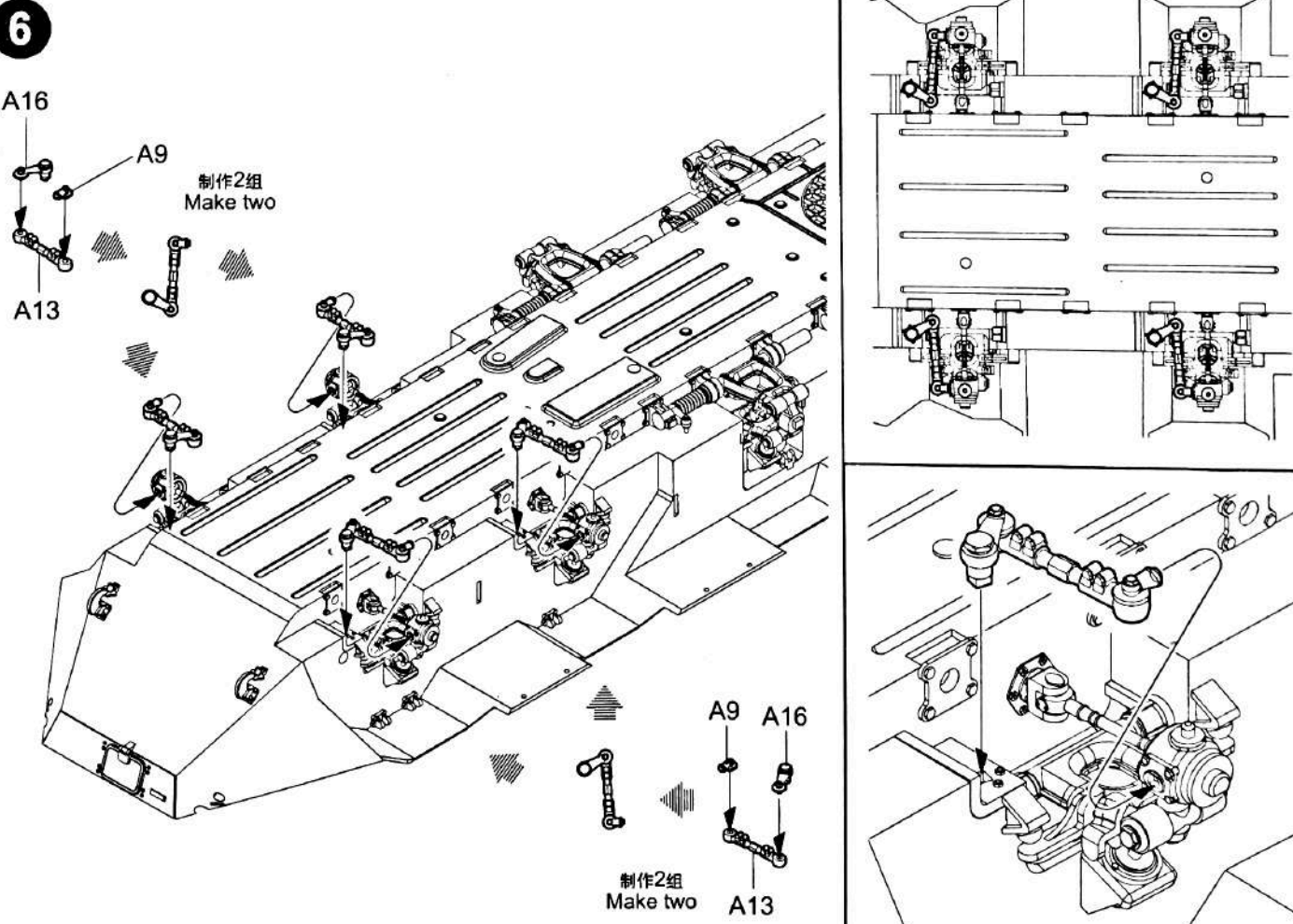
4



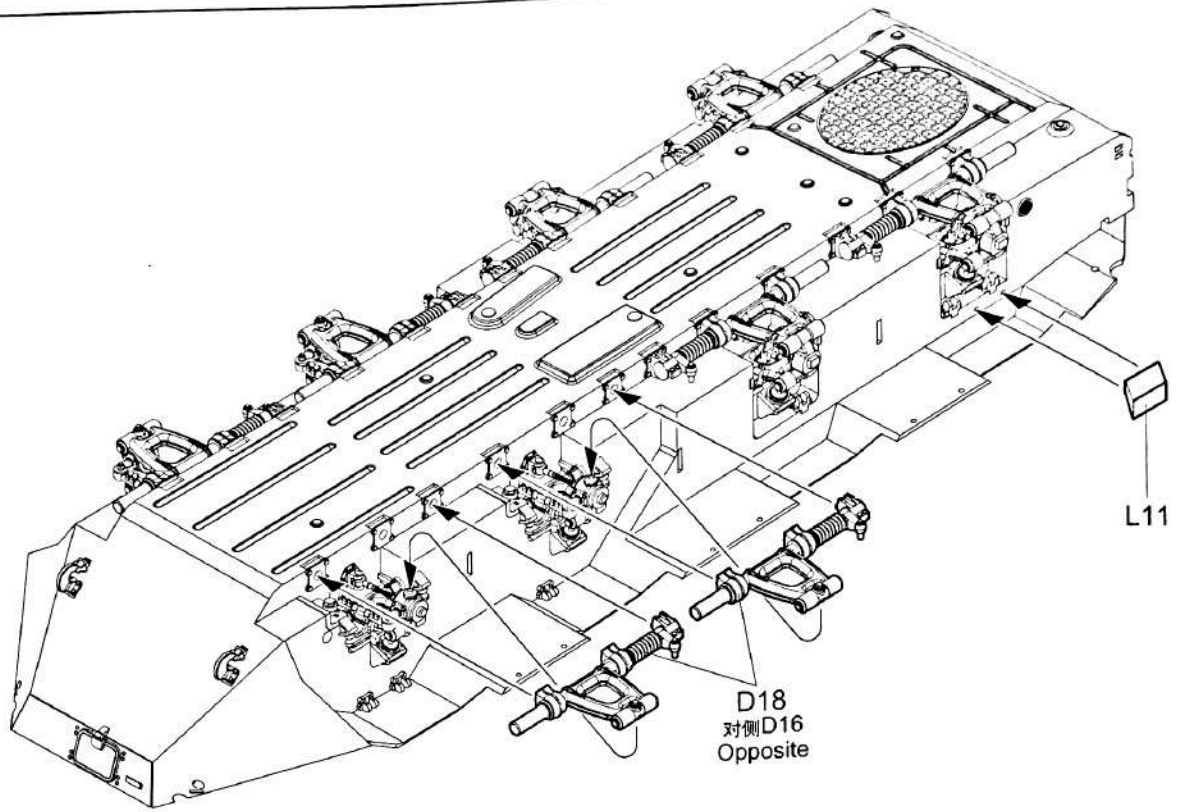
5



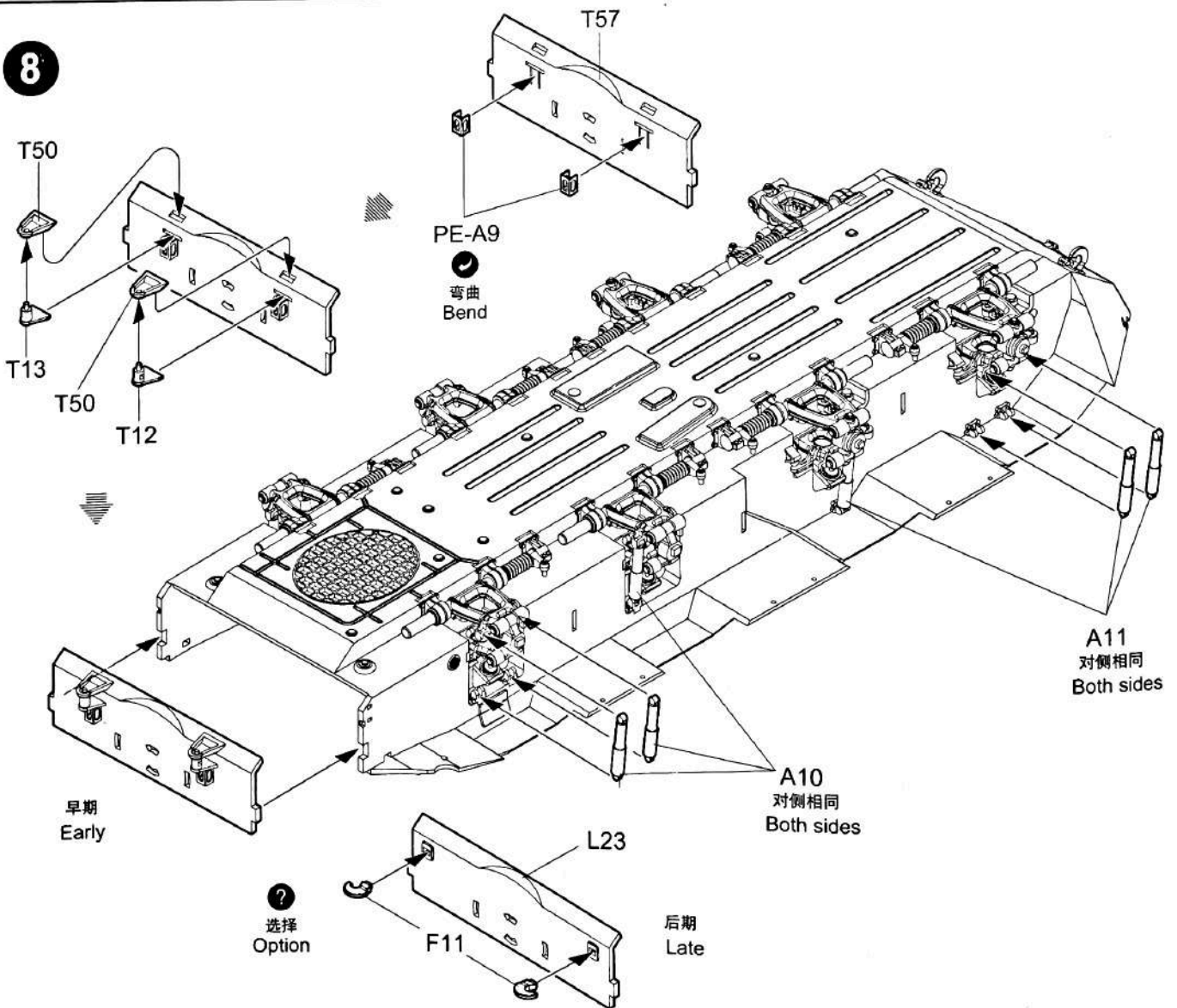
6



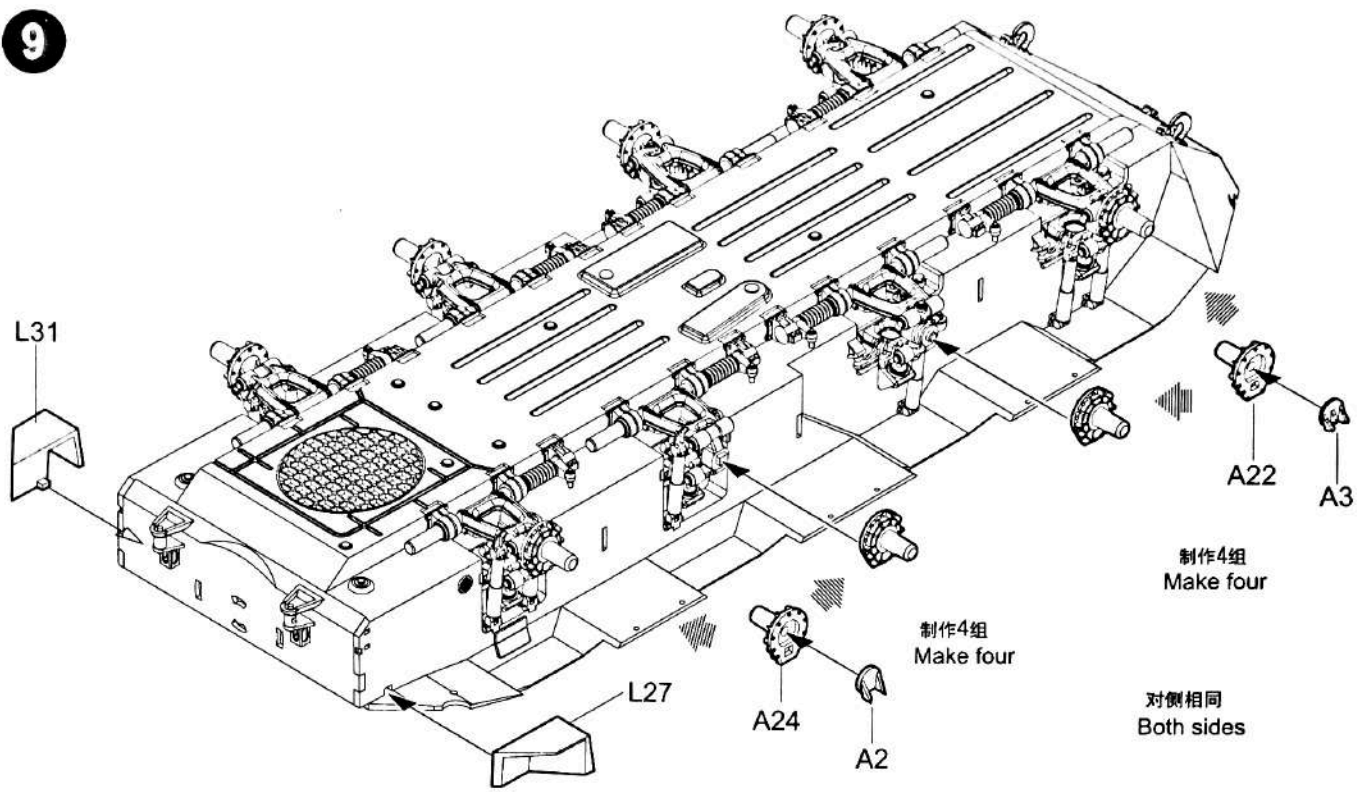
7



8

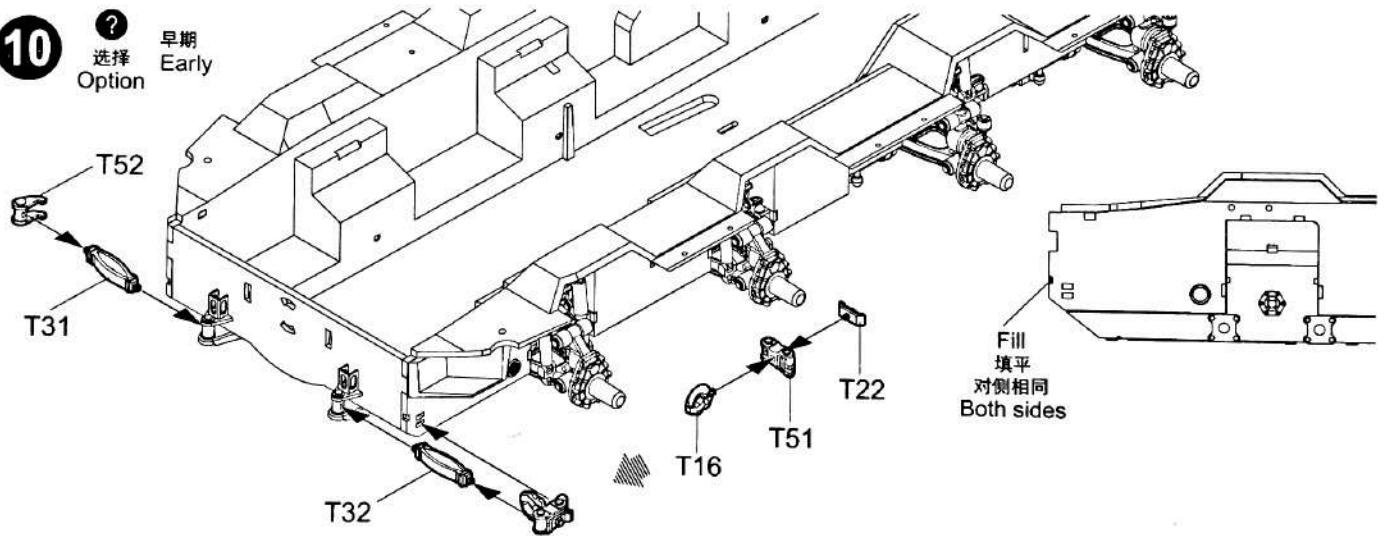


9

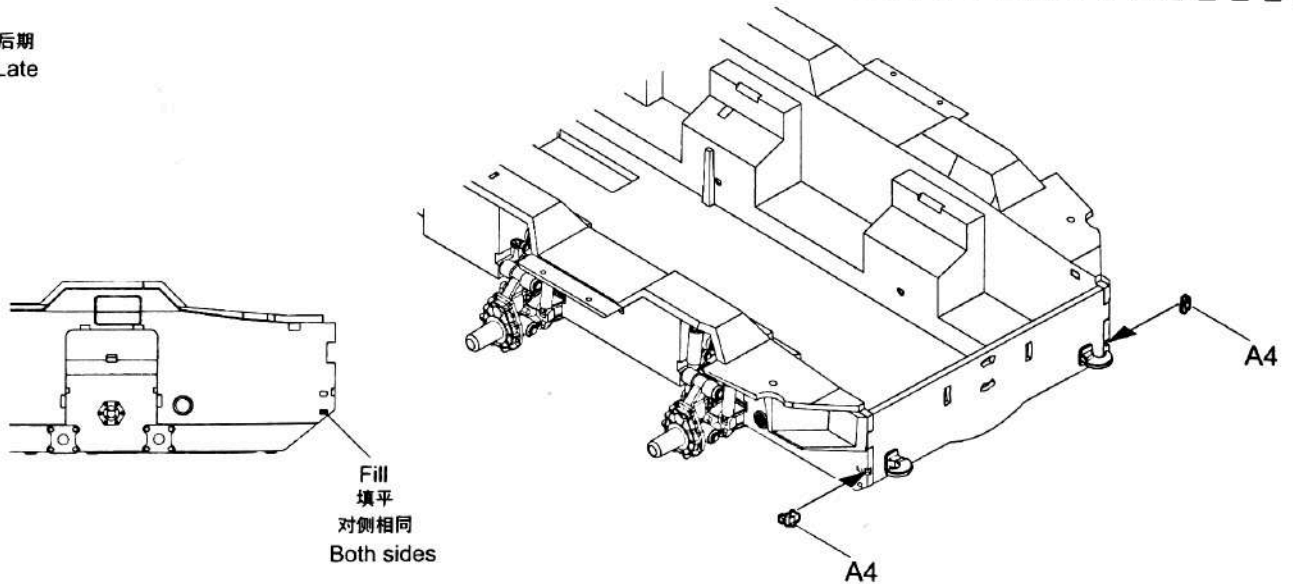


10

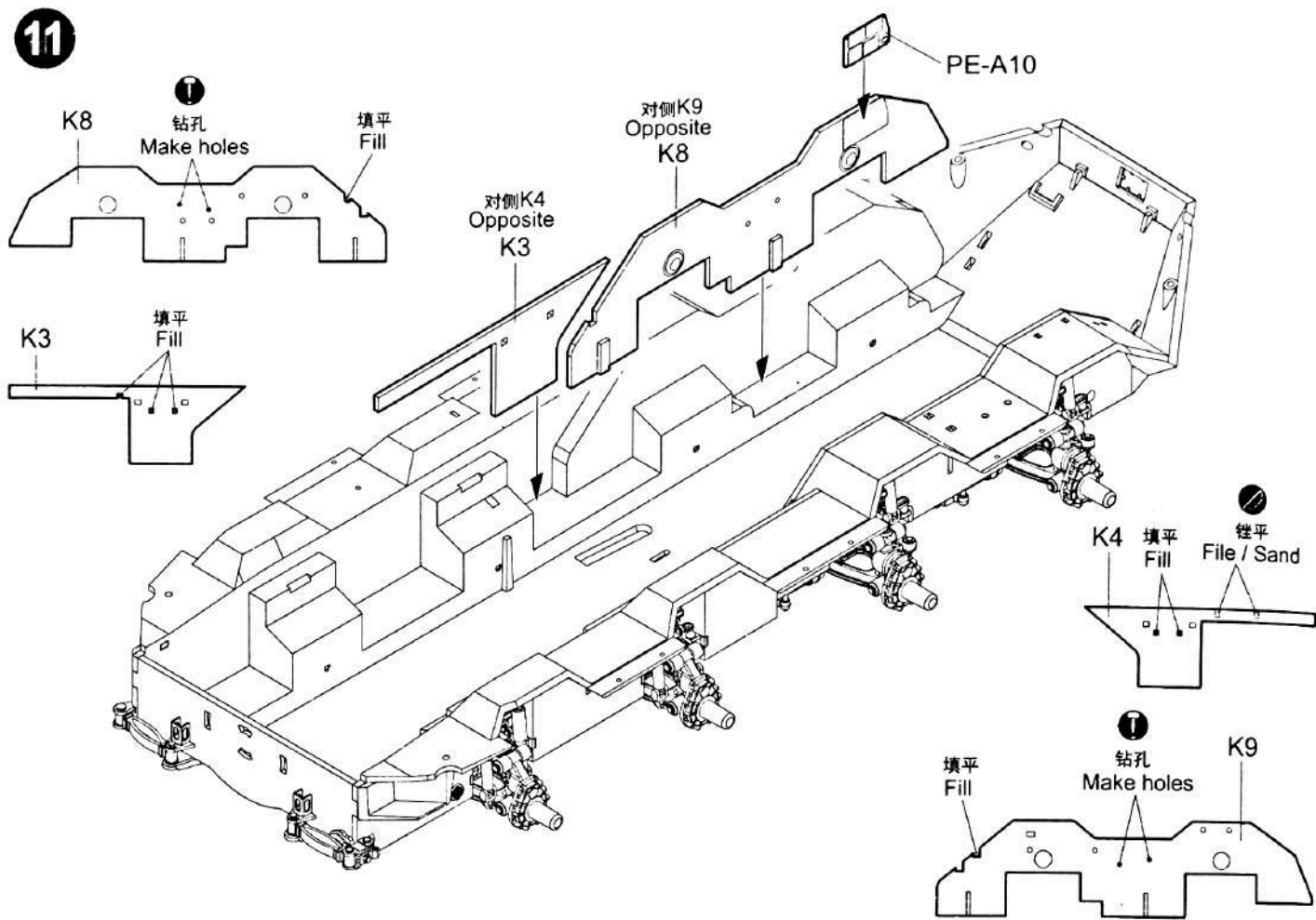
选择 早期
Option Early



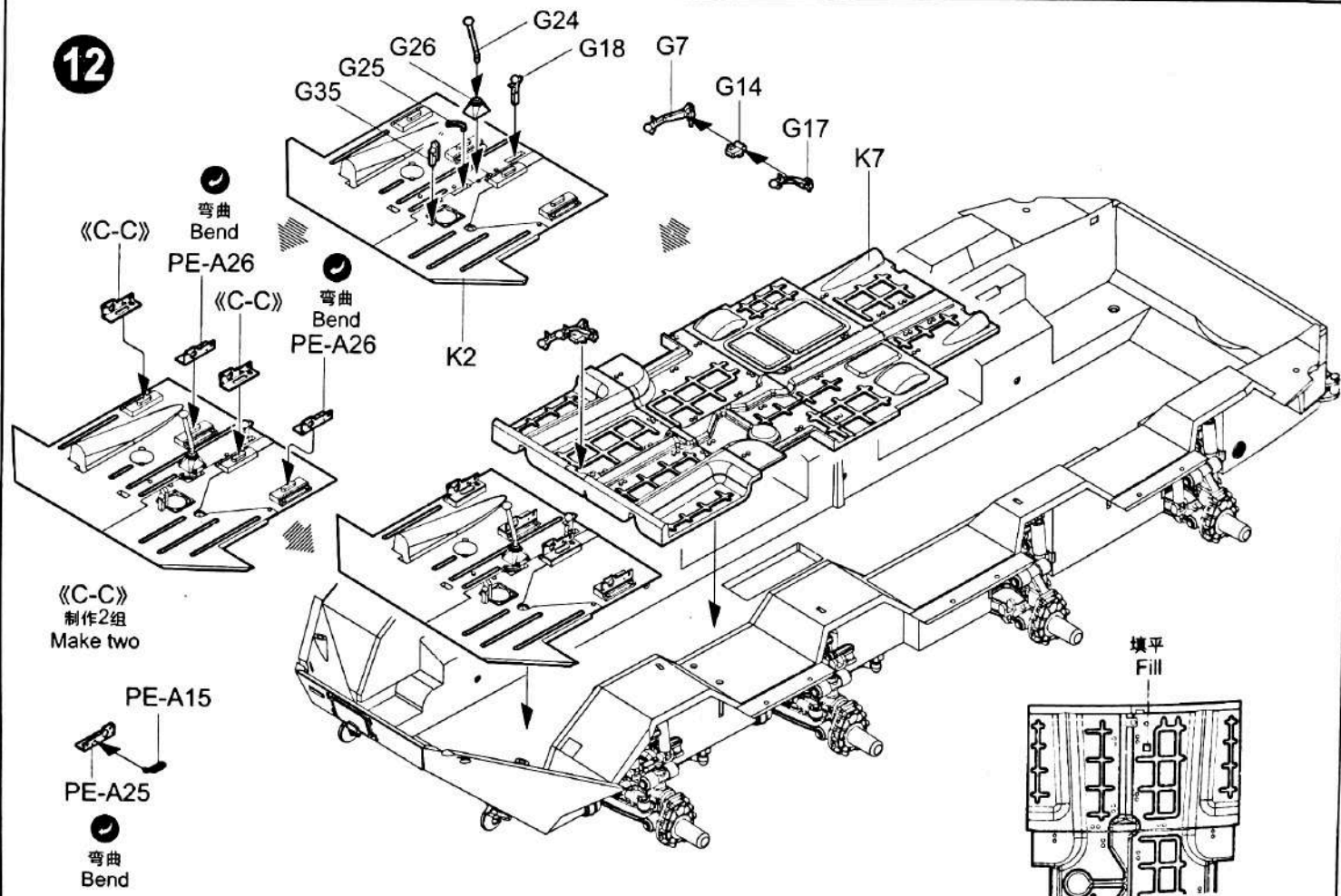
选择 后期
Option Late



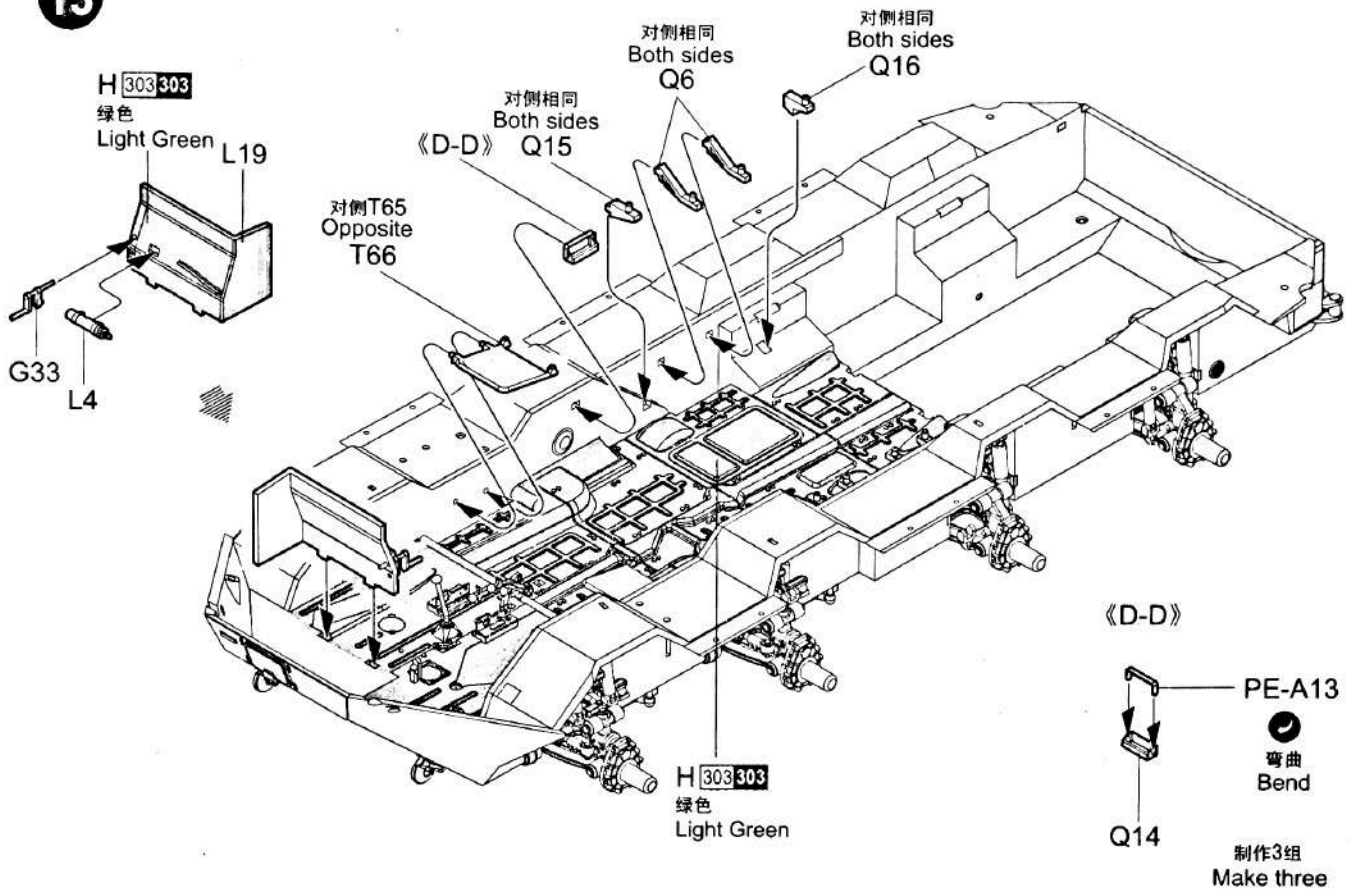
11



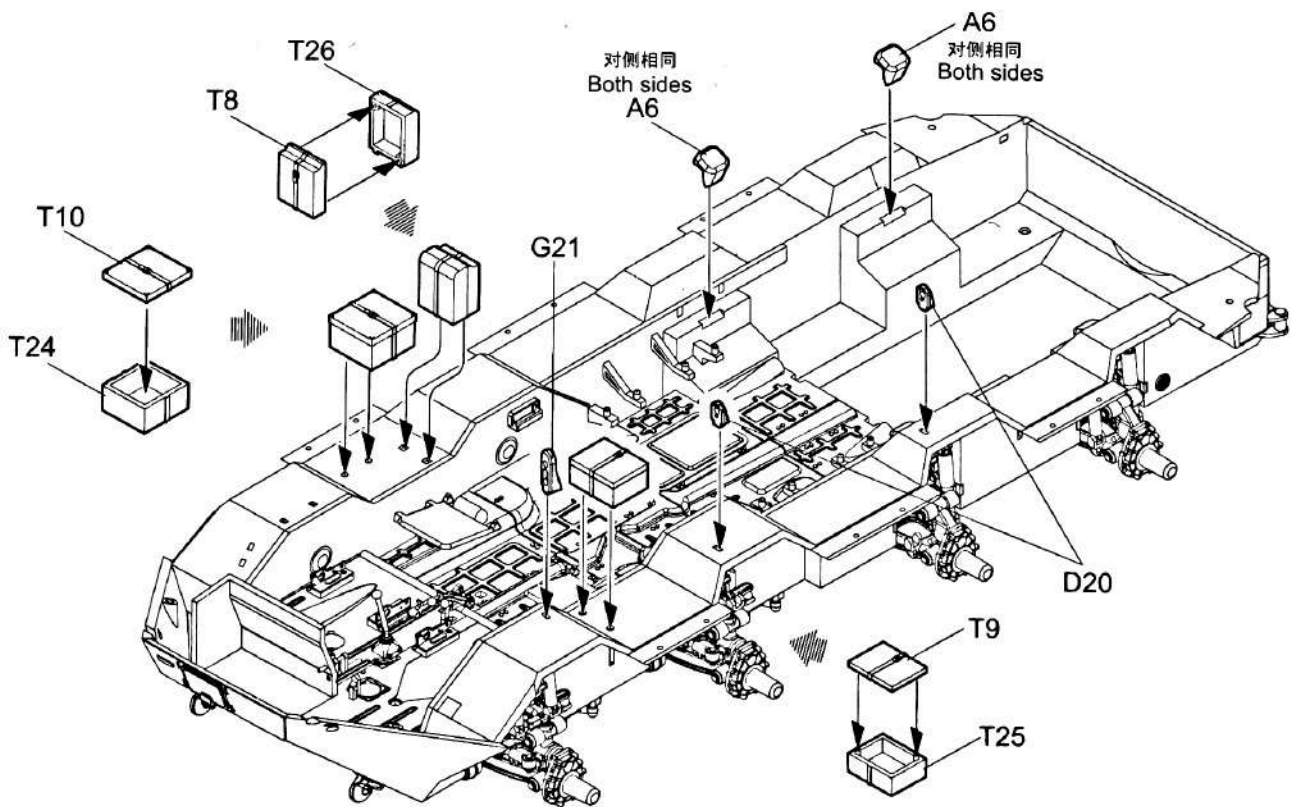
12

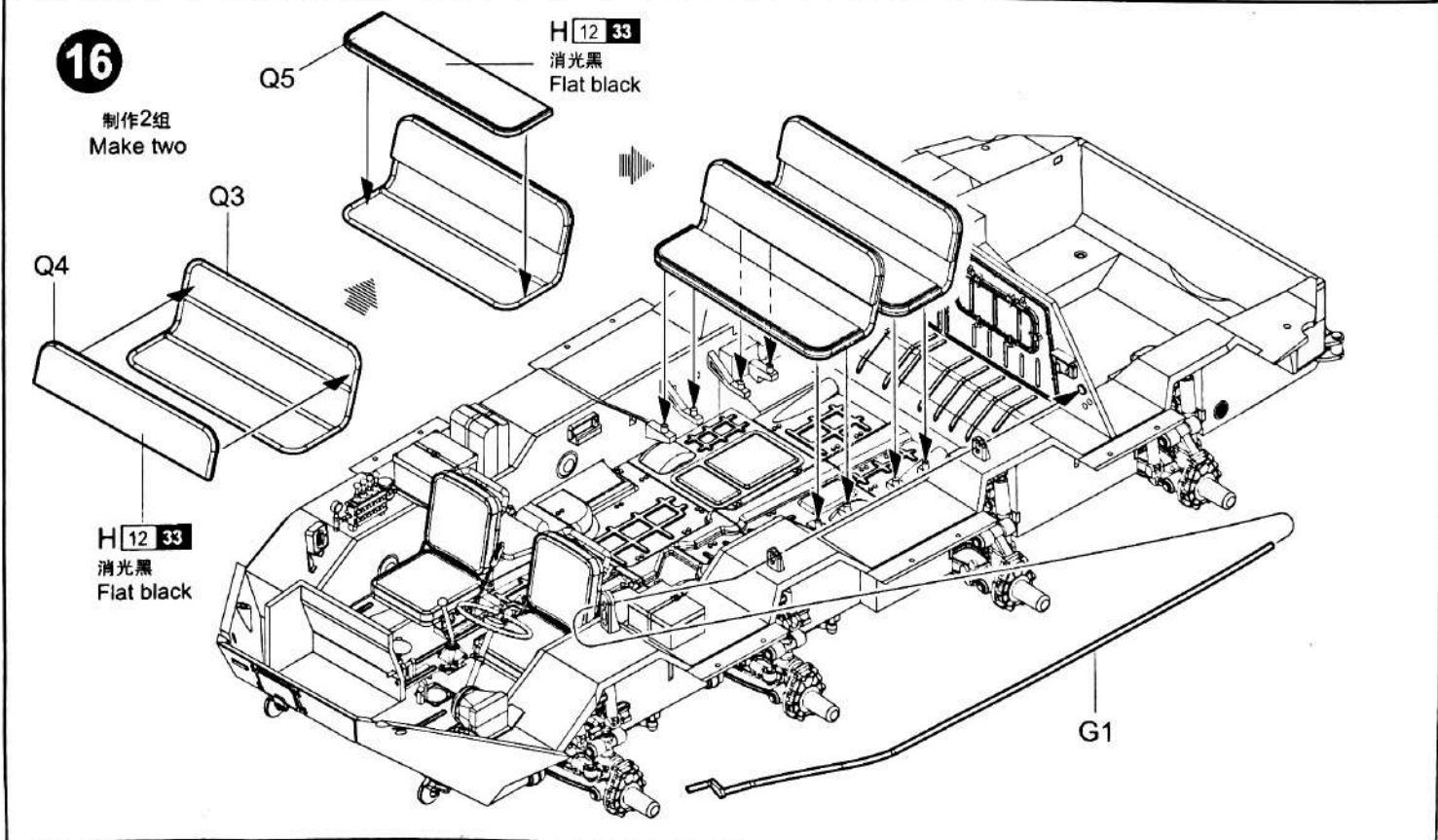
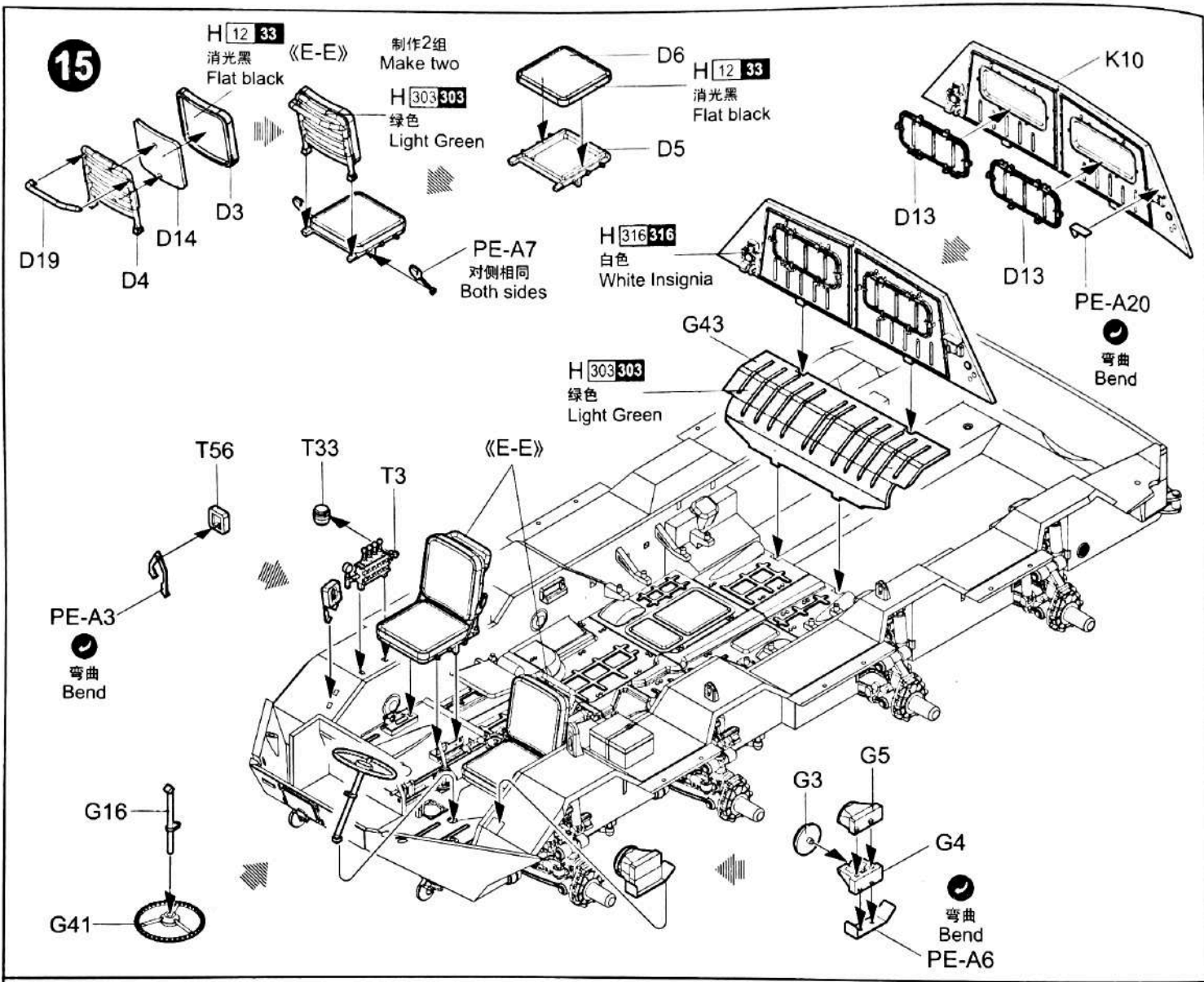


13

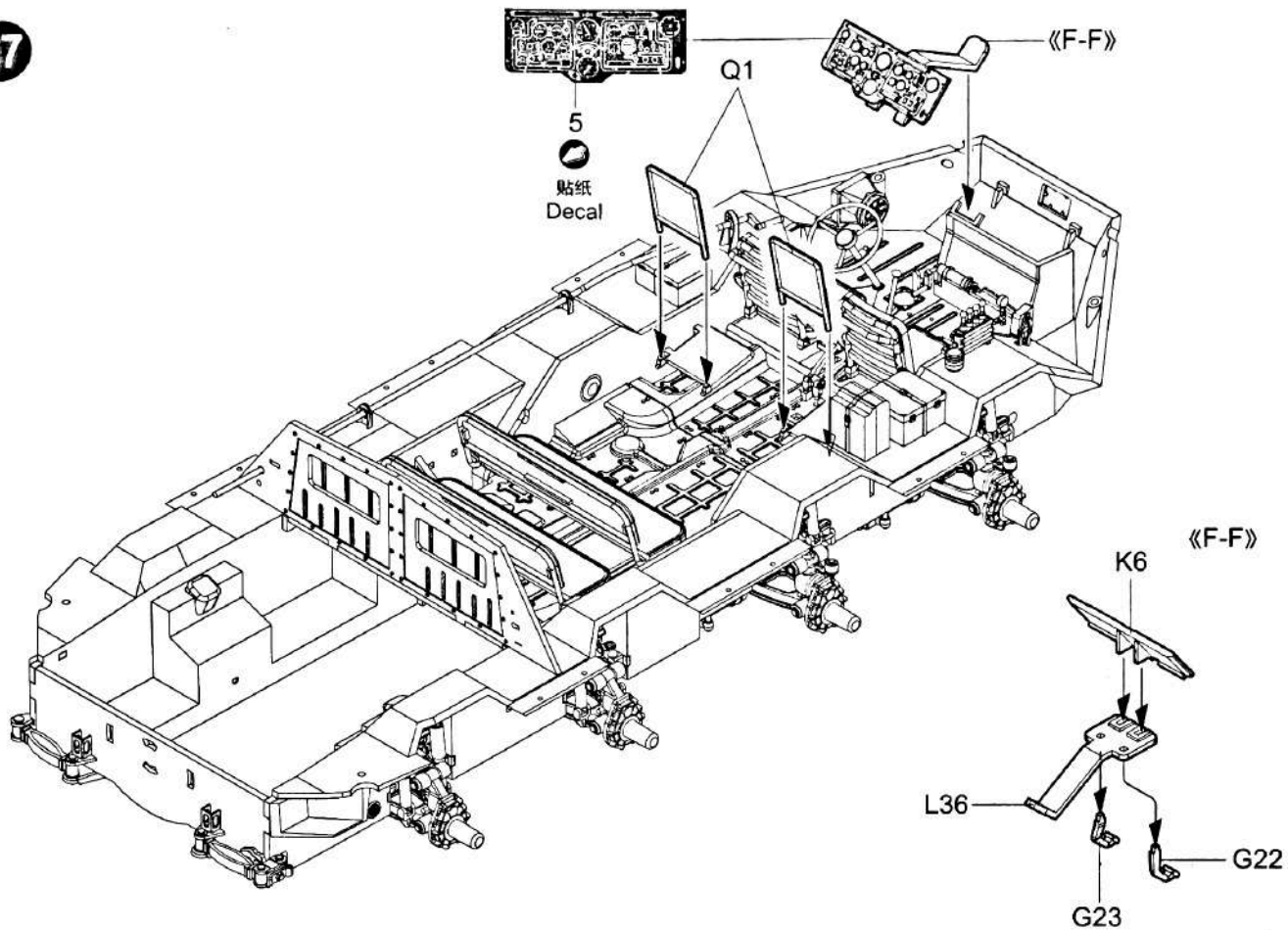


14

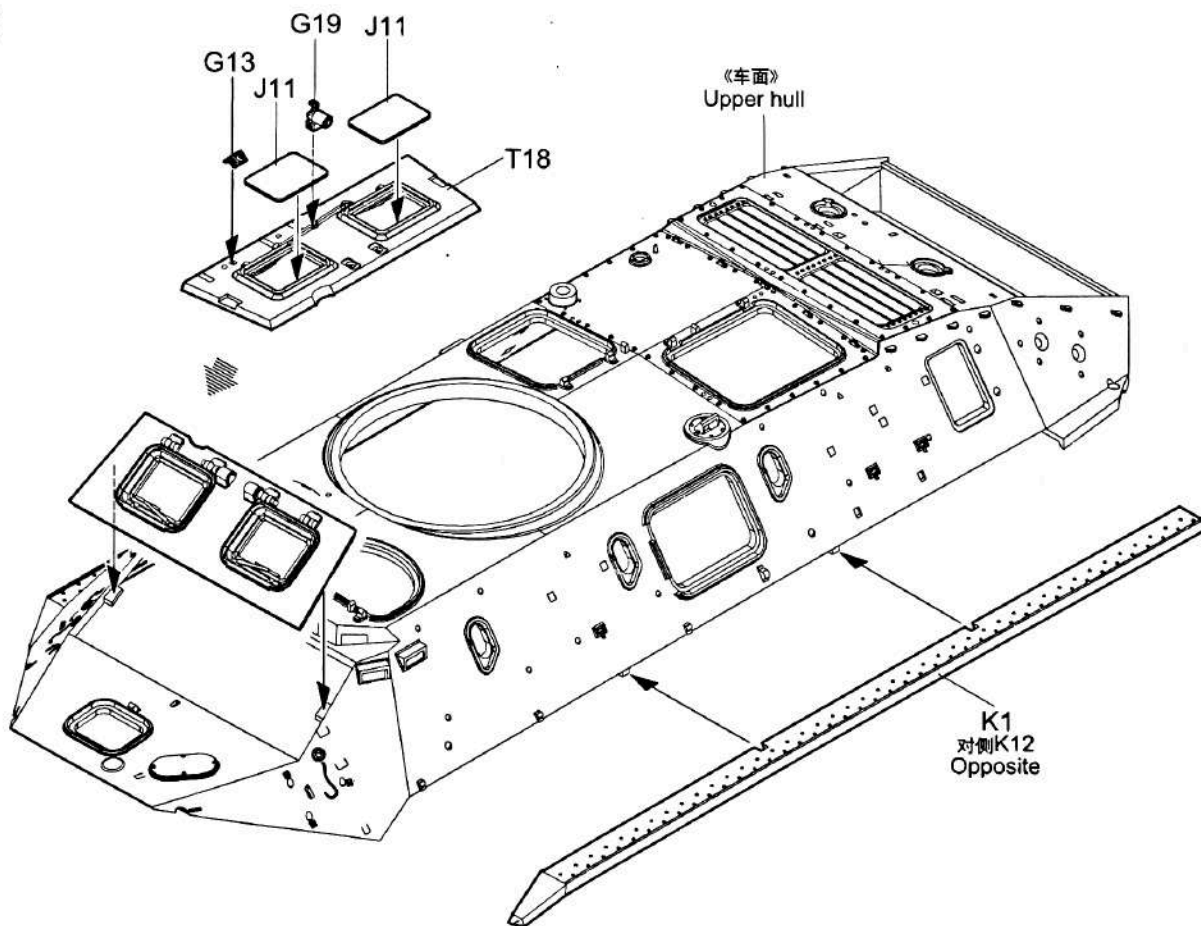




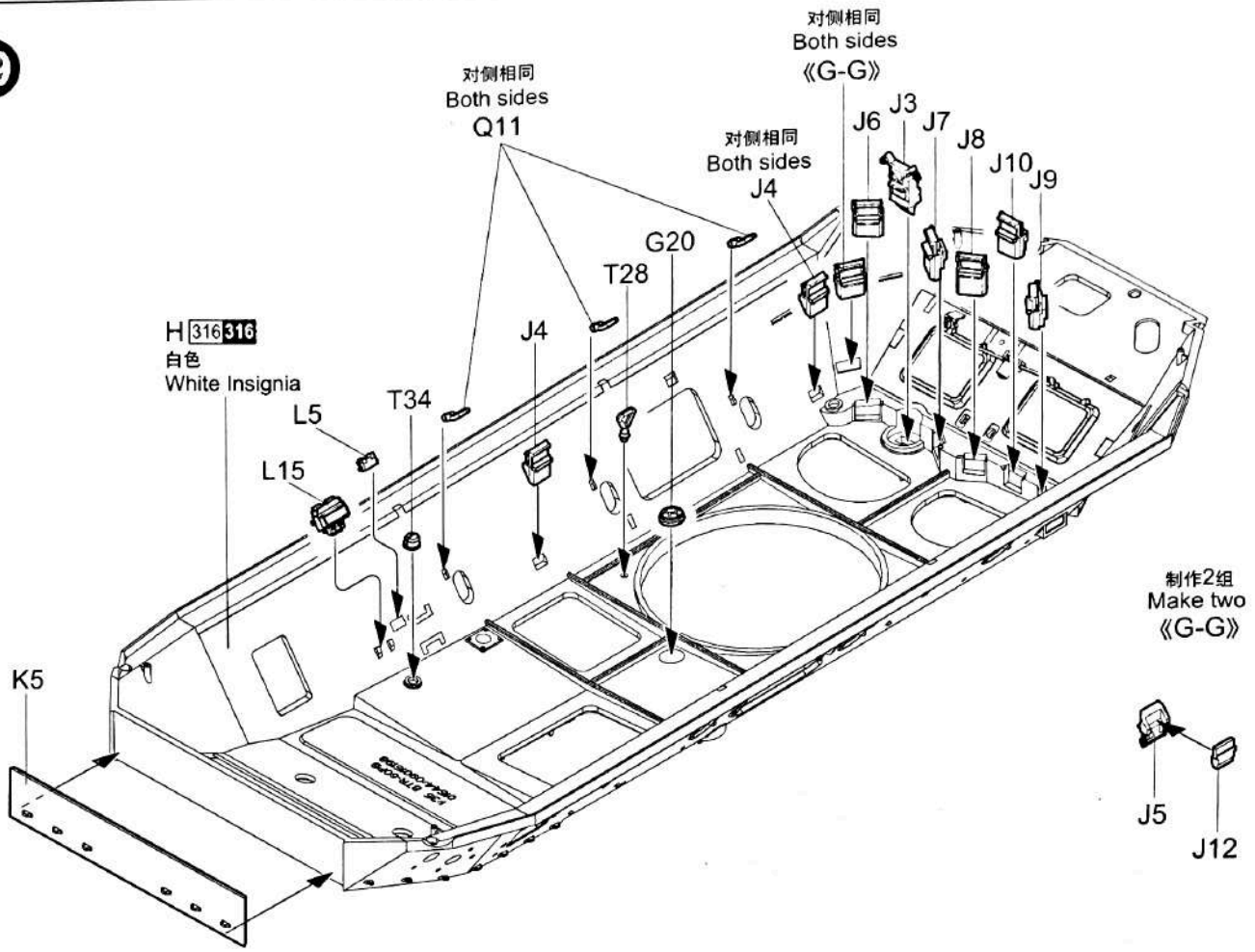
17



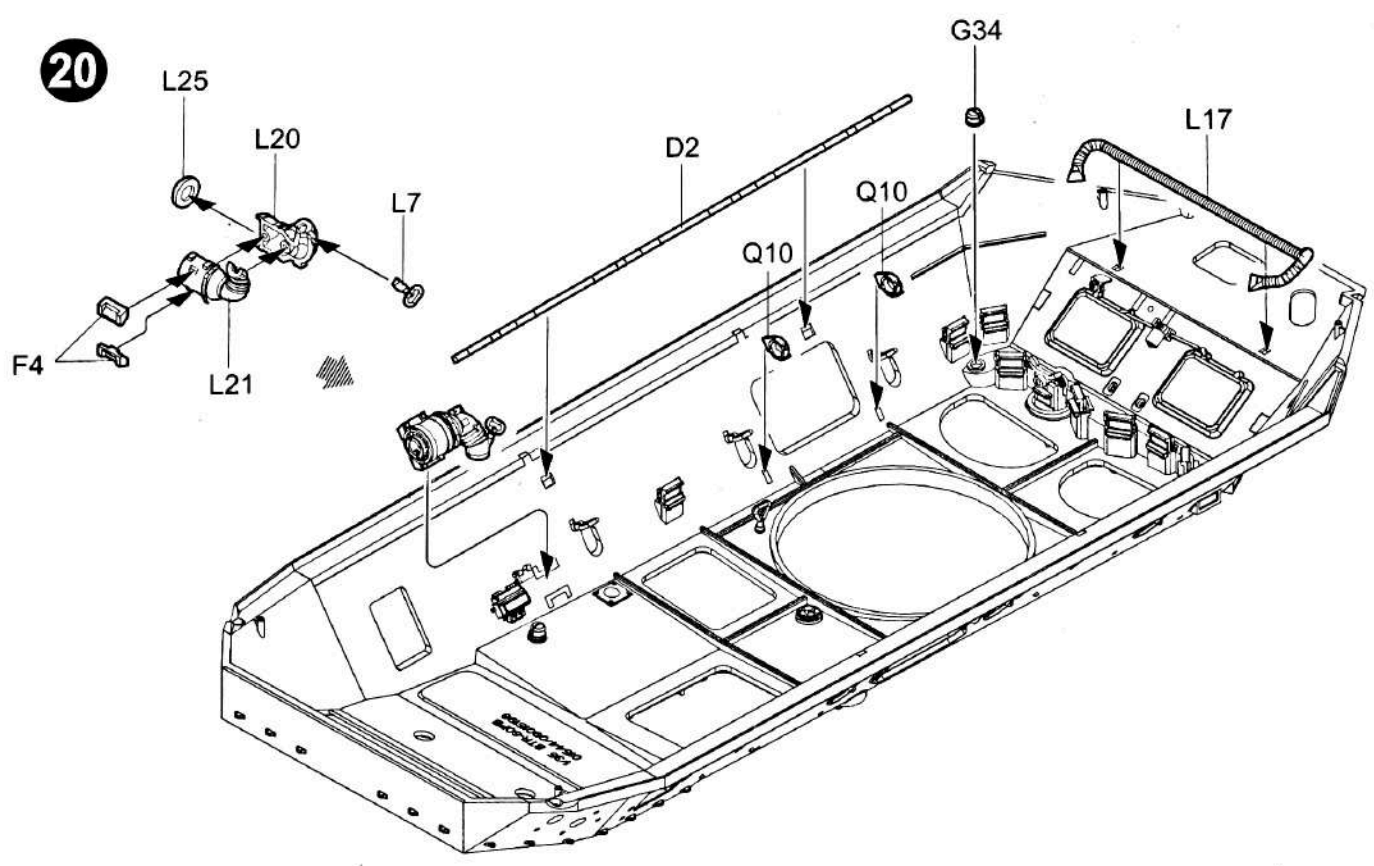
18



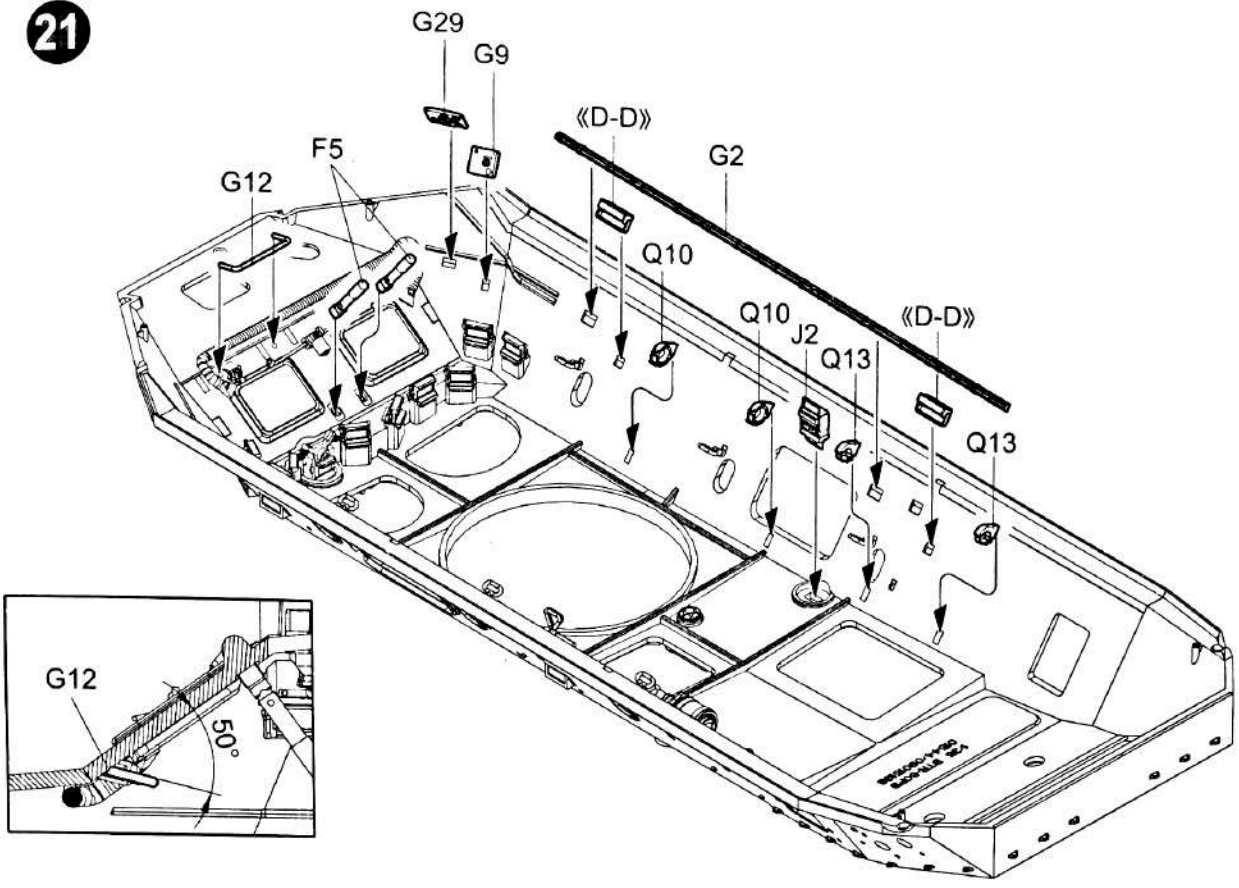
19



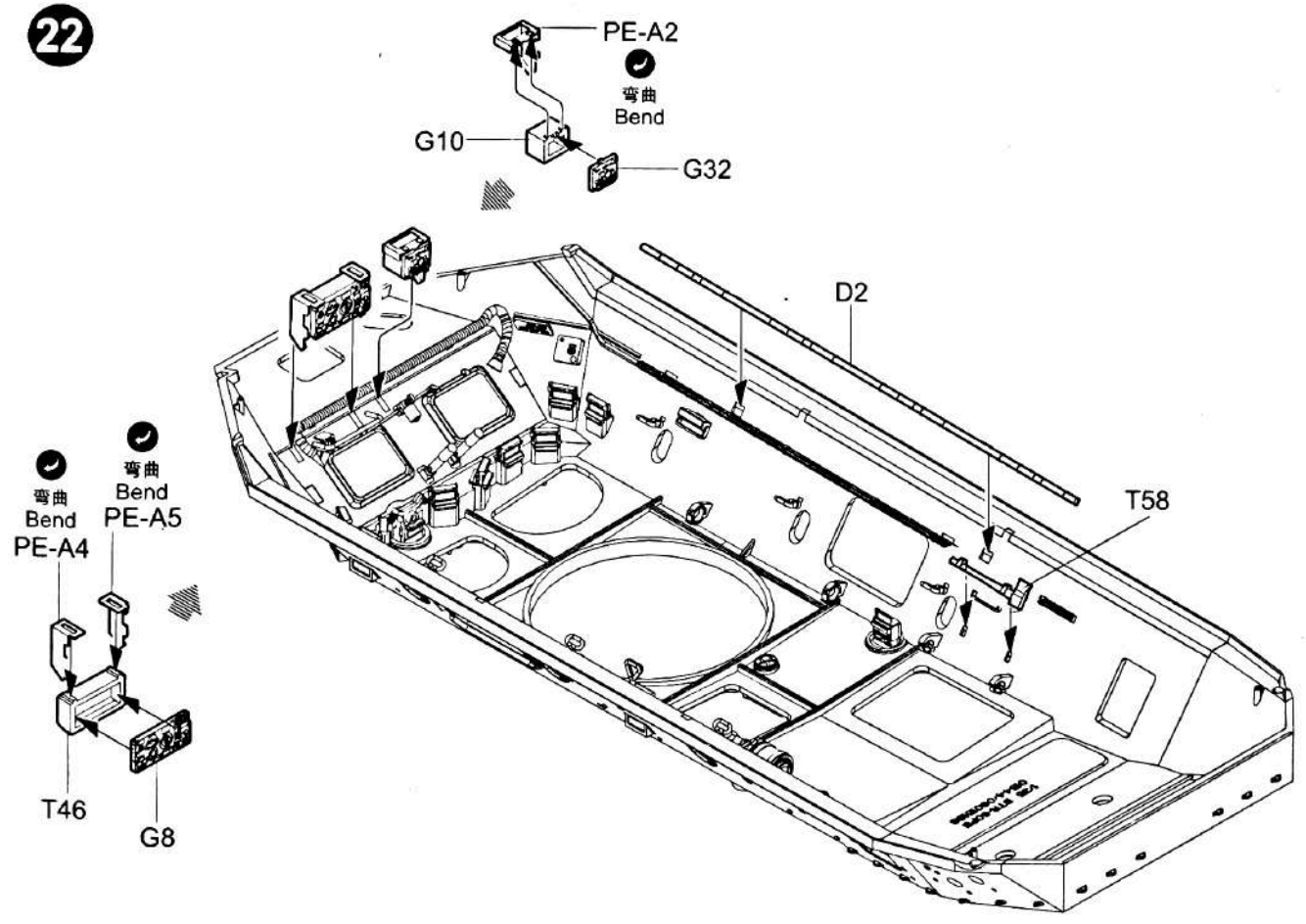
20



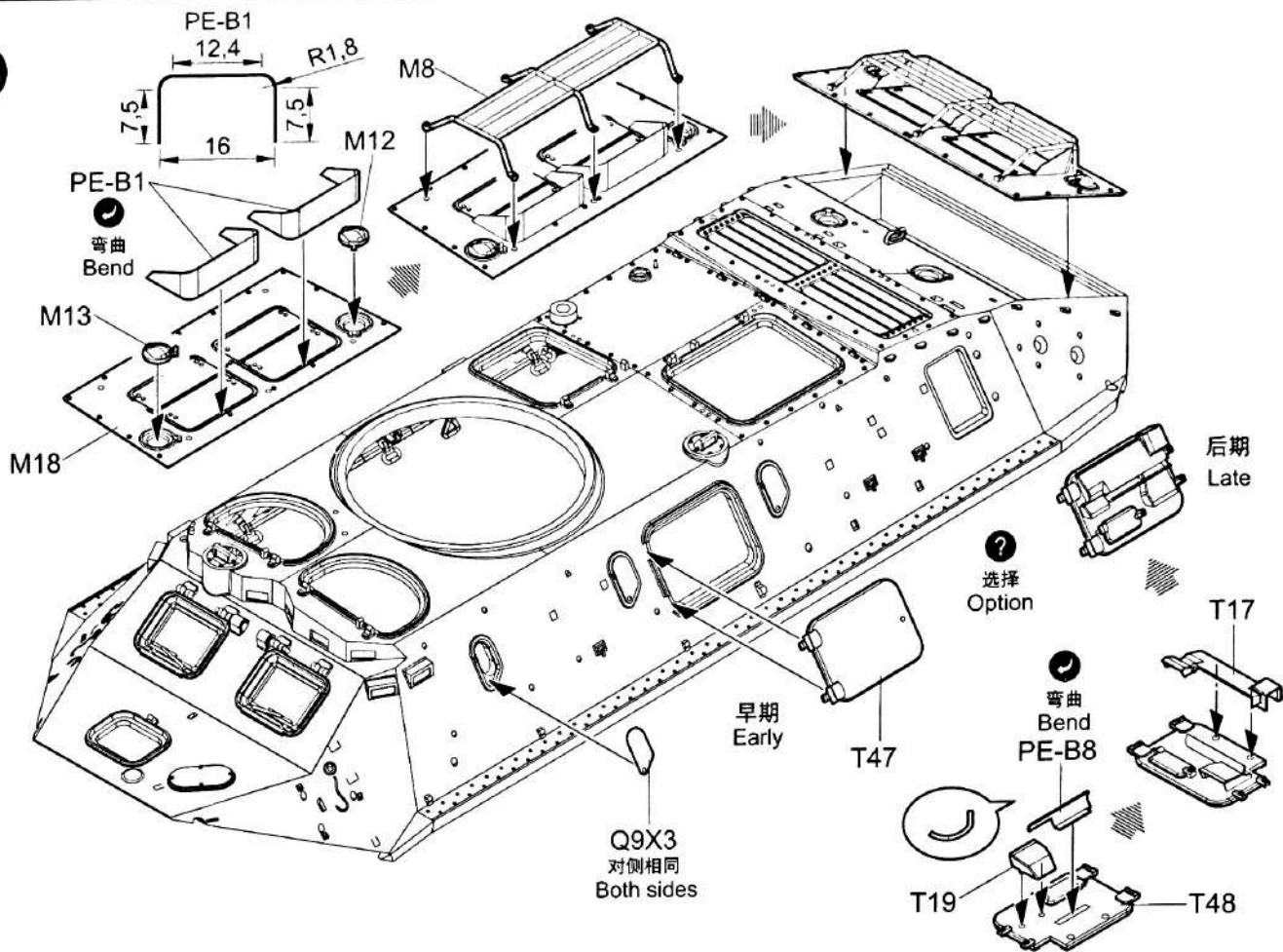
21



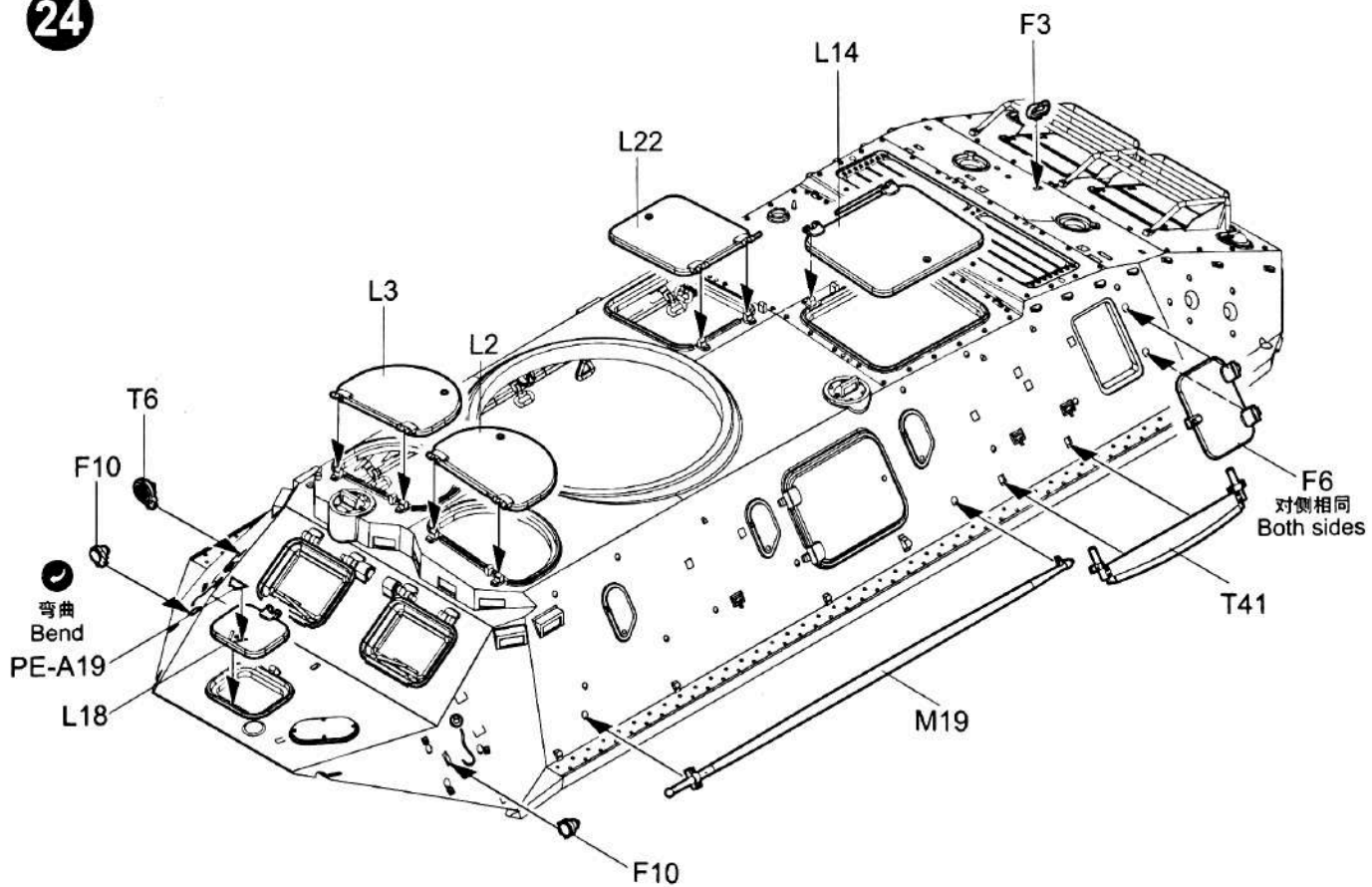
22



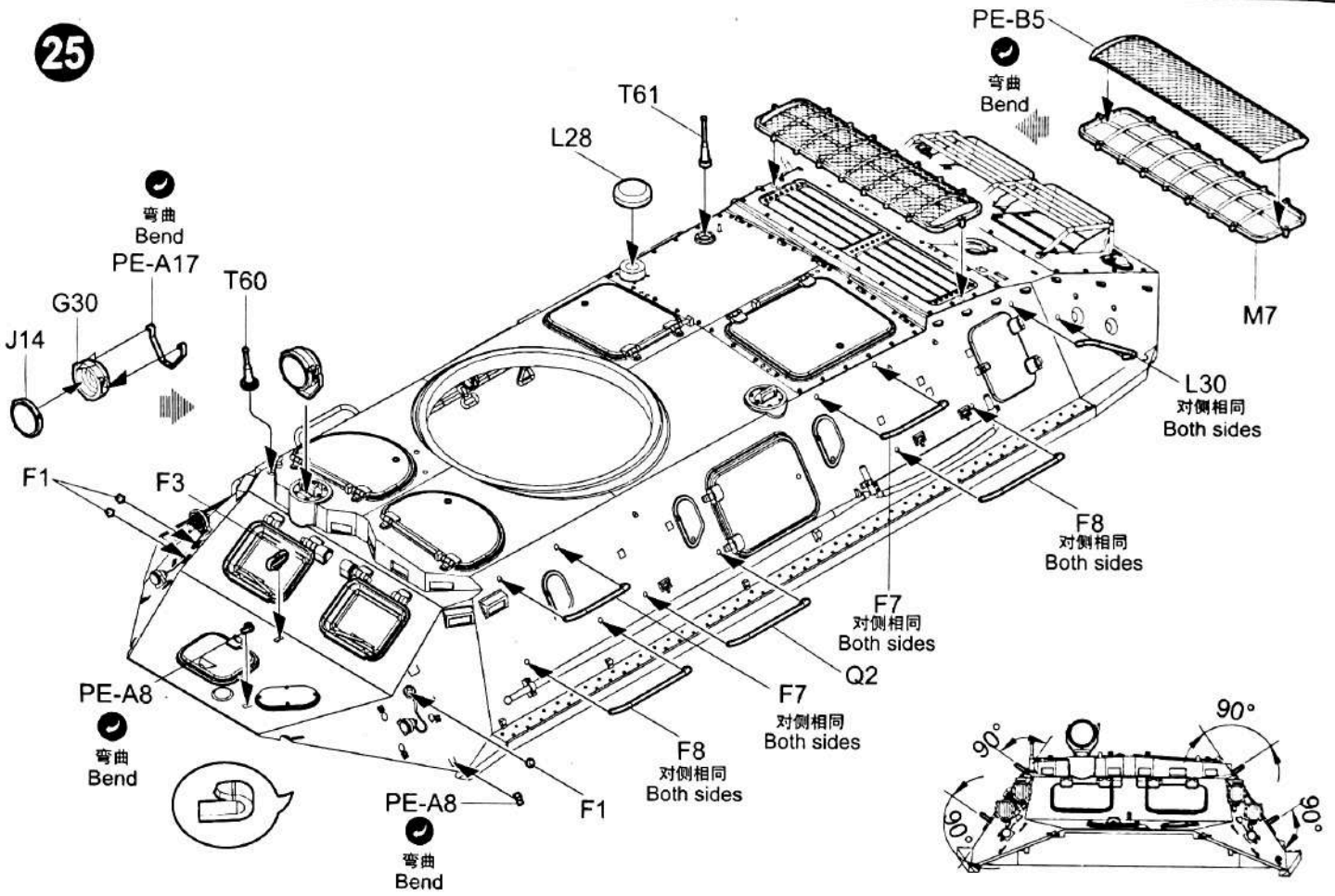
23



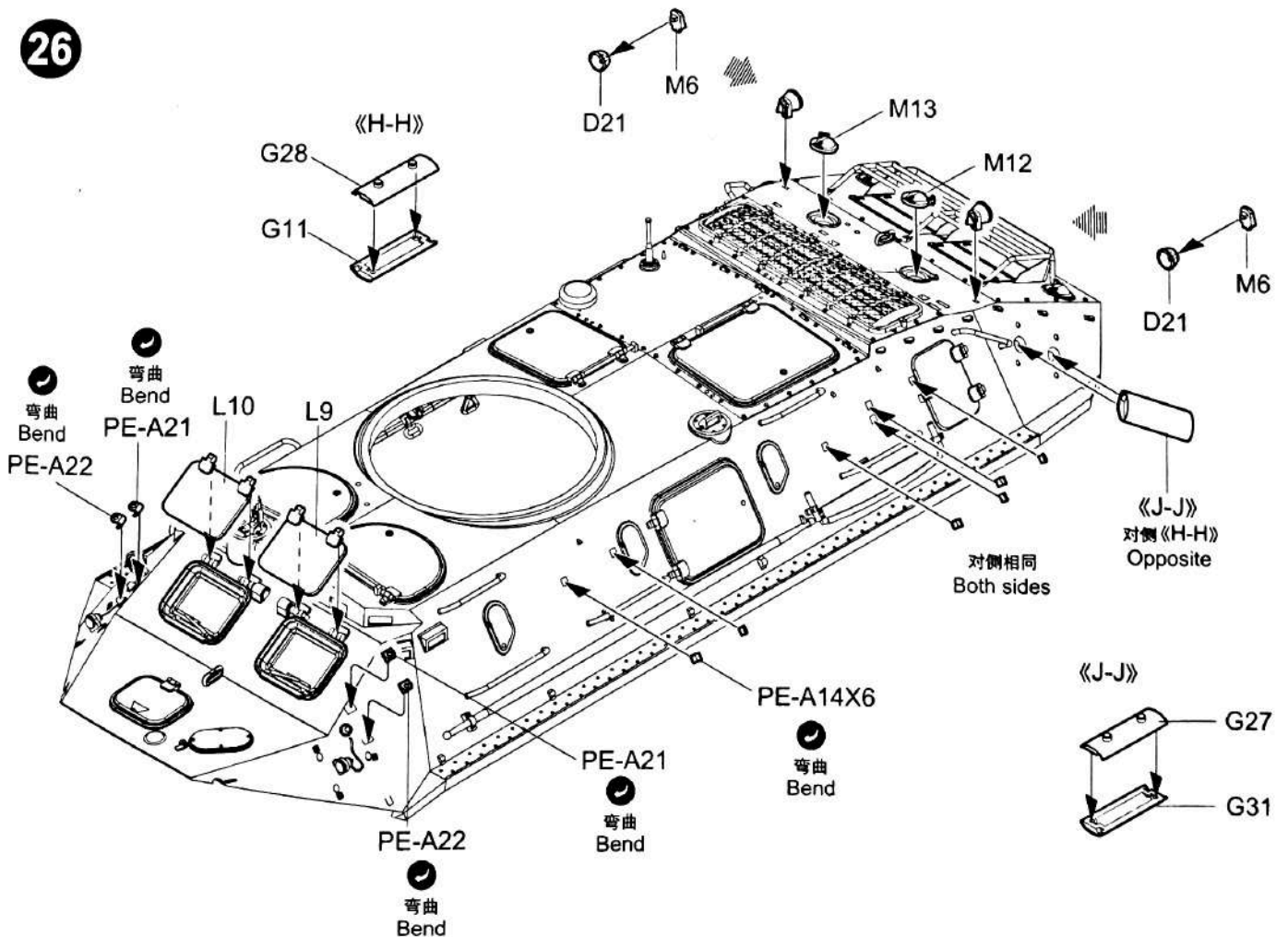
24



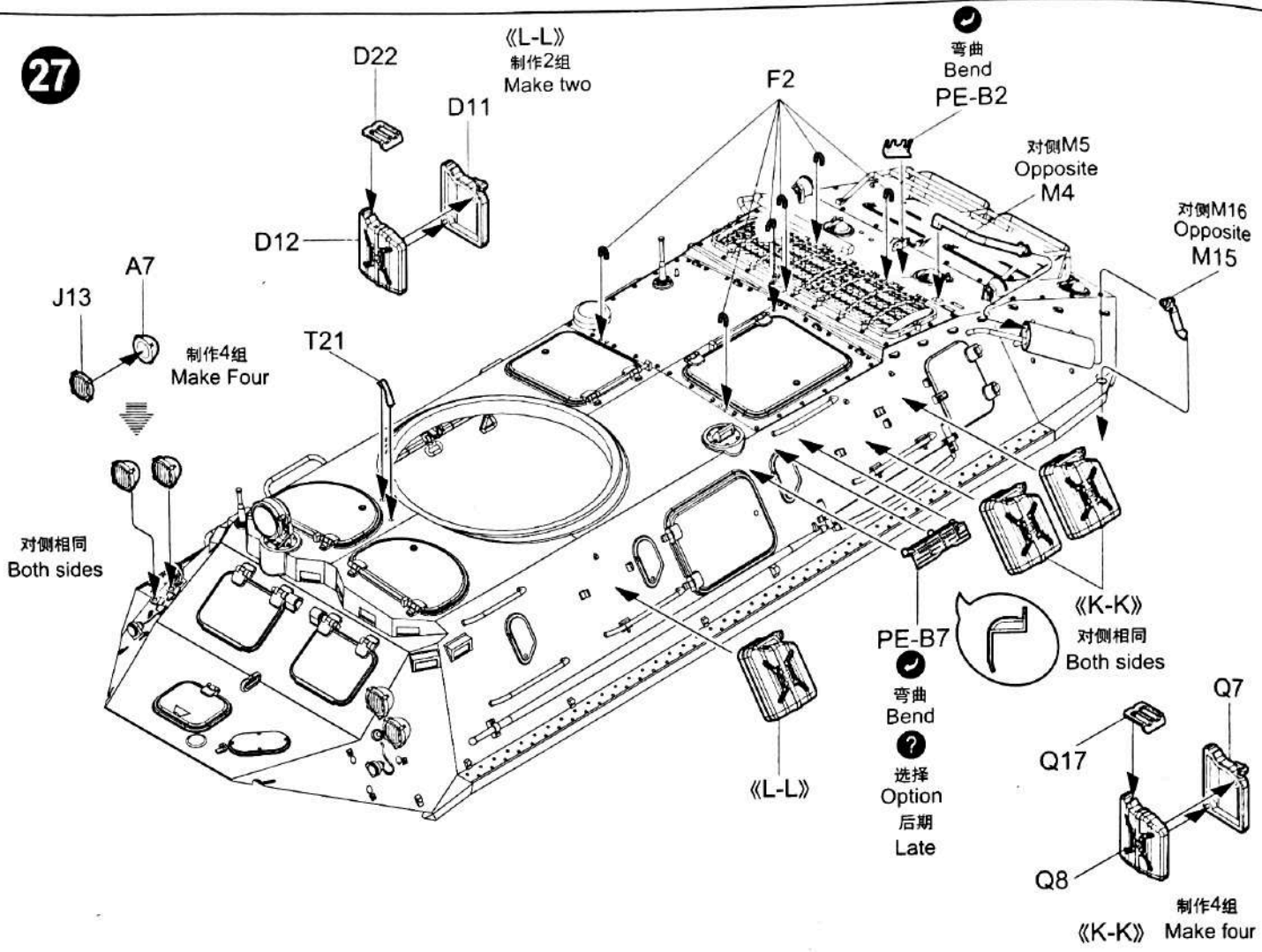
25



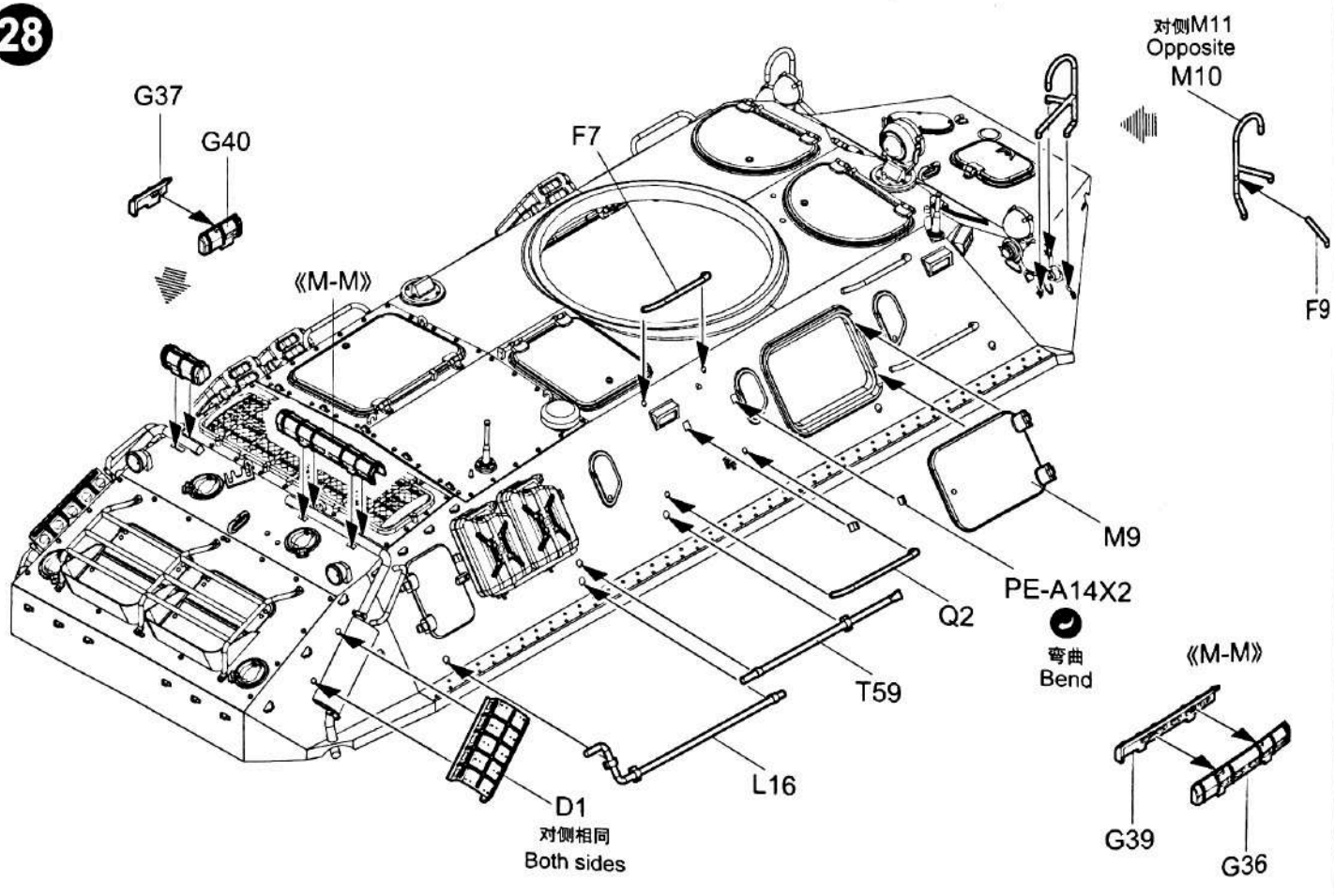
26



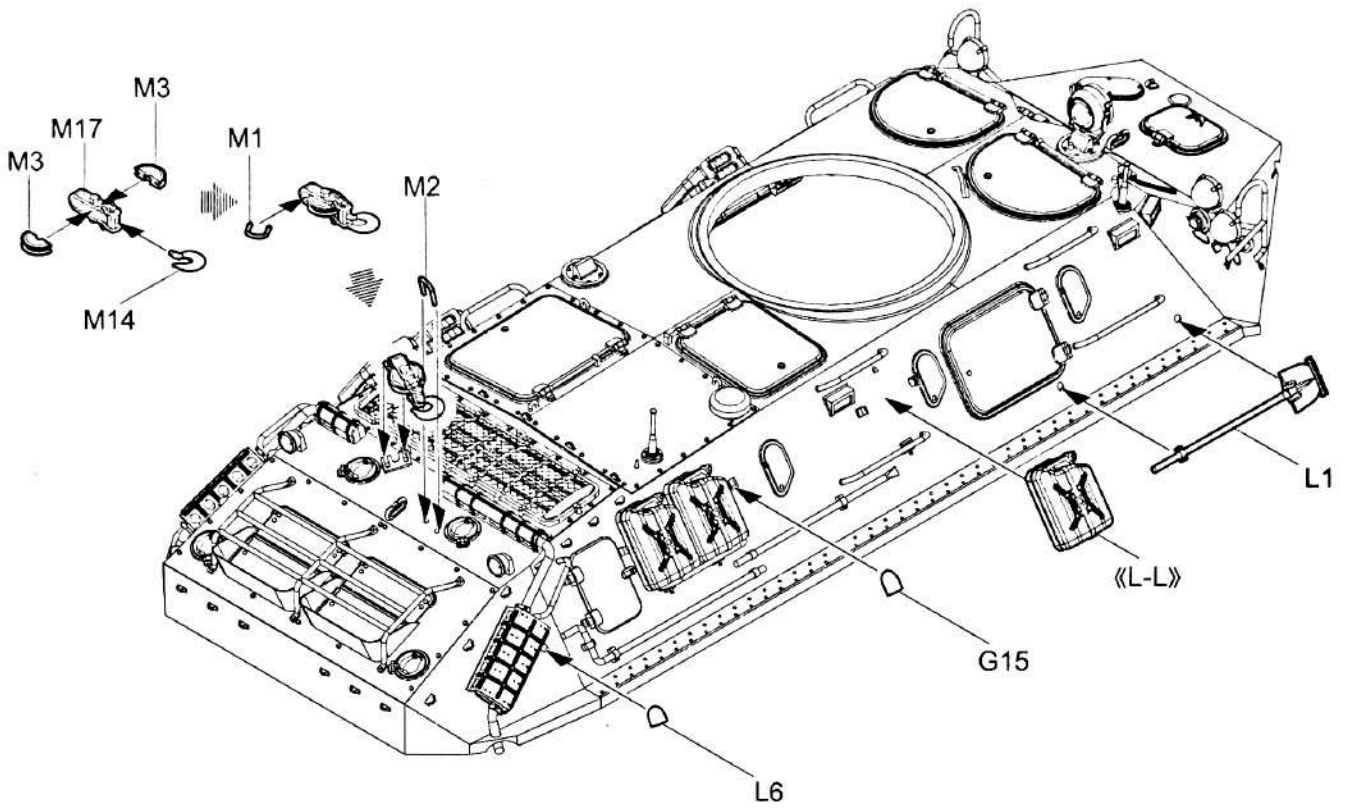
27



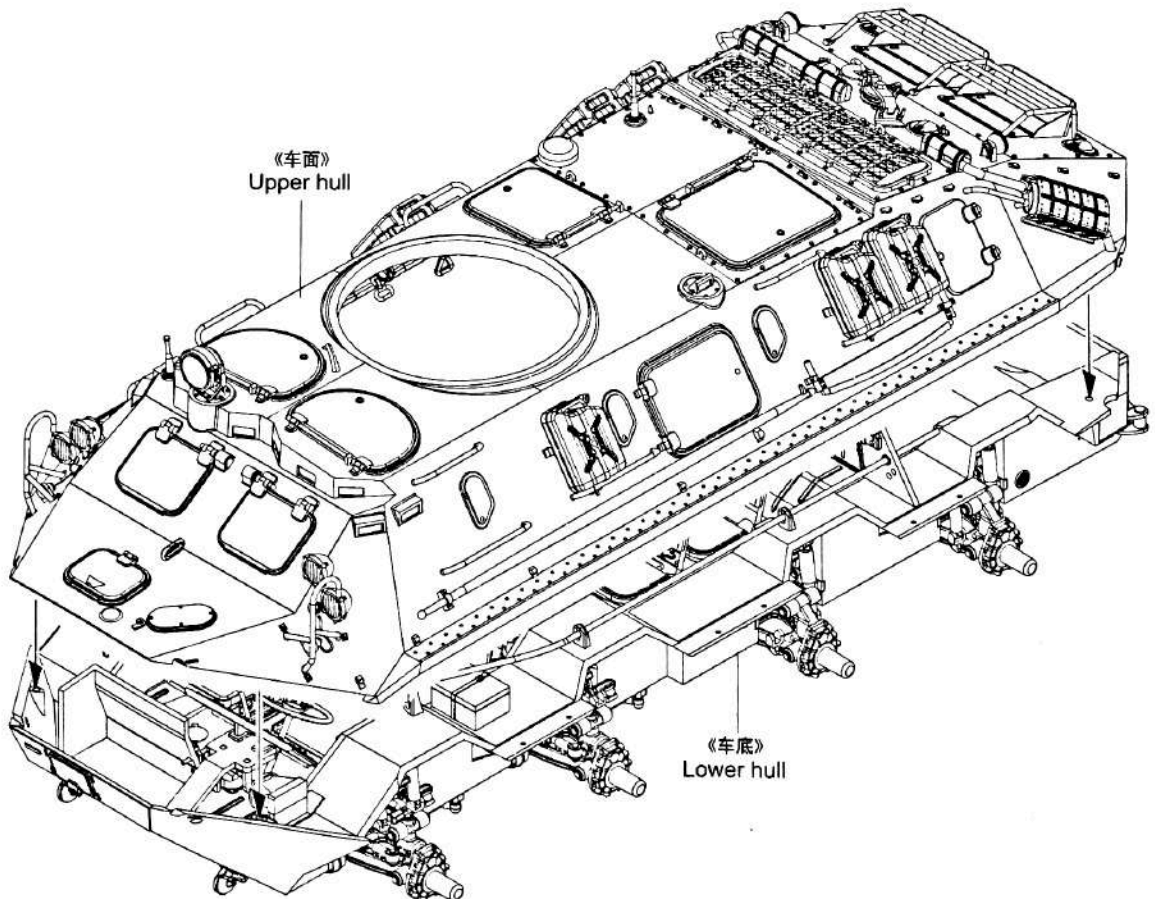
28

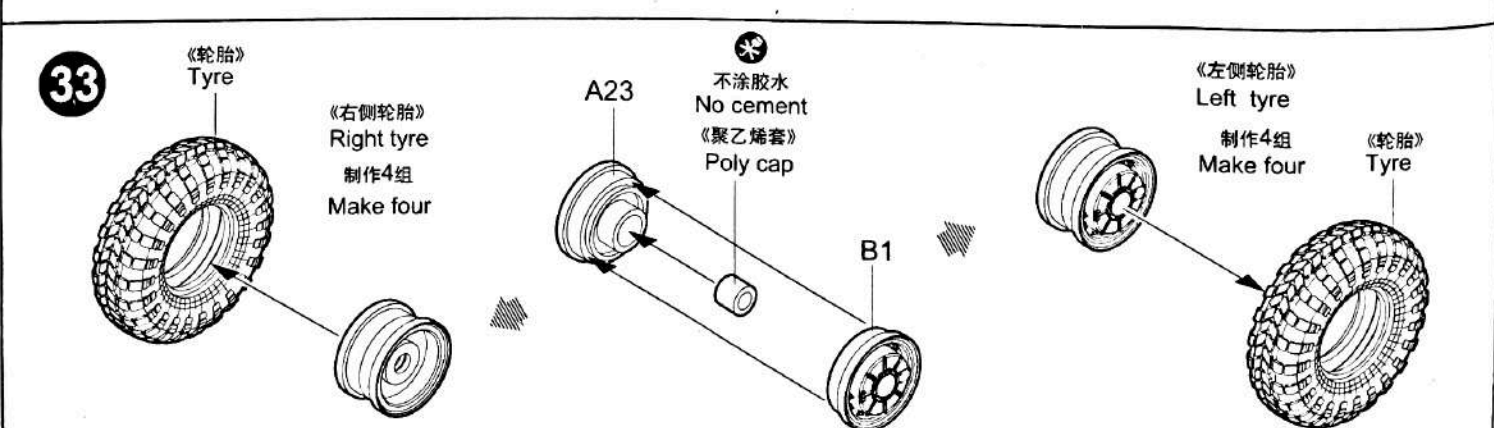
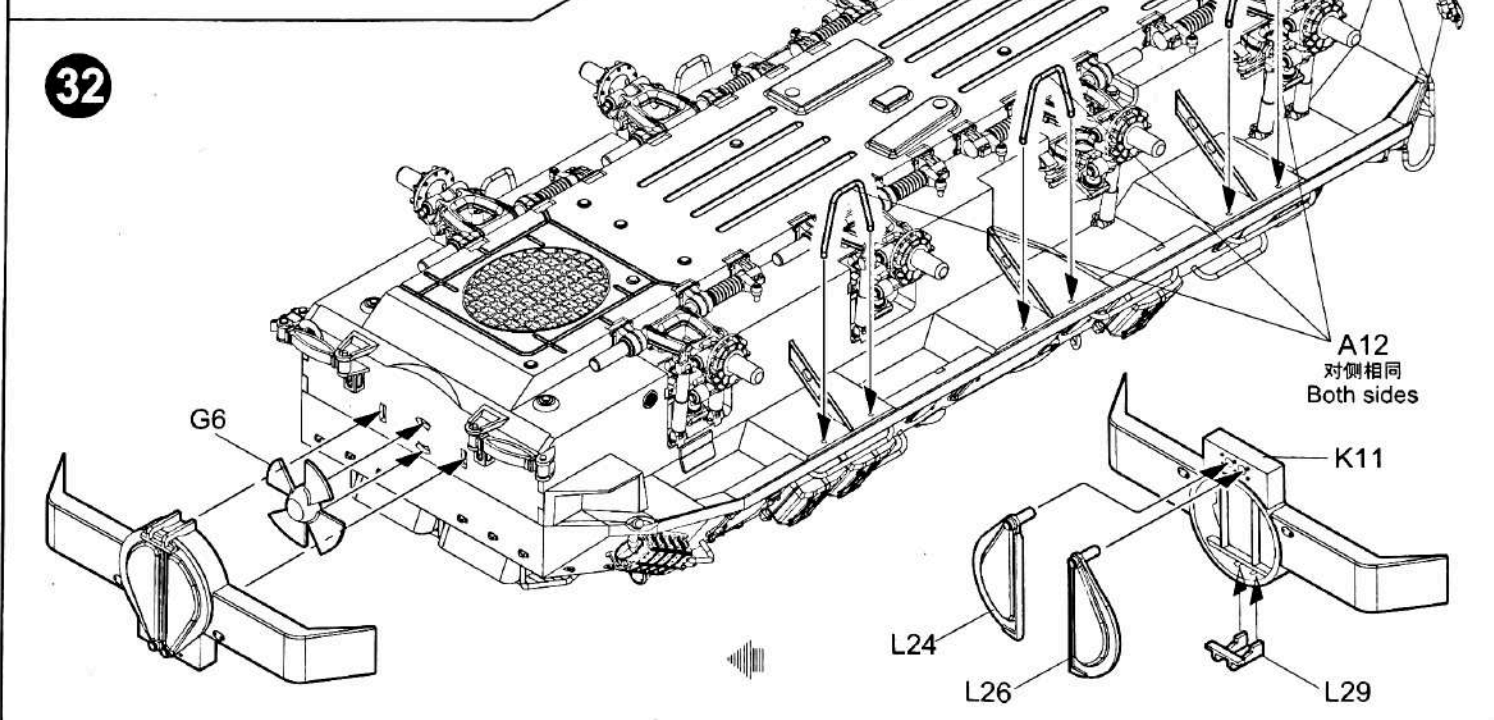
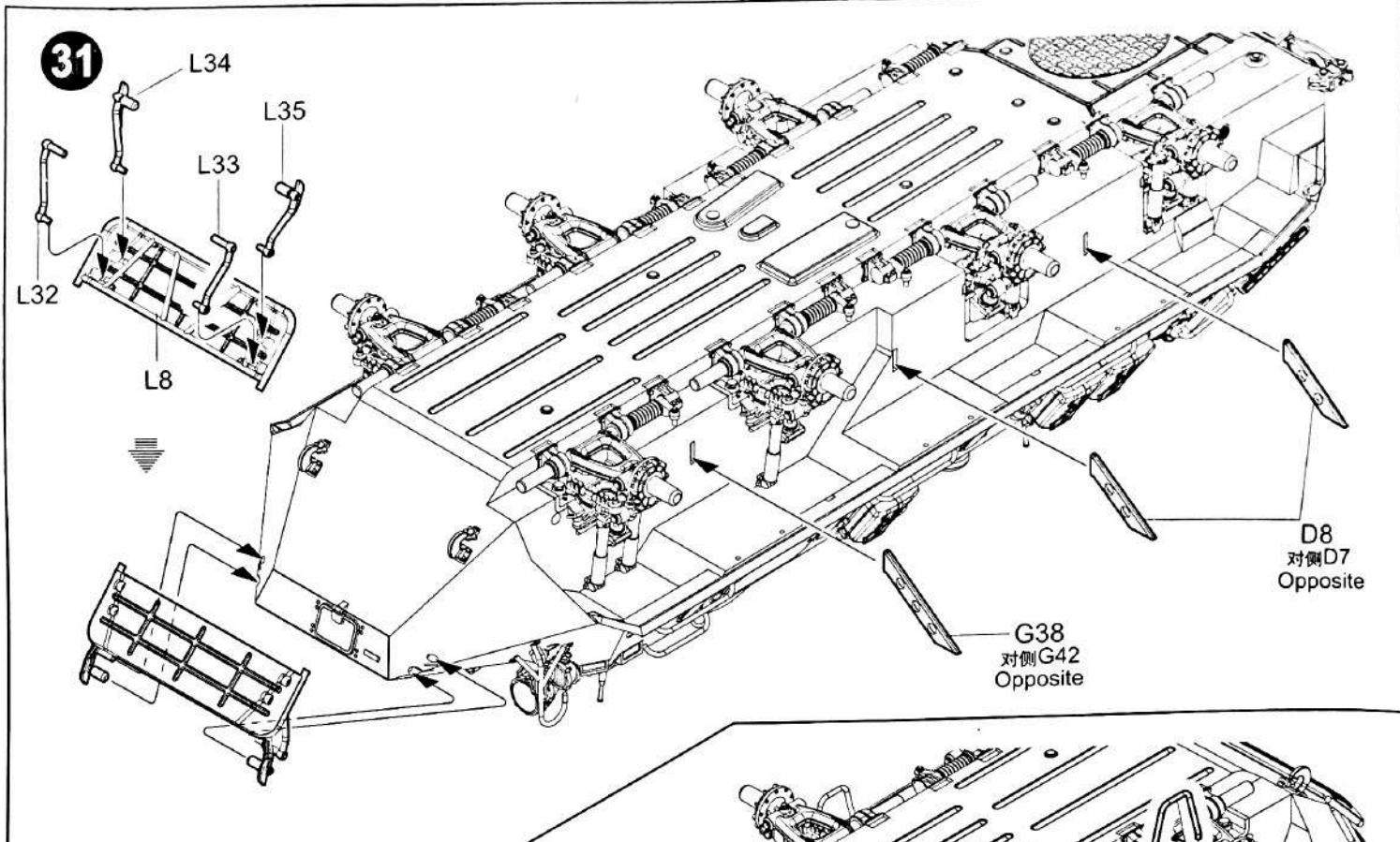


29



30





34

《右侧轮胎》
Right tyre

弯曲
Bend
PE-A16

弯曲
Bend
PE-A17

《左侧轮胎》
Left tyre

35

T44
T43

T5

T4

T54

T55

T11

T40

T29
PE-B6

T27
选择
Option

后期
Late

钻孔
Make hole

T7
PE-B3

T20

T45

T36

早期
Early

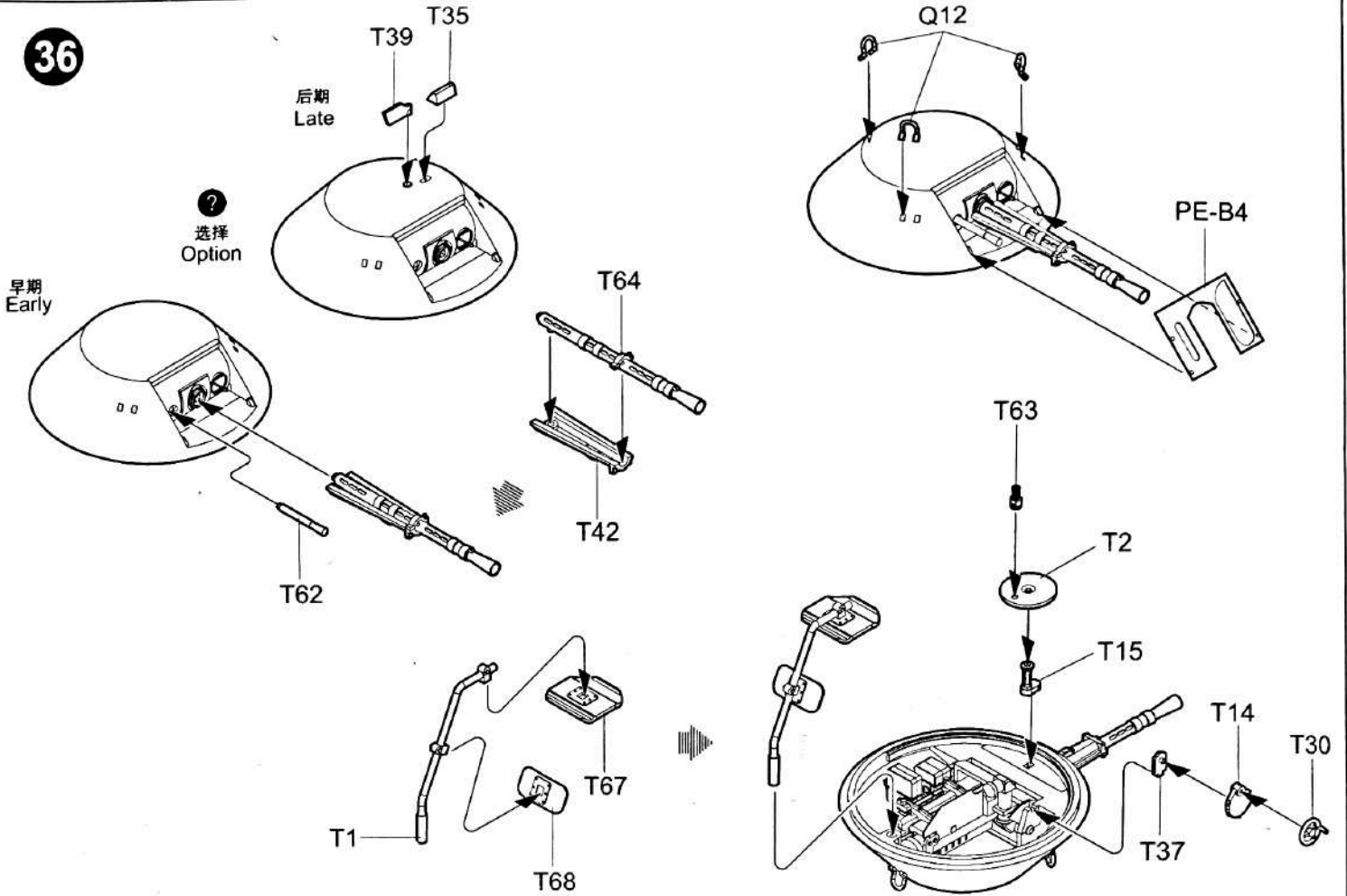
T23

不涂胶水
No cement

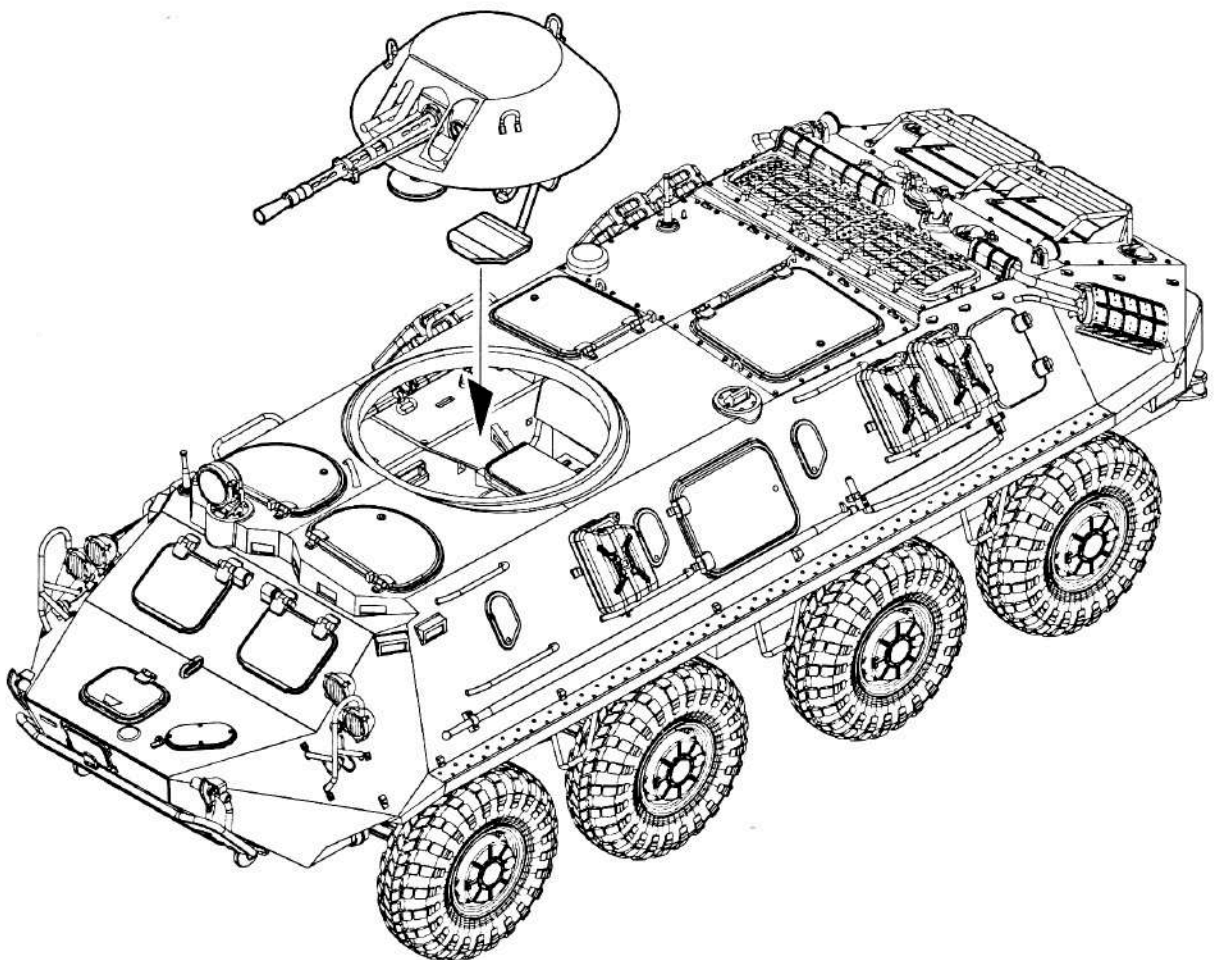
T49

锉平
File / Sand
填平
Fill

36



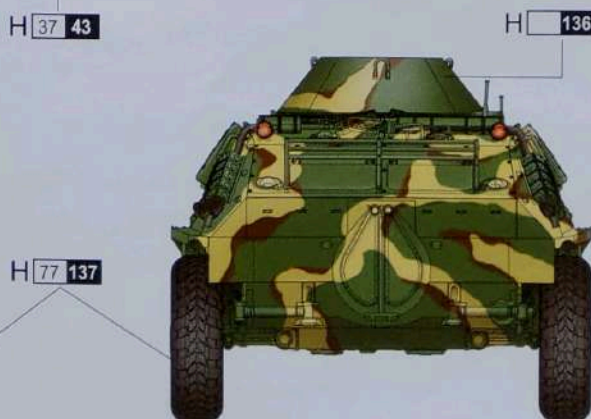
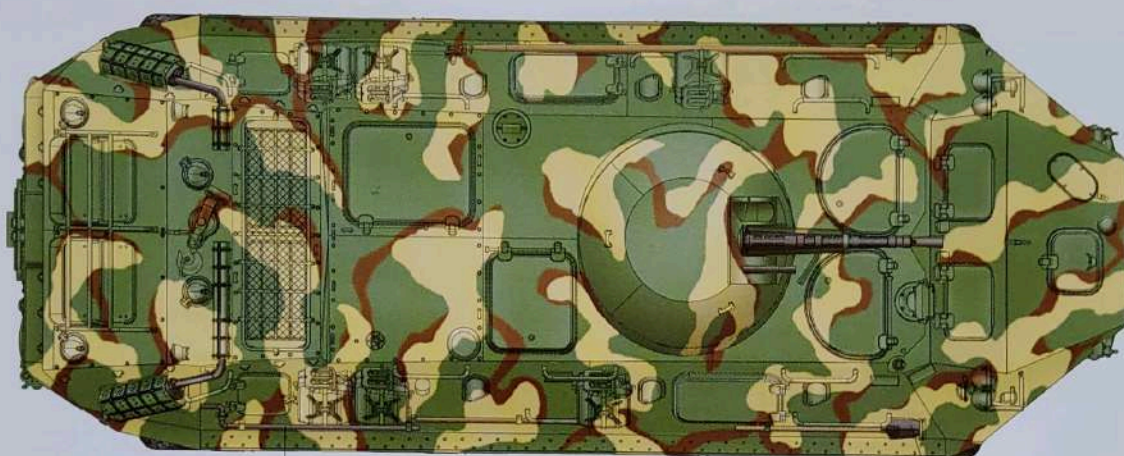
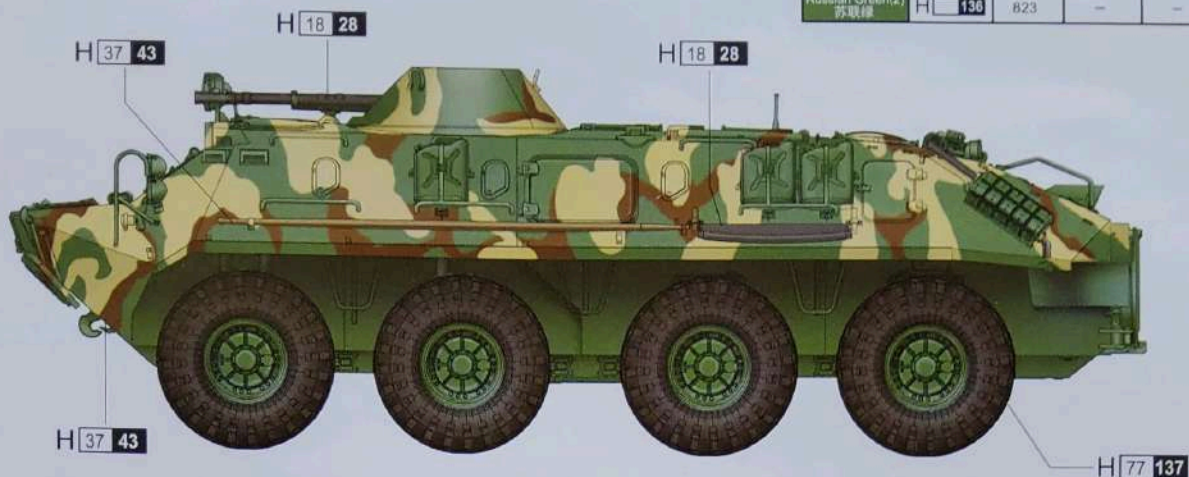
37



涂装同标贴指示 Painting & Marking guide

Color	Mr.Hobby	Vallejo	Model Master	Tamiya	Humbrol
Sandy Brown 砂黄色	H 79 39	824	-	XF59	93
Metal Black 黑铁色	H 18 28	864	1402	-	-
Wood Brown 木棕色	H 37 43	983	1701	-	186
Tire Black 胎黑色	H 77 137	-	-	-	-
Russian Green(2) 苏联绿	H 136	823	-	-	-

C



H AQUEOUS HOBBY COLOR ■ Mr. COLOR