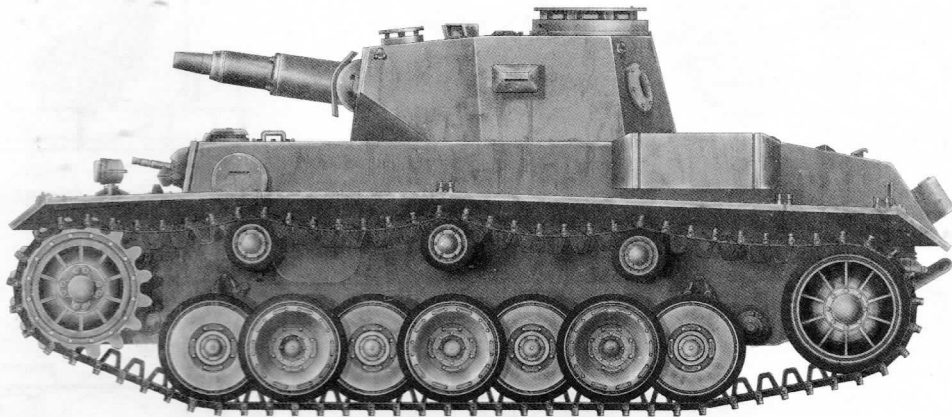


# German VK 3001(H) PzKpfw VI (Ausf A)

## 德国VK3001(H)中型坦克



### READ BEFORE ASSEMBLY:

- Study and understand these instructions thoroughly before beginning assembly
- When needed, remove photo-etch parts carefully using a modeling knife or photo etch sprue cutter, being careful not to damage or lose small parts.
- Take extra care in handling photo etch parts in order to avoid injury
- Apply instant cement sparingly to photo etch parts where instructed
- Tools recommended(not included in kit):Plastic and instant cements, sprue cutters,long nose pliers,modeling knife, small files, tweezers, pin vise & scissors. Soft cloth and sandpaper will also assist in construction
- Glue and paint are not included in the kit. Use plastic cement and hobby paints only. Color guide for purchasing paint is included in the kit.

### 装配之前仔细阅读

- 小心用模型锉刀锉平所有零件表面的注射浇口。
- 小心用刀片切下蚀刻片零件，不要遗失小零件。
- 用强力快干胶水粘合蚀刻片零件和金属轴。过量快干胶水使用可能导致可动零件会粘住，小心涂胶。
- 取蚀刻片时应特别注意安全，防止利边划伤手指。
- 某些零件表面需贴上水贴纸，请选择在装配的同时进行。
- 推荐模型工具(自备)：胶水，水口剪刀，长咀钳，刀片，锉刀，镊子，钳，钻，剪刀，瞬间快干胶。
- 软布同砂纸同时也应该是必备工具。
- 请使用塑料胶水和油漆，模型内不含。



配重  
Weight



使用强力胶  
Cyanoacrylate glue



钻孔  
Make hole



切除  
Cut / Remove



贴纸  
Decal



锉平  
File / Sand



选择  
Option



不涂胶水  
No cement



弯曲  
Bend

### 水贴纸的使用:

- 1.从水贴纸上剪下印花;
- 2.将印花放入温水中浸10秒, 然后放在干净布上。
- 3.拿着印花纸板将印花移到模型上;
- 4.手指蘸水将印花移到适当的位置;
- 5.用软布轻压印花直至水干, 气泡消失

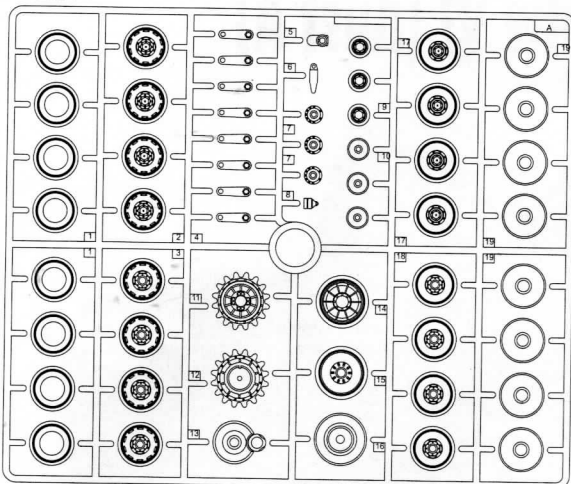
### DECAL APPLICATION

- 1.Cut decals from sheet as needed
- 2.Dip the decal in warm water for about 10 seconds and then place on soft clean cloth.
- 3.Hold the decal backing sheet edge and gently slide the decal onto the model in its proper position.

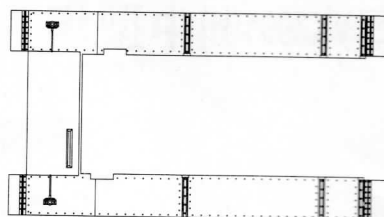
- 4.While still wet,decal can be adjusted for better fit on model by dampening it gently with your finger.
- 5.When placed in the proper position,gently press decal down with a soft cloth until excess water and air bubbles are gone.
- 6.Allow decal to dry completely before handling model

# 部品图 Parts

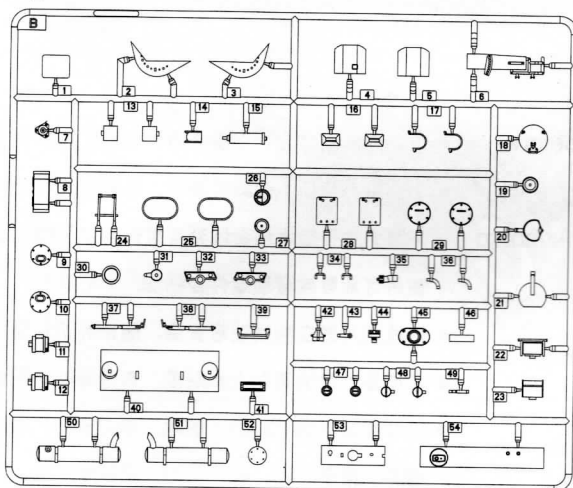
A x 2



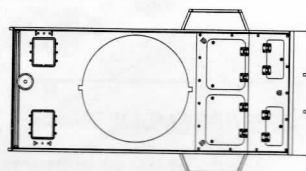
《裙板》  
Side fender



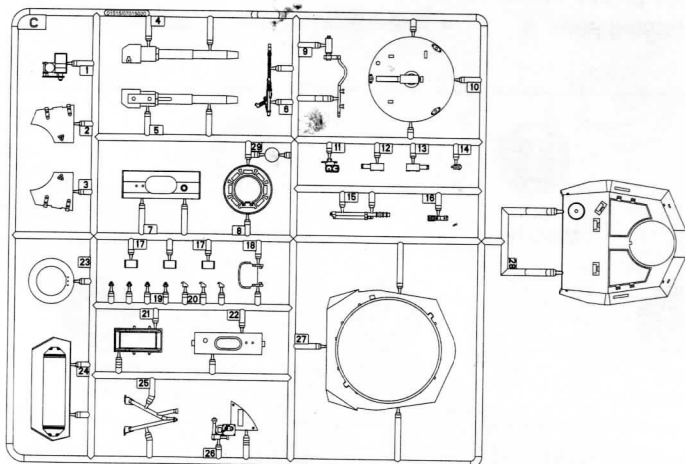
B



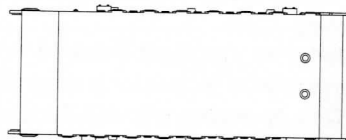
《车面》  
Upper hull



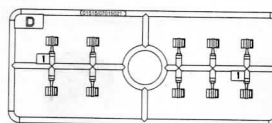
C



《车底》  
Lower hull



D

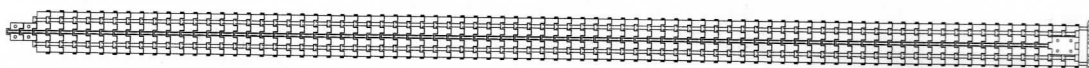


《水贴纸》  
Decal

+0123456789  
+0123456789

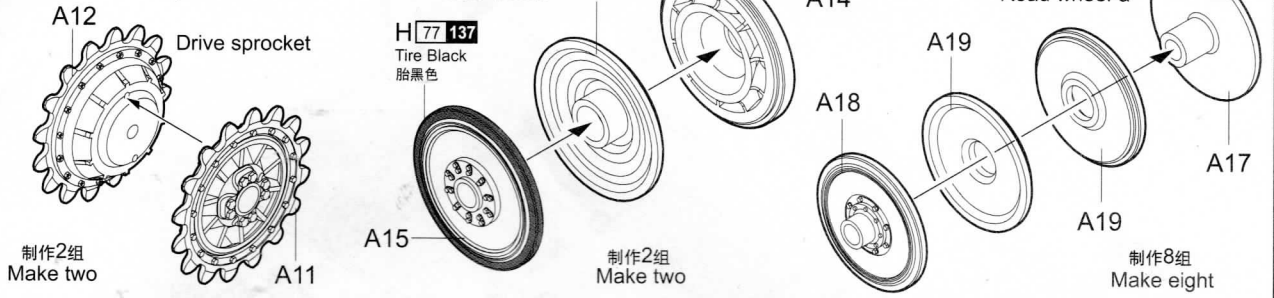
01515 1/35 German VK 3001(H) Panzer VI (Ausf. A)

《履带》 x 2  
Track

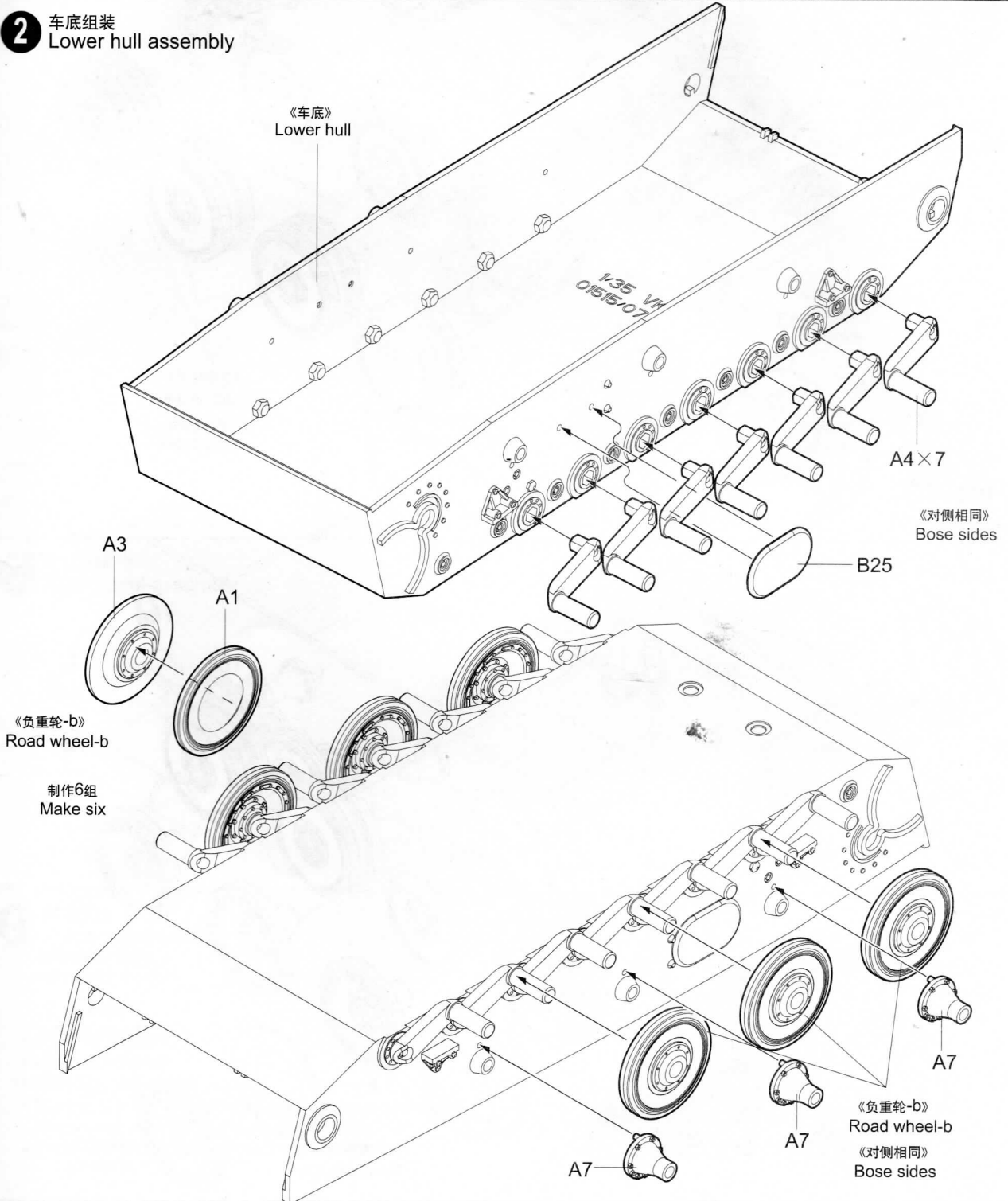


不用部品: A1 x 4, A2 x 2, A3 x 2, A6 x 2, B30, B46  
No parts

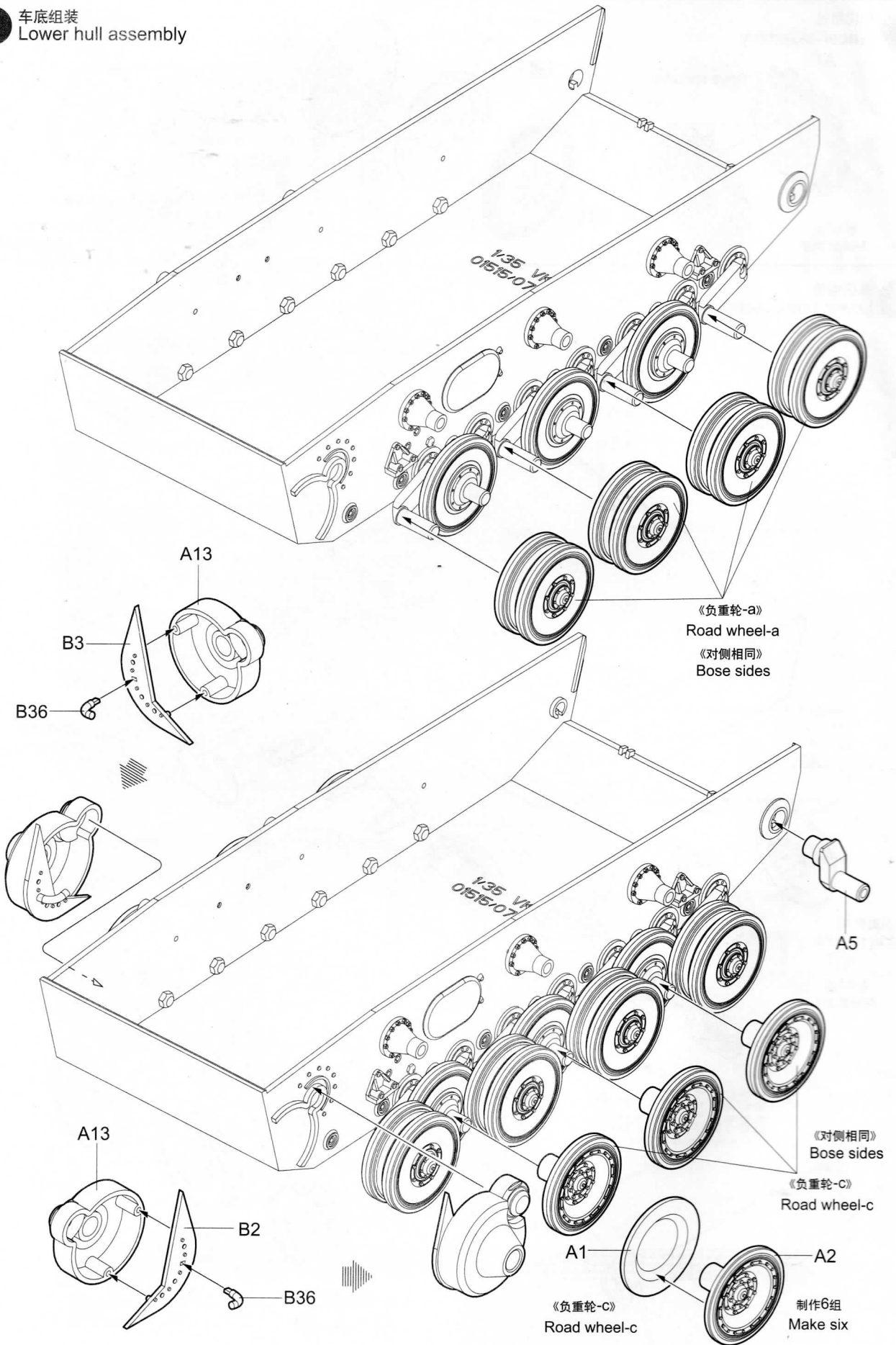
**1** 车轮组装  
Wheel assembly



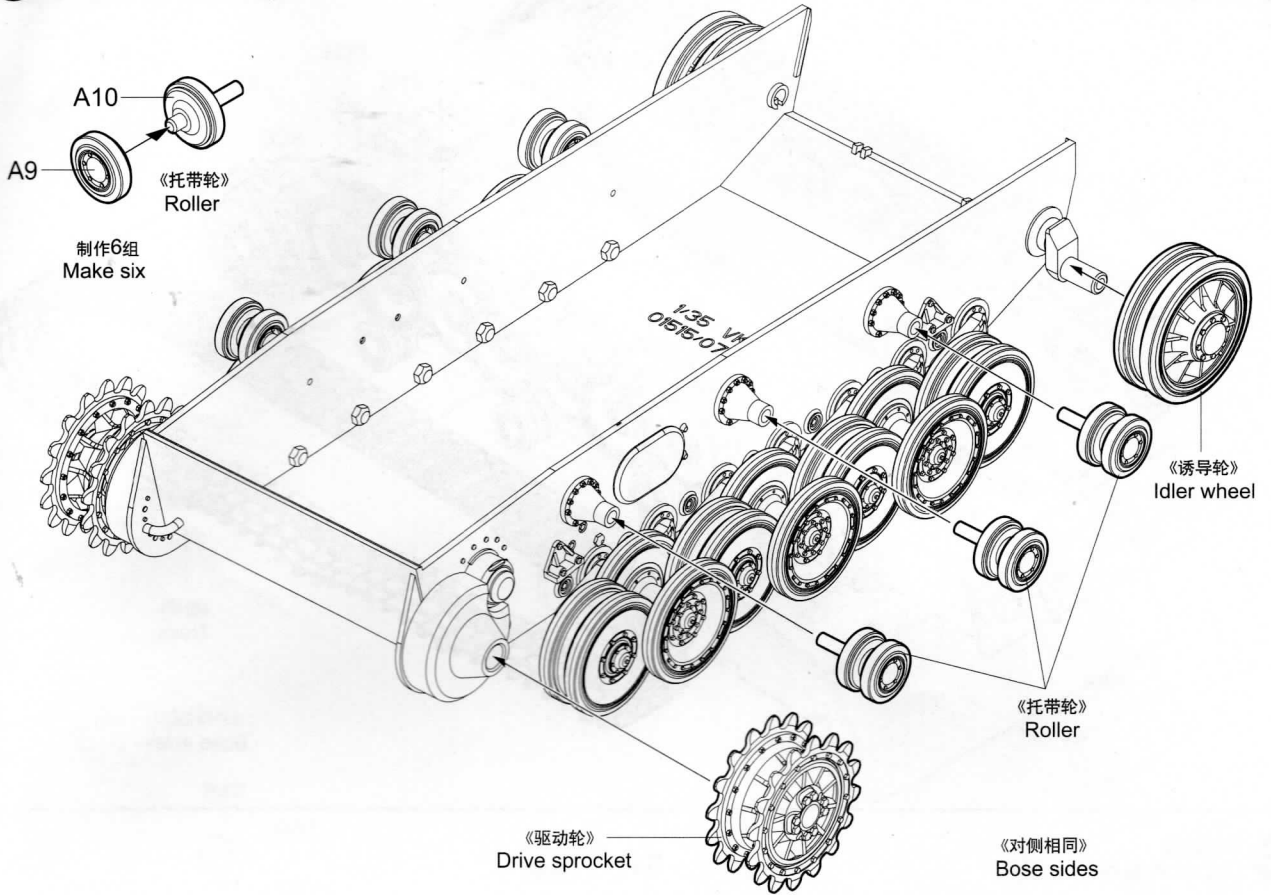
**2** 车底组装  
Lower hull assembly



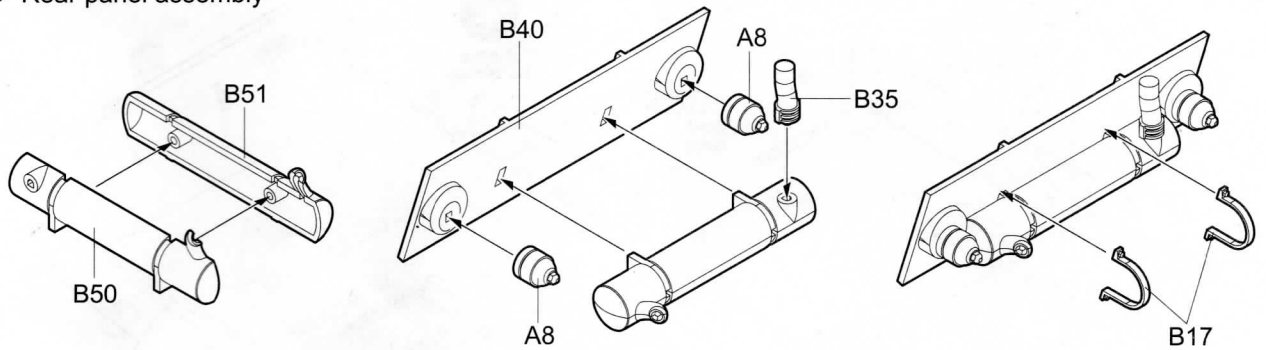
**3** 车底组装  
Lower hull assembly



**4** 车底组装  
Lower hull assembly

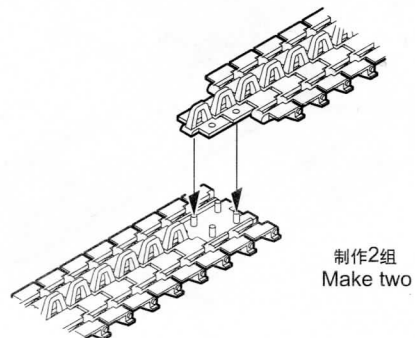


**5** 后板组装  
Rear panel assembly

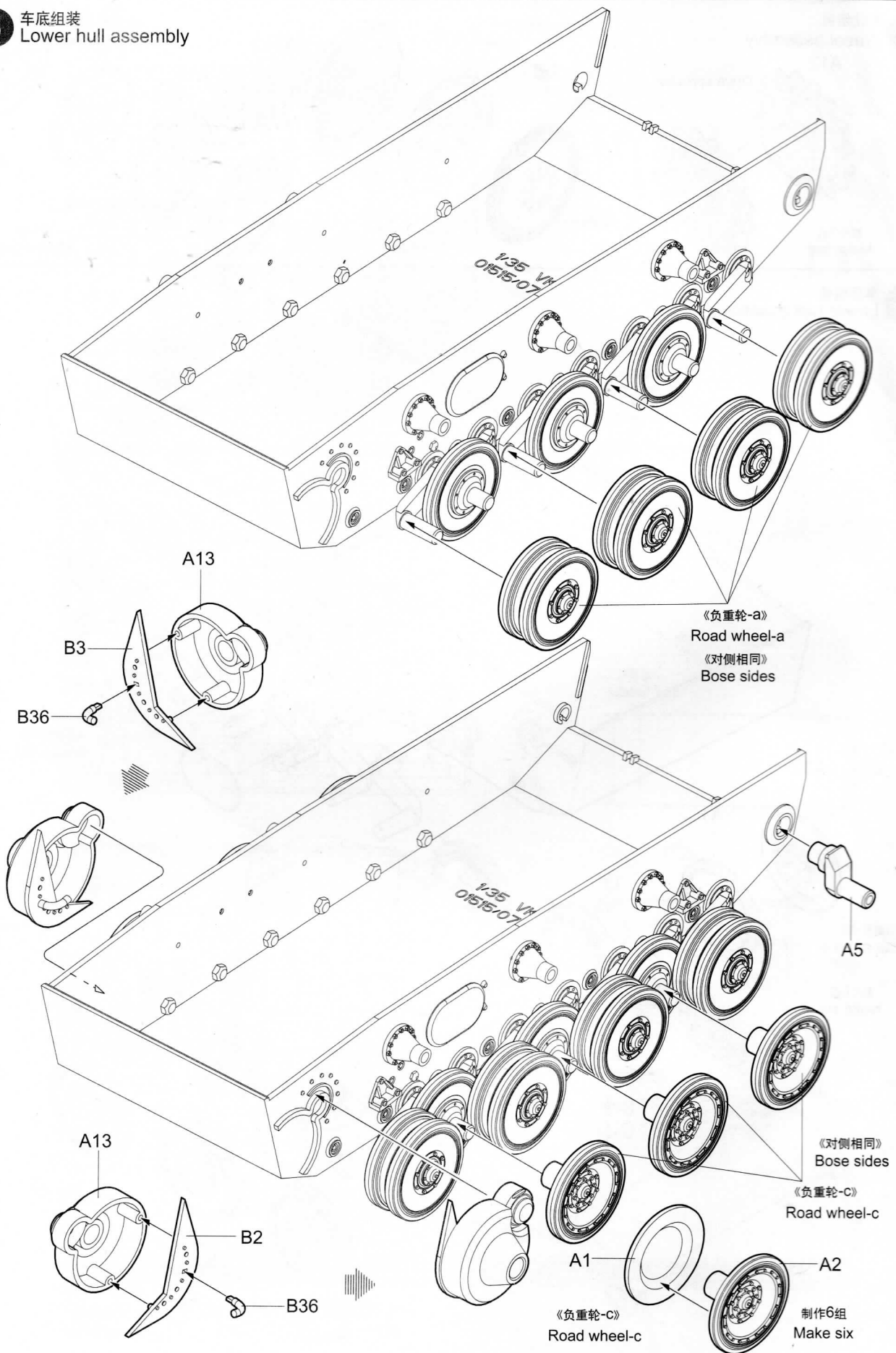


**6** 履带联接  
Track construction

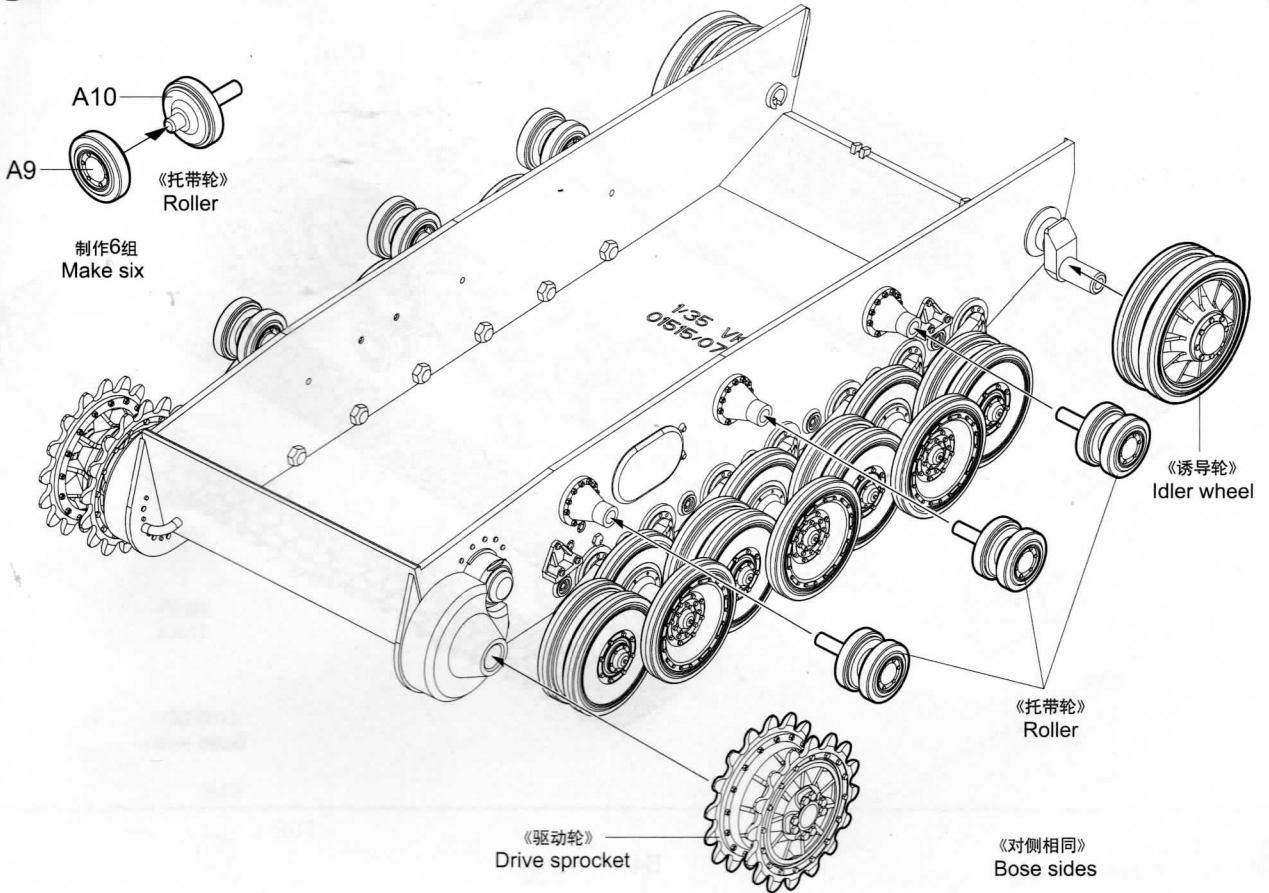
- \* 履带可用塑料胶水粘合。
- \* 履带可用模型油漆喷涂。
- \* 若履带断裂，用细丝线固定。
- \* The tracks in this kit can be glued using plastic cement.
- \* The tracks can be painted using plastic paints.
- \* If track is broken strengthen with staples or thread.



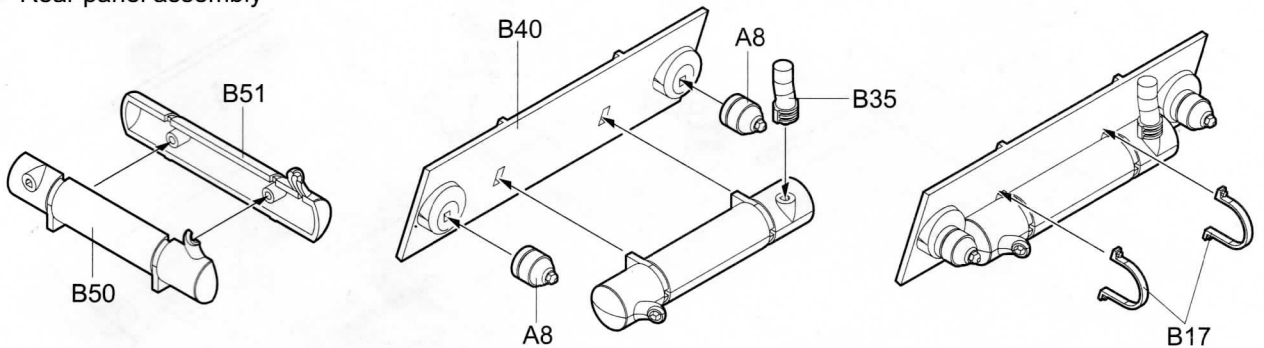
**3** 车底组装  
Lower hull assembly



**4** 车底组装  
Lower hull assembly

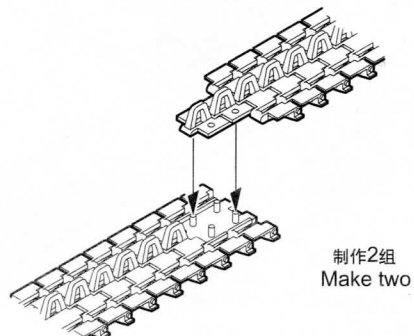


**5** 后板组装  
Rear panel assembly

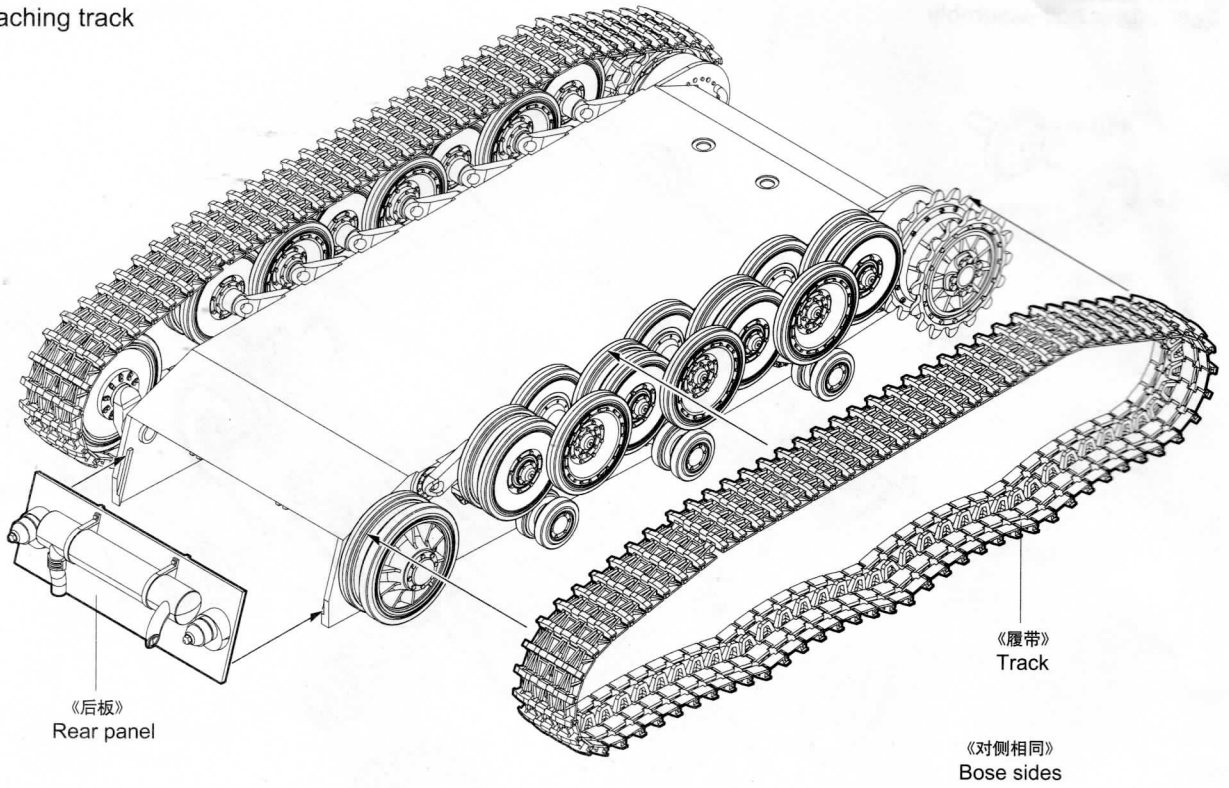


**6** 履带联接  
Track construction

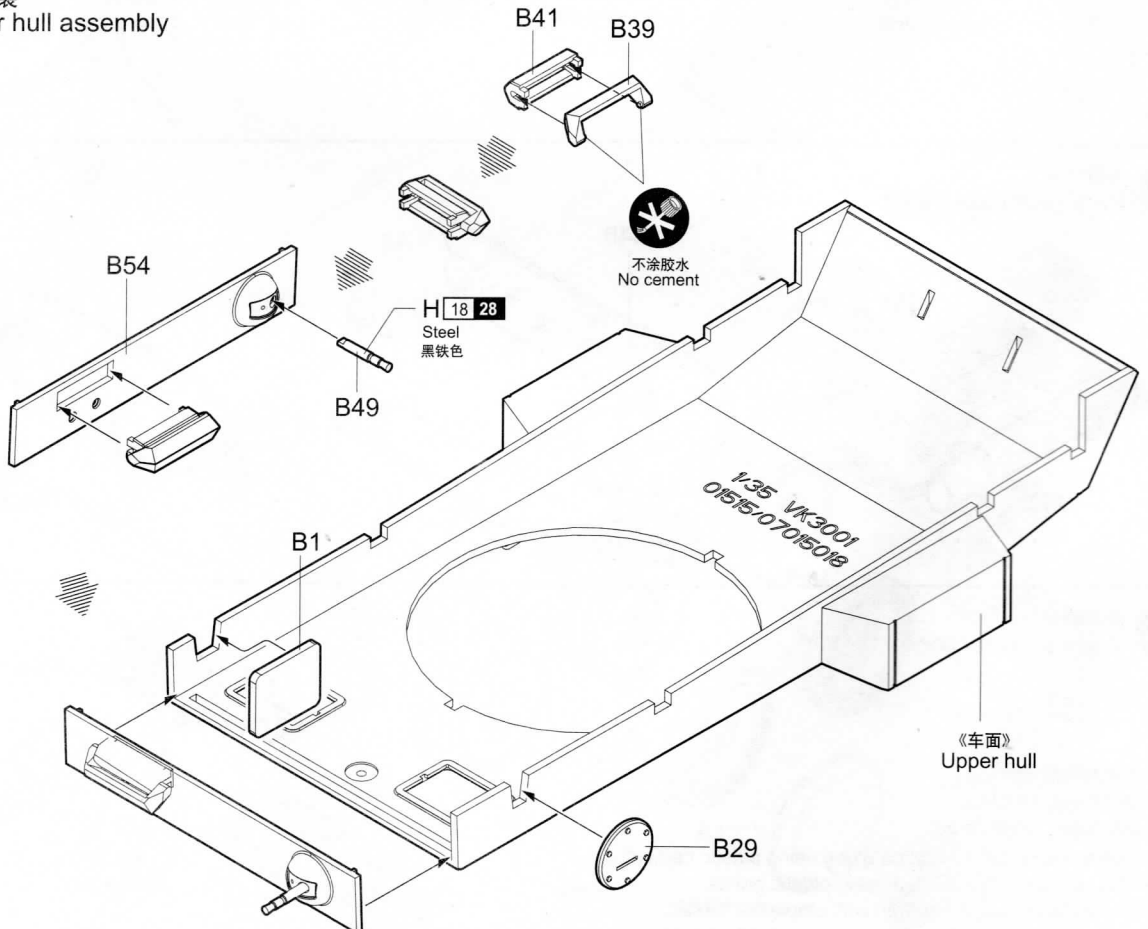
- \* 履带可用塑料胶水粘合。
- \* 履带可用模型油漆喷涂。
- \* 若履带断裂，用细丝线固定。
- \* The tracks in this kit can be glued using plastic cement.
- \* The tracks can be painted using plastic paints.
- \* If track is broken strengthen with staples or thread.



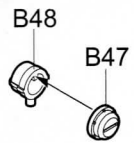
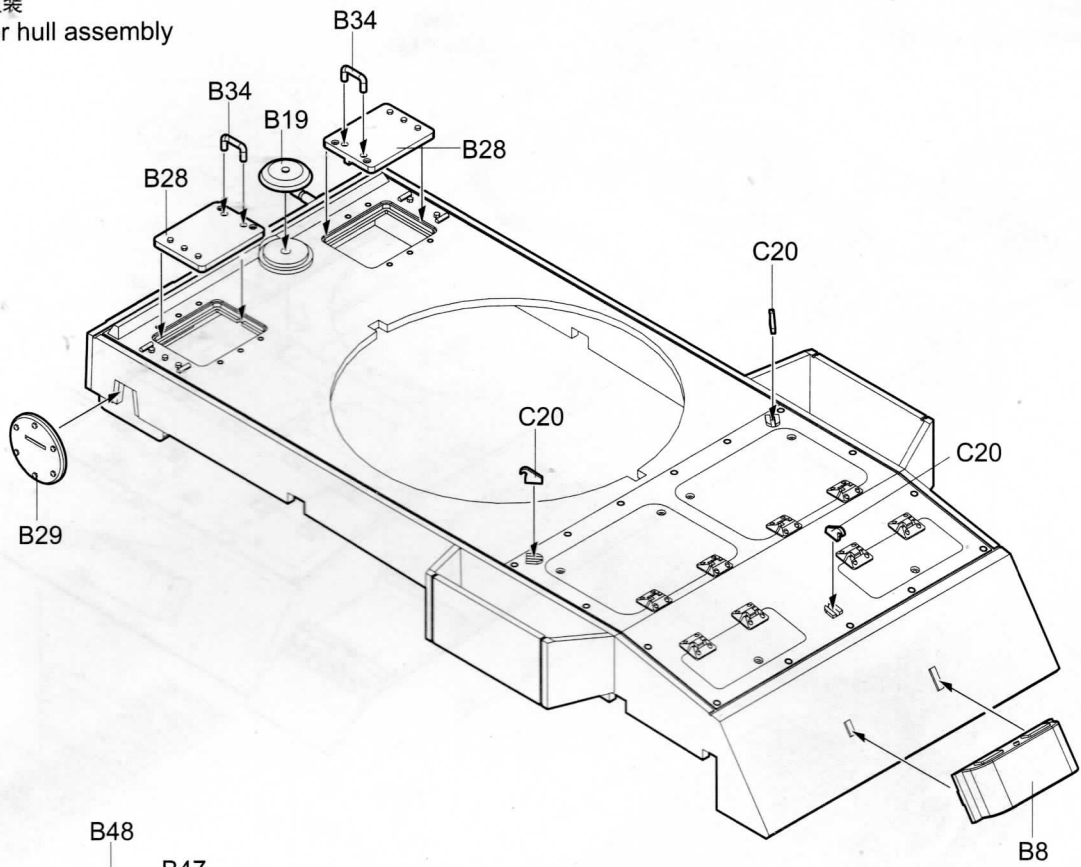
**7** 履带安装  
Attaching track



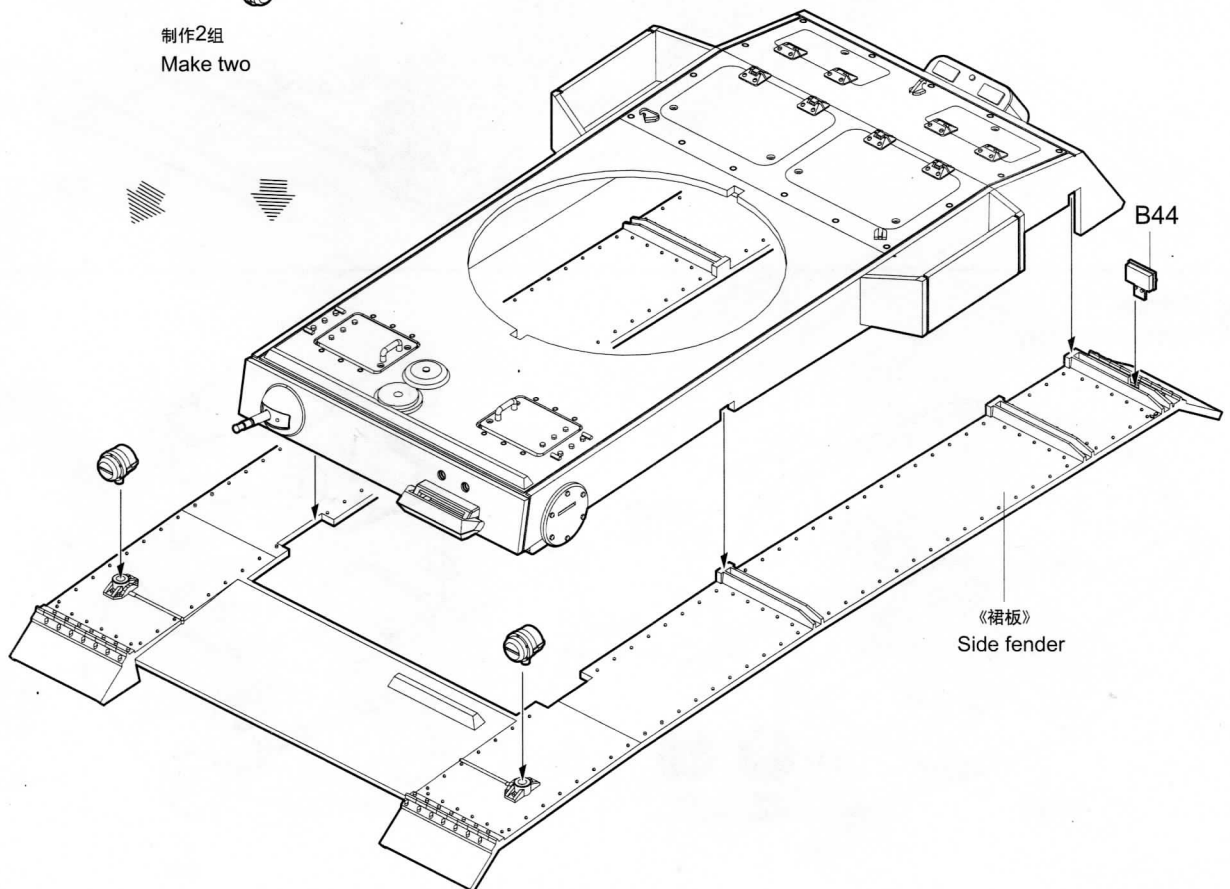
**8** 车面组装  
Upper hull assembly



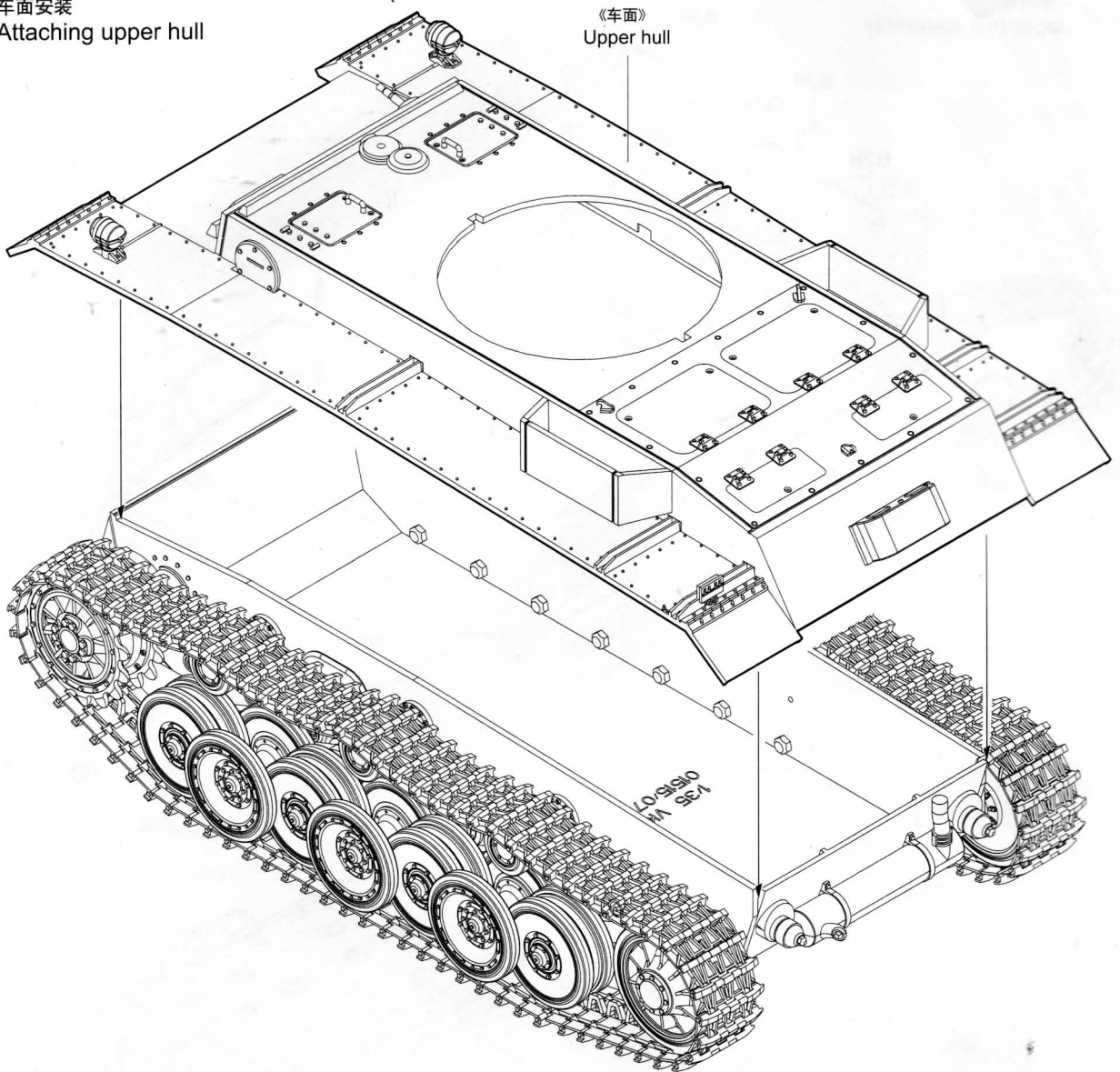
**9** 车面组装  
Upper hull assembly



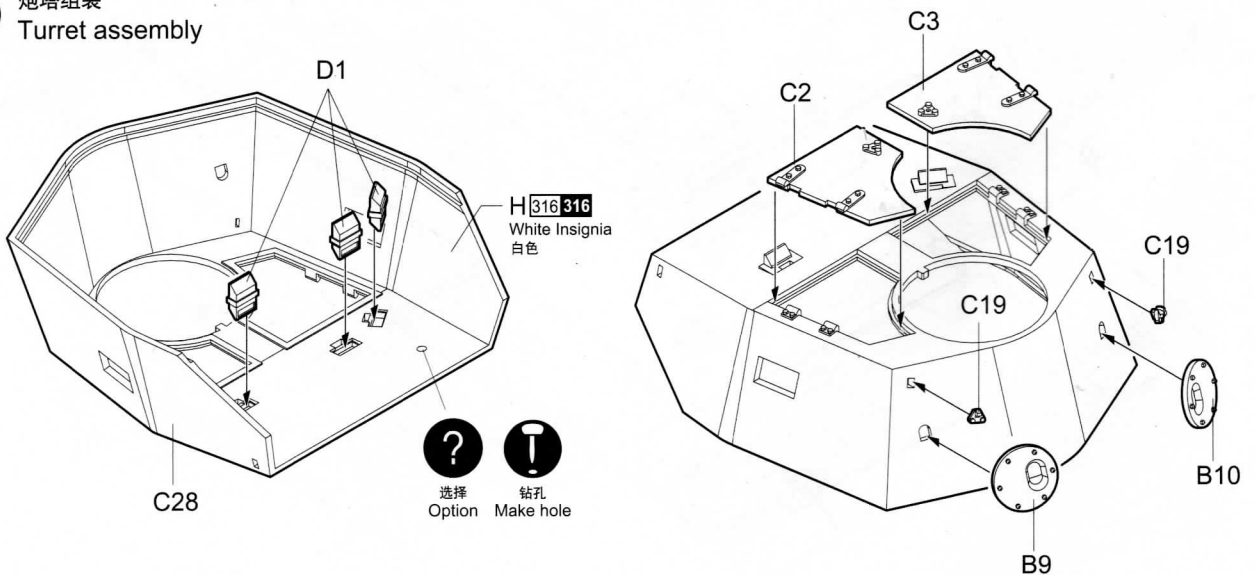
制作2组  
Make two



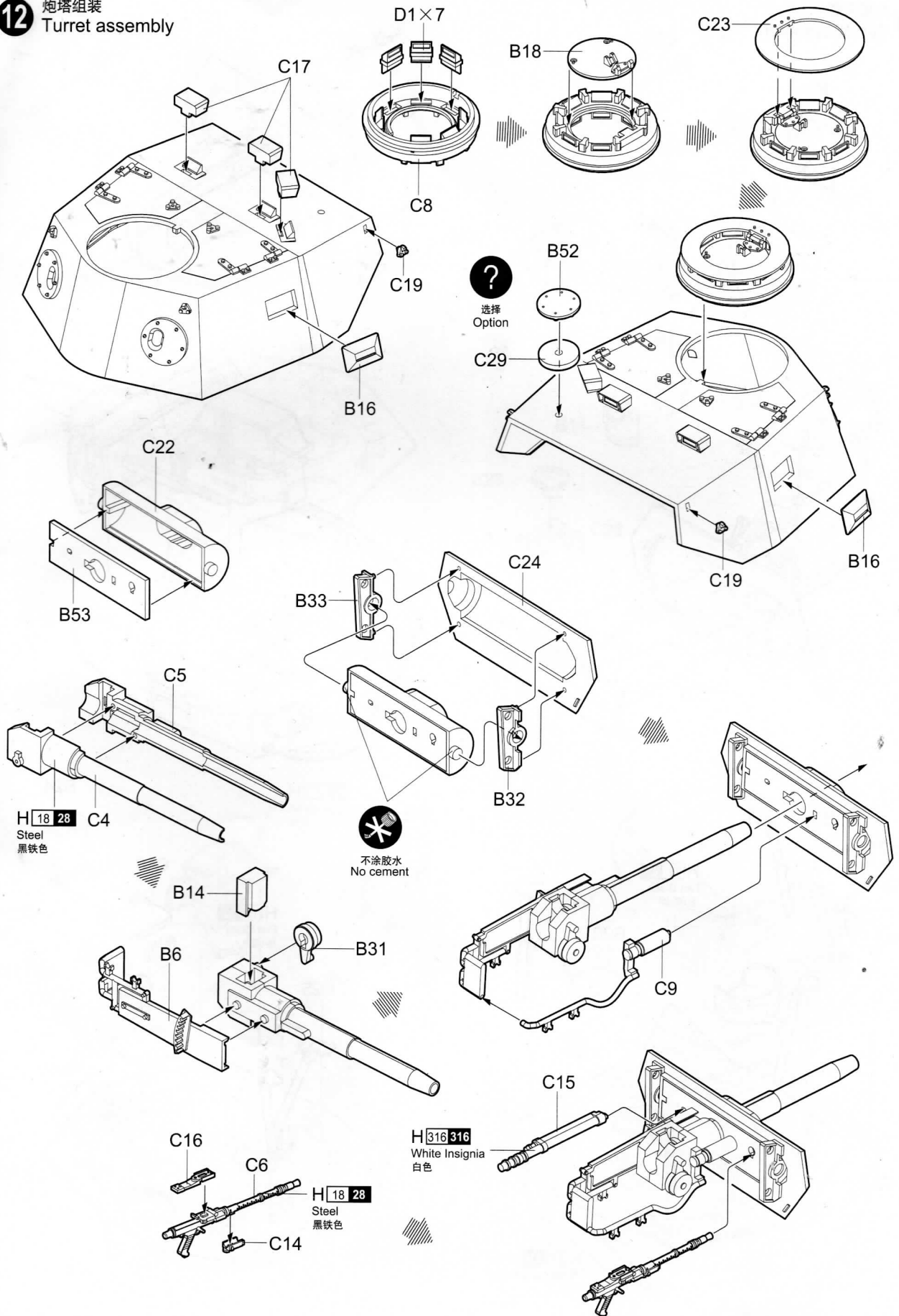
**10** 车面安装  
Attaching upper hull



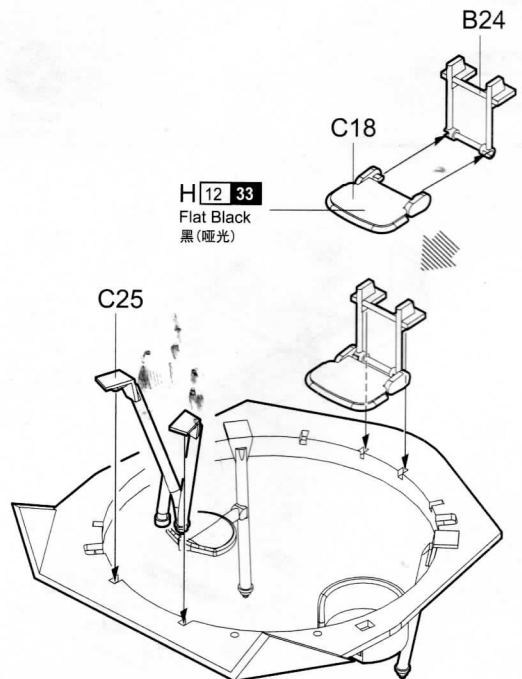
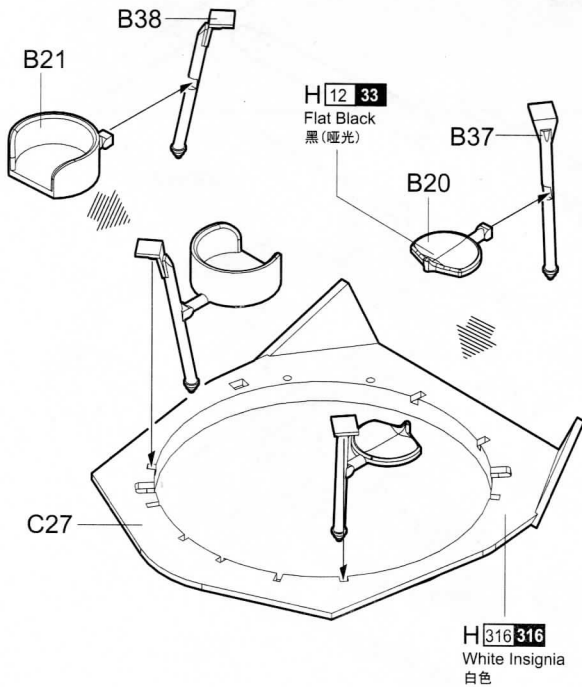
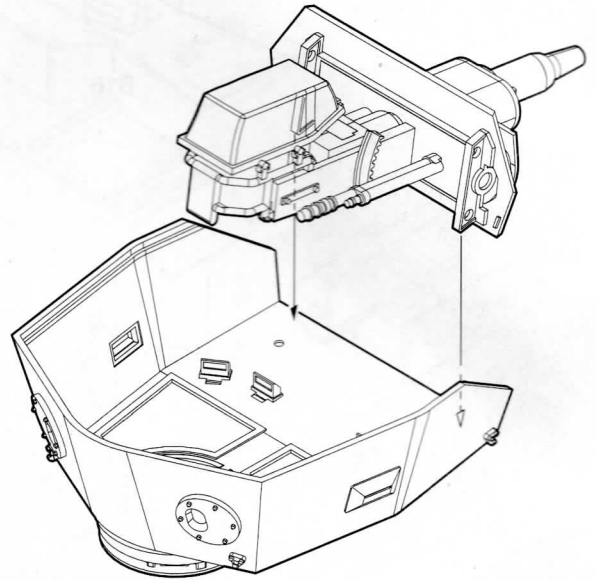
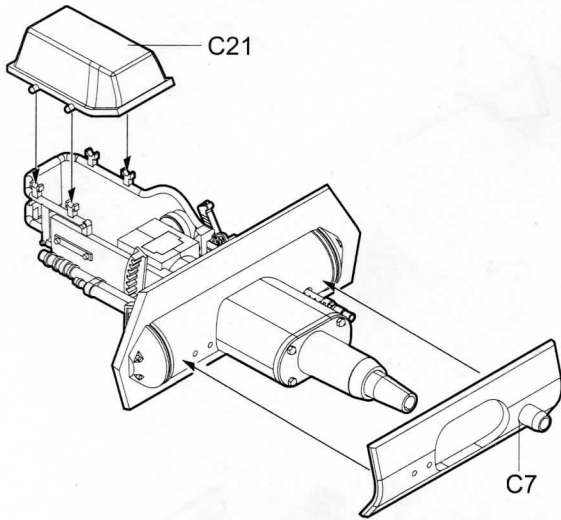
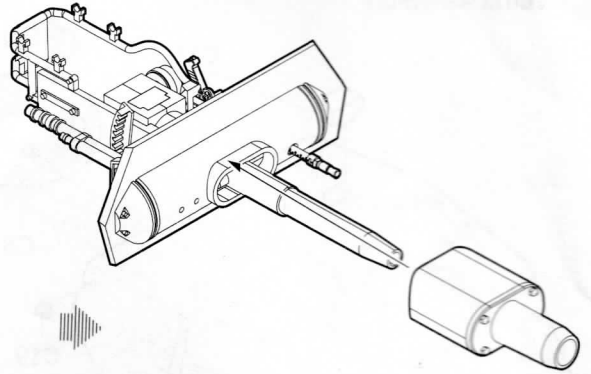
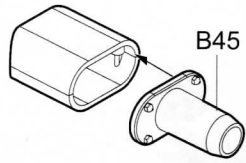
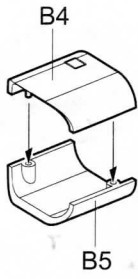
**11** 炮塔组装  
Turret assembly



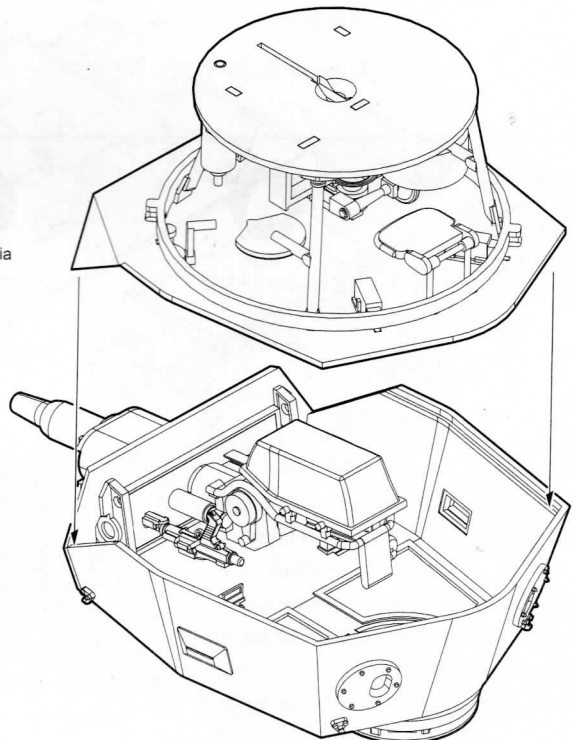
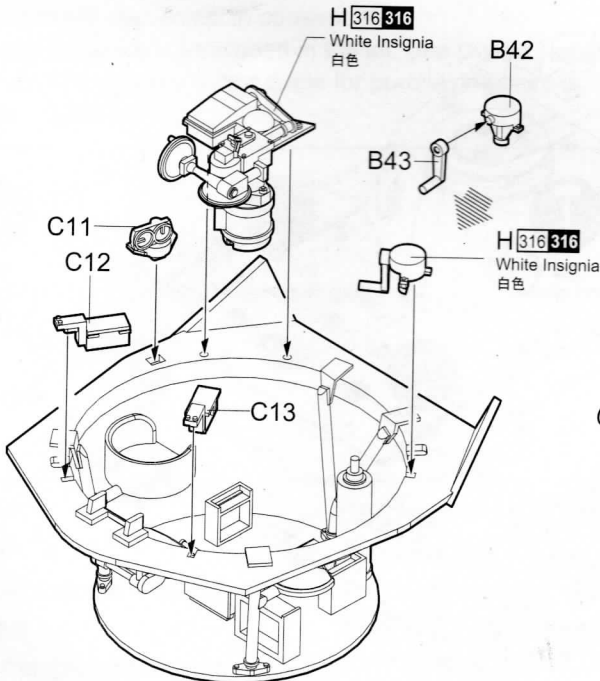
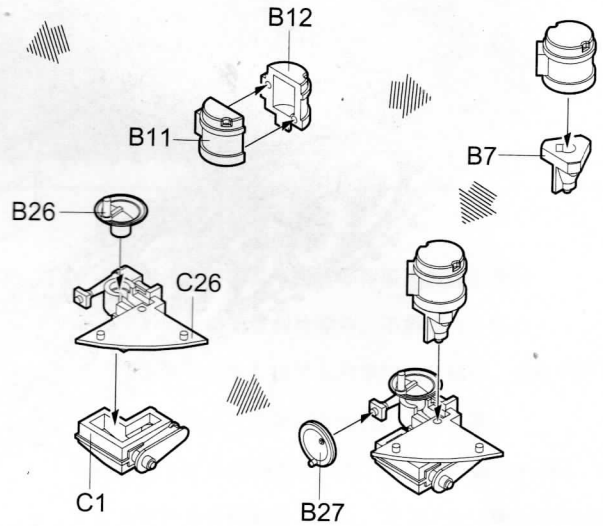
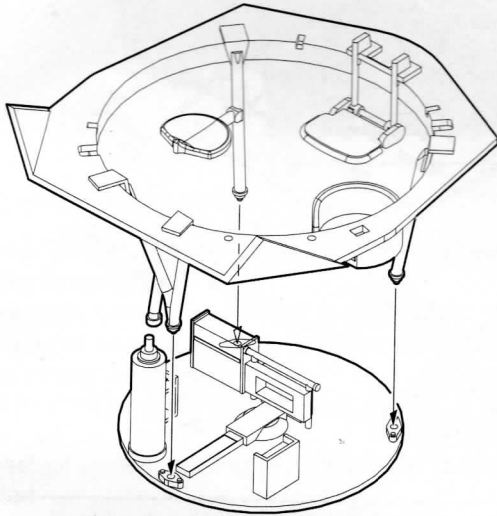
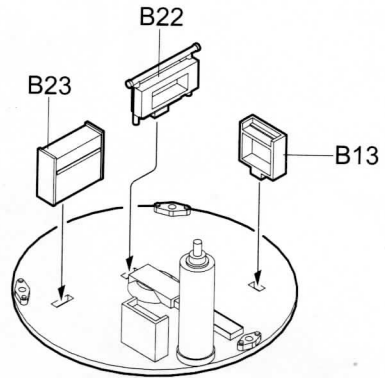
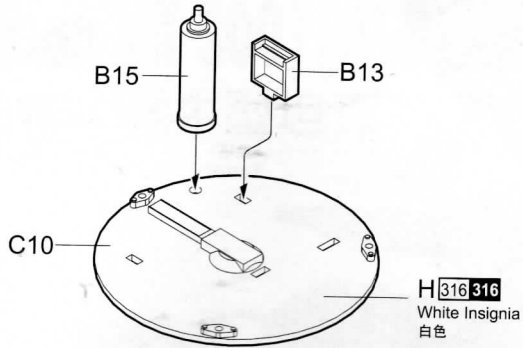
**12** 炮塔组装  
Turret assembly



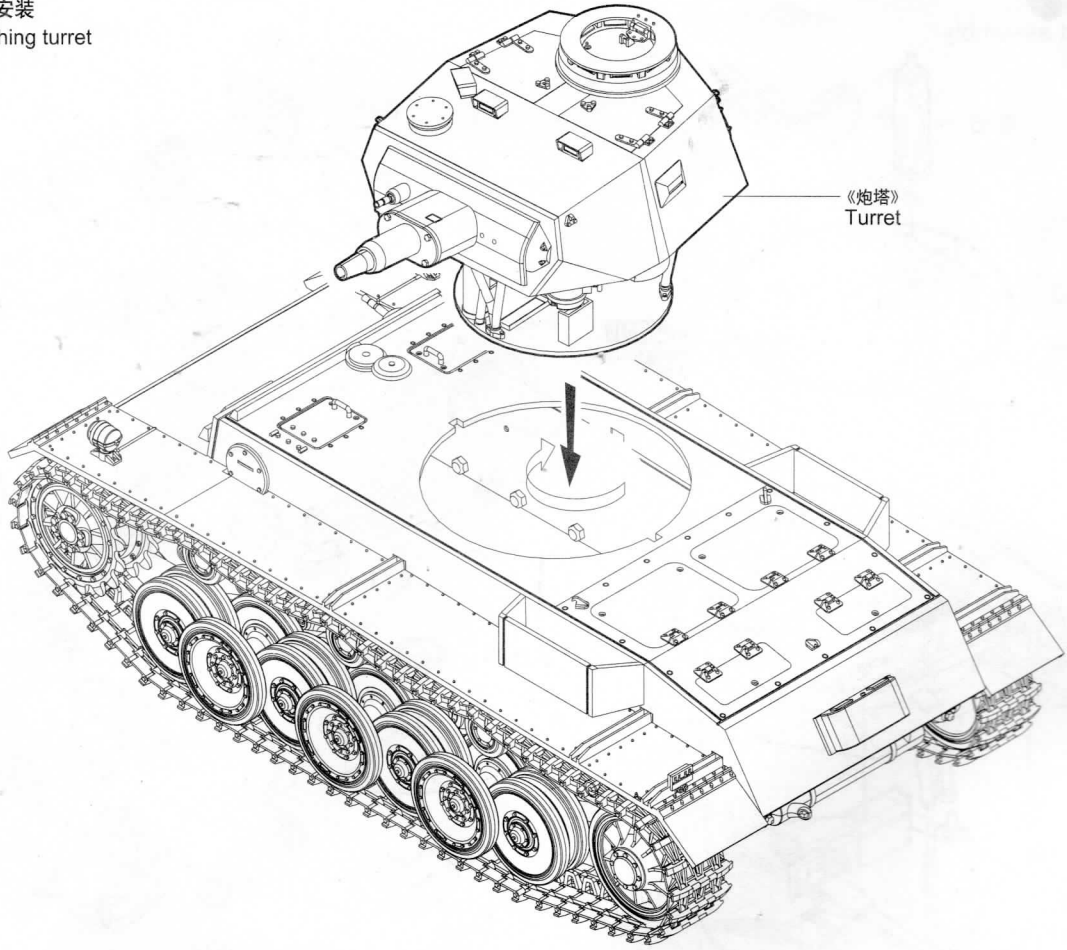
**13** 炮塔组装  
Turret assembly



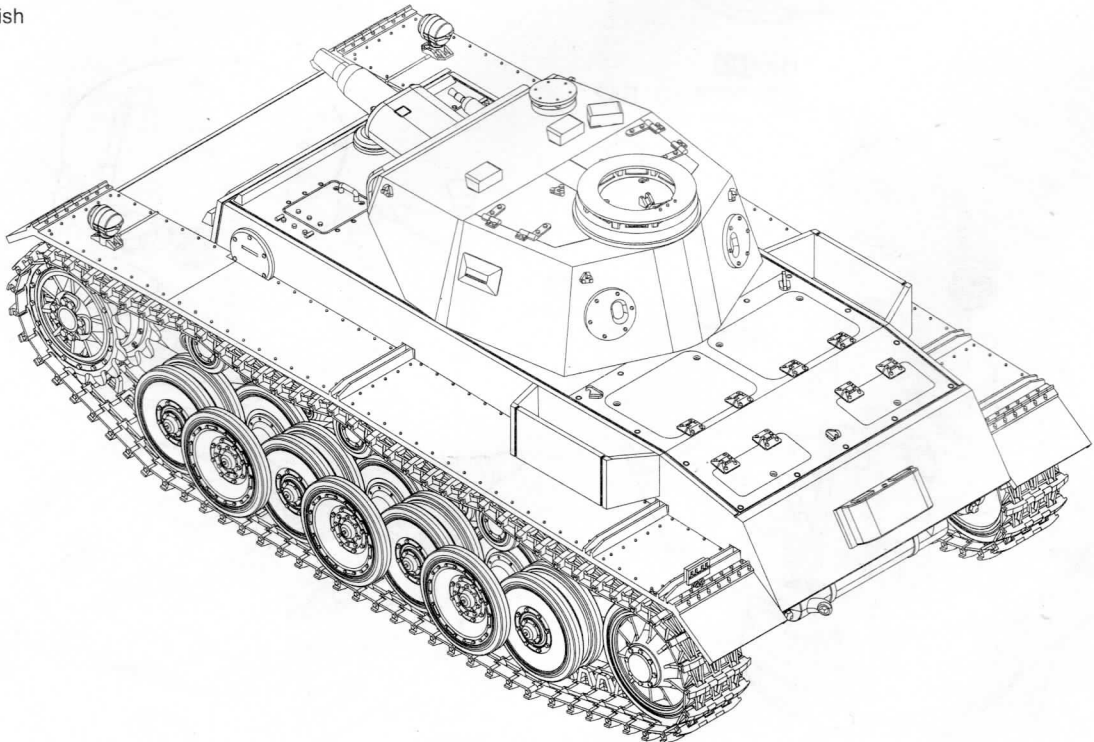
**14** 炮塔组装  
Turret assembly



**15** 炮塔安装  
Attaching turret



**16** 完成  
Finish



涂装同标贴指示  
Painting & Marking guide

PAINT REFERENCE COLOUR

Color	Mr.Hobby	Vallejo	Model Master	Tamiya	Humbrol
Tire Black 胎黑色	H77 137	—	—	—	—
Field Gray 原野灰	H32 40	830	—	XF22	111
Stein Metal Black 黑铁色	H18 28	864	1402	—	—

