

1:350 SCALE

ITEM NO.:05323

German Zerstörer Z-43 1944

德国海军Z-43驱逐舰1944年



READ BEFORE ASSEMBLY:

- This kit is not recommended for inexperienced modelers or for children under 14 years of age.
- Study and understand these instructions thoroughly before beginning assembly.
- When needed, remove photo-etch parts carefully using a modeling knife or photo etch sprue cutter, being careful not to damage or lose small parts.
- Take extra care in handling photo etch parts in order to avoid injury.
- Apply instant cement sparingly to photo etch parts where instructed.
- Tools recommended/not included in kit: Plastic and instant cements, sprue cutters, long nose pliers, modeling knife, small files, tweezers, pin vise & scissors. Soft cloth and sandpaper will also assist in construction.
- Glue and paint are not included in the kit. Use plastic cement and hobby paints only. Color guide for purchasing paint is included in the kit.
- Keep out of reach of children. They must not be allowed to ingest small parts or handle plastic bags in any way.

装配之前仔细阅读

- 小心用模型剪刀修剪所有零件表面的注塑浇口。
- 小心用刀片切下蚀刻片零件，不要丢失小零件。
- 用镊子夹取蚀刻片零件和金属件。过量的快干胶水使用可能导致零件会粘连，小心涂胶。
- 取蚀刻片时应特别注意安全，防止划伤手指。
- 某些零件表面需涂上水贴纸，请选择合适的时间进行。
- 推荐模型工具(自备): 胶水、水口剪刀、长嘴钳、刀片、镊子、锉、钻、剪刀、细网快干胶。
- 软布同砂纸同时也应该是必备工具。
- 请使用塑料胶水和油漆。模型内不含。
- 谨防小孩误食塑料零件，或者将塑料袋套在头上，操作时应将零件远离小孩接触。
- 本产品不适合14岁以下没有经验的模型爱好者。



cyanoacrylate glue
使用强力胶



weight
配重



make hole
钻孔



cut / remove
切除



bend
弯曲



file / sand
锉平



option
选择



no cement
不涂胶水



decal
贴纸

水贴纸的使用:

1. 从水贴纸上剪下印花;
2. 将印花放入温水中浸10秒, 然后放在干净布上;
3. 拿着印花纸将印花移到模型上;
4. 手指蘸水将印花移到适当的位置;
5. 用软布轻压印花直至水平, 气泡消失。

DECAL APPLICATION:

1. Cut decals from sheet as needed.
2. Dip the decal in warm water for about 10 seconds and then place on soft clean cloth.
3. Hold the decal backing sheet edge and gently slide the decal onto the model in its proper position.
4. While still wet, decal can be adjusted for better fit on model by dampening it gently with your finger.
5. When placed in the proper position, gently press decal down with a soft cloth until excess water and air bubbles are gone.
6. Allow decal to dry completely before handling model.

部品图 Parts

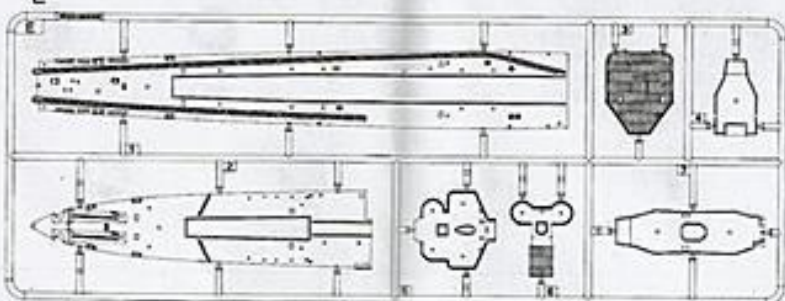
(船体)
Hull



A



E



05323

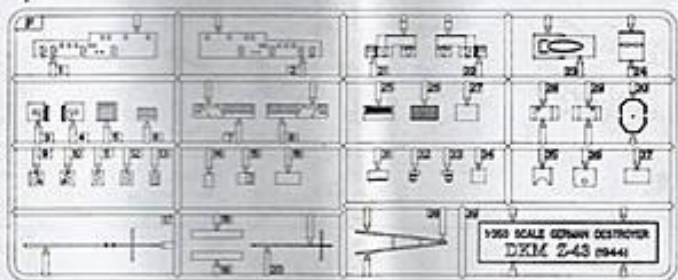
1

05323

2

部品图 Parts

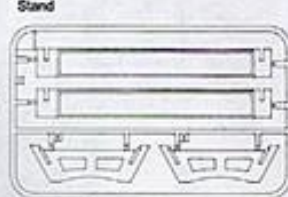
F



H X4



(E3D) Stand



G X2



(E3D) A
Photo etched parts A



(E3D) B
Photo etched parts B



(E3D) Decal

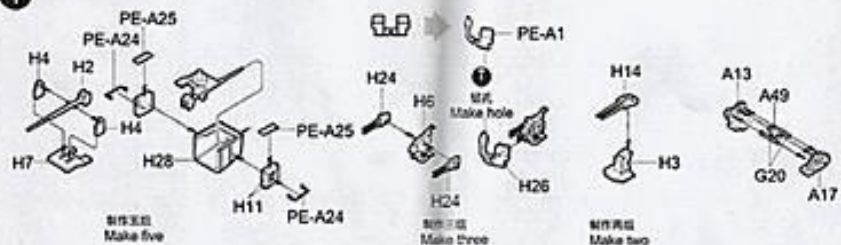


※使用部品: A37 A38 G2 G11 G13 G14 G16 G23 G28 G31 H5 H8 H9 H13 H25 H27 PE-A2 PE-A3 PE-A4
Unused Parts PE-A5 PE-A9

05323

3

1

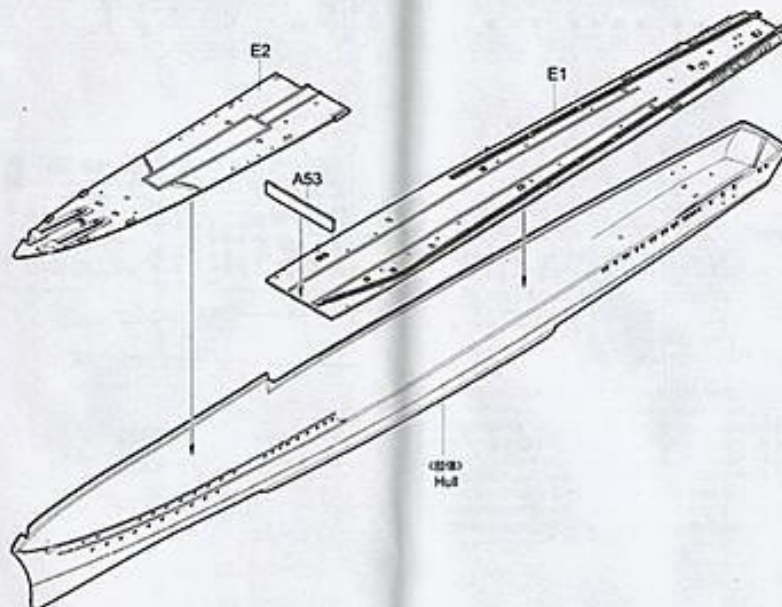
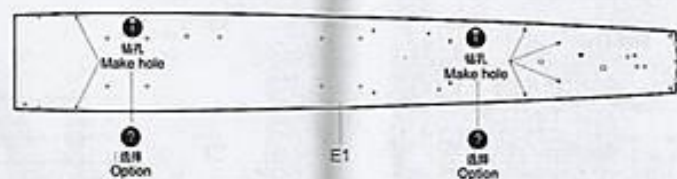


※作組
Make five

※作組
Make three

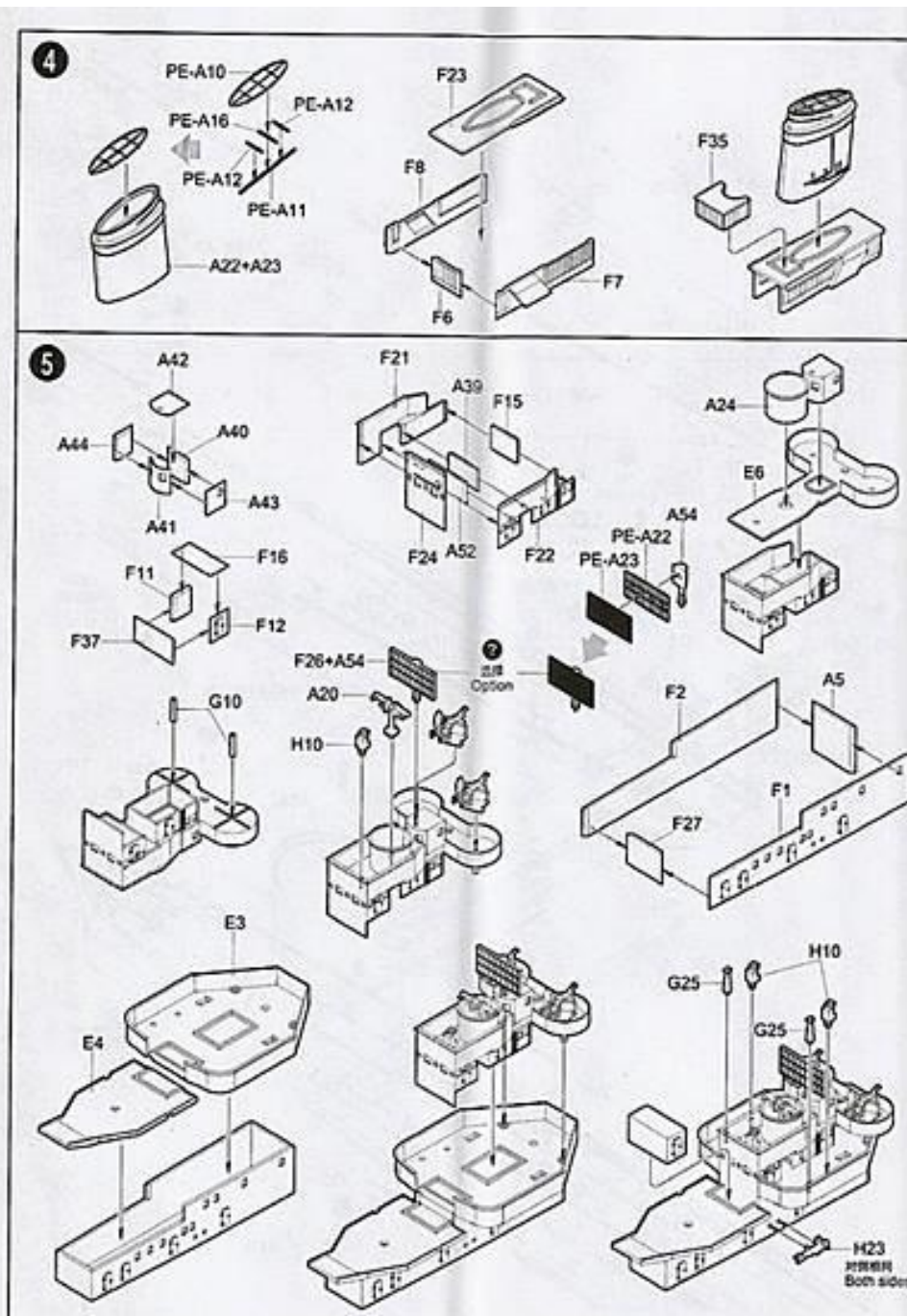
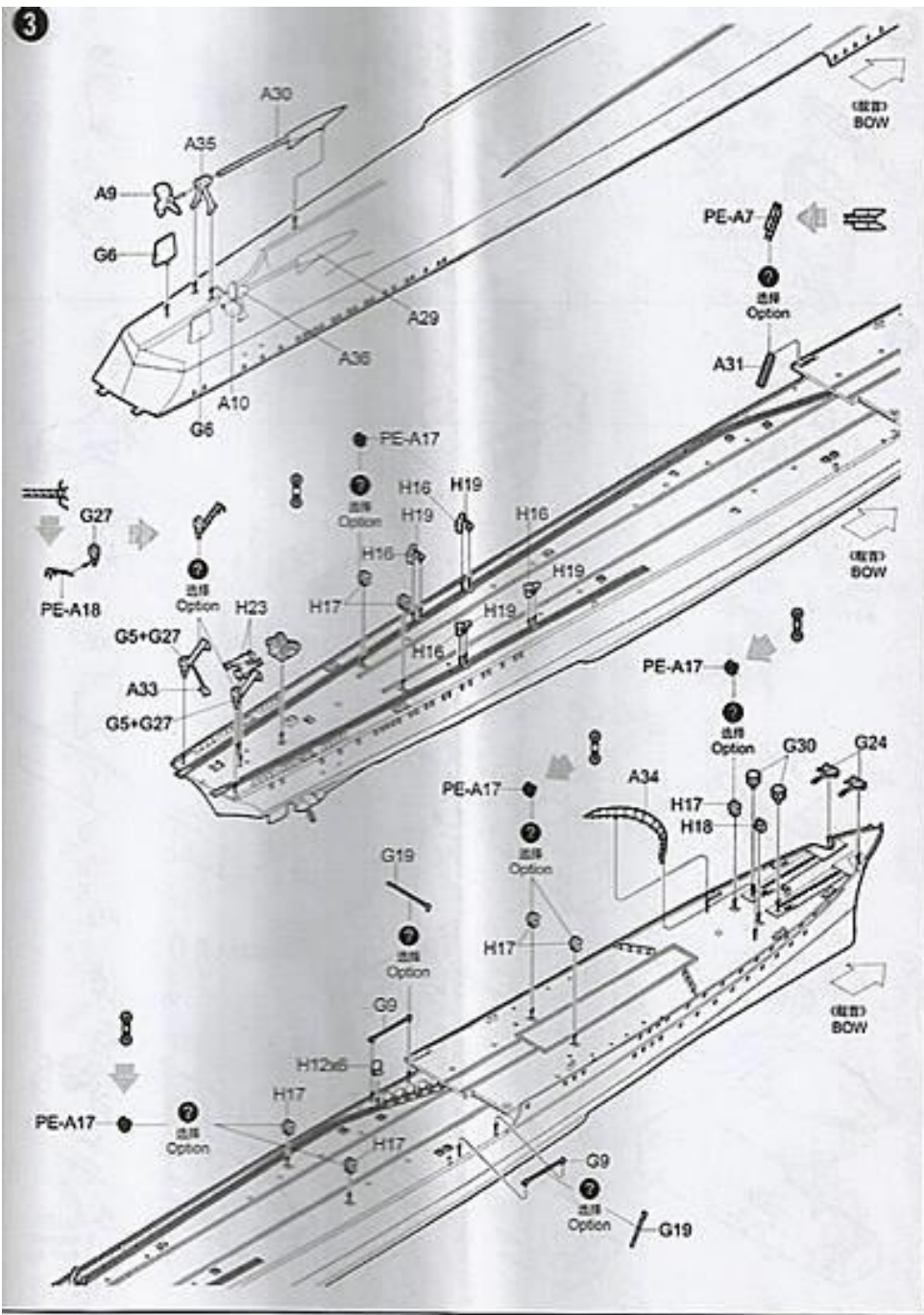
※作組
Make two

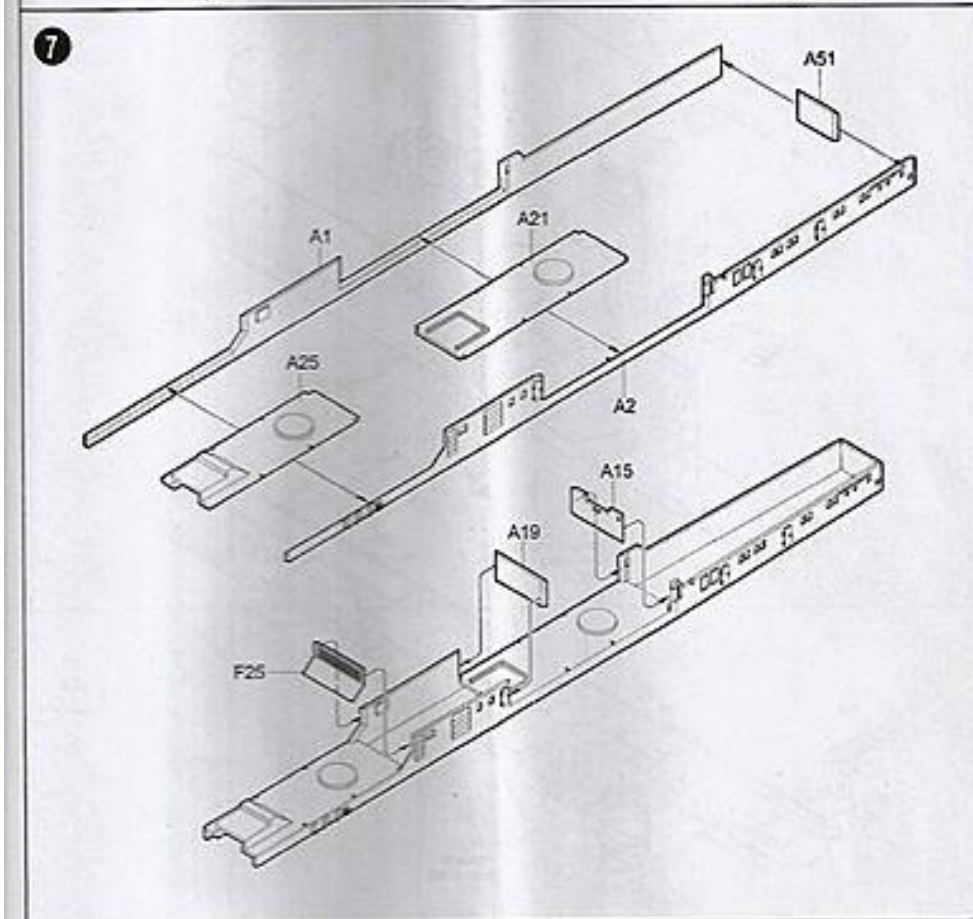
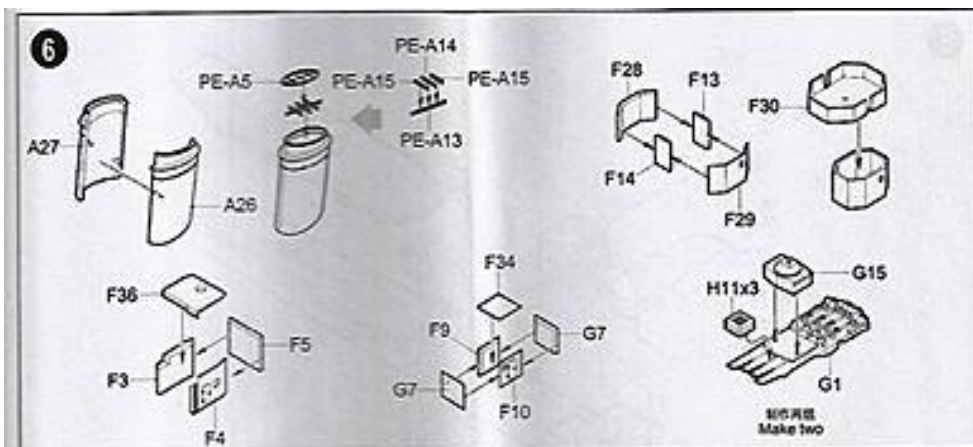
2



05323

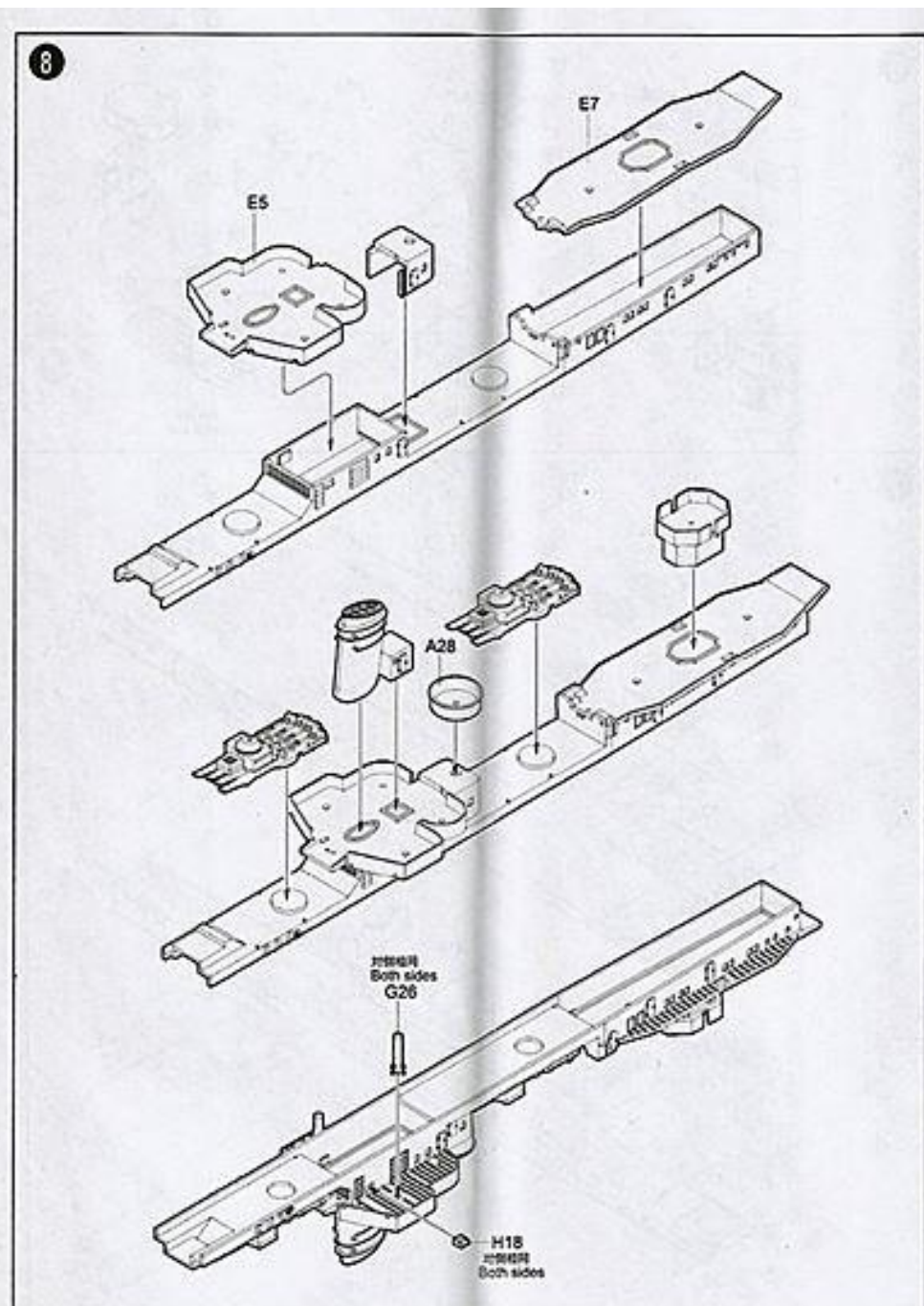
4





05323

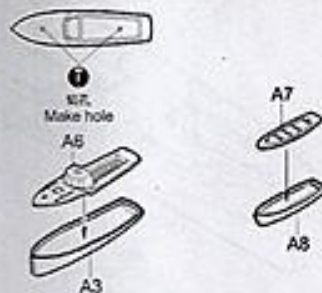
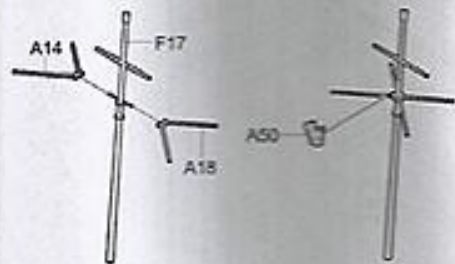
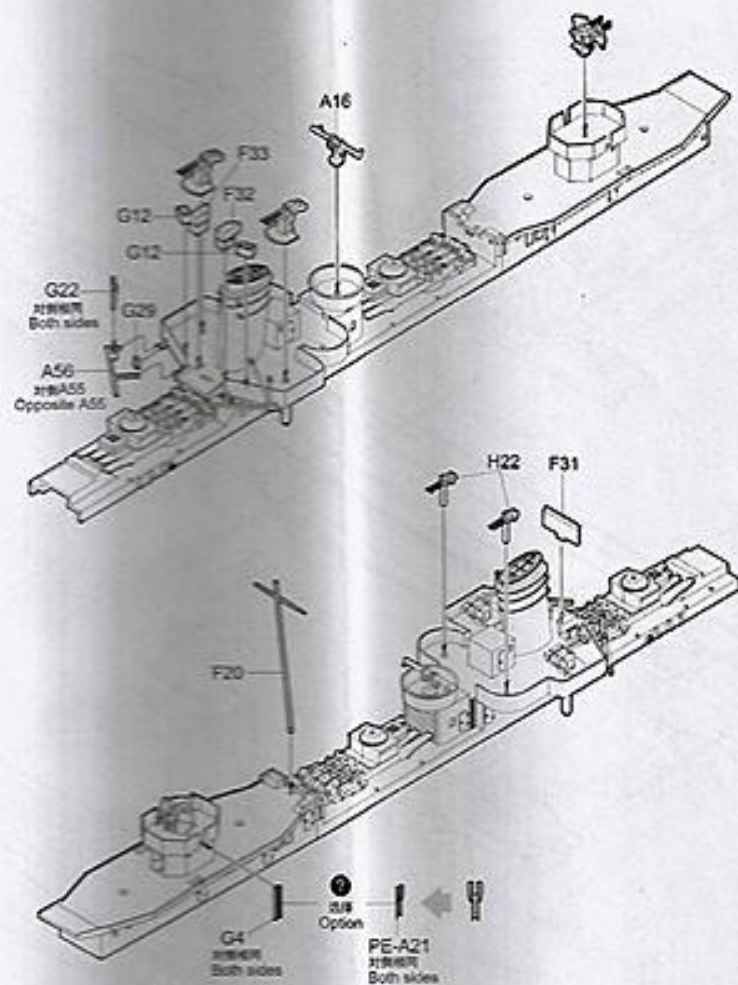
7



05323

8

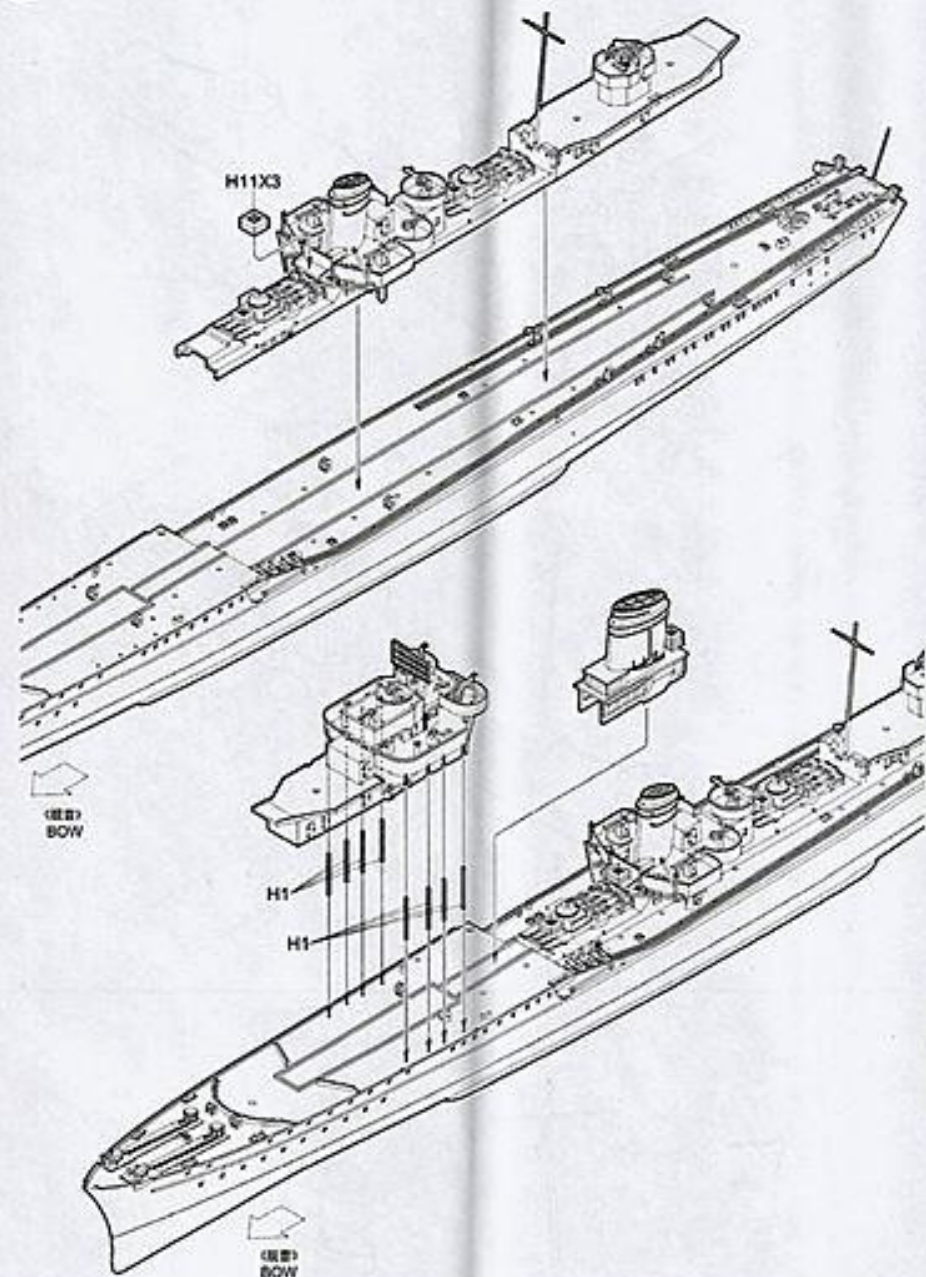
9



05323

9

10

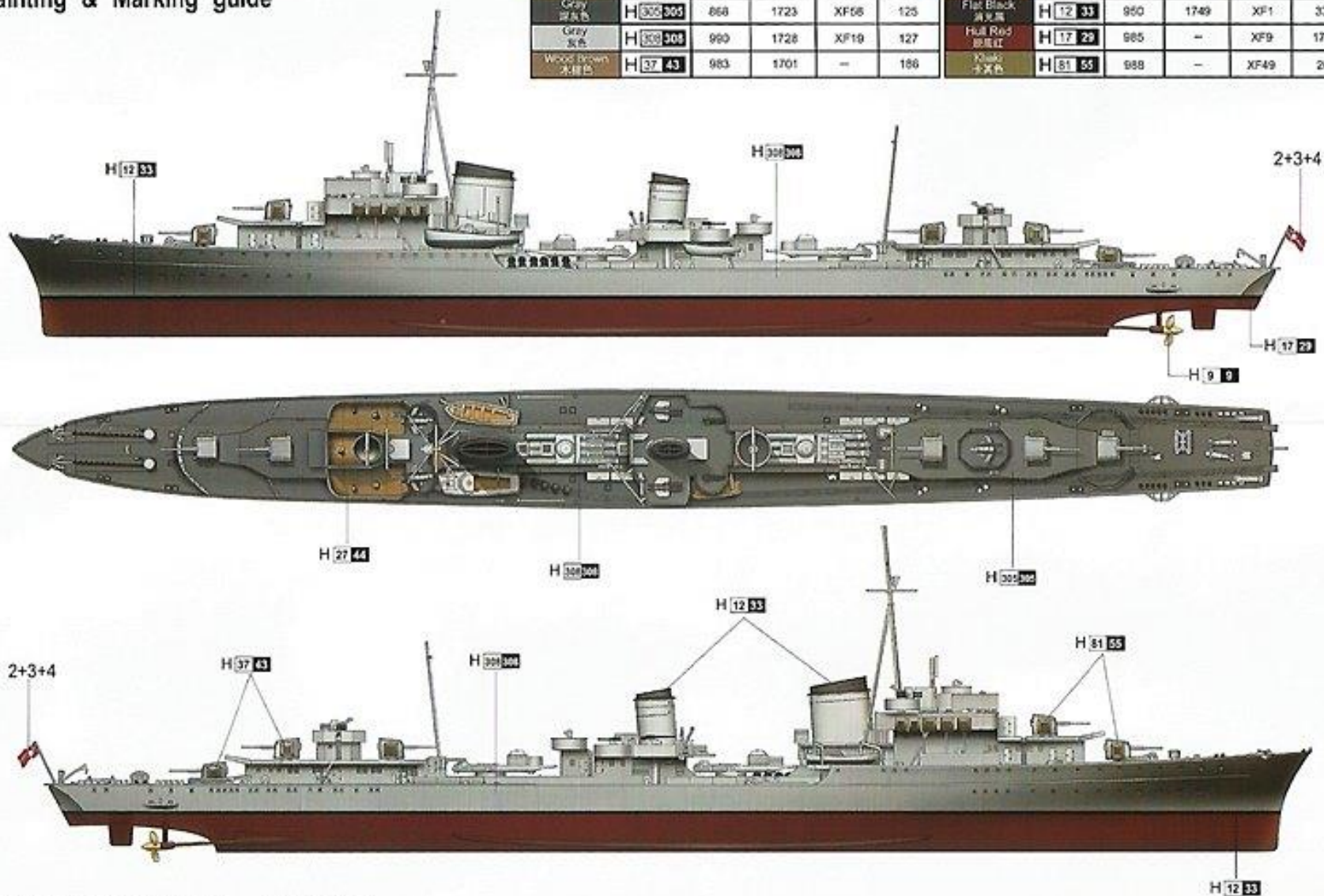


05323

10

涂装同标贴指示
Painting & Marking guide

Color	Mr.Hobby	Vallejo	Model Master	Tamiya	Humbrol	Color	Mr.Hobby	Vallejo	Model Master	Tamiya	Humbrol
Yellow 黄色	H 9 9	878	1744	X12	16	Top 顶面漆	H 27 44	981	-	-	9
Gray 深灰色	H 305 305	868	1723	XF05	125	Flat Black 消光黑	H 12 33	950	1749	XF1	33
Gray 灰色	H 308 308	990	1728	XF19	127	Hull Red 船体红	H 17 29	985	-	XF9	177
Wood Brown 木棕色	H 37 43	983	1701	-	186	Black 黑色	H 81 55	988	-	XF49	25



H AQUEOUS HOBBY COLOR ■ Mr. COLOR

05323 1/350 German Zerstörer Z-43 1944