

1:35 SCALE

ITEM NO.00305

Chinese 152mm Type83 self-propelled gun-howitzer

中国83式152毫米自行榴炮



颜色指示 COLOR

1-白色	White	14-深蓝色	Navy blue	43-木棕色	Wood brown
2-黑色	Black	23-墨绿色	Dark green	61-烧铁色	Burnt iron
3-红色	Red	25-灰银色	Dark seagray	62-消光白	Flat white
6-绿色	Green	28-黑铁色	Steel	90-铬银色	Shine silver
8-银色	Silver	33-消光黑	Flat black	133-土黄色	Earth
				135-苏式绿	Russian green



cyanoacrylate glue
使用强力胶



weight
配重



make hole
钻孔



cut / remove
切除



bend
弯曲



file / sand
锉平



option
选择



no cement
不涂胶水



decal
贴纸

水贴纸的使用:

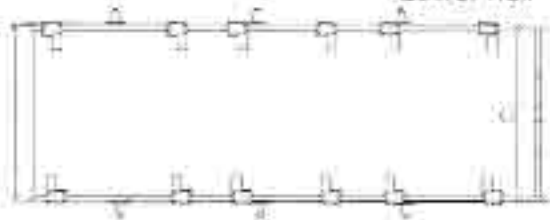
1. 从水贴上剪下印花;
2. 将印花放入温水中浸10秒, 然后放在干净布上。
3. 拿着印花纸板将印花移到模型上;
4. 手指蘸水将印花移到适当的位置;
5. 用软布轻压印花直至水干, 汽泡消失。

DECAL APPLICATION

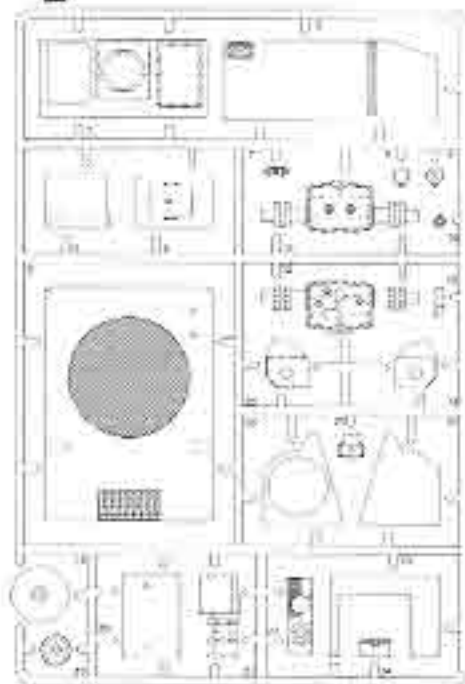
1. Cut off decal from sheet.
2. Dip the decal in tepid water 40°C for about 10 sec. and place on a clean cloth.
3. Hold the backing sheet edge and slide decal onto the model.
4. Move decal into position by wetting decal with finger.
5. Press decal gently down with a soft cloth until excess water and air bubbles are gone.

部品图 Parts

车底
Lower hull



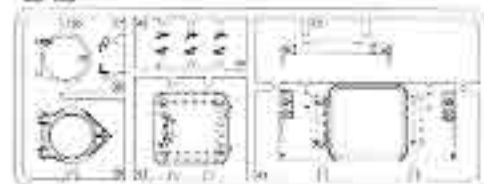
B



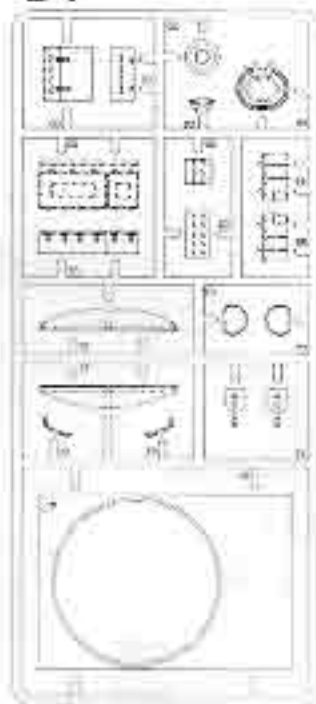
D1



D2



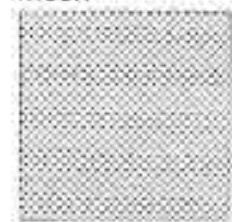
D4



U2



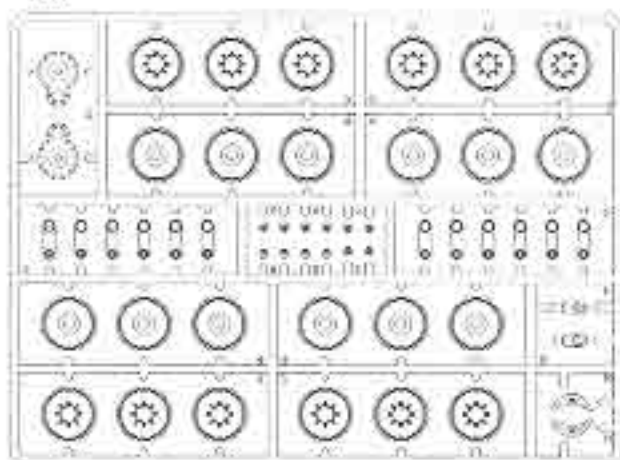
丝网
Mesh



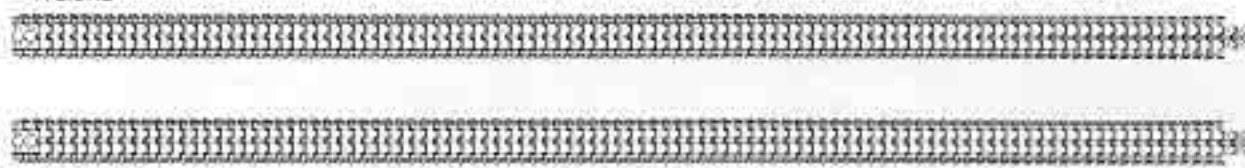
透明件
Transparent part



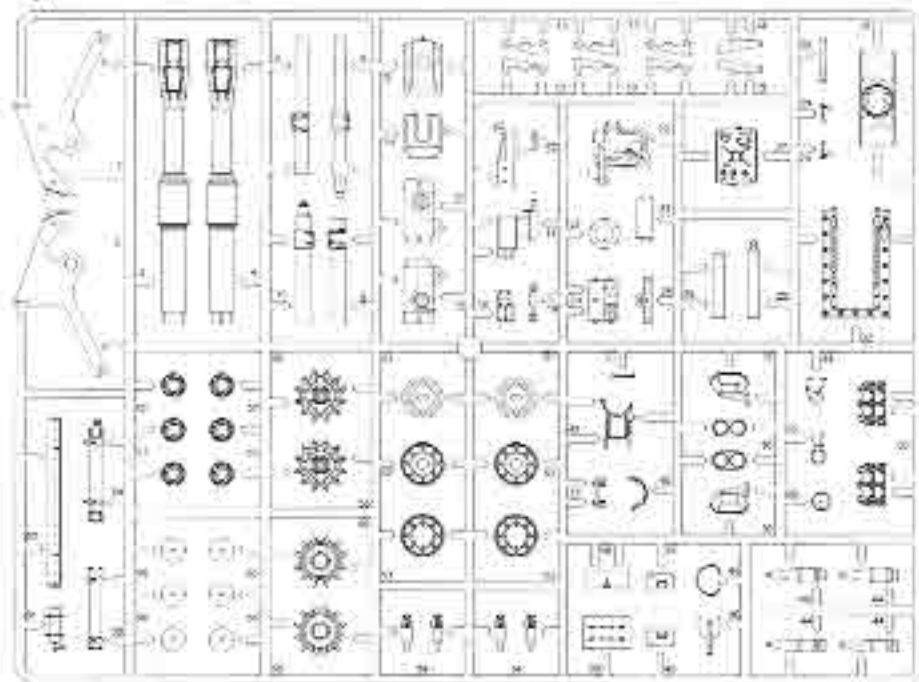
A



履带
Tracks



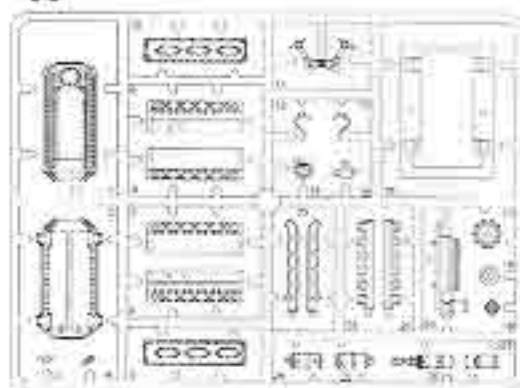
E



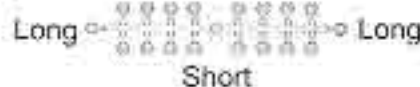
车面
Upper hull



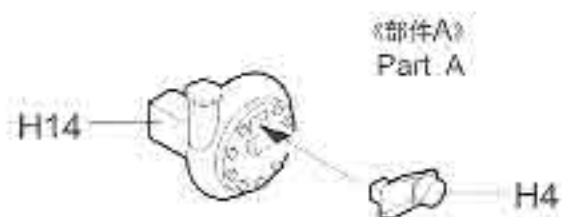
H



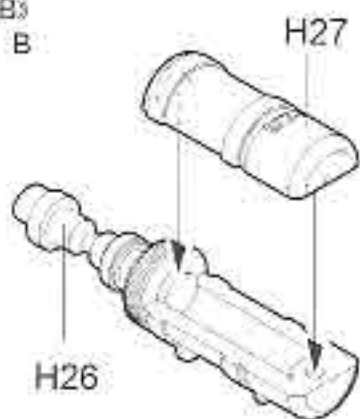
聚乙烯套
Poly cap



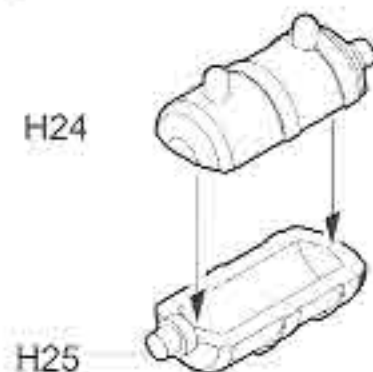
1 发动机零件组装
Engine parts assembly



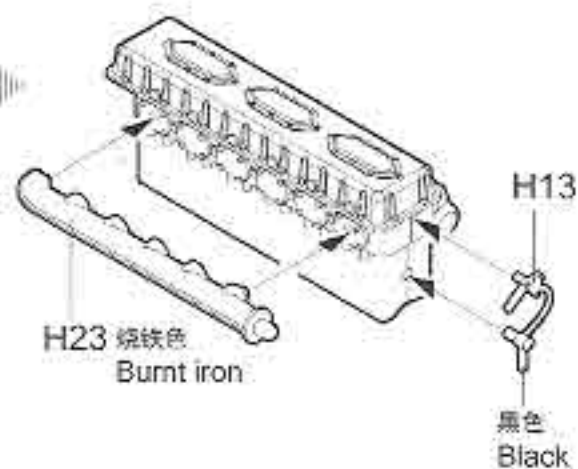
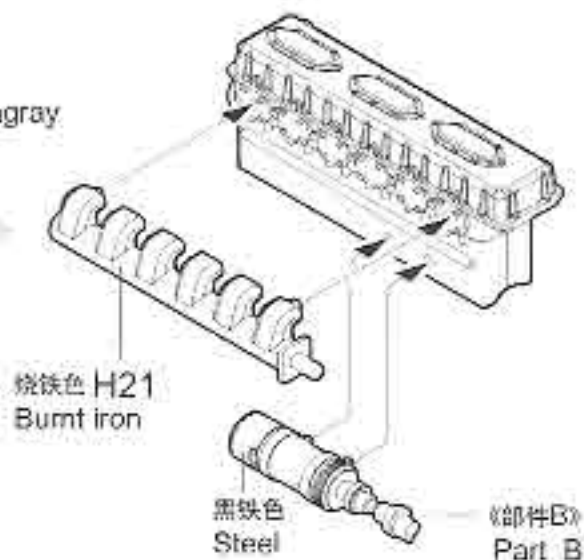
《部件B》 Part B



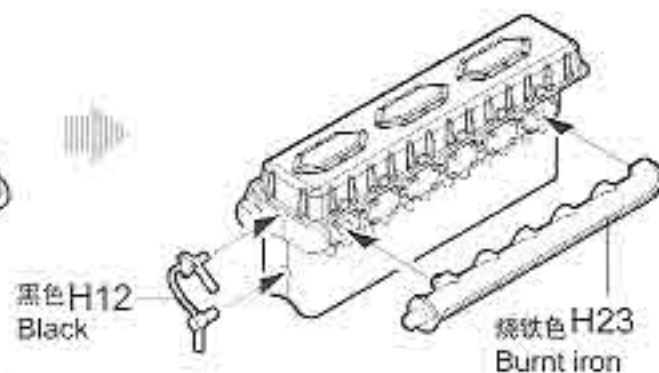
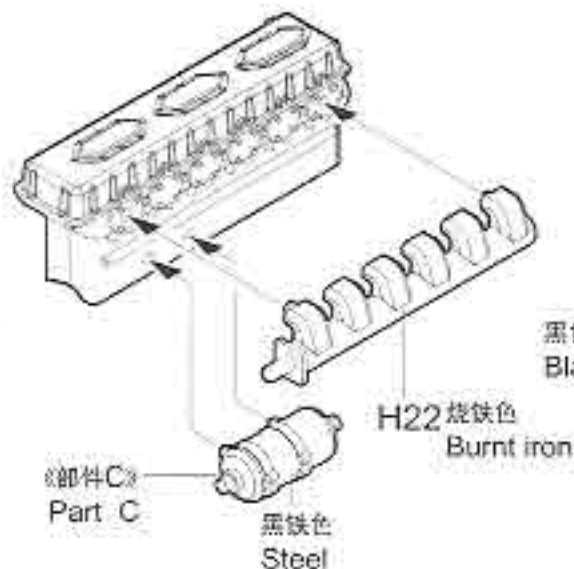
《部件C》 Part C



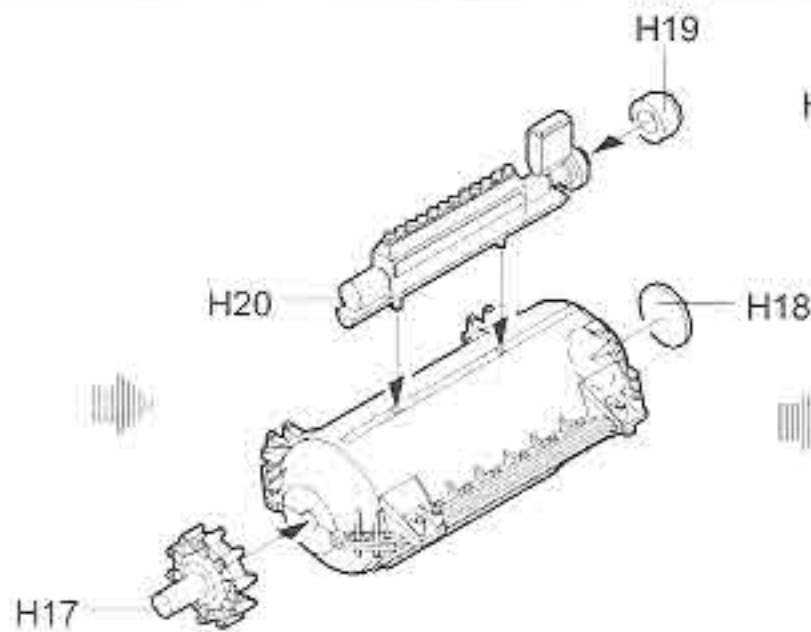
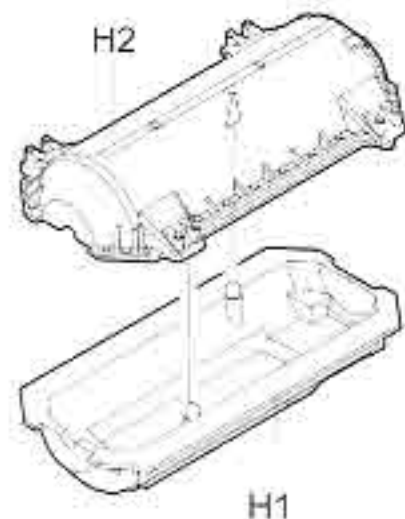
2 左汽缸组装
Left cylinder assembly



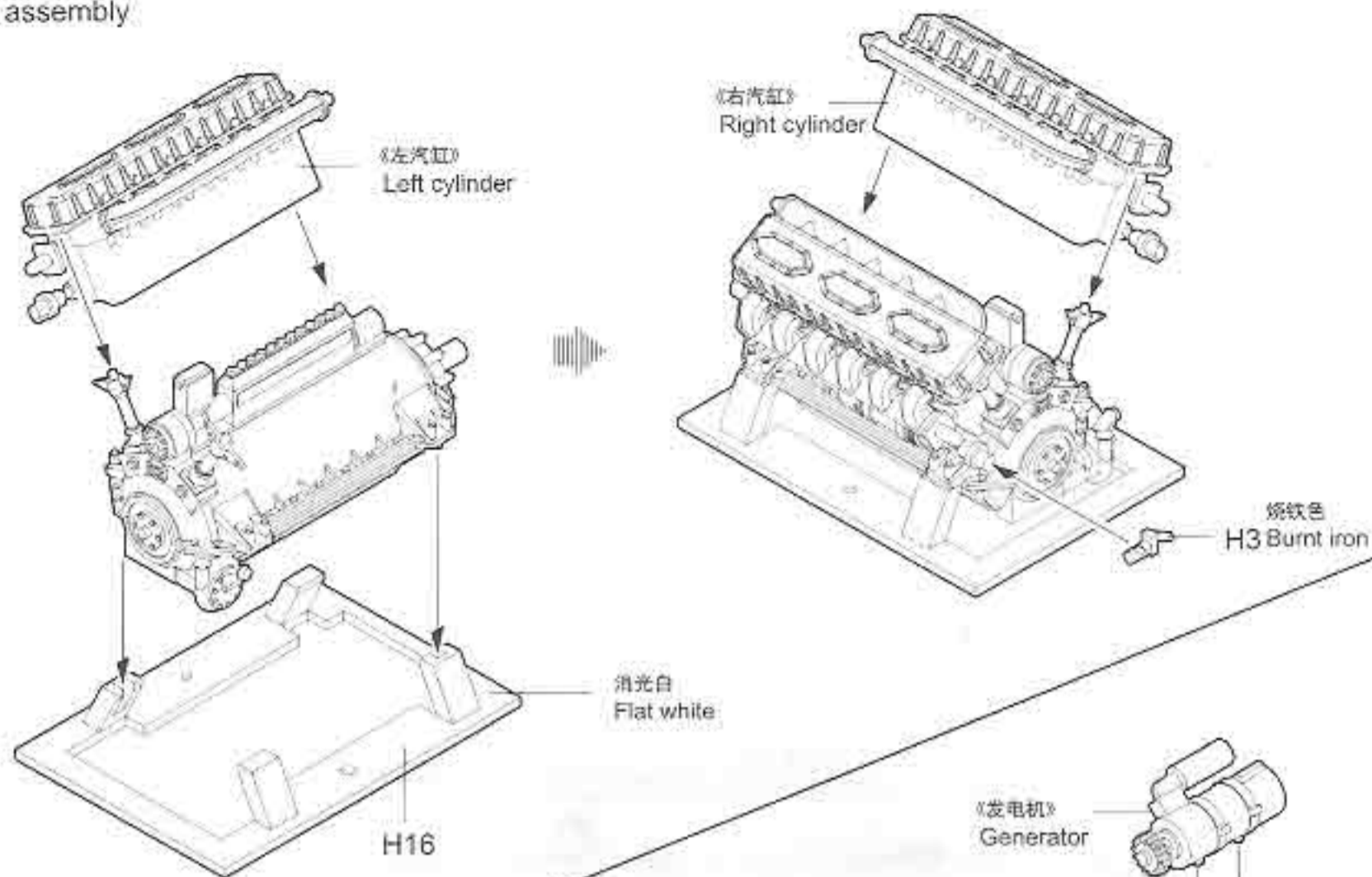
3 右汽缸组装
Right cylinder assembly



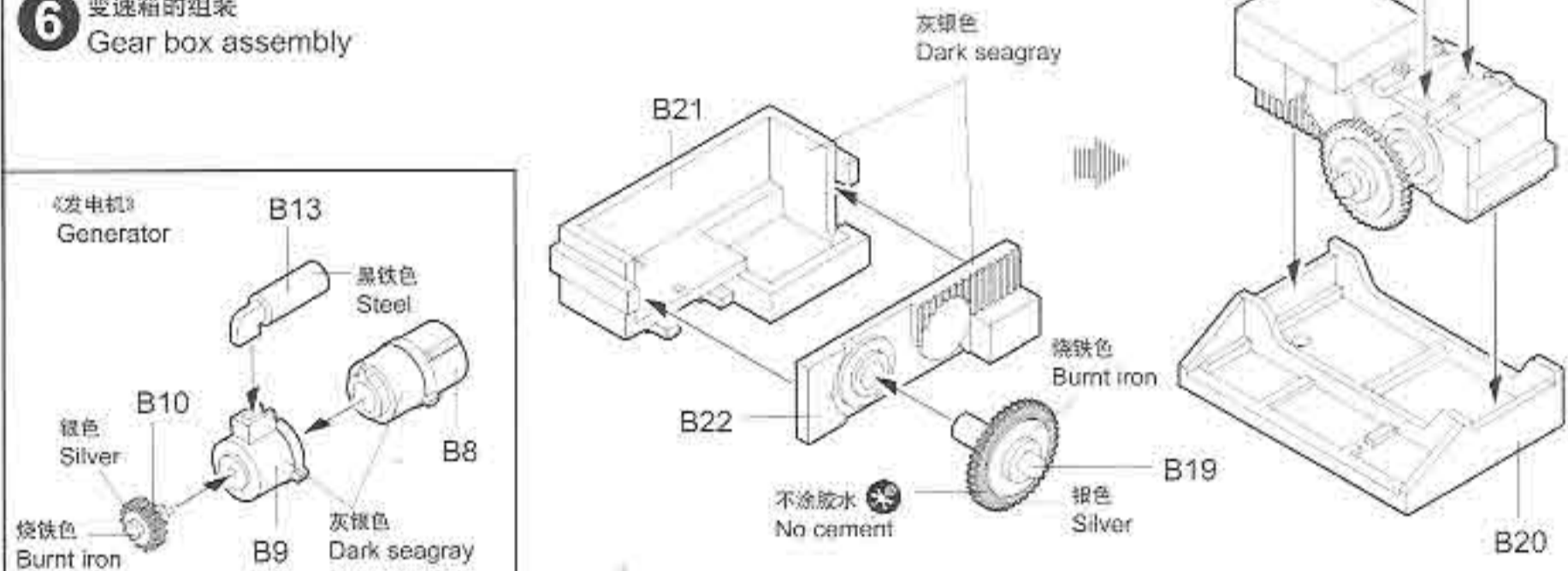
4 发动机组装 I
Engine assembly I



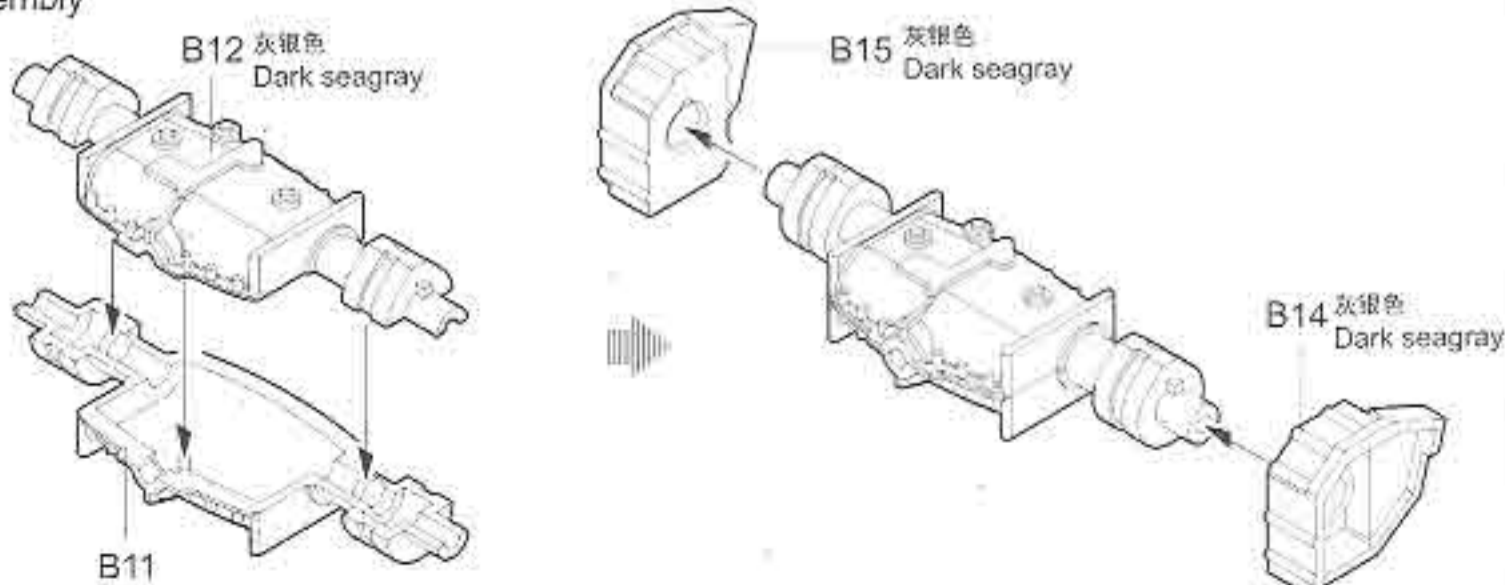
5 发动机的组装
Engine assembly



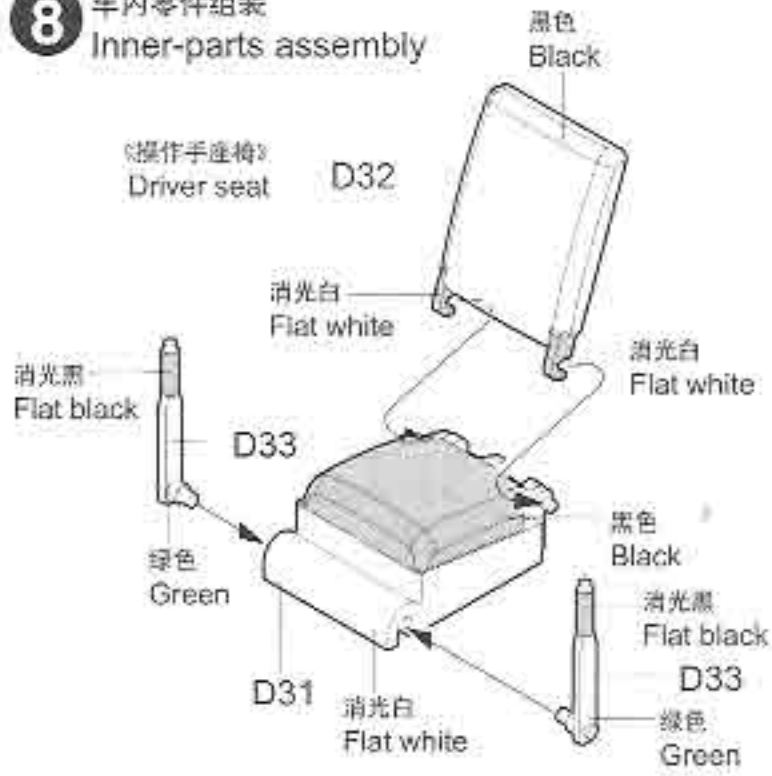
6 变速箱的组装
Gear box assembly



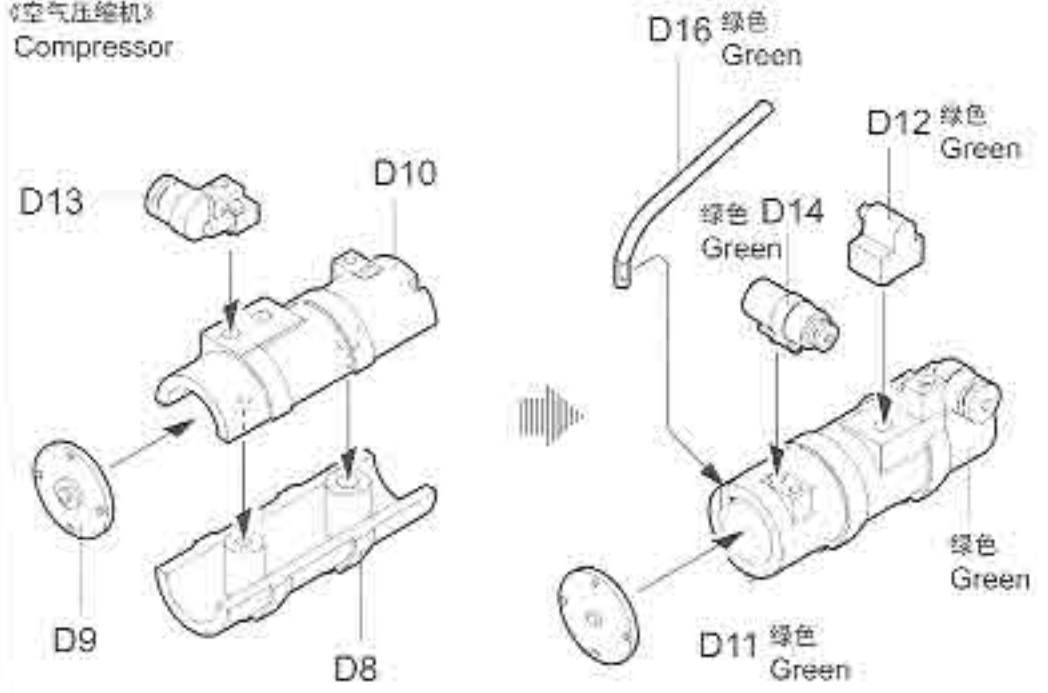
7 差速器的组装
Transmission assembly



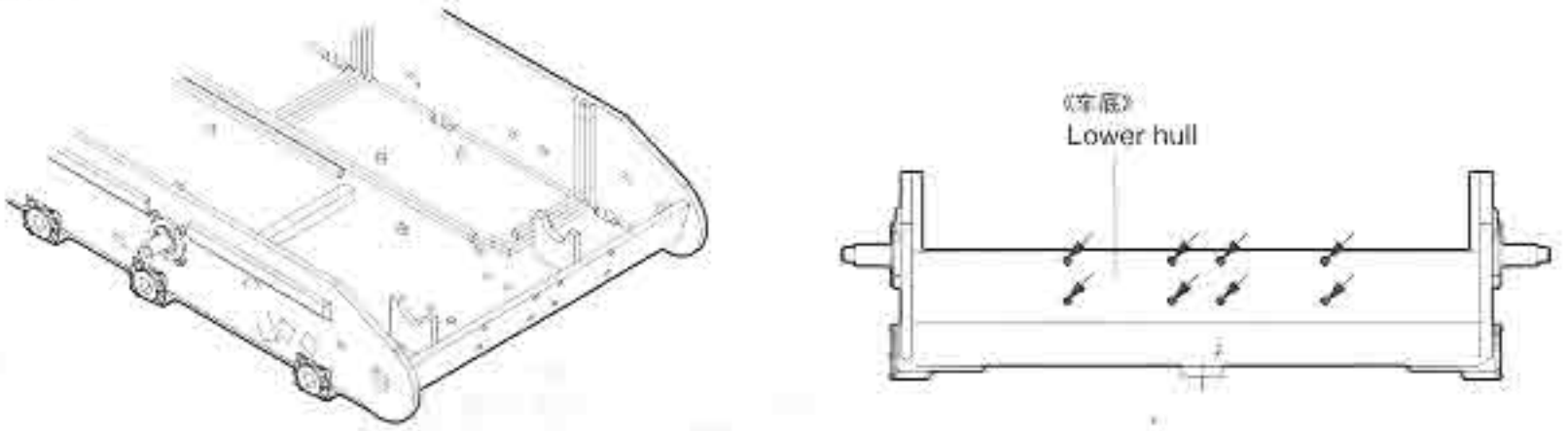
8 车内零件组装
Inner-parts assembly



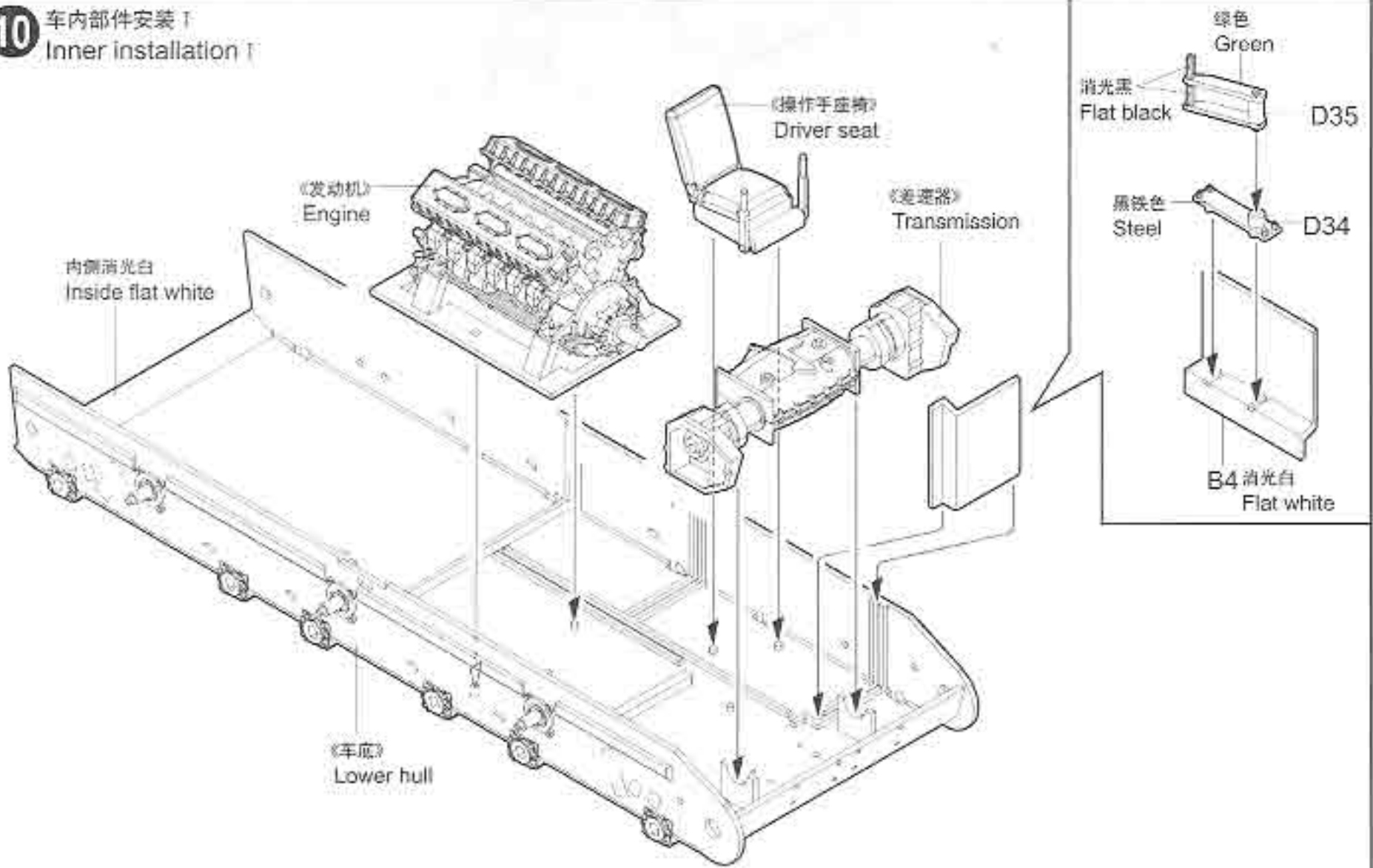
《空气压缩机》
Compressor



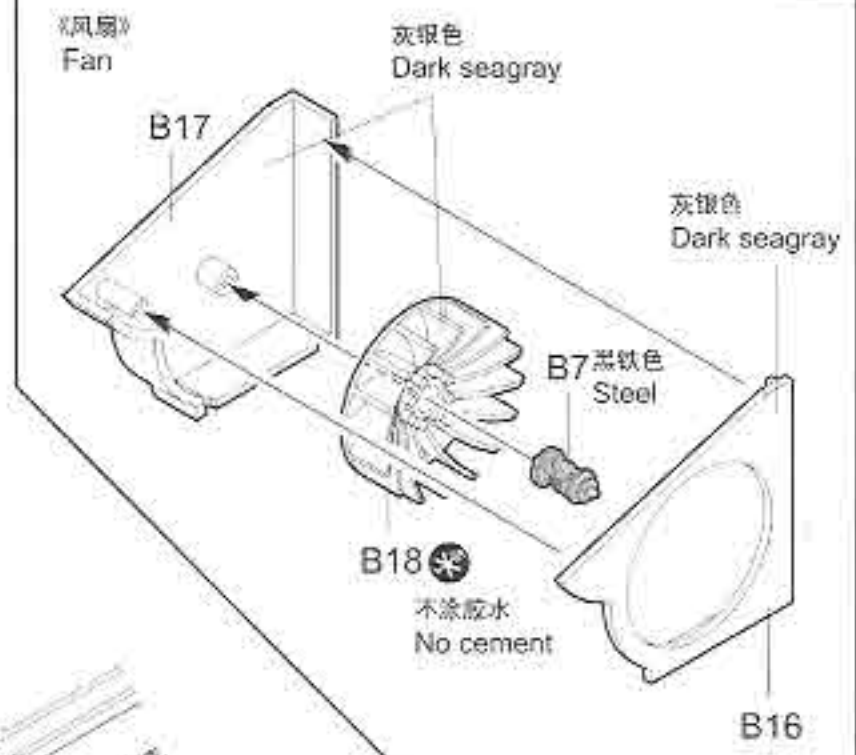
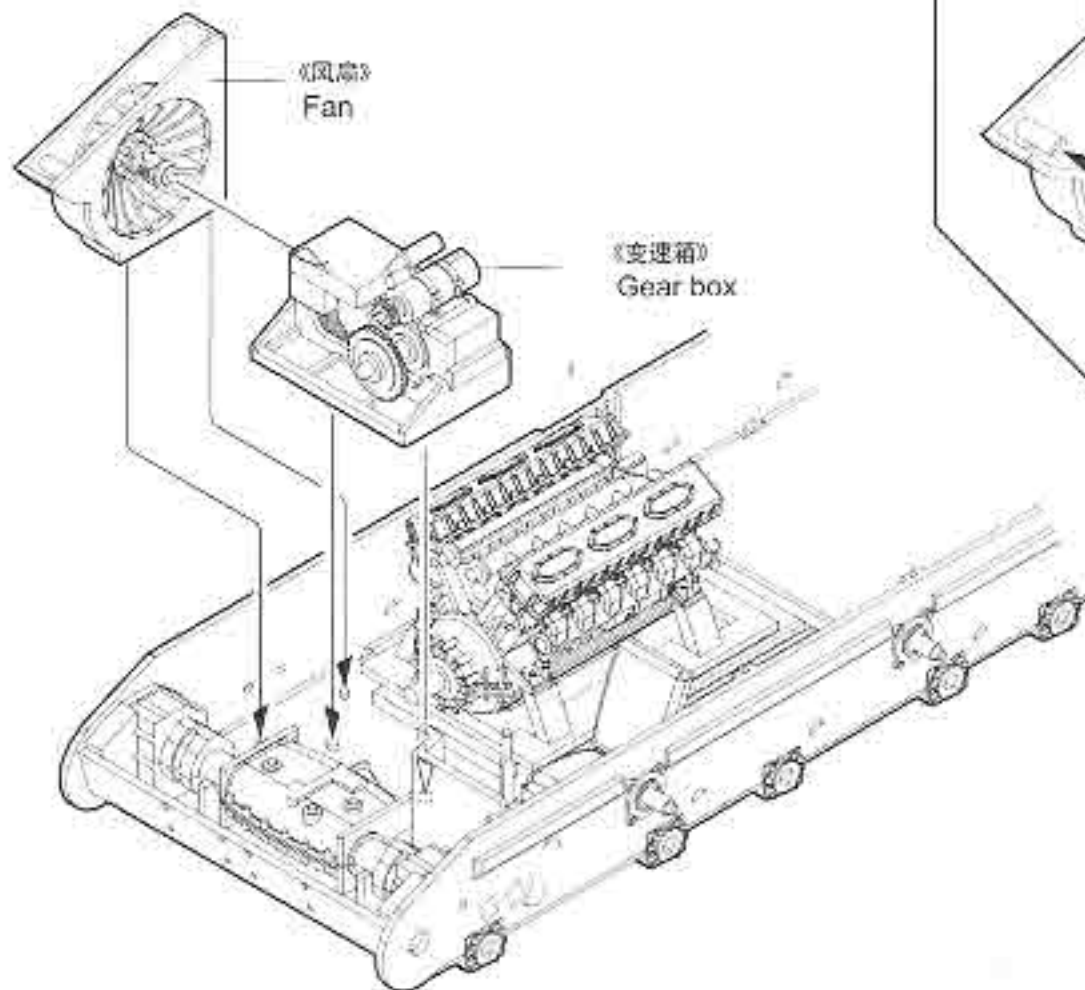
9 钻穿图中涂黑的孔位
Make holes



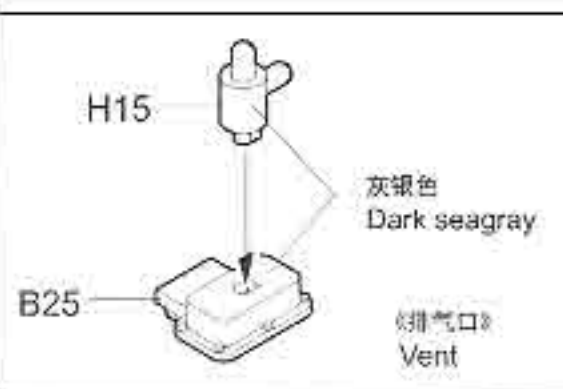
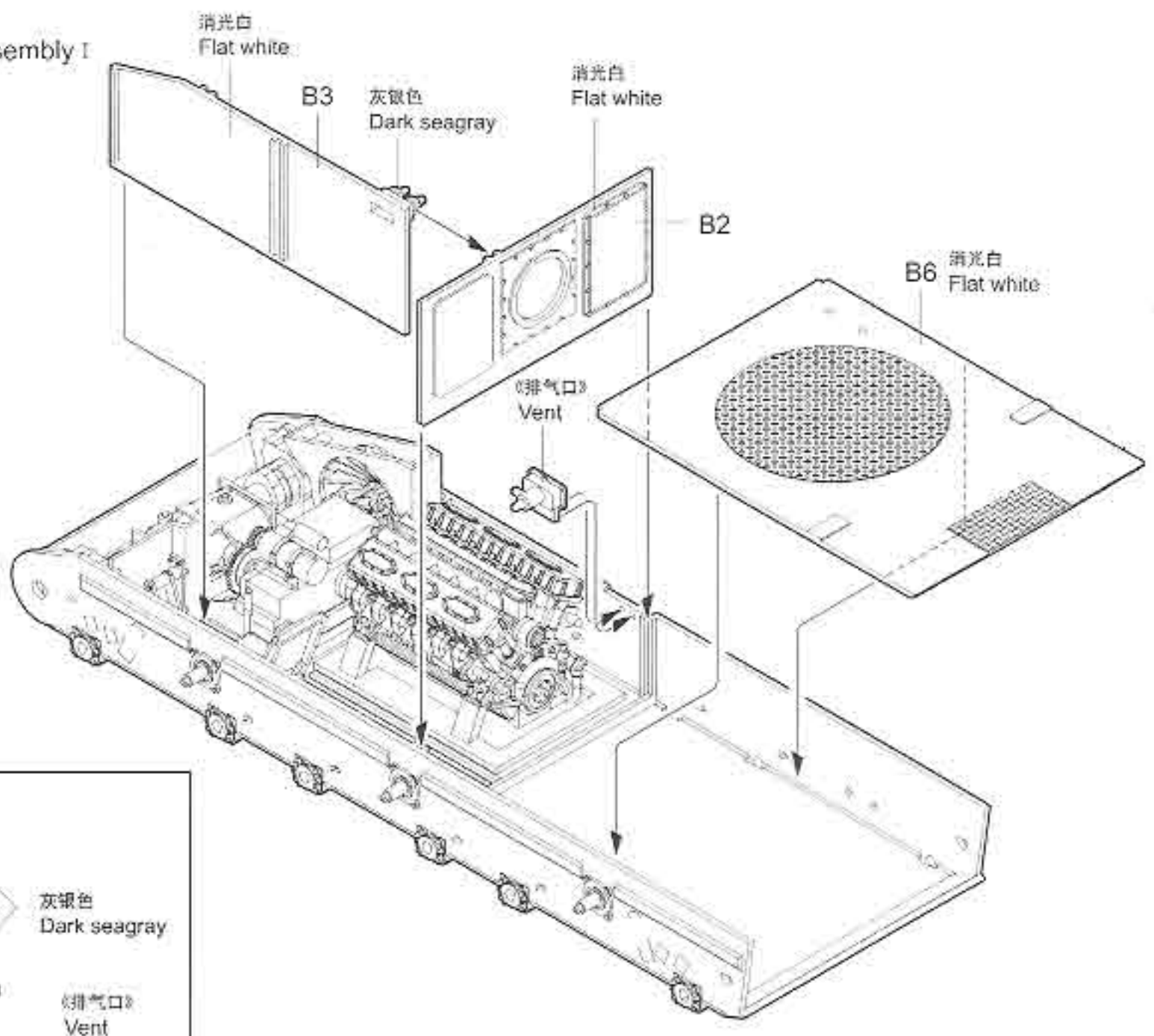
10 车内部件安装 I
Inner installation I



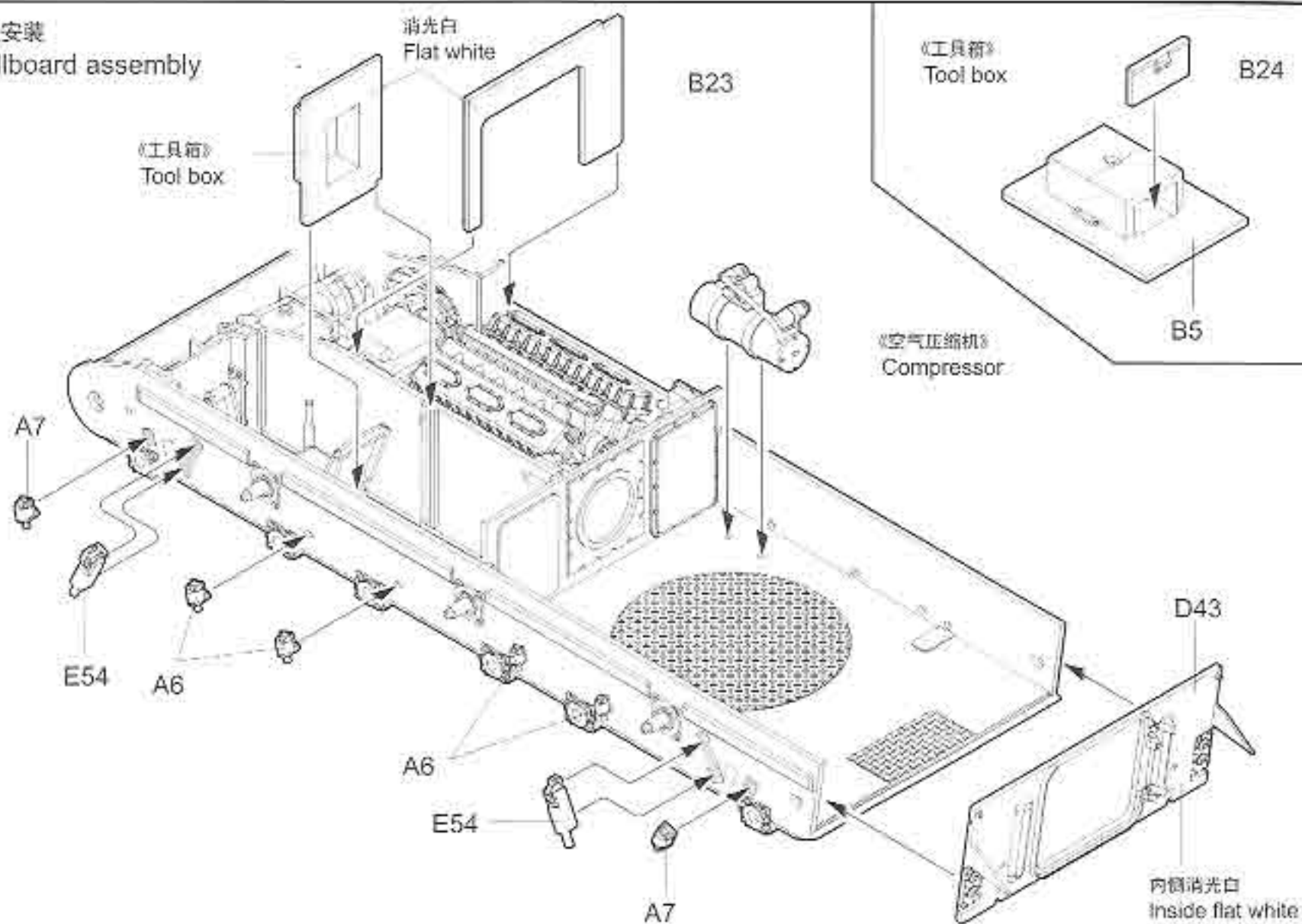
11 车内部件安装 II
Inner installation II



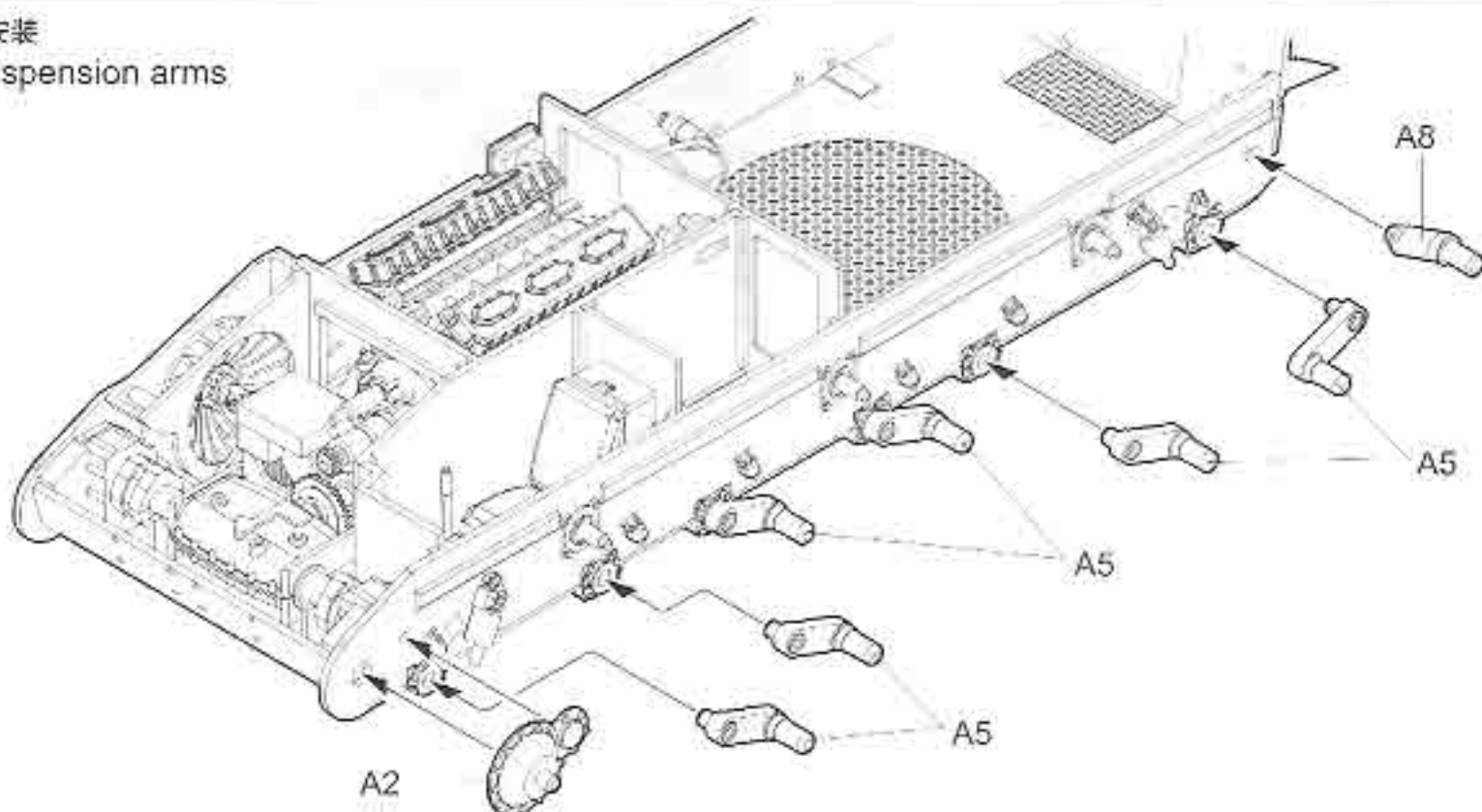
12 隔板安装 I
Wallboard assembly I



13 隔板安装
Wallboard assembly

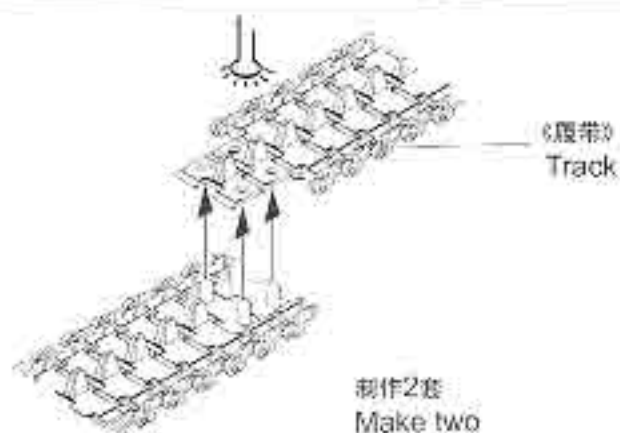


14 左悬臂安装
Left suspension arms

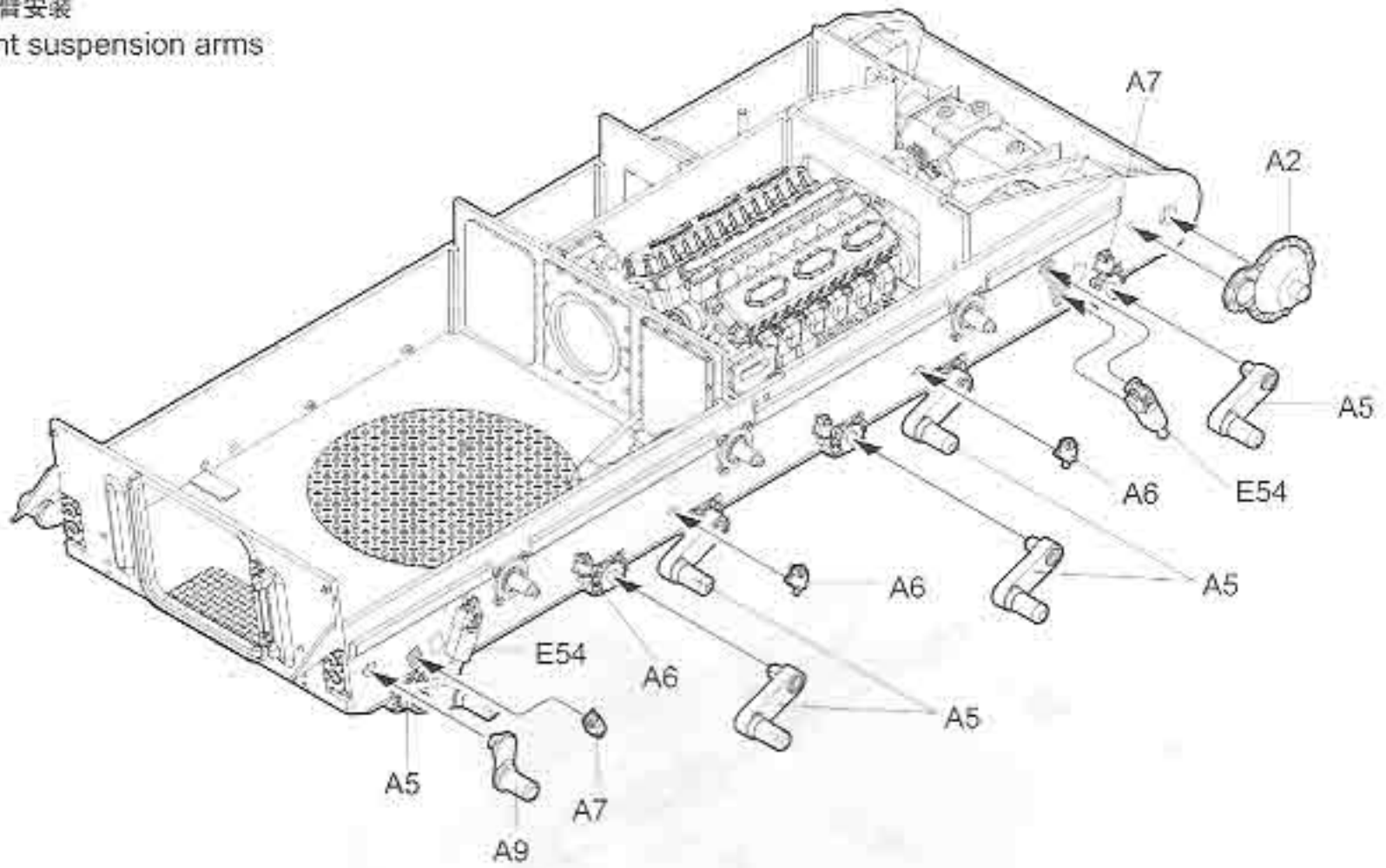


履带联接
Track construction

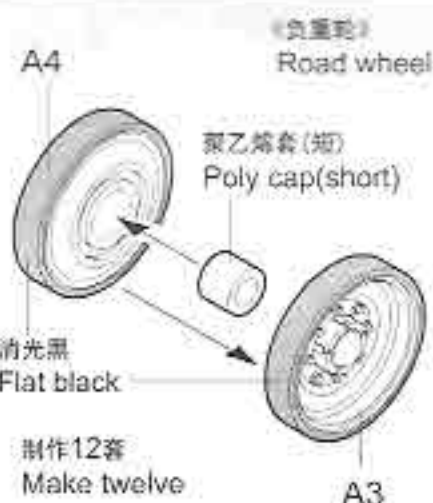
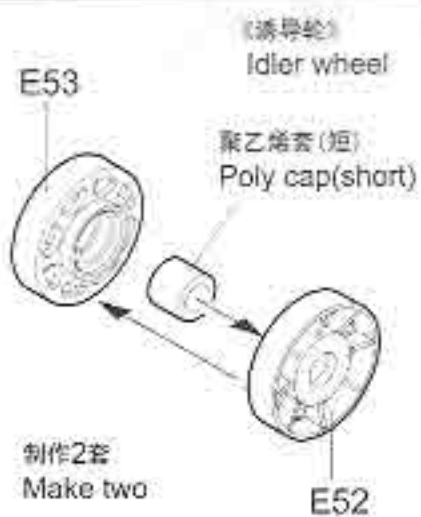
定位好履带后加热软化接头并压紧；
如果履带断裂，用细钢丝连接固定。
Melt pin heads carefully with a heated nail ect.
Immediately press pin heads with your finger;
If track is broken strengthen with staples or thread.



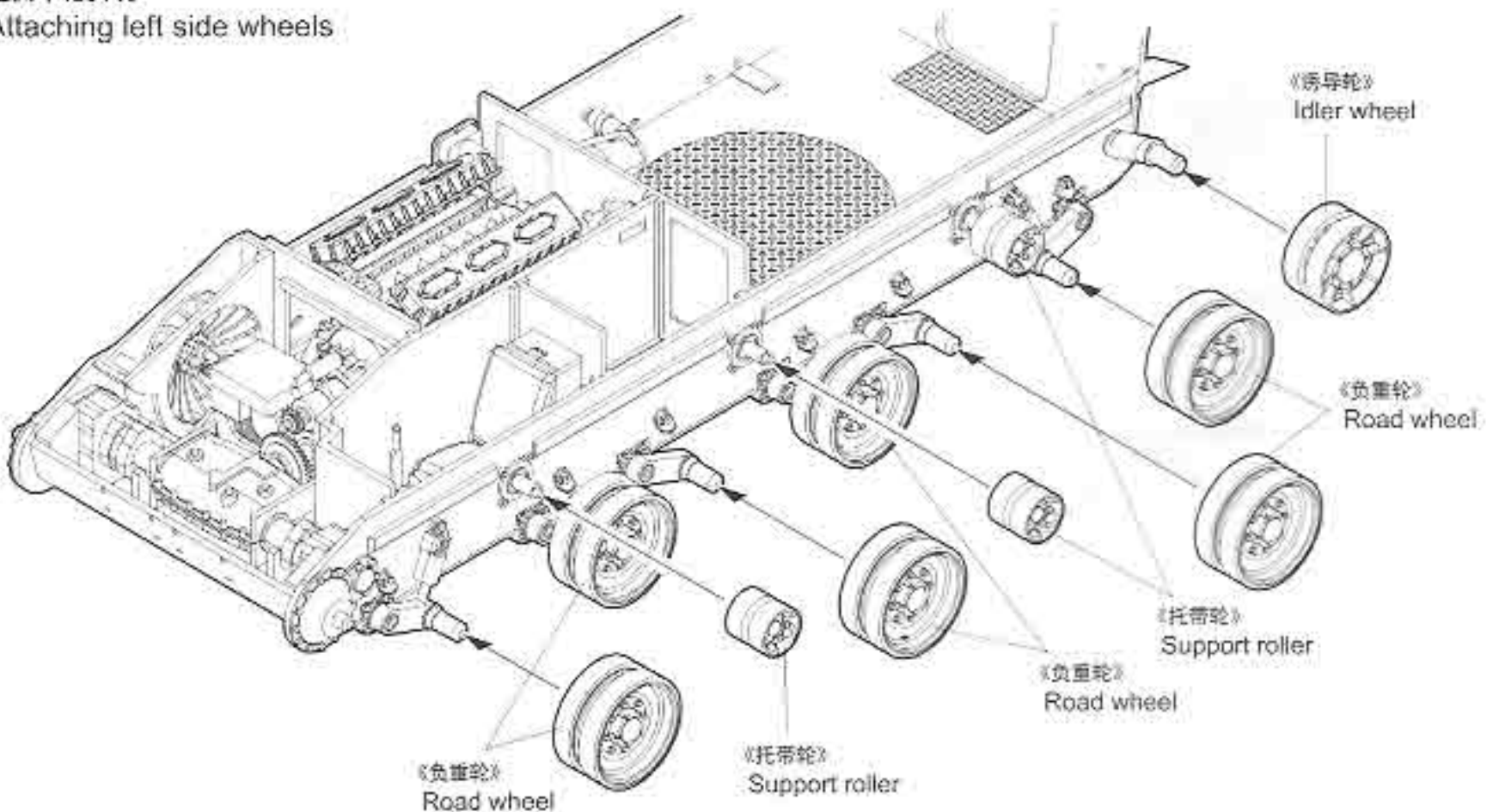
15 右悬臂安装
Right suspension arms



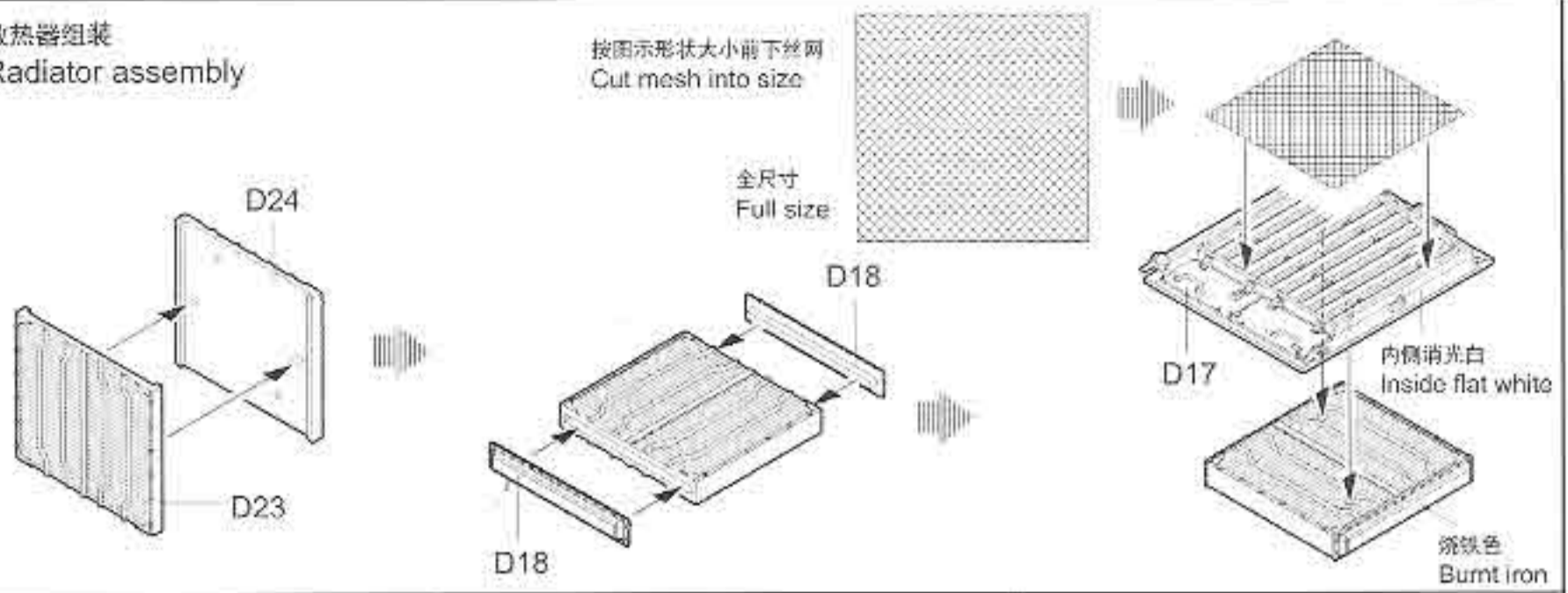
16 车轮组装
Wheels assembly



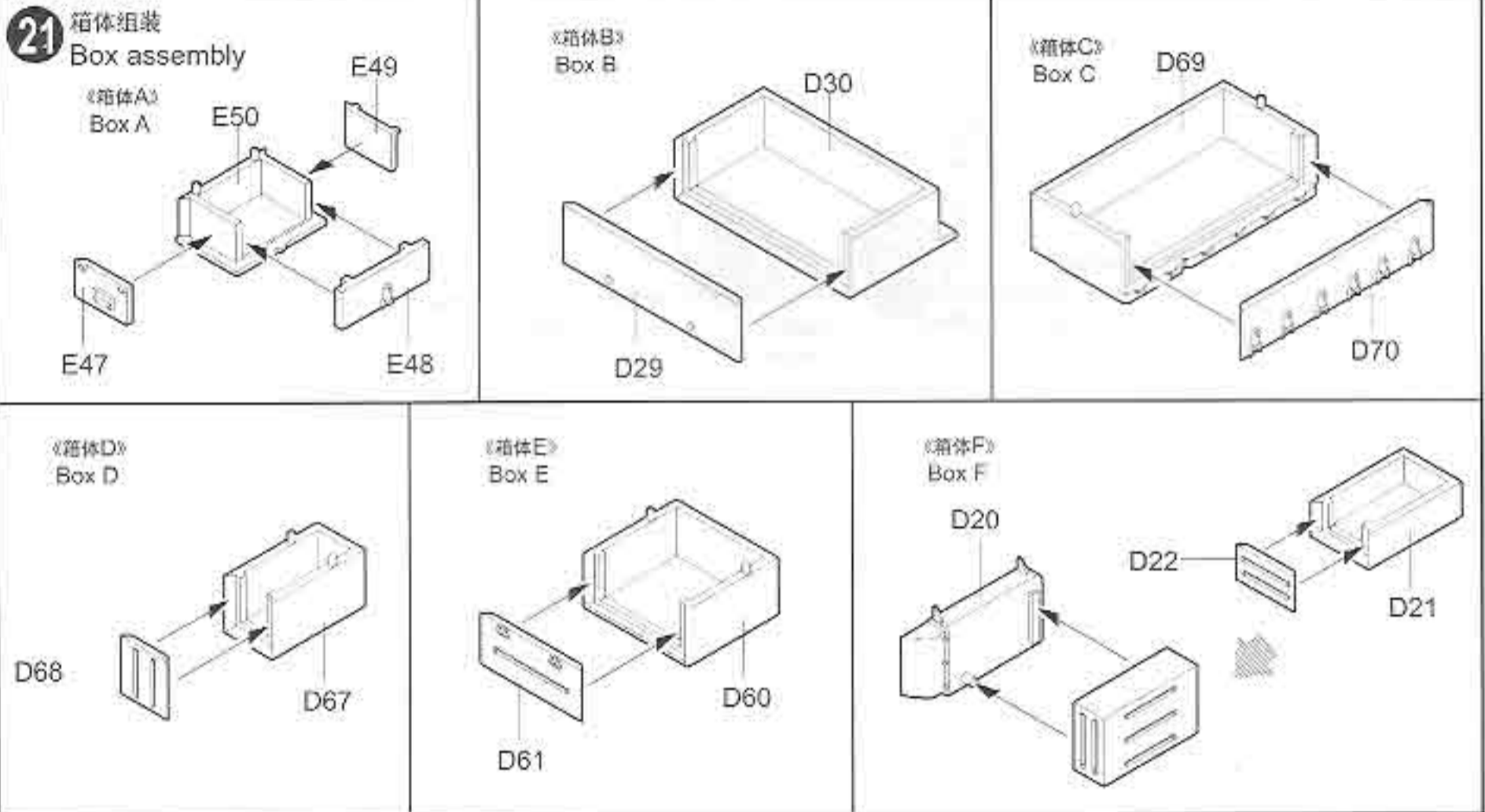
17 左侧车轮安装
Attaching left side wheels



20 散热器组装
Radiator assembly



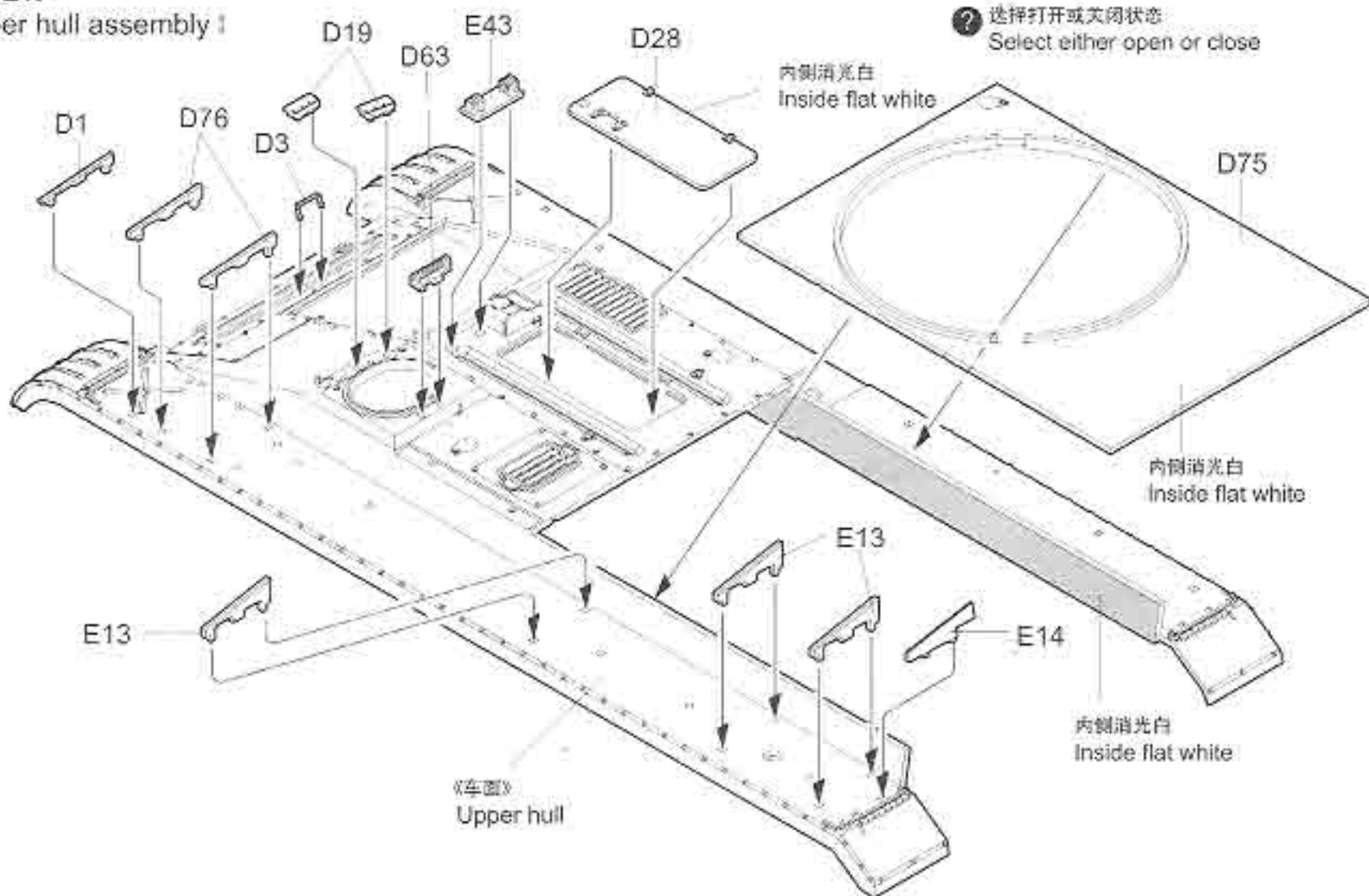
21 箱体组装
Box assembly



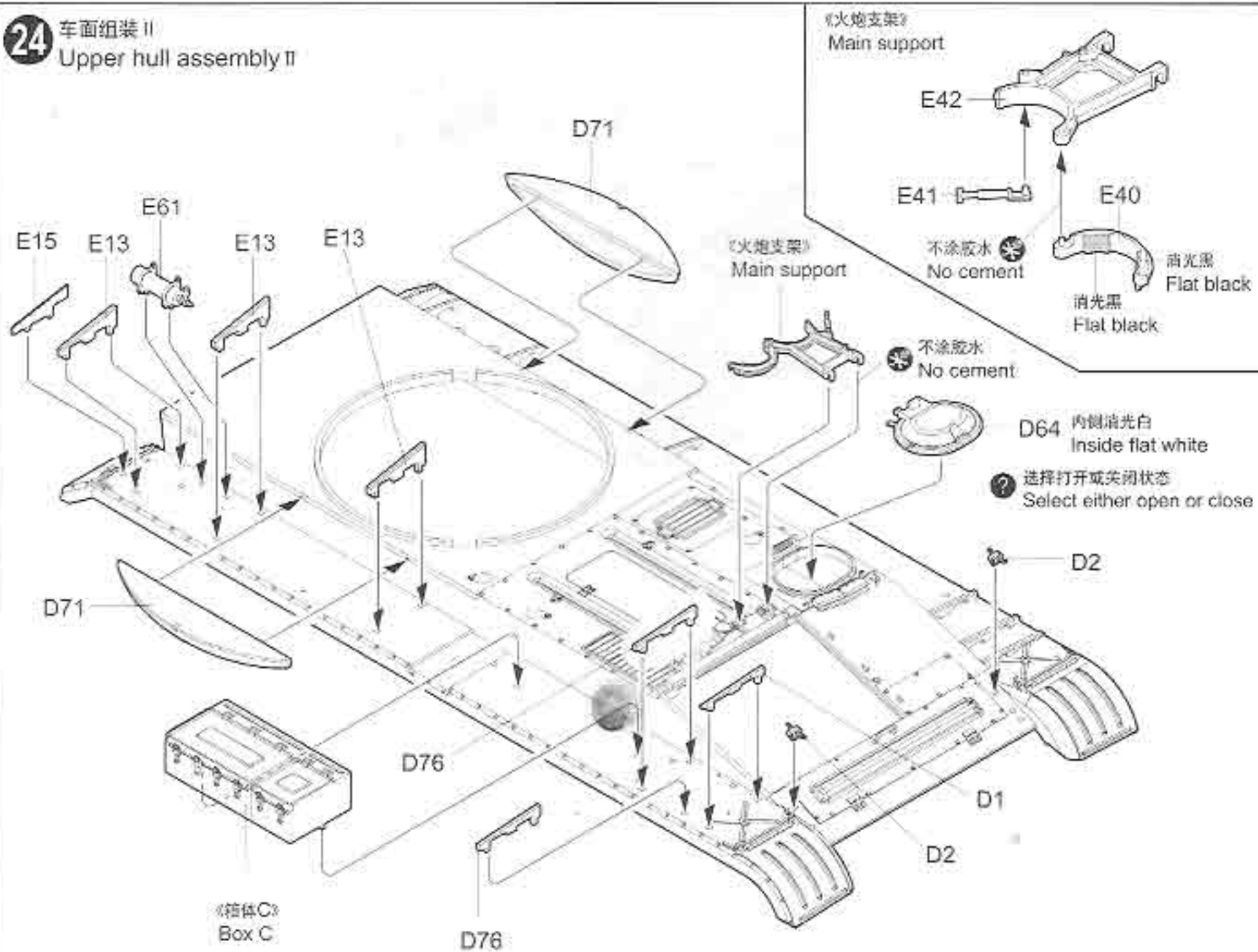
22 钻穿涂黑孔
Make holes



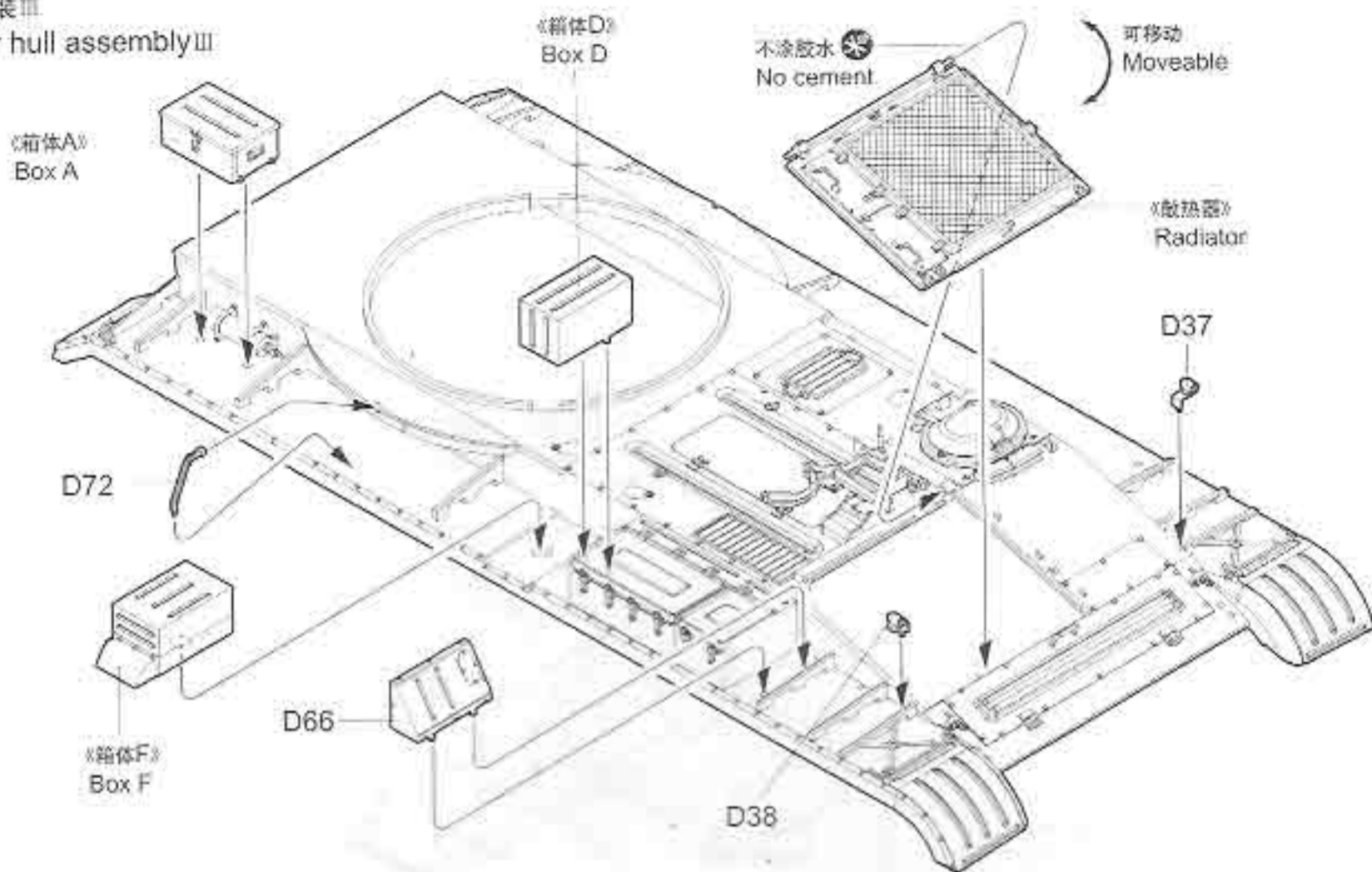
23 车面组装 I
Upper hull assembly I



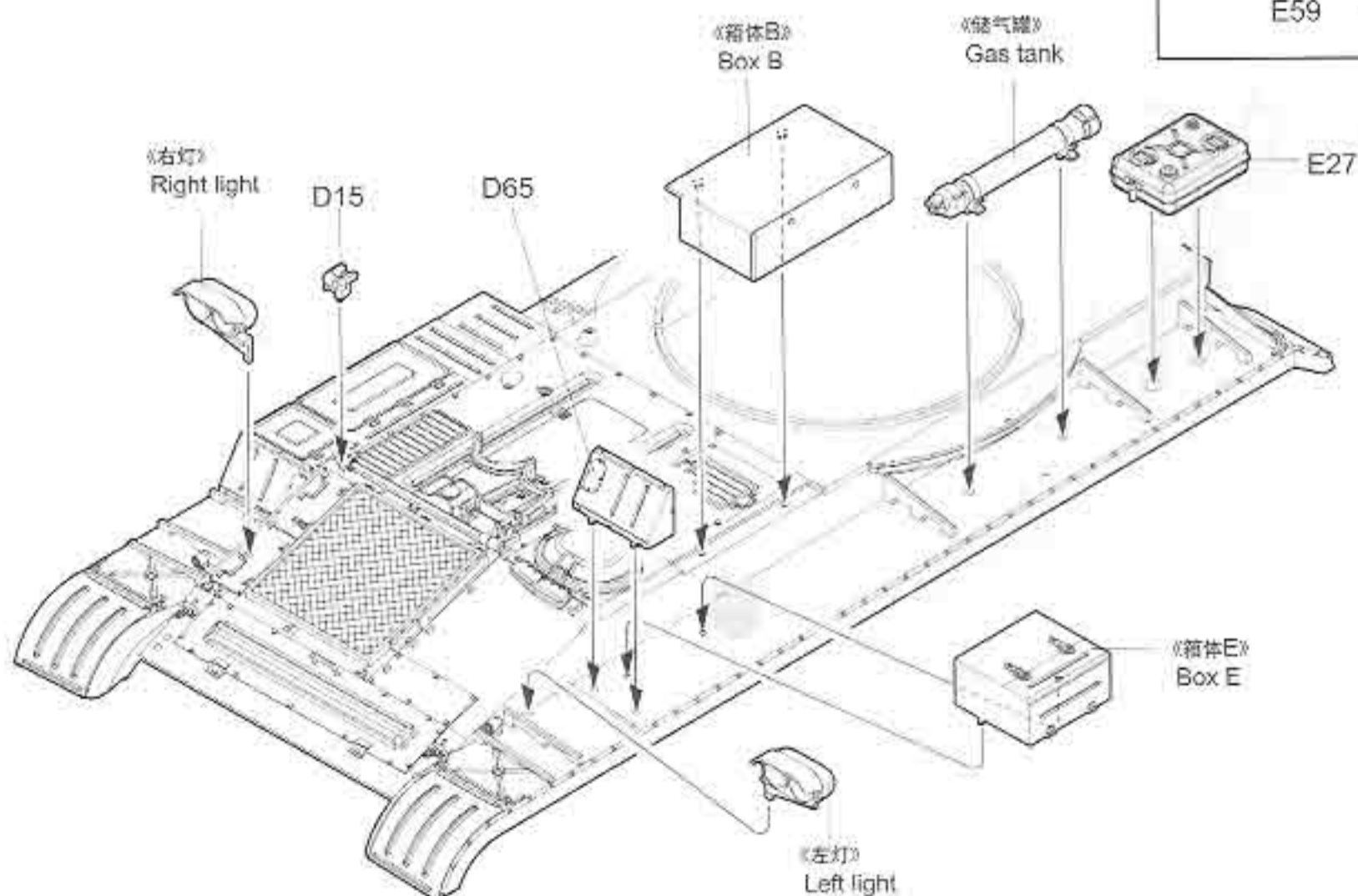
24 车面组装 II
Upper hull assembly II



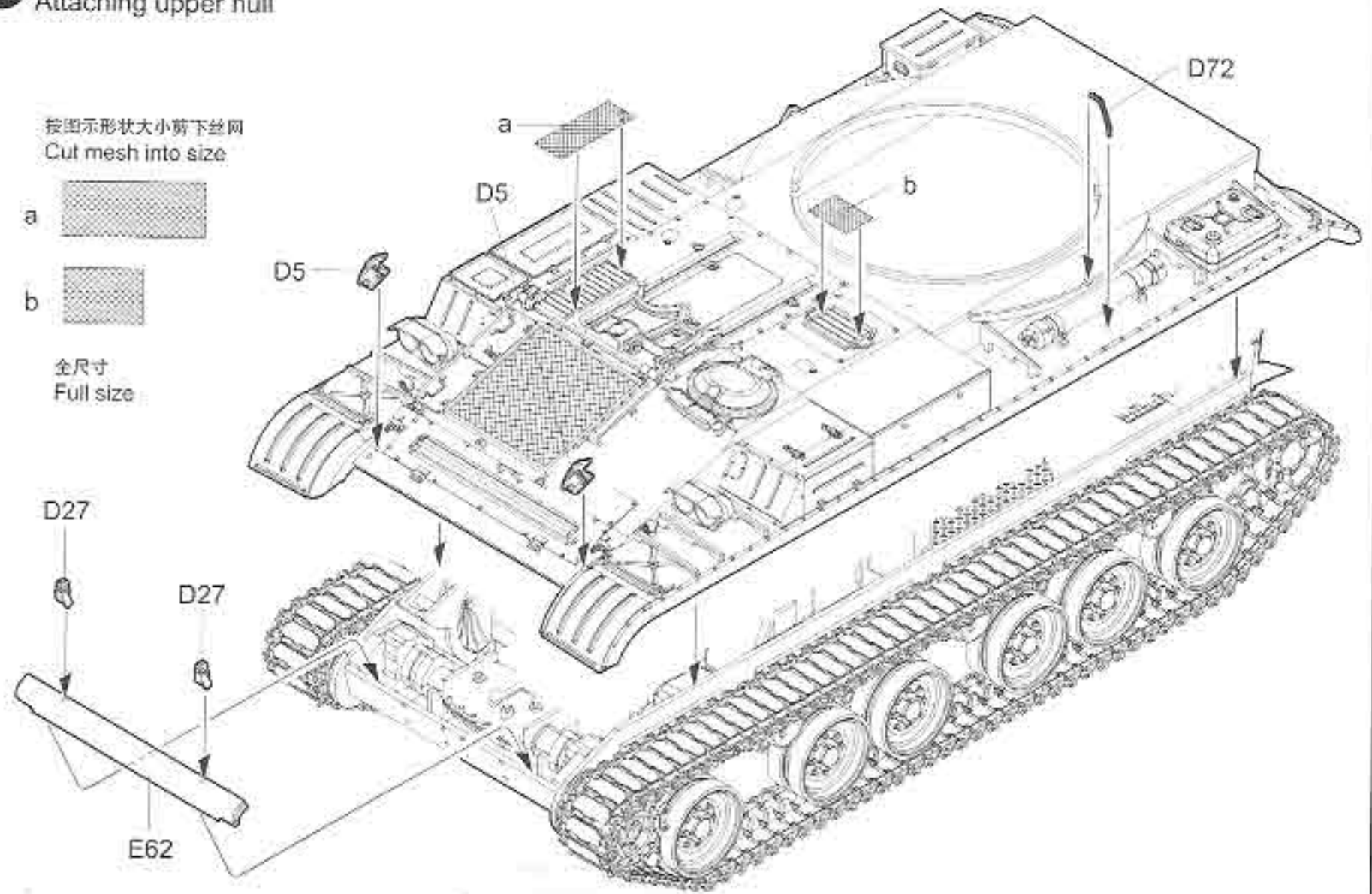
25 车面组装Ⅲ
Upper hull assemblyⅢ



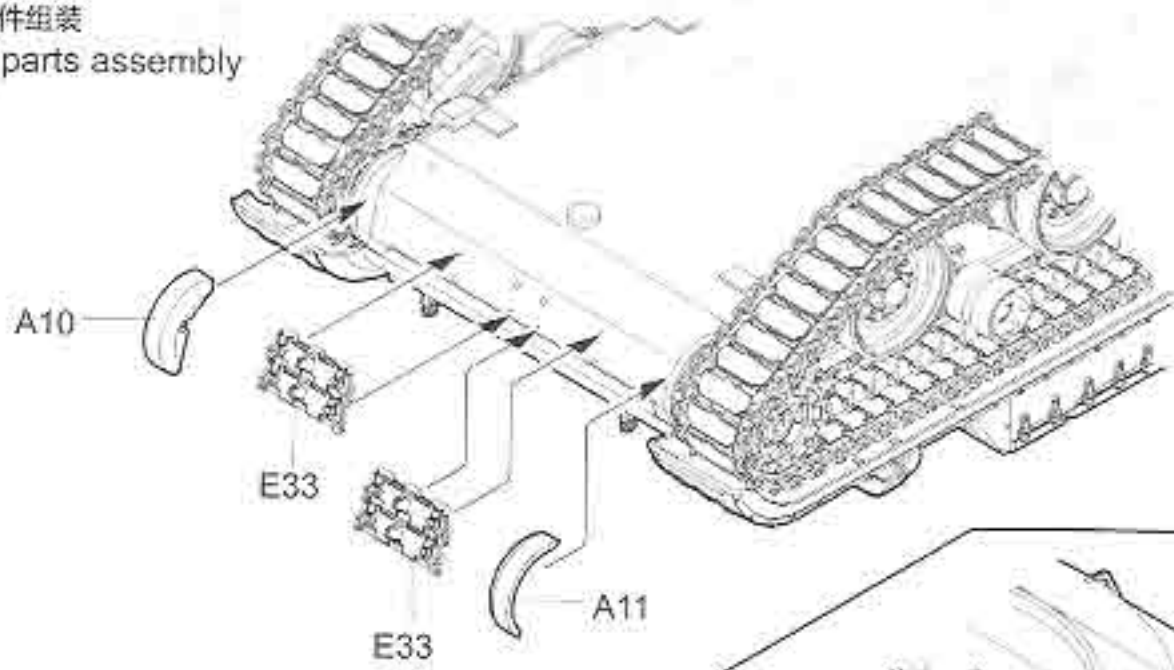
26 车面组装Ⅳ
Upper hull assemblyⅣ



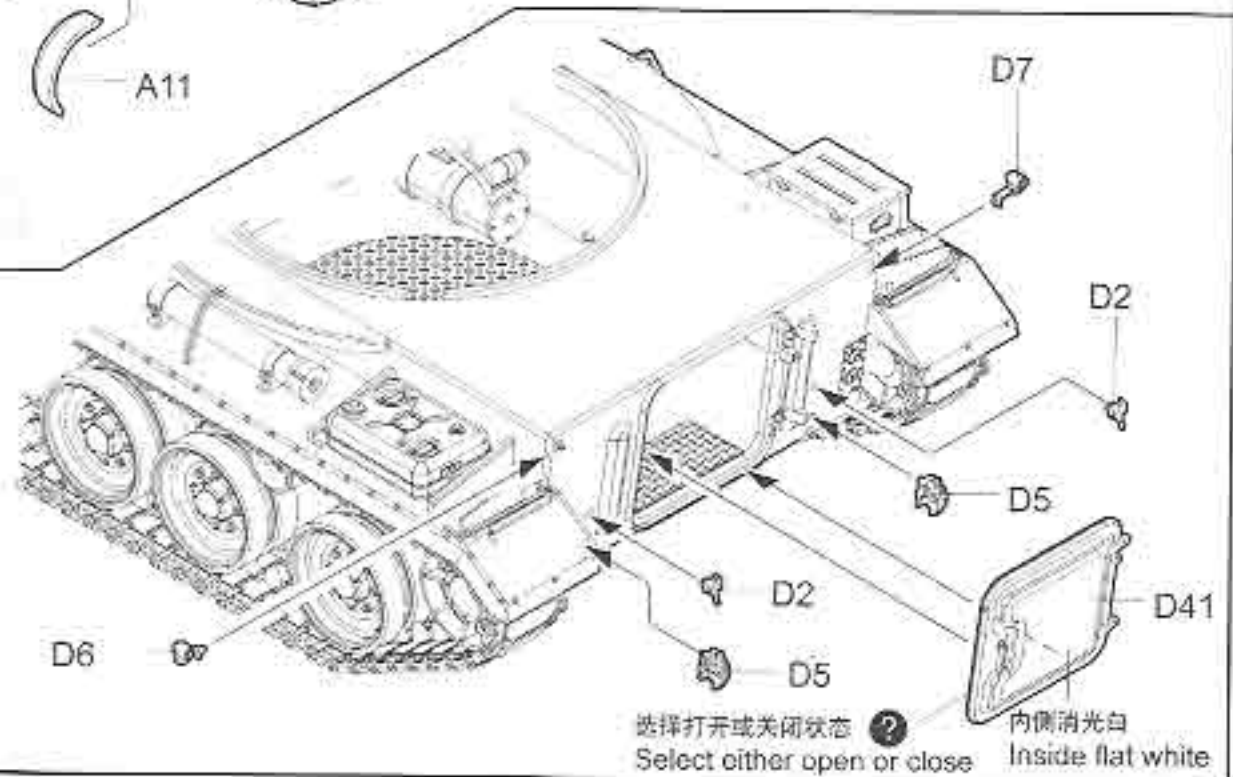
27 车面安装
Attaching upper hull



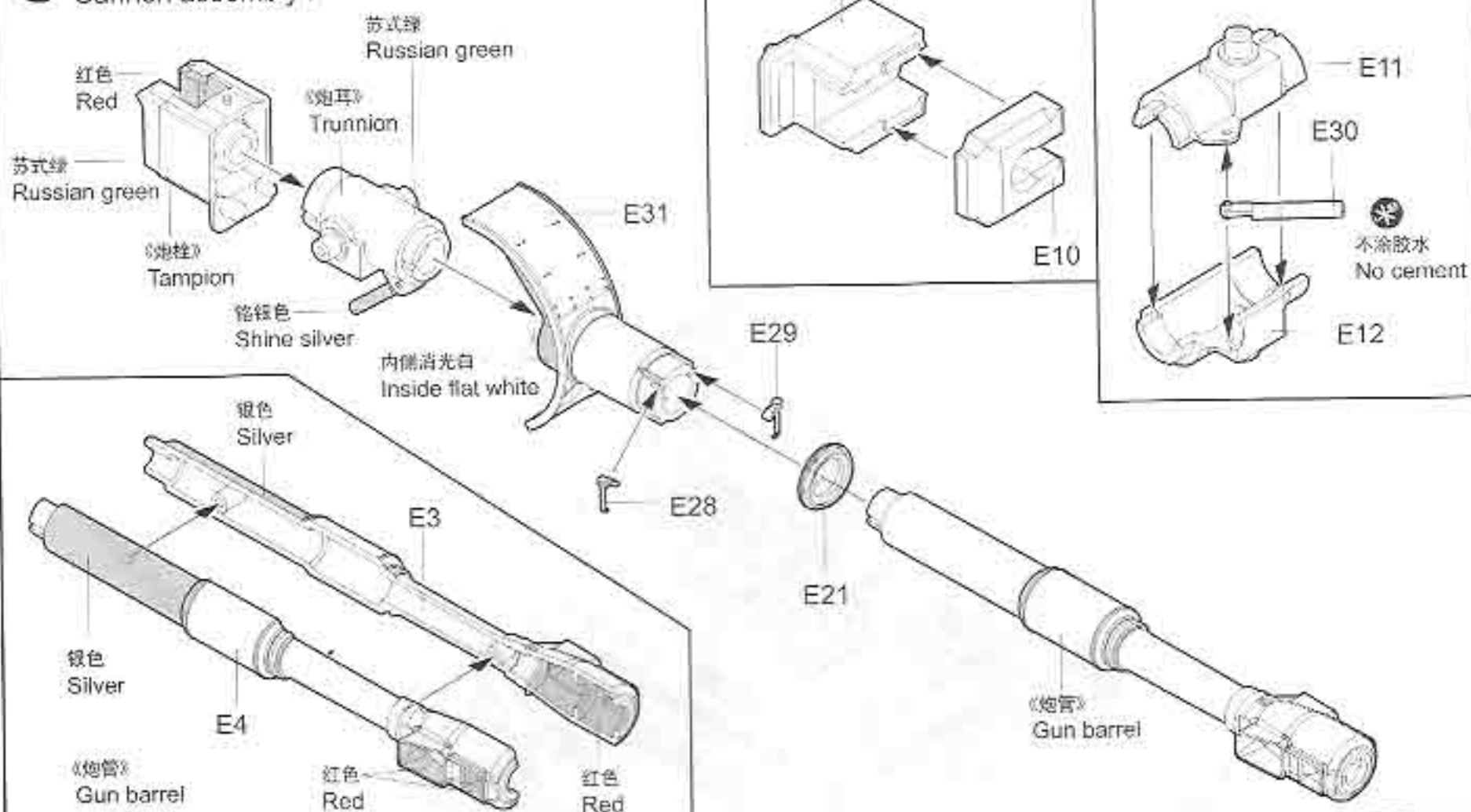
28 车首零件组装
Front parts assembly



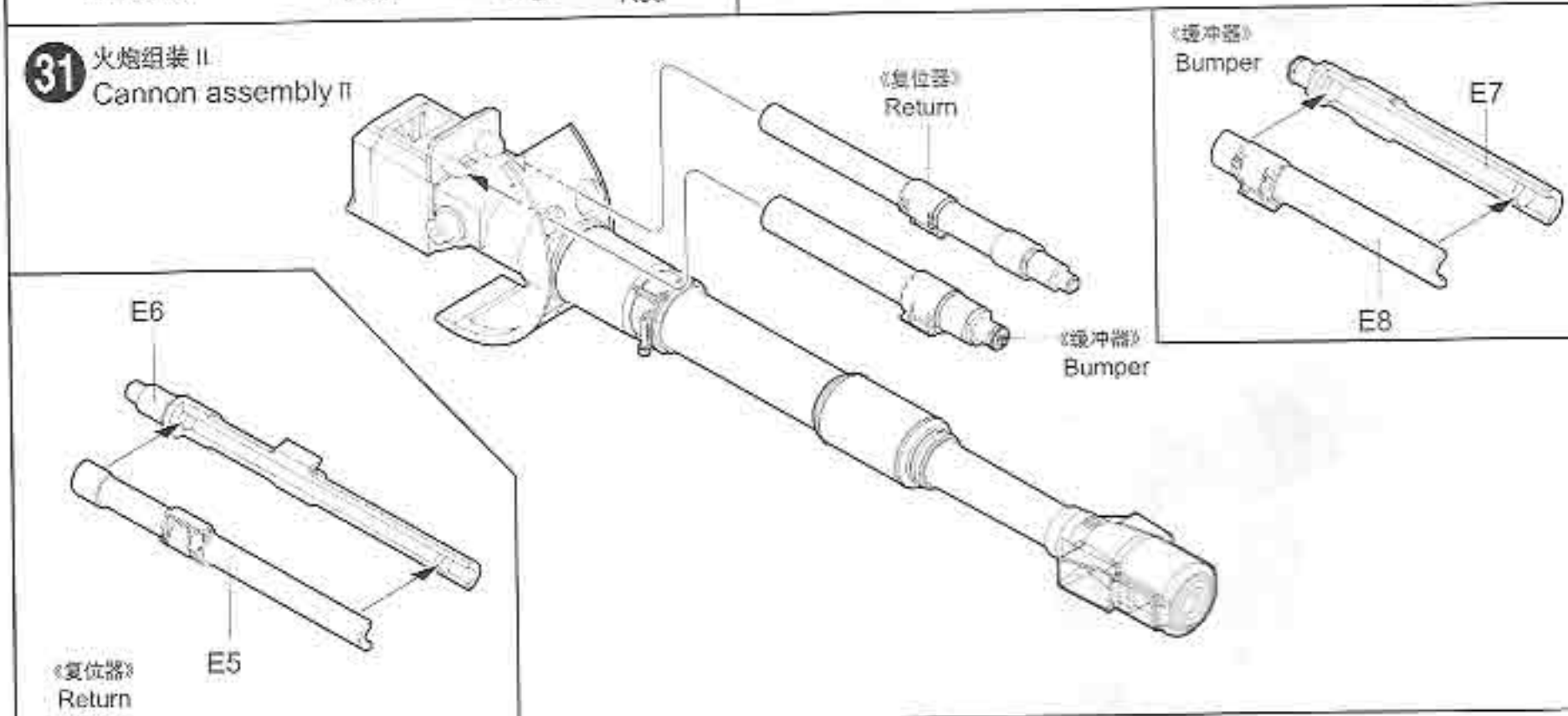
29 车尾零件组装
Rear parts assembly



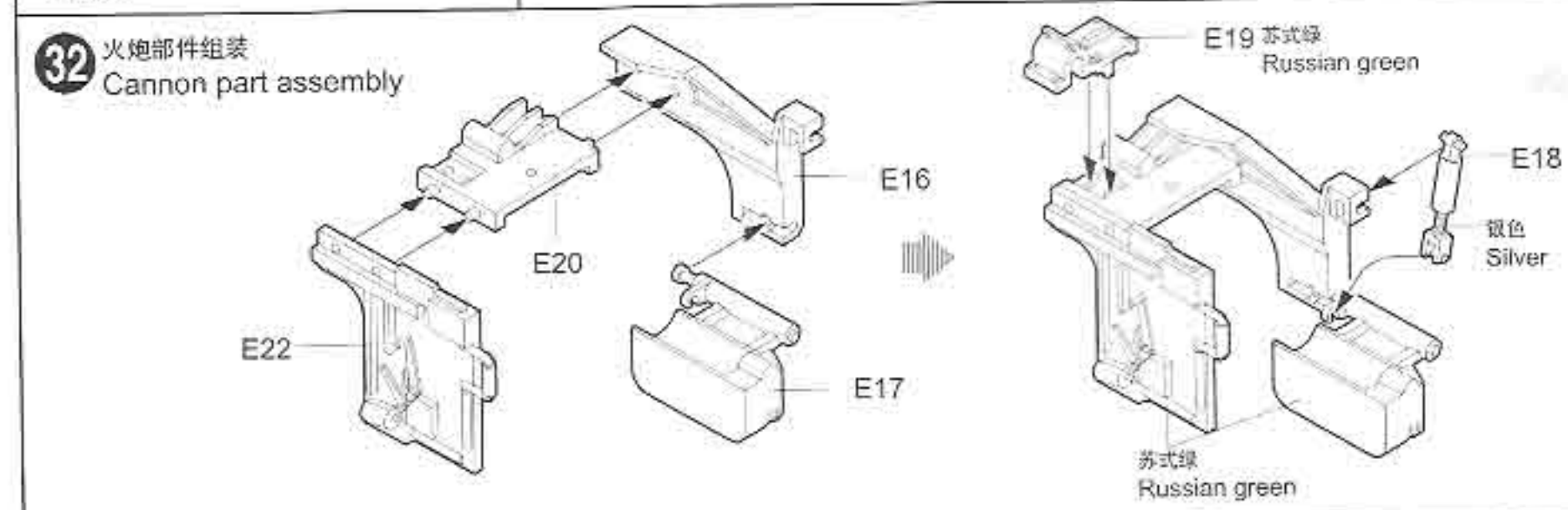
30 火炮组装 I
Cannon assembly I



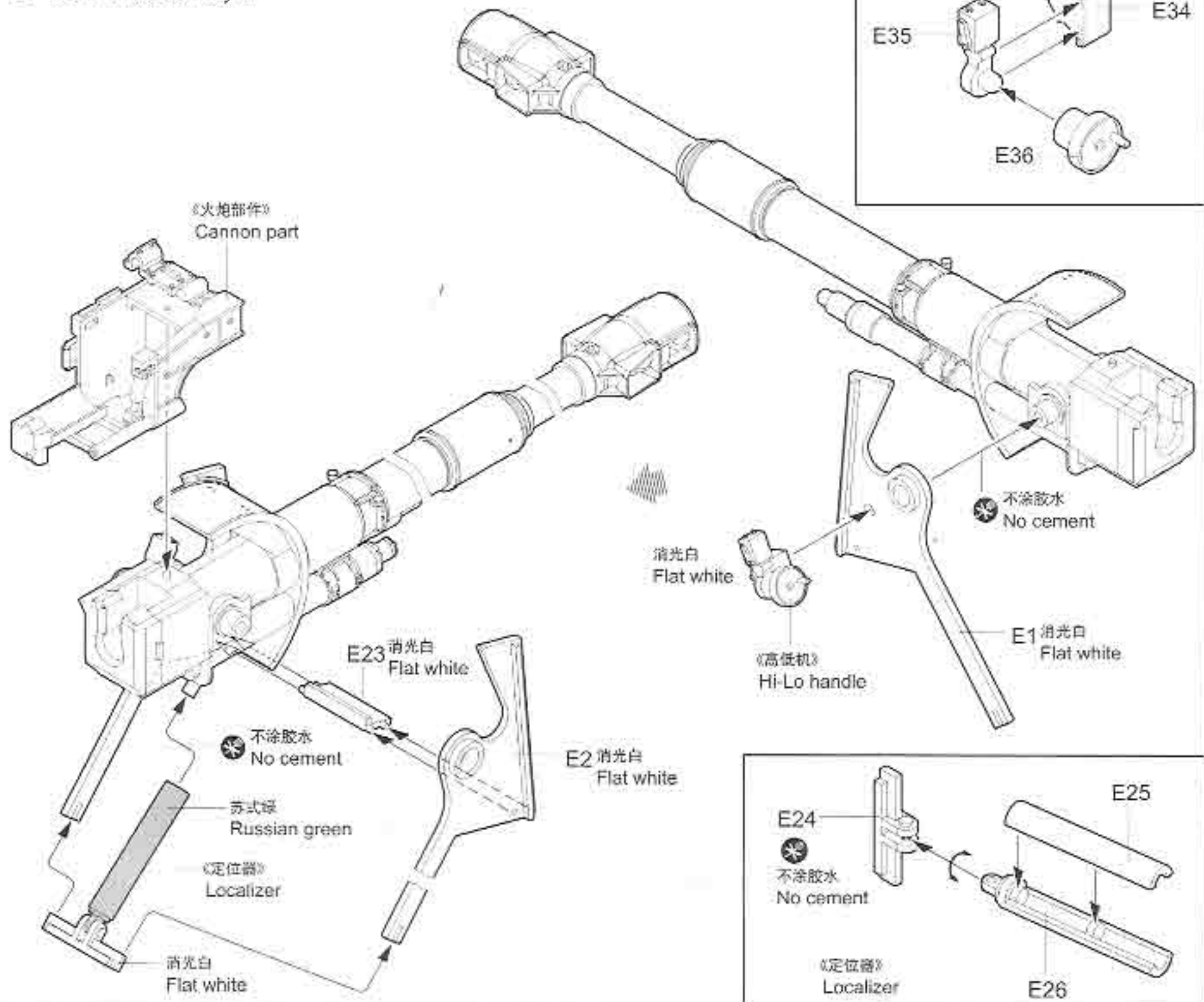
31 火炮组装 II
Cannon assembly II



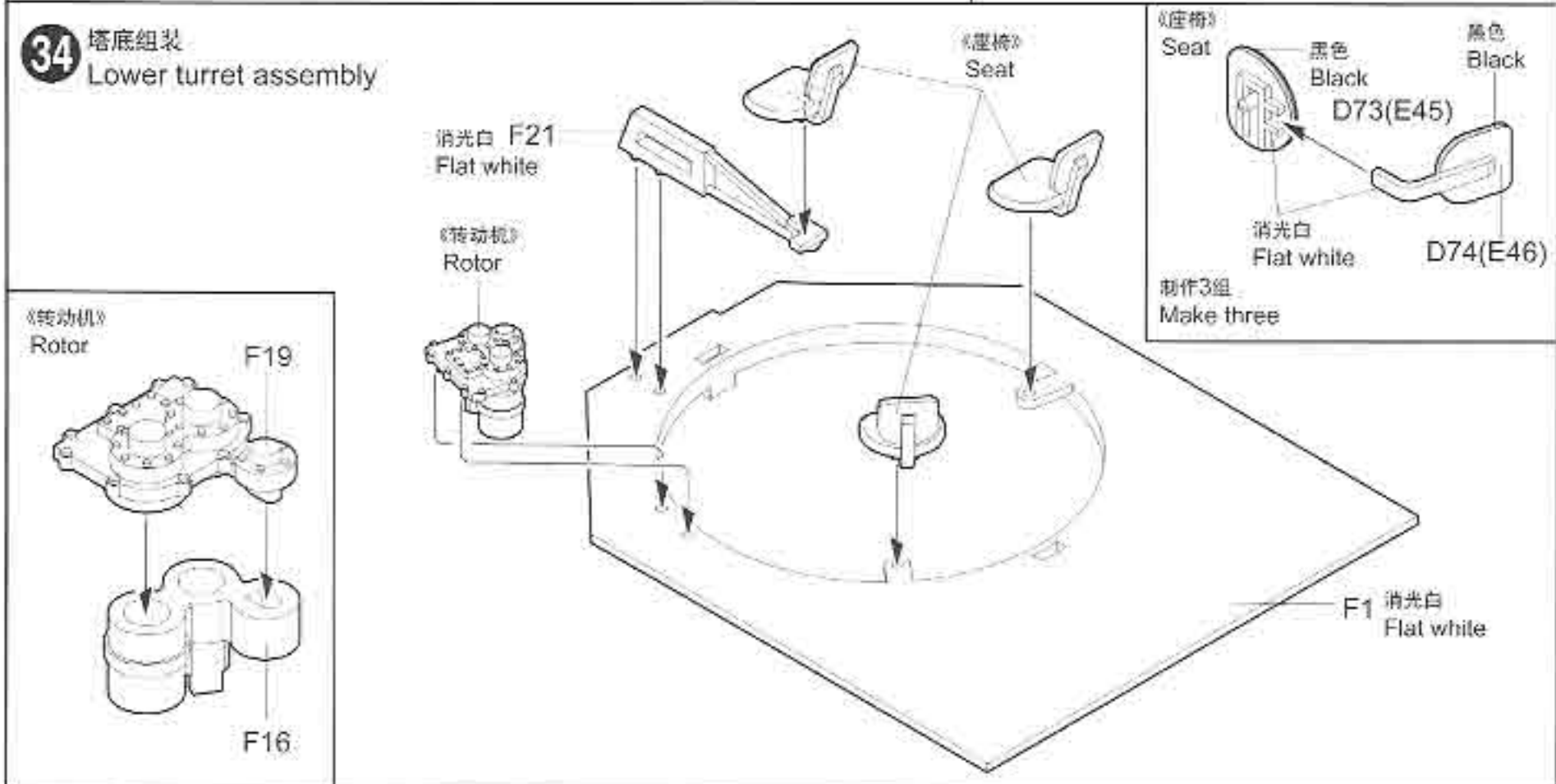
32 火炮部件组装
Cannon part assembly



33 火炮组装Ⅲ
Cannon assemblyⅢ

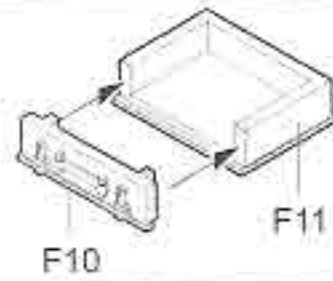
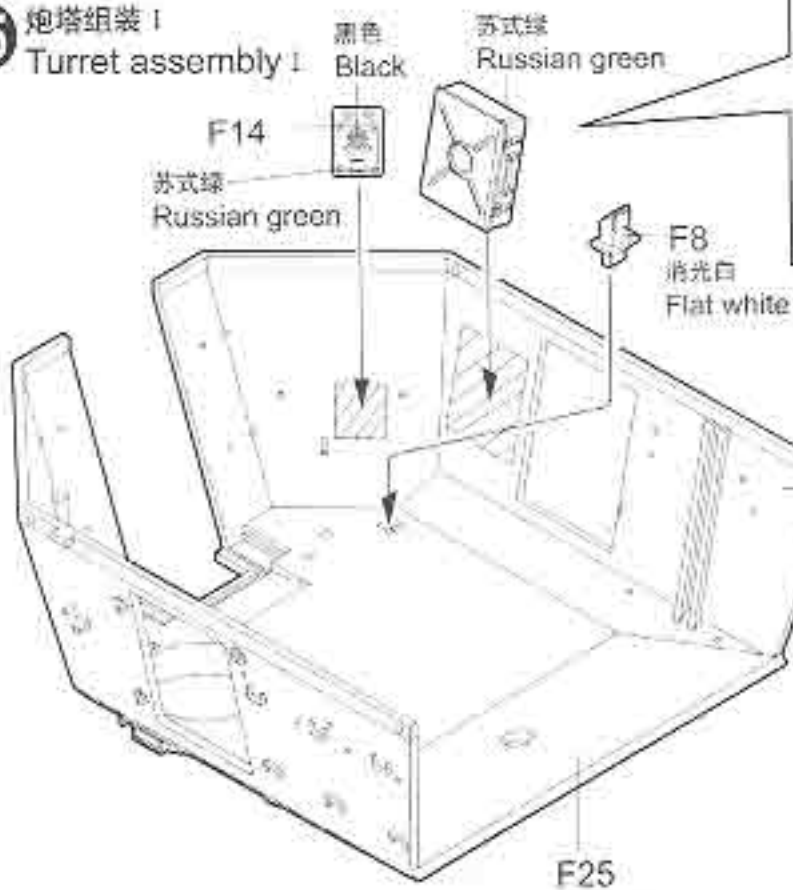


34 塔底组装
Lower turret assembly

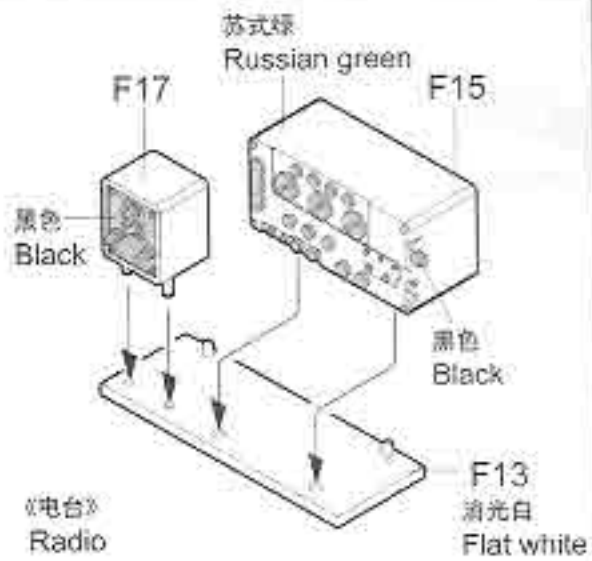
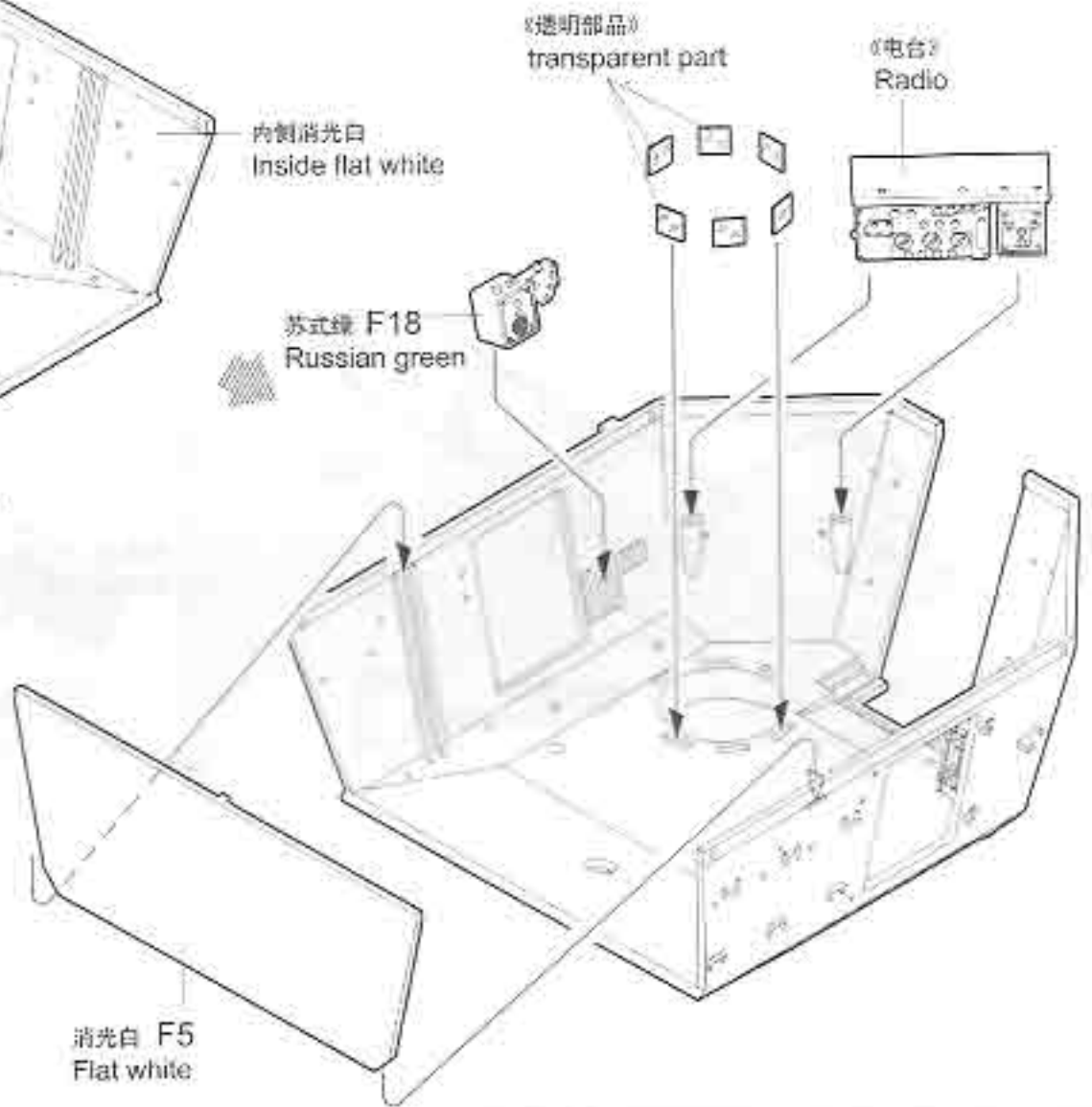


35 炮塔组装 I
Turret assembly I

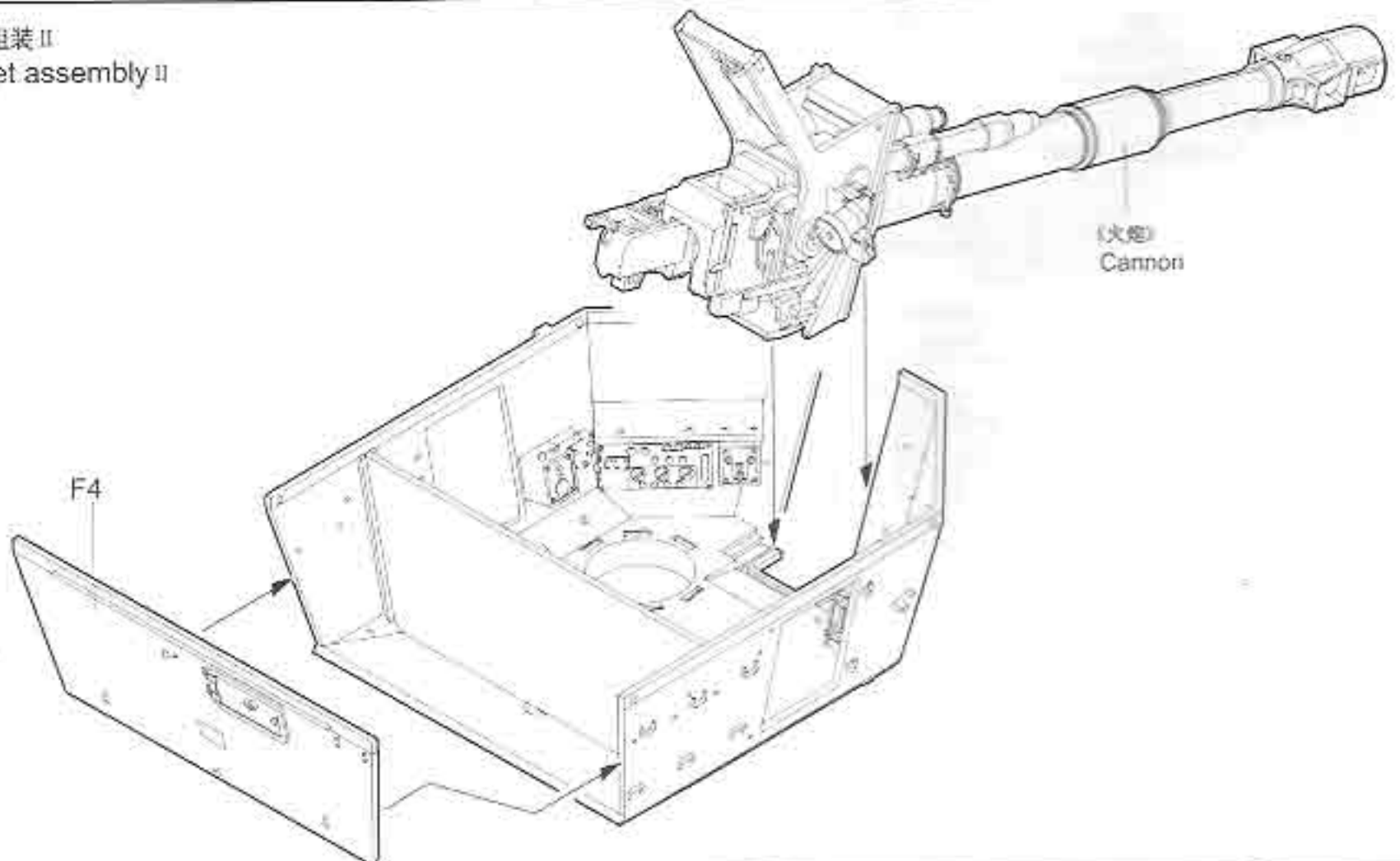
按图示切下透明部品
Cut out transparent part as shown



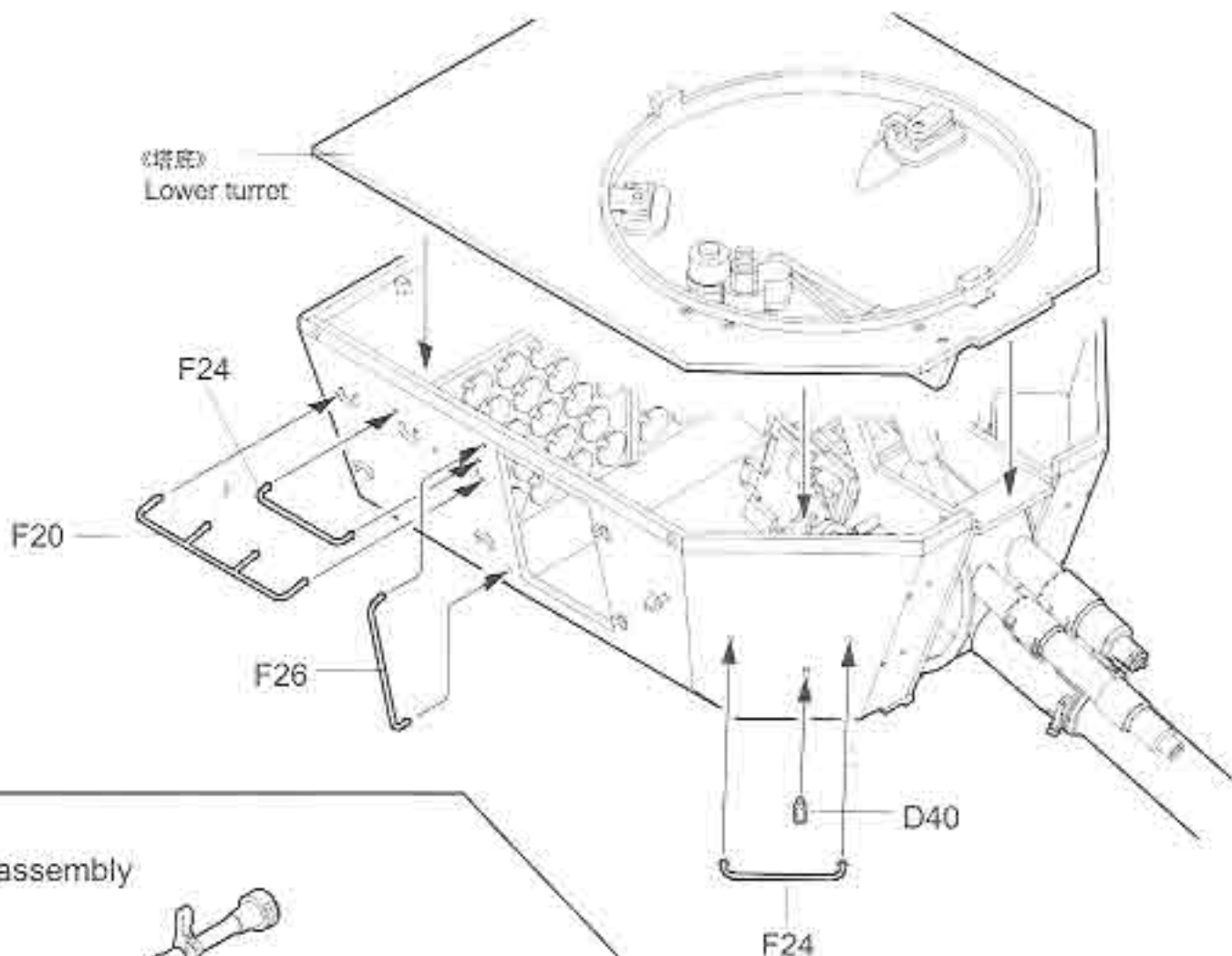
制作6组
Make six



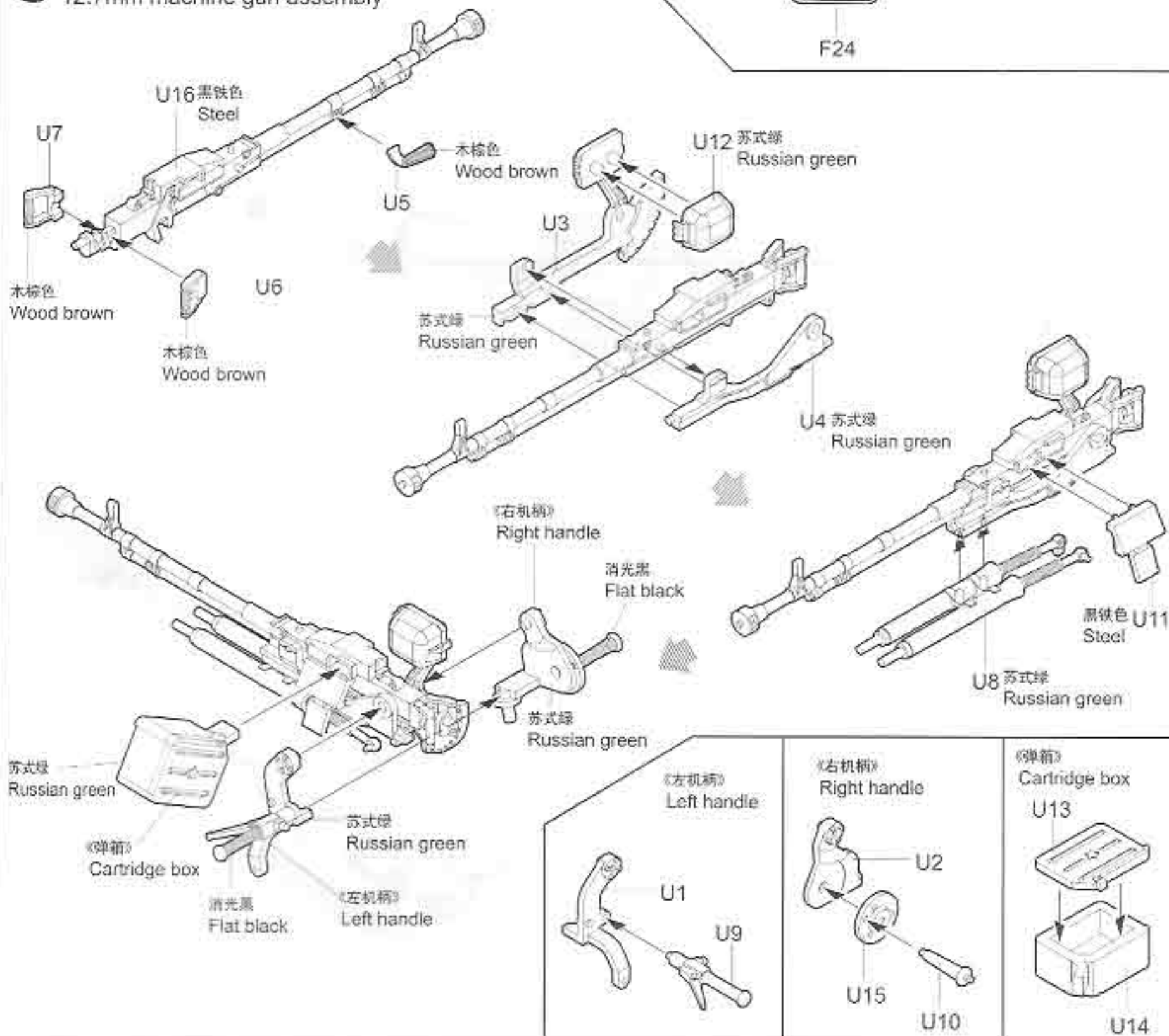
36 炮塔组装 II
Turret assembly II



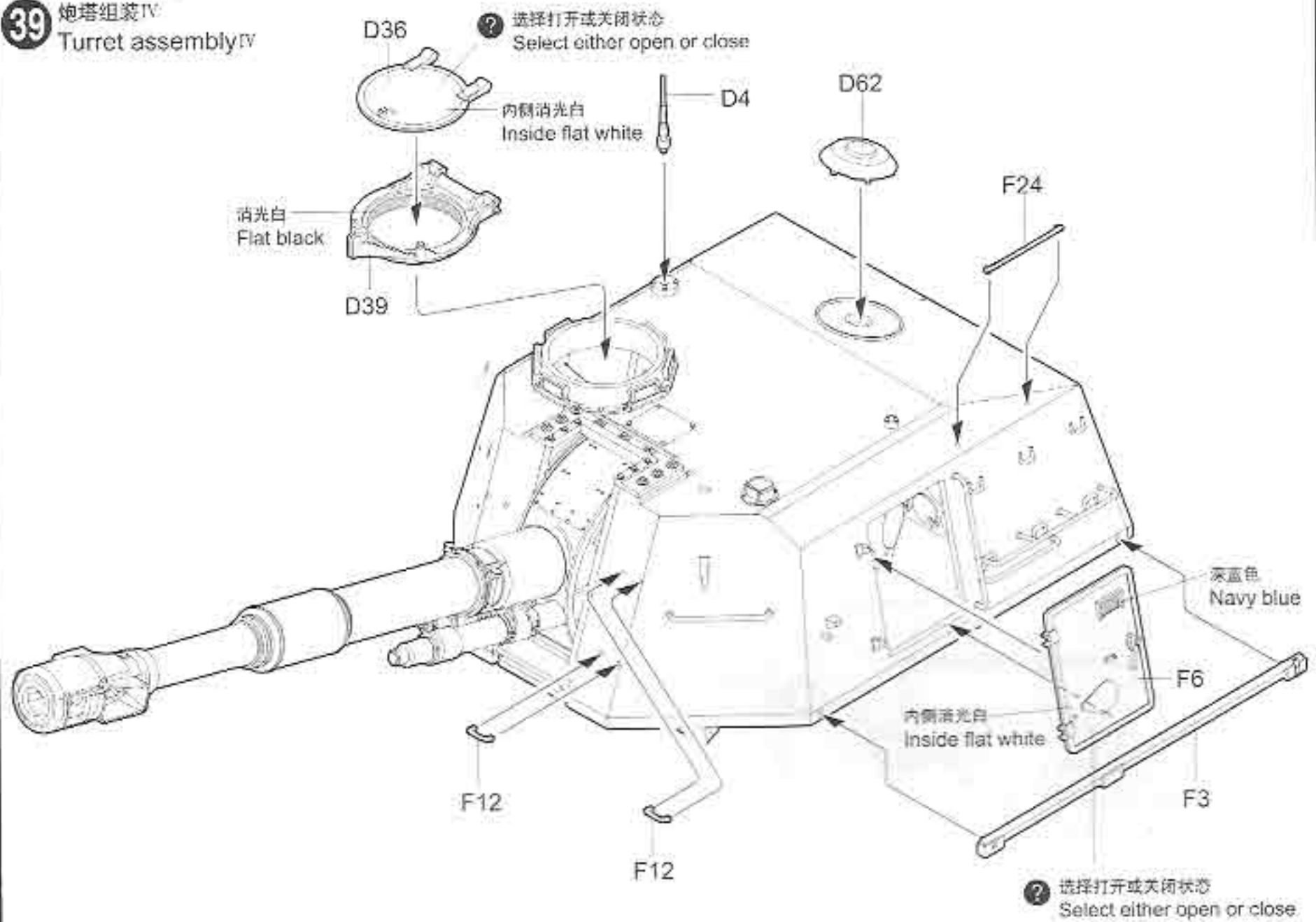
37 炮塔组装III
Turret assembly III



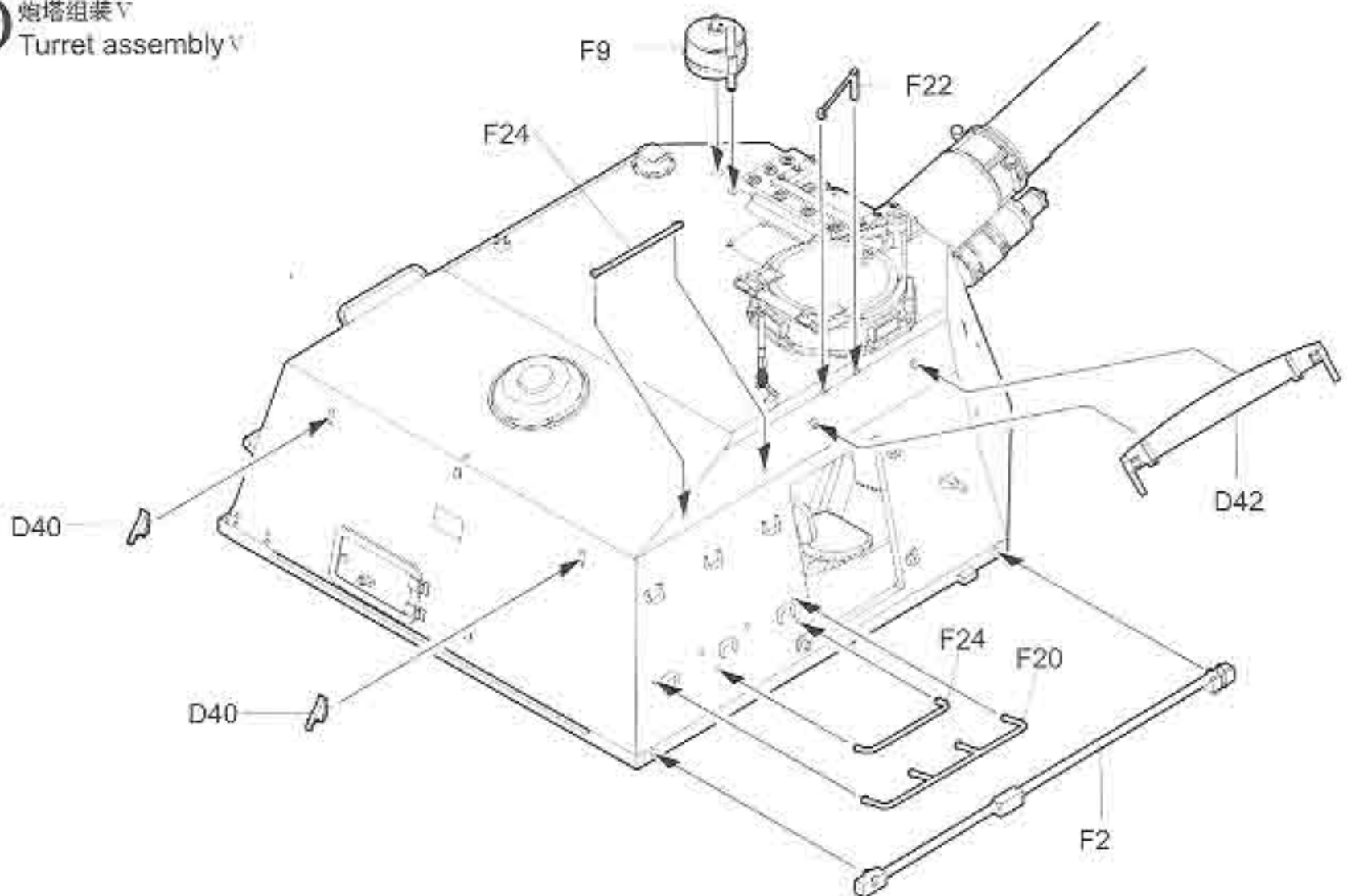
38 12.7mm机枪组装
12.7mm machine gun assembly



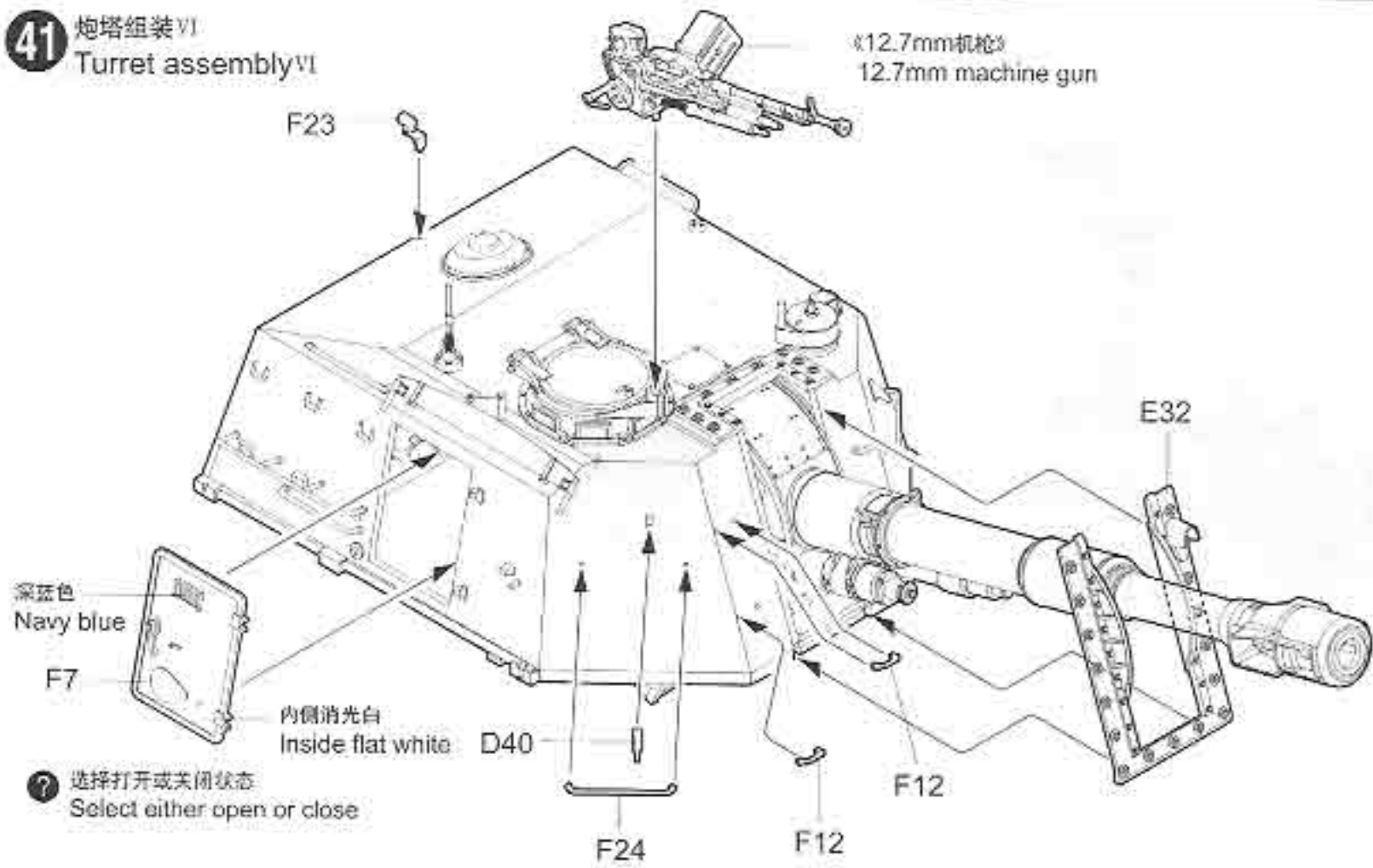
39 炮塔组装IV
Turret assembly IV



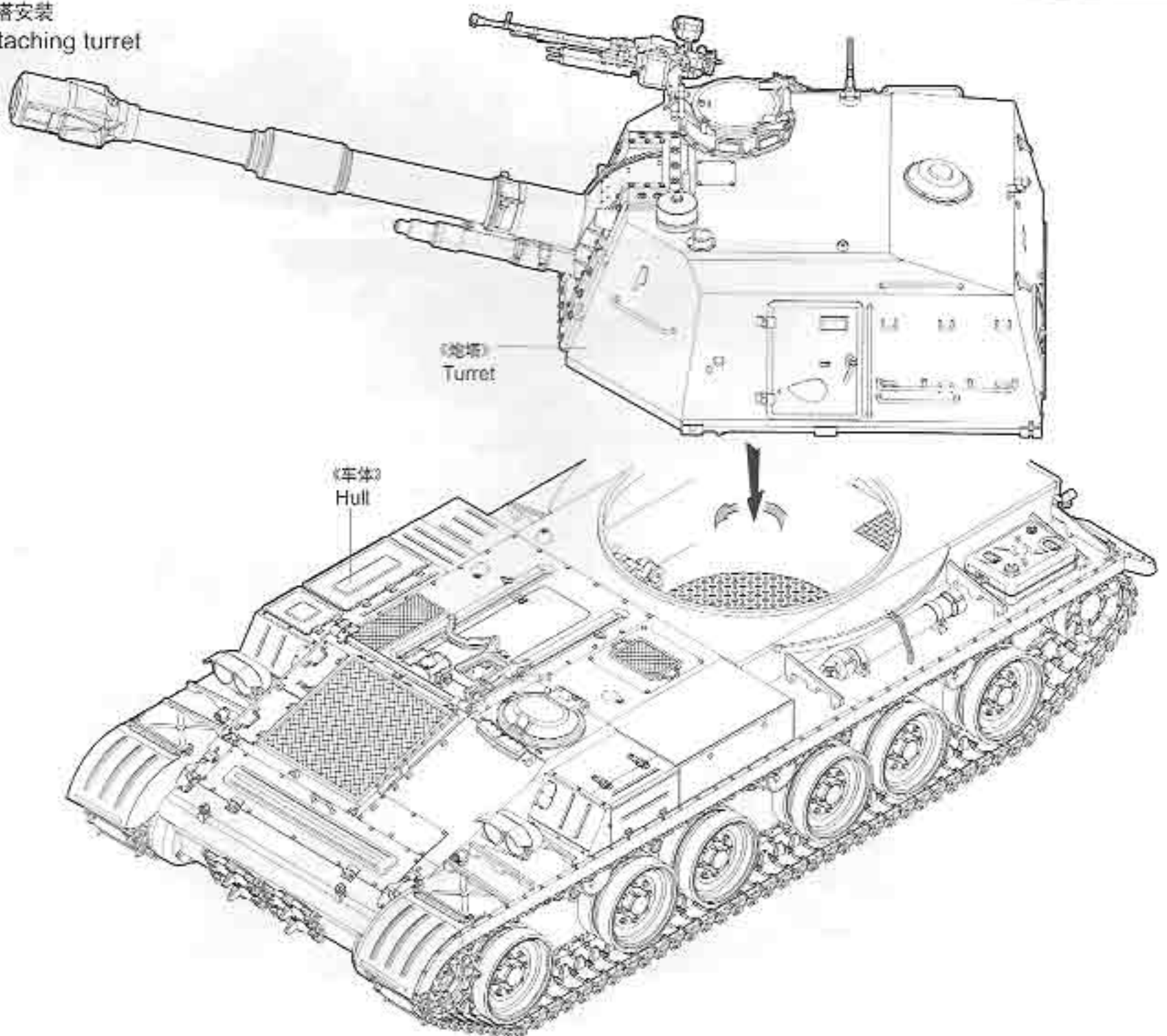
40 炮塔组装V
Turret assembly V



41 炮塔组装 VI
Turret assembly VI



42 炮塔安装
Attaching turret



涂装同标贴指示
Painting & Marking guide

郡仕色使用

Gunze Mr. color used



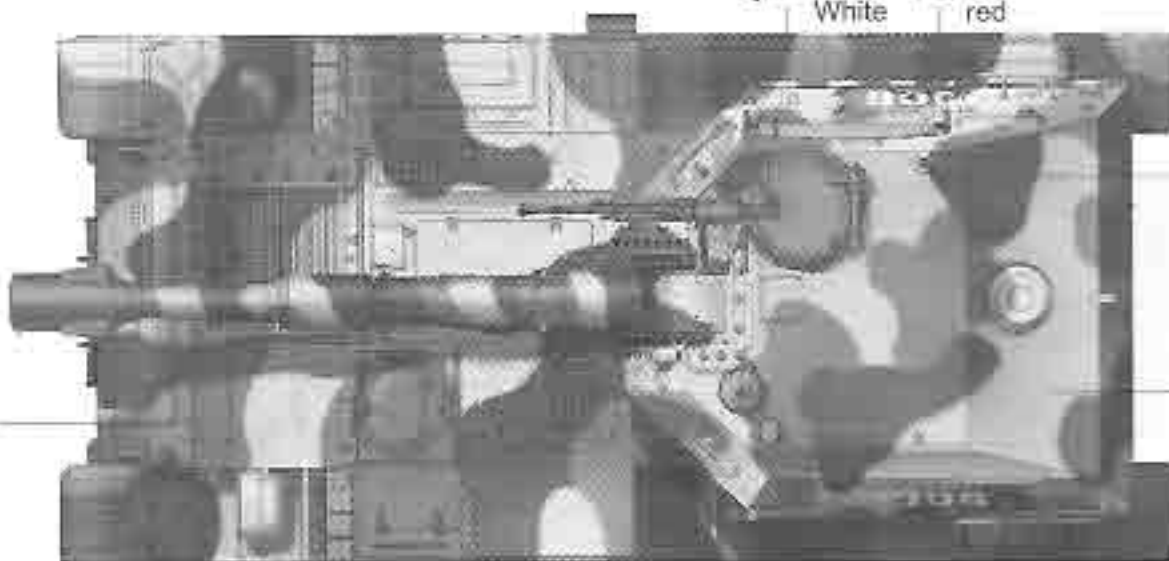
61 消光白
Flat white

Handwritten note:
20992222



1 白色
White

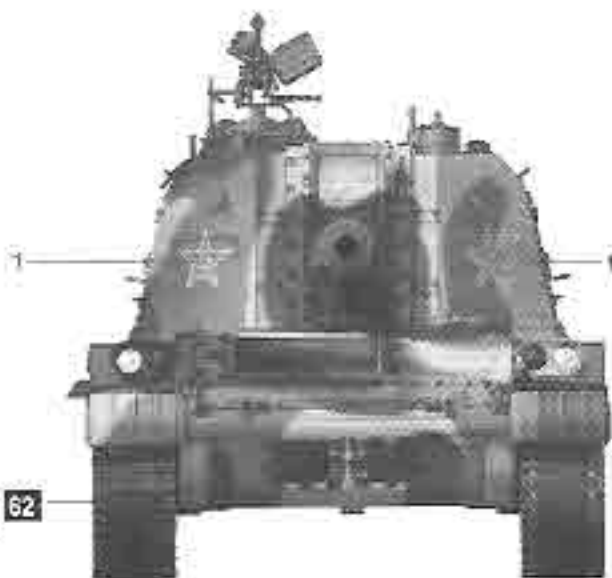
3 红色
red



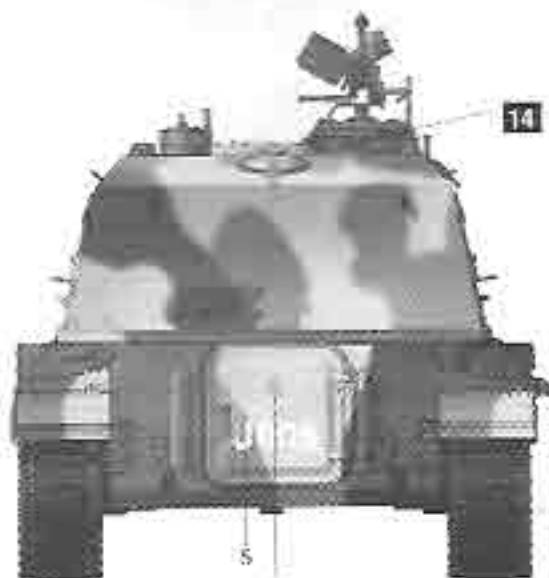
23 墨绿色
Dark green

133 土黄色
Earth

苏式绿 185
Russian green



烧铁色 62
Burnt iron



14 深蓝色
Navy blue

33 消光黑
Flat black