

日本99式自行榴弹炮

JGSDF TYPE 99 HSP

READ BEFORE ASSEMBLY:

- Study and understand these instructions thoroughly before beginning assembly
- When needed, remove photo-etch parts carefully using a modeling knife or photo etch sprue cutter, being careful not to damage or lose small parts.
- Take extra care in handling photo etch parts in order to avoid injury
- Apply instant cement sparingly to photo etch parts where instructed
- Tools recommended(not included in kit):Plastic and instant cements, sprue cutters,long nose pliers,modeling knife, small files, tweezers, pin vise & scissors. Soft cloth and sandpaper will also assist in construction
- Glue and paint are not included in the kit. Use plastic cement and hobby paints only. Color guide for purchasing paint is included in the kit.

装配之前仔细阅读

- 小心用模型锉刀锉平所有零件表面的注射浇口。
- 小心用刀片切下蚀刻片零件，不要遗失小零件。
- 用强力快干胶水粘合蚀刻片零件和金属轴。过量快干胶水使用可能导致可动零件会粘住，小心涂胶。
- 取蚀刻片时应特别注意安全，防止利边划伤手指。
- 某些零件表面需贴水上贴纸，请选择在装配的同时进行。
- 推荐模型工具(自备)：胶水，水口剪刀，长咀钳，刀片，锉刀，镊子，钳，钻，剪刀，瞬间快干胶。
- 软布同砂纸同时也应该是必备工具。
- 请使用塑料胶水和油漆，模型内不舍。

配重
Weight使用强力胶
Cyanoacrylate glue钻孔
Make hole切除
Cut / Remove贴纸
Decal锉平
File / Sand选择
Option不涂胶水
No cement弯曲
Bend

水贴纸的使用:

- 1.从水贴上剪下印花;
- 2.将印花放入温水中浸10秒,然后放在干净布上。
- 3.拿着印花纸板将印花移到模型上;
- 4.手指蘸水将印花移到适当的位置;
- 5.用软布轻压印花直至水干, 气泡消失

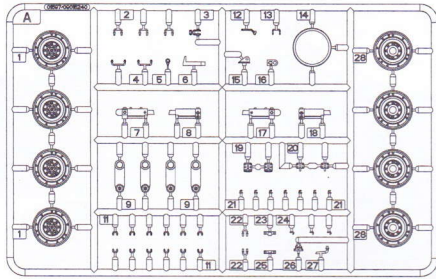
DECAL APPLICATION

- 1.Cut decals from sheet as needed
- 2.Dip the decal in warm water for about 10 seconds and then place on soft clean cloth.
- 3.Hold the decal backing sheet edge and gently slide the decal onto the model in its proper position.

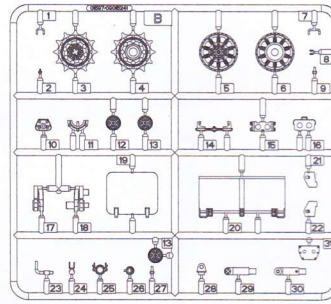
- 4.While still wet,decal can be adjusted for better fit on model by dampening it gently with your finger.
- 5.When placed in the proper position,gently press decal down with a soft cloth until excess water and air bubbles are gone.
- 6.Allow decal to dry completely before handling model

部品图 Part

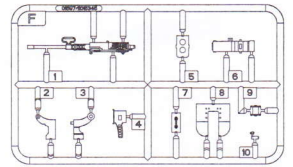
A×4



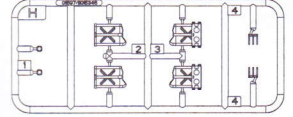
B×2



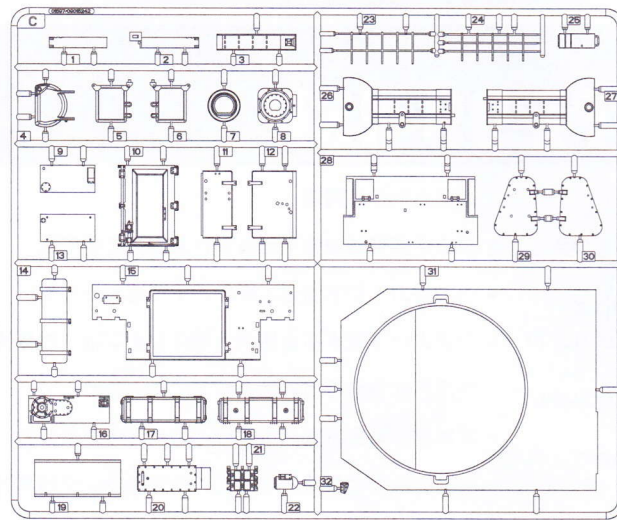
F



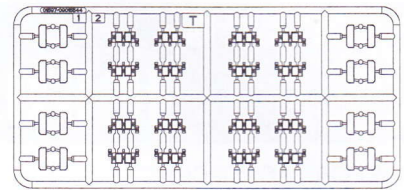
H



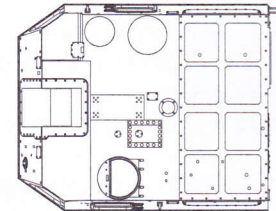
C



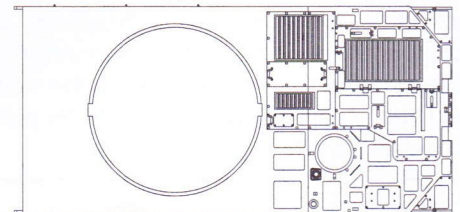
T×12



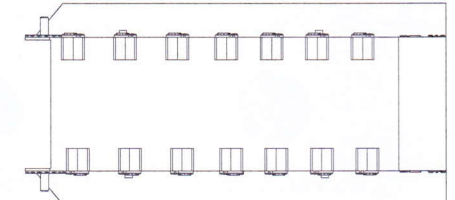
《炮塔》
Turret



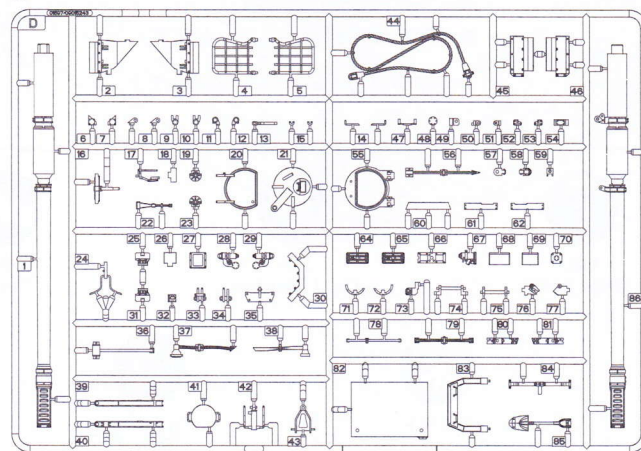
《车面》
Upper hull



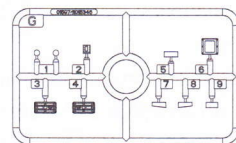
《车底》
Lower hull



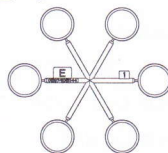
D



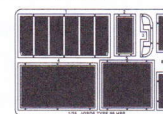
G



E×5



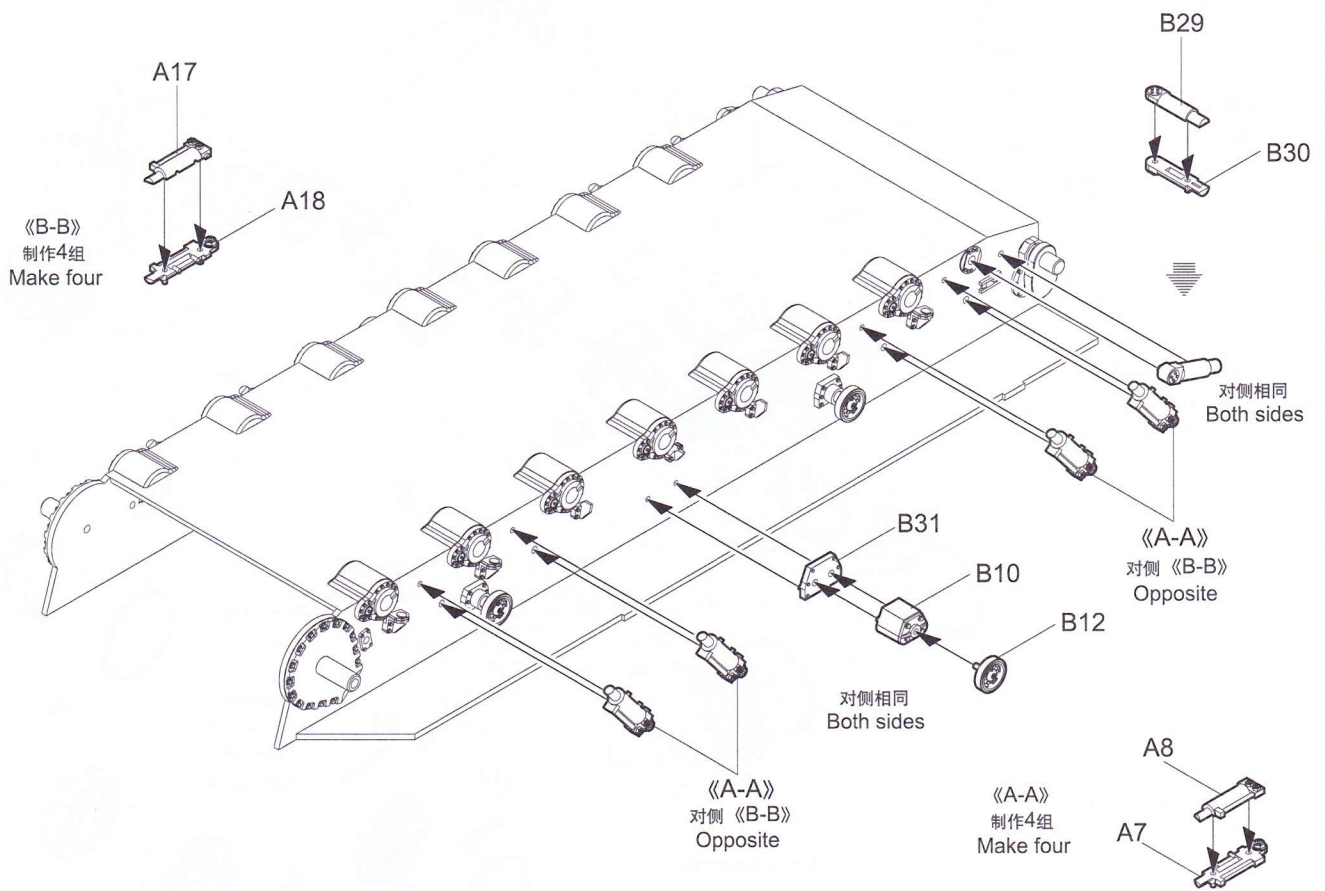
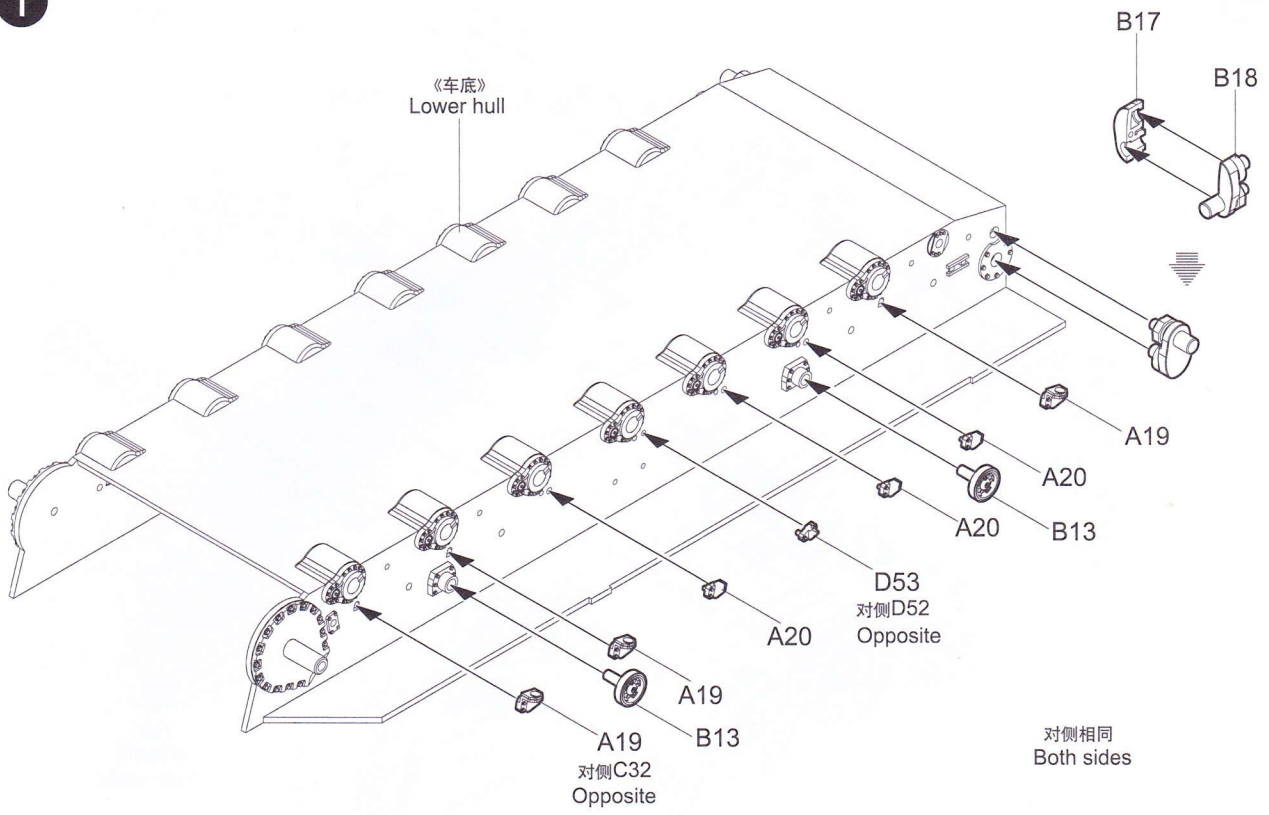
《蚀刻片》
PE-A



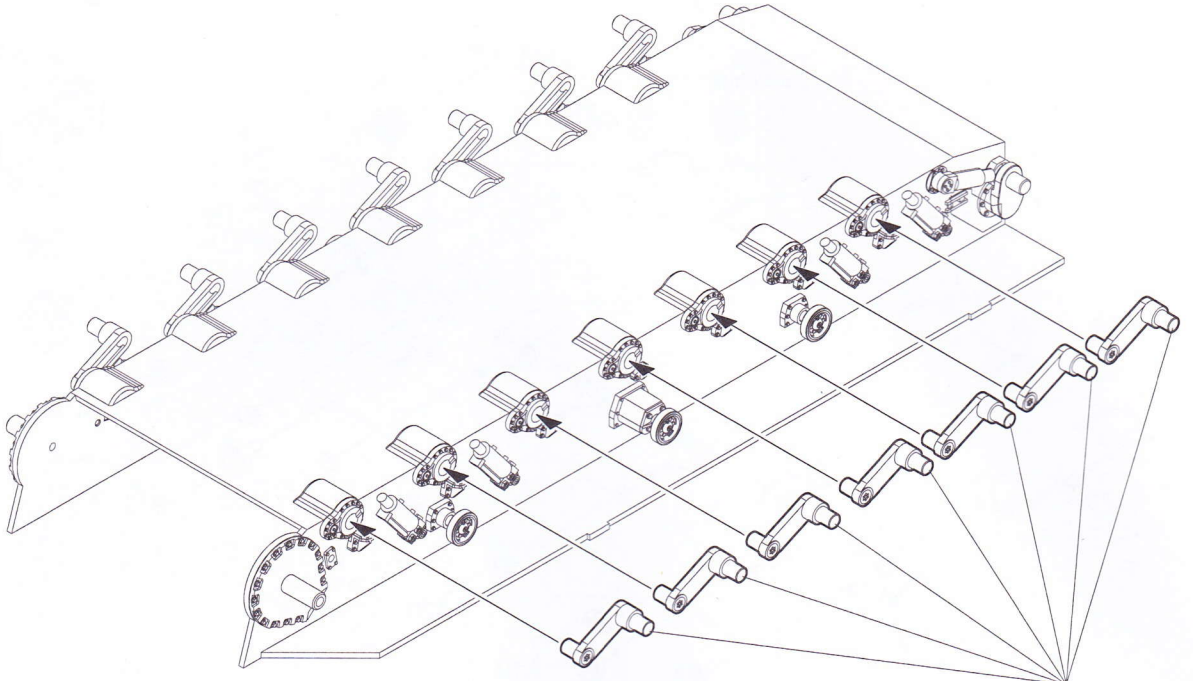
《水贴》
Decal



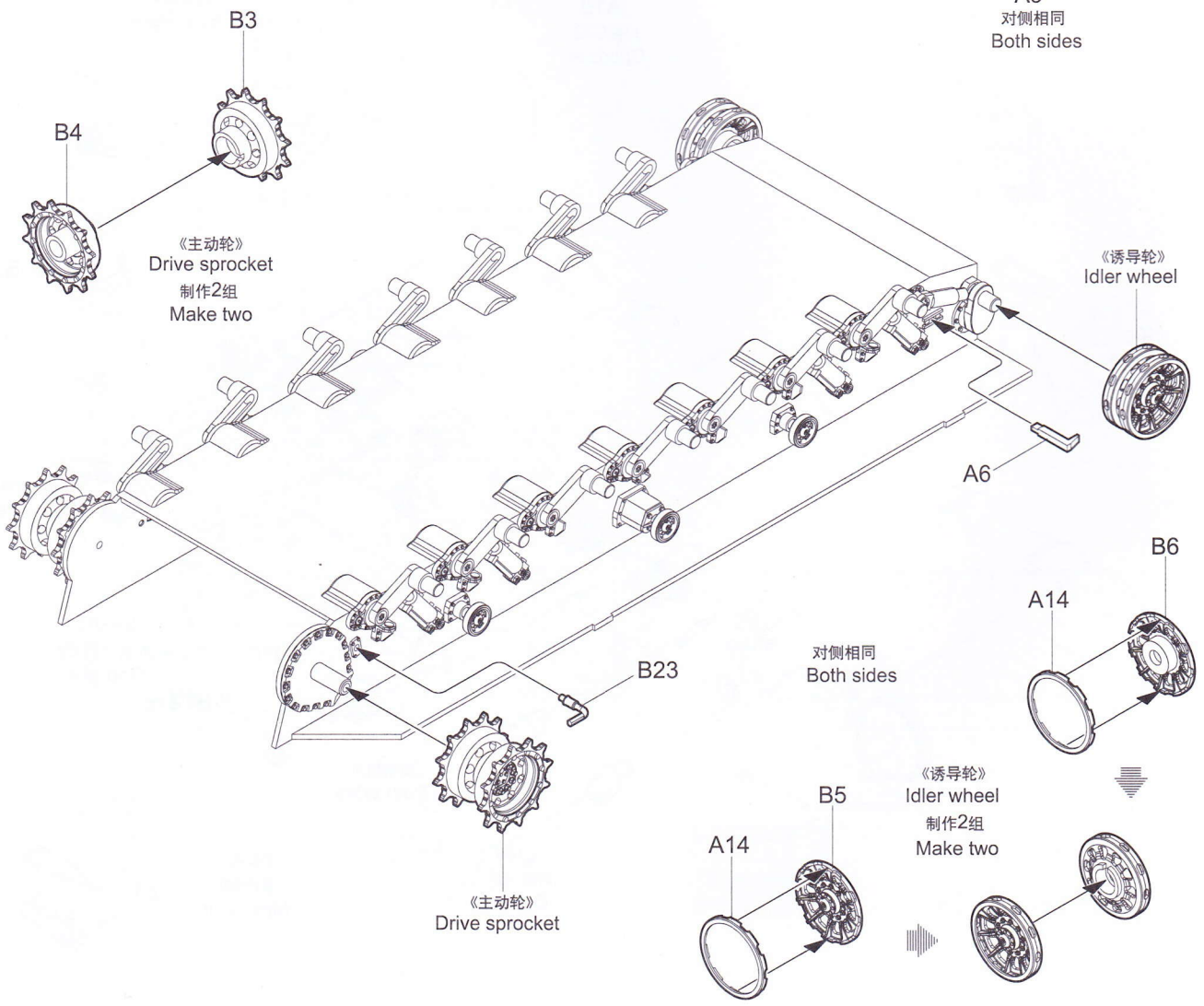
1



2



A9
对侧相同
Both sides



3

《负重轮》
Road wheel

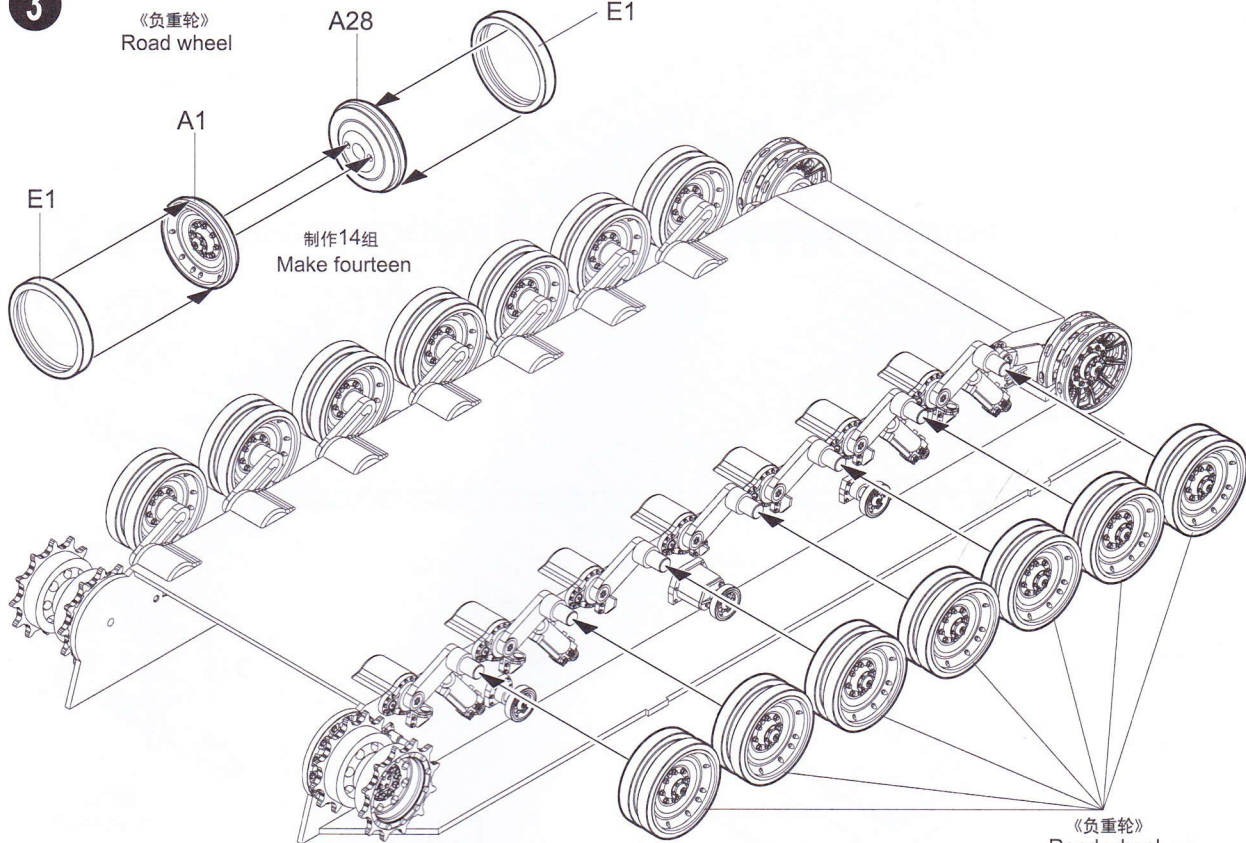
A28

E1

A1

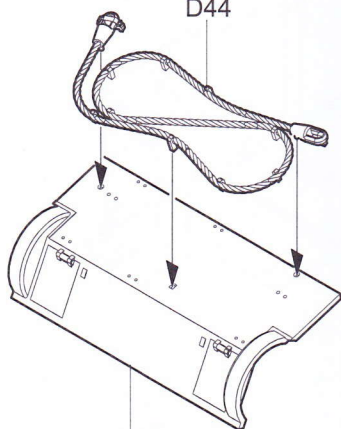
E1

制作14组
Make fourteen

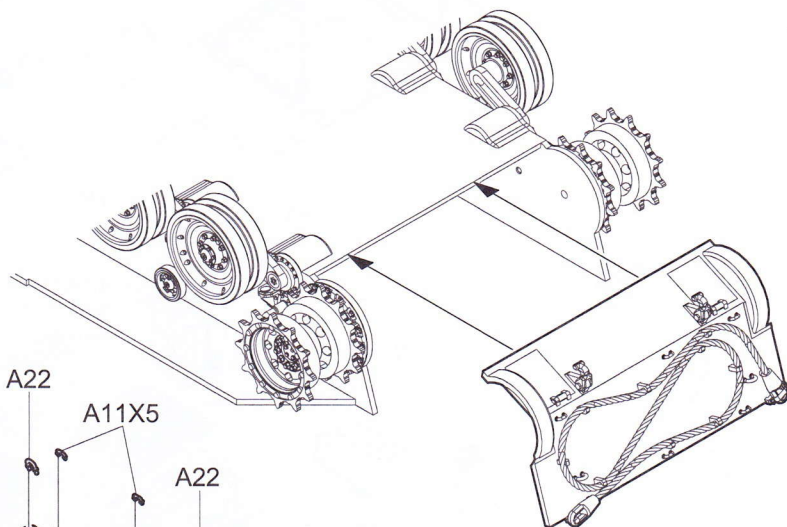


《负重轮》
Road wheel
对侧相同
Both sides

D44



C28



A22

A11X5

A22



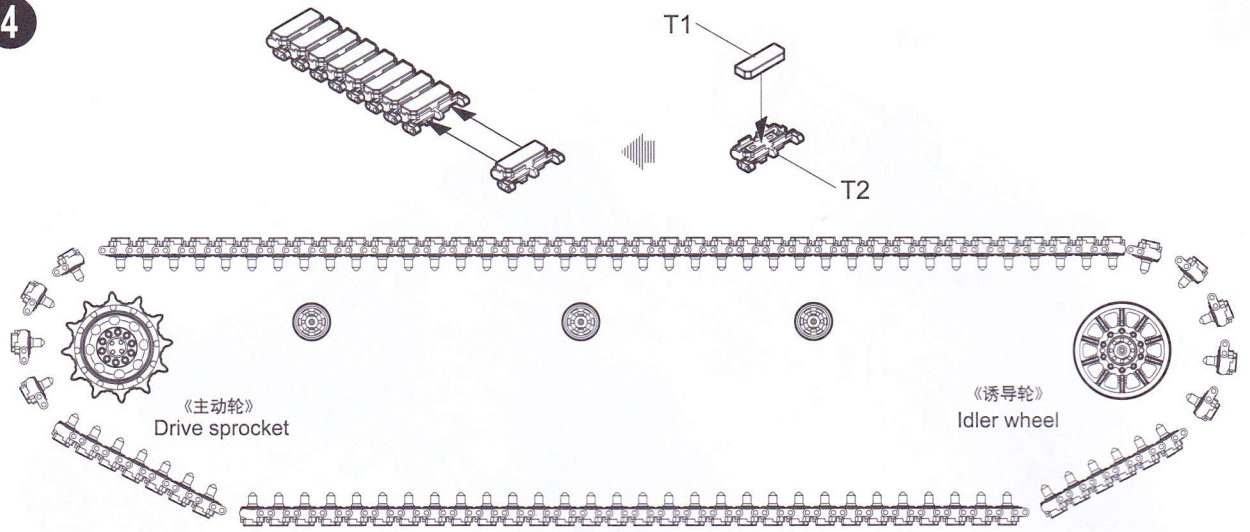
A15

A3

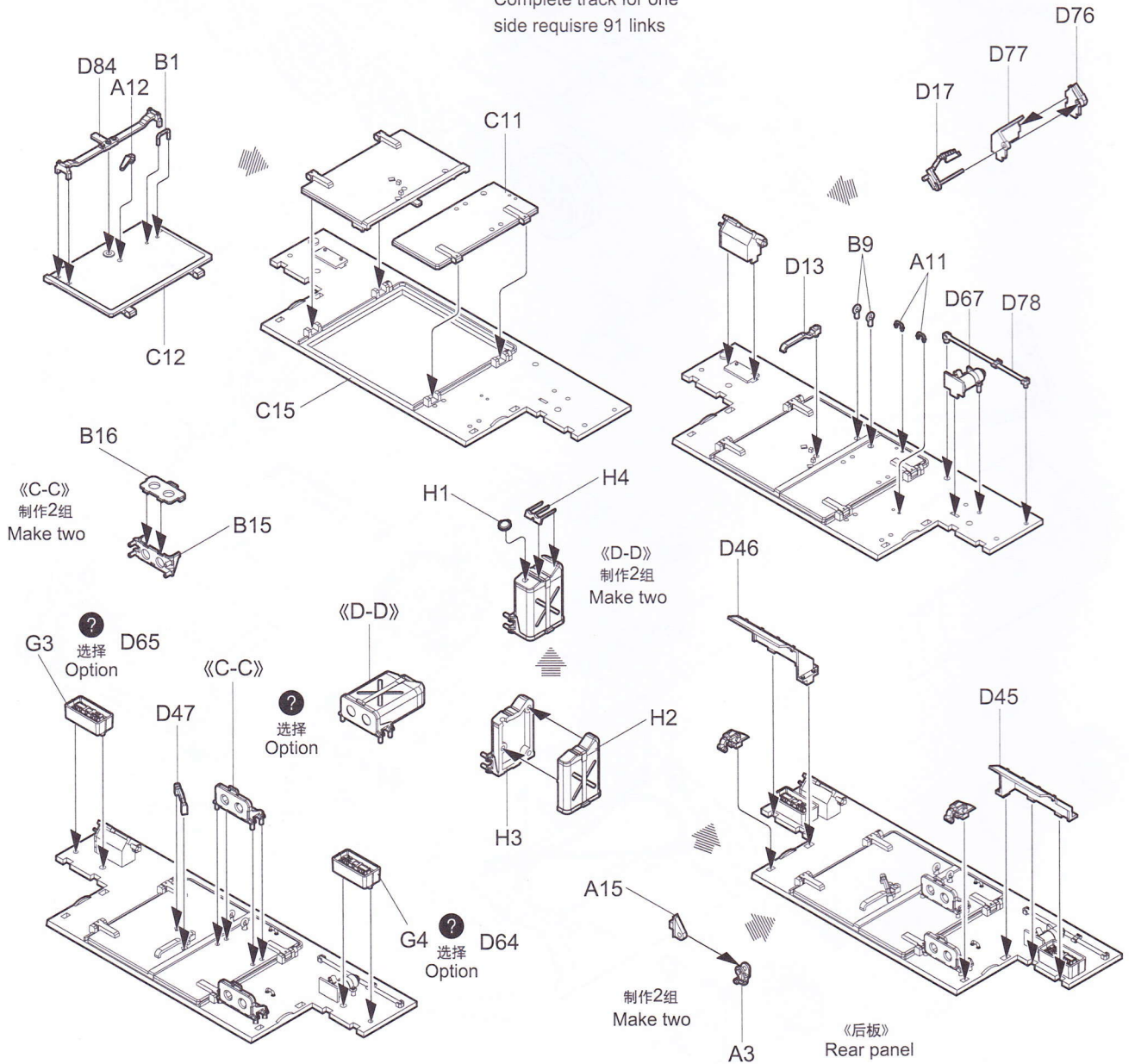
A3

A15

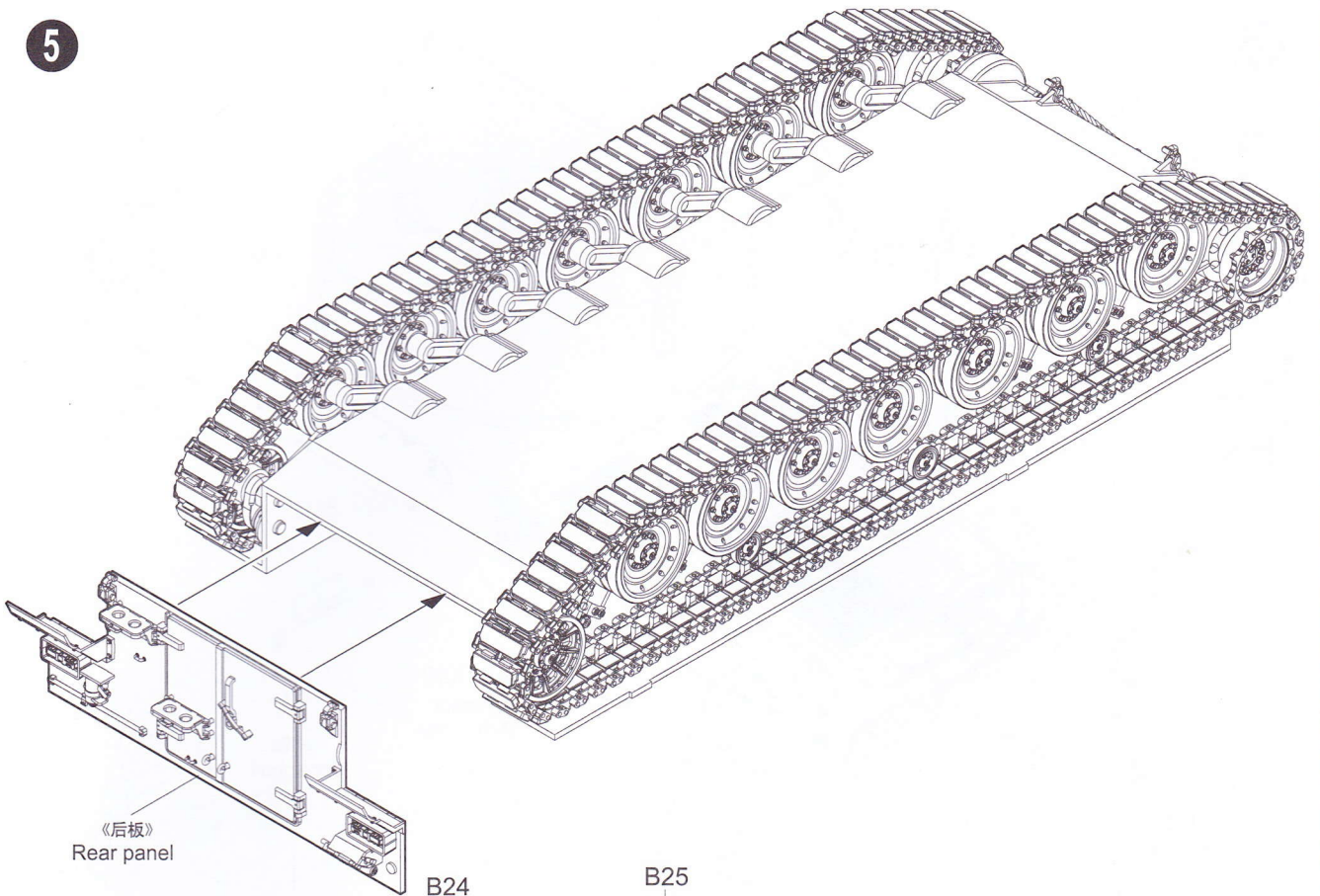
4



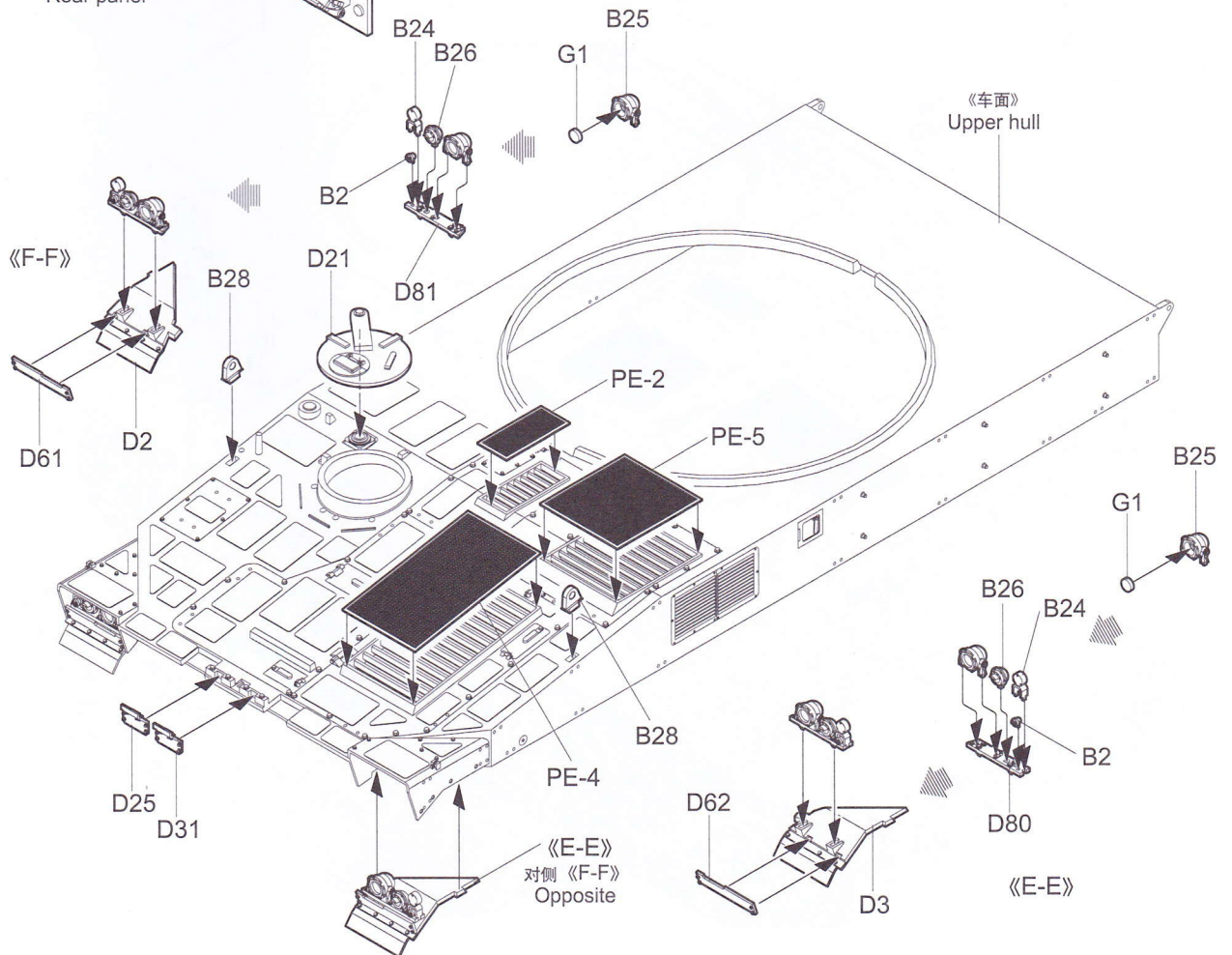
单侧履带需91节
Complete track for one side require 91 links



5



《后板》
Rear panel



《车面》
Upper hull

《E-E》
对侧《F-F》
Opposite

6

弯曲
Bend
PE-3

G8

G9

G7

A2X10

B27

D30

A11X19

对侧相同
Both sides

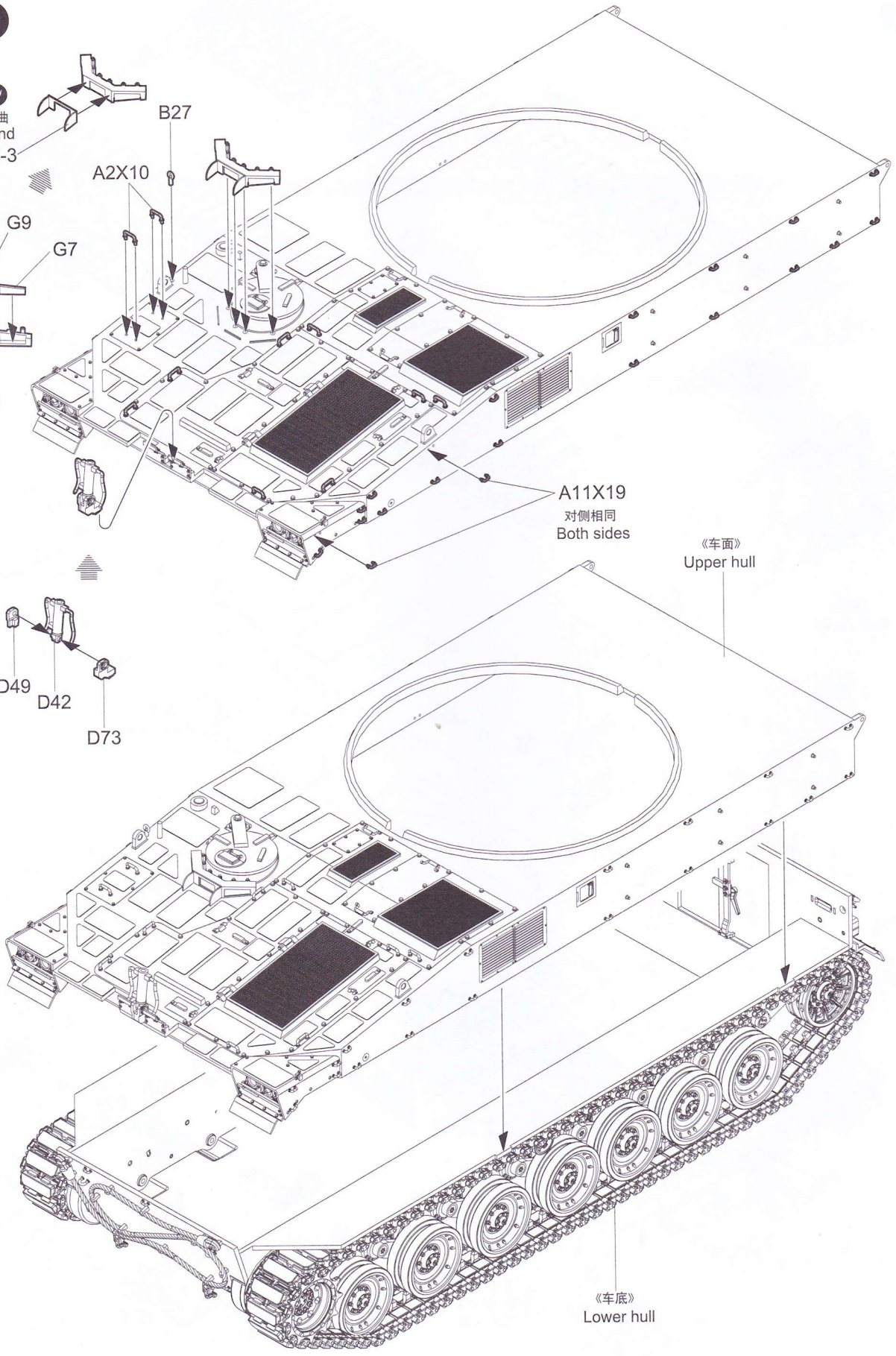
《车面》
Upper hull

D49

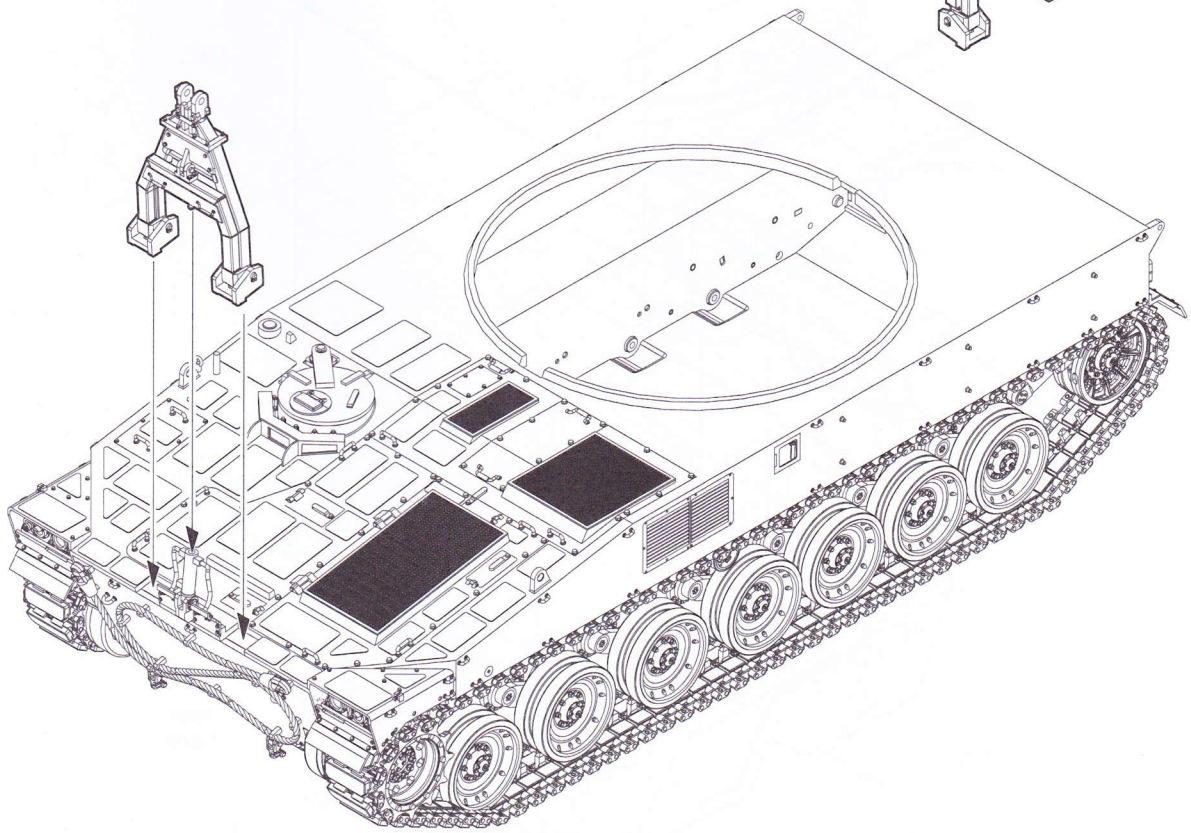
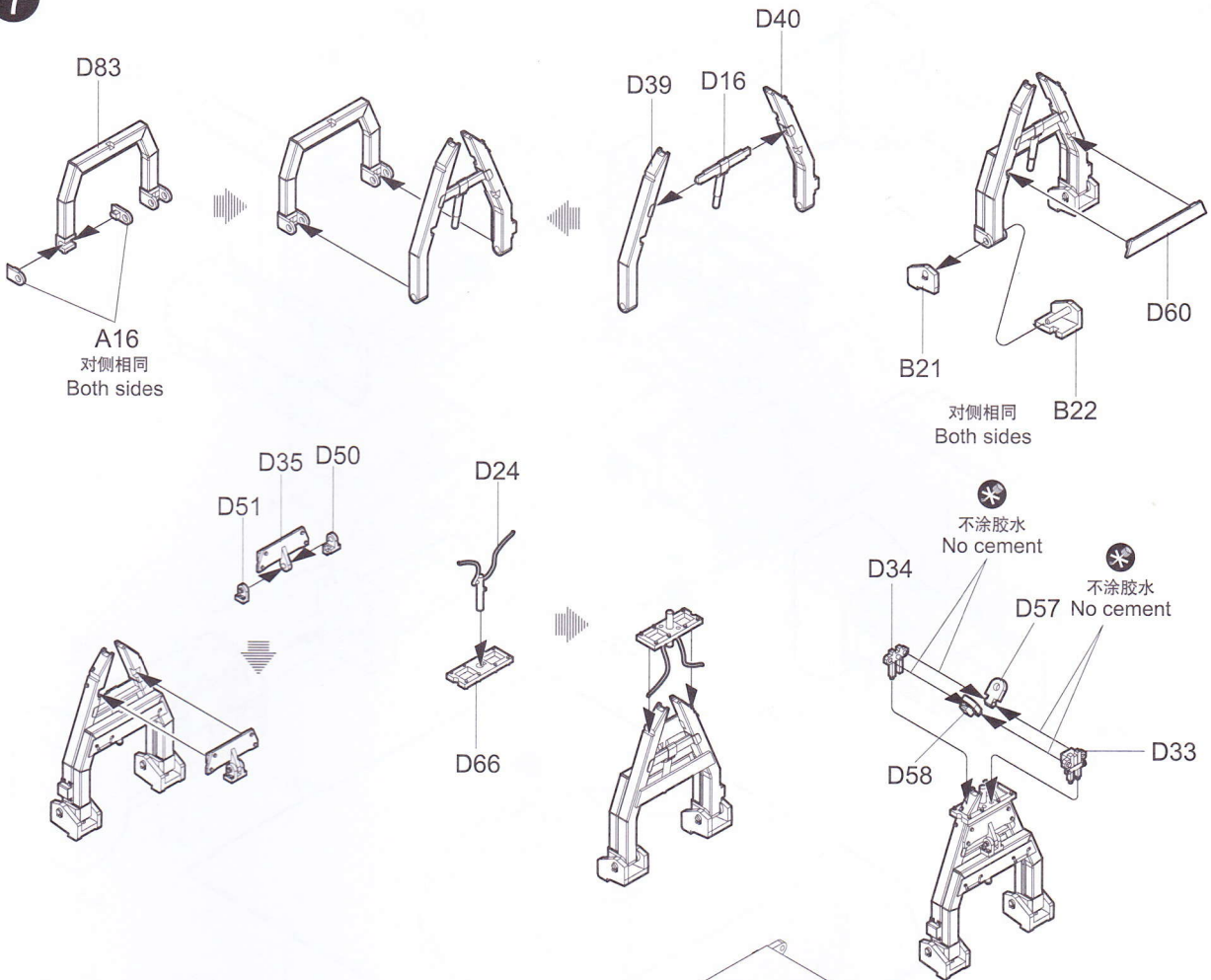
D42

D73

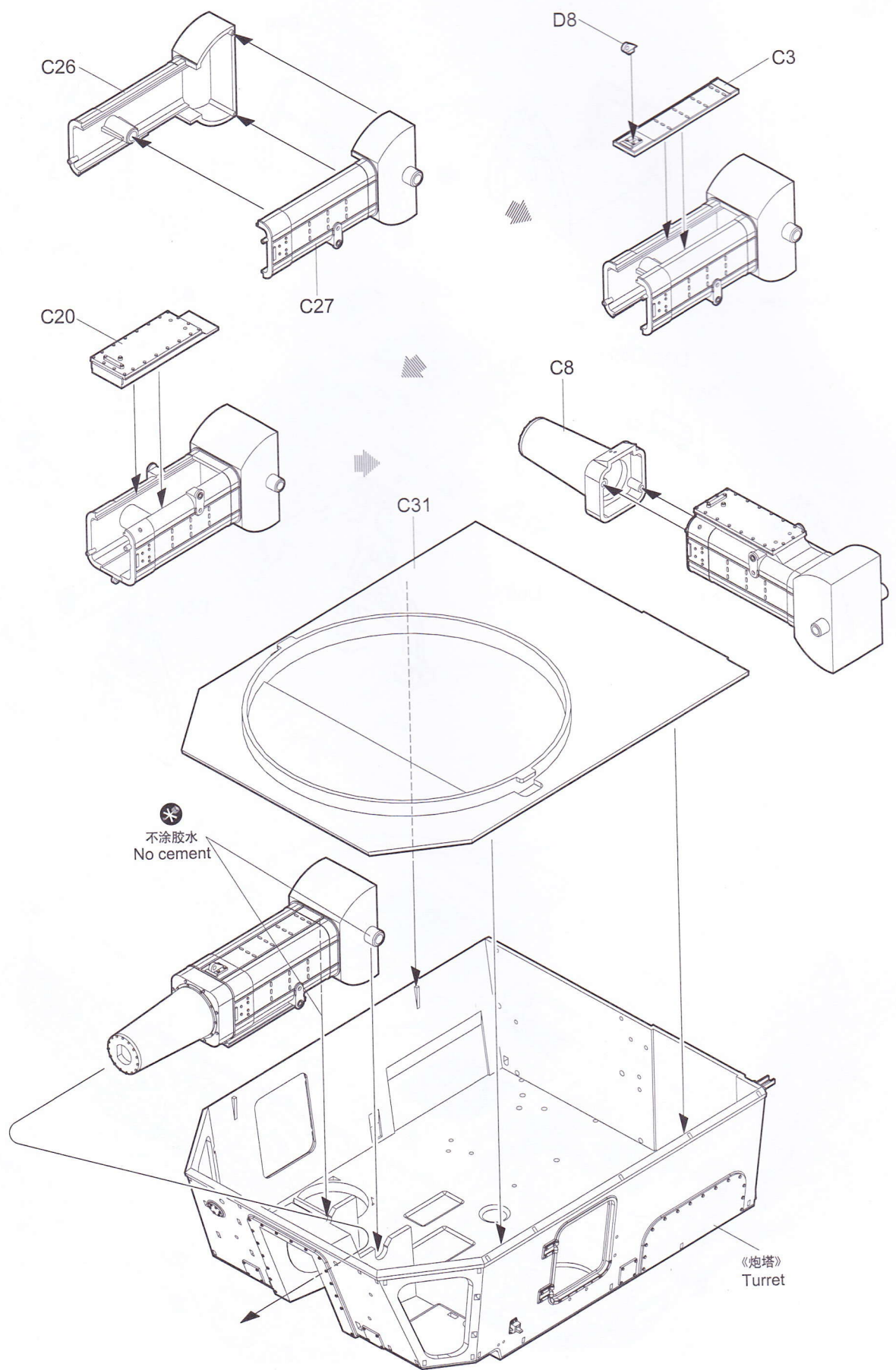
《车底》
Lower hull



7

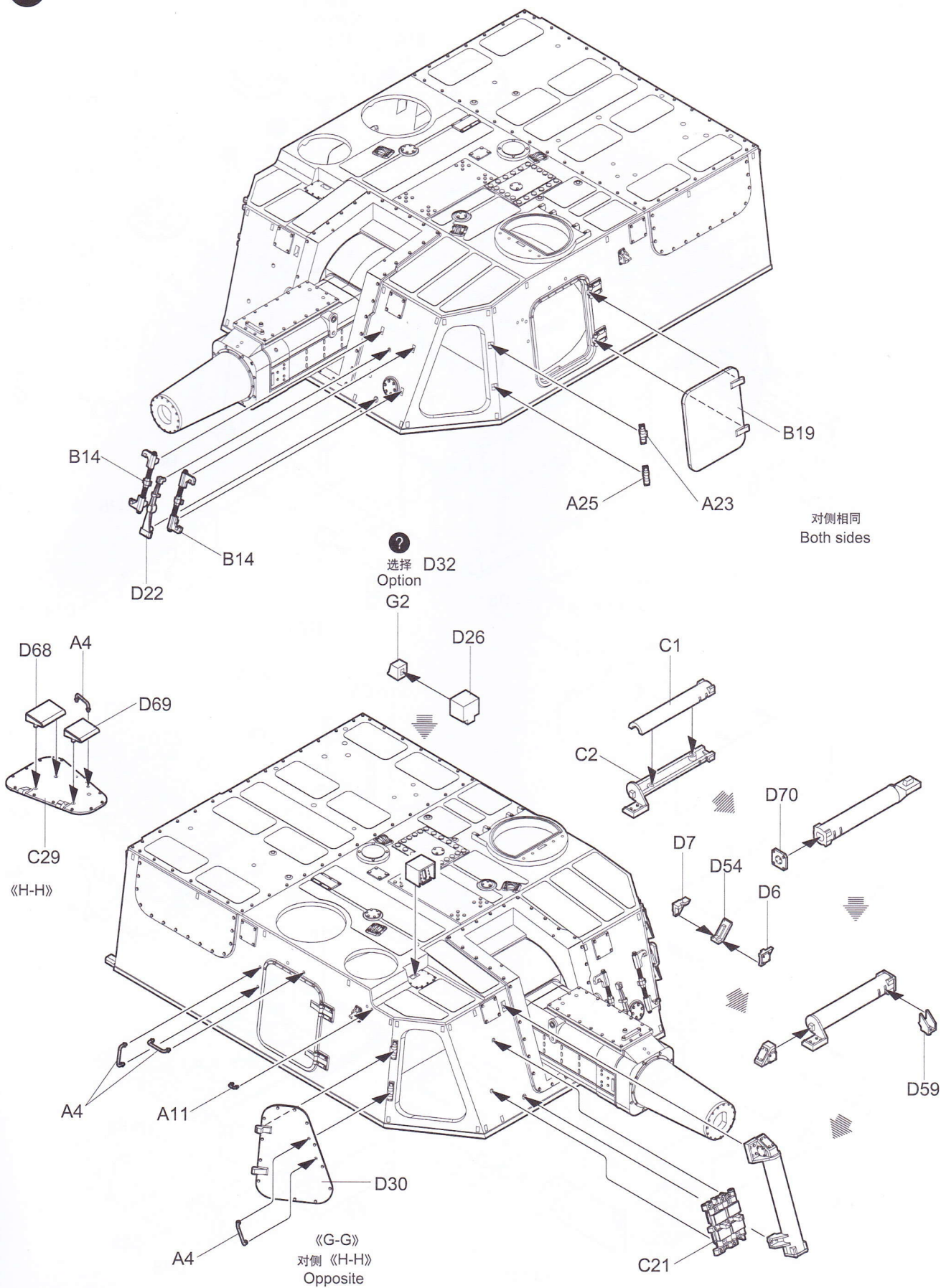


8

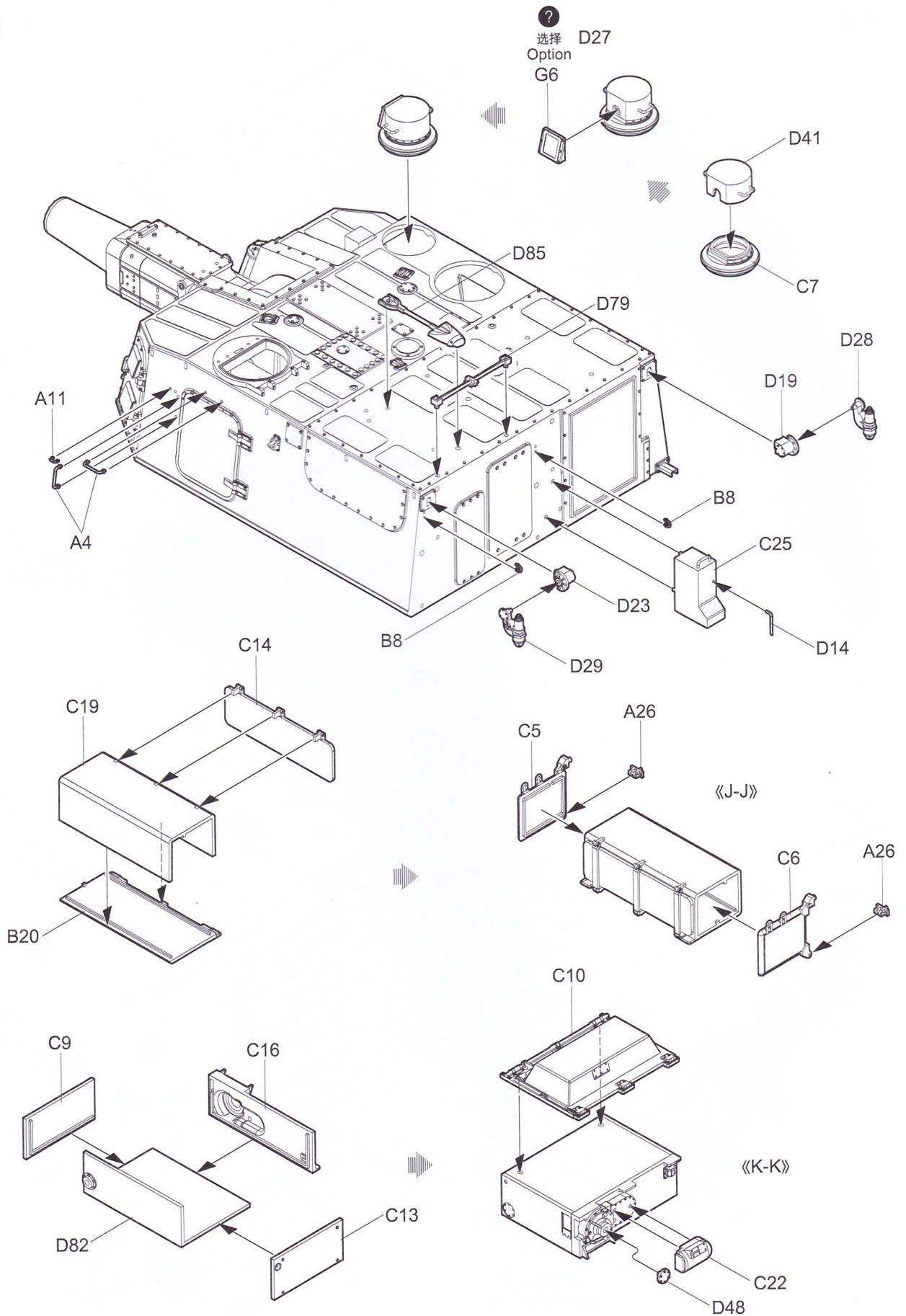


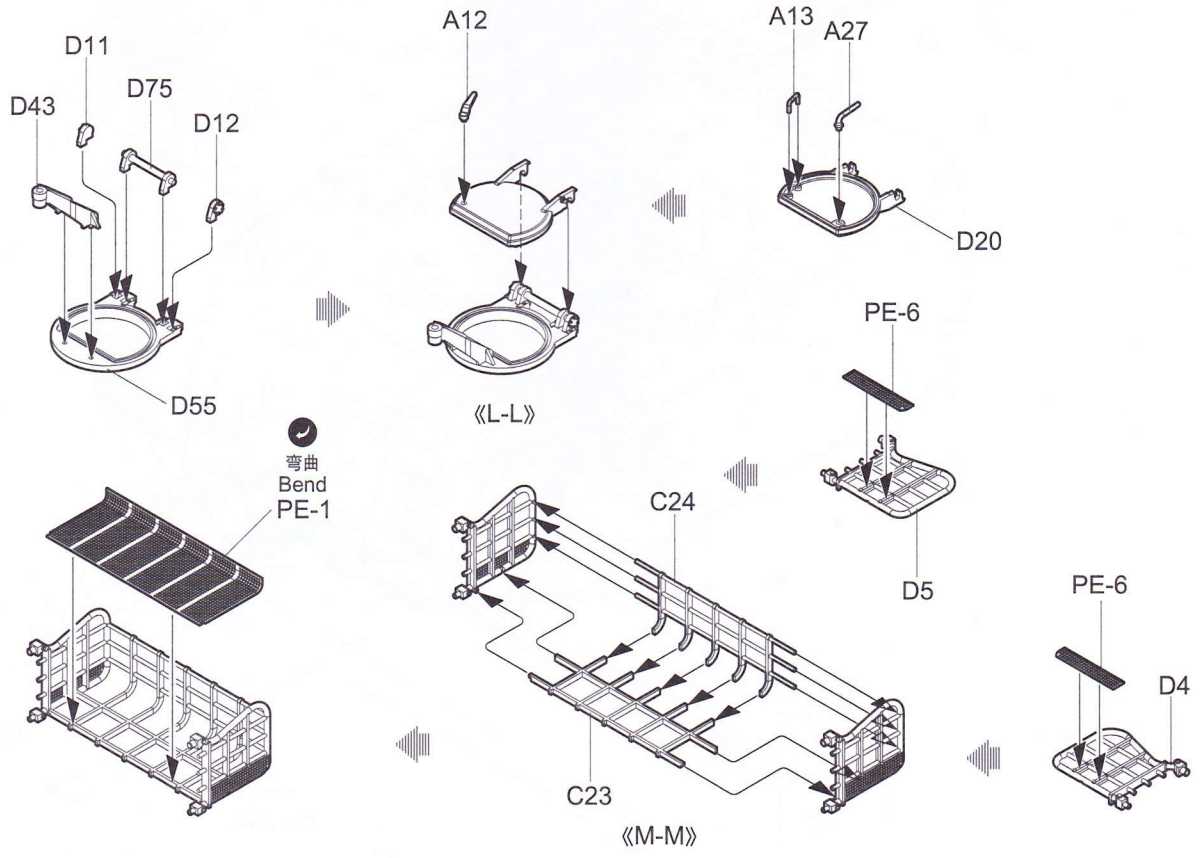
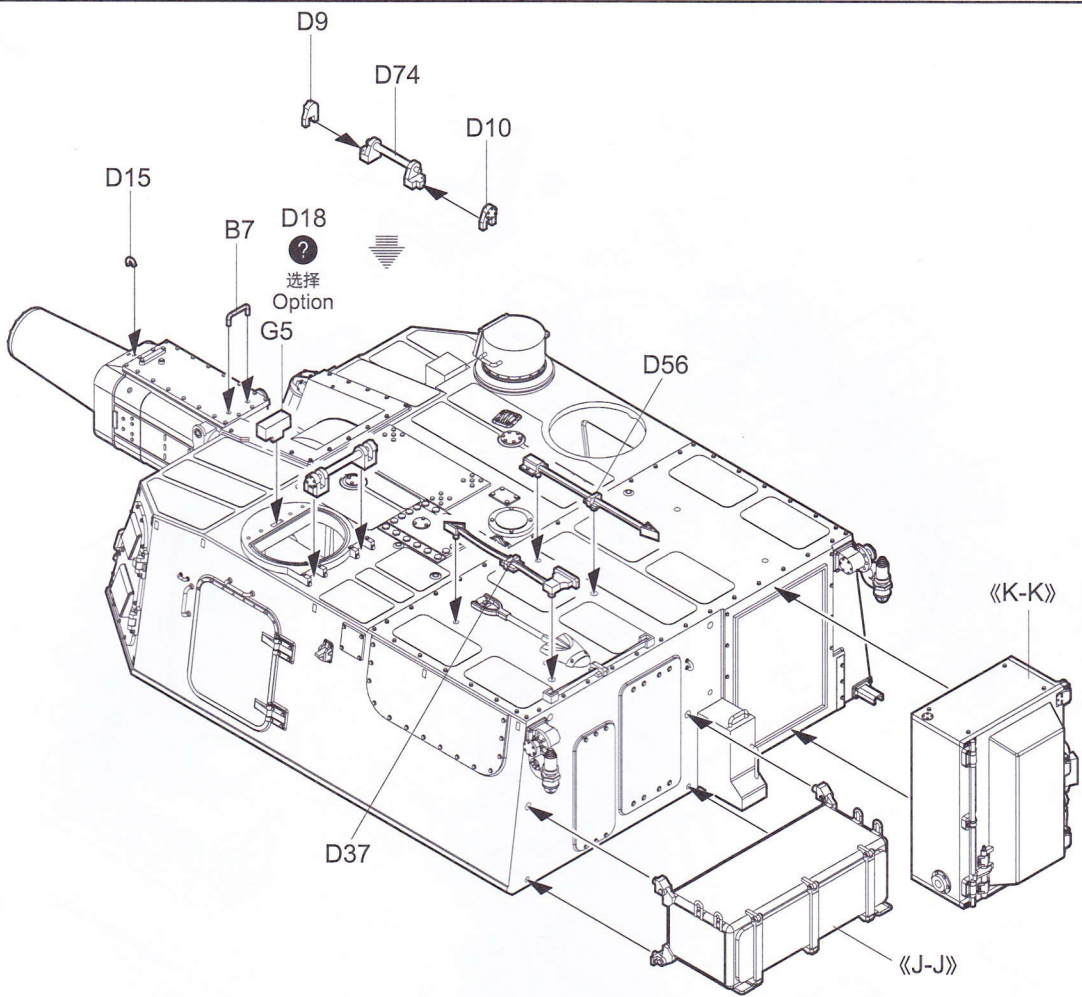
不涂胶水
No cement

«炮塔»
Turret

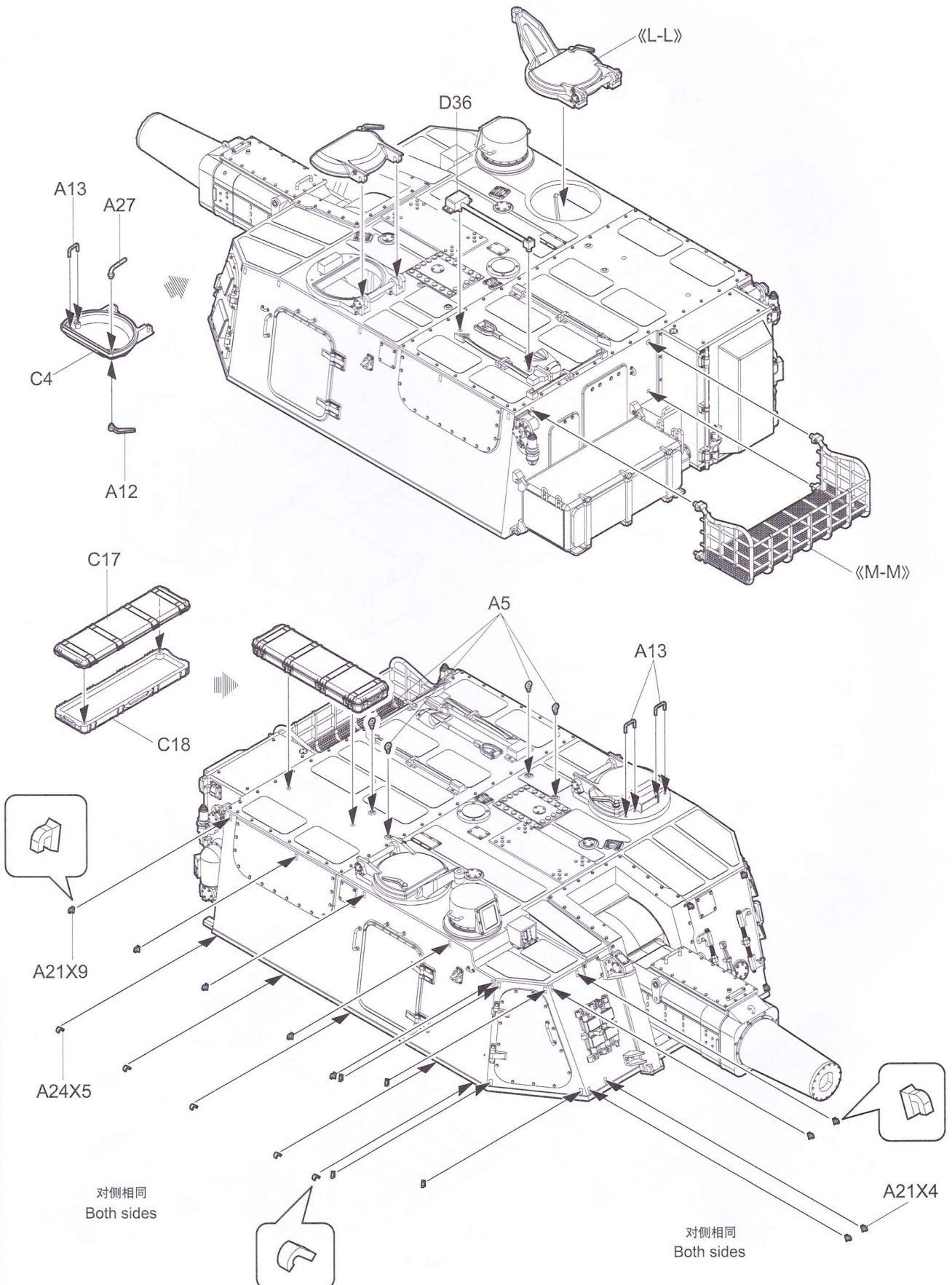


10

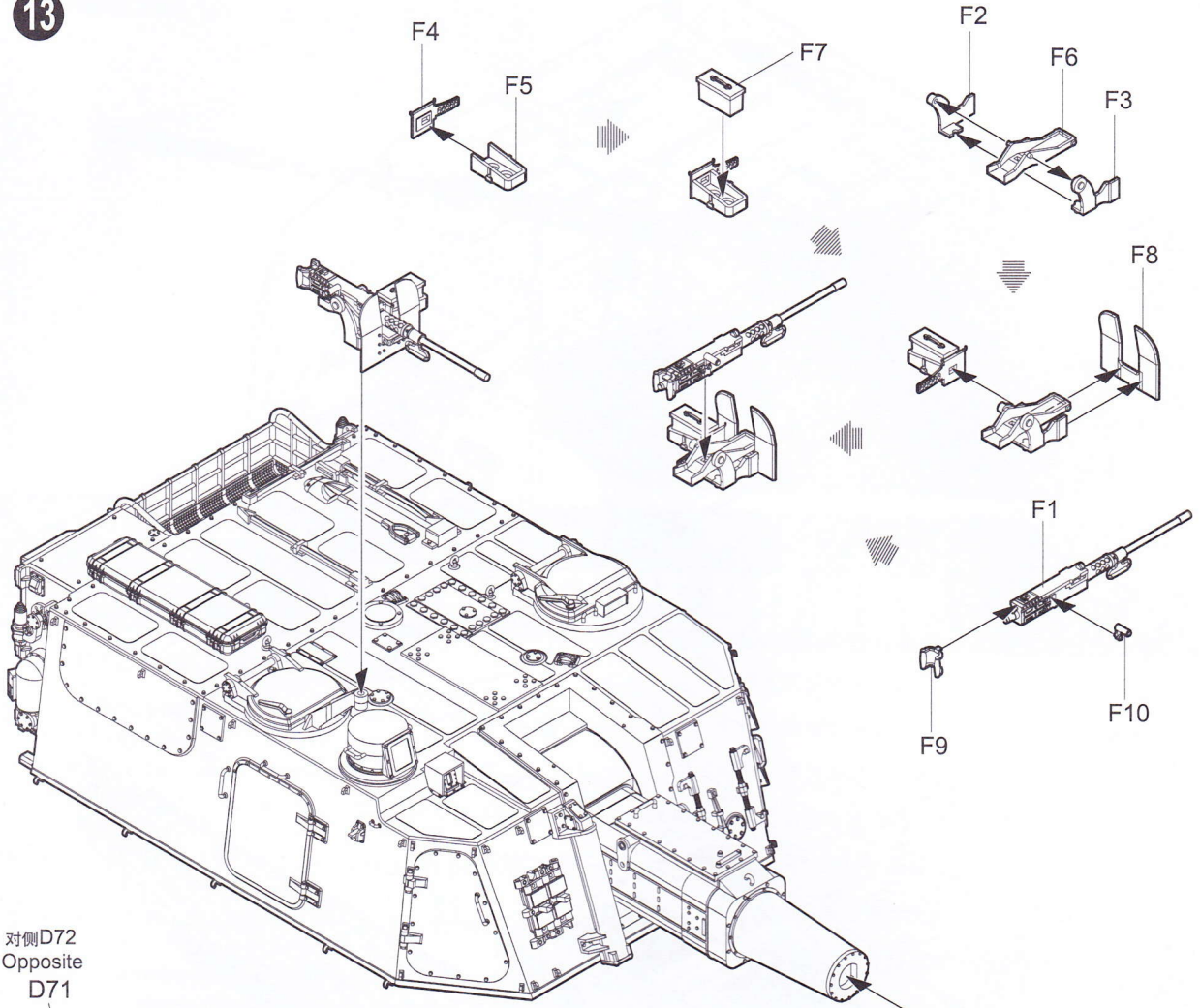




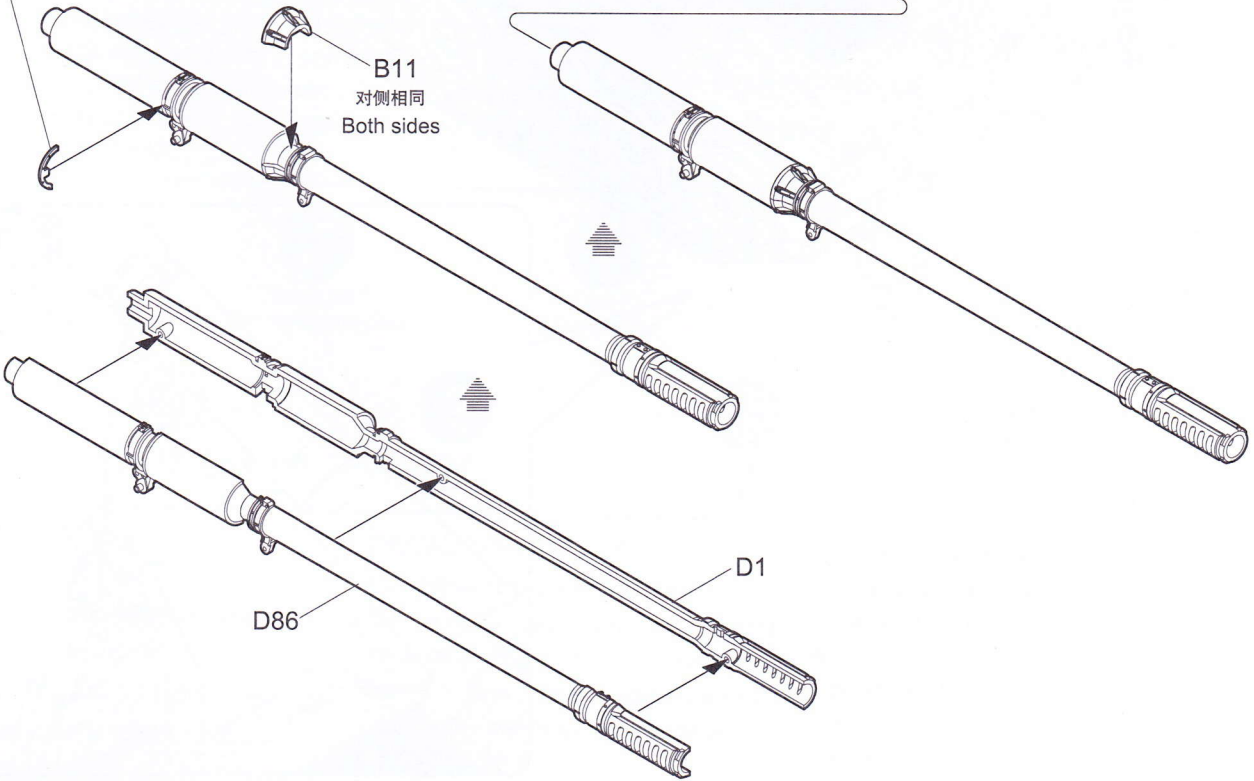
12



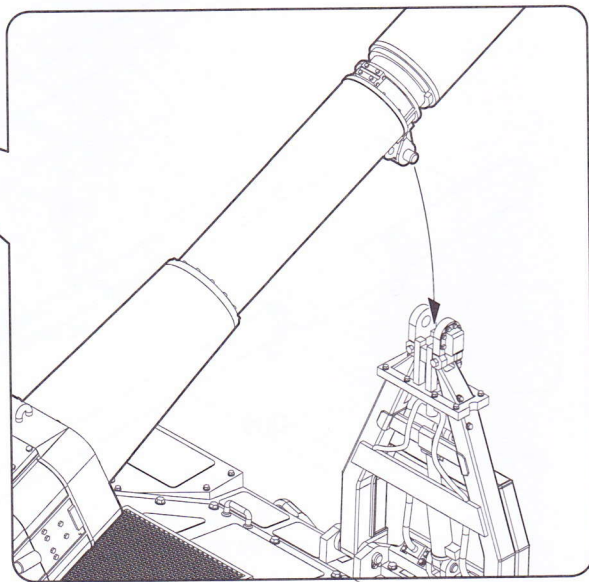
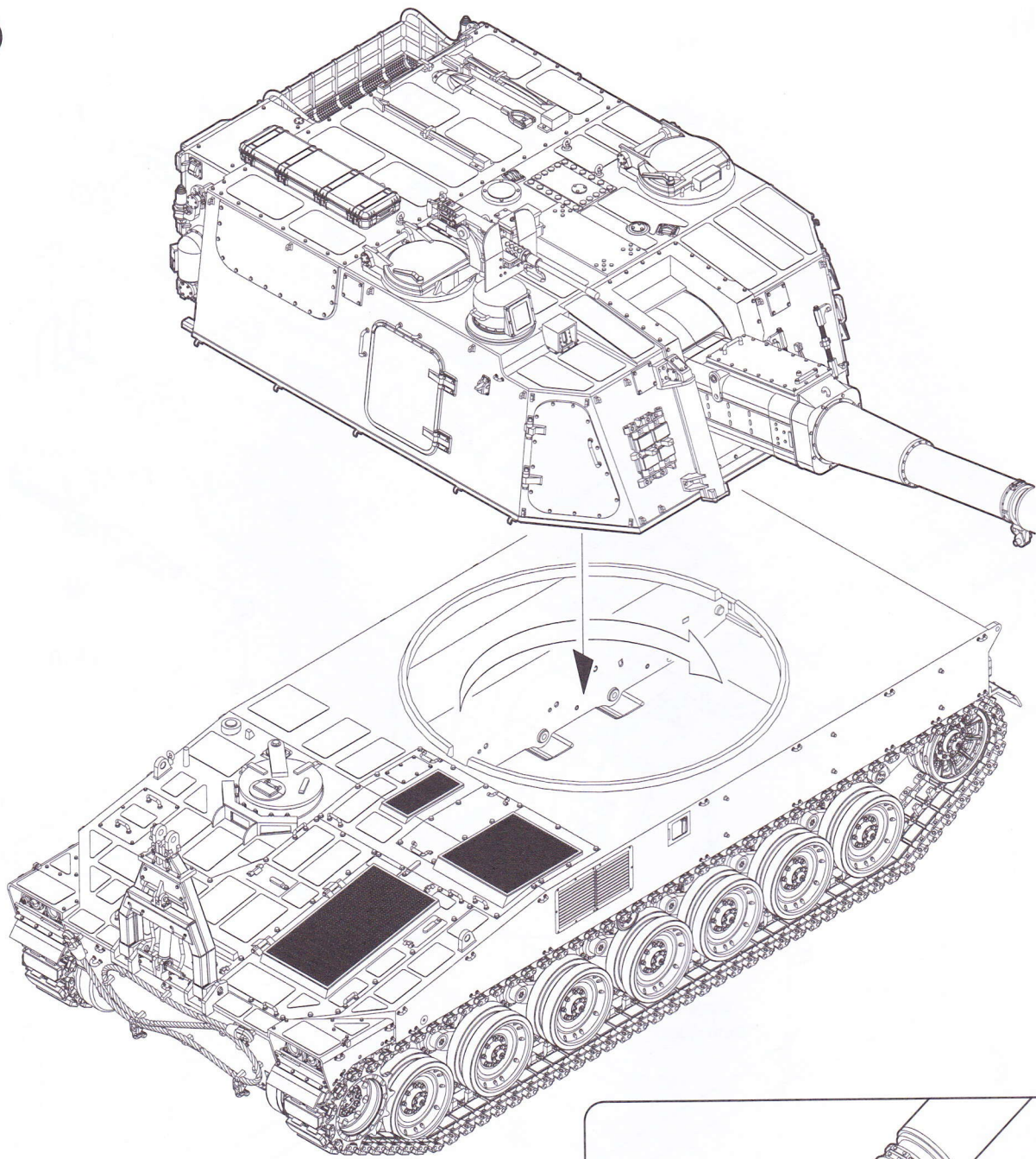
13



对侧D72
Opposite
D71



14



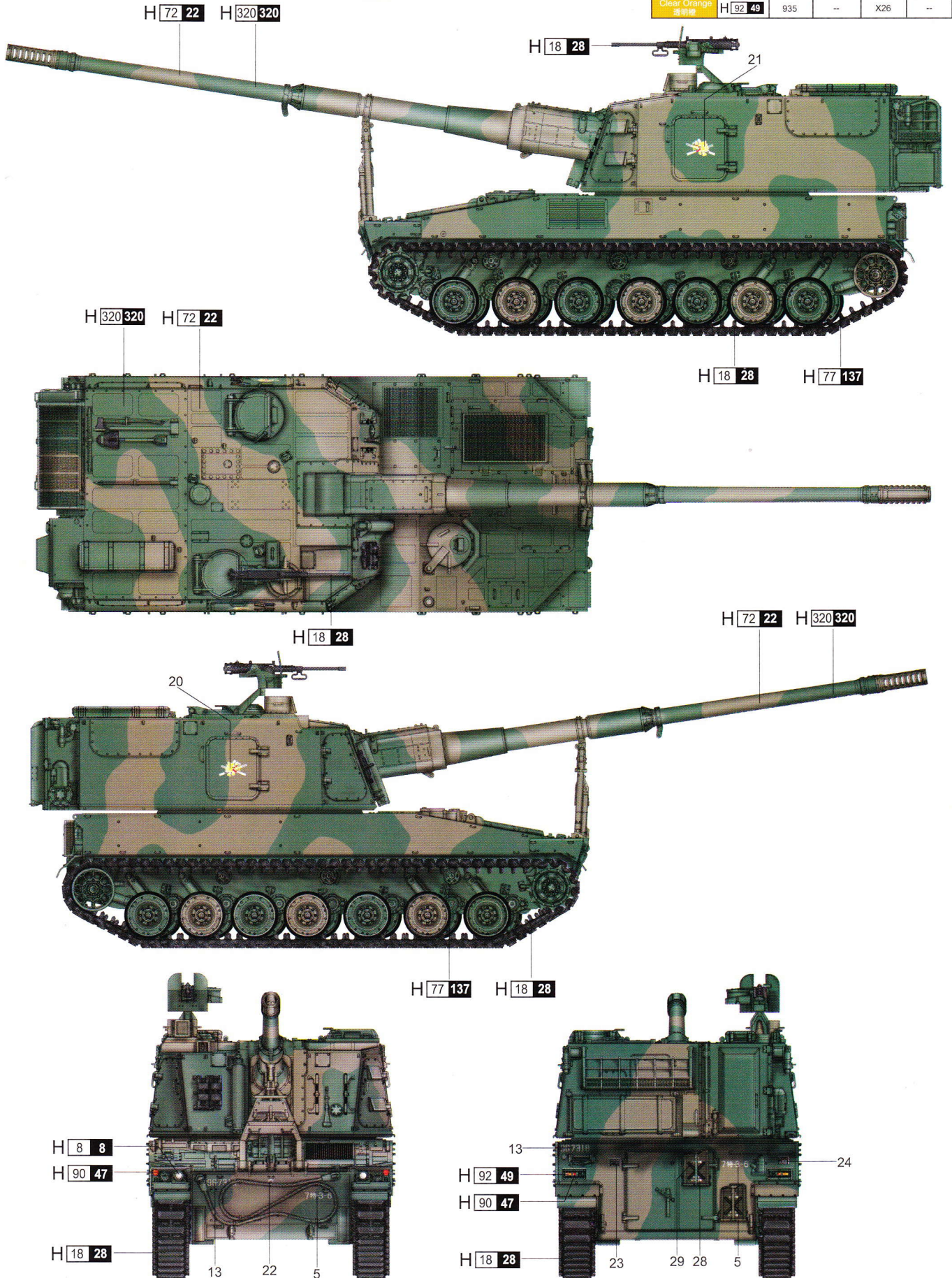
涂装同标贴指示 Painting & Marking guide

PAINT REFERENCE COLOUR

Color	Mr.Hobby	Vallejo	Model Master	Tamiya	Humbrol
Tire Black 胎黑色	H 77 137	--	--	--	--
Dark Green 深松叶色	H 320 320	895	--	XF26	30
Steel (Metal Black) 黑铁色	H 18 28	864	1402	--	--

PAINT REFERENCE COLOUR

Color	Mr.Hobby	Vallejo	Model Master	Tamiya	Humbrol
Silver 银色	H 8 8	997	1546	X11	11
Oak Earth 青木色	H 72 22	873	1702	XF52	29
Clear Red 透明红	H 90 47	934	--	X27	--
Clear Orange 透明橙	H 92 49	935	--	X26	--



H AQUEOUS HOBBY COLOR ■ Mr. COLOR