

俄罗斯S-65拖拉机

Russian ChTZ S-65 Tractor

READ BEFORE ASSEMBLY:

- Study and understand these instructions thoroughly before beginning assembly
- When needed, remove photo-etch parts carefully using a modeling knife or photo etch sprue cutter, being careful not to damage or lose small parts.
- Take extra care in handling photo etch parts in order to avoid injury
- Apply instant cement sparingly to photo etch parts where instructed
- Tools recommended(not included in kit):Plastic and instant cements, sprue cutters,long nose pliers,modeling knife, small files, tweezers, pin vise & scissors. Soft cloth and sandpaper will also assist in construction
- Glue and paint are not included in the kit. Use plastic cement and hobby paints only. Color guide for purchasing paint is included in the kit.

装配之前仔细阅读

- 小心用模型锉刀锉平所有零件表面的注射浇口。
- 小心用刀片切下蚀刻片零件，不要遗失小零件。
- 用强力快干胶水粘合蚀刻片零件和金属轴。过量快干胶水使用可能导致可动零件会粘住，小心涂胶。
- 取蚀刻片时应特别注意安全，防止利边划伤手指。
- 某些零件表面需贴上水贴纸，请选择在装配的同时进行。
- 推荐模型工具(自备)：胶水，水口剪刀，长咀钳，刀片，锉刀，镊子，钳，钻，剪刀，瞬间快干胶。
- 软布同砂纸同时也应该是必备工具。
- 请使用塑料胶水和油漆，模型内不含。



配重
Weight



使用强力胶
Cyanoacrylate glue



钻孔
Make hole



切除
Cut / Remove



贴纸
Decal



锉平
File / Sand



选择
Option



不涂胶水
No cement



弯曲
Bend

水贴纸的使用:

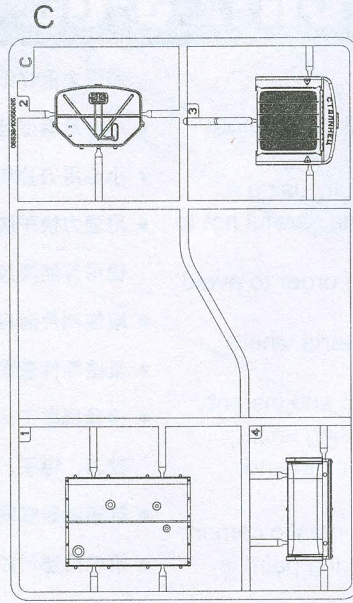
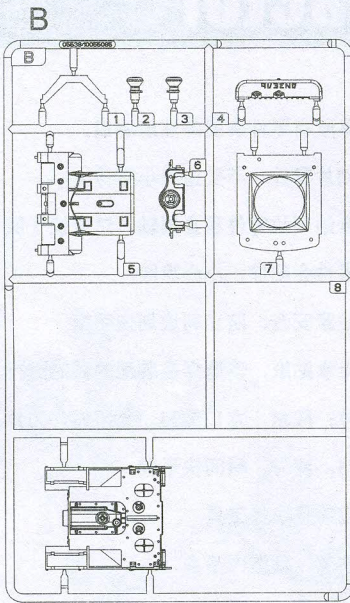
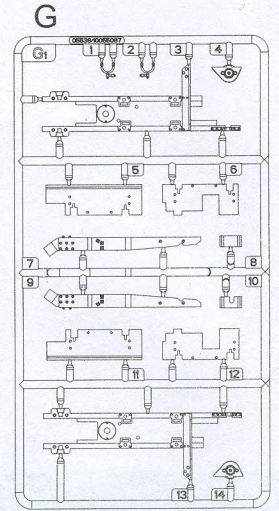
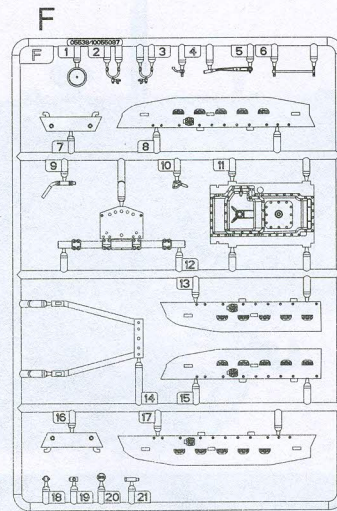
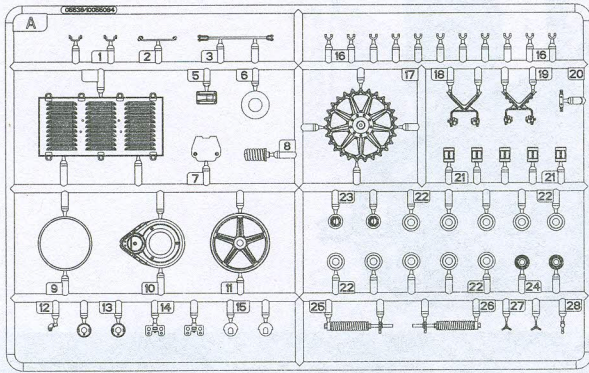
- 1.从水贴纸上剪下印花;
- 2.将印花放入温水中浸10秒,然后放在干净布上。
- 3.拿着印花纸板将印花移到模型上;
- 4.手指蘸水将印花移到适当的位置;
- 5.用软布轻压印花直至水干, 气泡消失

DECAL APPLICATION

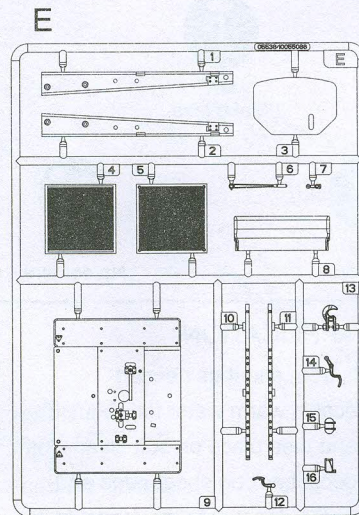
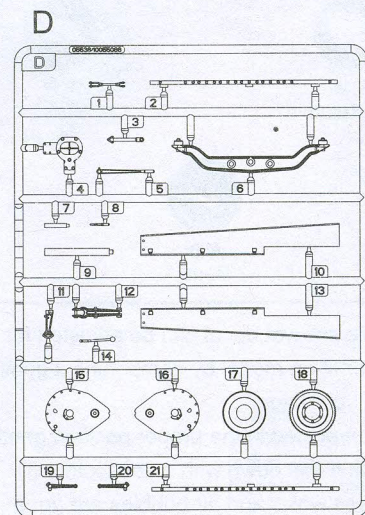
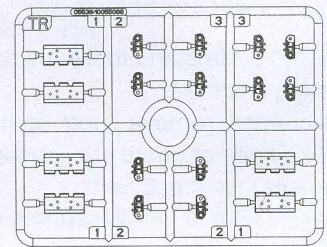
- 1.Cut decals from sheet as needed
- 2.Dip the decal in warm water for about 10 seconds and then place on soft clean cloth.
- 3.Hold the decal backing sheet edge and gently slide the decal onto the model in its proper position.
- 4.While still wet,decal can be adjusted for better fit on model by dampening it gently with your finger.
- 5.When placed in the proper position,gently press decal down with a soft cloth until excess water and air bubbles are gone.
- 6.Allow decal to dry completely before handling model

部品图
Parts

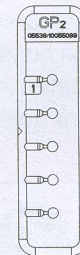
AX2



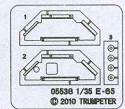
TRX13



GP



《蚀刻片》
PE

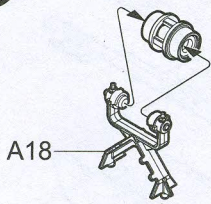


《水贴》
Decal



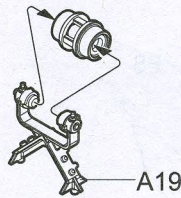
1

《托带轮I》
Support roller I



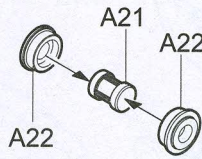
制作2组
Make two

《托带轮II》
Support roller II



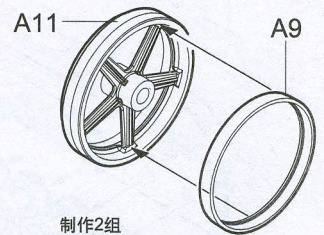
制作2组
Make two

《负重轮》
Road wheels



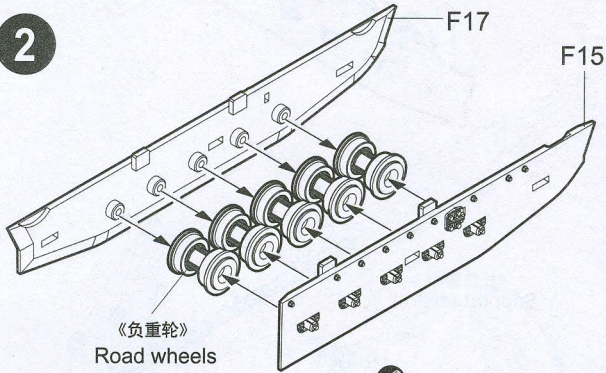
制作10组
Make ten

《诱导轮》
Ldler wheels

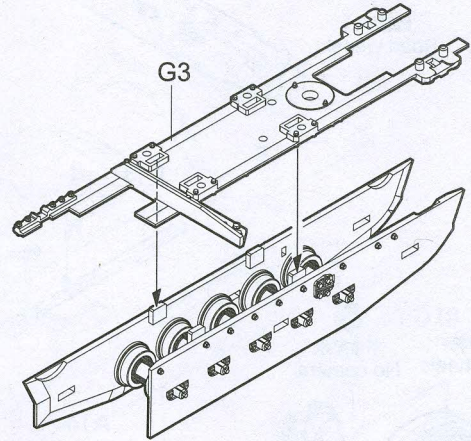


制作2组
Make two

2



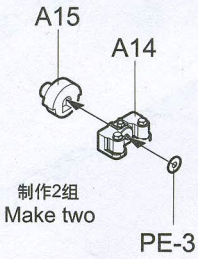
《负重轮》
Road wheels



《诱导轮》
Ldler wheels

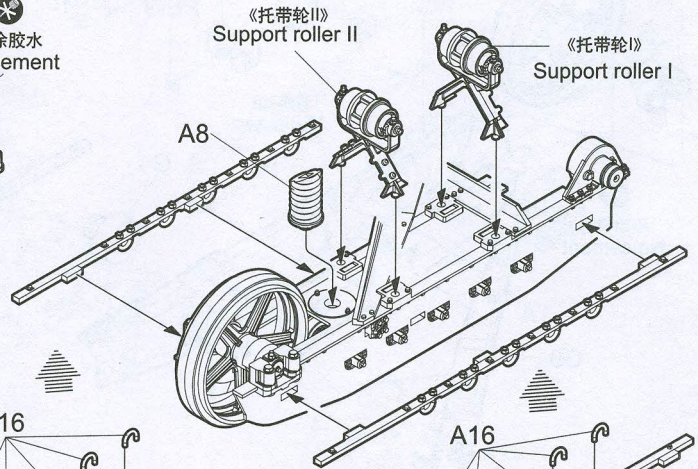
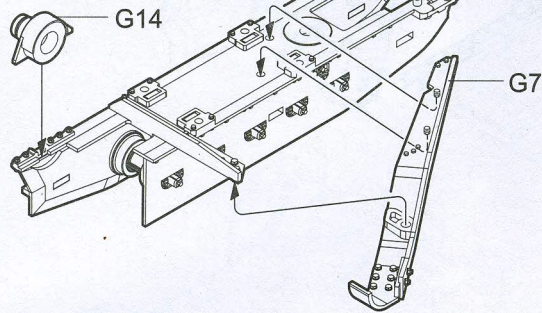
不涂胶水
No cement

不涂胶水
No cement



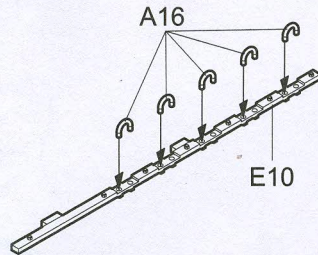
制作2组
Make two

PE-3



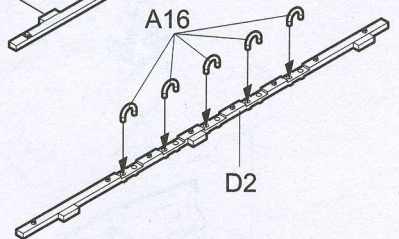
《托带轮II》
Support roller II

《托带轮I》
Support roller I



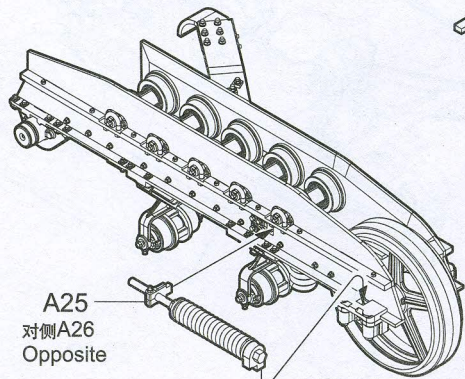
A16

E10

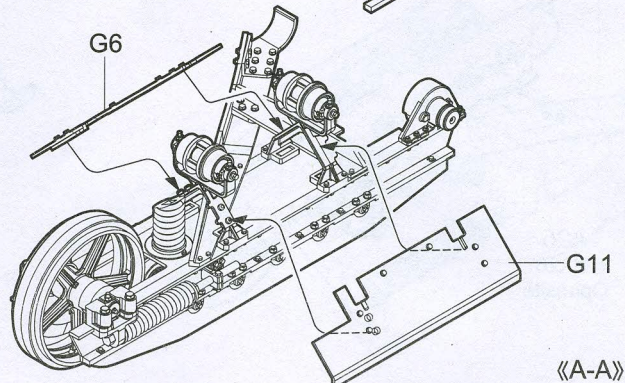


A16

D2

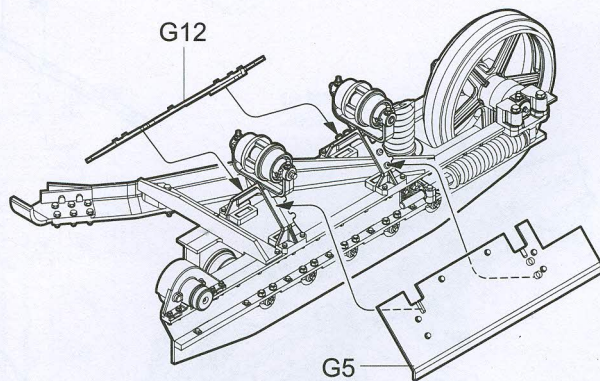
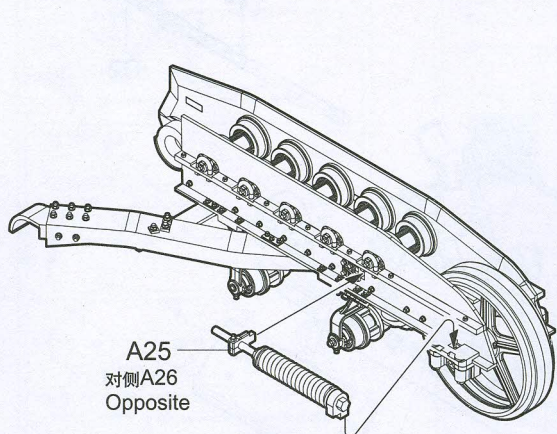
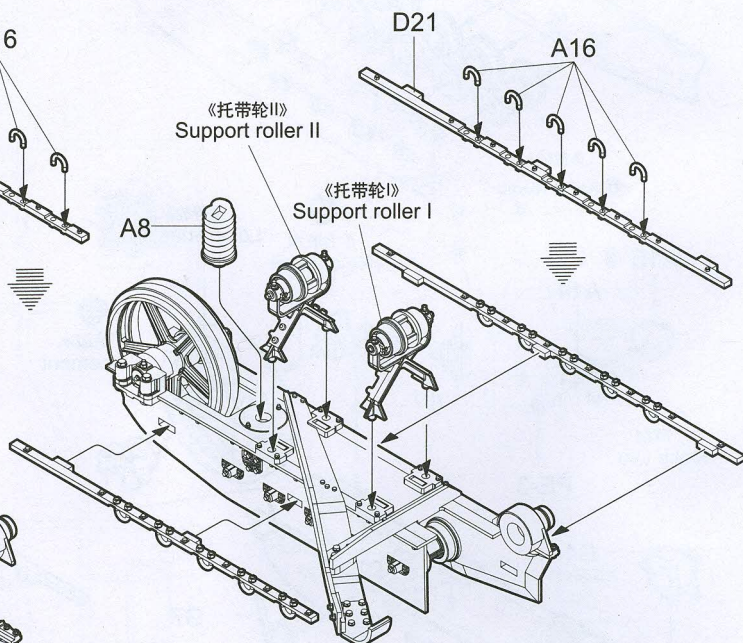
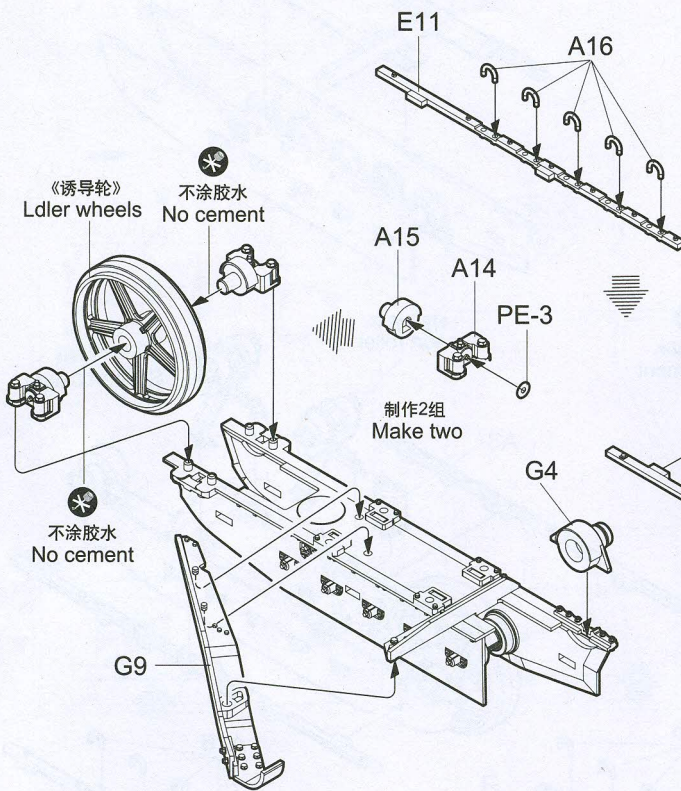
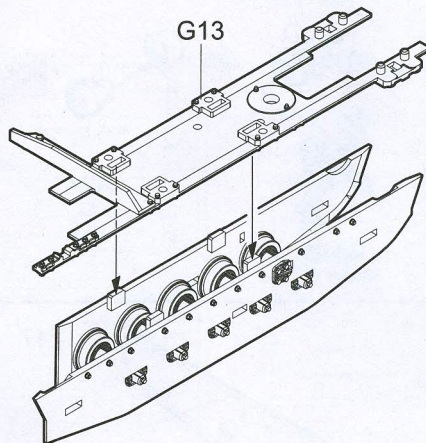
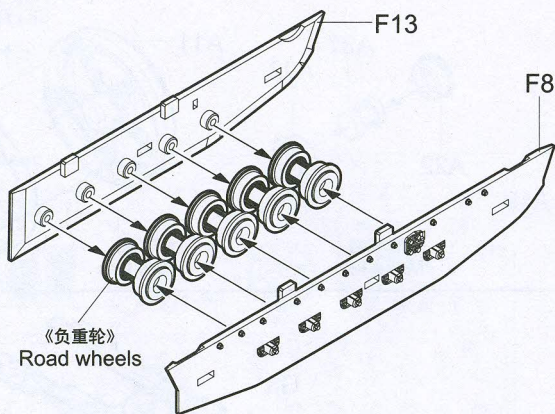


A25
对侧A26
Opposite



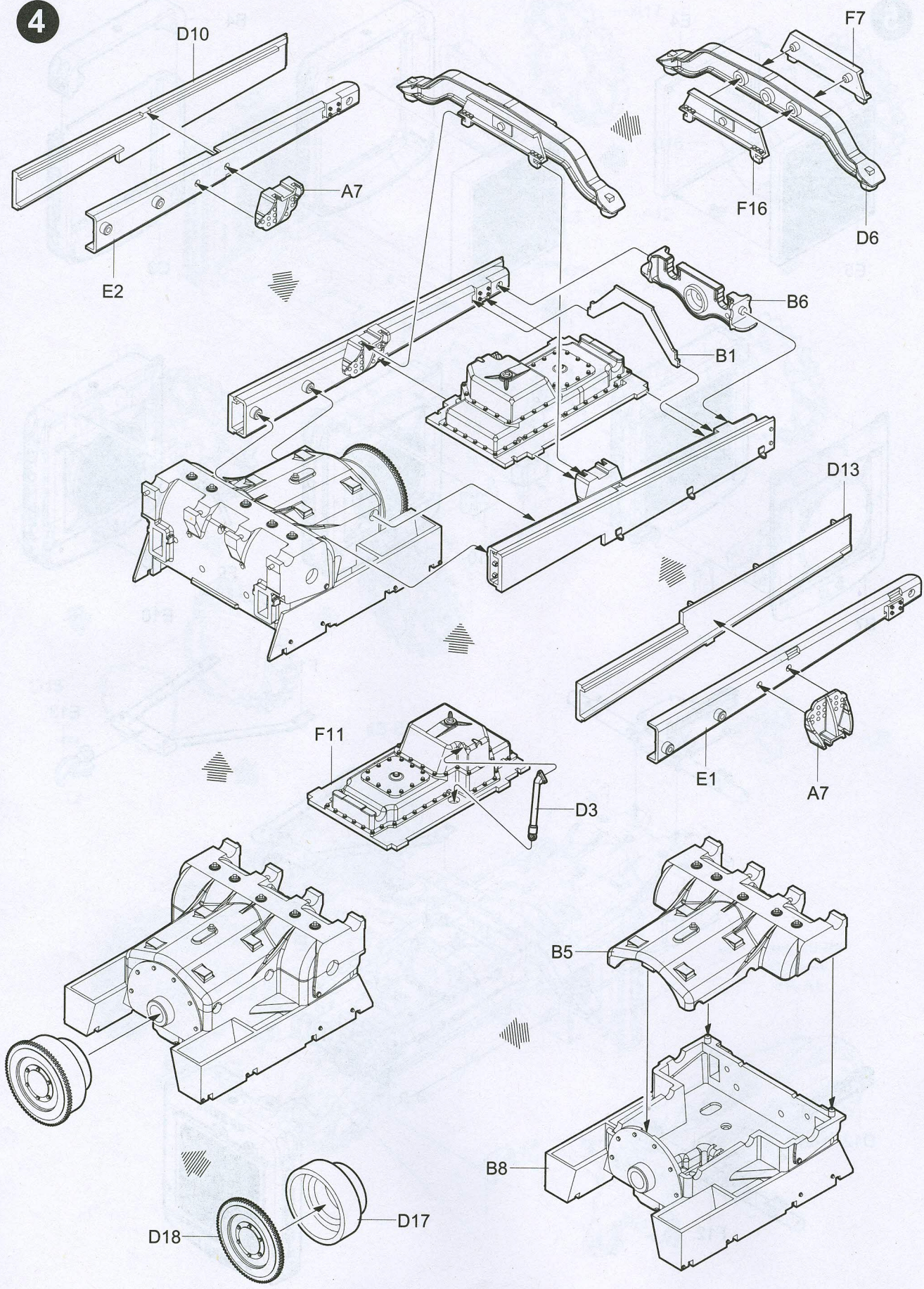
《A-A》

3

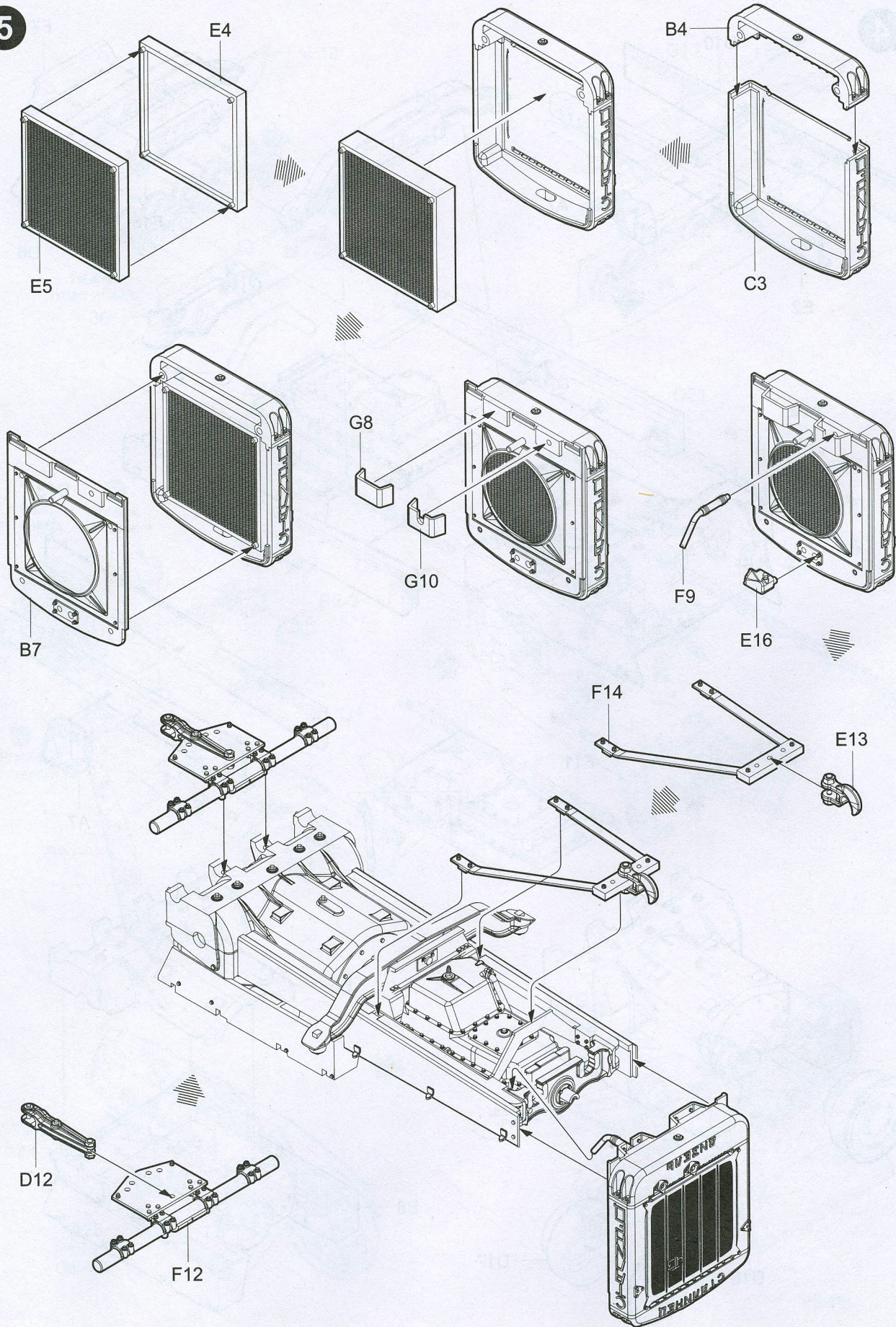


《B-B》

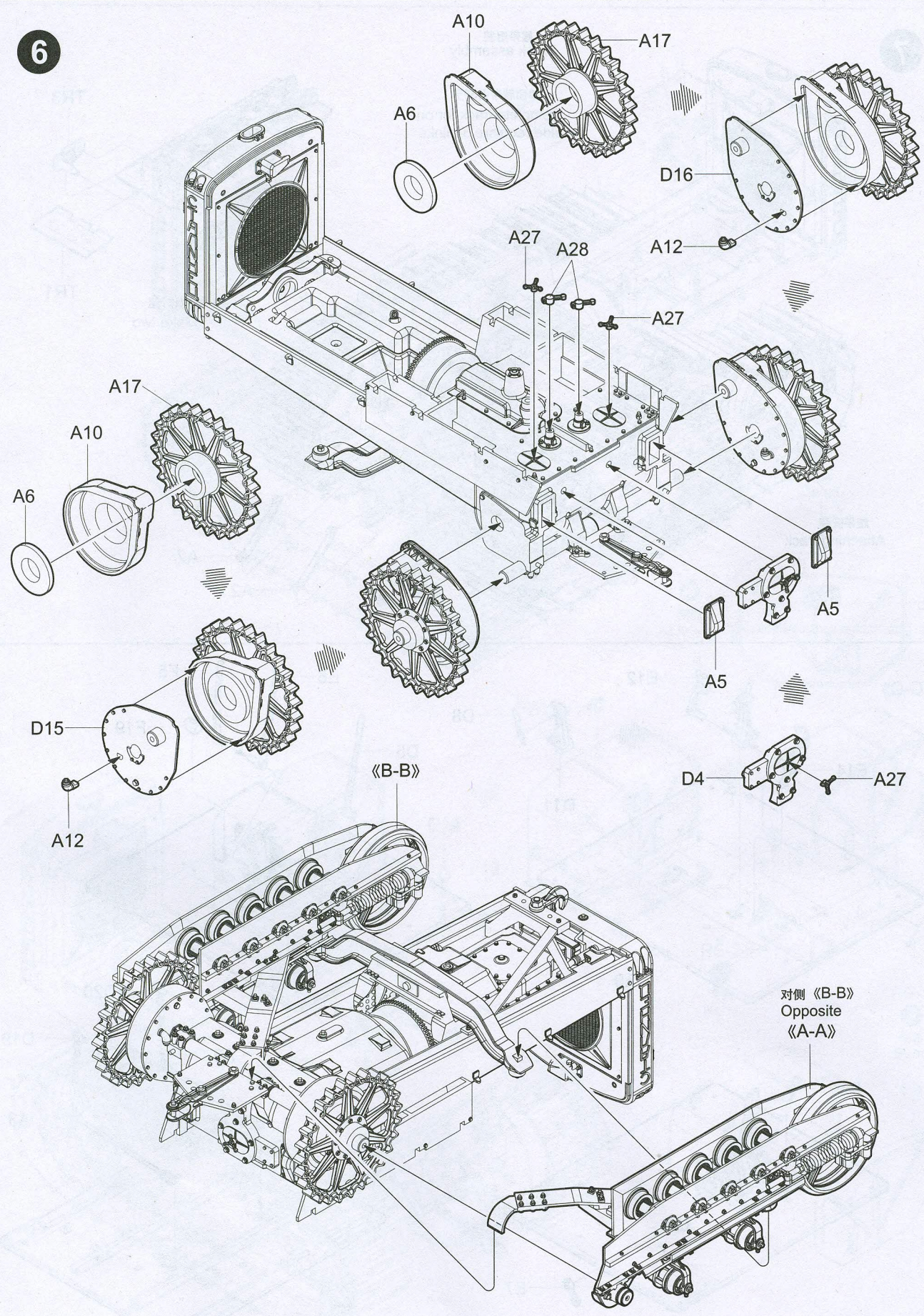
4



5



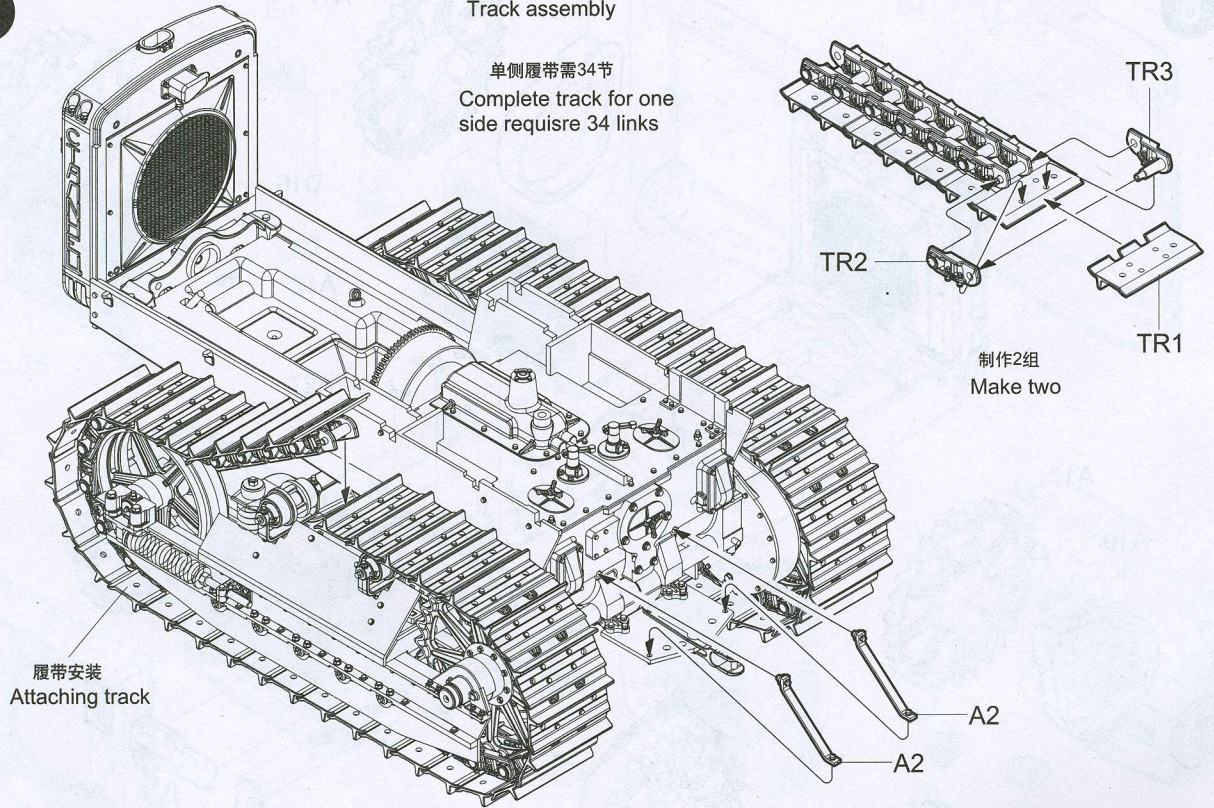
6



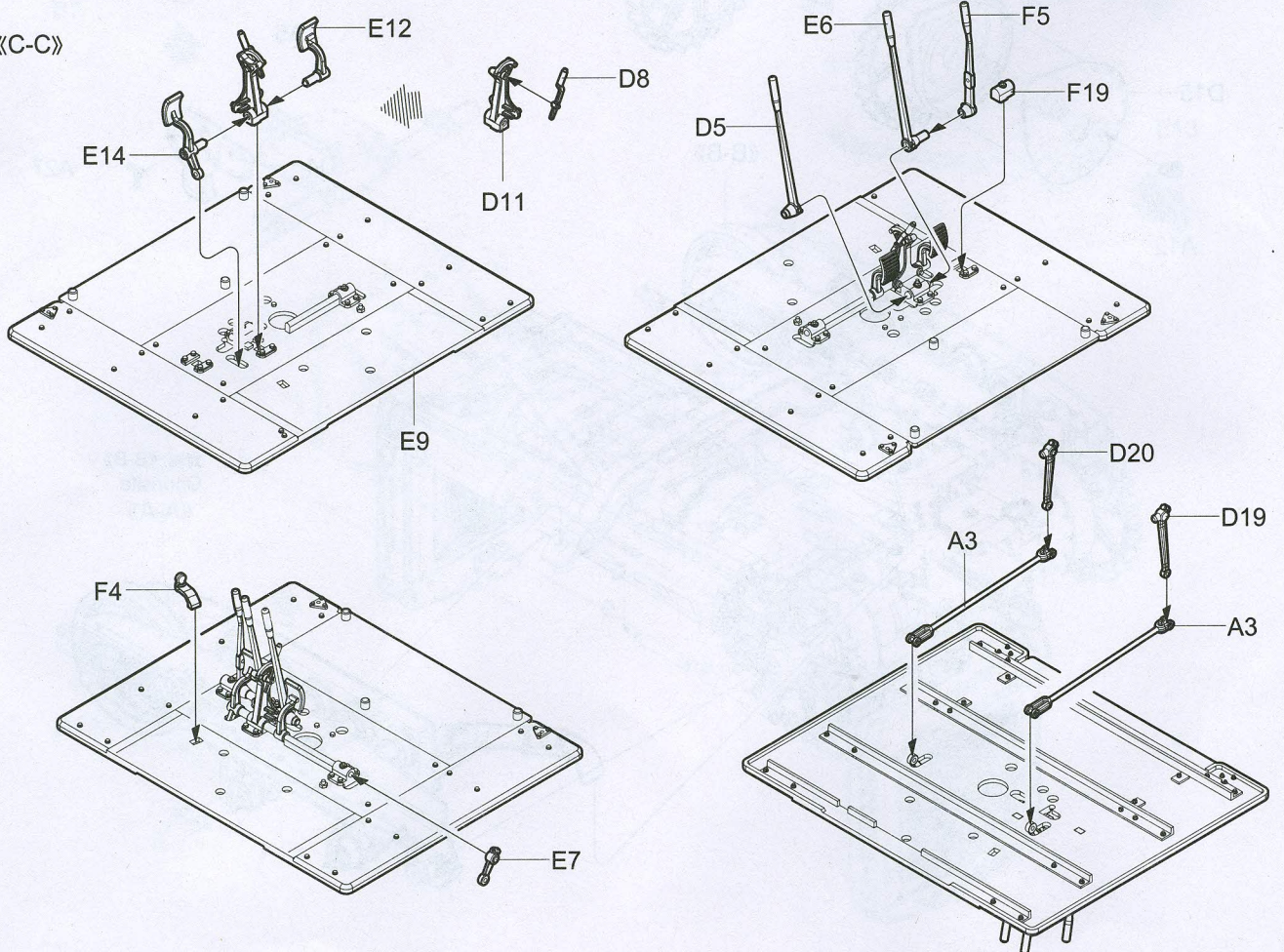
7

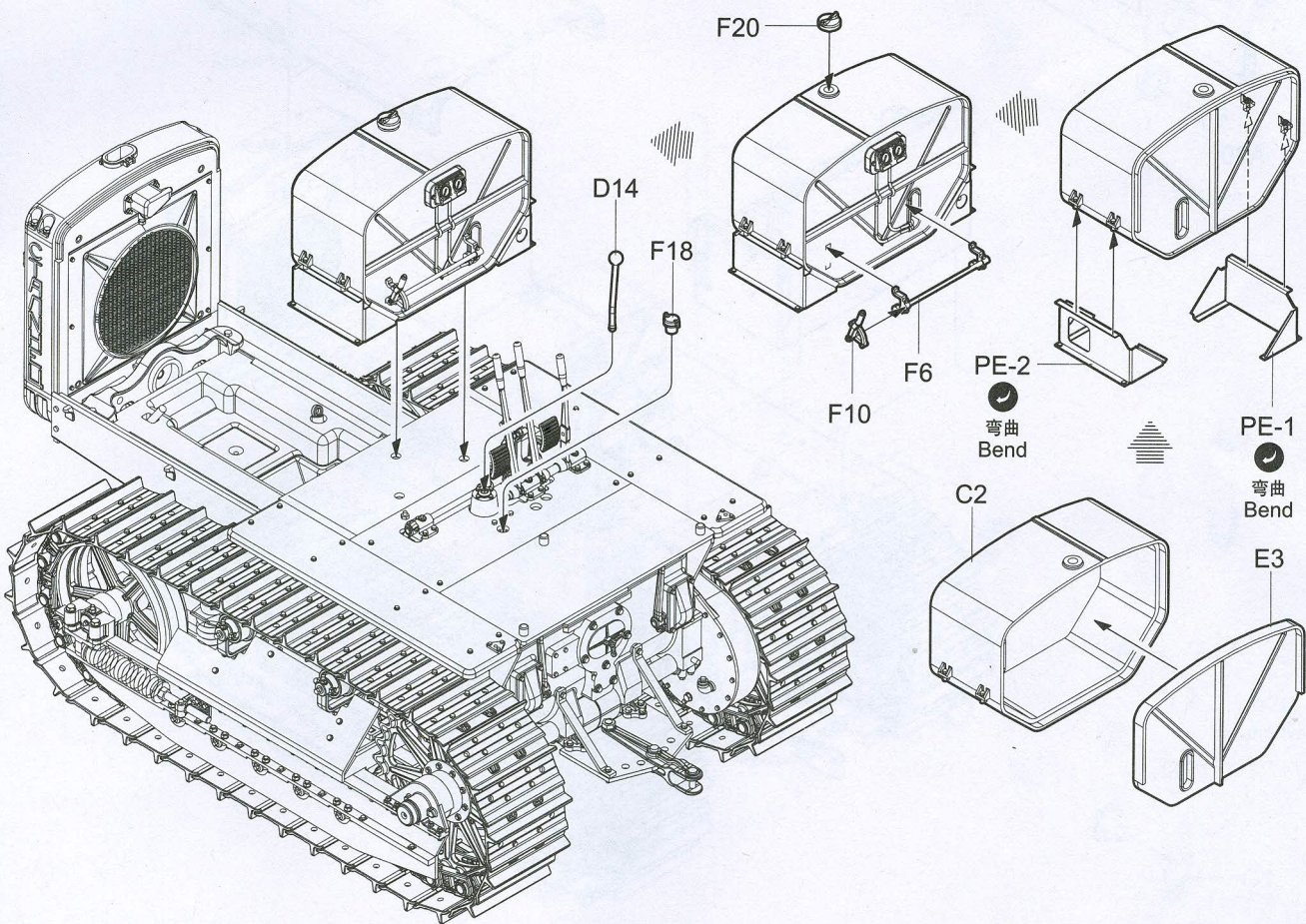
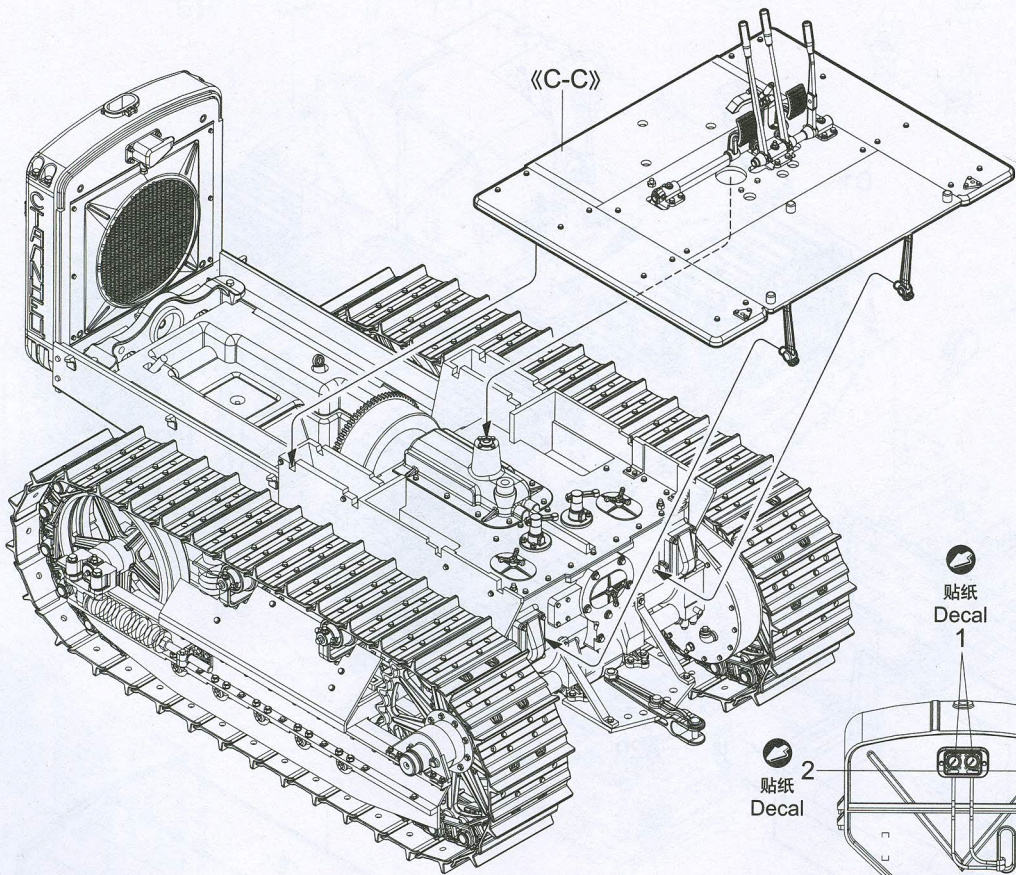
履带组装
Track assembly

单侧履带需34节
Complete track for one
side require 34 links

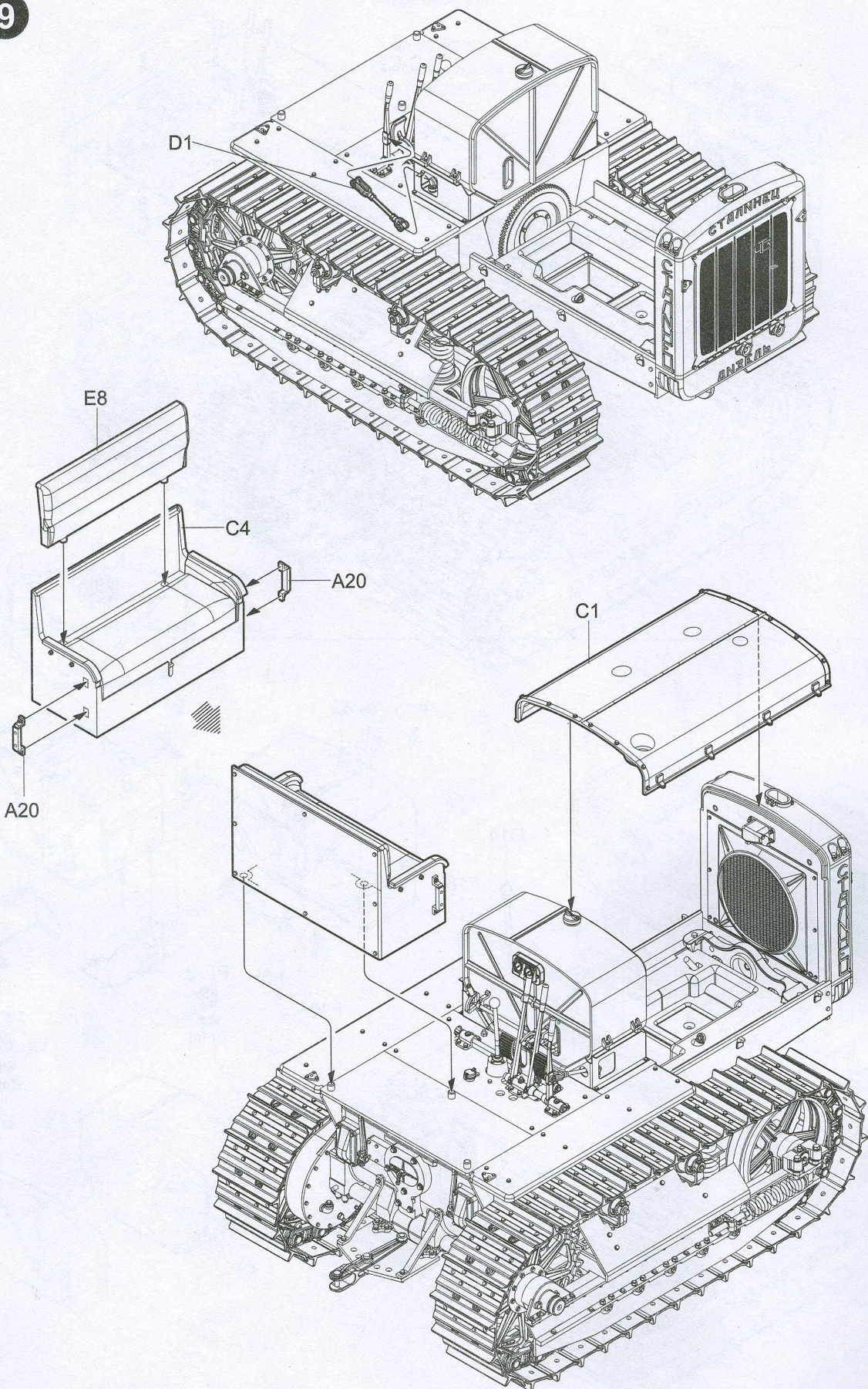


《C-C》

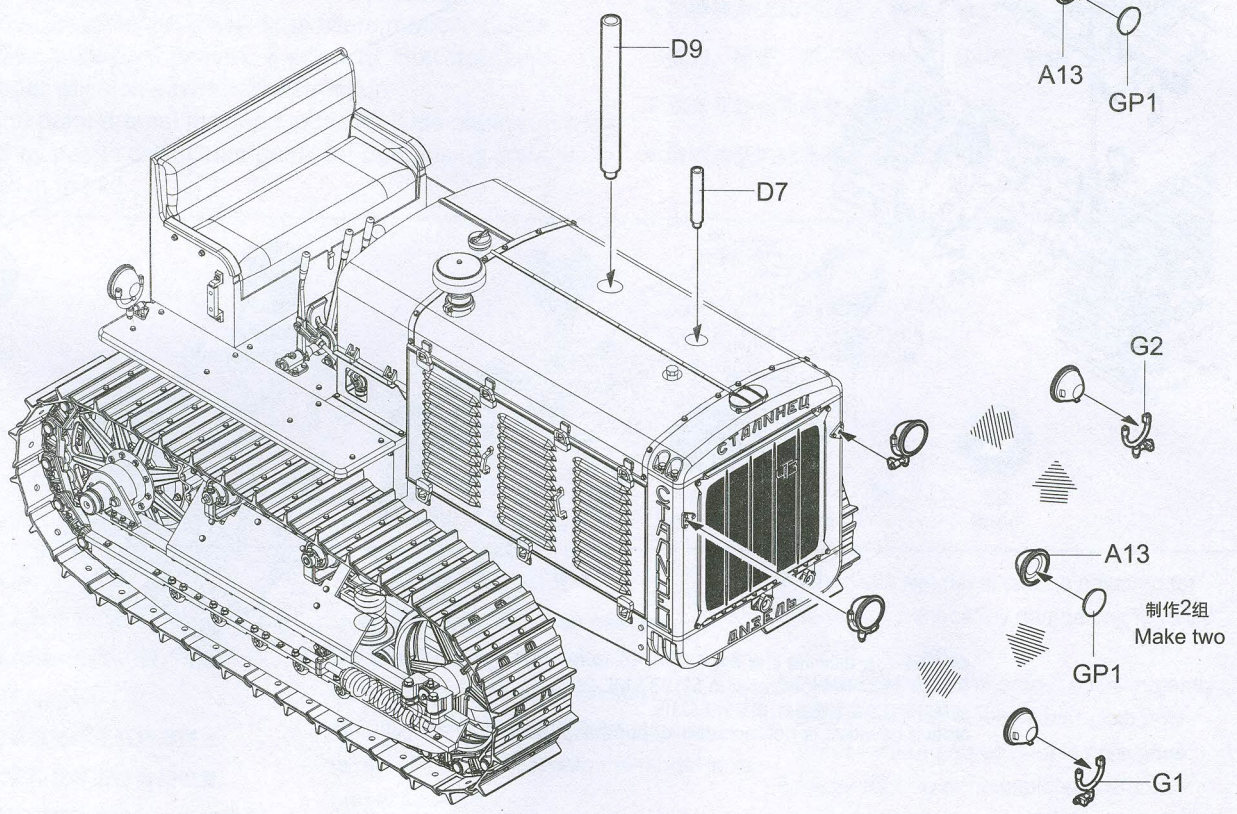
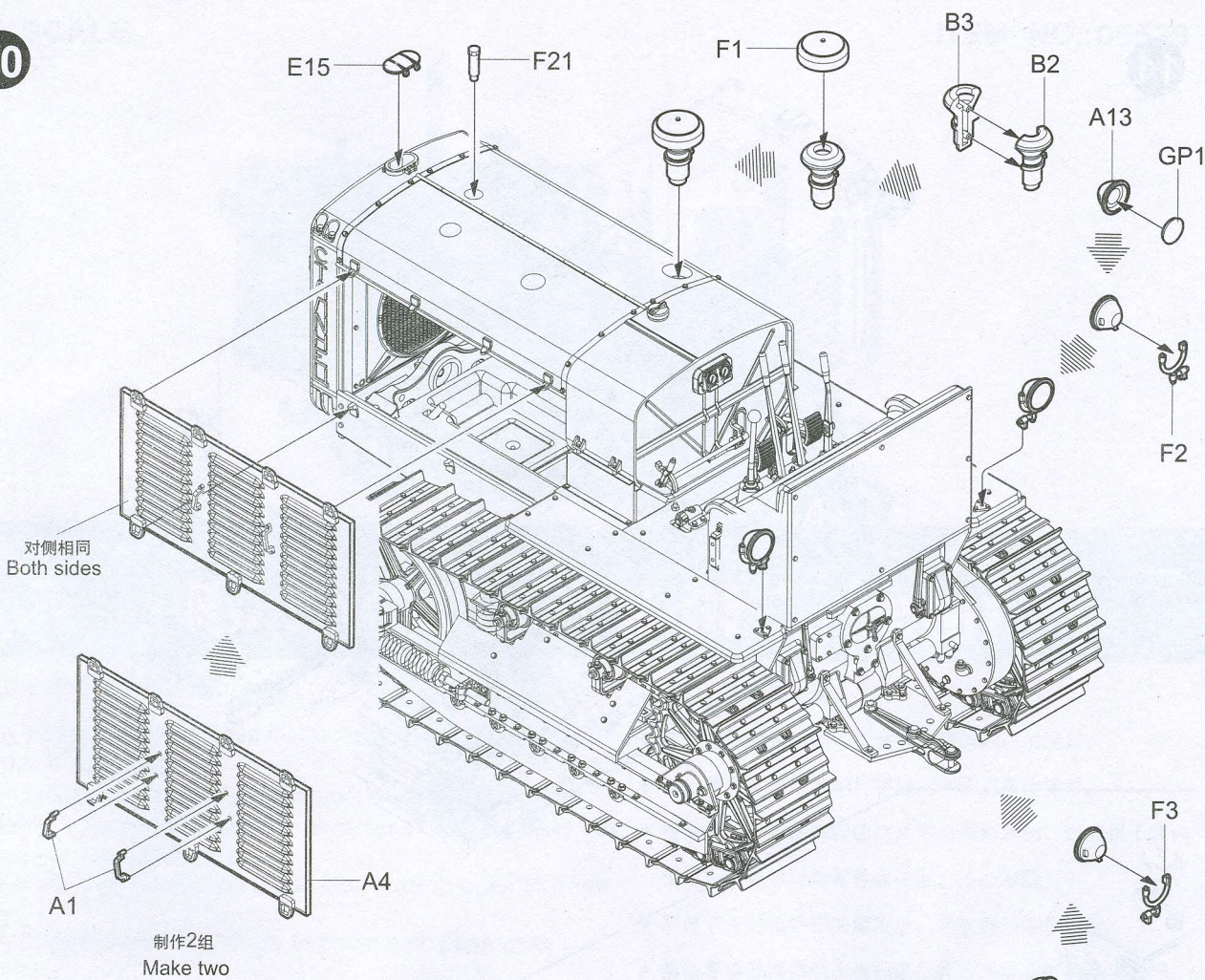


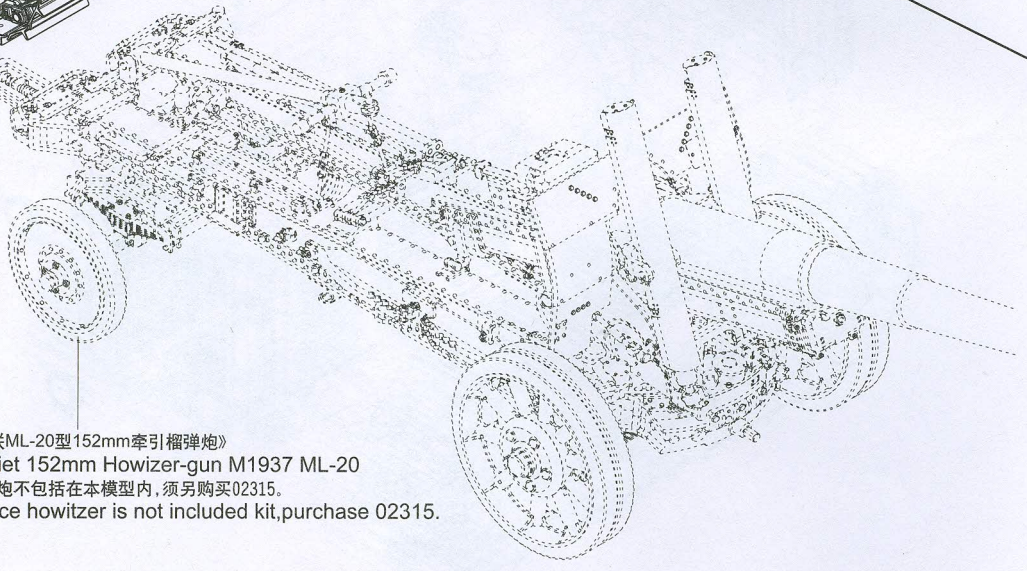
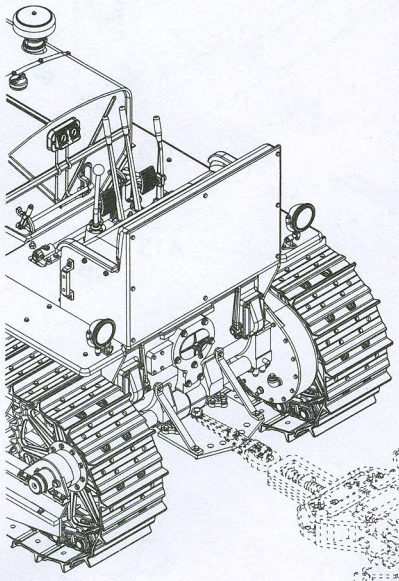
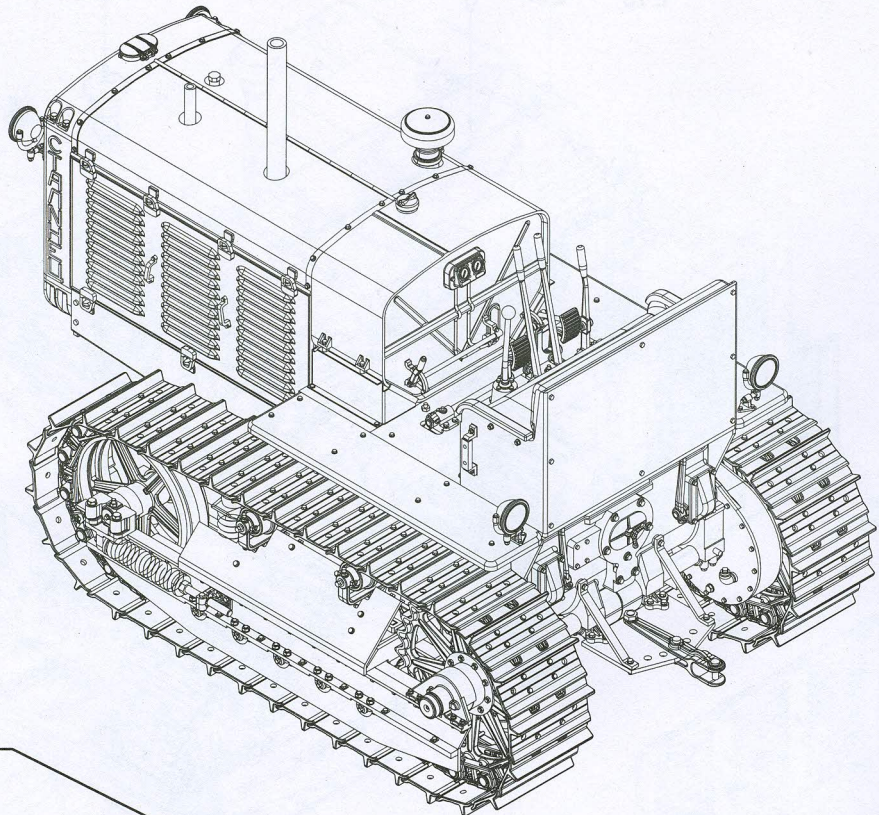


9



10





《苏联ML-20型152mm牵引榴弹炮》
Soviet 152mm Howitzer-gun M1937 ML-20
注意炮不包括在本模型内,须另购买02315。
Notice howitzer is not included kit,purchase 02315.

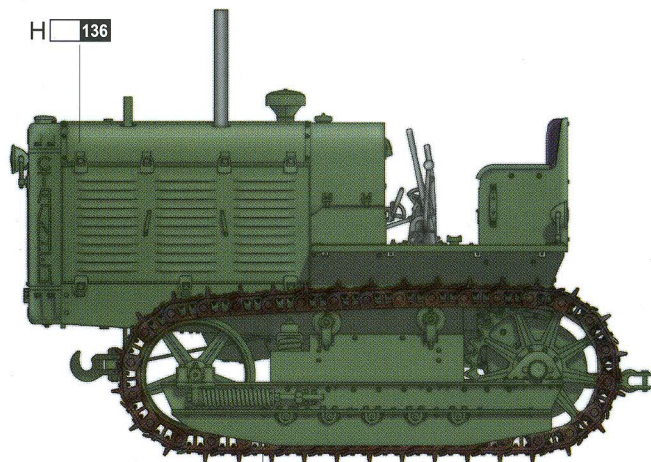
涂装同标贴指示

Painting & Marking guide

PAINT REFERENCE COLOUR

Color	Mr.Hobby	Vallejo	Model Master	Tamiya	Humbrol
Russian Green(2) 苏联绿	H 136	823	--	--	--
Steel 黑铁色	H 18 28	864	1402	--	--

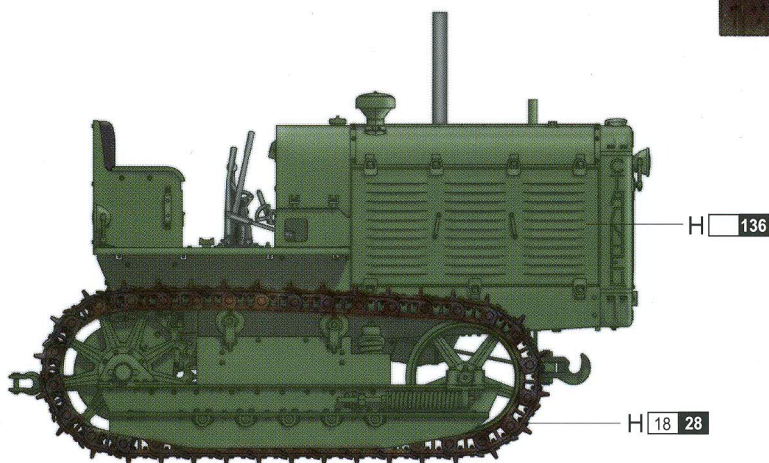
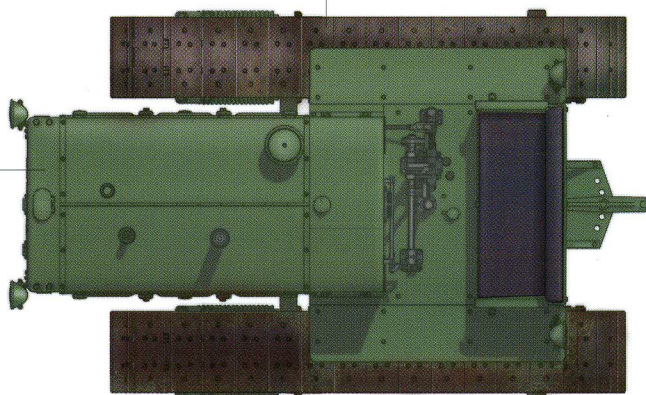
A H 136



H 18 28

H 18 28

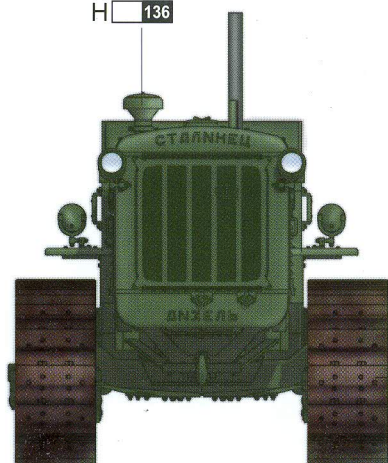
H 136



H 136

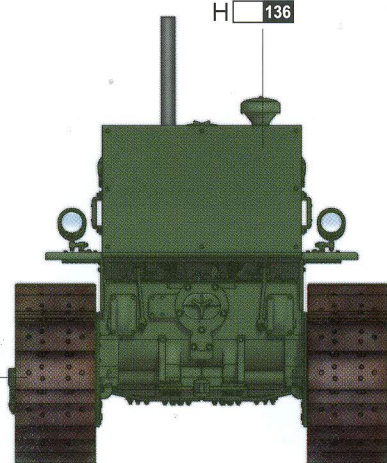
H 18 28

H 136



H 18 28

H 136



H AQUEOUS HOBBY COLOR ■ Mr. COLOR

涂装同标贴指示

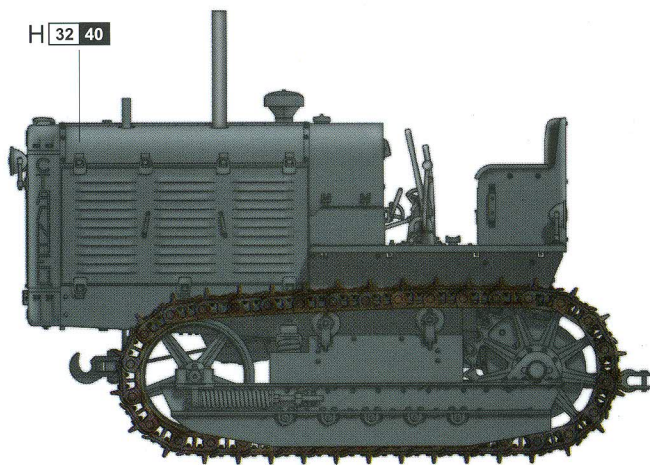
Painting & Marking guide

PAINT REFERENCE COLOUR

Color	Mr.Hobby	Vallejo	Model Master	Tamiya	Humbrol
Field Gray 原野灰	H 32 40	830	--	XF22	111
Steel 黑铁色	H 18 28	864	1402	--	--

B

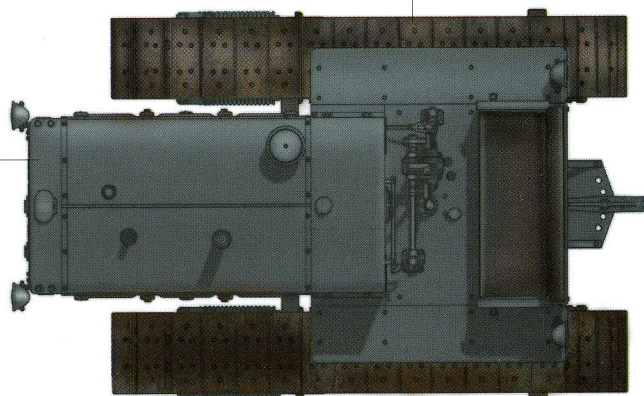
H 32 40



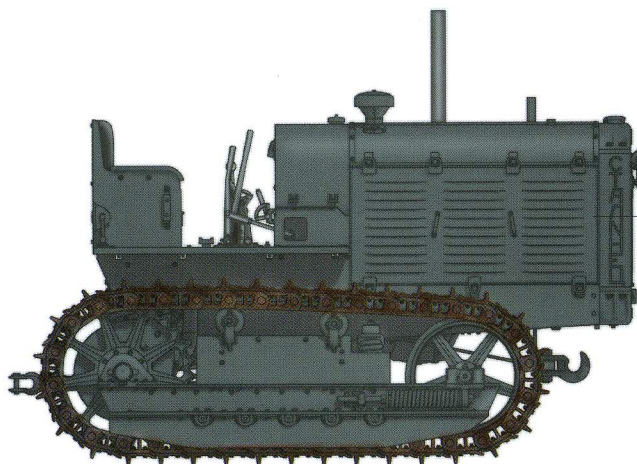
H 18 28

H 18 28

H 32 40

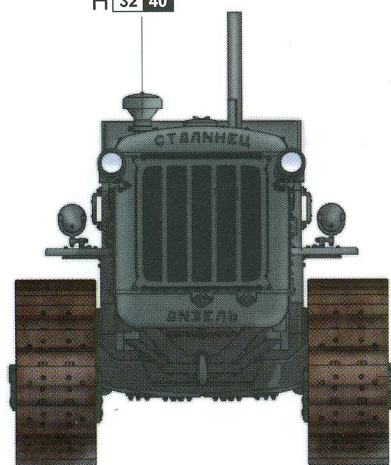


H 32 40

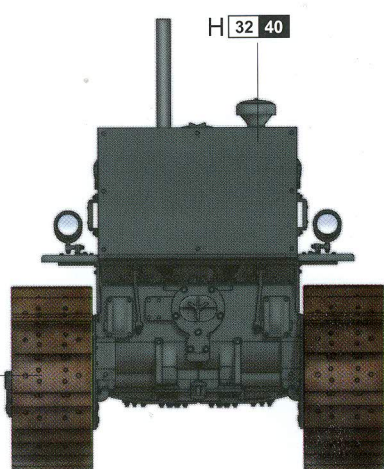


H 32 40

H 32 40



H 18 28



H AQUEOUS HOBBY COLOR ■ Mr. COLOR