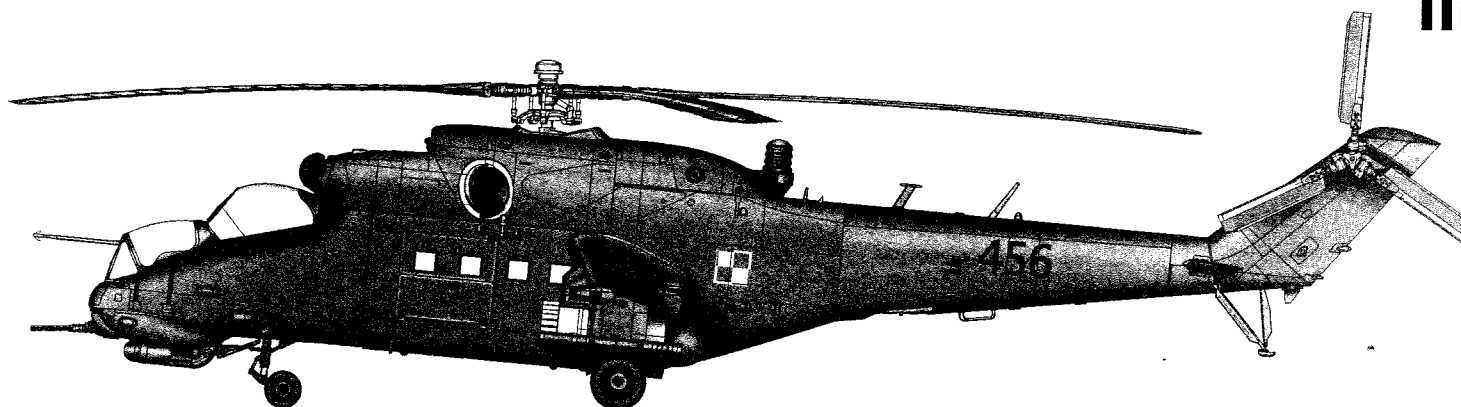


1/48 SCALE

ITEM NO.:05812



Mi-24D Hind-D

米-24D雌鹿D型直升机

READ BEFORE ASSEMBLY:

- This kit is not recommended for inexperienced modelers or for children under 14 years of age
- Study and understand these instructions thoroughly before beginning assembly
- When needed, remove photo-etch parts carefully using a modeling knife or photo etch sprue cutter, being careful not to damage or lose small parts.
- Take extra care in handling photo etch parts in order to avoid injury
- Apply instant cement sparingly to photo etch parts where instructed
- Tools recommended(not included in kit):Plastic and instant cements,sprue cutters,long nose pliers,modeling knife, small files, tweezers, pin vise & scissors. Soft cloth and sandpaper will also assist in construction
- Glue and paint are not included in the kit. Use plastic cement and hobby paints only. Color guide for purchasing paint is included in the kit.
- Keep out of reach of children. They must not be allowed to ingest small parts or handle plastic bags in any way.

* 说明书中含有重要信息，应保留。 Please Keep instruction since it contains important information.

装配之前仔细阅读

- 小心用模型锉刀锉平所有零件表面的注射浇口。
- 小心用刀片切下蚀刻片零件，不要遗失小零件。
- 用强力快干胶水粘合蚀刻片零件和金属轴。过量的快干胶水使用可能导致可动零件会粘住，小心涂胶。
- 取蚀刻片时应特别注意安全，防止利边划伤手指。
- 某些零件表面需贴水上贴纸，请选择在装配的同时进行。
- 推荐模型工具(自备)：胶水，水口剪刀，长咀钳，刀片，锉刀，镊子钳，钻，剪刀，瞬间快干胶。
- 软布同砂纸同时也是所需工具。
- 请使用塑料胶水和油漆，模型内不含。
- 谨防小孩吮吮塑料零件，或者将塑料袋套在头上，制作时应将套材远离小孩接触。
- 本产品不适合14岁以下没有经验的模型爱好者。

水贴纸的使用:

1. 从水贴上剪下印花;
2. 将印花放入温水中浸10秒，然后放在干净布上。
3. 拿着印花纸板将印花移到模型上;
4. 手指蘸水将印花移到适当的位置;
5. 用软布轻压印花直至水干，气泡消失。

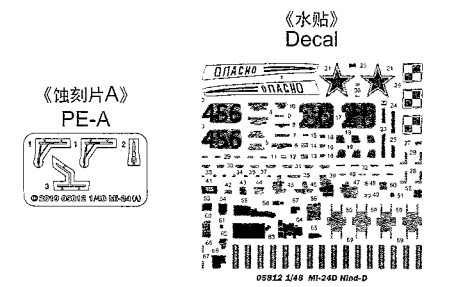
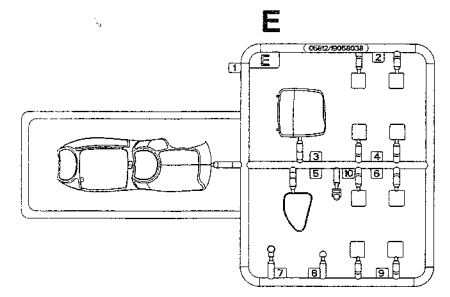
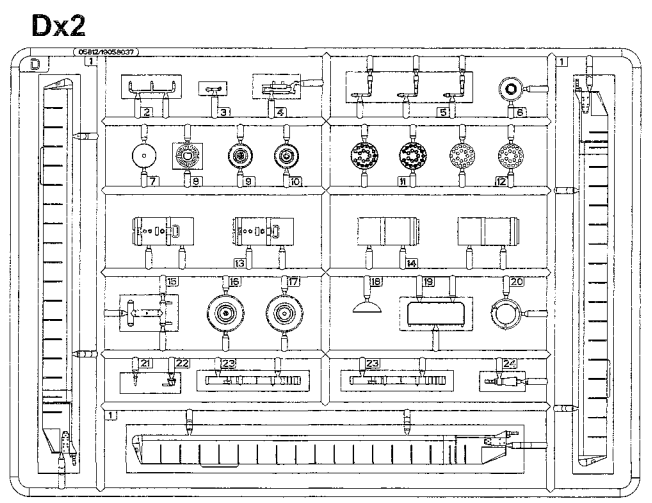
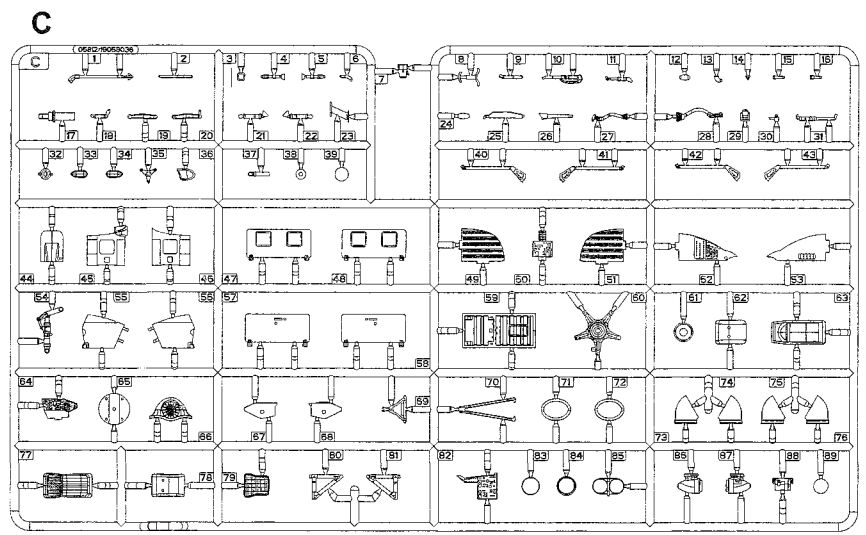
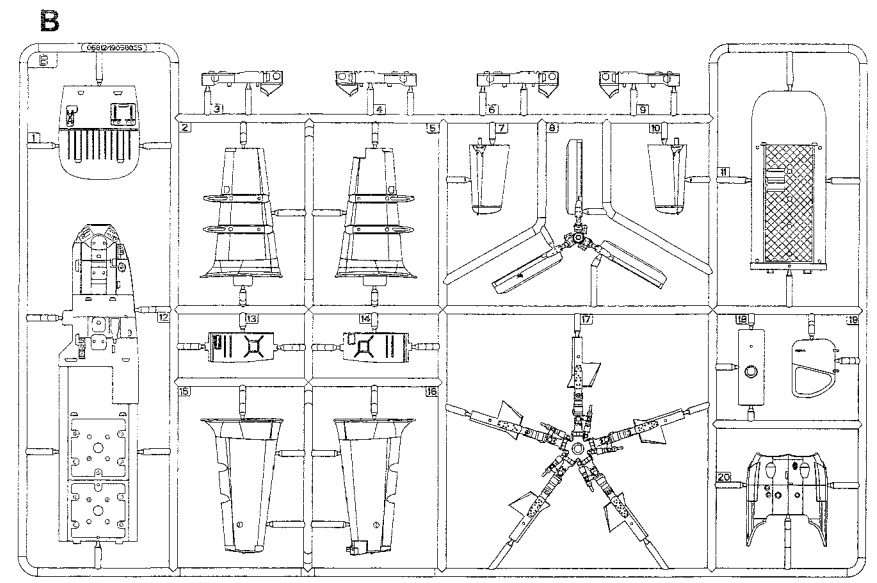
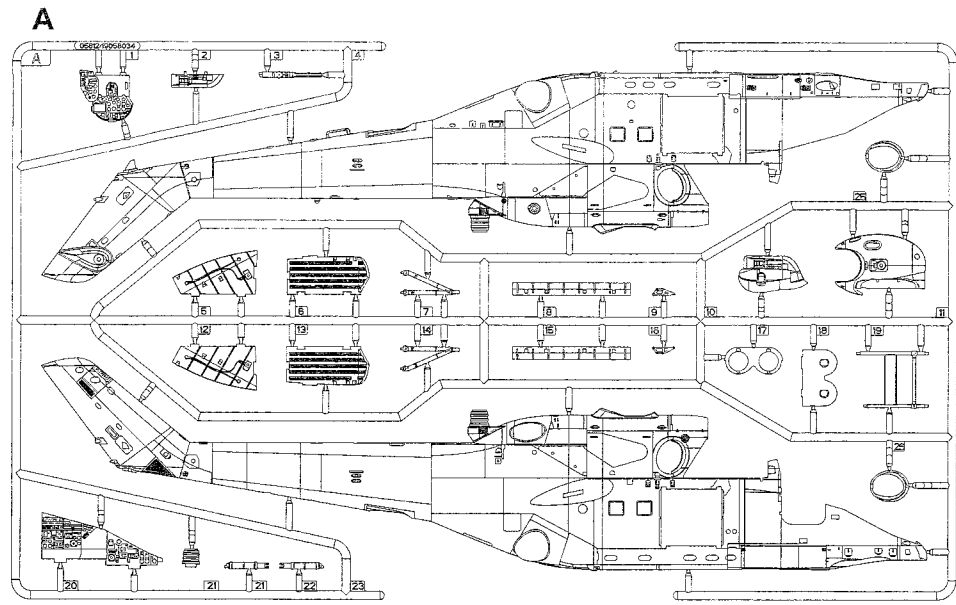
DECAL APPLICATION:

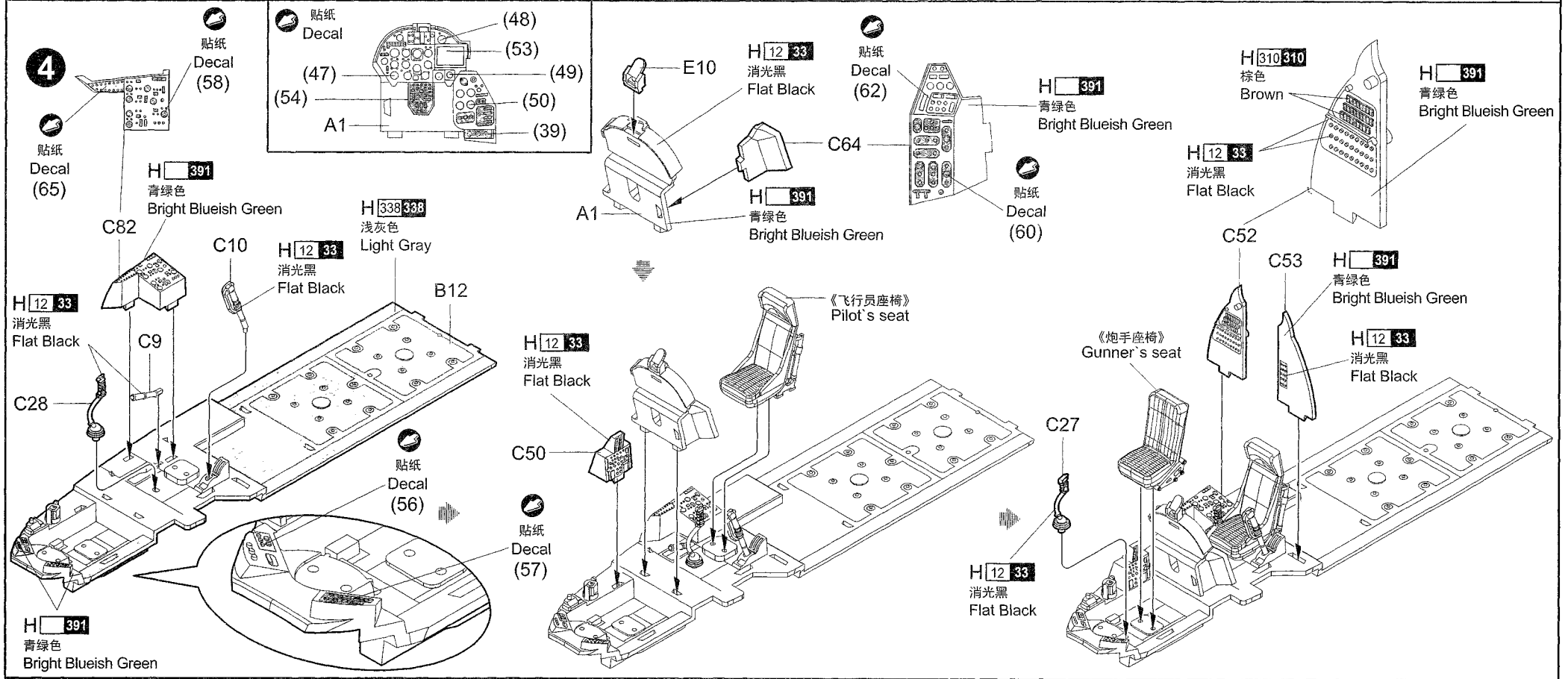
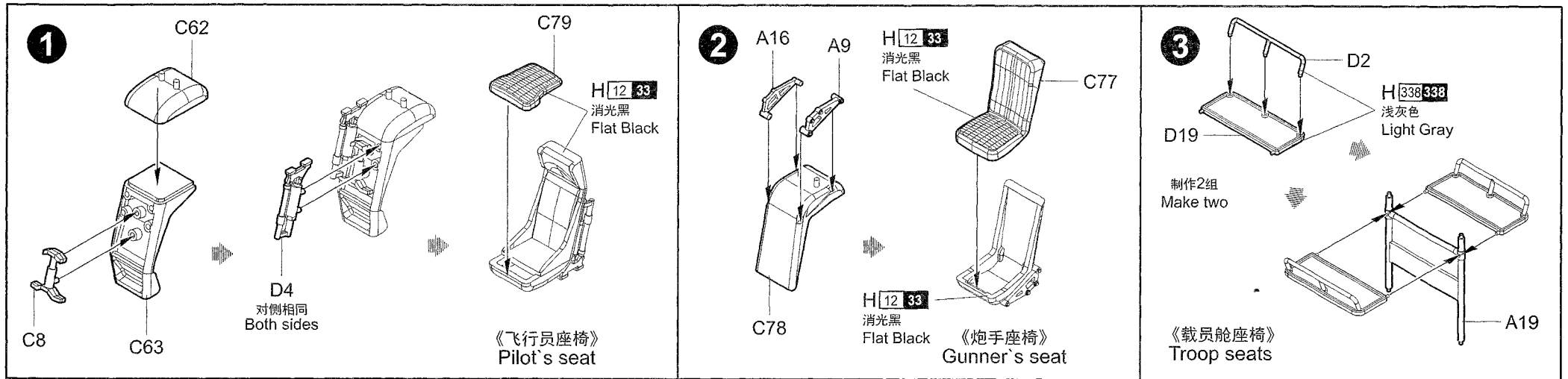
1. Cut decals from sheet as needed
2. Dip the decal in warm water for about 10 seconds and then place on soft clean cloth.
3. Hold the decal backing sheet edge and gently slide the decal onto the model in its proper position.

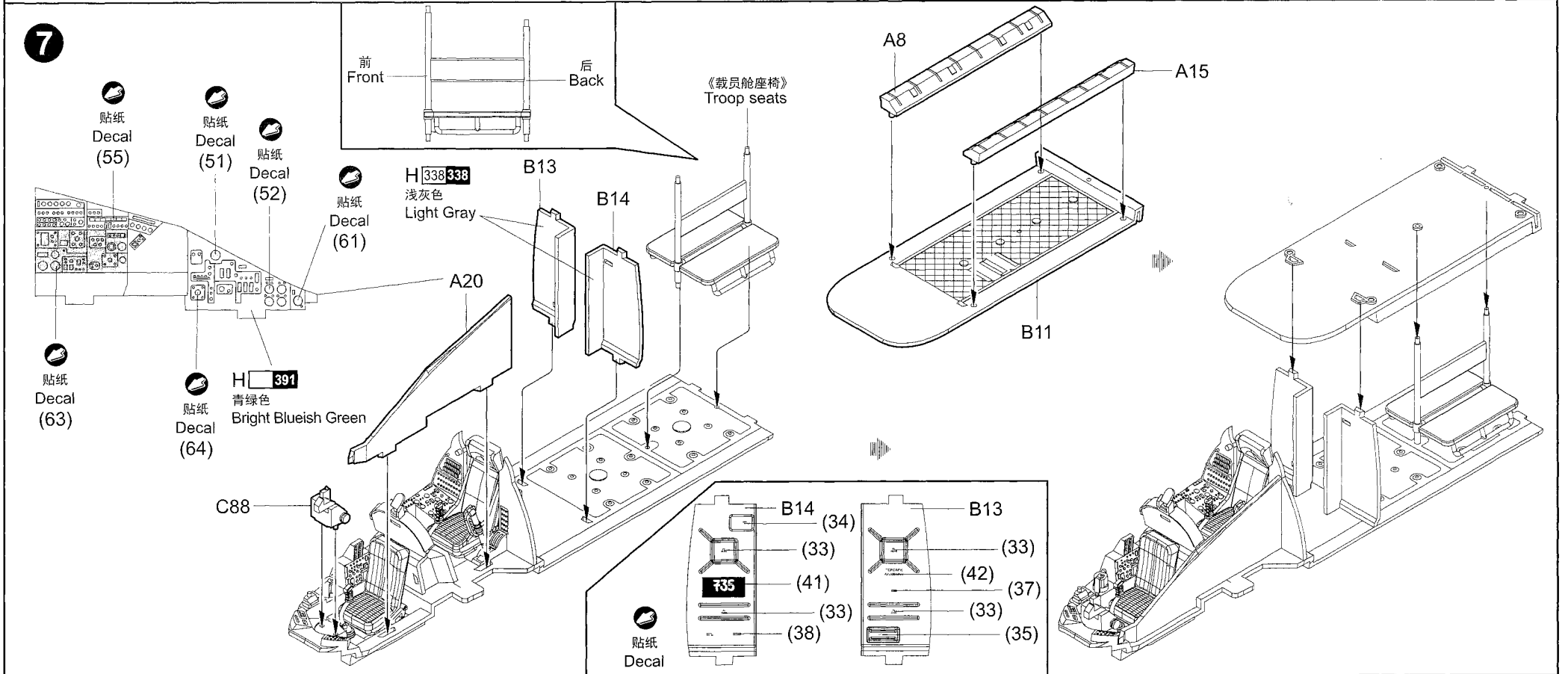
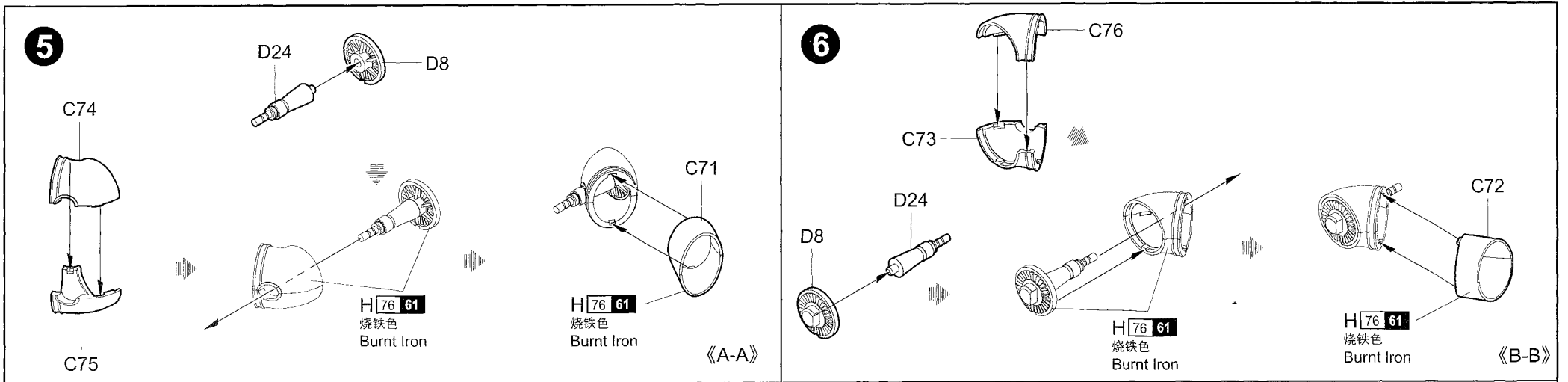
4. While still wet, decal can be adjusted for better fit on model by dampening it gently with your finger.
5. When placed in the proper position, gently press decal down with a soft cloth until excess water and air bubbles are gone.
6. Allow decal to dry completely before handling model



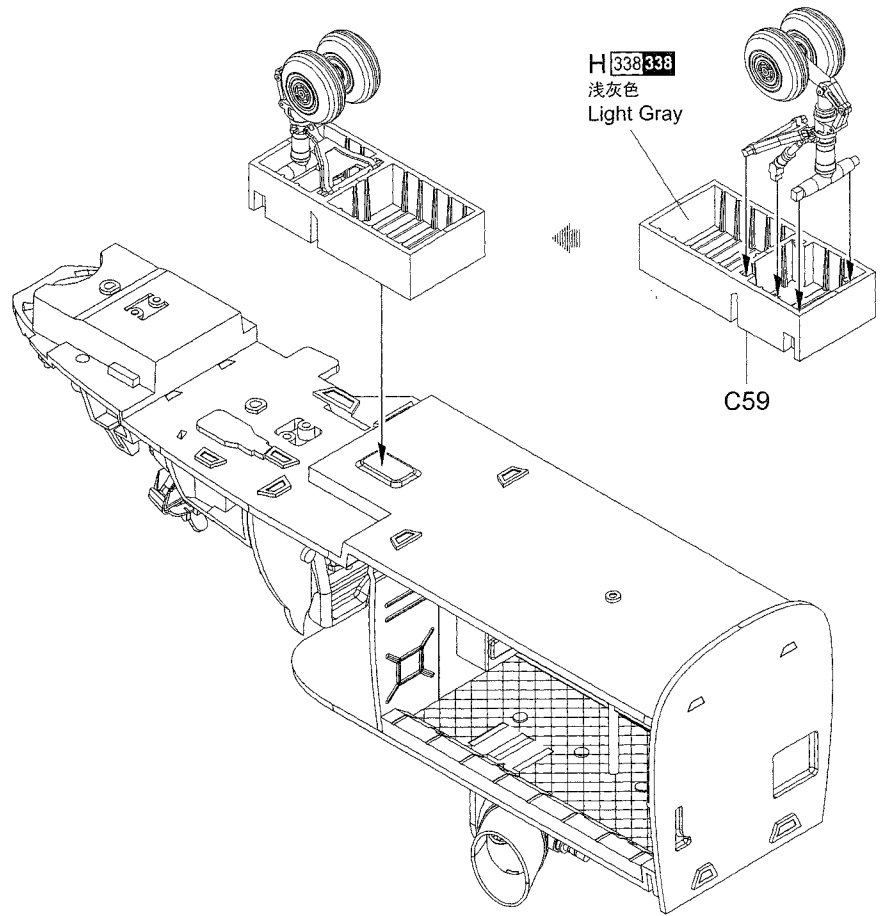
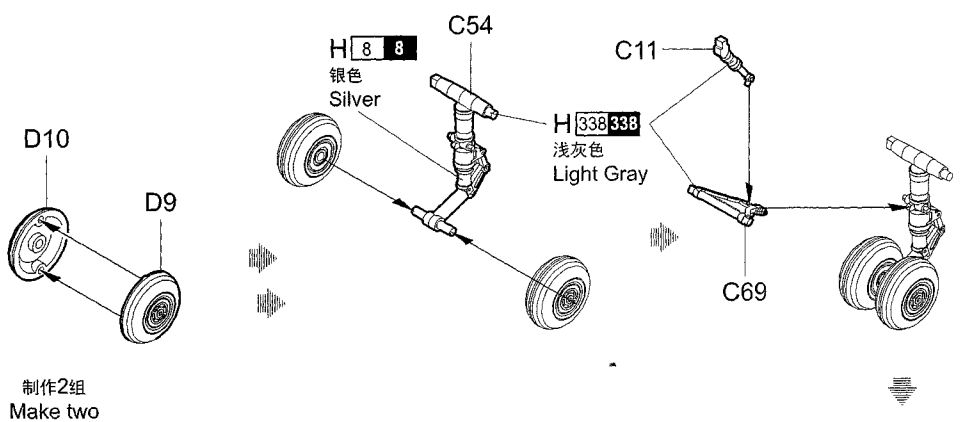
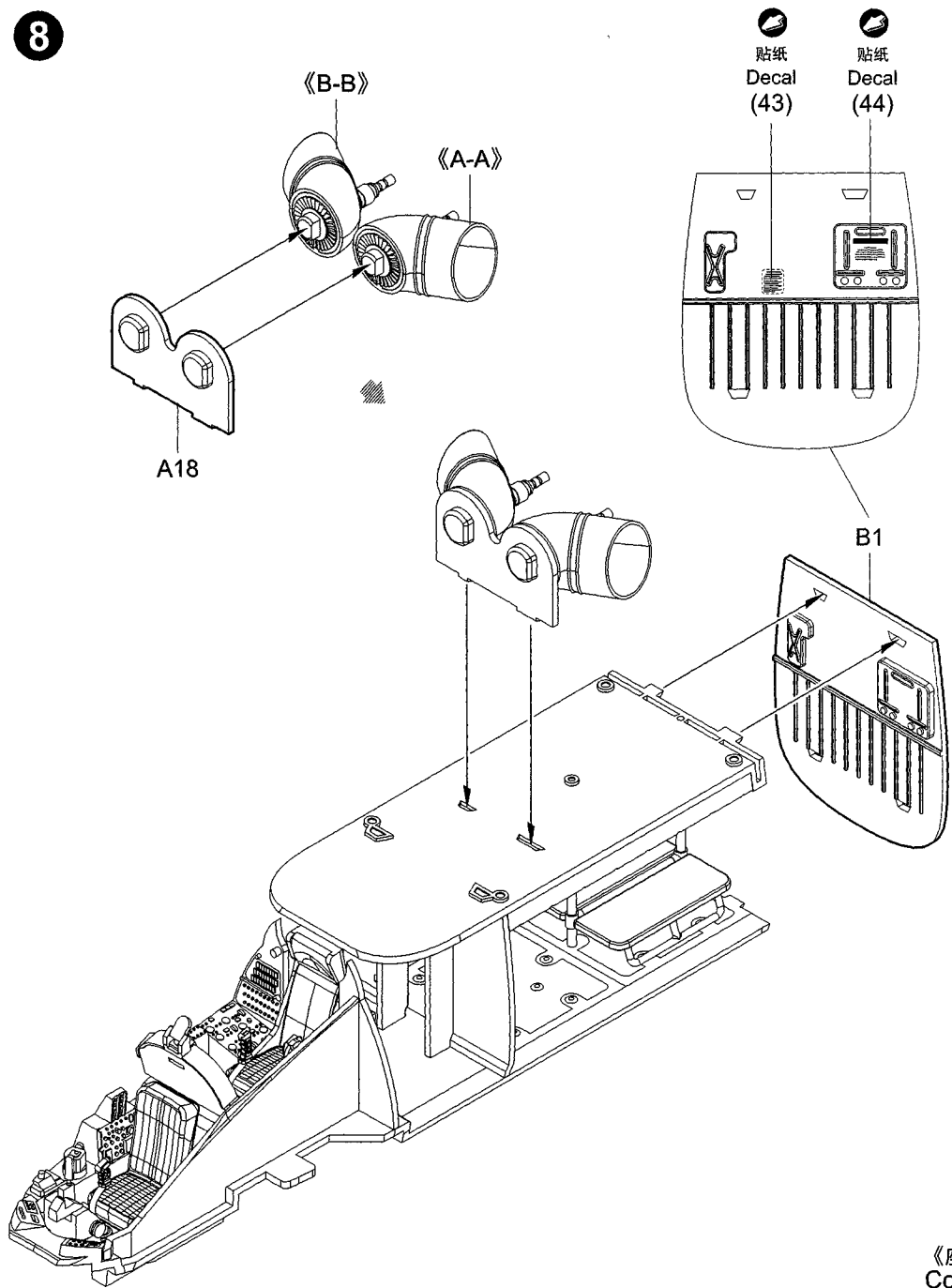
部品图
Parts







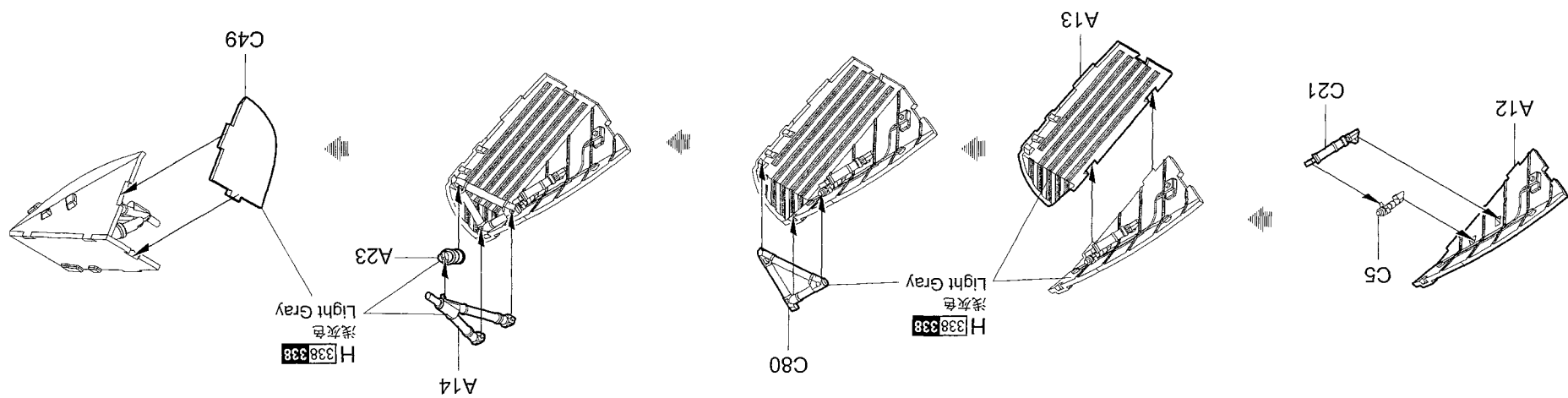
8



《座舱》
Cockpit

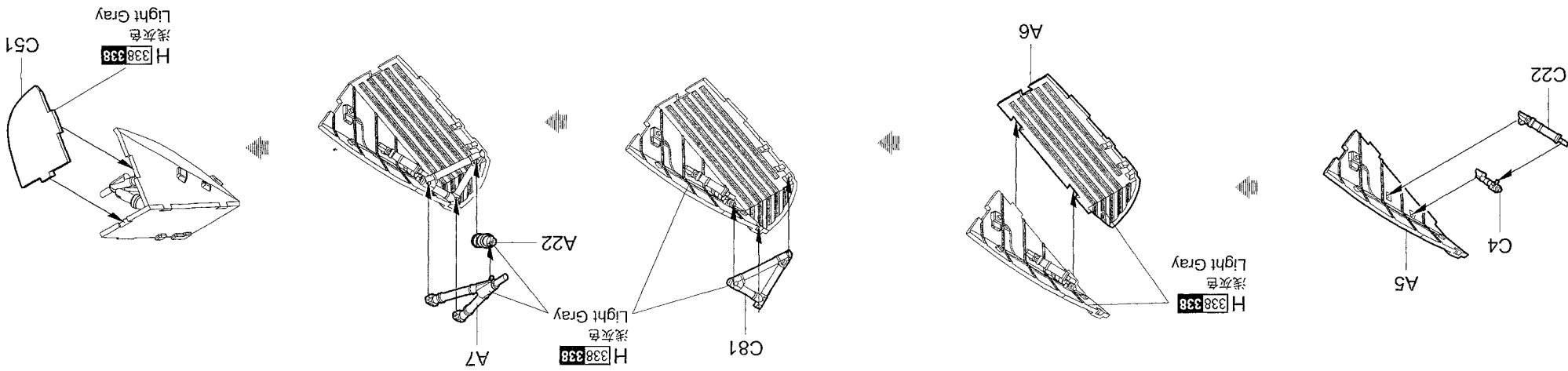
10

《D-D》



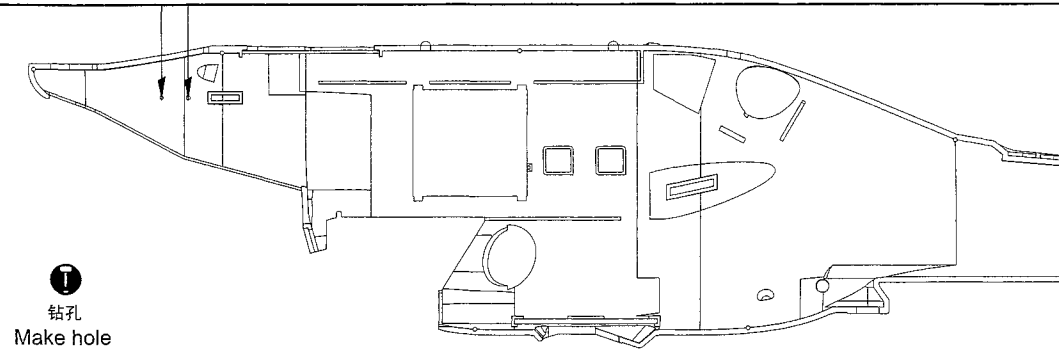
9

《C-C》

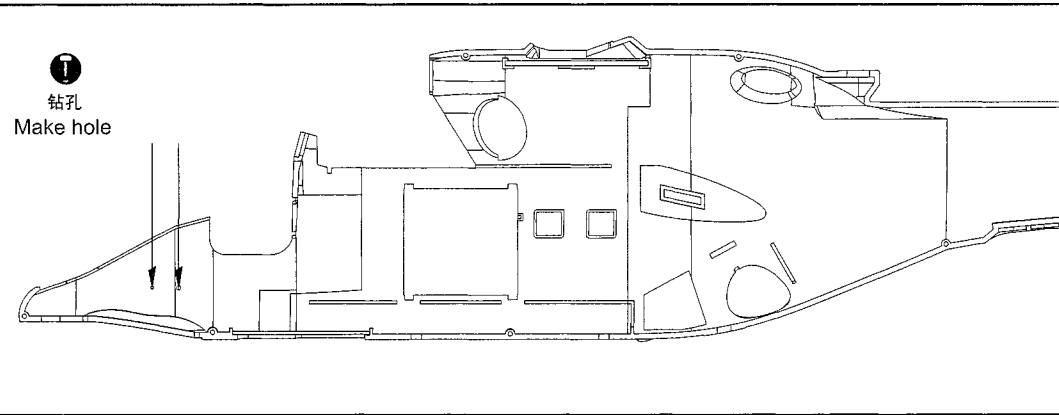


11

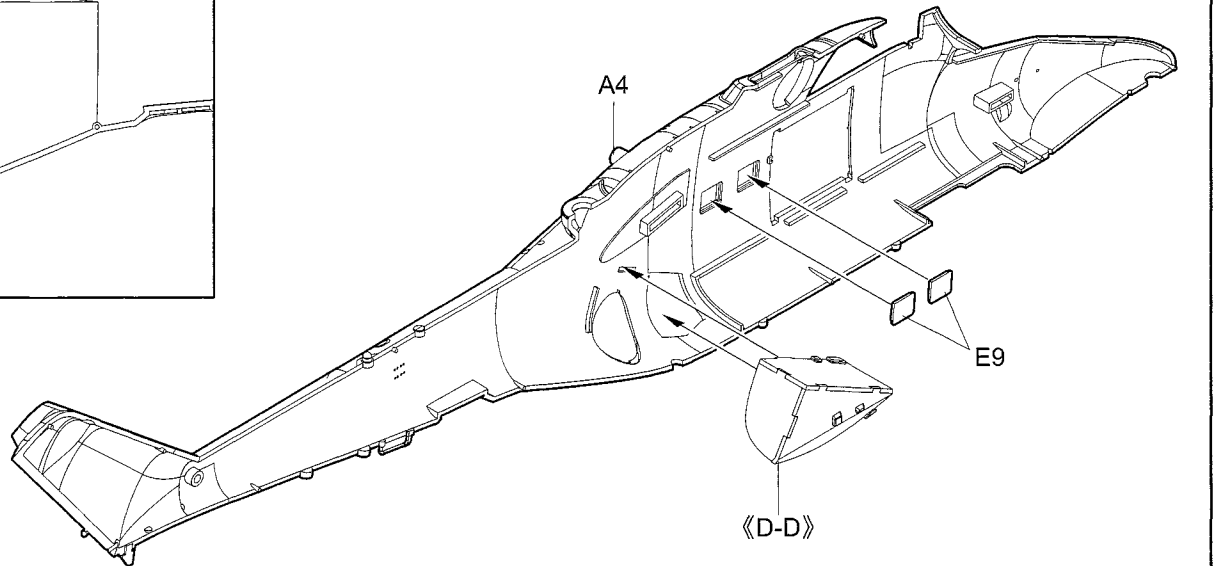
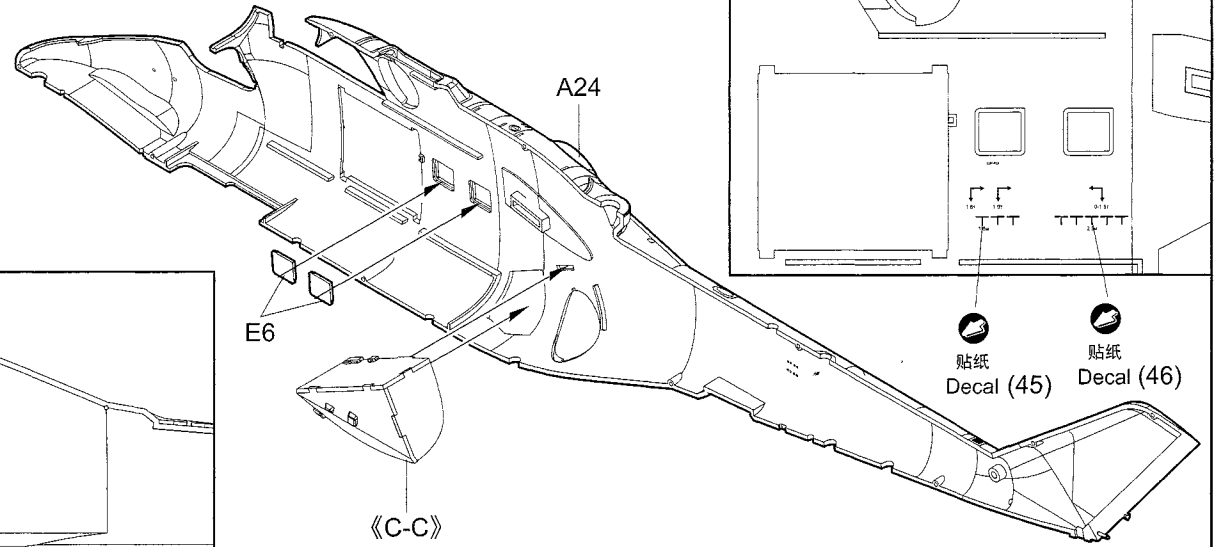
ⓘ
钻孔
Make hole



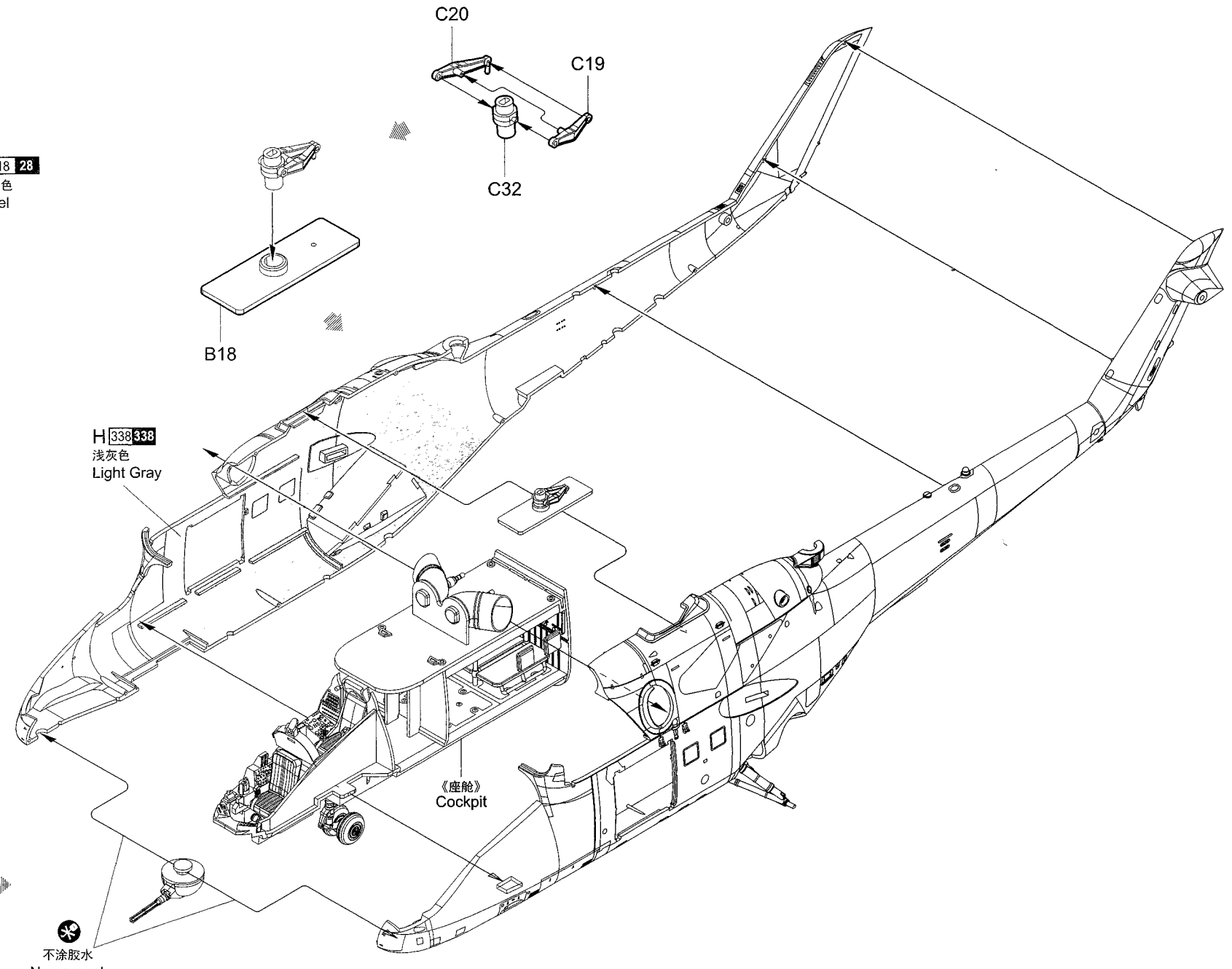
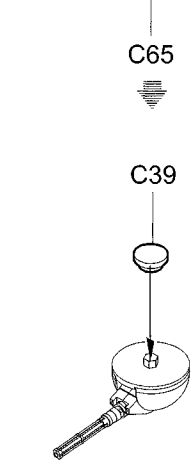
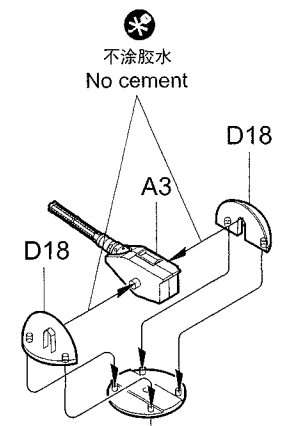
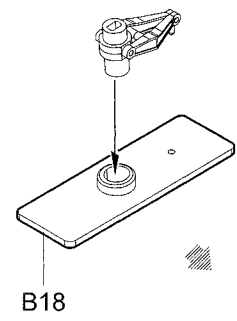
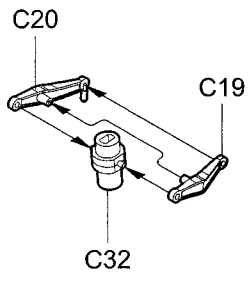
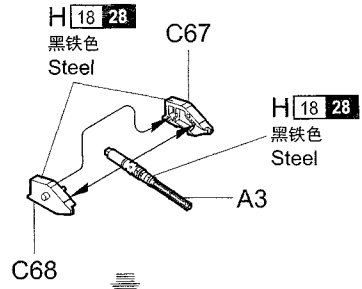
ⓘ
钻孔
Make hole



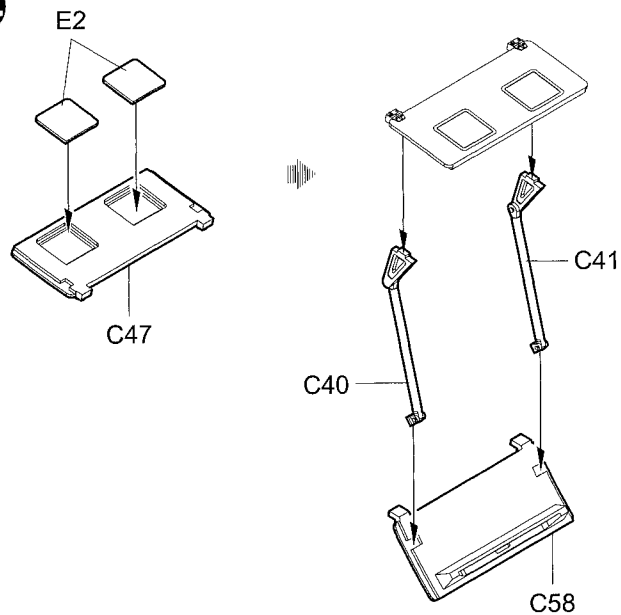
12



13

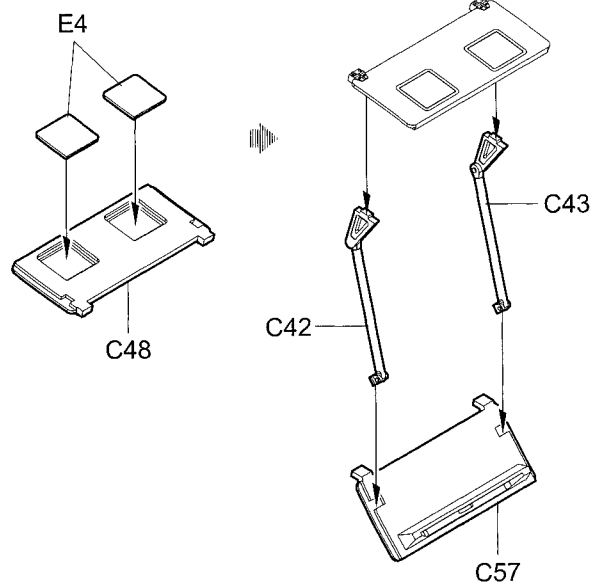


14



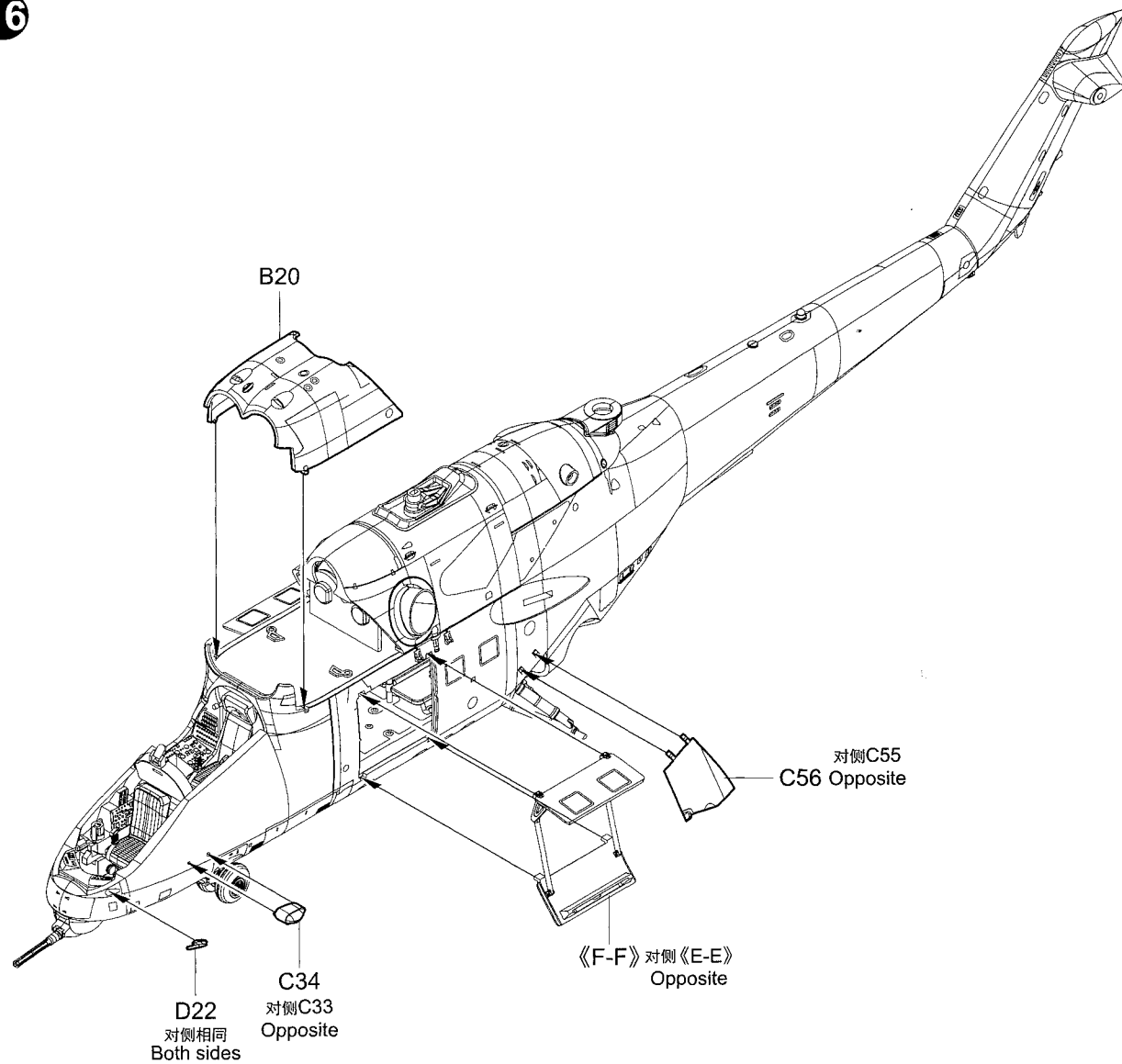
《E-E》

15

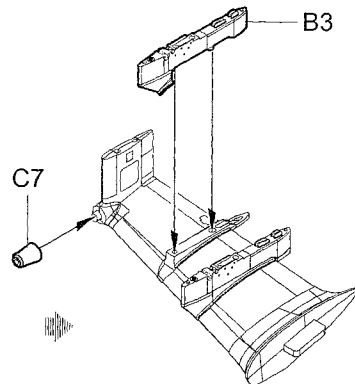
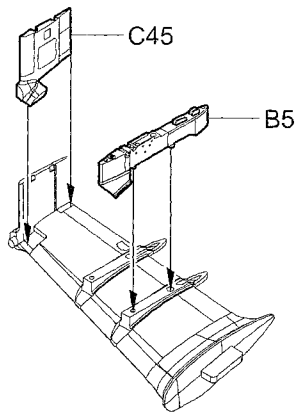
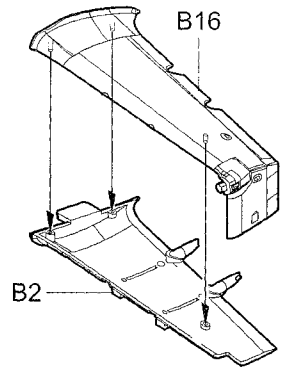


《F-F》

16

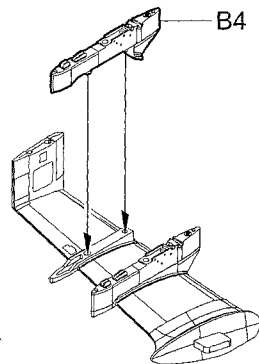
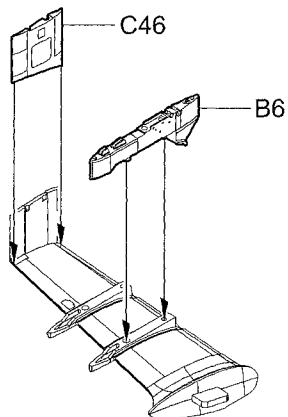
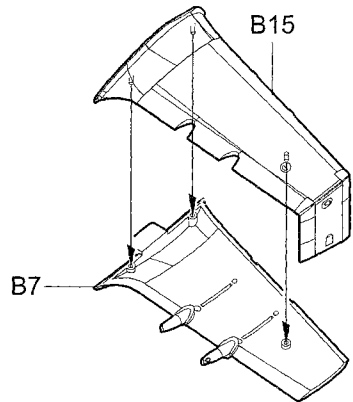


17



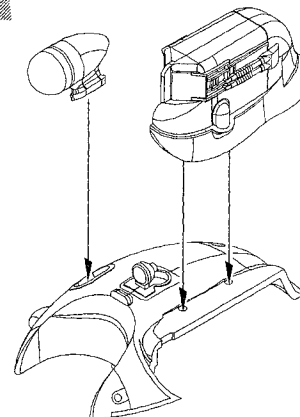
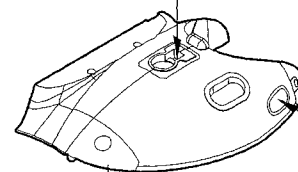
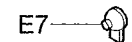
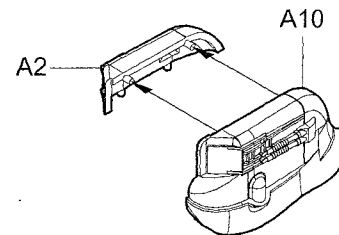
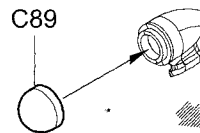
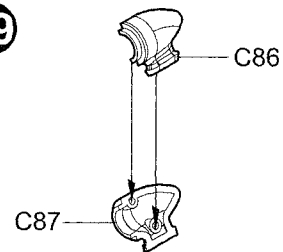
《G-G》

18



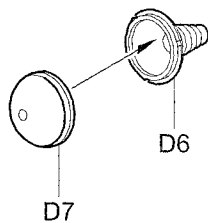
《H-H》

19

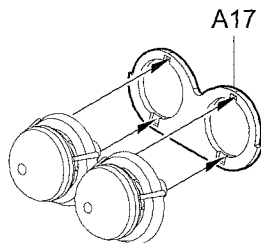
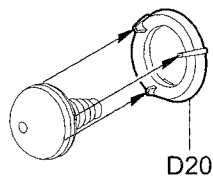


《J-J》

20

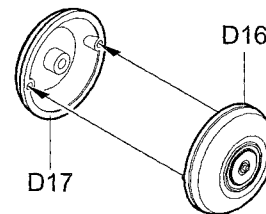


制作2组
Make two

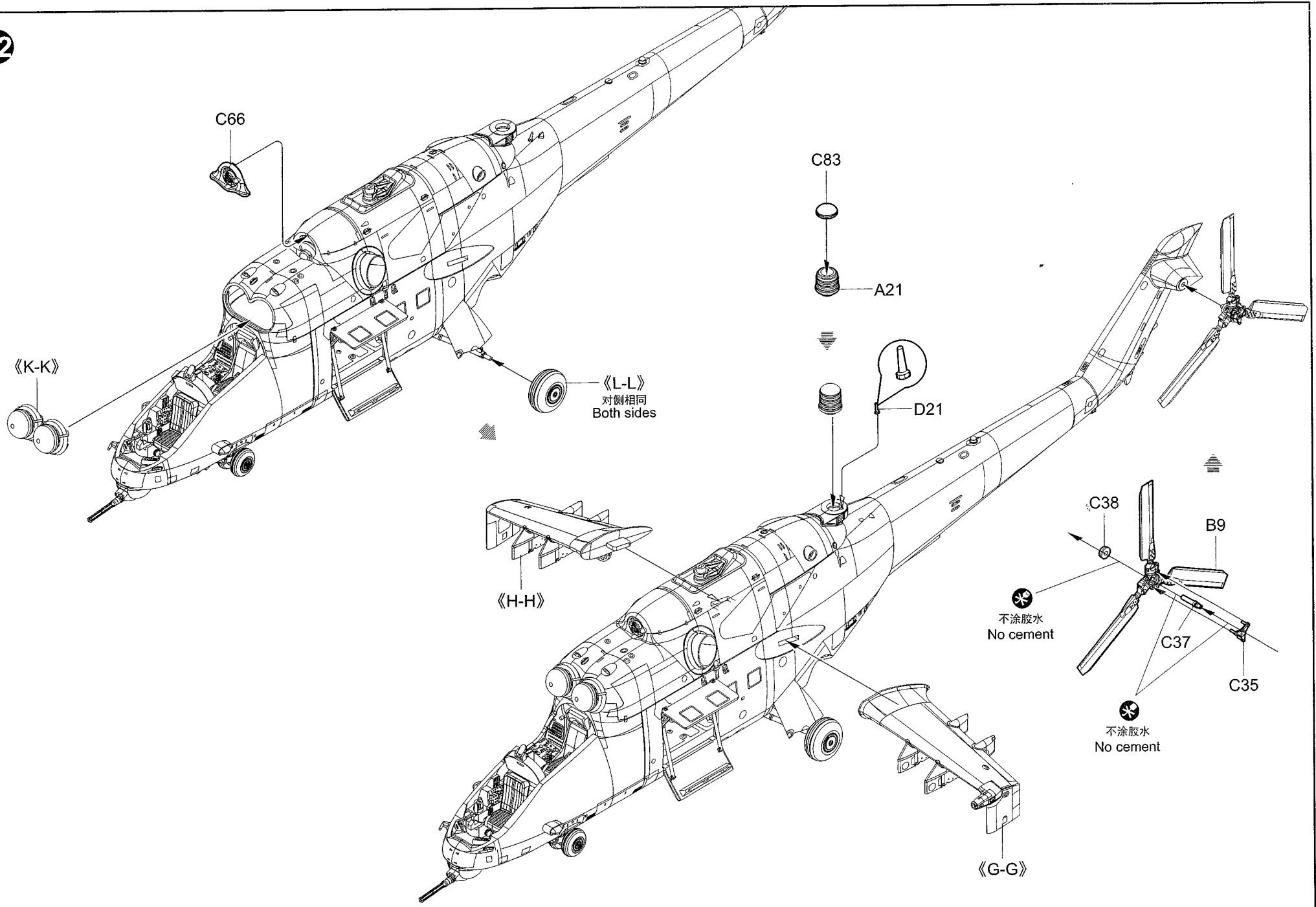


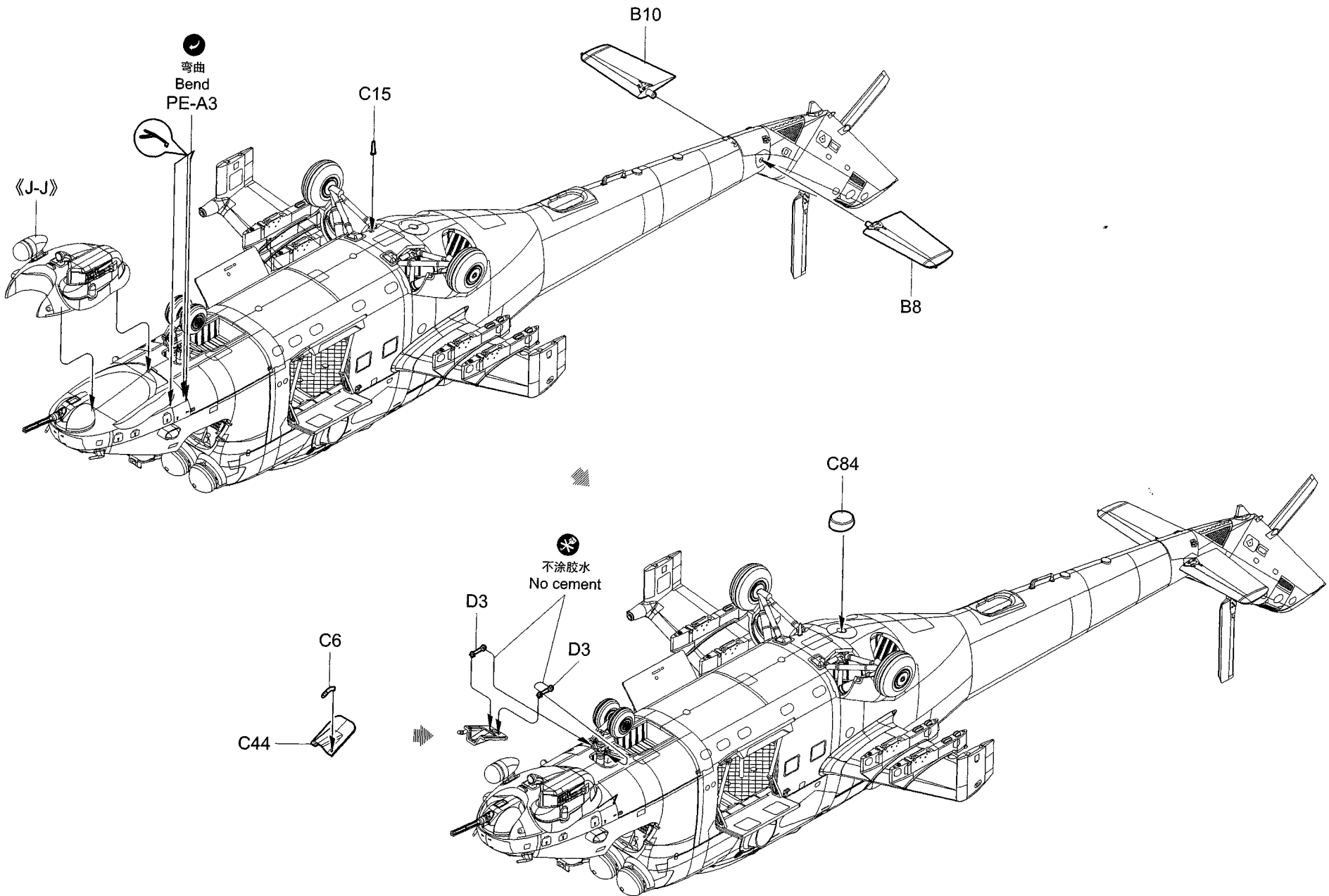
《K-K》

21

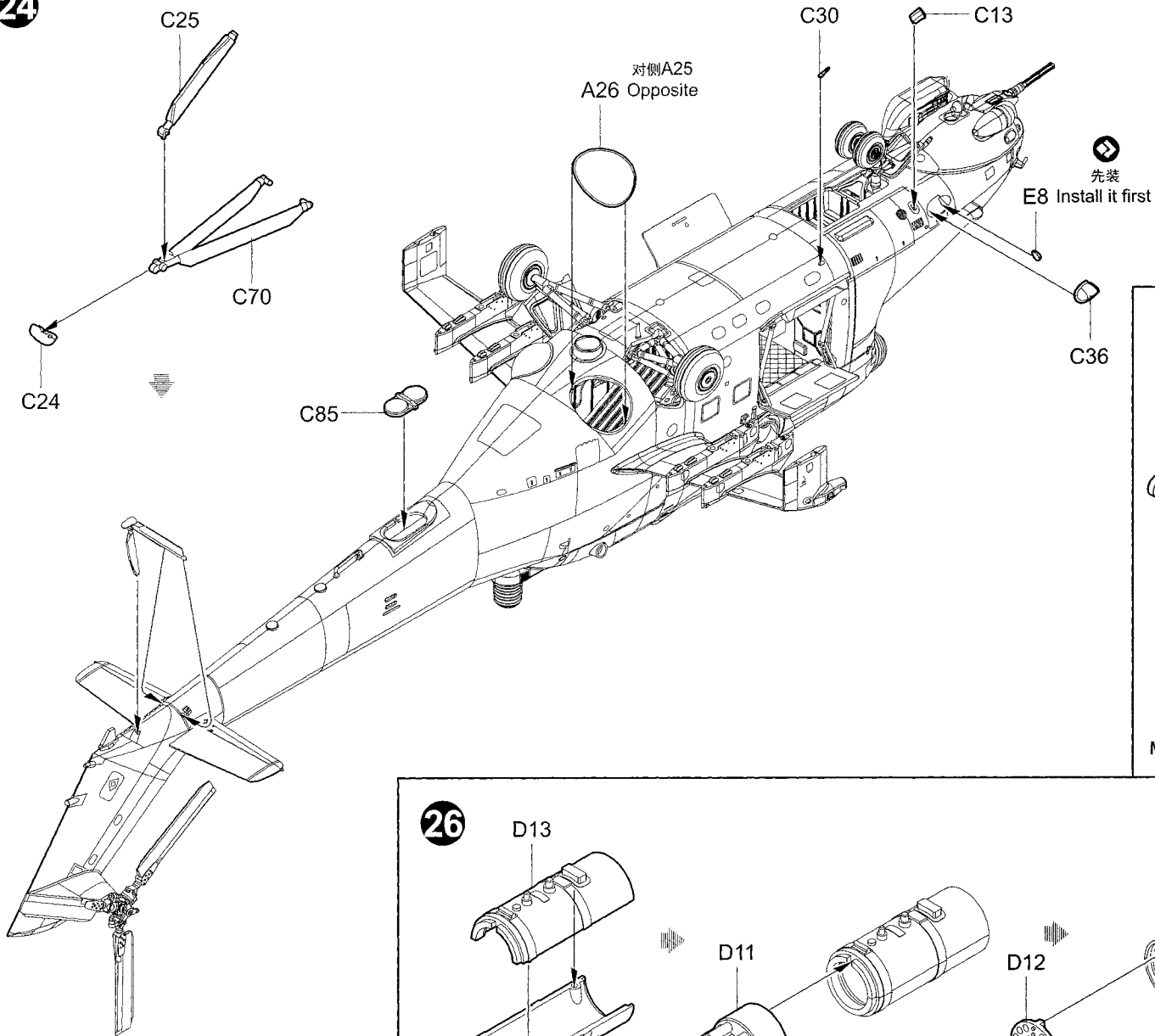


《L-L》
制作2组
Make two

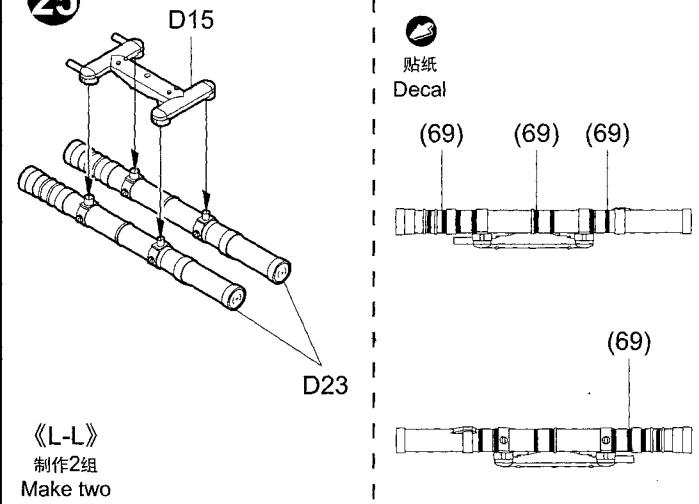




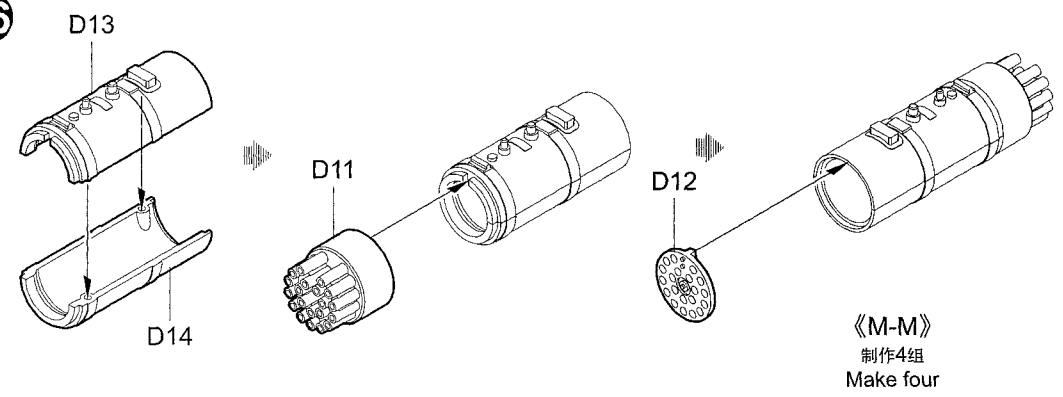
24



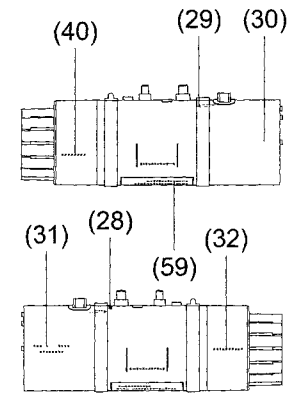
25



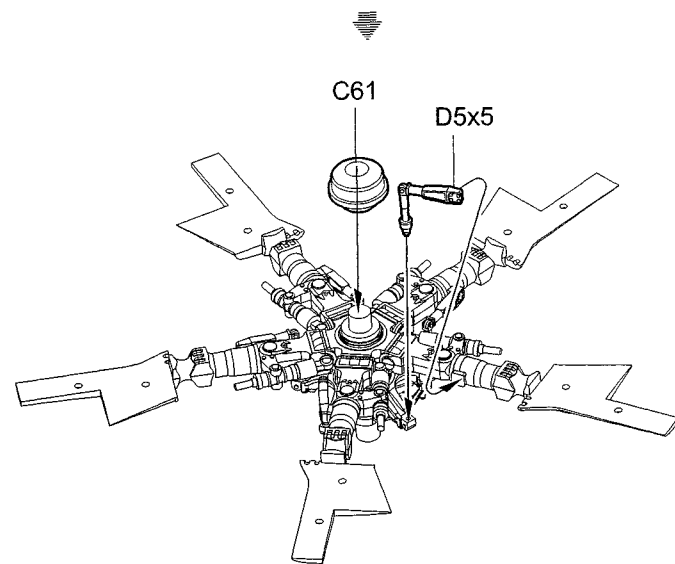
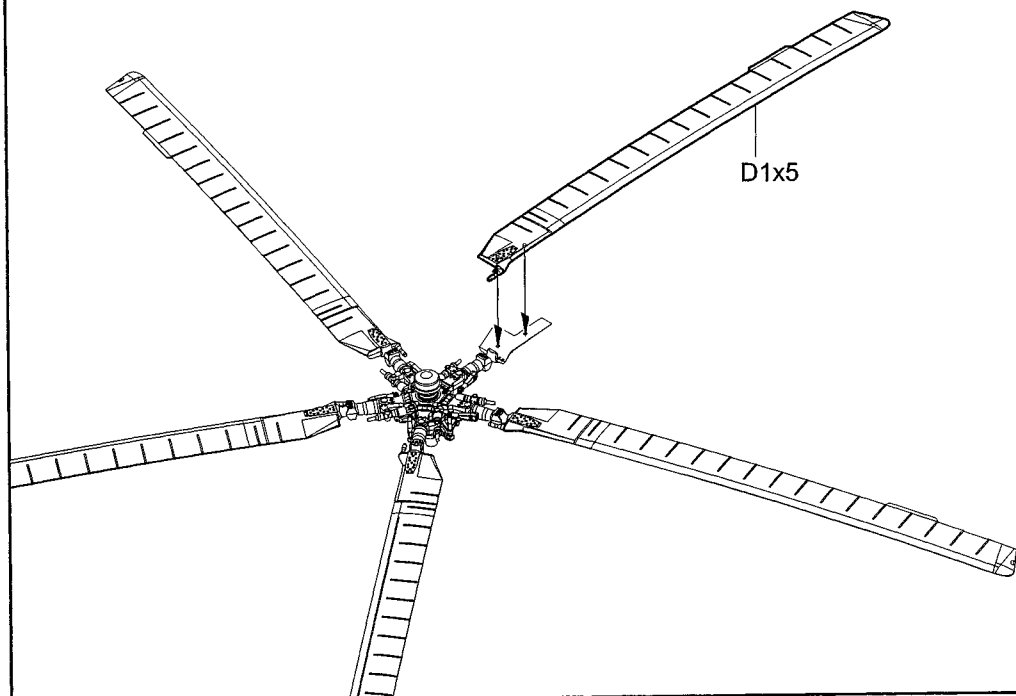
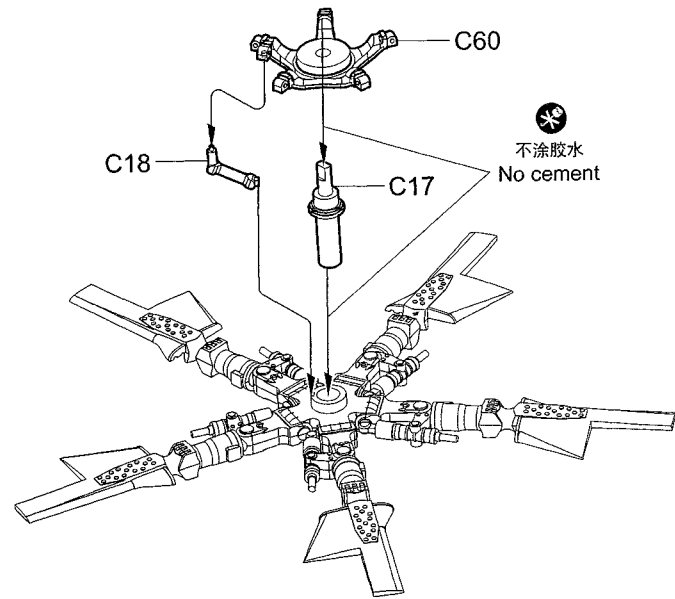
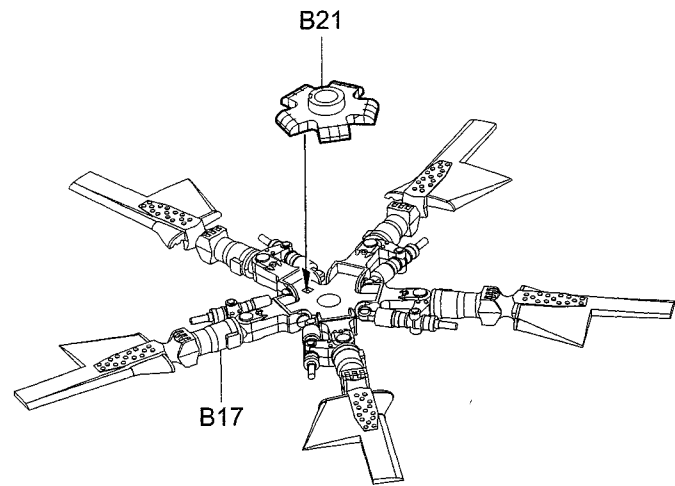
26



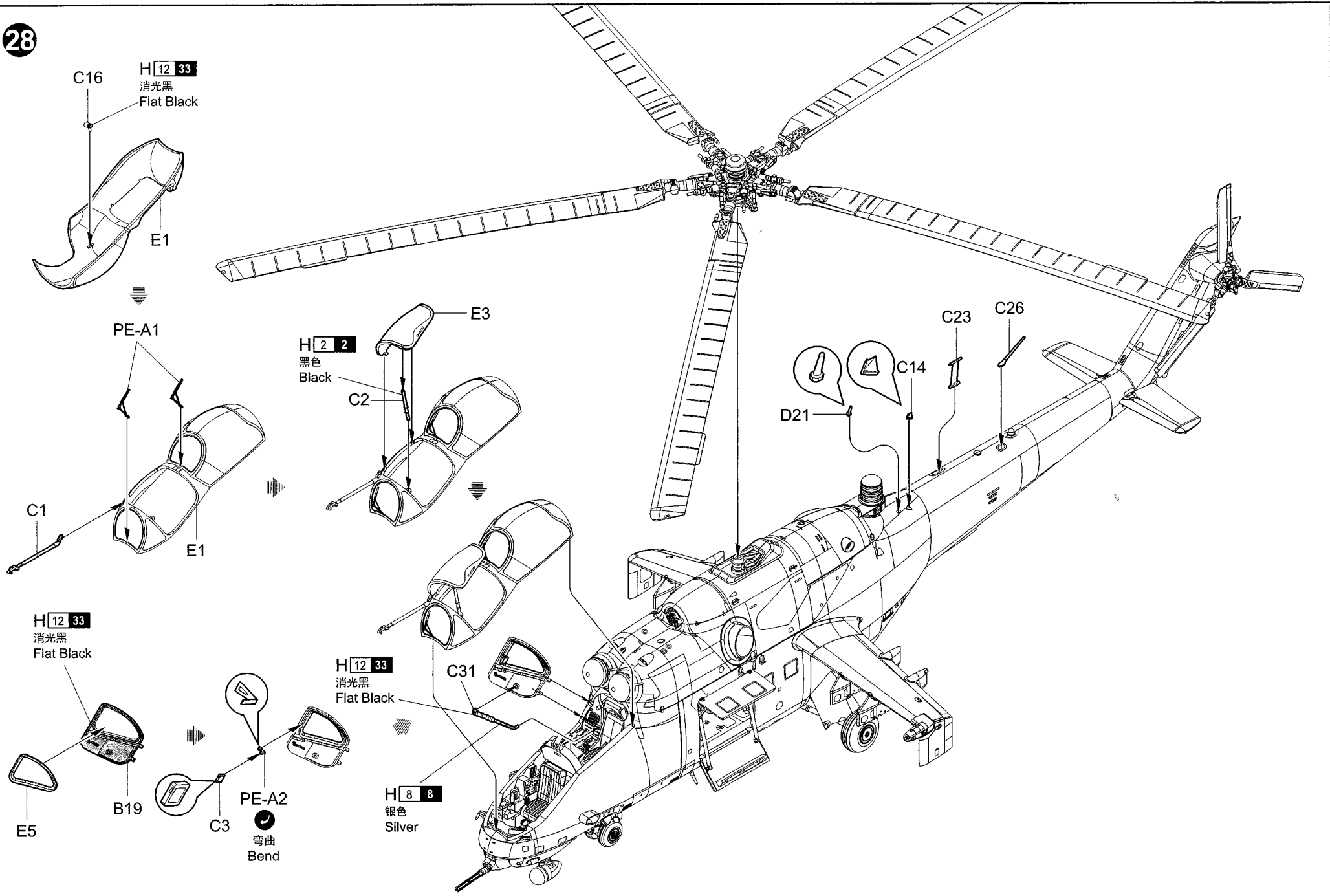
贴纸
Decal



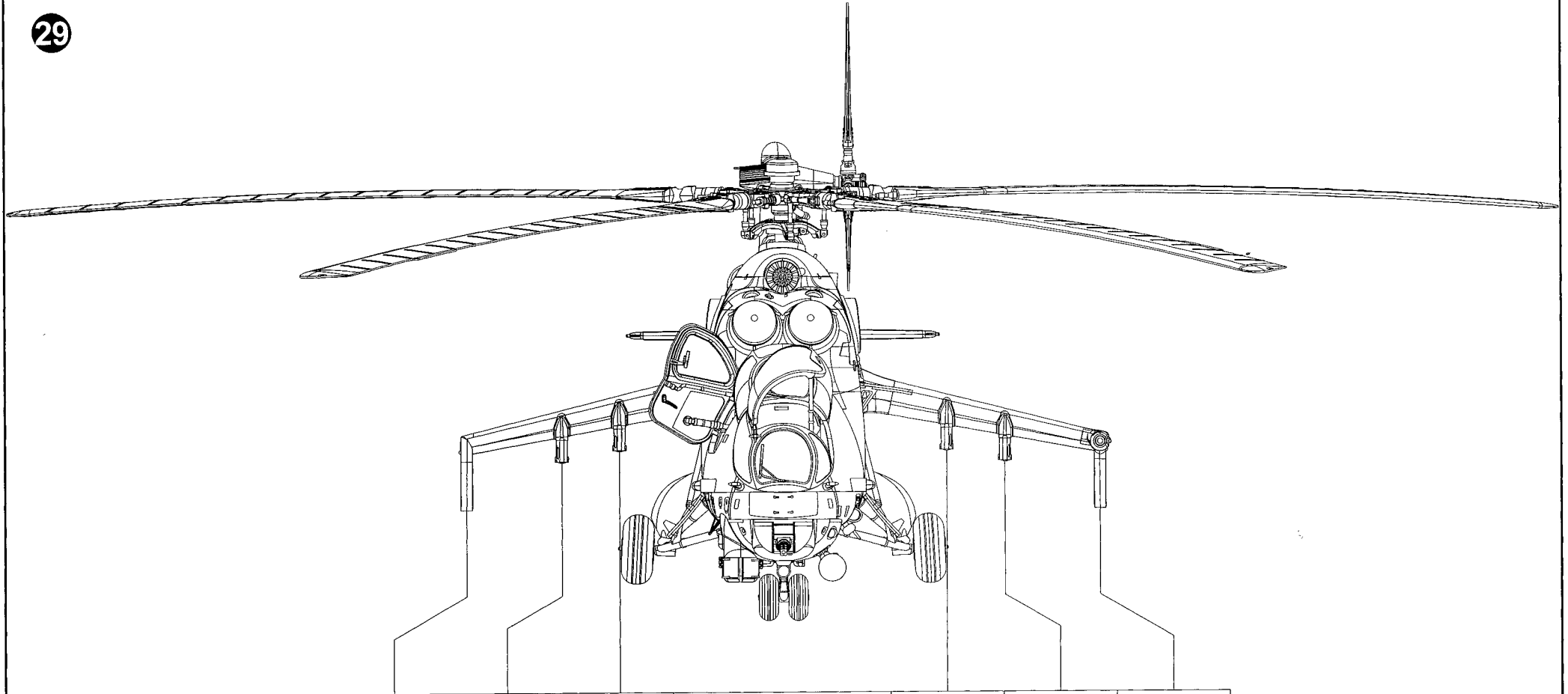
27



28



29



	5	4	3		2	1	6
《L-L》	<input type="radio"/>						<input type="radio"/>
《M-M》		<input type="radio"/>	<input type="radio"/>		<input type="radio"/>	<input type="radio"/>	

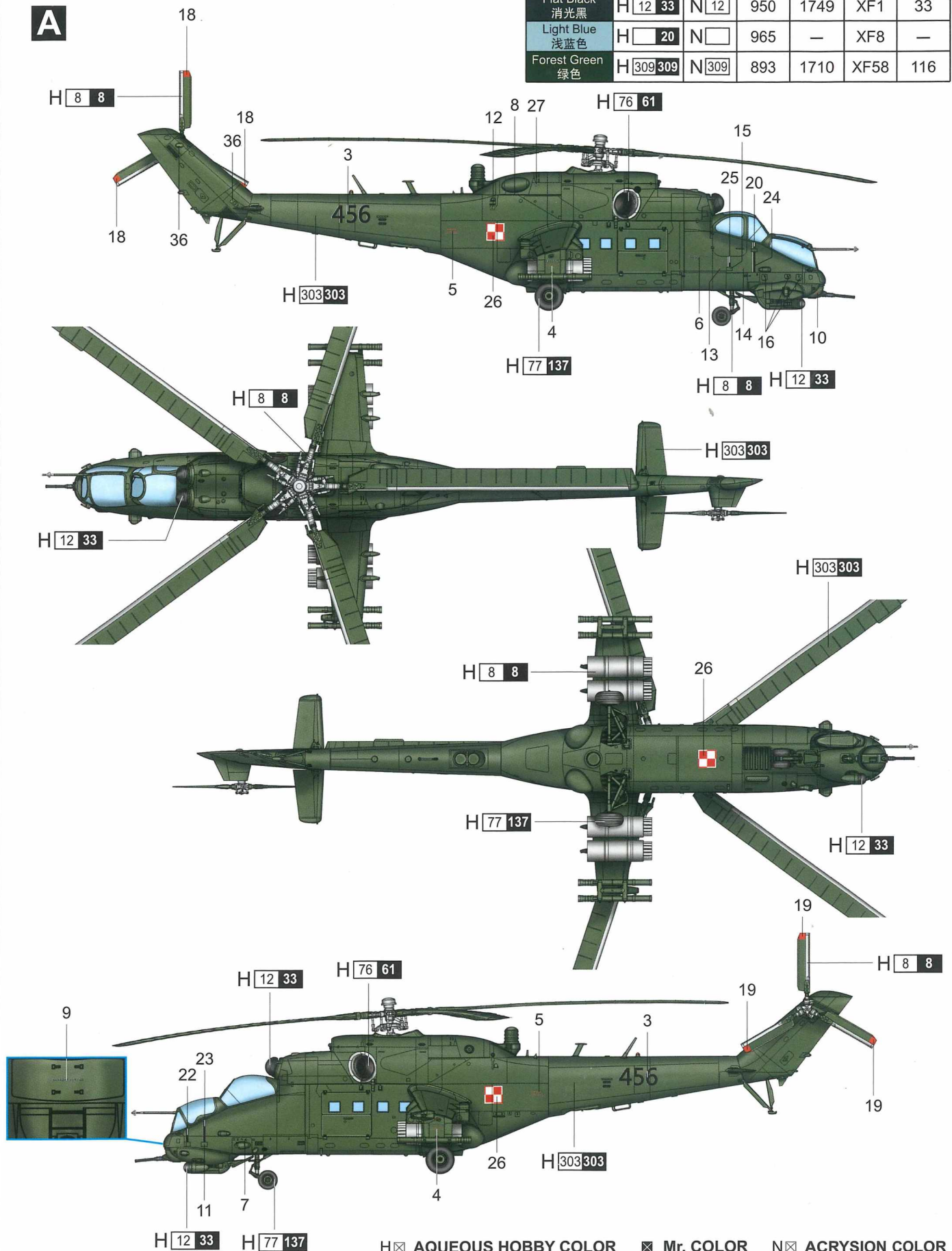
涂装同标贴指示

Painting & Marking guide

PAINT REFERENCE COLOR

Color	Mr.Hobby	Acrycion	Vallejo	Model Master	Tamiya	Humbrol
Silver 银色	H 8 8	N 8	997	1546	X11	11
Middle Stone 土黄色	H 71 21	N 71	821	—	—	84
Flat Black 消光黑	H 12 33	N 12	950	1749	XF1	33
Light Blue 浅蓝色	H 20	N	965	—	XF8	—
Forest Green 绿色	H 309 309	N 309	893	1710	XF58	116

A

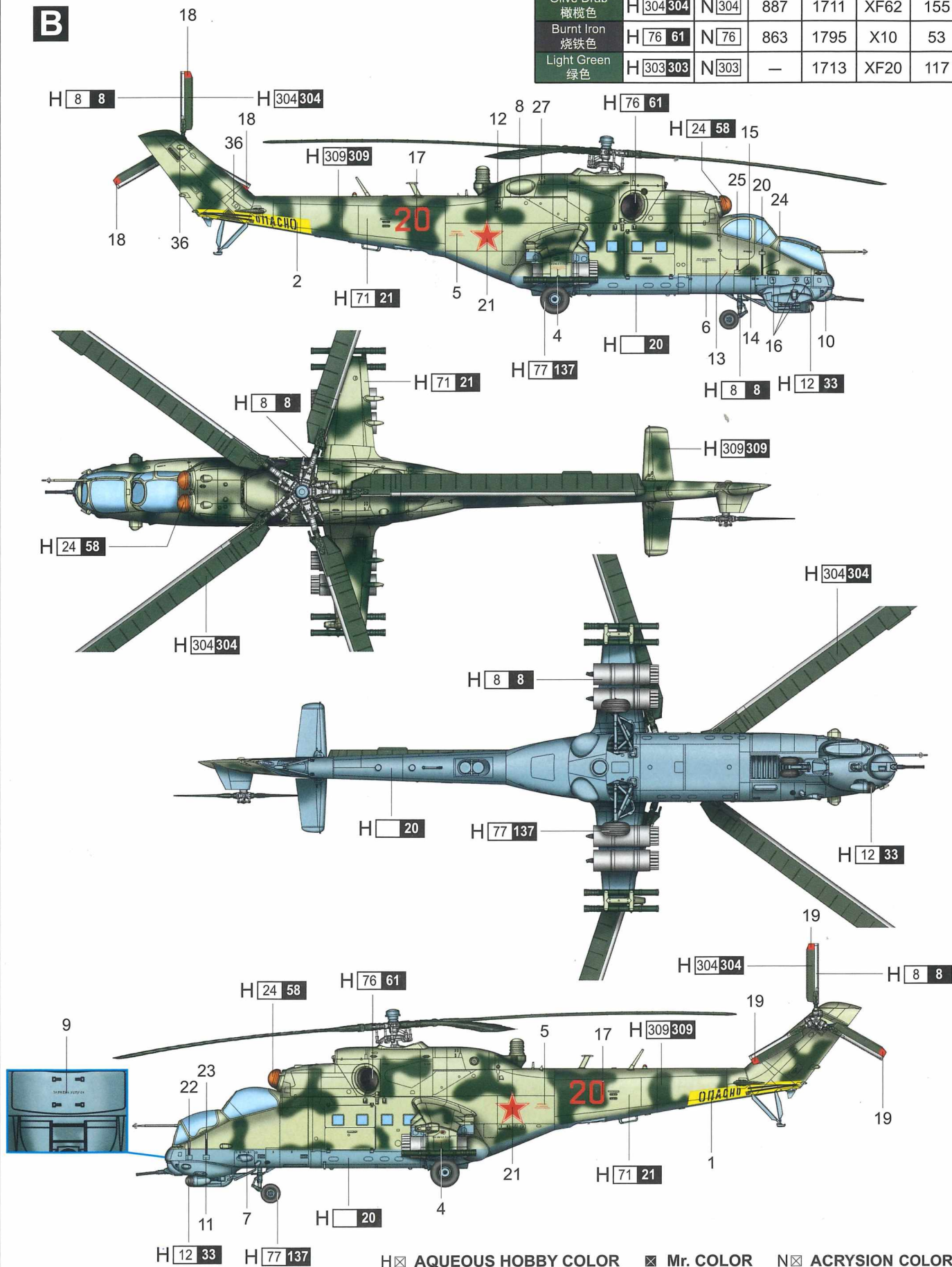


涂装同标贴指示 Painting & Marking guide

PAINT REFERENCE COLOR

Color	Mr.Hobby	Acrycion	Vallejo	Model Master	Tamiya	Humbrol
Tire Black 胎黑色	H 77 137	N 77	—	—	XF85	—
Orange Yellow 黄橙色	H 24 58	N 24	—	—	—	—
Olive Drab 橄榄色	H 304 304	N 304	887	1711	XF62	155
Burnt Iron 烧铁色	H 76 61	N 76	863	1795	X10	53
Light Green 绿色	H 303 303	N 303	—	1713	XF20	117

B



H AQUEOUS HOBBY COLOR X Mr. COLOR N ACRYSION COLOR