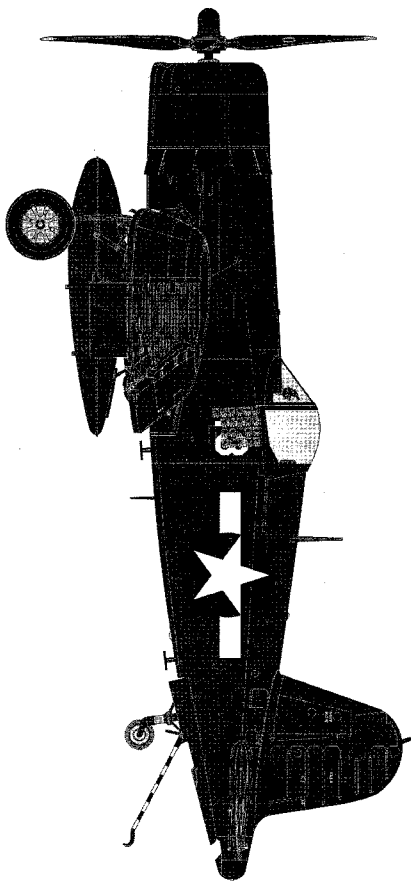


ITEM NO.02222



Vought F4U-4 Corsair

1:32 SCALE

美国F4U-4海盗

READ BEFORE ASSEMBLY

- Study and understand this instructions thoroughly before beginning assembly.
- Remove all injection pins carefully using a modeling file.
- Cut off the photo-etched parts carefully using a modeling knife. Be sure not to lose small parts.
- Apply instant cement to photo etched parts and shafts. Apply too much instant cement will cause movable parts to stick. Apply cement carefully.
- Extra care should be taken to avoid personal injury when handling the photo etched parts.
- Some parts should depend on decals: Select prior to assembly.
- Tools recommended: (Not included in this kit)
Cement; Side cutters; Long nose pliers; Modeling knife; Modeling file; Tweezers; Pin vise; Scissors; Instant cement.
- Soft cloth and sand paper will also assist in construction.
- Glue and paints are not included in the kit. Use plastic cement or paints only.
- Keep out of reach of small children. Children must not be allowed to suck any part, or pull vinyl bag over the head.

装配之前仔细阅读

- 小心用模型锉刀锉平所有零件表面的注射浇口。
- 小心用刀片切下蚀刻片零件，不要遗失小零件。
- 用强力快干胶水粘合蚀刻片零件和金属轴。过量的快干胶水使用可能导致可动零件会粘住，小心涂胶。
- 取蚀刻片时应特别注意安全，防止利边划伤手指。
- 某些零件表面需贴水上贴纸，请选择在装配的同时进行。
- 推荐模型工具(自备)：胶水，水口剪刀，长咀钳，刀片，锉刀，镊子钳，钻，剪刀，瞬间快干胶。
- 软布同砂纸同时也应该是必备工具。
- 请使用塑料胶水和油漆，模型内不含。
- 谨防小孩吮吸塑料零件，或者将塑料袋套在头上，制作时应将套材远离小孩接触。

水贴纸的使用:

1. 从水贴纸上剪下印花;
2. 将印花放入温水中浸10秒, 然后放在干净布上.
3. 拿着印花纸板将印花移到模型上;
4. 手指蘸水将印花移到适当的位置;
5. 用软布轻压印花直至水干, 汽泡消失.

DECAL APPLICATION

1. Cut off decal from sheet.
2. Dip the decal in tepid water 40° C for about 10 sec. and place on a clean cloth.
3. Hold the backing sheet edge and slide decal onto the model.
4. Move decal into position by wetting decal with finger.
5. Press decal gently down with a soft cloth until excess water and air bubbles are gone.



cyanoacrylate glue
使用强力胶



weight
配置



make hole
钻孔



cut / remove
切除



bend
弯曲



file / sand
锉平



option
选择



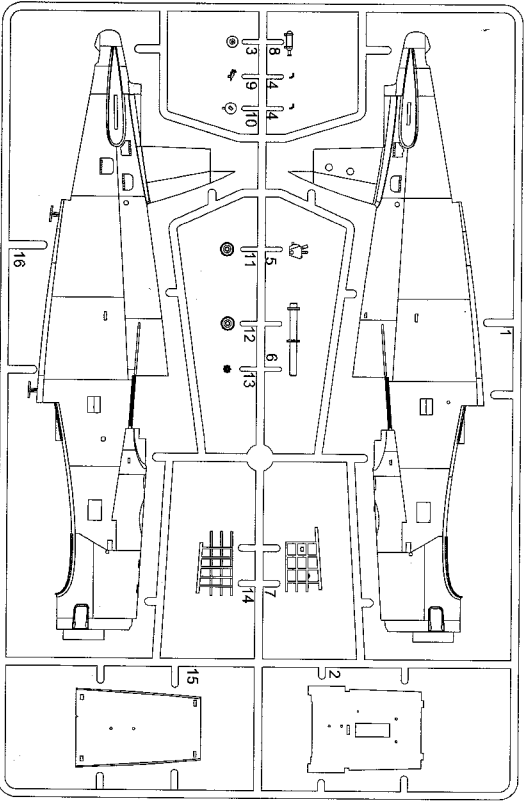
no cement
不涂胶水



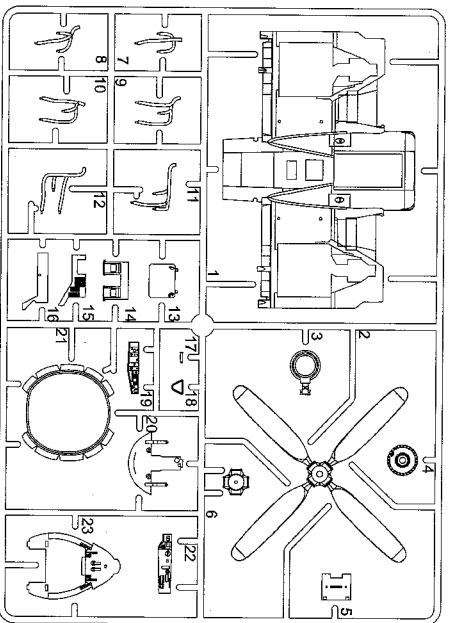
decal
贴纸

部品图
Parts

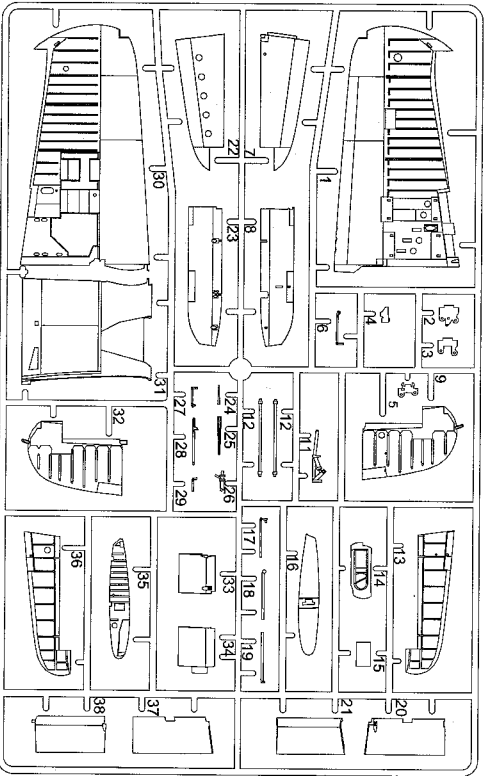
A



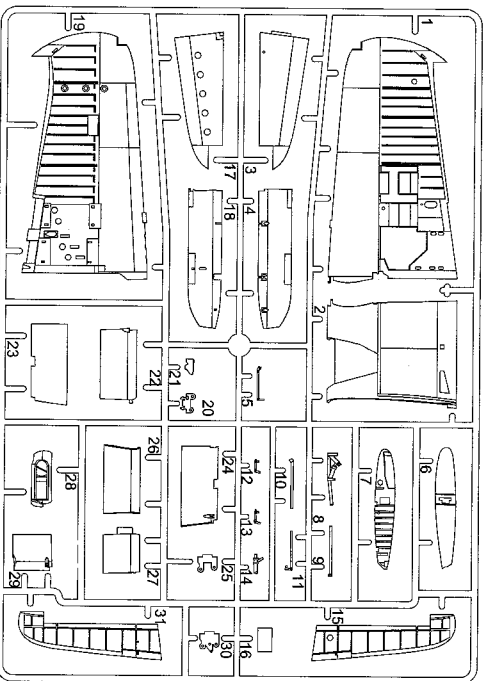
B

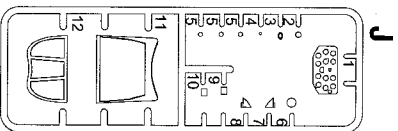
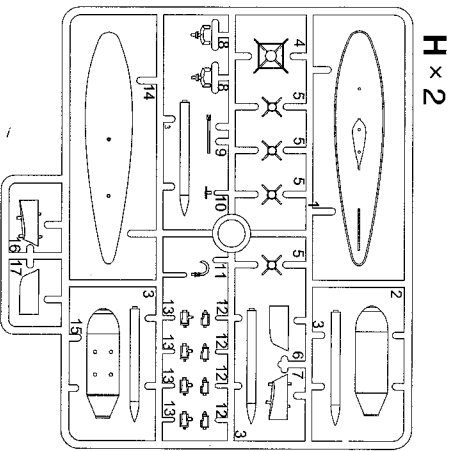
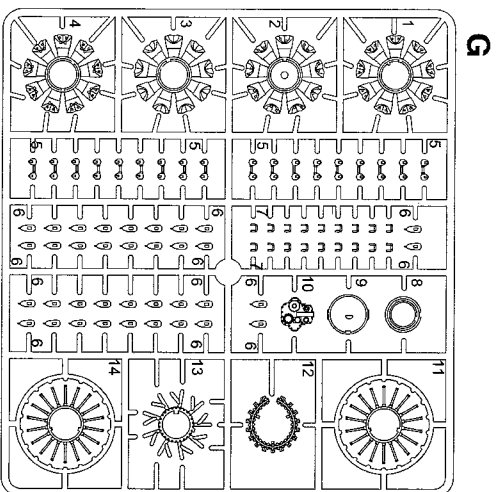
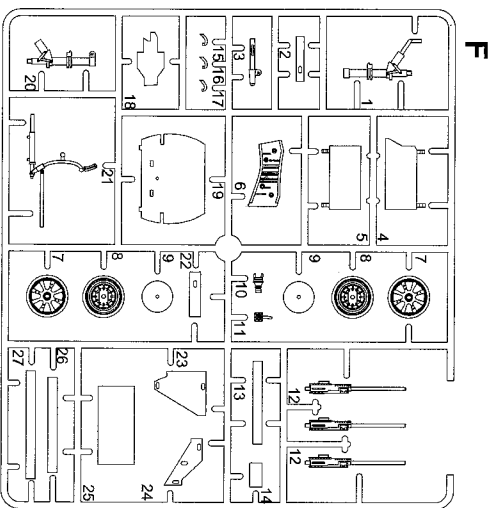
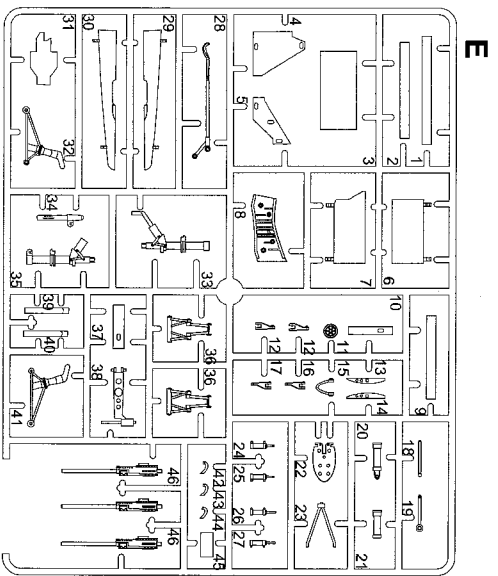


C



D





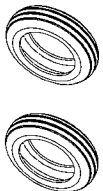
H × 2

J

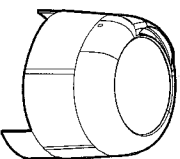
《尾轮胎》
Tail tire



《主轮胎》
Main tire



《引擎罩》
Cowling



《菲林》
Film

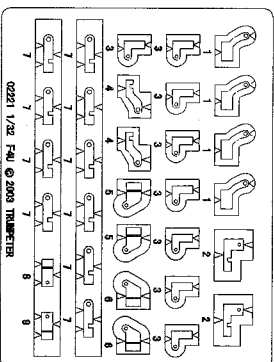


轴
Shaft

铜丝
Brass wire

- ø1.0 × 47mm 4PCS
- ø1.0 × 8mm 1PCS
- ø1.0 × 3.8mm 2PCS
- ø0.8 × 70mm 1PCS

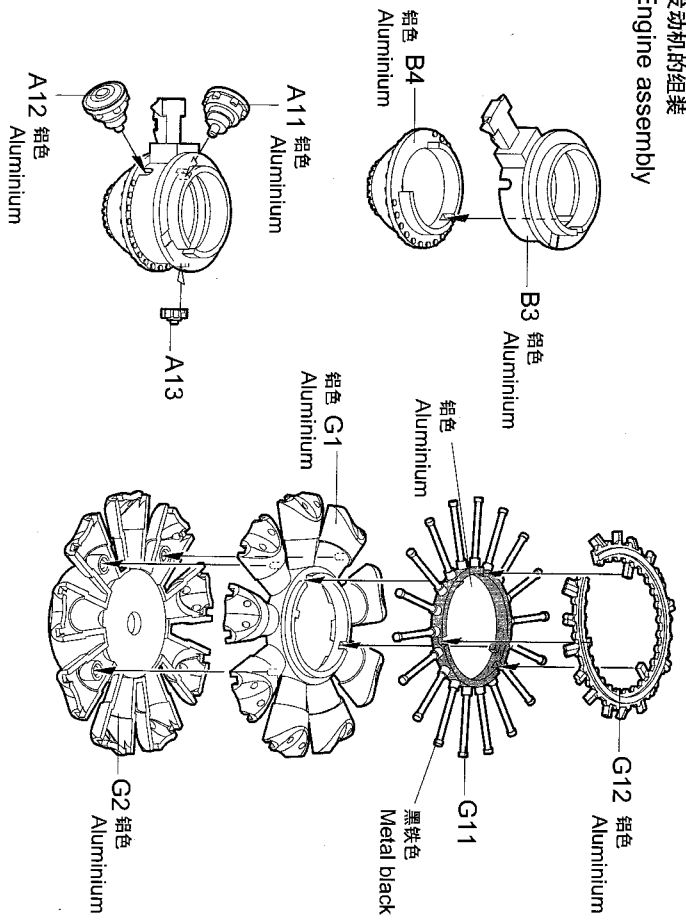
《蚀刻片》
Photo etched part(PE)



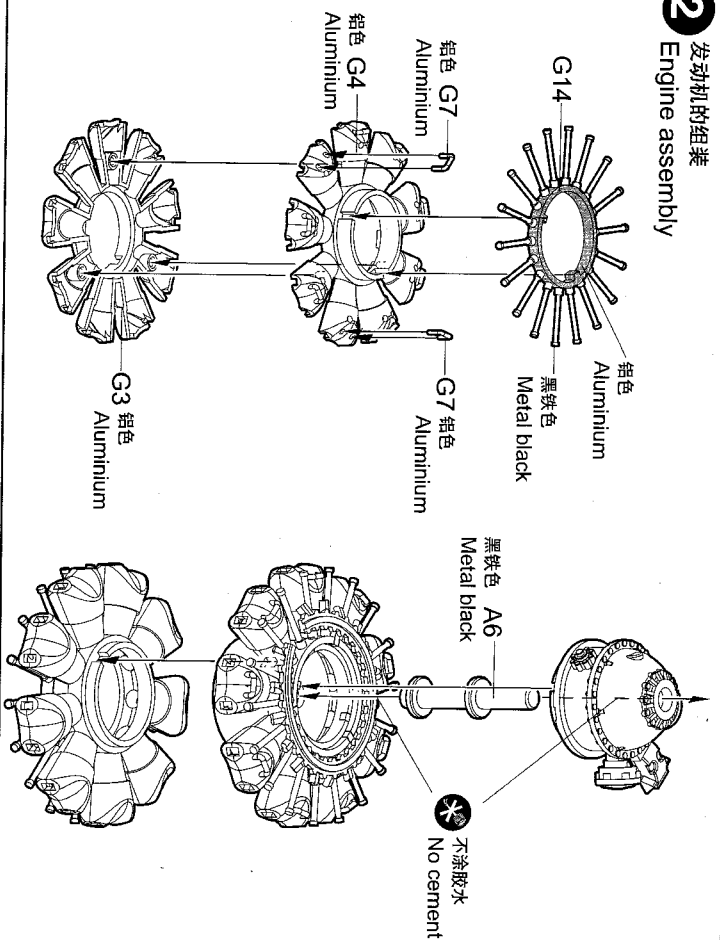
《水贴纸》
Decal

02221 1/32 F4U © 2008 TRUMPETER

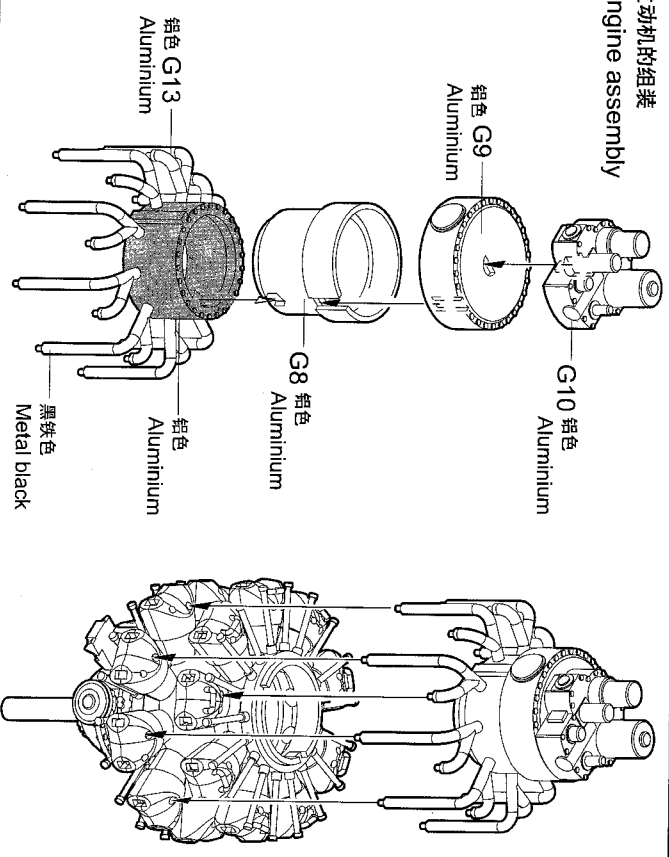
1 发动机的组装
Engine assembly



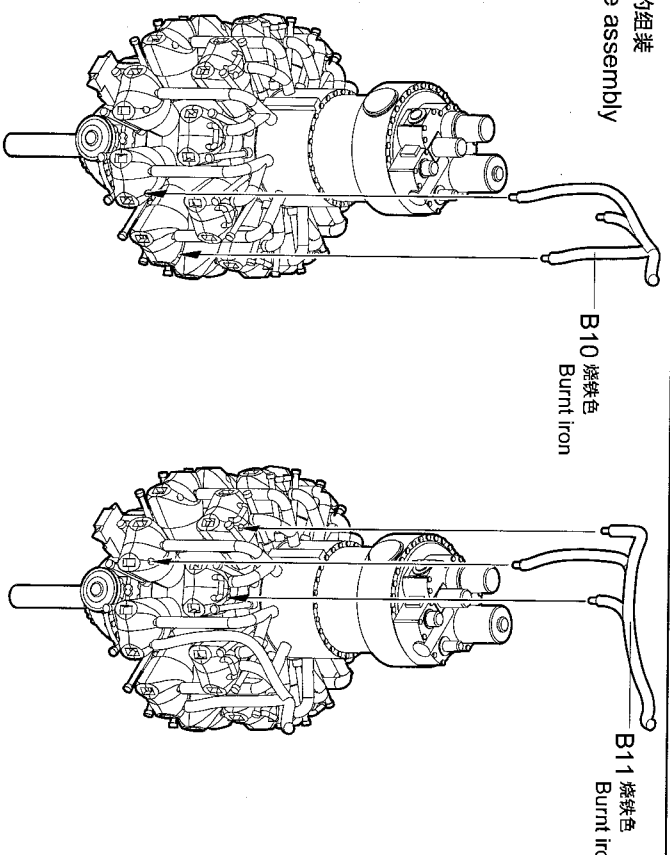
2 发动机的组装
Engine assembly



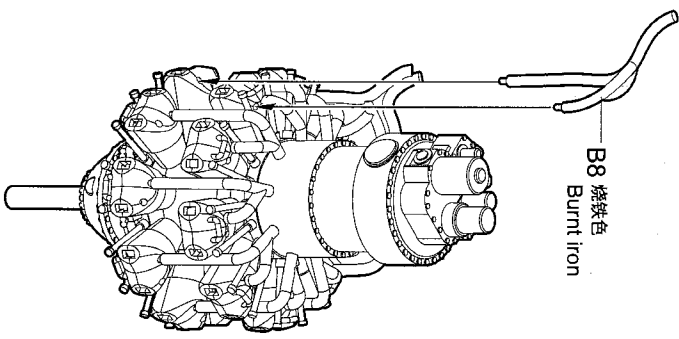
3 发动机的组装
Engine assembly



4 发动机的组装
Engine assembly

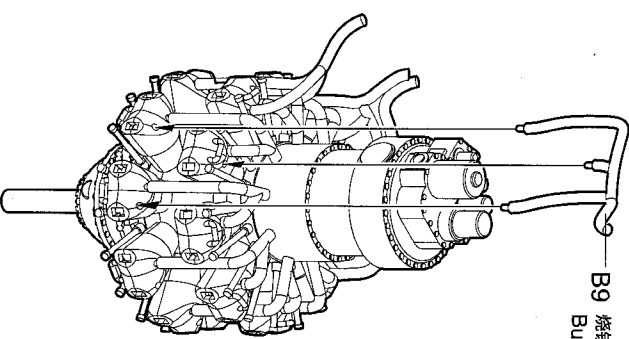


5 发动机的组裝
Engine assembly



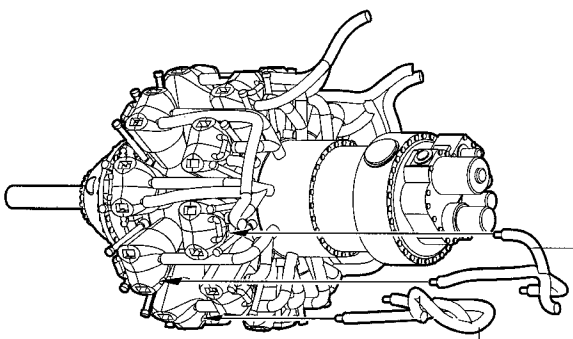
B8 烧铁色
Burnt iron

6 发动机的组裝
Engine assembly



B9 烧铁色
Burnt iron

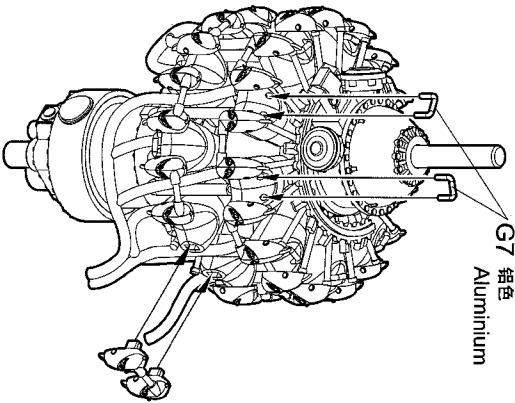
7 发动机的组裝
Engine assembly



B7 烧铁色
Burnt iron

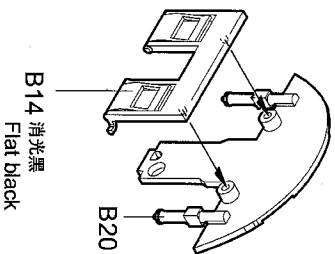
B12 烧铁色
Burnt iron

8 发动机的组裝
Engine assembly



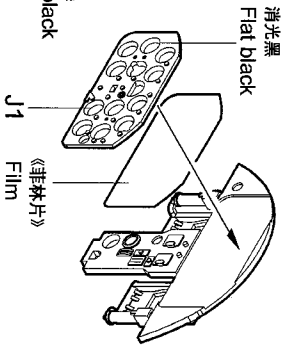
G7 铝色
Aluminium

9 仪表板和座椅的组裝
Instrument panel & pilot seat assembly



B14 消光黑
Flat black

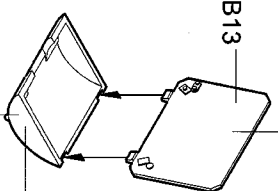
B20 消光黑
Flat black



消光黑
Flat black

J1
「菲林片」
Film

B13

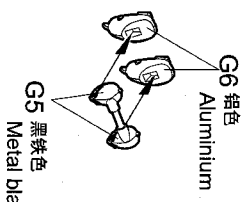


B5

机体内部绿
US Interior green AN611

机体内部绿
US Interior green AN611

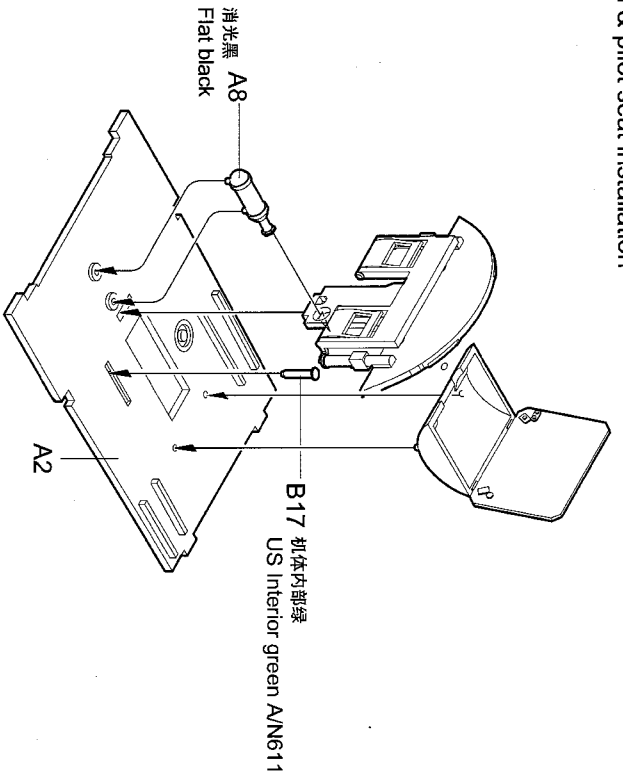
制作18组
Make eighteen



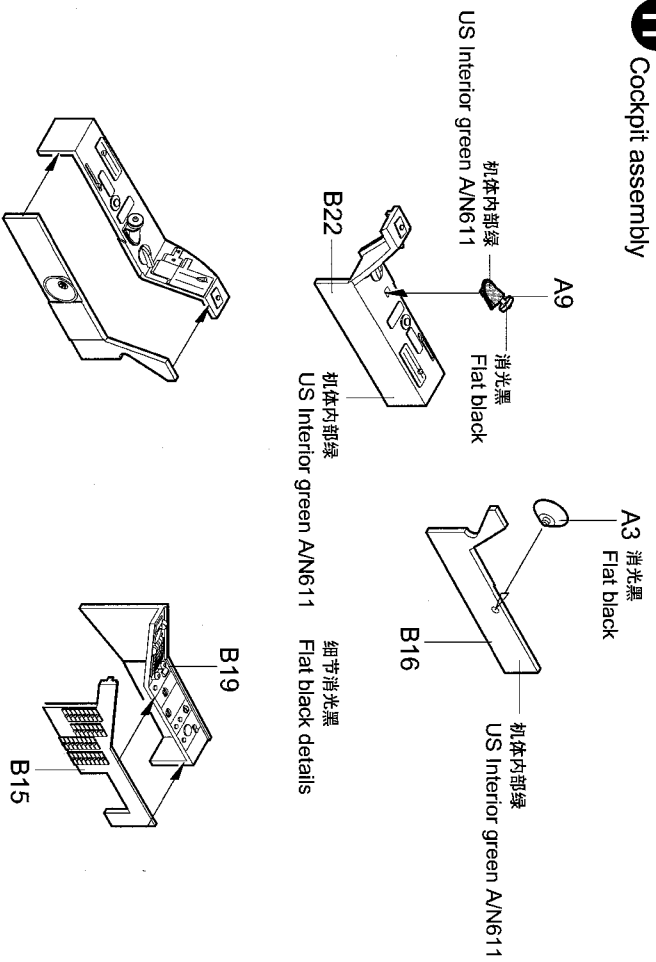
G6 铝色
Aluminium

G5 黑铁色
Metal black

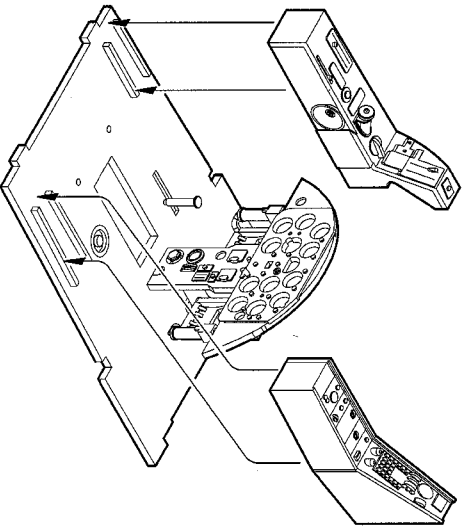
10 仪表板和座椅的安装
Instrument panel & pilot seat installation



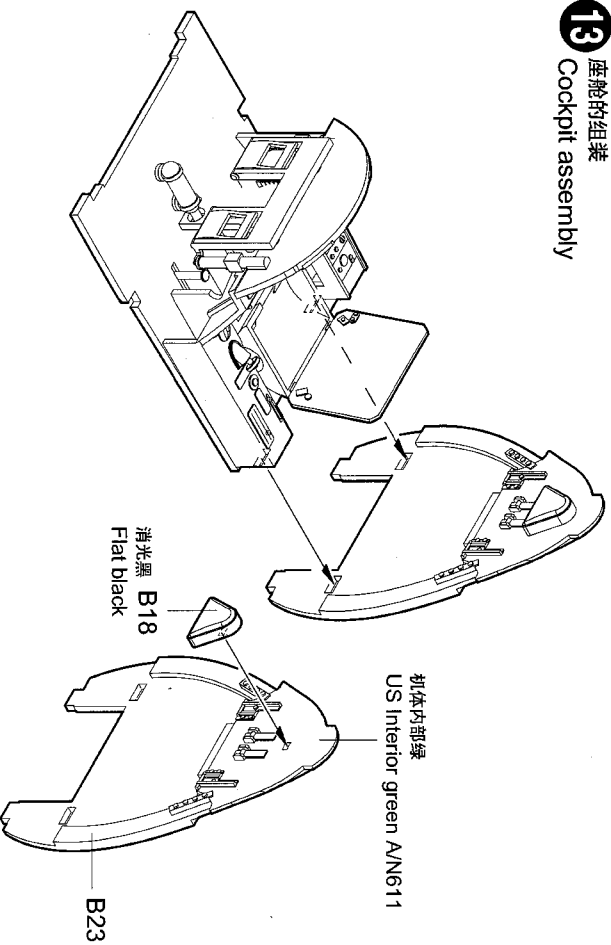
11 座舱的组装
Cockpit assembly



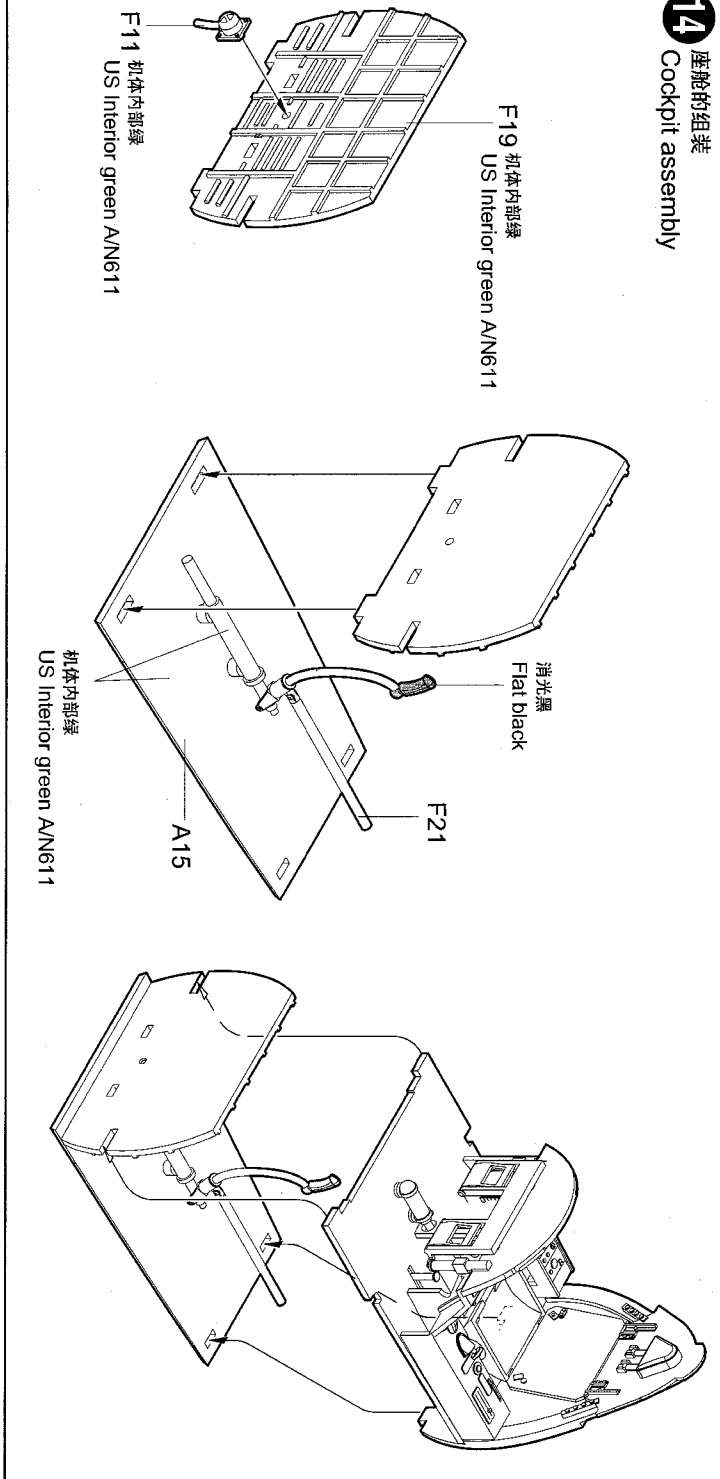
12 座舱的组装
Cockpit assembly



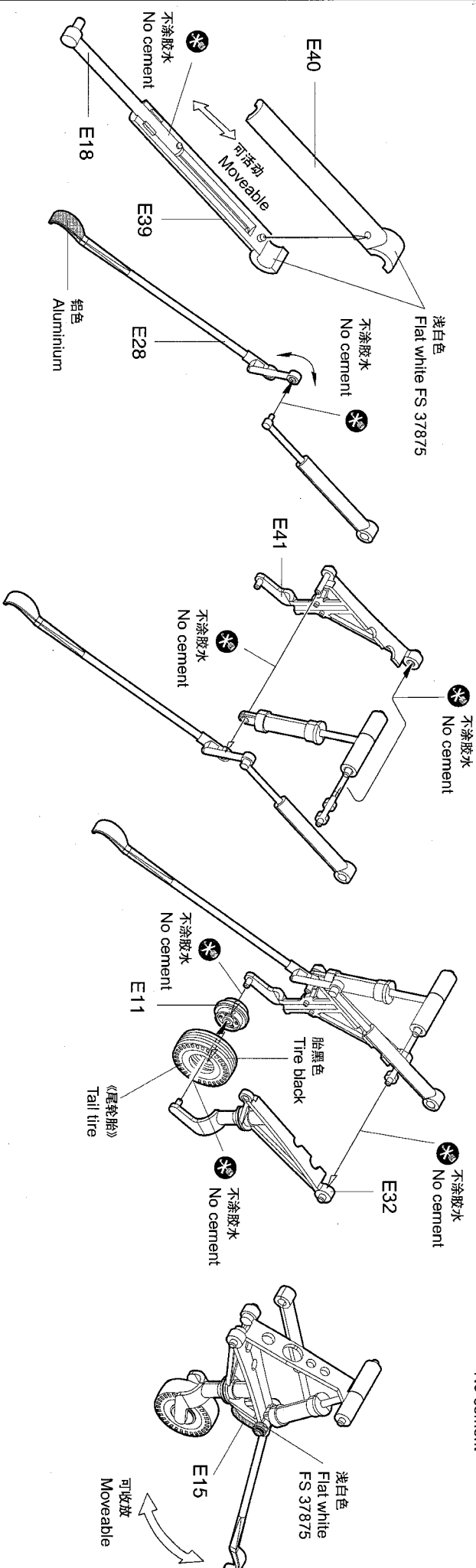
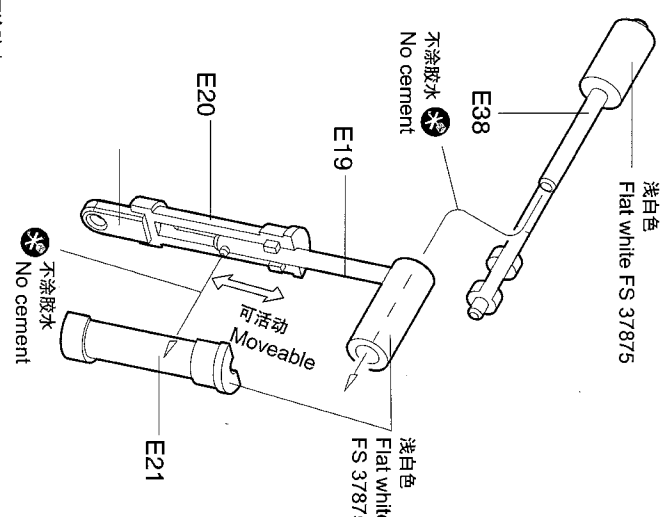
13 座舱的组装
Cockpit assembly



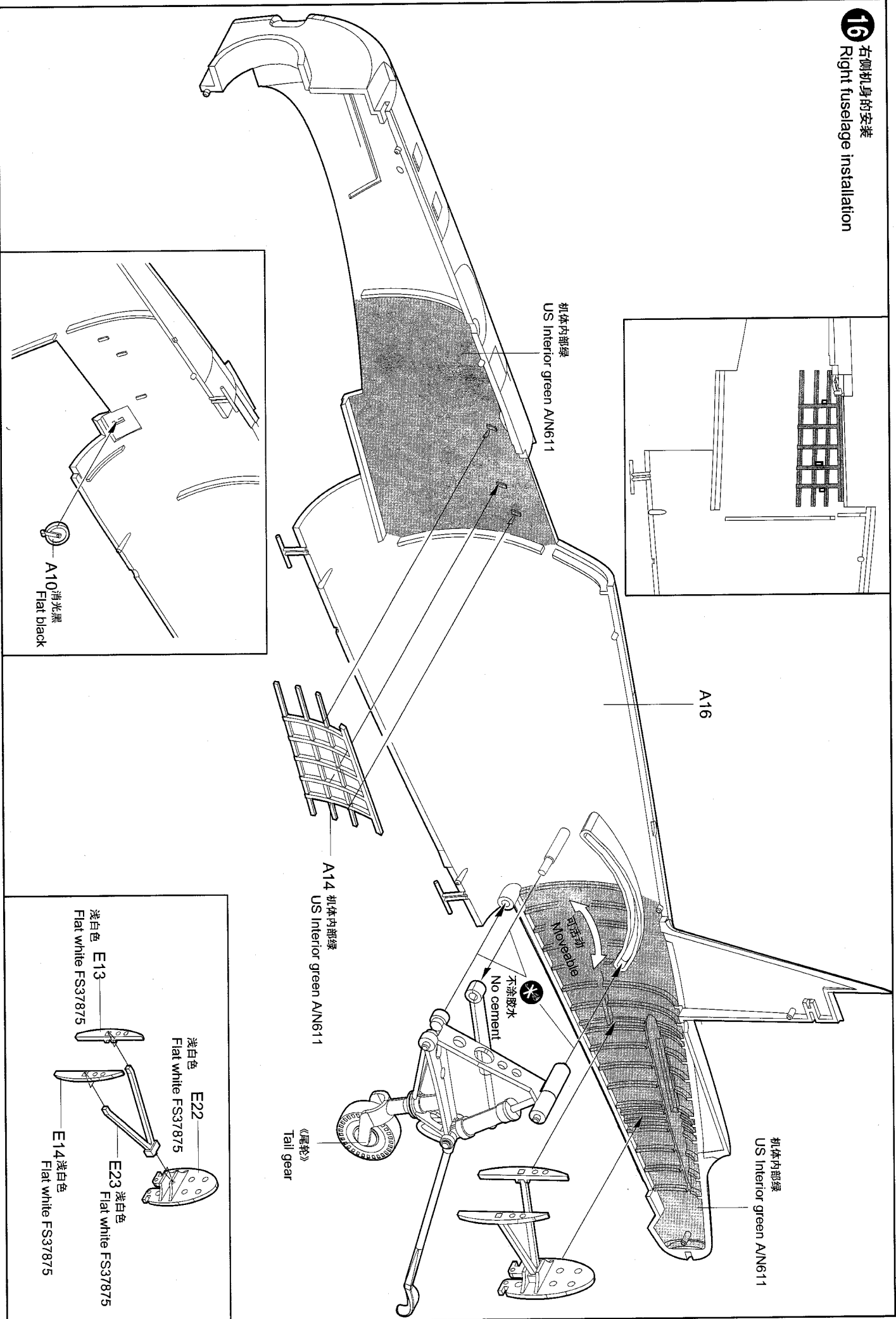
14 座舱的组装
Cockpit assembly



15 尾轮的组装
Tail gear assembly

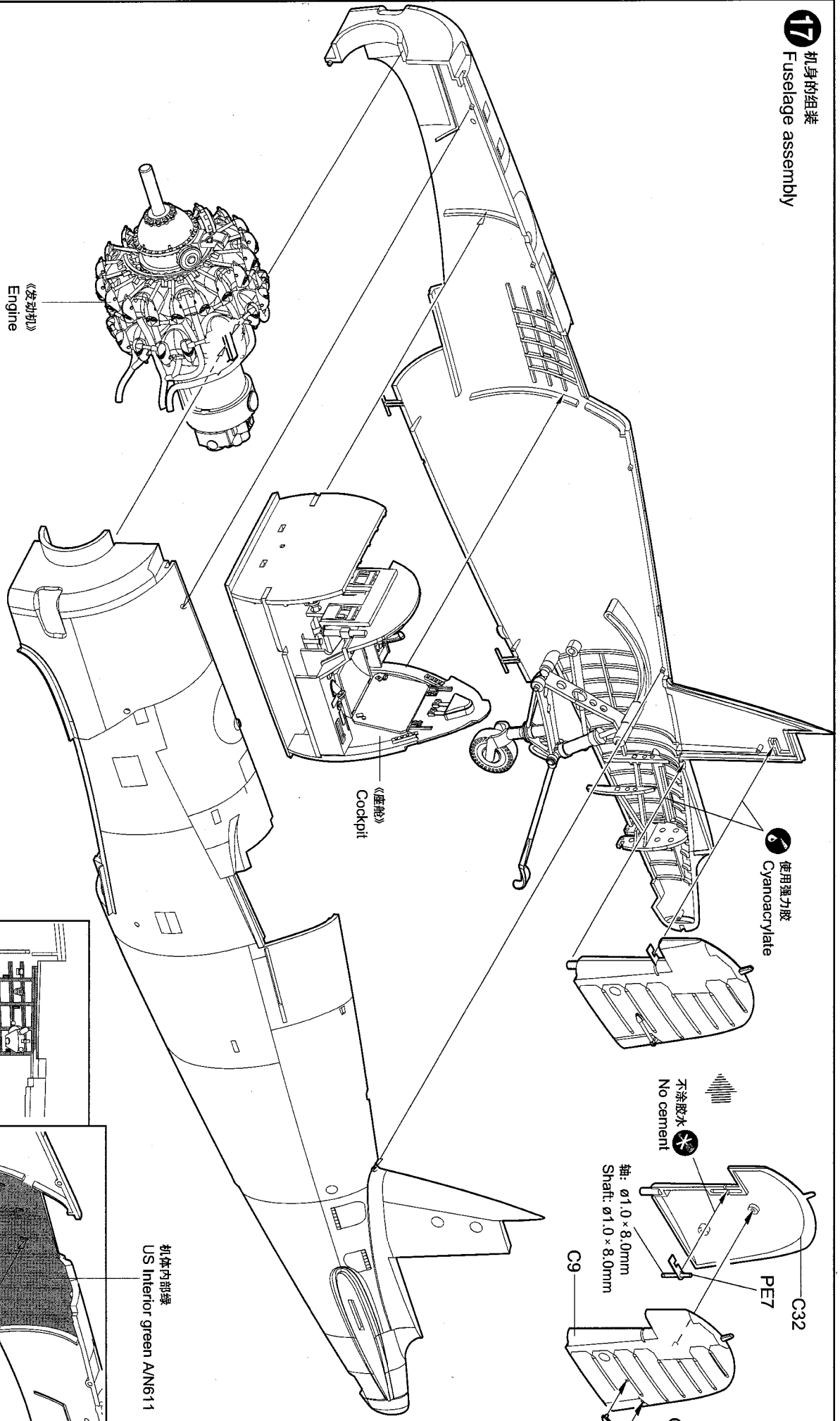


16 右侧机身的安装
Right fuselage installation



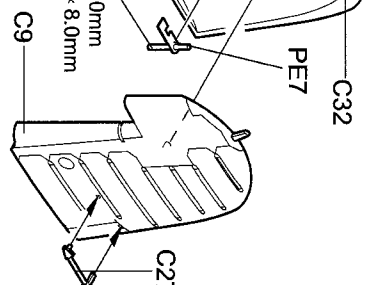
022222

17 机身的组装
Fuselage assembly

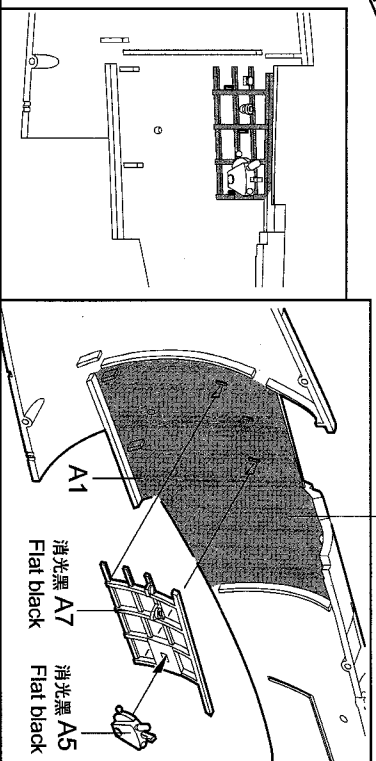


不涂胶水
No cement

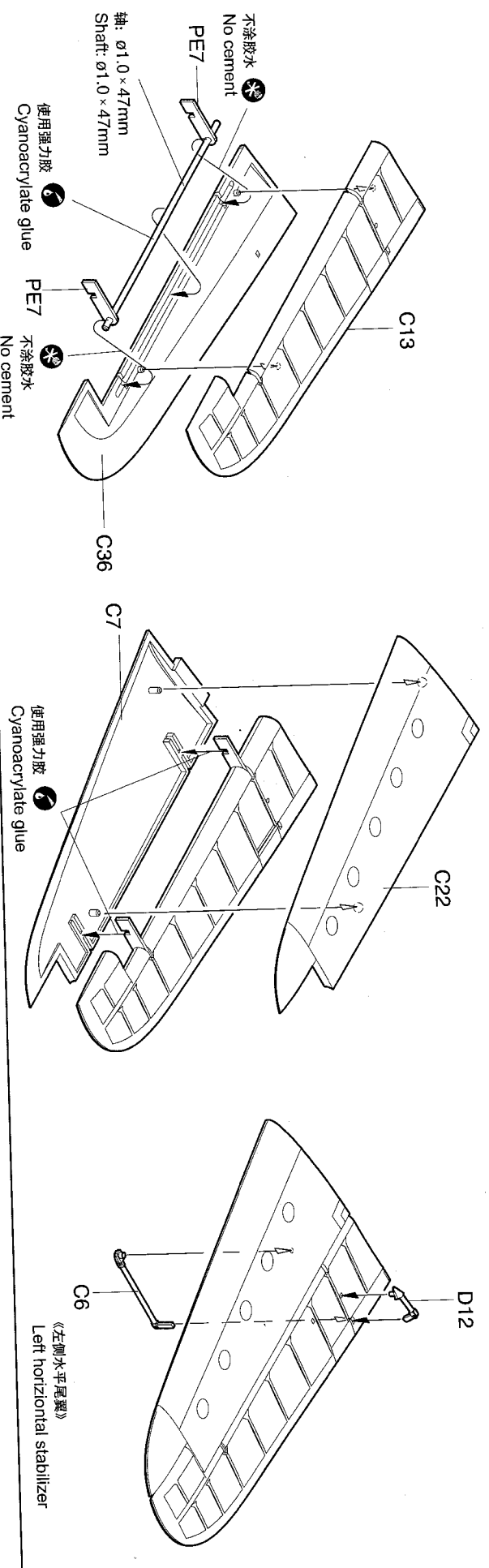
轴: $\phi 1.0 \times 8.0\text{mm}$
Shaft: $\phi 1.0 \times 8.0\text{mm}$



机体内部绿
US Interior green AN/611

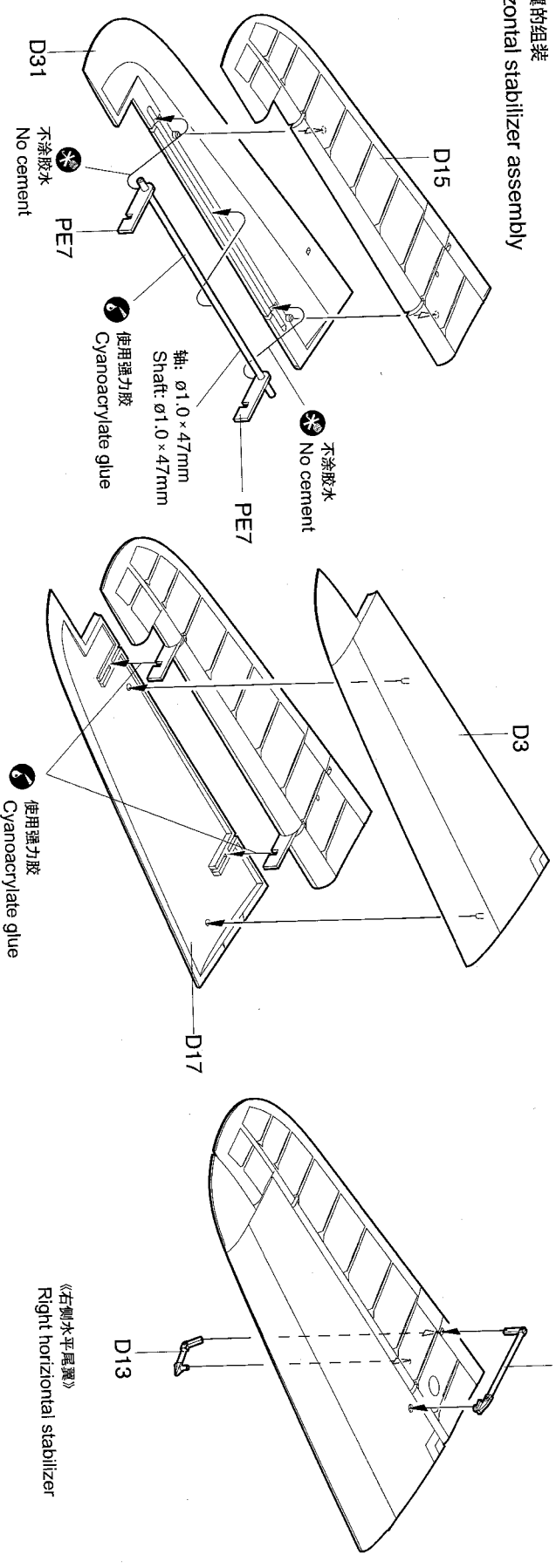


18 左侧水平尾翼的组装
Left horizontal stabilizer assembly



《左侧水平尾翼》
Left horizontal stabilizer

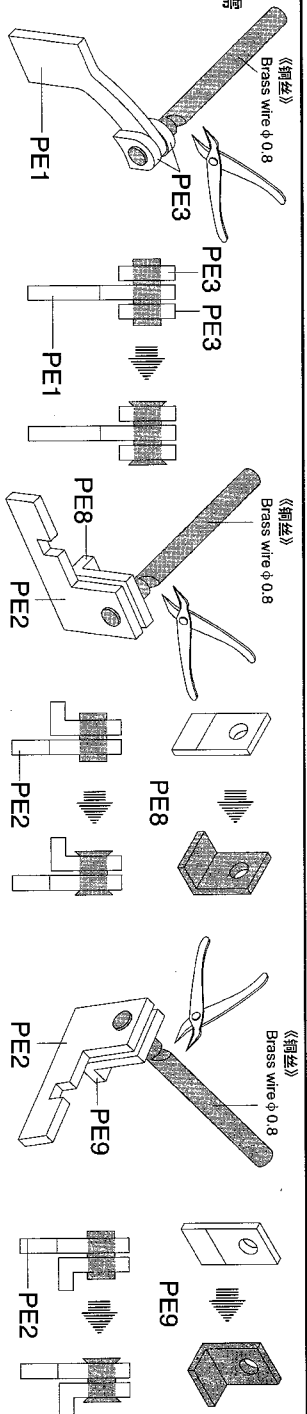
19 右侧水平尾翼的组装
Right horizontal stabilizer assembly



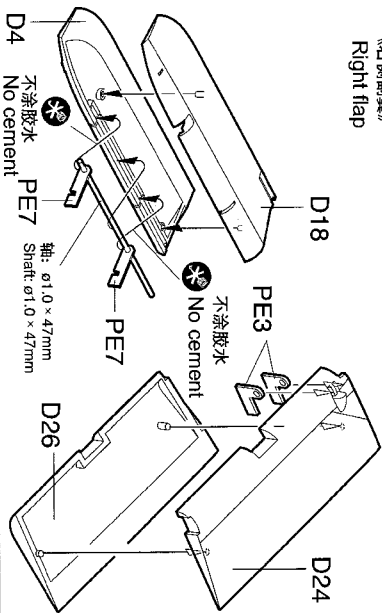
《右侧水平尾翼》
Right horizontal stabilizer

20 襟翼与副翼的组装
Wing aileron and
outboard flap
assembly

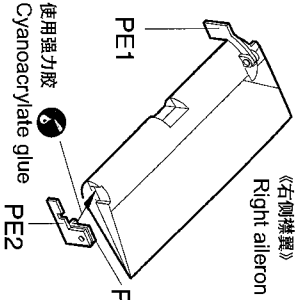
将铜丝穿过蚀刻片，切下所需长度，然后修整两端。
Insert brass wire into PE parts and cut to required length and trim the ends.



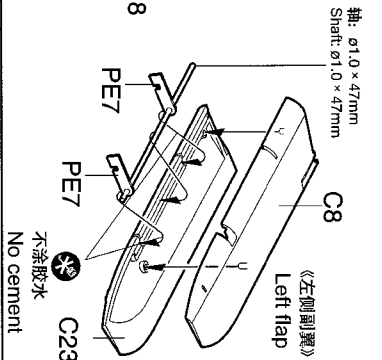
《右侧副翼》
Right flap



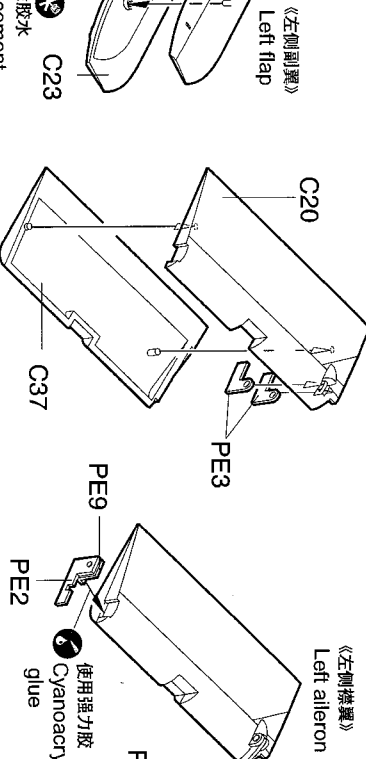
《右侧襟翼》
Right aileron



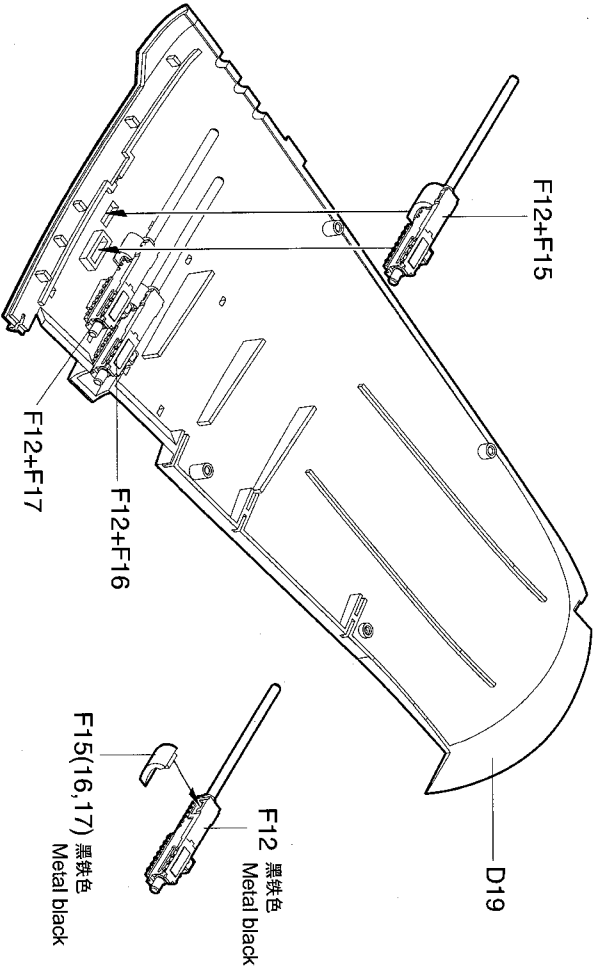
《左侧副翼》
Left flap



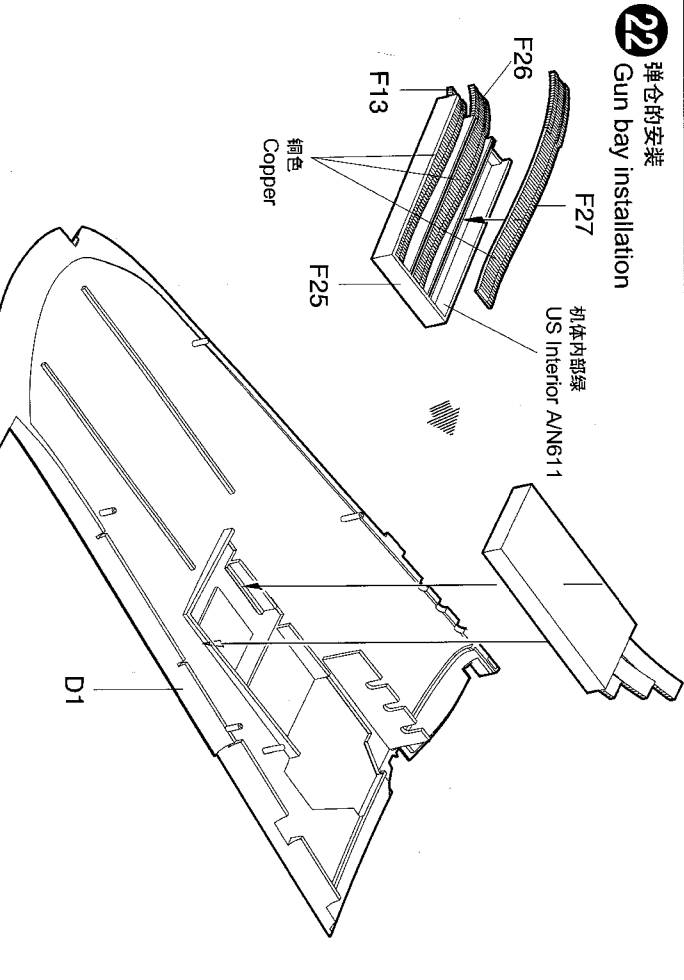
《左侧襟翼》
Left aileron



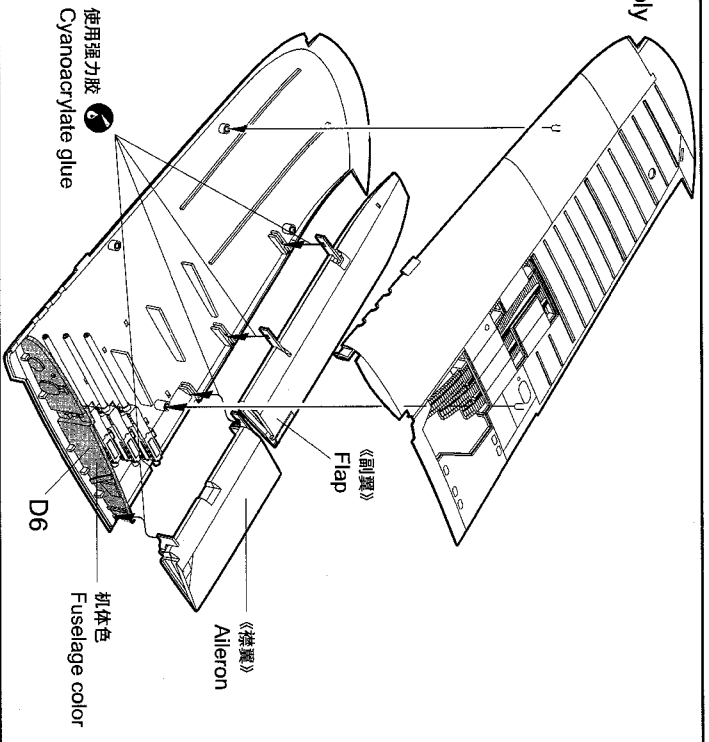
21 M2机枪的安装
M2 machine gun installation



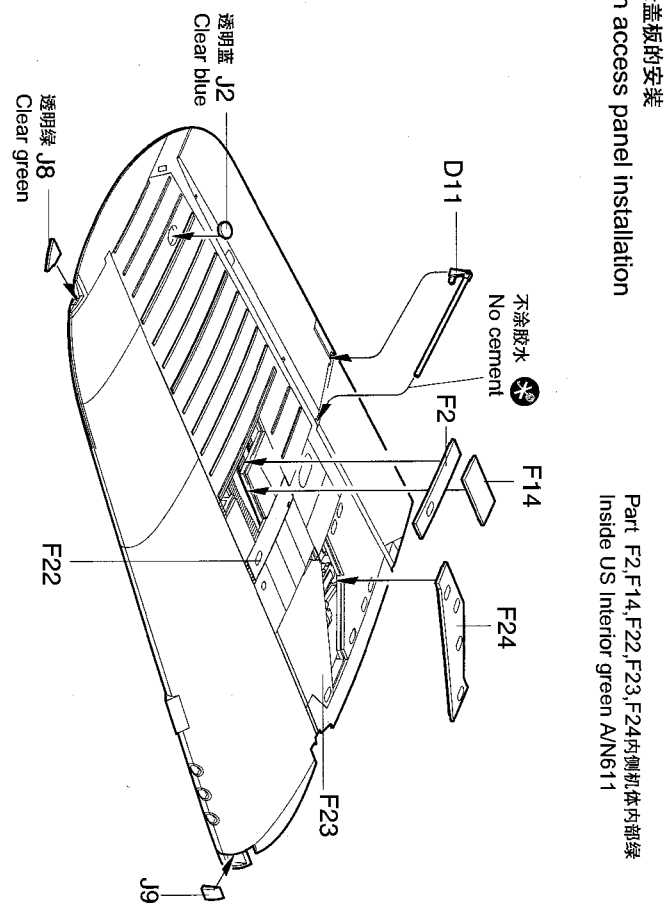
22 弹仓的安装
Gun bay installation



23 右侧机翼的组装
Right wing assembly

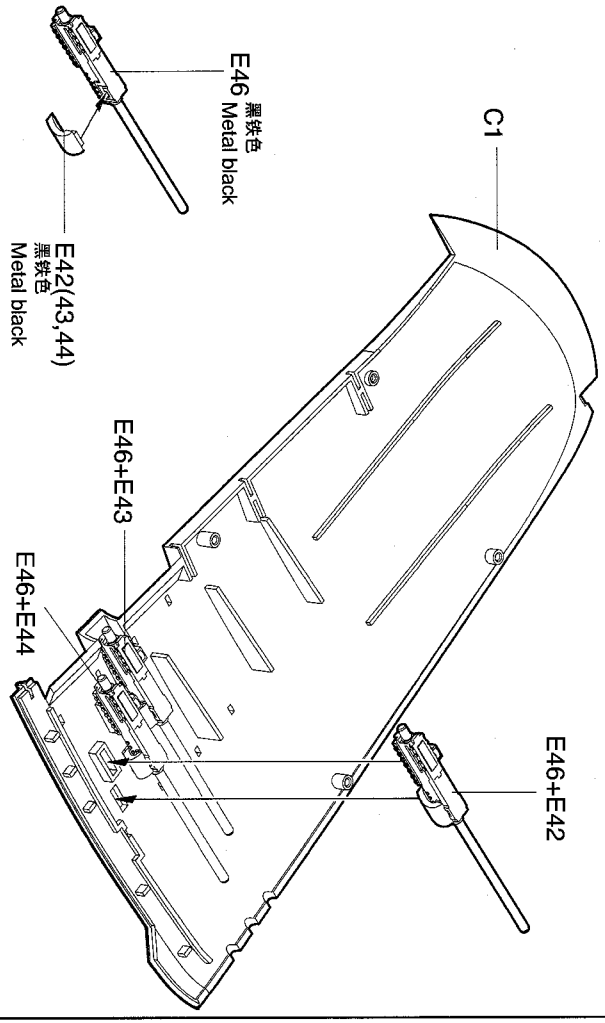


24 弹仓盖板的安装
Gun access panel installation

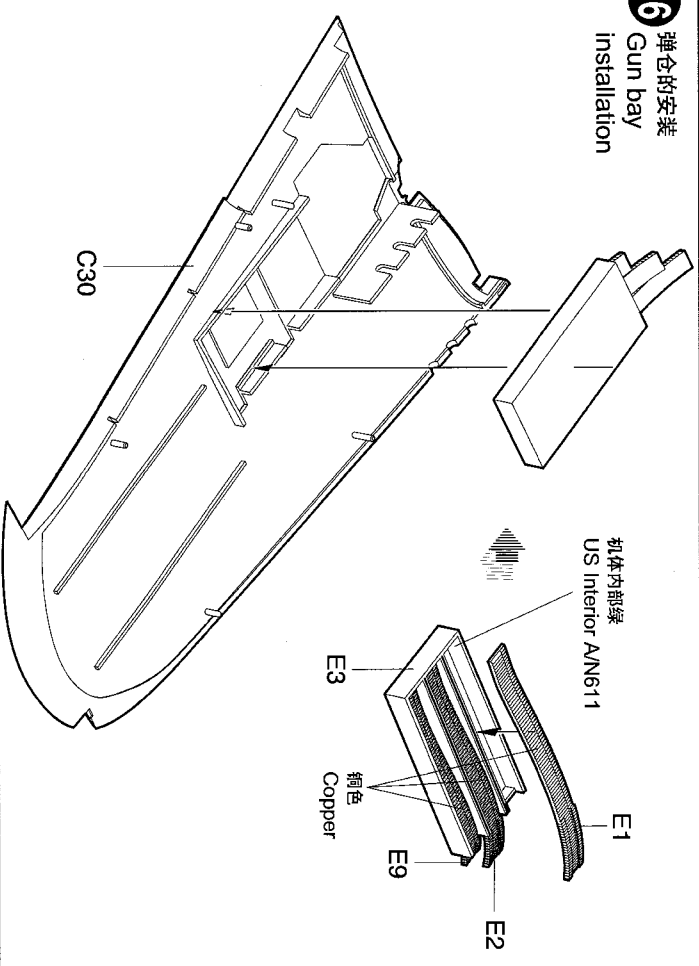


Part F2,F14,F22,F23,F24内侧机体内部绿
Inside US Interior green AN611

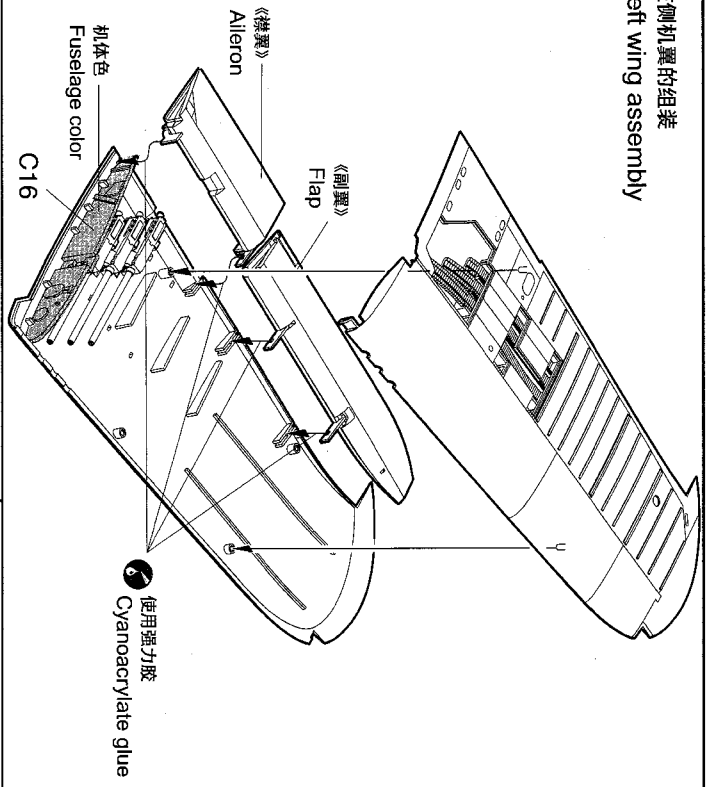
25 M2机枪的安装
M2 machine gun installation



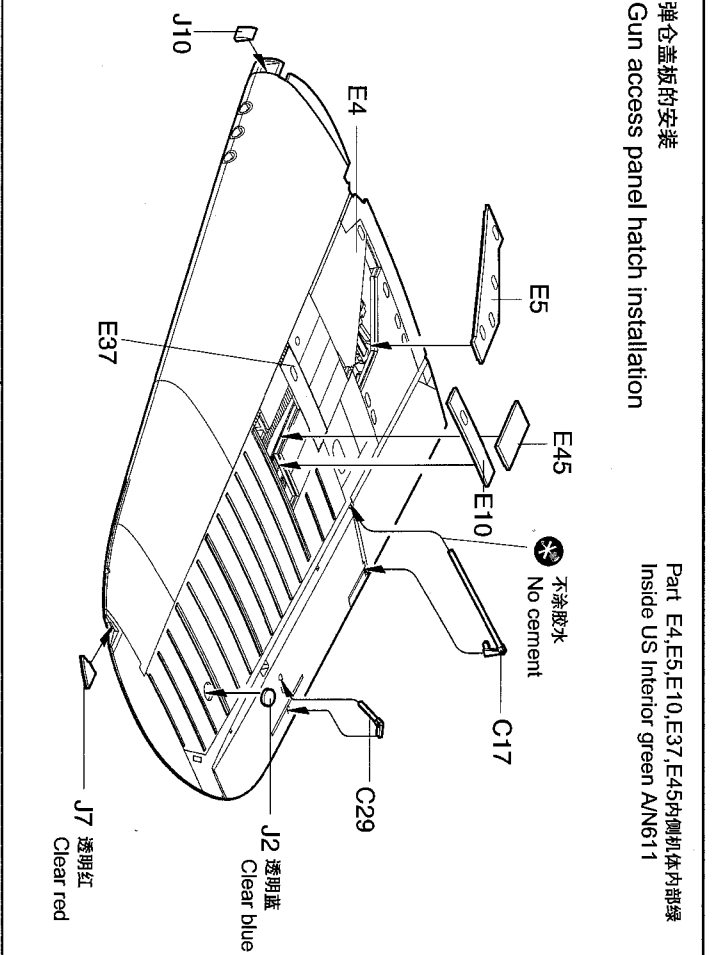
26 弹仓的安装
Gun bay installation



27 左侧机翼的组装
Left wing assembly

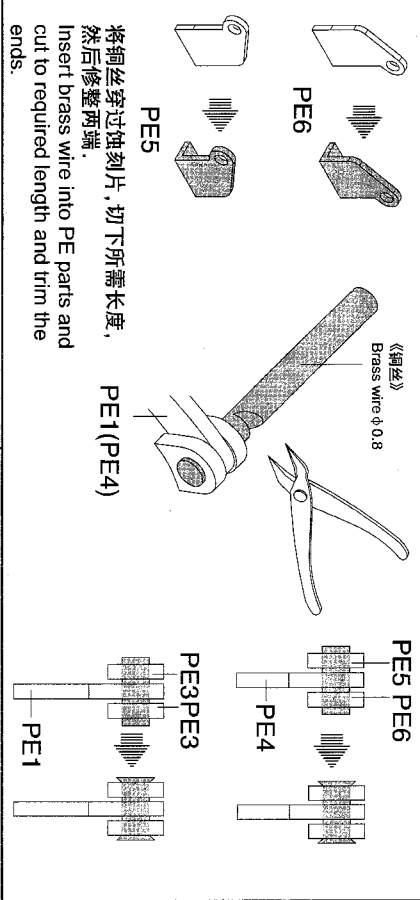
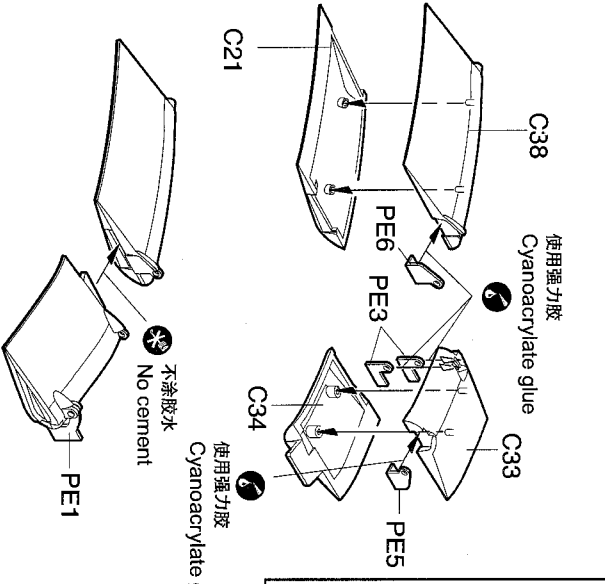


28 弹仓盖板的安装
Gun access panel hatch installation

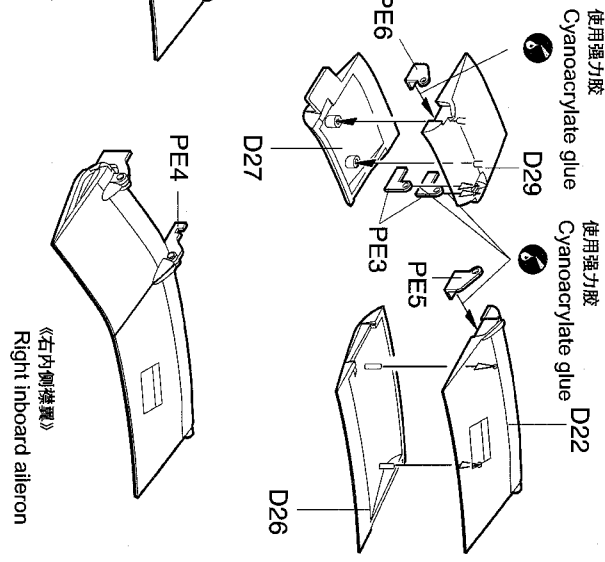


Part E4,E5,E10,E37,E45内机体内部绿
Inside US Interior green AVN611

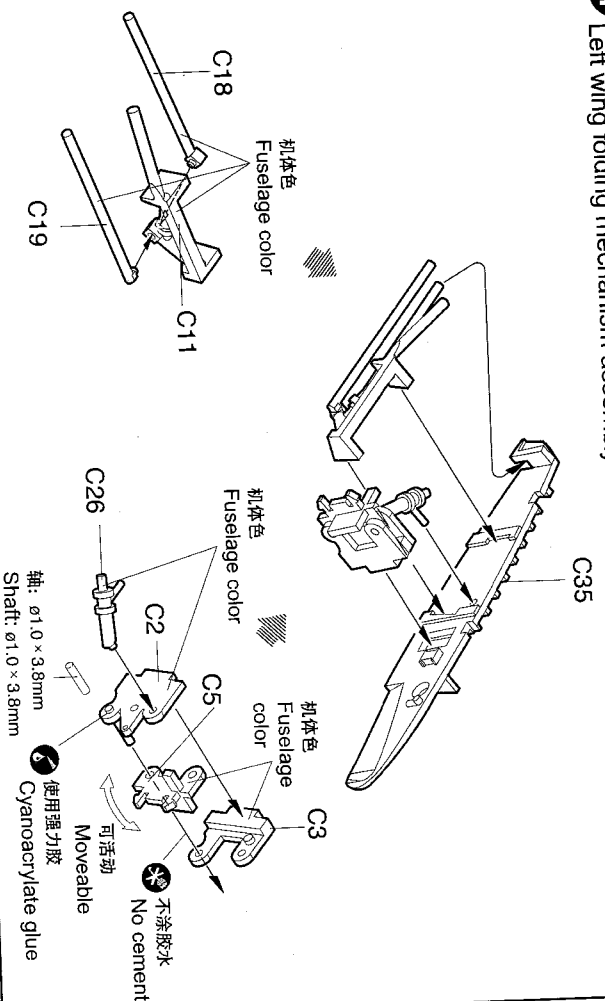
29 左内侧襟翼的组装
Left inboard aileron assembly



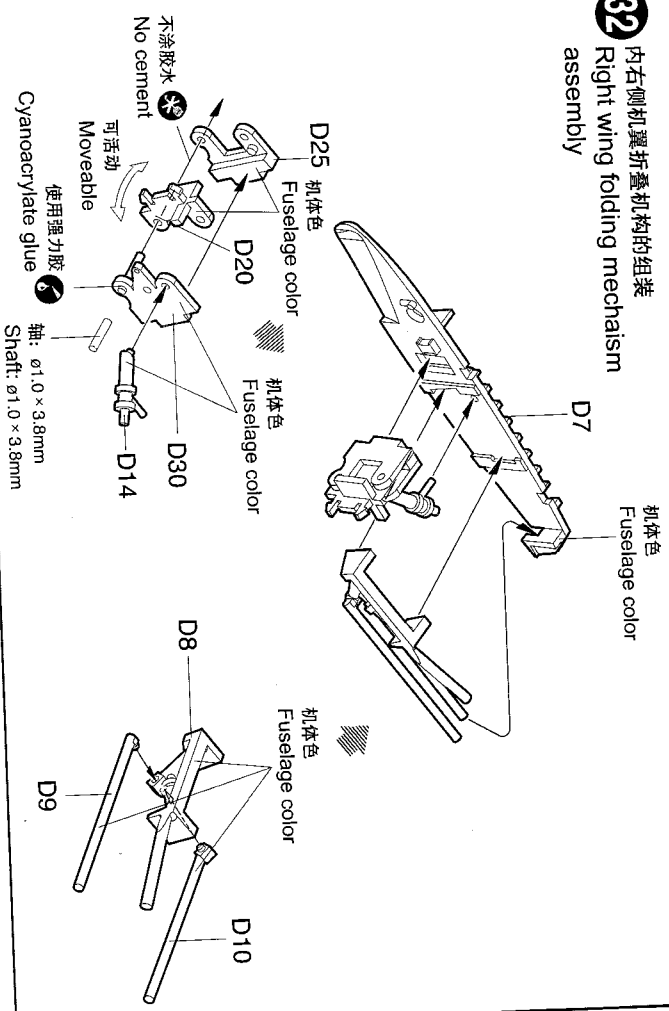
30 右内侧襟翼的组装
Right inboard aileron assembly



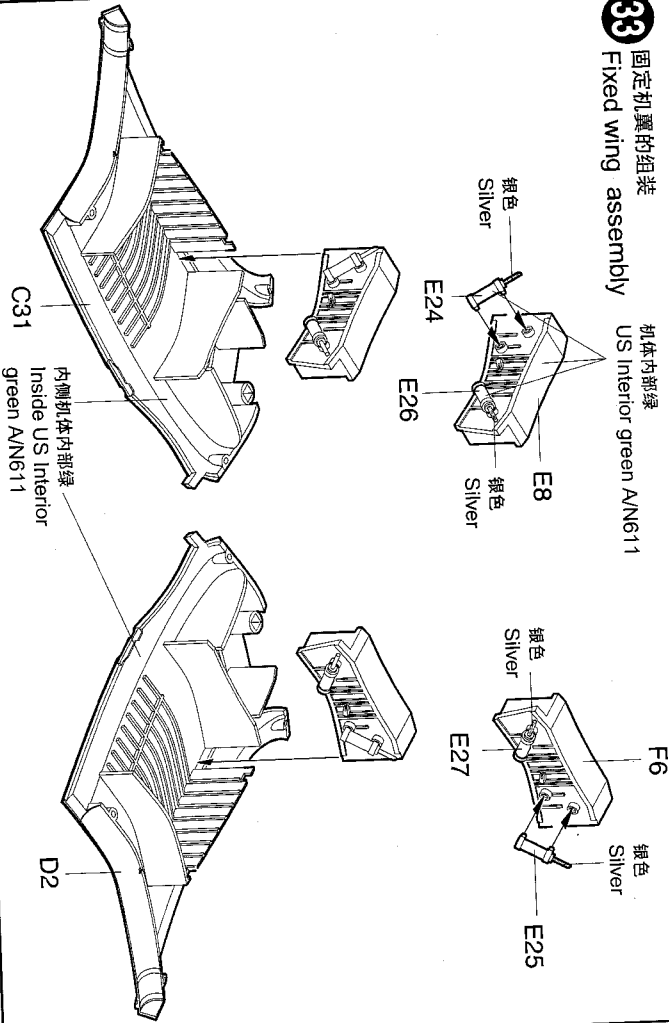
31 左侧机翼折叠机构的组装
Left wing folding mechanism assembly



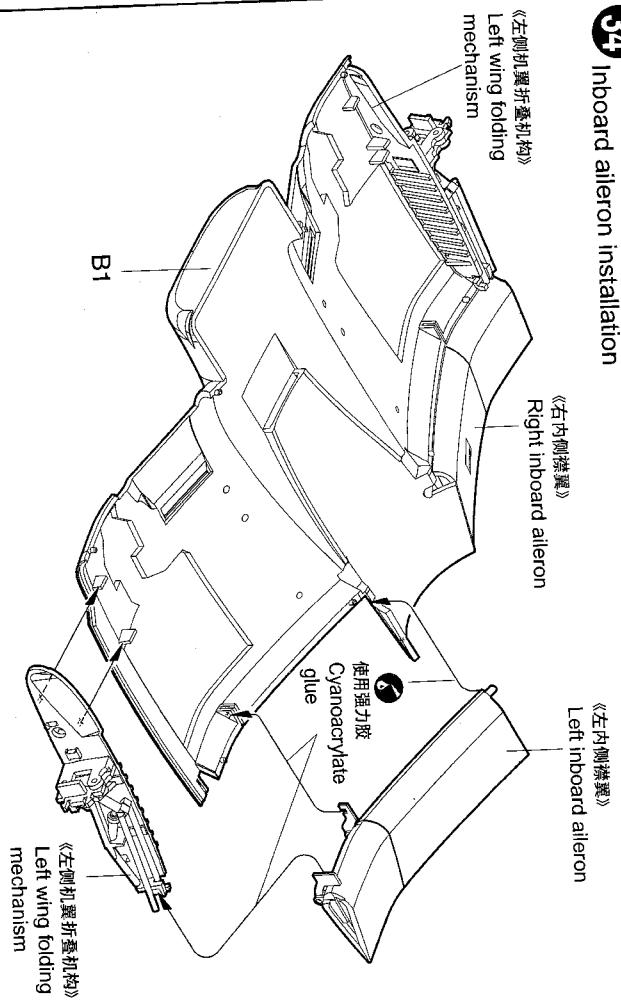
32 内右侧机翼折叠机构的组装
Right wing folding mechanism assembly



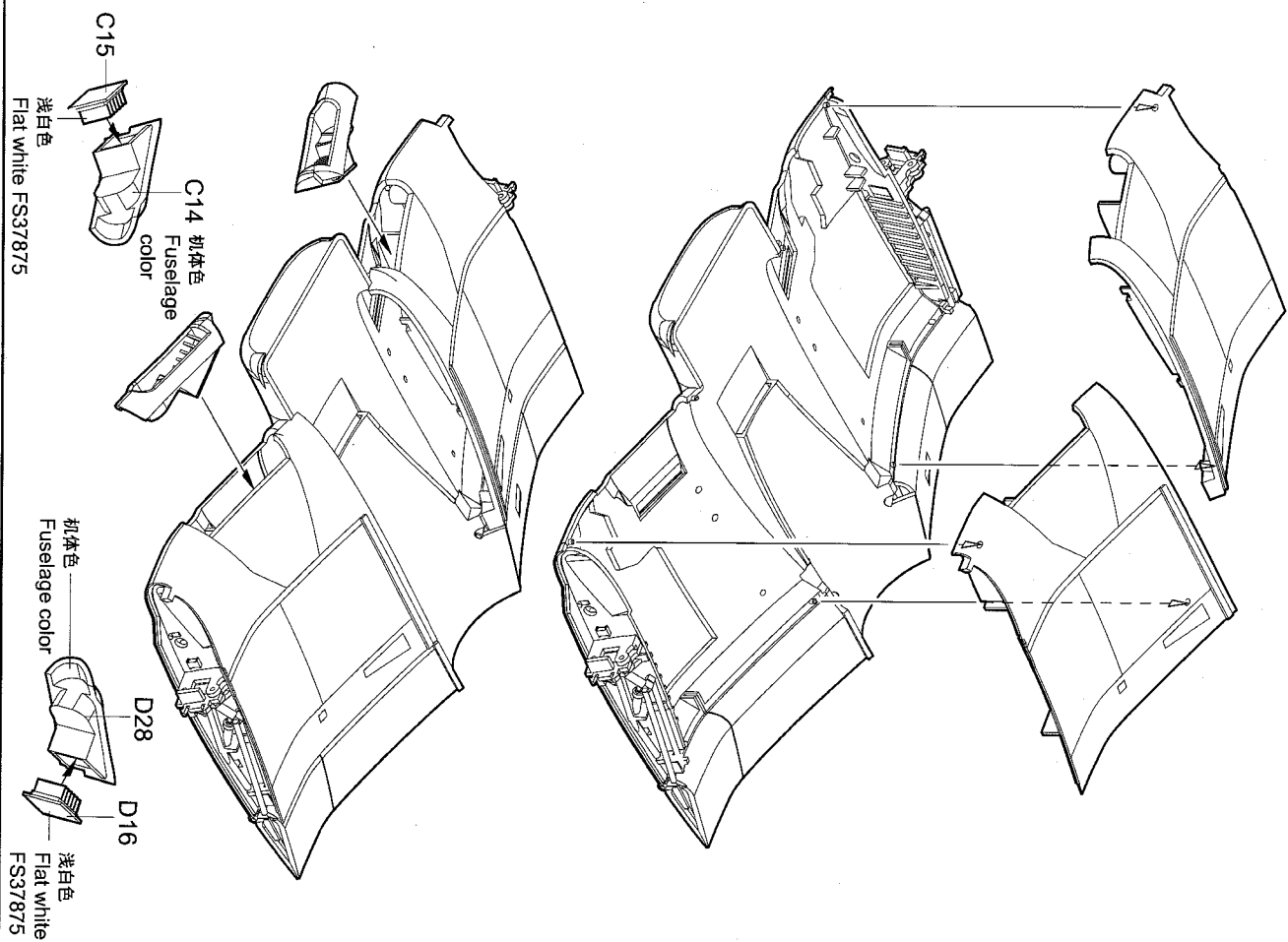
33 固定机翼的组装
Fixed wing assembly



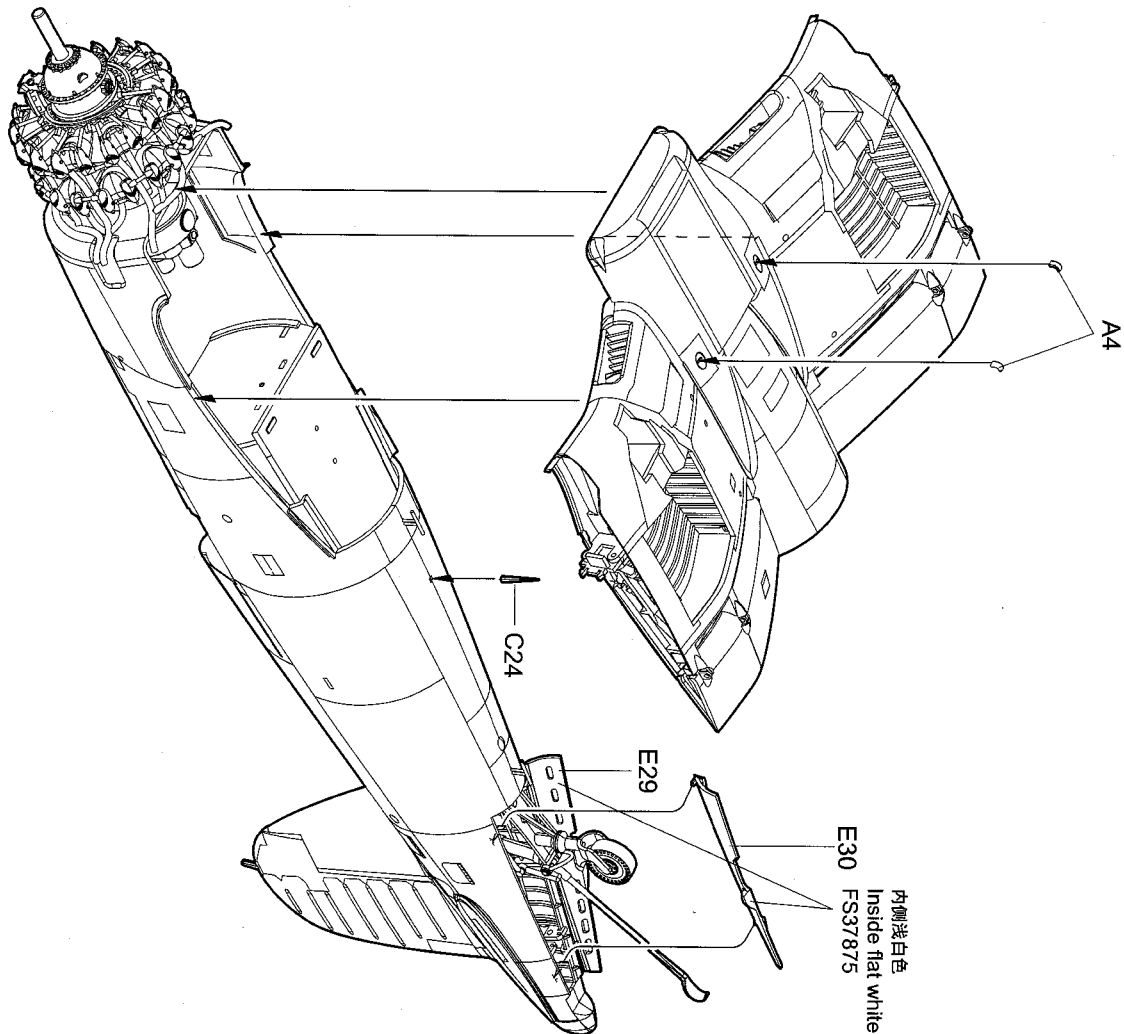
34 内侧襟翼的组装
Inboard aileron installation



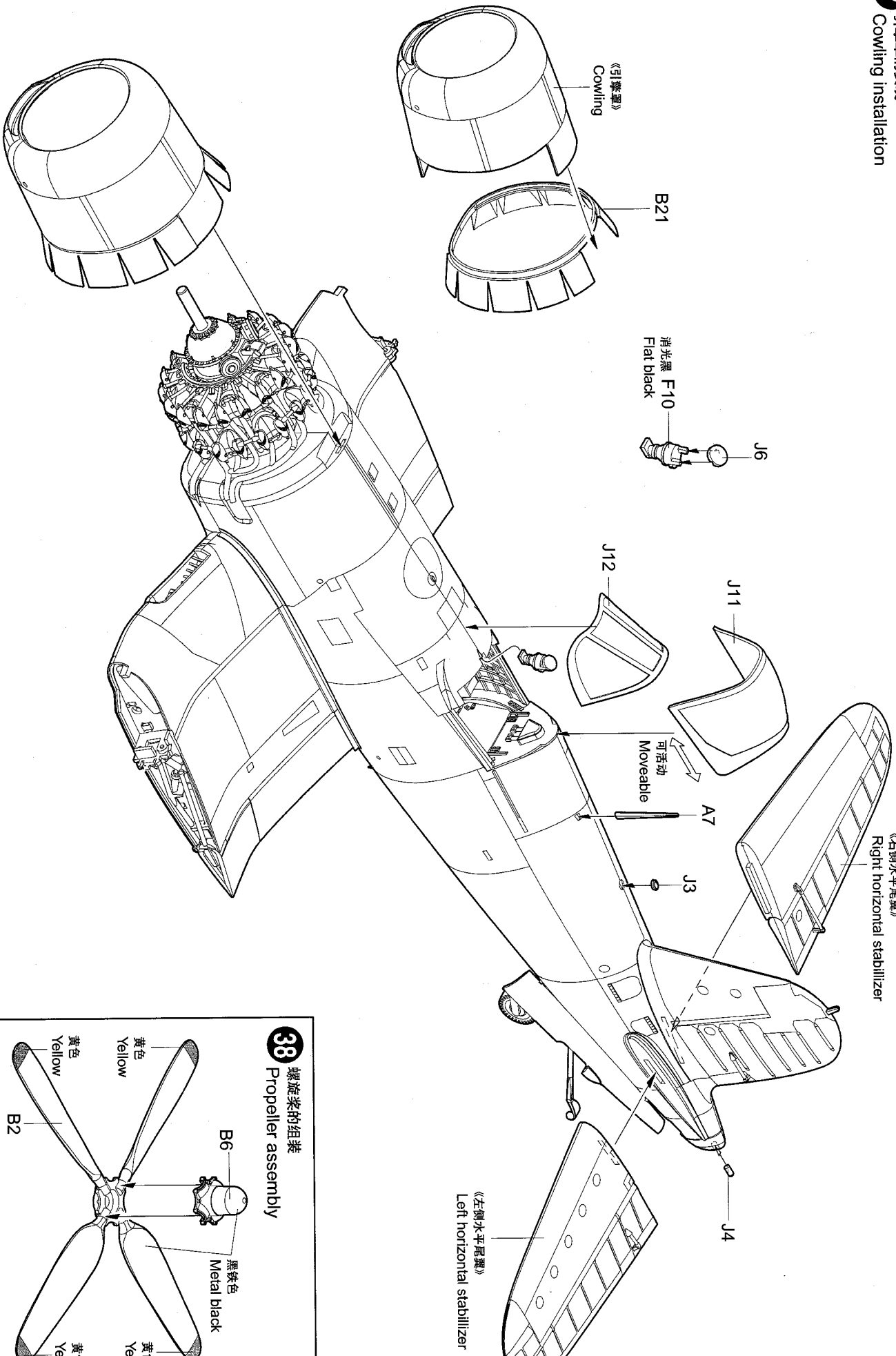
35 固定机翼的组装
Fixed wing assembly



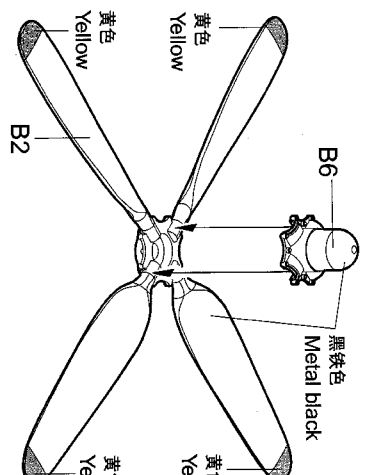
36 固定机翼的安装
Fixed wing installation



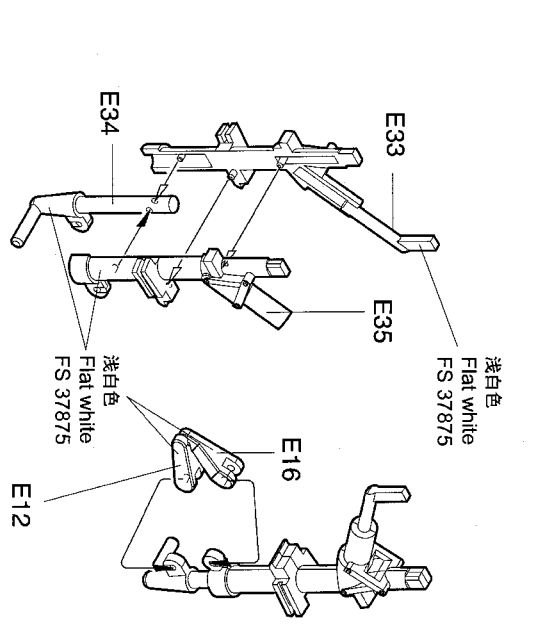
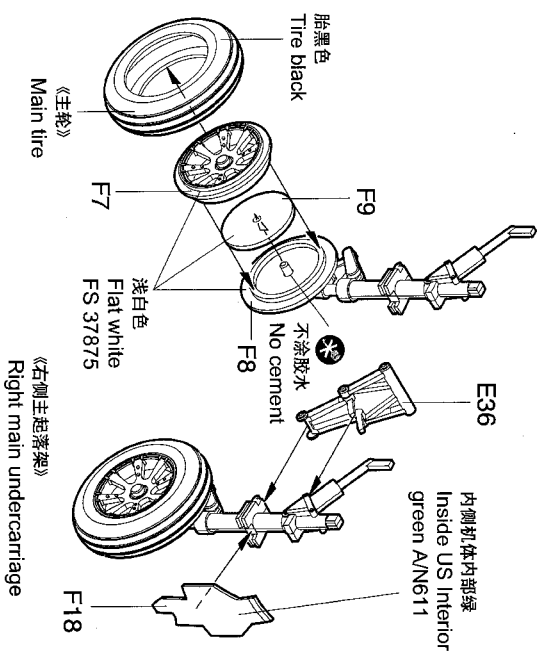
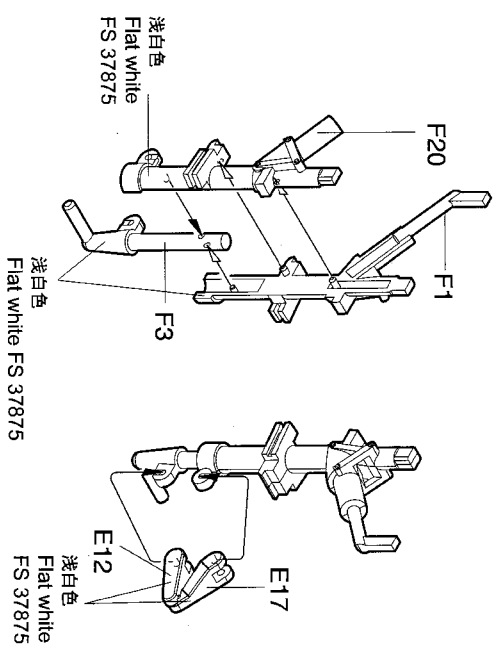
37 引擎罩的安装
Cowling installation



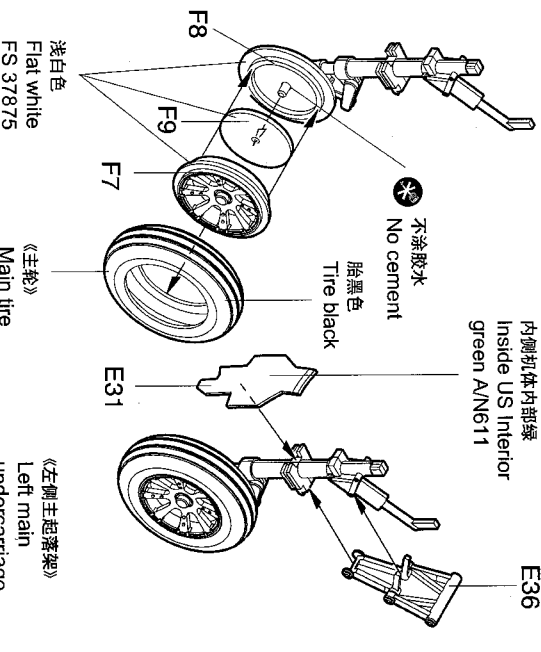
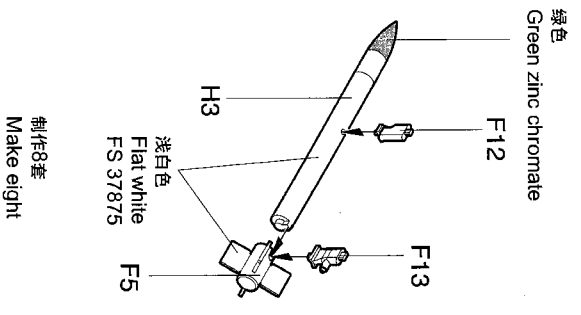
38 螺旋桨的组装
Propeller assembly



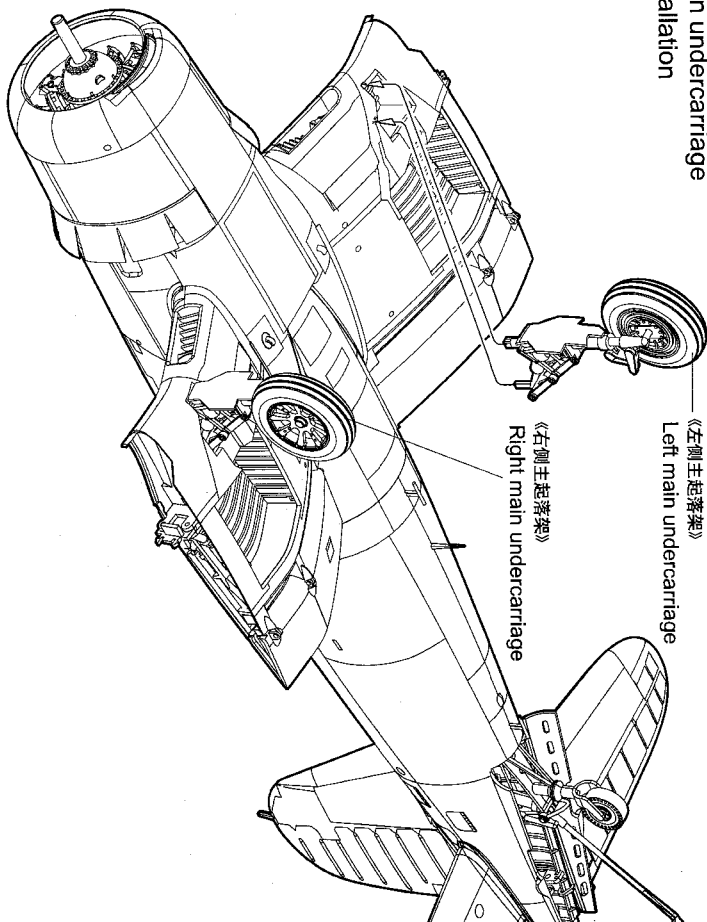
39 主起落架的组装
Main undercarriage assembly



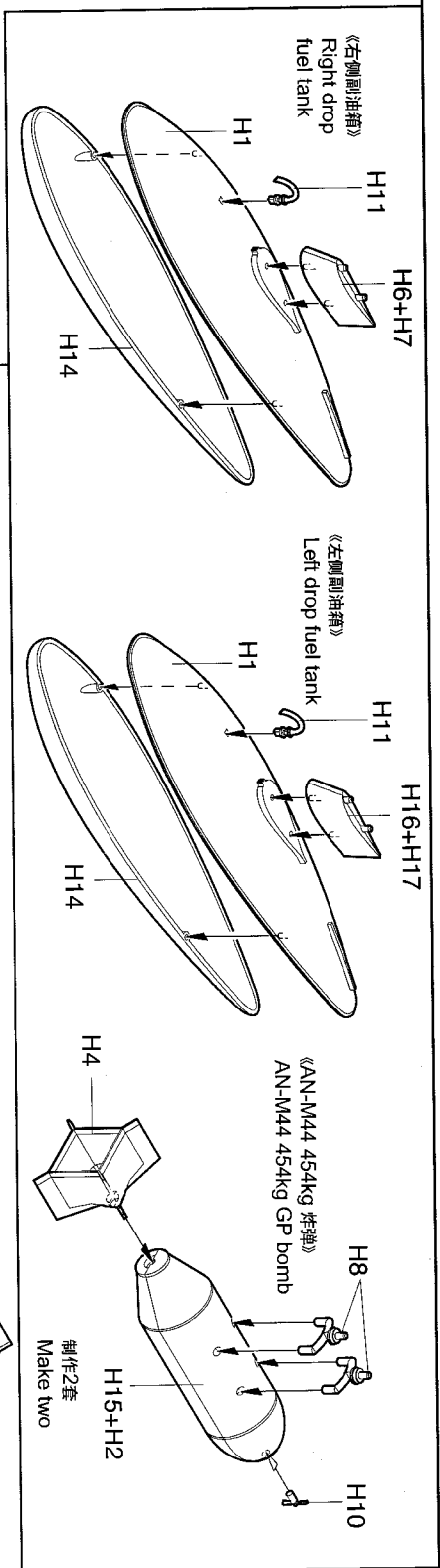
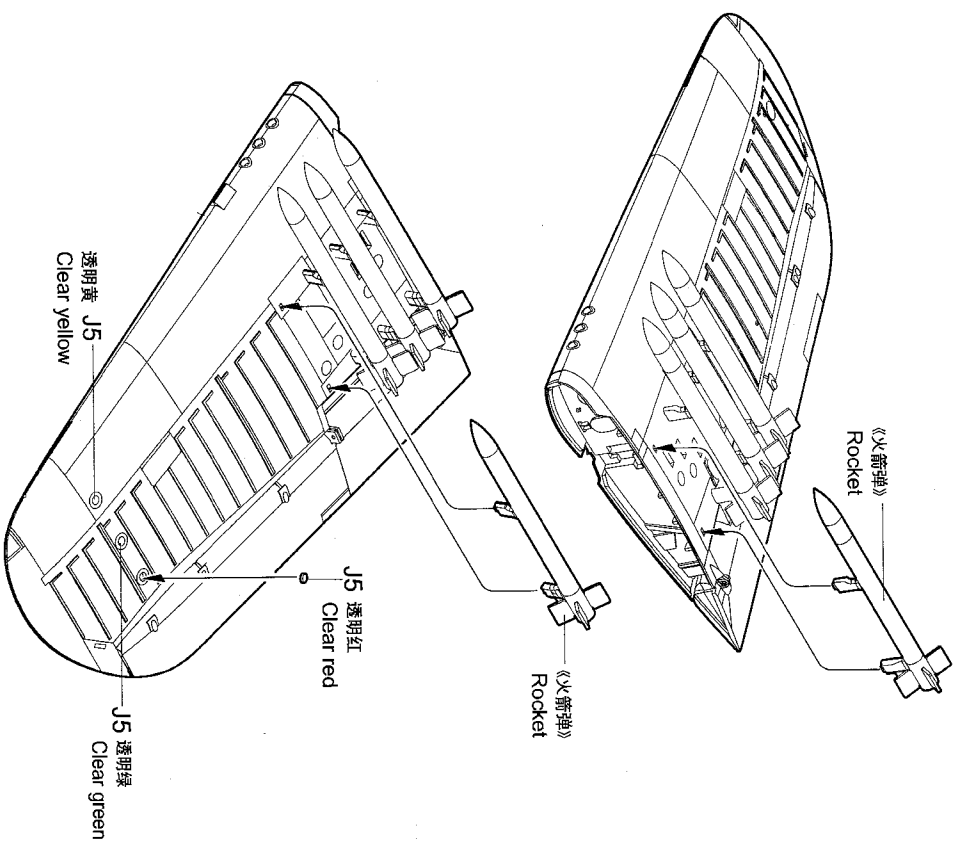
40 火箭弹的组装
Rocket assembly



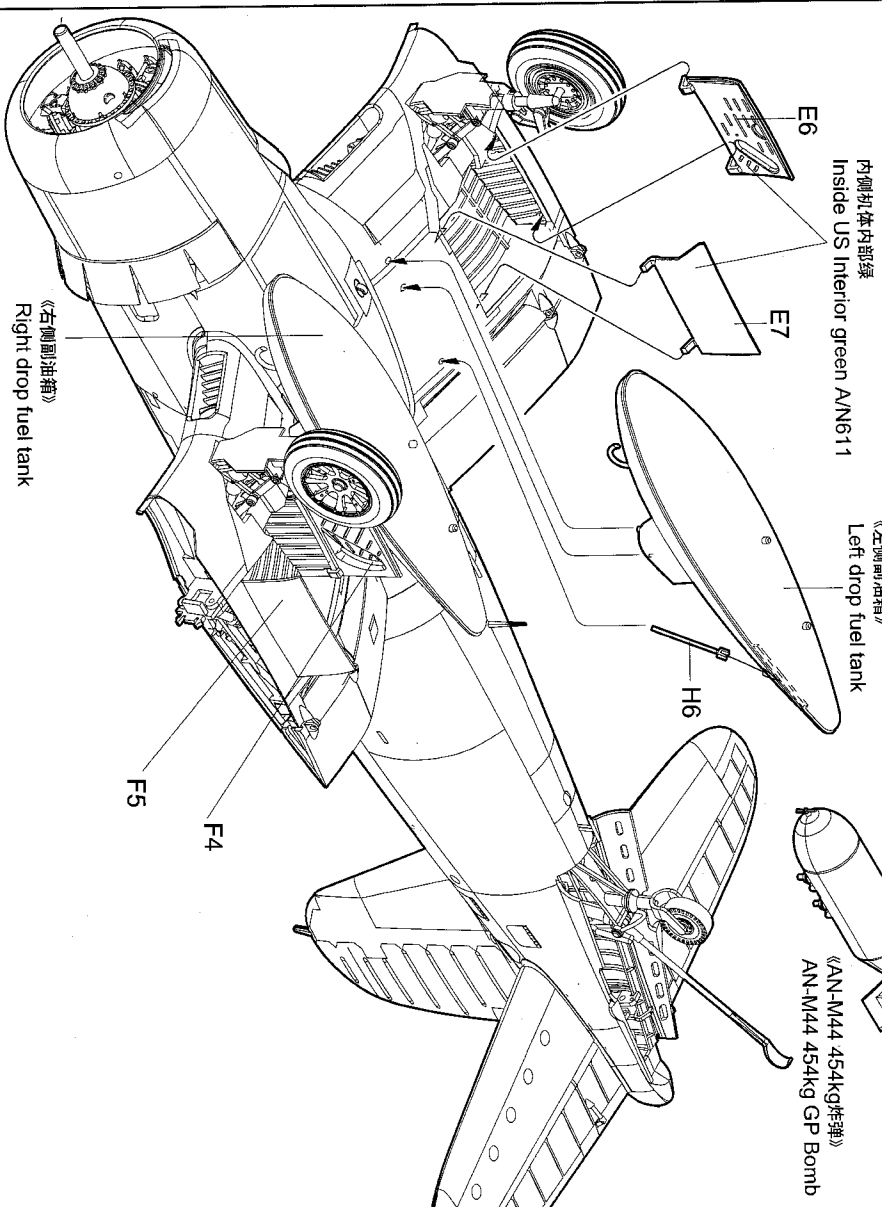
41 主起落架的安装
Main undercarriage installation



42 火箭弹的安装
Rocket Installation



43 副油箱的安装
Drop fuel tank installation



44 螺旋桨的安装
Propeller installation

折叠机翼时不装 C4, D21
Part C4, D21 not use for folding wing

D21 对侧 C4
Opposite C4

《右侧机翼》
Right wing

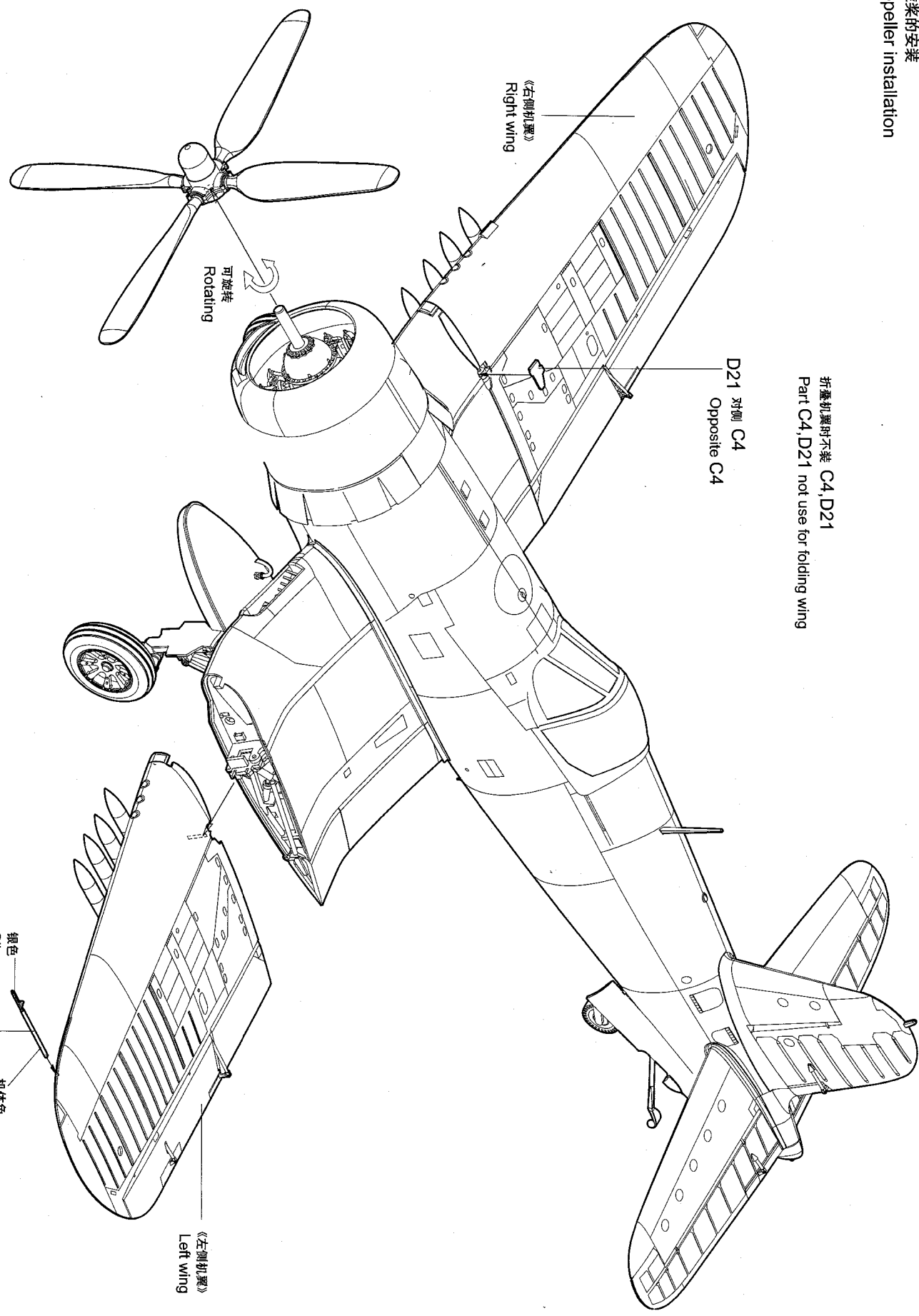
可旋转
Rotating

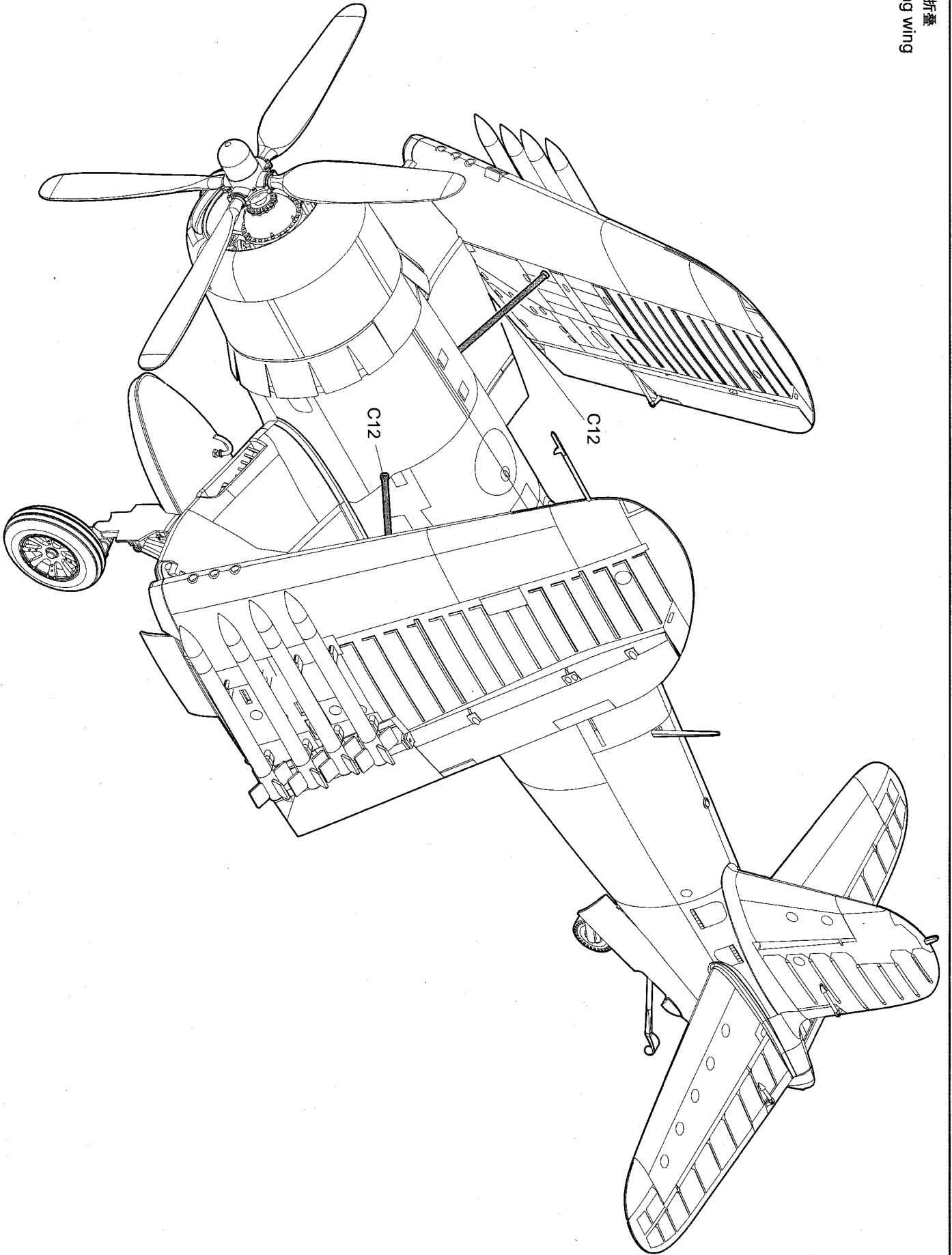
《左侧机翼》
Left wing

银色
Silver

C28

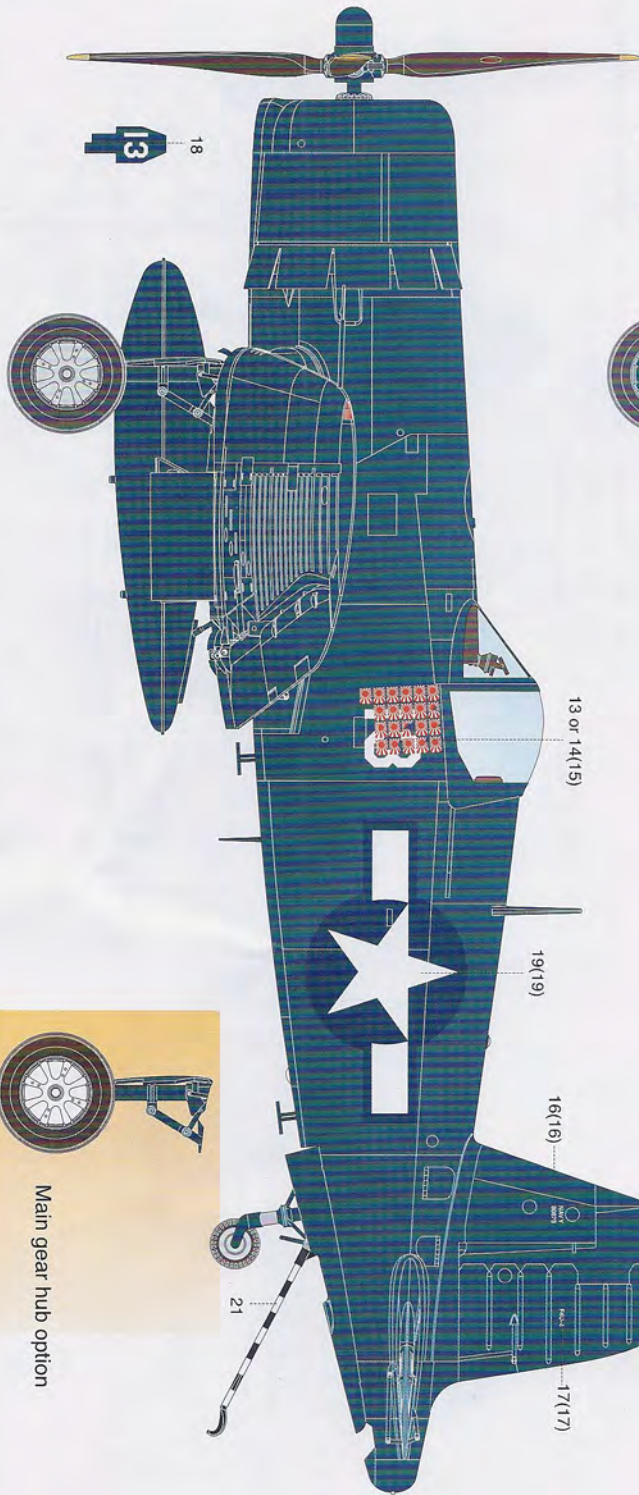
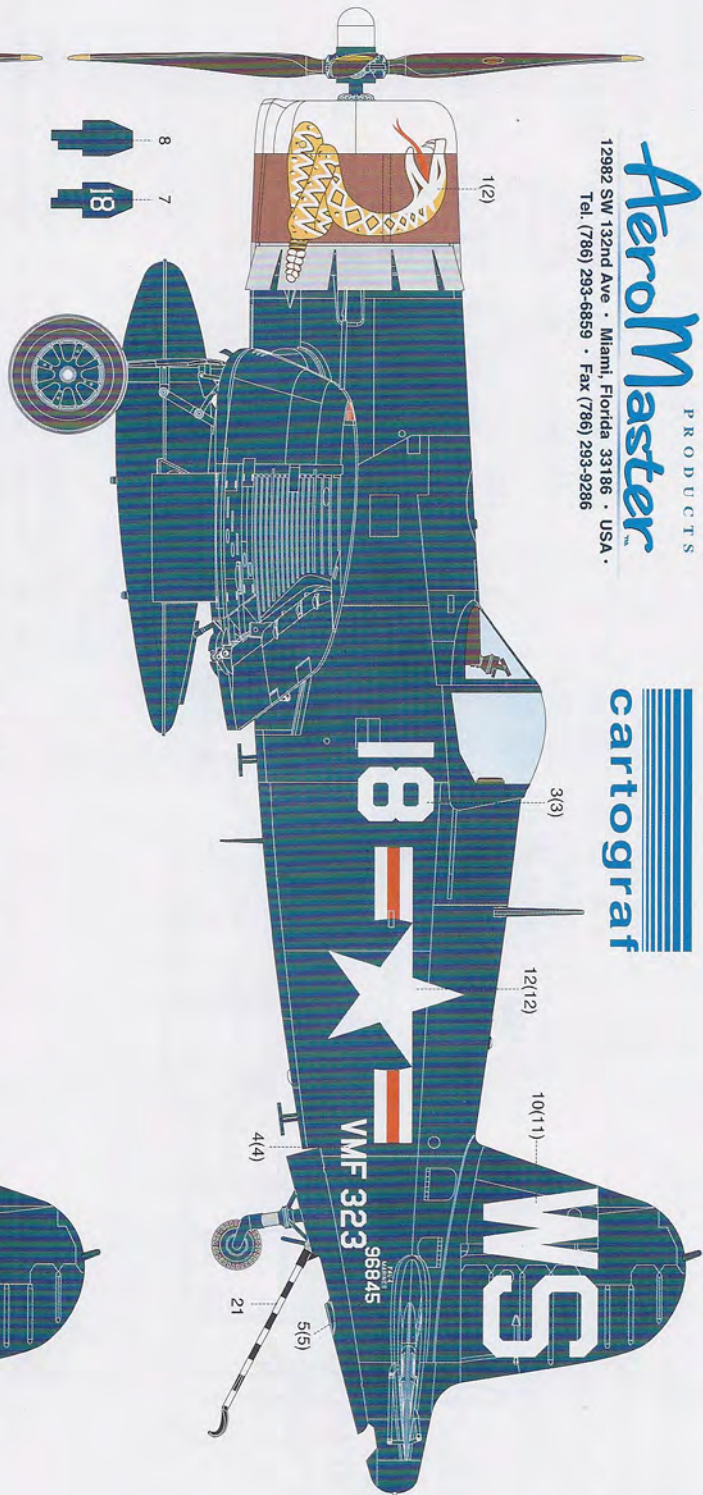
机体色
Fuselage color



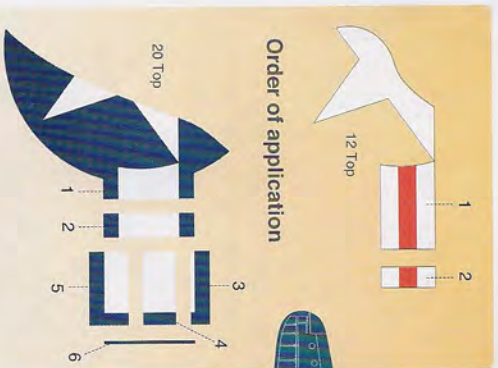
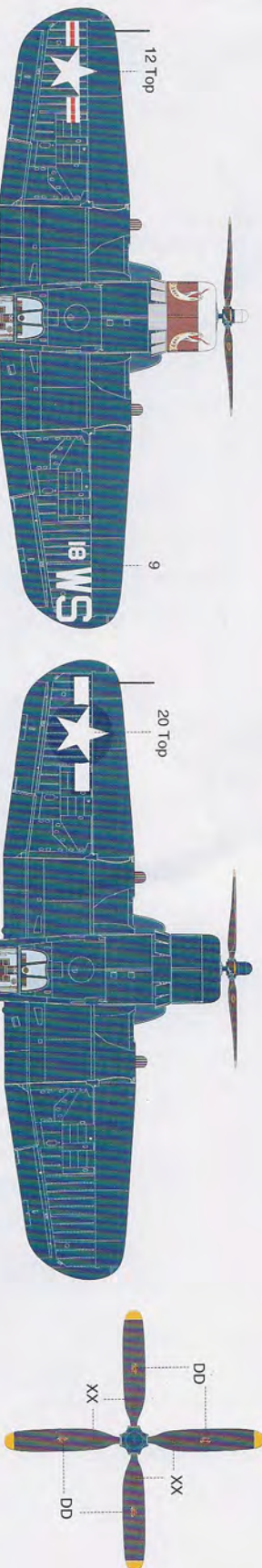


AeroMaster PRODUCTS
 12982 SW 132nd Ave • Miami, Florida 33186 • USA
 Tel. (786) 293-5859 • Fax (786) 293-9286

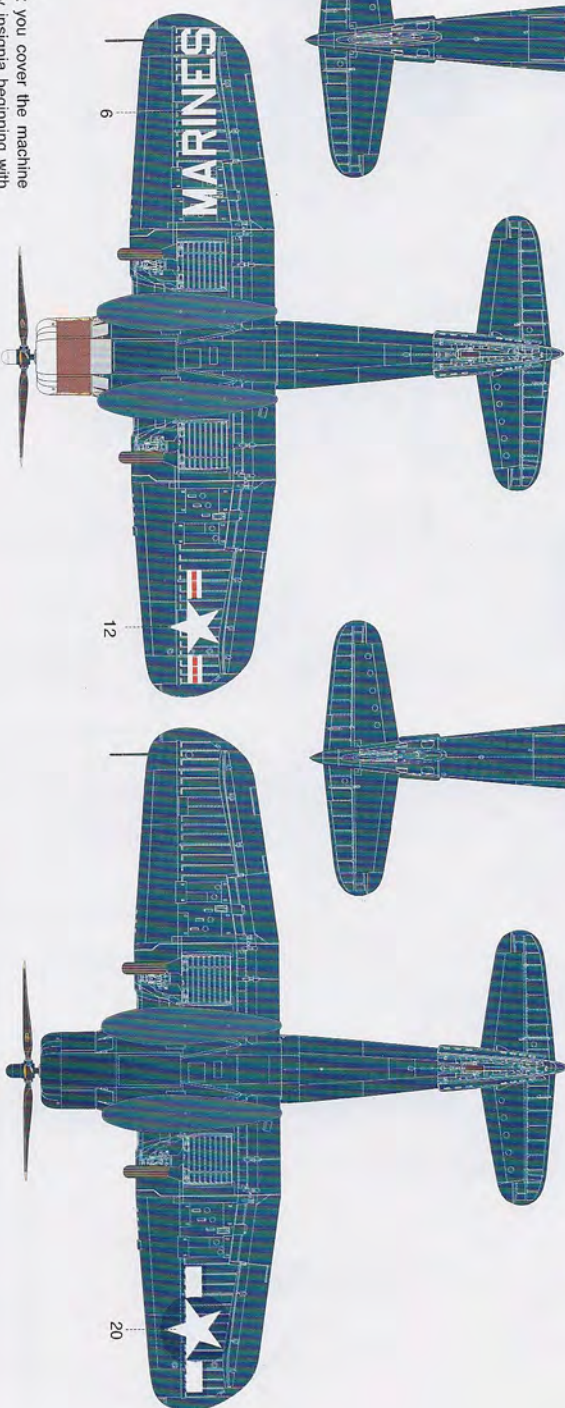
cartograf



Main gear hub option



Upper wing star application: We recommend that you cover the machine gun ammo belts with its respective covers. Apply insignia beginning with main star and working towards the wingtips allowing for decal parts positioning as you go along before they dry. "Patience pays!"

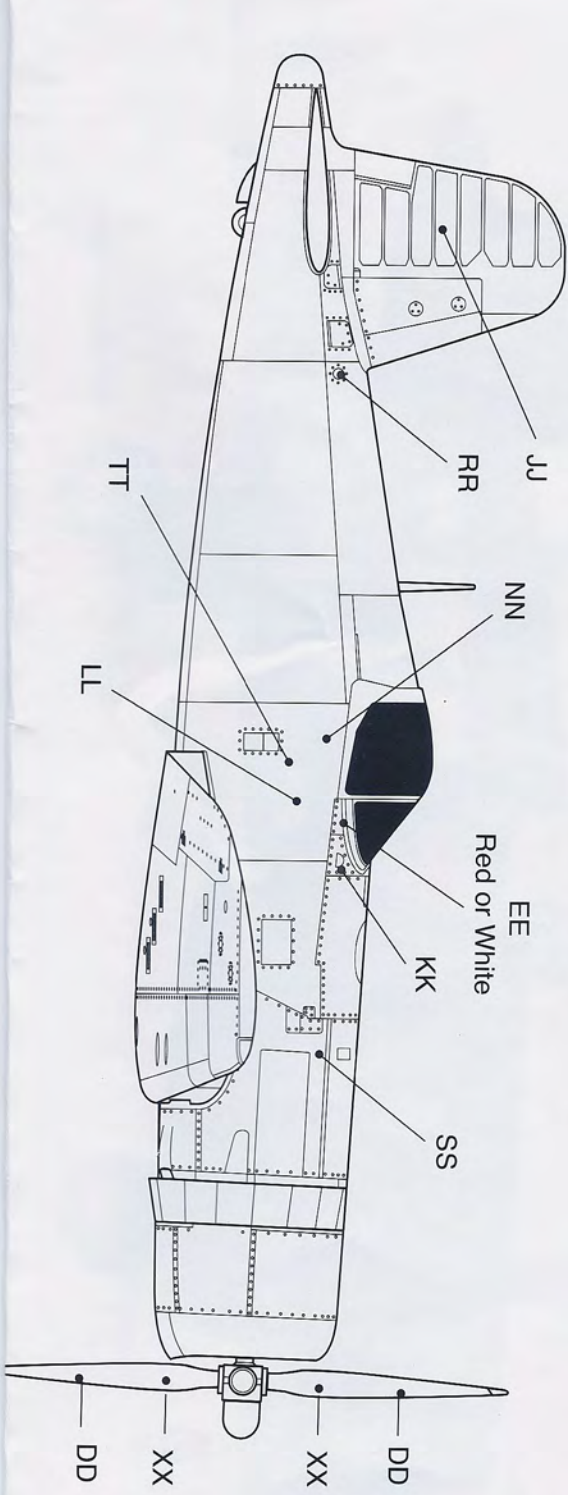


1

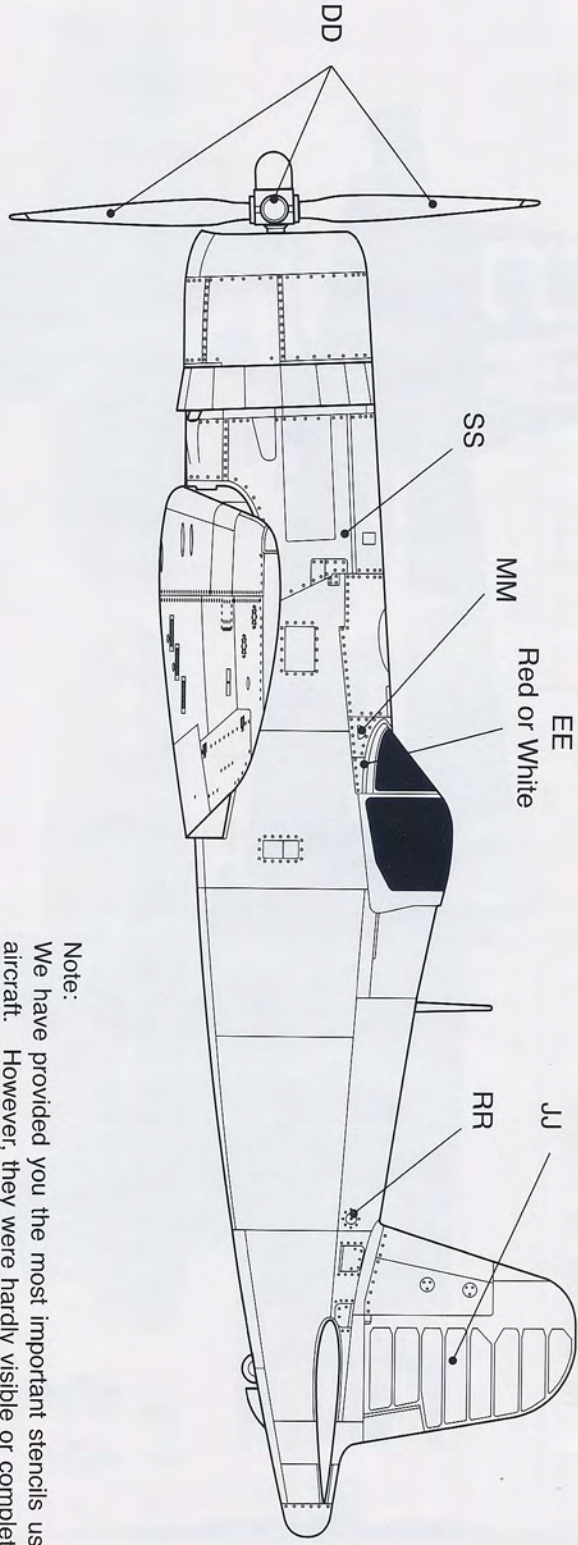
2

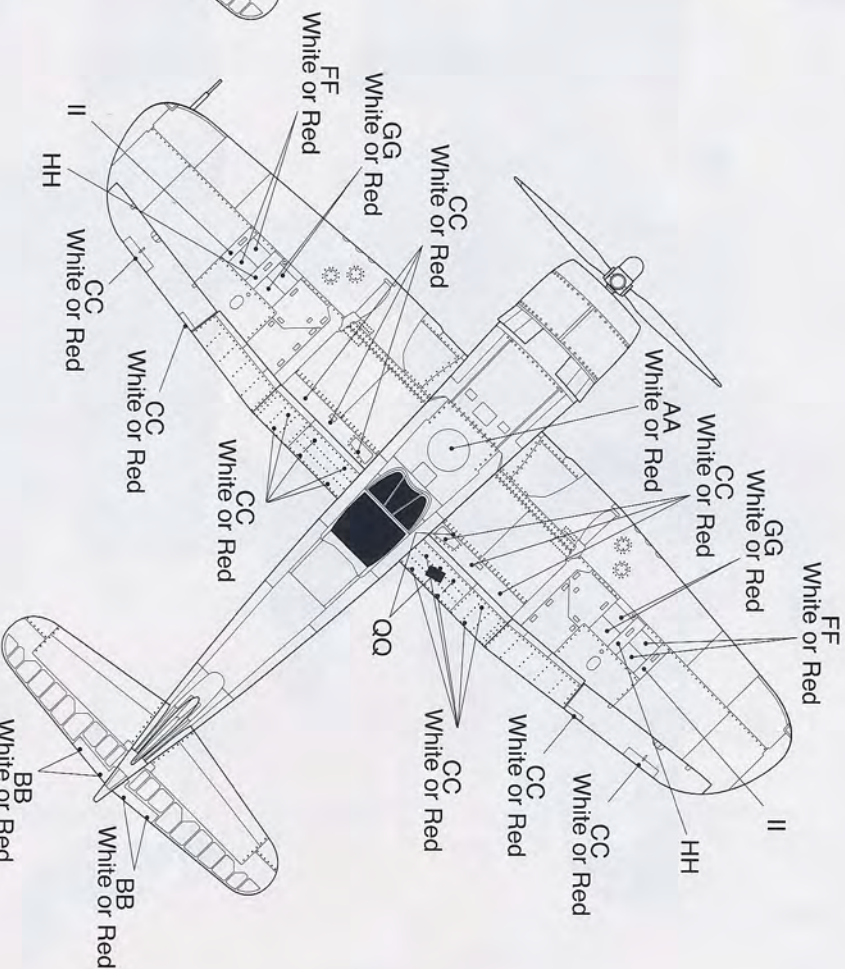
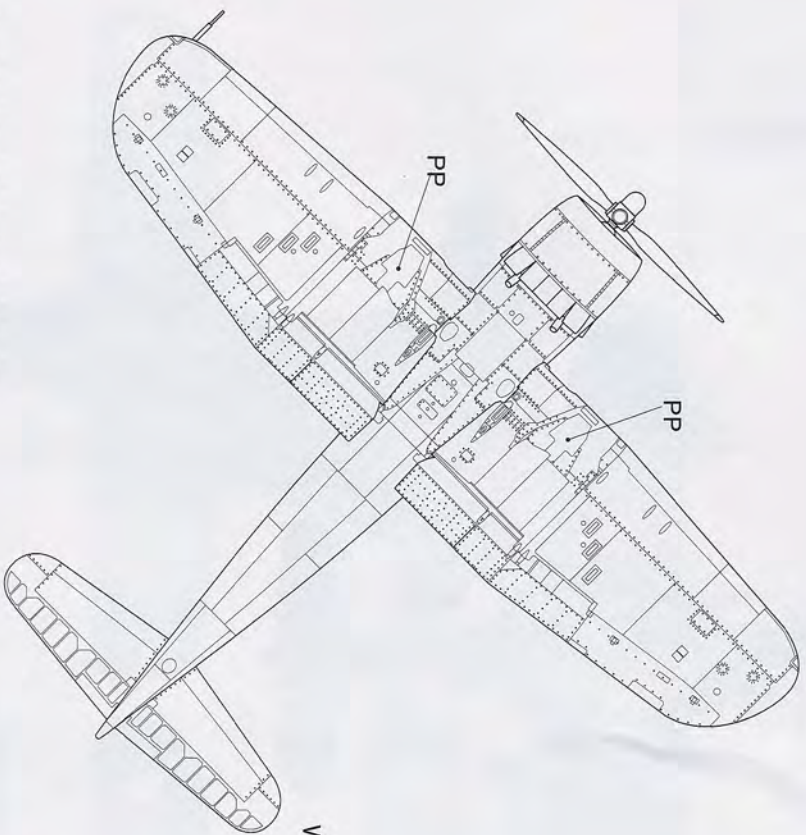
Aircraft # 1 F4U-4 Bu no. 96845 of VMF-323, sometime between July 14, 1950 and February 7, 1951, aboard either the U.S.S. Sicily or U.S.S. Badoeng Strait, Korean Waters. One of the most colorful Marine Squadrons of the era. Aircraft was overall Gloss Sea Blue, including wheel wells, L.G. Struts, inner wing folds, etc.
The Cowling was white, maroon and possibly a shade of Gray similar to Dark Gull Gray (F.S. 26231). A beautiful rattle snake overlapped the cowling on both sides, and it seems that every snake on the Squadron aircraft were slightly different. The Prop Hub was Gloss Sea Blue with a White Spinner. Aircraft was aboard the U.S.S. Badoeng Strait during August of 1950, when it overturned on the deck.
We have pictures of this aircraft with White and with Sea Blue wheel hubs, so it is your choice.

Aircraft # 2 F4U-4 Flown by Captain Ken, A. Walsh, Okinawa Campaign, June, 1945. White 13 was decorated with 21 Japanese kill markings showing the claimed score by its pilot. Capt. Walsh claimed his last kill, a Kamikaze Zero while flying this aircraft on June 22, 1945.
As it was the case with most late war Navy Corsairs, this aircraft was painted Overall Glossy Sea Blue, including wheel bays, L.G. Struts, inner wing folds, etc. Prop hub and Spinner were also Gloss Sea Blue. Main wheel hubs may have been Sea Blue or White. Take into consideration that during wartime conditions, the upper surface finish on these A/C weathered heavily, and a semigloss finished surface would be more realistic.



Note:
 We have provided you the most important stencils used on these aircraft. However, they were hardly visible or completely removed after the first major maintenance or overhaul. Use conservatively.





VOUGHT F4U-4 CORSAIR
U.S.WW II & KOREAN WAR COLORS
 (as used in all operational theaters)

MODEL MASTER ACRYL:

- 4226 Sea Blue AN623
- 4686 FS15042 Dark Sea Blue
- 4742 FS35044 Insignia Blue
- 4744 FS35164 Intermediate Blue

MODEL MASTER II ENAMELS:

- 1718 Flat Sea Blue FS 35042
- 1719 Insignia Blue FS 35044
- 1720 Intermediate Blue FS 35164
- 1734 Green Zinc Chromate
- 1768 Flat White FS 37875

Floquil POLLY SCALE MILITARY ACRYLICS:

- F505011 White
- F505092 US Sea Blue A/N607
- F505094 US Intermediate Blue A/N608
- F505096 US Interior Green A/N611