

# Mikoyan-Gurevich MiG-3

1:32 Scale

米高扬-古列维奇 米格-3

## READ BEFORE ASSEMBLY

- Study and understand this instructions thoroughly before beginning assembly.
- Remove all injection pins carefully using a modeling file.
- Cut off the photo-etched parts carefully using a modeling knife. Be sure not to lose small parts.
- Apply instant cement to photo etched parts and shafts. Apply too much instant cement will cause movable parts to stick. Apply cement carefully.
- Extra care should be taken to avoid personal injury when handling the photo etched parts.
- Some parts should depend on decals. Select prior to assembly.
- Tools recommended: (Not included in this kit) Cement; Side cutters; Long nose pliers; Modeling knife; Modeling life; Tweezers; Pin vise; Scissors; Instant cement.
- Soft cloth and sand paper will also assist in construction.
- Glue and paints are not included in the kit. Use plastic cement or paints only.
- Keep out of reach of small children. Children must not be allowed to suck any part, or pull vinyl bag over the head.

## 装配之前仔细阅读

- 小心用模型锉刀锉平所有零件表面的注射浇口。
- 小心用刀片切下蚀刻片零件，不要遗失小零件。
- 用强力快干胶水粘合蚀刻片零件和金属轴。过量的快干胶水使用可能导致可动零件会粘住，小心涂胶。
- 取蚀刻片时应特别注意安全，防止利边划伤手指。
- 某些零件表面需贴上水贴纸，请选择在装配的同时进行。
- 推荐模型工具(自备)：胶水，水口剪刀，长咀钳，刀片，锉刀，镊子钳，钻，剪刀，瞬间快干胶。
- 软布同砂纸同时也应该是必备工具。
- 请使用塑料胶水和油漆，模型内不含。
- 谨防小孩吸吮塑料零件，或者将塑料袋套在头上，制作时应将套材远离小孩接触。

## 水贴纸的使用:

1. 从水贴上剪下印花;
2. 将印花放入温水中浸10秒，然后放在干净布上。
3. 拿着印花纸板将印花移到模型上;
4. 手指蘸水将印花移到适当的位置;
5. 用软布轻压印花直至水干，汽泡消失。

## DECAL APPLICATION

1. Cut off decal from sheet.
2. Dip the decal in tepid water 40° C for about 10 sec. and place on a clean cloth.
3. Hold the backing sheet edge and slide decal onto the model.
4. Move decal into position by wetting decal with finger.
5. Press decal gently down with a soft cloth until excess water and air bubbles are gone.



cyanoacrylate glue  
使用强力胶



weight  
配重



make hole  
钻孔



cut / remove  
切除



option  
选择



no cement  
不涂胶水



decal  
贴纸



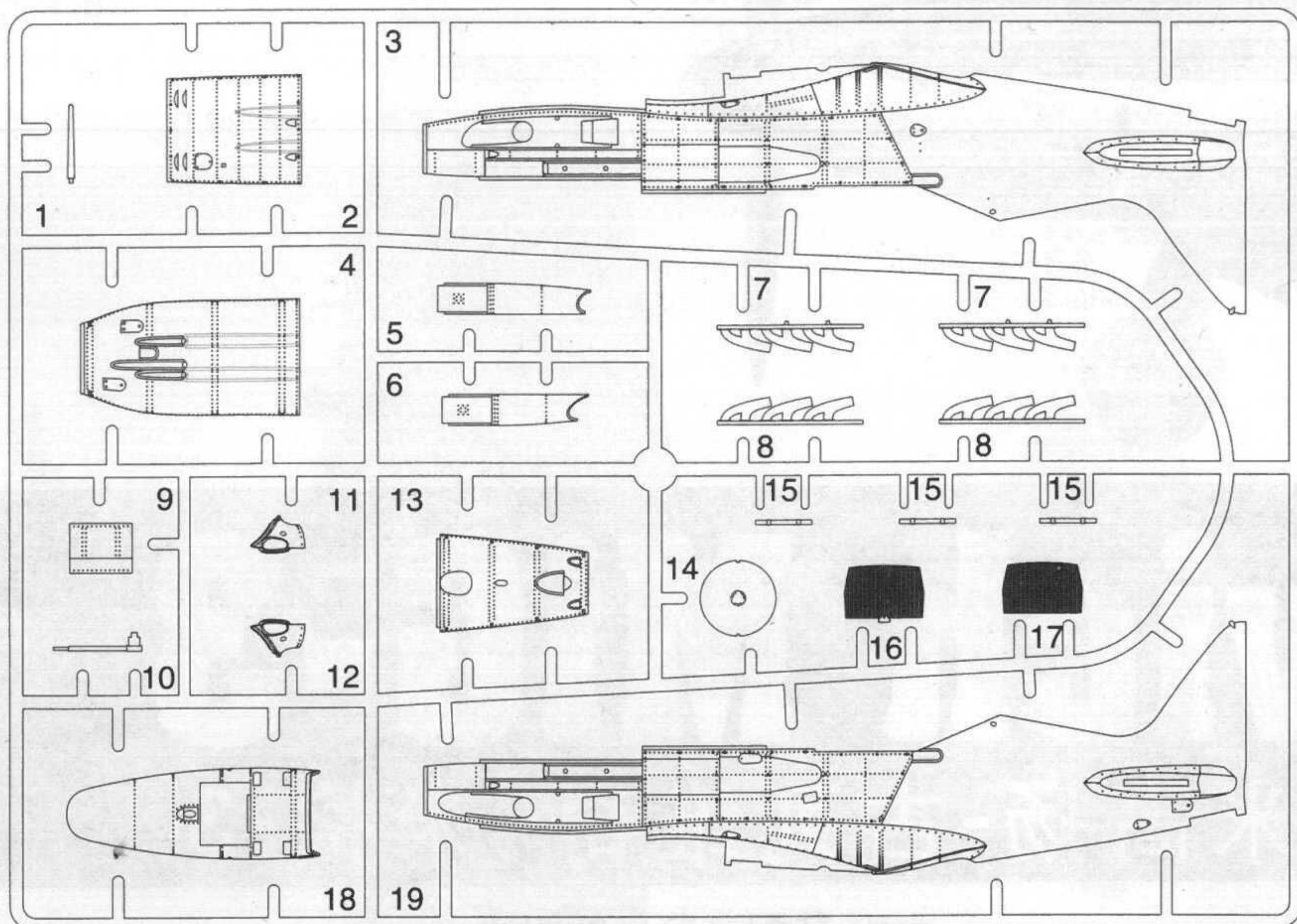
bend  
弯曲



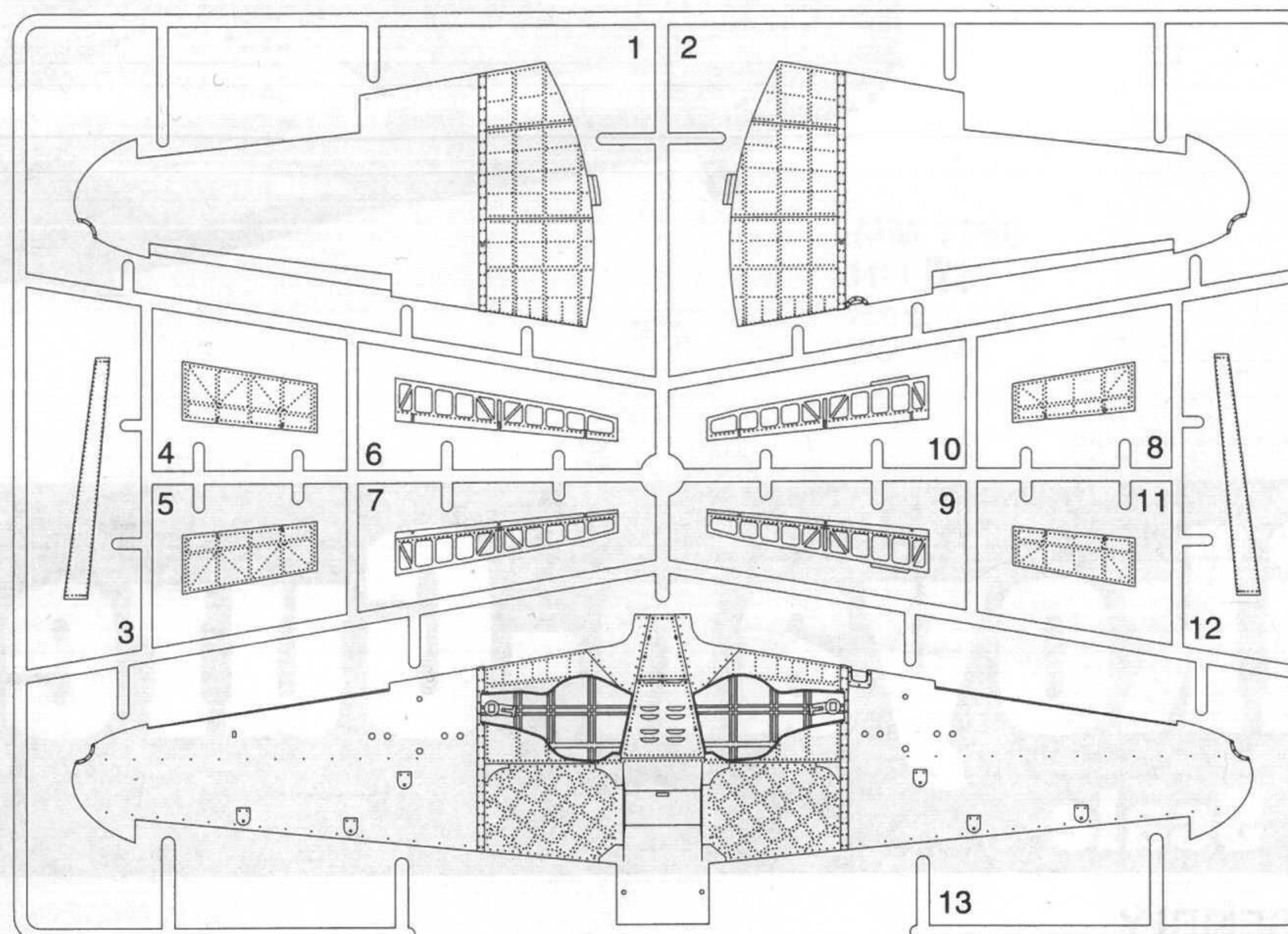
file / sand  
锉平

# 部品图 Parts

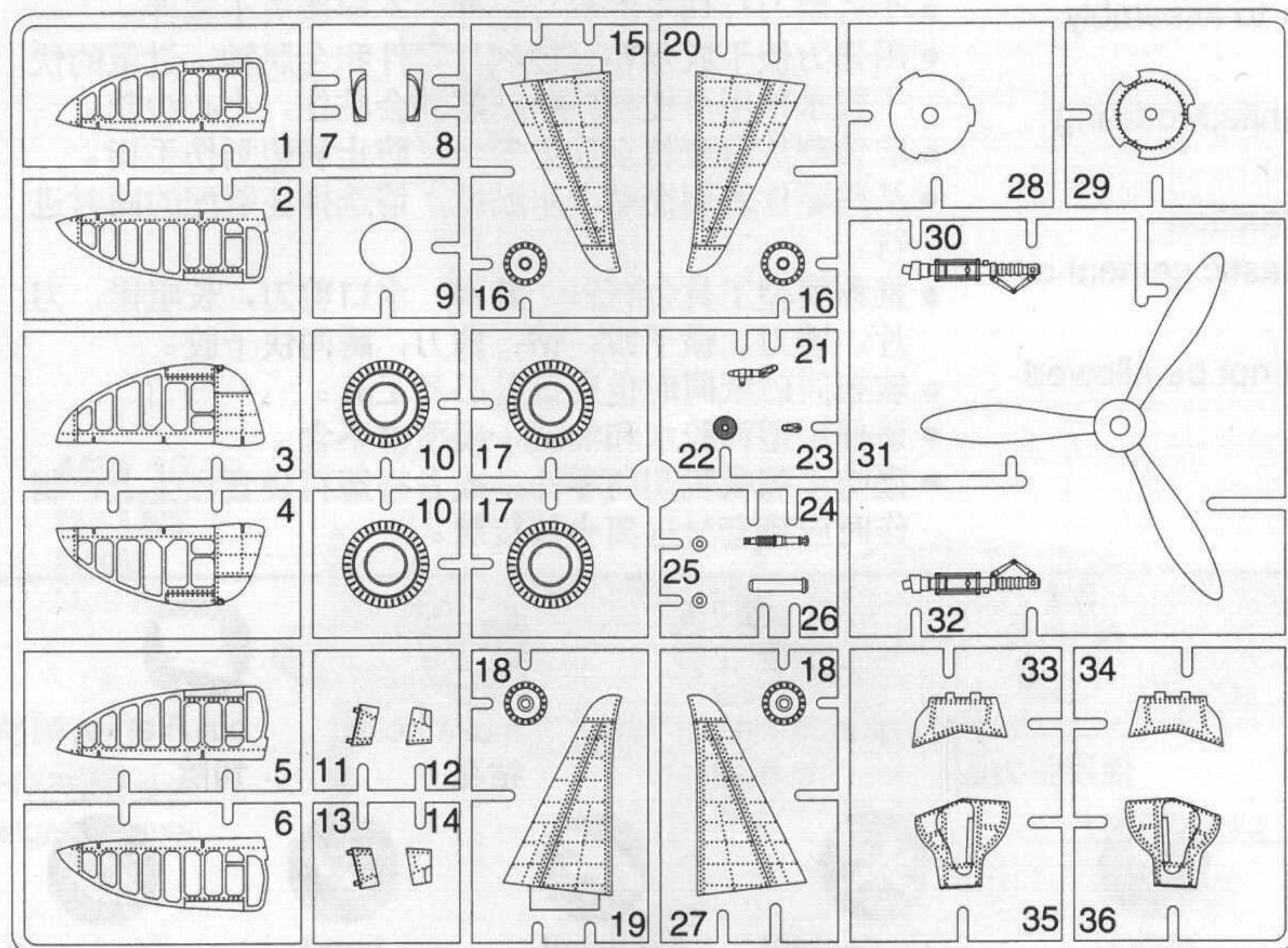
**A**



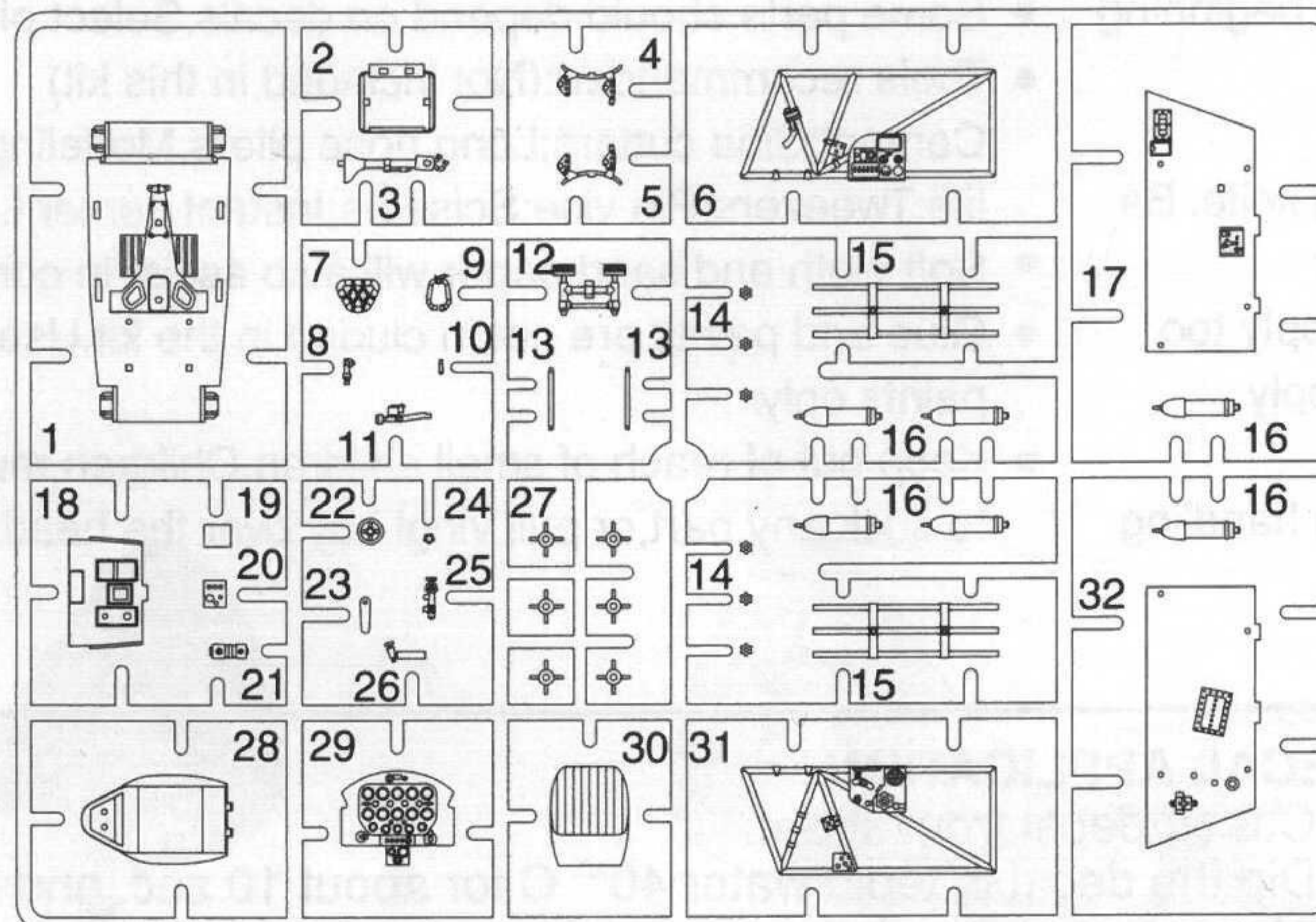
**B**



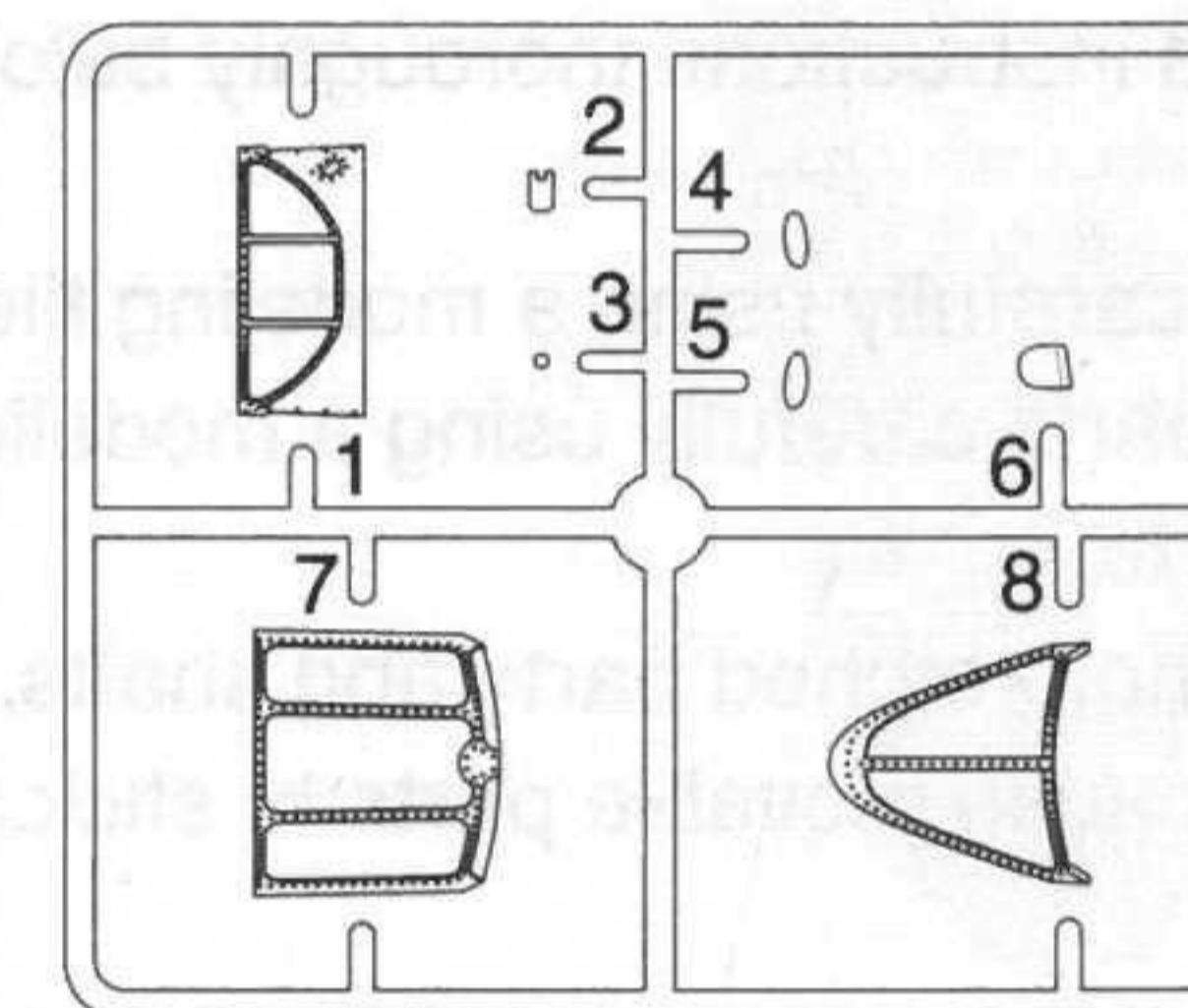
**C**



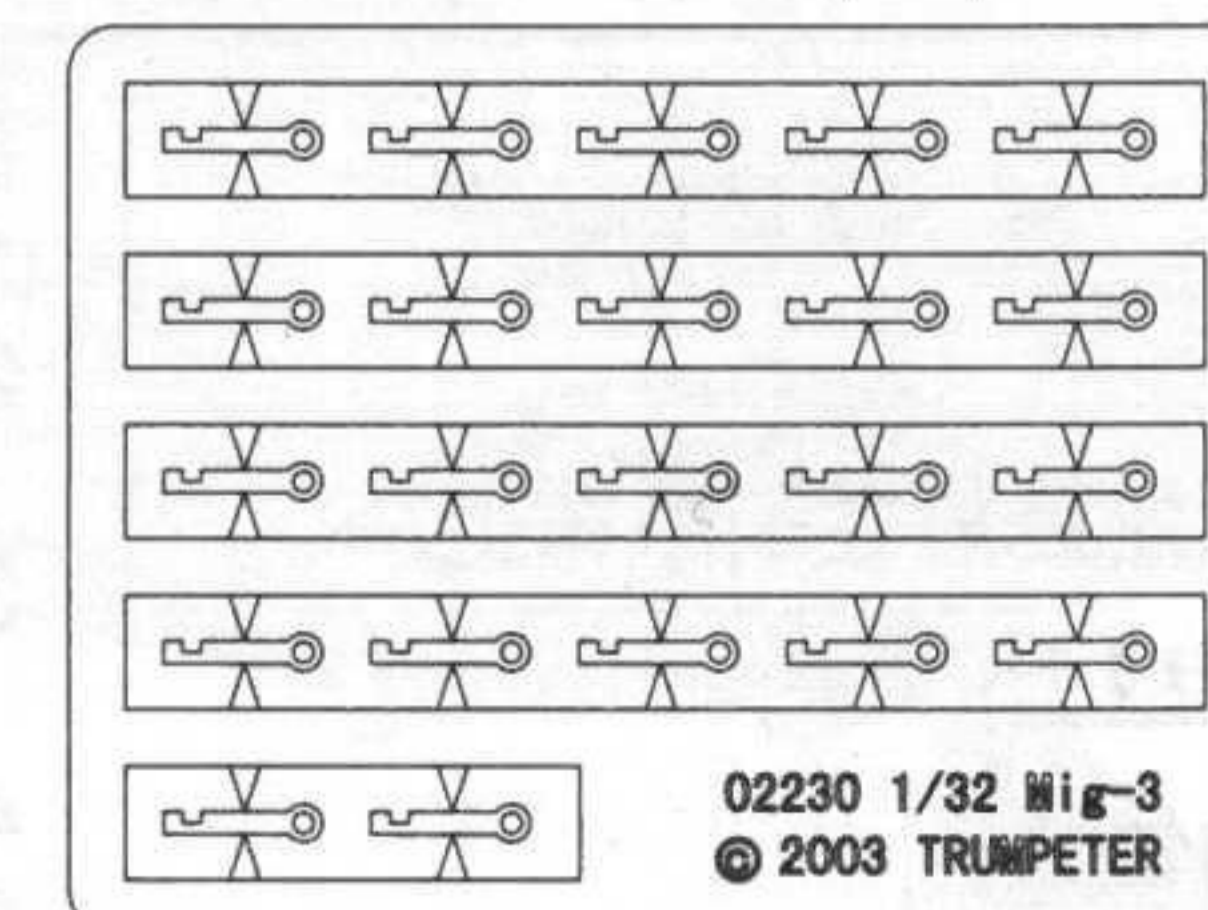
**D**



**E**



蚀刻片  
Photo etched part(PE)



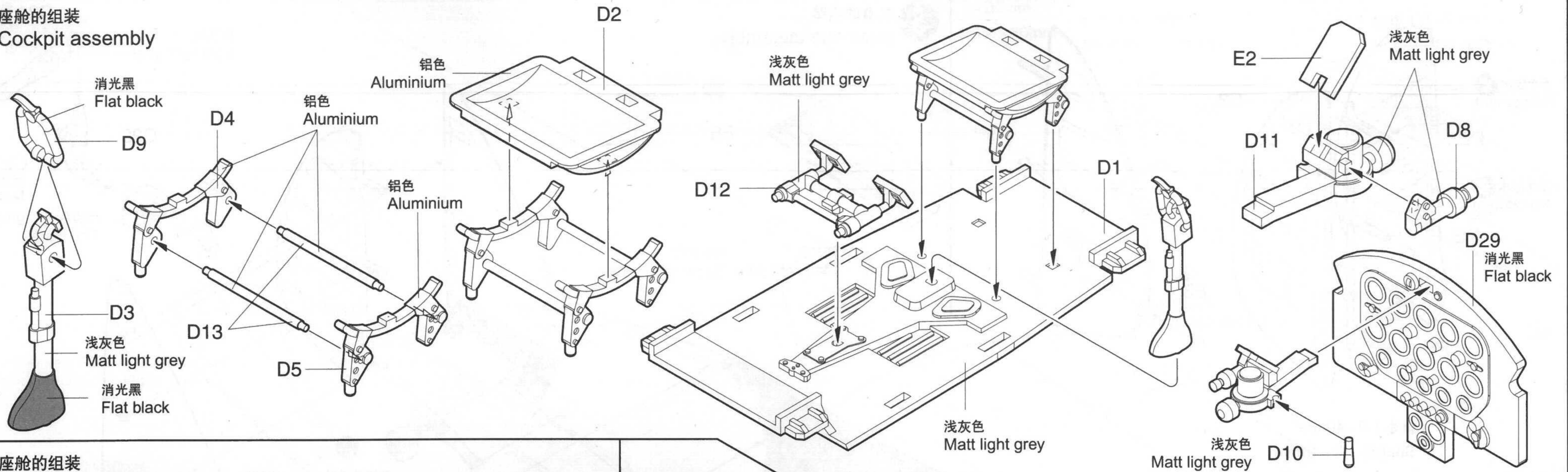
轴 Shaft  $\phi 1.0 \times 40\text{mm}$  3pcs

轴 Shaft  $\phi 1.0 \times 30\text{mm}$  4pcs

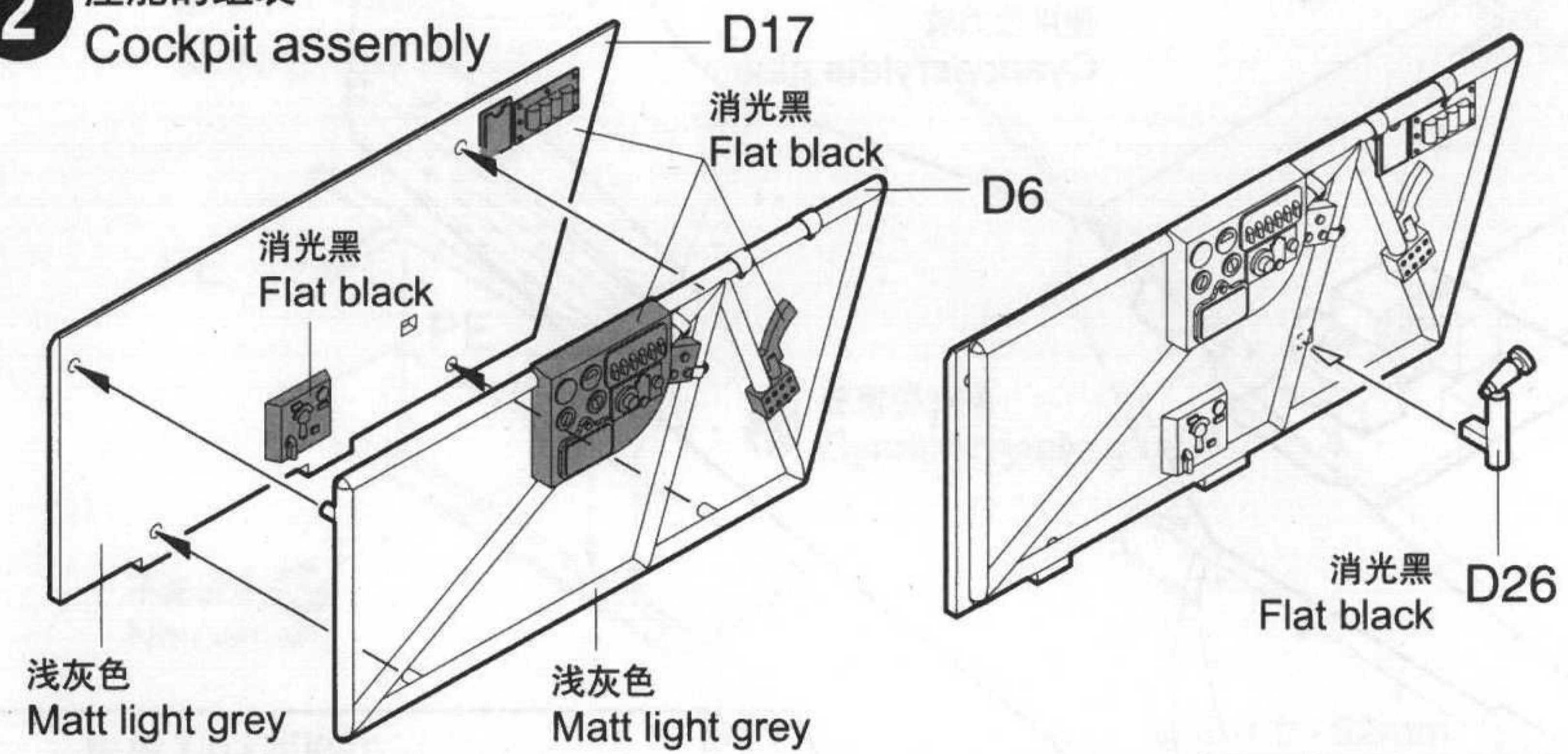
轴 Shaft  $\phi 1.0 \times 52\text{mm}$  2pcs

水贴纸  
Decal

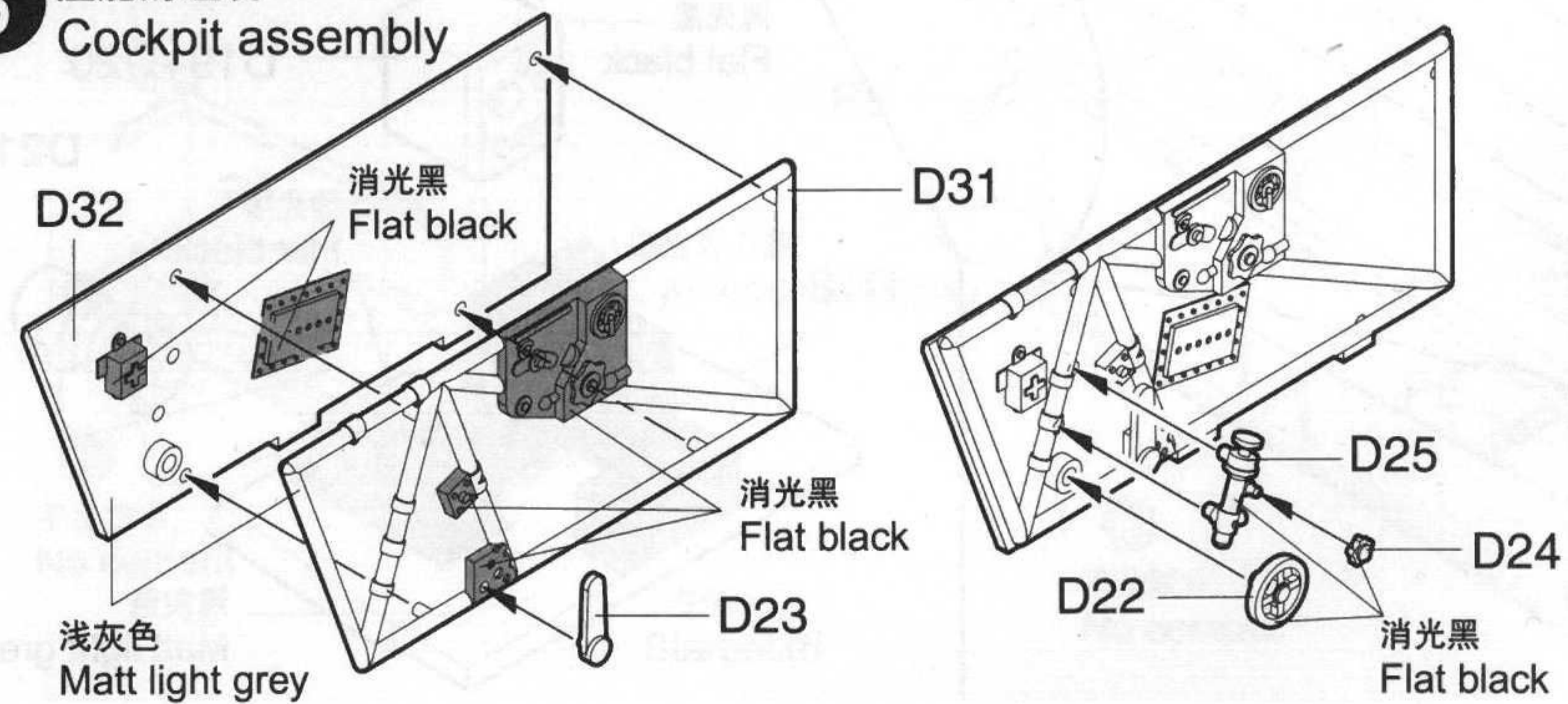
**1** 座舱的组装  
Cockpit assembly



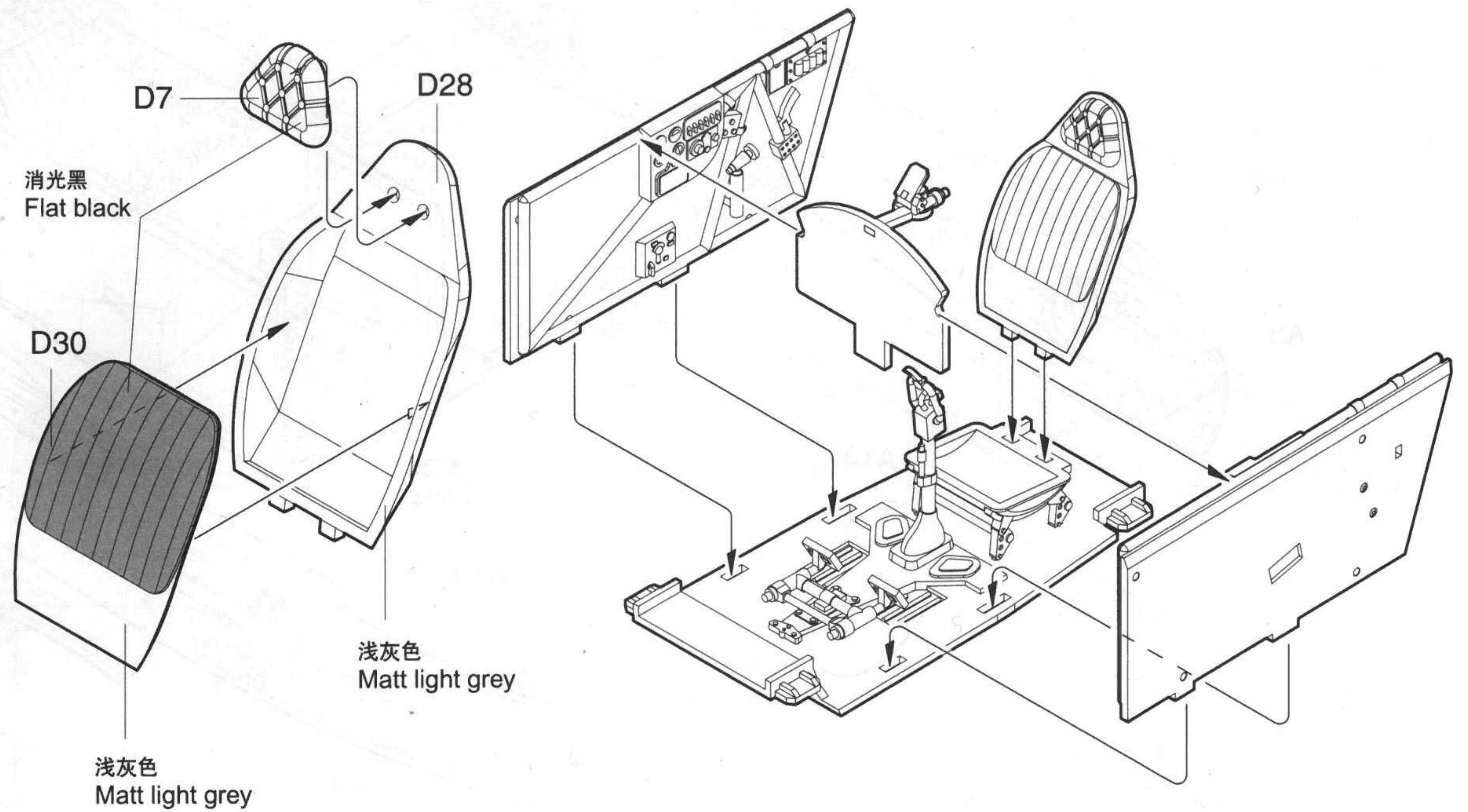
**2** 座舱的组装  
Cockpit assembly



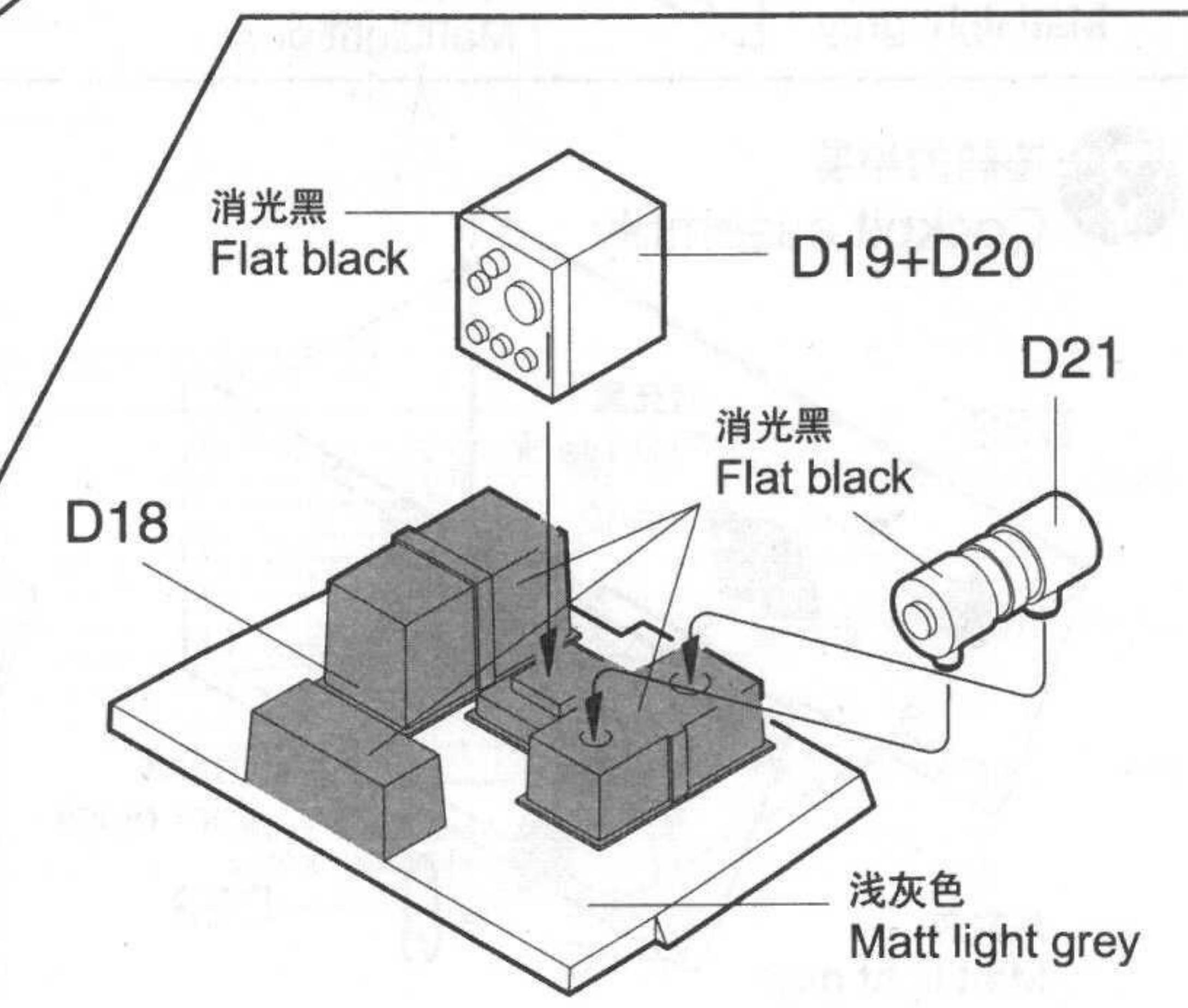
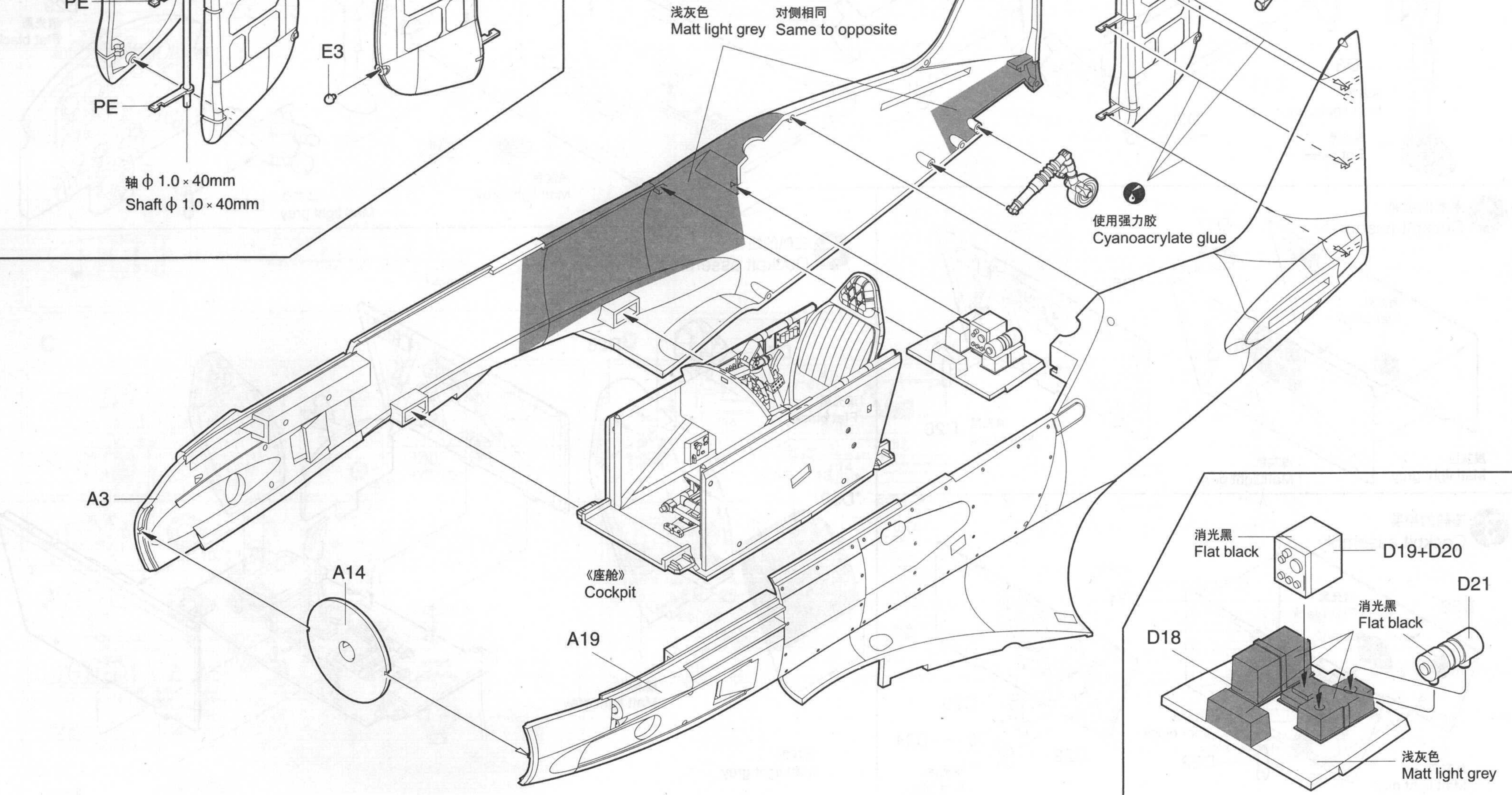
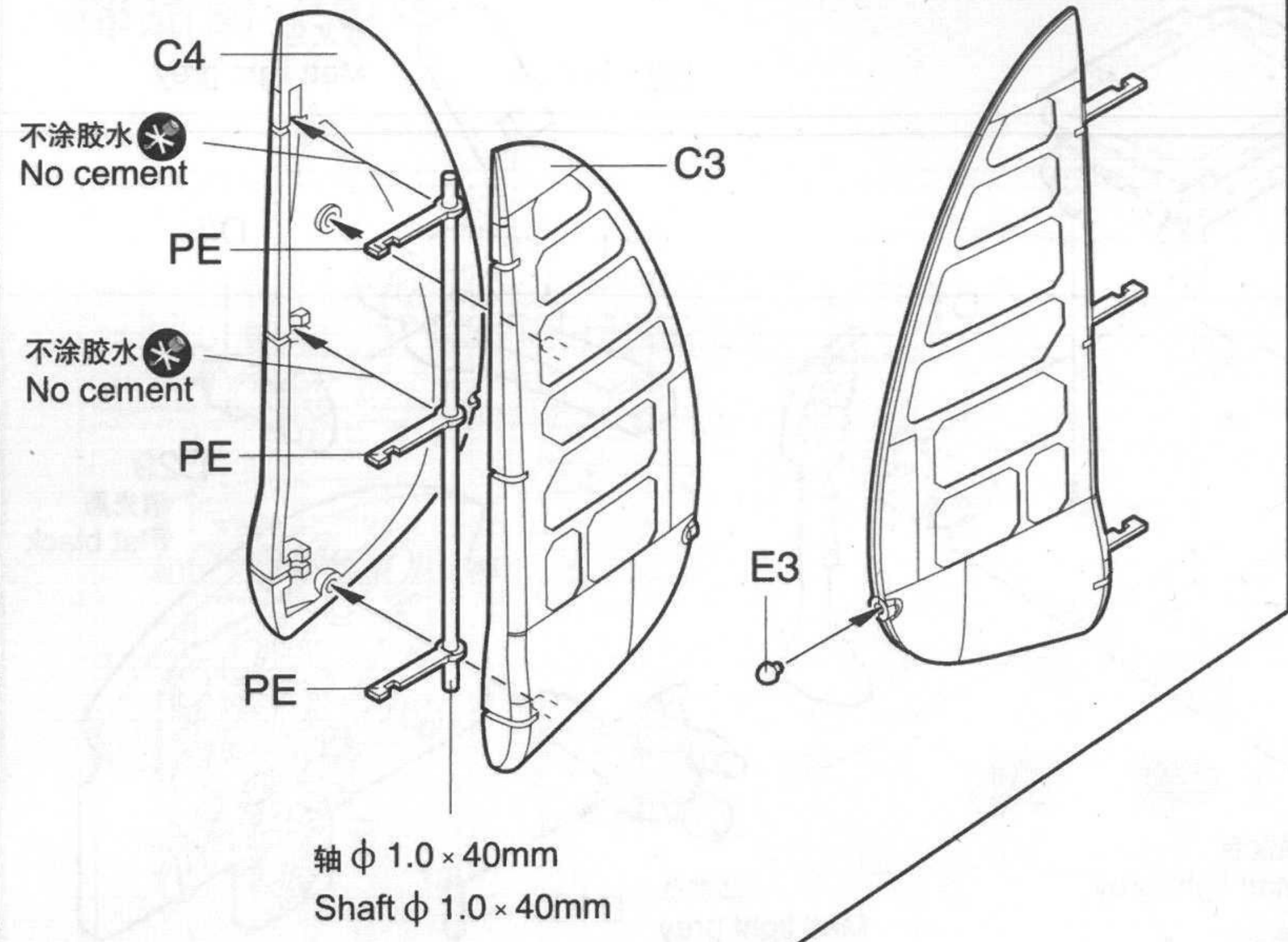
**3** 座舱的组装  
Cockpit assembly



**4** 座舱的组装  
Cockpit assembly



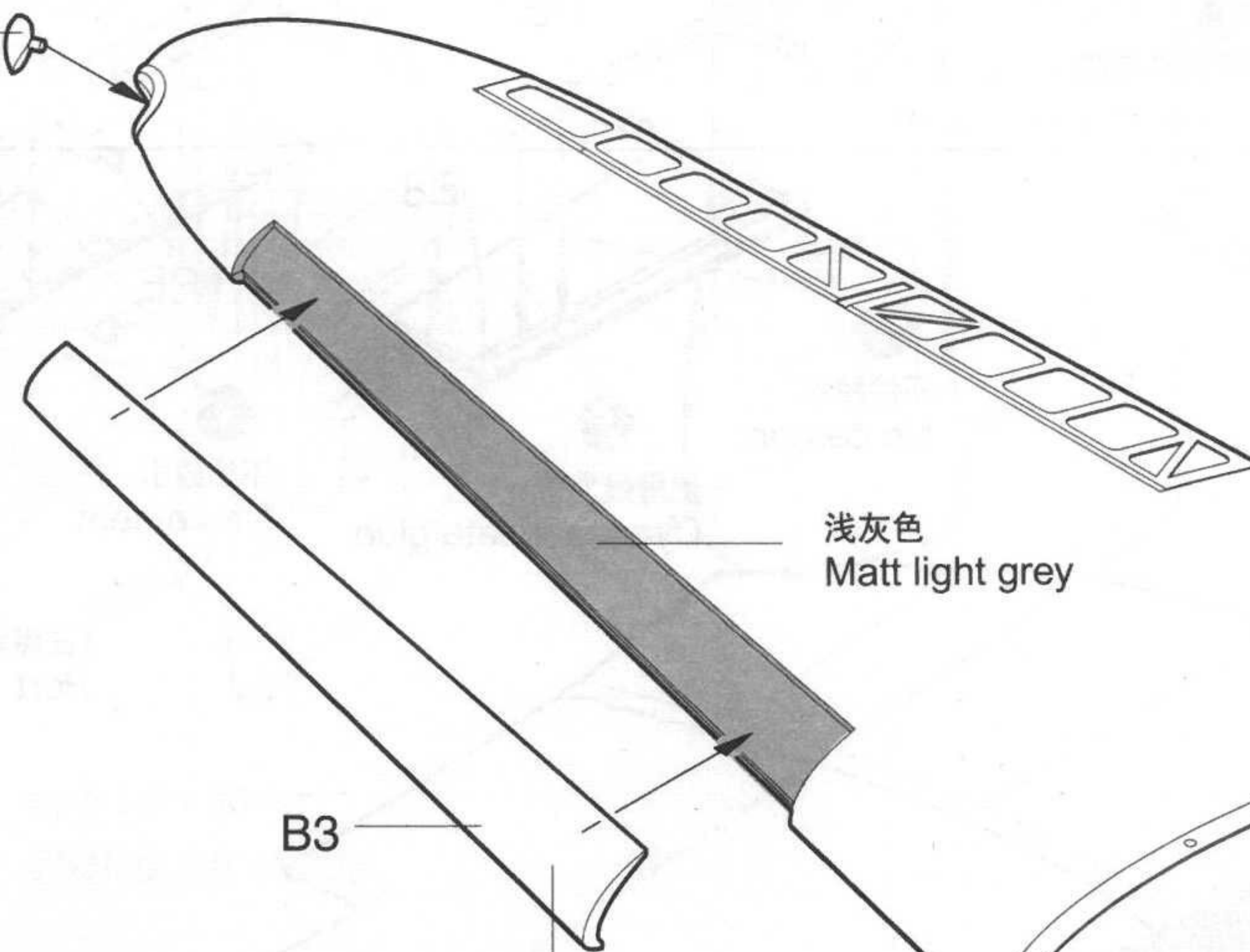
**5** 机身的组装  
Fuselage assembly





**7** 机翼的组装  
Wing assembly

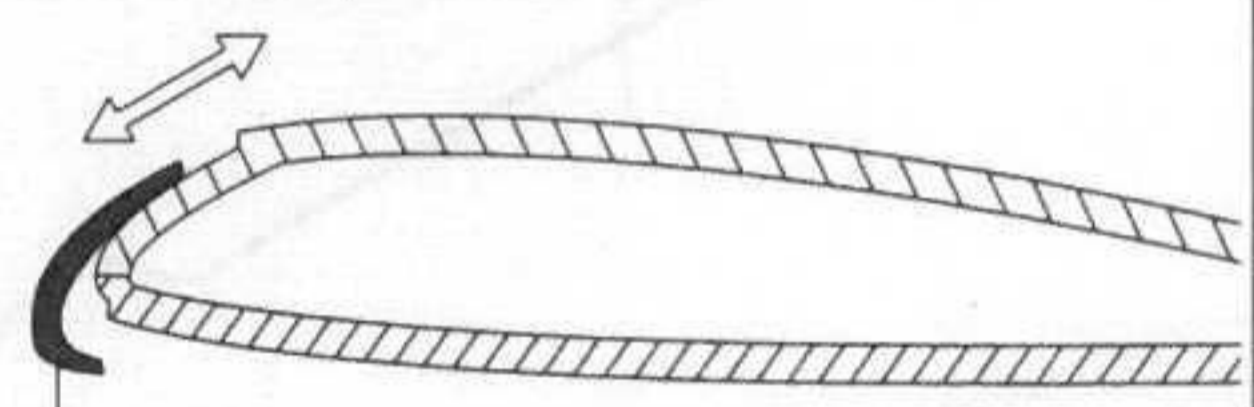
透明绿 E5  
Clear green



浅灰色  
Matt light grey

B3

Extended position

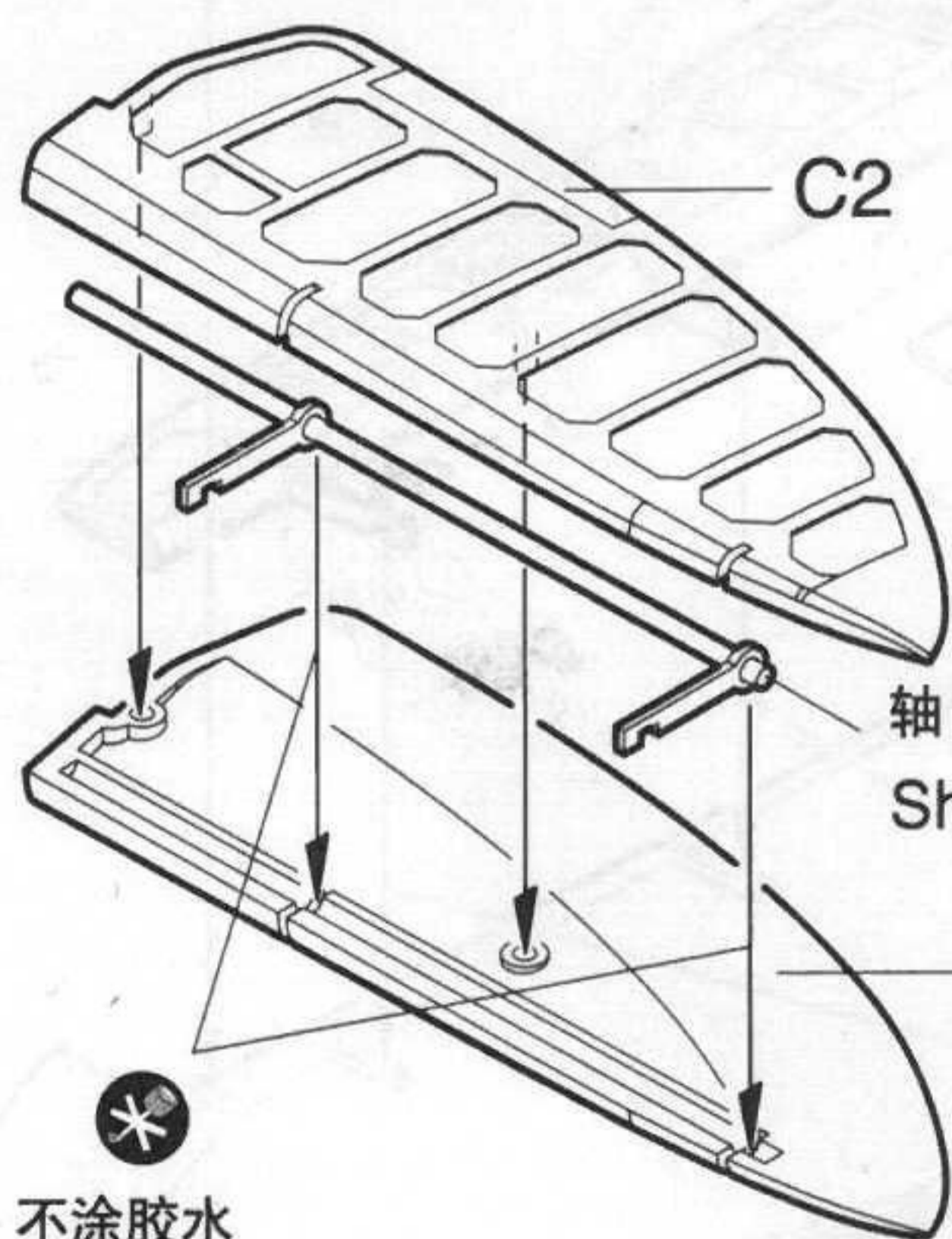


B3(B12)

内侧浅灰色  
Matt light grey inside

内侧浅灰色 A11  
Matt light grey inside

**9** 左侧水平尾翼的组装  
Left horizontal stabilizer assembly

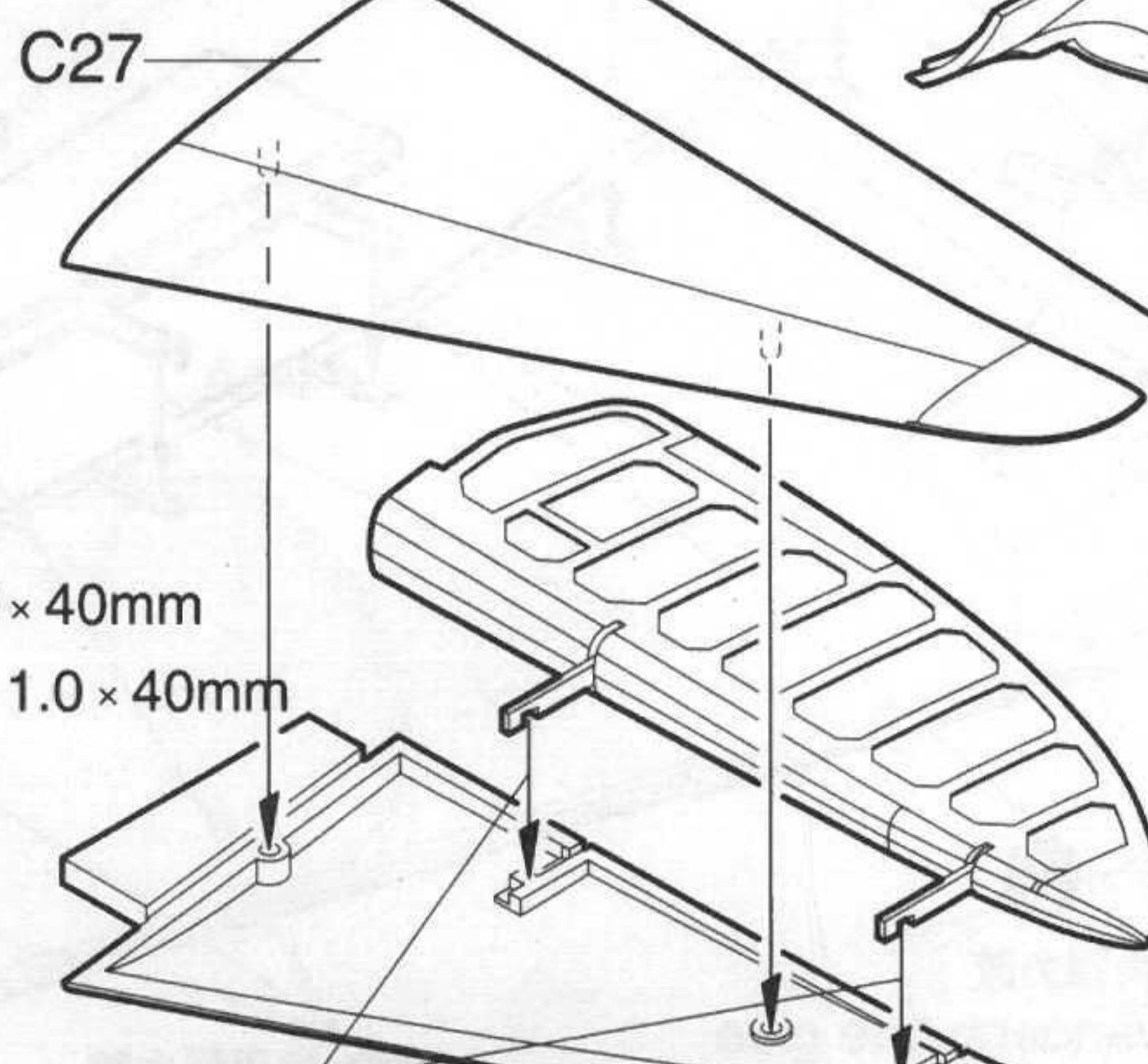


C2

轴  $\phi 1.0 \times 40\text{mm}$   
Shaft  $\phi 1.0 \times 40\text{mm}$

C1

不涂胶水  
No cement



C27

A12

使用强力胶  
Cyanoacrylate glue

C19

**8** 右侧水平尾翼的组装  
Right horizontal stabilizer assembly

C5

C6

不涂胶水  
No cement

轴  $\phi 1.0 \times 40\text{mm}$   
Shaft  $\phi 1.0 \times 40\text{mm}$

C20

C15

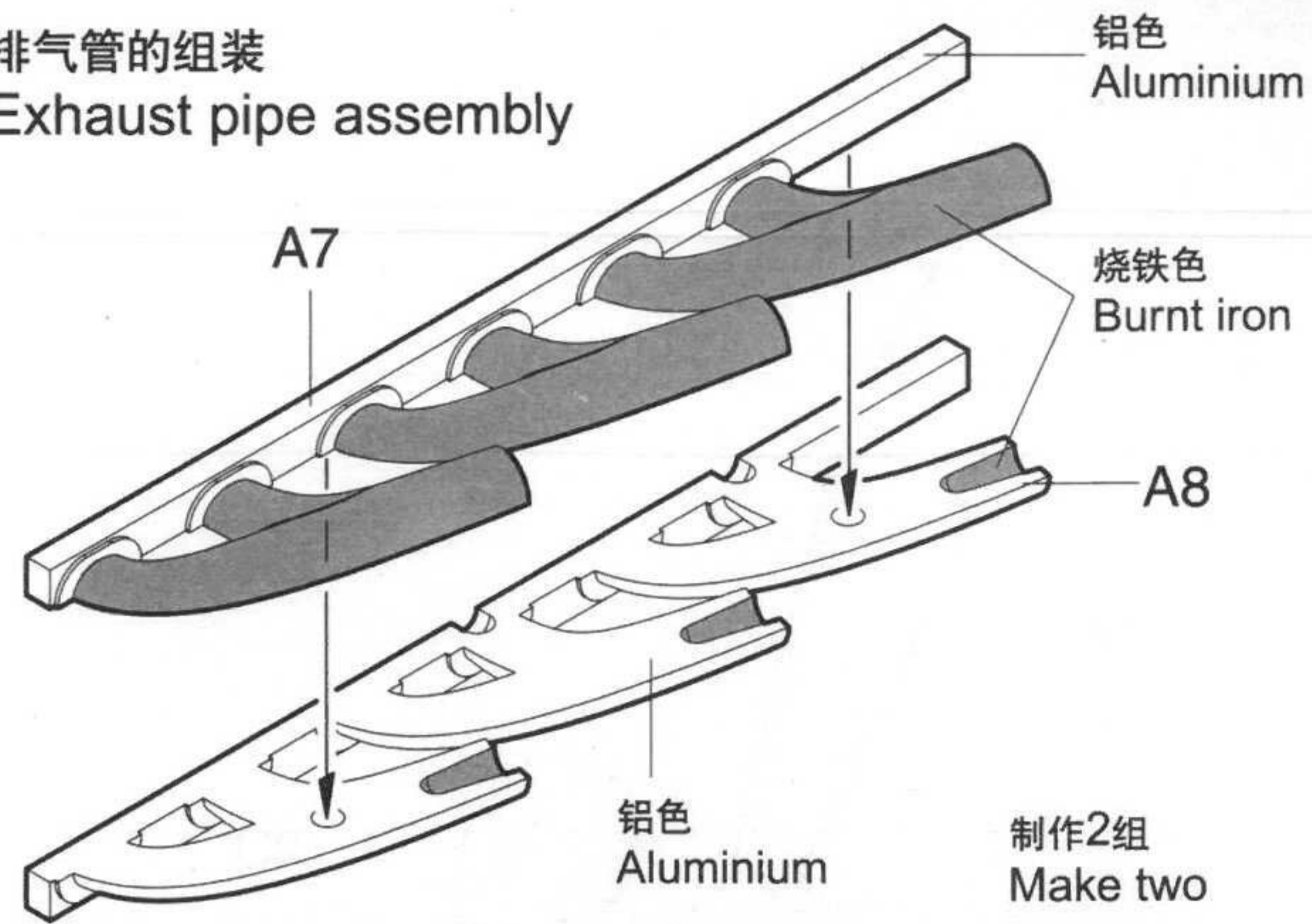
使用强力胶  
Cyanoacrylate glue

浅灰色  
Matt light grey

内侧浅灰色 B12  
Matt light grey inside

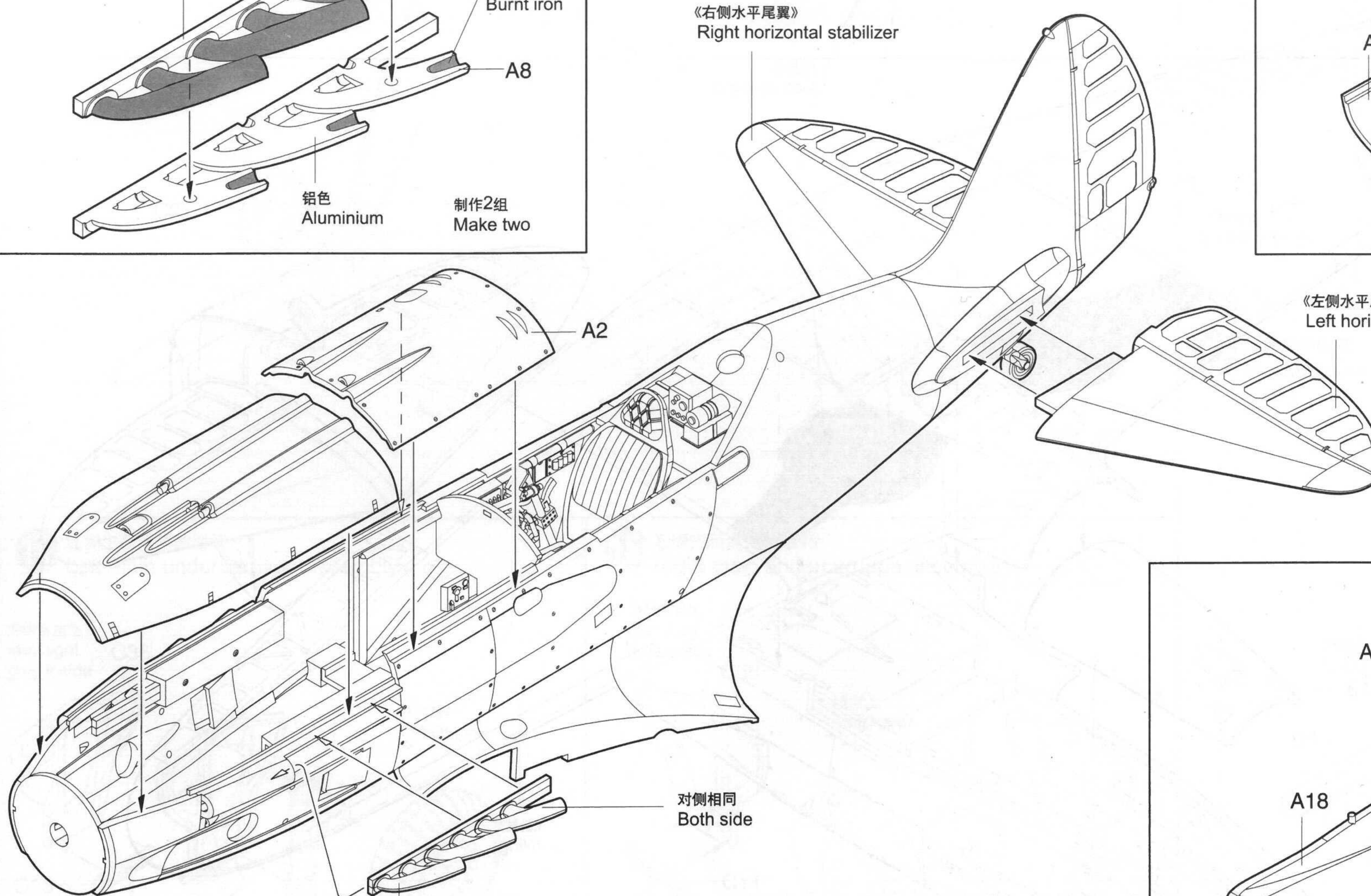
透明红 E4  
Clear red

**10** 排气管的组装  
Exhaust pipe assembly



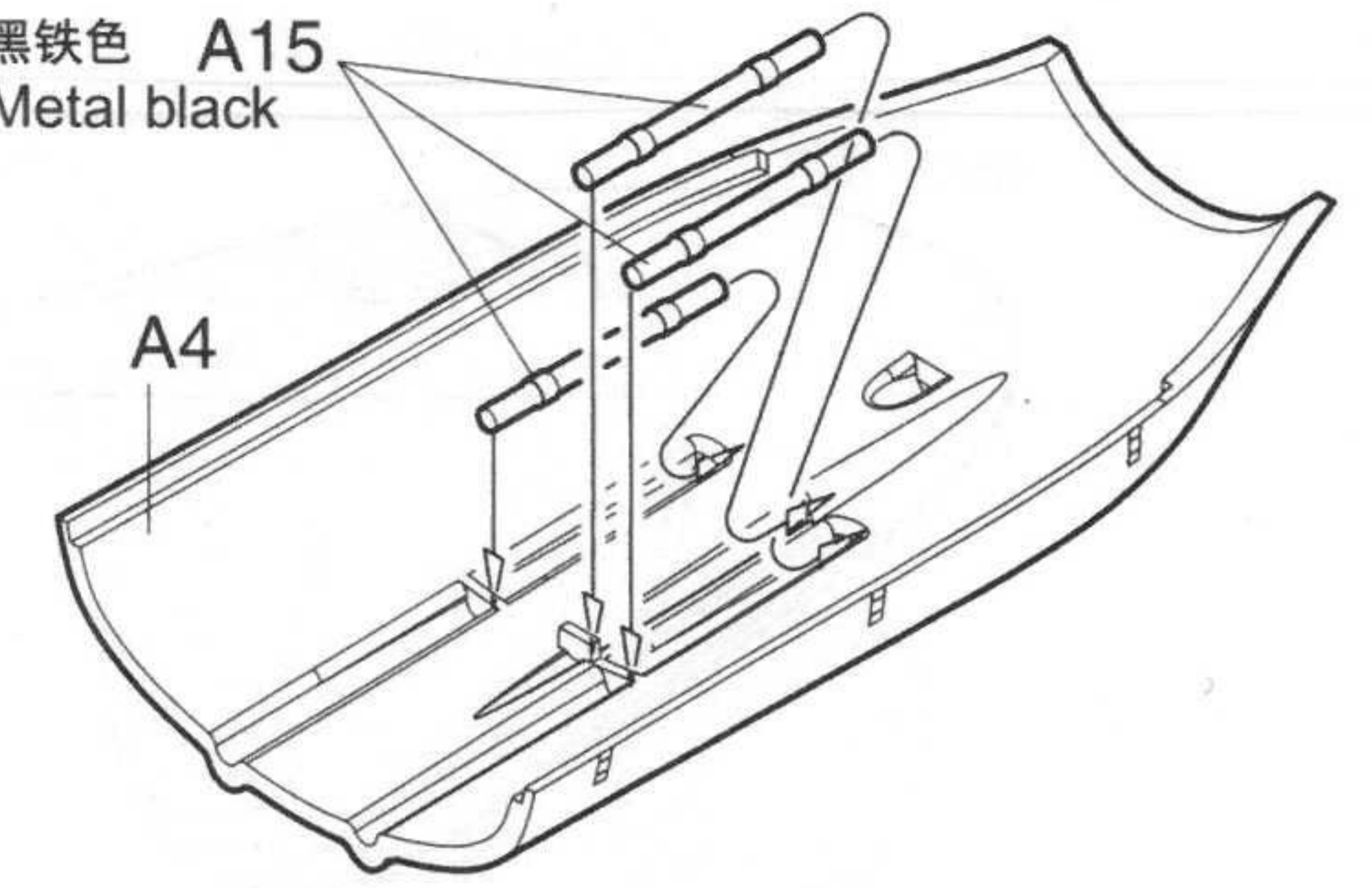
**11** 排气管的安装  
Exhaust pipe installation

《右侧水平尾翼》  
Right horizontal stabilizer

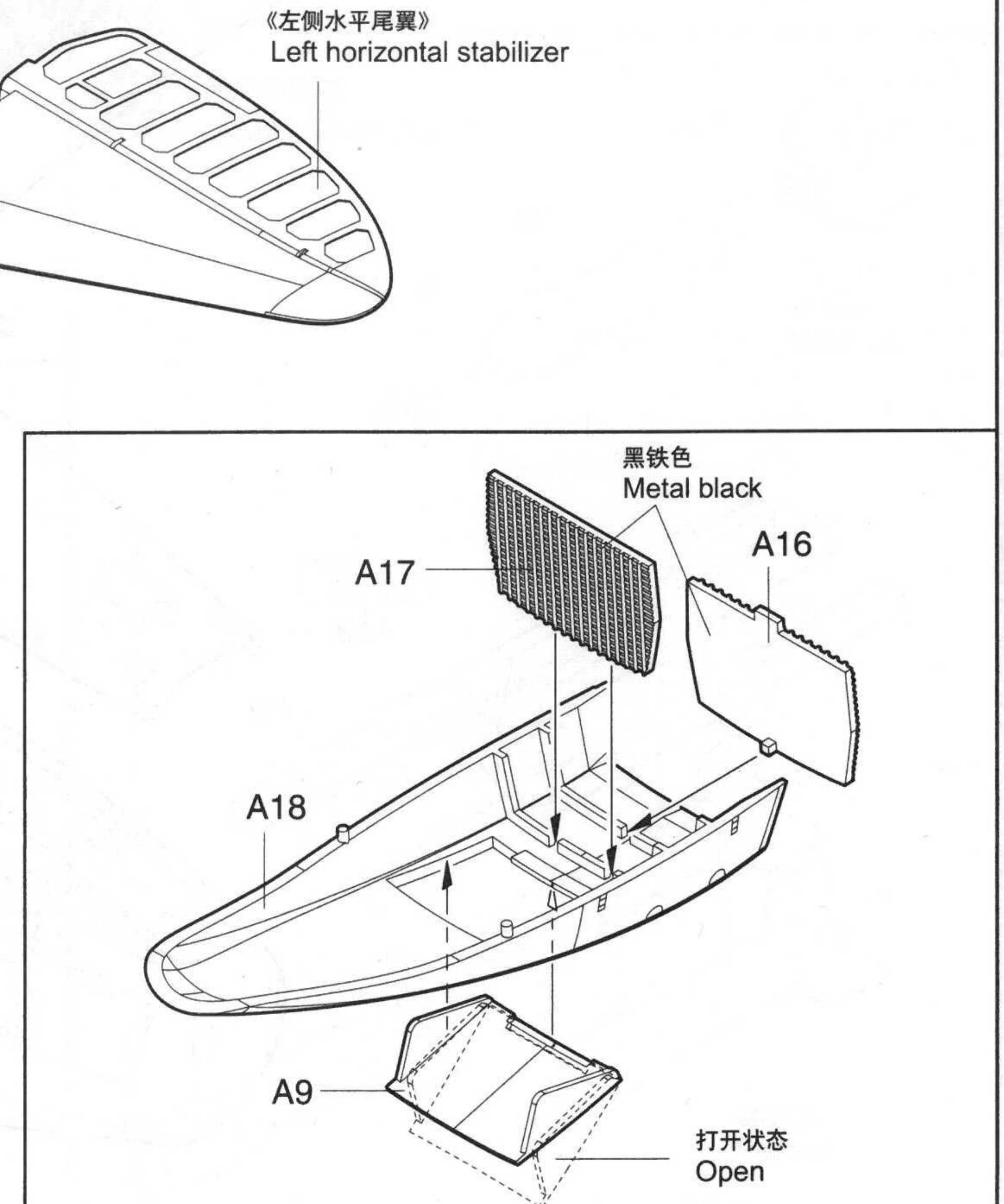


黑铁色 A15  
Metal black

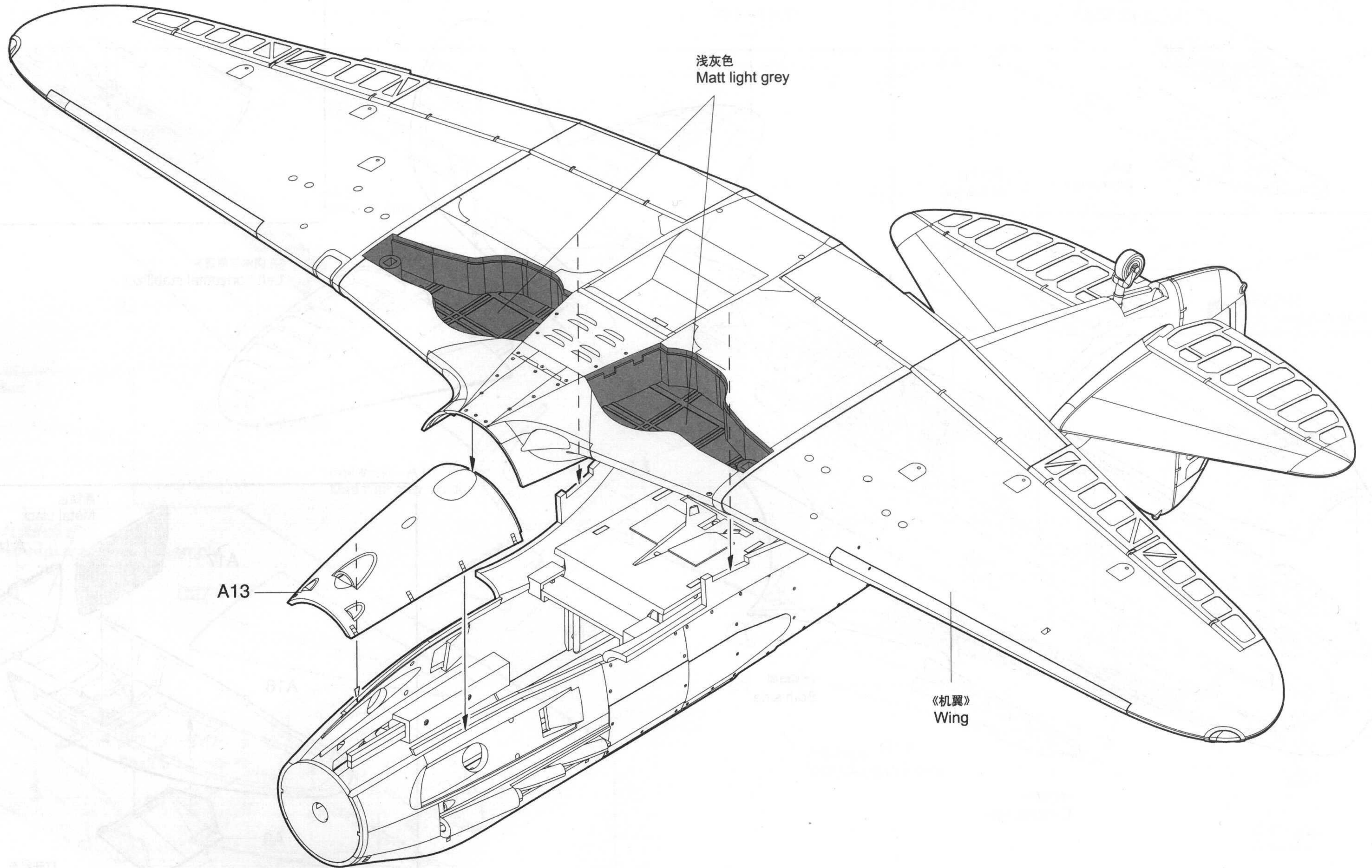
A4



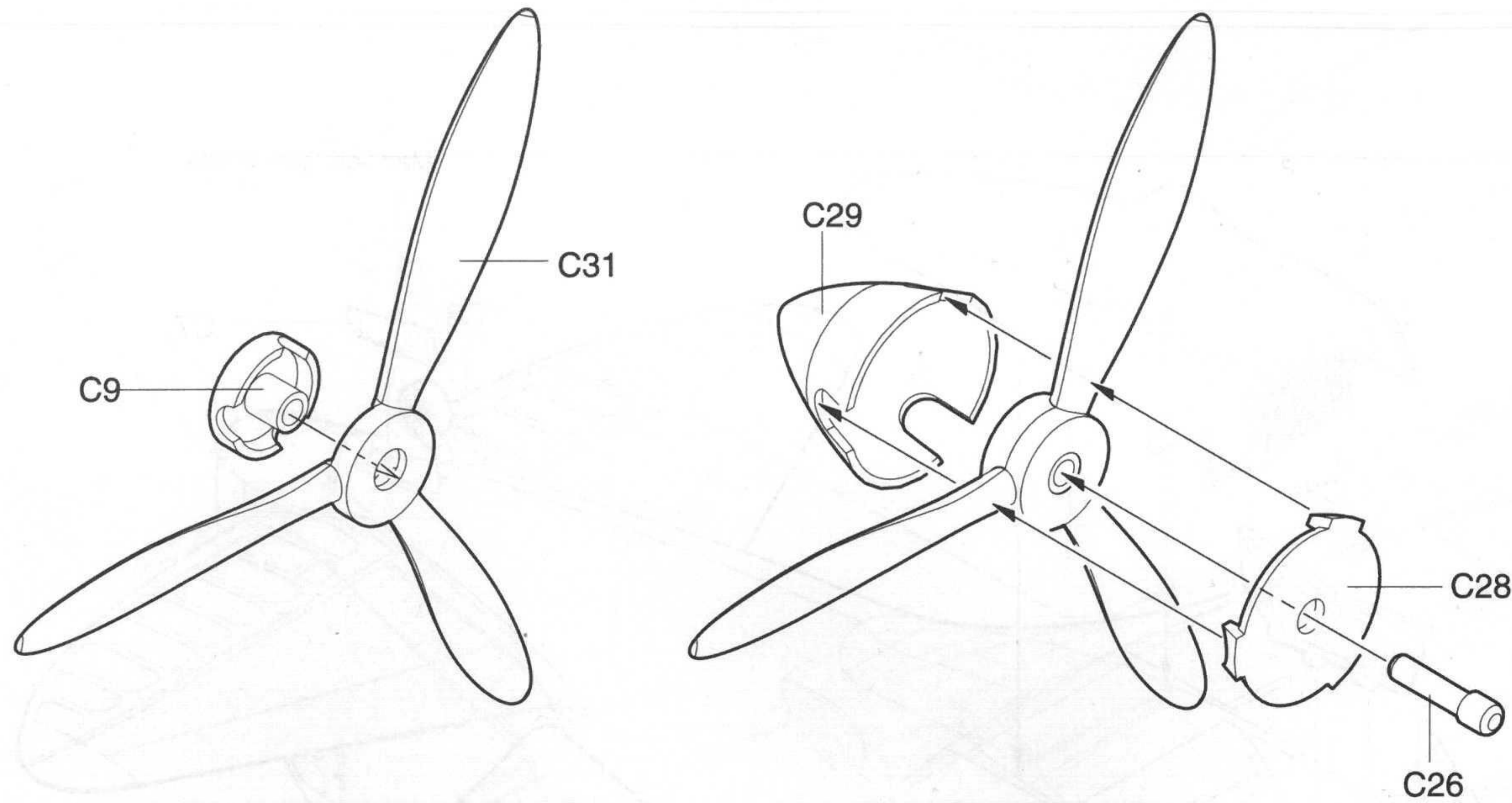
《左侧水平尾翼》  
Left horizontal stabilizer



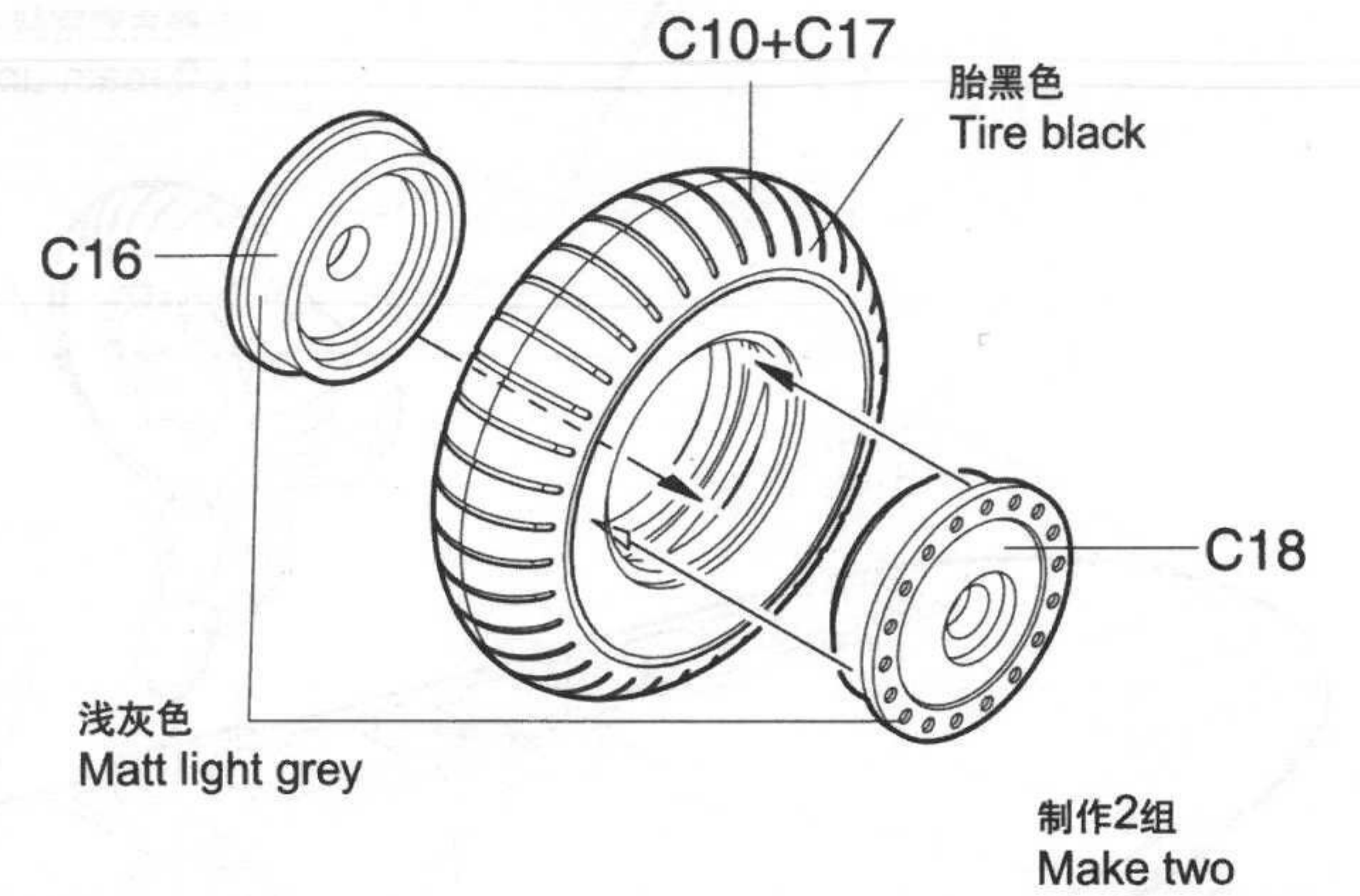
12 机翼的安装  
Wing installation



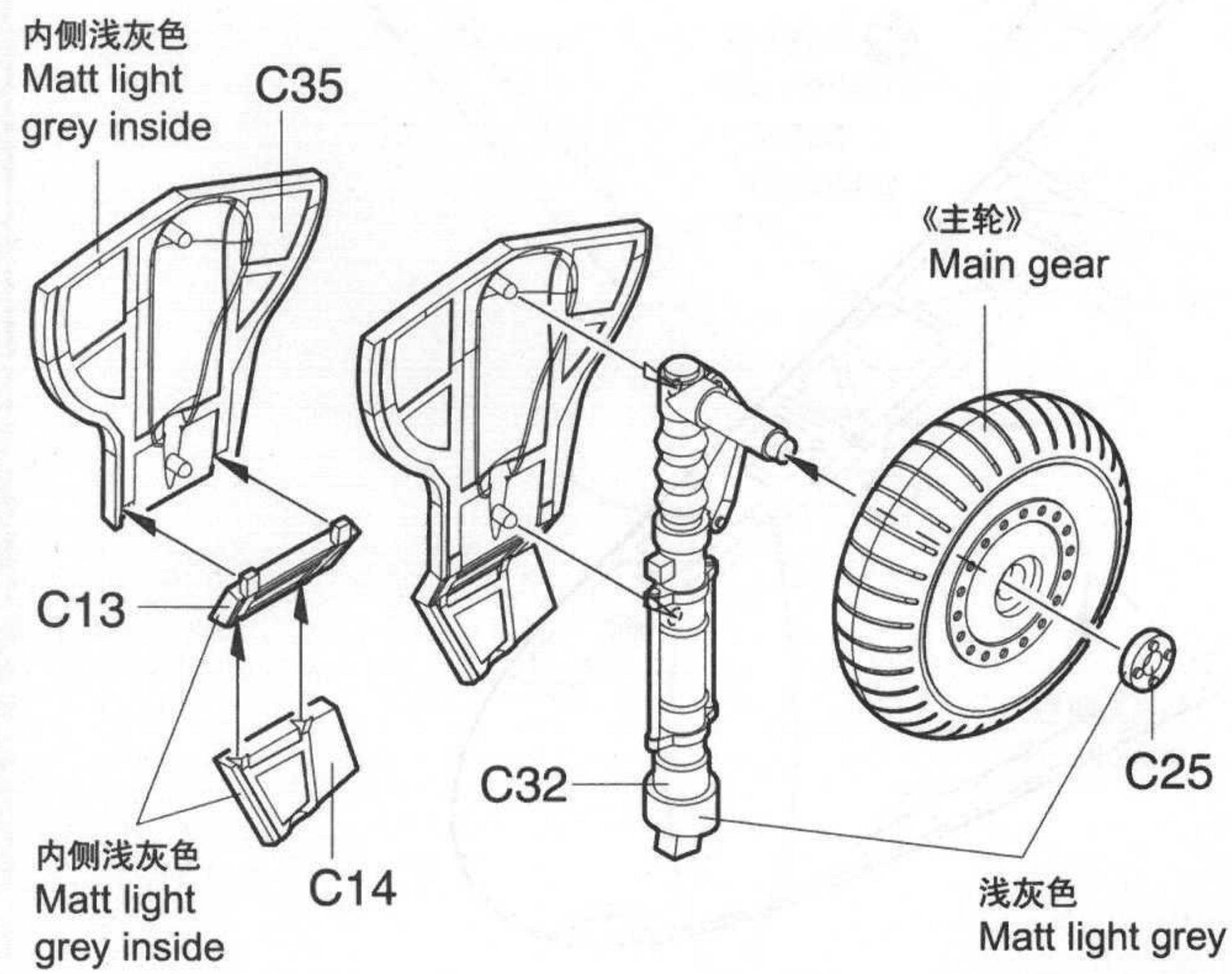
**13** 螺旋桨的组装  
Propeller assembly



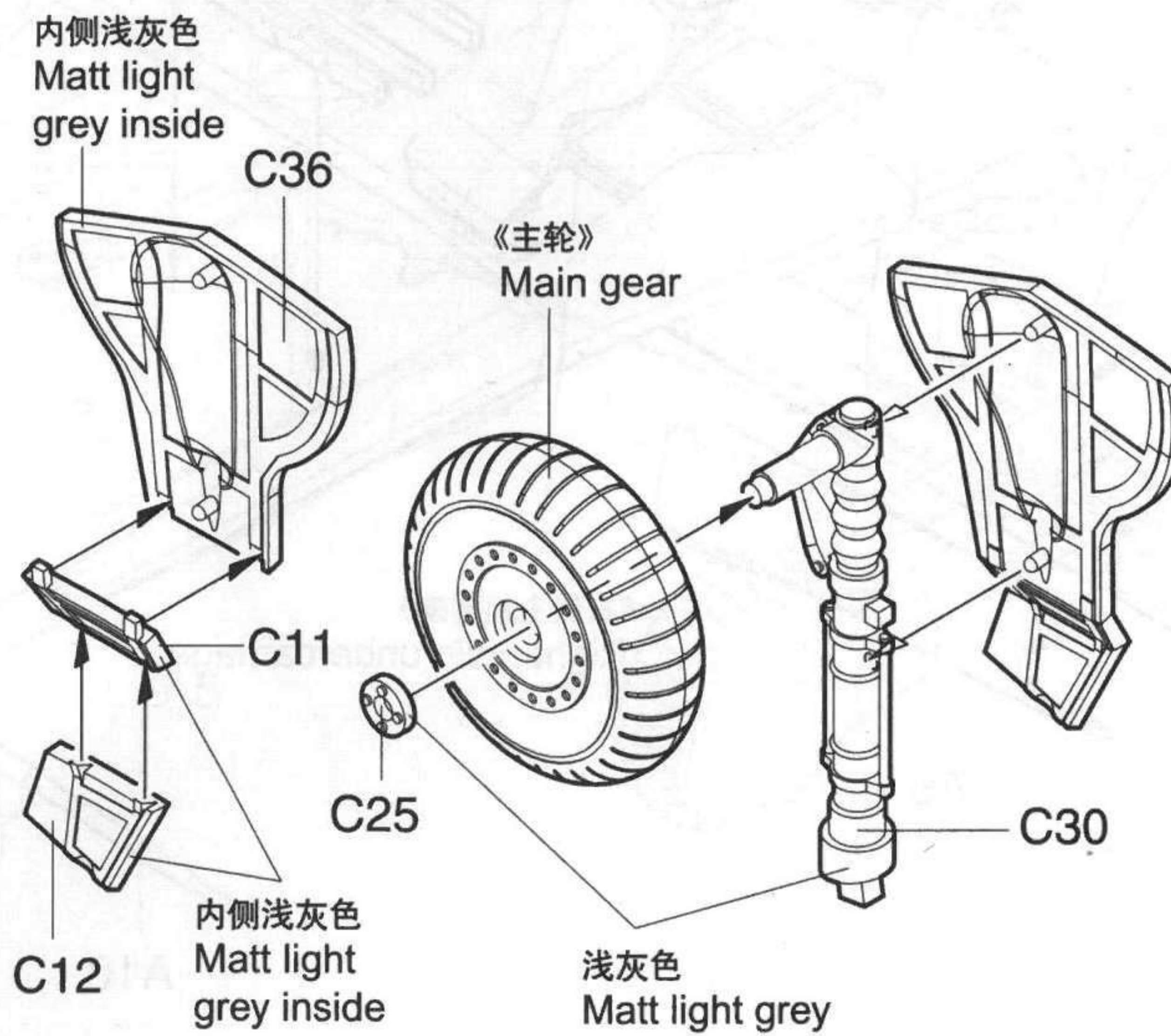
**16** 主轮的组装  
Main gear assembly



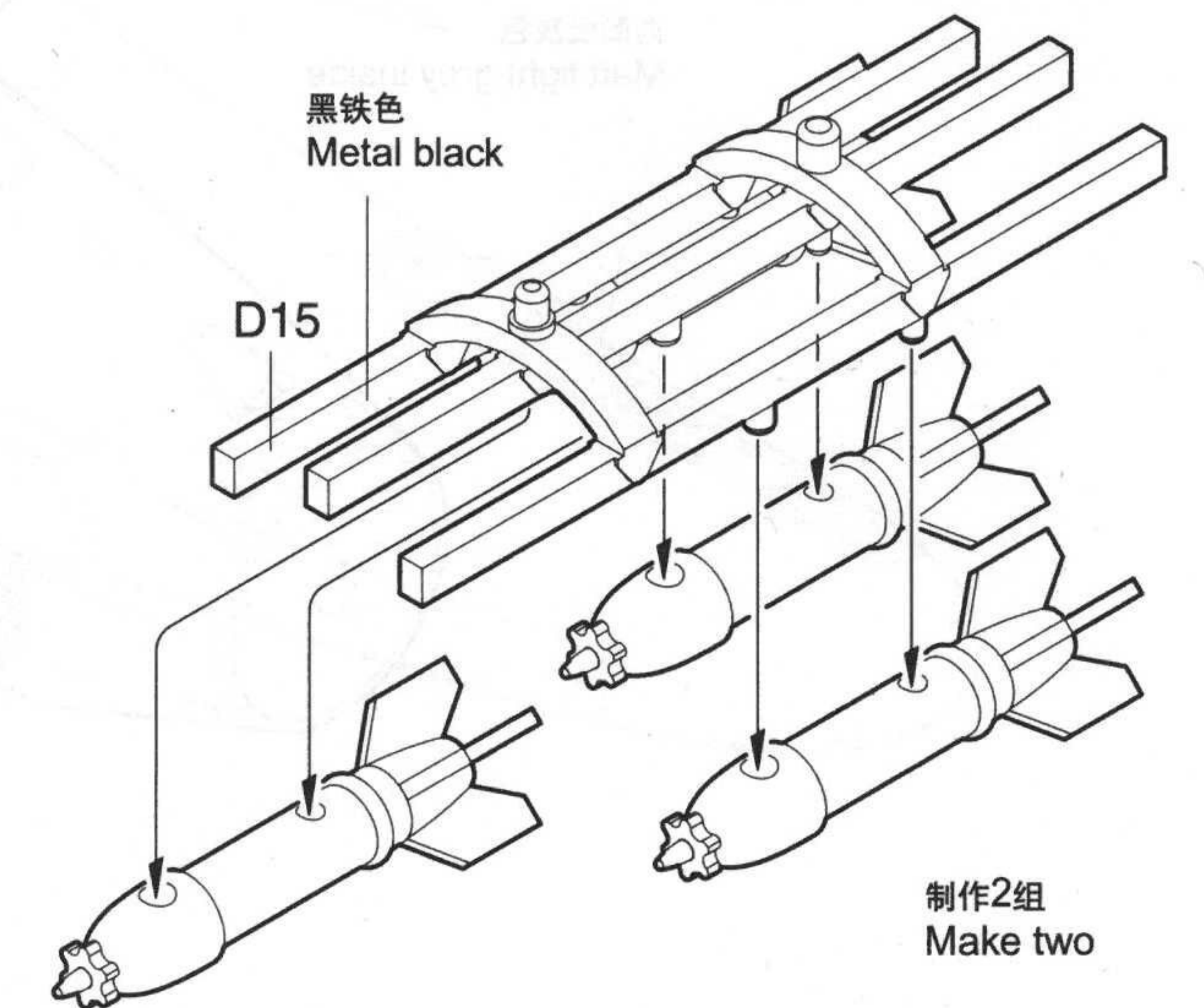
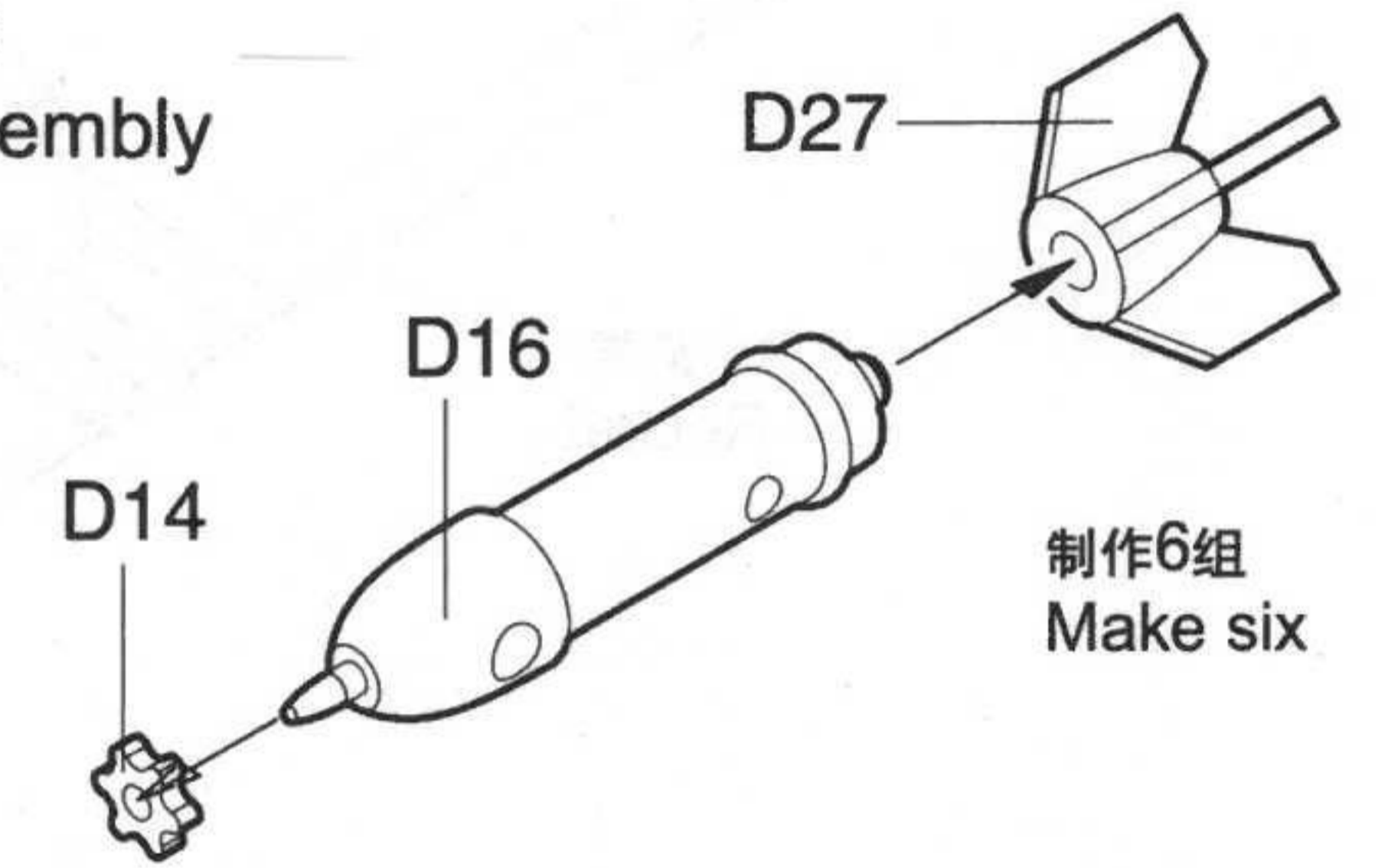
**14** 左侧主起落架的组装  
Left main undercarriage assembly



**15** 右侧主起落架的组装  
Right main undercarriage assembly

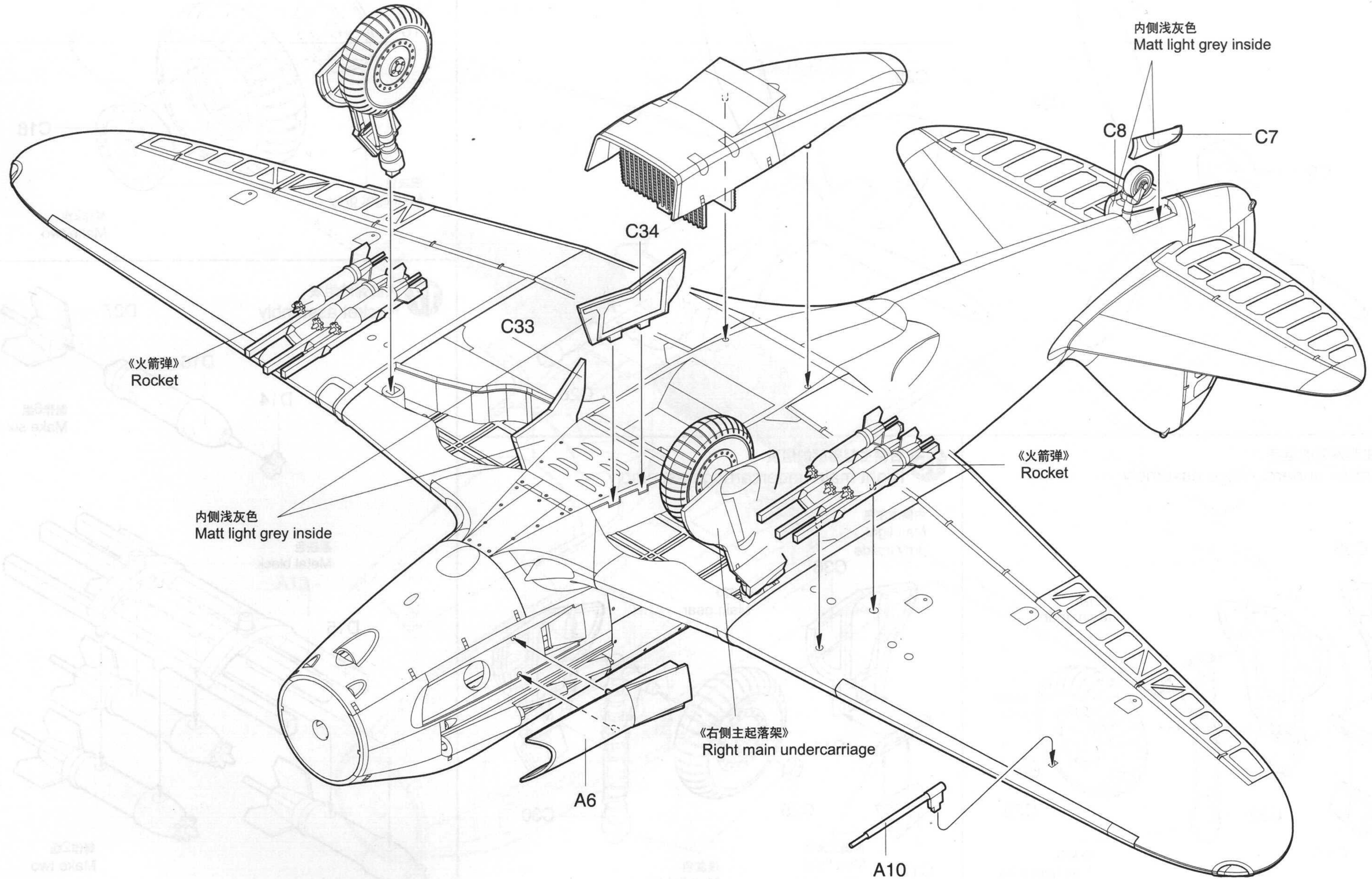


**17** 火箭弹的组装  
Rocket assembly

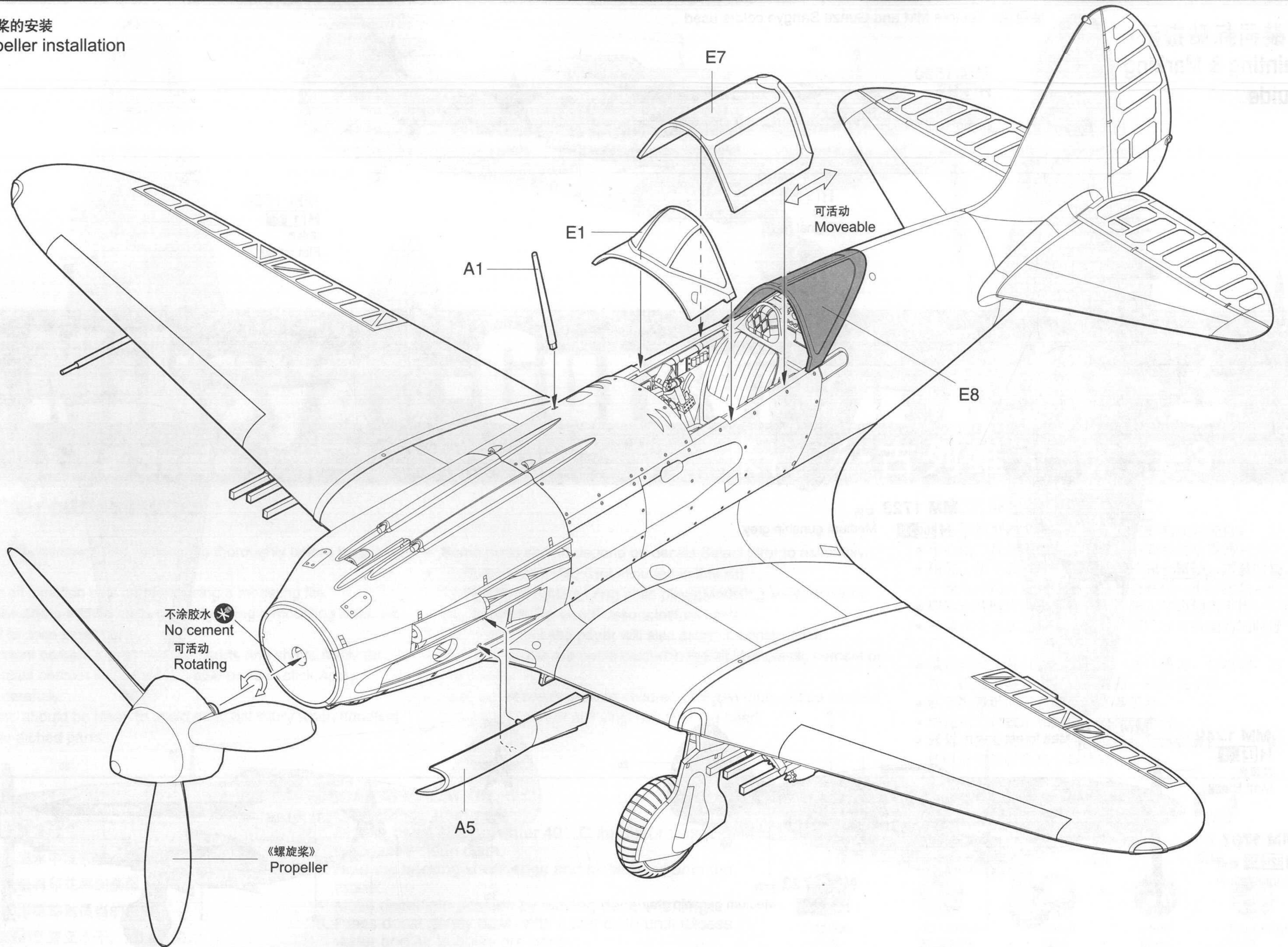


**18** 主起落架的安装  
Main undercarriage installation

《左侧主起落架》  
Left main undercarriage

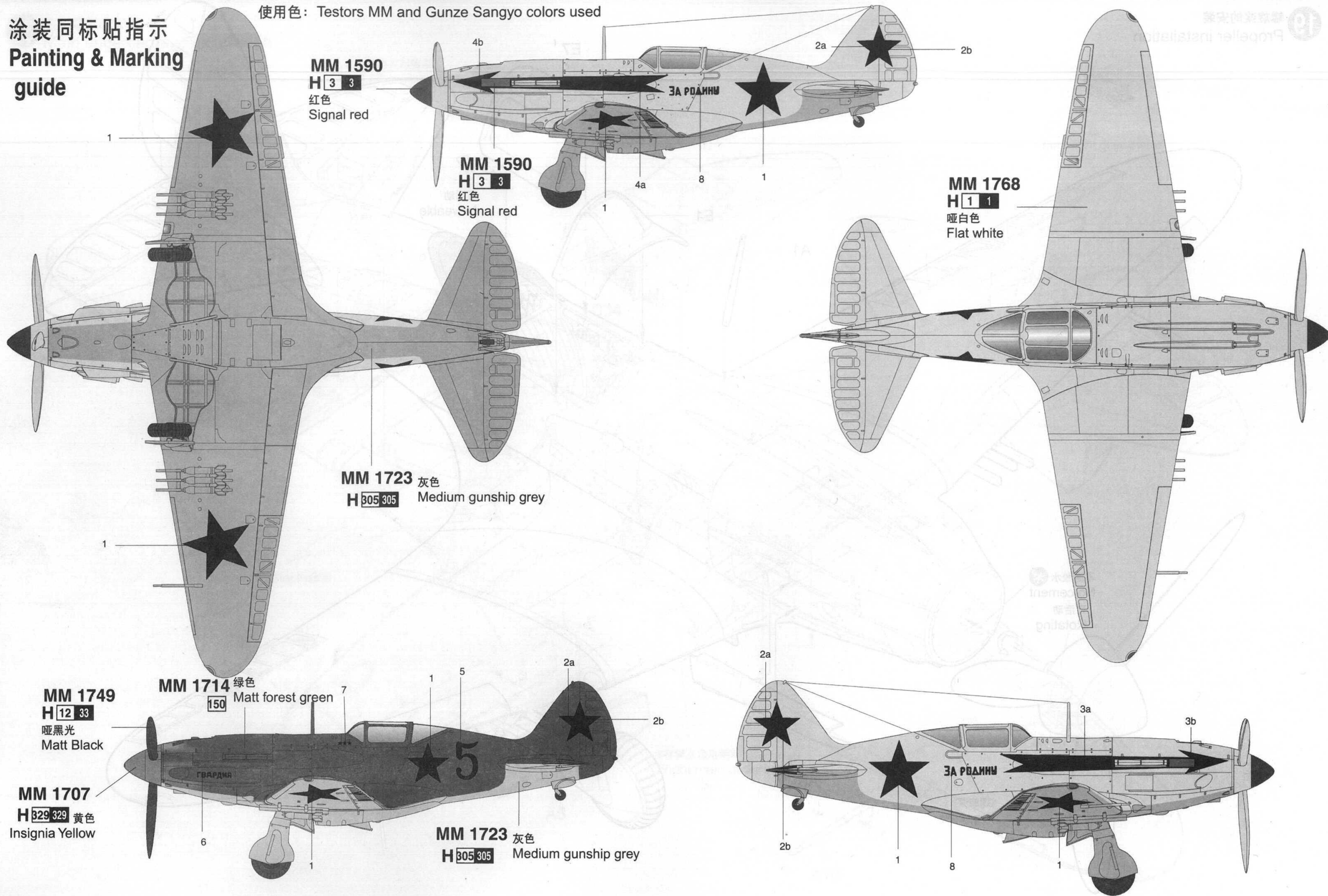


19 螺旋桨的安装  
Propeller installation



涂装同标贴指示  
Painting & Marking  
guide

使用色: Testors MM and Gunze Sangyo colors used



MM 1590  
H 3 3  
红色  
Signal red

MM 1590  
H 3 3  
红色  
Signal red

MM 1768  
H 1 1  
哑白色  
Flat white

MM 1723 灰色  
H 305 305  
Medium gunship grey

MM 1749  
H 12 33  
哑黑光  
Matt Black

MM 1714 绿色  
150  
Matt forest green

MM 1707  
H 329 329  
黄色  
Insignia Yellow

MM 1723 灰色  
H 305 305  
Medium gunship grey