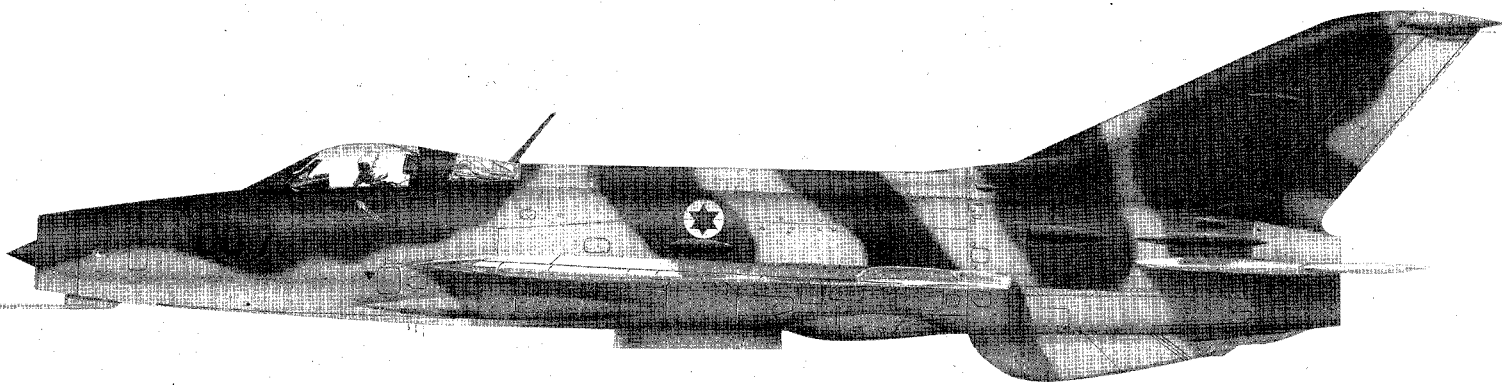


ITEM NO. 02210

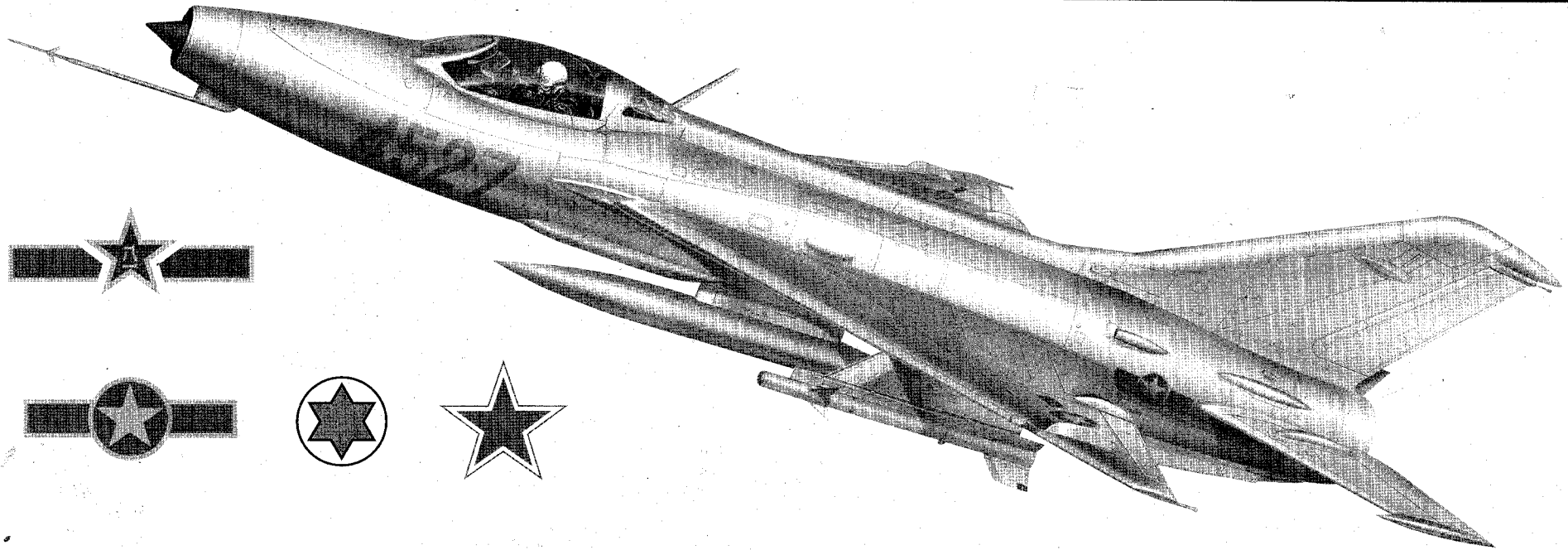


TRUMPETER



MiG-21 F-13

1:32 SCALE

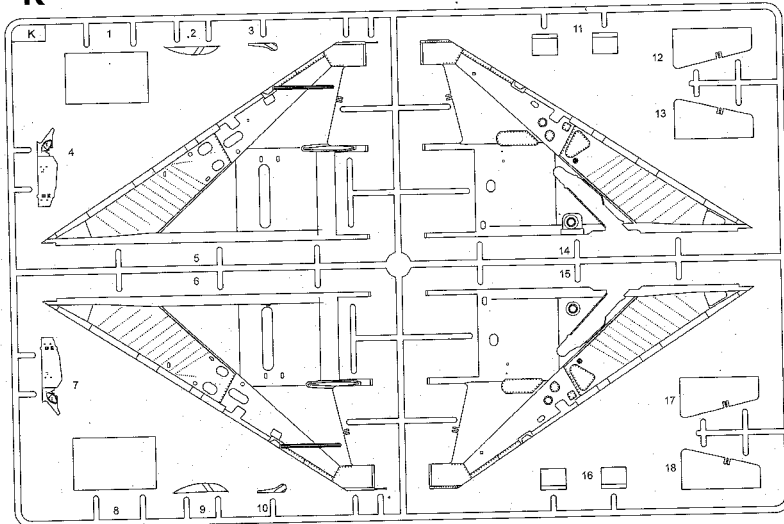


02210

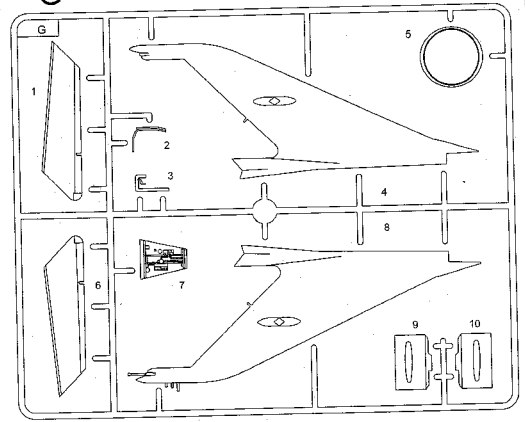
1

部品图 Parts

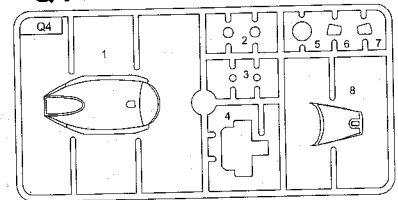
K



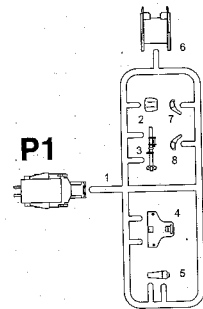
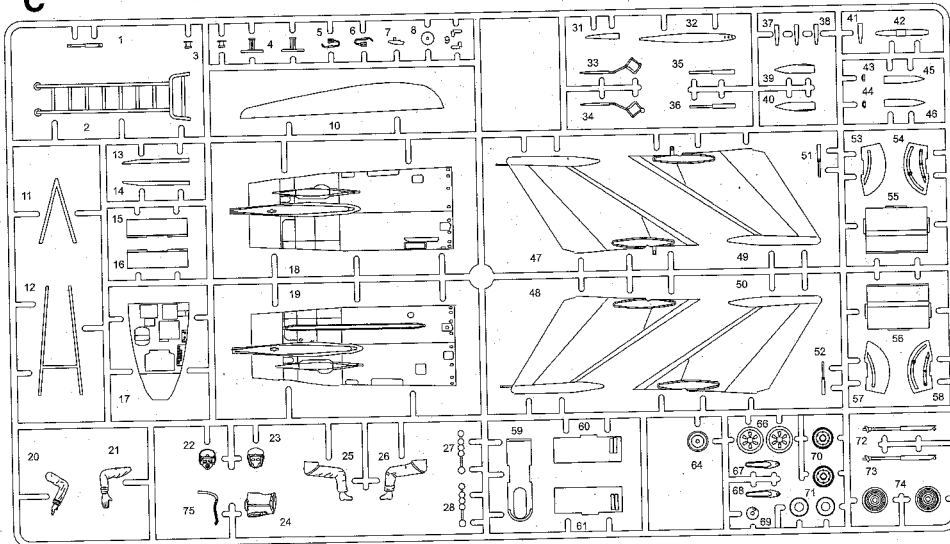
G



Q4

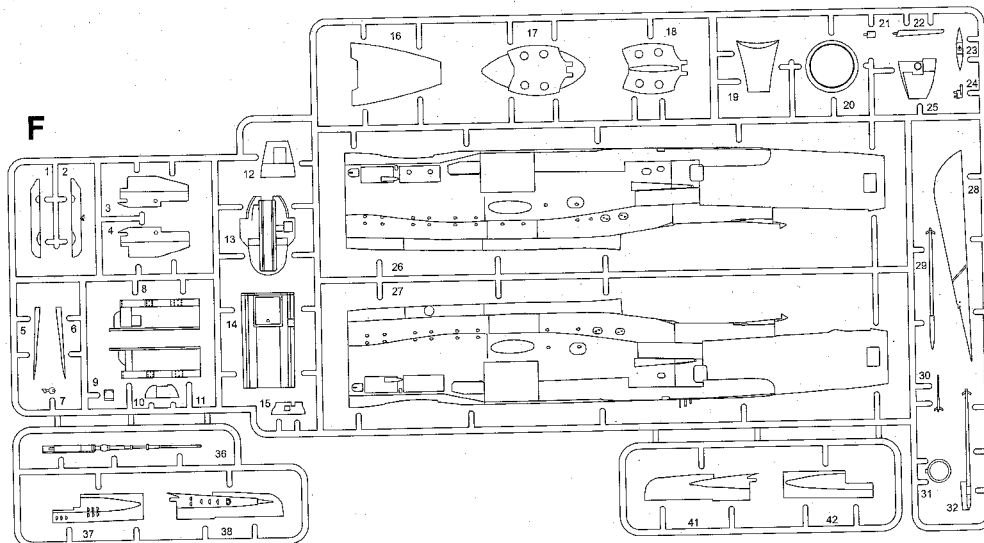


C



左轮柱
Left main gear strut

F



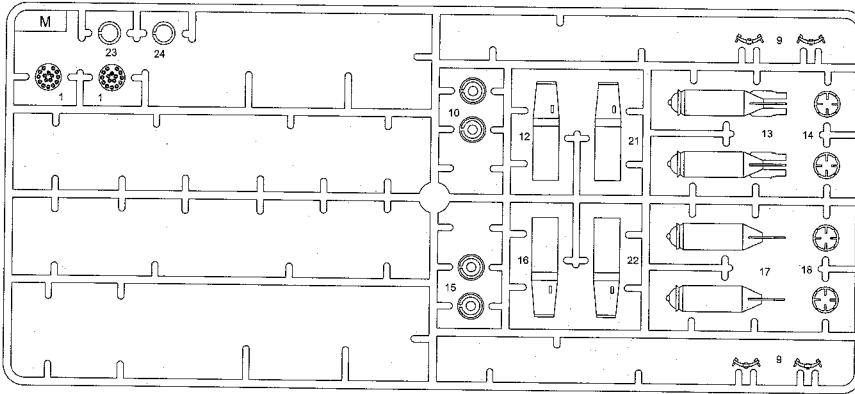
右轮柱
Right main gear strut

前轮柱
Nose gear strut

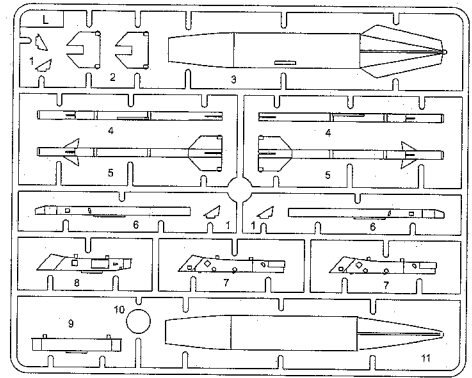
机鼻
Nose cone

部品图 Parts

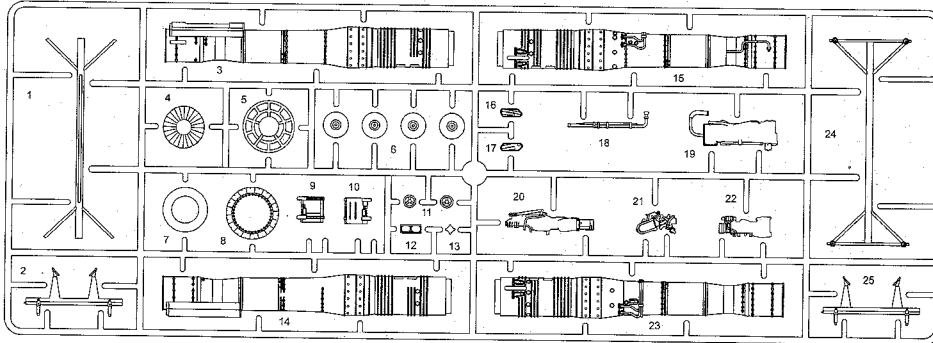
M



L



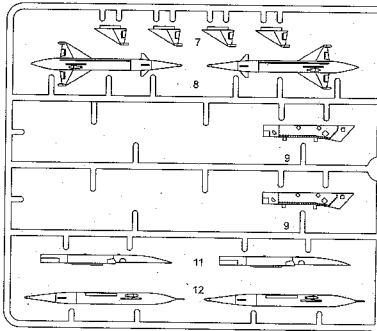
H



轮胎
Tire



N



螺丝 Screw $\phi 1.4 \times 6\text{mm}$

水贴纸 Decal 1PCS

胶片 Film



cyanoacrylate glue
使用强力胶



weight
配重



make hole
钻孔



cut / remove
切除



bend
弯曲



file / sand
锉平



option
选择



no cement
不涂胶水



decal
贴纸

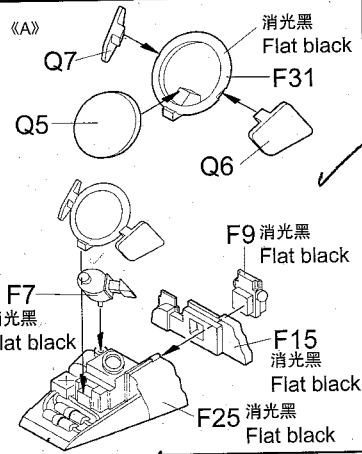
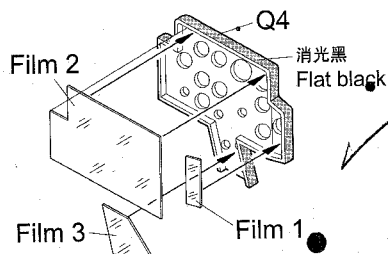
水贴纸的使用:

1. 从水贴上剪下印花;
2. 将印花放入温水中浸10秒, 然后放在干净布上。
3. 拿着印花纸板将印花移到模型上;
4. 手指蘸水将印花移到适当的位置;
5. 用软布轻压印花直至水干, 气泡消失。

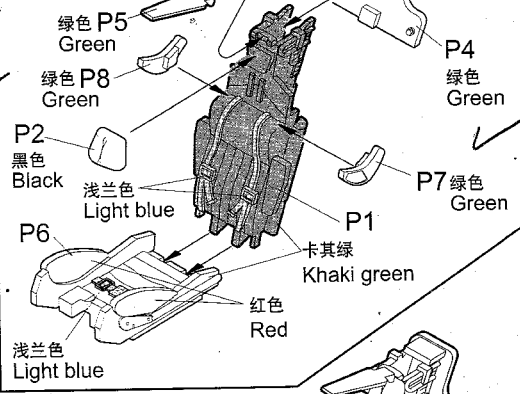
DECAL APPLICATION

1. Cut off decal from sheet.
2. Dip the decal in tepid water 40°C for about 10 sec. and place on a clean cloth.
3. Hold the backing sheet edge and slide decal onto the model.
4. Move decal into position by wetting decal with finger.
5. Press decal gently down with a soft cloth until excess water and air bubbles are gone.

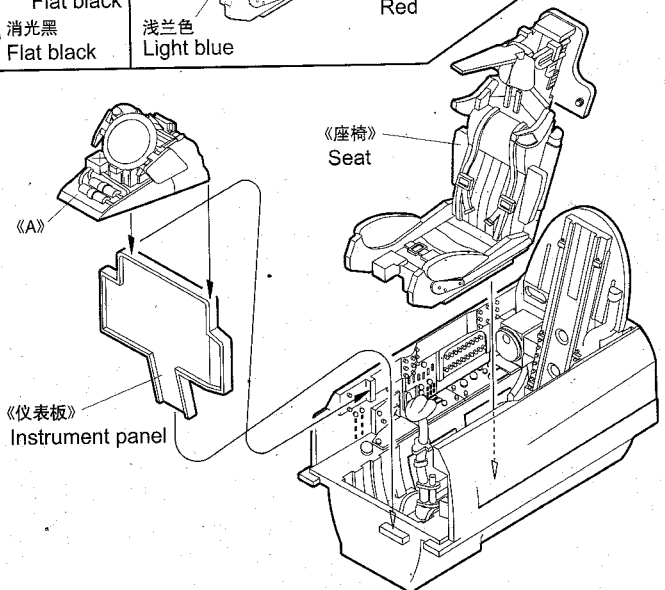
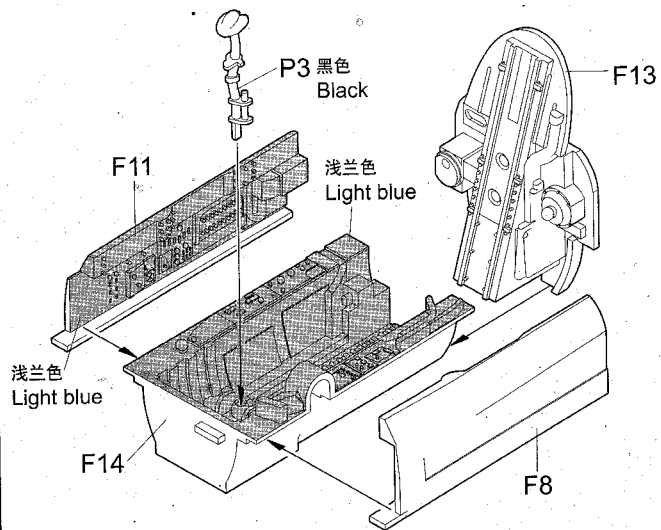
1 仪表板
Instrument panel



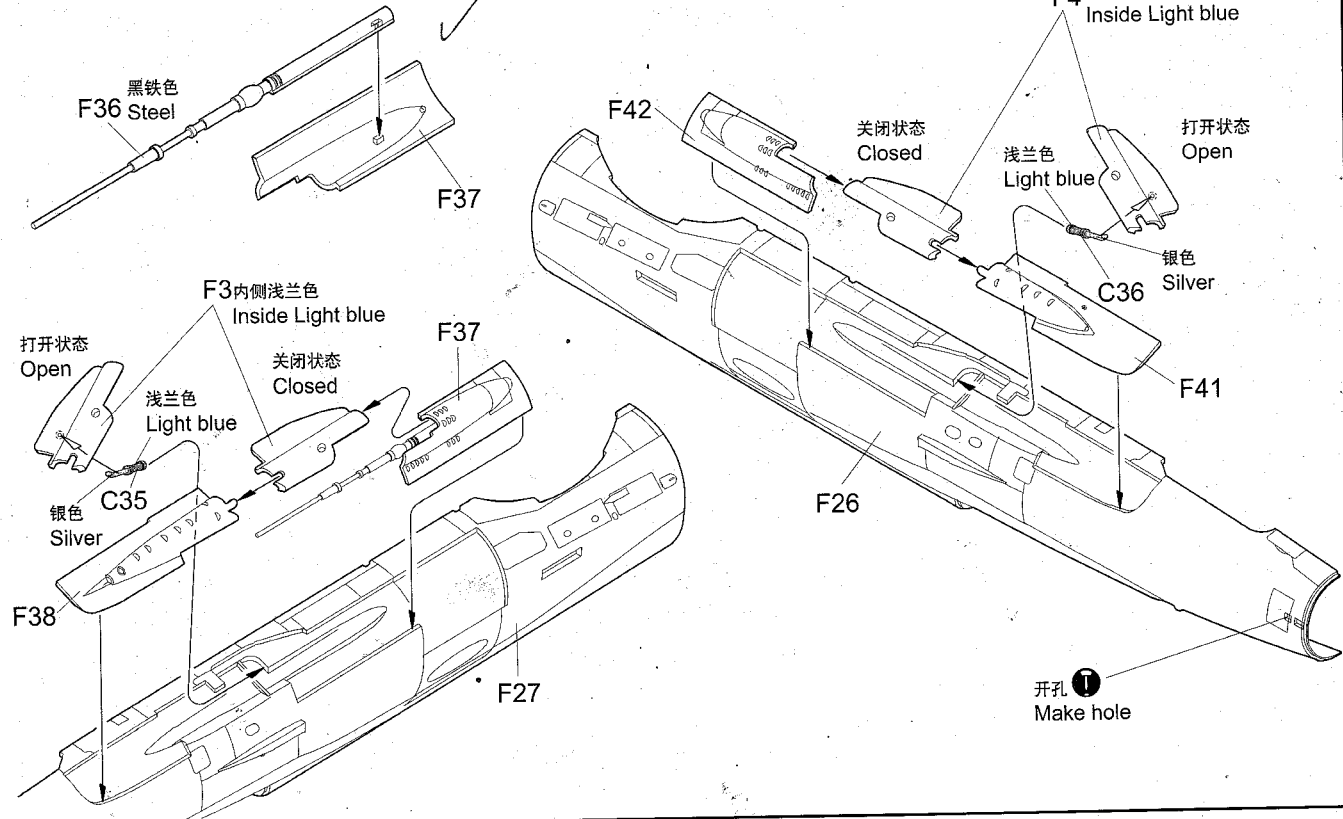
2 座椅
Seat



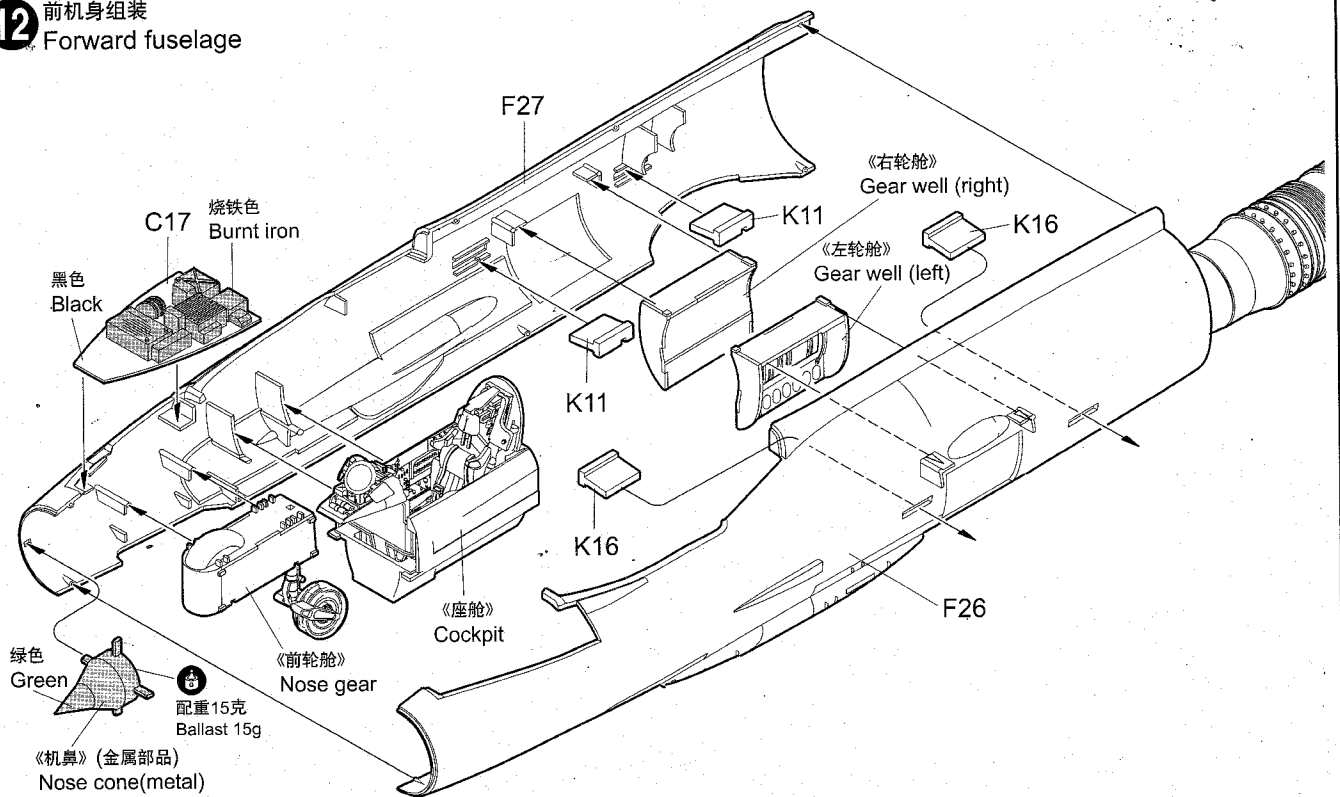
3 座舱的组装
Cockpit assembly



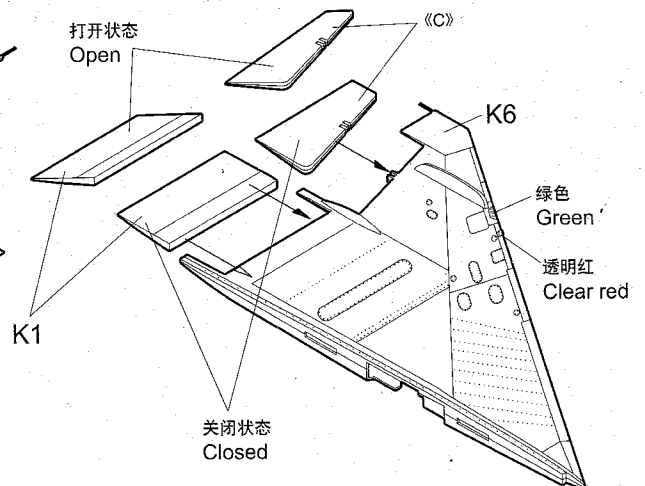
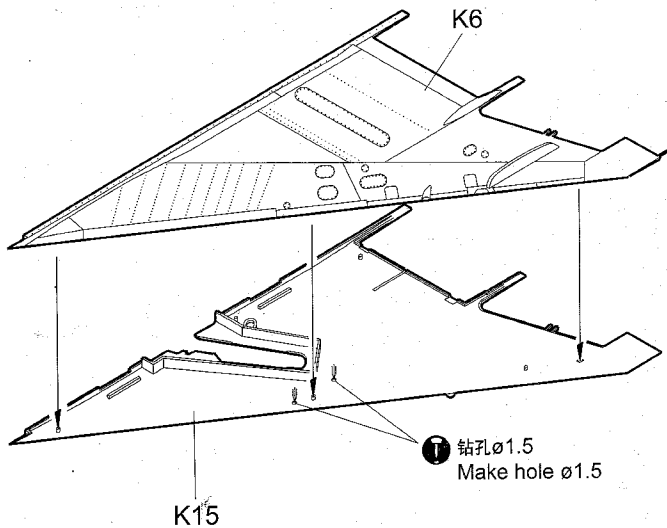
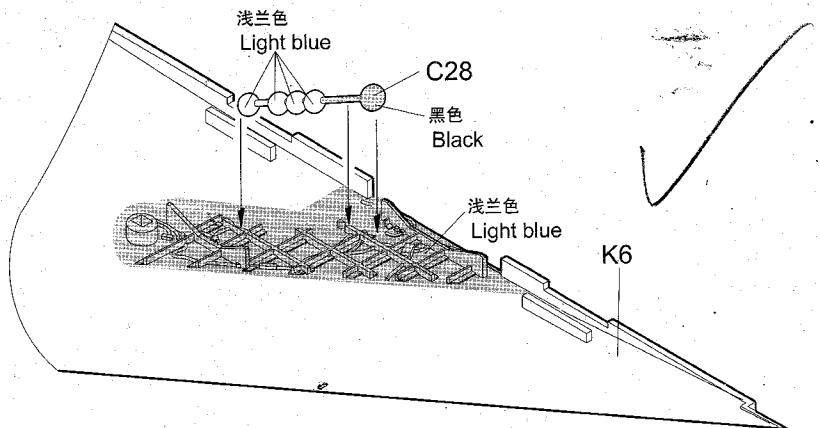
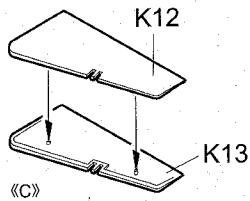
4 机炮同减速板的安装
Attaching cannon and airbrake



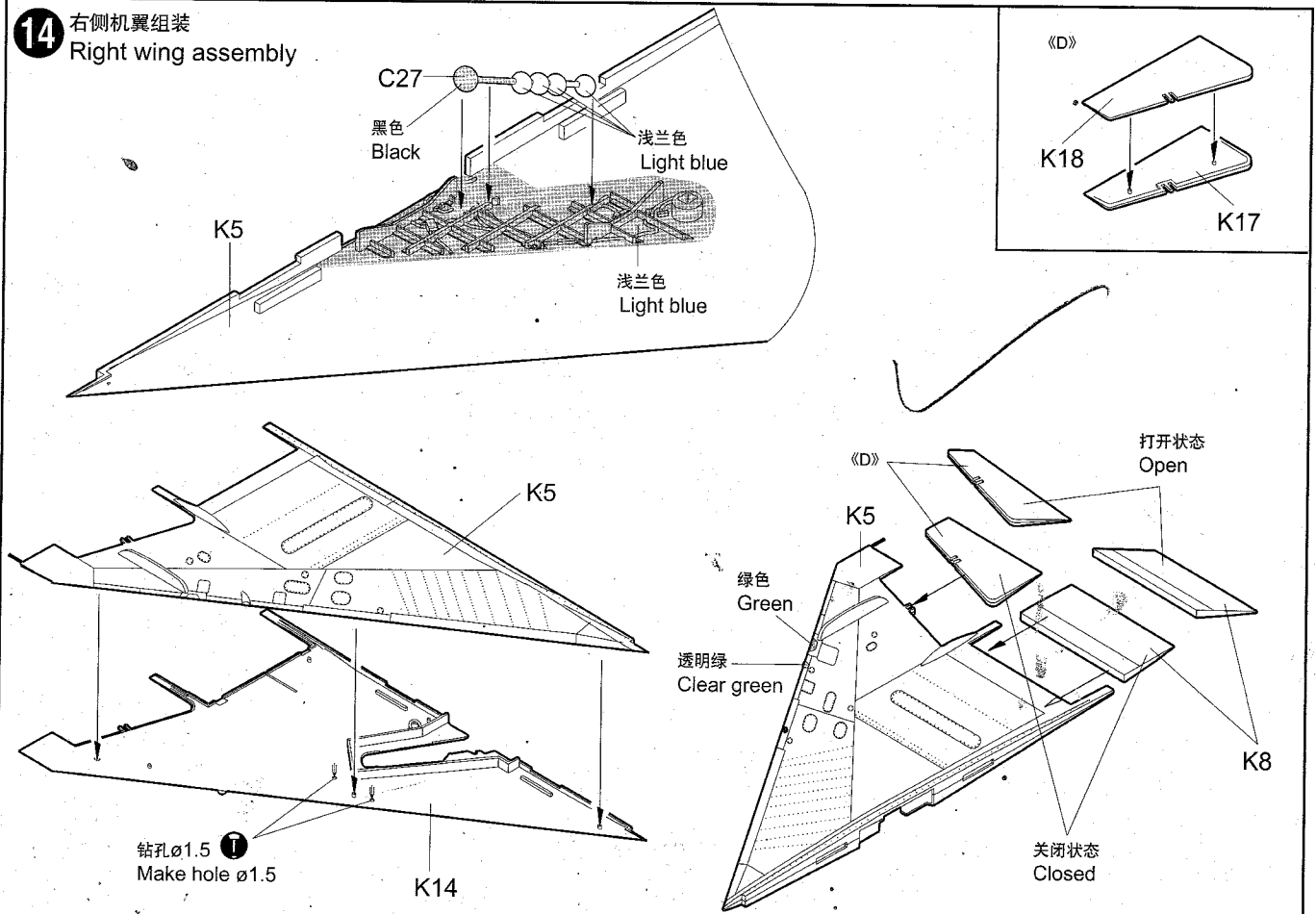
12 前机身组装
Forward fuselage



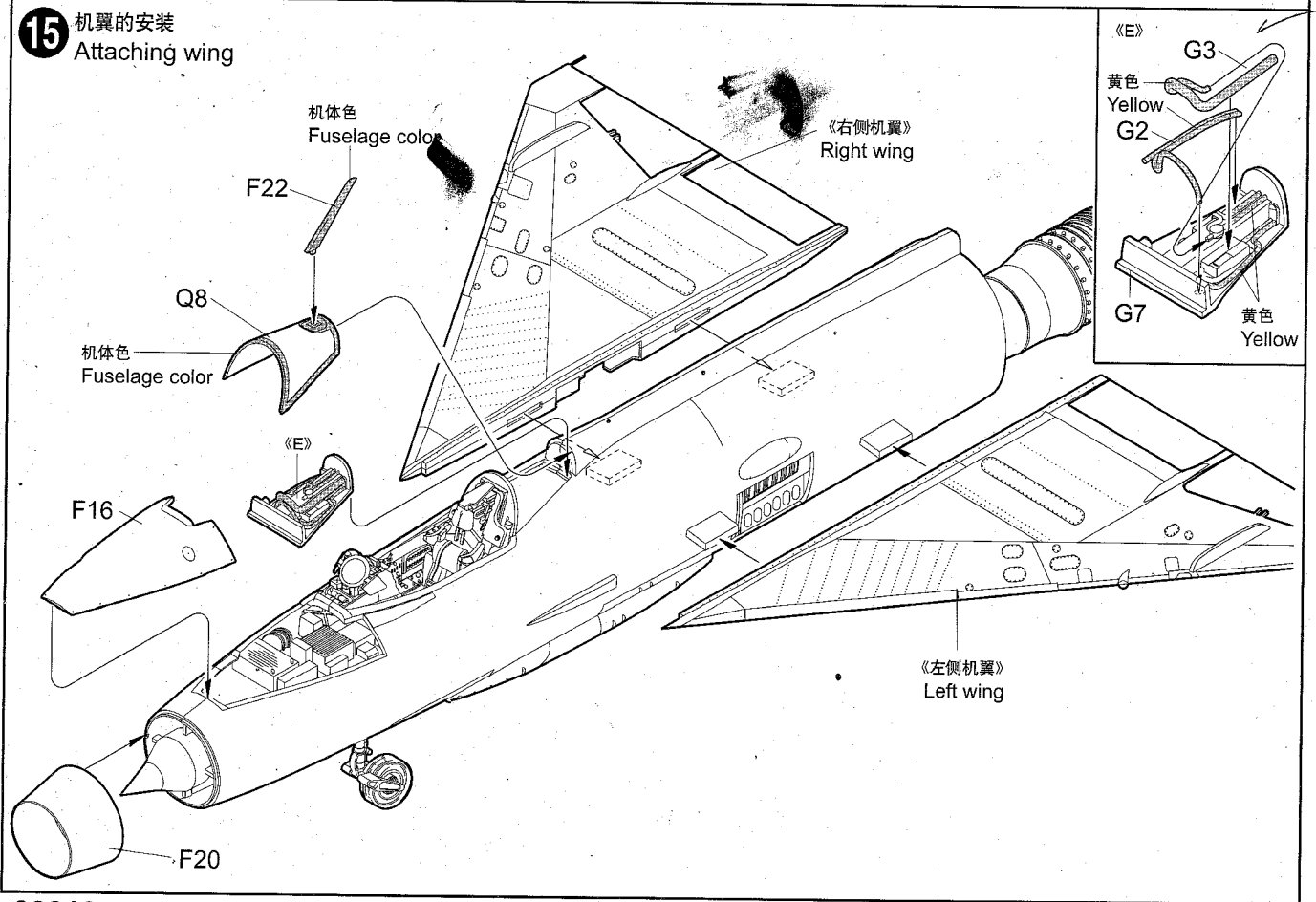
13 左侧机翼组装
Left wing assembly



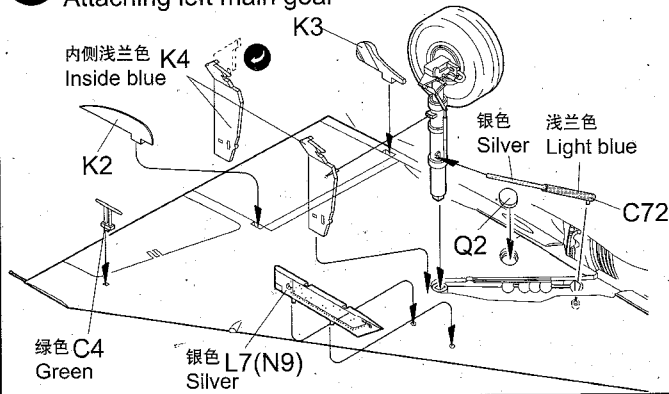
14 右侧机翼组装
Right wing assembly



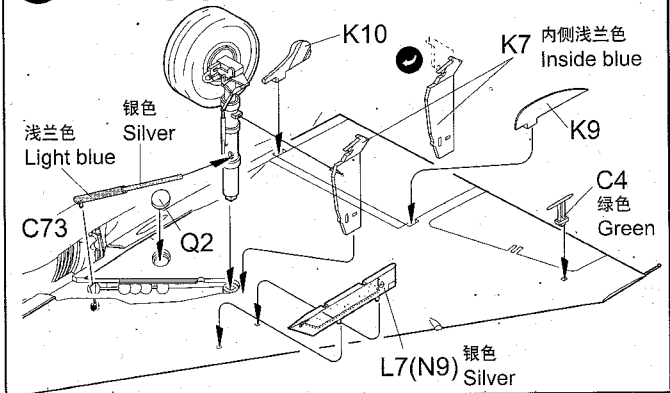
15 机翼的安装
Attaching wing



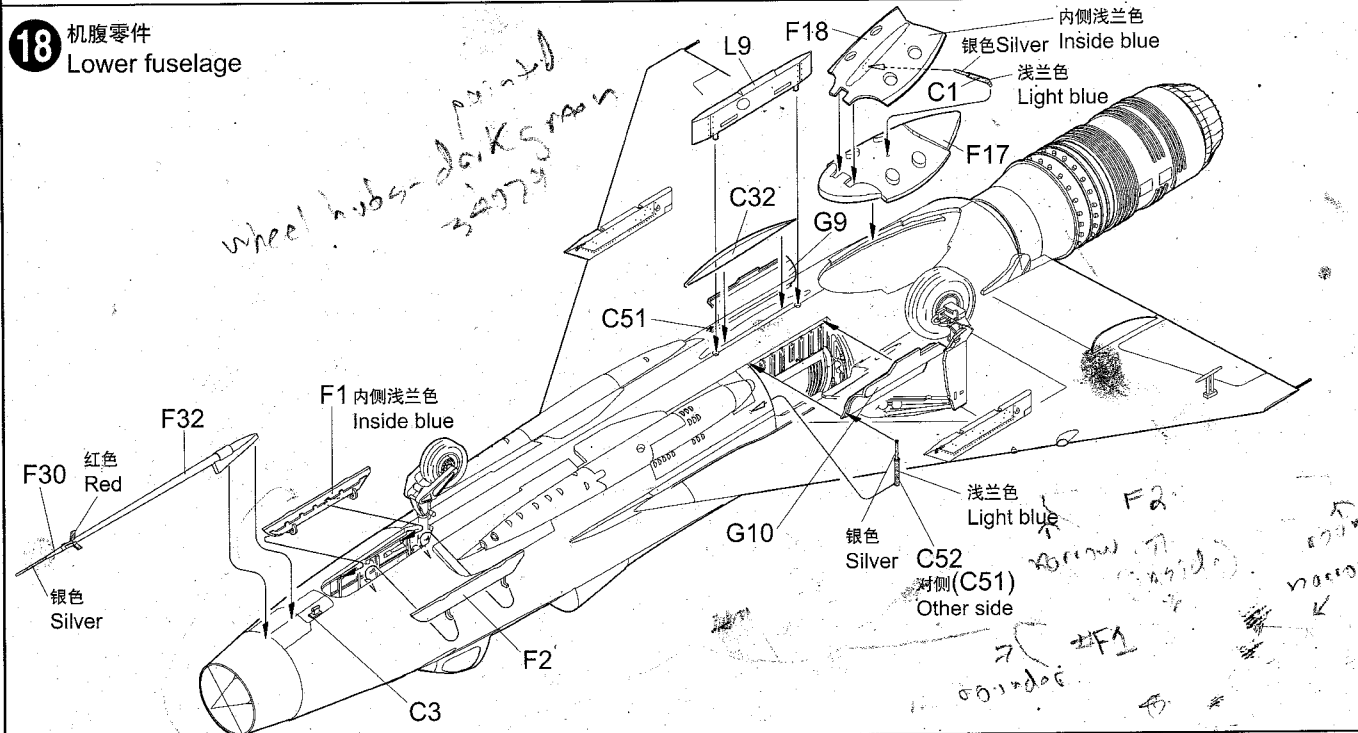
16 左侧主起落架安装
Attaching left main gear



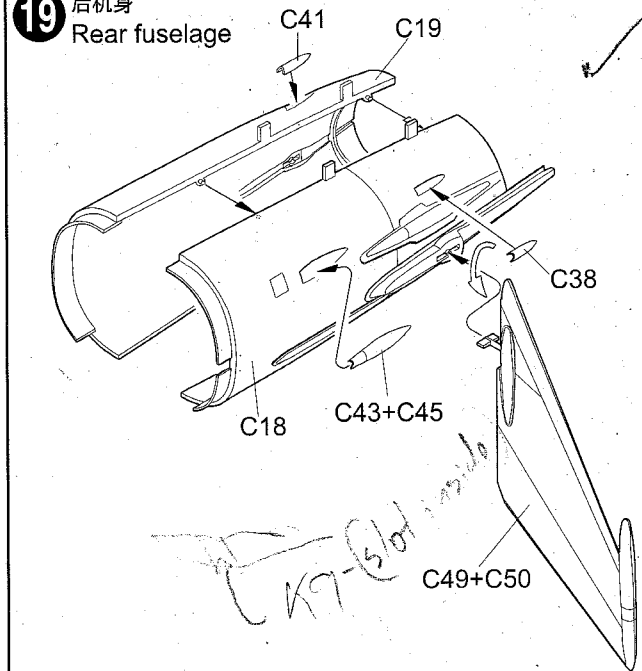
17 右侧主起落架安装
Attaching right main gear



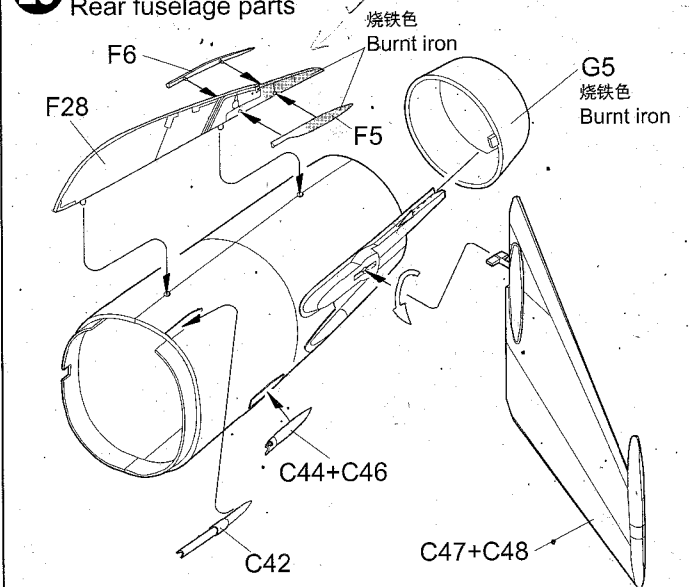
18 机腹零件
Lower fuselage



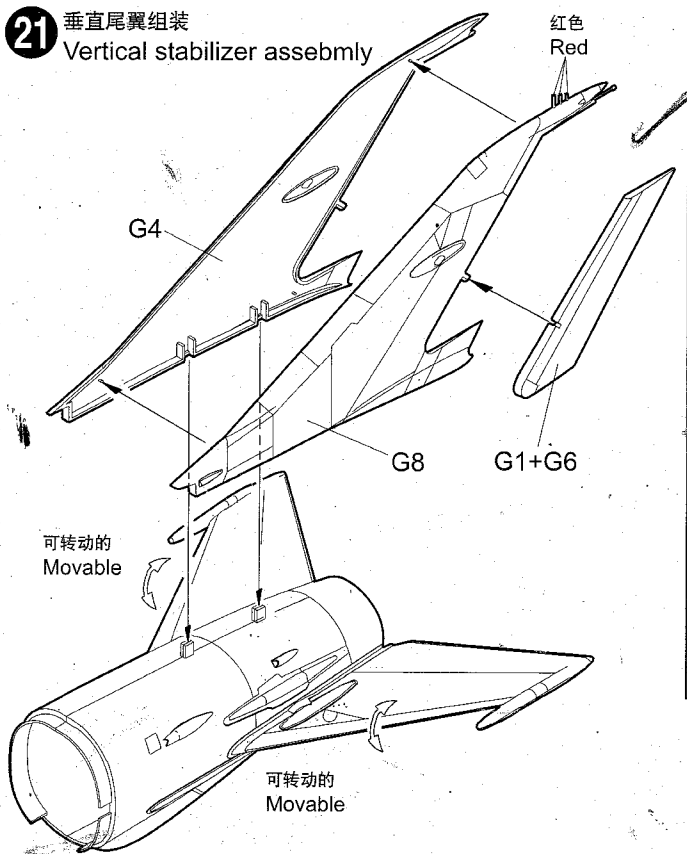
19 后机身
Rear fuselage



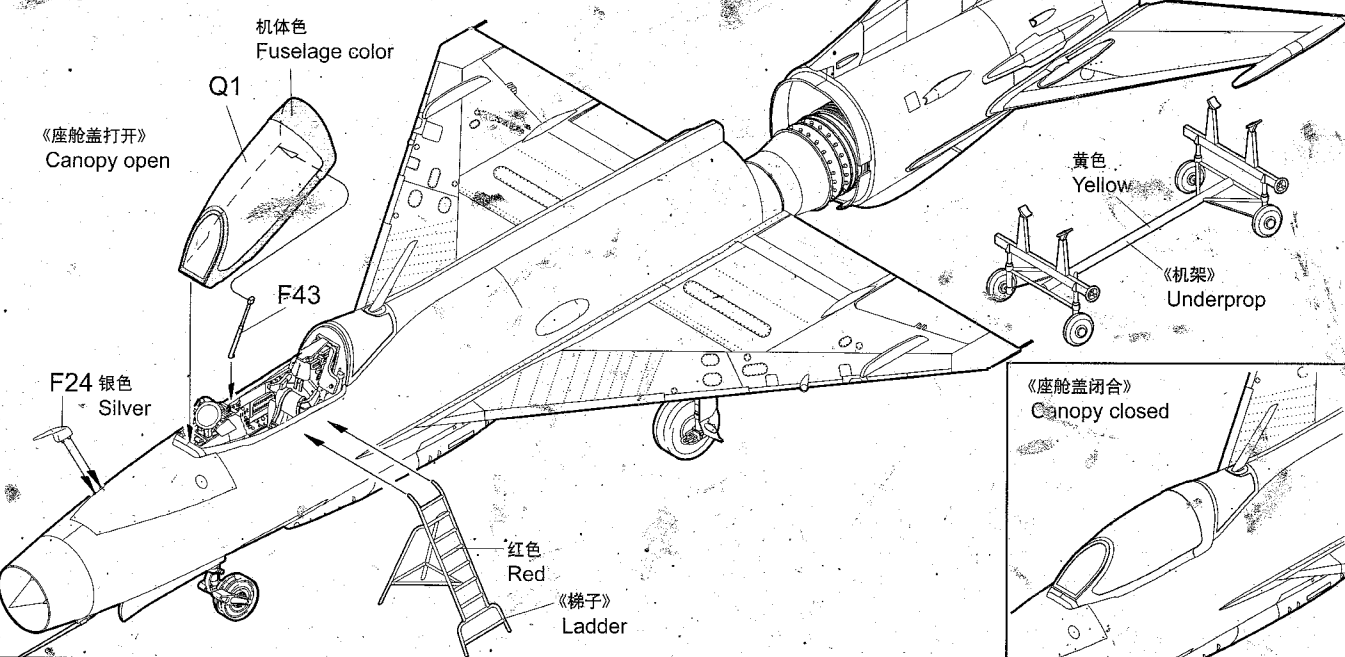
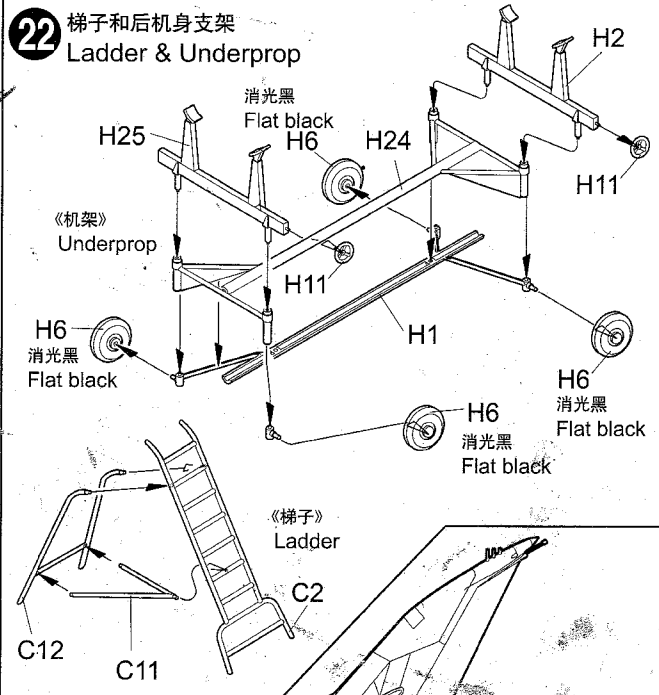
20 机腹后部零件
Rear fuselage parts



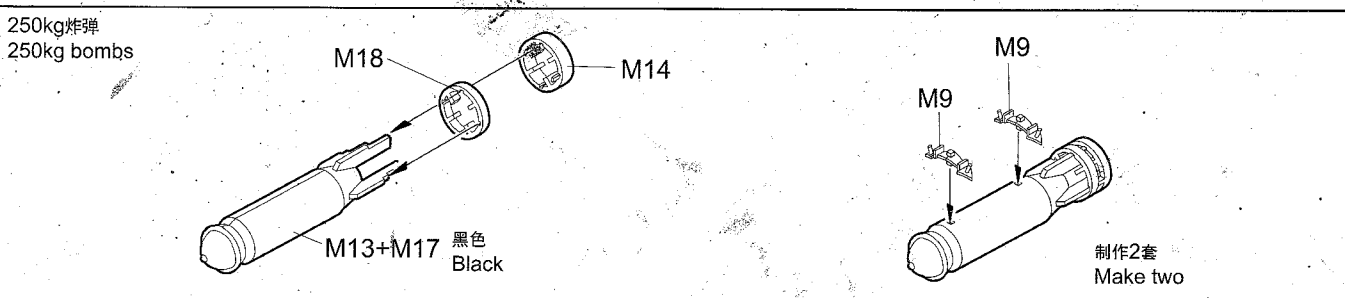
21 垂直尾翼组装
Vertical stabilizer assembly



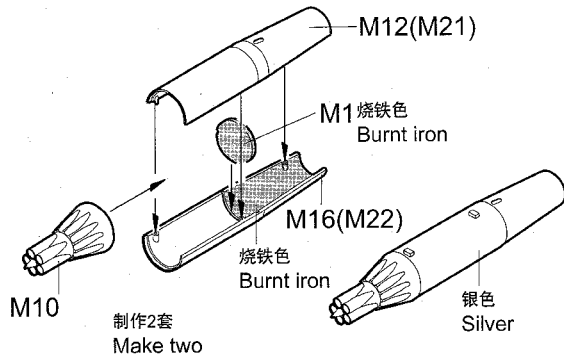
22 梯子和后机身支架
Ladder & Underprop



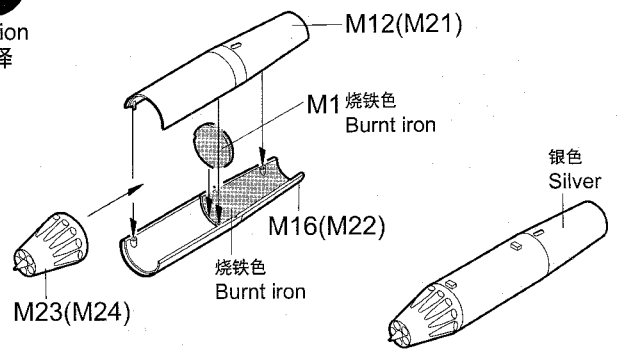
23 外挂
External stores



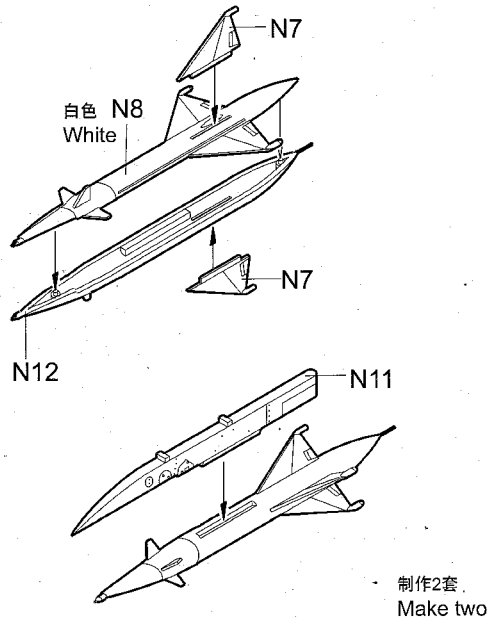
UB-16火箭弹
UB-16 rocket pods



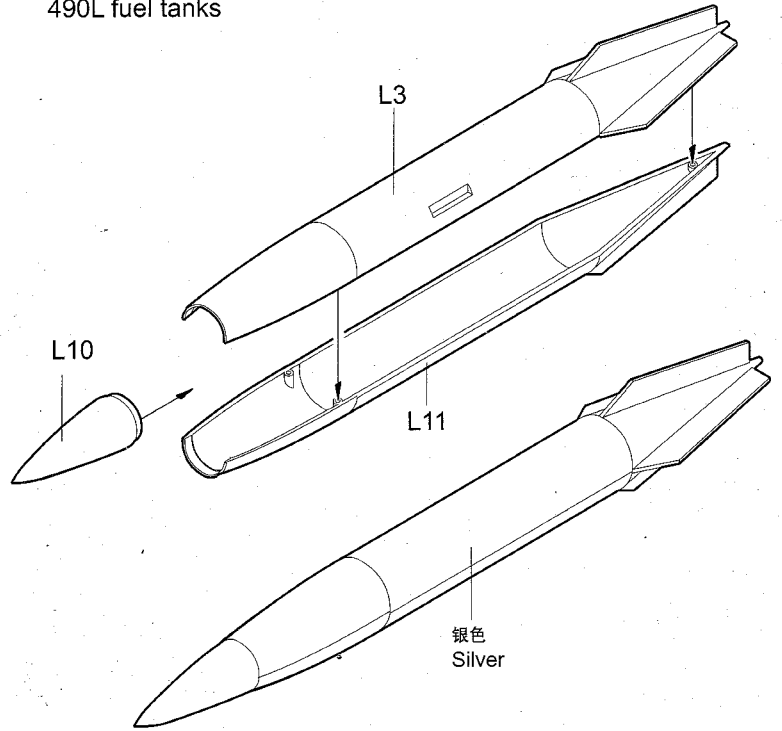
option
选择



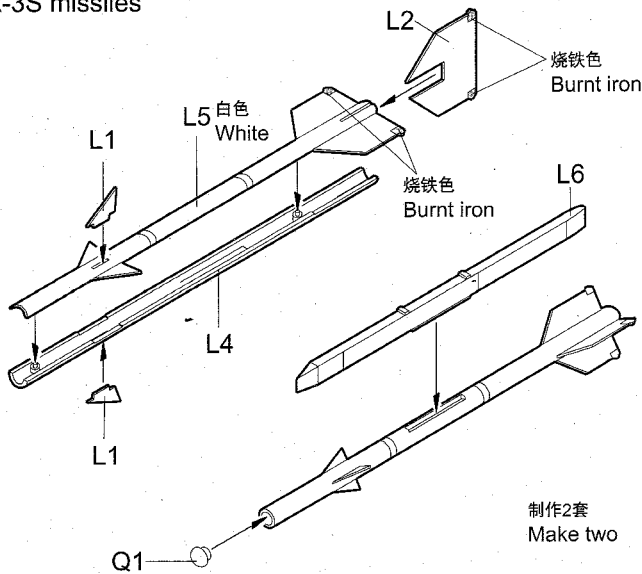
RS-2US导弹
RS-2US missiles



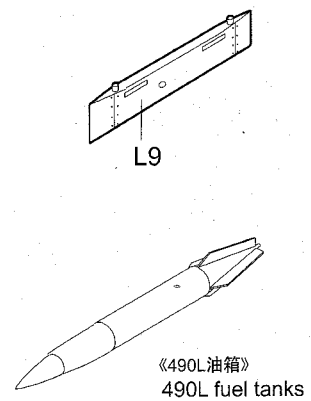
490L油箱
490L fuel tanks



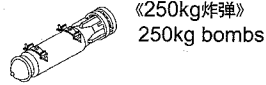
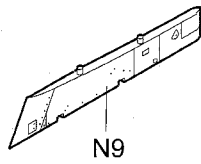
R-3S导弹
R-3S missiles



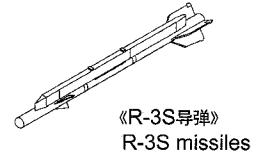
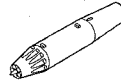
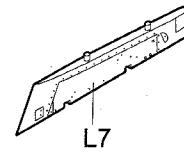
机腹挂架
Centerline pylon



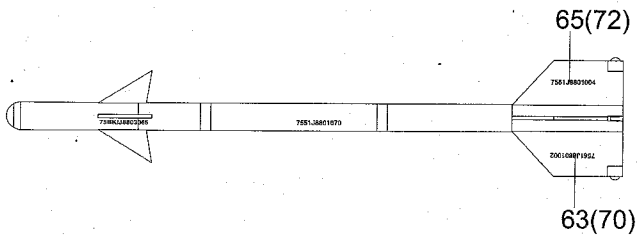
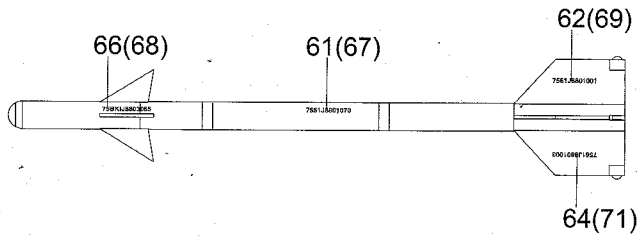
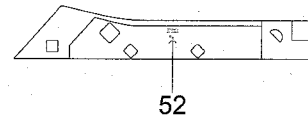
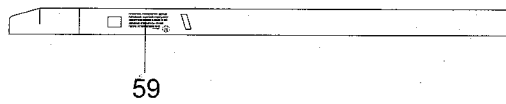
翼下挂架
Wing pylons



翼下挂架
Wing pylons

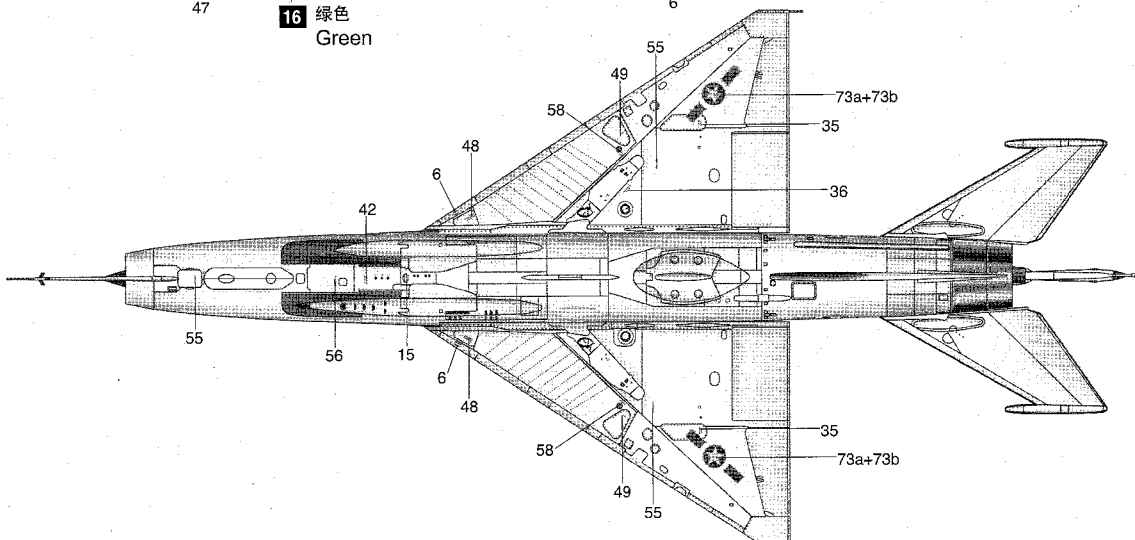
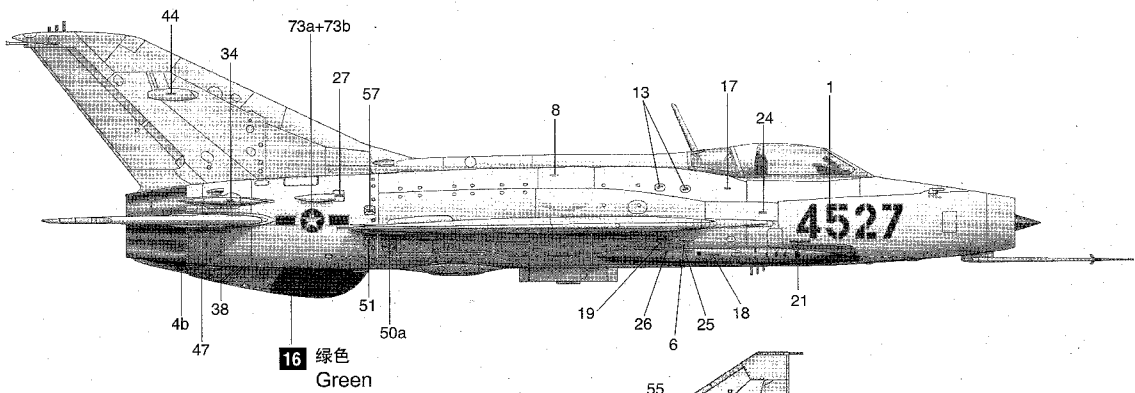
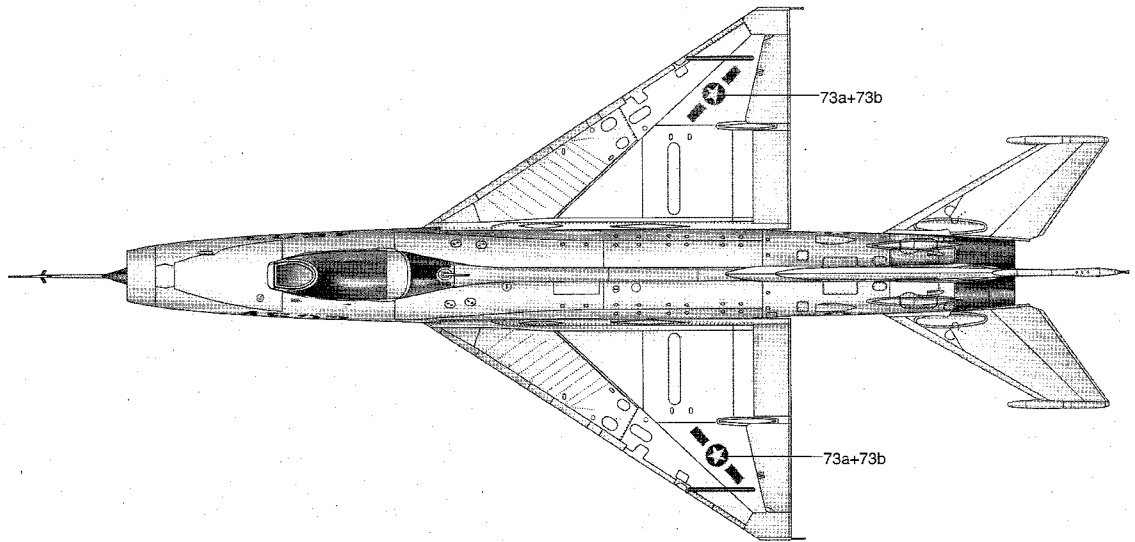
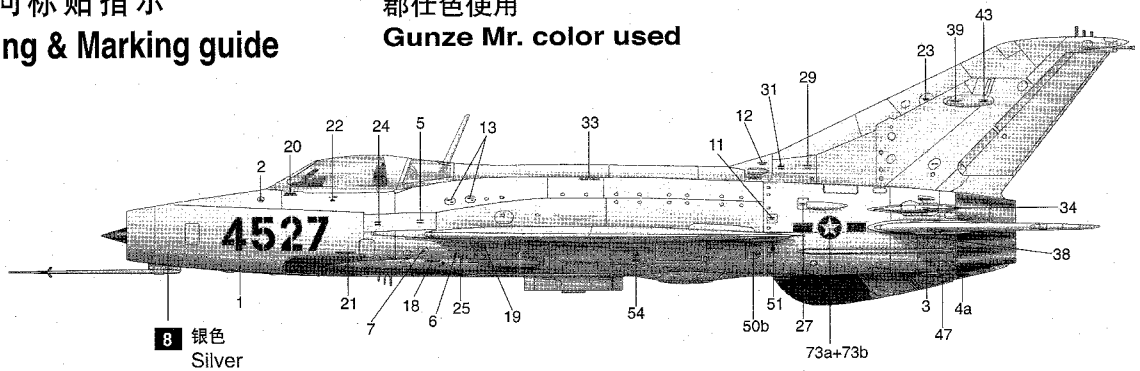


APPLYING DECALS



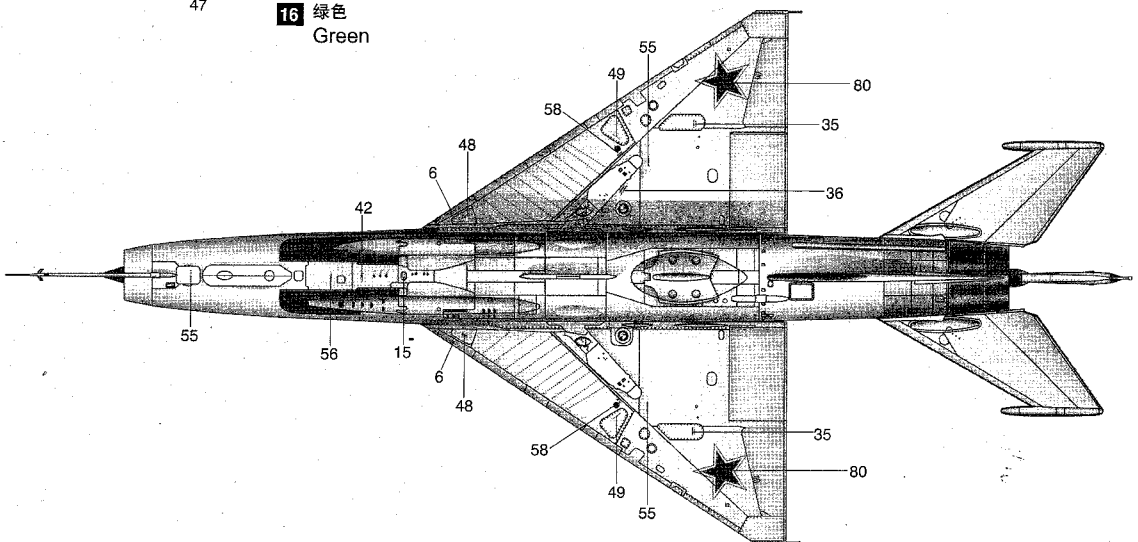
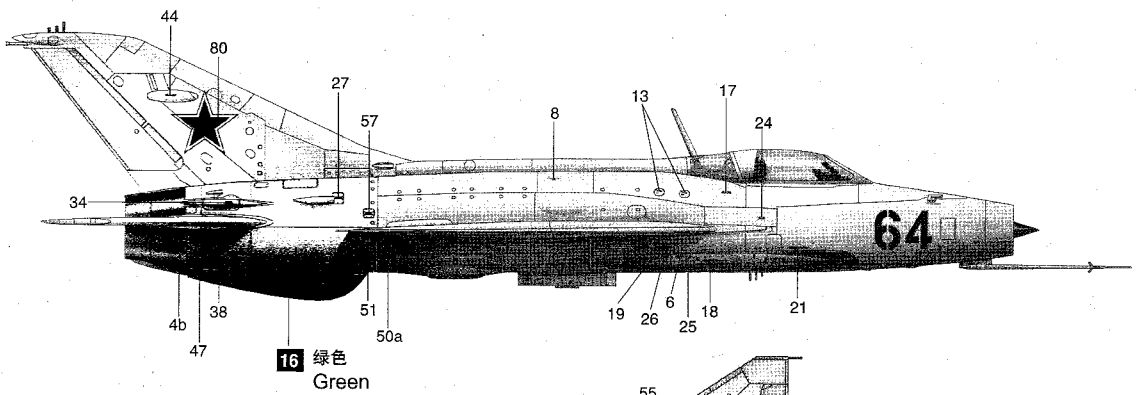
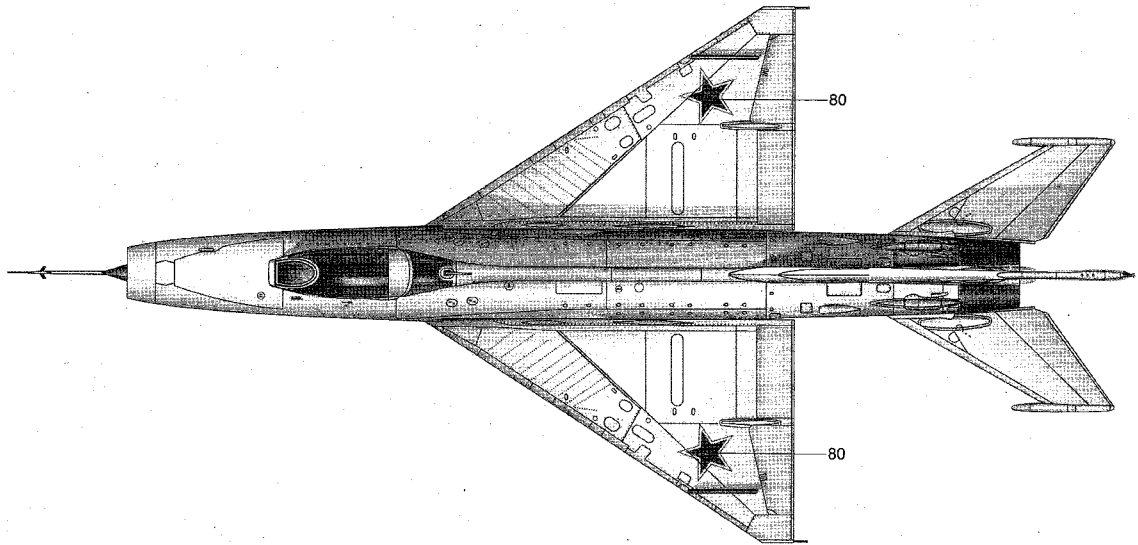
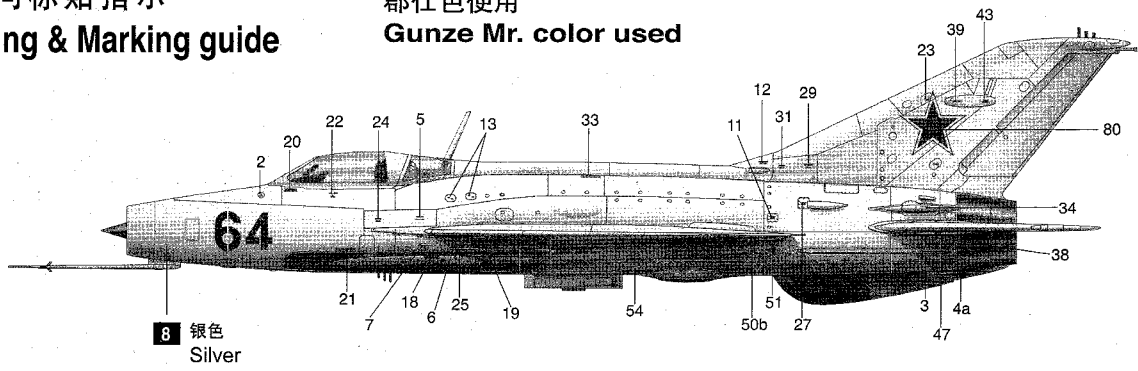
涂装同标贴指示
Painting & Marking guide

郡仕色使用
Gunze Mr. color used



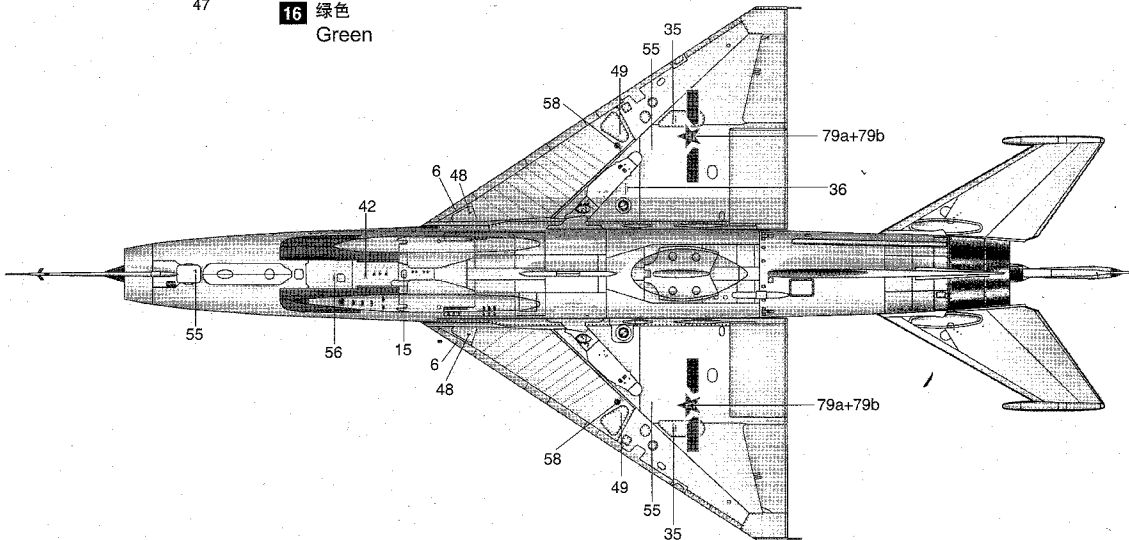
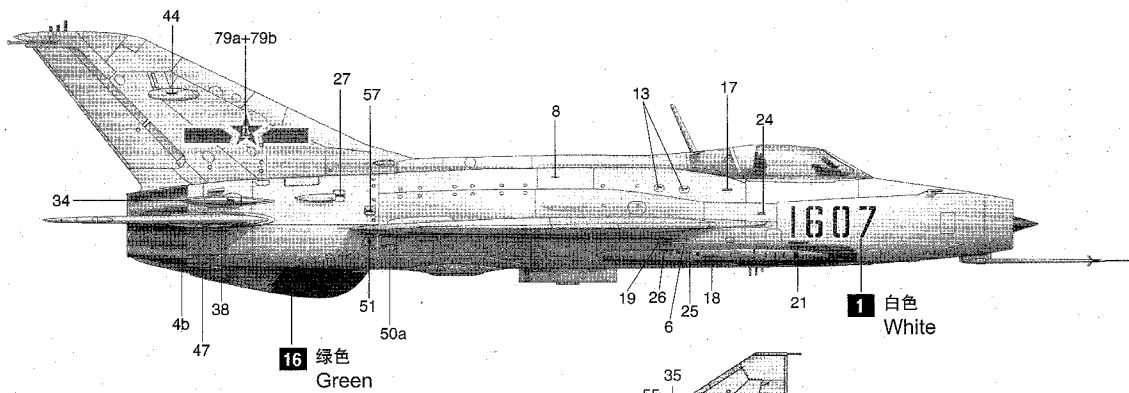
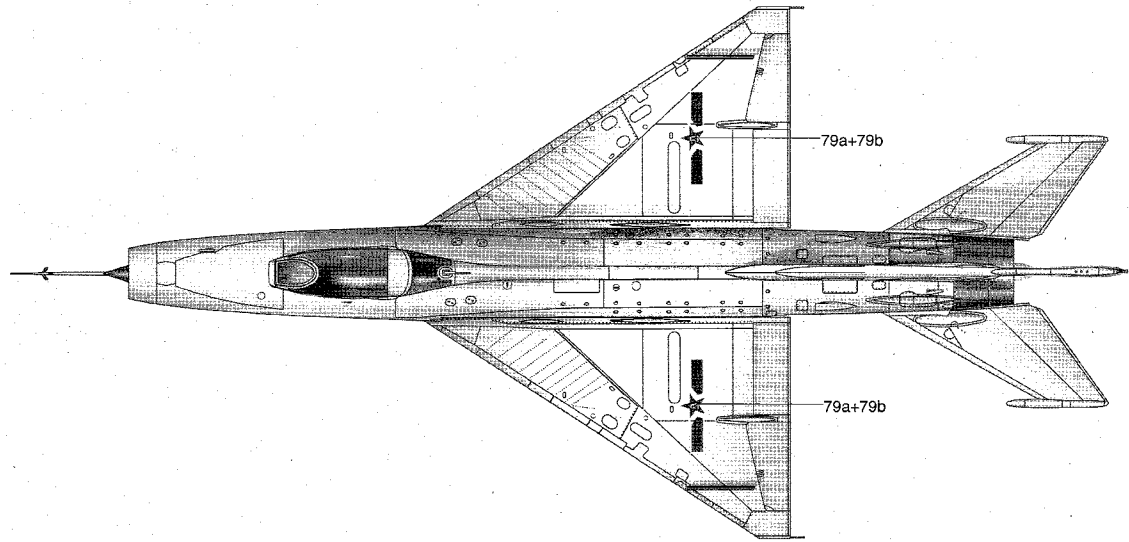
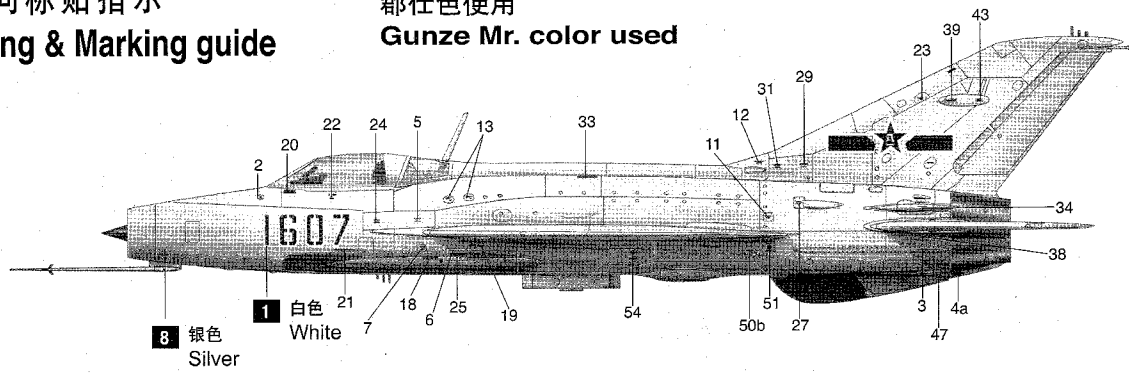
涂装同标贴指示
Painting & Marking guide

郡仕色使用
Gunze Mr. color used



涂装同标贴指示
Painting & Marking guide

郡仕色使用
Gunze Mr. color used



涂装同标贴指示
Painting & Marking guide

郡仕色使用
Gunze Mr. color used

