



Sturmgeschütz III Ausf.G early

DW16001



Vor dem Zusammenbau lesen!

READ BEFORE ASSEMBLY

CAUTION

- Read carefully and fully understand the instructions before commencing assembly. A supervising adult should also read the instructions if a child assembles the model.
- When assembling this kit, tools including knives used. Extra care should be taken to avoid personal injury.
- Keep out of reach of small children. Children must not be allowed to suck any part, or pull vinyl bag over their heads.



Optional



Instant Glue
for Metal



Do Not Cement



Be Careful

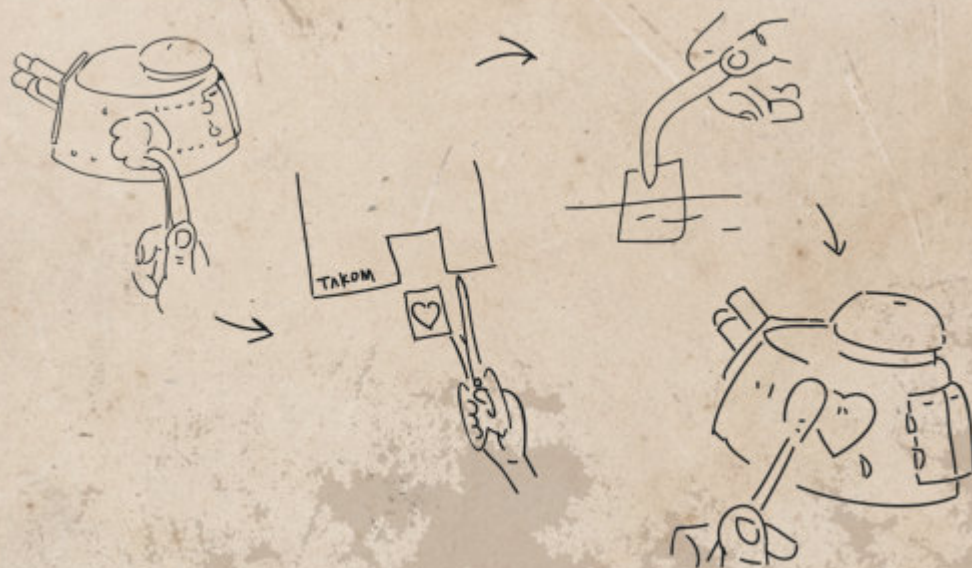
PAINTS REQUIRED

Color info and profiles by Mig Jimenez

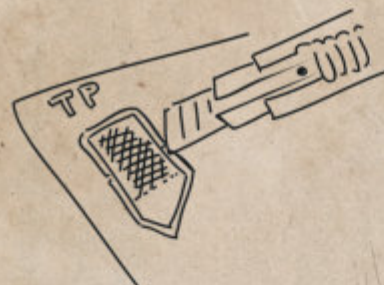
A.MIG-9031 Dark Tracks	A.MIG-9033 Rubber & Tires	A.MIG-9045 Gun Metal	A.MIG-9098 Old Wood
A.MIG-9032 Satin Black	A.MIG-9096 Crystal Periscope Green	A.MIG-9010 RAL 7028 Dunkelgelb (Mid War)	A.MIG-9037 New Wood
A.MIG-9034 Light Wood	A.MIG-9001 RAL 6003 Olivgrun Opt.1	A.MIG-9002 RAL 6003 Olivgrun Opt.2	A.MIG-9011 RAL 8017 Schokobraun

APPLYING DECALS

1. Clean the model surface with a wet cloth.
2. Cut out each decal design from sheet, and dip it in tepid water for 15~20 sec.
3. Hold the backing sheet edge and slide decal onto the model.
4. Move decal into position by wetting decal with finger.
5. Press decal gently down with a soft cloth until excess water and air bubbles are gone.



REMOVING PE



Be careful not to hurt when removing PE parts.

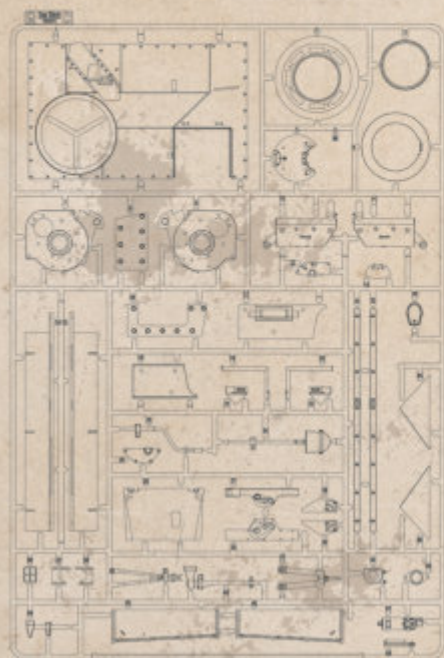
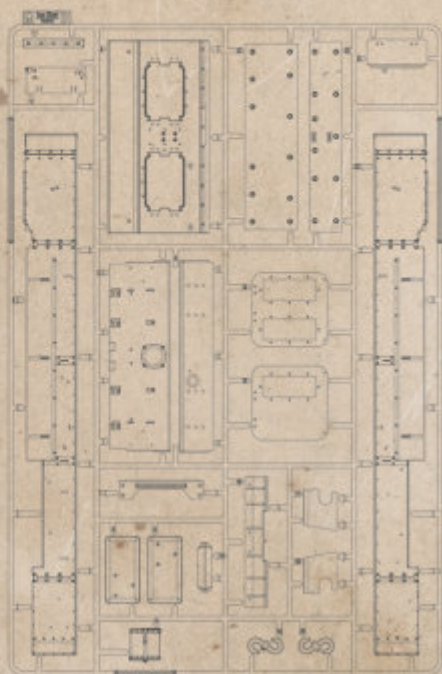
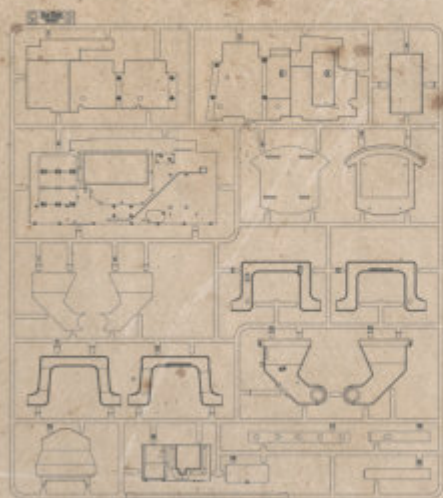


Secure using instant glue (not included).

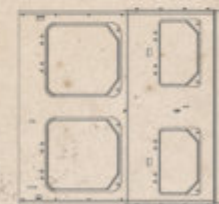


Finish using file.

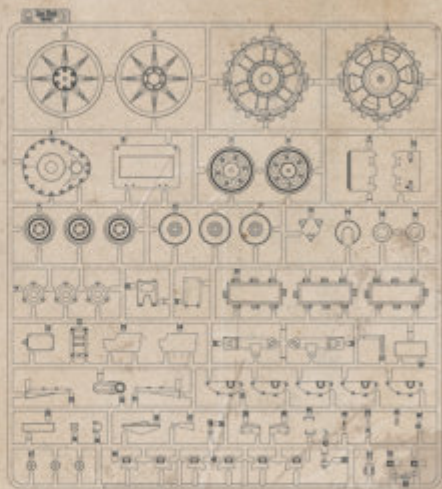
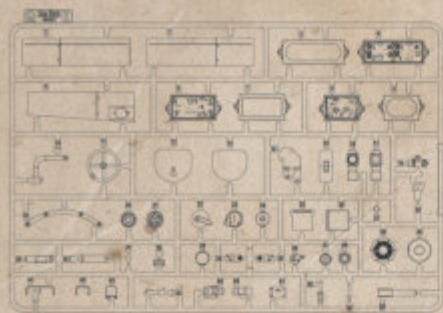
PARTS



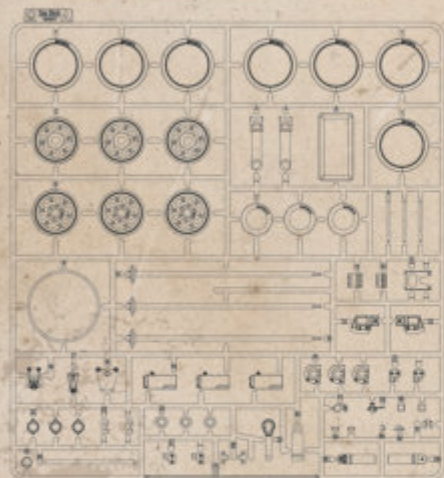
X6



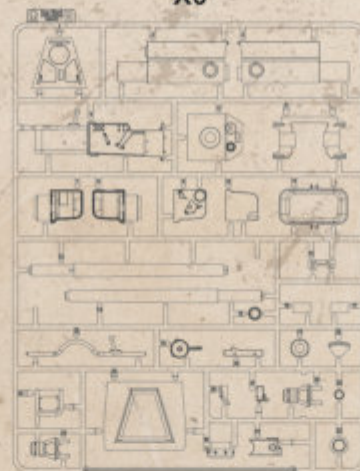
M



X2



X4



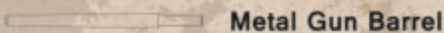
Cable



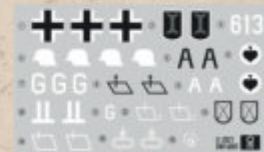
Lower Hull



TP

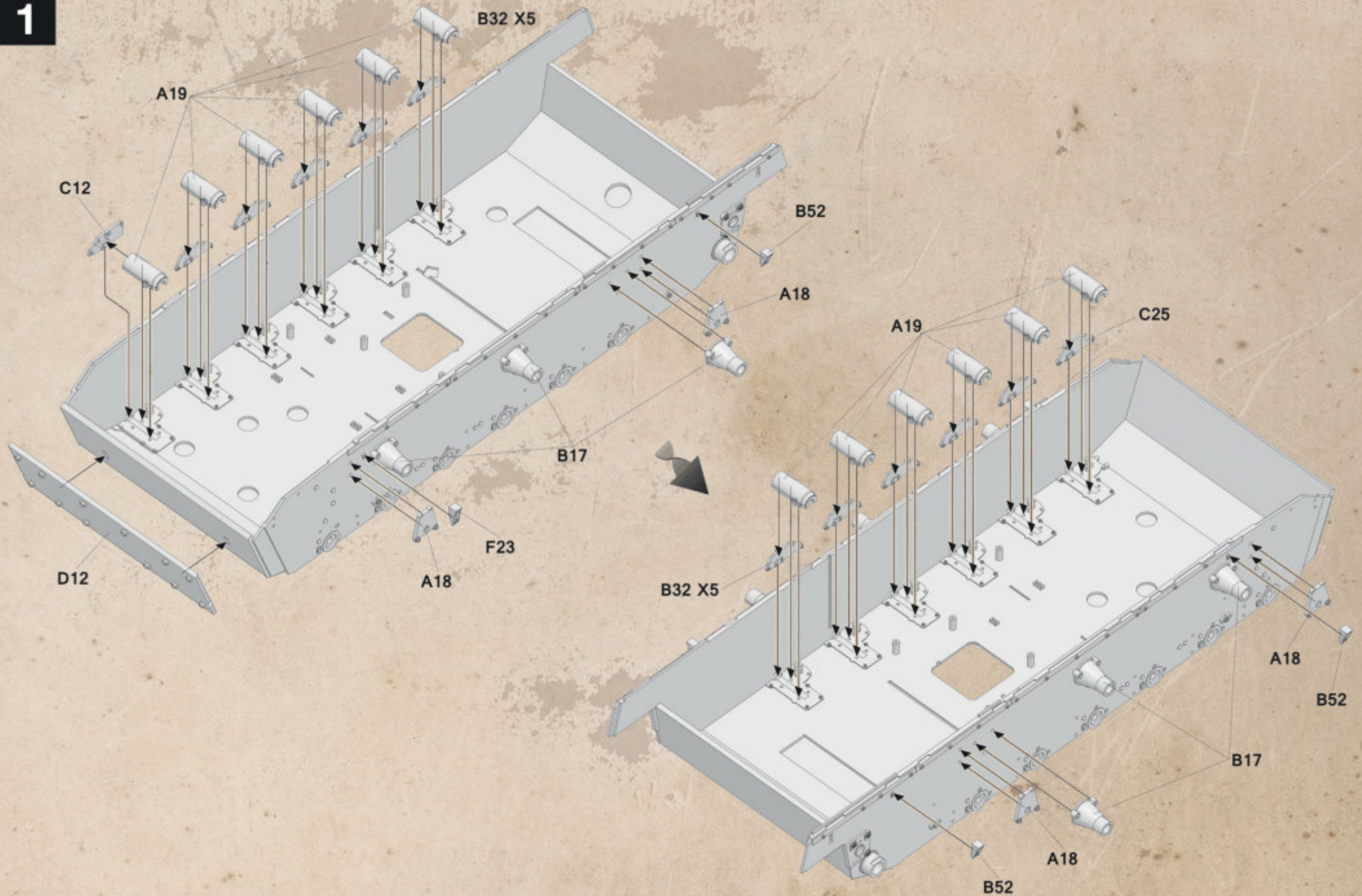


Metal Gun Barrel



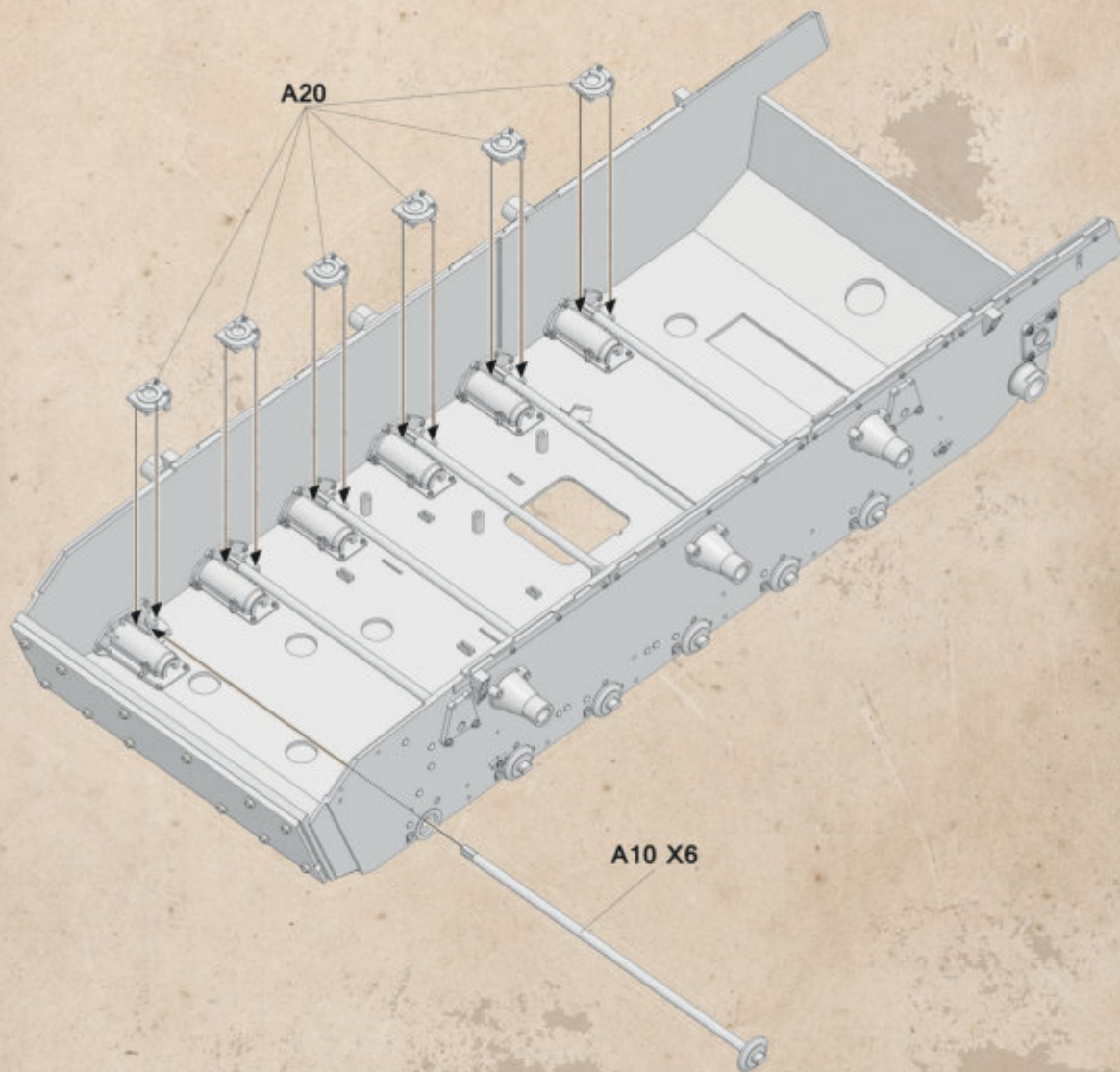
Decal

1

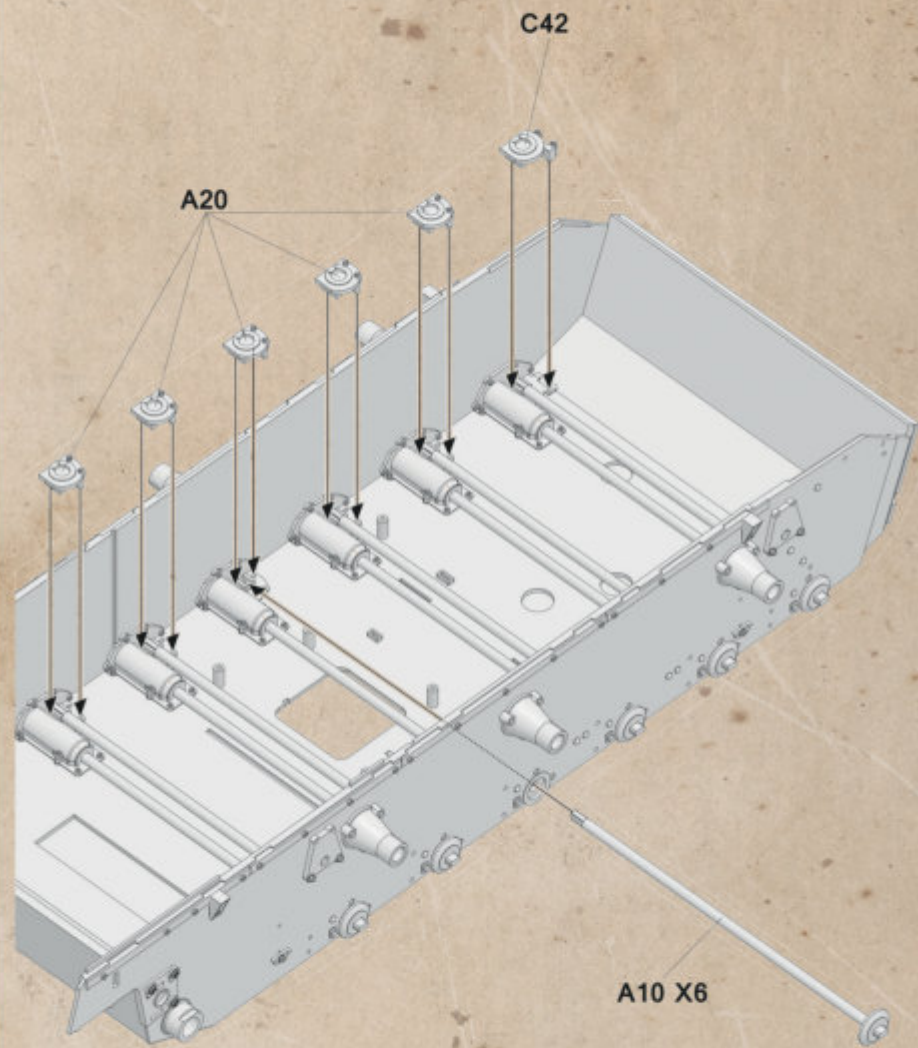


3

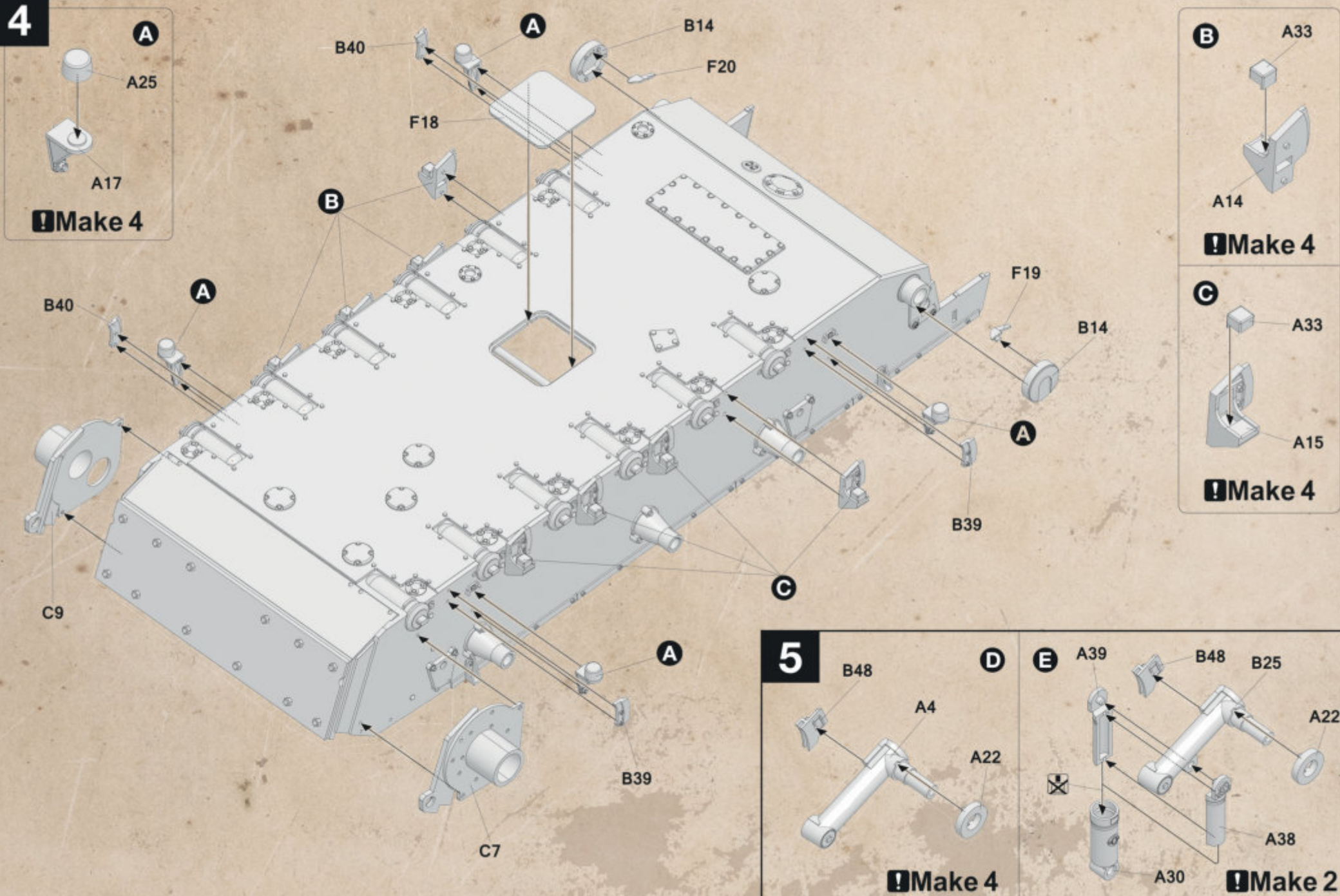
2



3



4



A

A25

A17

Make 4

B

F18

A

B40

B14

F20

A

B40

F19

B14

A

B39

C

C9

C7

A

B39

5

D

E

B48

A4

A22

A39

B48

B25

A22

A38

A30

Make 4

Make 2

B

A33

A14

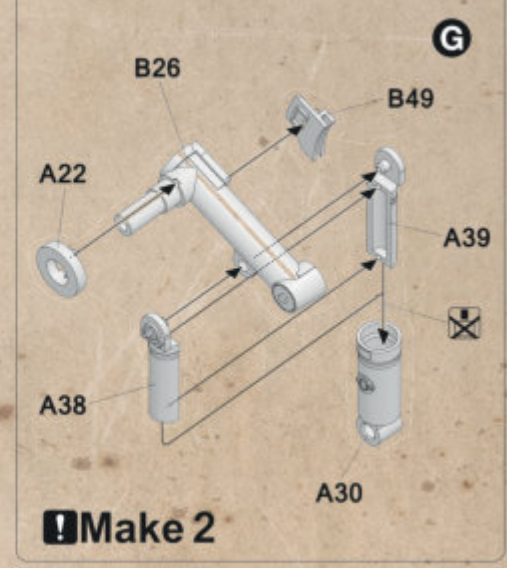
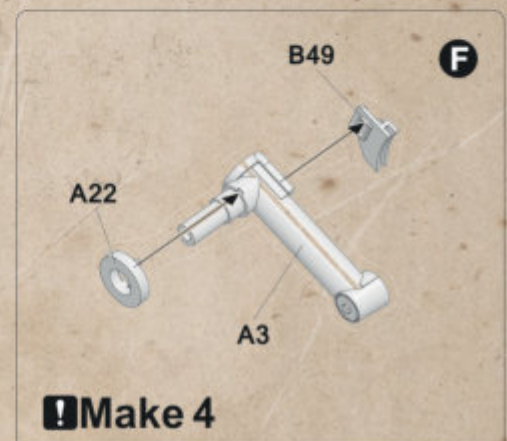
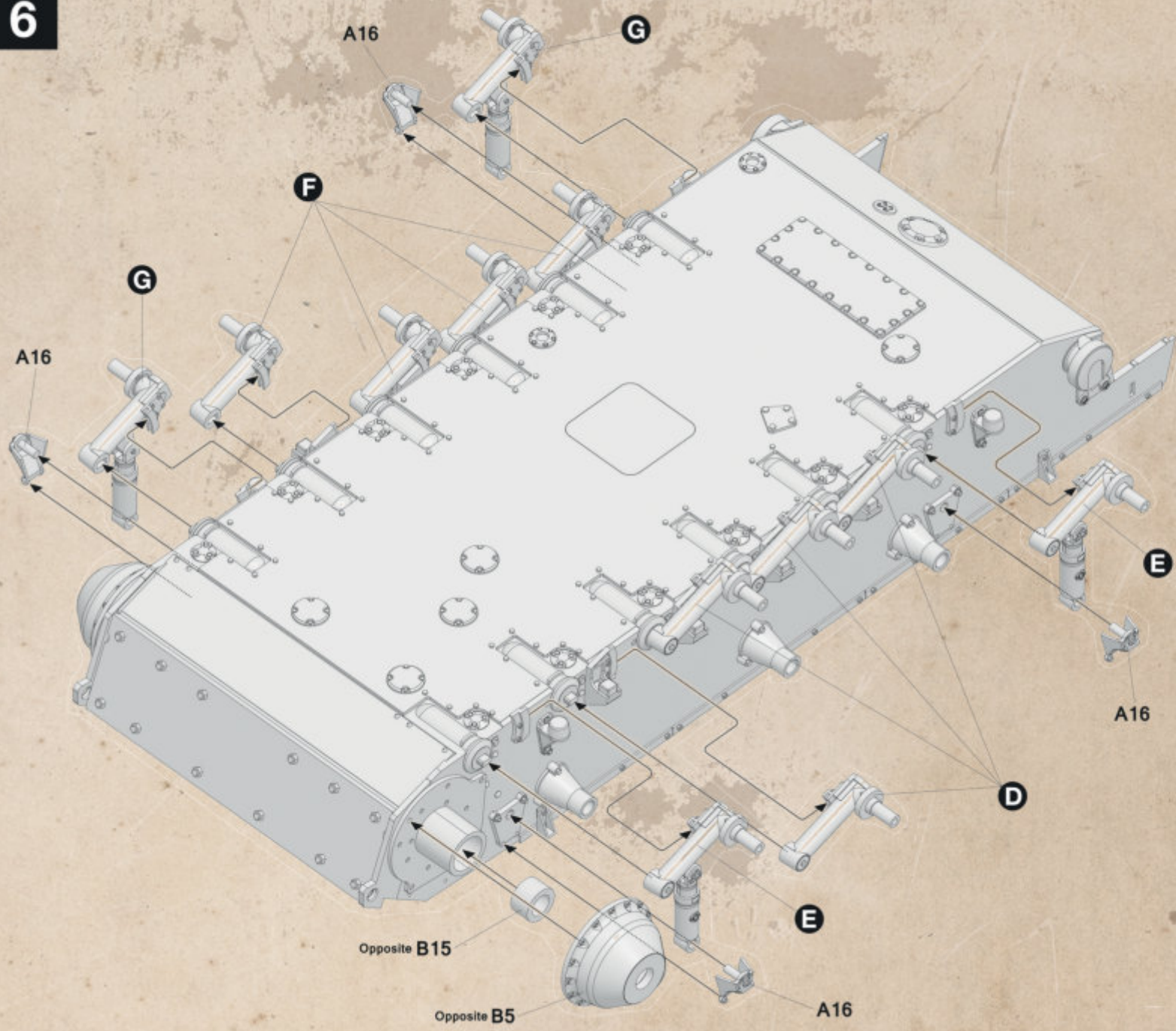
Make 4

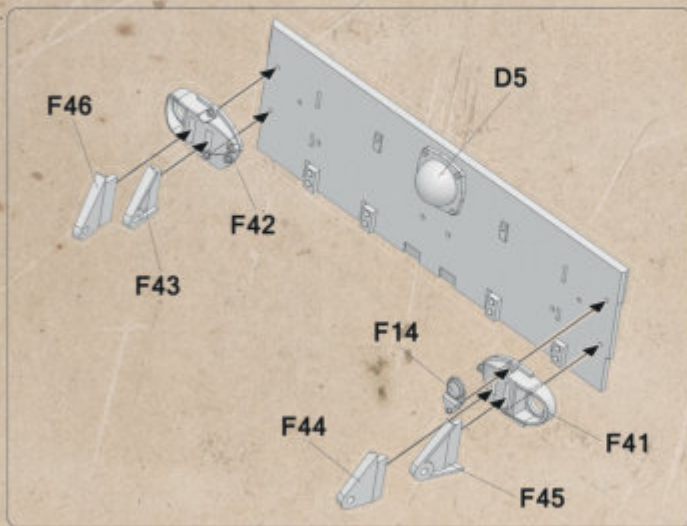
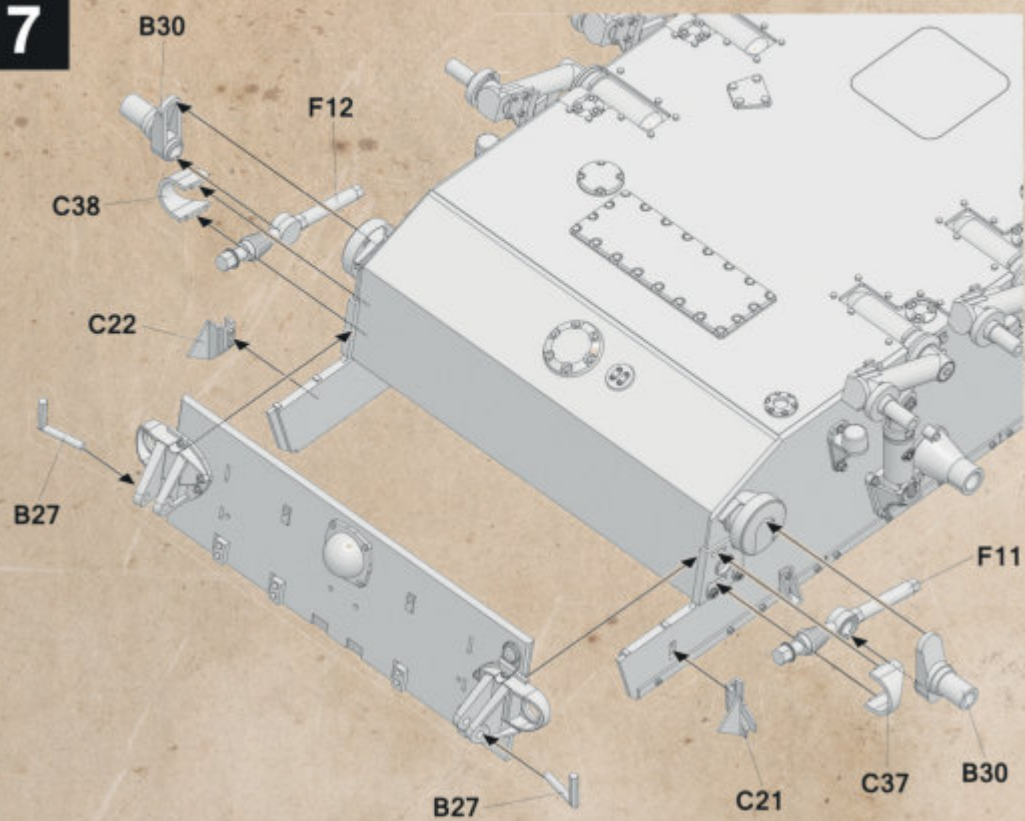
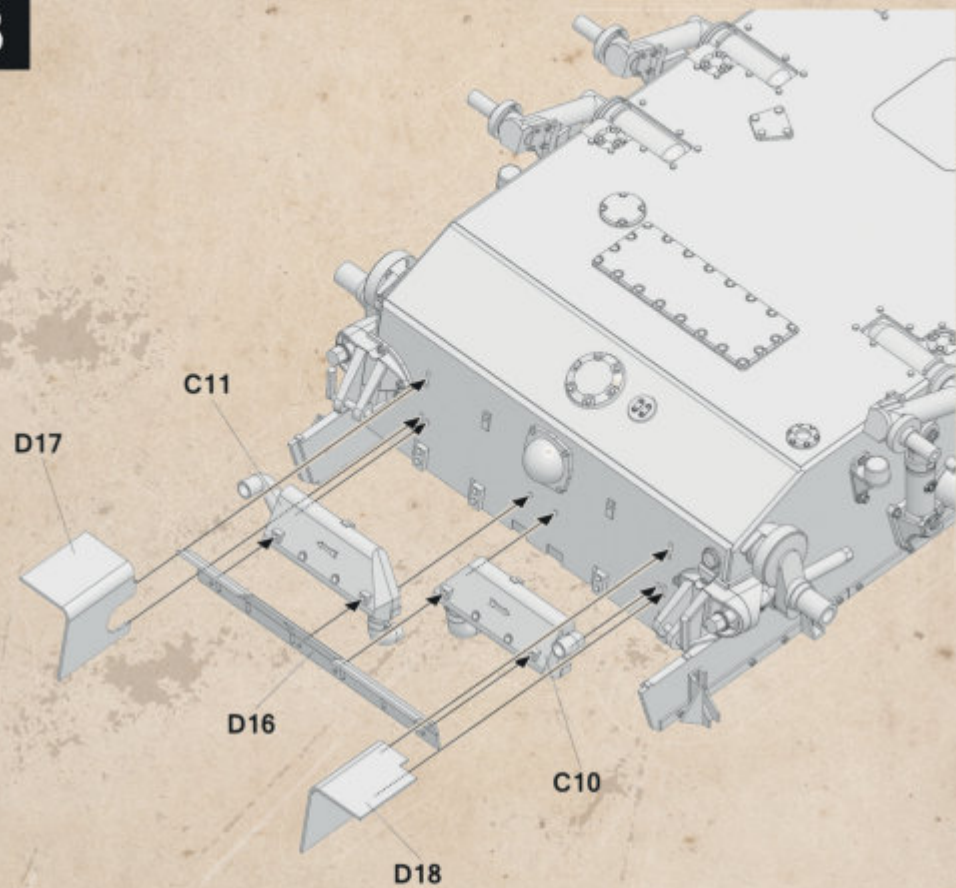
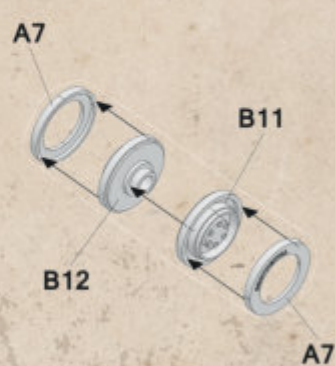
C

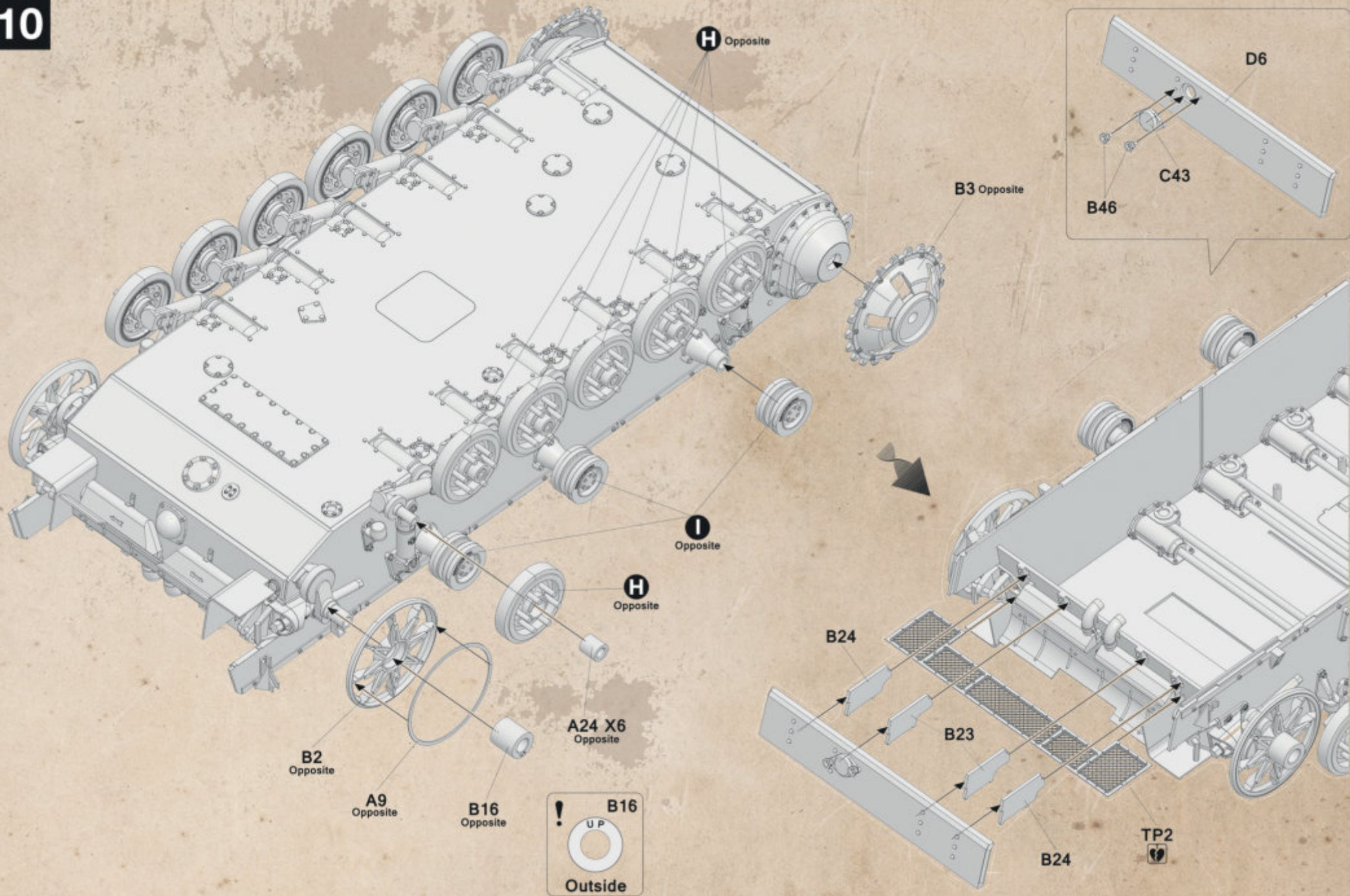
A33

A15

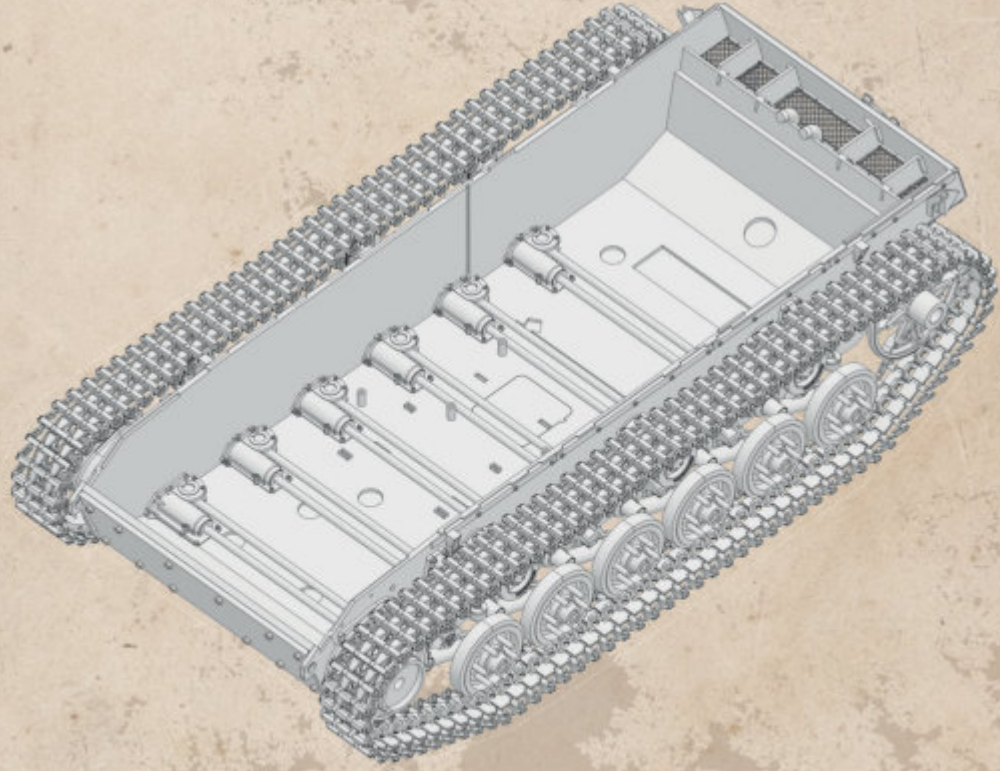
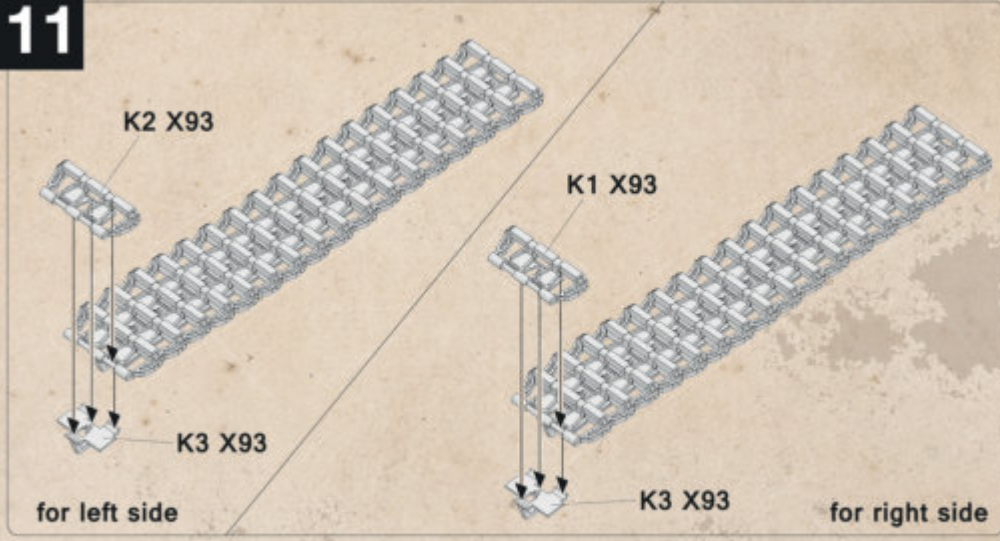
Make 4



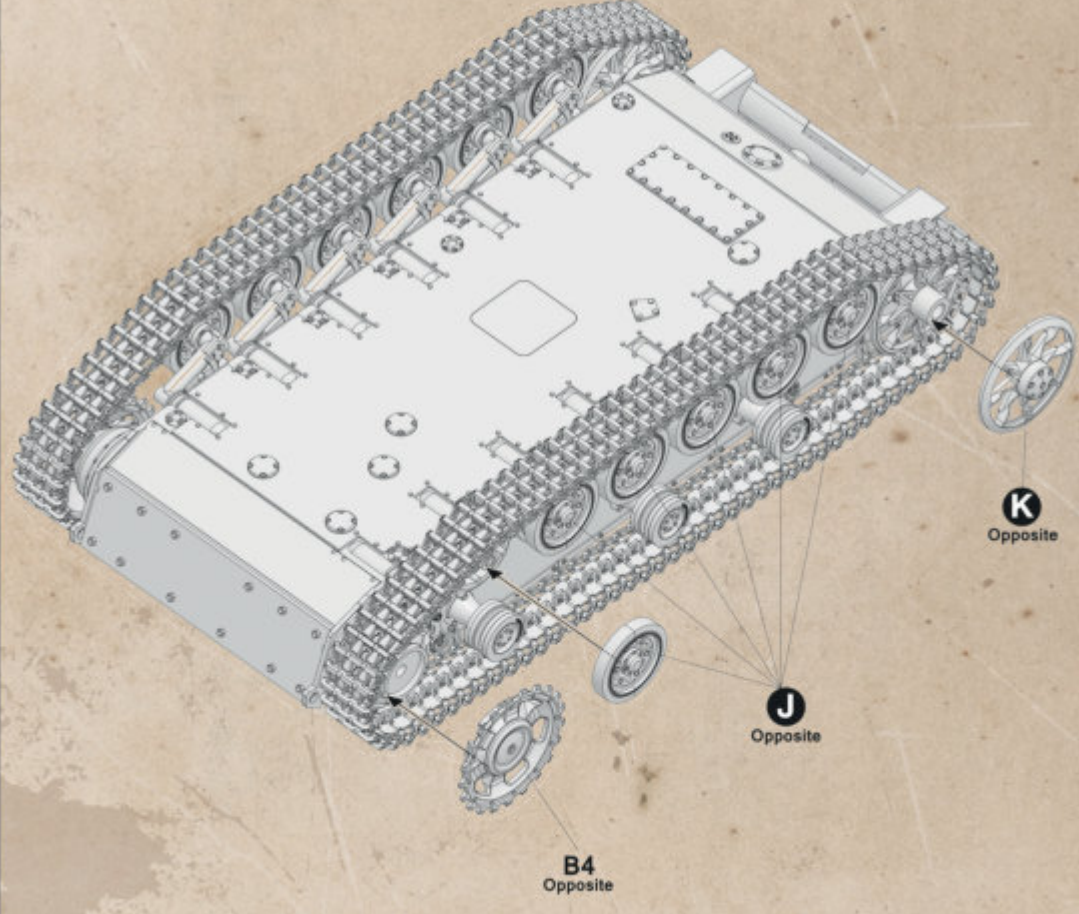
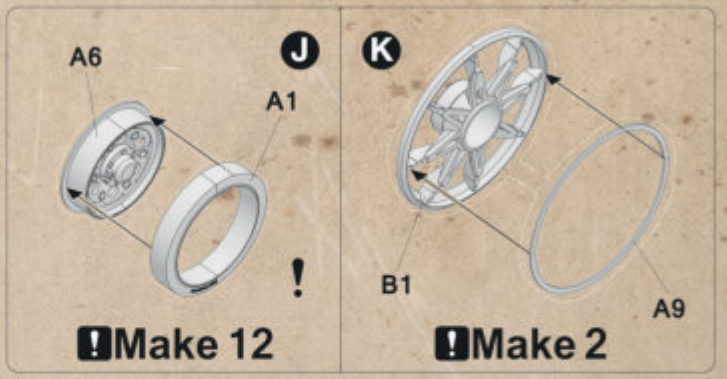
7**8****9****H****! Make 12****I****! Make 6**



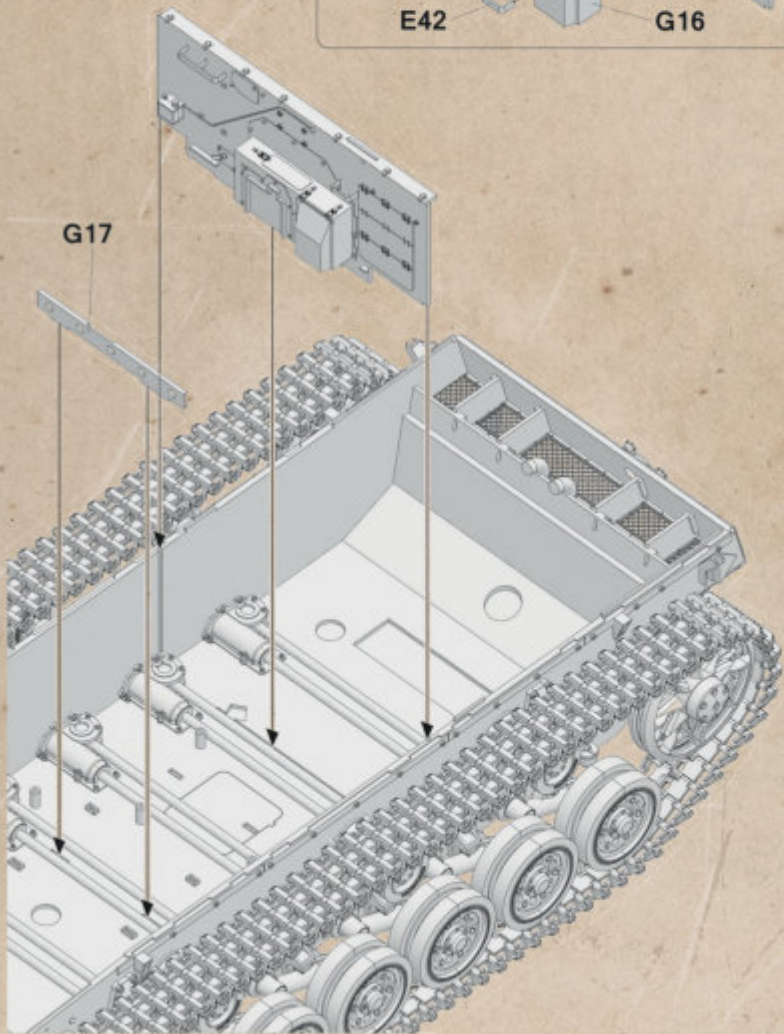
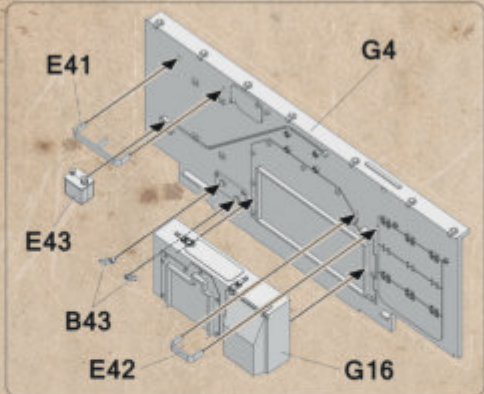
11



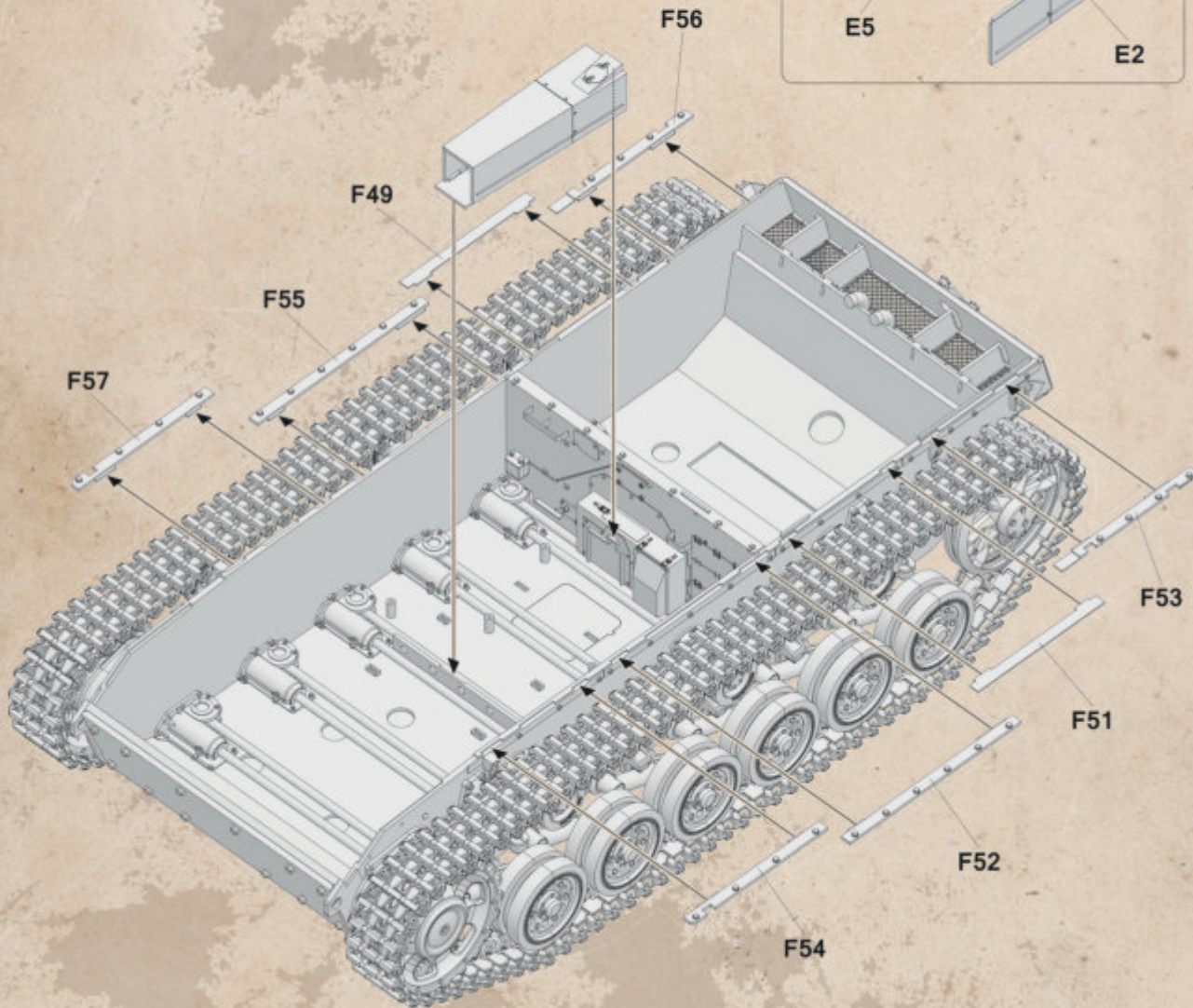
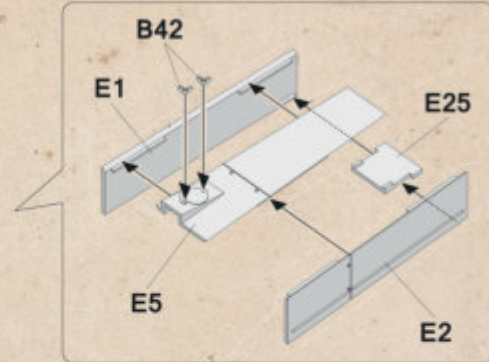
12



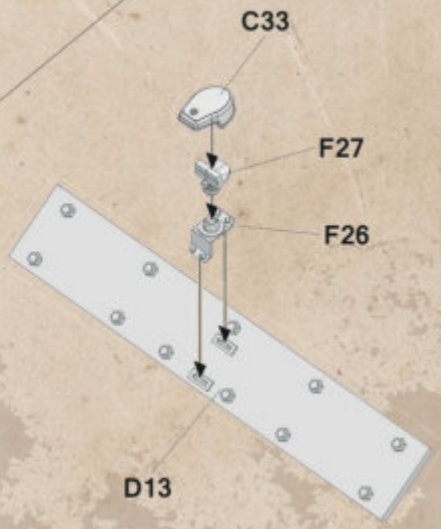
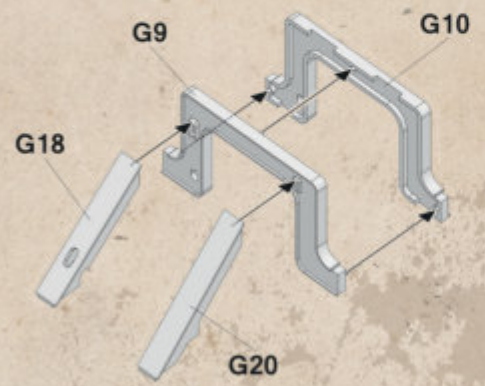
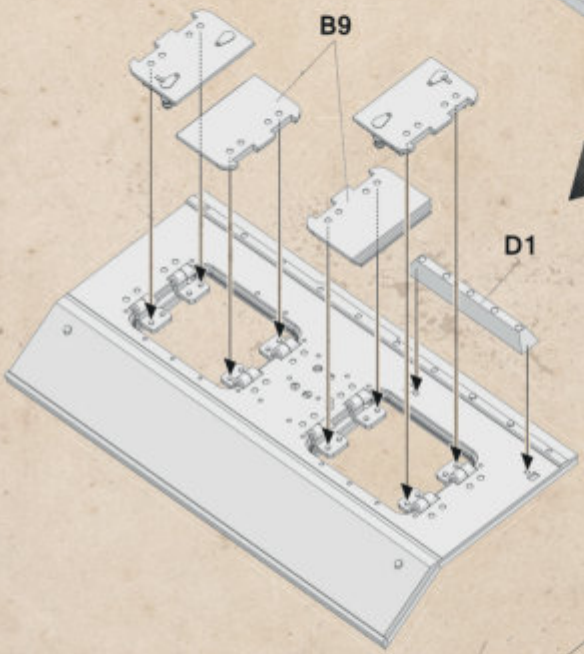
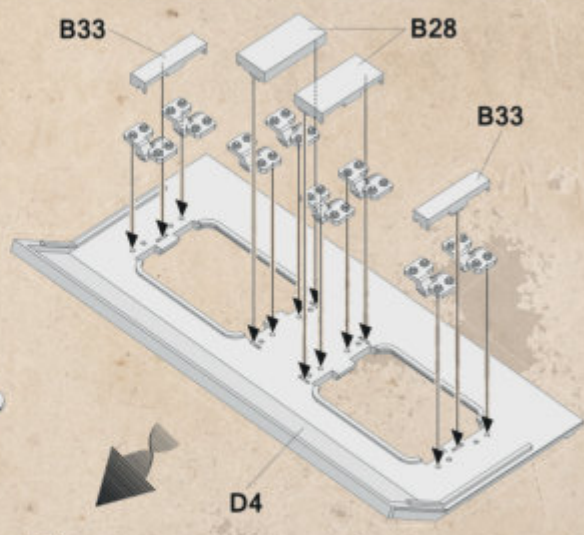
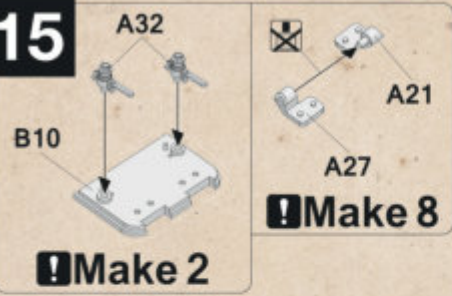
13



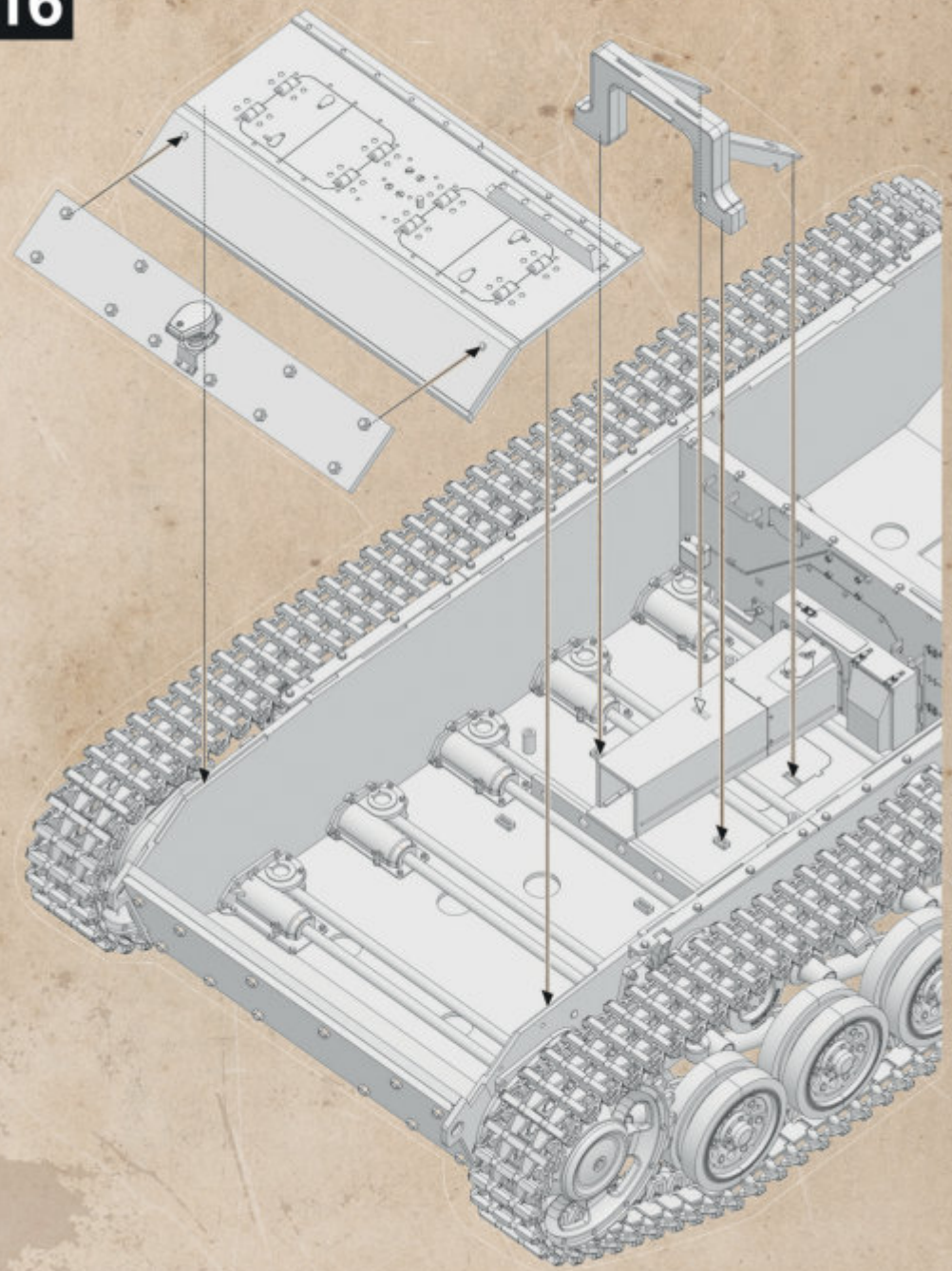
14



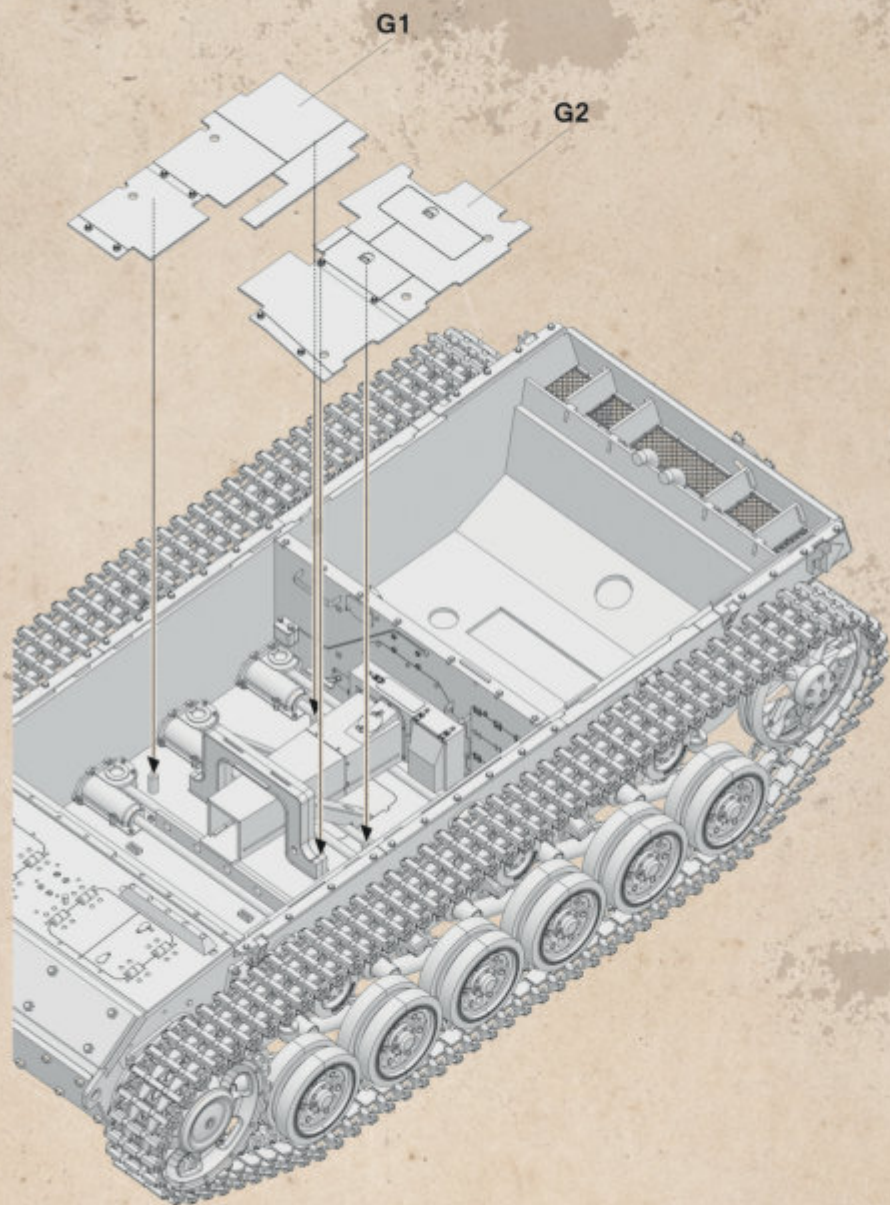
15



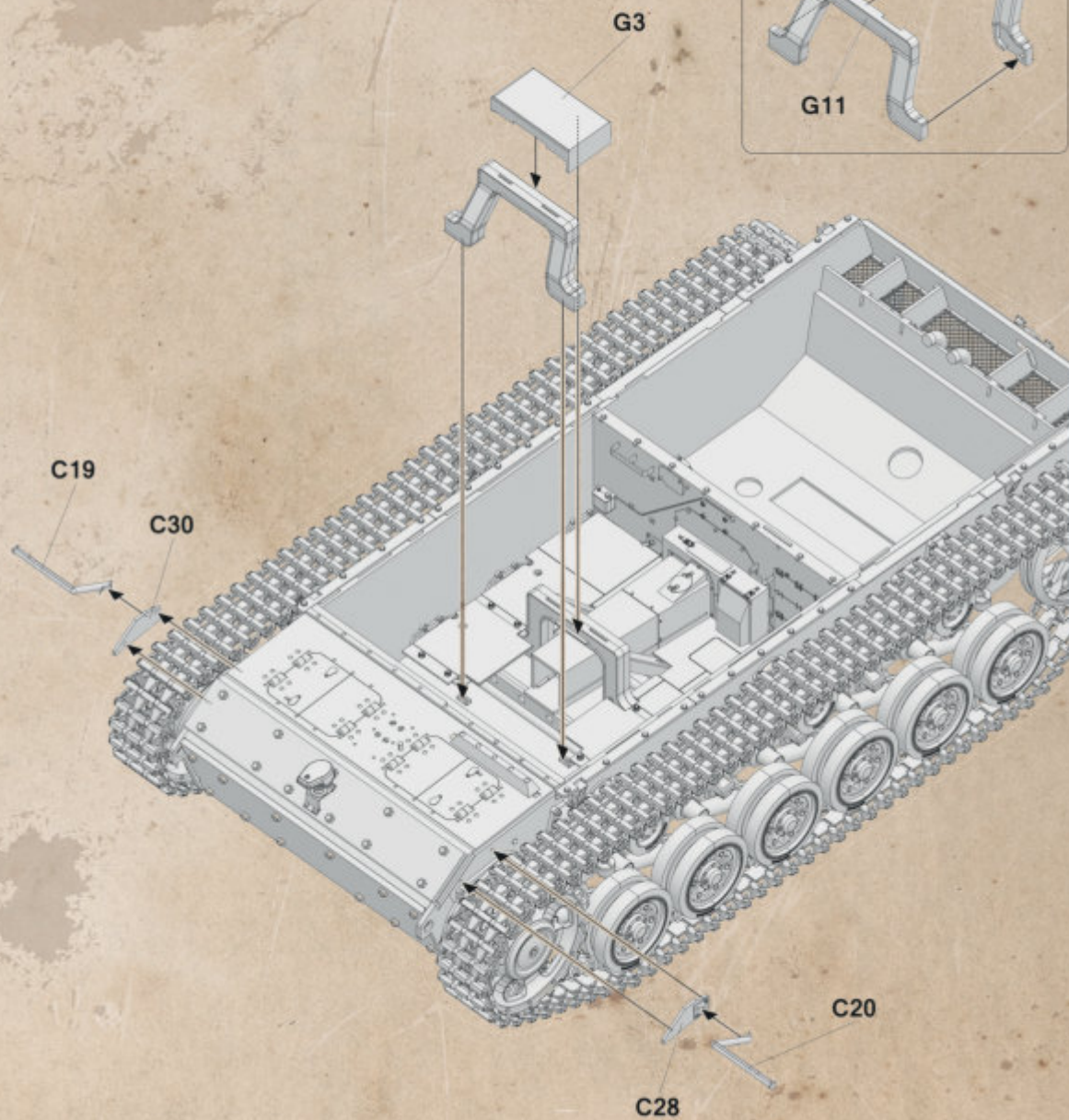
16



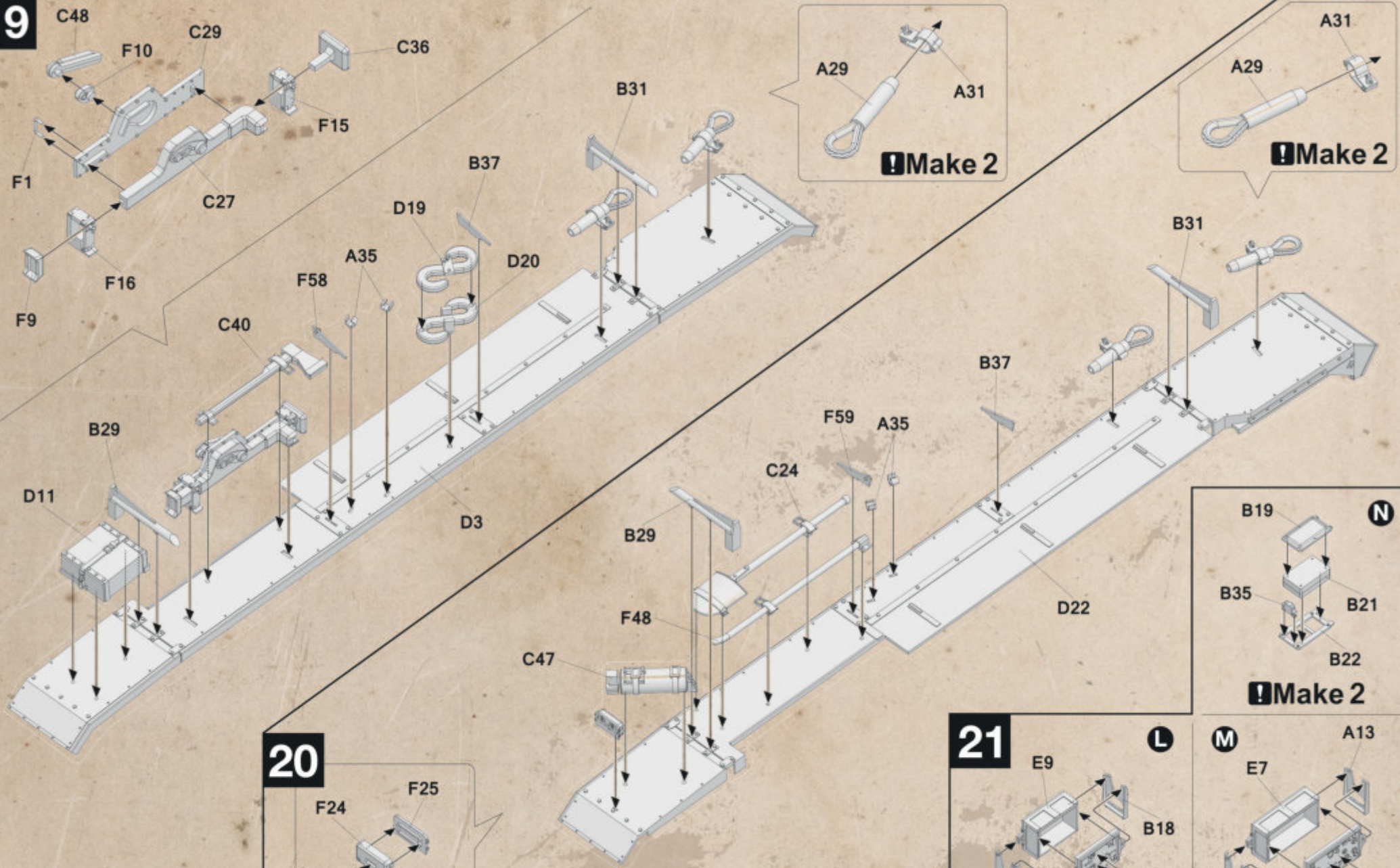
17



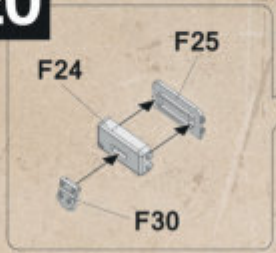
18



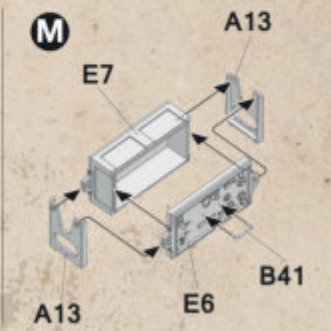
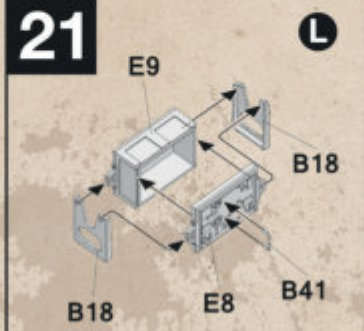
19



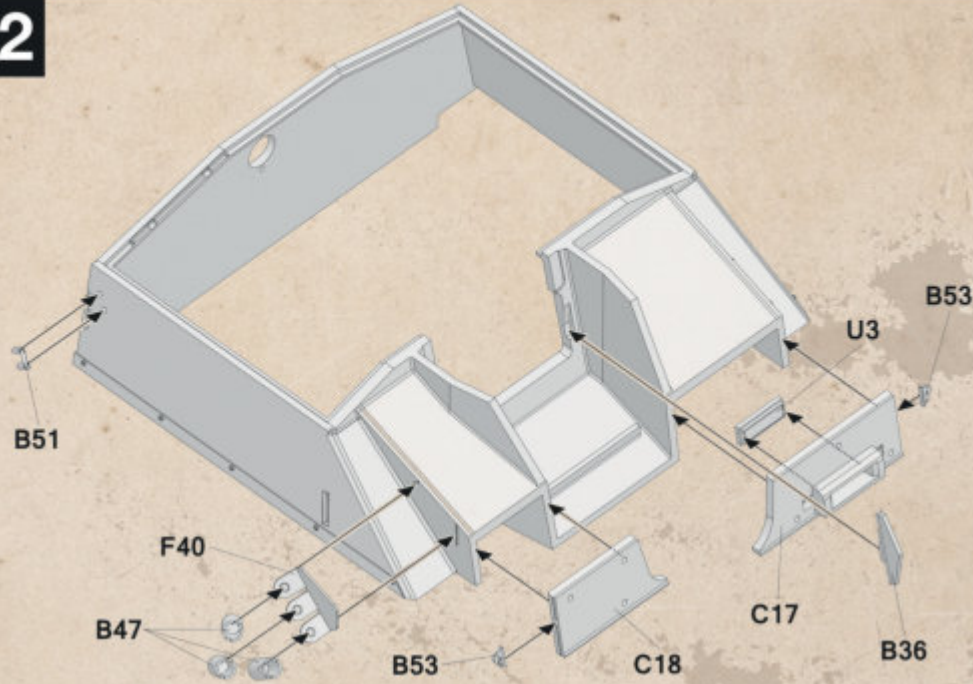
20



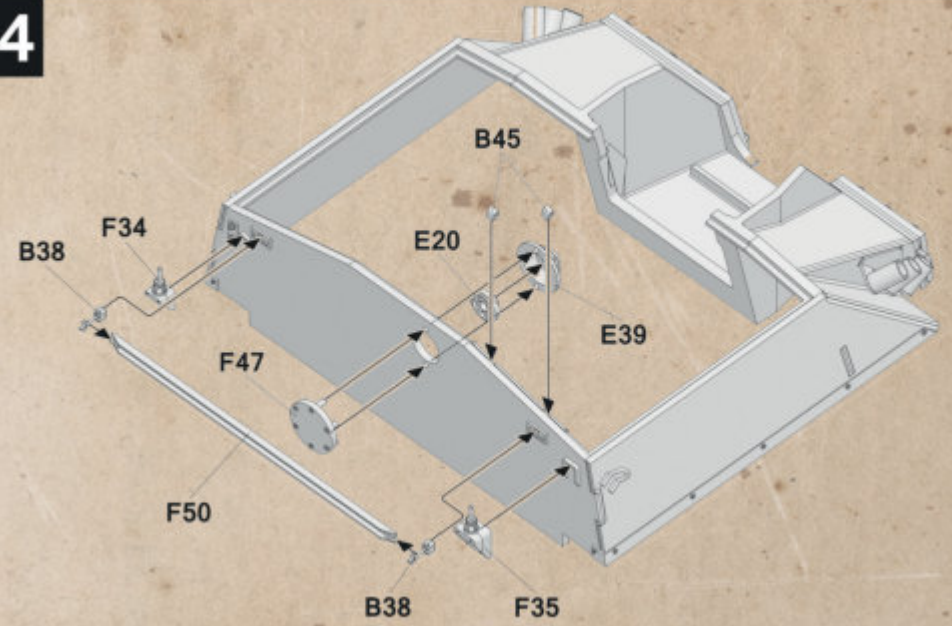
21



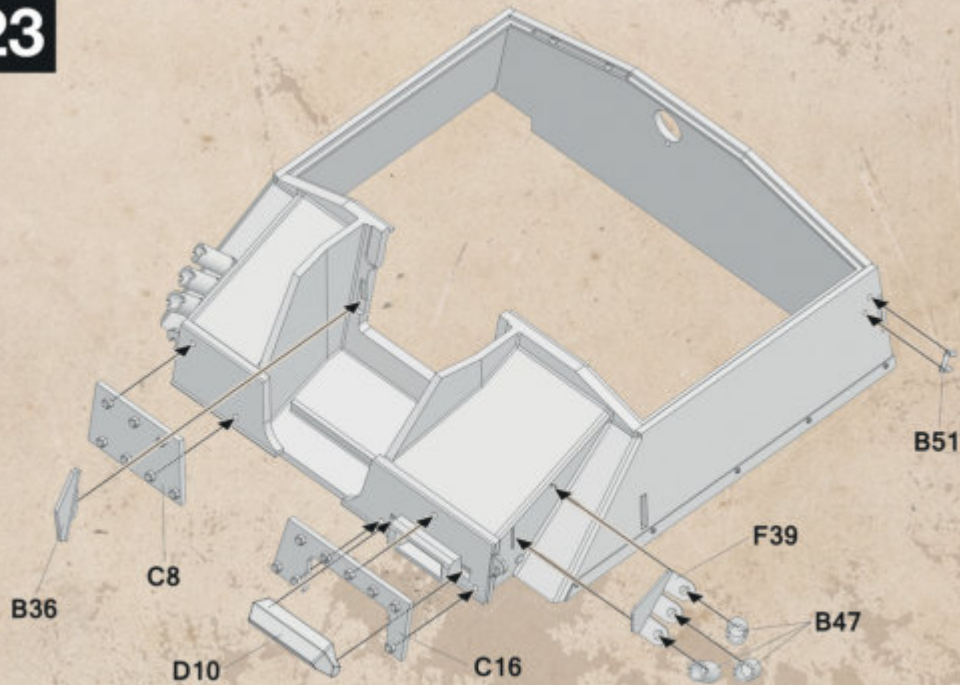
22



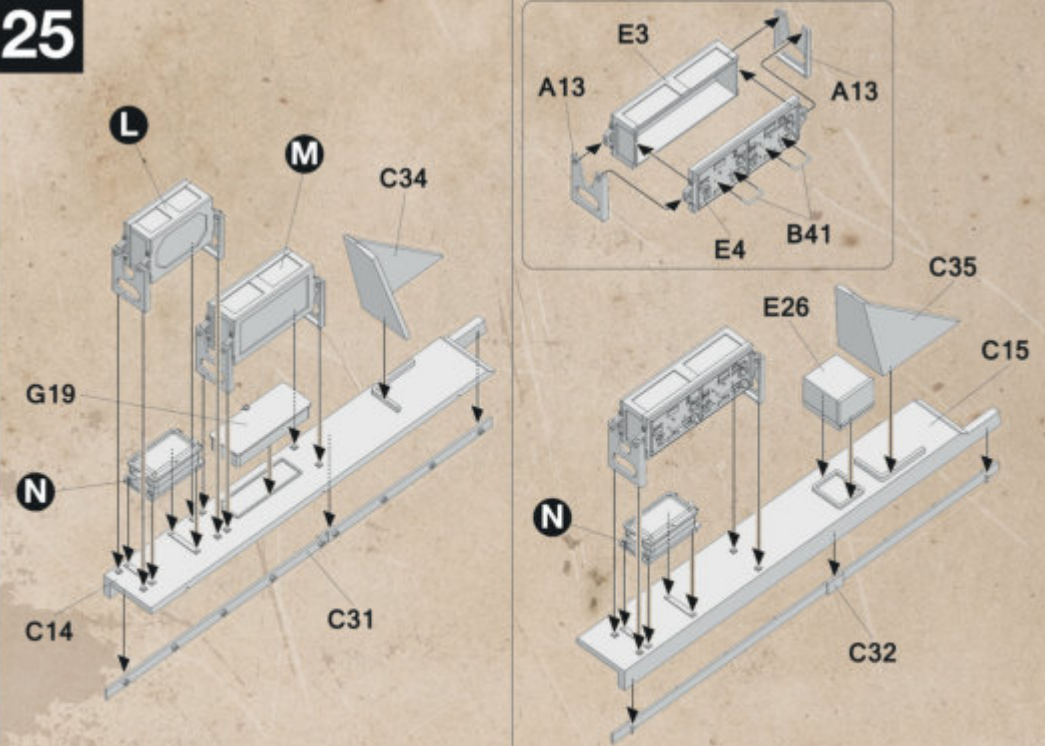
24



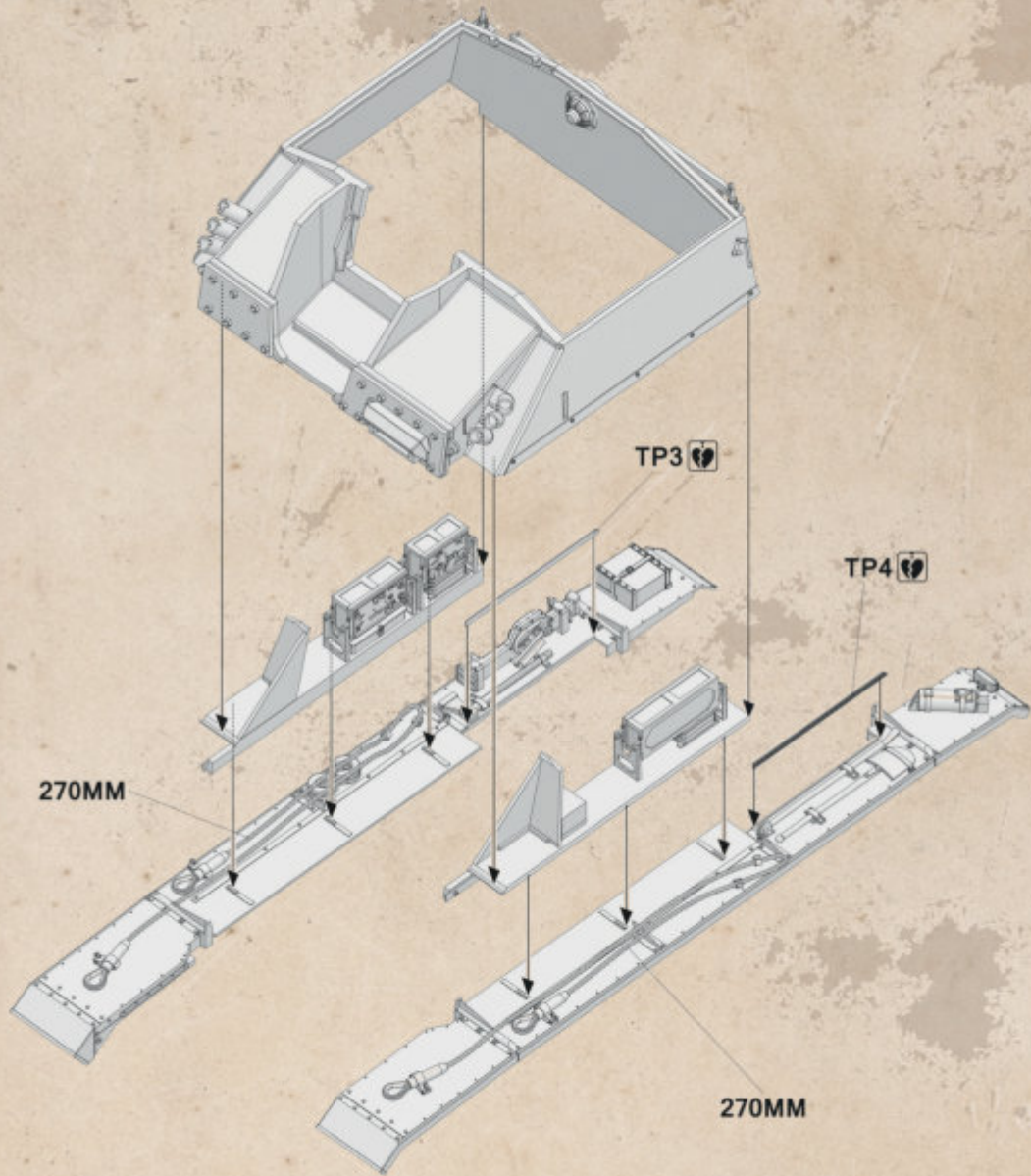
23



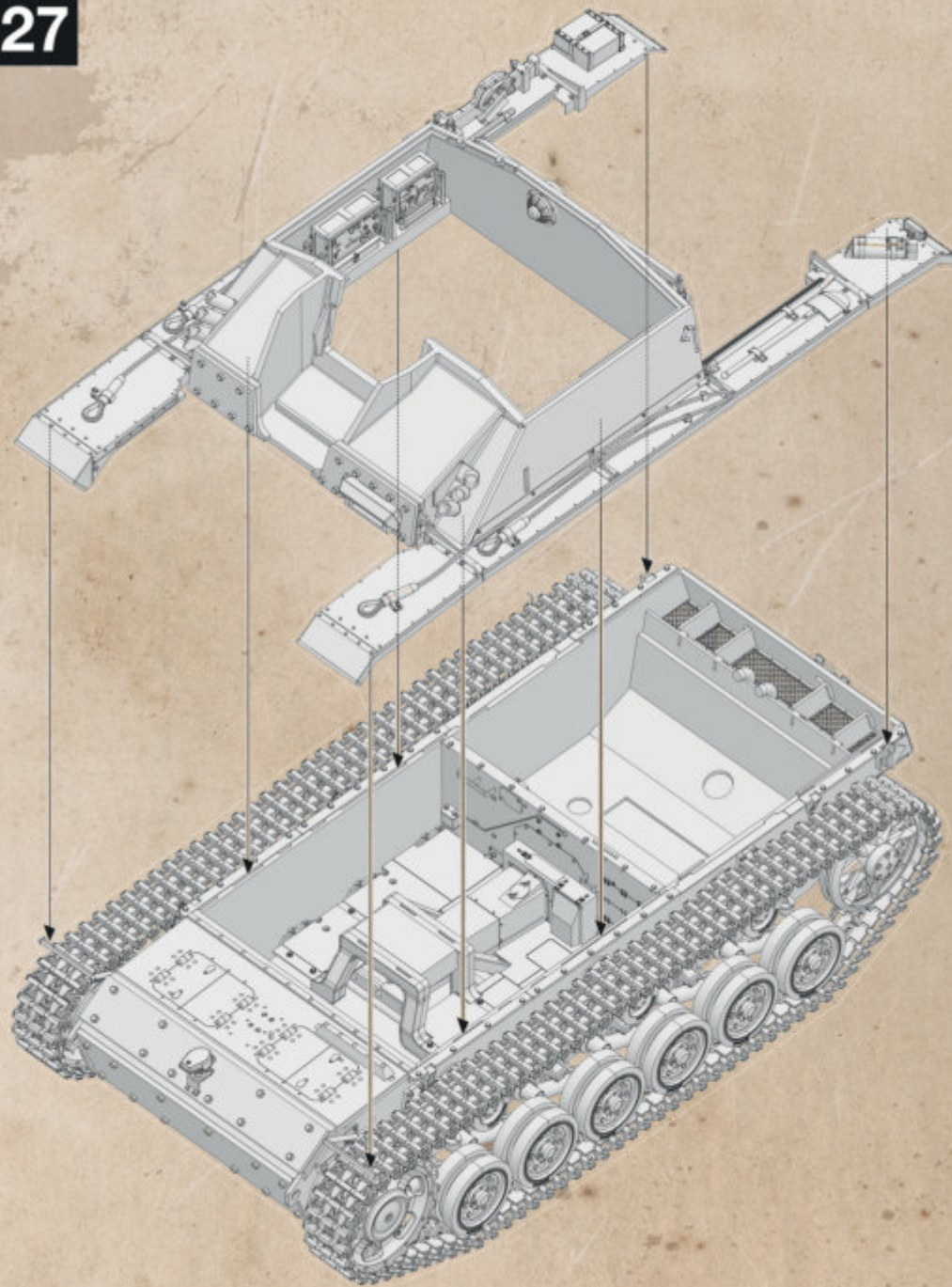
25



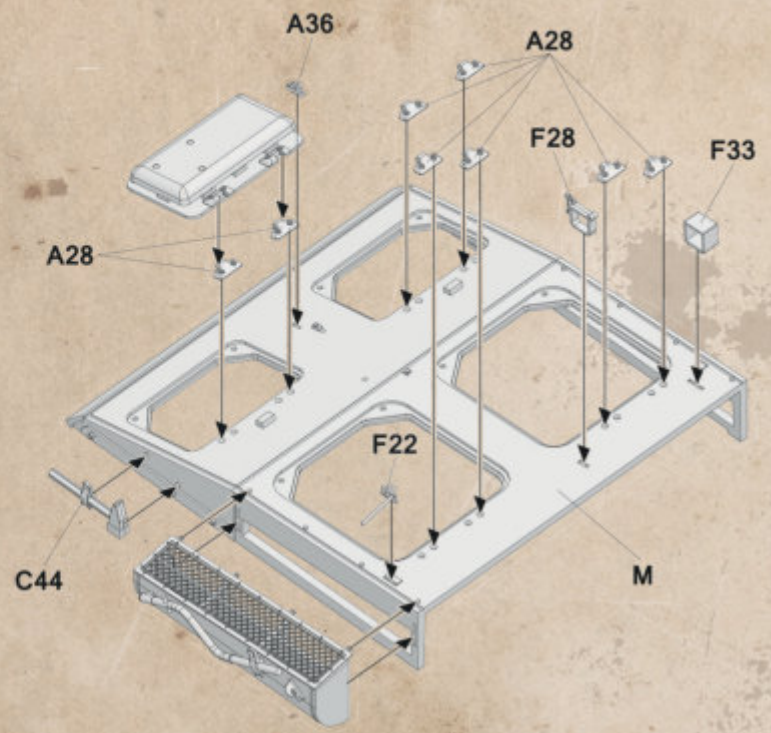
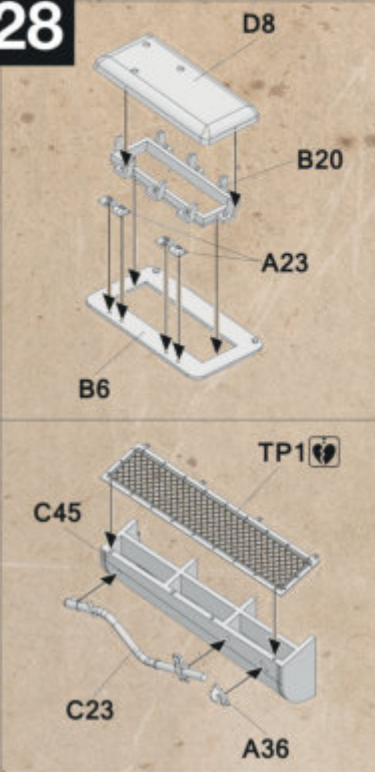
26



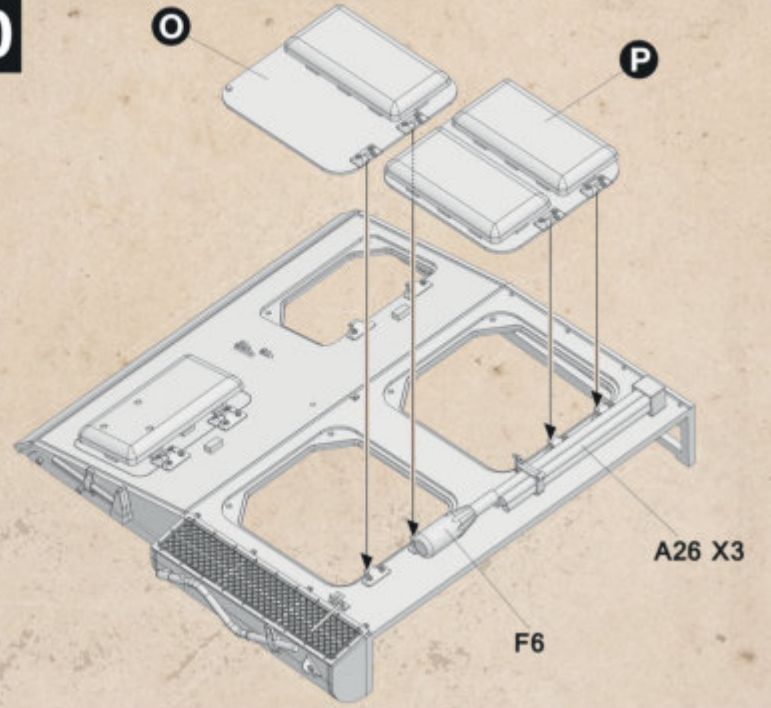
27



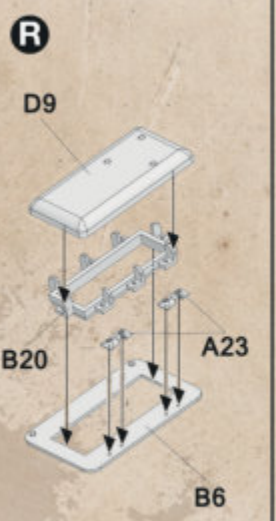
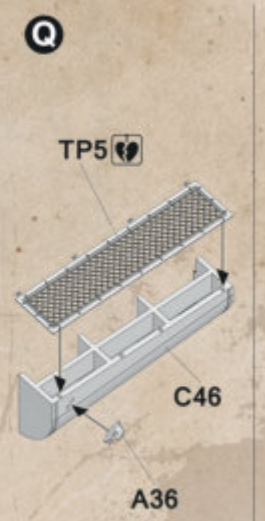
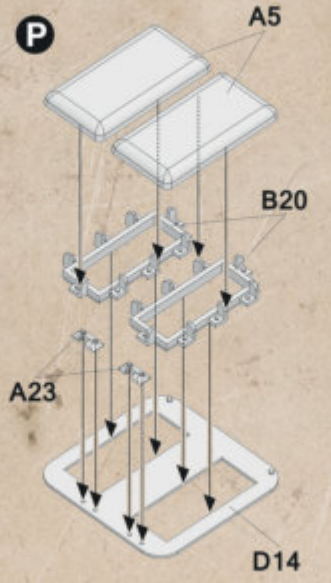
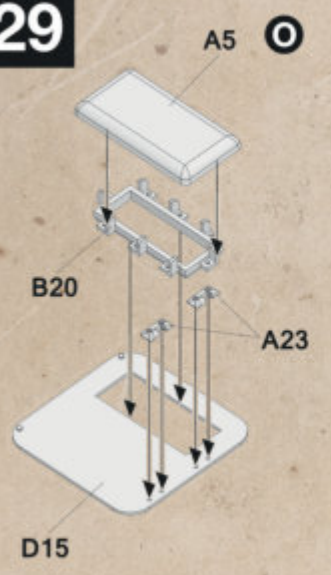
28



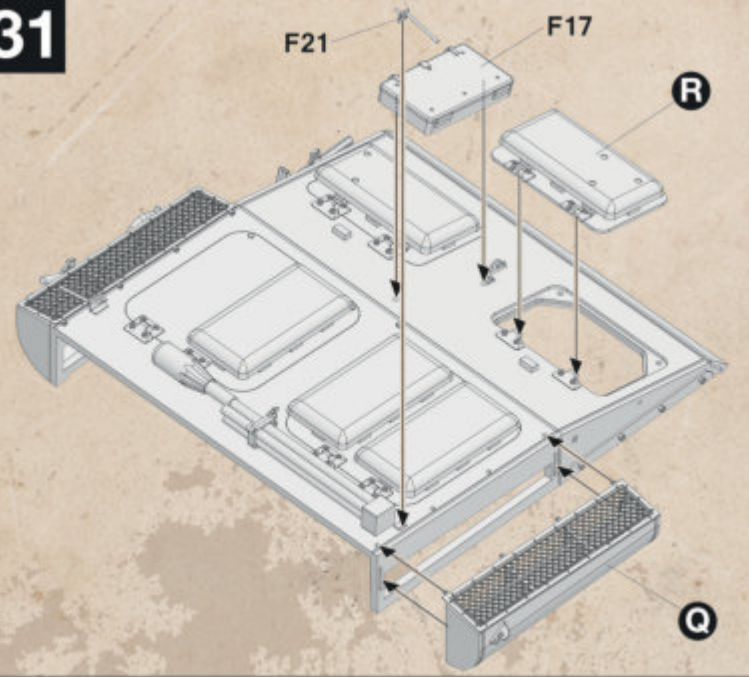
30



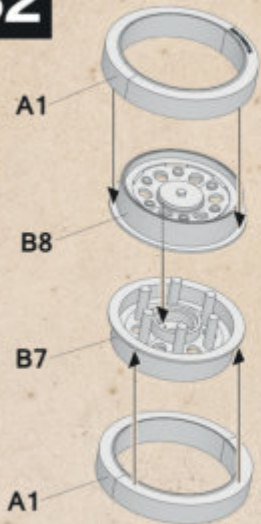
29



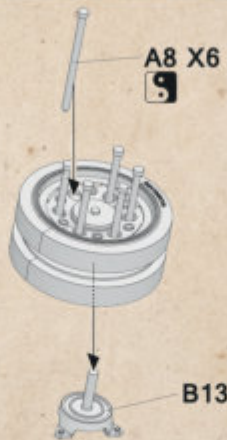
31



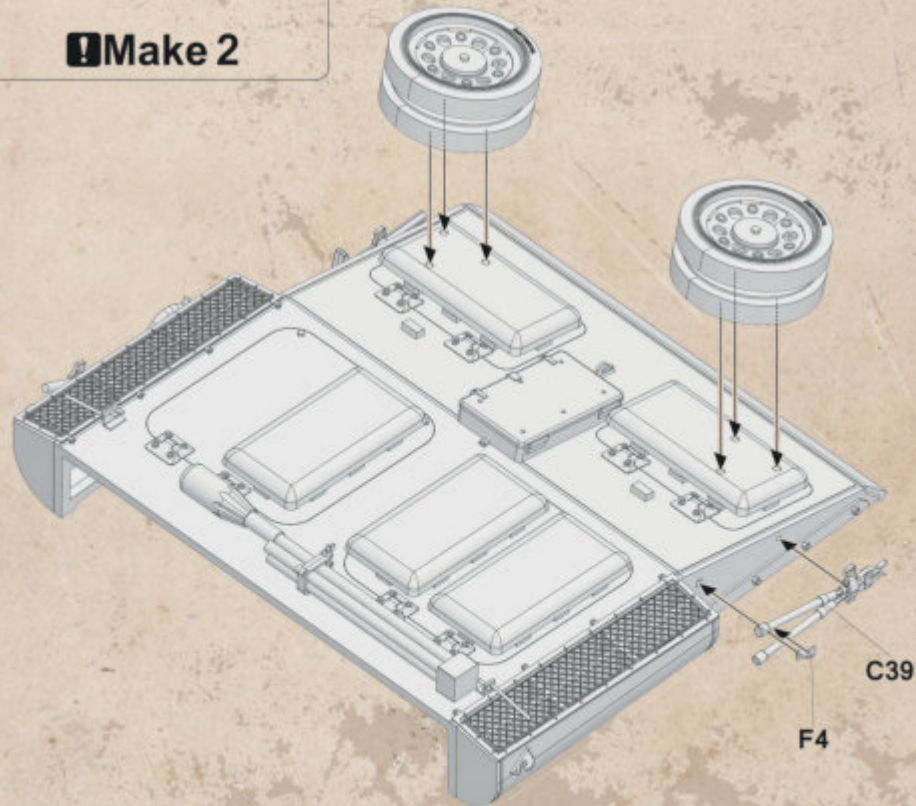
32



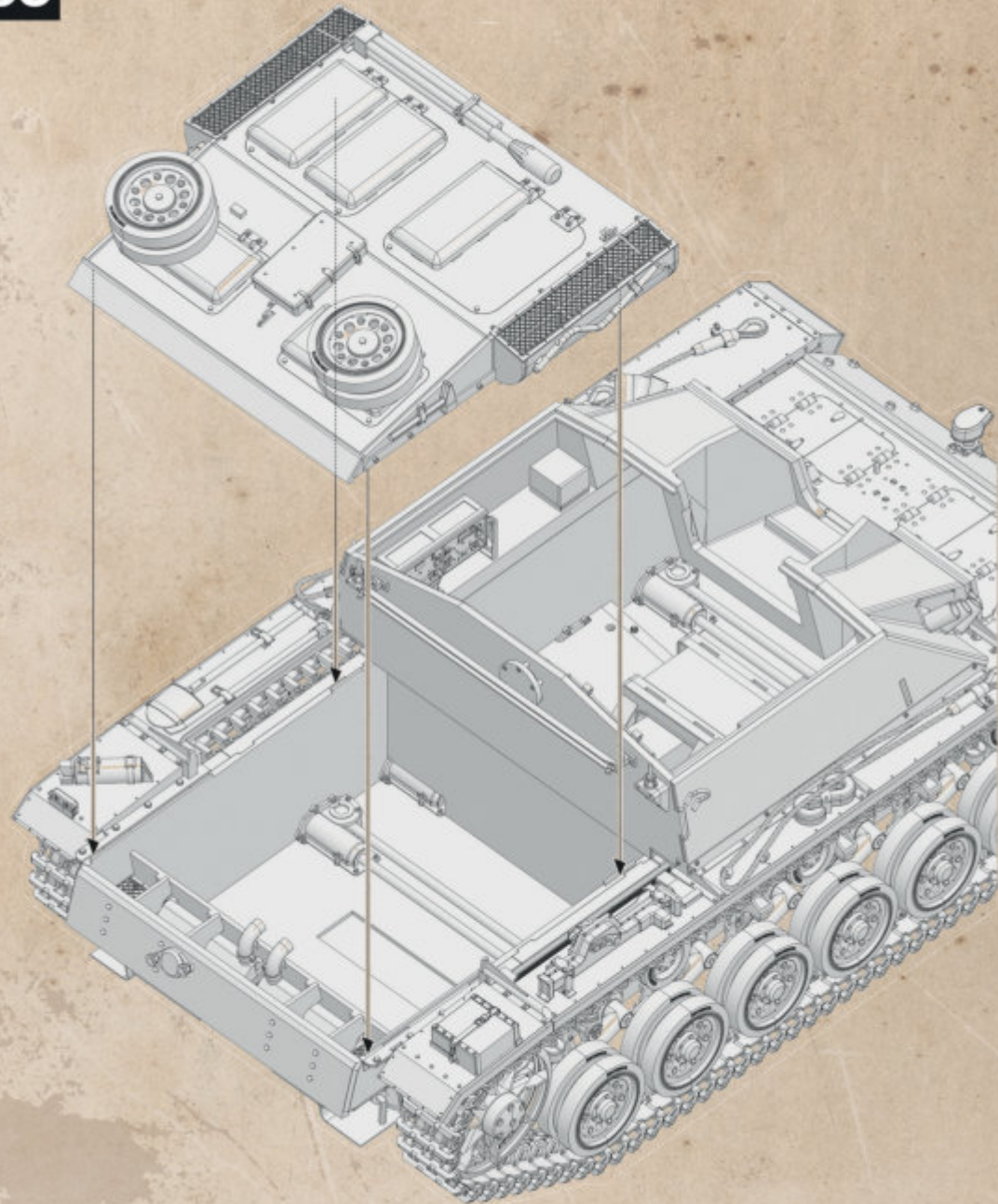
Make 2

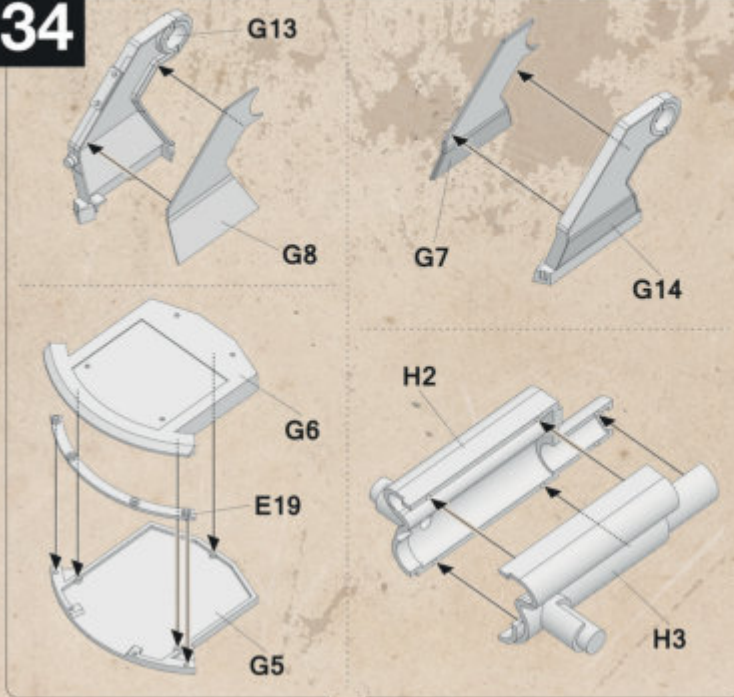
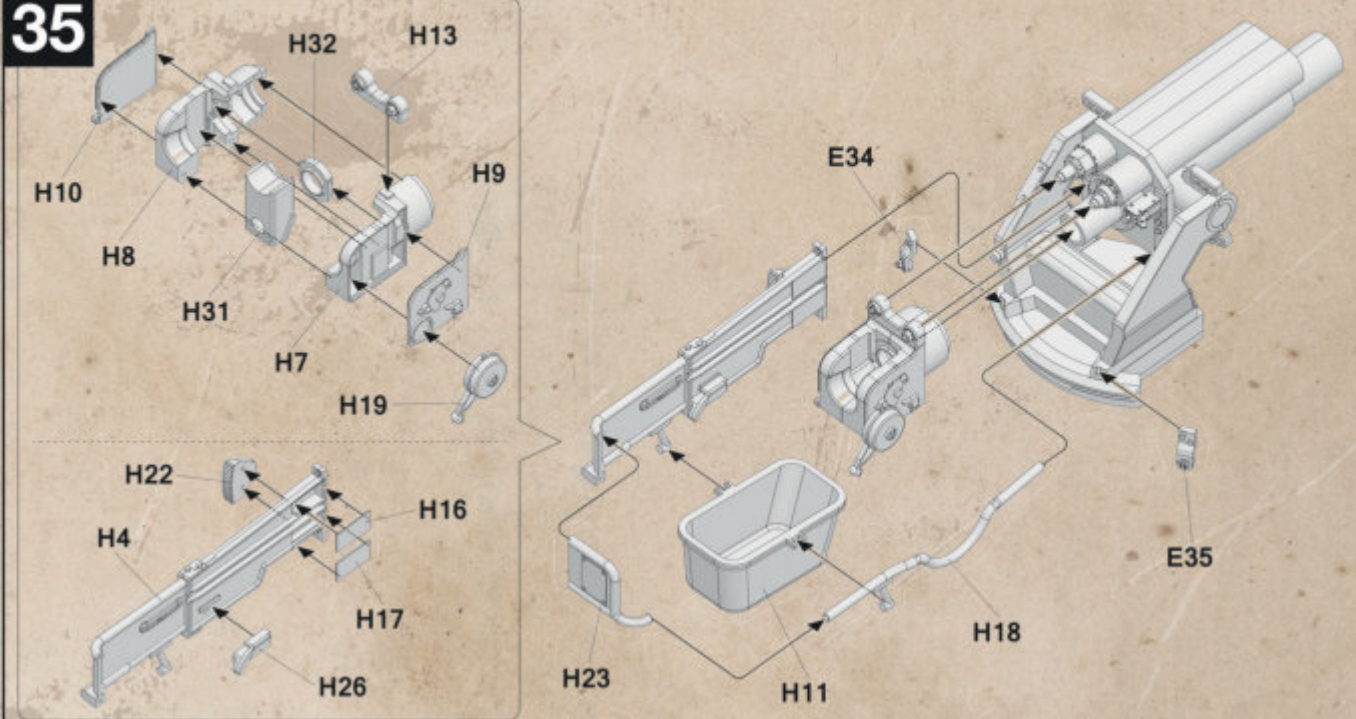
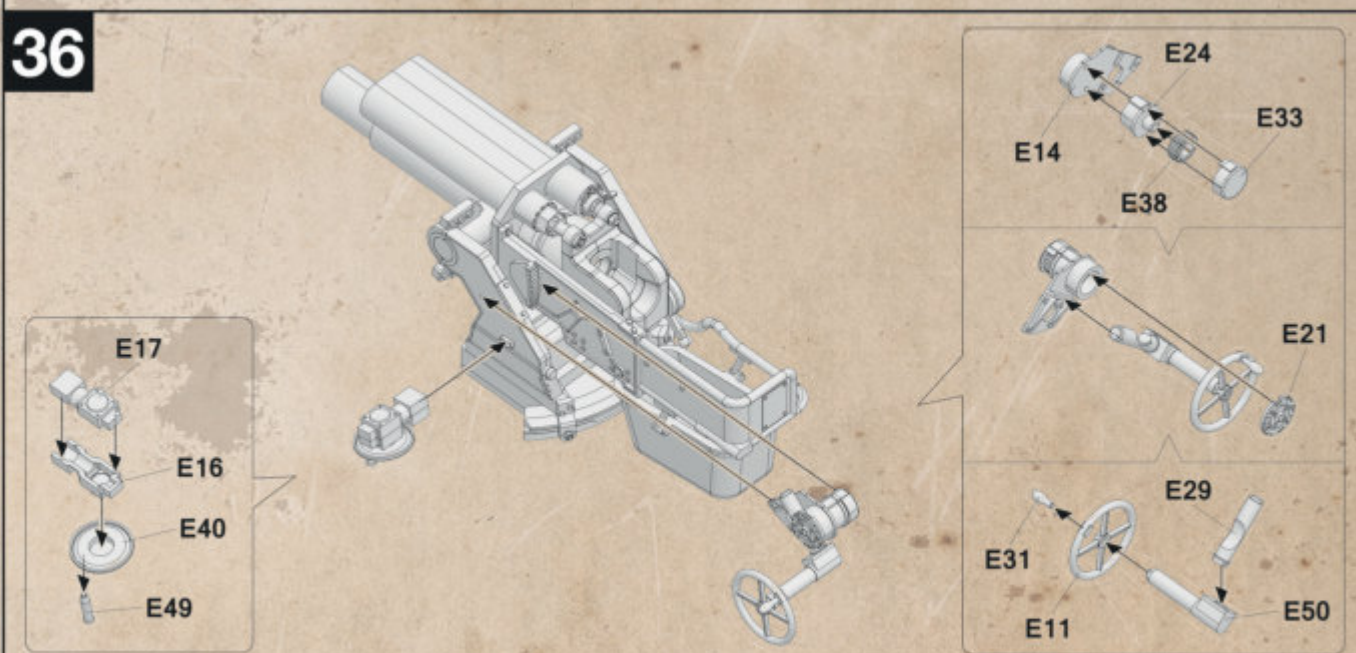
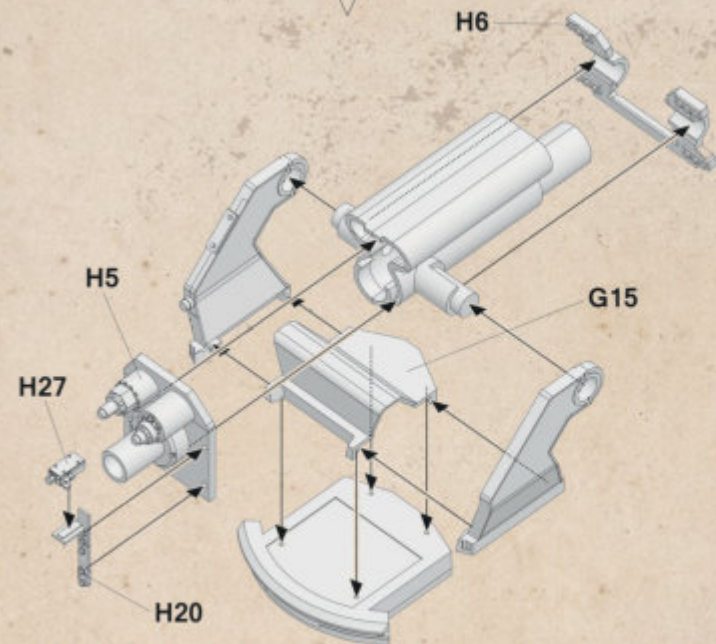


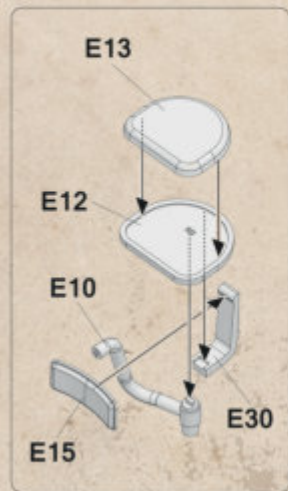
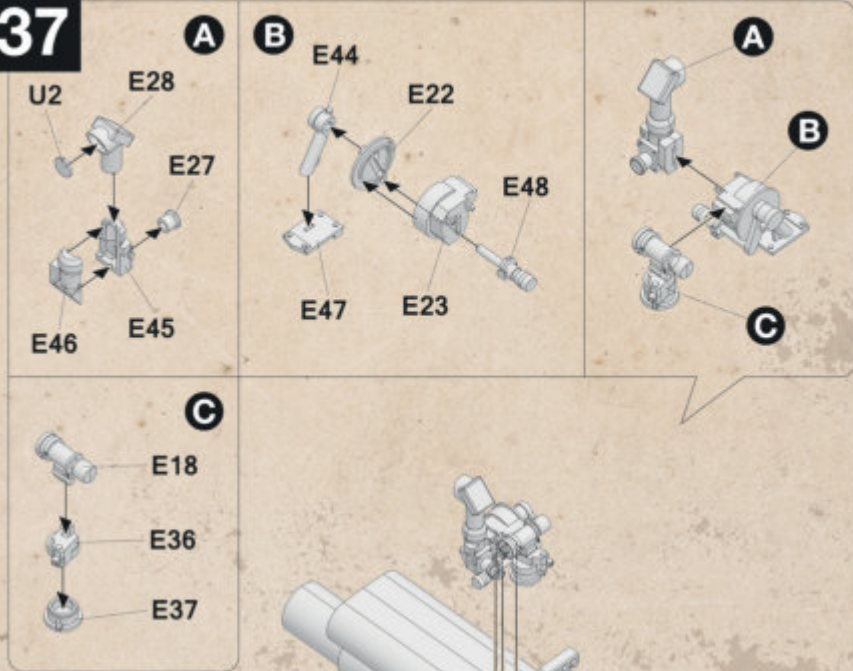
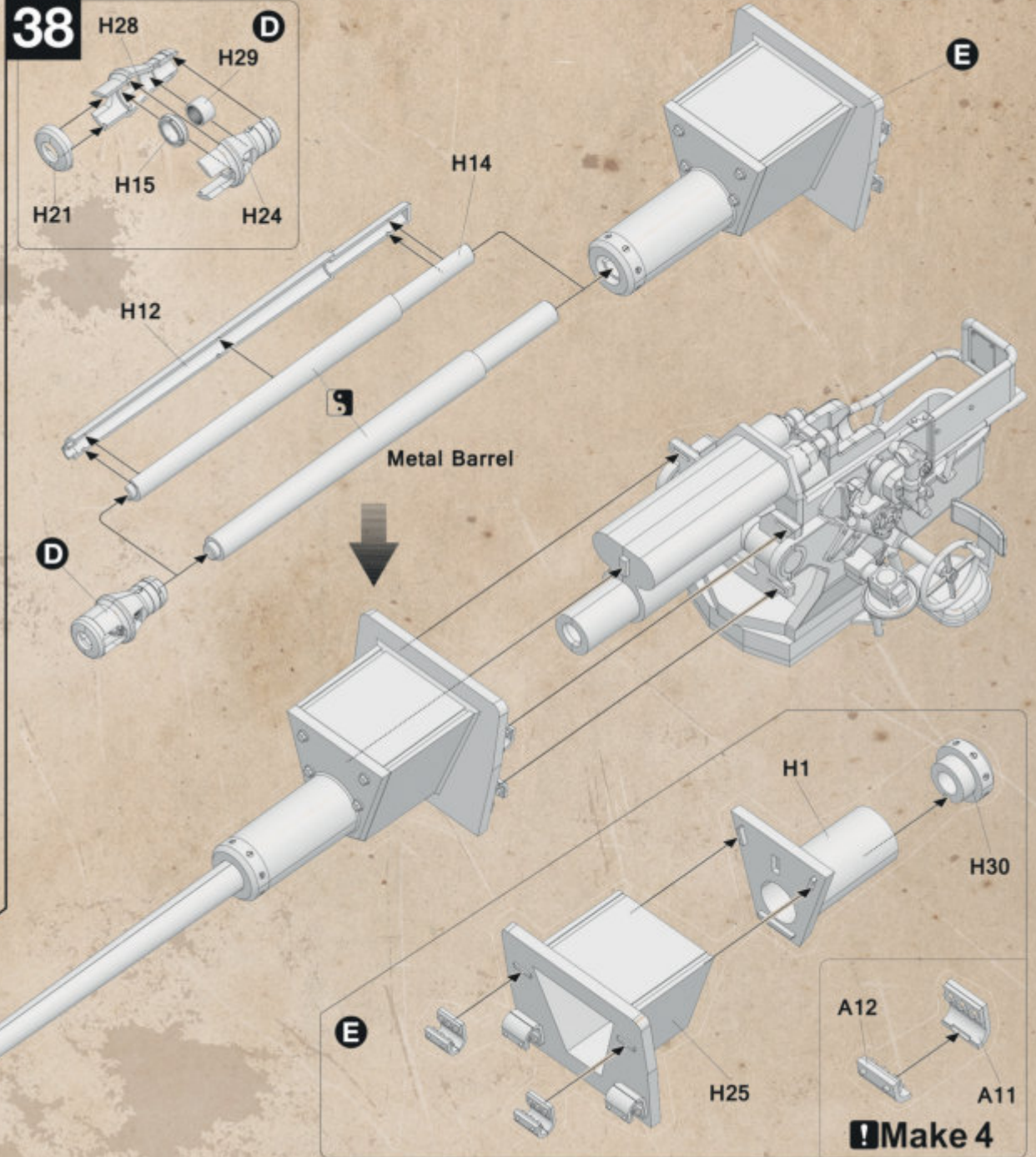
Make 2



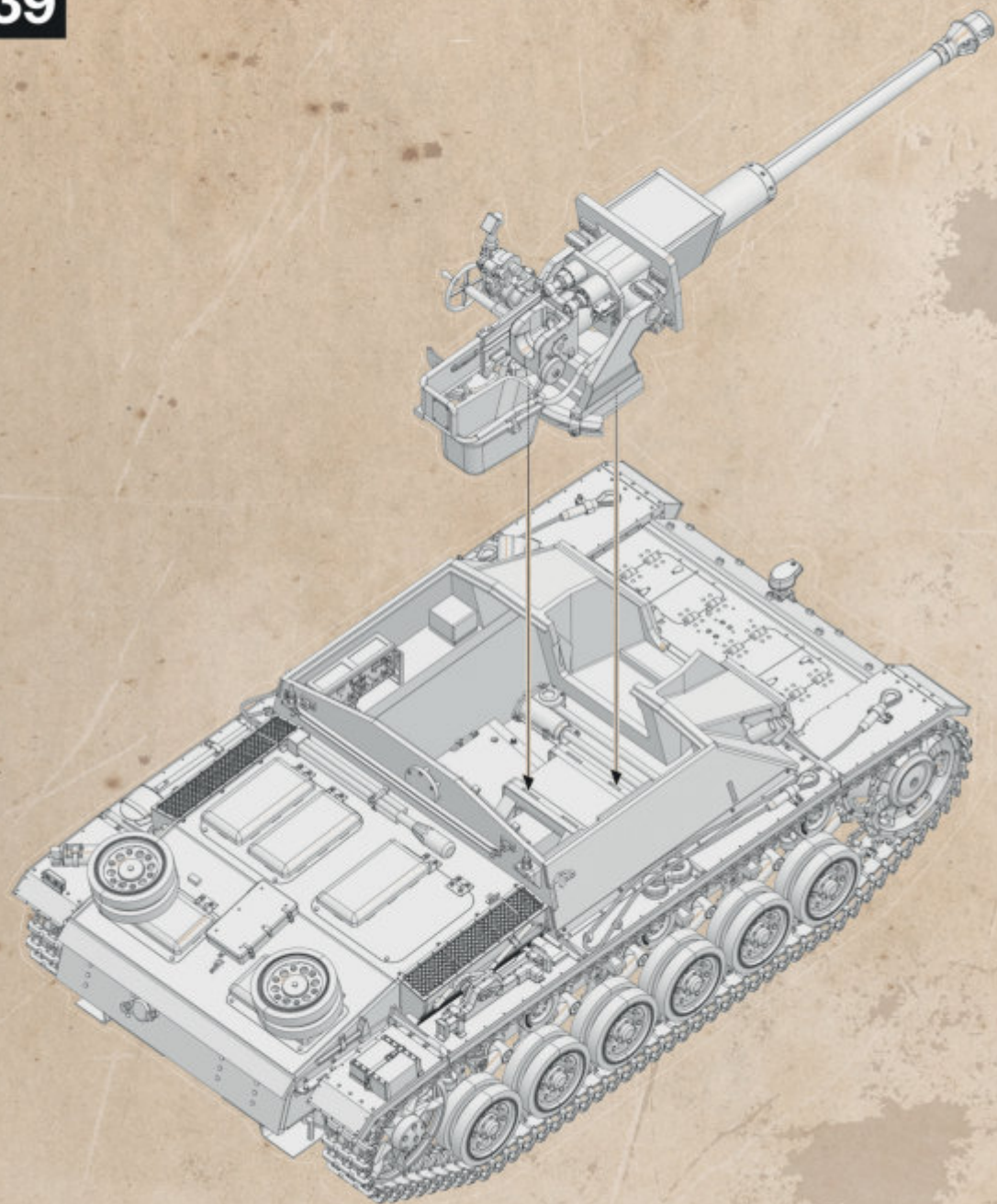
33



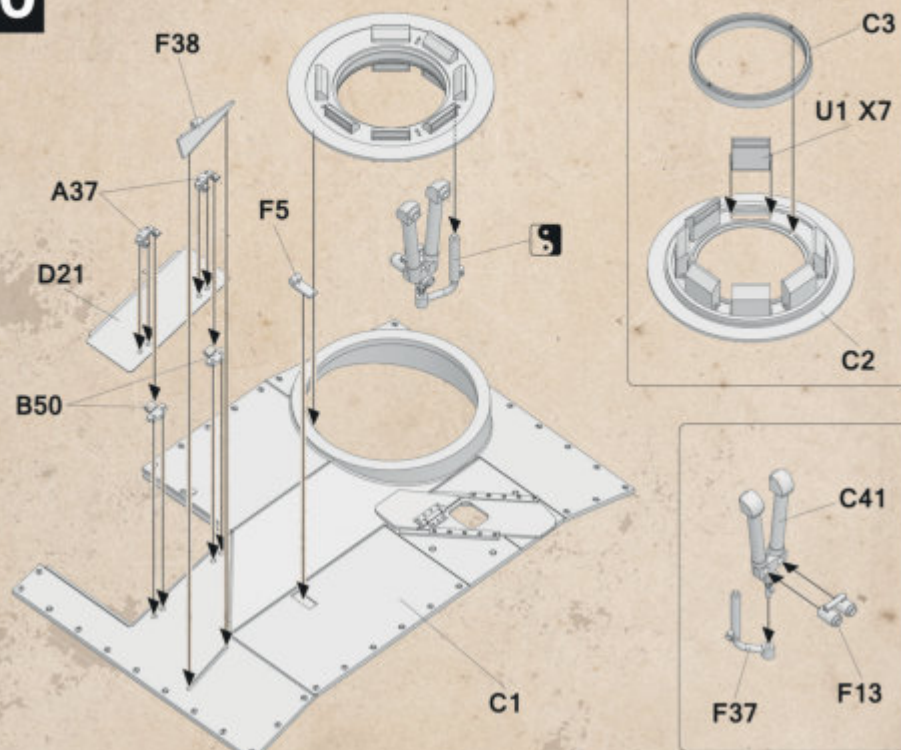
34**35****36**

37**38**

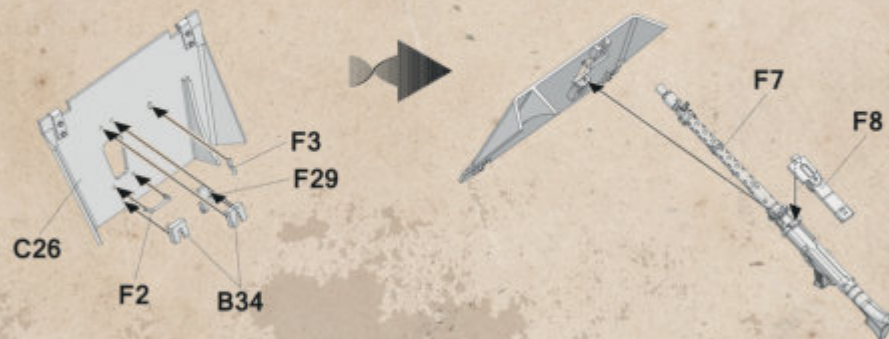
39

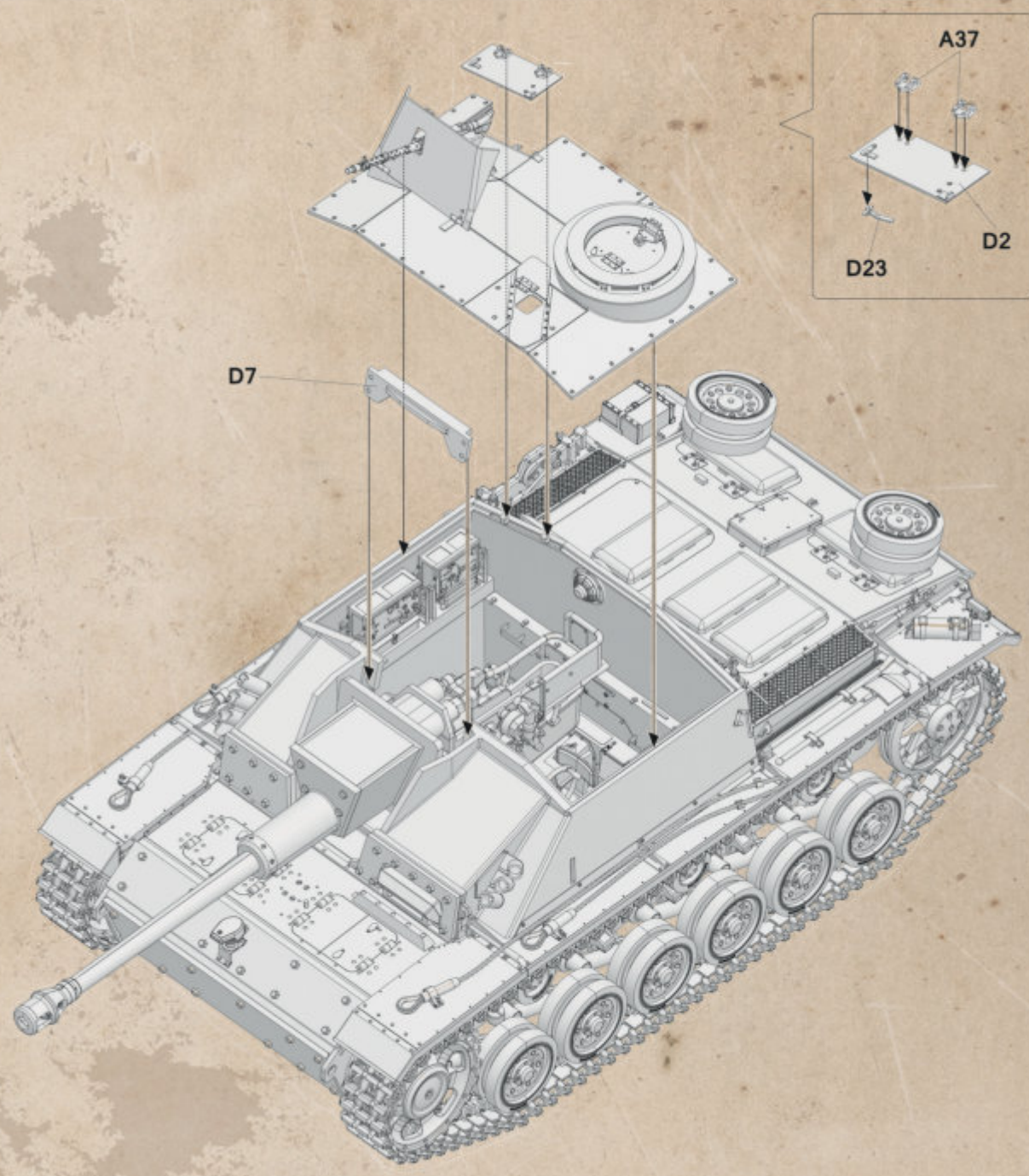
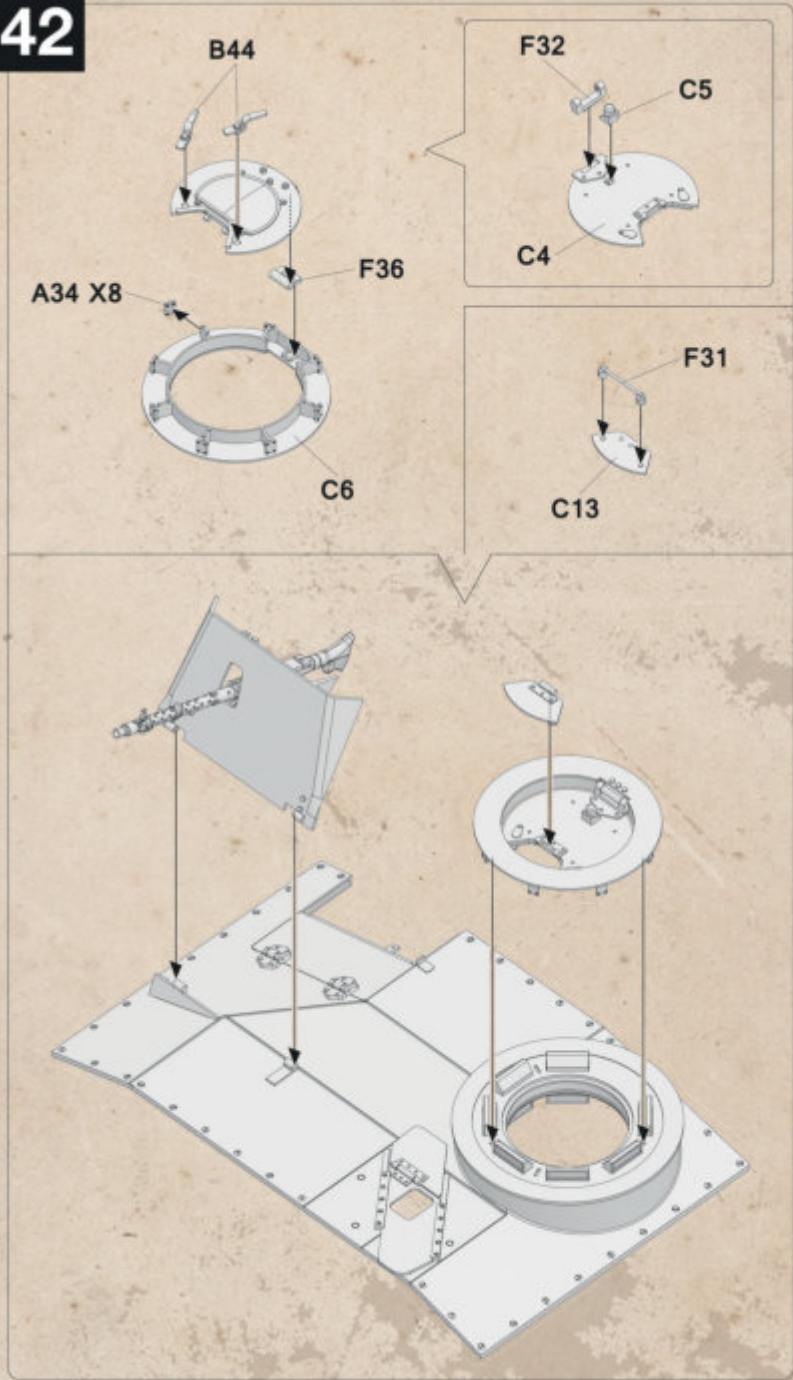


40



41





Painting and Marking Guide

A.MIG-0035 Dark Tracks

A.MIG-0033 Rubber & Tires

A.MIG-0045 Gun Metal

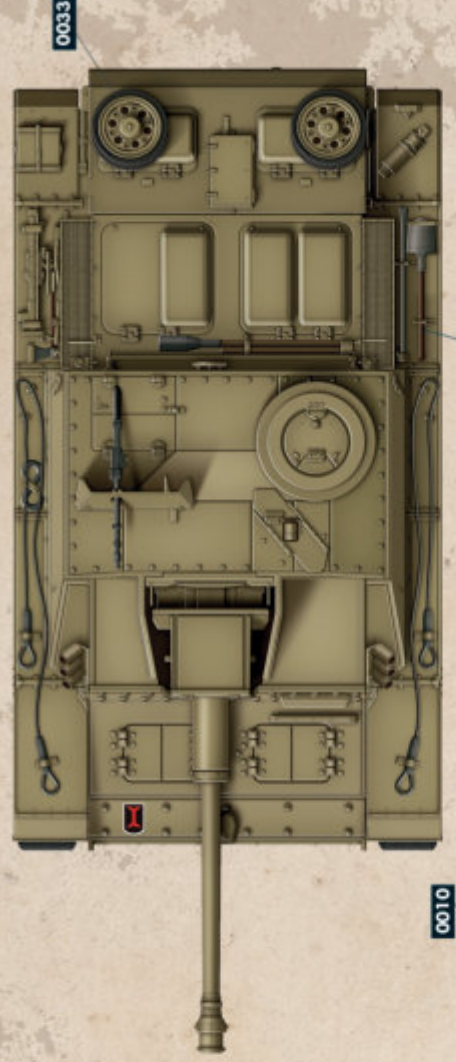
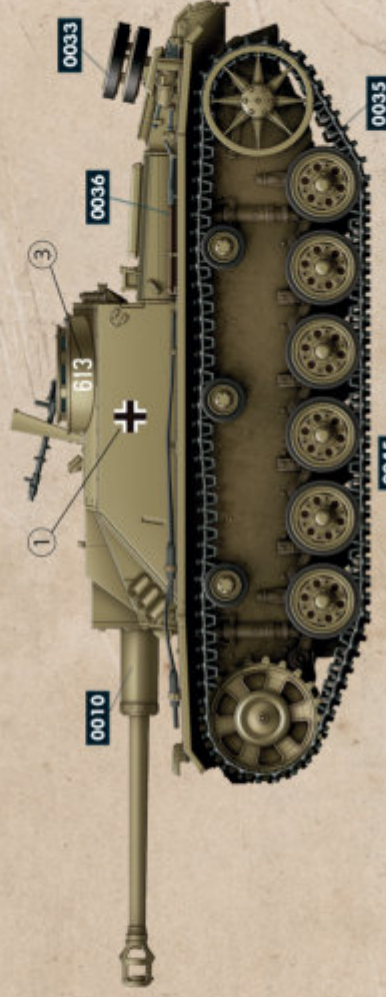
A.MIG-0036 Cold Wood

A.MIG-0032 Iron Black

A.MIG-0096 Crystal Perspex (Green)

A.MIG-0010 RAL 7028 Dunkelgrün (Dark Green)

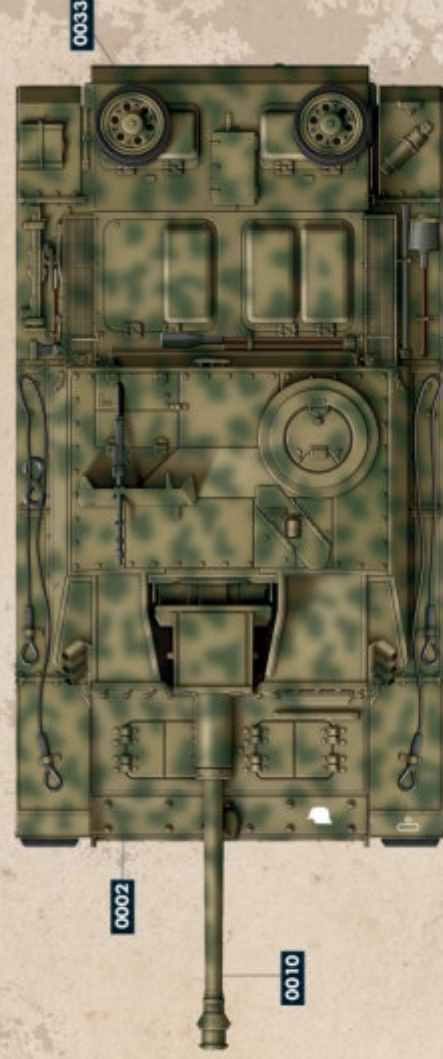
Sturmgeschütz-Batterie 742,
Northern Finland,
July 1943



Painting and Marking Guide

A.MIG-0035 Dark Tracks	A.MIG-0033 Rubber & Tires	A.MIG-0045 Gun Metal	A.MIG-0038 Light Wood
A.MIG-0052 Semi Black	A.MIG-0096 Cryal Periscope Green	A.MIG-0010 RAL 7025 Dunkelgrün (Mid War)	A.MIG-0002 RAL 6003 Olivgrün CRT 2

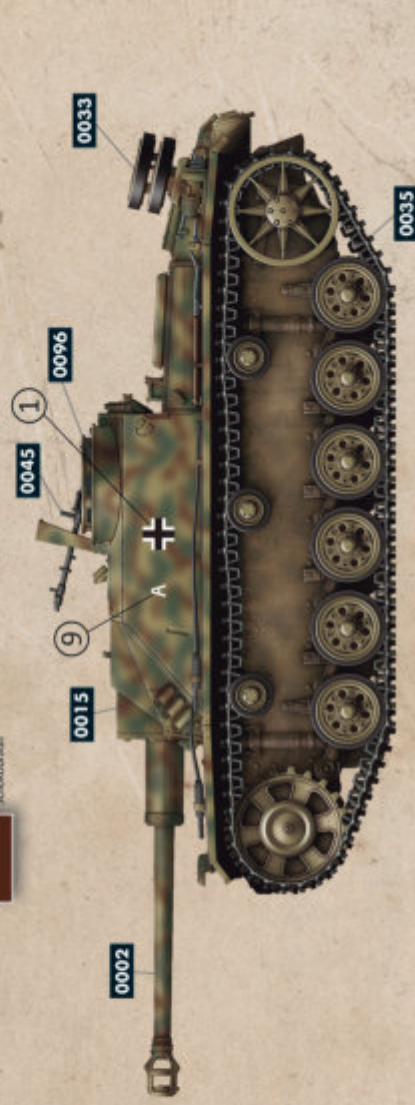
Großdeutschland Sturmgeschütz-Abteilung,
Kursk, Russia,
July 1943



Painting and Marking Guide

A.MIG-0035	Dark Tracks	A.MIG-0033	Rubber & Tires	A.MIG-0045	Gun Metal	A.MIG-0037	Old Wood
A.MIG-0032	Satin Black	A.MIG-0096	Crystal/Perspective Green	A.MIG-0010	RAL 7028 Dunkelgrün (Mid War)	A.MIG-0002	RAL 6003 Olivgrün CPZ 2
A.MIG-0015	RAL 8017 Schokorange						

Sturmgeschütz-Brigade 242,
Monte Cassino, Italy,
February 1944



Painting and Marking Guide

Sturmgeschütz-Abteilung 189,
Orel, Russia,
May 1943

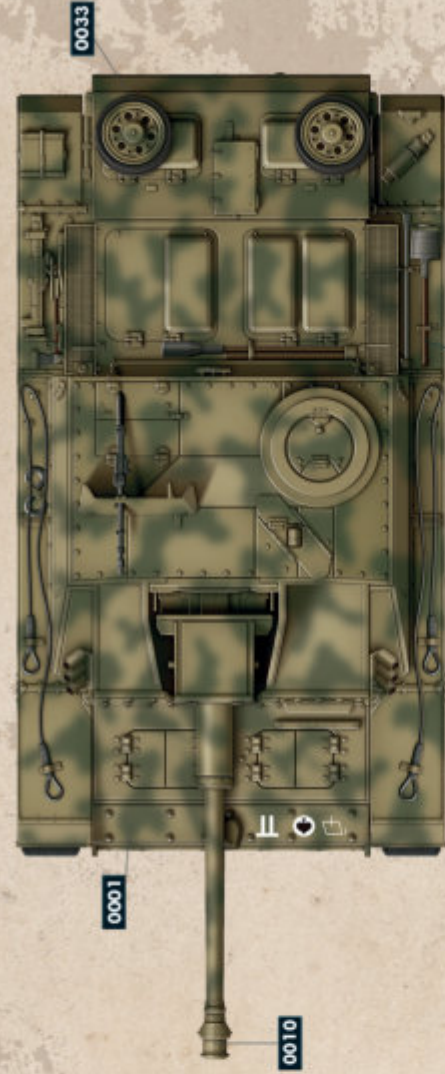
A.MIG-0035	Dark Tracks	A.MIG-0033	Rubber & Tires	A.MIG-0037	Old Wood
A.MIG-0032	Gun Black	A.MIG-0096	Crystal Periscope Green	A.MIG-0001	RAL 6003 Dragon Optifl.
		A.MIG-0045	Gun Metal		
		A.MIG-0010	RAL 7008 Dunkelgelb (Mid War)		



Painting and Marking Guide

A.MIG-0035 Dark Track	A.MIG-0033 Rubber & Tires	A.MIG-0045 Gun Metal	A.MIG-0037 New Hood
A.MIG-0032 Satin Black	A.MIG-0098 Crystal Periscope Green	A.MIG-0010 RAL 7021 Dunkelgrün (Mid War)	A.MIG-0001 RAL 0001 Ökigrün OPTI

SS-Sturmgeschütz Abteilung 2,
 'Das Reich',
 Belgorod, Russia,
 July 1943



Das Werk

Check out other great kits from us:



DW35018 - Rammtiger (1:35 scale)



DW35026 - RSO Type 470 (1:35 scale)



DW35022 - French 155mm gun (1:35 scale)



DW72001 - WW1 German U-Boat SM Ug (1:72 scale)

www.das-werk-models.com