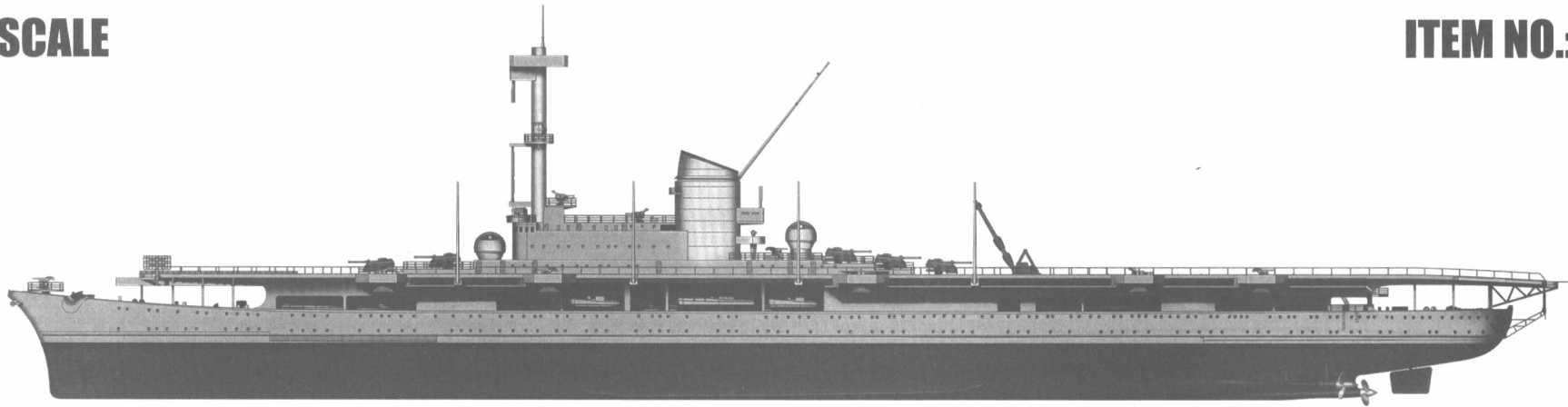


1/350 SCALE

ITEM NO.:05633



Aircraft Carrier Weser

威悉河号航空母舰

READ BEFORE ASSEMBLY:

- This kit is not recommended for inexperienced modelers or for children under 14 years of age
- Study and understand these instructions thoroughly before beginning assembly
- When needed, remove photo-etch parts carefully using a modeling knife or photo etch sprue cutter, being careful not to damage or lose small parts.
- Take extra care in handling photo etch parts in order to avoid injury
- Apply instant cement sparingly to photo etch parts where instructed

- Tools recommended(not included in kit):Plastic and instant cements,sprue cutters,long nose pliers,modeling knife, small files, tweezers, pin vise & scissors. Soft cloth and sandpaper will also assist in construction
- Glue and paint are not included in the kit. Use plastic cement and hobby paints only. Color guide for purchasing paint is included in the kit.
- Keep out of reach of children. They must not be allowed to ingest small parts or handle plastic bags in any way.

* 说明书中含有重要信息，应保留。 Please Keep instruction since it contains important information.

装配之前仔细阅读

- 小心用模型锉刀锉平所有零件表面的注射浇口。
- 小心用刀片切下蚀刻片零件，不要遗失小零件。
- 用强力快干胶水粘合蚀刻片零件和金属轴。过量的快干胶水使用可能导致可动零件会粘住，小心涂胶。
- 取蚀刻片时应特别注意安全，防止利边划伤手指。
- 某些零件表面需贴上水贴纸，请选择在装配的同时进行。
- 推荐模型工具(自备)：胶水，水口剪刀，长咀钳，刀片，锉刀，镊子钳，钻，剪刀，瞬间快干胶。
- 软布同砂纸同时也是所需工具。
- 请使用塑料胶水和油漆，模型内不含。
- 谨防小孩吸吮塑料零件，或者将塑料袋套在头上，制作时应将套材远离小孩接触。
- 本产品不适合14岁以下没有经验的模型爱好者。

水贴纸的使用:

1. 从水贴纸上剪下印花;
2. 将印花放入温水中浸10秒，然后放在干净布上。
3. 拿着印花纸板将印花移到模型上;
4. 手指蘸水将印花移到适当的位置;
5. 用软布轻压印花直至水干，气泡消失。

DECAL APPLICATION:

1. Cut decals from sheet as needed
2. Dip the decal in warm water for about 10 seconds and then place on soft clean cloth.
3. Hold the decal backing sheet edge and gently slide the decal onto the model in its proper position.

4. While still wet, decal can be adjusted for better fit on model by dampening it gently with your finger.
5. When placed in the proper position, gently press decal down with a soft cloth until excess water and air bubbles are gone.
6. Allow decal to dry completely before handling model

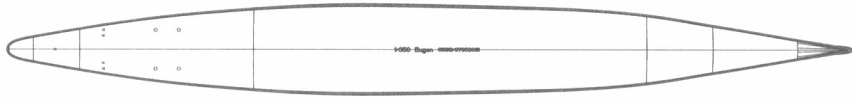


部品图
Parts

《上船体》
Upper hull



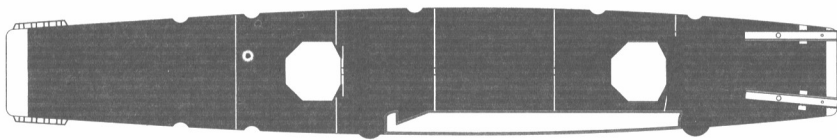
《下船底》
Lower hull



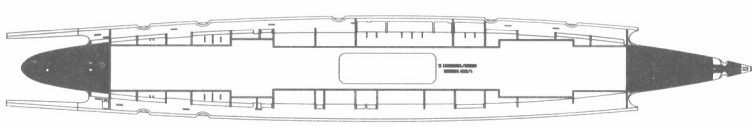
《水线板》
WL plate



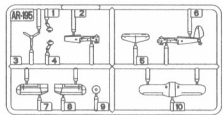
J



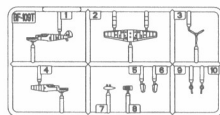
K



AR-195 x5



BF-109T x5



AR-195 x5



BF-109



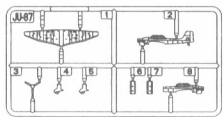
JU-87



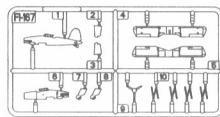
FI-167



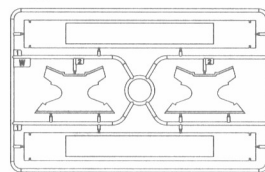
JU-87 x5



FI-167 x5



W



PE-A



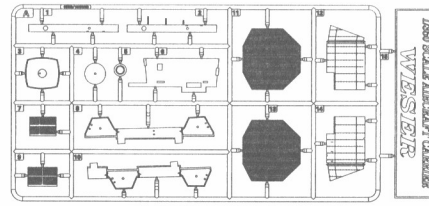
PE-B



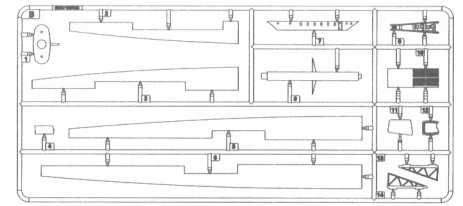
PE-C



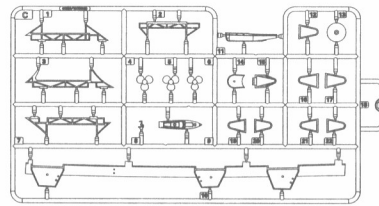
A



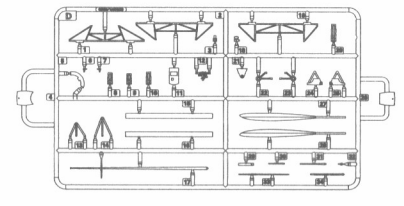
B



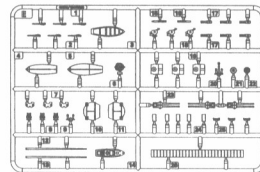
C



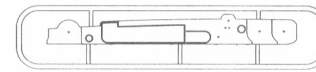
D



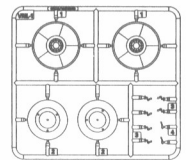
Ex2



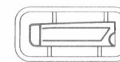
F1



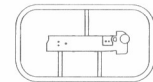
VRIL-1



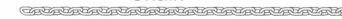
F2



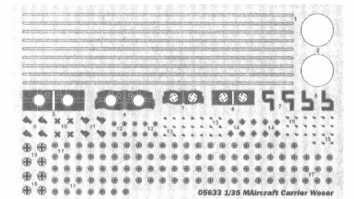
F3



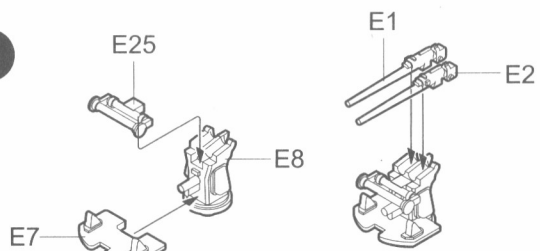
《锚链》
Chain L:200



《水贴》
Decal

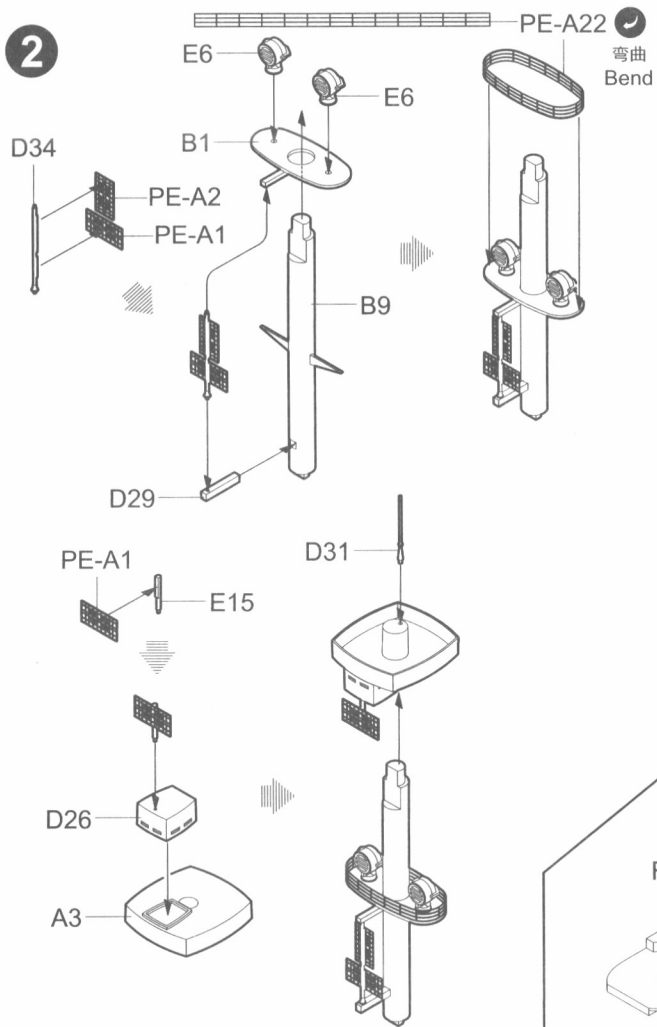


1

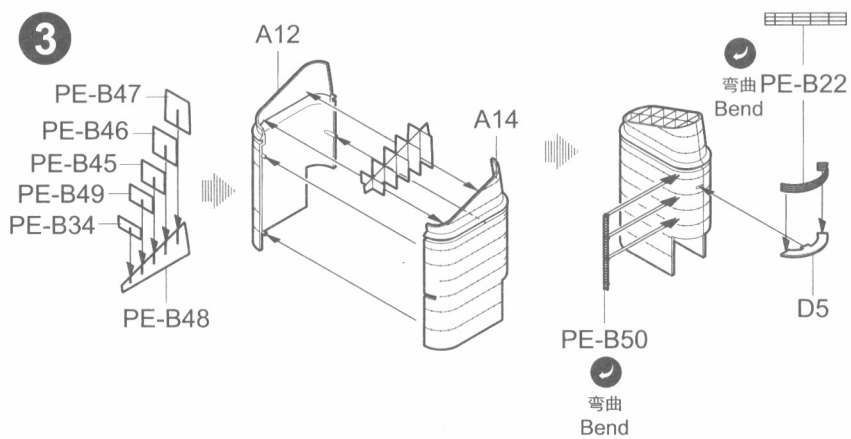


制作5套
Make five

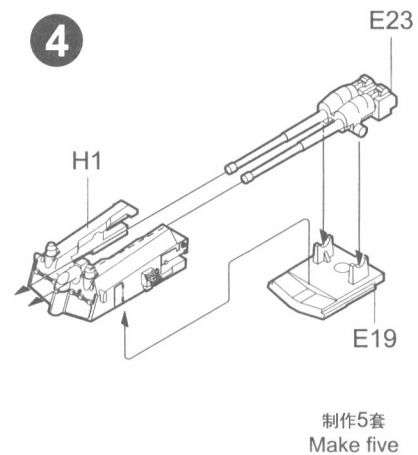
2



3

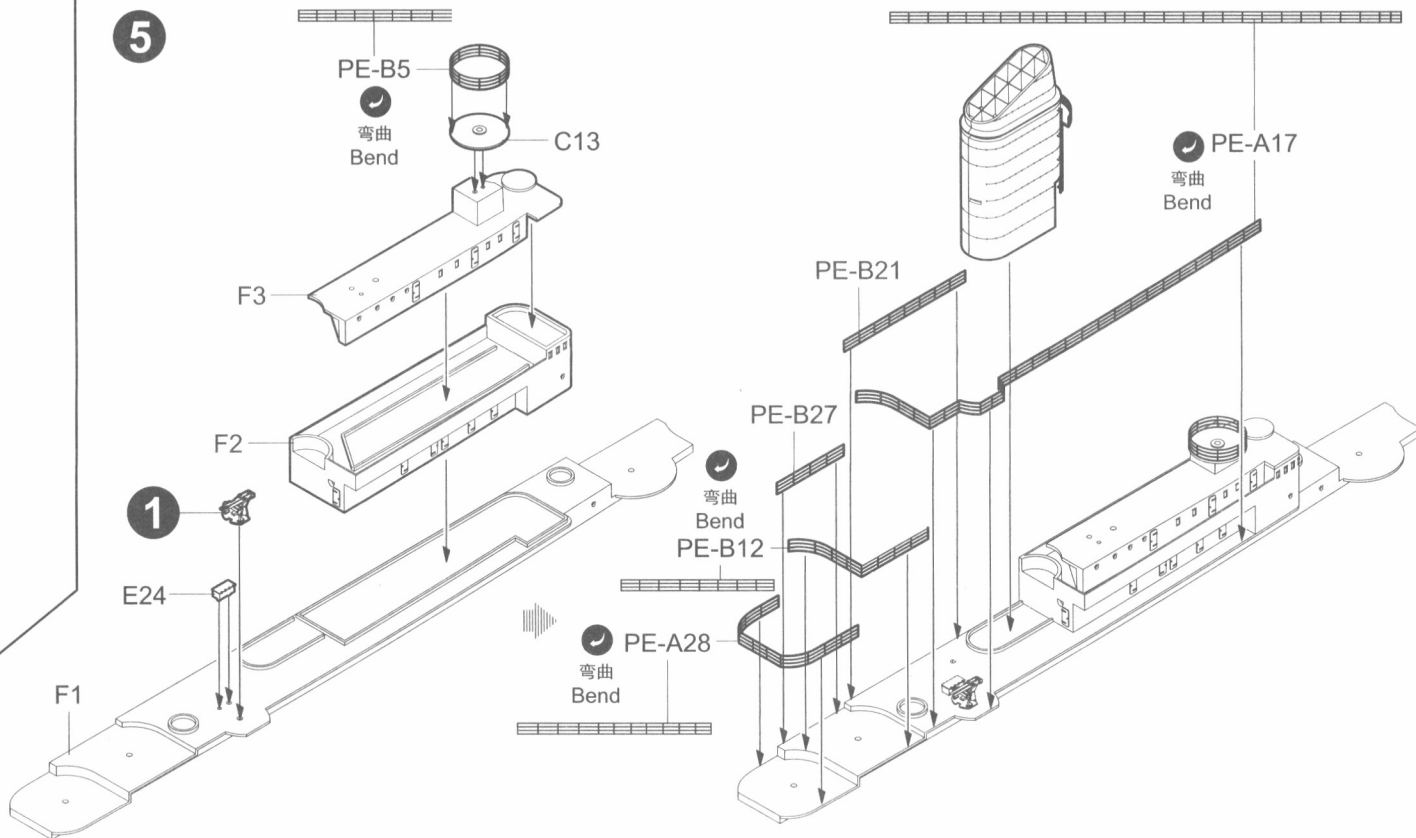


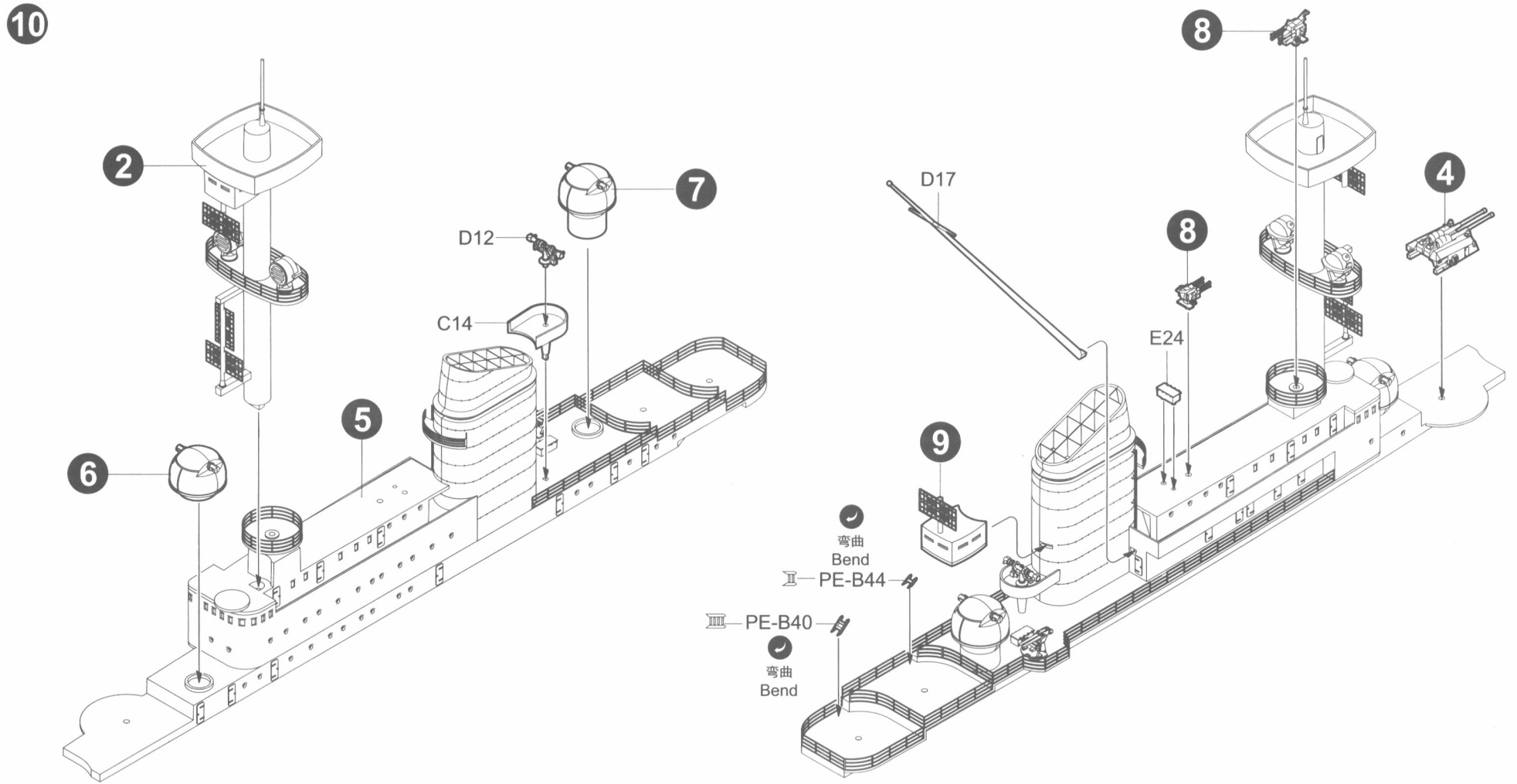
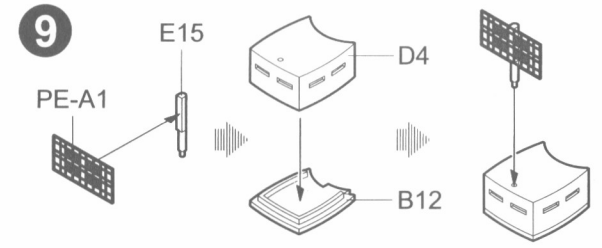
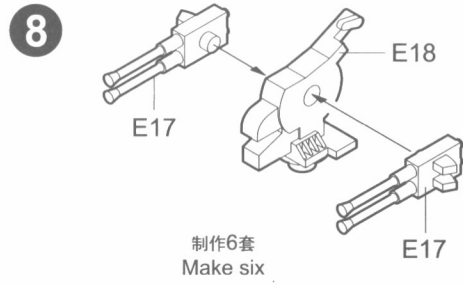
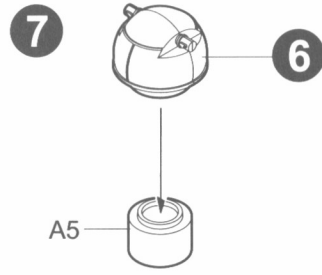
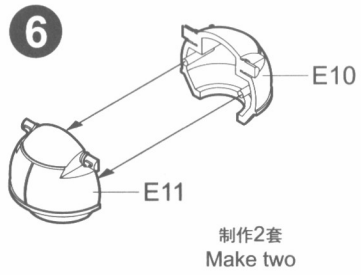
4



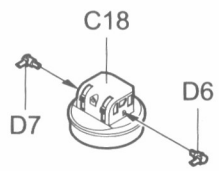
制作5套
Make five

5

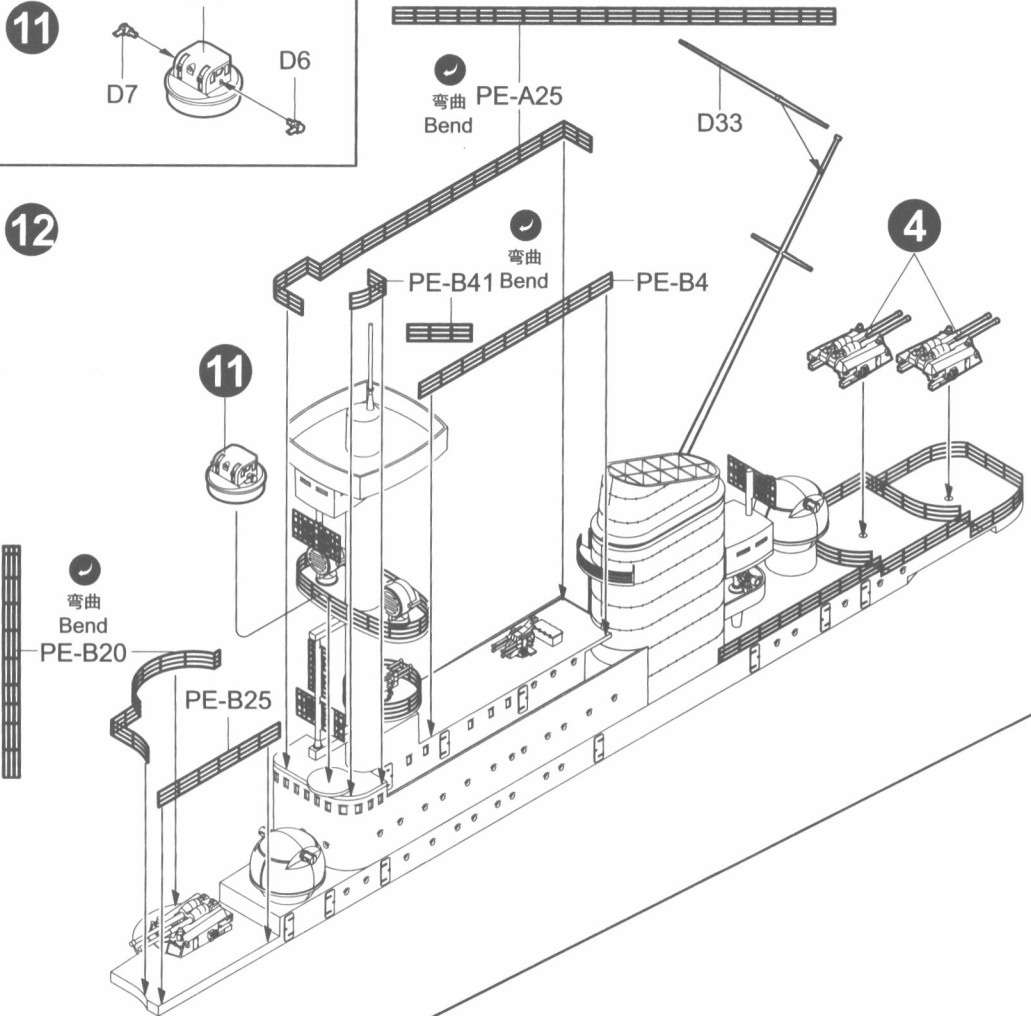




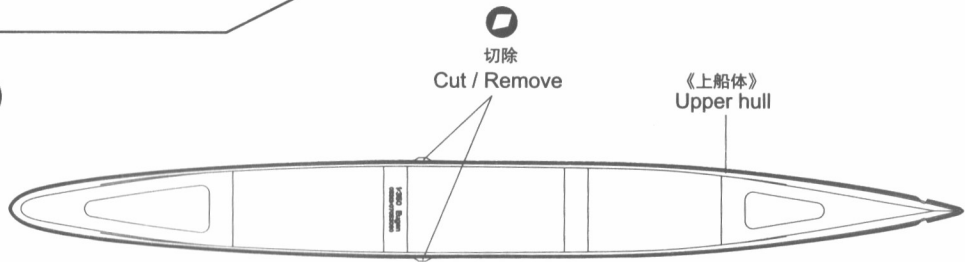
11



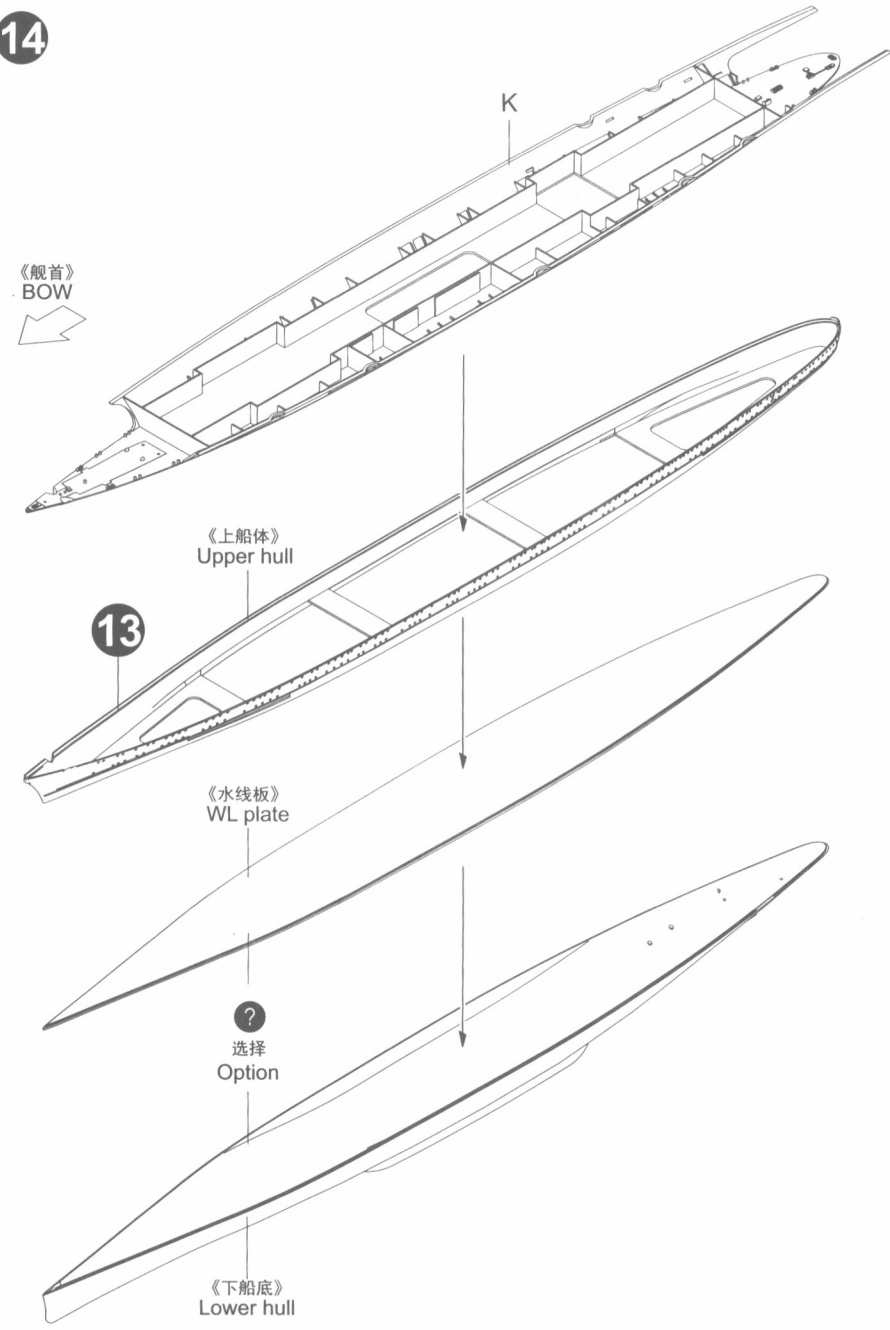
12

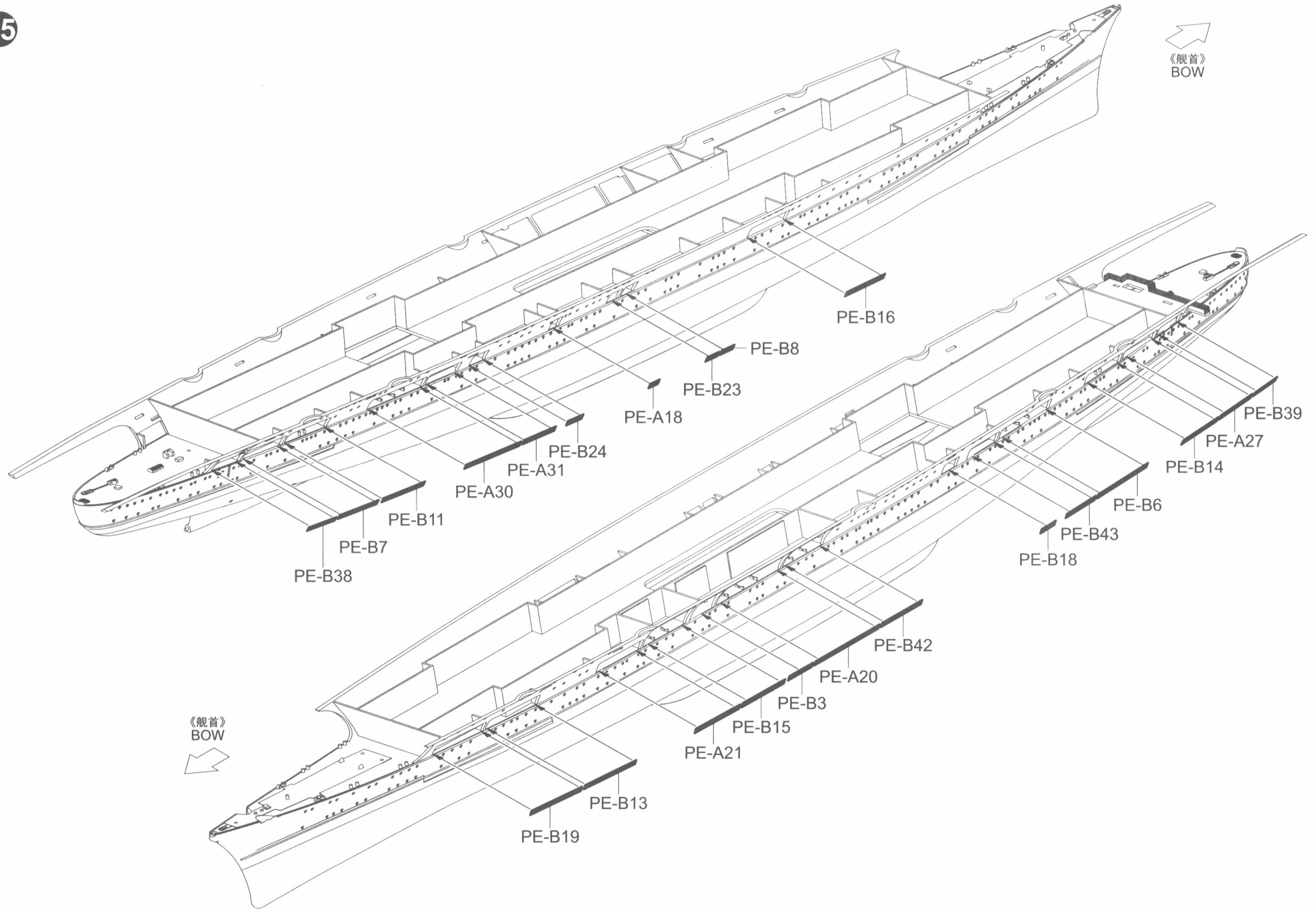


13



14





16

E3

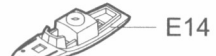


E5

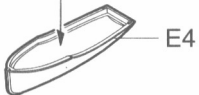


制作2套
Make two

17



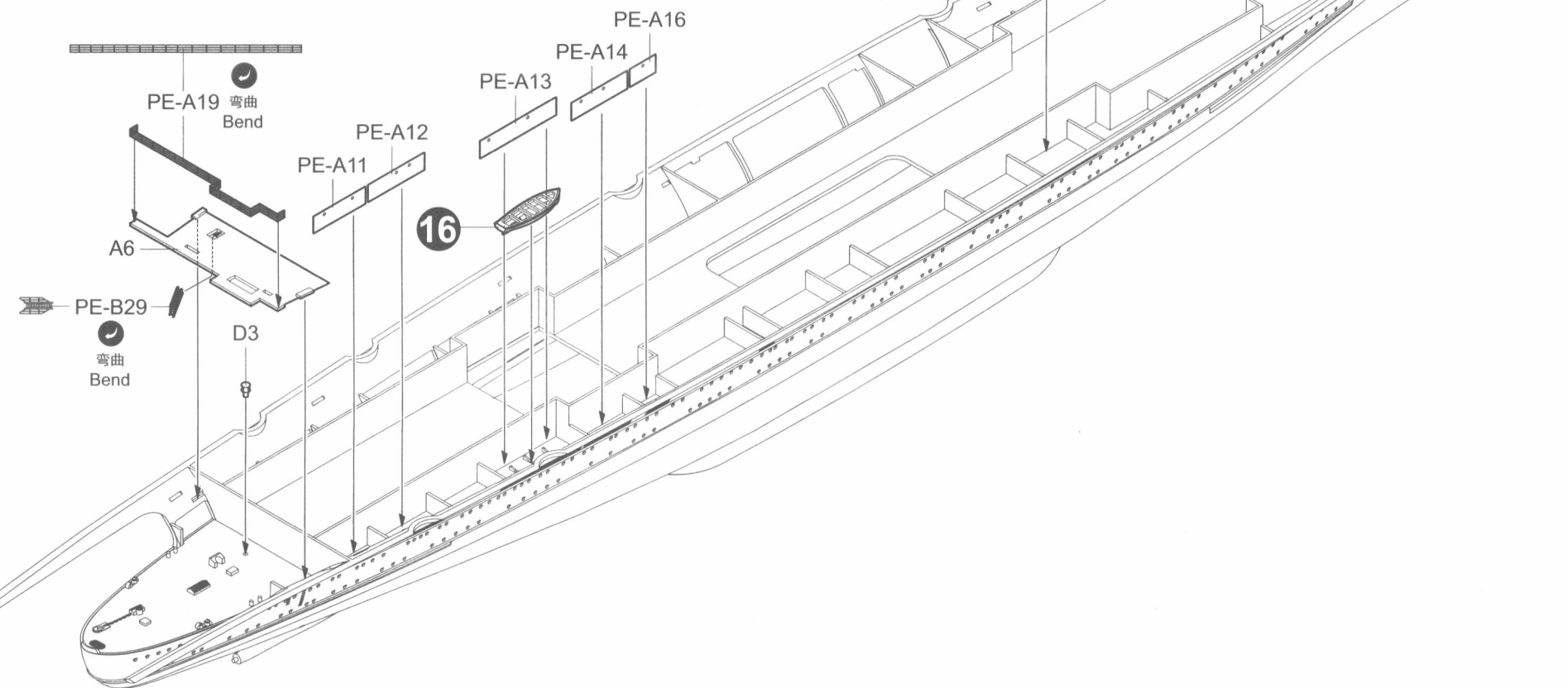
E14



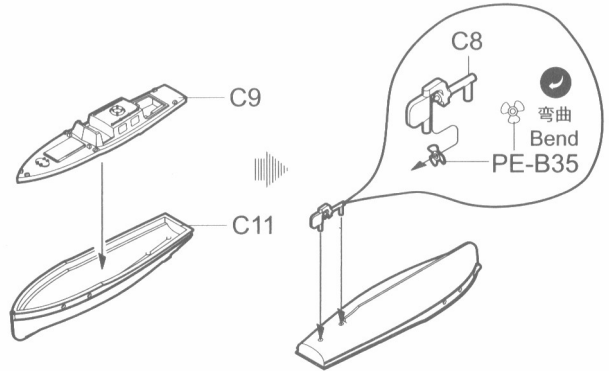
E4

制作2套
Make two

18



19

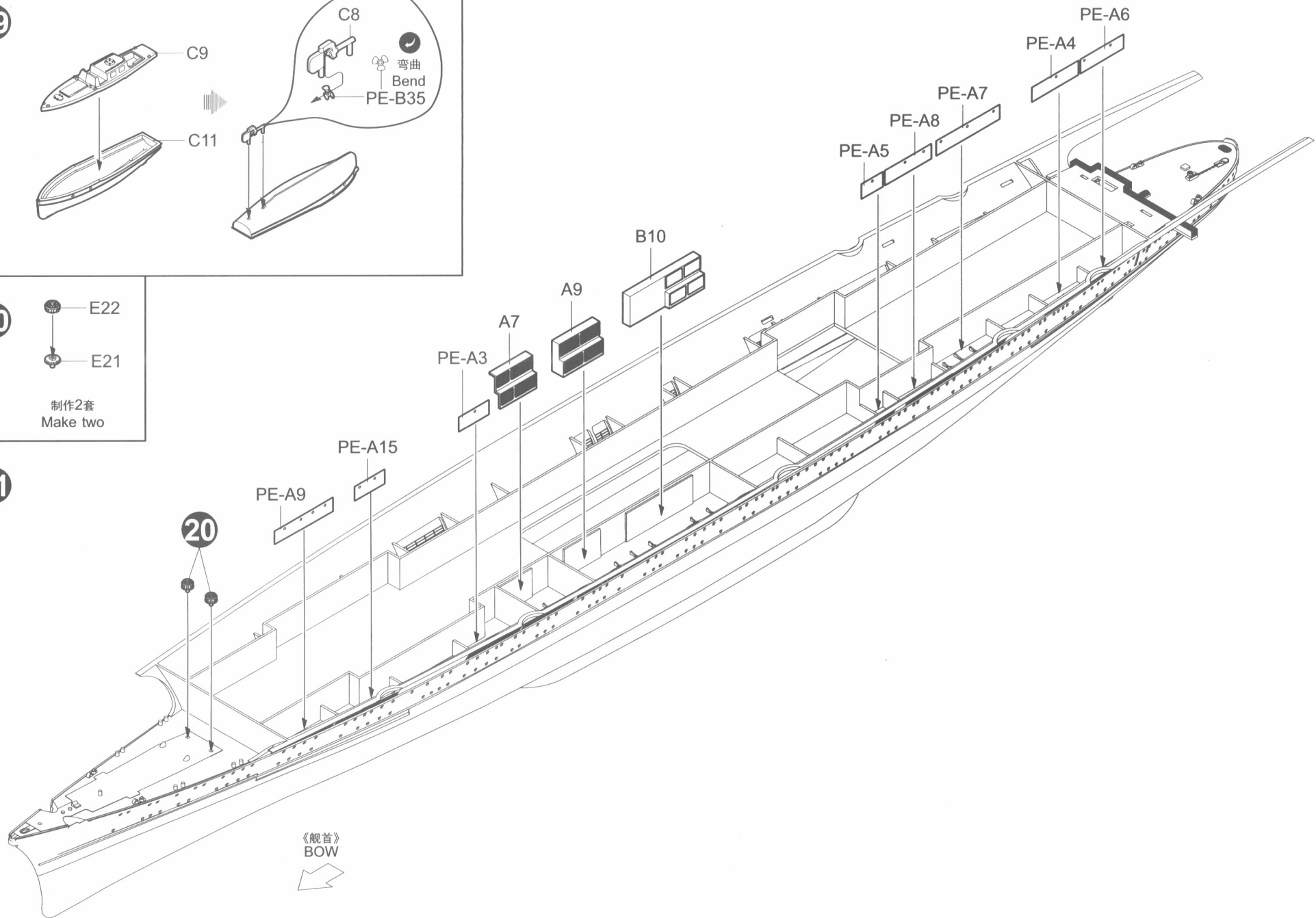


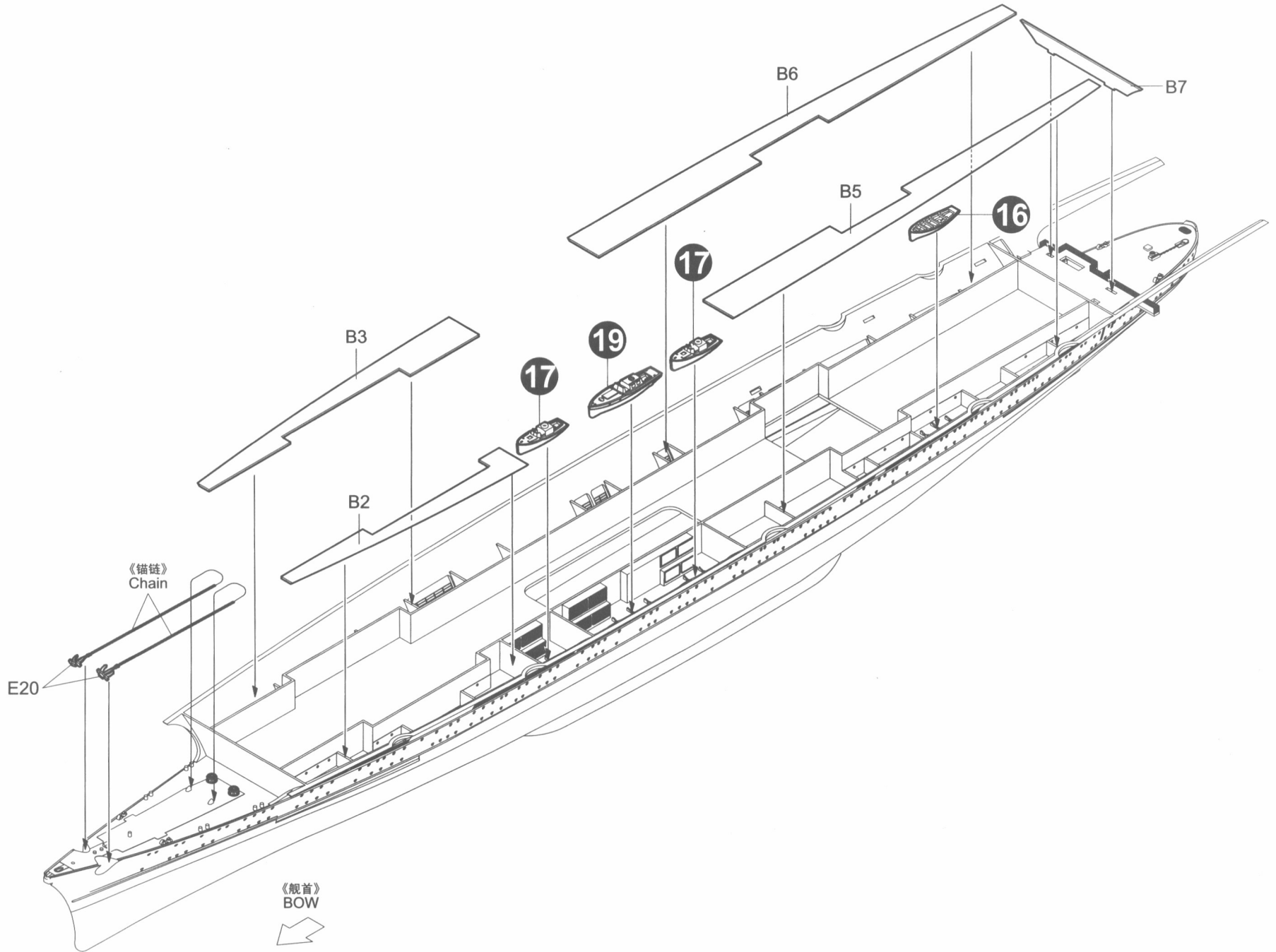
20

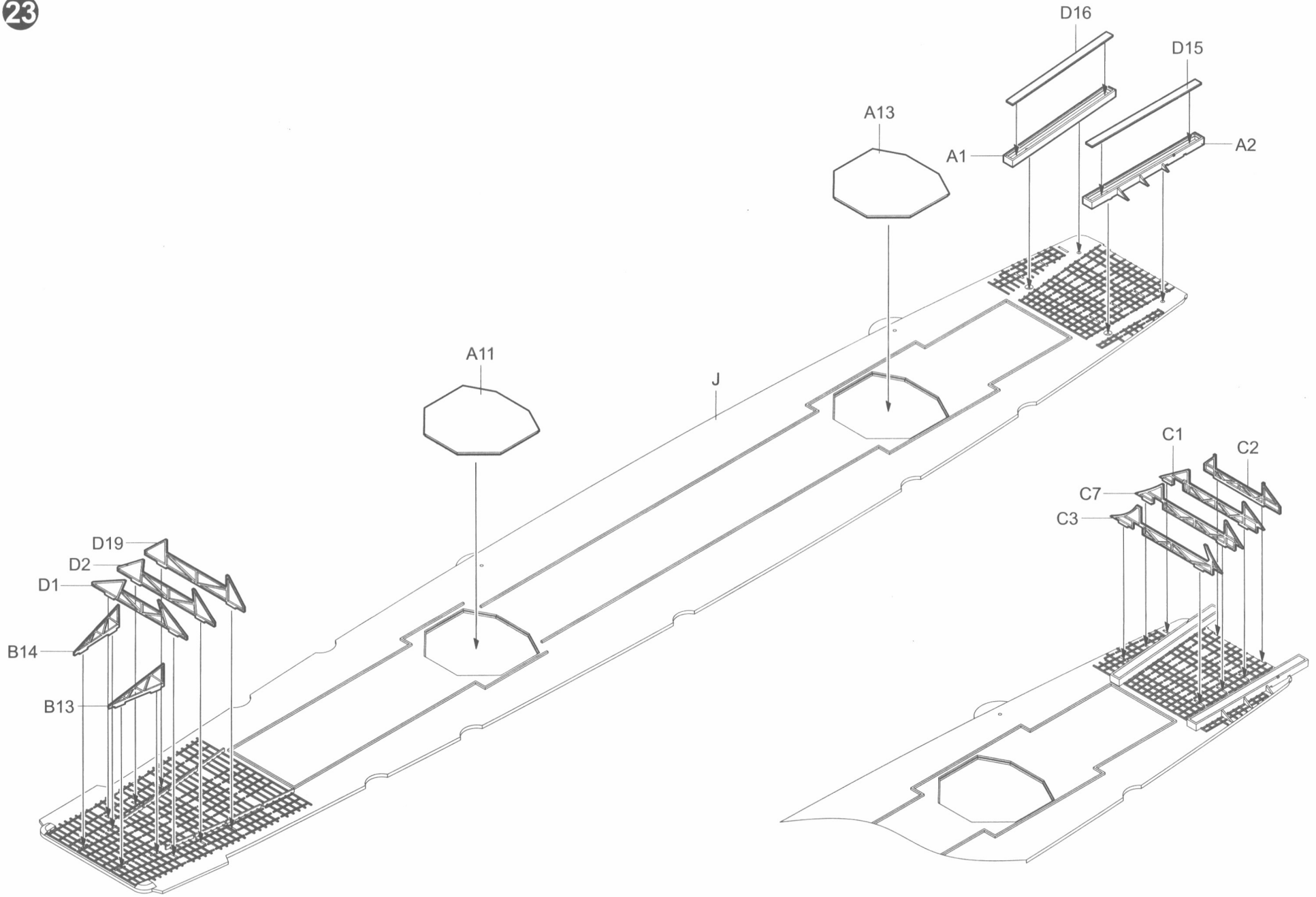


制作2套
Make two

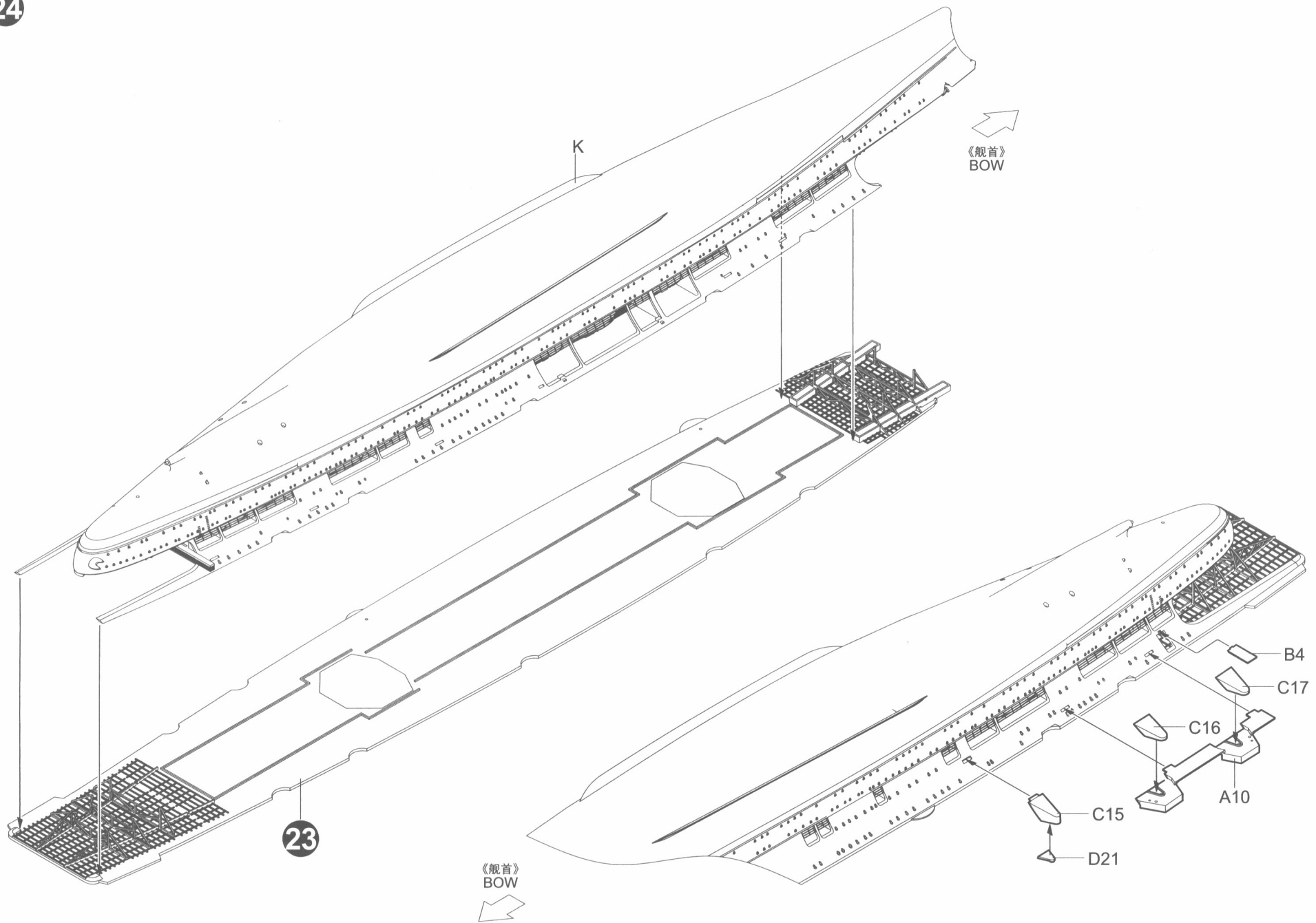
21



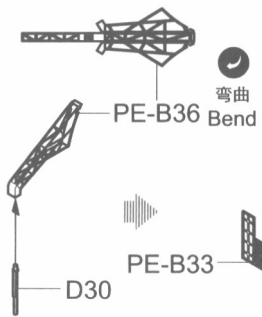




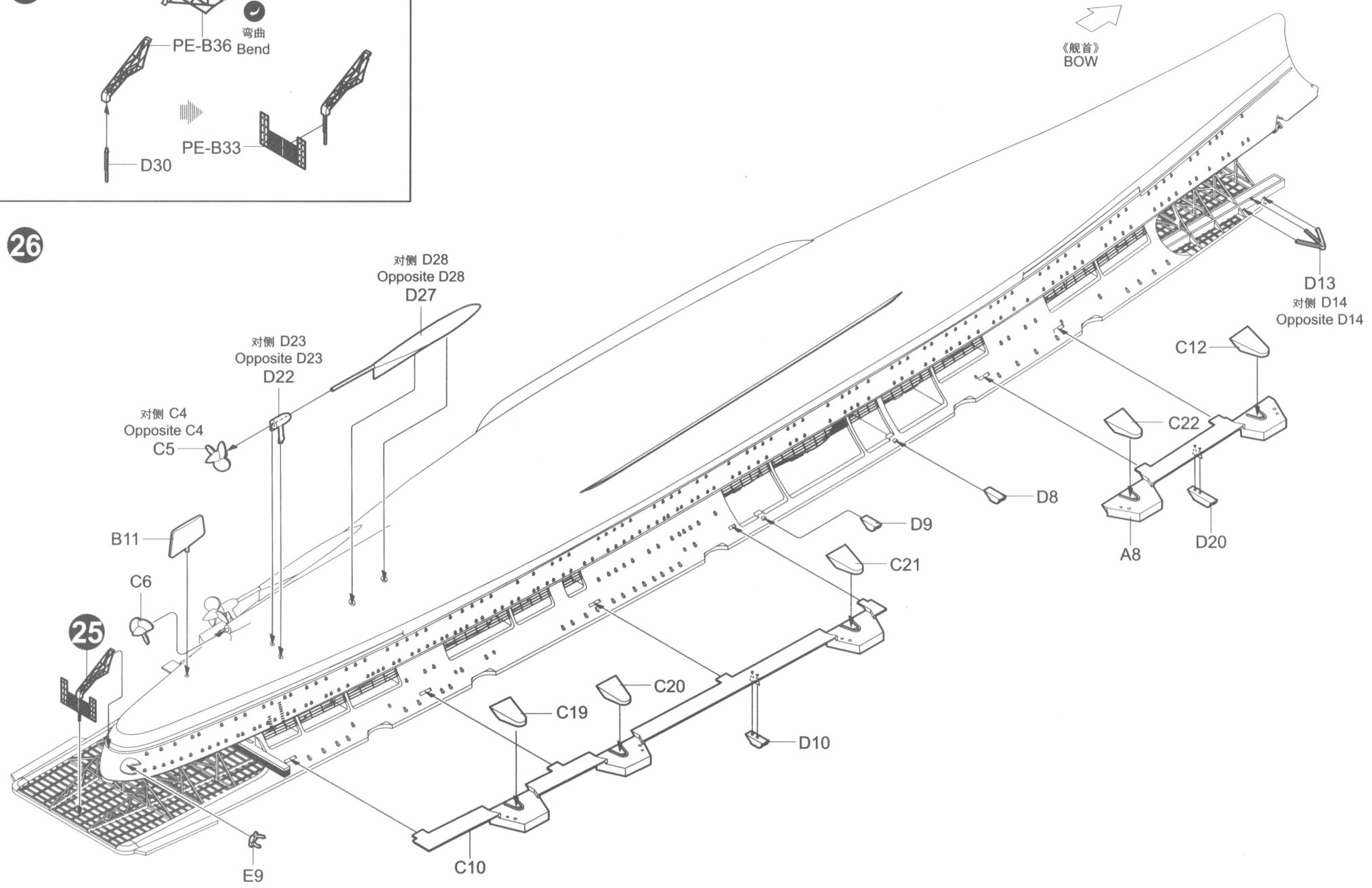
24



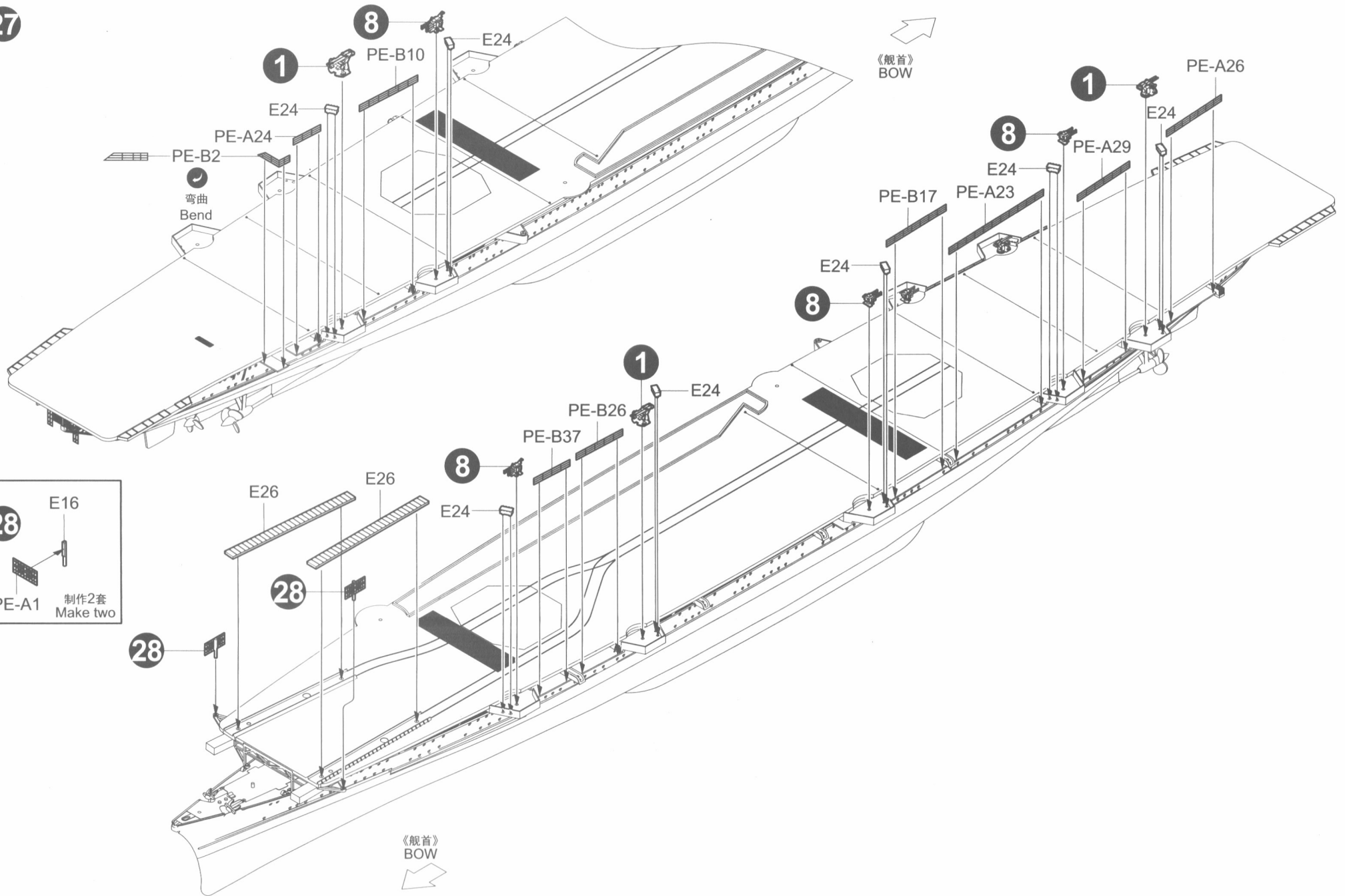
25



26



27



28



28

28

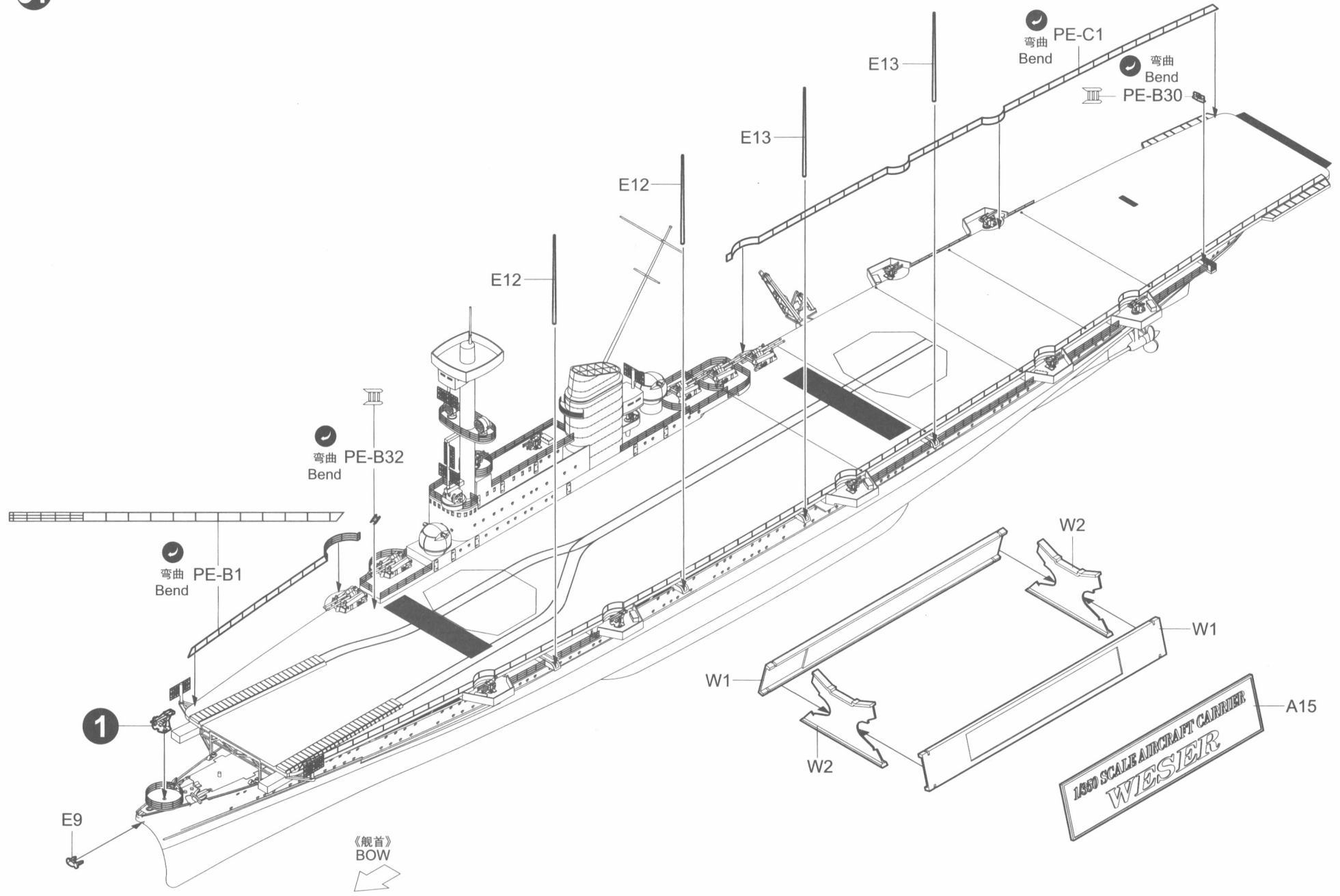
8

1

8

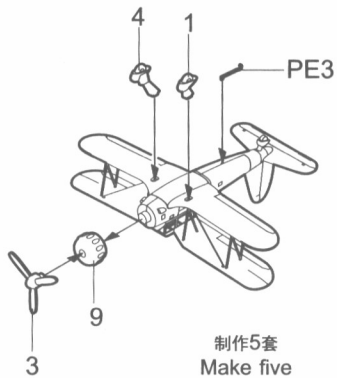
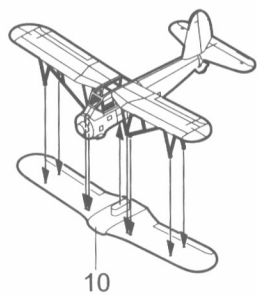
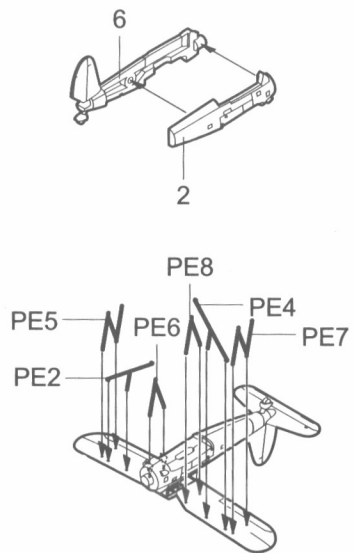
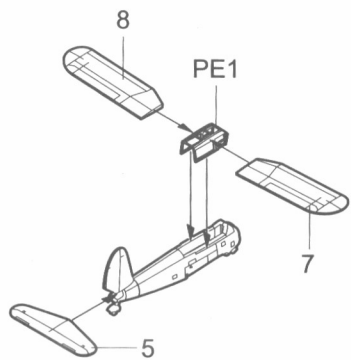
8

1



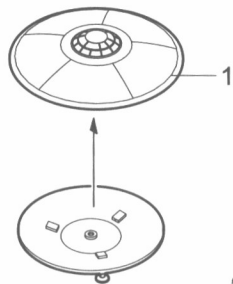
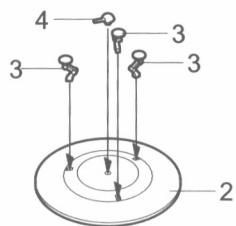
32

AR-195 的组装
Assembly of AR-195



33

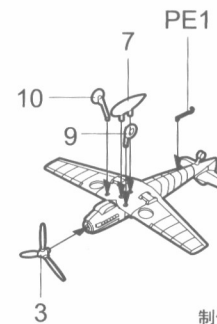
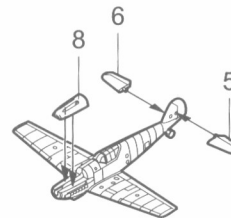
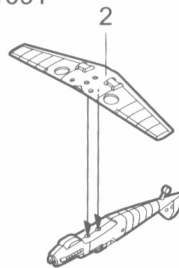
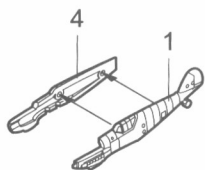
VRIL-1 的组装
Assembly of VRIL-1



制作2套
Make two

34

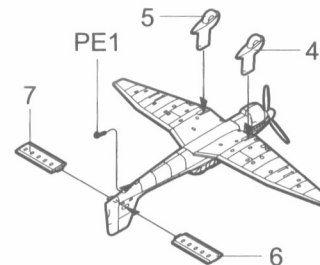
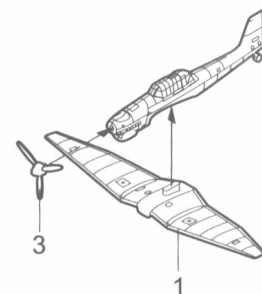
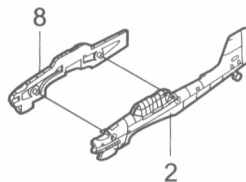
BF-109T 的组装
Assembly of BF-109T



制作5套
Make five

35

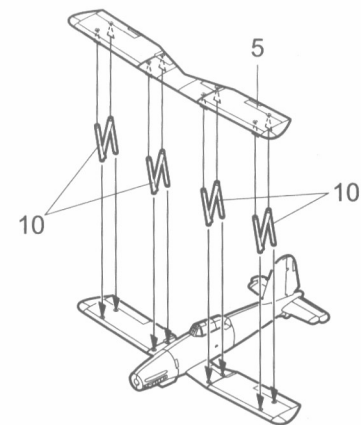
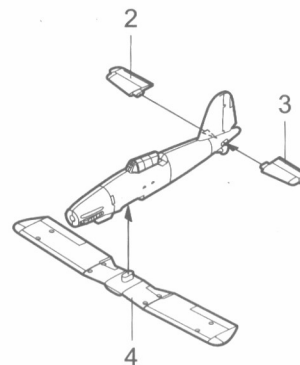
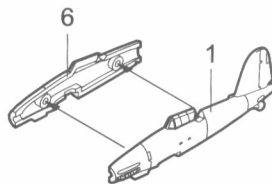
JU-87 的组装
Assembly of JU-87



制作5套
Make five

36

FI-167 的组装
Assembly of FI-167



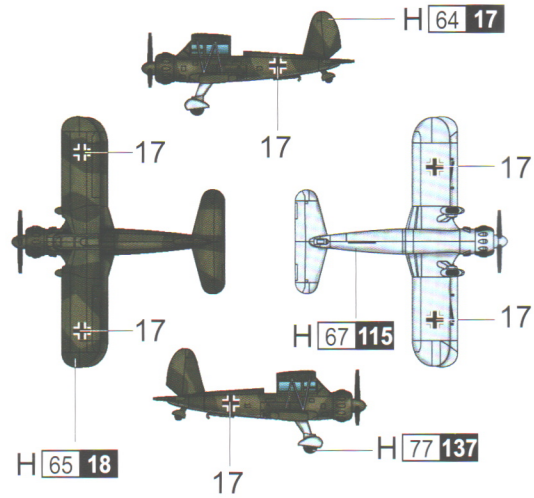
制作5套
Make five

涂装同标贴指示 Painting & Marking guide

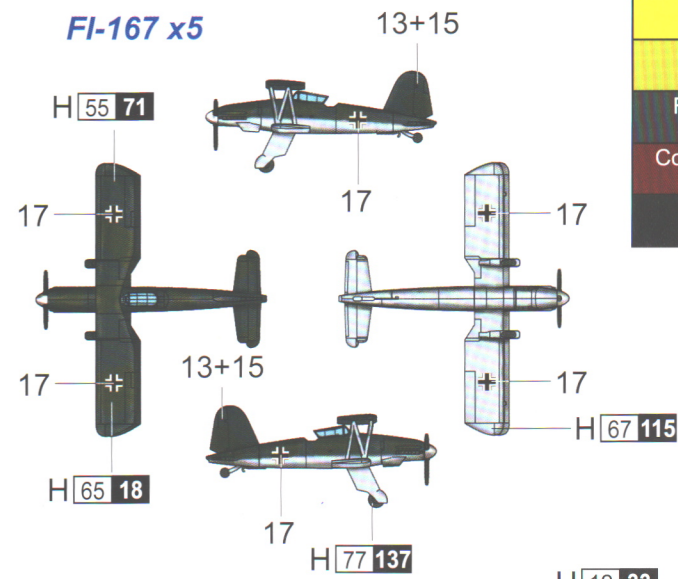
PAINT REFERENCE COLOR

Color	Mr.Hobby	Acrycion	Vallejo	Model Master	Tamiya	Humbrol	Color	Mr.Hobby	Acrycion	Vallejo	Model Master	Tamiya	Humbrol
White 白色	H 1 1	N 1	842	1745	X2	22	Tan 黄褐色	H 27 44	N 27	981	—	—	9
Yellow 黄色	H 4 4	N 4	953	1514	X8	69	Midnight Blue 藏蓝色	H 55 71	N 55	807	—	XF17	—
Gold 金色	H 9 9	N 9	878	1744	X12	16	RLM70 Black Green 墨绿色	H 65 18	N 65	897	—	XF27	91
Flat Black 消光黑	H 12 33	N 12	905	1749	XF1	33	RLM71 Dark Green 暗绿色	H 64 17	N 64	—	—	—	—
Cocoa Brown 舰底色	H 17 29	N 17	985	—	XF9	177	Light Blue 浅蓝色	H 67 115	N 67	906	—	XF23	65
Steel 黑铁色	H 18 28	N 18	864	1402	XF84	—	RLM02 Gray 德国灰	H 70 60	N 70	869	—	XF22	—
							Tire Black 胎黑色	H 77 137	N 77	—	—	XF85	—
							RLM04 Yellow 黄色	H 113	N 113	—	—	A78	—
							Medium Gunship Grey 灰色	H 305 305	N 305	868	1723	XF58	125
							Gray 灰色	H 308 308	N 308	990	1728	XF19	127

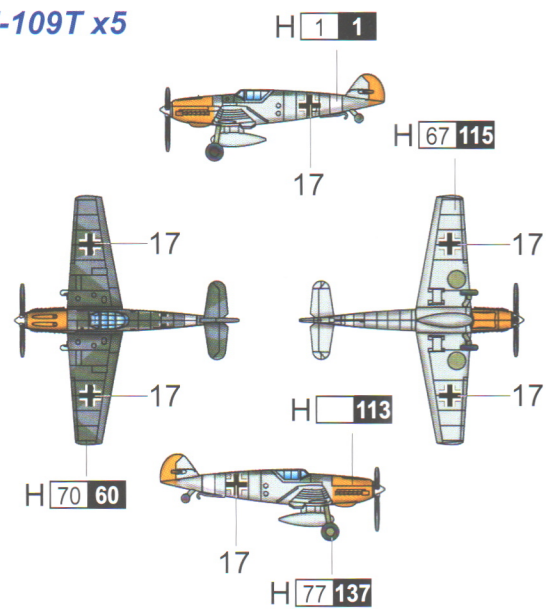
Ar-195 x5



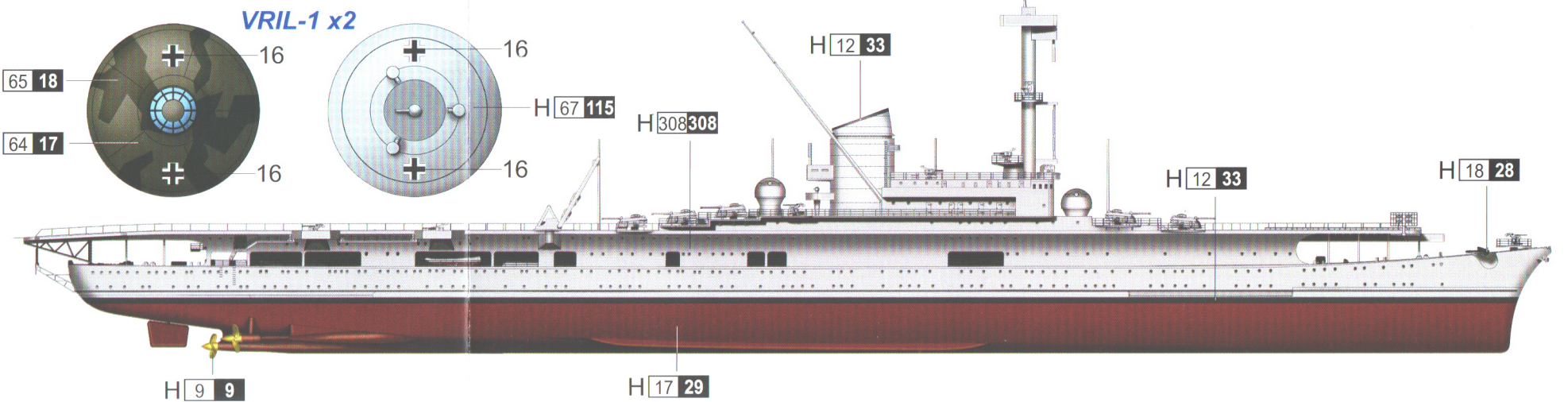
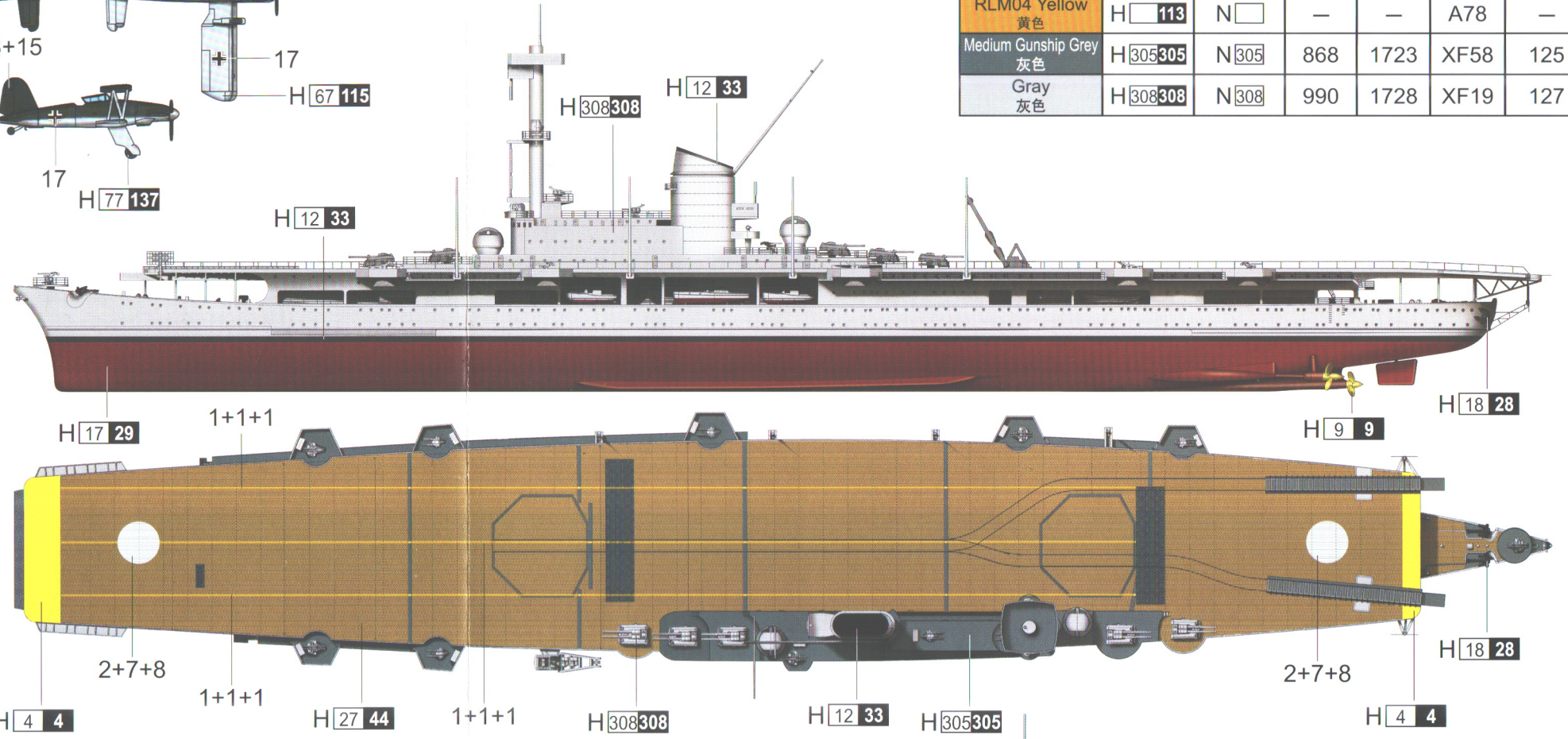
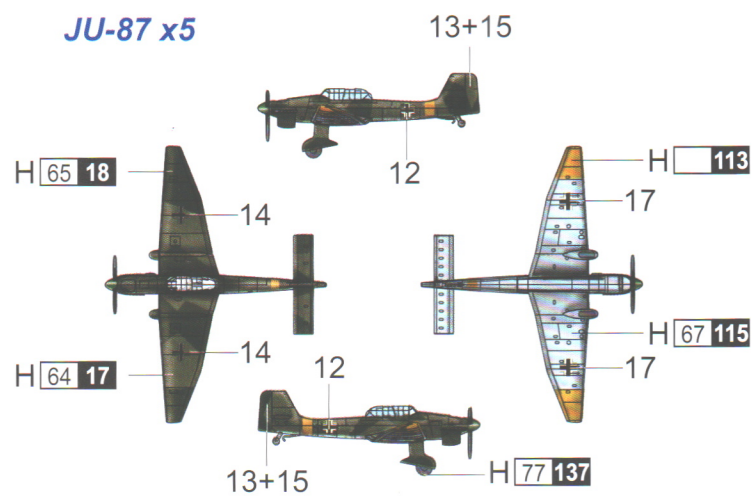
FI-167 x5



BF-109T x5



JU-87 x5



H AQUEOUS HOBBY COLOR Mr. COLOR N ACRYSION COLOR