

涂装同标贴指示

Painting & Marking guide

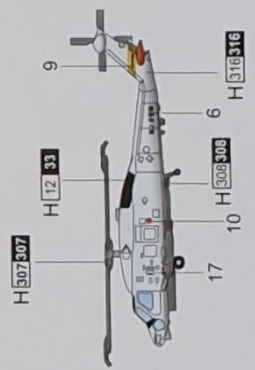
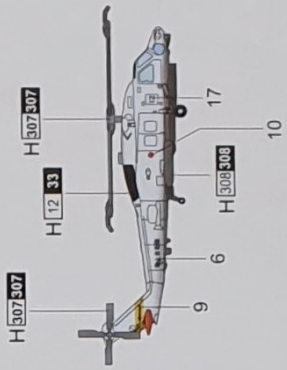
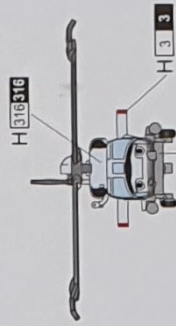
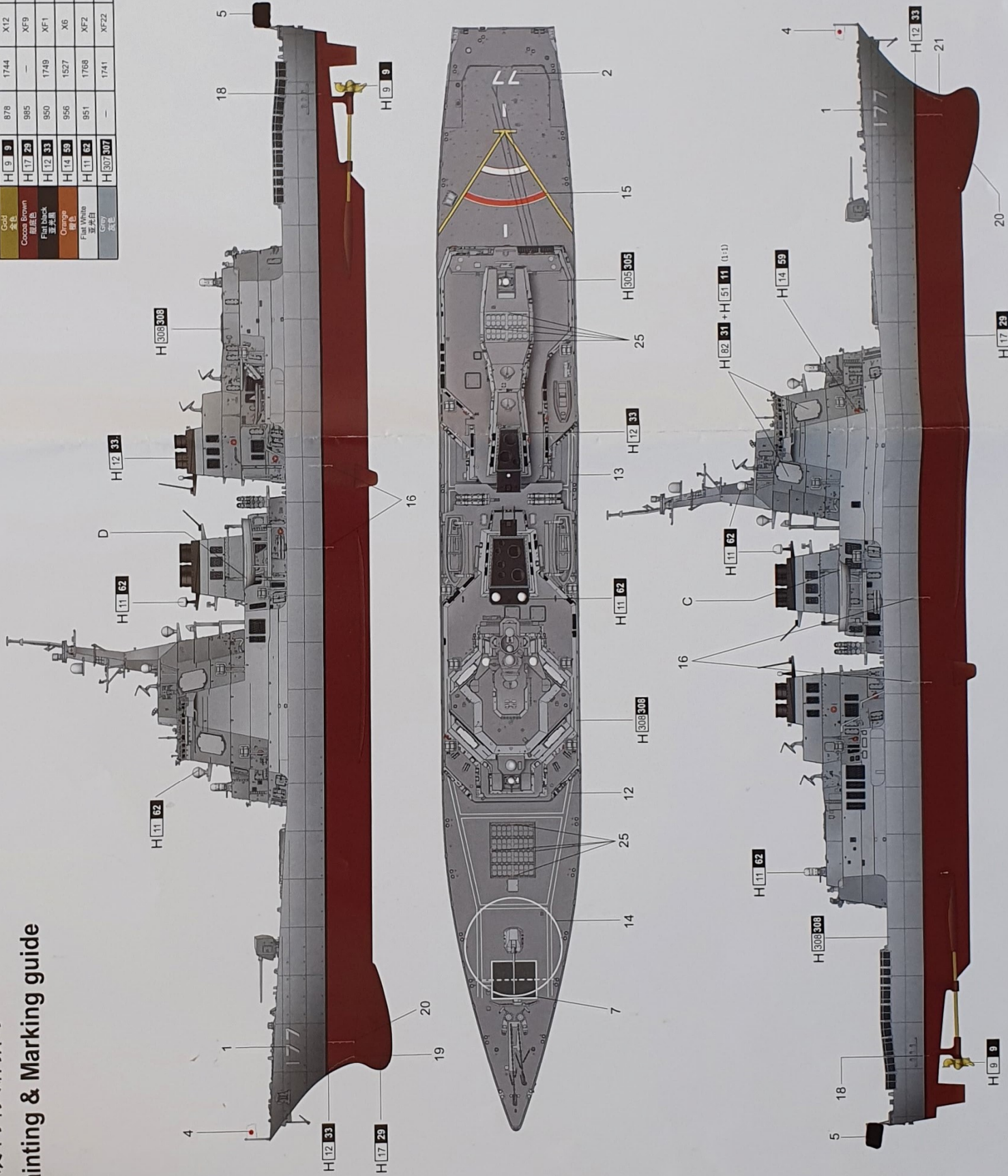
PAINT REFERENCE COLOUR

Color	Mr.Hobby	Valejo	Tamiya	Humbrol
Gold 金色	H 9 9	878	X12	16
Cocoa Brown 赭棕色	H 17 29	985	XF9	177
Flat black 亚光黑	H 12 33	950	XF1	33
Orange 橙色	H 14 59	956	X6	18
Flat White 亚光白	H 11 62	951	XF2	34
Grey 灰色	H 307 307	—	XF22	128

PAINT REFERENCE COLOUR

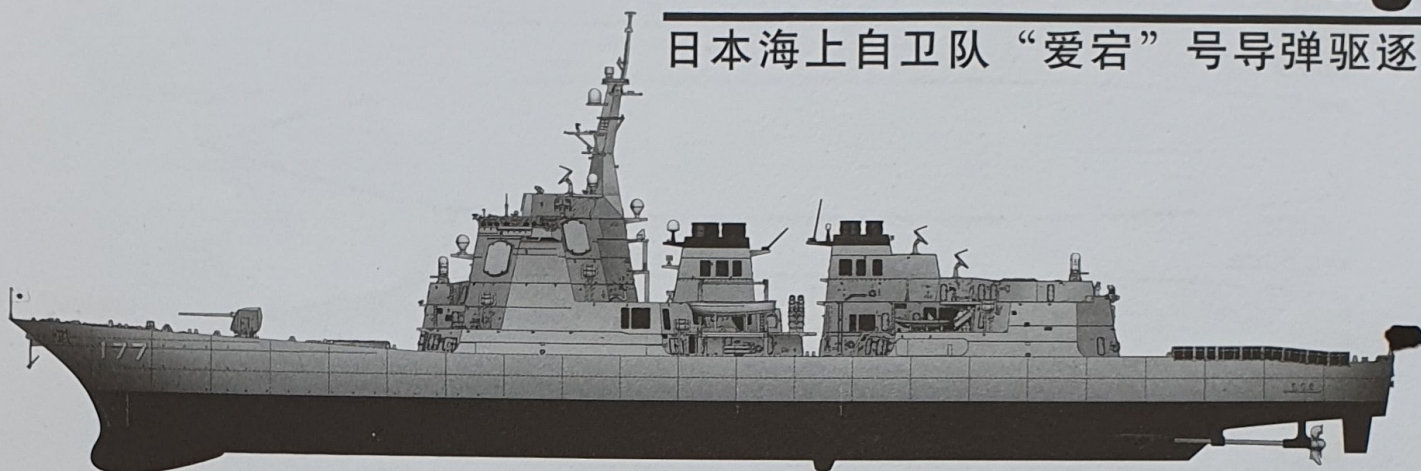
Color	Mr.Hobby	Valejo	Tamiya	Humbrol
Dark Grey(V) 深海军灰(军灰)	H 82 31	—	XF53	—
Red 红色	H 3 3	908	1903	X7
White insignia 白色	H 316 316	891	1745	X2
Military Grey 深灰色	H 305 305	868	1723	XF58
Grey 灰色	H 308 308	990	1728	XF19
Light Gulf Gray 浅灰色	H 51 11	—	—	—

SH-60K



JMSDF DDG-177 Atago

日本海上自卫队“爱宕”号导弹驱逐舰



READ BEFORE ASSEMBLY:

- This kit is not recommended for inexperienced modelers or for children under 14 years of age
- Study and understand these instructions thoroughly before beginning assembly
- When needed, remove photo-etch parts carefully using a modeling knife or photo etch sprue cutter, being careful not to damage or lose small parts.
- Take extra care in handling photo etch parts in order to avoid injury
- Apply instant cement sparingly to photo etch parts where instructed
- Tools recommended(not included in kit):Plastic and instant cements,sprue cutters,long nose pliers,,modeling knife, small files, tweezers, pin vise & scissors. Soft cloth and sandpaper will also assist in construction
- Glue and paint are not included in the kit. Use plastic cement and hobby paints only. Color guide for purchasing paint is included in the kit.
- Keep out of reach of children. They must not be allowed to ingest small parts or handle plastic bags in any way.

装配之前仔细阅读

- 小心用模型锉刀锉平所有零件表面的注射浇口。
- 小心用刀片切下蚀刻片零件，不要遗失小零件。
- 用强力快干胶水粘合蚀刻片零件和金属轴。过量的快干胶水使用可能导致可动零件会粘住，小心涂胶。
- 取蚀刻片时应特别注意安全，防止利边划伤手指。
- 某些零件表面需贴水贴纸，请选择在装配的同时进行。
- 推荐模型工具(自备)：胶水，水口剪刀，长咀钳，刀片，锉刀，镊子，钳，钻，剪刀，瞬间快干胶。
- 软布同砂纸同时也应该是必备工具。
- 请使用塑料胶水和油漆，模型内不含。
- 谨防小孩吸吮塑料零件，或者将塑料袋套在头上，制作时应将套材远离小孩接触。
- 本产品不适合14岁以下没有经验的模型爱好者。



cyanoacrylate glue
使用强力胶



weight
配重



make hole
钻孔



cut / remove
切除



bend
弯曲



file / sand
锉平



option
选择



no cement
不涂胶水



decal
贴纸

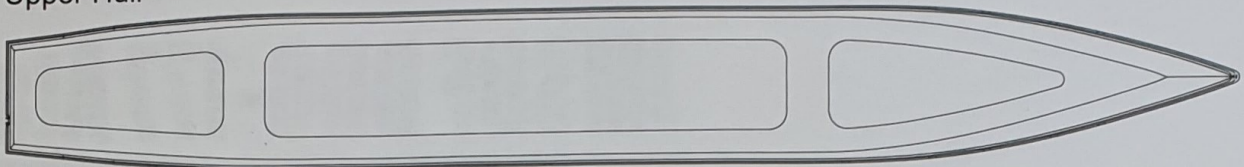
水贴纸的使用:

1. 从水贴纸上剪下印花;
2. 将印花放入温水中浸10秒, 然后放在干净布上。
3. 拿着印花纸将印花移到模型上;
4. 手指蘸水将印花移到适当的位置;
5. 用软布轻压印花直至水干, 气泡消失。

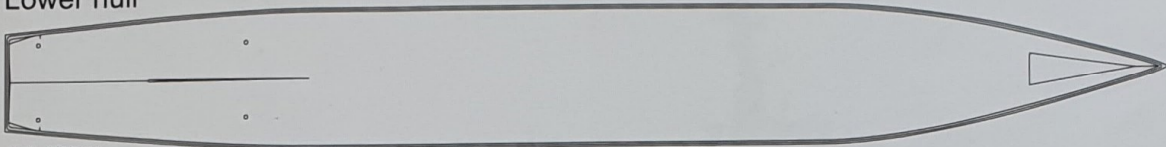
DECAL APPLICATION:

1. Cut decals from sheet as needed
2. Dip the decal in warm water for about 10 seconds and then place on soft clean cloth.
3. Hold the decal backing sheet edge and gently slide the decal onto the model in its proper position.
4. While still wet, decal can be adjusted for better fit on model by dampening it gently with your finger.
5. When placed in the proper position, gently press decal down with a soft cloth until excess water and air bubbles are gone.
6. Allow decal to dry completely before handling model

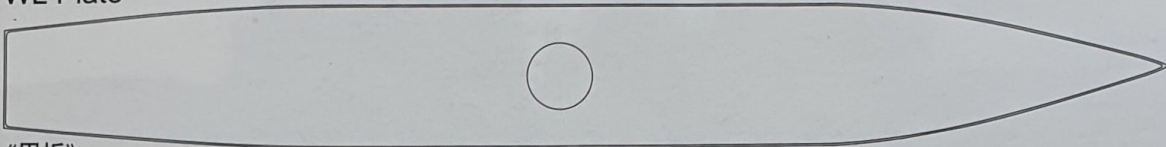
部品图 《上船体》
Parts Upper Hull



《下船底》
Lower hull



《水线板》
WL Plate



《甲板》
Deck

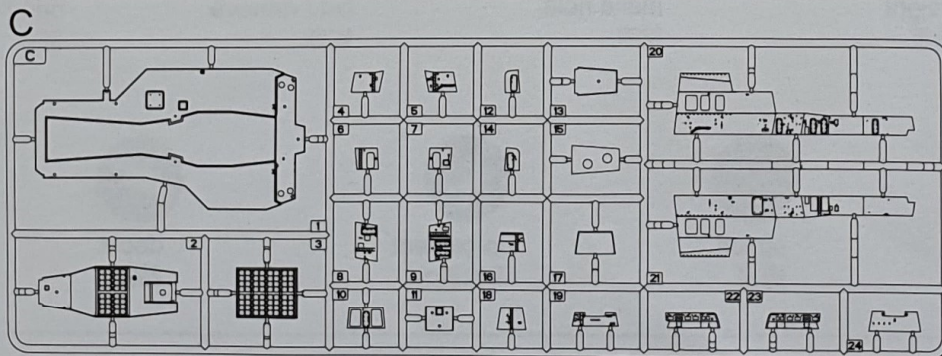
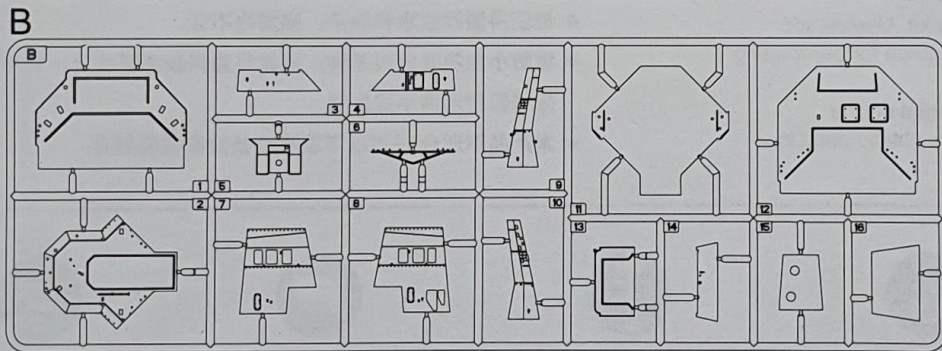
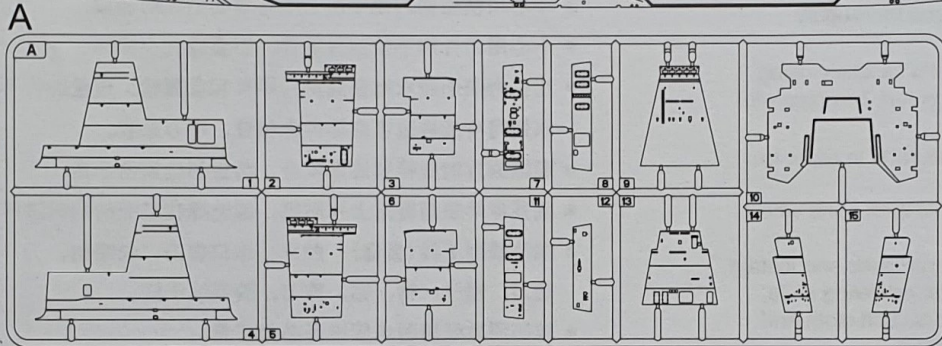
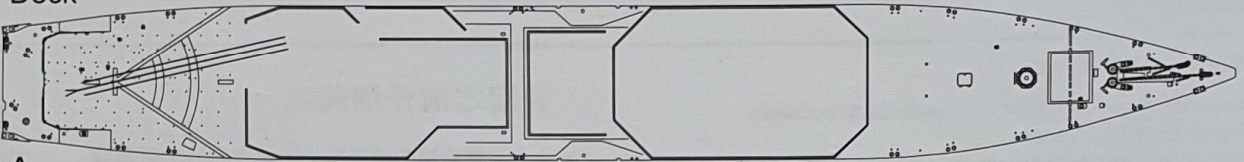


Photo Etched (A)

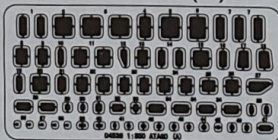
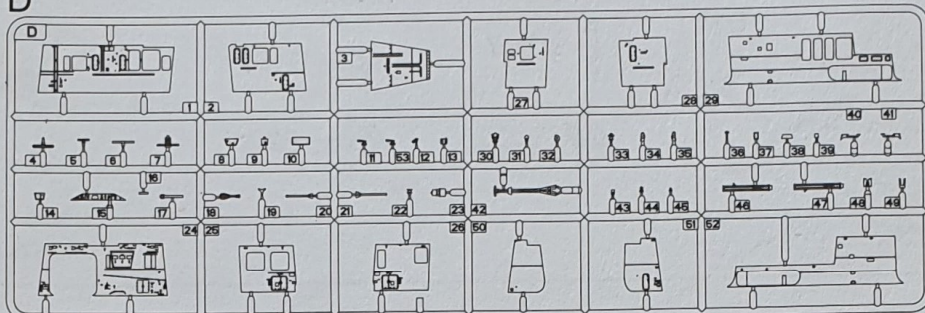


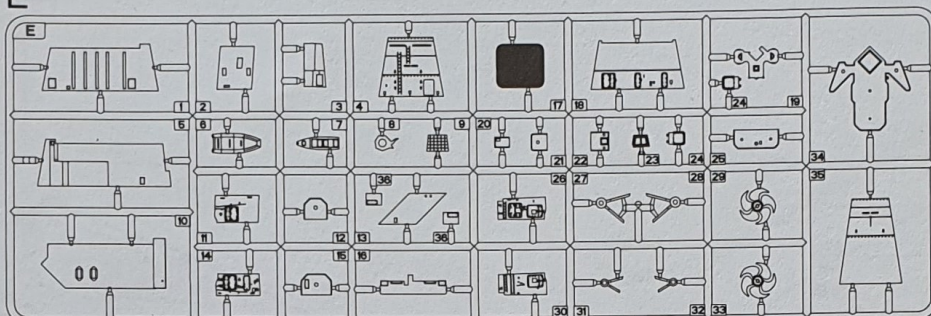
Photo Etched X 2(B)



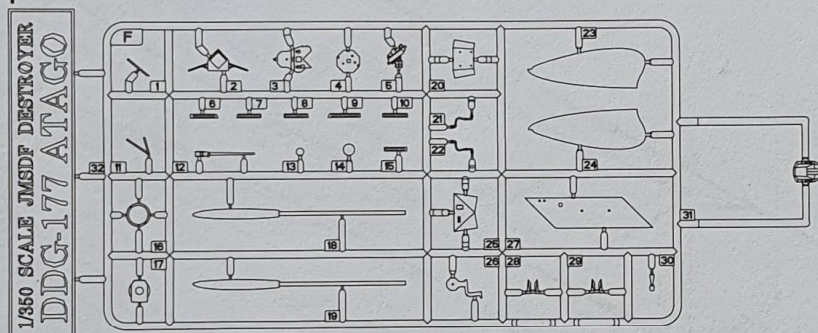
D



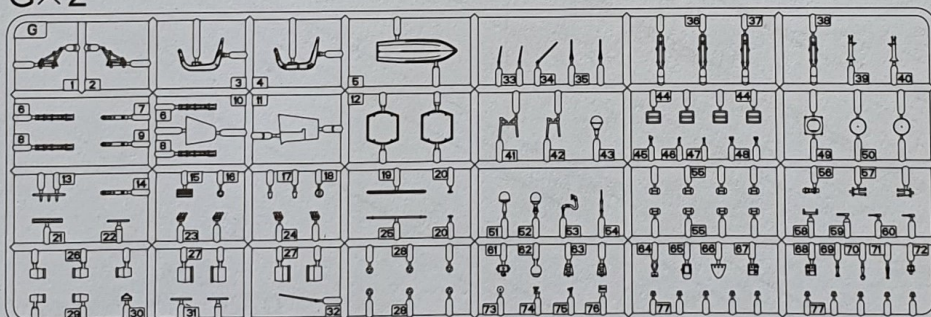
E



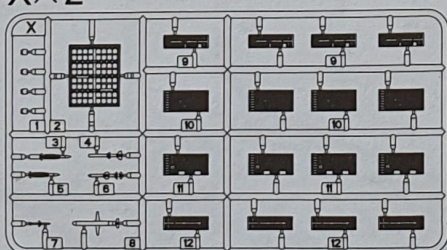
F



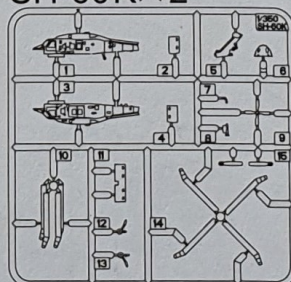
G X 2



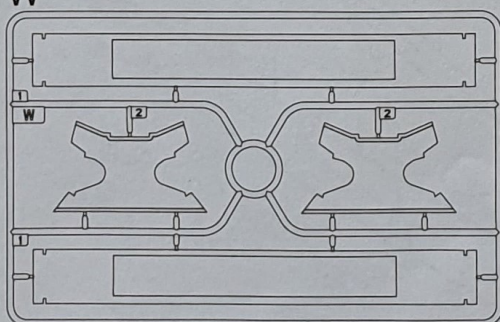
X X 2



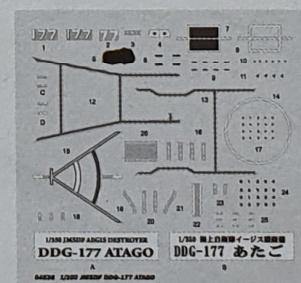
SH-60K X 2



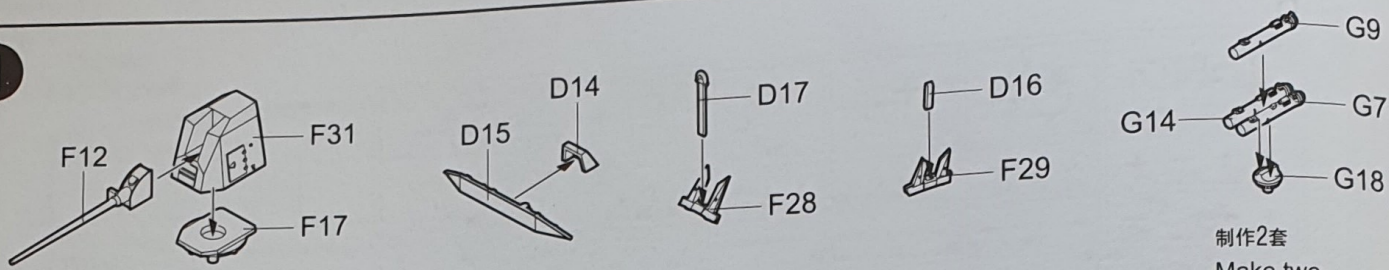
W



《水貼》
Decal

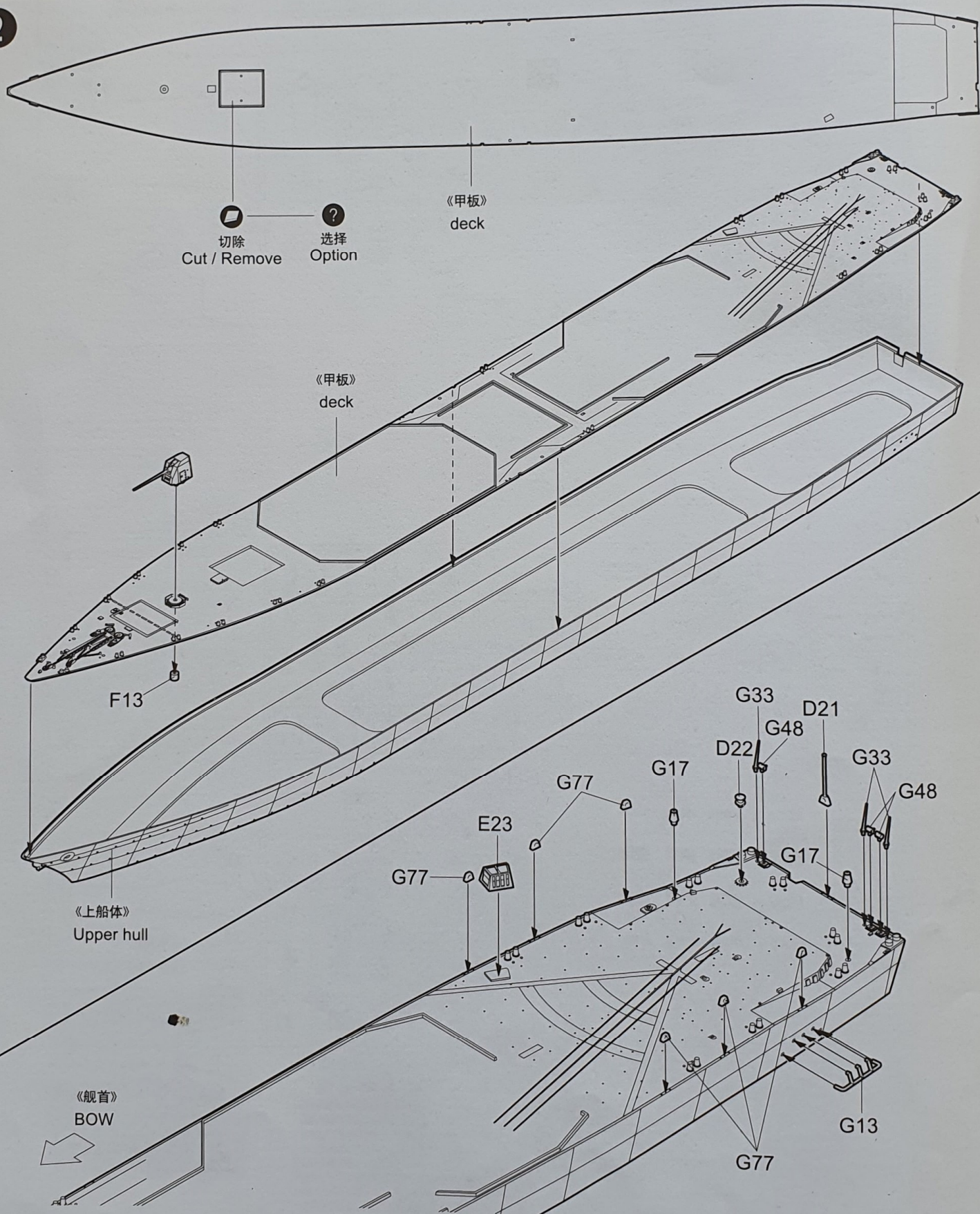


1

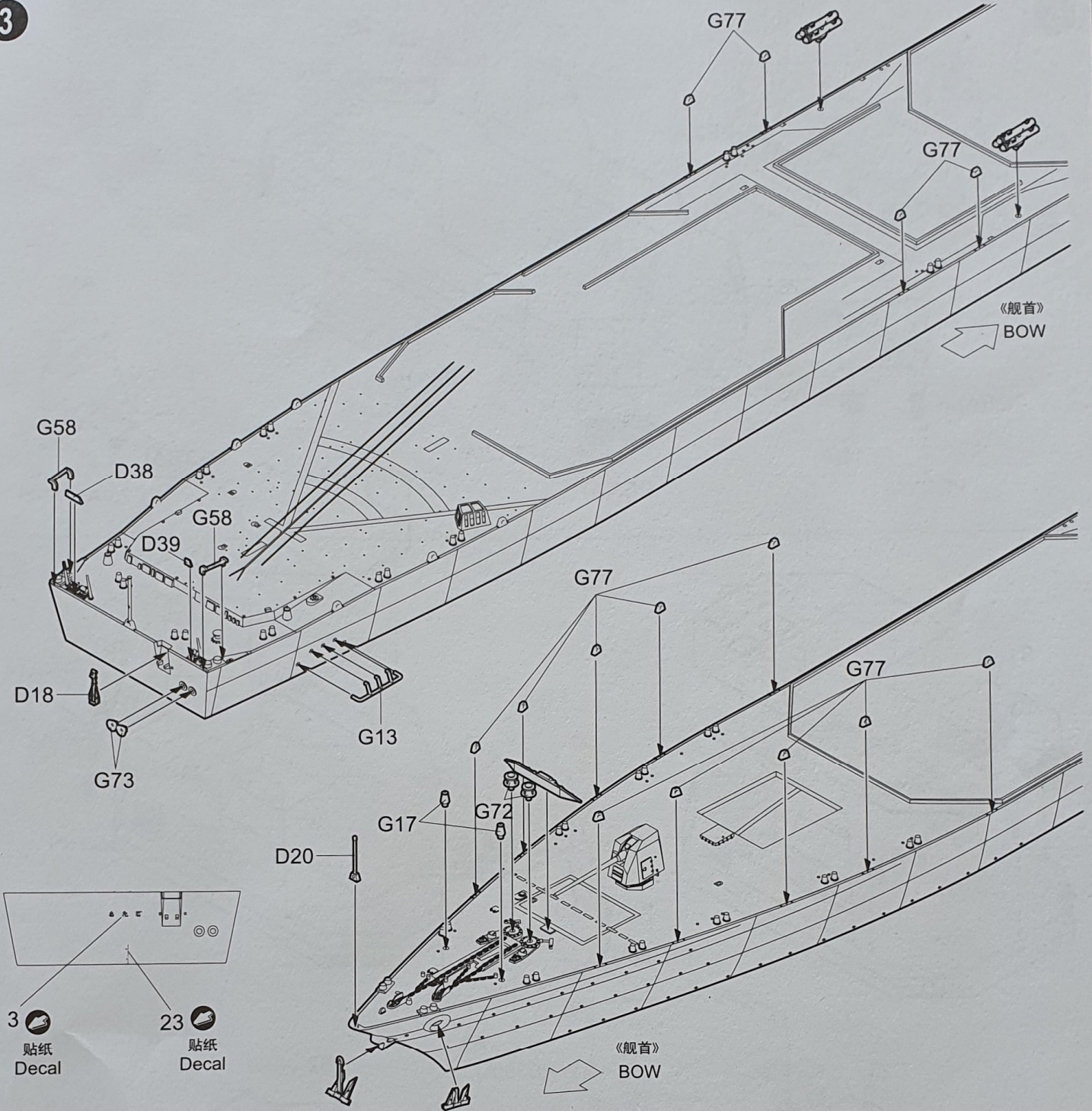


制作2套
Make two

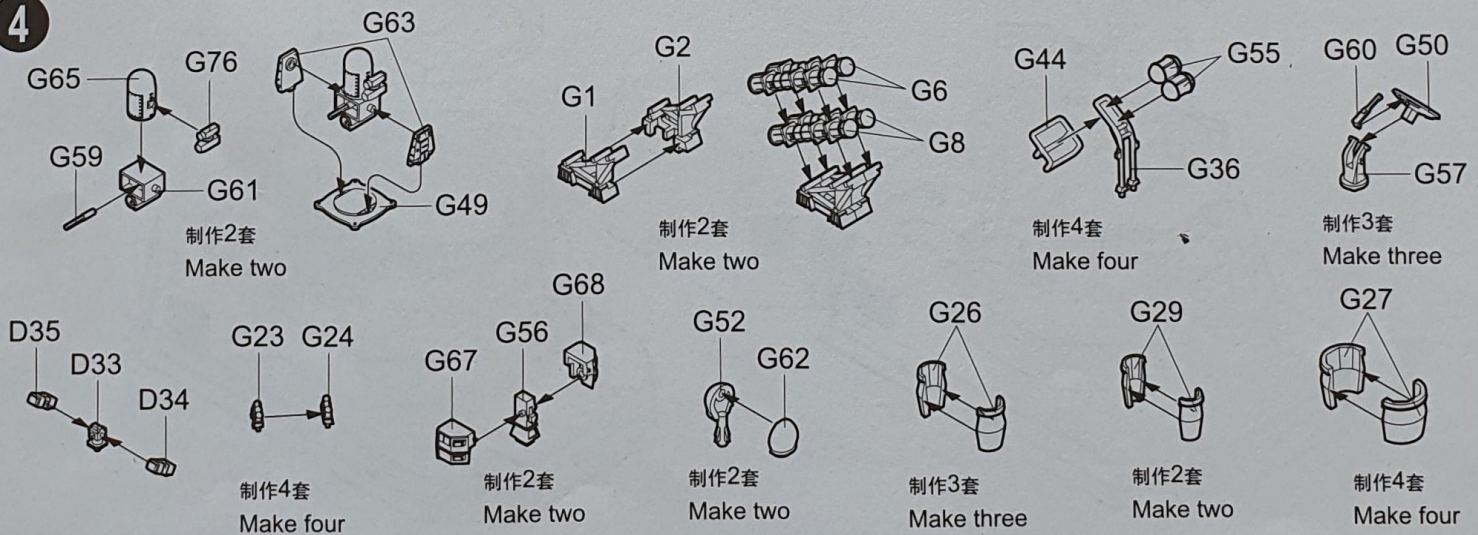
2



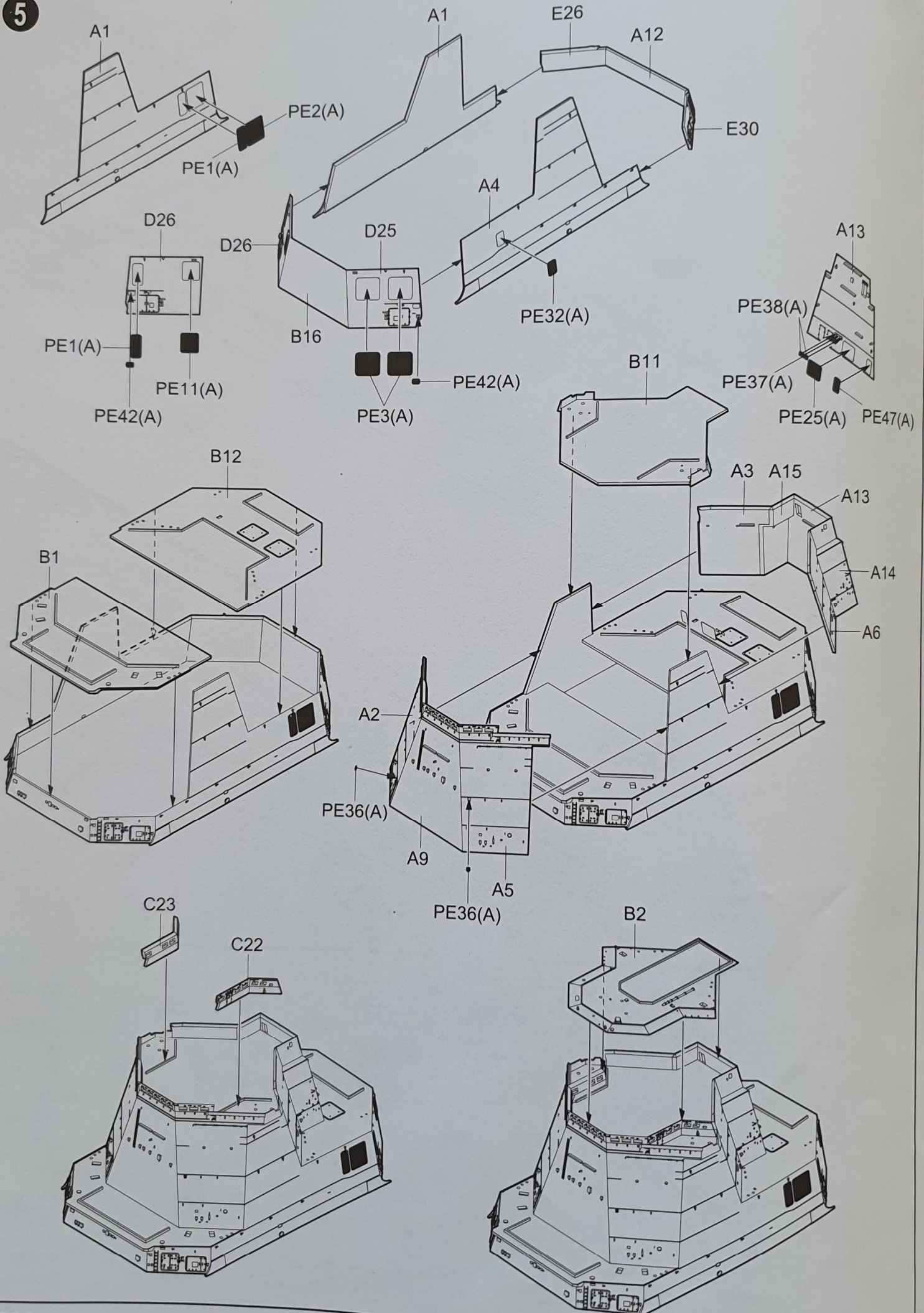
3



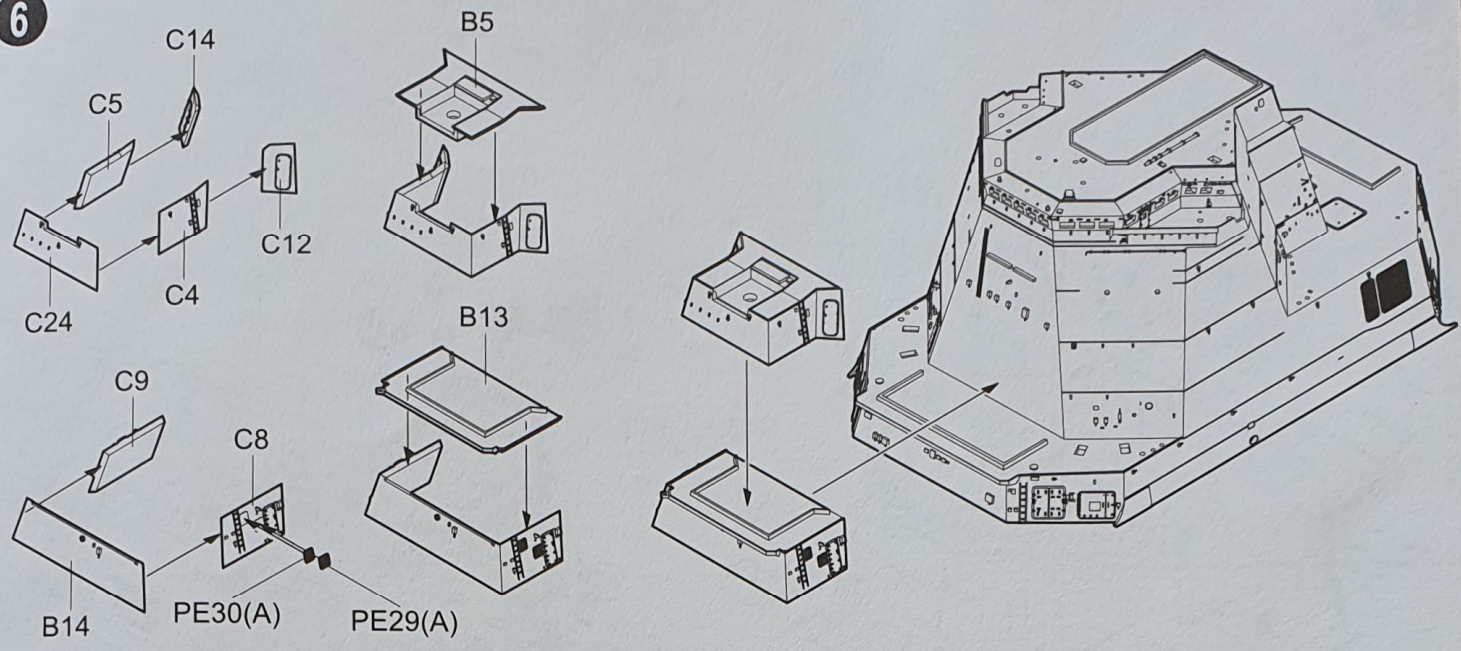
4



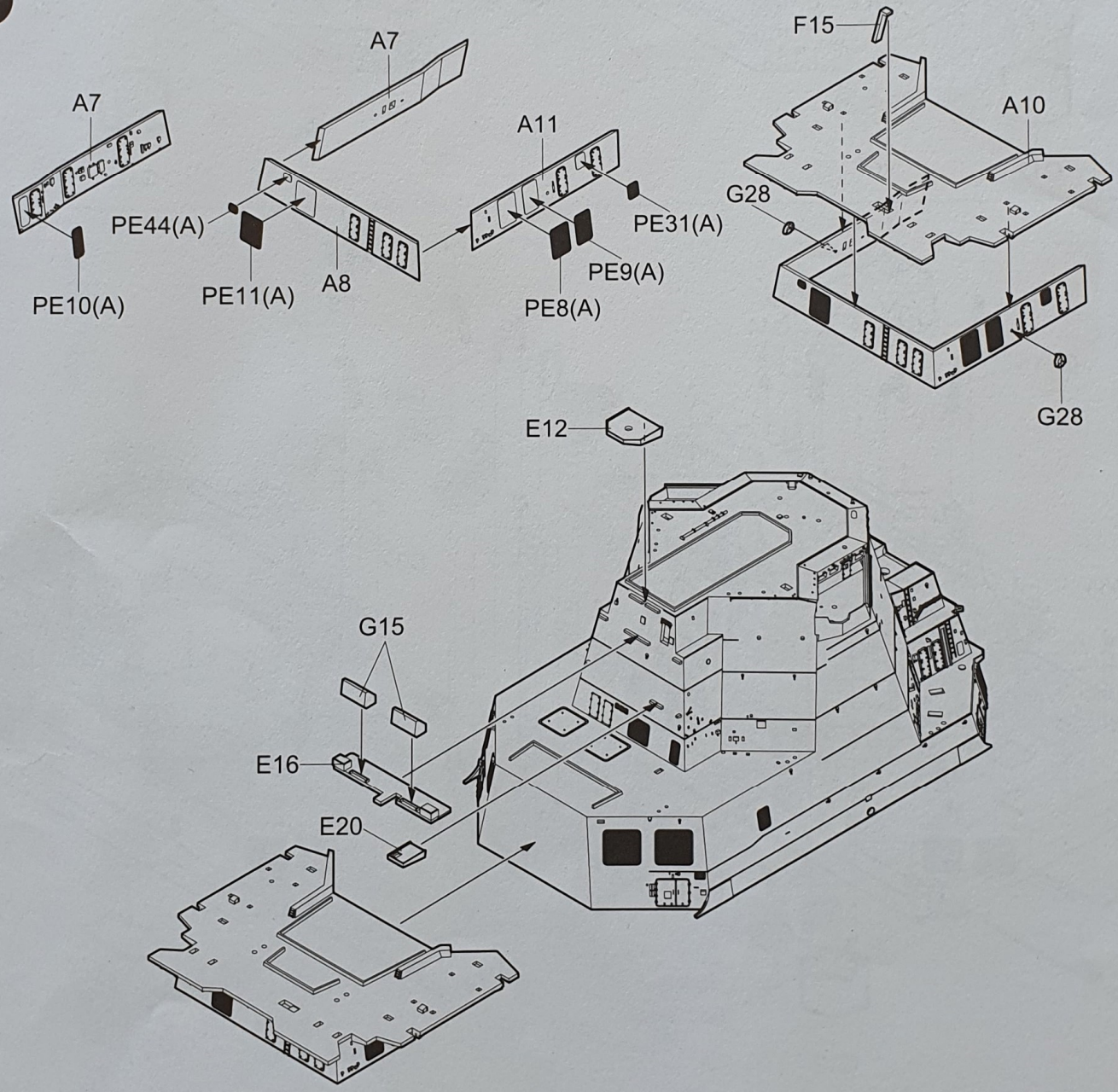
5

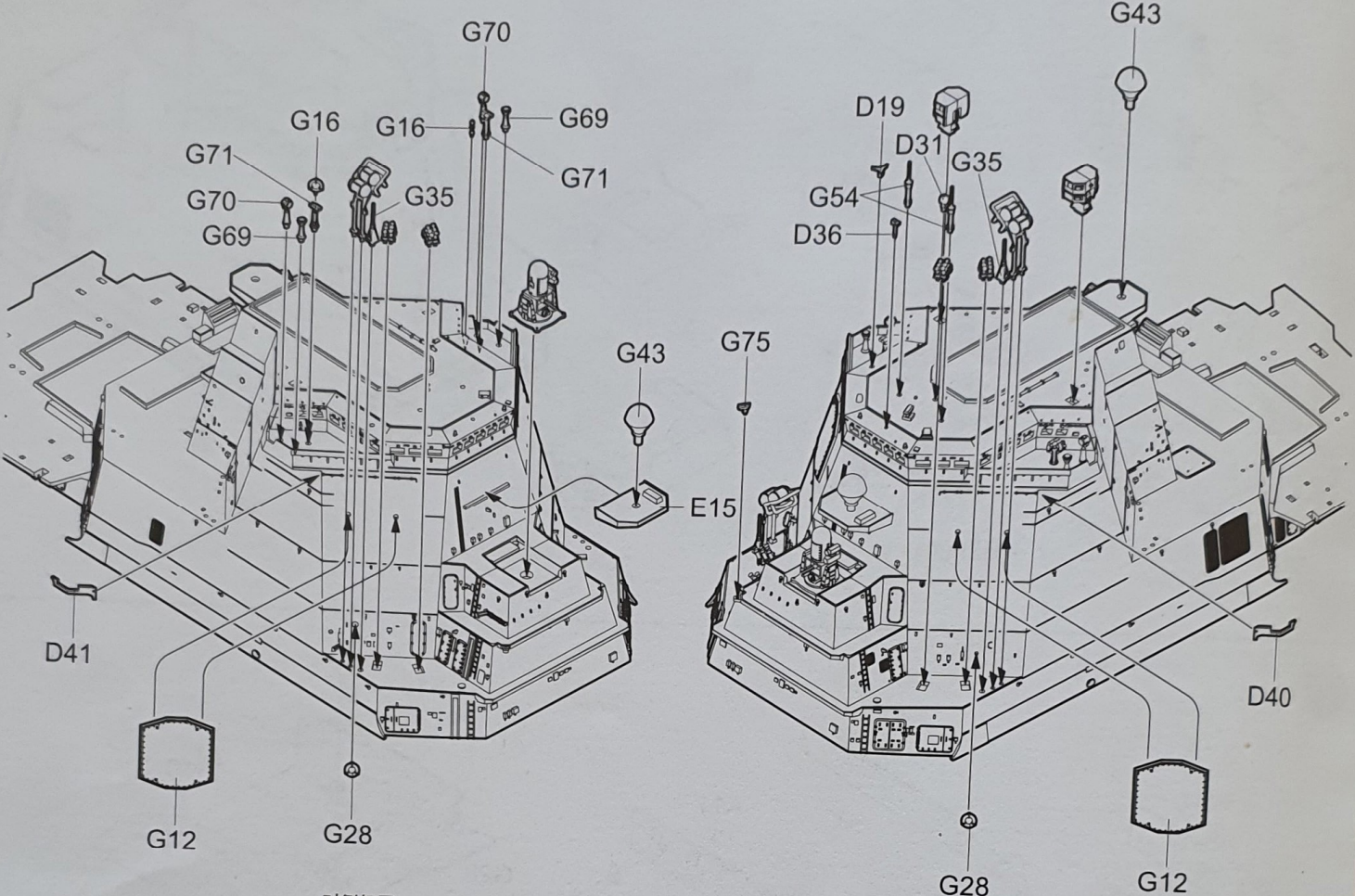


6

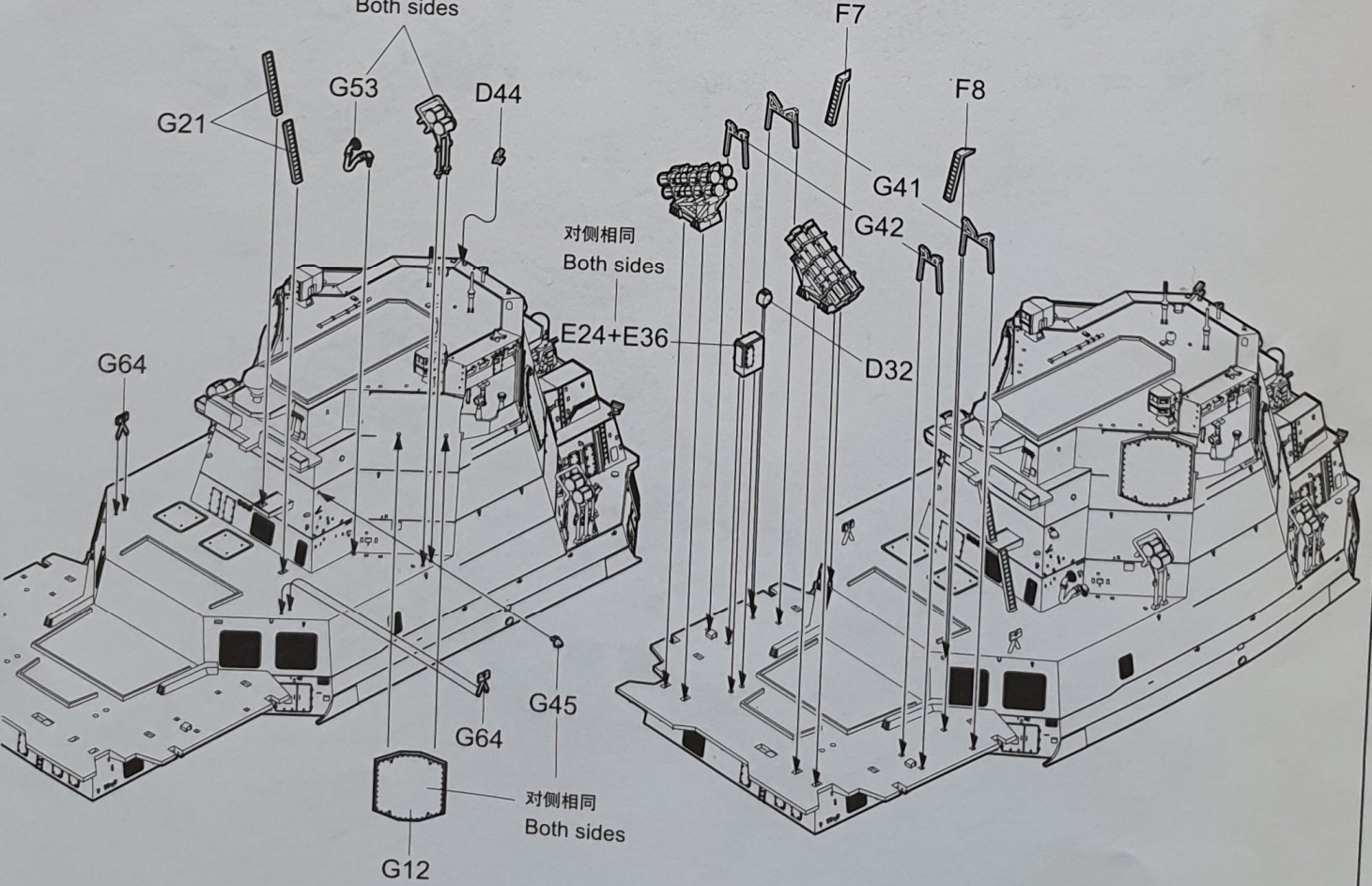


7



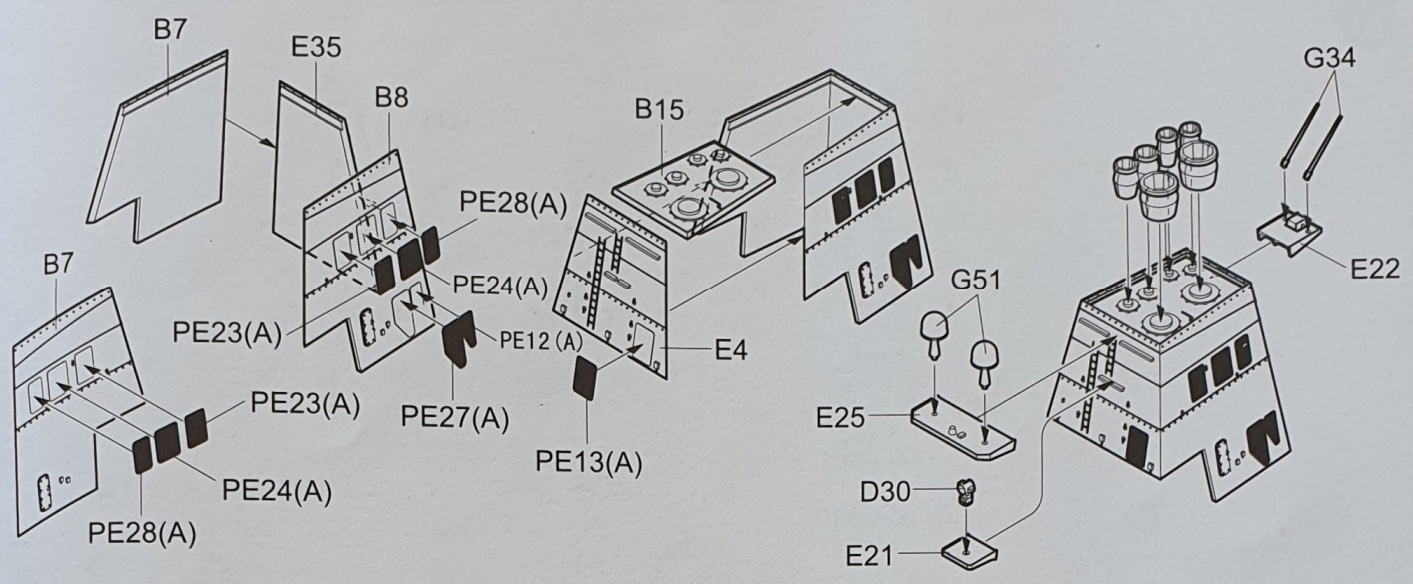


对侧相同
Both sides

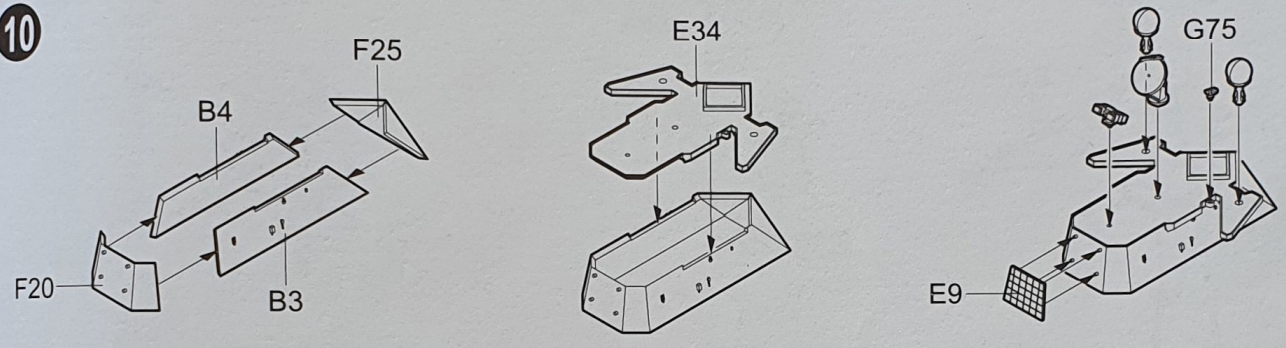


对侧相同
Both sides

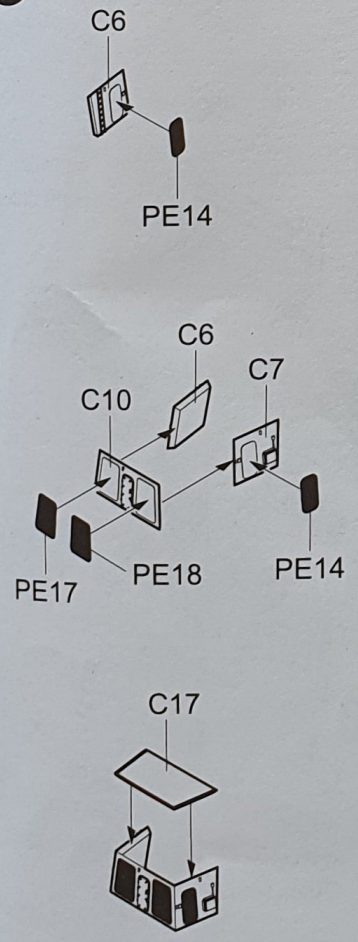
9



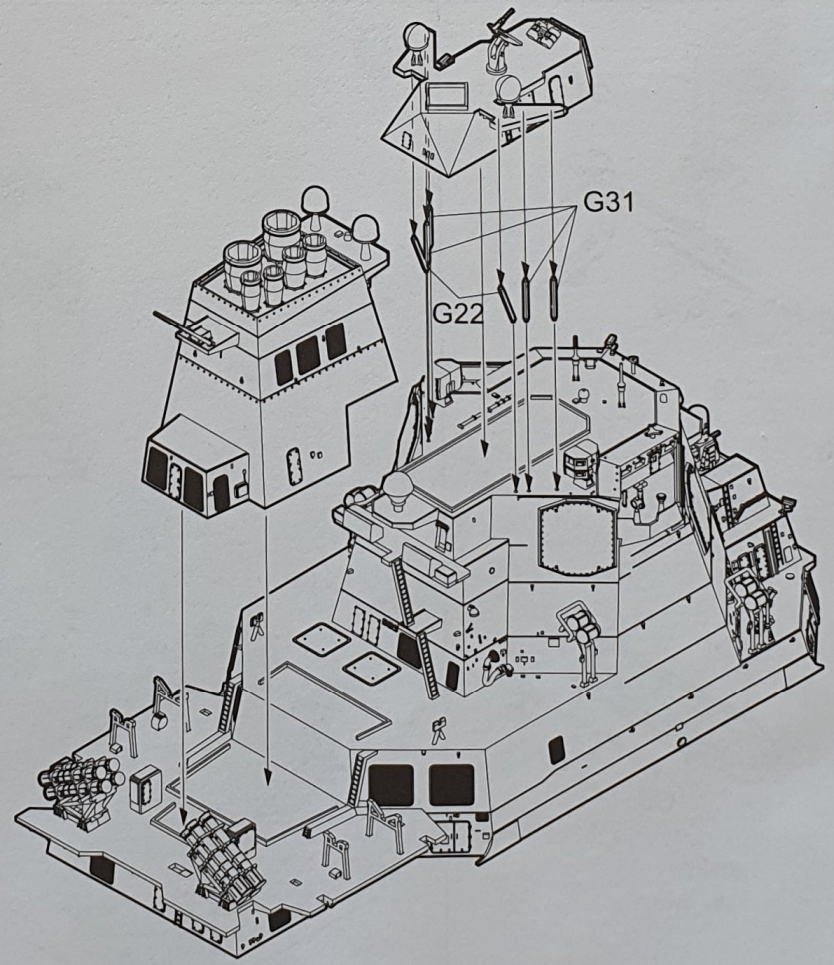
10



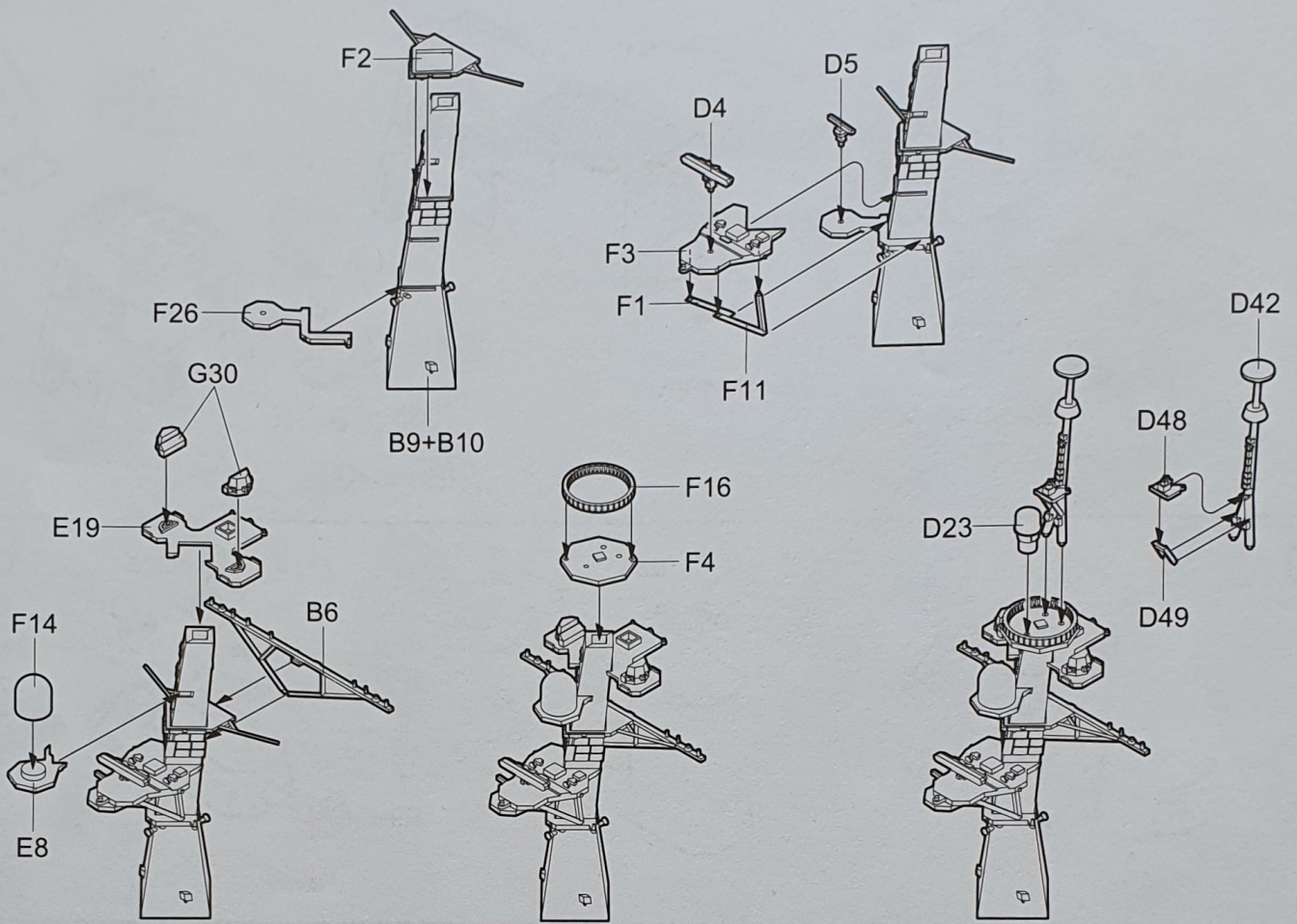
11



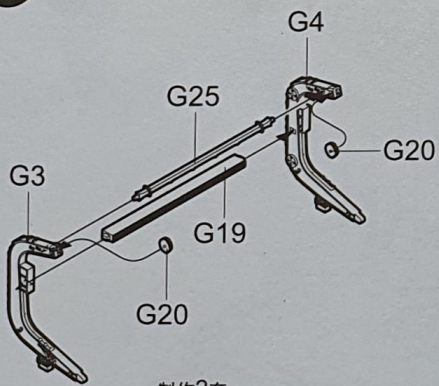
12



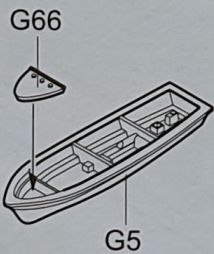
13



14

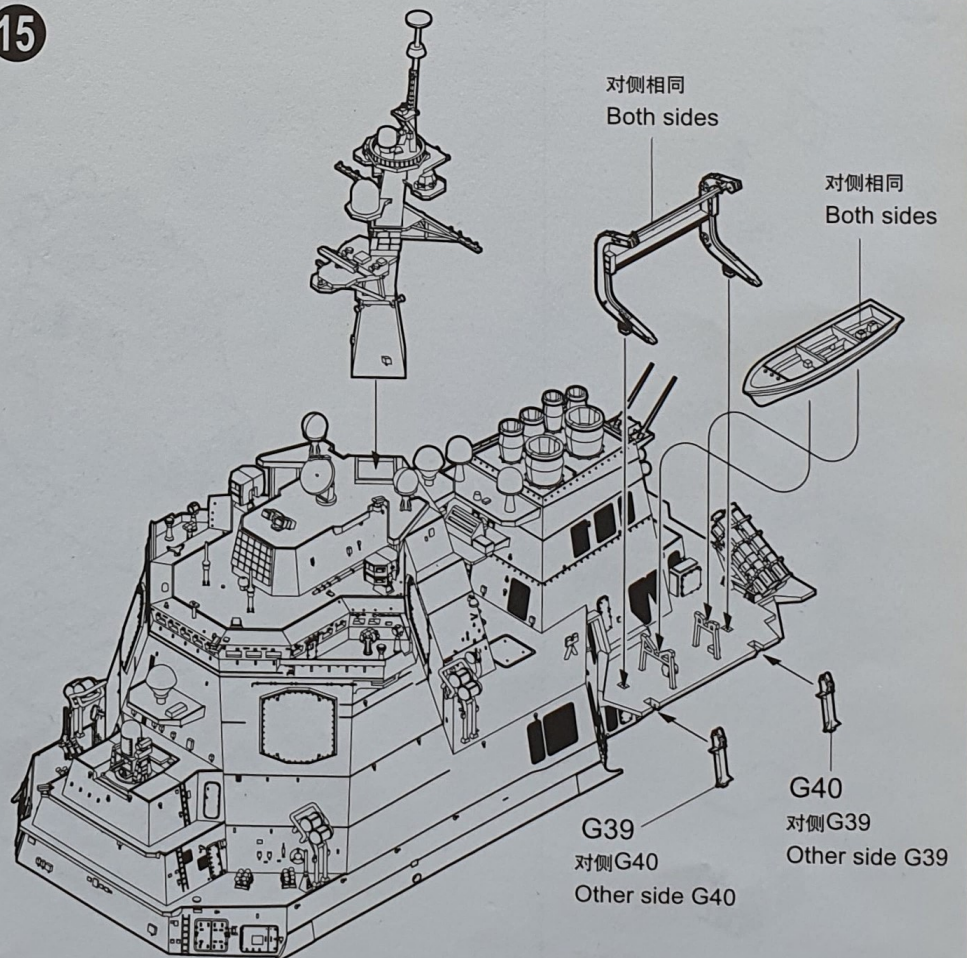


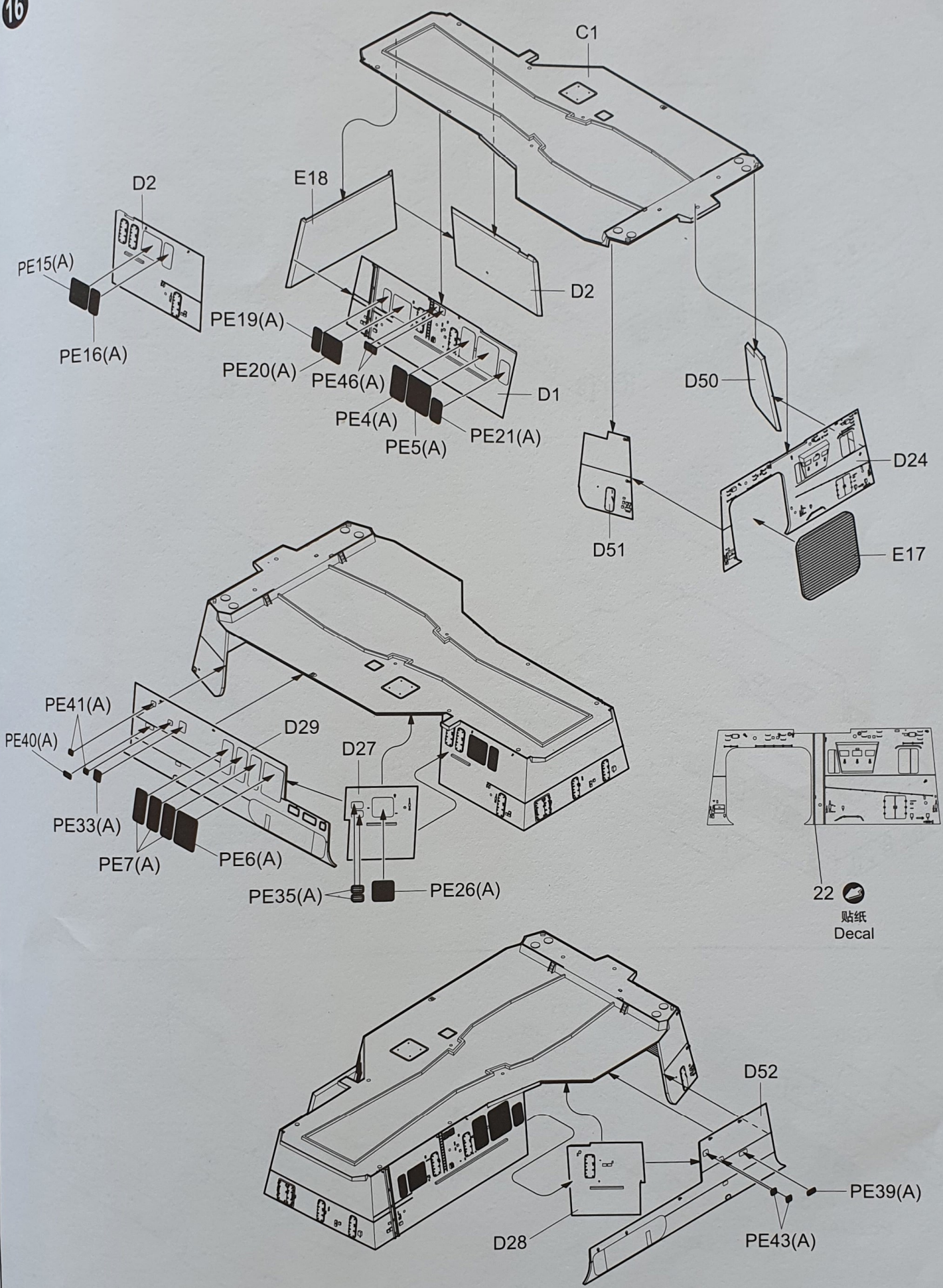
制作2套
Make two



制作2套
Make two

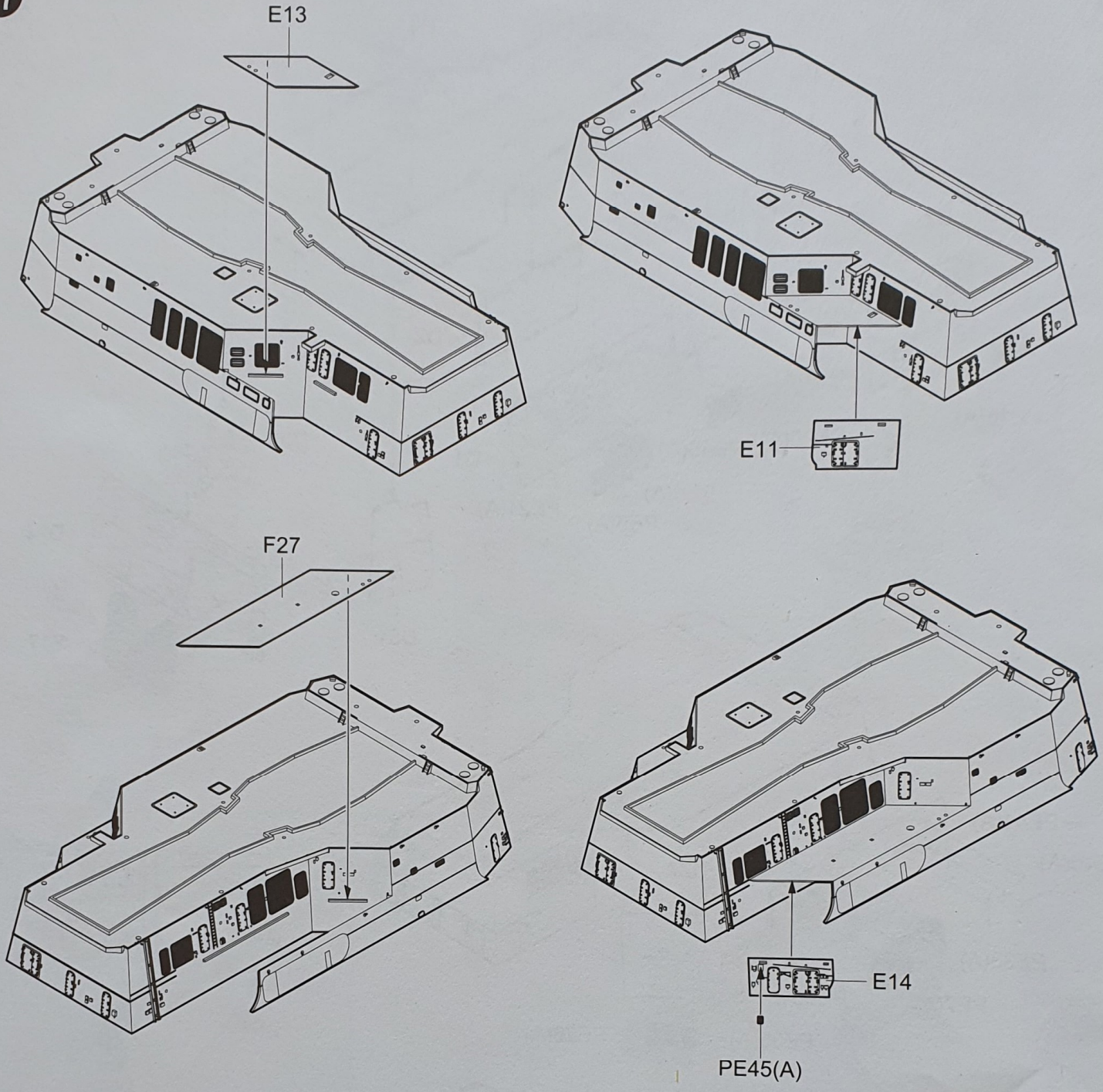
15



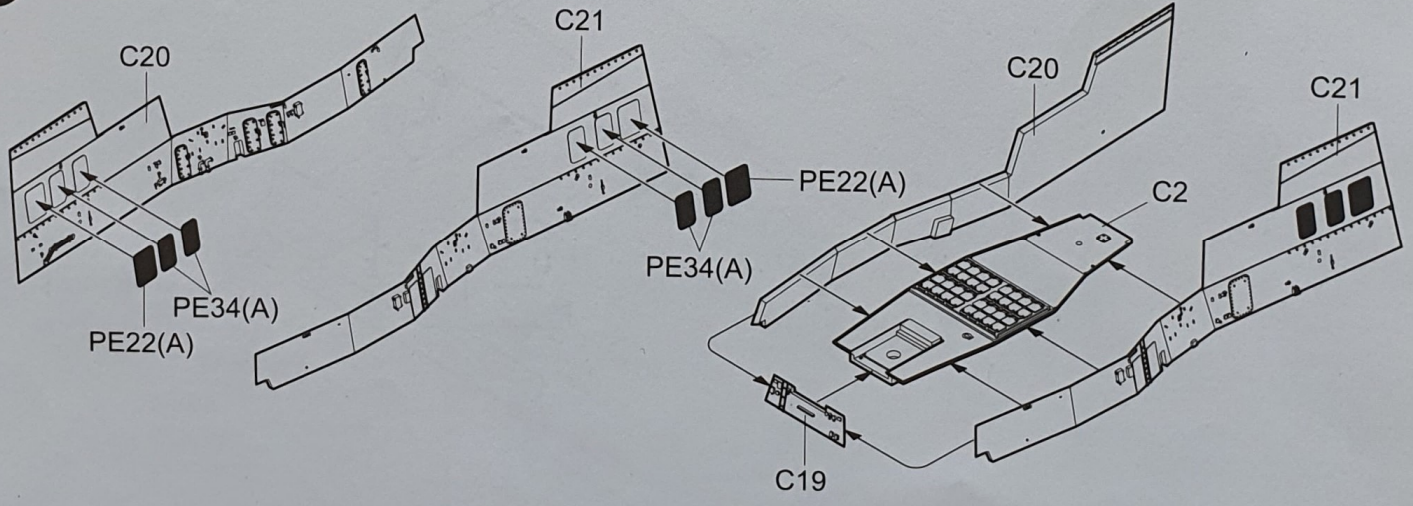


22 贴纸
Decal

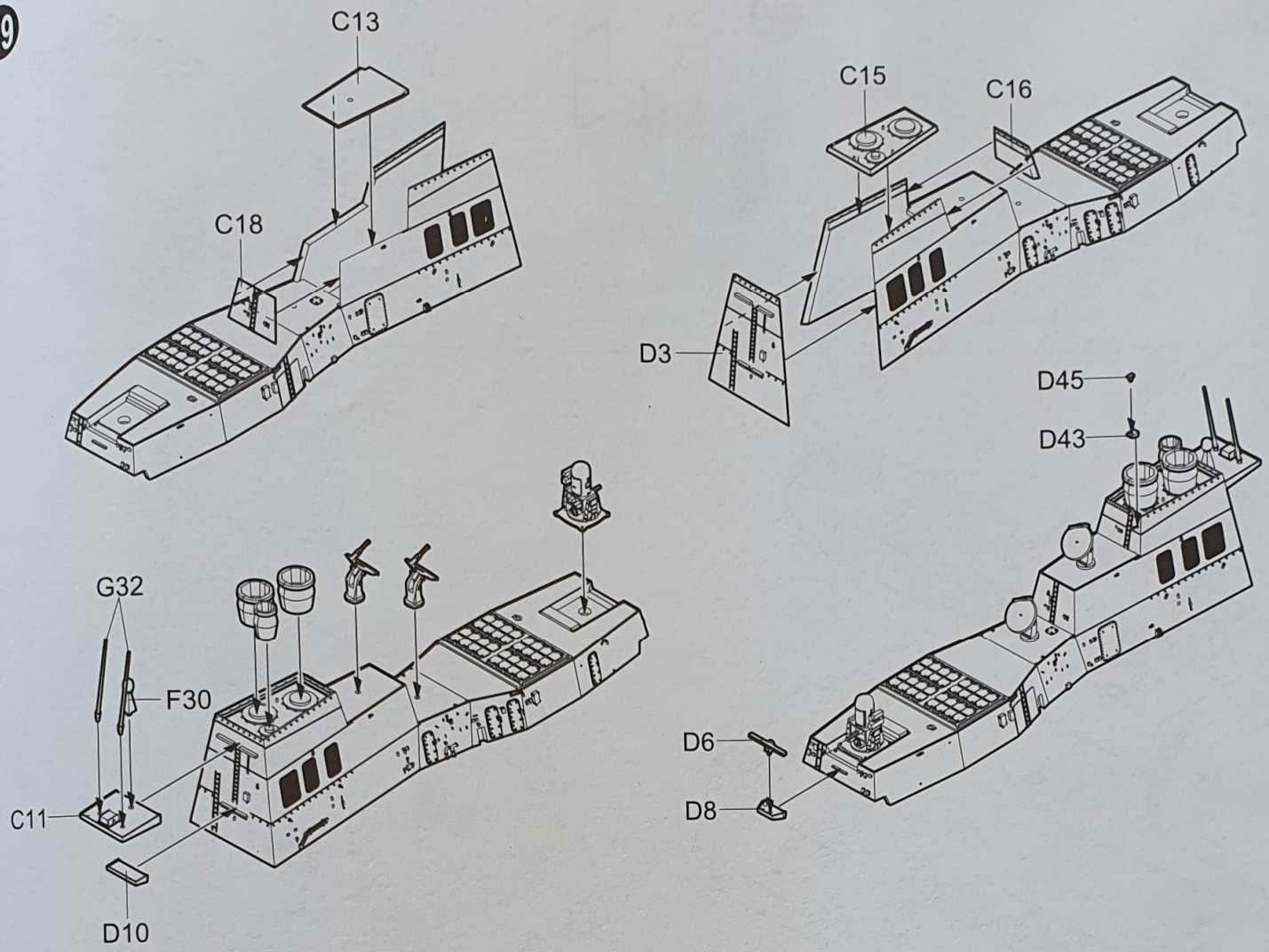
17



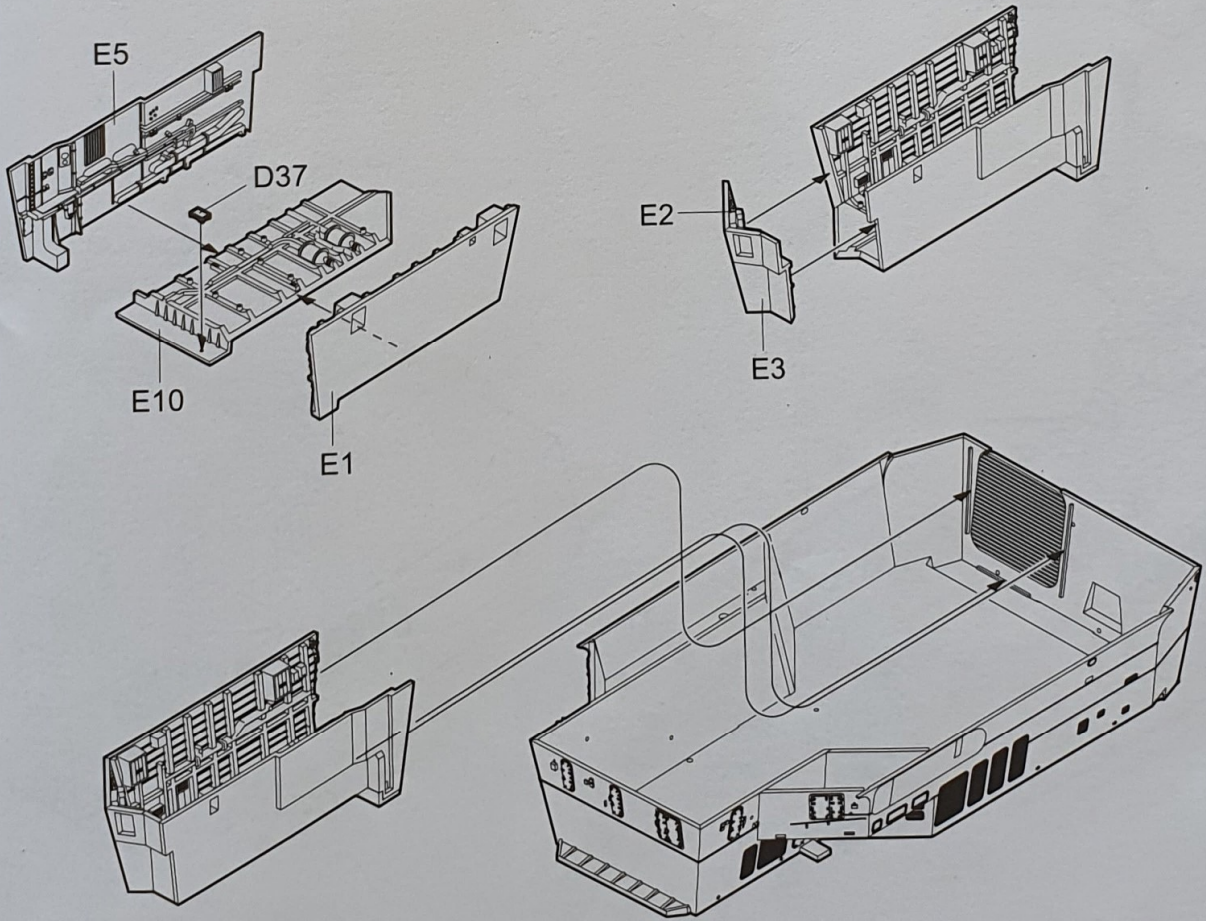
18



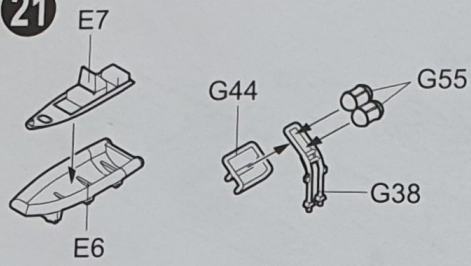
19



20

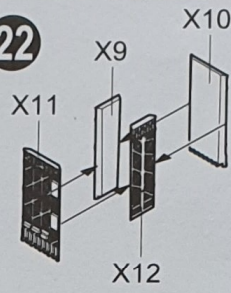


21

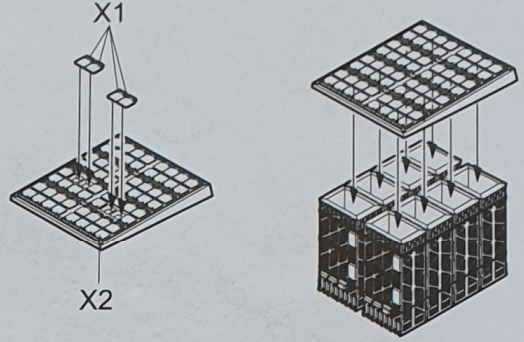


制作2套
Make two

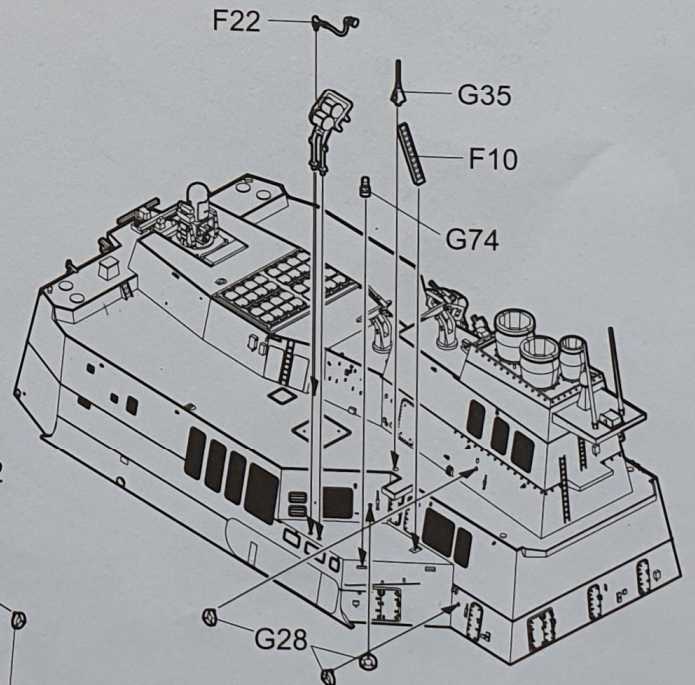
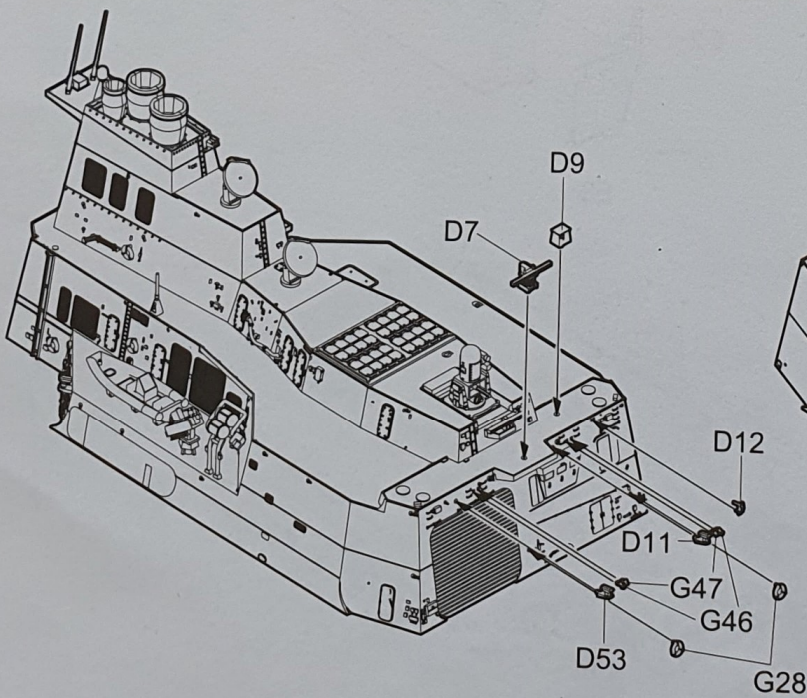
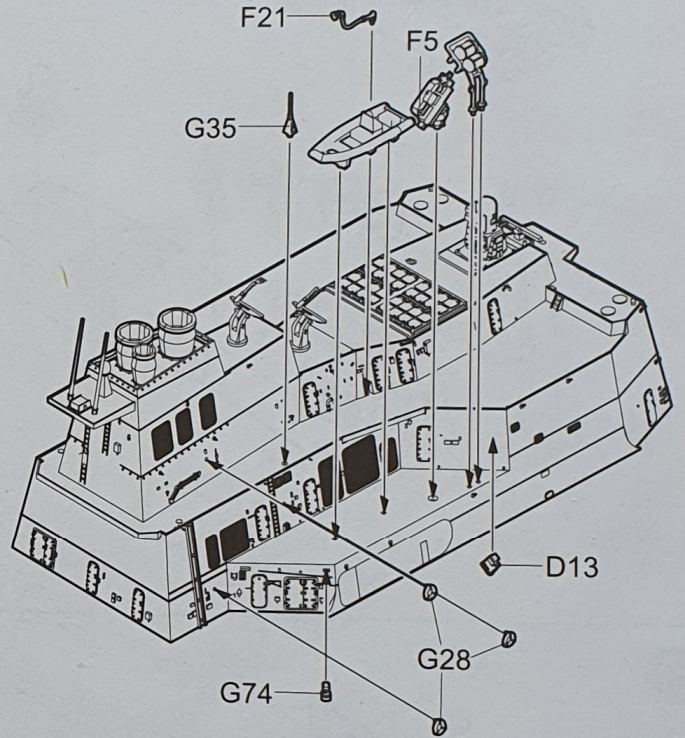
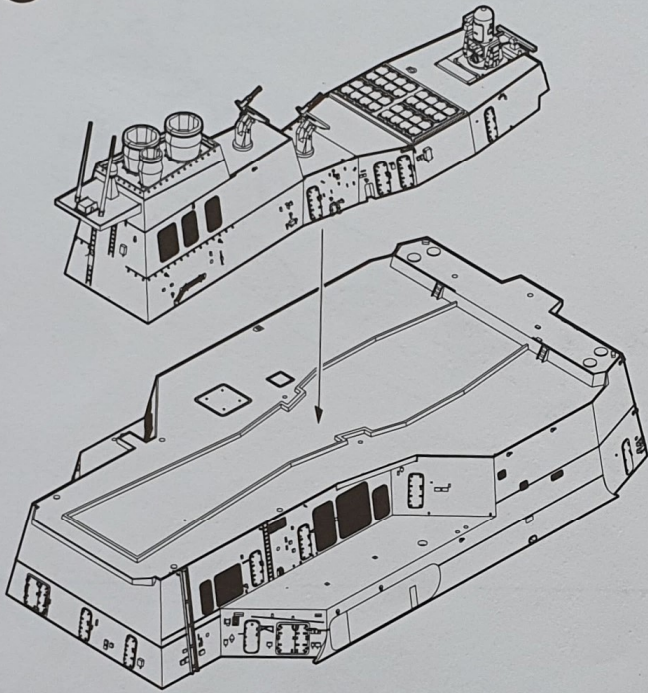
22

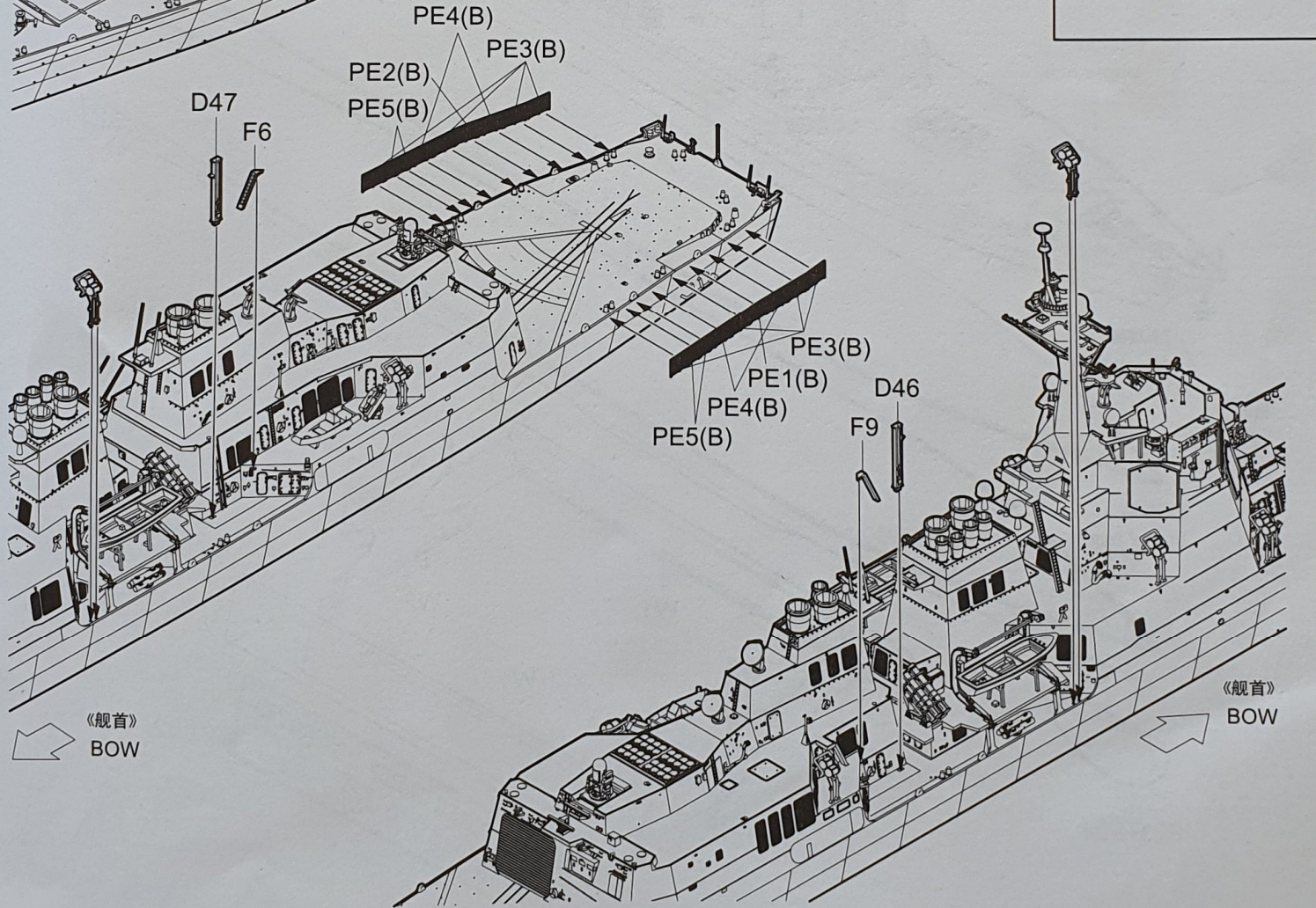
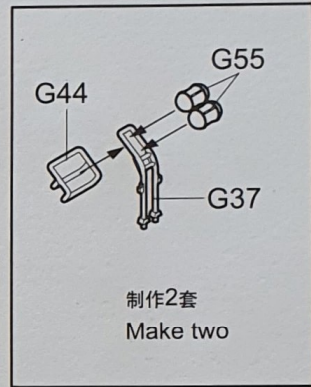
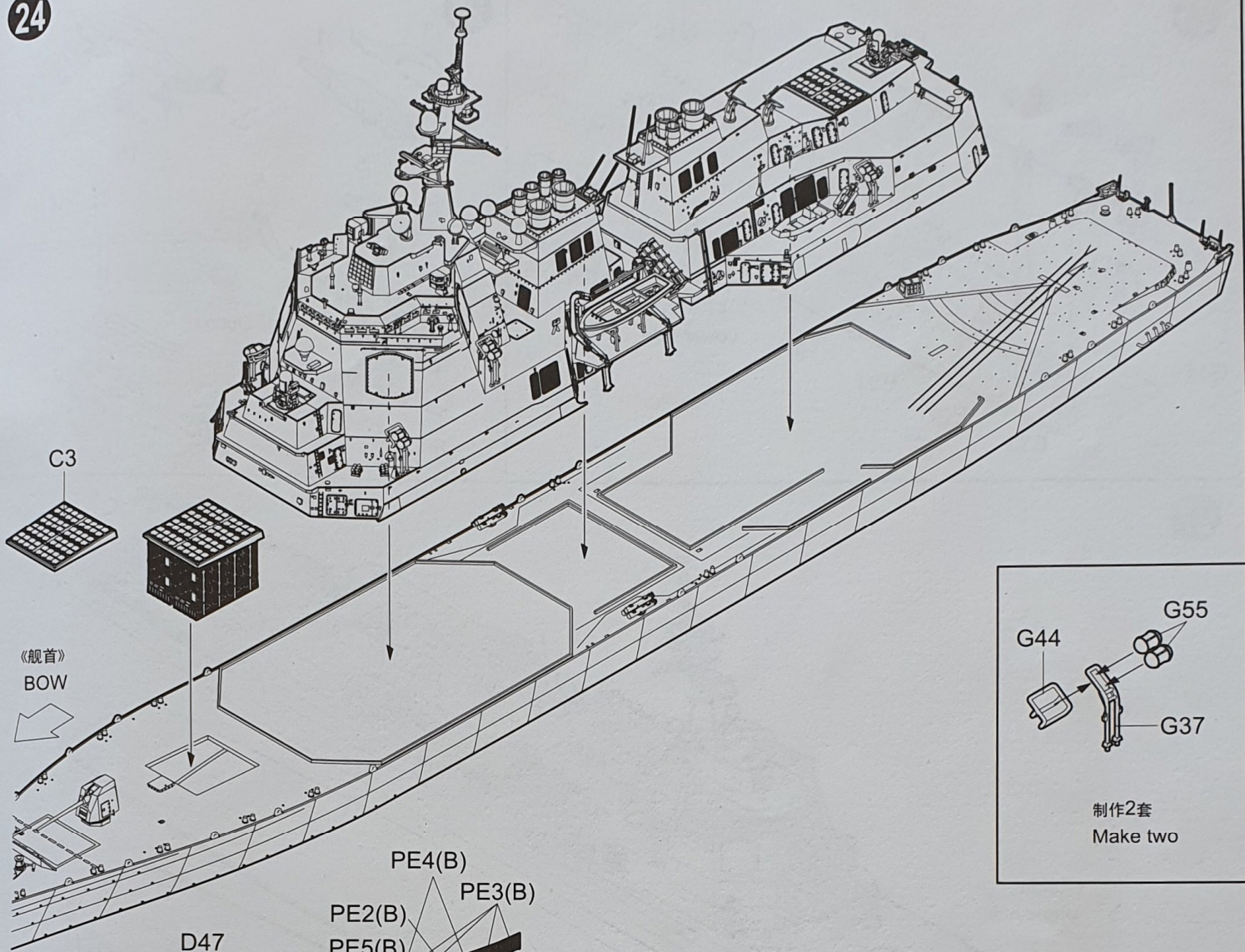


制作8套
Make eight

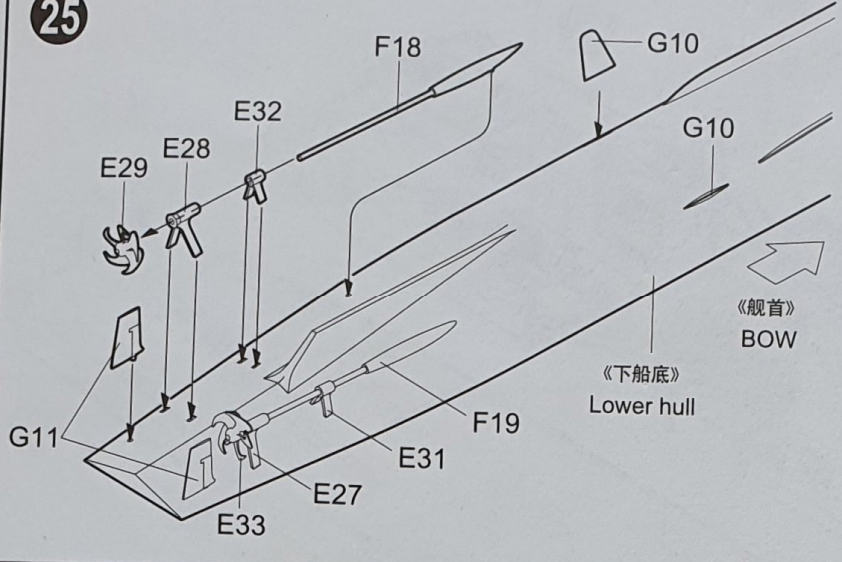


23

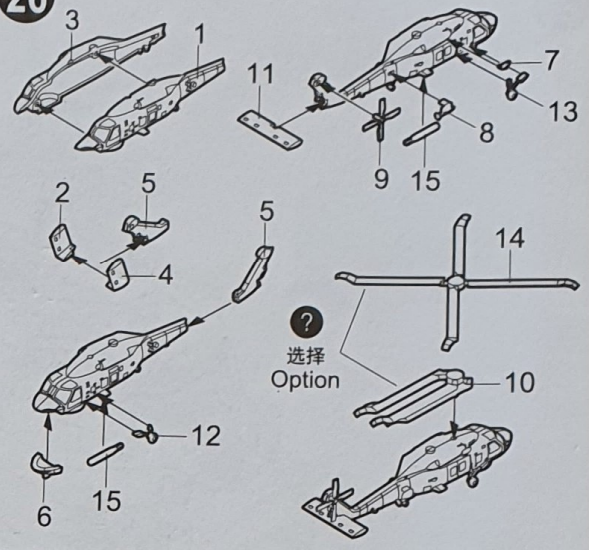




25



26



27

