

Object 490B

“490B工程”坦克

READ BEFORE ASSEMBLY:

- Study and understand these instructions thoroughly before beginning assembly
- When needed, remove photo-etch parts carefully using a modeling knife or photo etch sprue cutter, being careful not to damage or lose small parts.
- Take extra care in handling photo etch parts in order to avoid injury
- Apply instant cement sparingly to photo etch parts where instructed
- Tools recommended(not included in kit):Plastic and instant cements, sprue cutters,long nose pliers,modeling knife, small files, tweezers, pin vise & scissors. Soft cloth and sandpaper will also assist in construction
- Glue and paint are not included in the kit. Use plastic cement and hobby paints only. Color guide for purchasing paint is included in the kit.

装配之前仔细阅读

- 小心用模型锉刀锉平所有零件表面的注射浇口。
- 小心用刀片切下蚀刻片零件，不要遗失小零件。
- 用强力快干胶水粘合蚀刻片零件和金属轴。过量快干胶水使用可能导致可动零件会粘住，小心涂胶。
- 取蚀刻片时应特别注意安全，防止利边划伤手指。
- 某些零件表面需贴水上贴纸，请选择在装配的同时进行。
- 推荐模型工具(自备)：胶水，水口剪刀，长咀钳，刀片，锉刀，镊子，钳，钻，剪刀，瞬间快干胶。
- 软布同砂纸同时也是所需工具。
- 请使用塑料胶水和油漆，模型内不含。



使用强力胶
Cyanoacrylate glue



配重
Weight



钻孔
Make hole



切除
Cut / Remove



贴纸
Decal



锉平
File / Sand



选择
Option



不涂胶水
No cement



弯曲
Bend



先装
Install it first



填补
Repair

水贴纸的使用:

- 1.从水贴上剪下印花;
- 2.将印花放入温水中浸10秒, 然后放在干净布上。
- 3.拿着印花纸板将印花移到模型上;
- 4.手指蘸水将印花移到适当的位置;
- 5.用软布轻压印花直至水干, 气泡消失

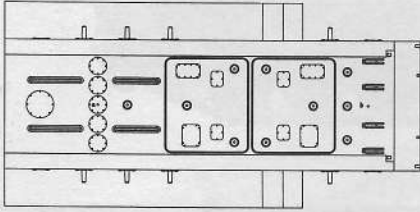
DECAL APPLICATION

- 1.Cut decals from sheet as needed
- 2.Dip the decal in warm water for about 10 seconds and then place on soft clean cloth.
- 3.Hold the decal backing sheet edge and gently slide the decal onto the model in its proper position.
- 4.While still wet,decal can be adjusted for better fit on model by dampening it gently with your finger.
- 5.When placed in the proper position,gently press decal down with a soft cloth until excess water and air bubbles are gone.
- 6.Allow decal to dry completely before handling model

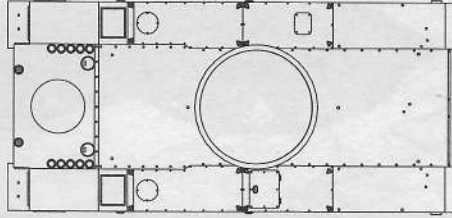
* 说明书中含有重要信息，应保留。 Please Keep instruction since it contains important information.

部品图
Parts

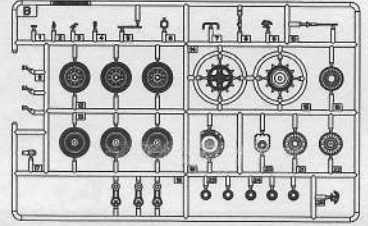
车底
Lower hull



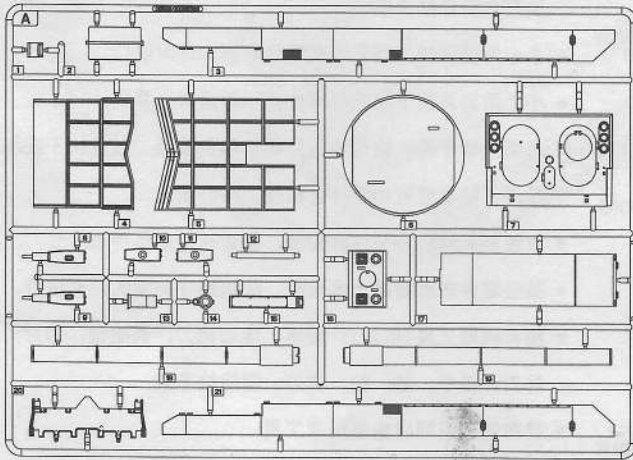
车面
Upper hull



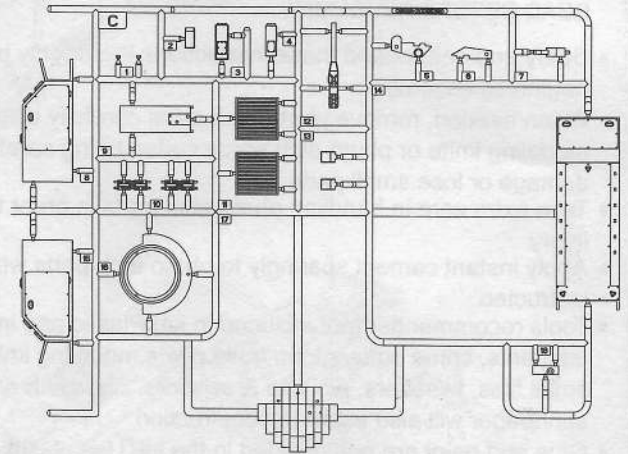
Bx4



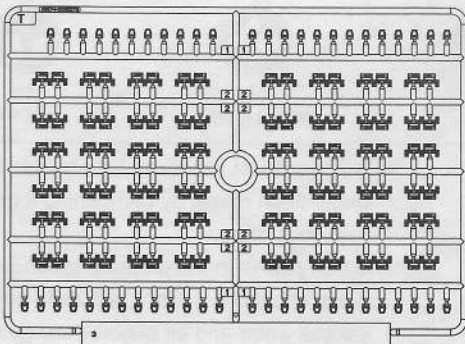
A



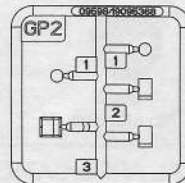
C



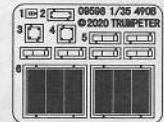
Tx4



GP2



《蚀刻片》
PE

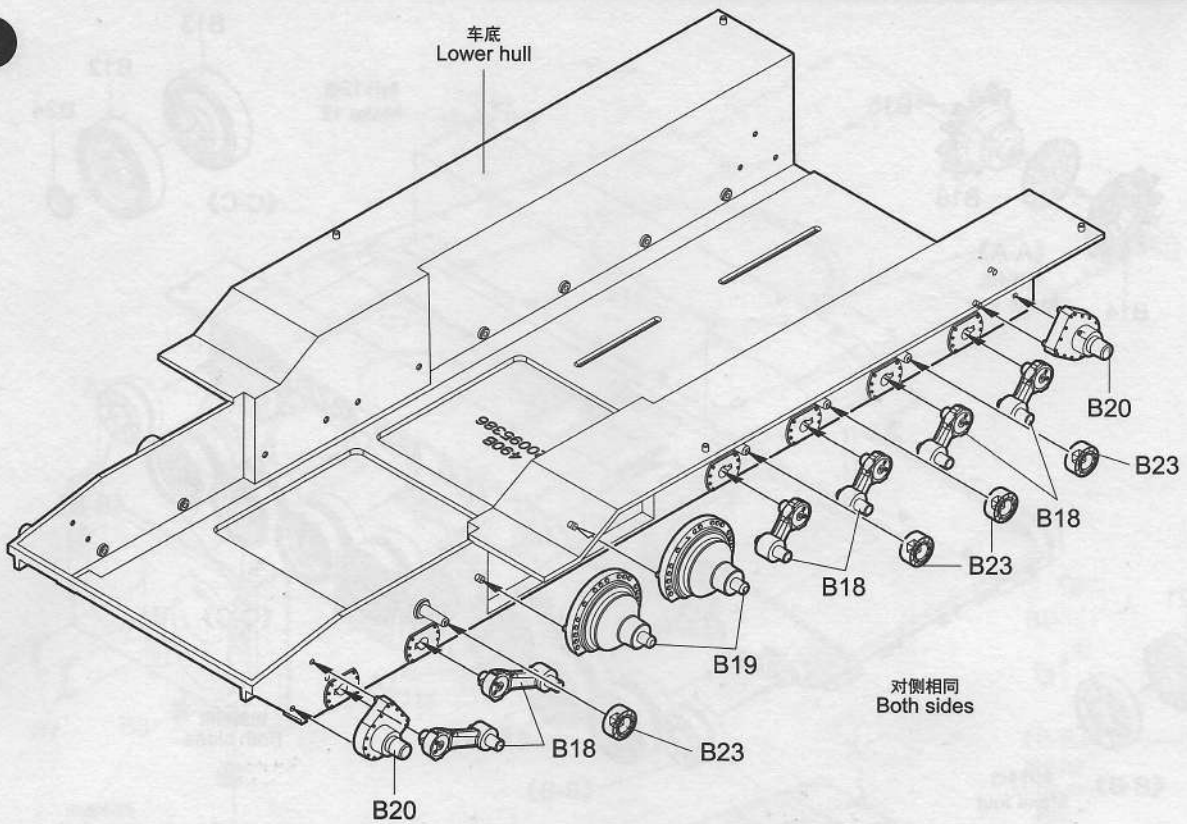


《铜线》x2
Copper cable x2



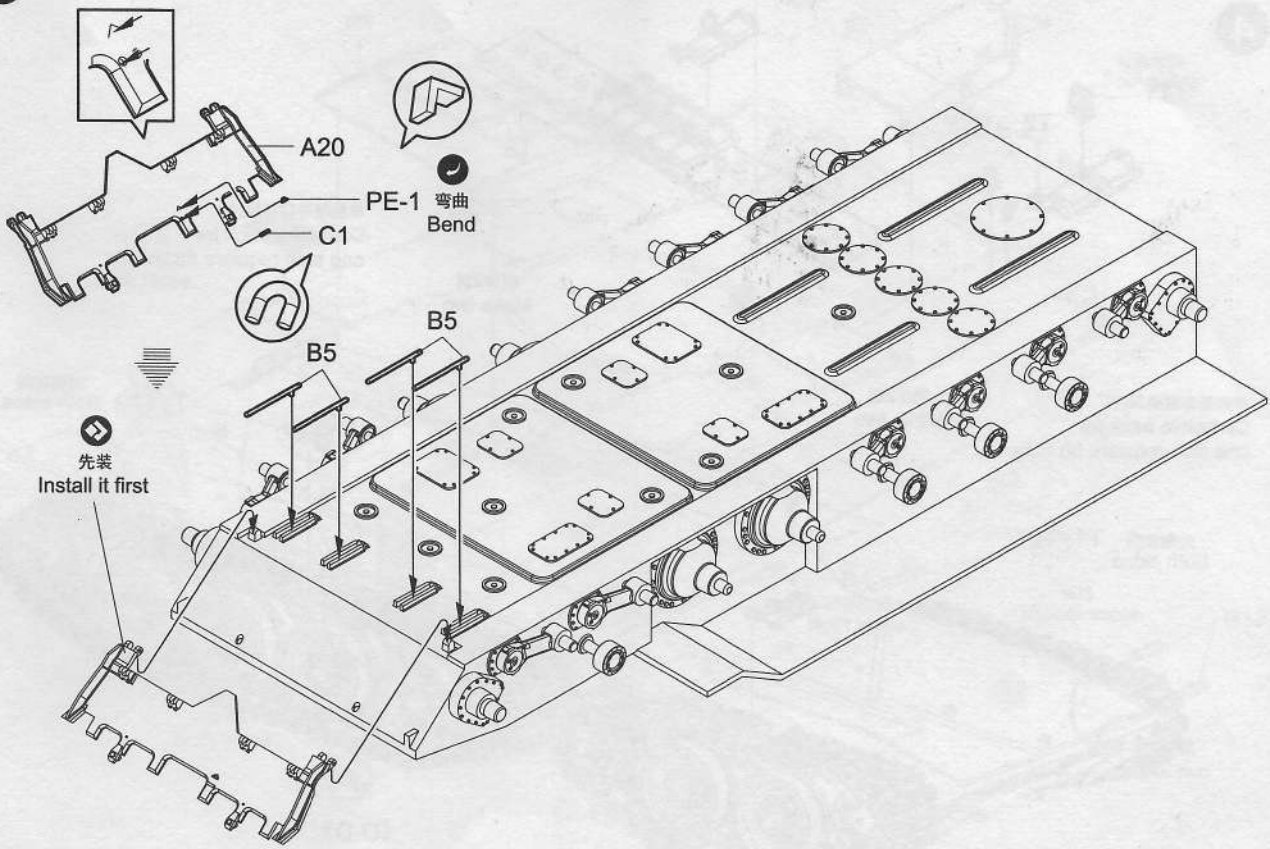
1

车底
Lower hull



对侧相同
Both sides

2

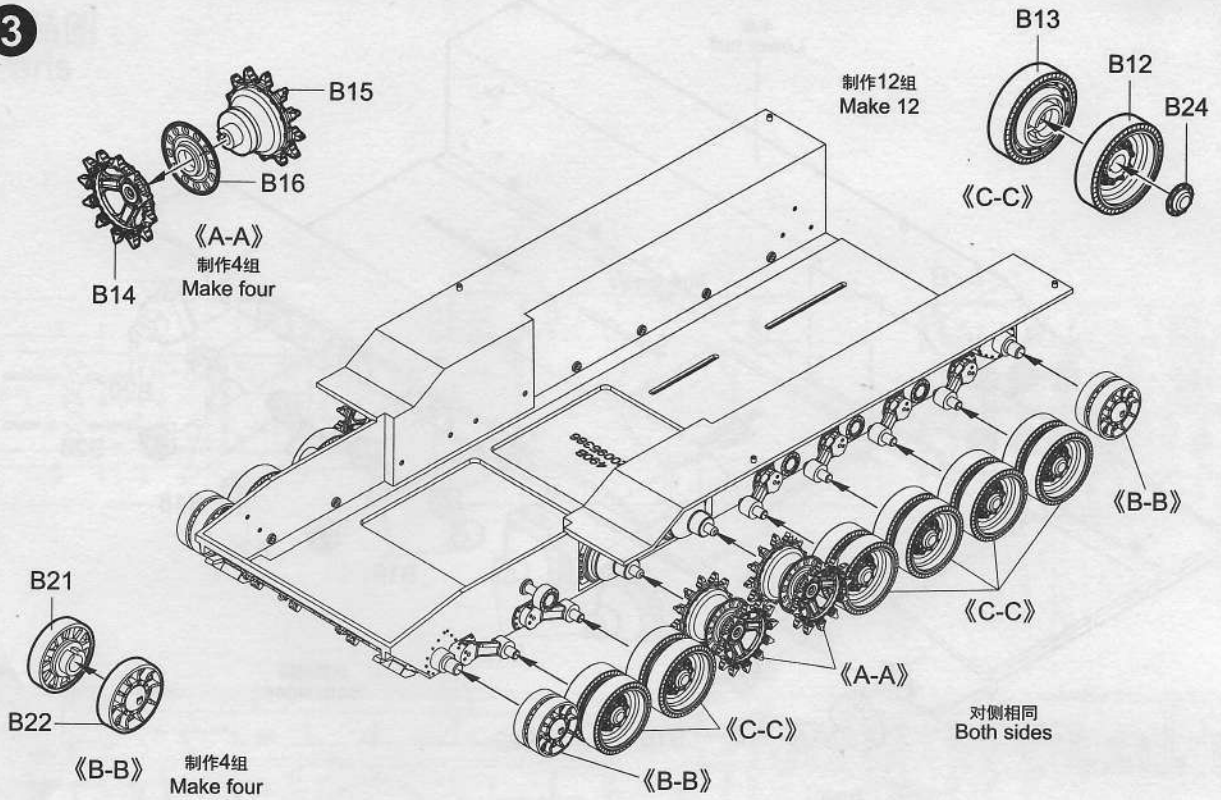


先装
Install it first

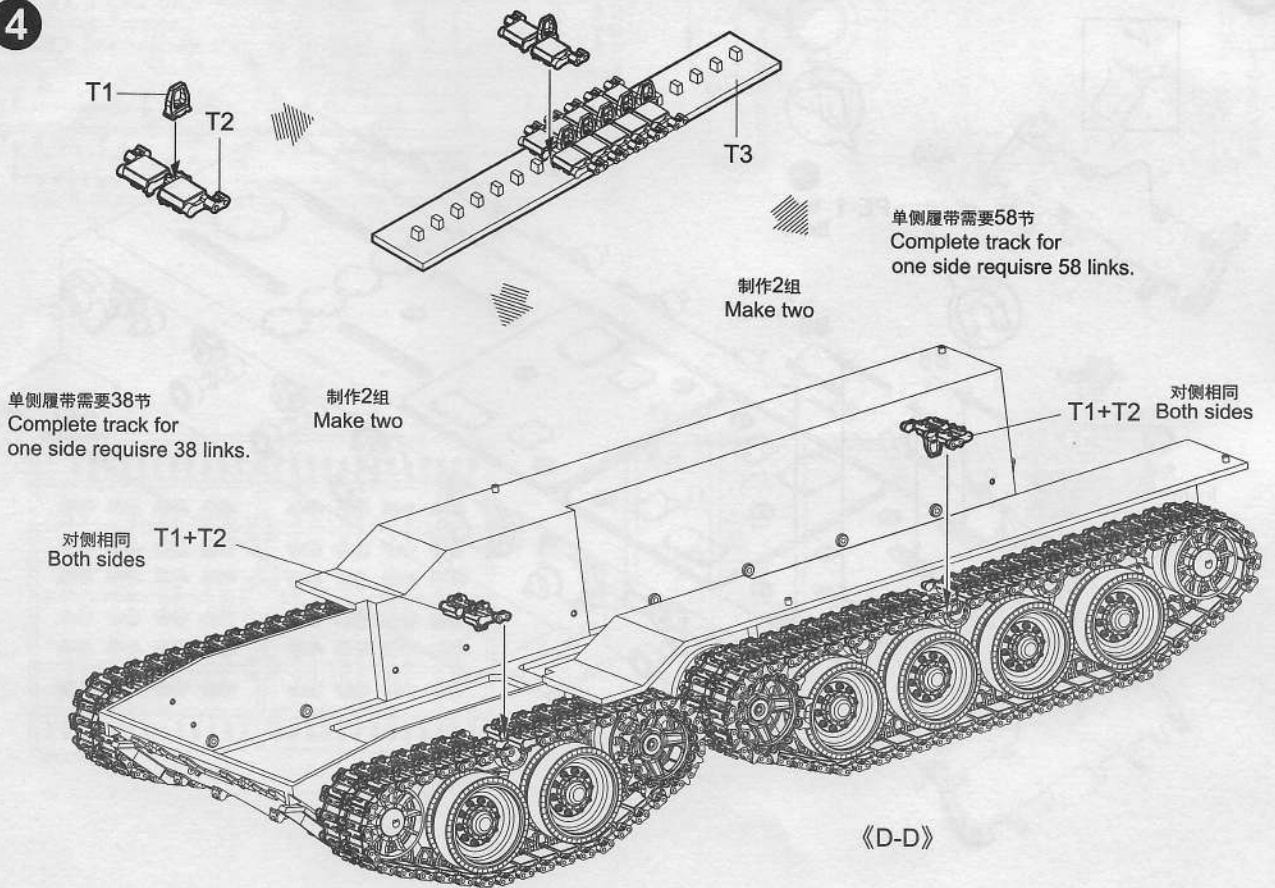


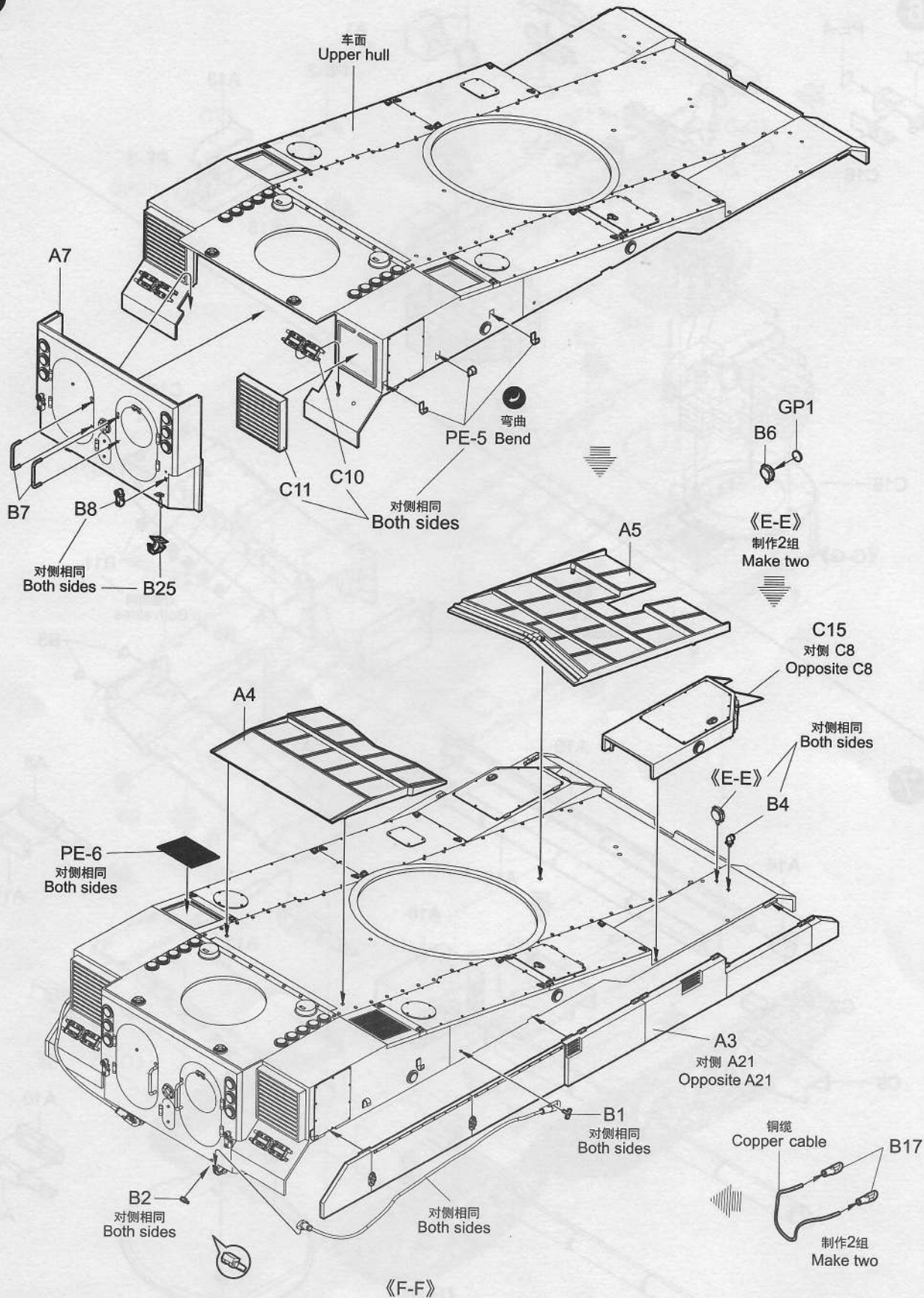
PE-1 弯曲
Bend

3

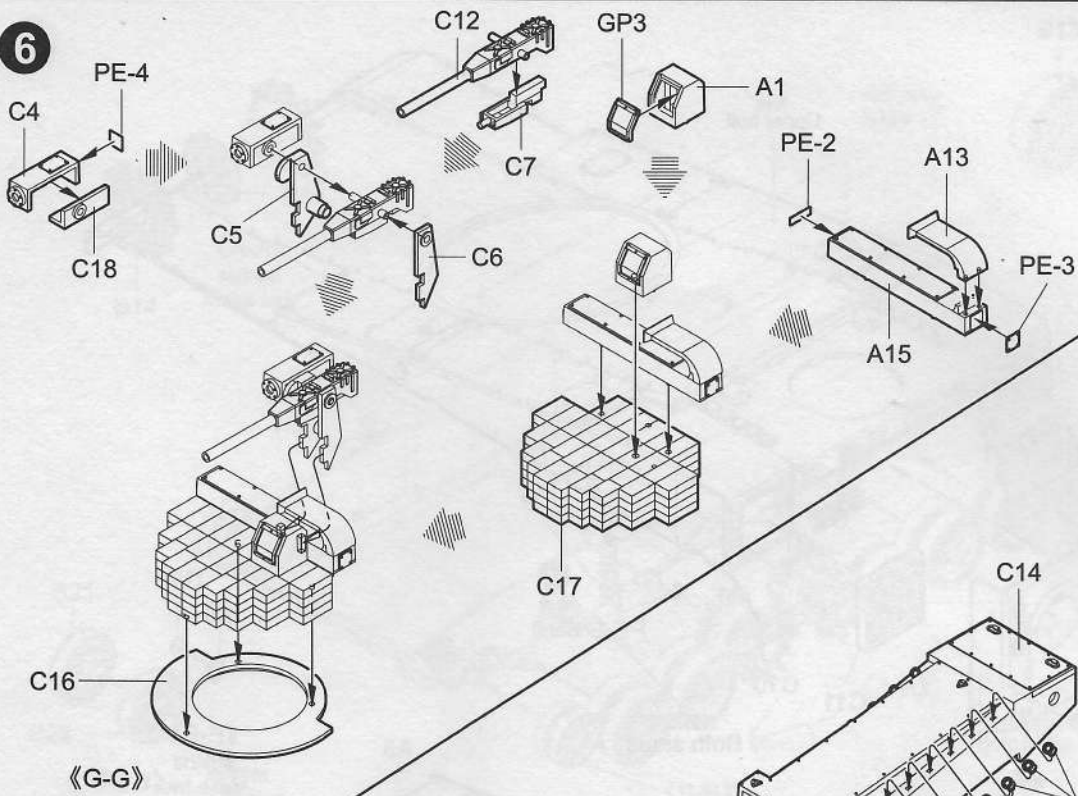


4



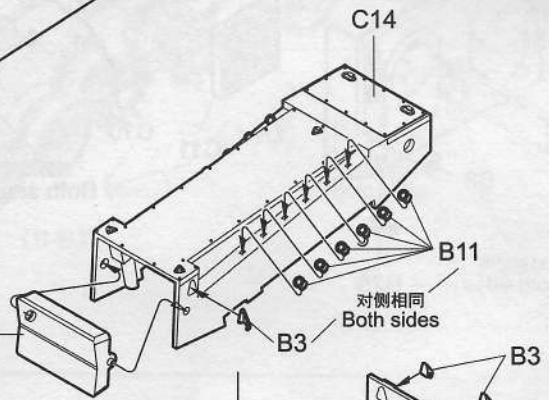


6

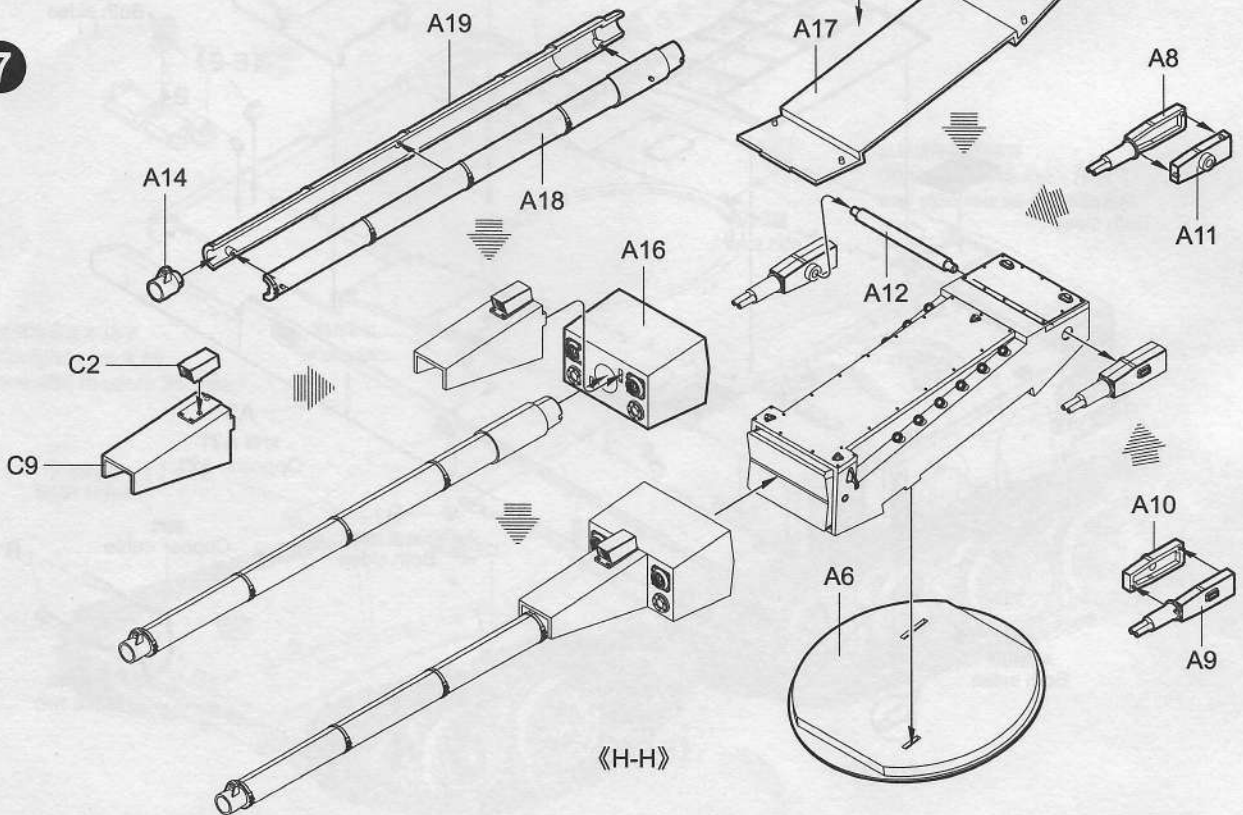


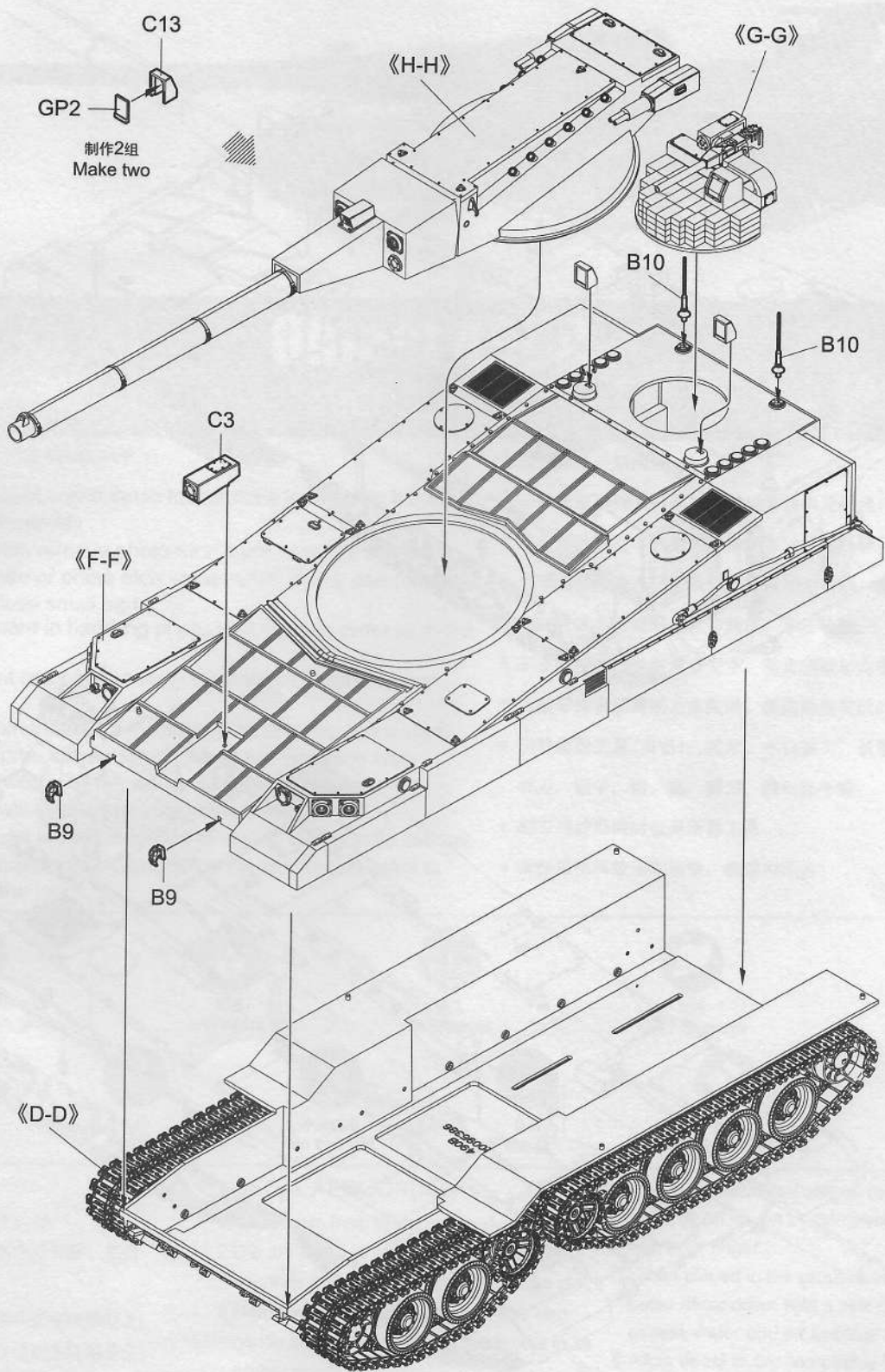
先装
Install it first

A2

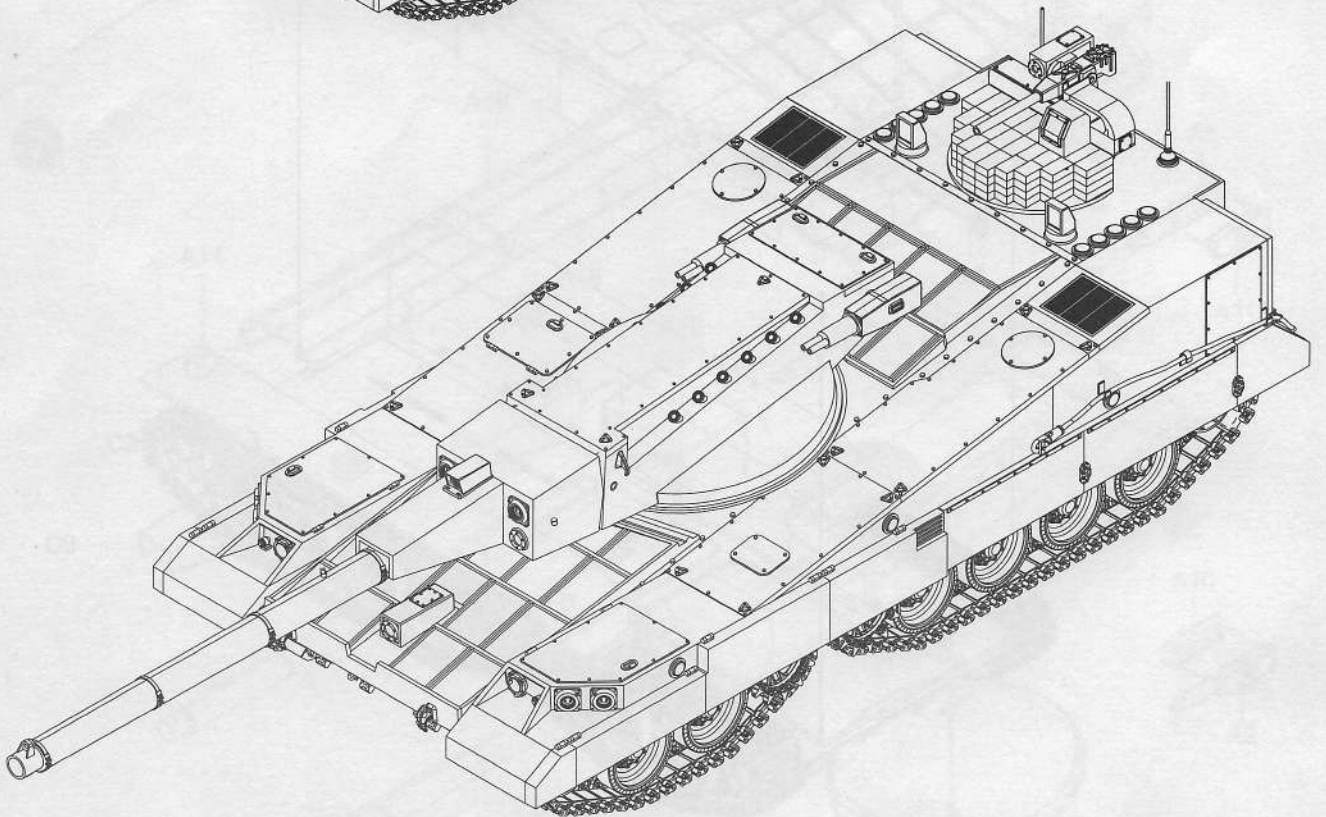
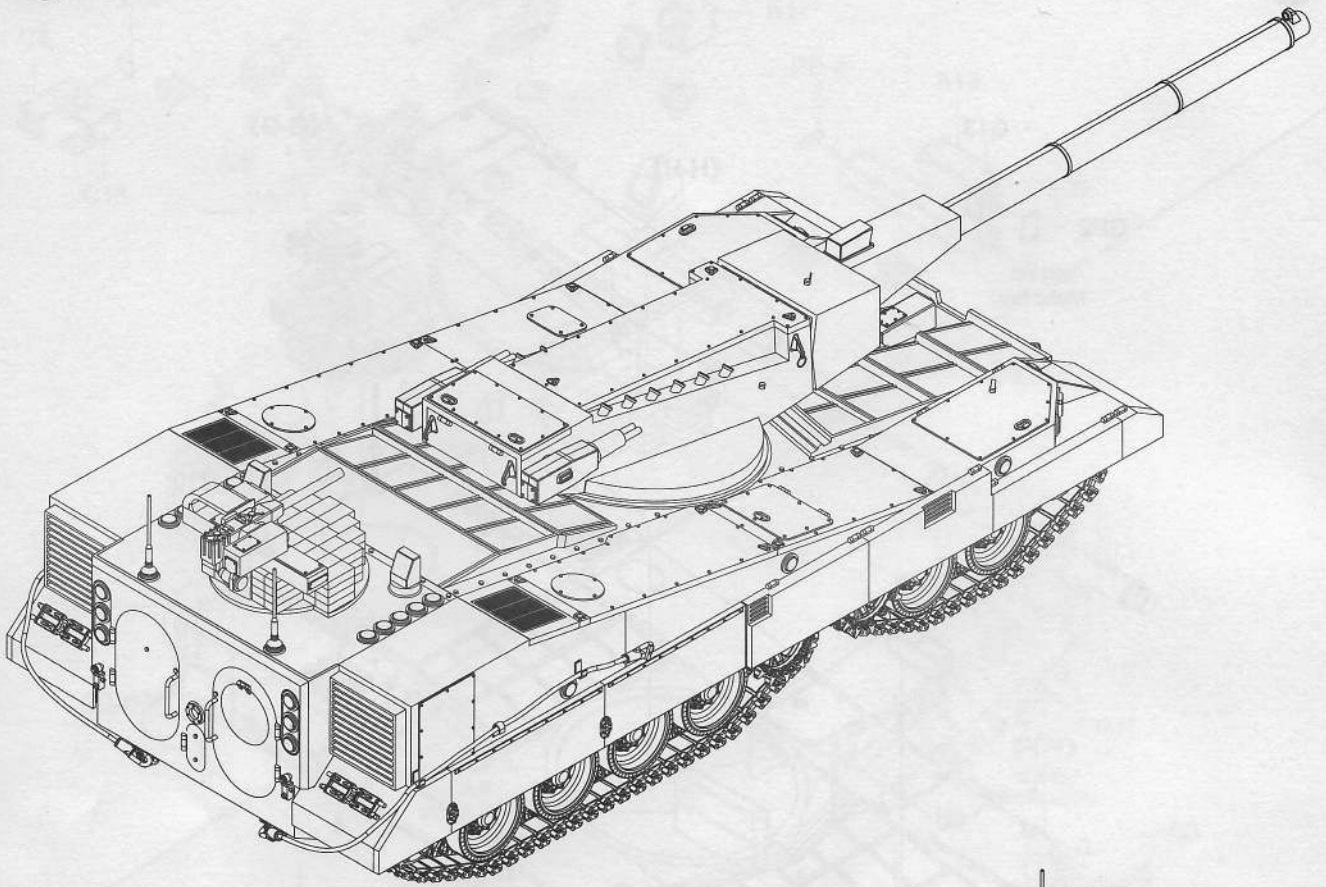


7





9

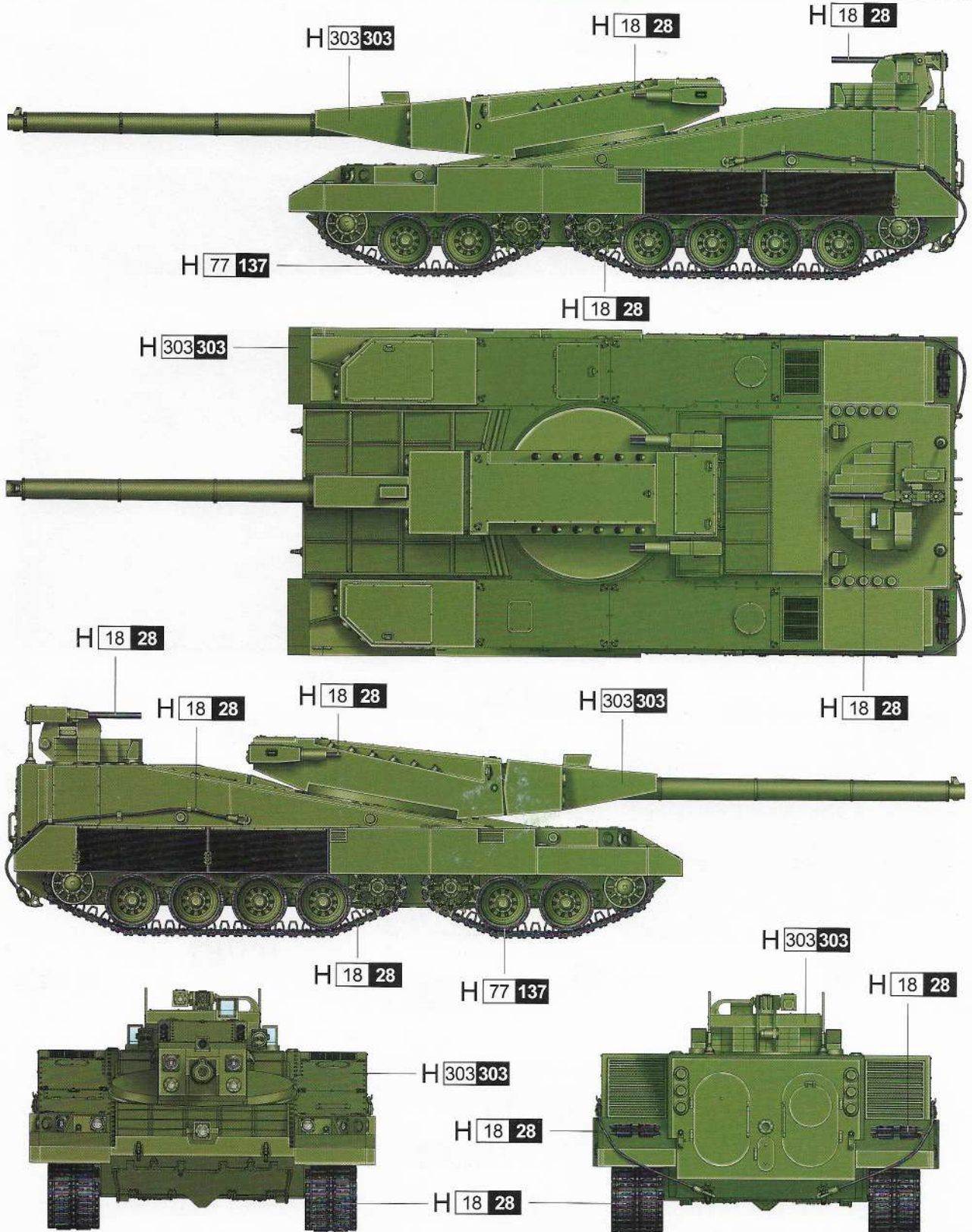


涂装同标贴指示

Painting & Marking guide

A

PAINT REFERENCE COLOR						
Color	Mr.Hobby	Acrycion	Vallejo	Model Master	Tamiya	Humbrol
Steel 黑铁色	H 18 28	N 18	864	1402	XF84	-
Flat Black 消光黑	H 12 33	N 12	950	1749	XF1	33
Tire Black 胎黑色	H 77 137	N 77	-	-	XF85	-
Middle Stone 土黄色	H 71 21	N 71	821	-	-	84
Light Green 绿色	H 303 303	N 303	-	1713	XF20	117



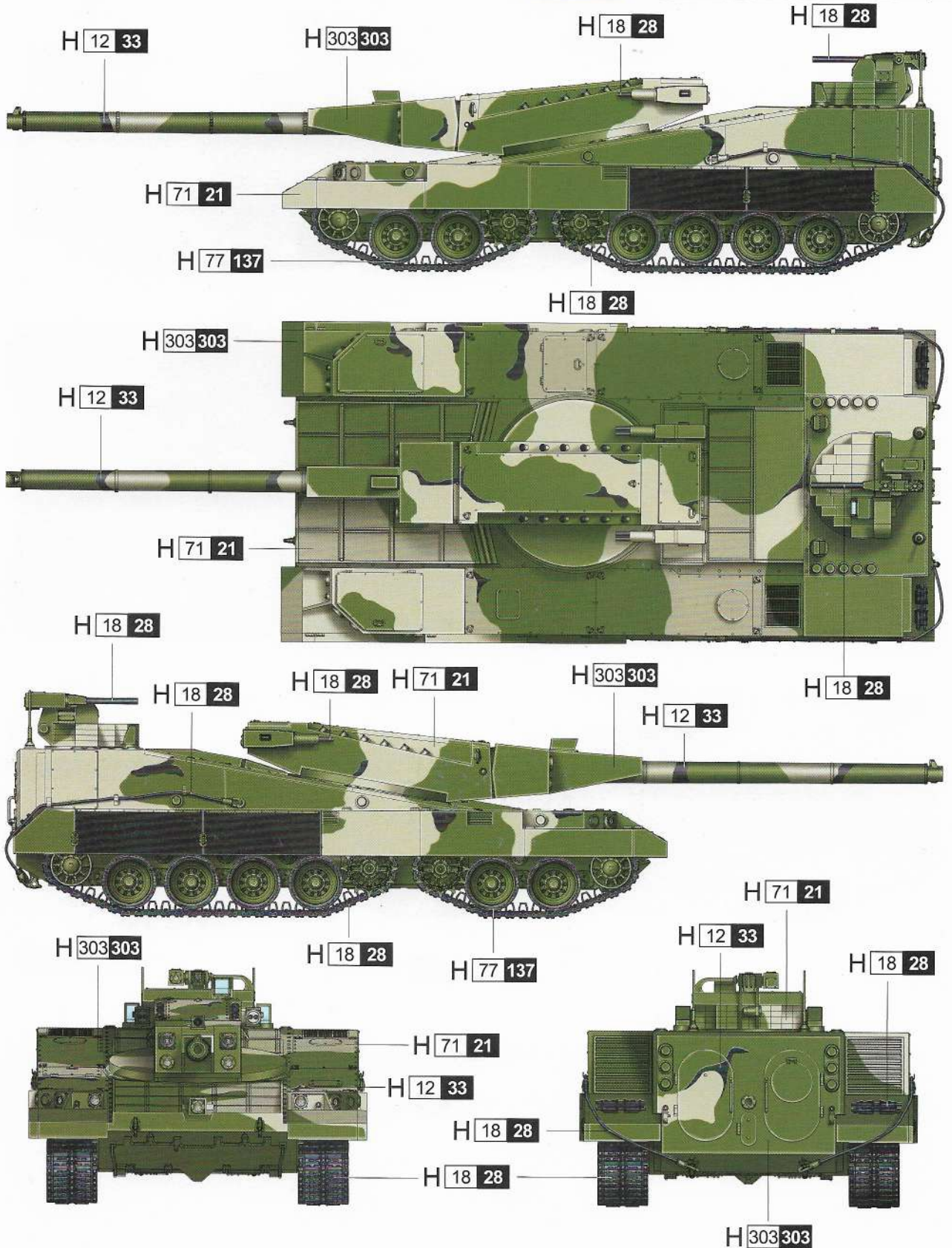
H AQUEOUS HOBBY COLOR Mr. COLOR N ACRYSION COLOR

涂装同标贴指示

Painting & Marking guide

B

PAINT REFERENCE COLOR						
Color	Mr.Hobby	Acrycion	Vallejo	Model Master	Tamiya	Humbrol
Steel 黑铁色	H 18 28	N 18	864	1402	XF84	-
Flat Black 消光黑	H 12 33	N 12	950	1749	XF1	33
Tire Black 胎黑色	H 77 137	N 77	-	-	XF85	-
Middle Stone 土黄色	H 71 21	N 71	821	-	-	84
Light Green 绿色	H 303 303	N 303	-	1713	XF20	117



H AQUEOUS HOBBY COLOR Mr. COLOR N ACRYSION COLOR