

E-100 Flakpanzer w/12.8cm Flak 40

E-100防空坦克(搭载Flak40型128毫米炮)

READ BEFORE ASSEMBLY:

- Study and understand these instructions thoroughly before beginning assembly
- When needed, remove photo-etch parts carefully using a modeling knife or photo etch sprue cutter, being careful not to damage or lose small parts.
- Take extra care in handling photo etch parts in order to avoid injury
- Apply instant cement sparingly to photo etch parts where instructed
- Tools recommended(not included in kit):Plastic and instant cements, sprue cutters,long nose pliers,modeling knife, small files, tweezers, pin vise & scissors. Soft cloth and sandpaper will also assist in construction
- Glue and paint are not included in the kit. Use plastic cement and hobby paints only. Color guide for purchasing paint is included in the kit.

装配之前仔细阅读

- 小心用模型锉刀锉平所有零件表面的注射浇口。
- 小心用刀片切下蚀刻片零件，不要遗失小零件。
- 用强力快干胶水粘合蚀刻片零件和金属轴。过量快干胶水使用可能导致可动零件会粘住，小心涂胶。
- 取蚀刻片时应特别注意安全，防止利边划伤手指。
- 某些零件表面需贴水上贴纸，请选择在装配的同时进行。
- 推荐模型工具(自备)：胶水，水口剪刀，长咀钳，刀片，锉刀，镊子，钳，钻，剪刀，瞬间快干胶。
- 软布同砂纸同时也是所需工具。
- 请使用塑料胶水和油漆，模型内不含。



使用强力胶
Cyanoacrylate glue



配重
Weight



钻孔
Make hole



切除
Cut / Remove



贴纸
Decal



锉平
File / Sand



选择
Option



不涂胶水
No cement



弯曲
Bend



先装
Install it first



填补
Repair

水贴纸的使用:

- 1.从水贴上剪下印花;
- 2.将印花放入温水中浸10秒,然后放在干净布上.
- 3.拿着印花纸板将印花移到模型上;
- 4.手指蘸水将印花移到适当的位置;
- 5.用软布轻压印花直至水干,气泡消失

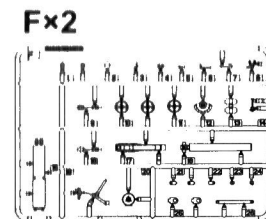
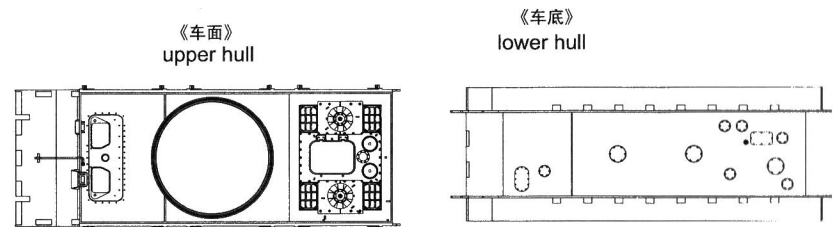
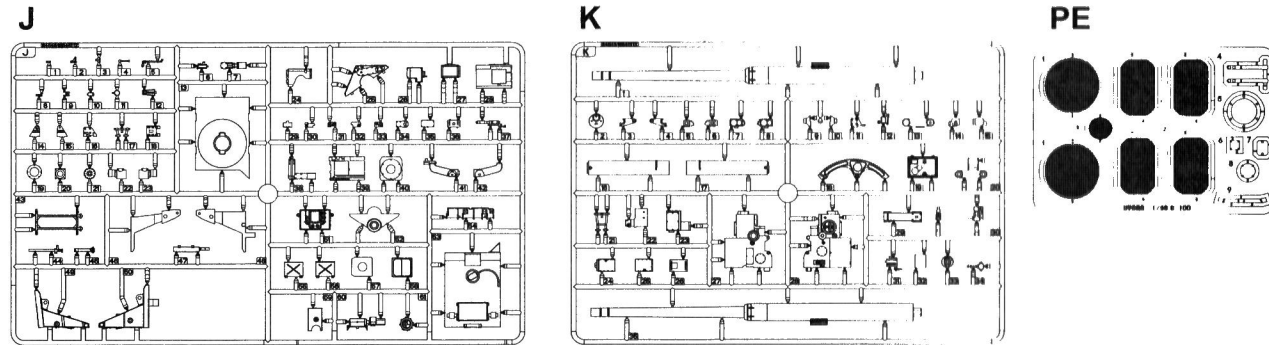
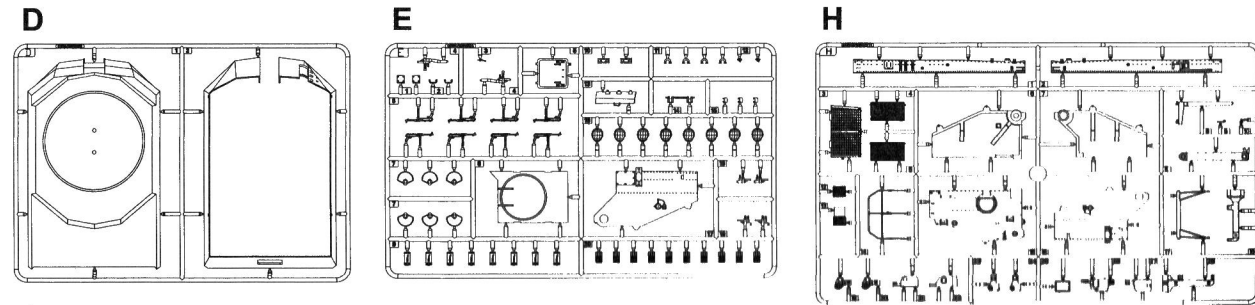
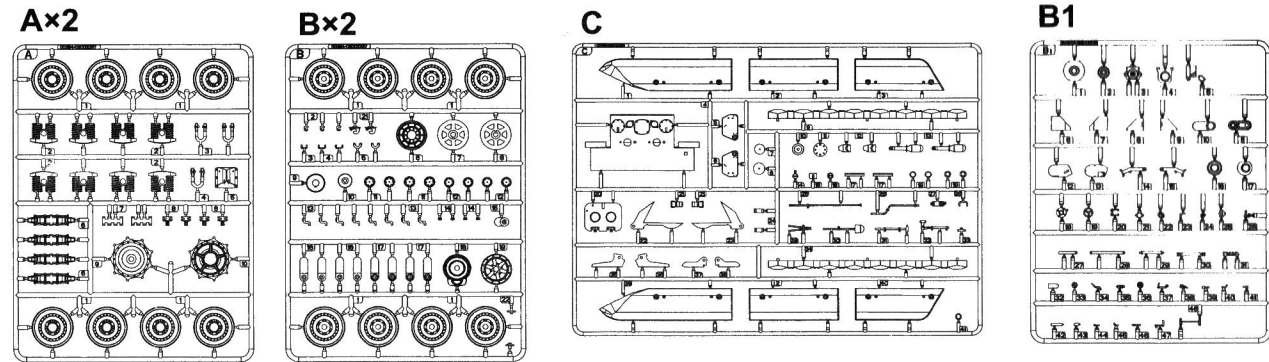
DECAL APPLICATION

- 1.Cut decals from sheet as needed
- 2.Dip the decal in warm water for about 10 seconds and then place on soft clean cloth.
- 3.Hold the decal backing sheet edge and gently slide the decal onto the model in its proper position.

- 4.While still wet,decal can be adjusted for better fit on model by dampening it gently with your finger.
- 5.When placed in the proper position,gently press decal down with a soft cloth until excess water and air bubbles are gone.
- 6.Allow decal to dry completely before handling model

* 说明书中含有重要信息，应保留。 Please Keep instruction since it contains important information.

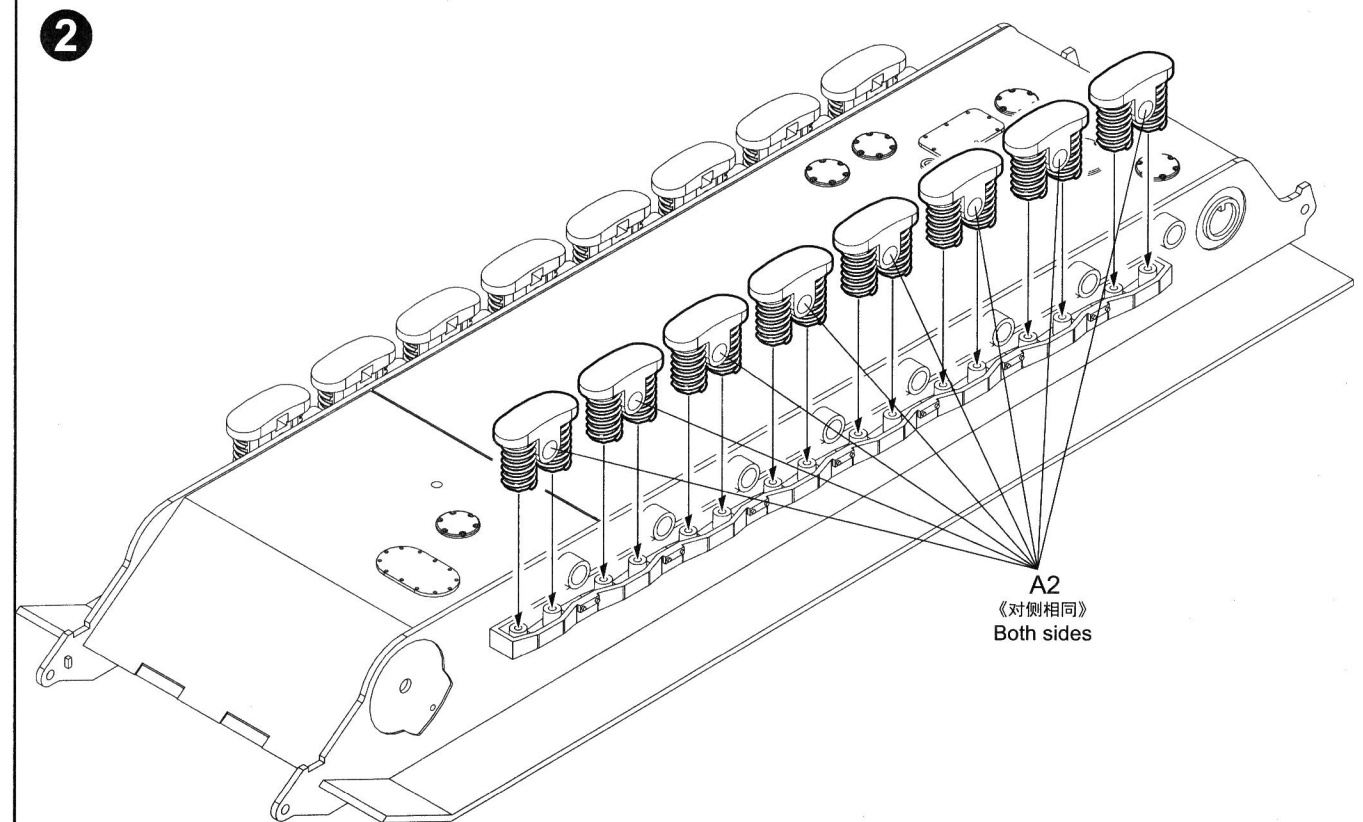
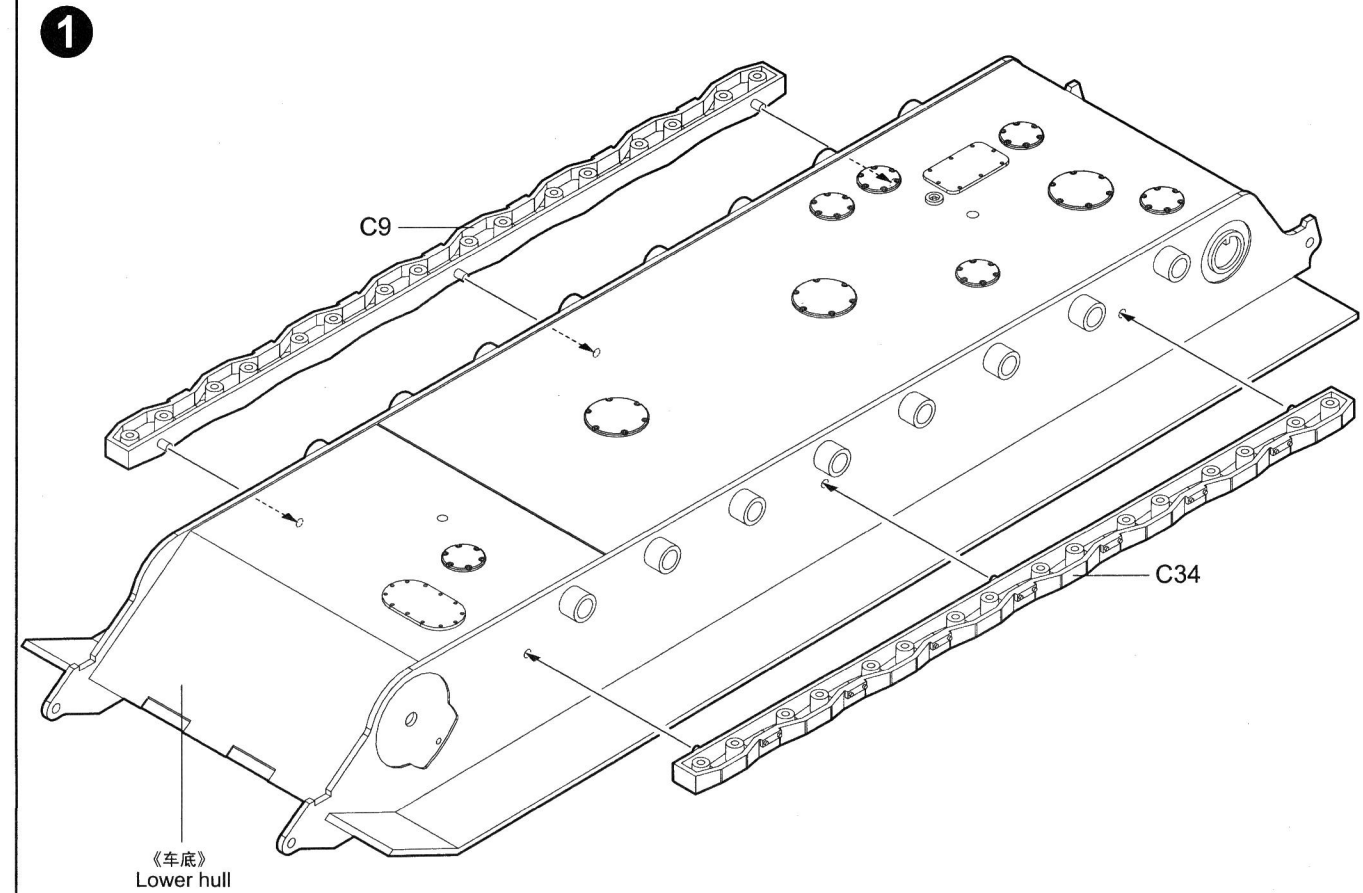
部品图
Parts

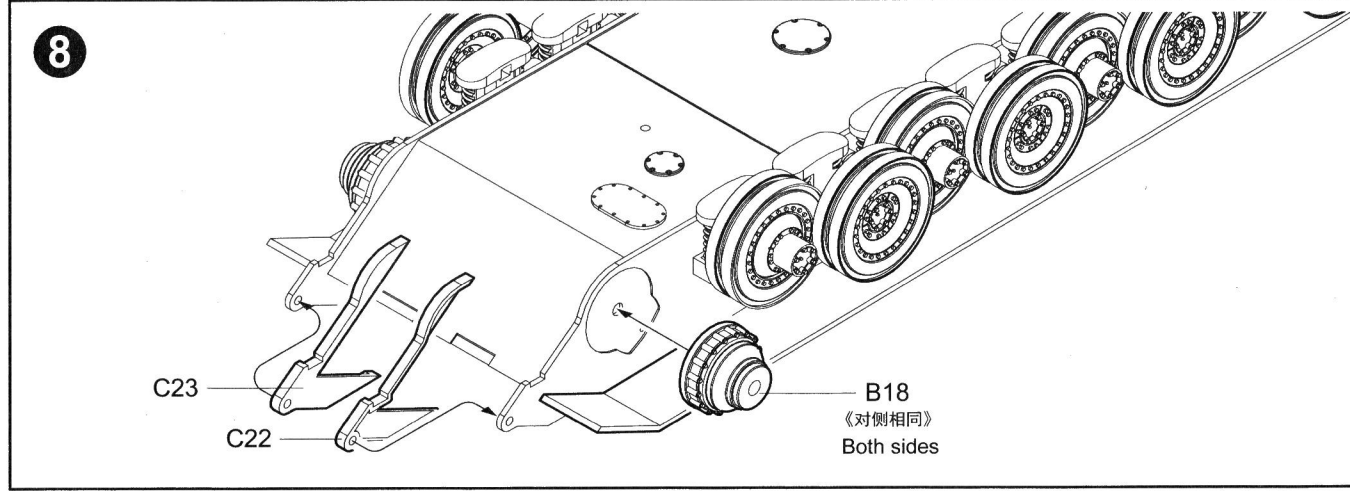
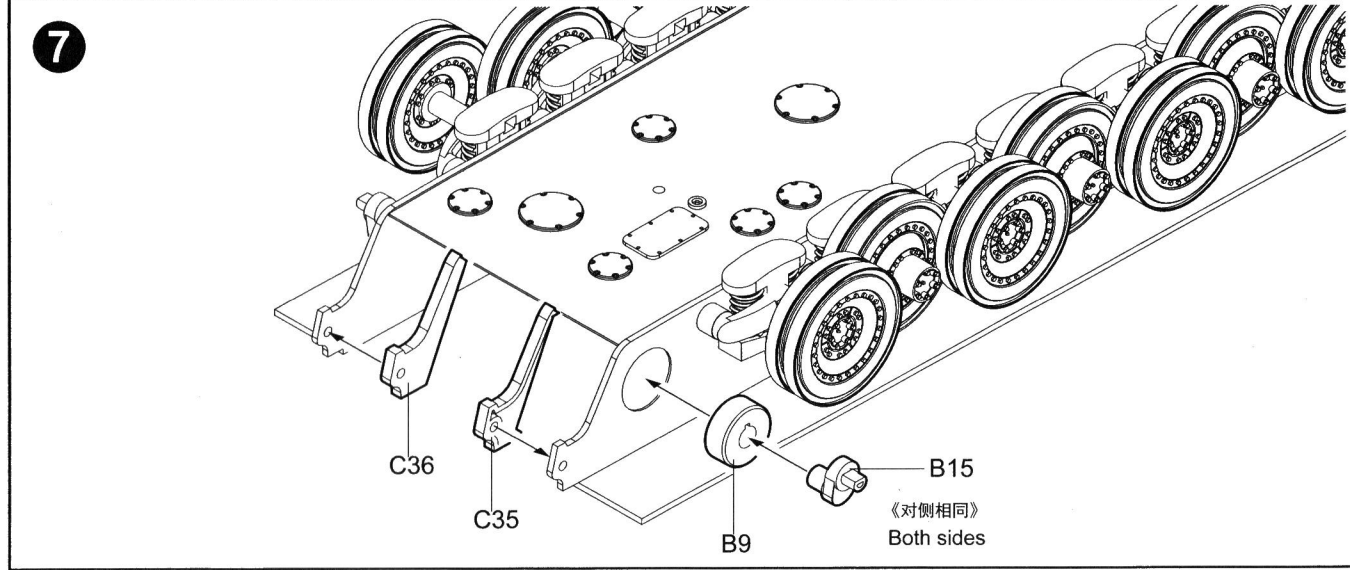
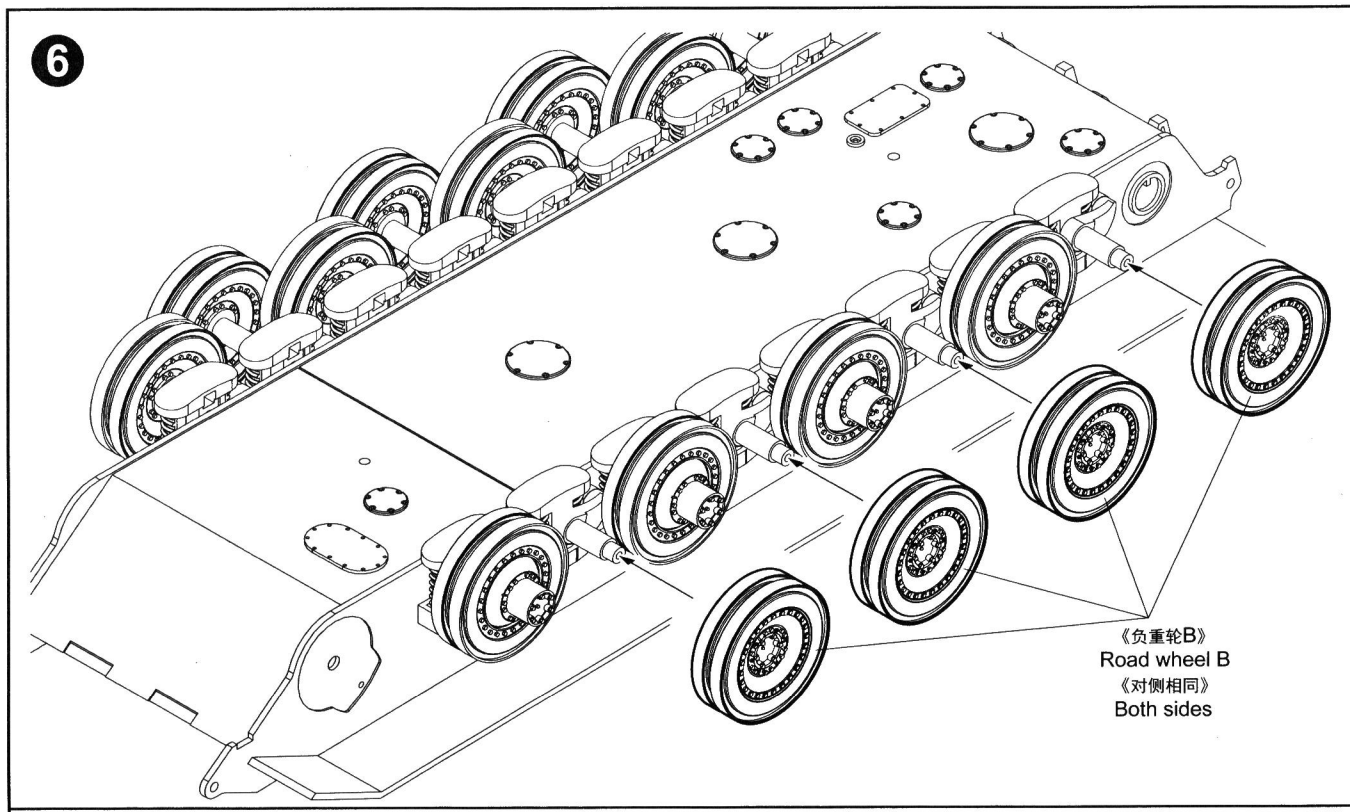
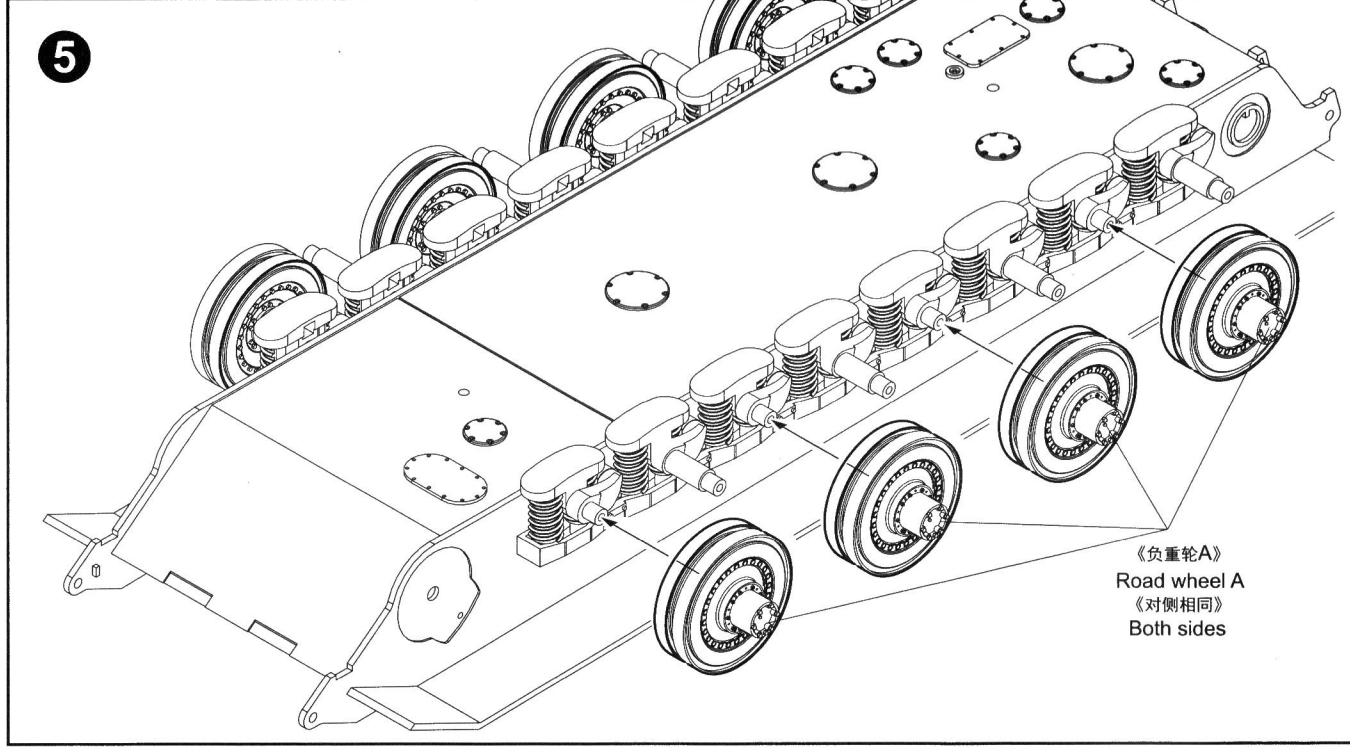
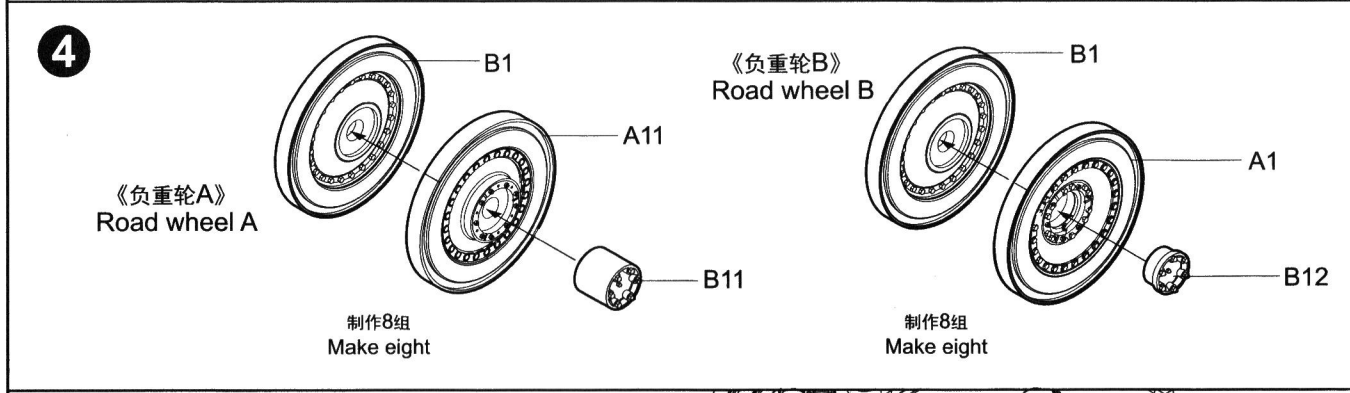
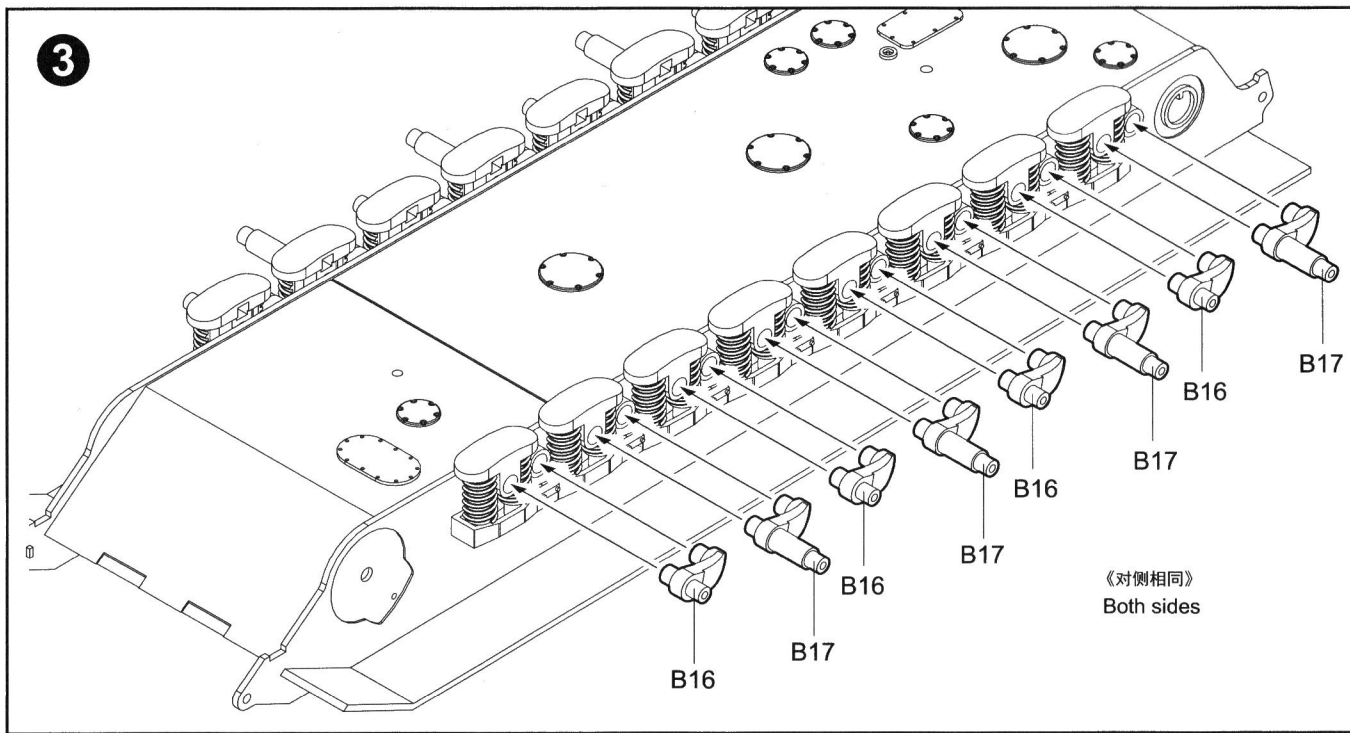


《水贴》
Decal

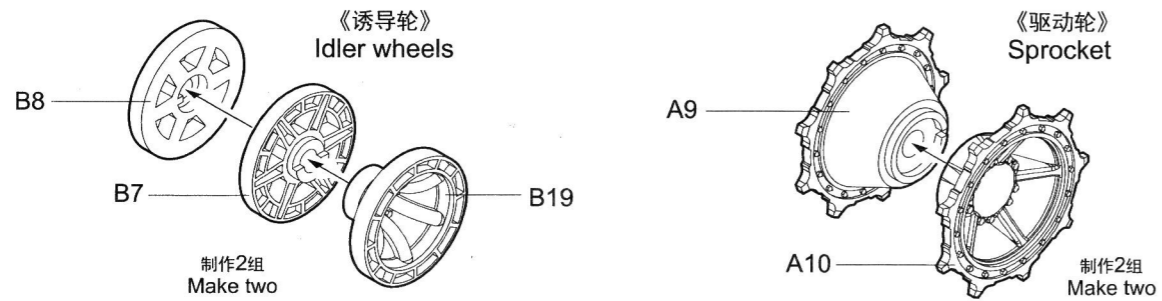


不用零件: A6、A7、A8、B13、B14、C11、C27、C30、C31、C32
Unused Parts F8、F9、F12、F13、F16、F19、F21、F22、F23、F24
H3、H4、H5、H8、H9、H12、H13、H14、H16、H17
J13、J43、K3、K4、K13、K20、B1-27、B1-28、B1-30



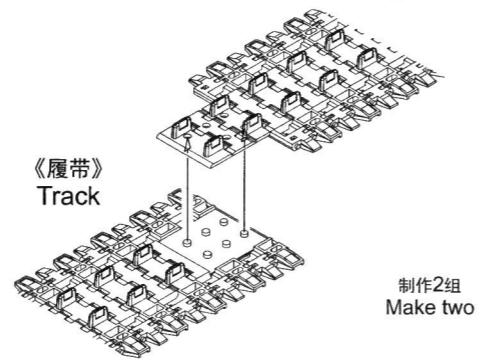


9

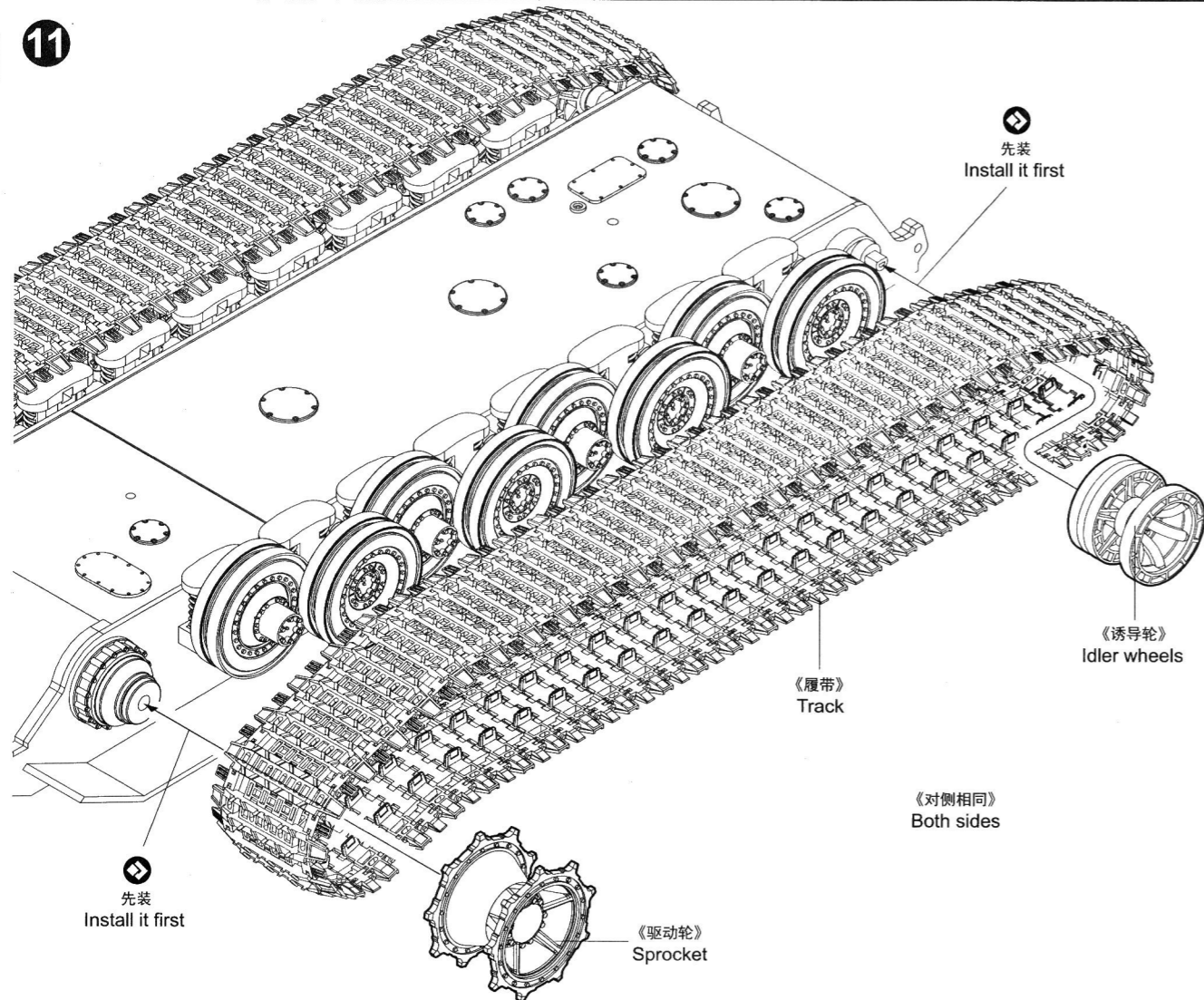


10

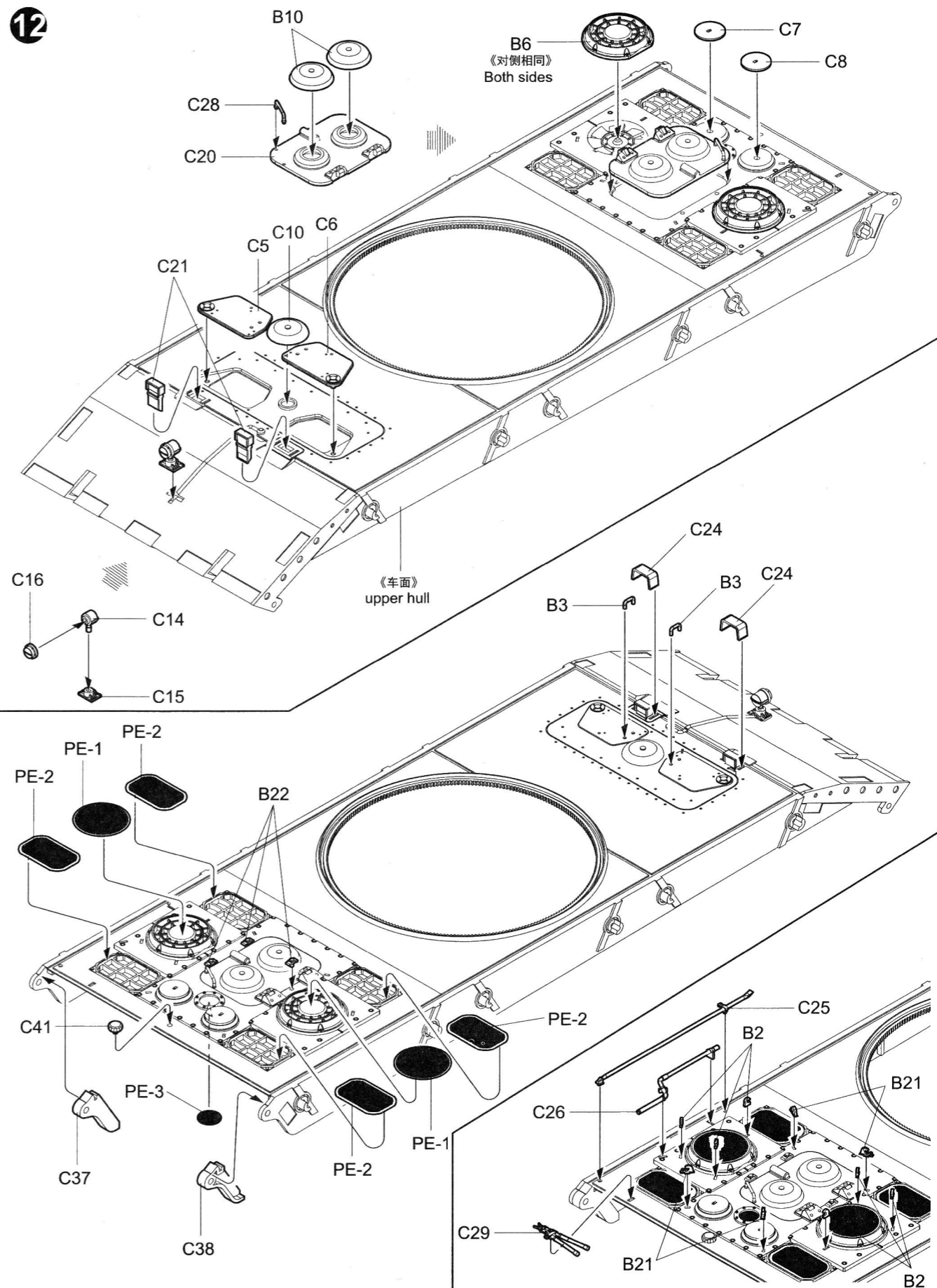
履带可用塑料胶水粘合。
履带可用模型油漆喷涂。
若履带断裂，用细丝线固定。
The tracks in this kit can be glued using plastic cement.
The tracks can be painted using plastic paints.
If track is broken strengthen with staples or thread.



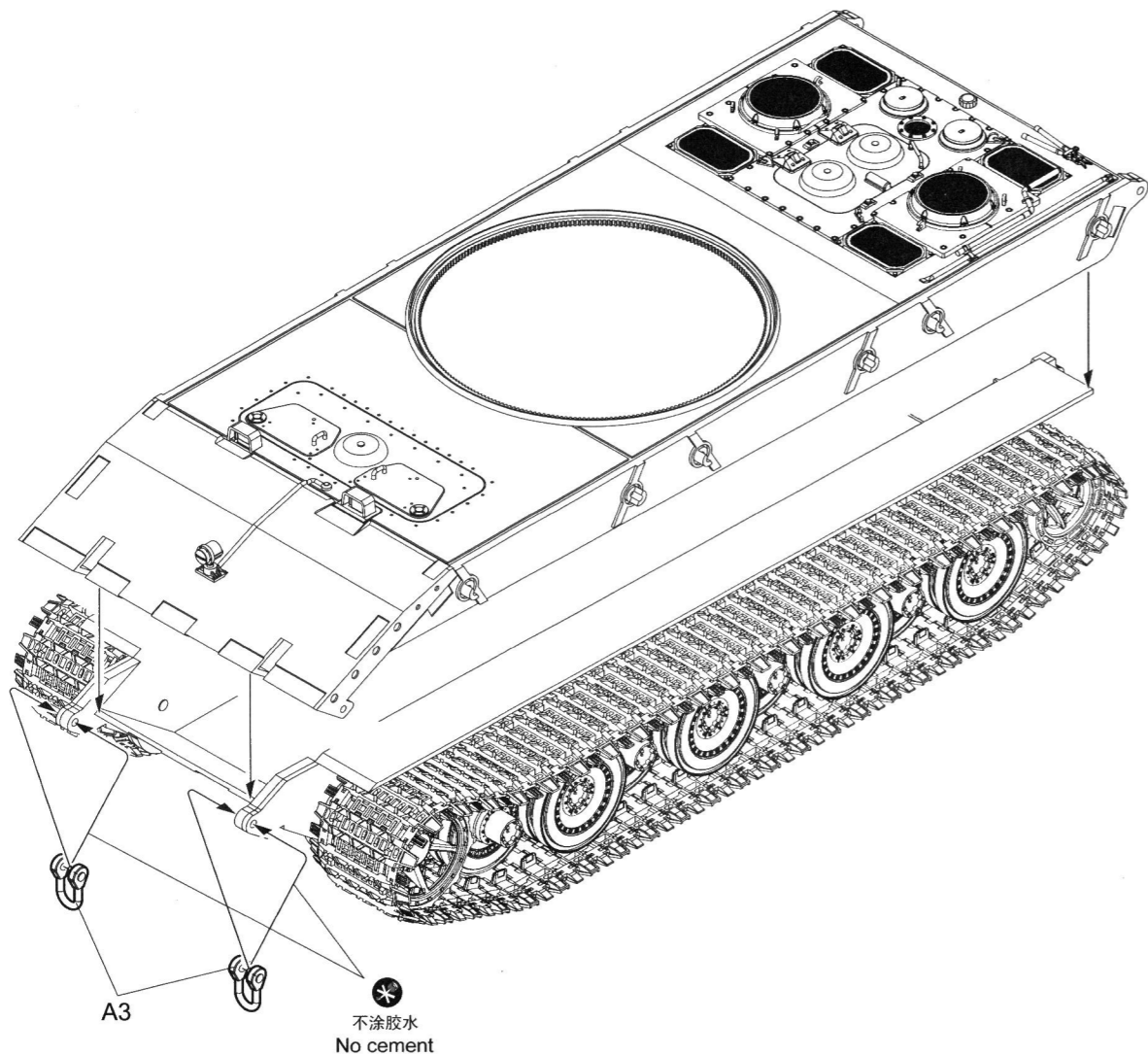
11



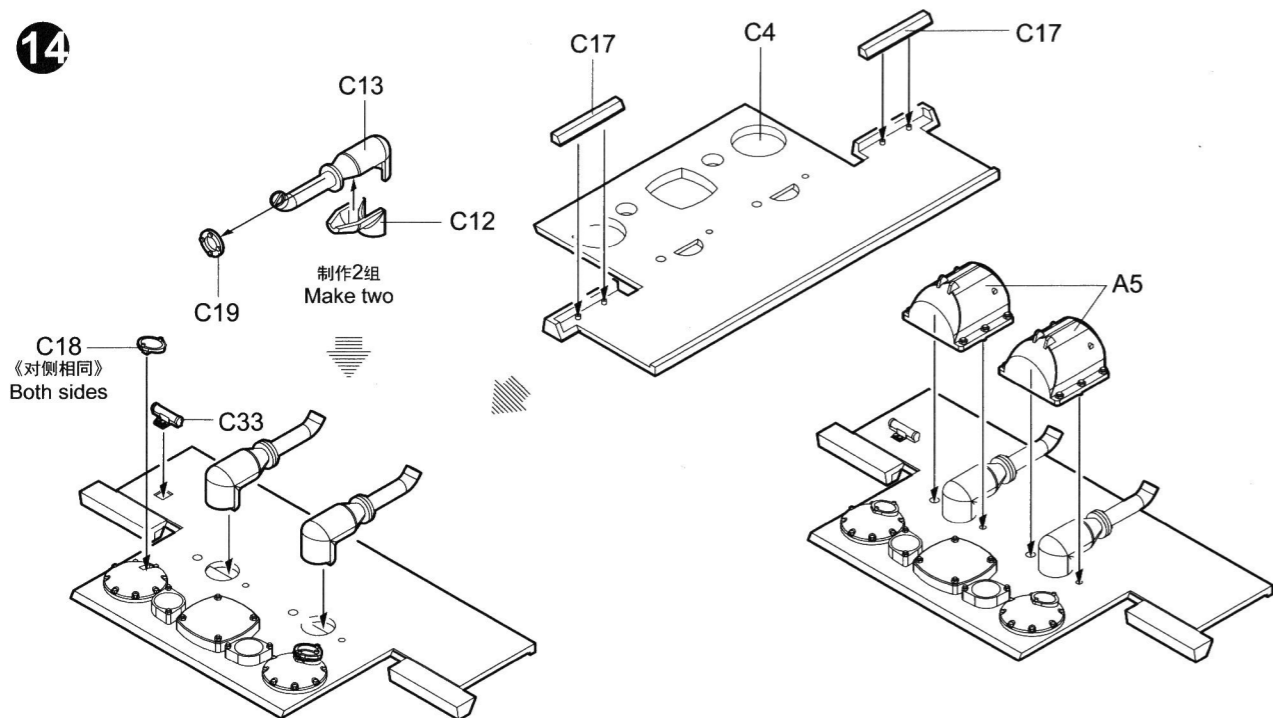
12



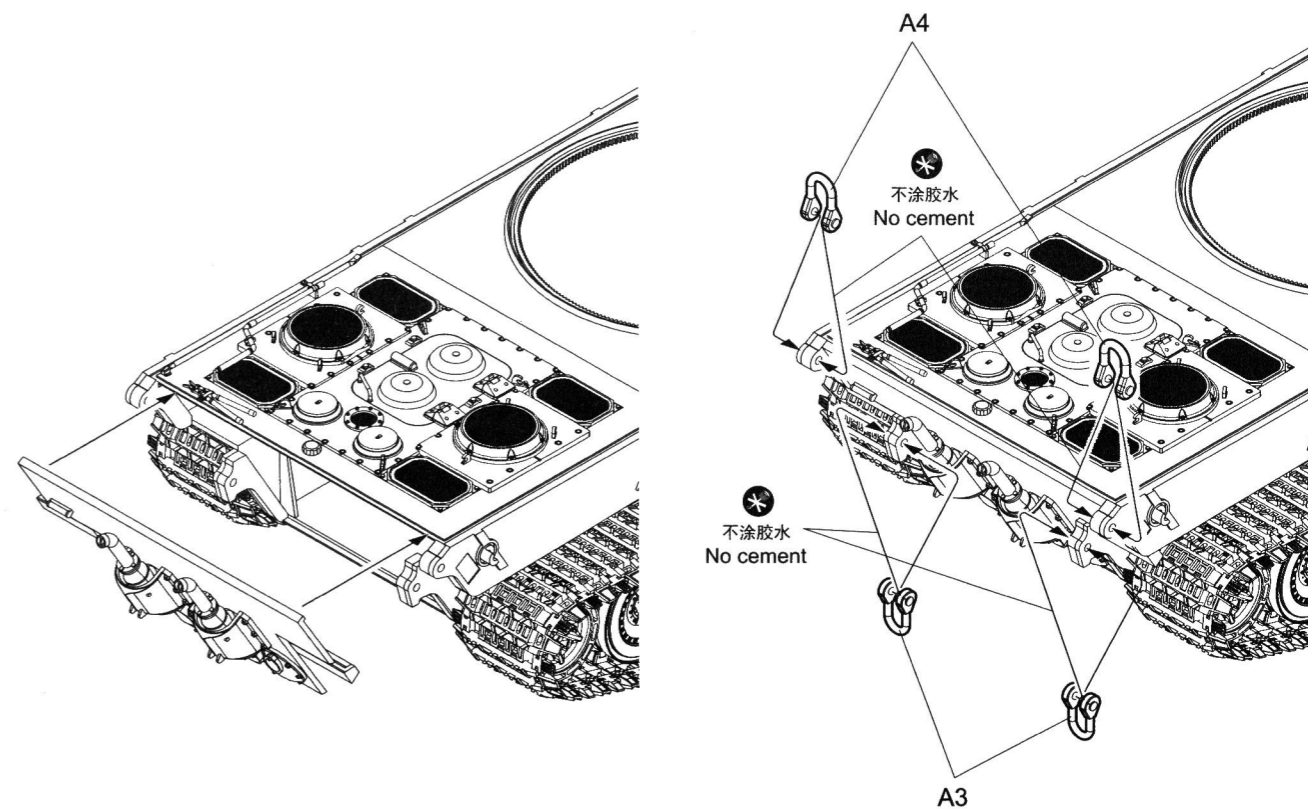
13



14

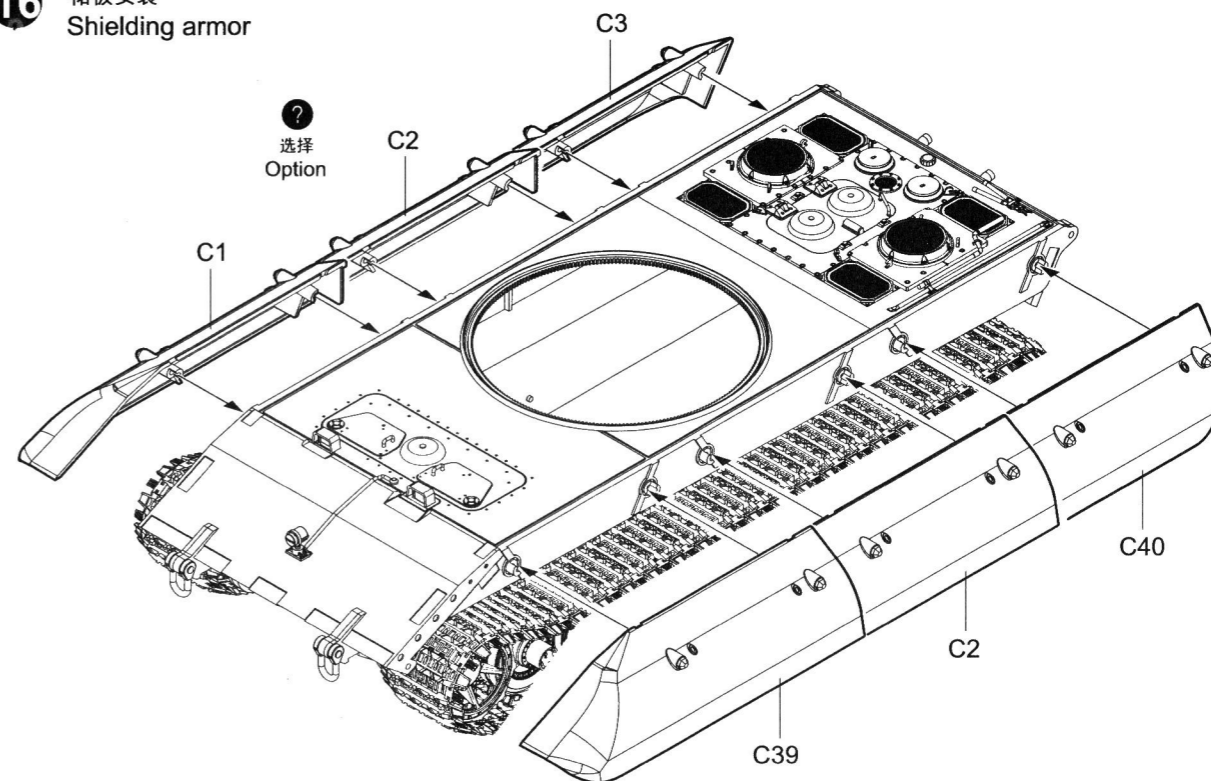


15

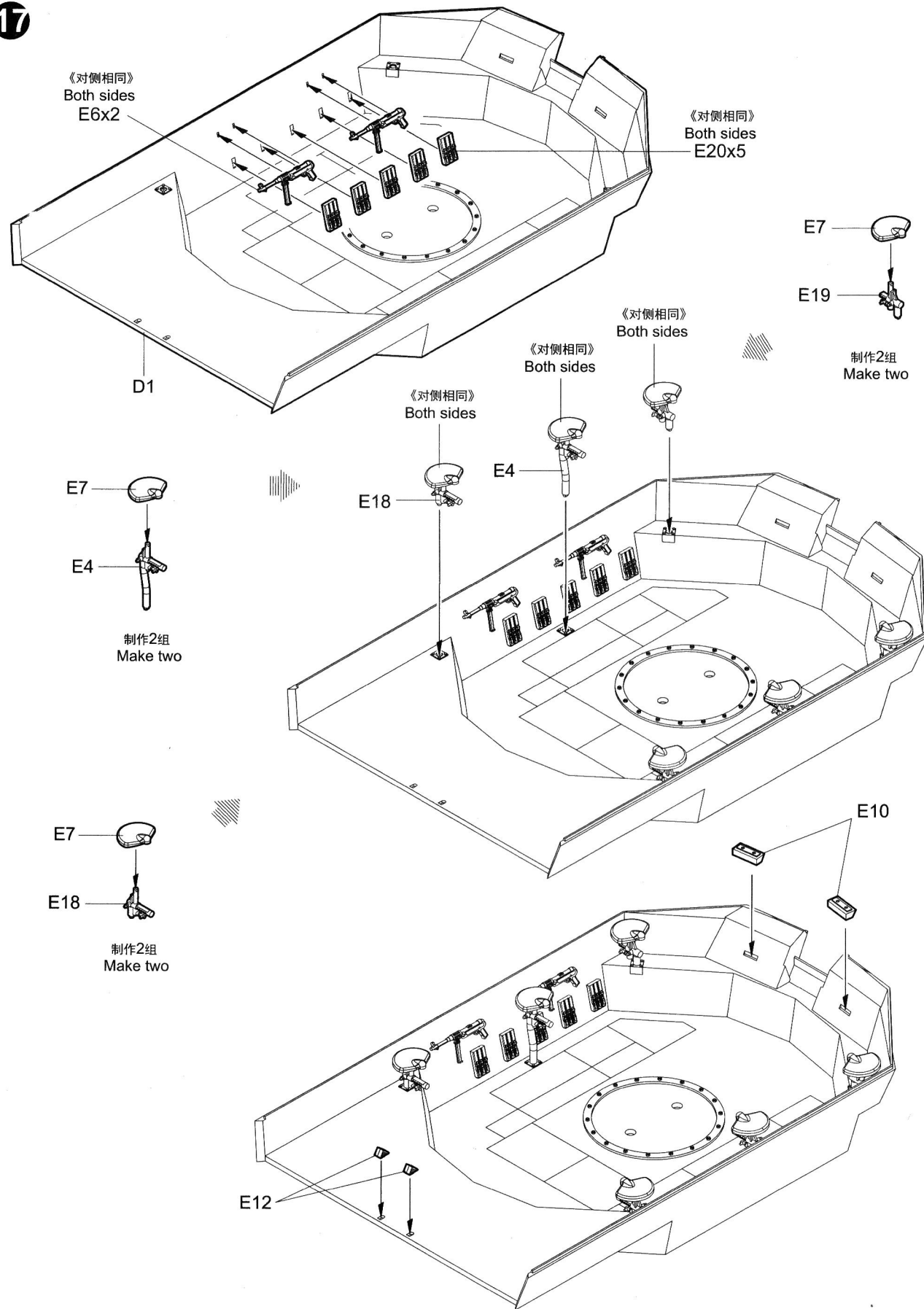


16

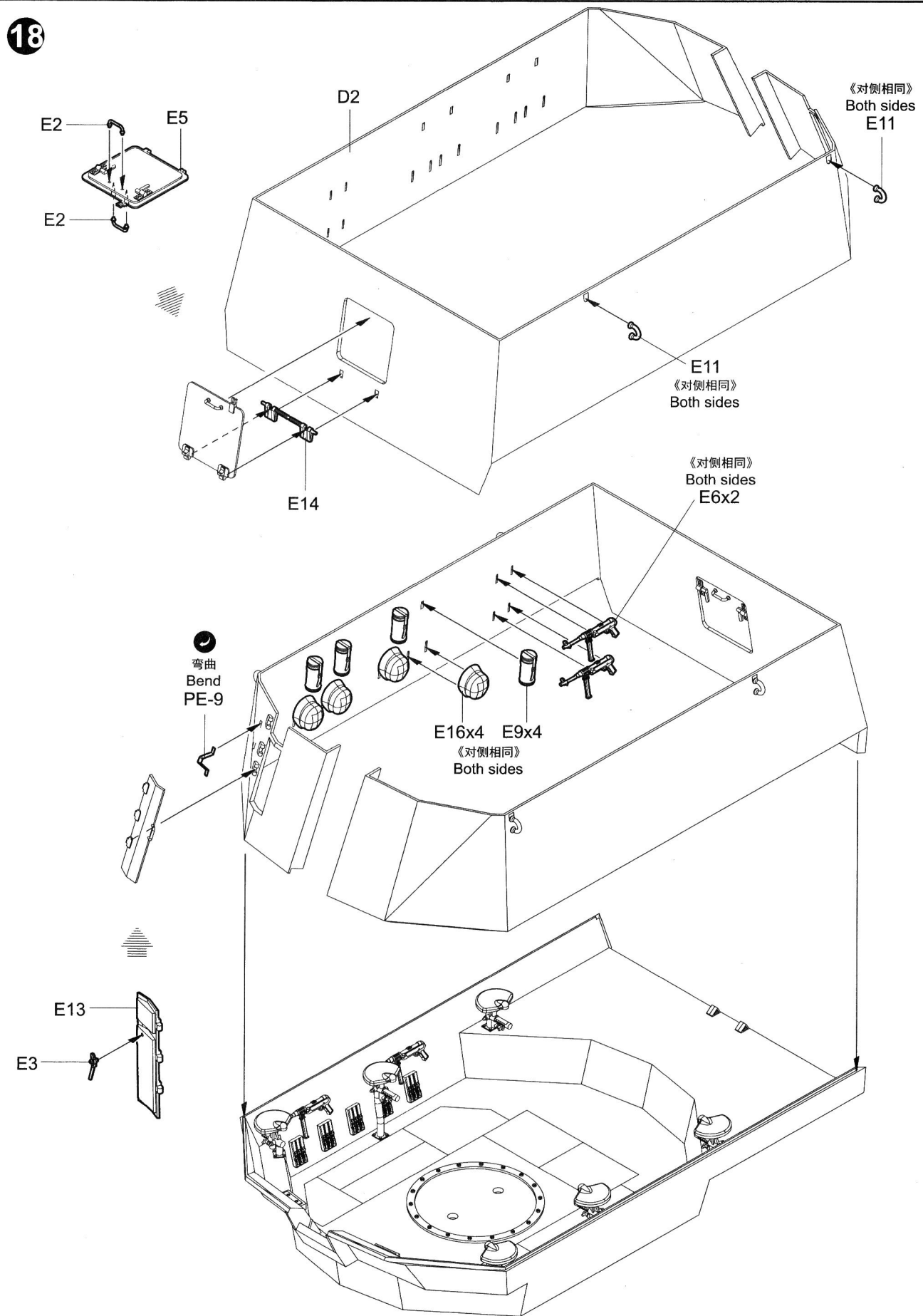
裙板安装
Shielding armor



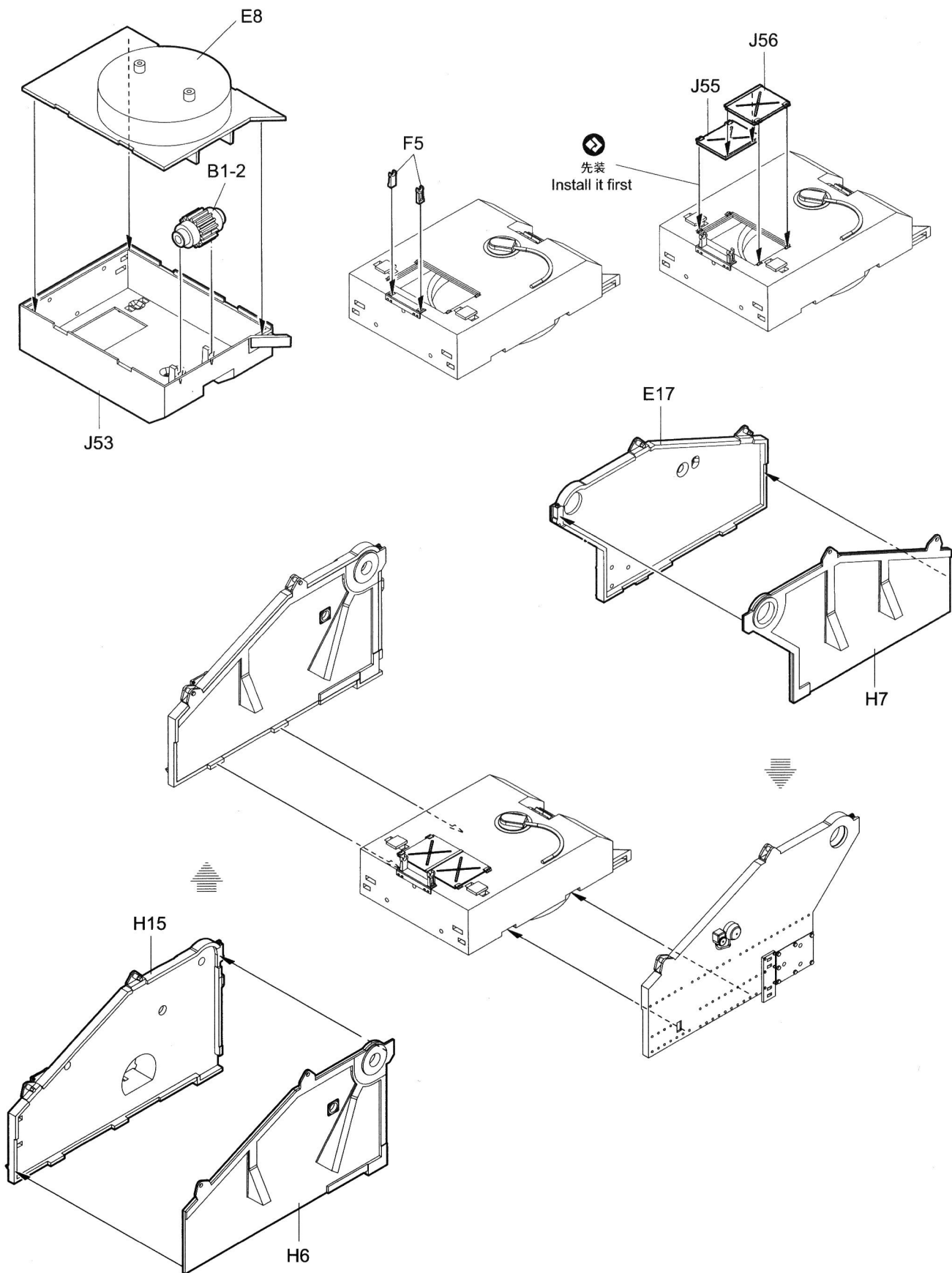
17



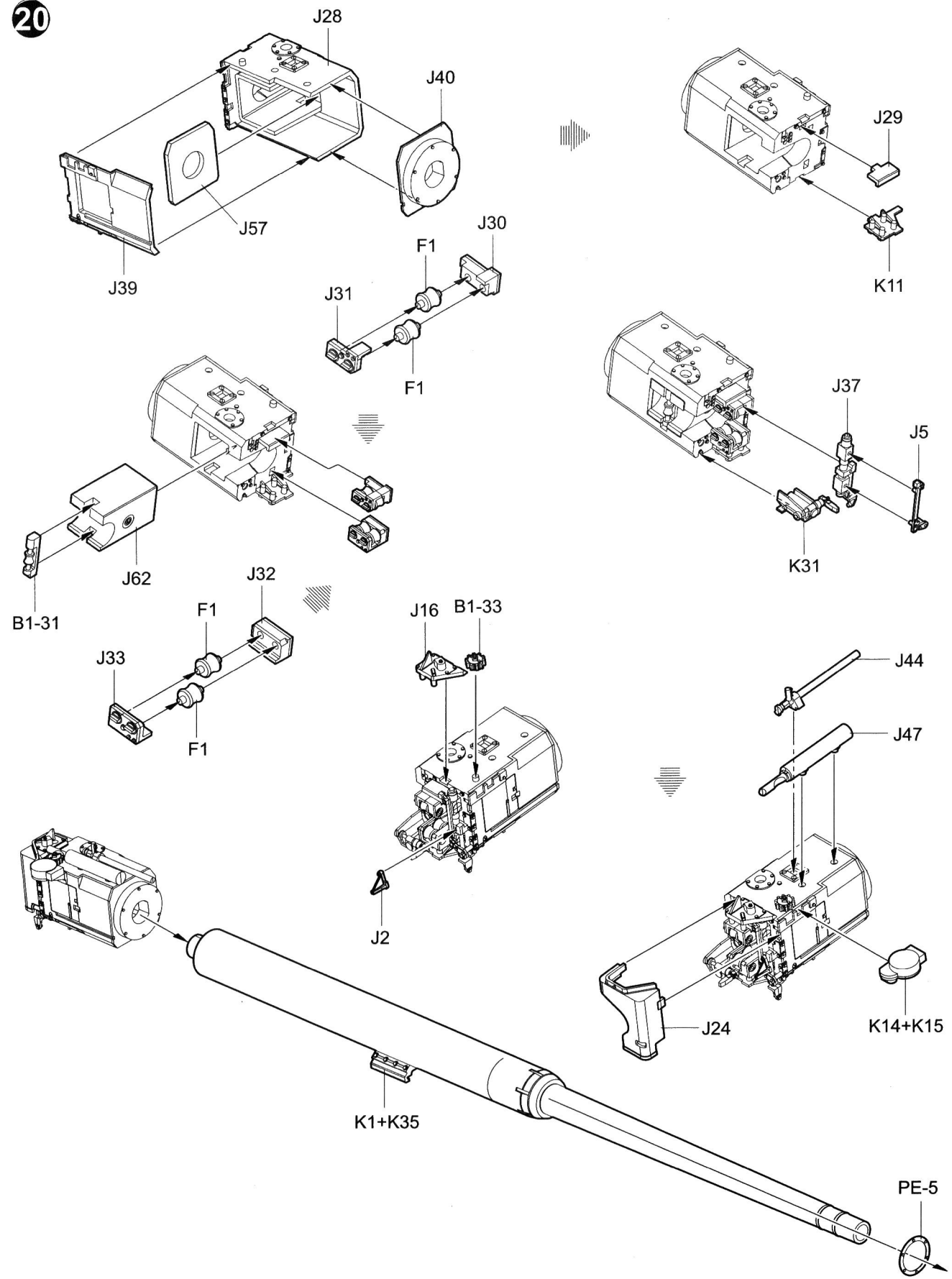
18



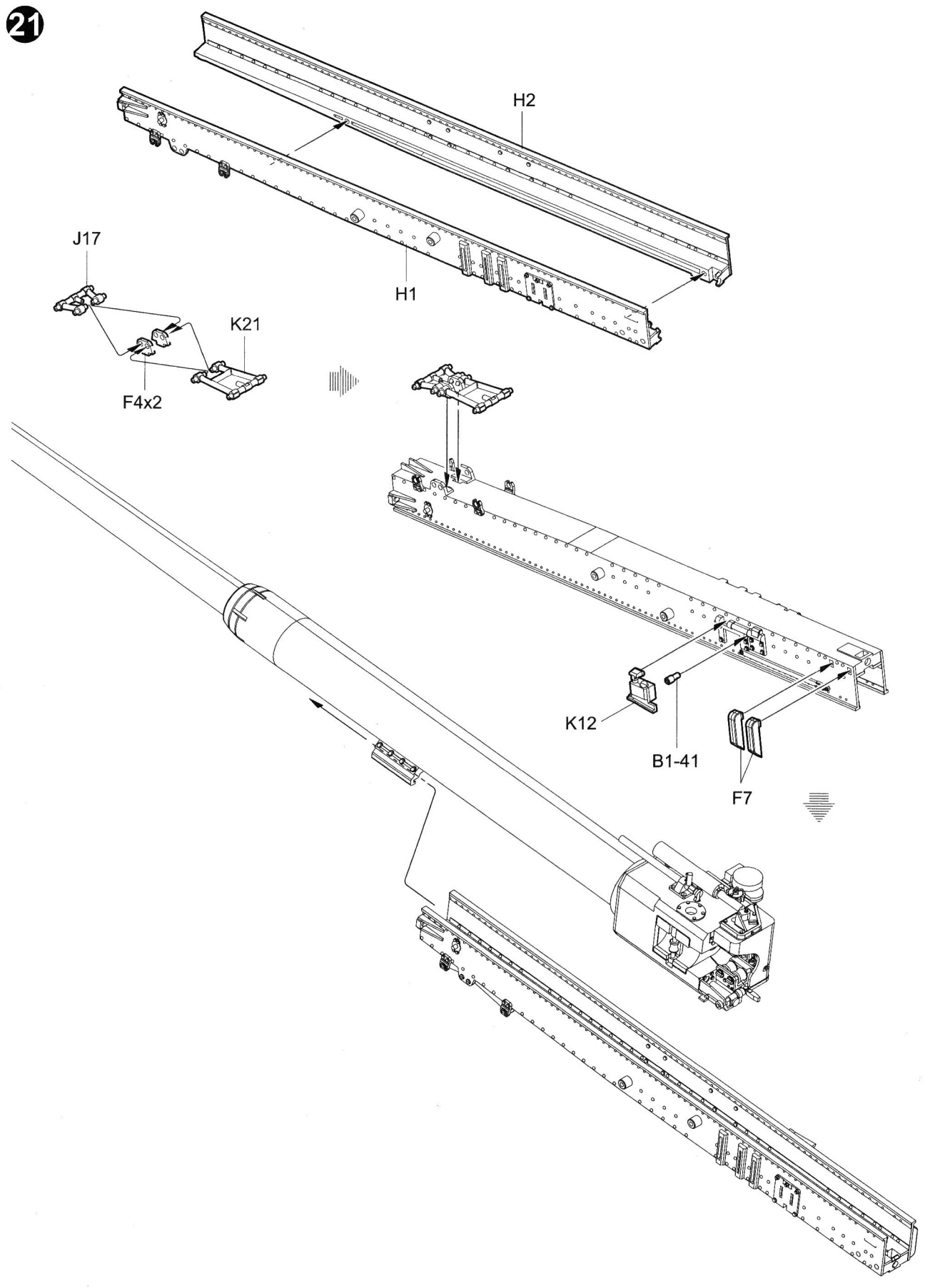
19



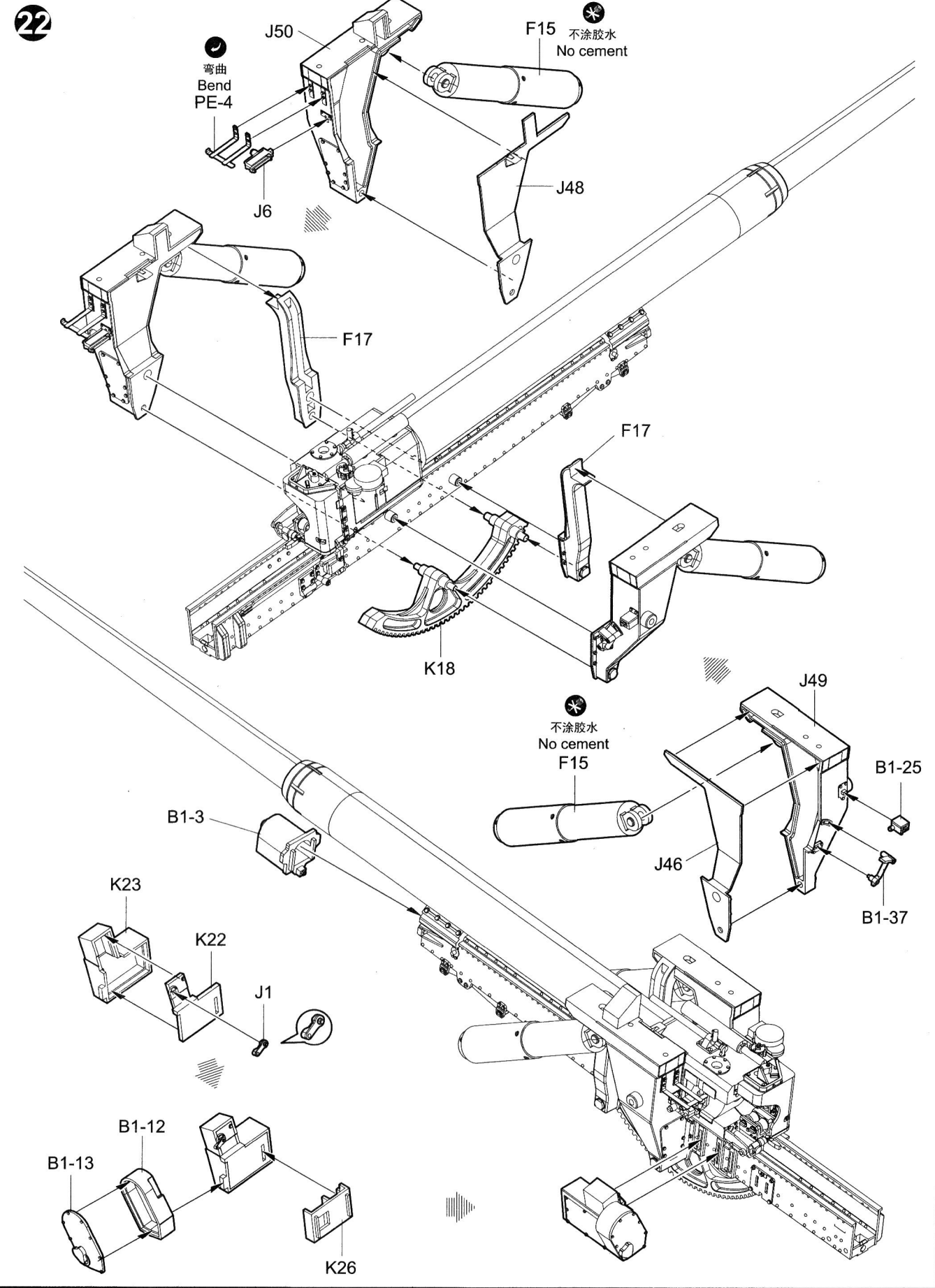
20



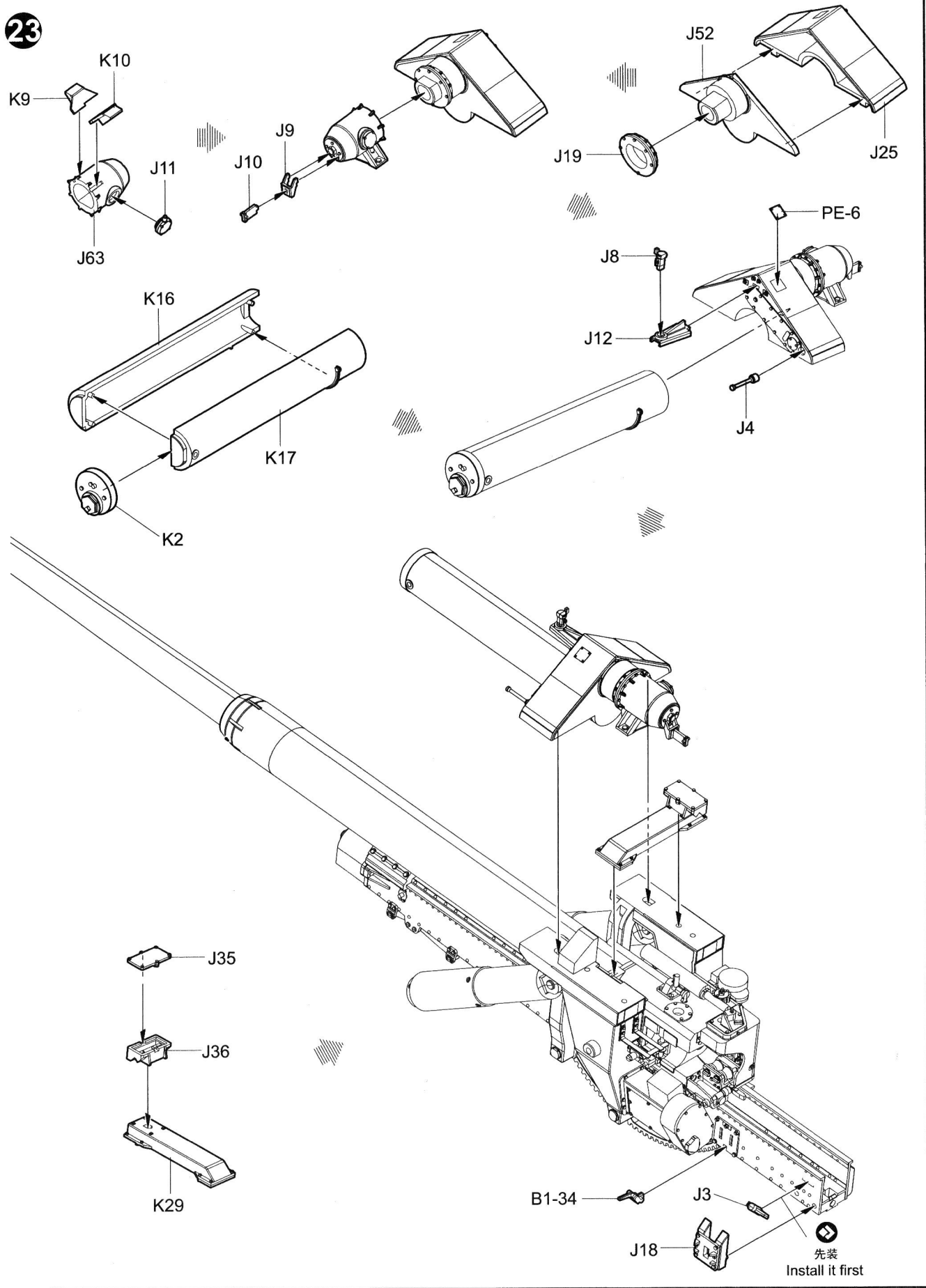
21



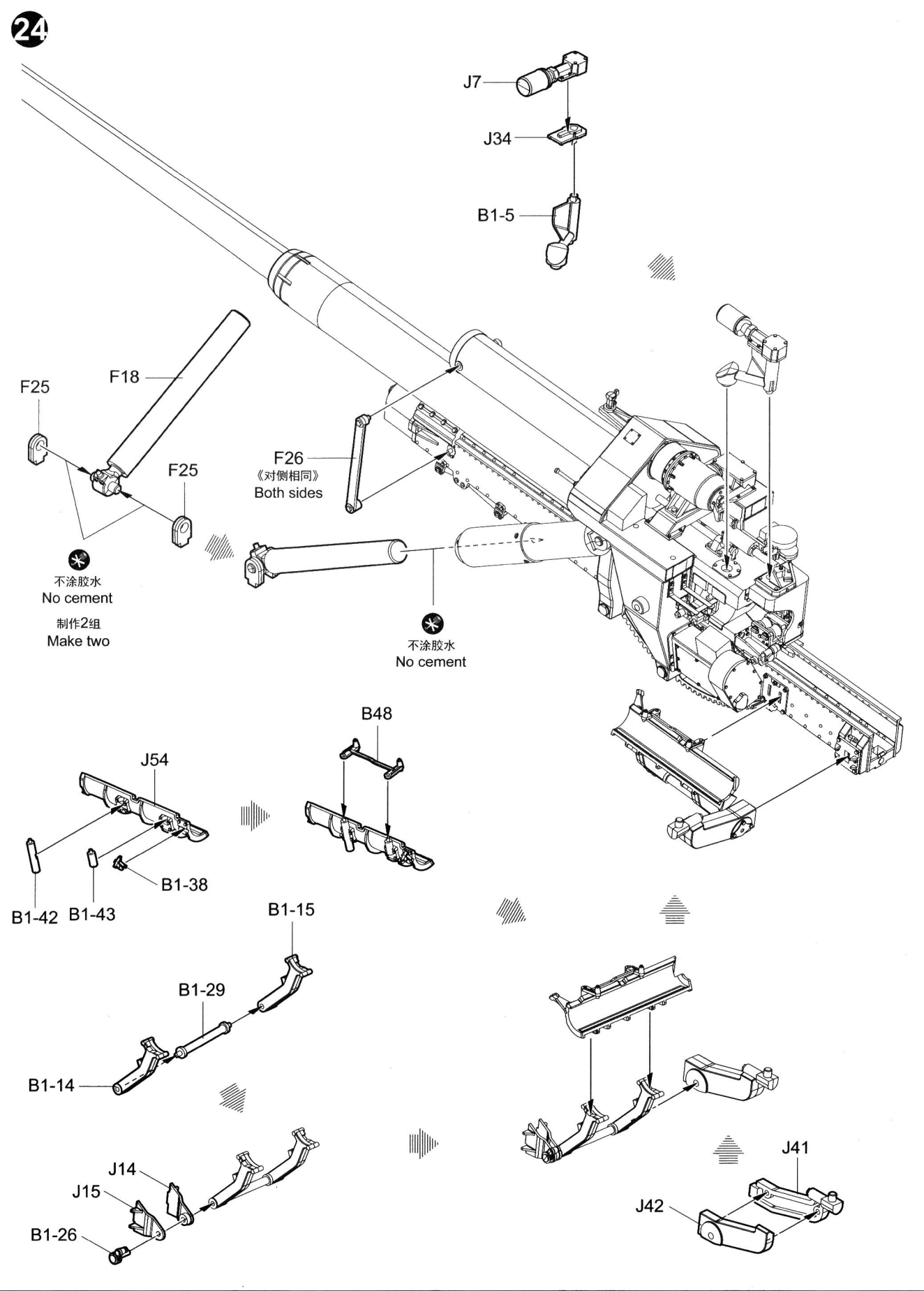
22



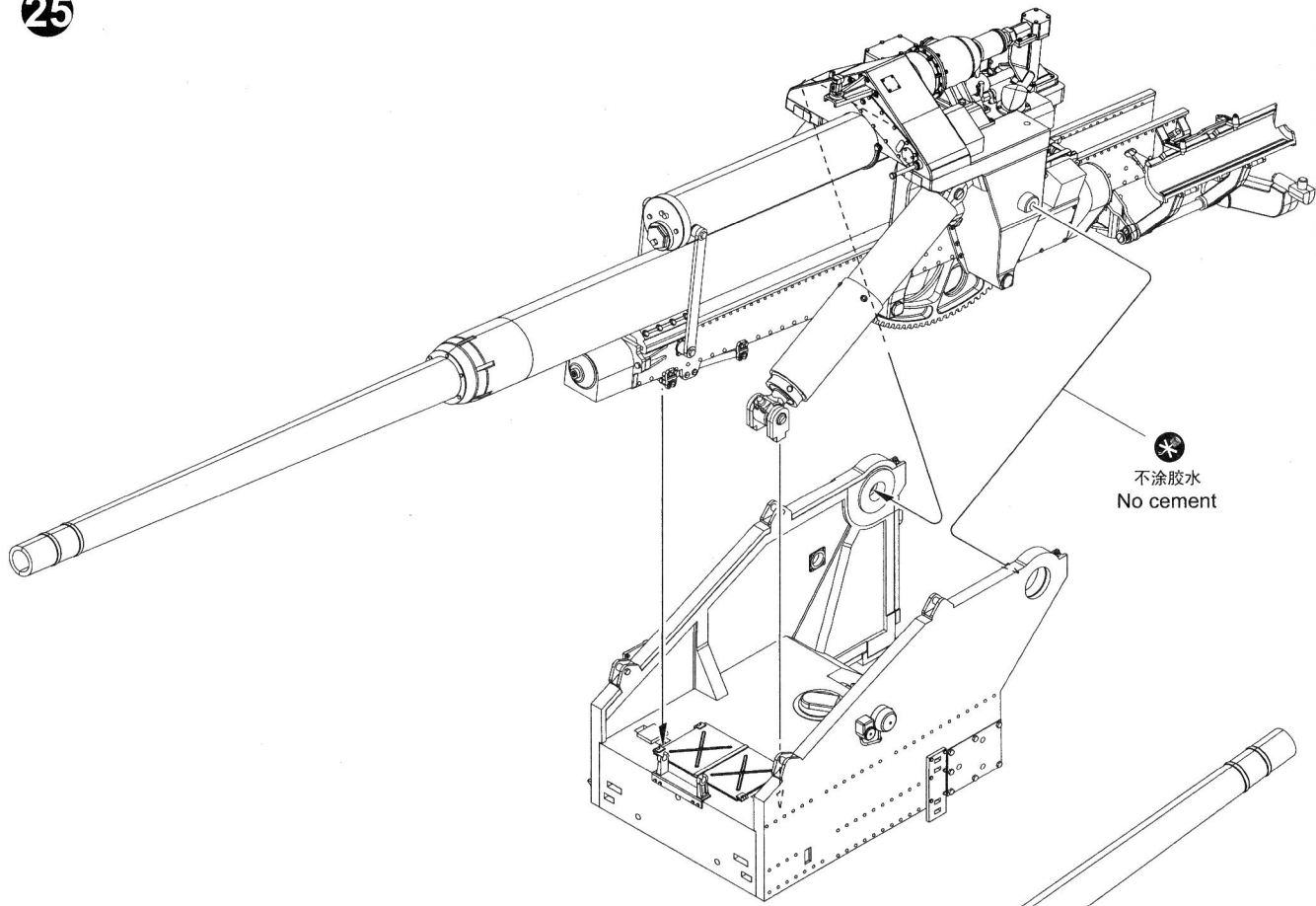
23



24



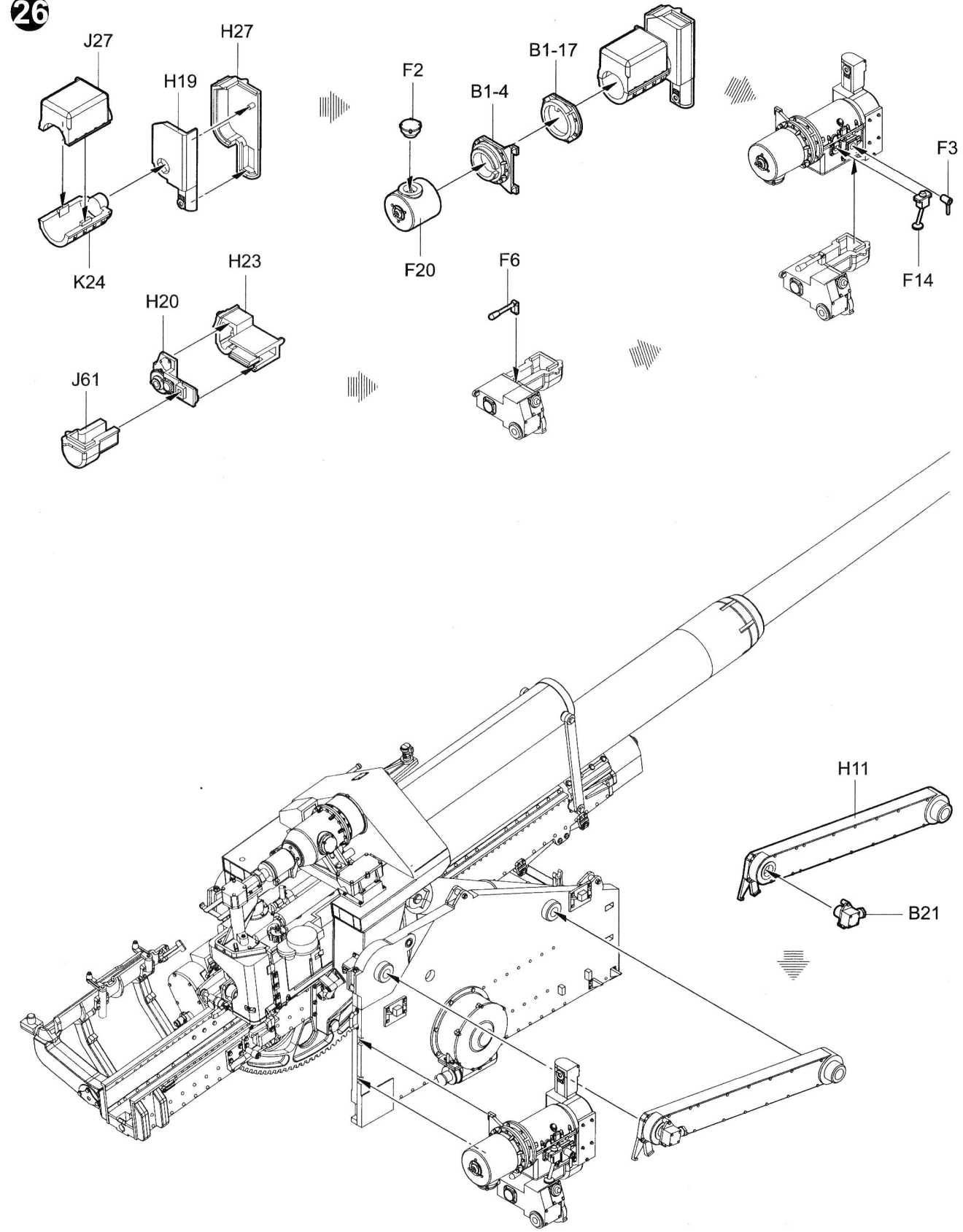
25



09585

18

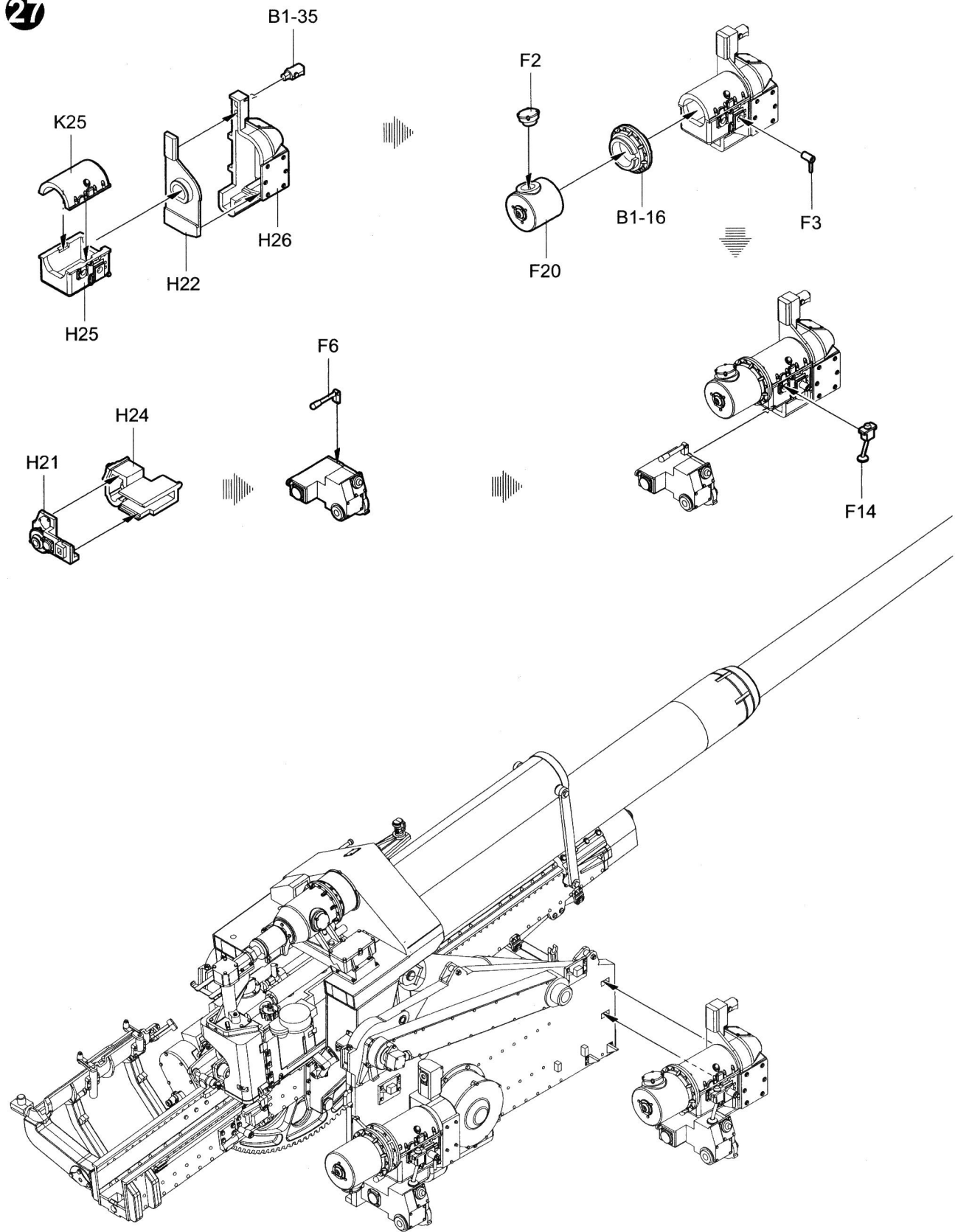
26



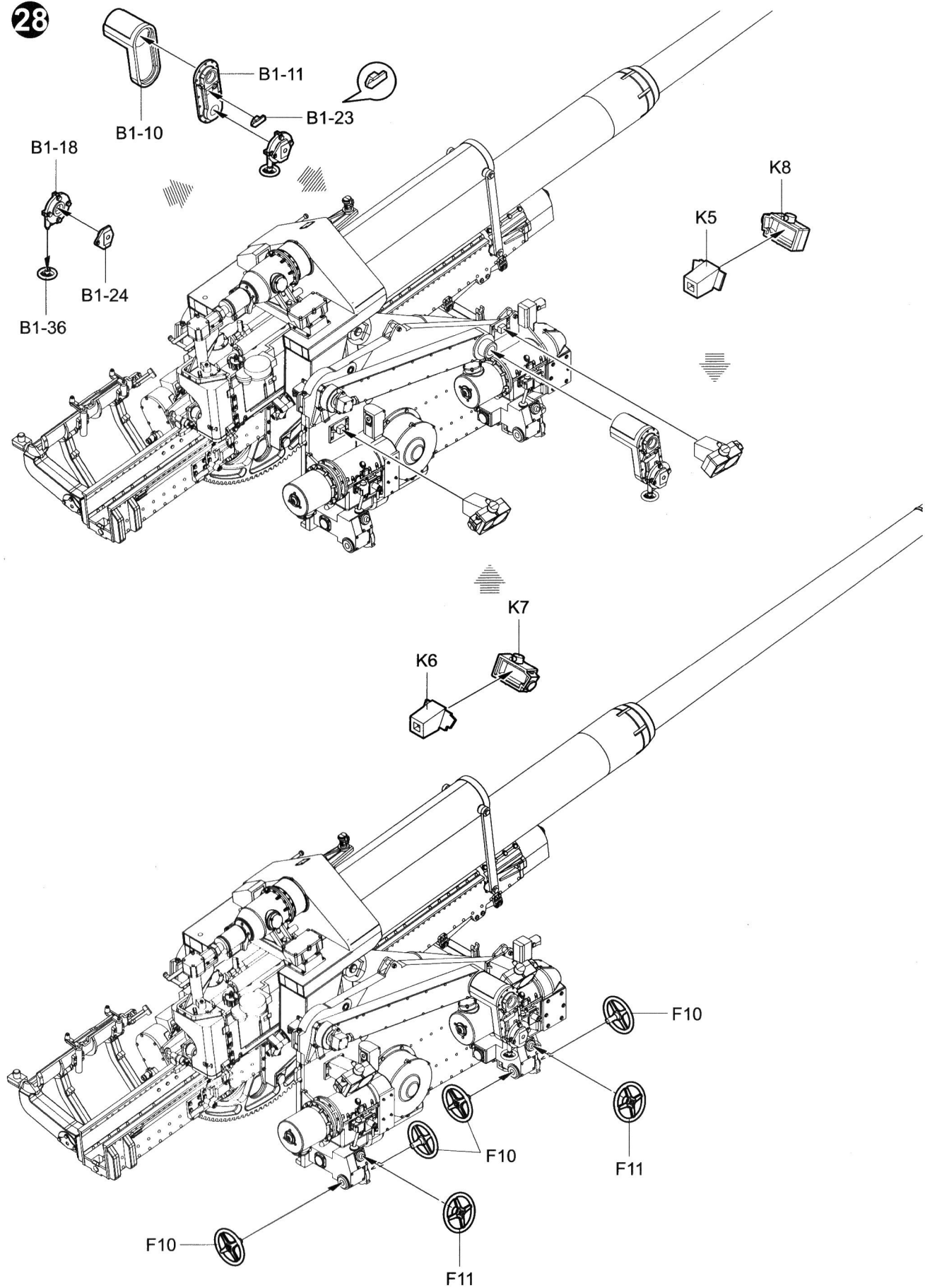
09585

19

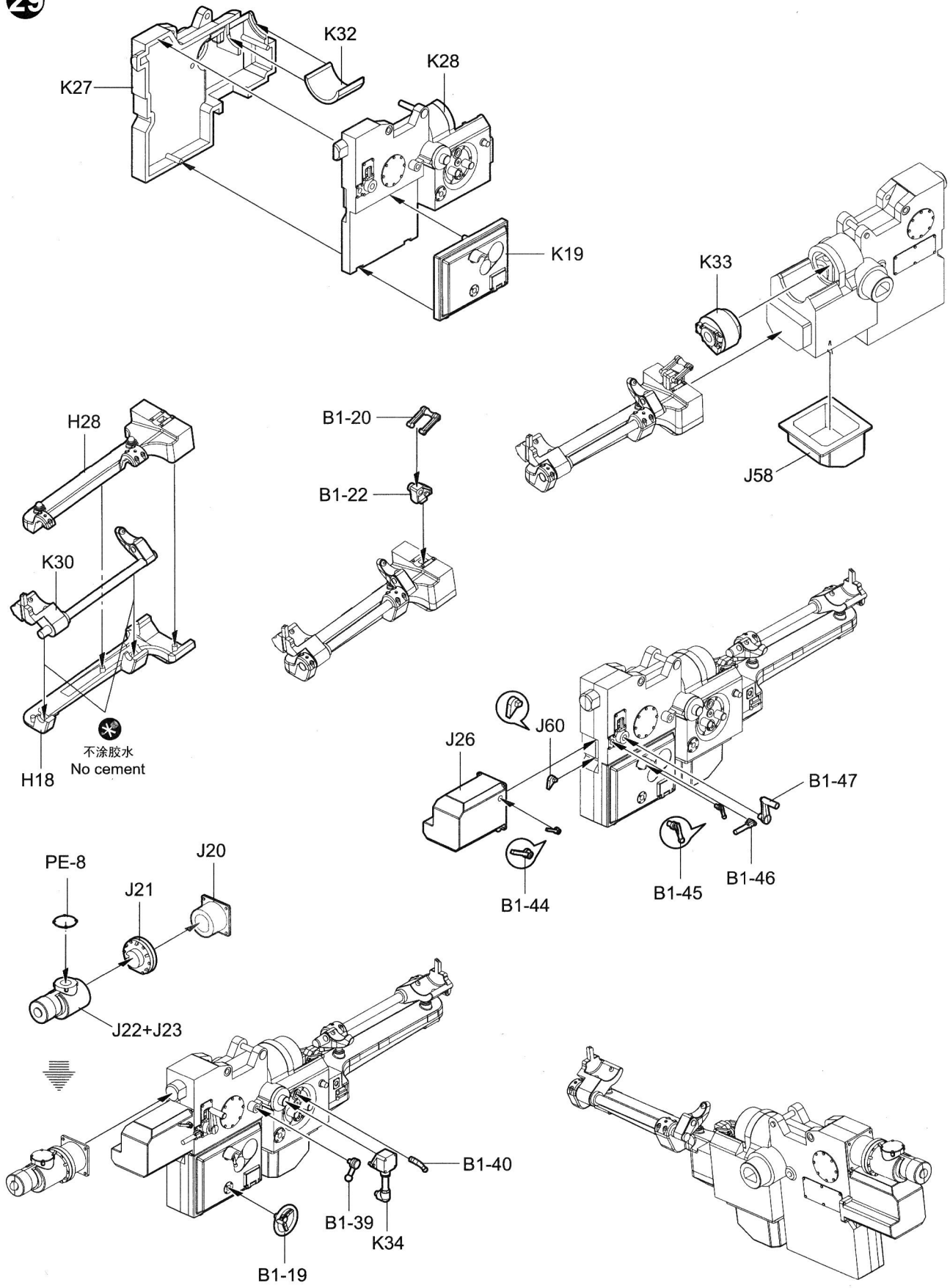
27



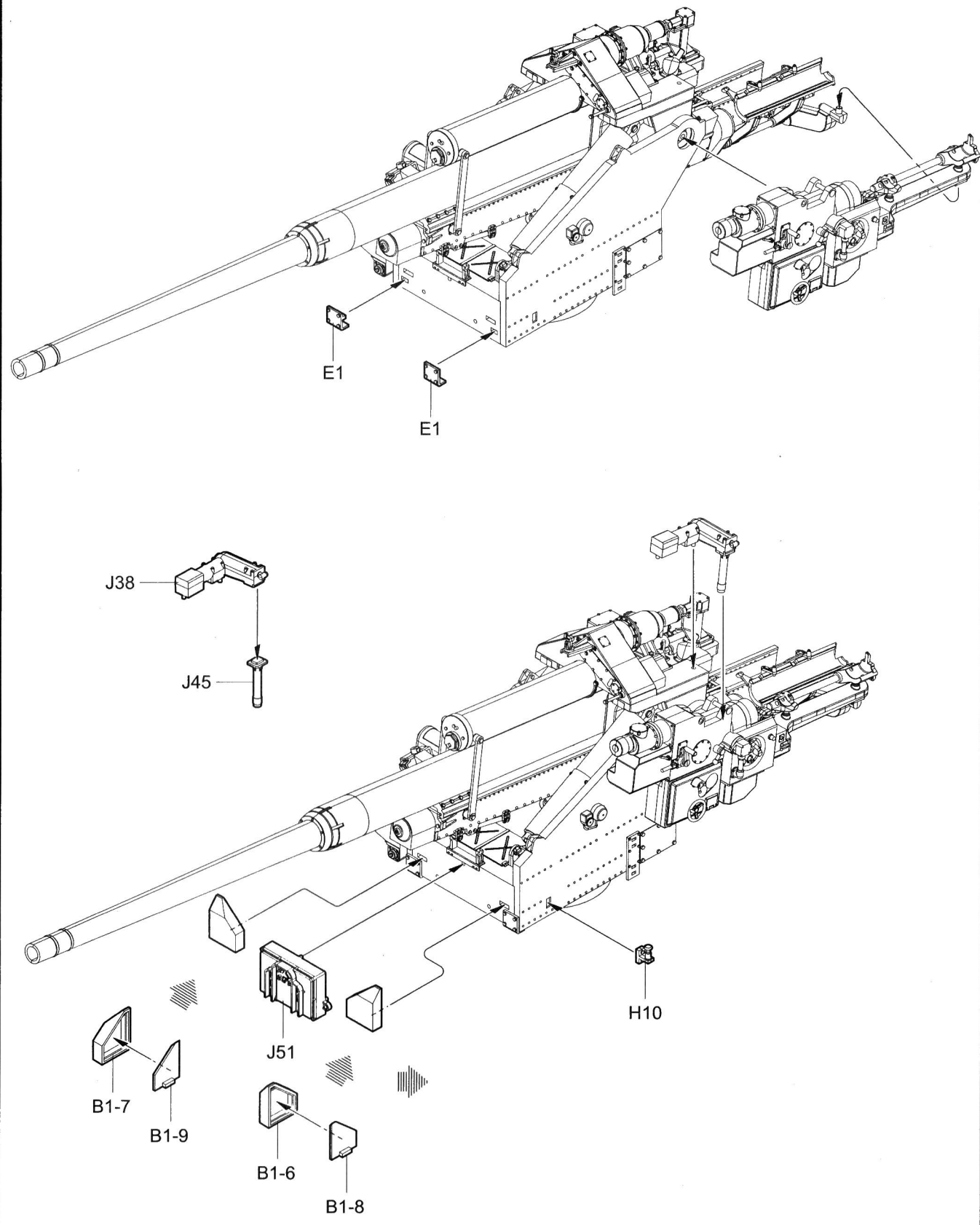
28



29



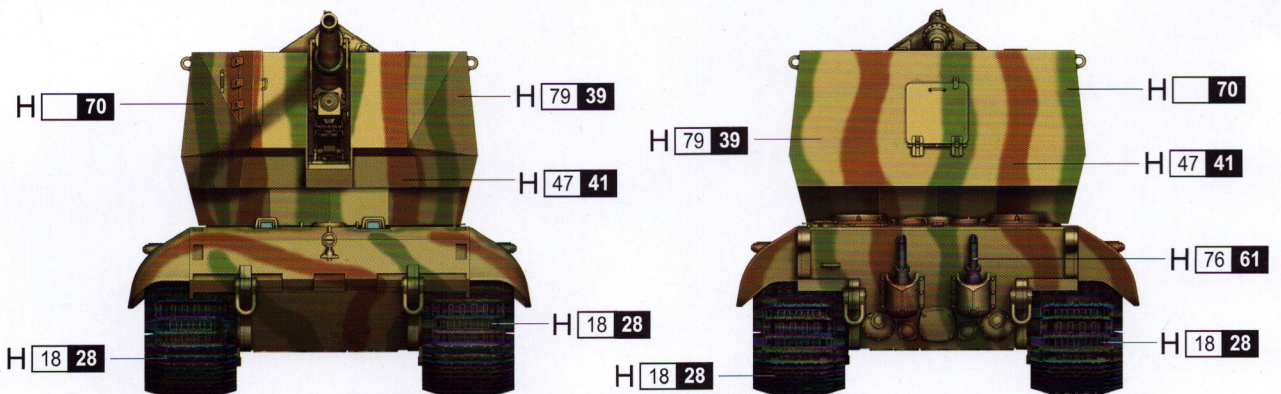
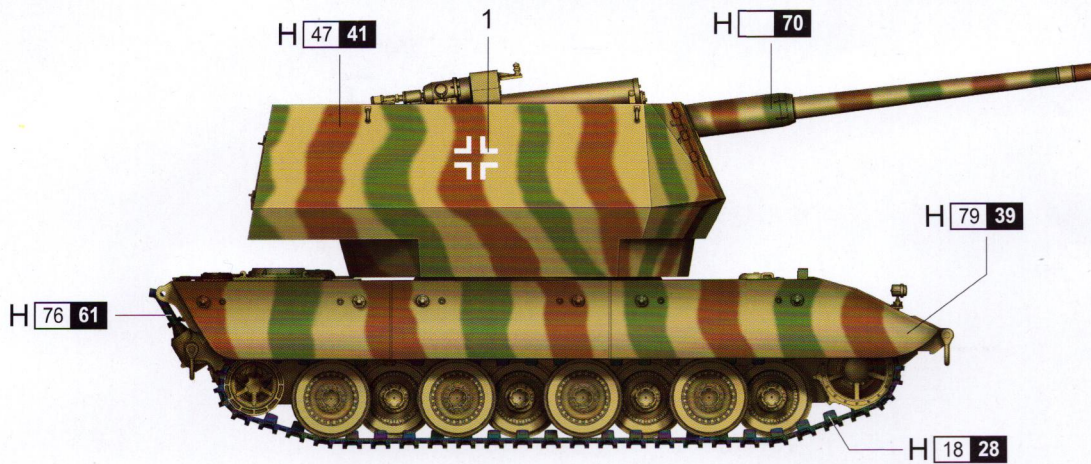
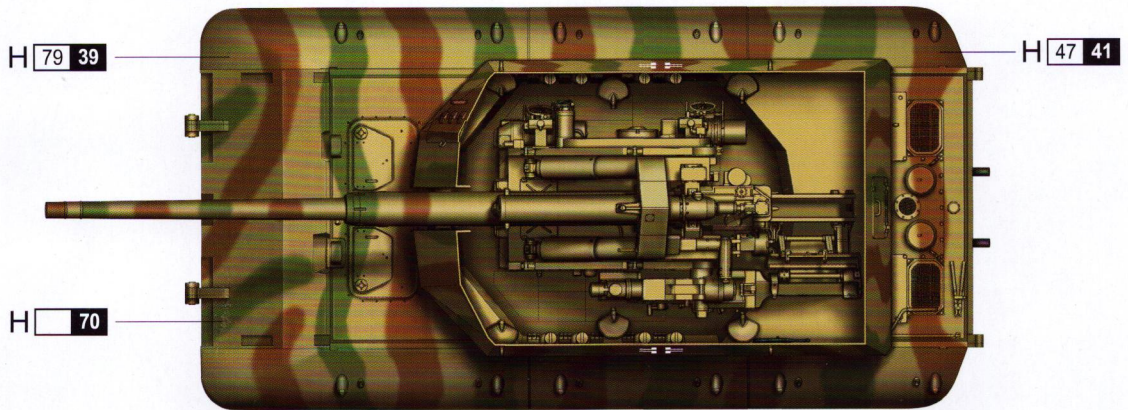
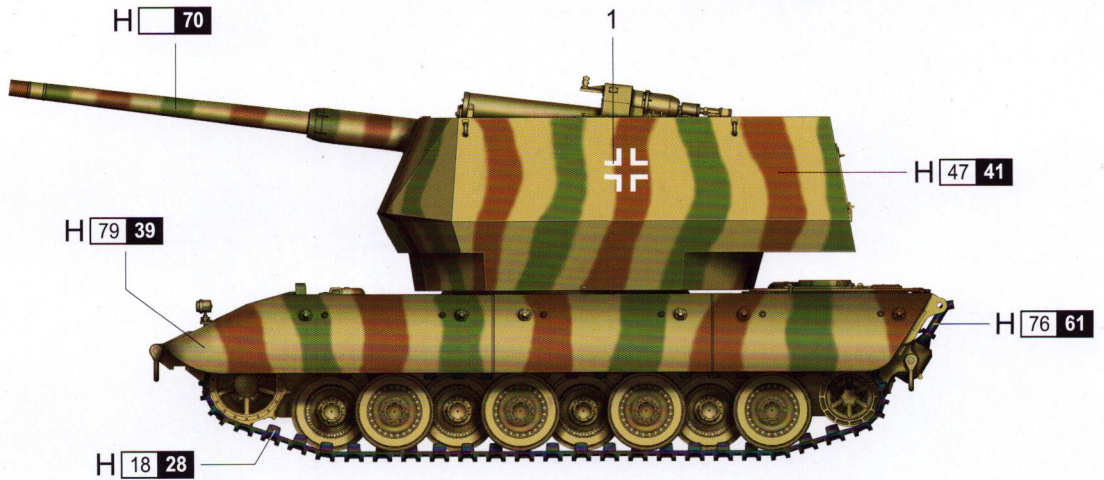
30



涂装同标贴指示 Painting & Marking guide

PAINT REFERENCE COLOR

Color	Mr.Hobby	Acrycion	Vallejo	Model Master	Tamiya	Humbrol	Color	Mr.Hobby	Acrycion	Vallejo	Model Master	Tamiya	Humbrol
Sandy Yellow 砂黄色	H 79 39	N 79	824	-	XF59	93	Red Brown 红棕色	H 47 41	N 47	984	-	XF64	160
Dark Green 战车绿	H 70	N	-	-	-	-	Burnt Iron 烧铁色	H 76 61	N 76	863	1795	X10	53
							Steel 黑铁色	H 18 28	N 18	864	1402	XF84	-



H AQUEOUS HOBBY COLOR X Mr. COLOR N ACRYSION COLOR