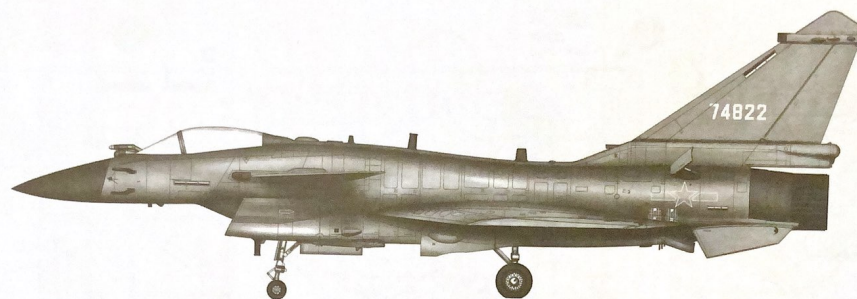


1/48 SCALE

ITEM NO.:05826



PLAAF J-10C Vigorous Dragon

中国歼十C“猛龙”战斗机

READ BEFORE ASSEMBLY:

- This kit is not recommended for inexperienced modelers or for children under 14 years of age
- Study and understand these instructions thoroughly before beginning assembly
- When needed, remove photo-etch parts carefully using a modeling knife or photo etch sprue cutter, being careful not to damage or lose small parts.
- Take extra care in handling photo etch parts in order to avoid injury
- Apply instant cement sparingly to photo etch parts where instructed
- Tools recommended(not included in kit):Plastic and instant cements,sprue cutters,long nose pliers,modeling knife, small files, tweezers, pin vise & scissors. Soft cloth and sandpaper will also assist in construction
- Glue and paint are not included in the kit. Use plastic cement and hobby paints only. Color guide for purchasing paint is included in the kit.
- Keep out of reach of children. They must not be allowed to ingest small parts or handle plastic bags in any way.

*说明书中含有重要信息，应保留。 Please Keep instruction since it contains important information.

装配之前仔细阅读

- 小心用模型锉刀锉平所有零件表面的注射浇口。
- 小心用刀片切下蚀刻片零件，不要遗失小零件。
- 用强力快干胶水粘合蚀刻片零件和金属轴。过量的快干胶水使用可能导致可动零件会粘住，小心涂胶。
- 取蚀刻片时应特别注意安全，防止利边划伤手指。
- 某些零件表面需贴水上贴纸，请选择在装配的同时进行。
- 推荐模型工具(自备)：胶水，水口剪刀，长咀钳，刀片，锉刀，镊子钳，钻，剪刀，瞬间快干胶。
- 软布同砂纸同时也是所需工具。
- 请使用塑料胶水和油漆，模型内不含。
- 谨防小孩吸吮塑料零件，或者将塑料袋套在头上，制作时应将套材远离小孩接触。
- 本产品不适合14岁以下没有经验的模型爱好者。

水贴纸的使用:

1. 从水贴纸上剪下印花;
2. 将印花放入温水中浸10秒，然后放在干净布上。
3. 拿着印花纸板将印花移到模型上;
4. 手指蘸水将印花移到适当的位置;
5. 用软布轻压印花直至水干，汽泡消失。

DECAL APPLICATION:

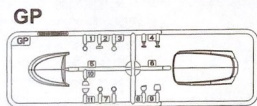
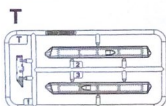
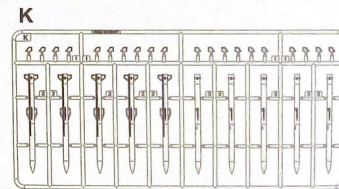
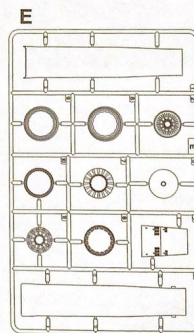
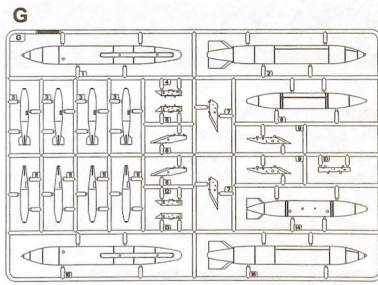
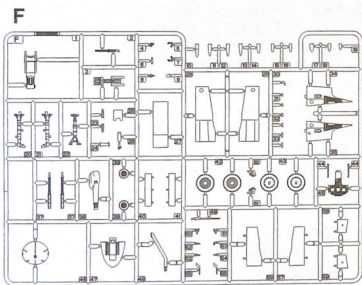
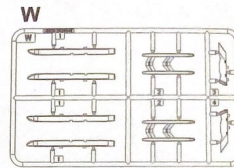
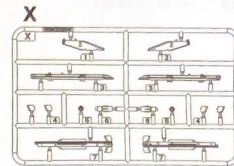
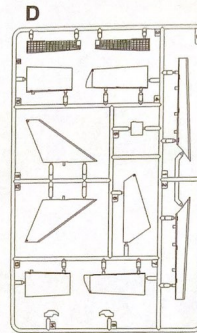
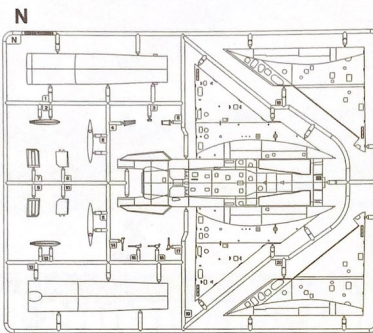
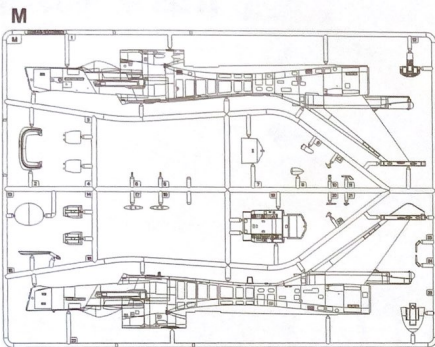
1. Cut decals from sheet as needed
2. Dip the decal in warm water for about 10 seconds and then place on soft clean cloth.
3. Hold the decal backing sheet edge and gently slide the decal onto the model in its proper position.
4. While still wet, decal can be adjusted for better fit on model by dampening it gently with your finger.
5. When placed in the proper position, gently press decal down with a soft cloth until excess water and air bubbles are gone.
6. Allow decal to dry completely before handling model



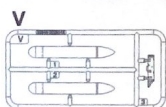
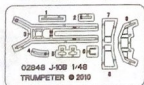
05826

1

部品图 Parts

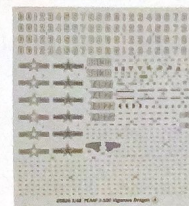


《蚀刻片》
Photo Etched



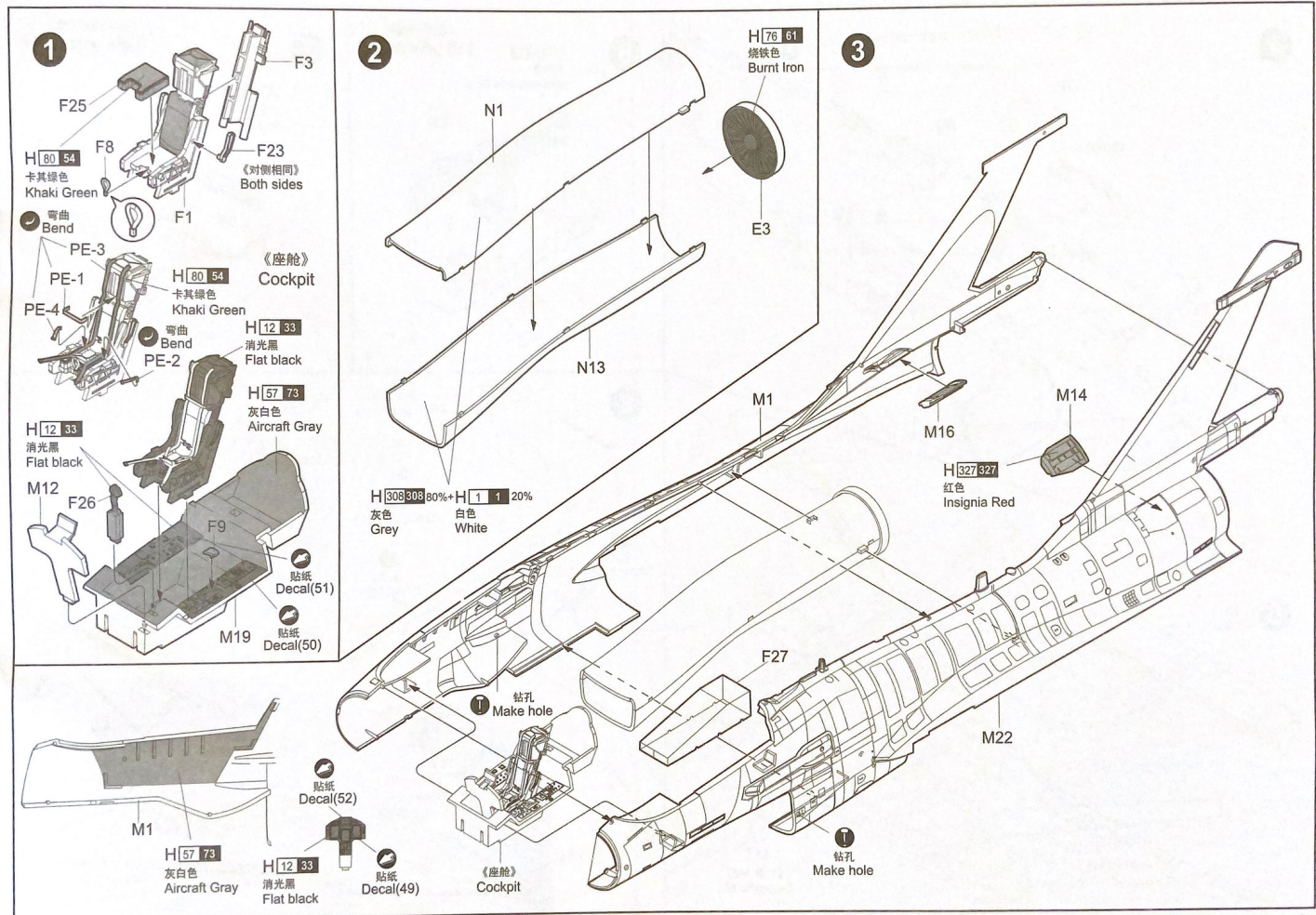
不用的部件: F10、F11、F12、F15、F16、F30、F31、
Unused parts F32、F33、F34、F35、F60、F61、F45、
F46、F47、F48、F49、G3、G4、G5、G6、
G7、G9、G11、G12、G13、E1、E4、E5、
M5、M6、M17、M18、PE-6、N4

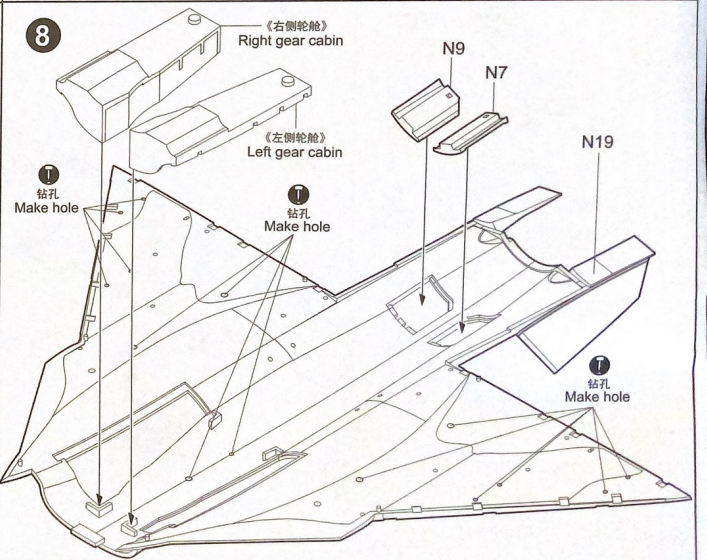
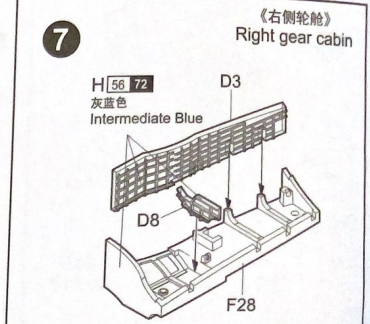
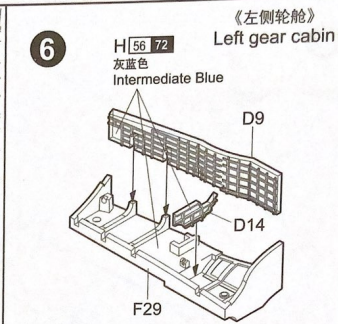
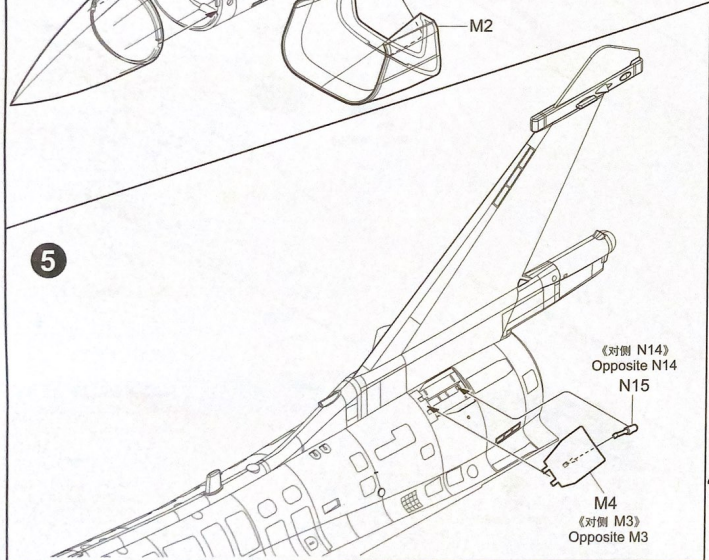
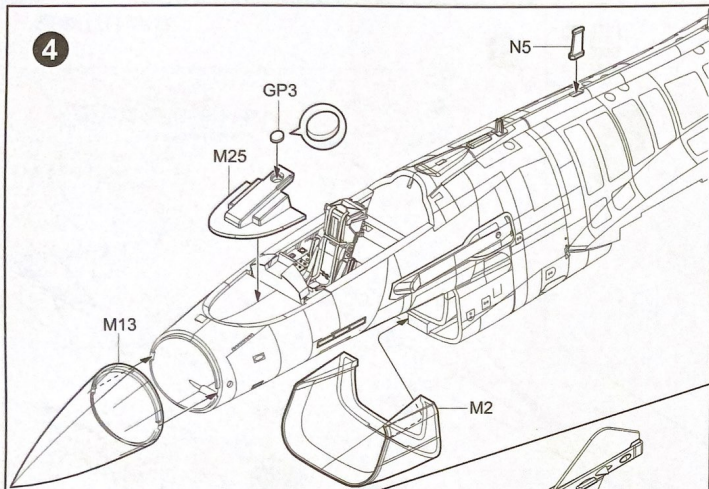
《水贴 A》
Decal A



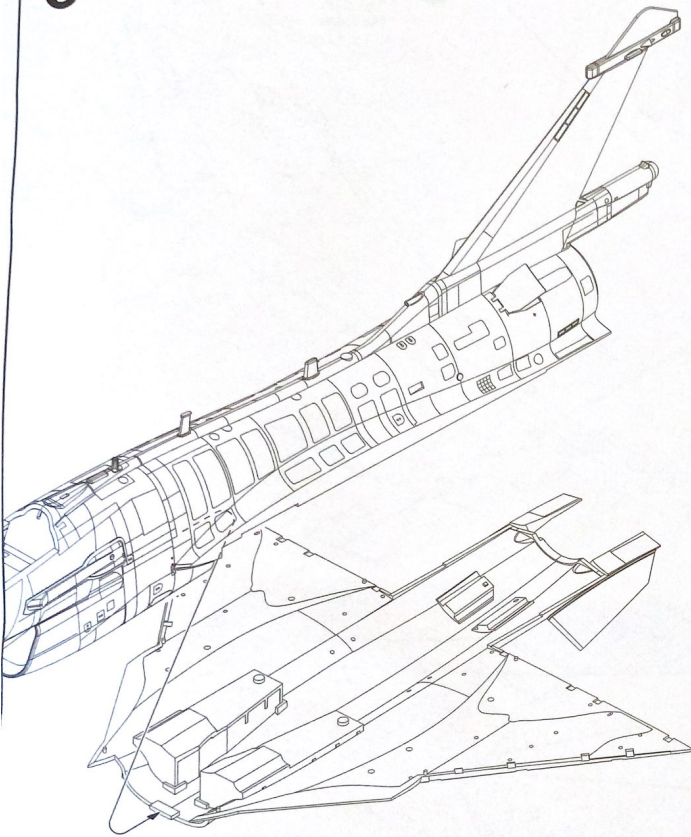
《水贴 B》
Decal B



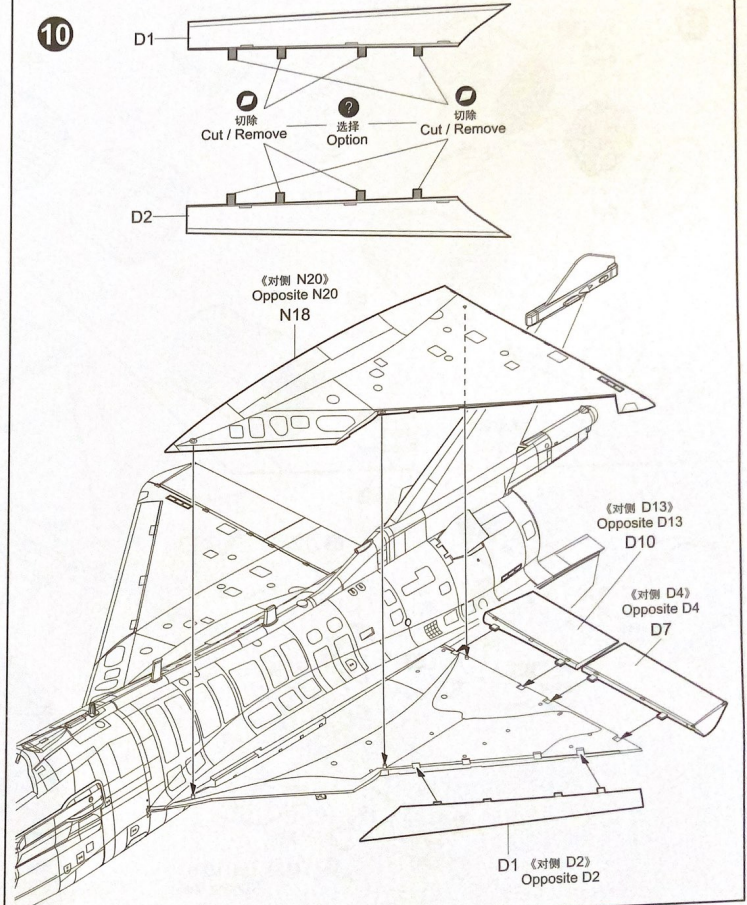




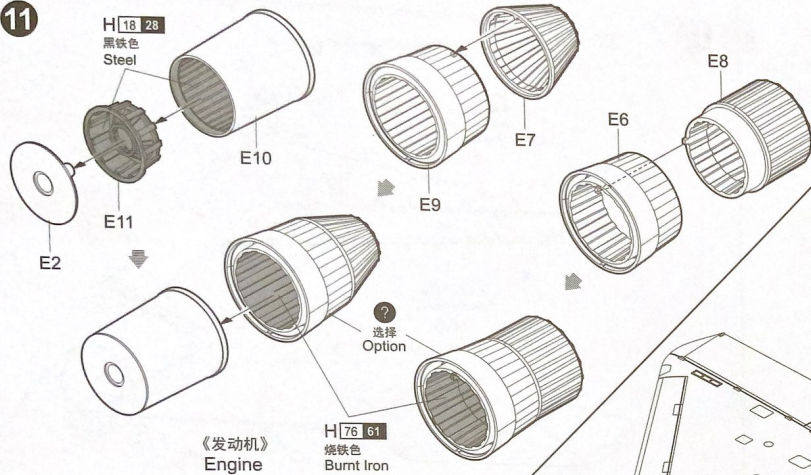
9



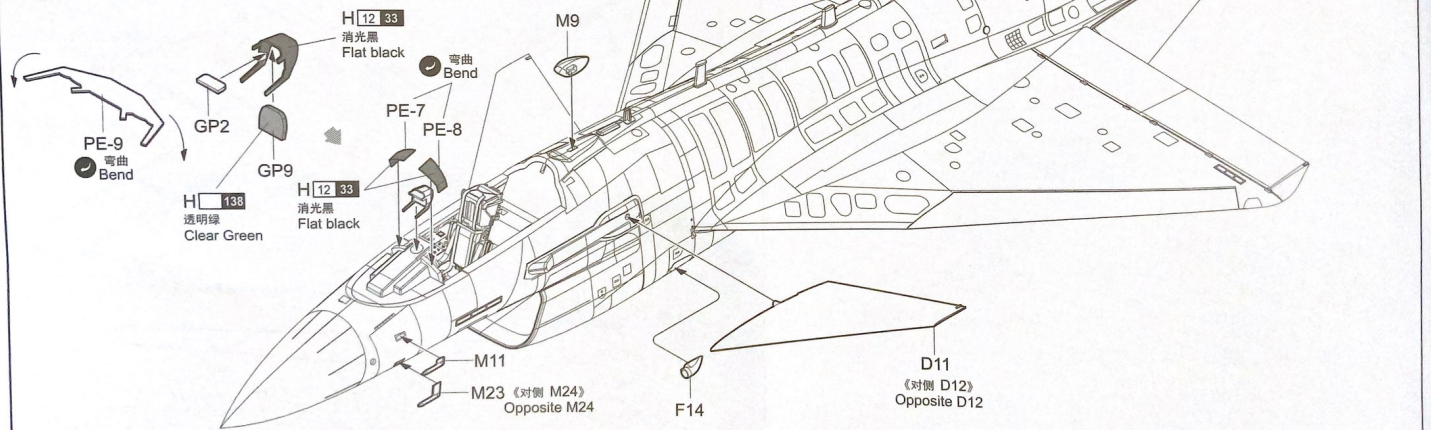
10

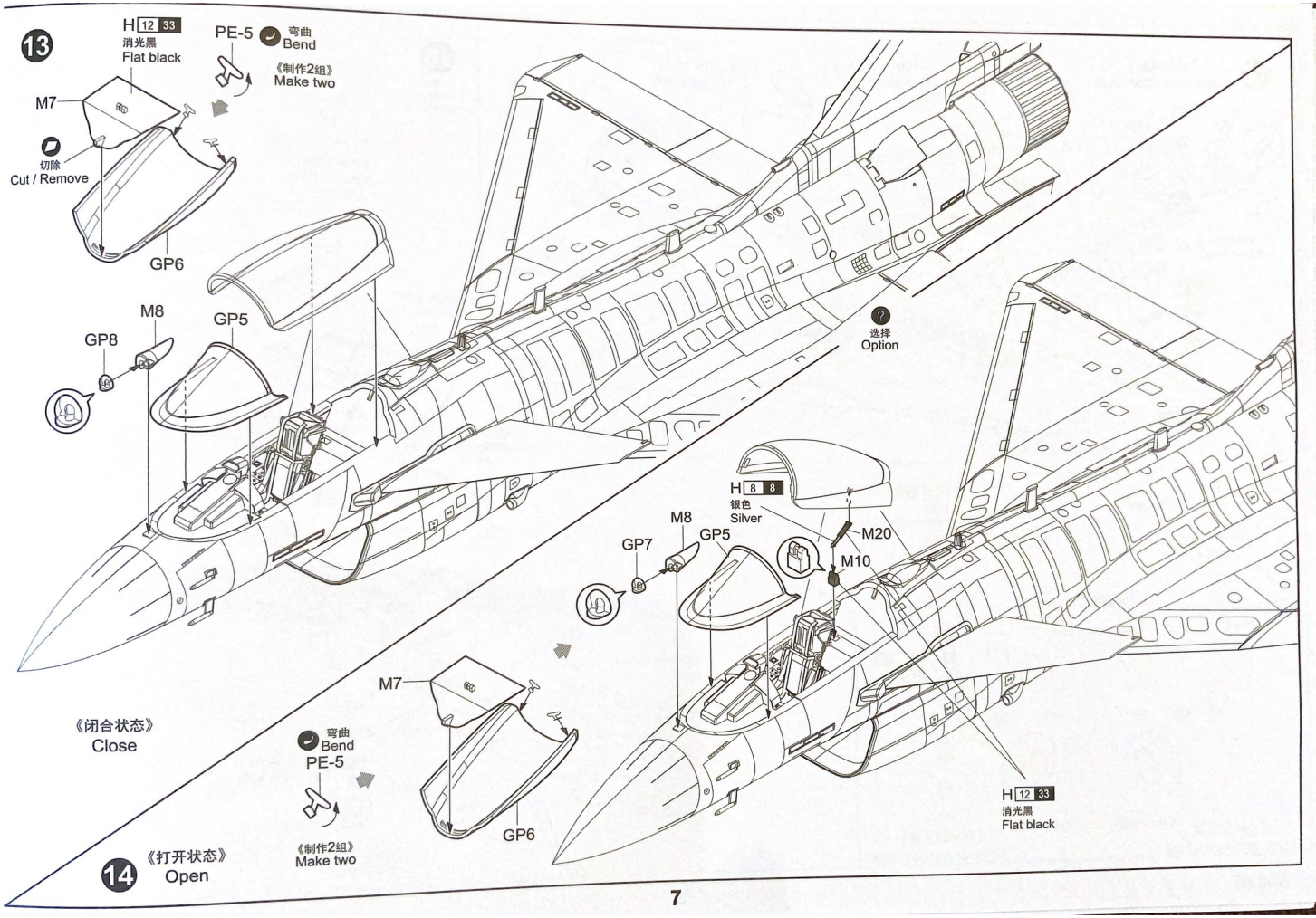


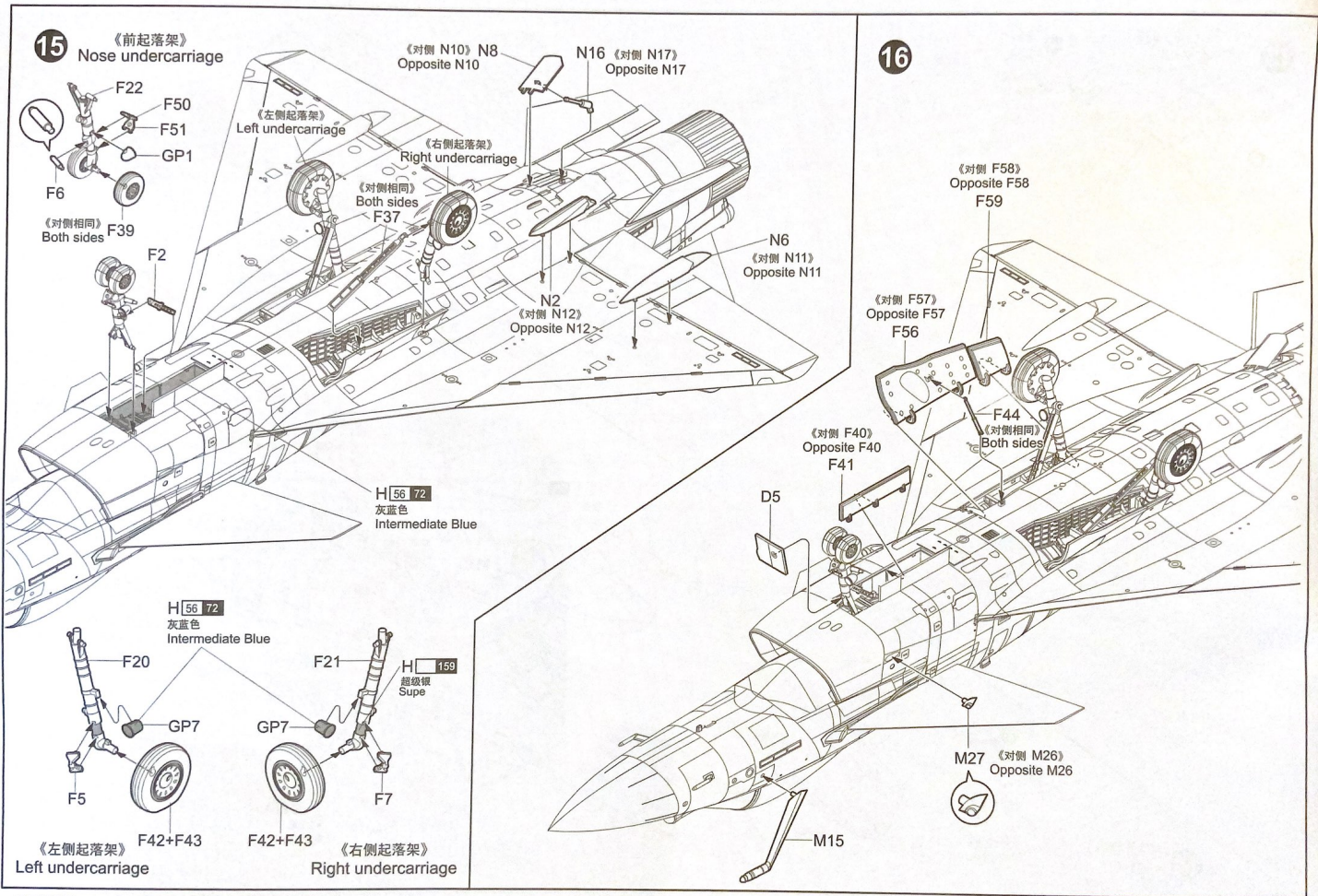
11



12







15

《前起落架》
Nose undercarriage

16

《对侧 F58》
Opposite F58
F59

《对侧 F57》
Opposite F57
F56

《对侧 F40》
Opposite F40
F41

M27 《对侧 M26》
Opposite M26

《对侧 N10》 N8
Opposite N10

N16 《对侧 N17》
Opposite N17

N6
《对侧 N11》
Opposite N11

N2
《对侧 N12》
Opposite N12

《对侧相同》
Both sides
F37

H 56 72
灰蓝色
Intermediate Blue

H 159
超银
Super

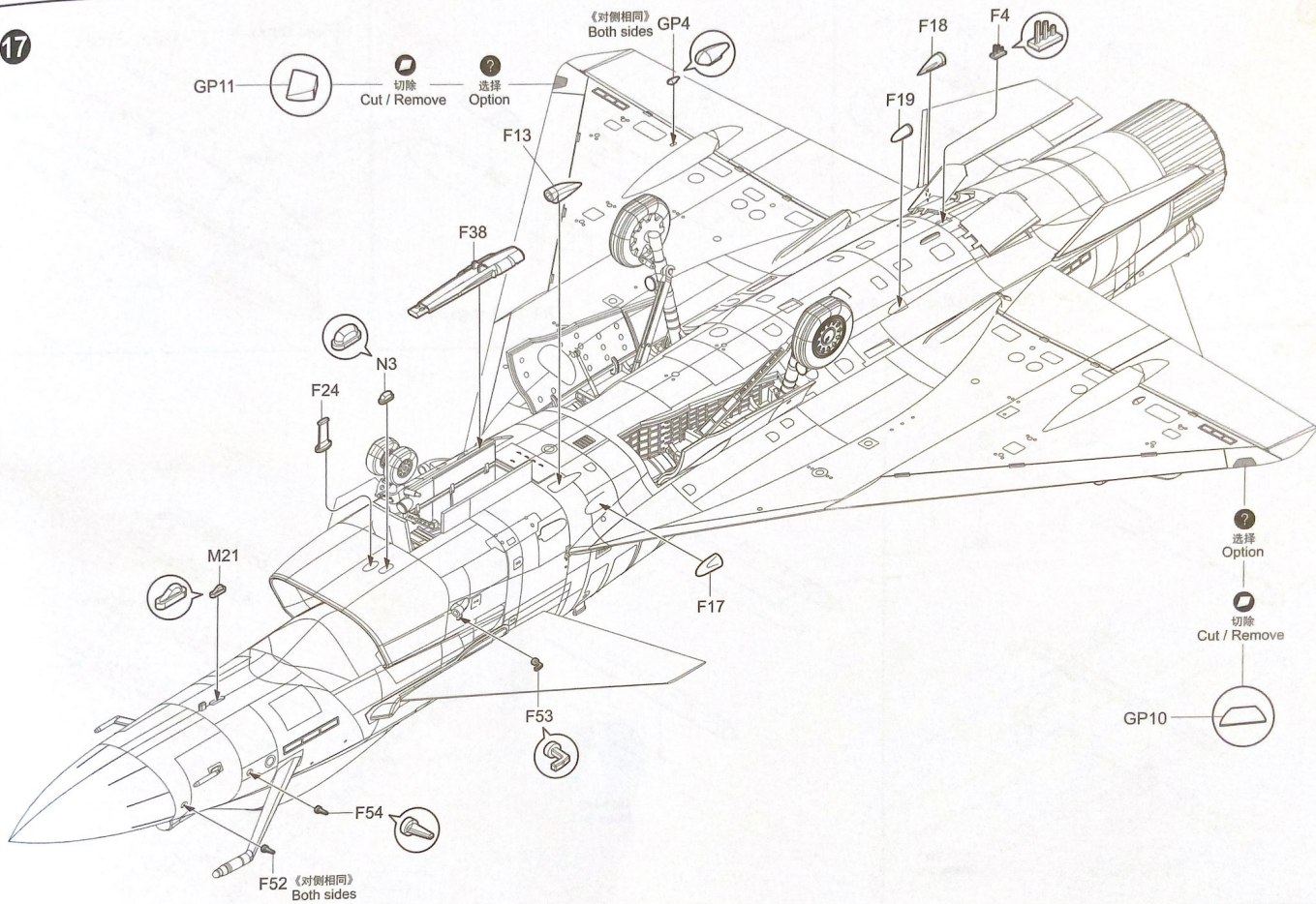
《左侧起落架》
Left undercarriage
F42+F43

《右侧起落架》
Right undercarriage
F42+F43

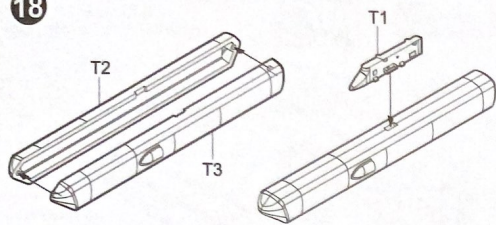
05826

8

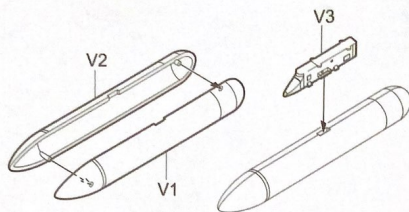
17



18

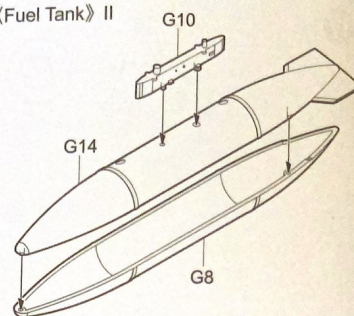


K/RKL700A 通用机载电子干扰吊机

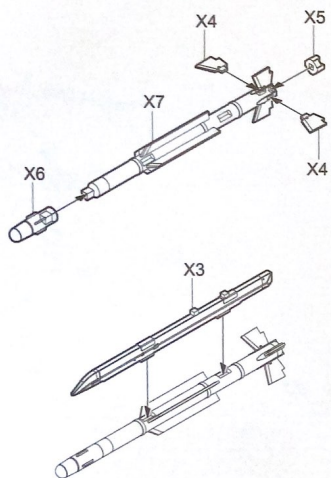


K/PTZIA 捕控指令吊舱

《Fuel Tank》II

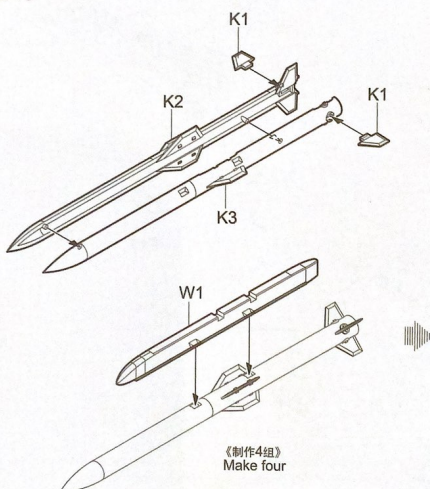


PL-10

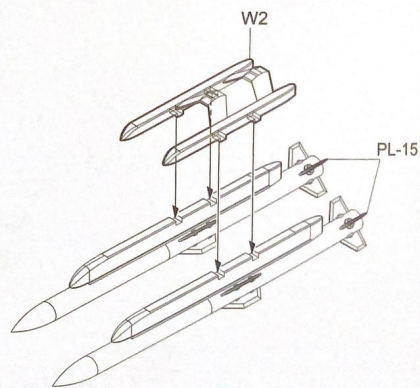


《制作2组》
Make two

PL-15



《制作4组》
Make four

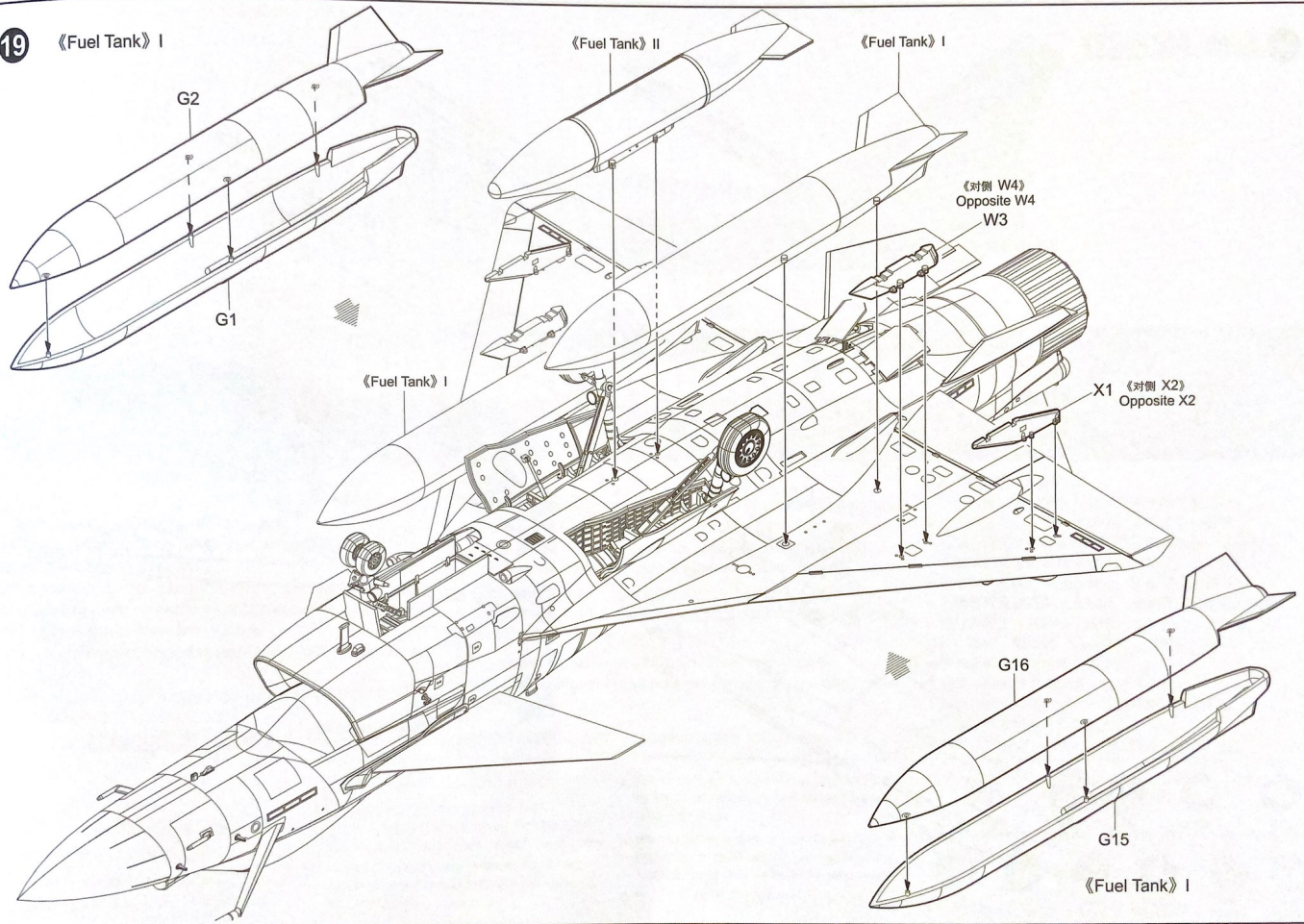


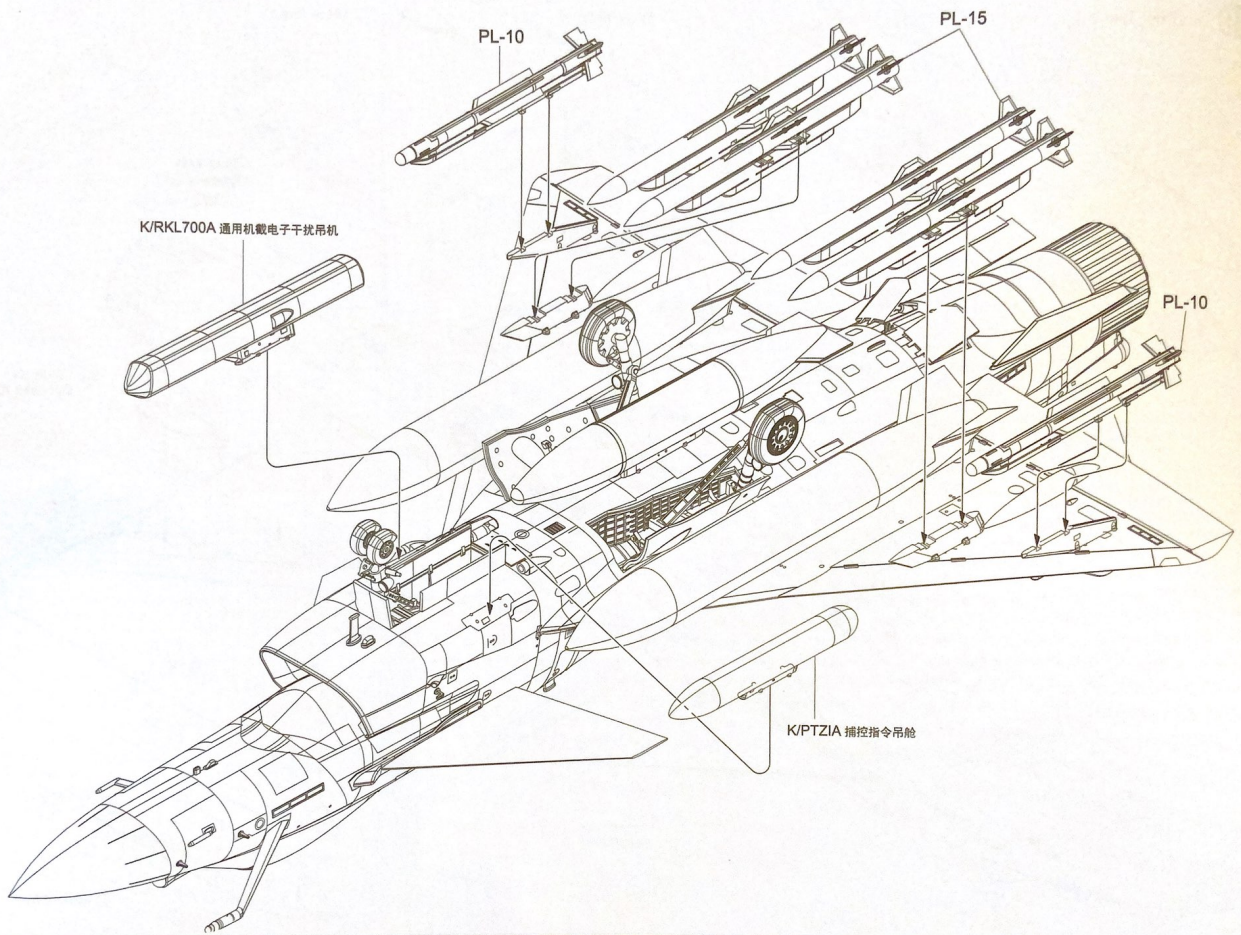
《制作2组》
Make two

05826

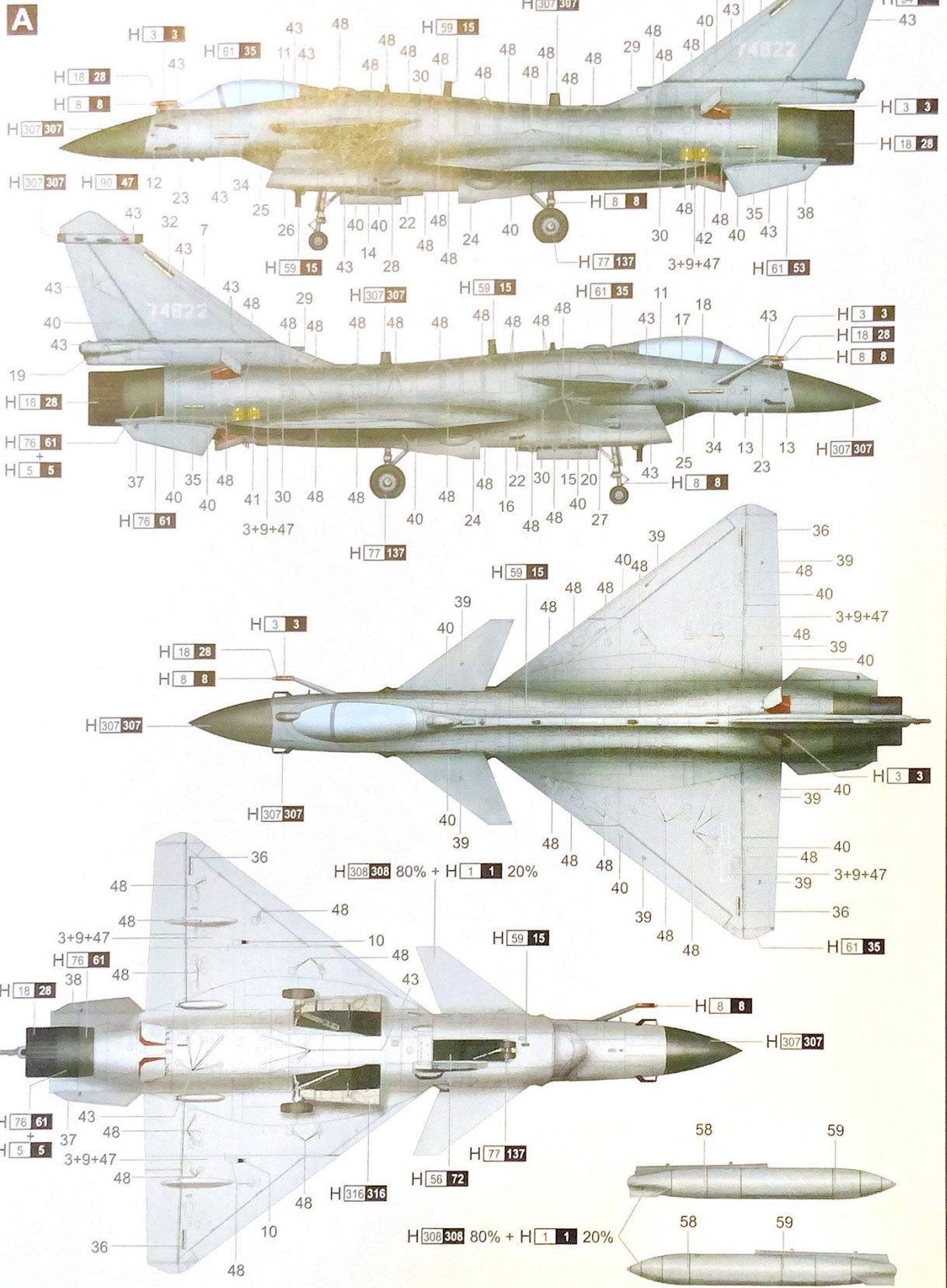
10

19 《Fuel Tank》 I





涂装同标贴指示 Painting & Marking guide



H AQUEOUS HOBBY COLOR Mr. COLOR
 N ACRYCION COLOR

涂装同标贴指示 Painting & Marking guide

PAINT REFERENCE COLOR

Color	Mr Hobby	Acrycion	Vallejo	Model Master	Tamiya	Humbrol	Color	Mr Hobby	Acrycion	Vallejo	Model Master	Tamiya	Humbrol
White 白色	H[1 1]	N[1]	842	1745	X2	22	Jet Gray 银灰色	H[61 35]	N[61]	907	1731	-	146
Red 红色	H[3 3]	N[3]	908	1703	X7	19	Burnt Iron 暗褐色	H[76 61]	N[76]	863	1795	X10	53
Blue 蓝色	H[5 5]	N[5]	899	1772	X3	15	Tire Black 轮胎黑色	H[77 137]	N[77]	-	-	XF85	-
Silver 银色	H[8 8]	N[8]	997	1546	X11	11	Clear Red 透明红	H[59 47]	N[59]	934	-	X27	-
Steel 黑铁色	H[18 28]	N[18]	864	1402	XF84	-	Clear Green 透明绿	H[94]	N[94]	-	-	-	-
Jet Green 银绿色	H[99 15]	N[99]	892	-	XF11	75	Dark Copper 暗铜色	H[307 307]	N[307]	-	1741	XF22	128
Hammering Blue 锤击蓝色	H[56 72]	N[56]	903	1720	-	144	Gray 灰色	H[308 308]	N[308]	990	1728	XF19	127
							White Insignia 白色	H[616 316]	N[616]	991	1745	X2	22

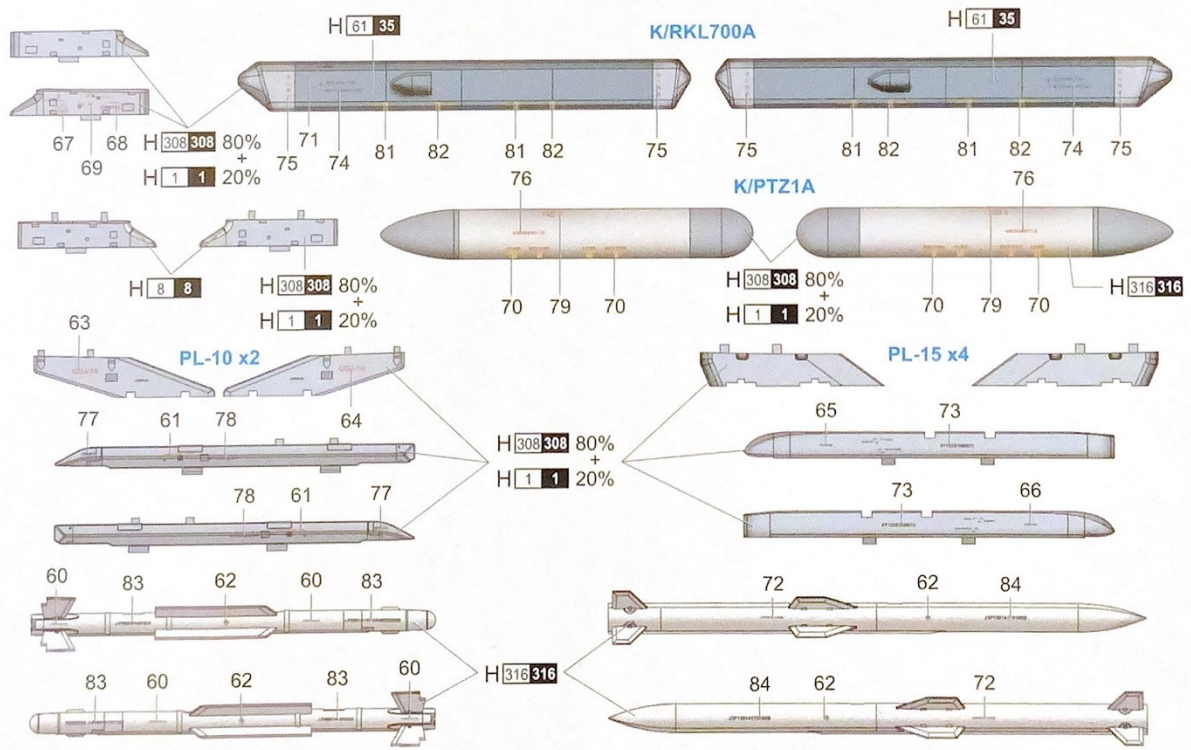
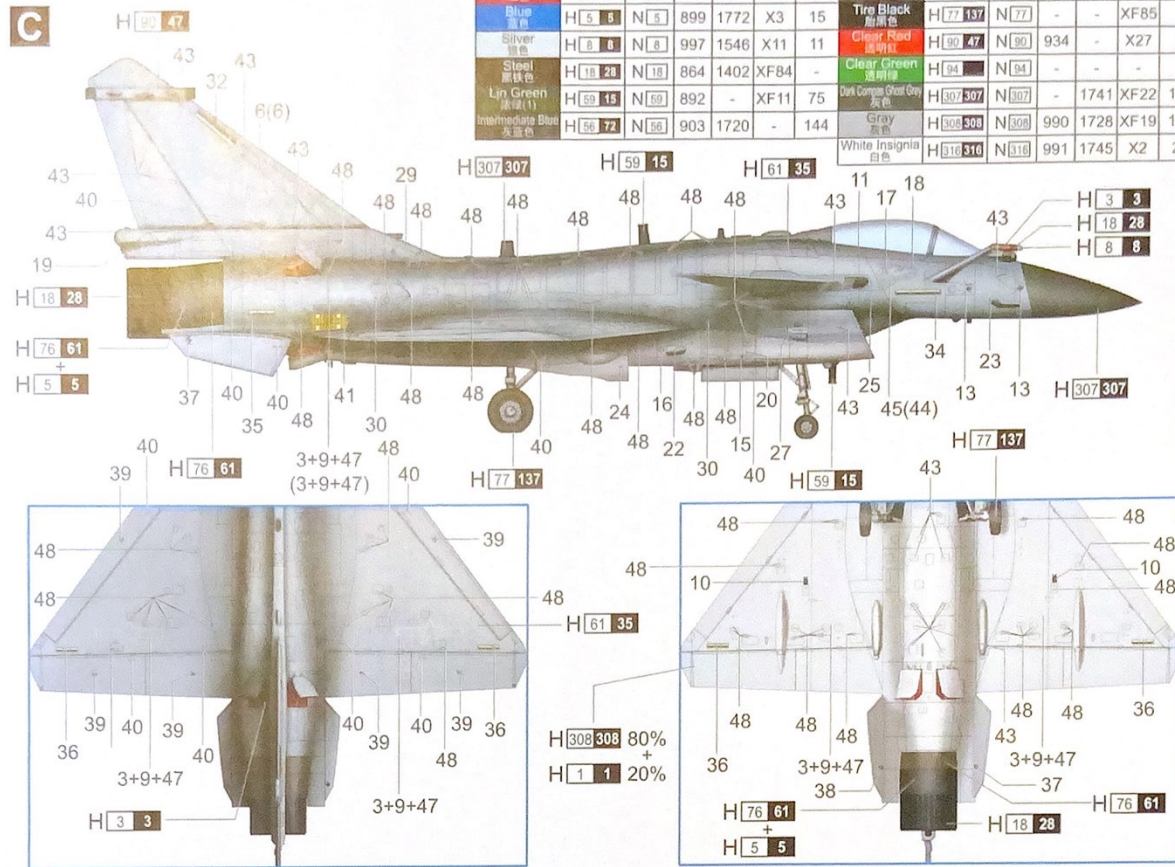


H [] [] AQUEOUS HOBBY COLOR X Mr. COLOR
N [] [] ACRYCION COLOR

涂装同标贴指示 Painting & Marking guide

PAINT REFERENCE COLOR

Color	Mr Hobby	Acrycion	Vallejo	Model Master	Tamiya	Humbrol	Color	Mr Hobby	Acrycion	Vallejo	Model Master	Tamiya	Humbrol
White 白色	H[1 1]	N[1]	842	1745	X2	22	Jet Gray 喷气灰 (1)	H[61 35]	N[61]	907	1731	-	146
Red 红色	H[3 3]	N[3]	908	1703	X7	19	Burnt Iron 烧铁色	H[76 61]	N[76]	863	1795	X10	53
Blue 蓝色	H[5 8]	N[5]	899	1772	X3	15	Tire Black 轮胎色	H[77 137]	N[77]	-	-	XF85	-
Silver 银色	H[8 8]	N[8]	997	1546	X11	11	Clear Red 透明红	H[90 47]	N[90]	934	-	X27	-
Steel 黑铁色	H[18 28]	N[18]	864	1402	XF84	-	Clear Green 透明绿	H[94 -]	N[94 -]	-	-	-	-
Lin Green 森林绿 (1)	H[59 15]	N[59]	892	-	XF11	75	Dull Copper 暗铜色	H[307 307]	N[307]	-	1741	XF22	128
Intermediate Blue 天蓝色	H[56 72]	N[56]	903	1720	-	144	Gray 灰色	H[308 308]	N[308]	990	1728	XF19	127
							White Insignia 白色	H[316 316]	N[316]	991	1745	X2	22



H [] AQUEOUS HOBBY COLOR X [] Mr. COLOR
N [] ACRYCION COLOR

0 0 1 2 3 4 5 6 7 8 9 0 0 1 2 3 4 5 6 7 8 9
 0 0 1 2 3 4 5 6 7 8 9 0 0 1 2 3 4 5 6 7 8 9
 0 0 1 2 3 4 5 6 7 8 9 0 0 1 2 3 4 5 6 7 8 9
 0 0 1 2 3 4 5 6 7 8 9 0 0 1 2 3 4 5 6 7 8 9



3



4

68130

68130

74821

74821

74822

74822



3



4



48

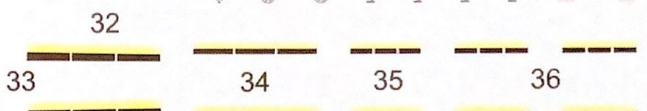


44



45

48



05826 1/48 PIAAF J-10C Vigorous Dragon (A)

