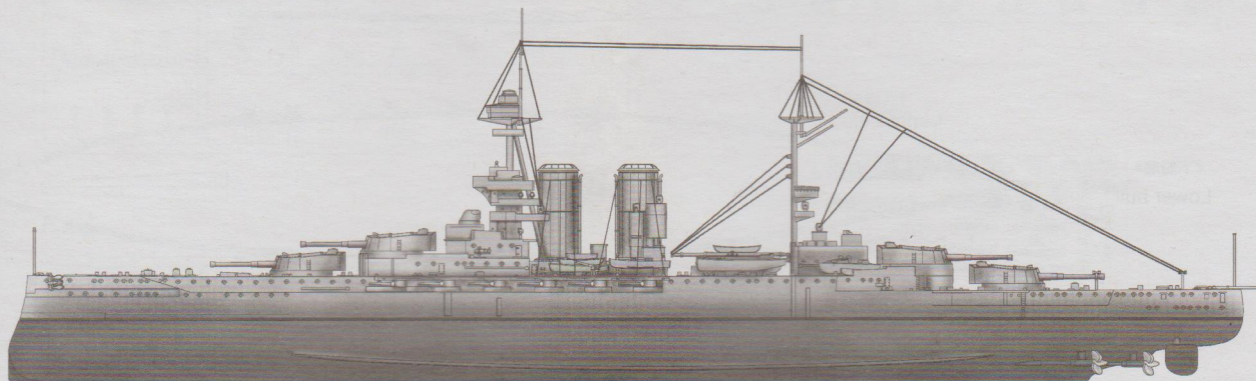


# HMS Queen Elizabeth 1918

英国“伊利莎白女王”号战列舰1918年



## READ BEFORE ASSEMBLY:

- Study and understand these instructions thoroughly before beginning assembly
- When needed, remove photo-etch parts carefully using a modeling knife or photo etch sprue cutter, being careful not to damage or lose small parts.
- Take extra care in handling photo etch parts in order to avoid injury
- Apply instant cement sparingly to photo etch parts where instructed
- Tools recommended(not included in kit):Plastic and instant cements,sprue cutters,long nose pliers,,modeling knife, small files, tweezers, pin vise & scissors. Soft cloth and sandpaper will also assist in construction
- Glue and paint are not included in the kit. Use plastic cement and hobby paints only. Color guide for purchasing paint is included in the kit.

## 装配之前仔细阅读

- 小心用模型锉刀锉平所有零件表面的注射浇口。
- 小心用刀片切下蚀刻片零件，不要遗失小零件。
- 用强力快干胶水粘合蚀刻片零件和金属轴。过量的快干胶水使用可能导致可动零件会粘住，小心涂胶。
- 取蚀刻片时应特别注意安全，防止利边划伤手指。
- 某些零件表面需贴水上贴纸，请选择在装配的同时进行。
- 推荐模型工具（自备）：胶水，水口剪刀，长咀钳，刀片，锉刀，镊子，钳，钻，剪刀，瞬间快干胶。
- 软布同砂纸同时也应该是必备工具。
- 请使用塑料胶水和油漆，模型内不含。



贴纸  
Decal



锉平  
File / Sand



选择  
Option



不涂胶水  
No cement



弯曲  
Bend



使用强力胶  
Cyanoacrylate glue



配重  
Weight



钻孔  
Make hole



切除  
Cut / Remove

## 水贴纸的使用:

1. 从水贴上剪下印花;
2. 将印花放入温水中浸10秒, 然后放在干净布上。
3. 拿着印花纸板将印花移到模型上;
4. 手指蘸水将印花移到适当的位置;
5. 用软布轻压印花直至水干, 气泡消失;

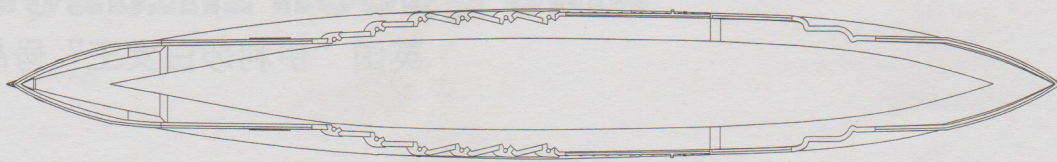
## DECAL APPLICATION

1. Cut off decal from sheet.
2. Dip the decal in tepid water 40°C for about 10 sec. and place on a clean cloth.
3. Hold the backing sheet edge and slide decal onto the model.
4. Move decal into position by wetting decal with finger.
5. Press decal gently down with a soft cloth until excess water and air bubbles are gone.
6. Allow decal to dry completely before handling model.

# 部品图 Parts

1:700 SCALE

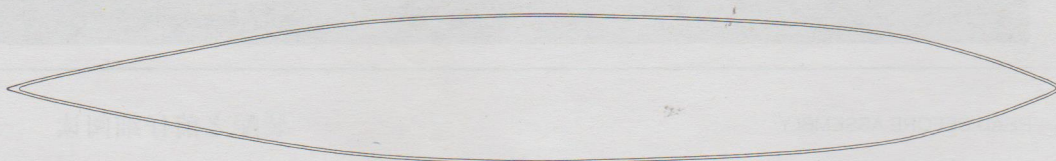
《上船体》  
Upper hull



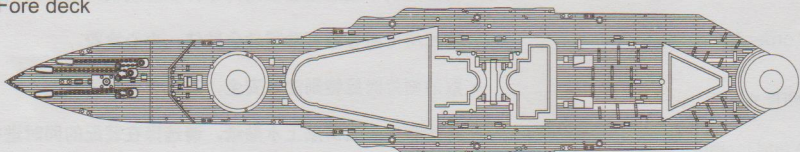
《下船底》  
Lower hull



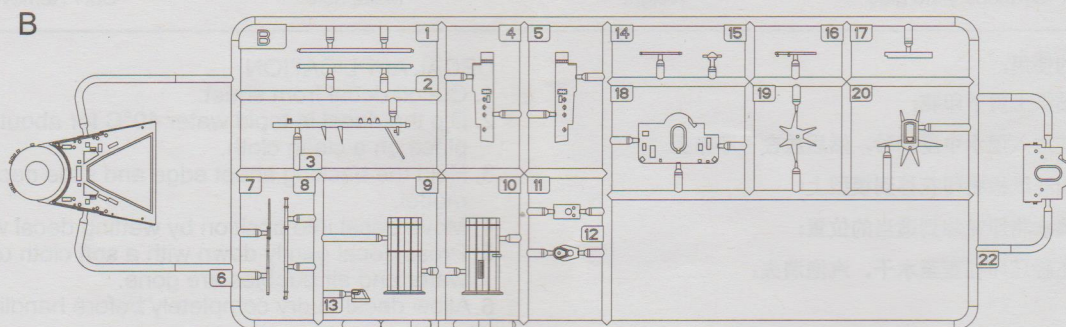
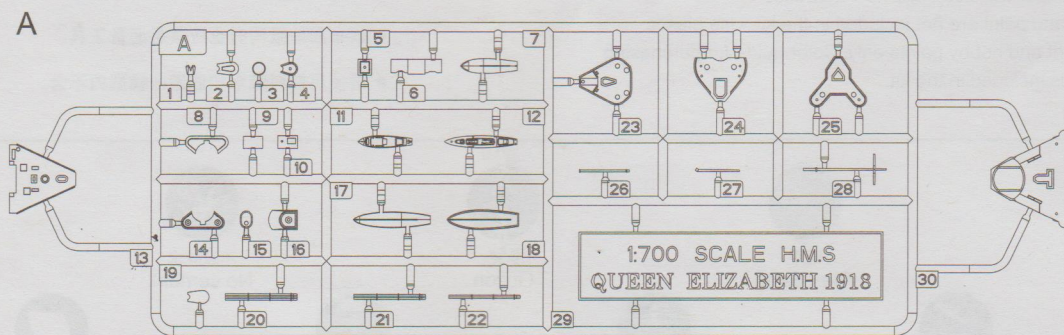
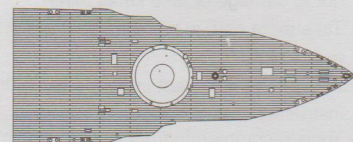
《水线板》  
WL plate



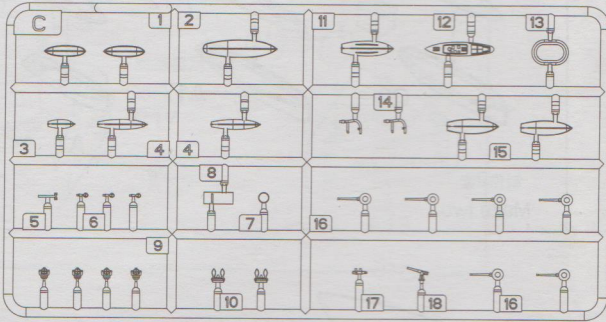
《前甲板》  
Fore deck



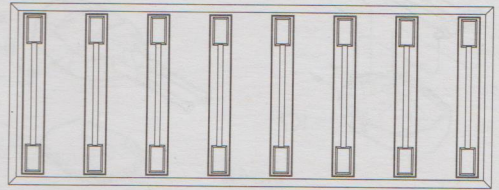
《后甲板》  
Rear deck



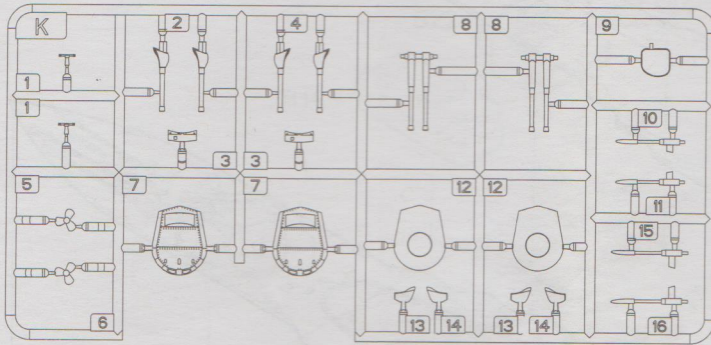
Cx2



《座架》 Stand



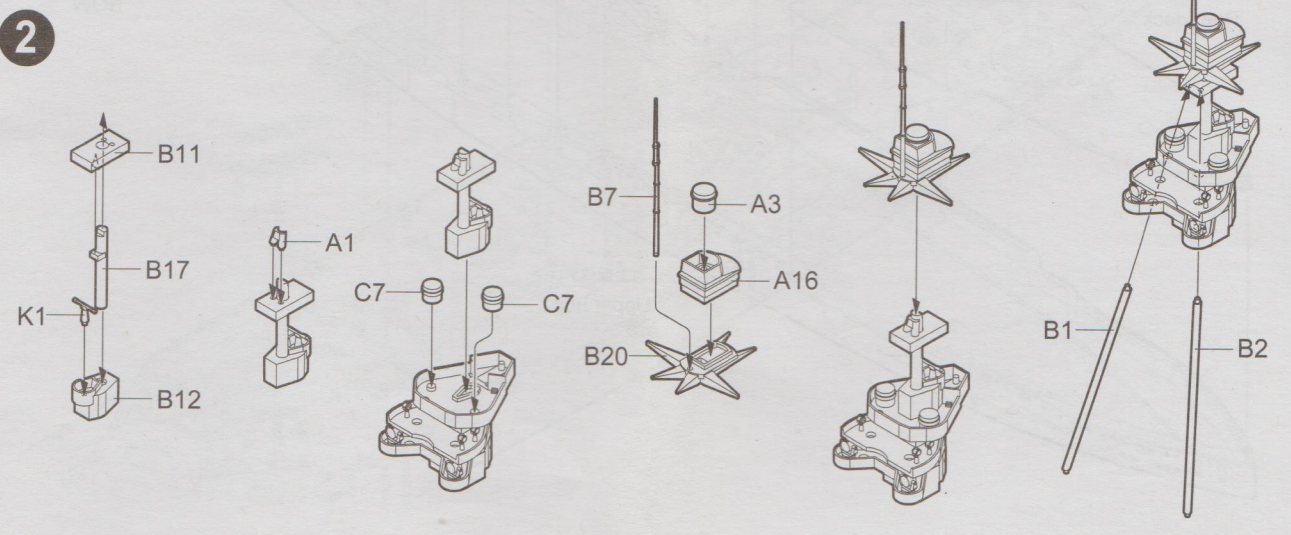
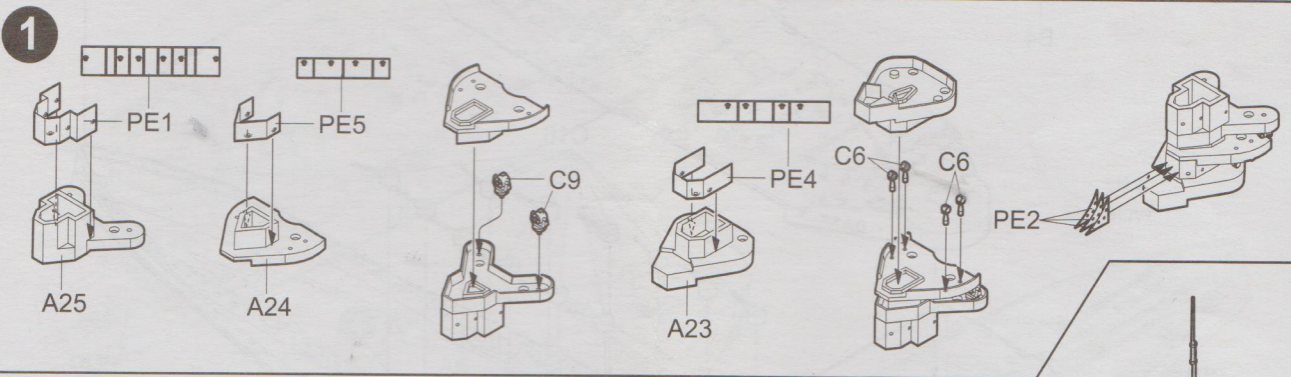
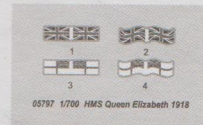
Kx2



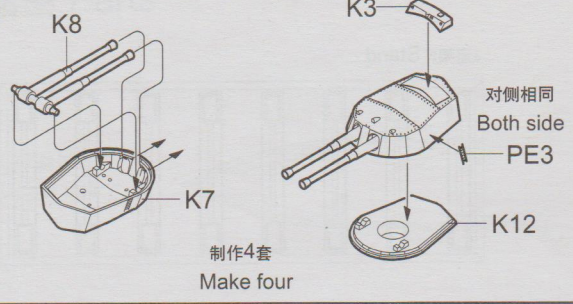
《蚀刻片》  
Photo Etched



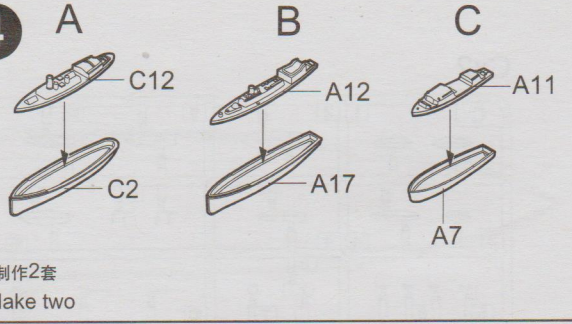
《水贴》  
Decal



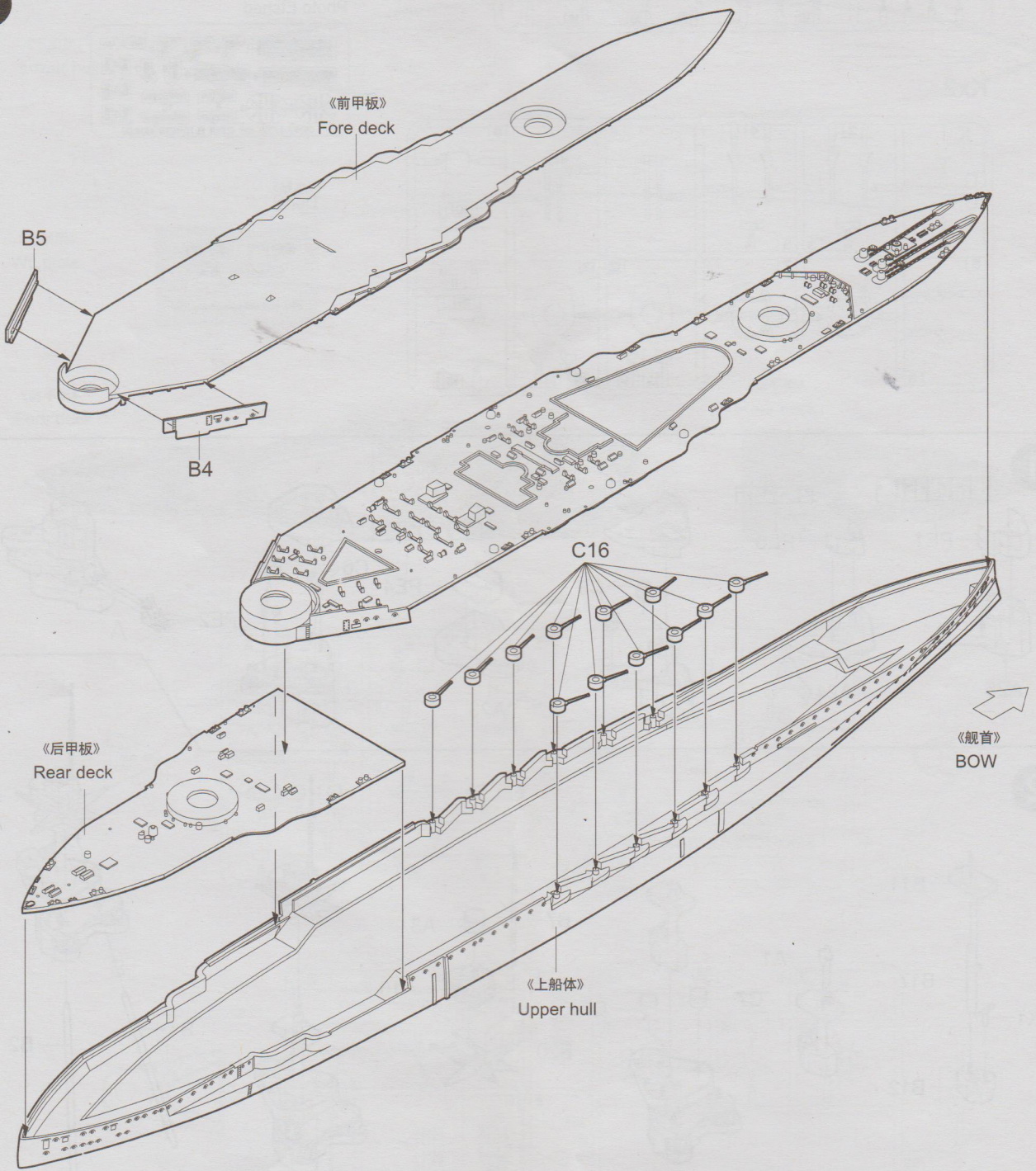
3



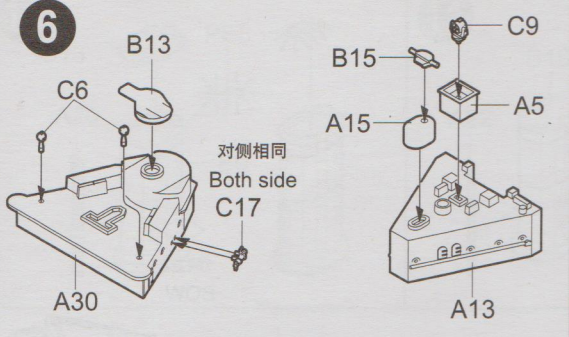
4



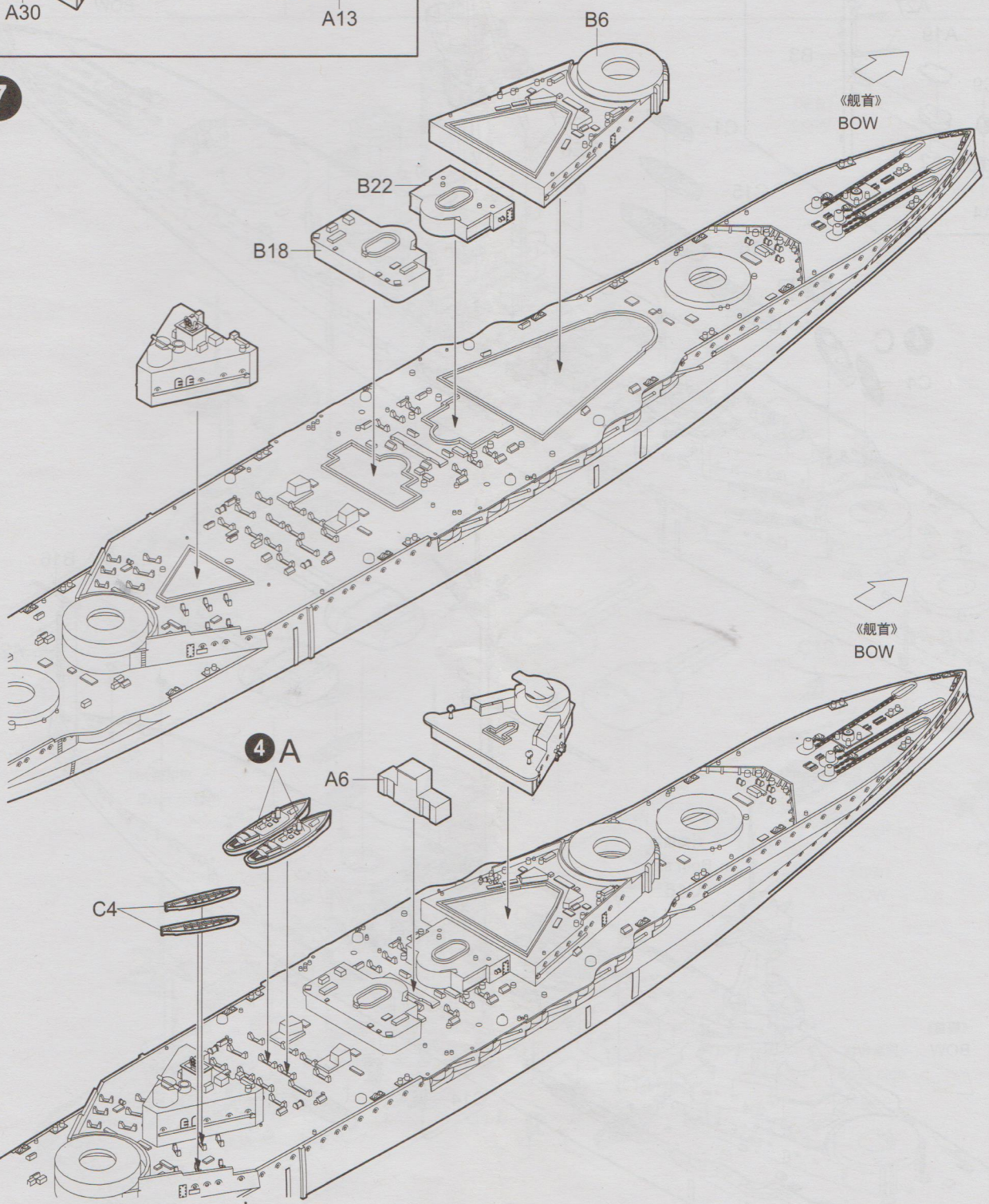
5



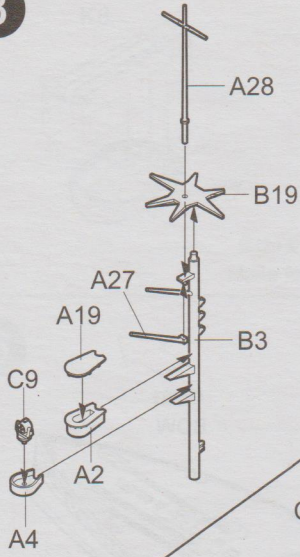
6



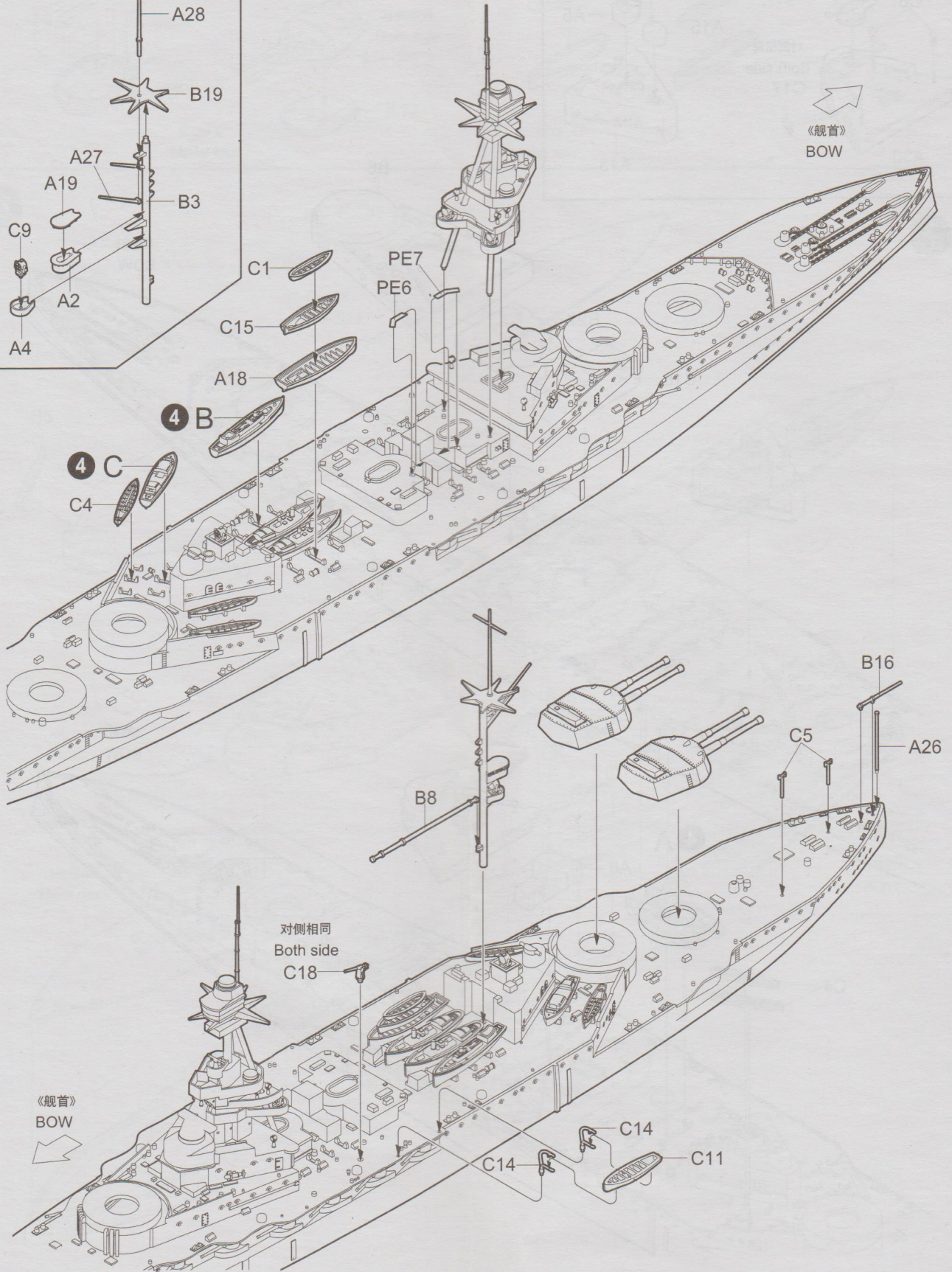
7

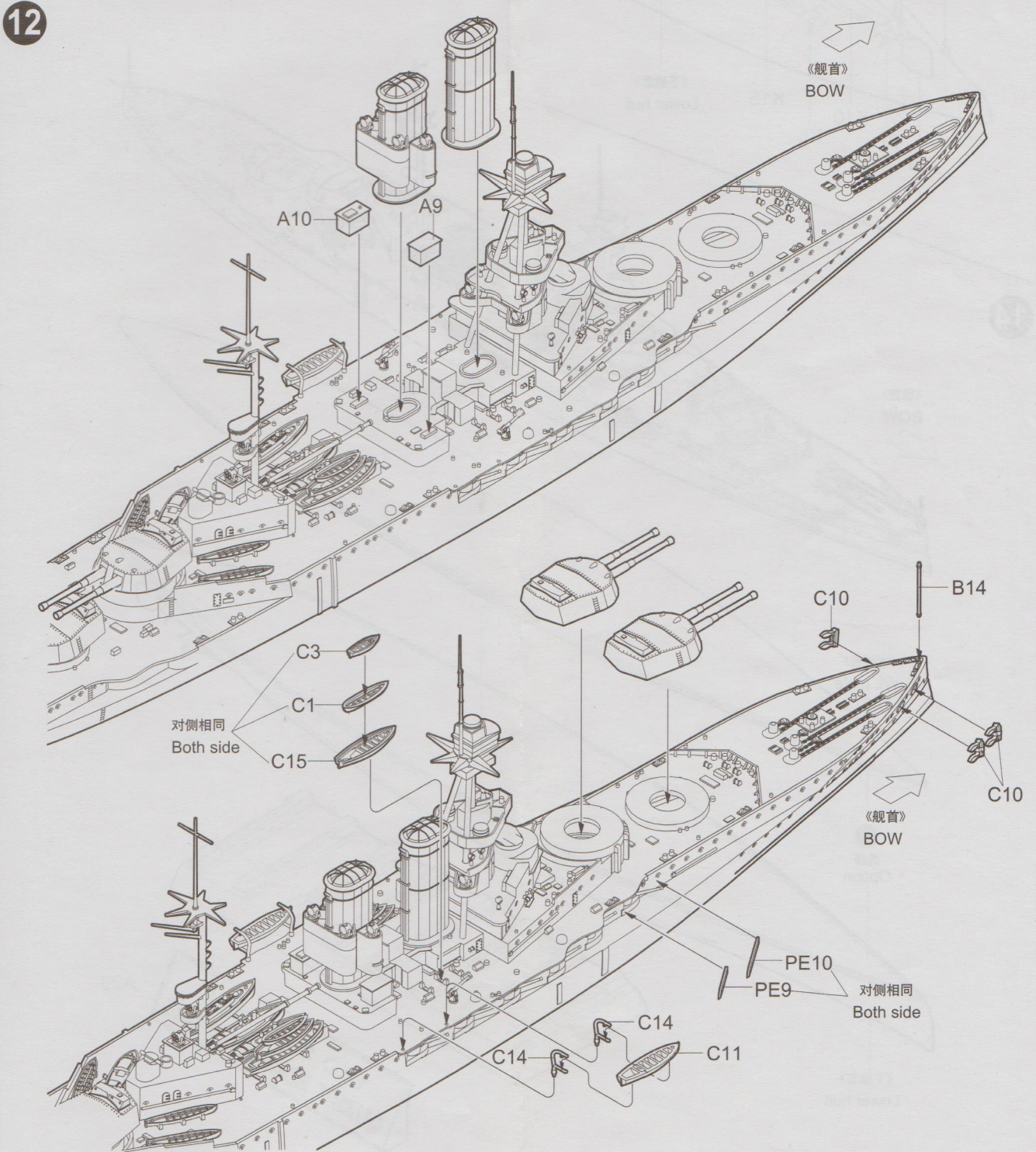
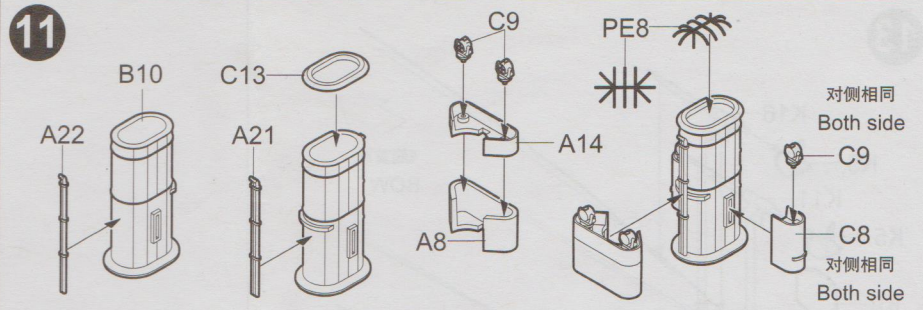
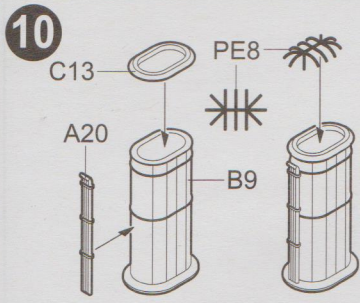


8

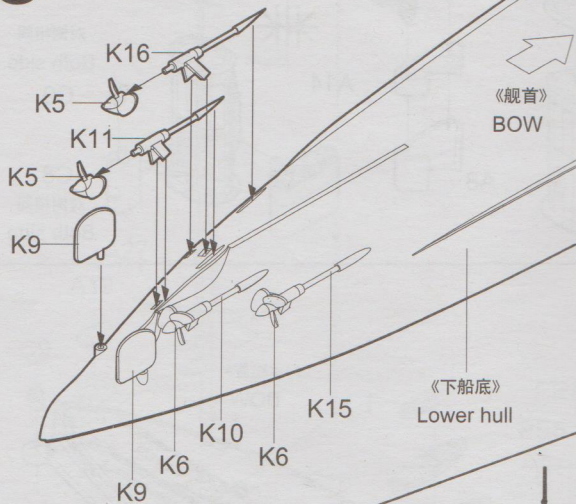


9

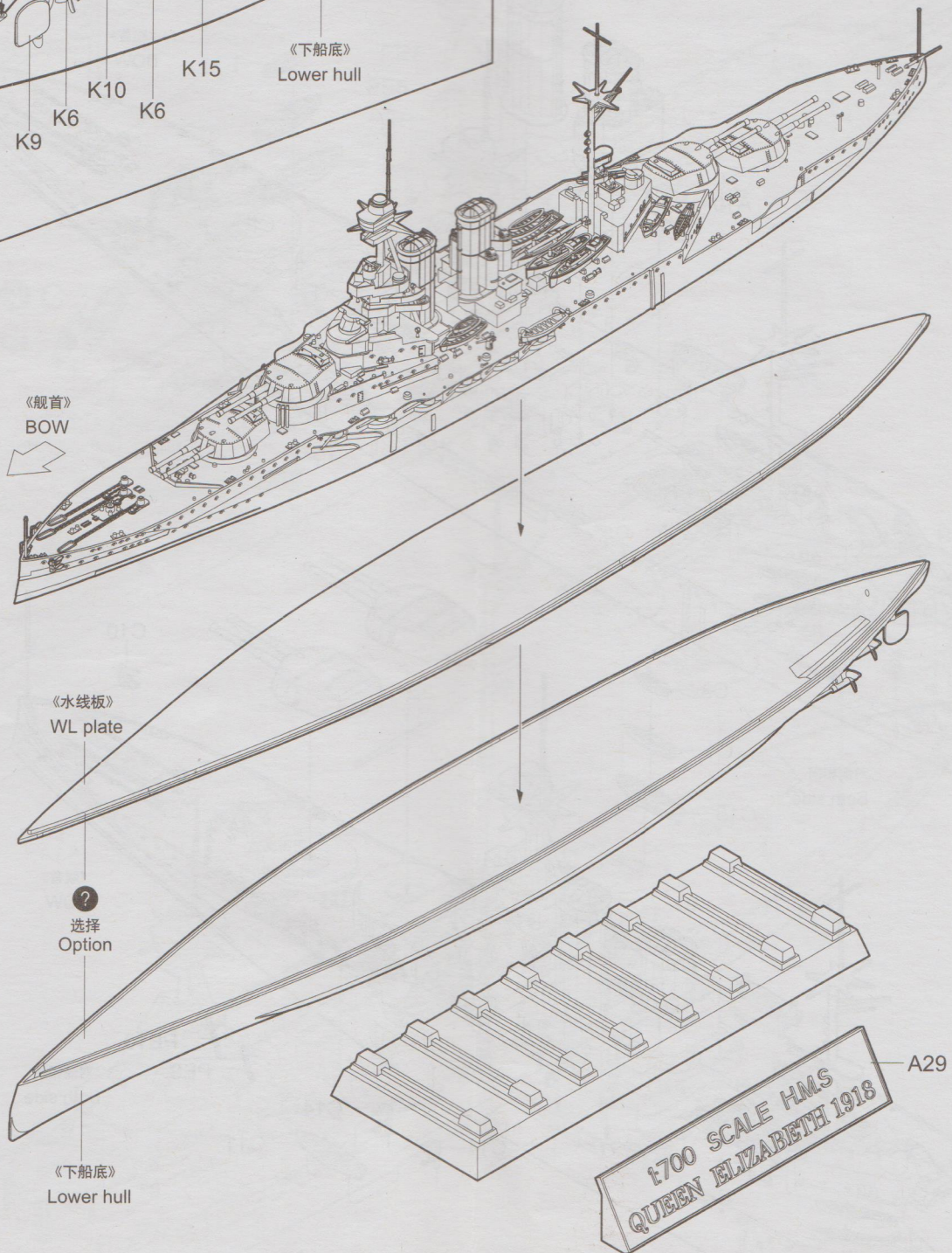




13



14

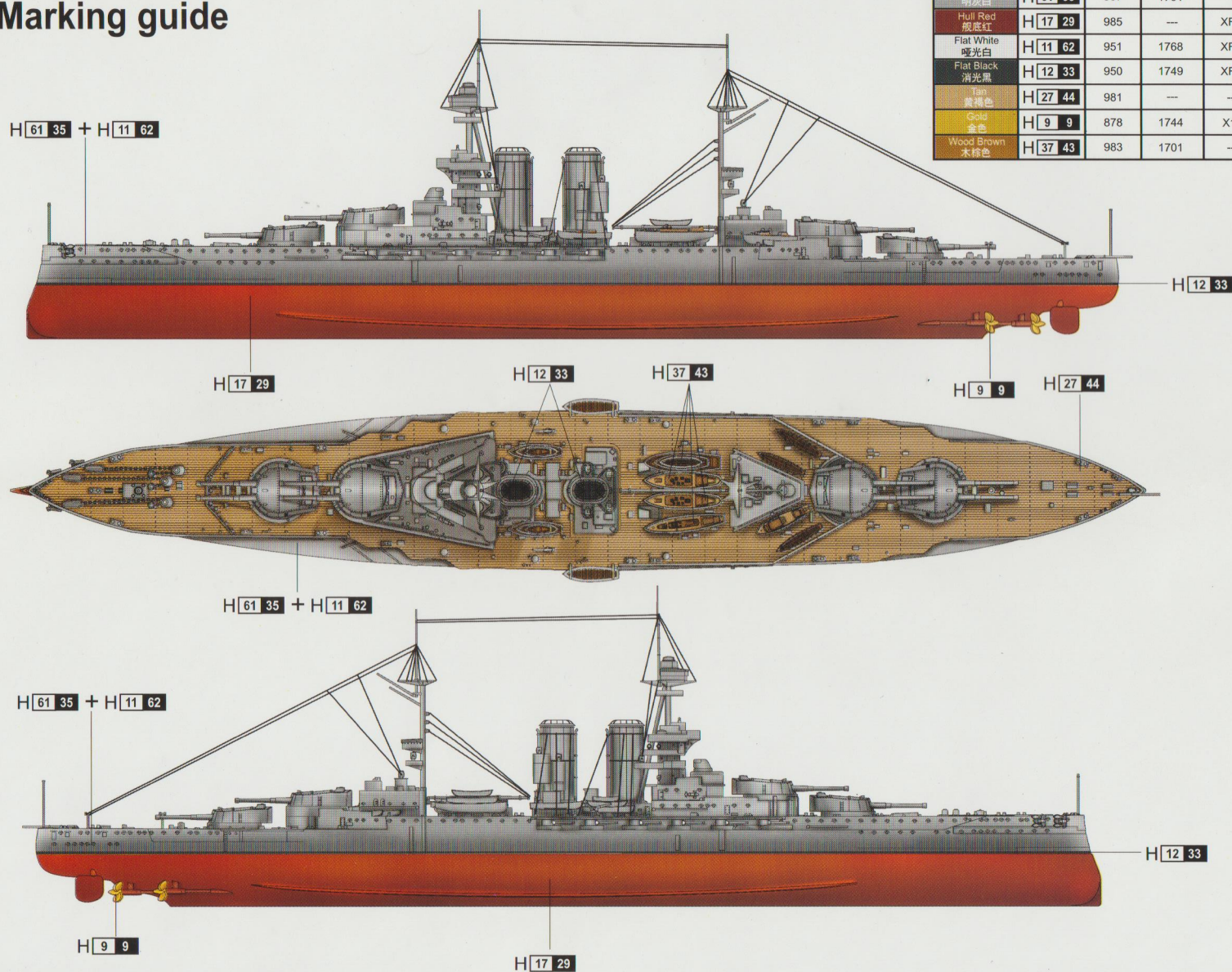


# 涂装同标贴指示

## Painting & Marking guide

### PAINT REFERENCE COLOUR

Color	Mr.Hobby	Vallejo	Model Master	Tamiya	Humbrol
Gray 明灰白	H 61 35	907	1731	---	146
Hull Red 舰底红	H 17 29	985	---	XF9	177
Flat White 哑光白	H 11 62	951	1768	XF1	34
Flat Black 消光黑	H 12 33	950	1749	XF1	33
Tan 黄褐色	H 27 44	981	---	---	9
Gold 金色	H 9 9	878	1744	X12	16
Wood Brown 木棕色	H 37 43	983	1701	---	186



H☐ AQUEOUS HOBBY COLOR    ☒ Mr. COLOR

05797 1/700 HMS Queen Elizabeth 1918