

"HURRICANE" MK.II D/TROP

1:24 SCALE

英国"飓风"MK.II D/TROP

READ BEFORE ASSEMBLY:

- This kit is not recommended for inexperienced modelers or for children under 14 years of age
- Study and understand these instructions thoroughly before beginning assembly
- When needed, remove photo-etch parts carefully using a modeling knife or photo etch sprue cutter, being careful not to damage or lose small parts.
- Take extra care in handling photo etch parts in order to avoid injury
- Apply instant cement sparingly to photo etch parts where instructed

- Tools recommended(not included in kit):Plastic and instant cements,sprue cutters,long nose pliers,modeling knife, small files, tweezers, pin vise & scissors. Soft cloth and sandpaper will also assist in construction
- Glue and paint are not included in the kit. Use plastic cement and hobby paints only. Color guide for purchasing paint is included in the kit.
- Keep out of reach of children. They must not be allowed to ingest small parts or handle plastic bags in any way.

装配之前仔细阅读

- 小心用模型锉刀锉平所有零件表面的注射浇口。
- 小心用刀片切下蚀刻片零件，不要遗失小零件。
- 用强力快干胶水粘合蚀刻片零件和金属轴。过量的快干胶水使用可能导致可动零件会粘住，小心涂胶。
- 取蚀刻片时应特别注意安全，防止利边划伤手指。
- 某些零件表面需贴水上贴纸，请选择在装配的同时进行。
- 推荐模型工具(自备)：胶水，水口剪刀，长咀钳，刀片，锉刀，镊子钳，钻，剪刀，瞬间快干胶。
- 软布同砂纸同时也应该是必备工具。
- 请使用塑料胶水和油漆，模型内不含。
- 谨防小孩吮吸塑料零件，或者将塑料袋套在头上，制作时应将套材远离小孩接触。
- 本产品不适合14岁以下没有经验的模型爱好者。

水贴纸的使用:

1. 从水贴上剪下印花;
2. 将印花放入温水中浸10秒, 然后放在干净布上。
3. 拿着印花纸板将印花移到模型上;
4. 手指蘸水将印花移到适当的位置;
5. 用软布轻压印花直至水干, 气泡消失。

DECAL APPLICATION:

1. Cut decals from sheet as needed
2. Dip the decal in warm water for about 10 seconds and then place on soft clean cloth.
3. Hold the decal backing sheet edge and gently slide the decal onto the model in its proper position.

4. While still wet, decal can be adjusted for better fit on model by dampening it gently with your finger.
5. When placed in the proper position, gently press decal down with a soft cloth until excess water and air bubbles are gone.
6. Allow decal to dry completely before handling model



使用强力胶

Cyanoacrylate glue



配重

Weight



钻孔

Make hole



切除

Cut / Remove



贴纸
Decal



锉平
File / Sand



选择
Option

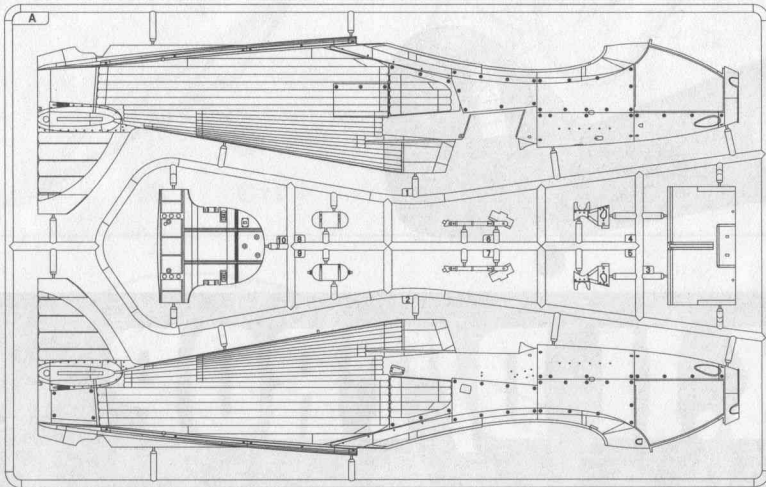


不涂胶水
No cement

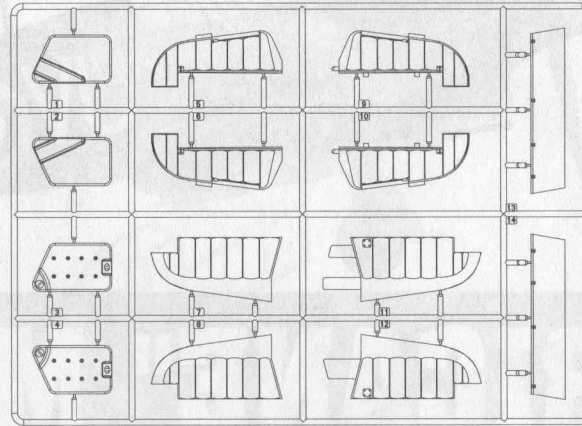


弯曲
Bend

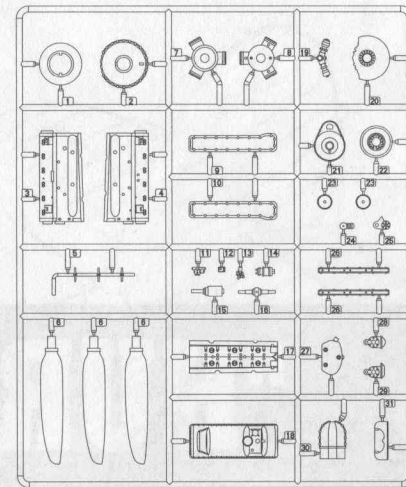
A



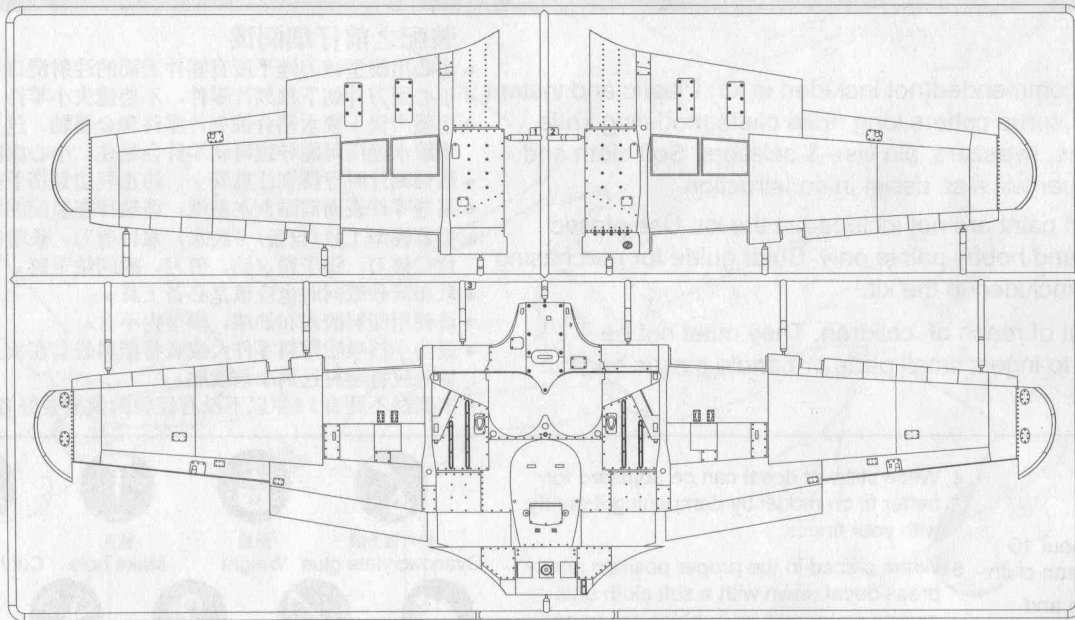
D



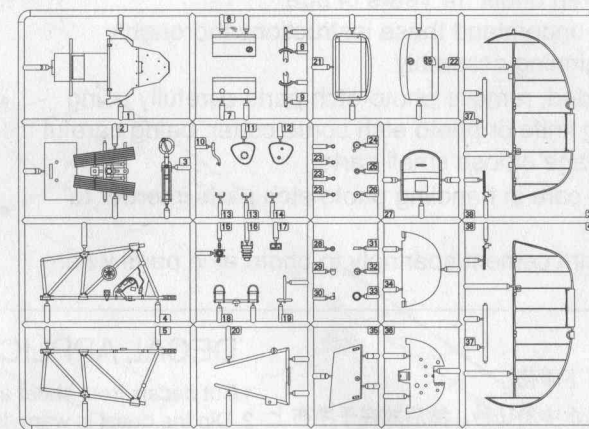
E



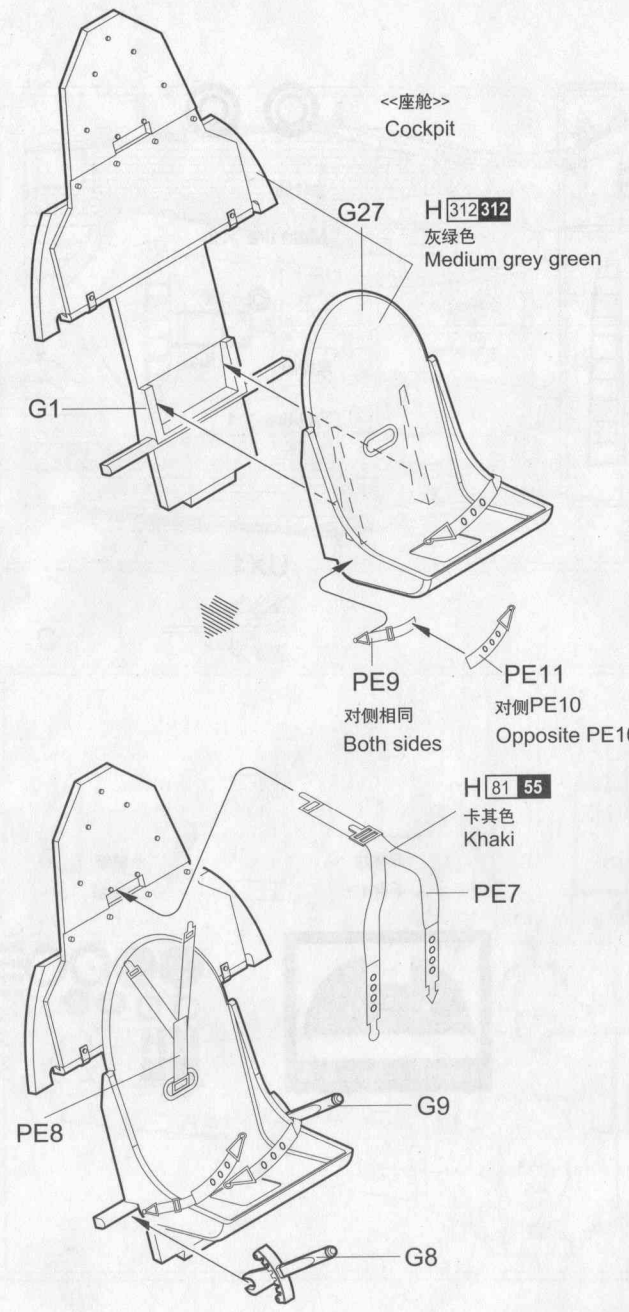
C



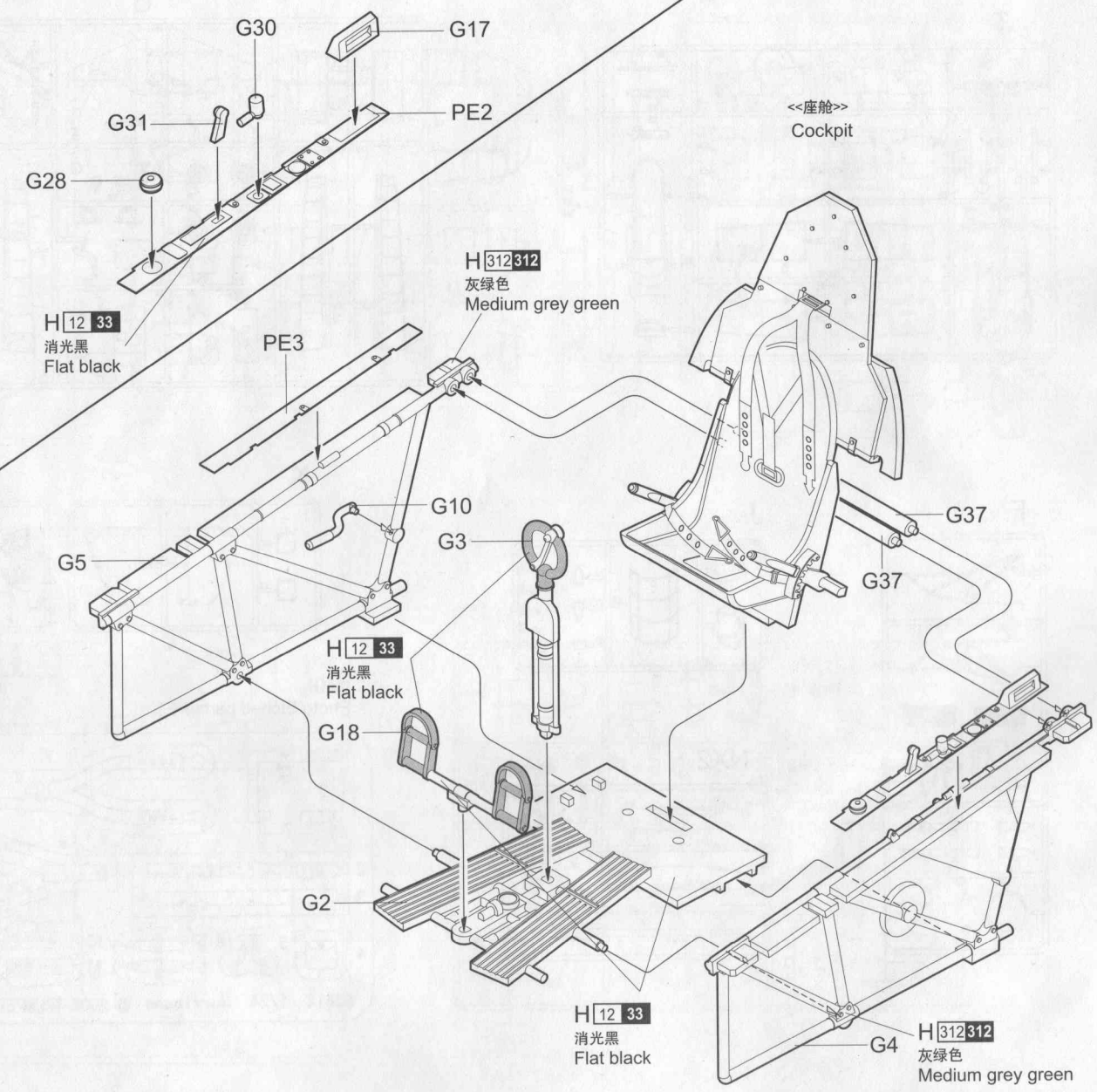
G



1

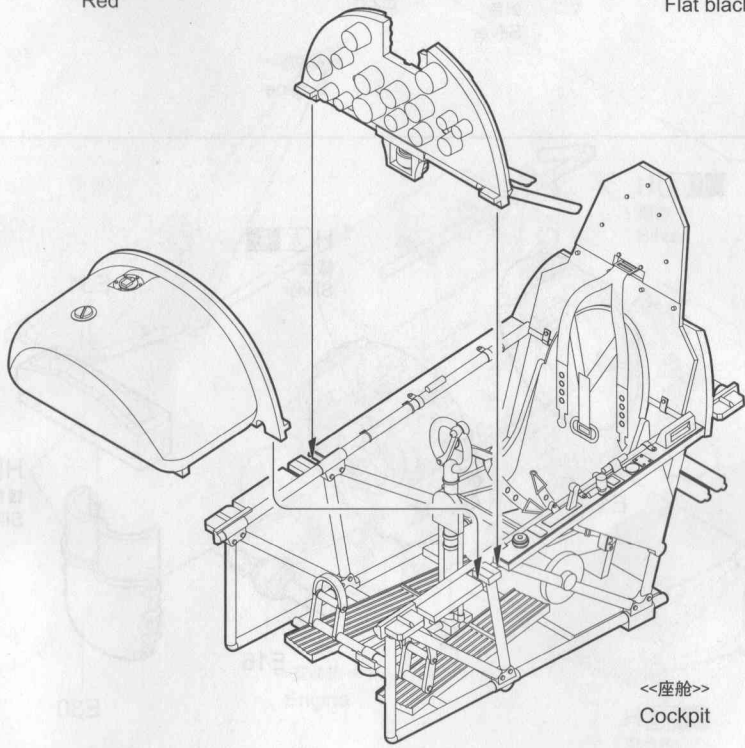
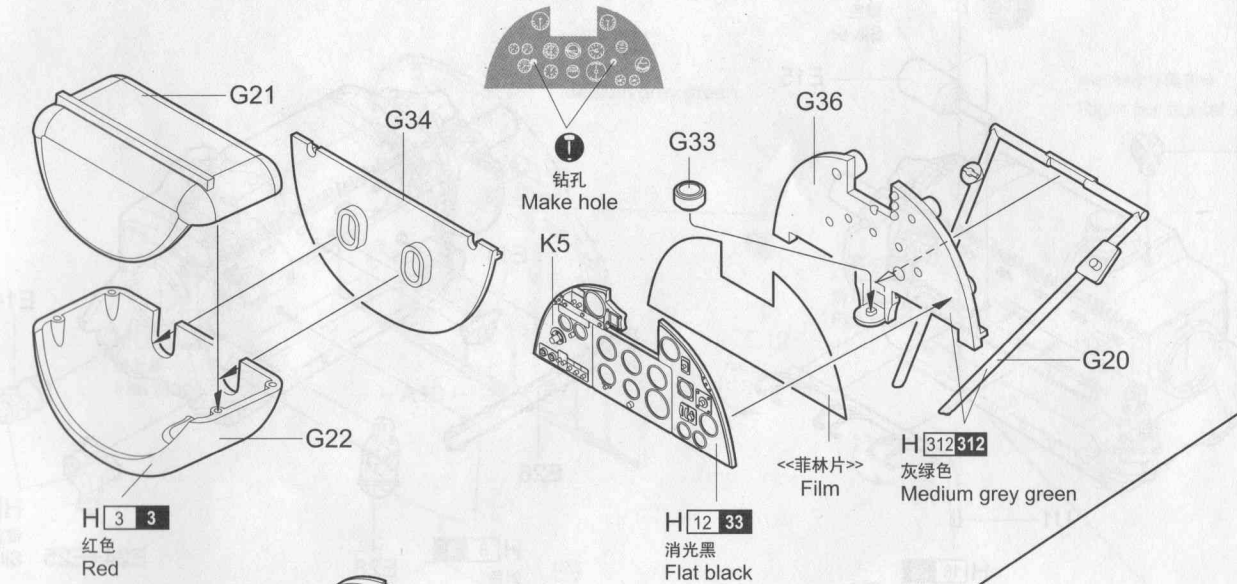


2

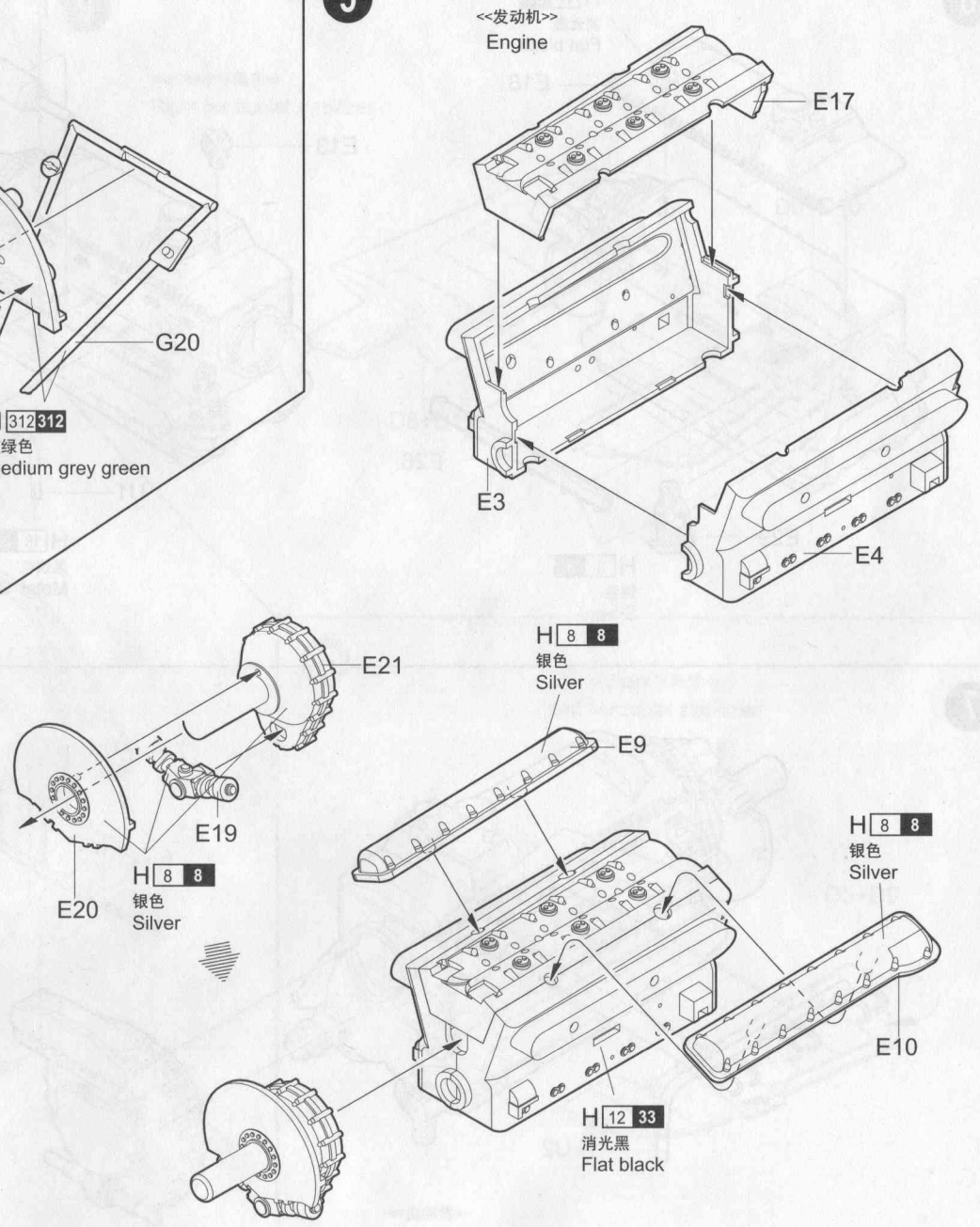


3

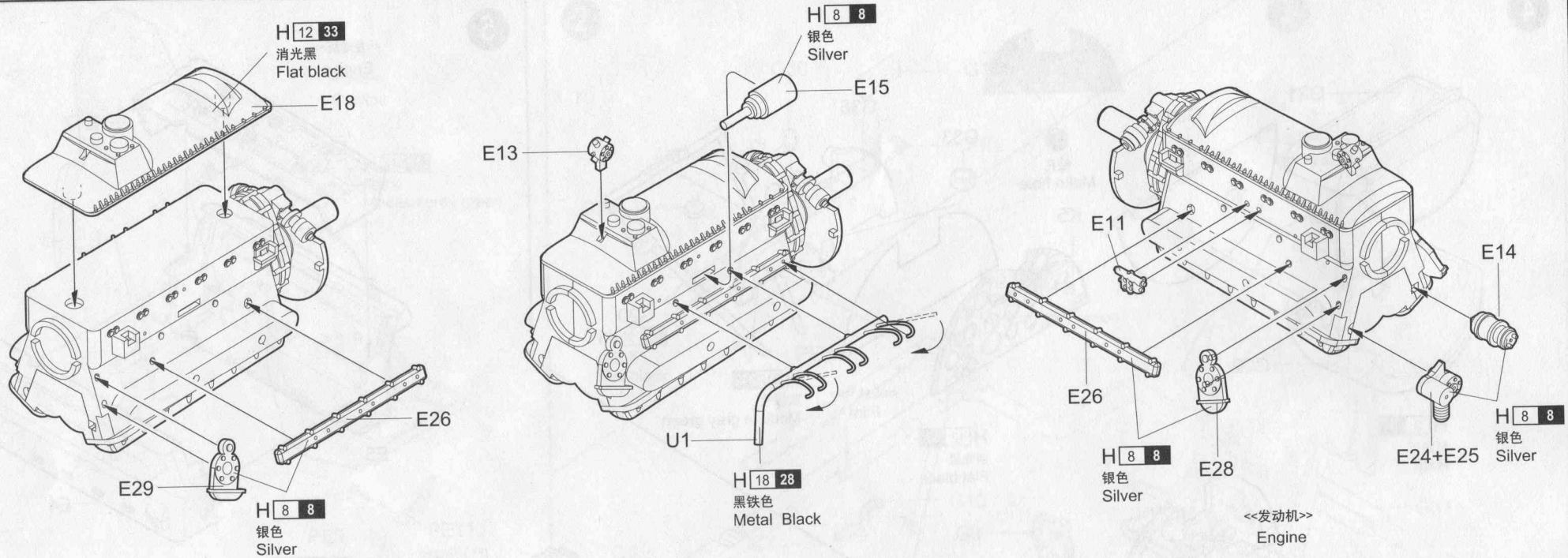
4



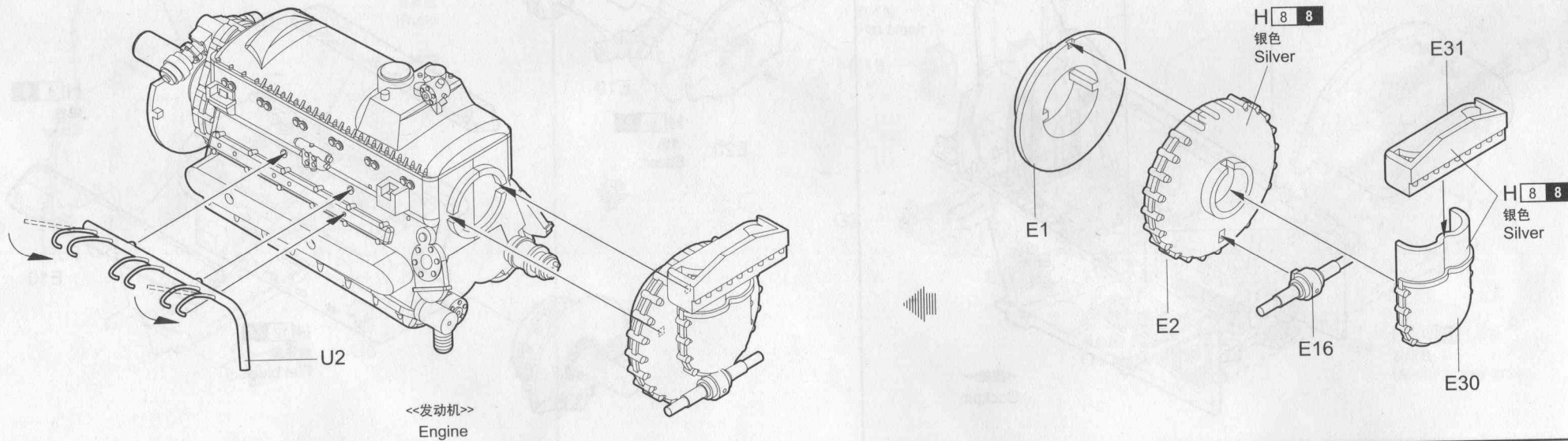
5



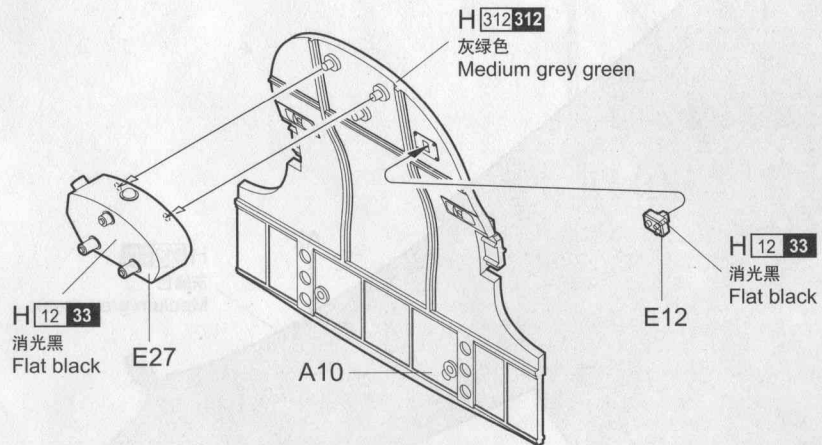
6



7

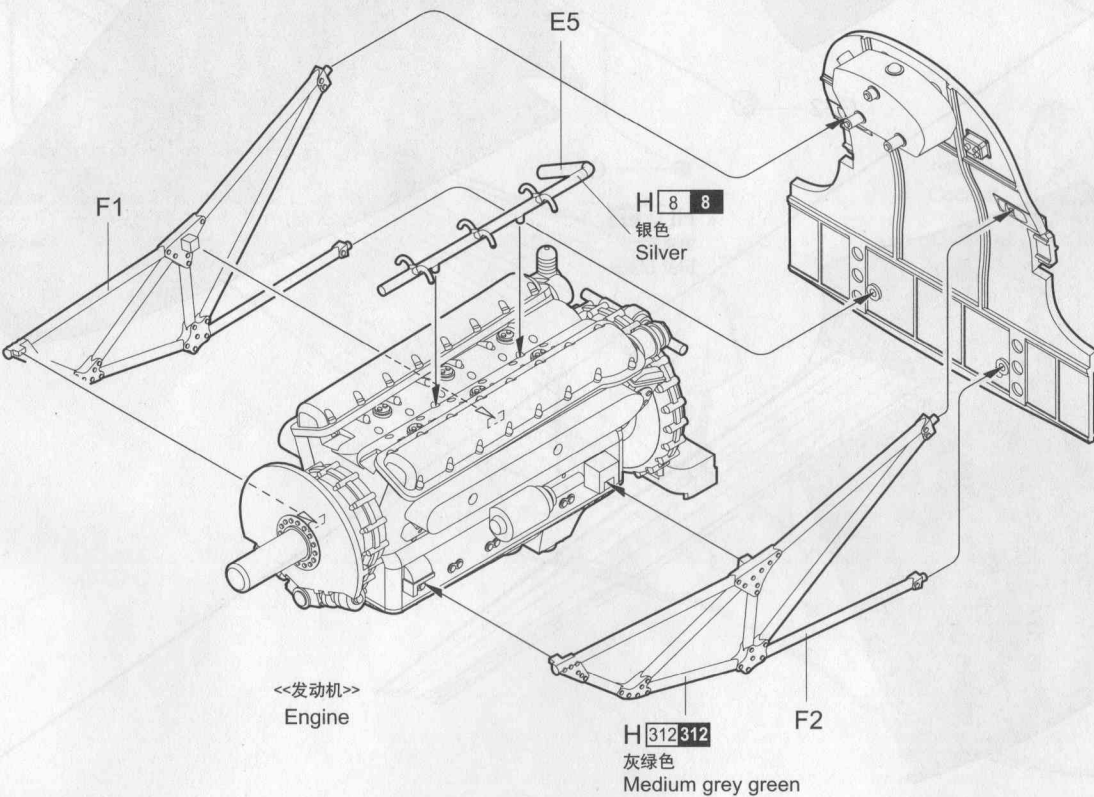
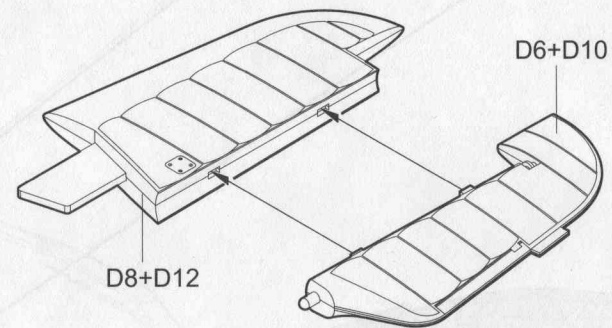


8



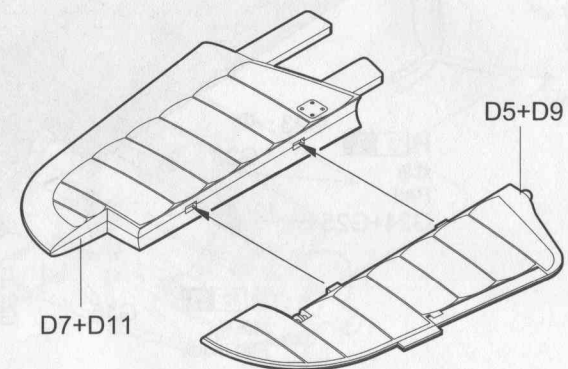
9

<<右侧水平尾翼>>
Right horizontal stabilizer



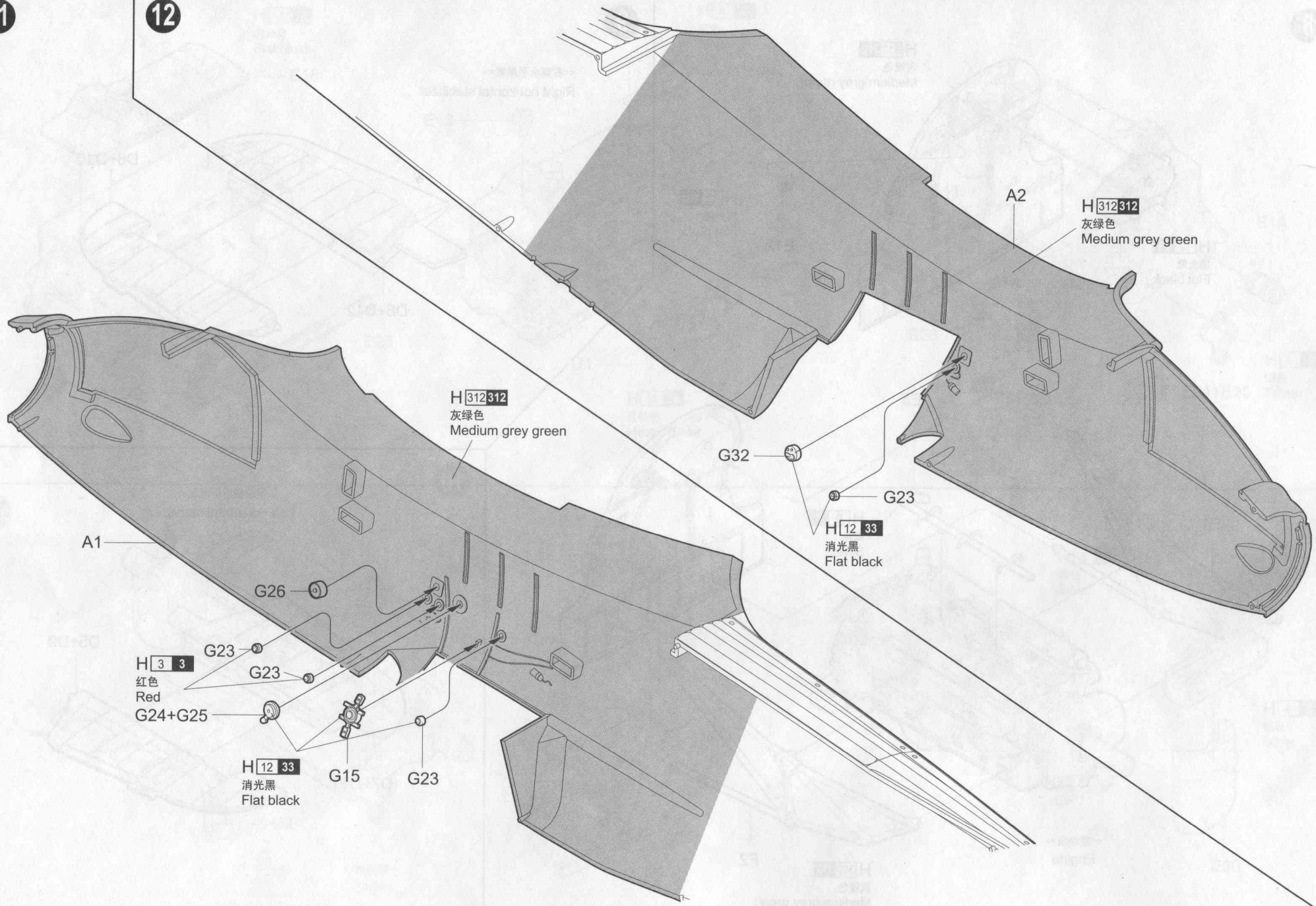
10

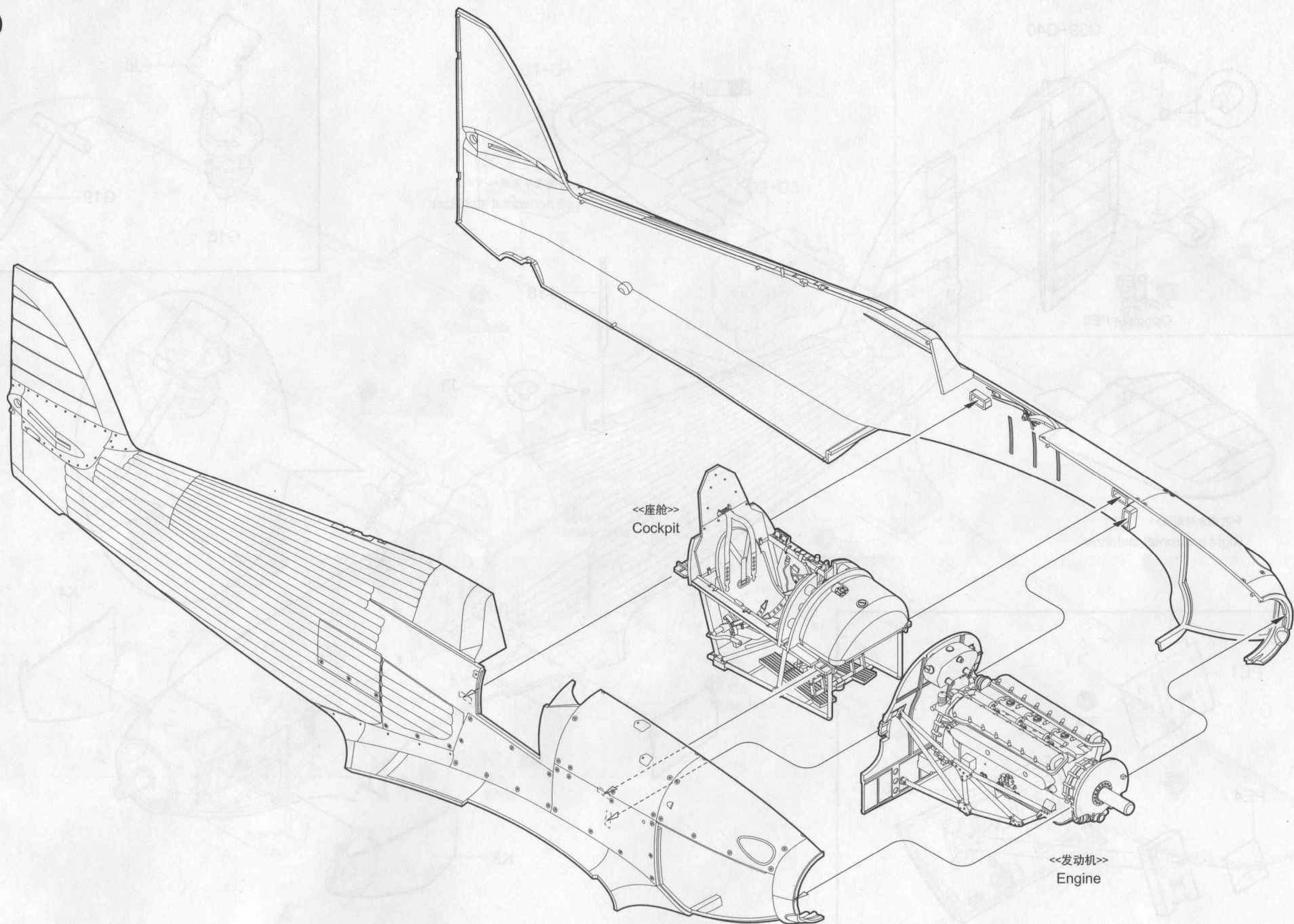
<<左侧水平尾翼>>
Left horizontal stabilizer



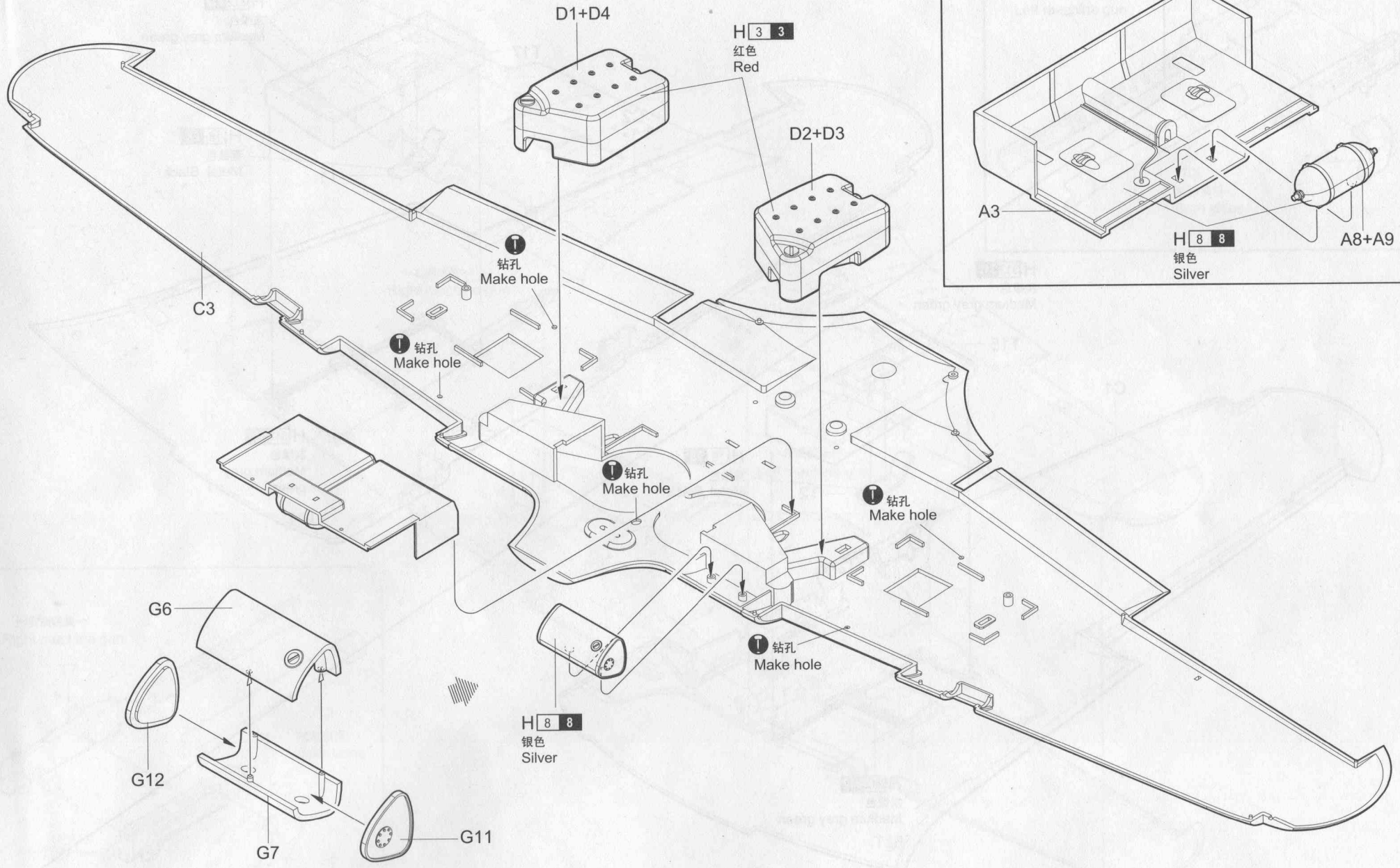
11

12



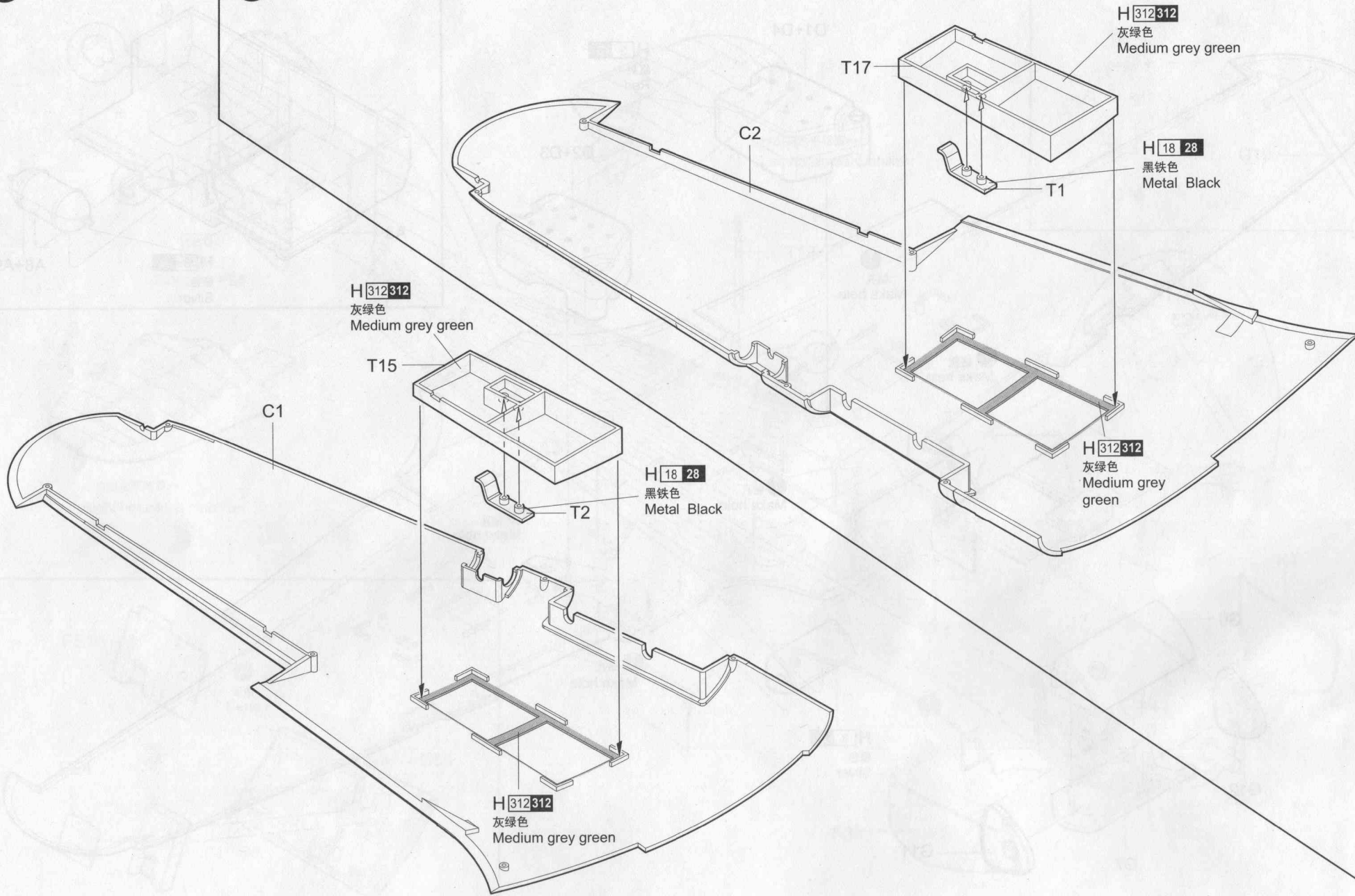


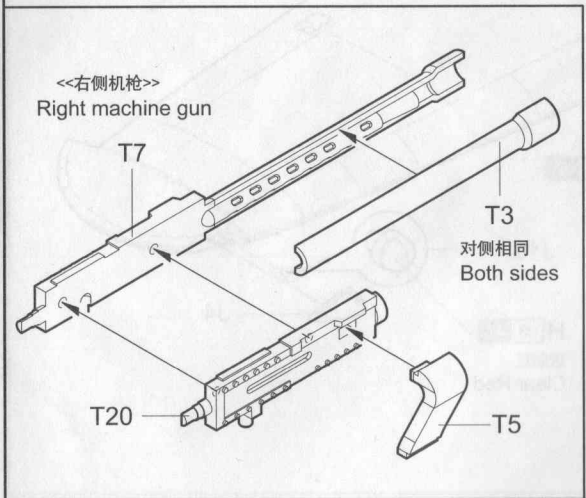
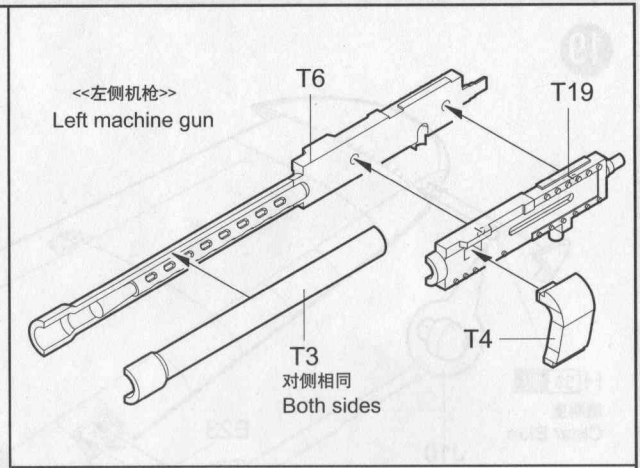
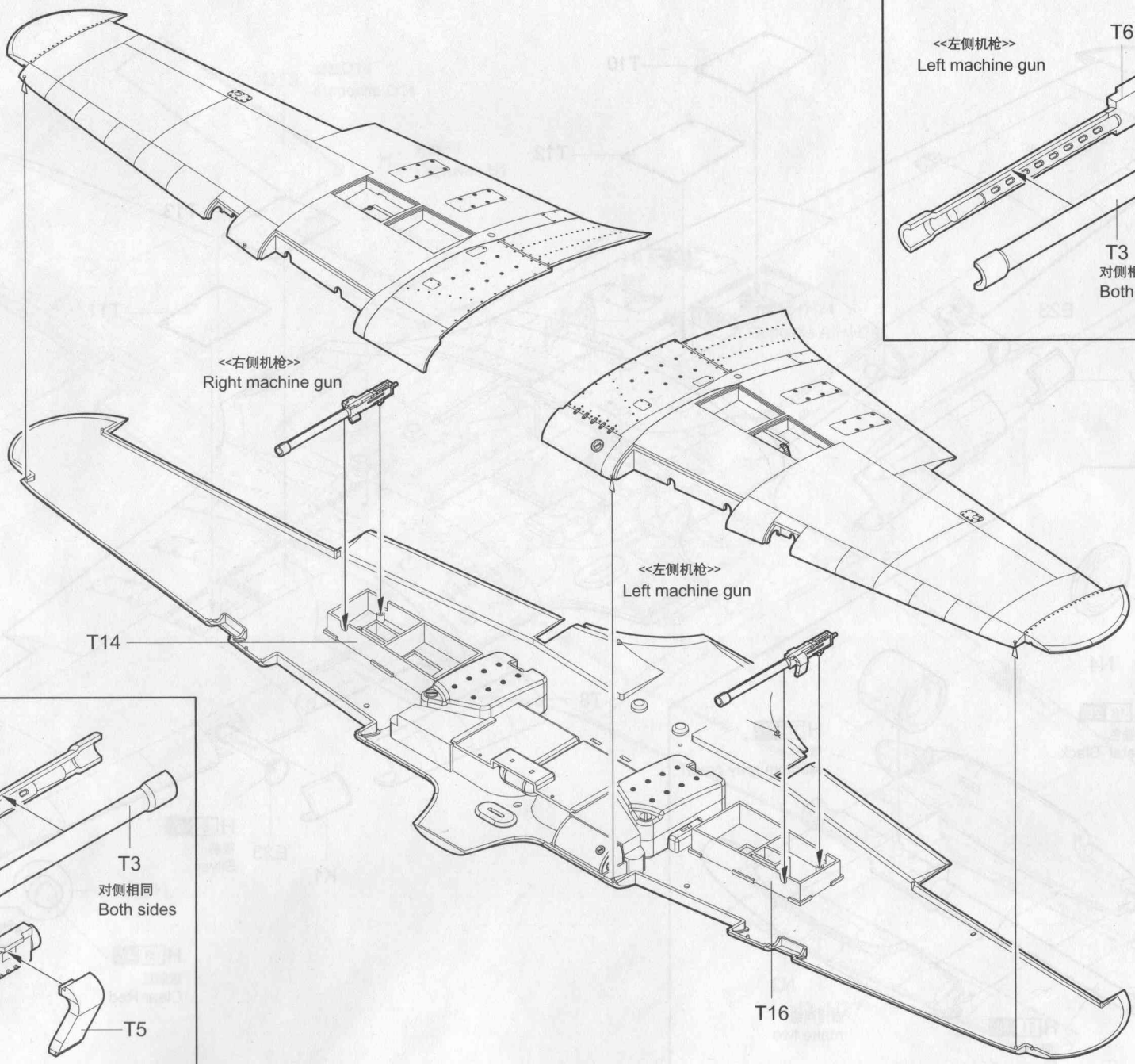
15



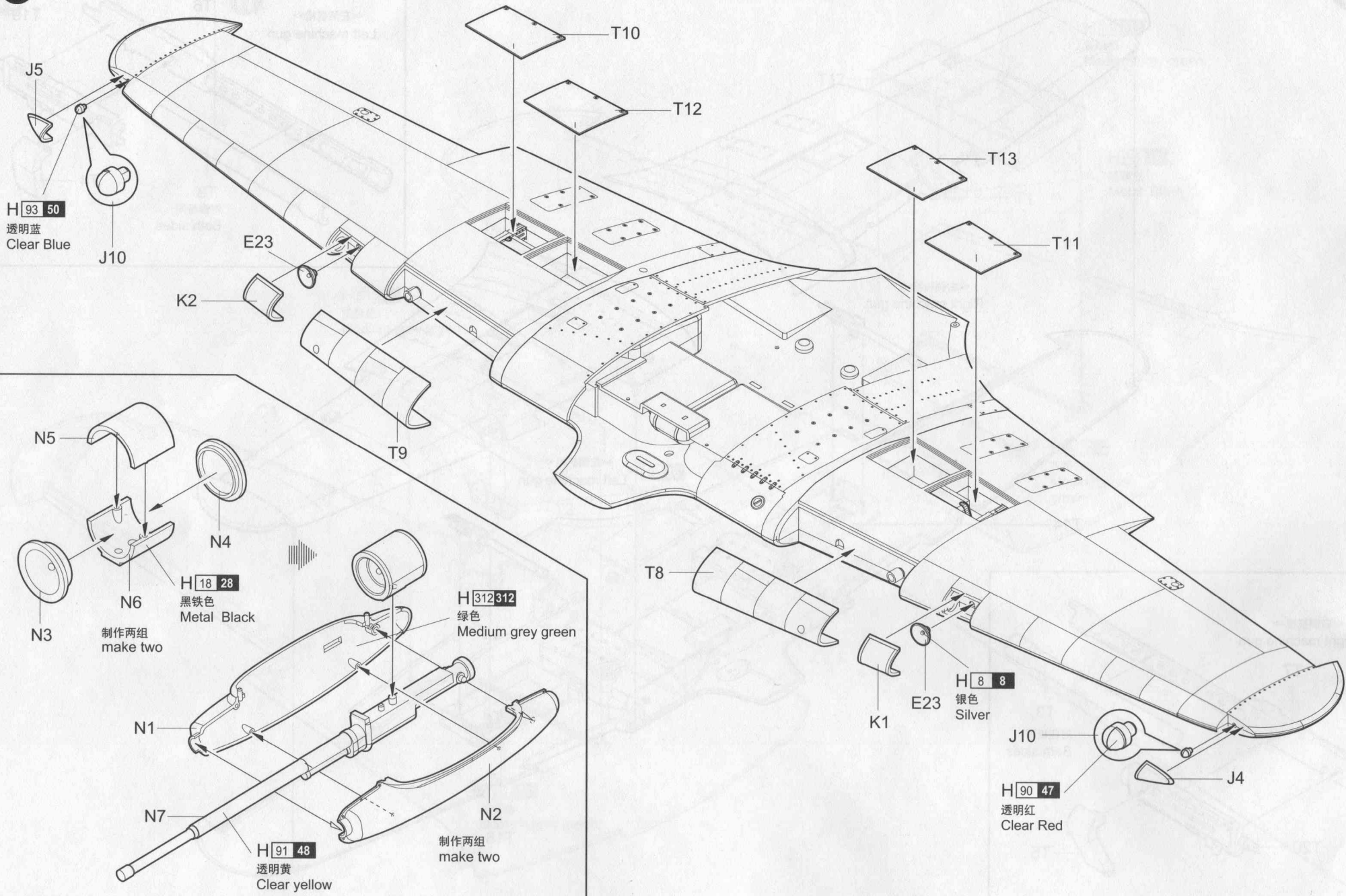
16

17





19



H 93 50

透明蓝
Clear Blue

J10

E23

K2

T9

T10

T12

T13

T11

T8

K1

E23

H 8 8
银色
Silver

J10

J4

H 90 47
透明红
Clear Red

N5

N4

N6

制作两组
make two

N3

H 18 28
黑铁色
Metal Black

H 312 312
绿色
Medium grey green

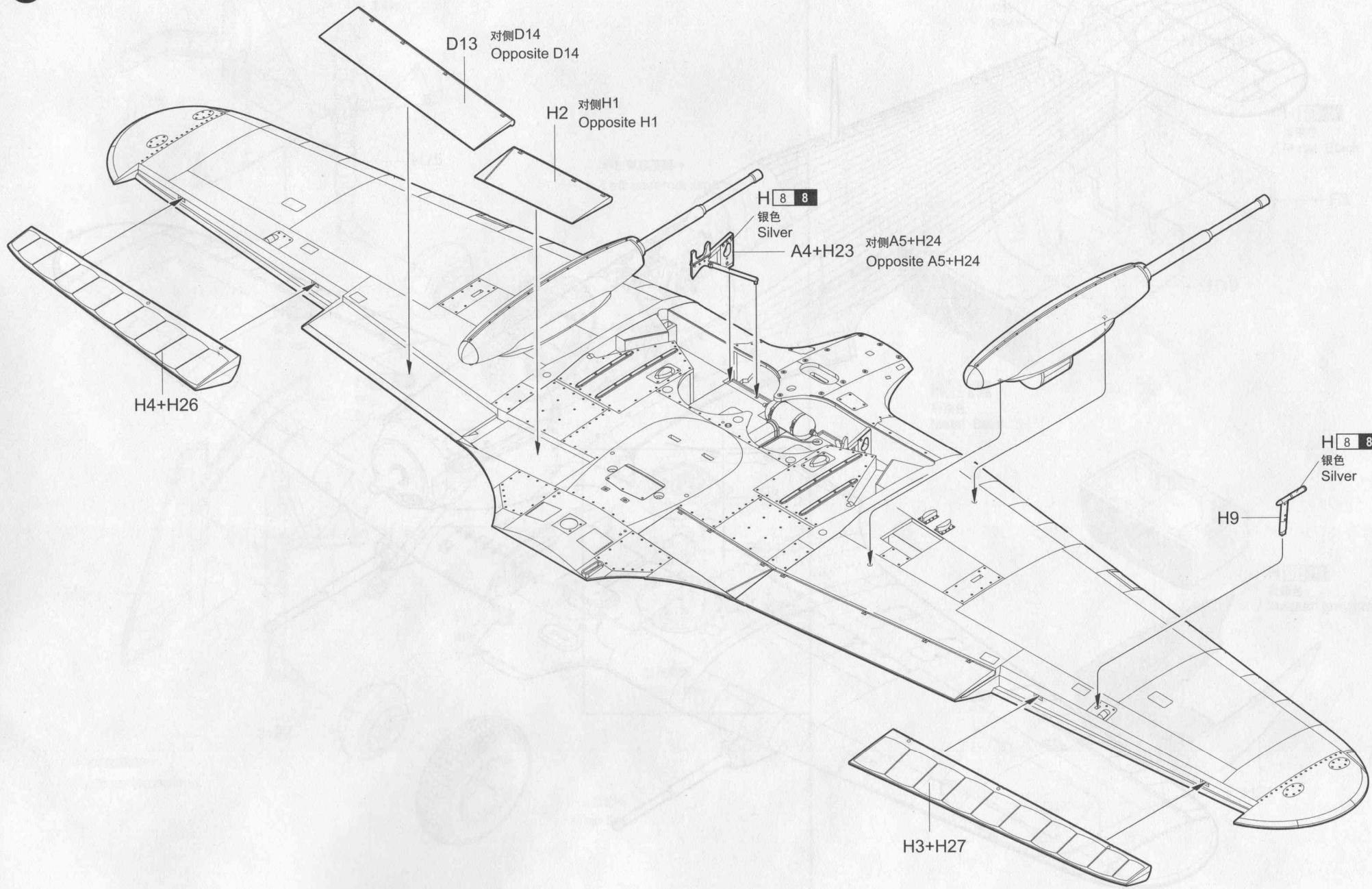
N1

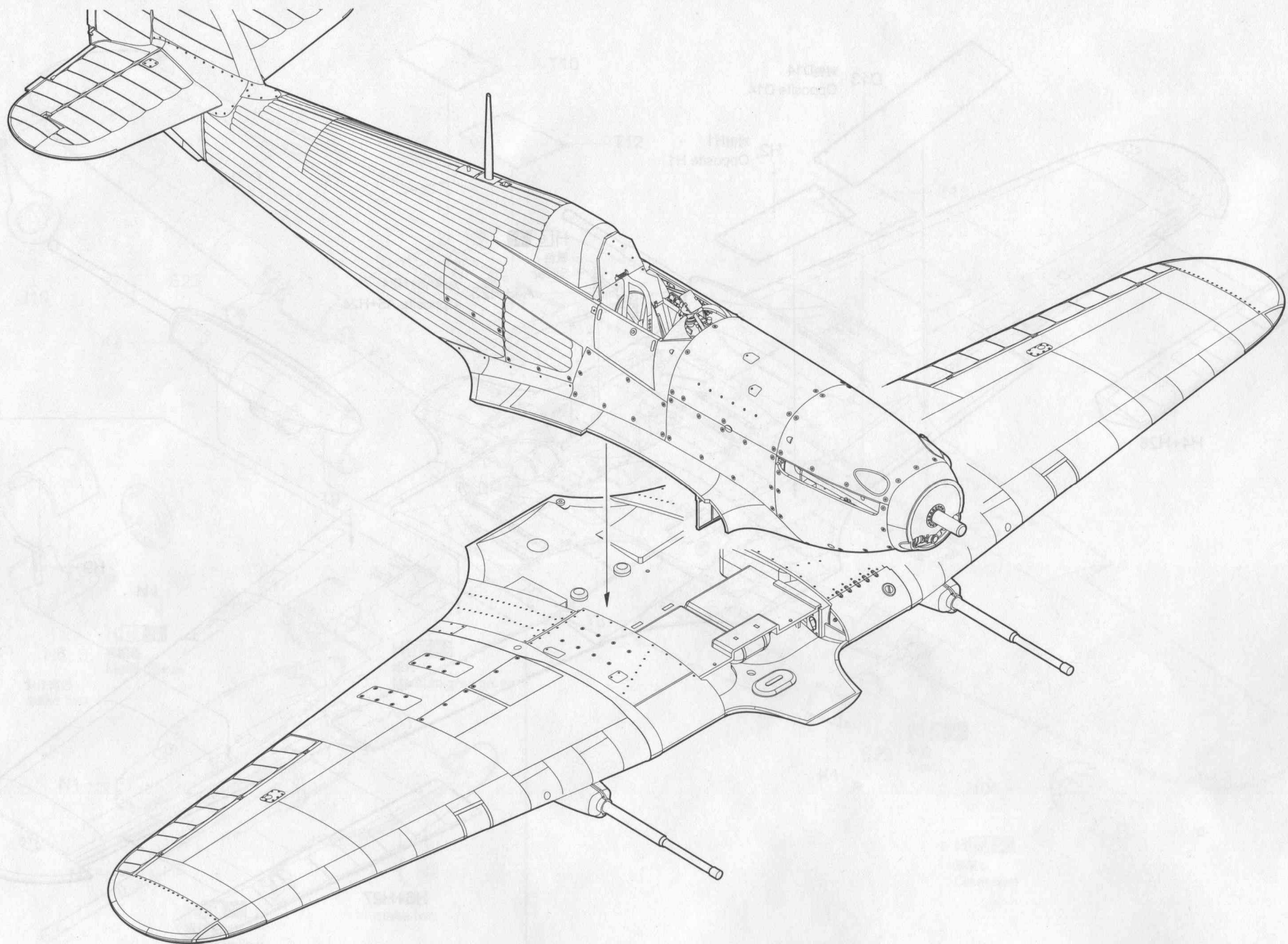
N2

制作两组
make two

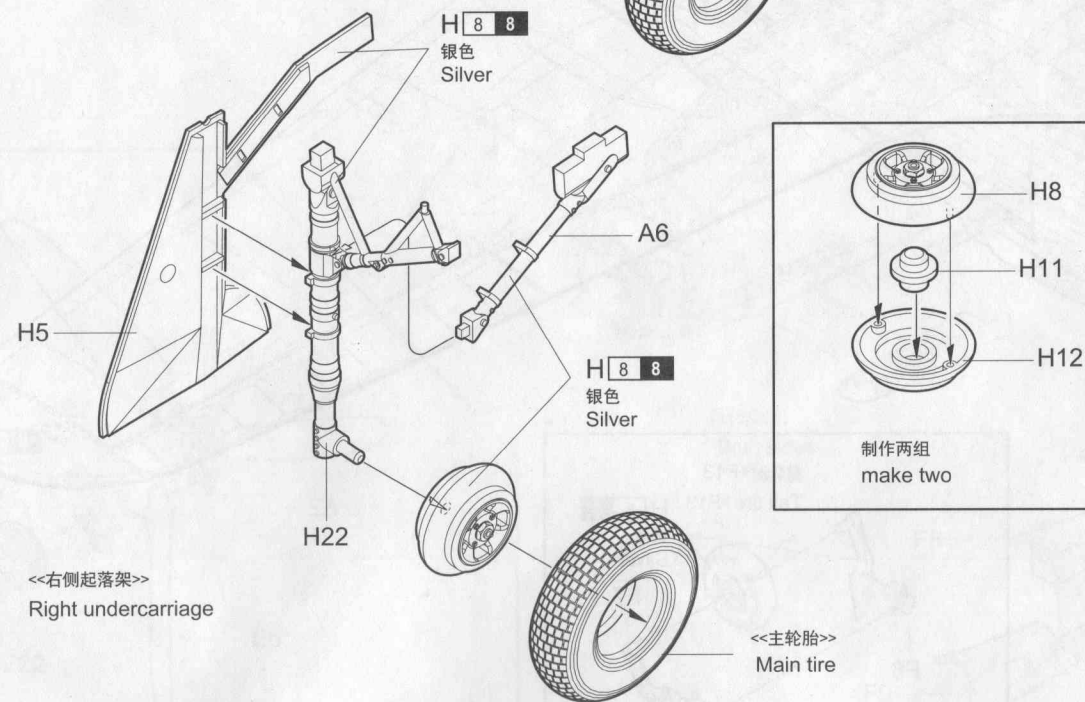
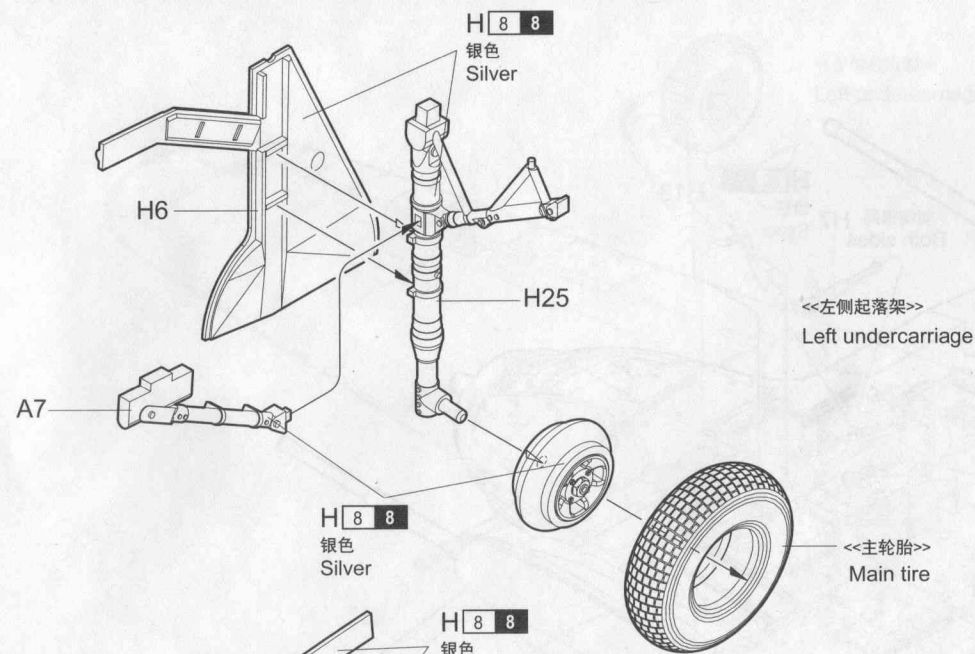
N7

H 91 48
透明黄
Clear yellow

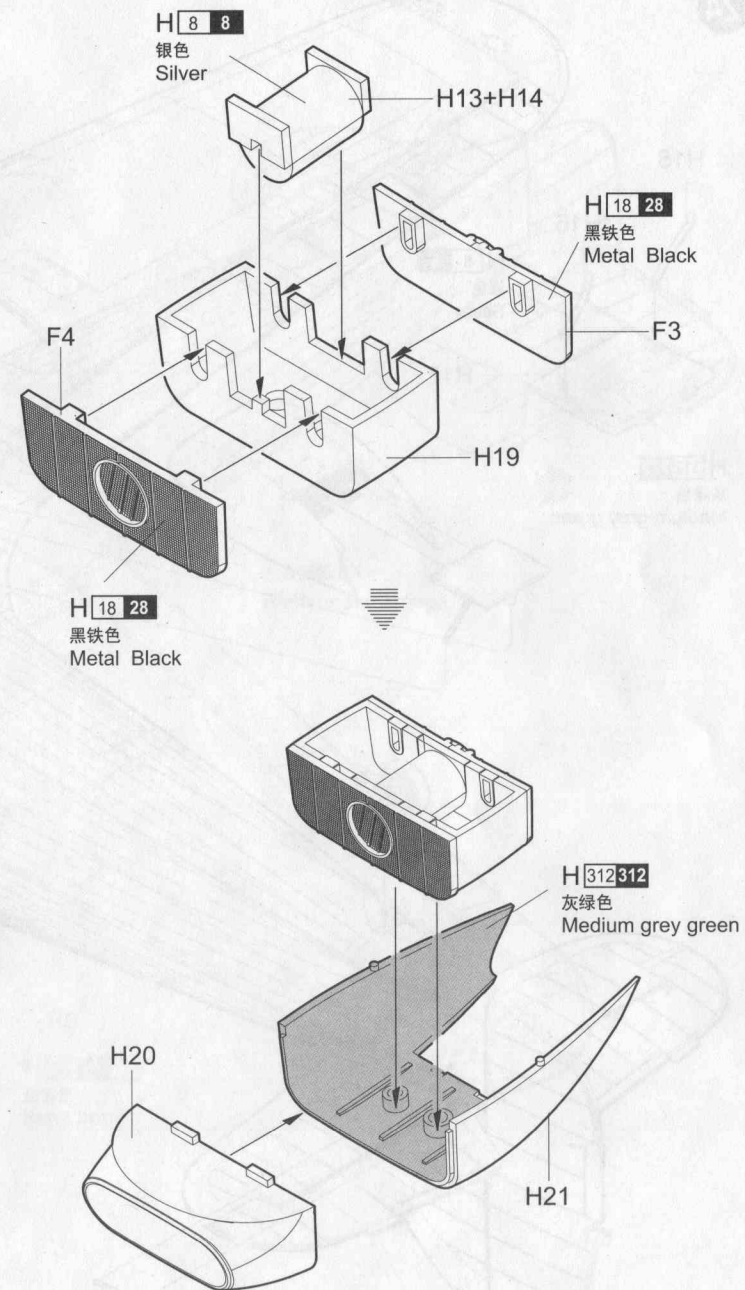


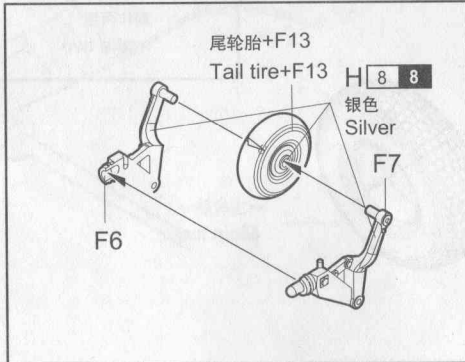
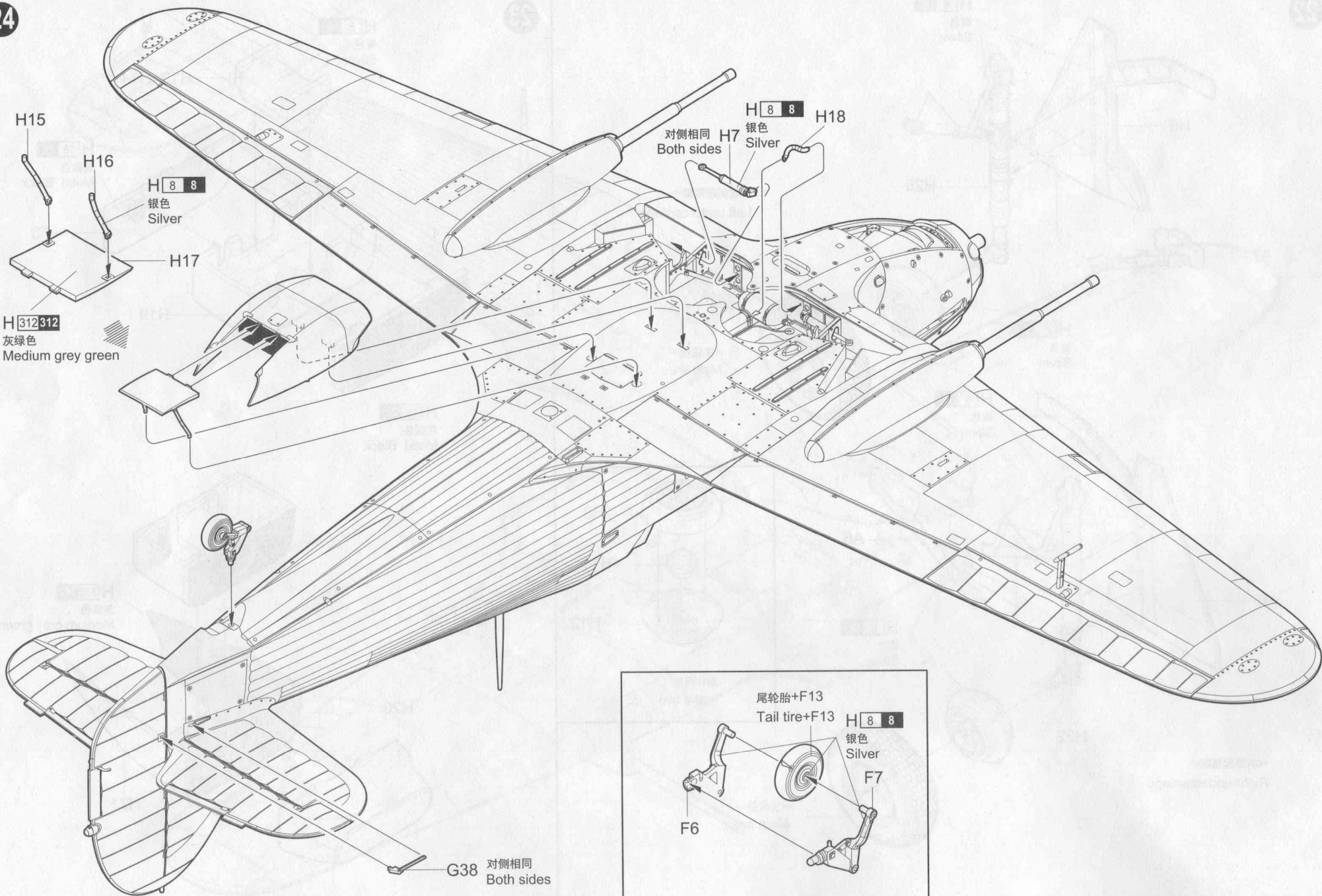


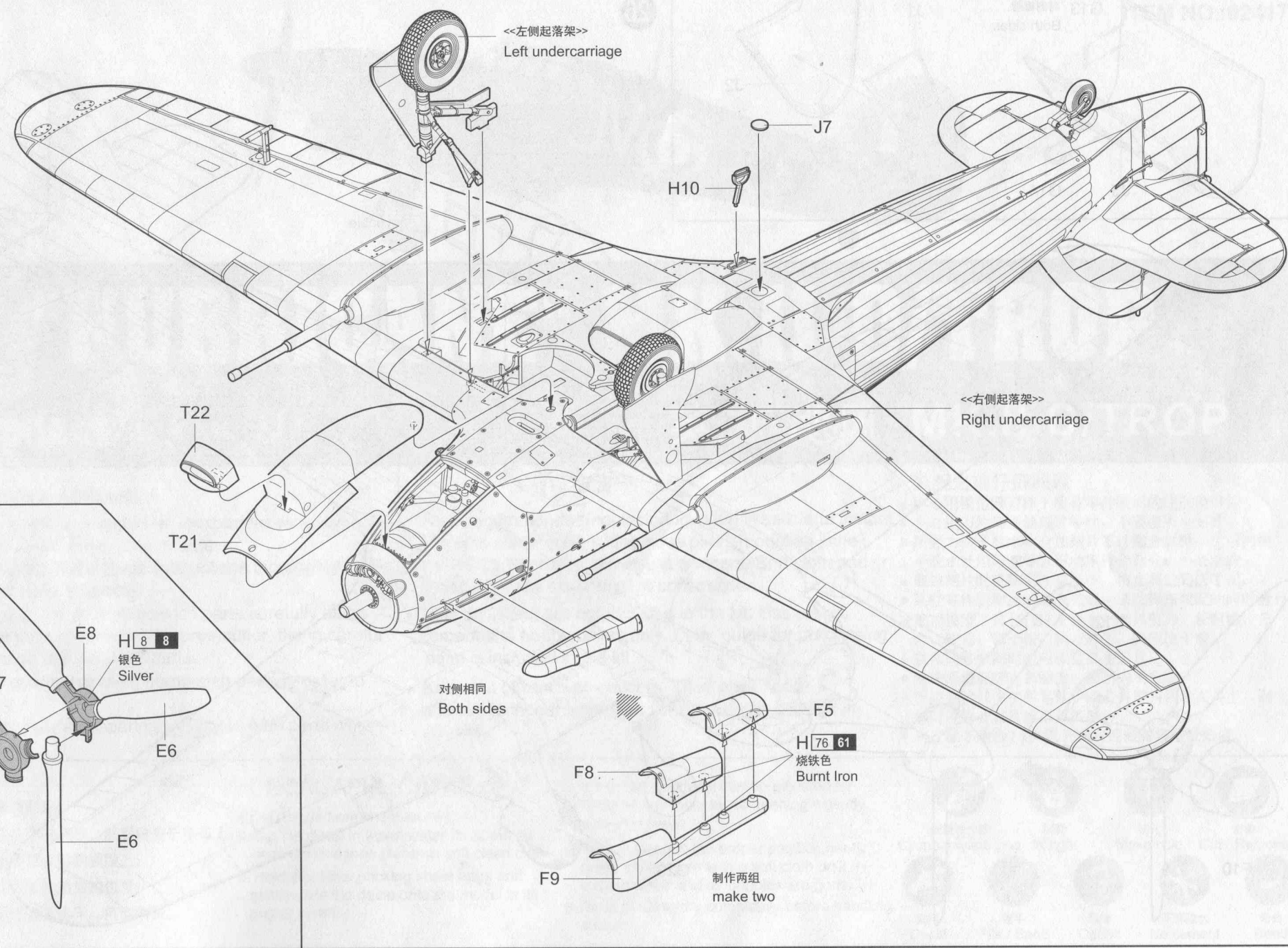
22



23







<<左侧起落架>>
Left undercarriage

<<右侧起落架>>
Right undercarriage

T22

T21

E6

E8

H 8 8
银色
Silver

E7

H 8 8
银色
Silver

E6

E22

E6

对侧相同
Both sides

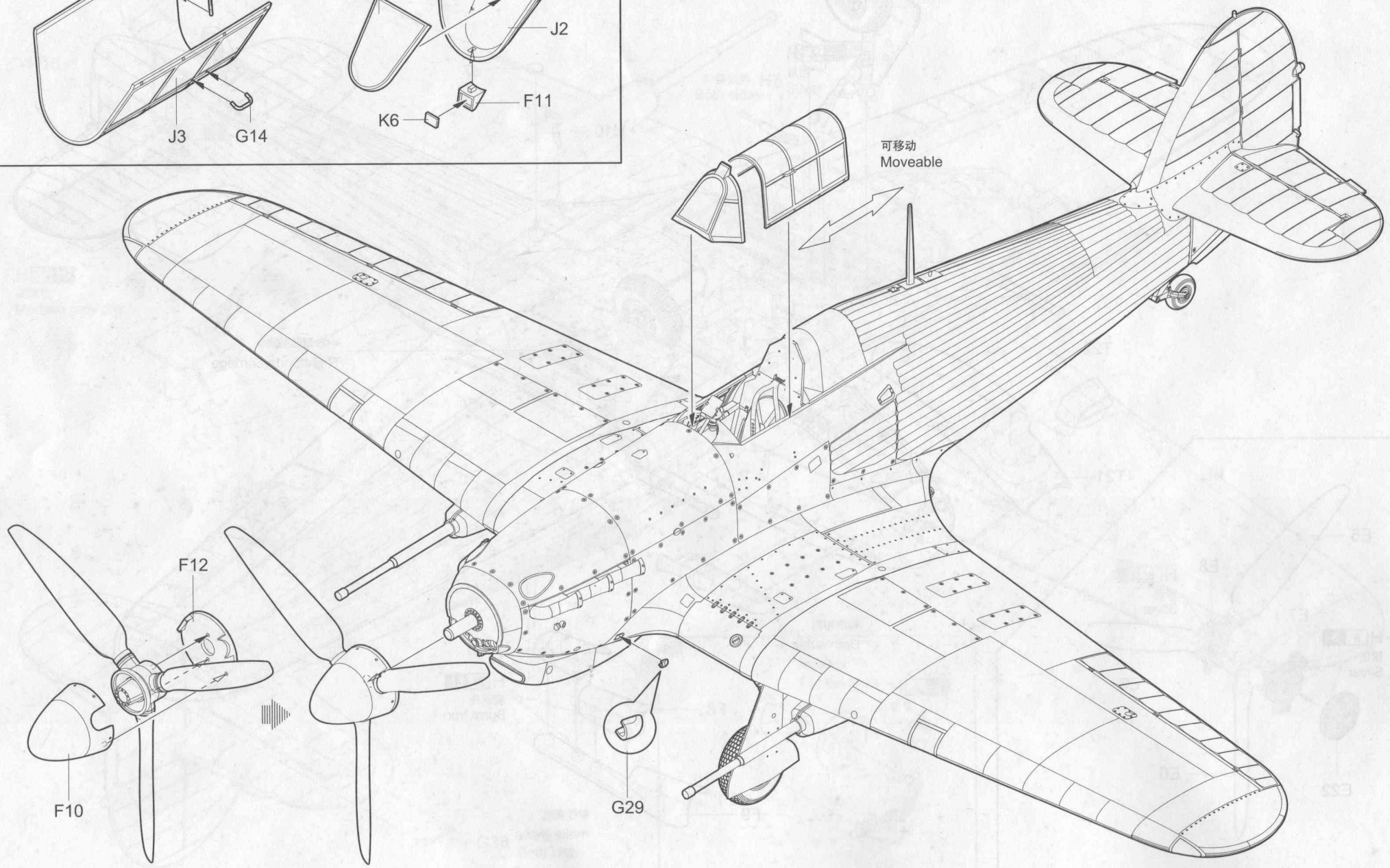
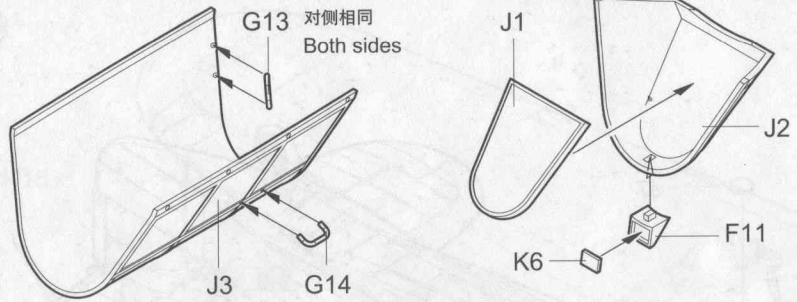
F5

H 76 61
烧铁色
Burnt Iron

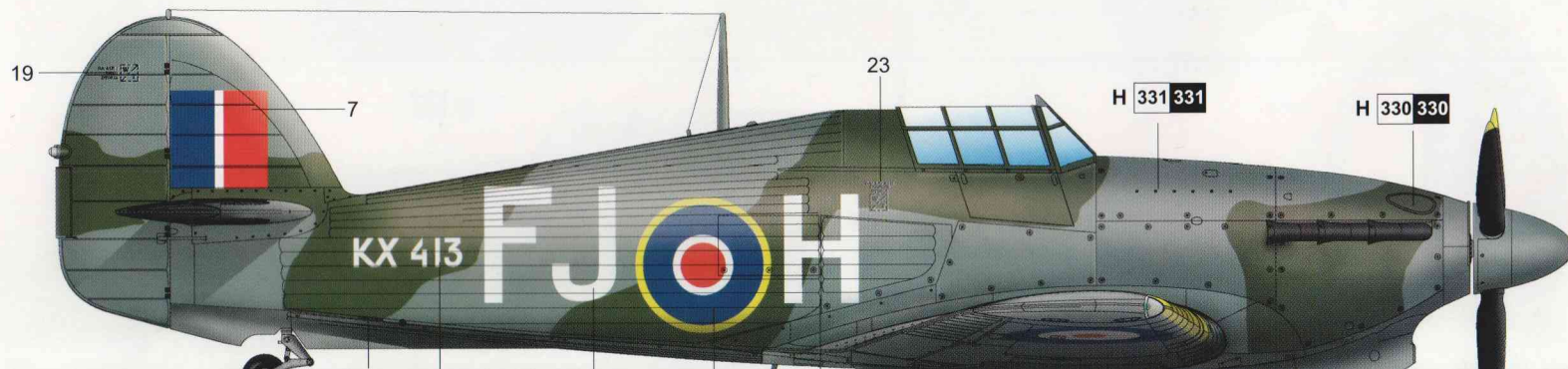
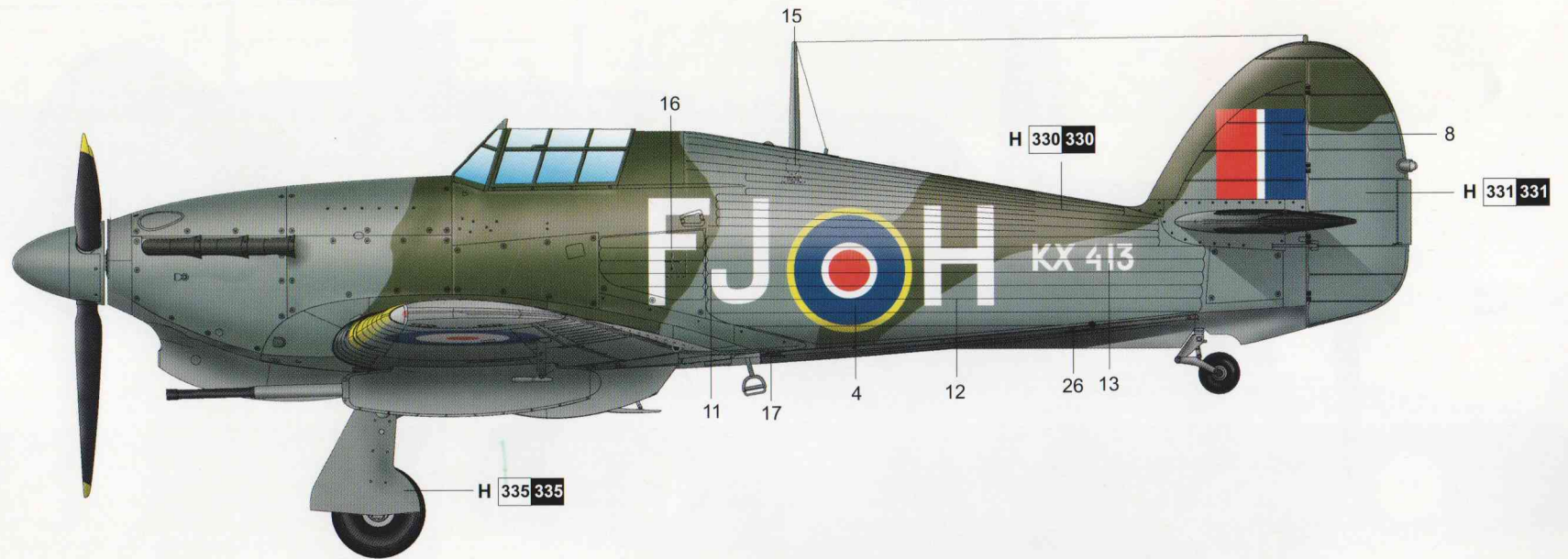
F8

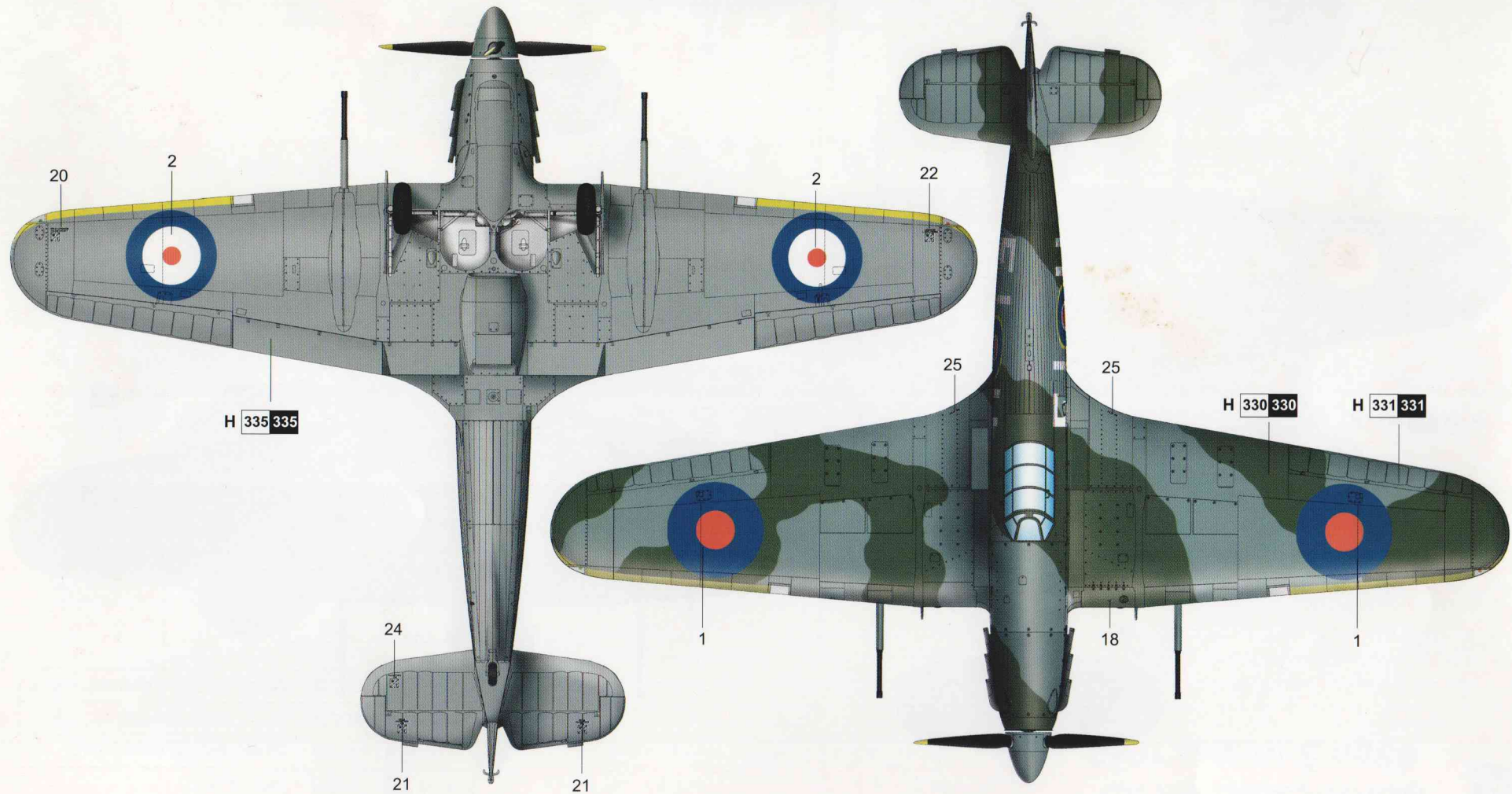
F9

制作两组
make two



B HURRICANE Mk IID
164 Sqn 1943





H X GUNZE SANGYO AQVEOUS HOBBY COLOUR

X GUNZE SANGYO MR COLOUR

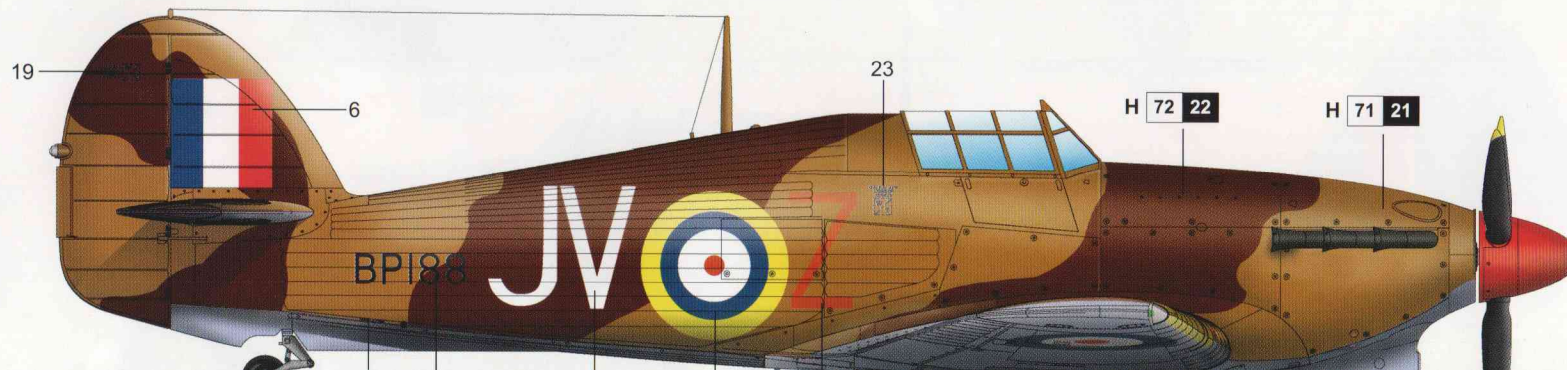
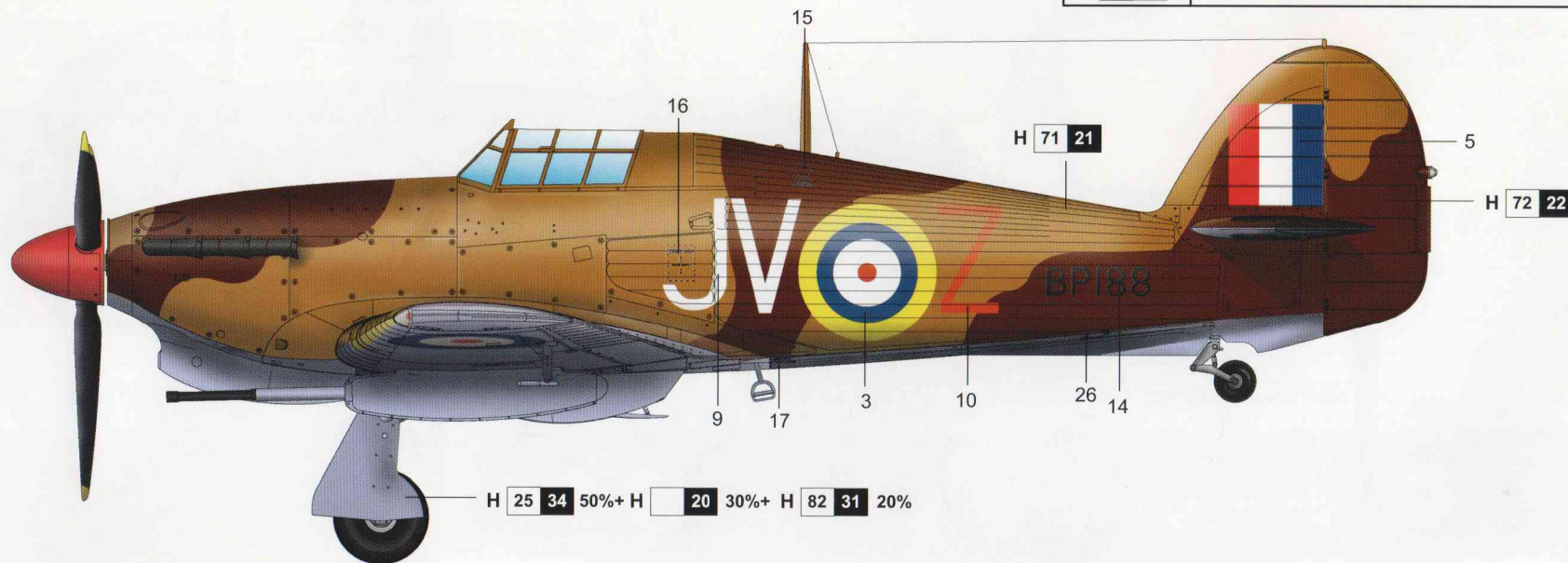
02417 1/24 "HURRICANE" Mk II D/TROP

涂装同标贴指示
Painting & Marking guide

使用郡仕公司涂料
GUNZE Sanyo Mr.Color used

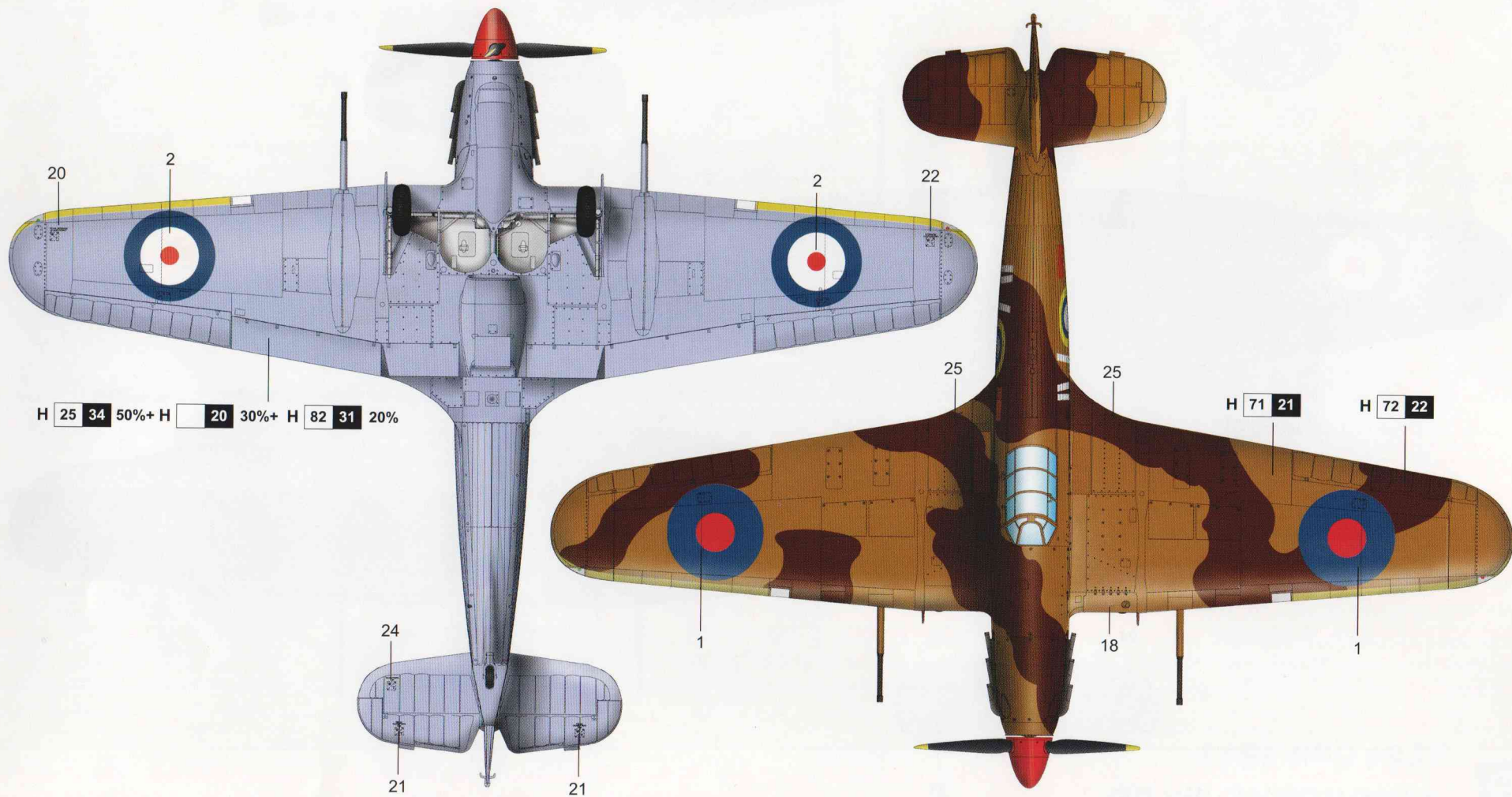
H	20	浅兰色	LIGHT BLUE
H	71 21	土黄色	MIDDLE STONE
H	72 22	深土色	OARK EARTH
H	82 31	浅海灰	DARK GRAY(1)
H	25 34	天蓝色	SKY BLUE
H	330 330	深绿色	DARK GREEN BS381C/641
H	331 331	深海灰	DARK SEAGRAYBS381C/638
H	335 335	中灰色	MEDIUMSEAGRAYBS381C/637

A *HURRICANE Mk IID*
6Sqn Summer 1942



14 9 3 10

H 25 34 50%+ H 20 30%+ H 82 31 20%



H 25 34 50%+ H 20 30%+ H 82 31 20%

H 71 21 H 72 22

02417 1/24 "HURRICANE" Mk.II D/TROP