

# Soviet IT-1 Missile tank

苏联IT-1导弹坦克歼击车

## READ BEFORE ASSEMBLY:

- Study and understand these instructions thoroughly before beginning assembly
- When needed, remove photo-etch parts carefully using a modeling knife or photo etch sprue cutter, being careful not to damage or lose small parts.
- Take extra care in handling photo etch parts in order to avoid injury
- Apply instant cement sparingly to photo etch parts where instructed
- Tools recommended(not included in kit):Plastic and instant cements, sprue cutters,long nose pliers,modeling knife, small files, tweezers, pin vise & scissors. Soft cloth and sandpaper will also assist in construction
- Glue and paint are not included in the kit. Use plastic cement and hobby paints only. Color guide for purchasing paint is included in the kit.

## 装配之前仔细阅读

- 小心用模型锉刀锉平所有零件表面的注射浇口。
- 小心用刀片切下蚀刻片零件，不要遗失小零件。
- 用强力快干胶水粘合蚀刻片零件和金属轴。过量快干胶水使用可能导致可动零件会粘住，小心涂胶。
- 取蚀刻片时应特别注意安全，防止利边划伤手指。
- 某些零件表面需贴水上贴纸，请选择在装配的同时进行。
- 推荐模型工具(自备)：胶水，水口剪刀，长咀钳，刀片，锉刀，镊子，钳，钻，剪刀，瞬间快干胶。
- 软布同砂纸同时也应该是必备工具。
- 请使用塑料胶水和油漆，模型内不含。



配重  
Weight



使用强力胶  
Cyanoacrylate glue



钻孔  
Make hole



切除  
Cut / Remove



贴纸  
Decal



锉平  
File / Sand



选择  
Option



不涂胶水  
No cement



弯曲  
Bend

## 水贴纸的使用:

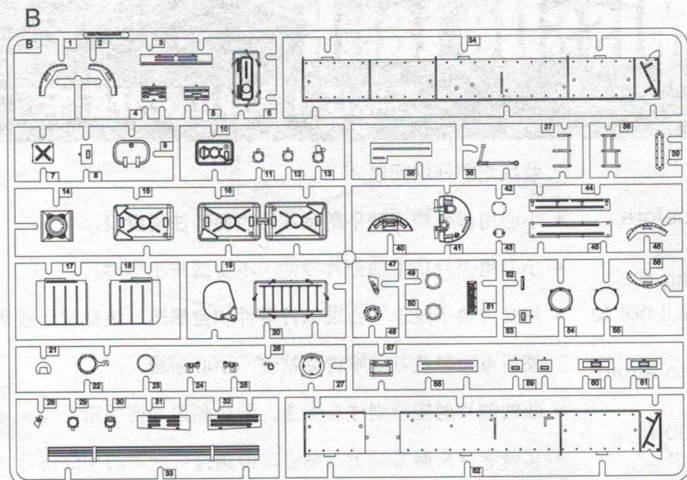
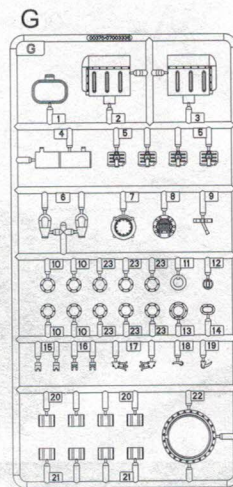
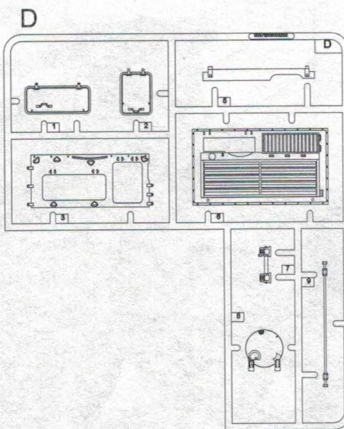
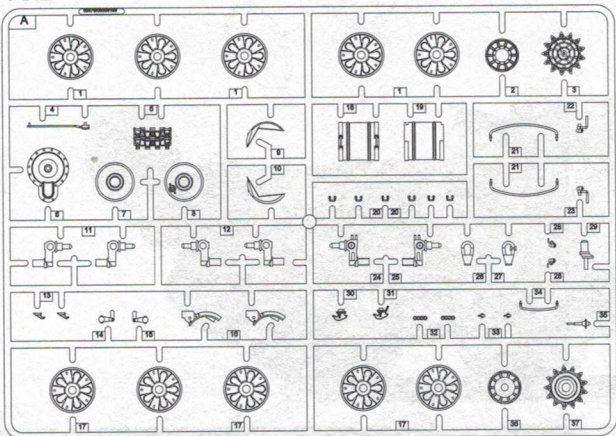
- 1.从水贴纸上剪下印花;
- 2.将印花放入温水中浸10秒, 然后放在干净布上。
- 3.拿着印花纸板将印花移到模型上;
- 4.手指蘸水将印花移到适当的位置;
- 5.用软布轻压印花直至水干, 气泡消失

## DECAL APPLICATION

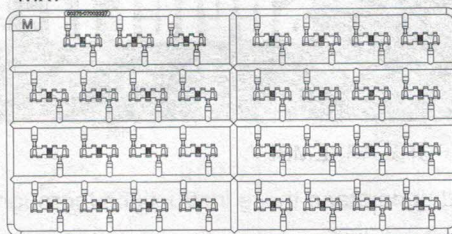
- 1.Cut decals from sheet as needed
- 2.Dip the decal in warm water for about 10 seconds and then place on soft clean cloth.
- 3.Hold the decal backing sheet edge and gently slide the decal onto the model in its proper position.
- 4.While still wet,decal can be adjusted for better fit on model by dampening it gently with your finger.
- 5.When placed in the proper position,gently press decal down with a soft cloth until excess water and air bubbles are gone.
- 6.Allow decal to dry completely before handling model

# 部品图 Parts

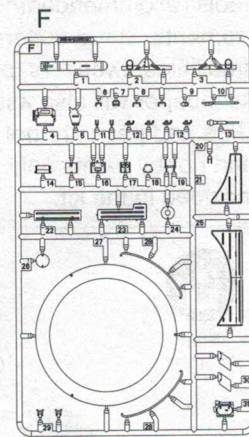
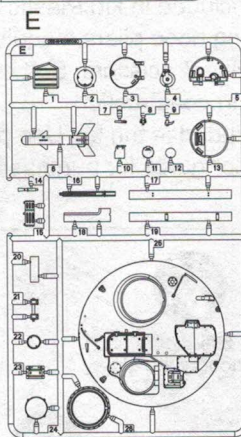
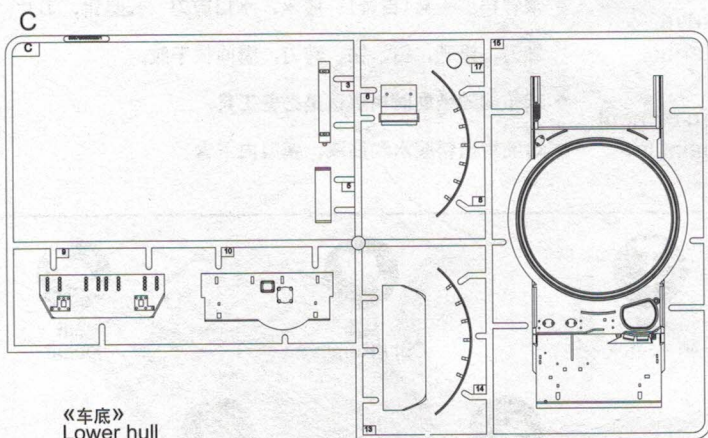
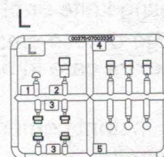
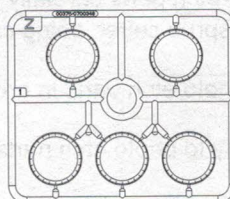
Ax2



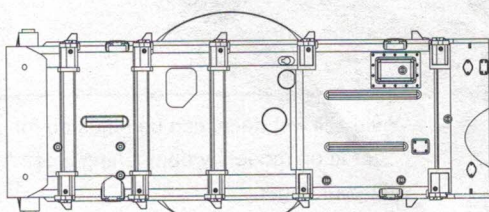
Mx7



Zx4

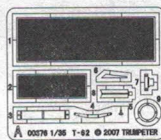


«车底»  
Lower hull



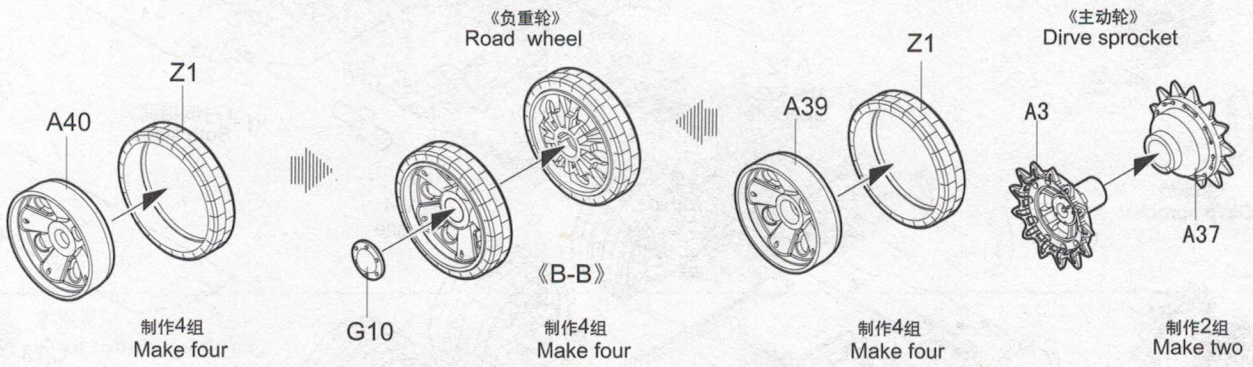
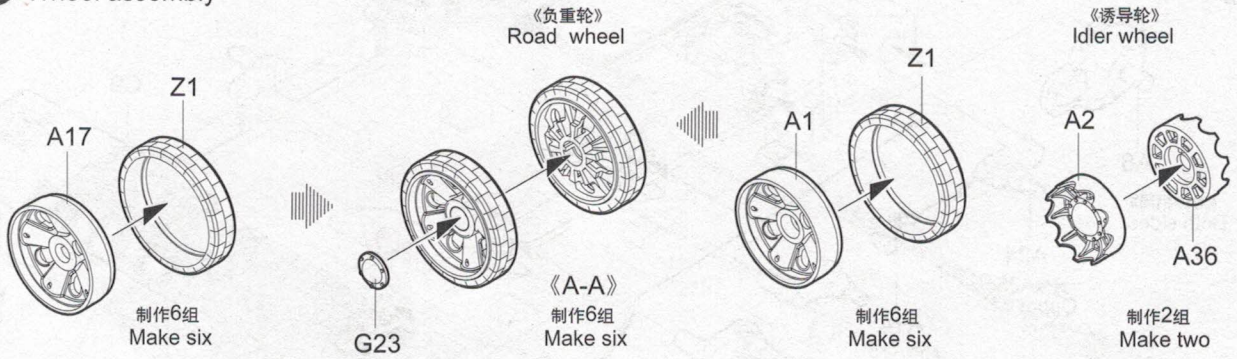
«蚀刻片»

Photo Etched part(PE)

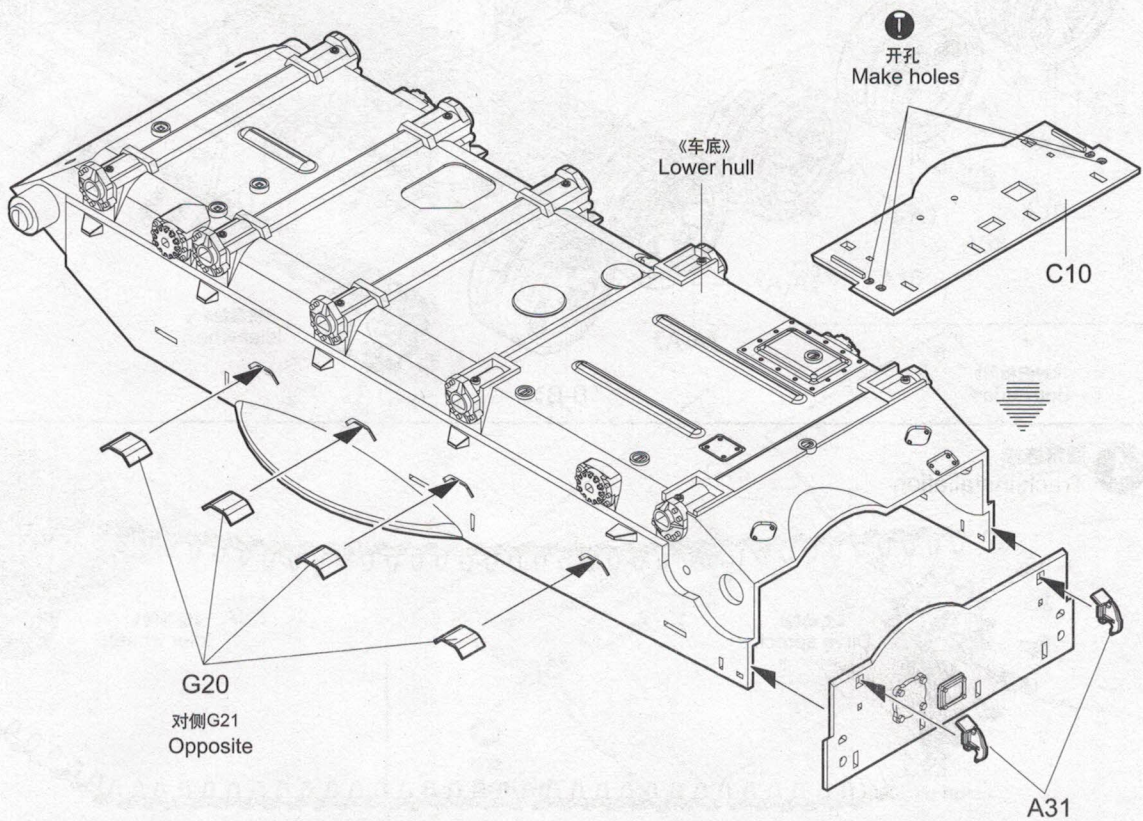


不用部品: A5.A13.A20.A21.A26.A27.A34.A35.B1.B2.B7.B8.B9.B11.B12.B13.B21.B22.B23.B27.B28.B29.B30.  
Unused parts: B35.B36.B40.B41.B42.B47.B51.B53.B54.B55.B57.B58.C3.C5.C7.C17.D7.D8.G1.G5.G6.G7.G8.G9.  
G11.G12.G13.G14.G17.G18.G19.G22.L1.L5

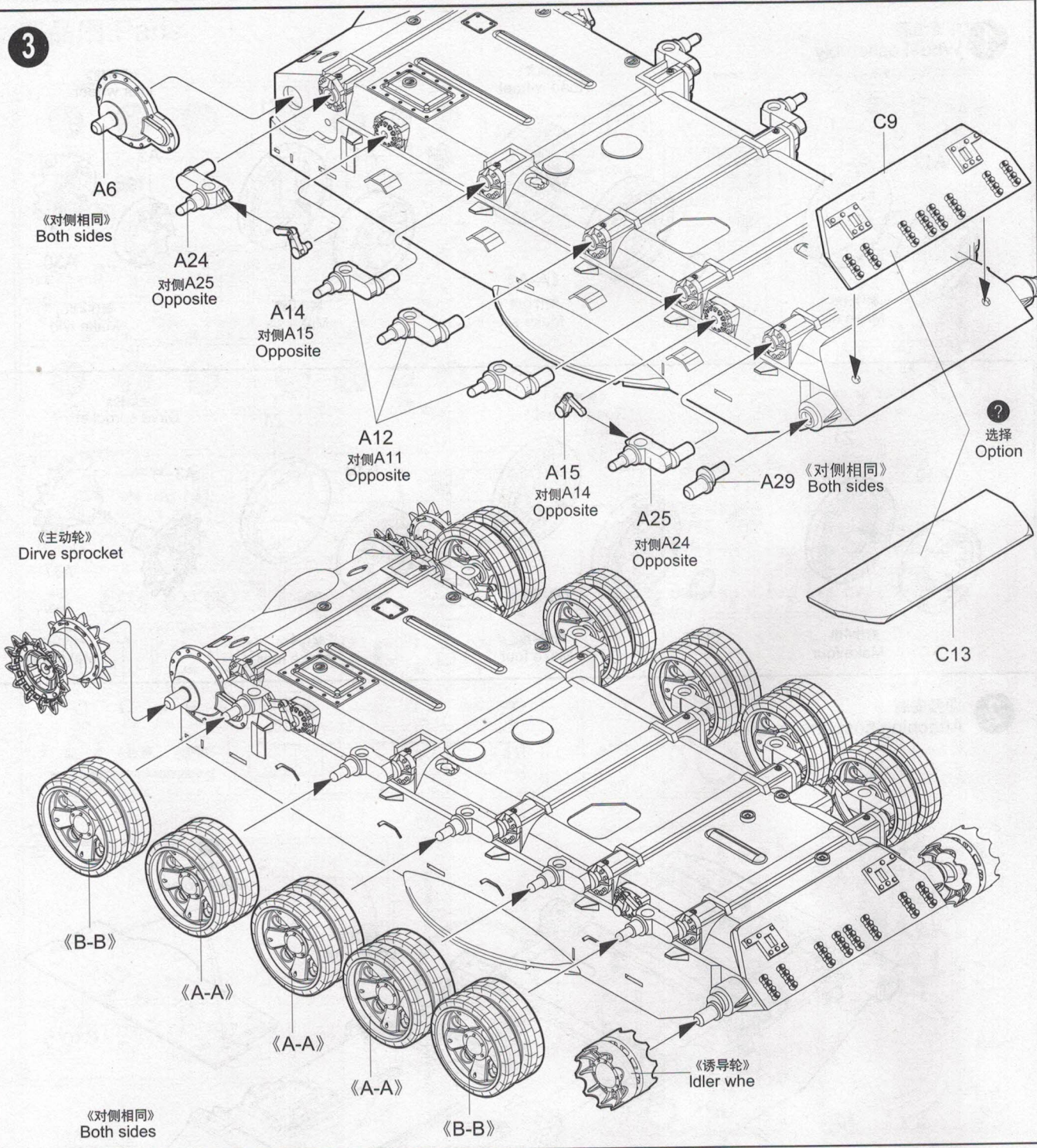
**1** 车轮组装  
Wheel assembly



**2** 悬挂安装  
Attaching suspension arms

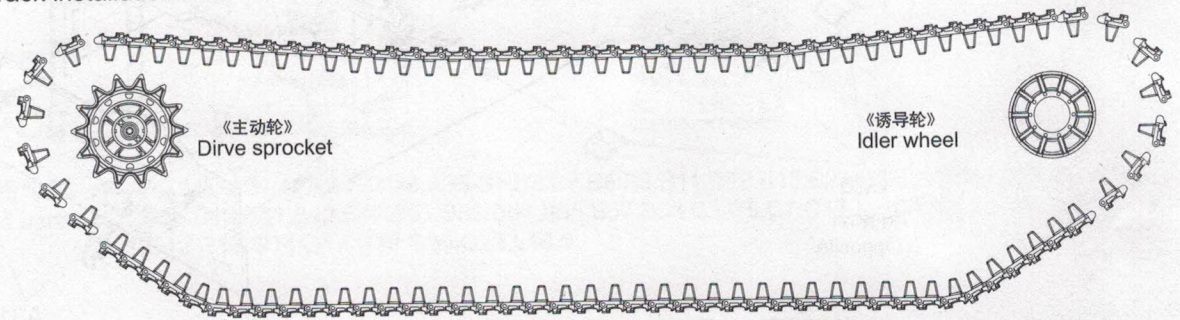


3

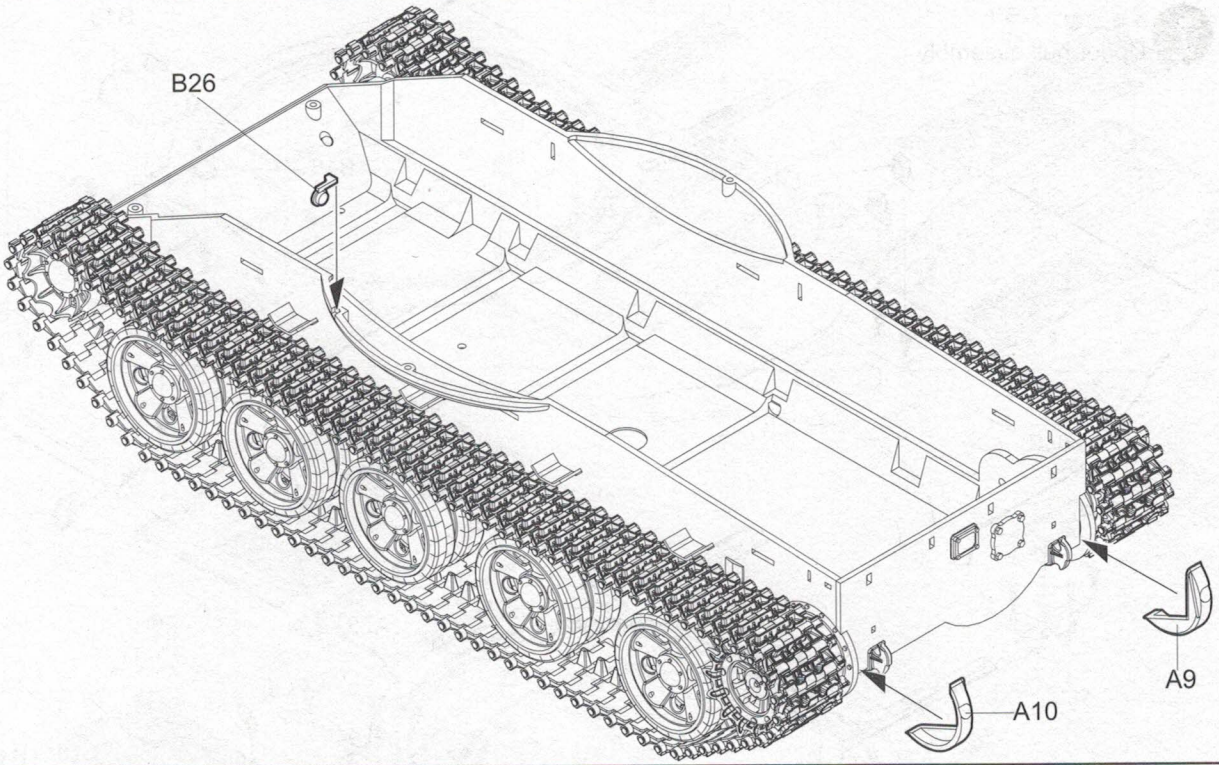


4

履带连接  
Track installation

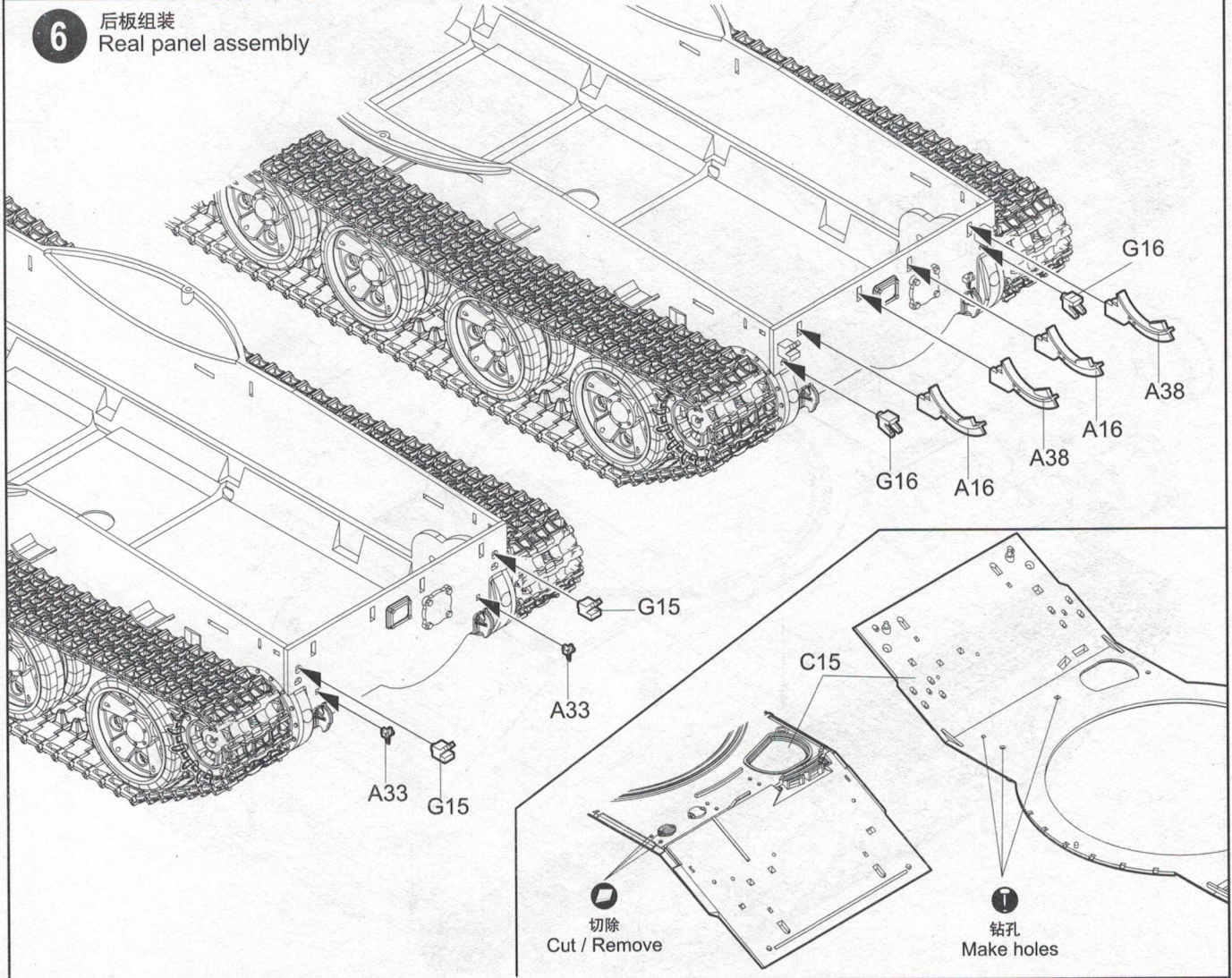


5

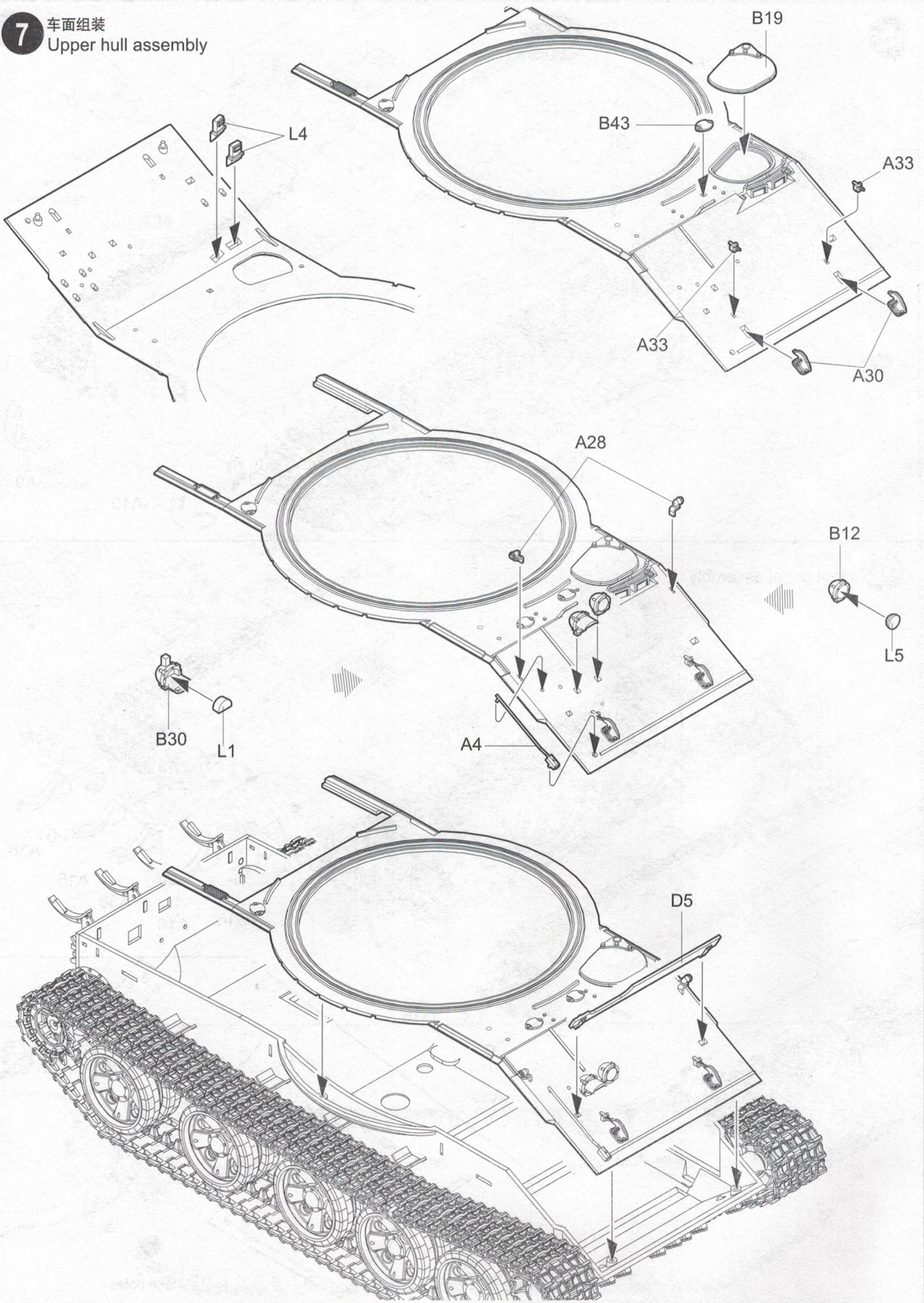


6

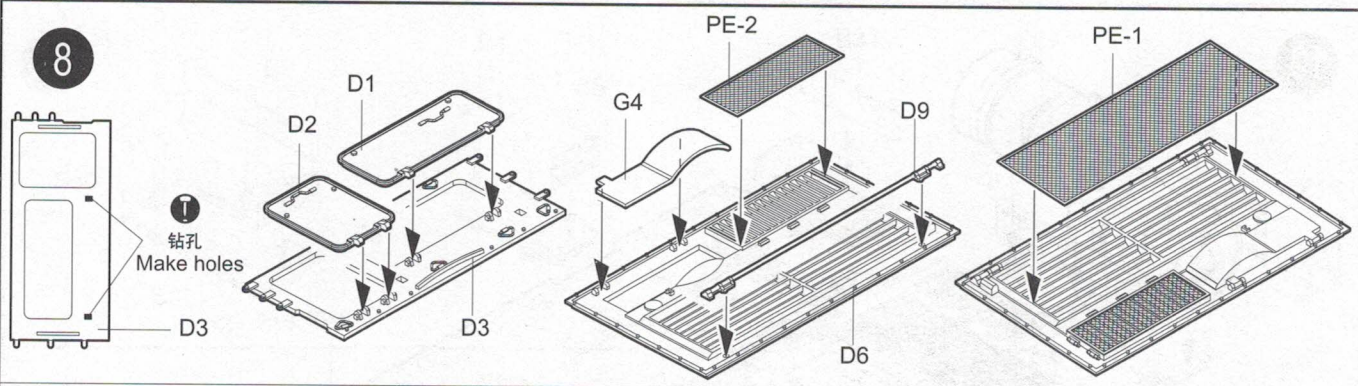
后板组装  
Real panel assembly



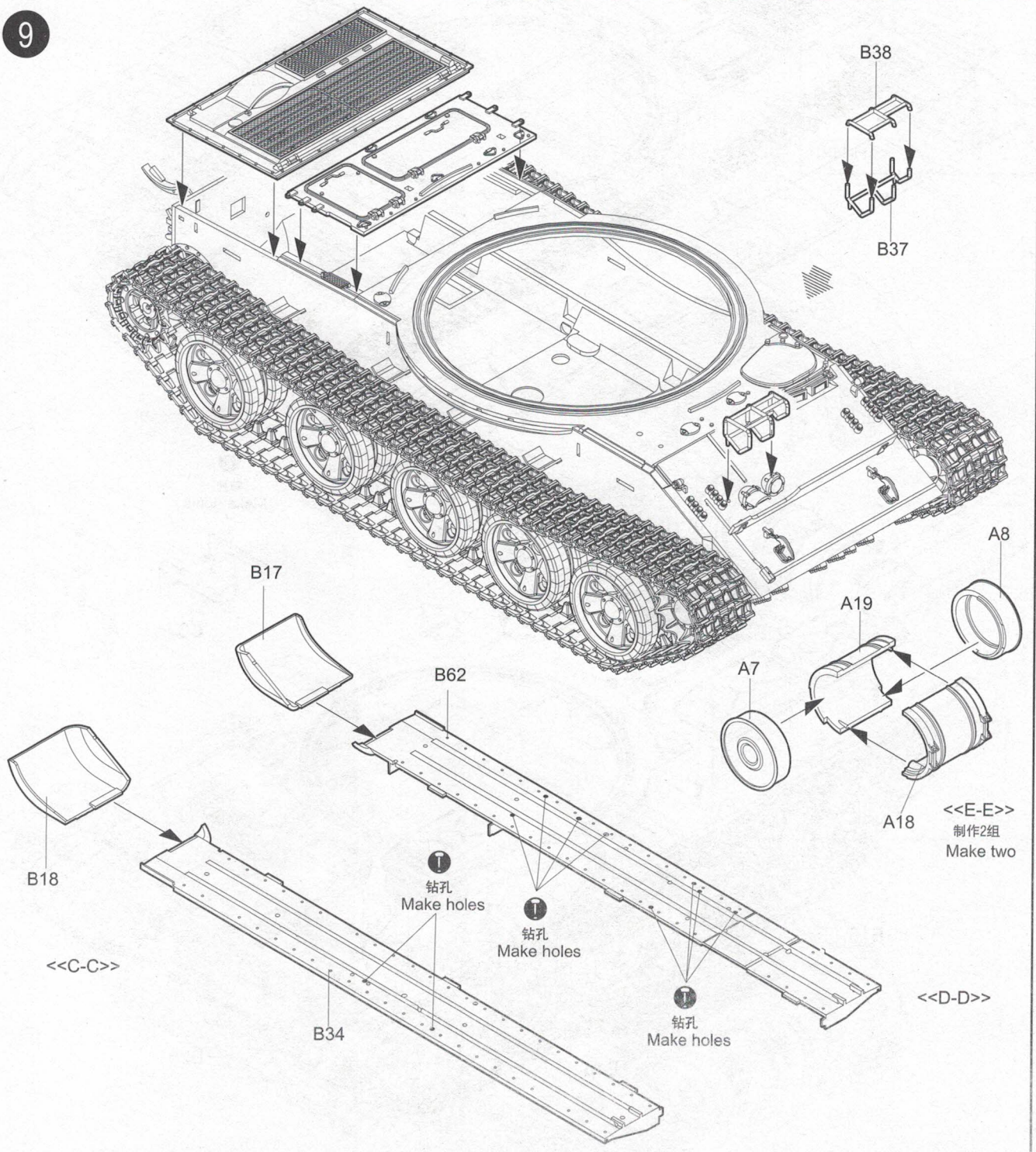
**7** 车面组装  
Upper hull assembly



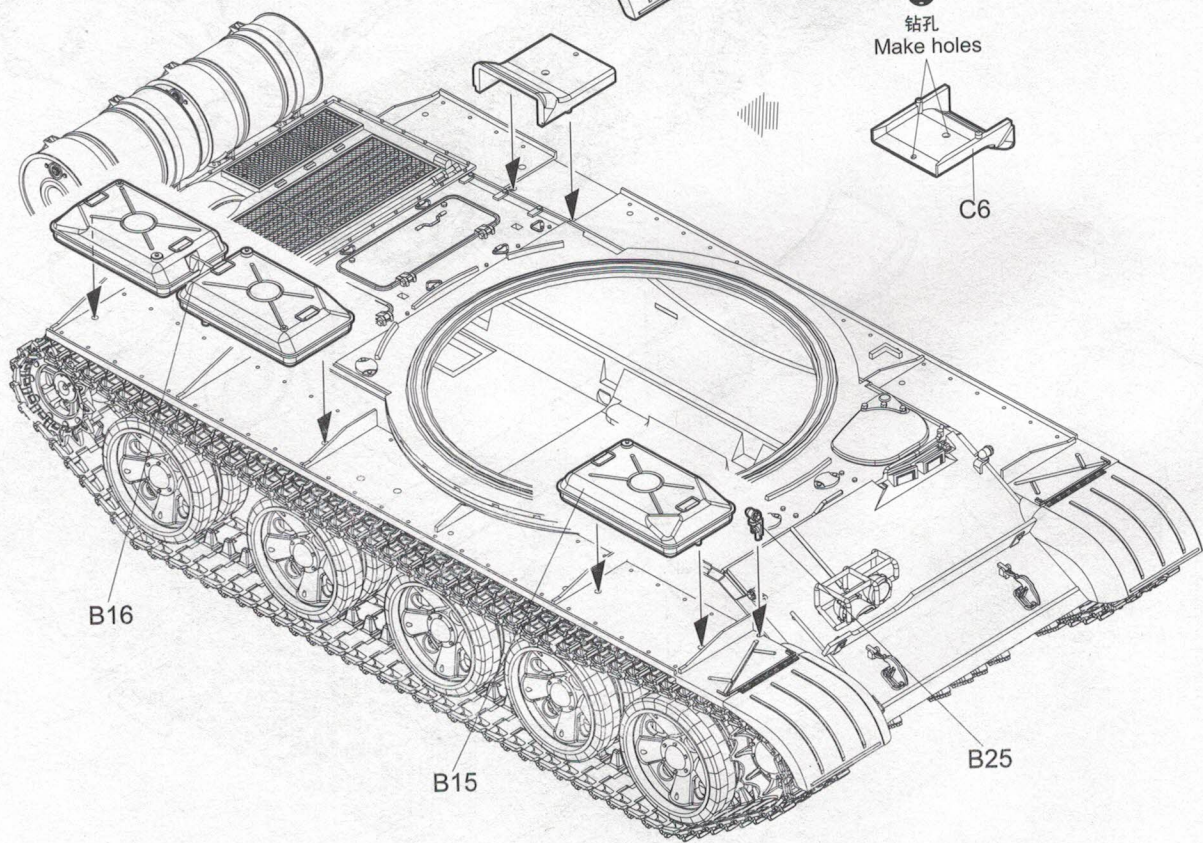
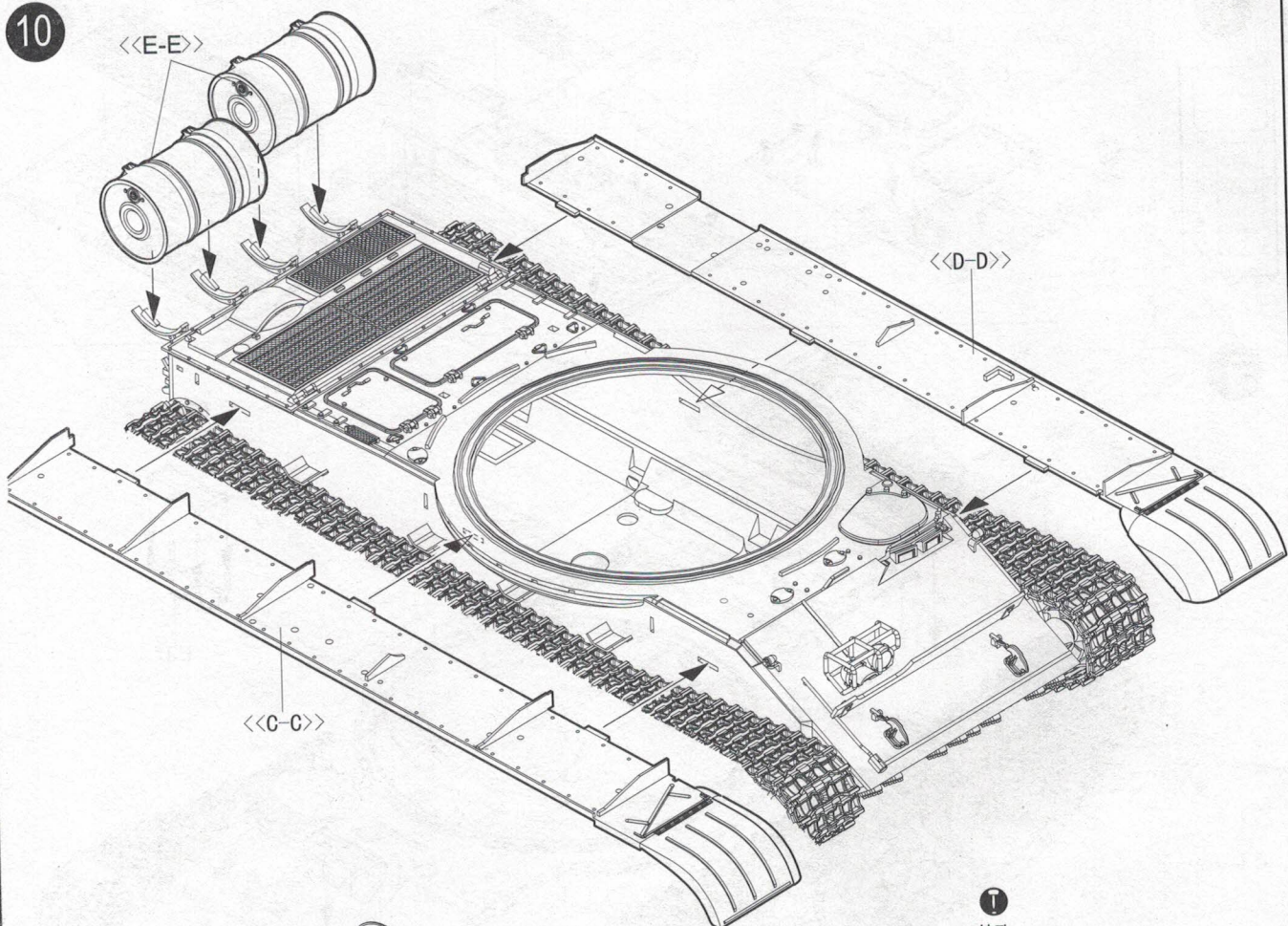
8



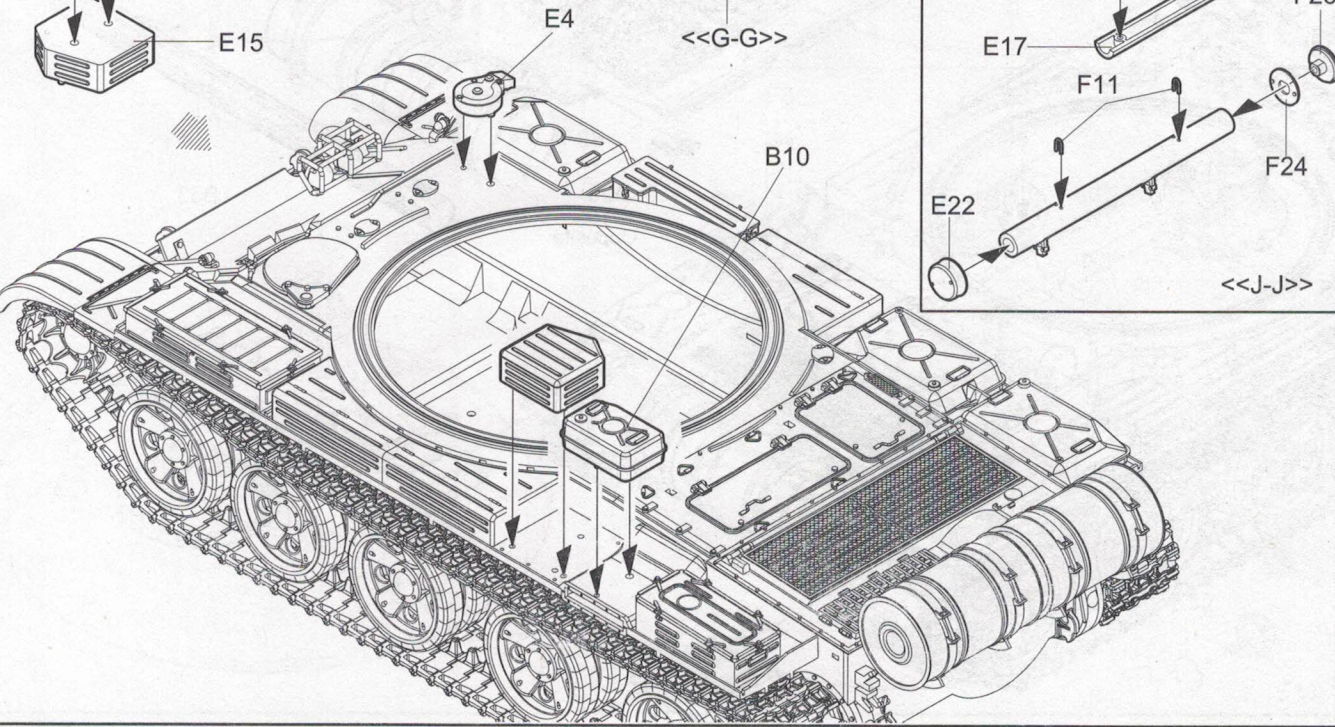
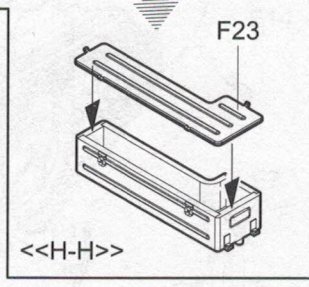
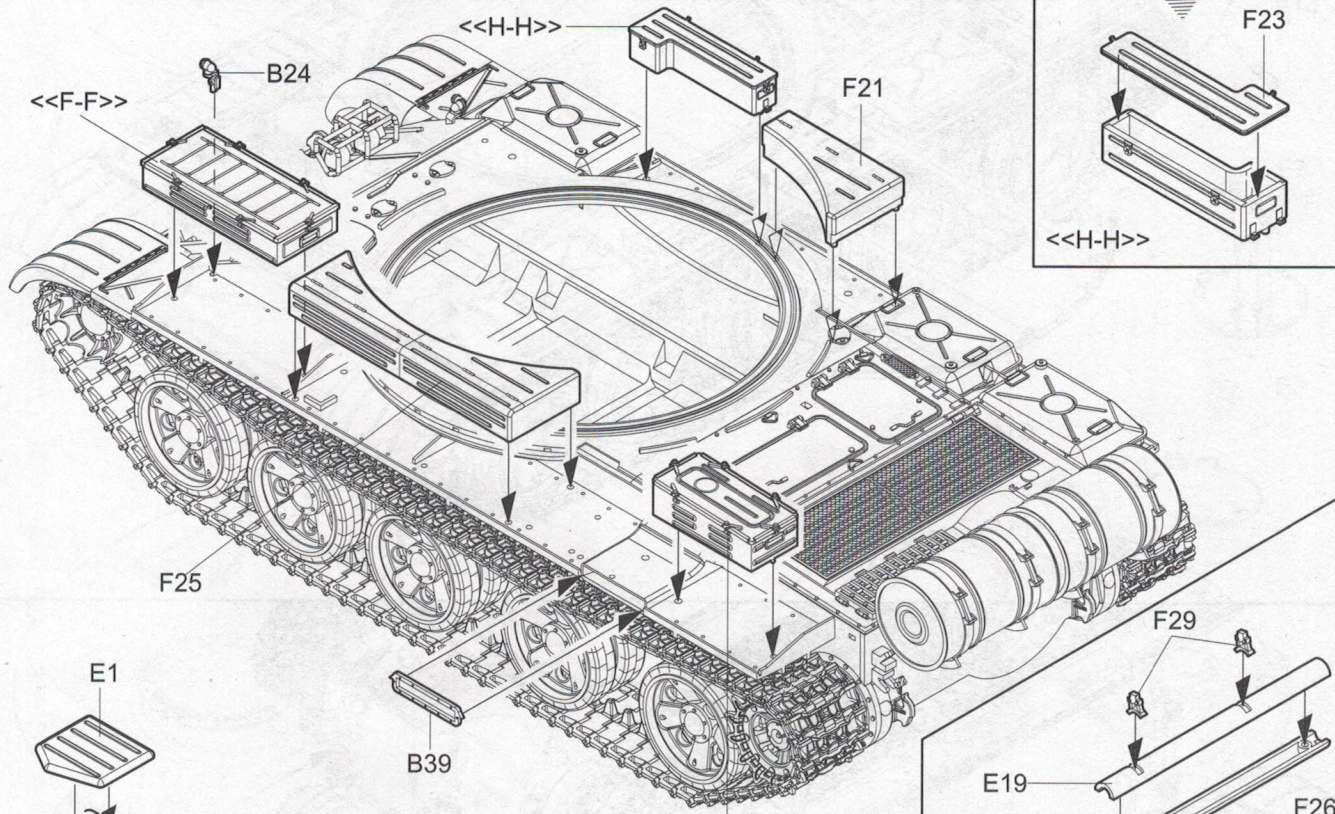
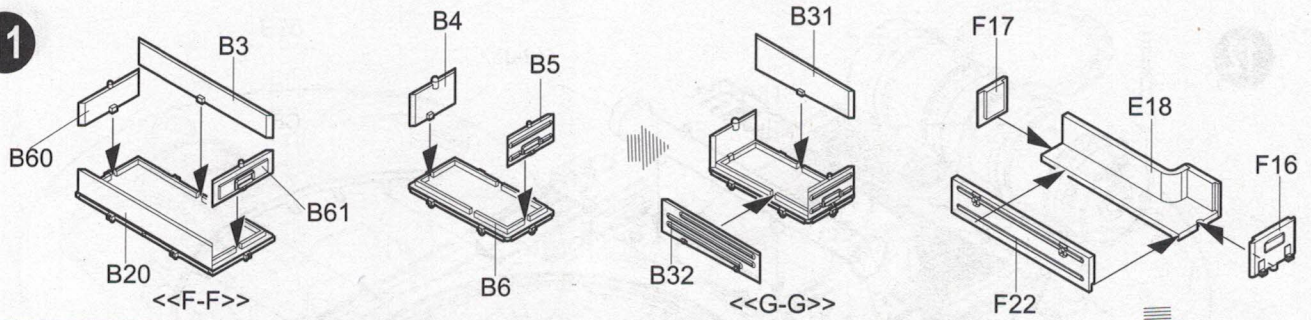
9



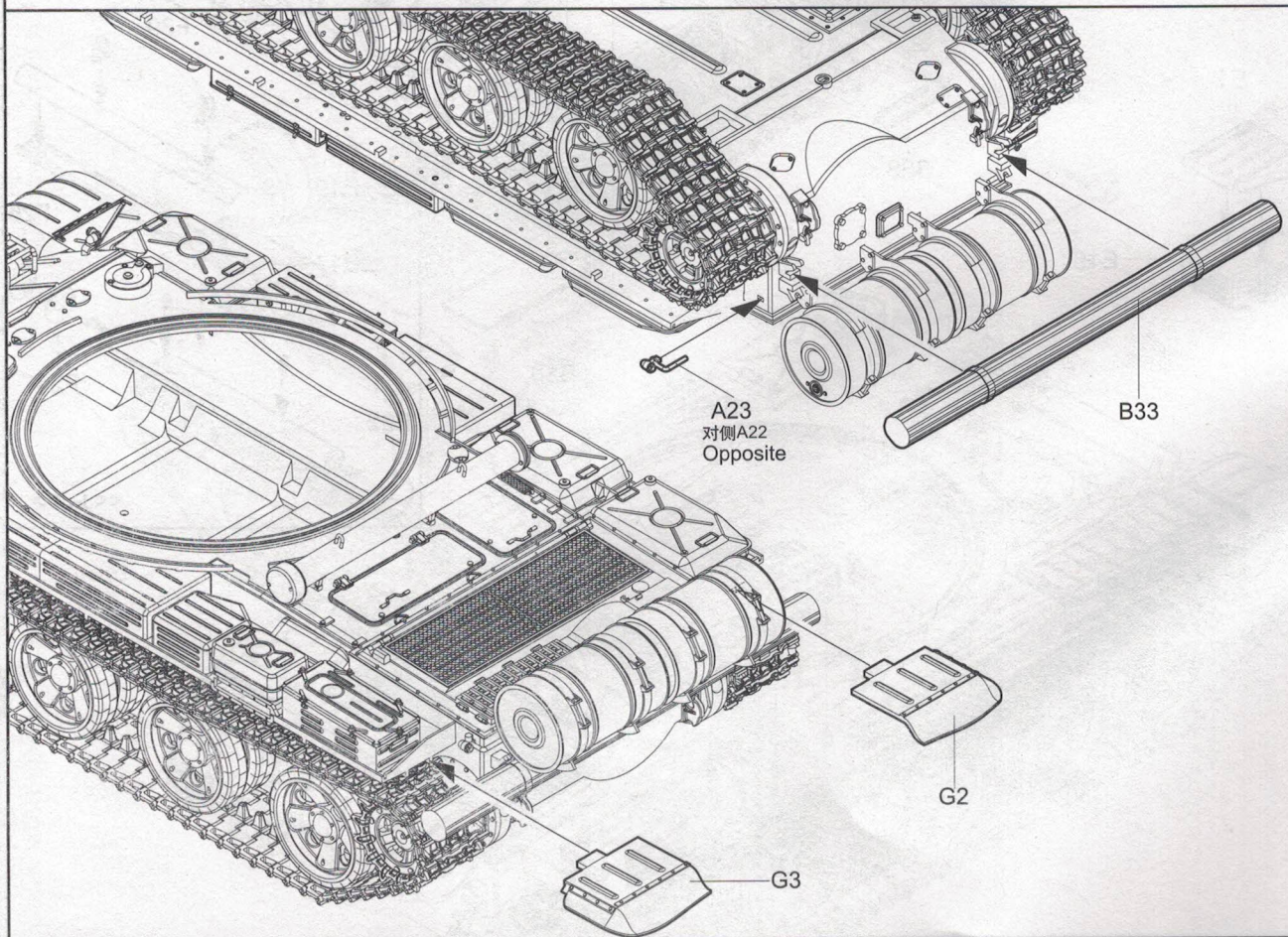
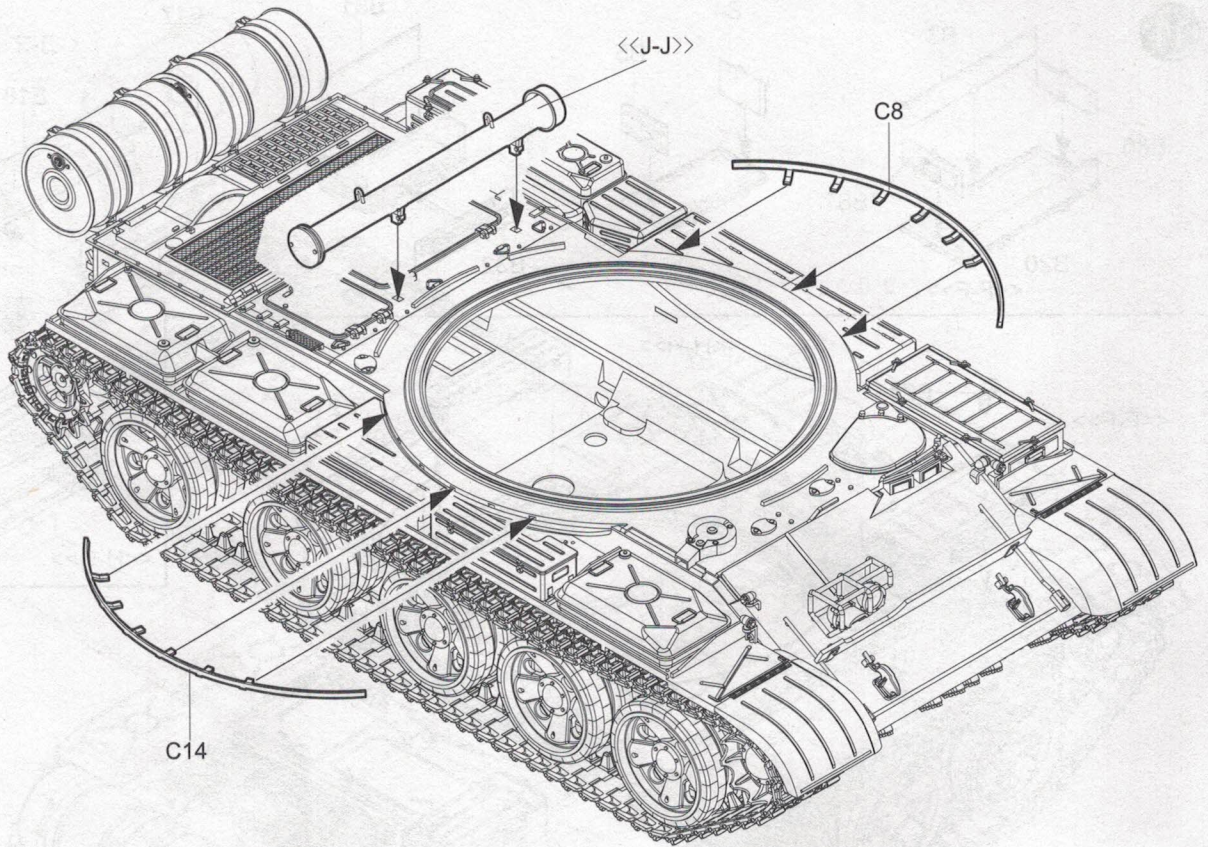
10



11



12



05541

10

13

E25

E26

F31

F13

E14

E10

F12

E7

F6

E3

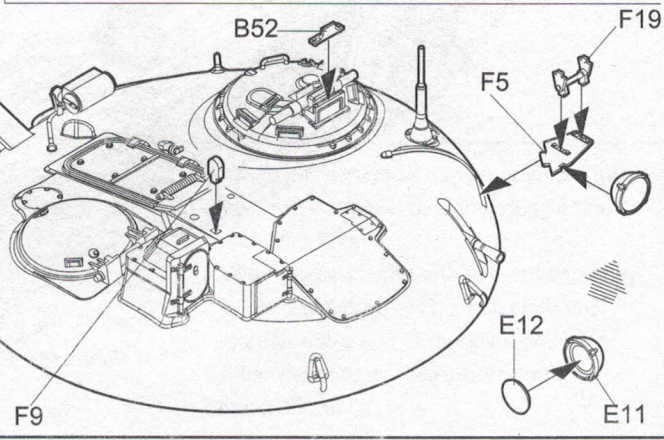
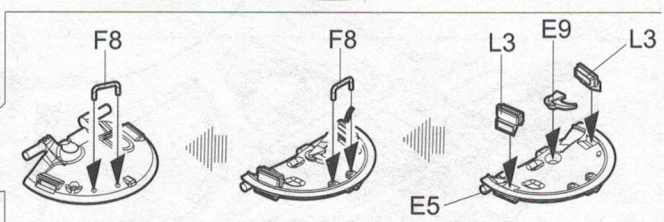
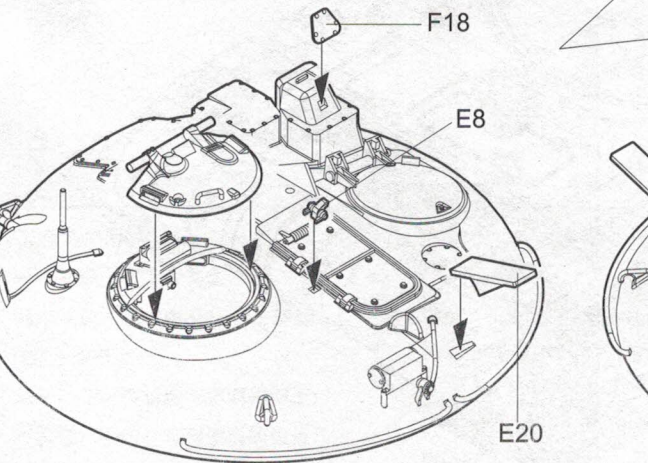
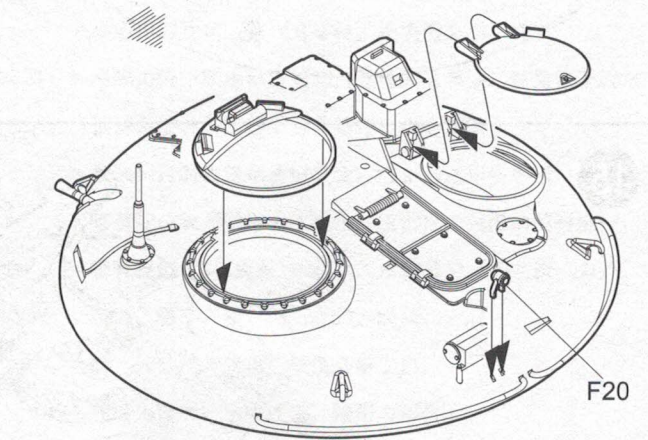
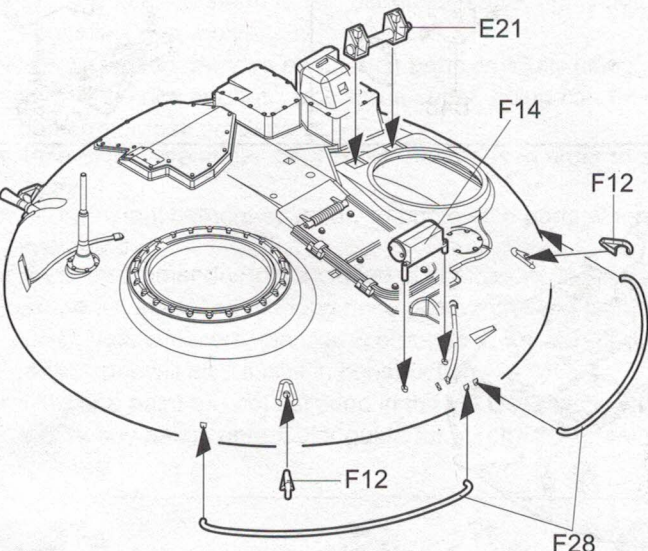
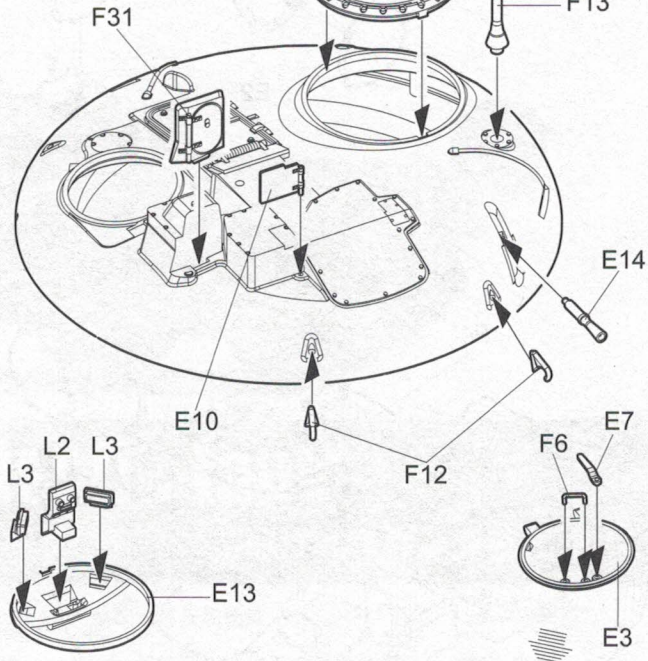
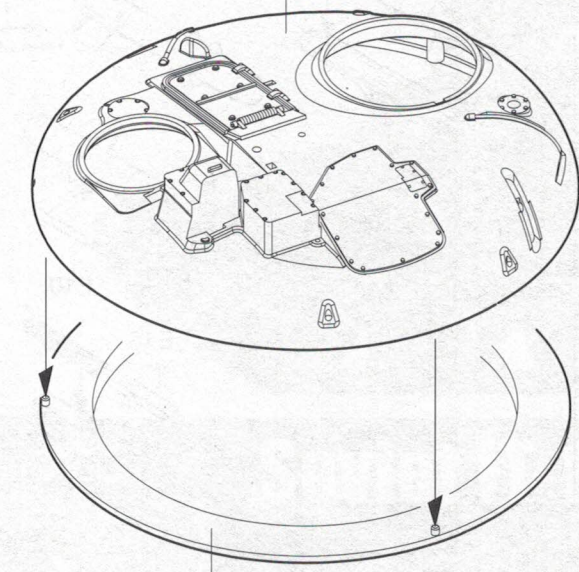
L3

L2

L3

E13

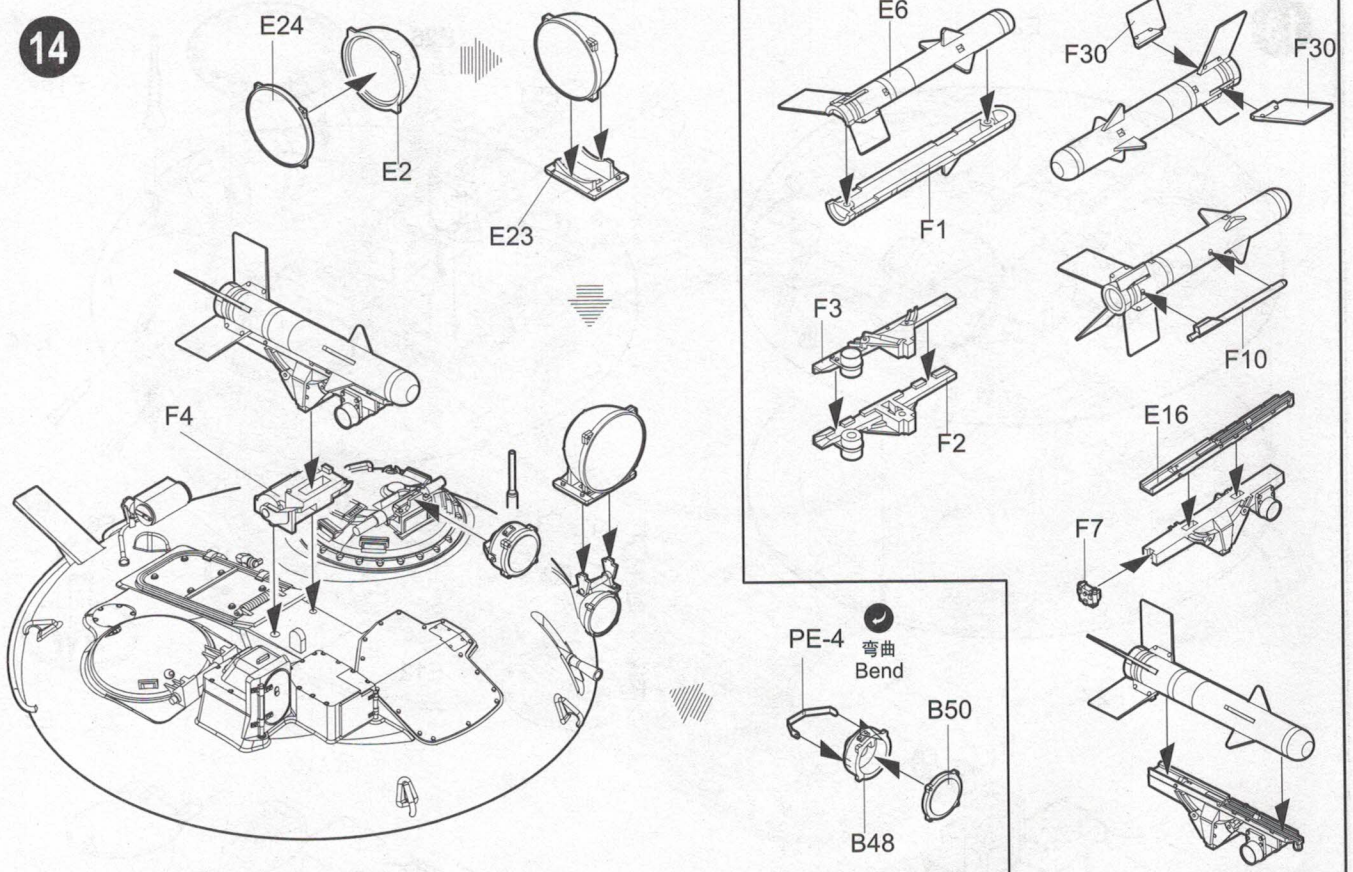
F27



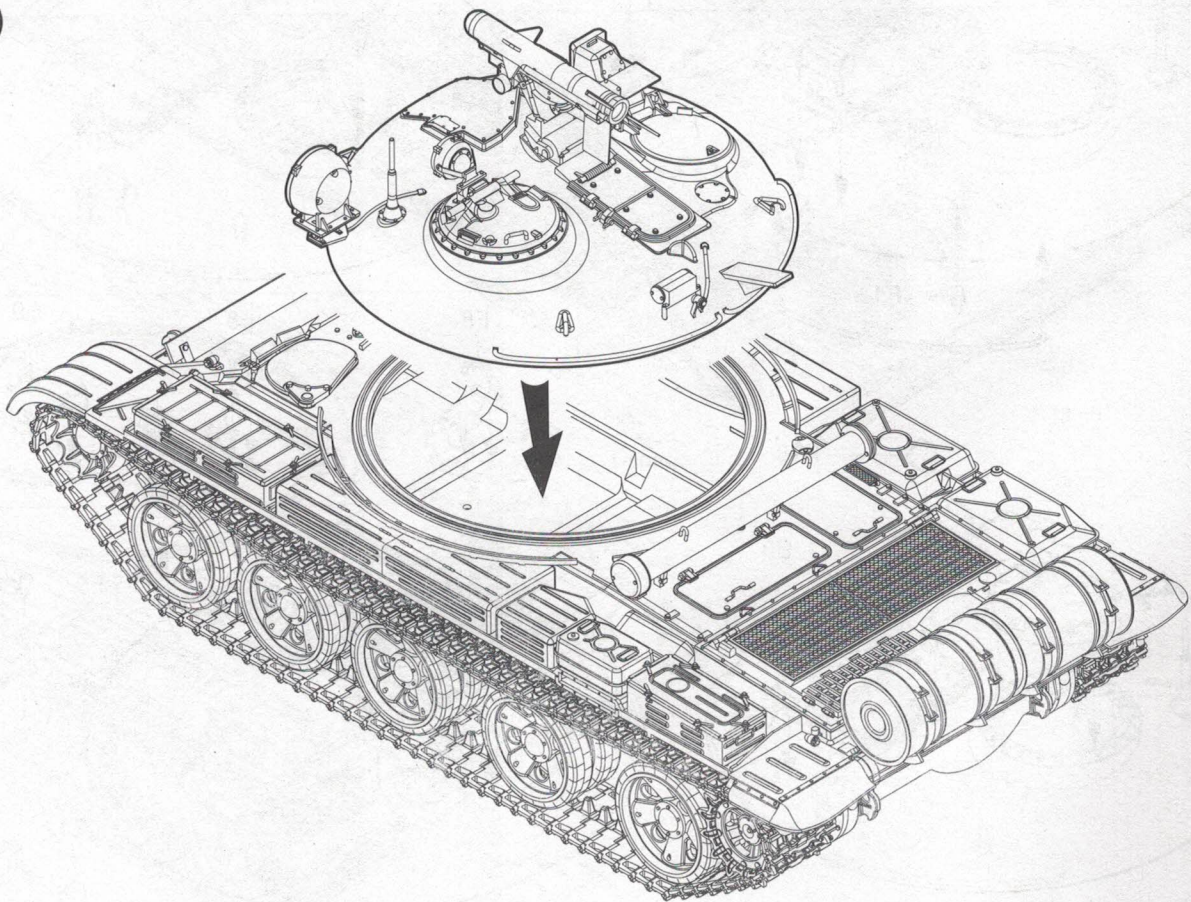
05541

11

14



15

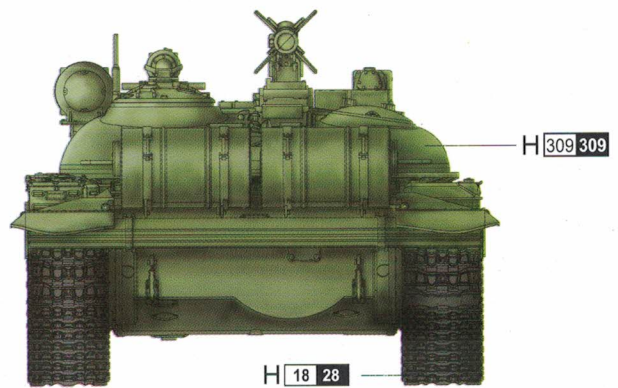
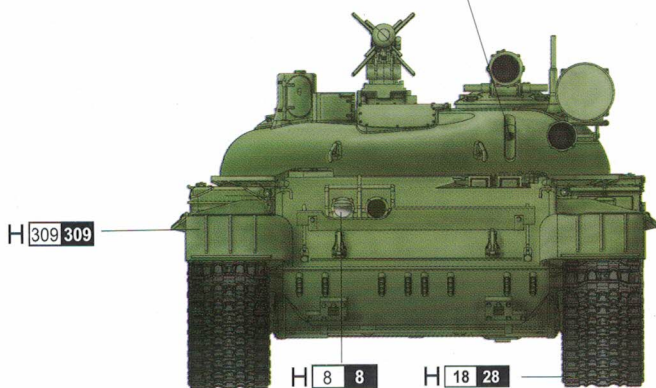
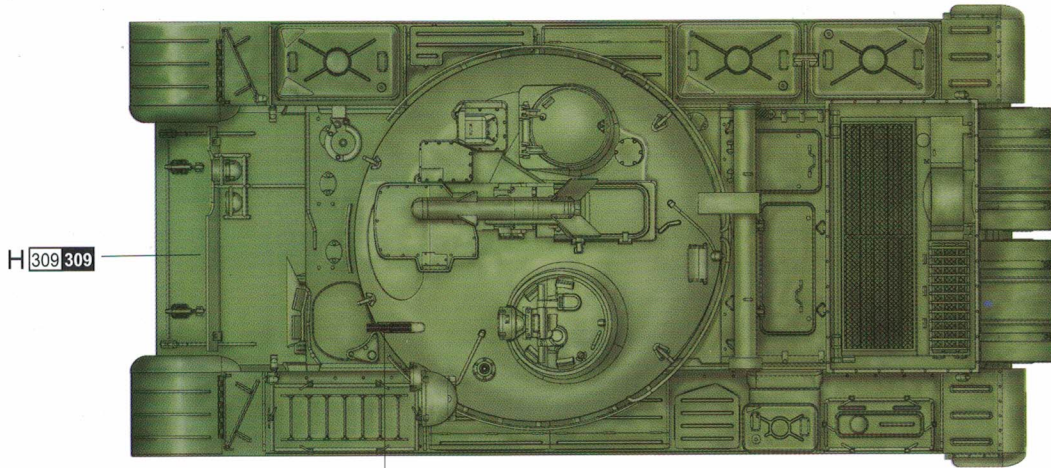
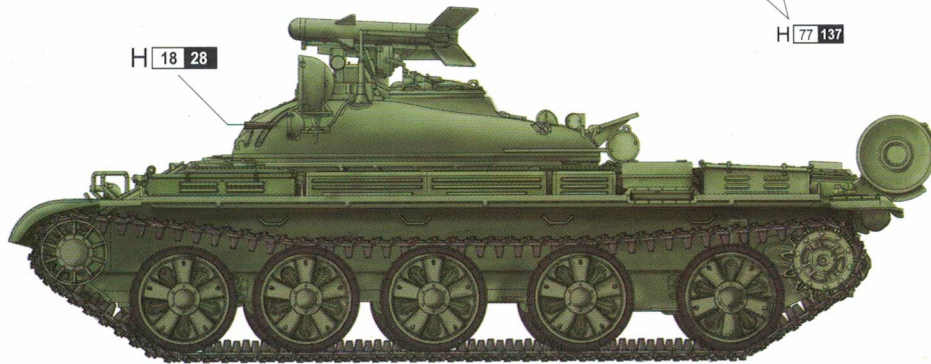
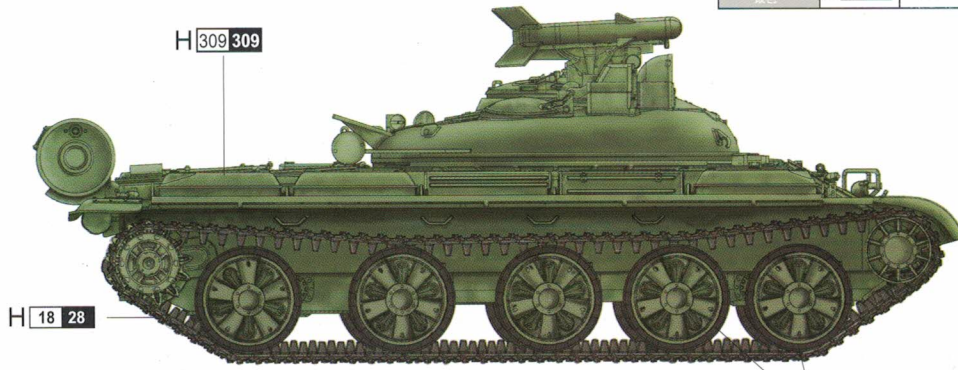


# 涂装同标贴指示

## Painting & Marking guide

### PAINT REFERENCE COLOUR

Color	Mr.Hobby	Vallejo	Model Master	Tamiya	Humbrol
Tire Black 胎黑色	H 77 137	—	—	—	—
Forest Green 绿色	H 309 309	893	1710	XF58	116
Steel(Metal Black) 黑铁色	H 18 28	864	1402	—	—
Silver 银色	H 8 8	997	1546	X11	11



H  AQUEOUS HOBBY COLOR    ■ Mr. COLOR