

1/32 SCALE

Junkers Ju 87B-2 Stuka

德国Ju 87B-2俯冲轰炸机

READ BEFORE ASSEMBLY:

- Study and understand these instructions thoroughly before beginning assembly
- When needed, remove photo-etch parts carefully using a modeling knife or photo etch sprue cutter, being careful not to damage or lose small parts.
- Take extra care in handling photo etch parts in order to avoid injury
- Apply instant cement sparingly to photo etch parts where instructed

- Tools recommended(not included in kit):Plastic and instant cements,sprue cutters,long nose pliers,modeling knife, small files, tweezers, pin vise & scissors. Soft cloth and sandpaper will also assist in construction
- Glue and paint are not included in the kit. Use plastic cement and hobby paints only. Color guide for purchasing paint is included in the kit.

装配之前仔细阅读

- 小心用模型锉刀锉平所有零件表面的注射浇口。
- 小心用刀片切下蚀刻片零件，不要遗失小零件。
- 用强力快干胶水粘合蚀刻片零件和金属轴。过量快干胶水使用可能导致可动零件会粘住，小心涂胶。
- 取蚀刻片时应特别注意安全，防止利边划伤手指。
- 某些零件表面需贴水上贴纸，请选择在装配的同时进行。
- 推荐模型工具(自备)：胶水，水口剪刀，长咀钳，刀片，锉刀，镊子，钳，钻，剪刀，瞬间快干胶。
- 软布同砂纸同时也应该是必备工具。
- 请使用塑料胶水和油漆，模型内不含。

水贴纸的使用:

1. 从水贴纸上剪下印花;
2. 将印花放入温水中浸10秒, 然后放在干净布上。
3. 拿着印花纸板将印花移到模型上;
4. 手指蘸水将印花移到适当的位置;
5. 用软布轻压印花直至水干, 气泡消失。

DECAL APPLICATION:

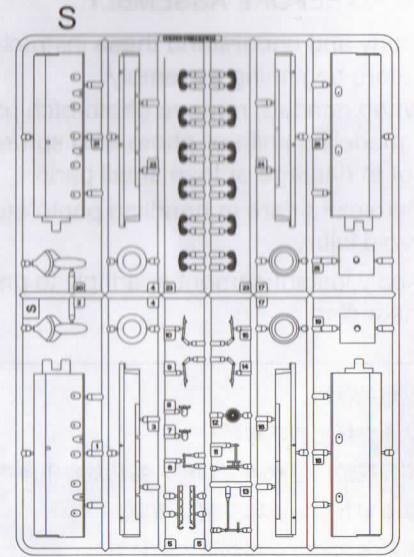
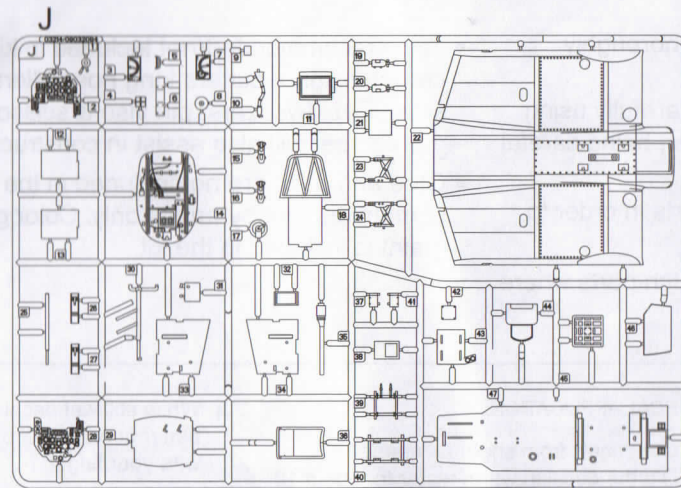
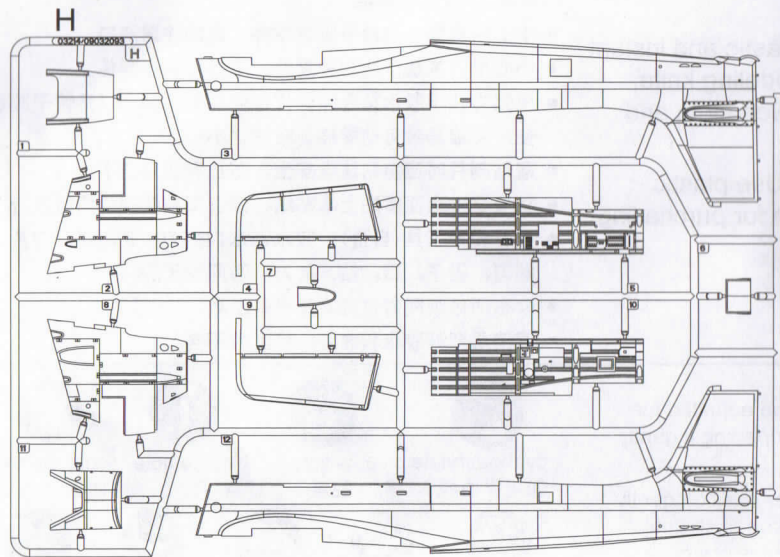
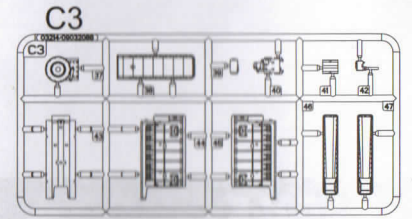
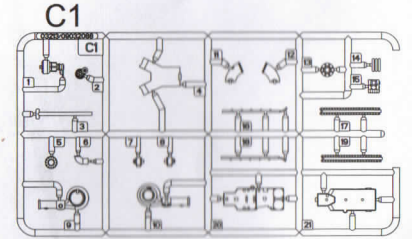
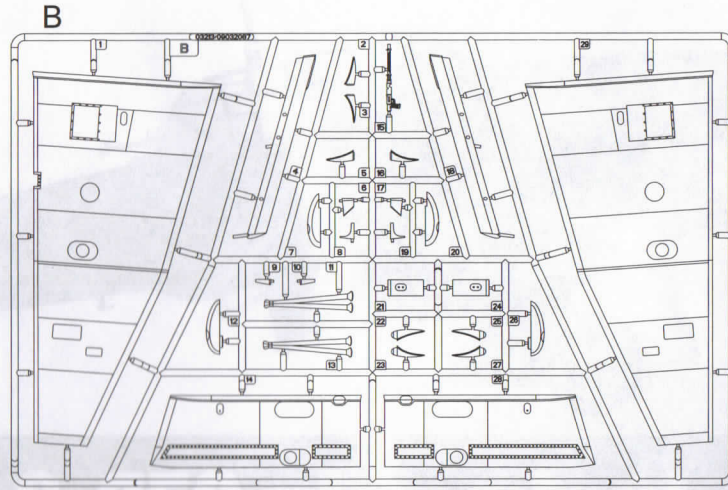
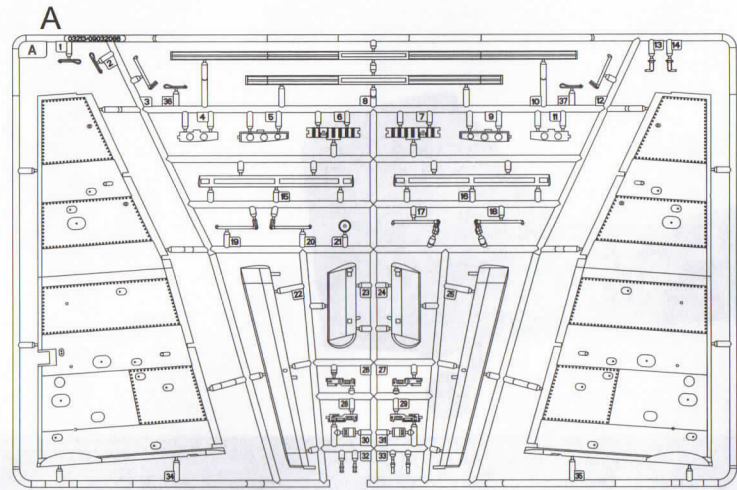
1. Cut decals from sheet as needed
2. Dip the decal in warm water for about 10 seconds and then place on soft clean cloth.
3. Hold the decal backing sheet edge and gently slide the decal onto the model in its proper position.

4. While still wet,decal can be adjusted for better fit on model by dampening it gently with your finger.
5. When placed in the proper position,gently press decal down with a soft cloth until excess water and air bubbles are gone.
6. Allow decal to dry completely before handling model

cyanoacrylate glue
使用强力胶weight
配重make hole
钻孔cut / remove
切除option
选择no cement
不涂胶水decal
贴纸bend
弯曲file / sand
锉平

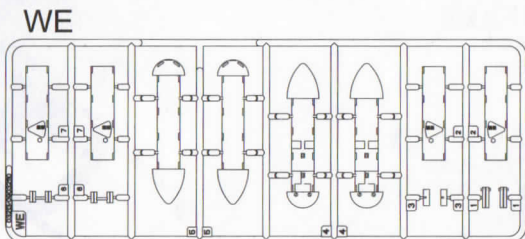
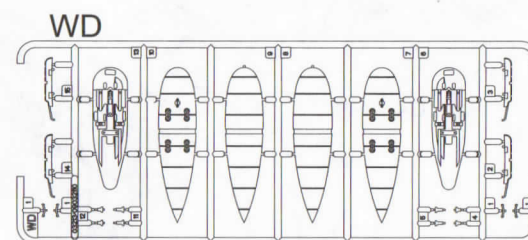
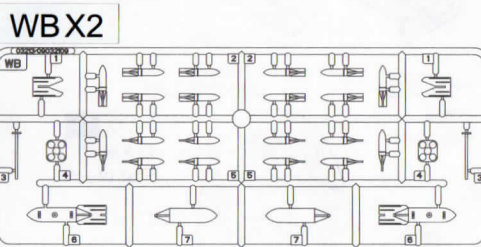
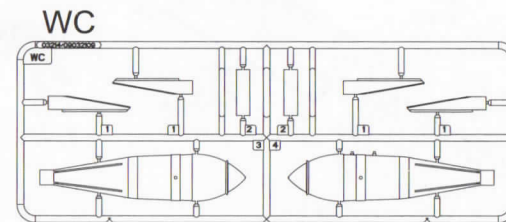
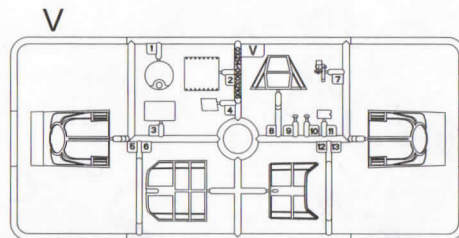
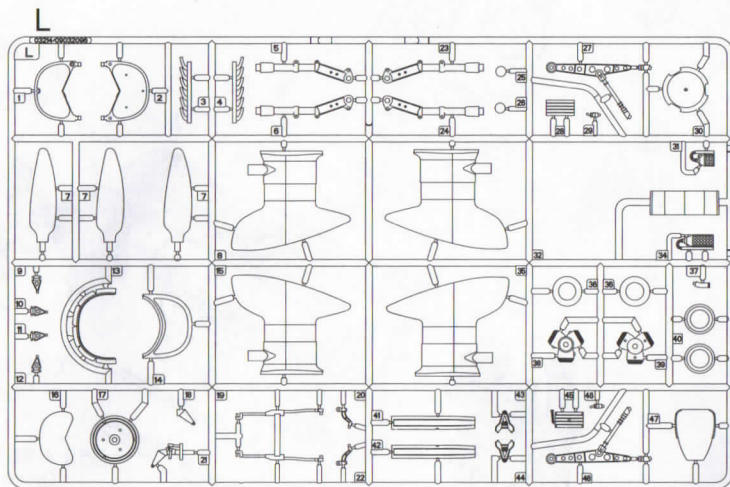
部品图

Parts

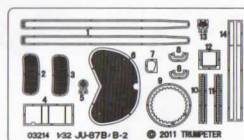


部品图

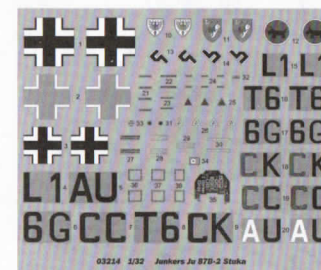
Parts



《蚀刻片》
Photo etched part (PE)



《水贴》
Decal



《主轮胎》 X2
Main tyre



《尾轮胎》
Tail tyre

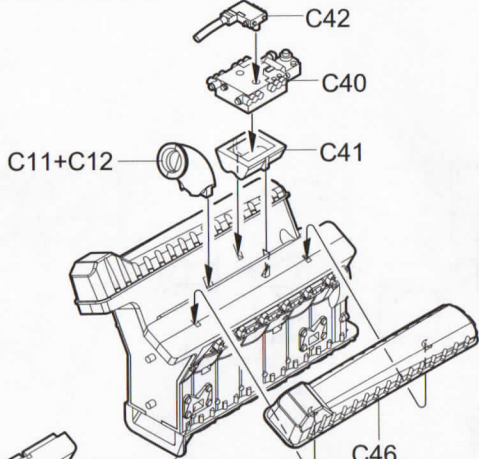
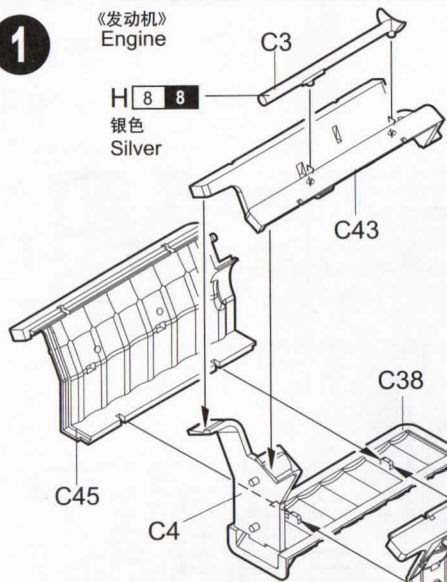


不用的部件: A32 B2 B3 B5 B16 B22 B23 B25 B27
Unused parts J2 J32 V5

1

《发动机》
Engine

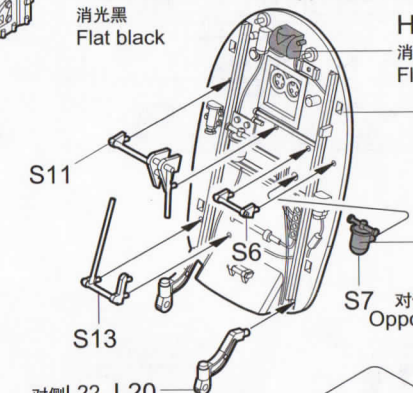
H 8 8
银色
Silver



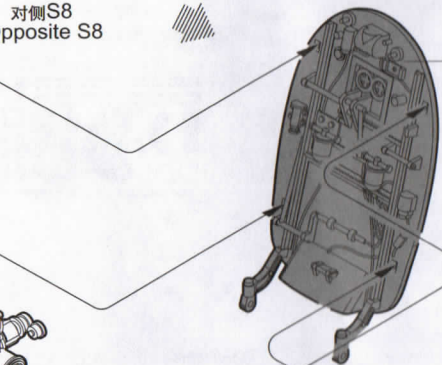
H 12 33
消光黑
Flat black

H 12 33
消光黑
Flat black

H 12 33
消光黑
Flat black



对侧L22 L20
Opposite L22



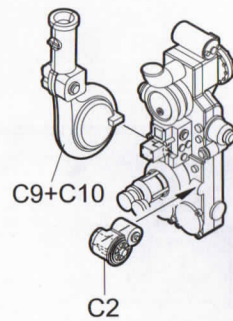
H 70 60
德国灰
RLM02 Gray

H 8 8
银色
Silver

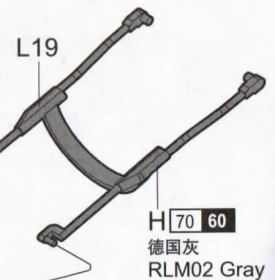
H 18 28
黑铁色
Steel

C18 对侧C16
Opposite C16

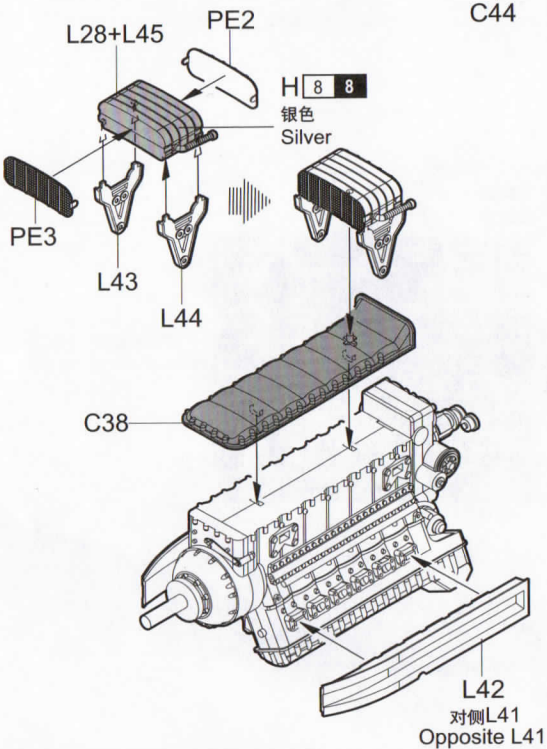
C19 对侧C17
Opposite C17



H 18 28
黑铁色
Steel



H 70 60
德国灰
RLM02 Gray

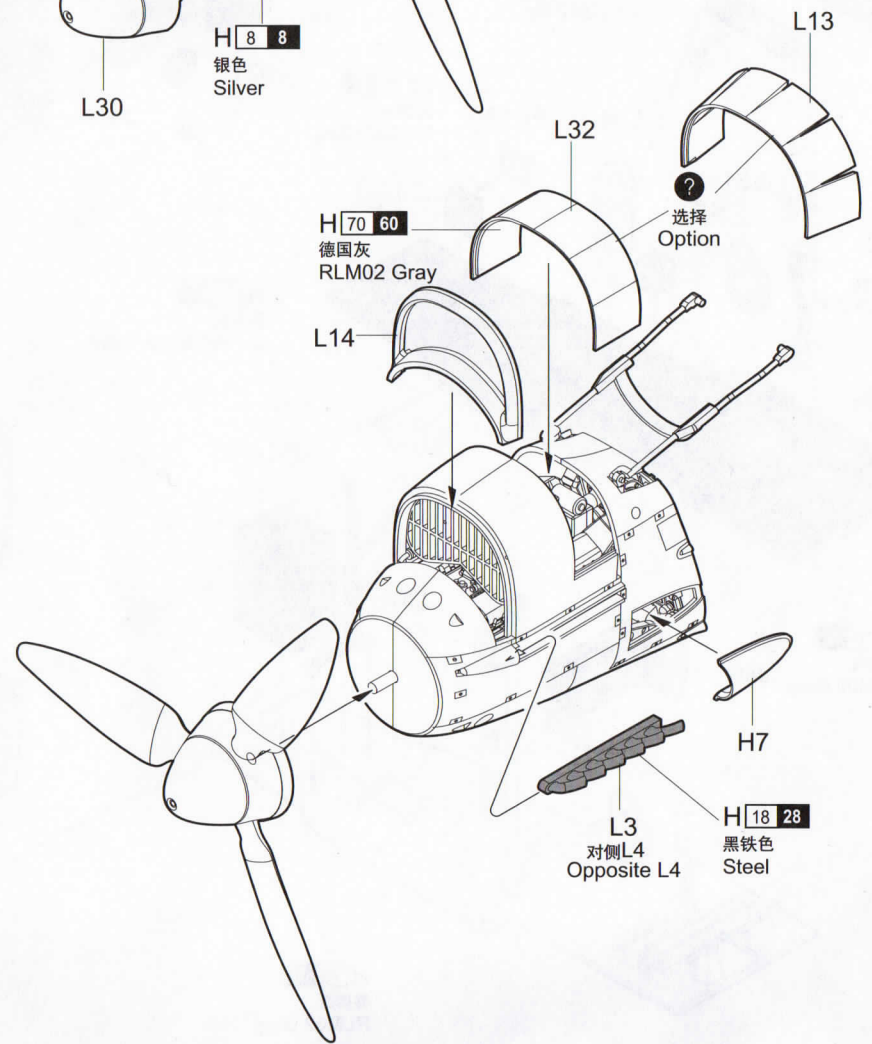
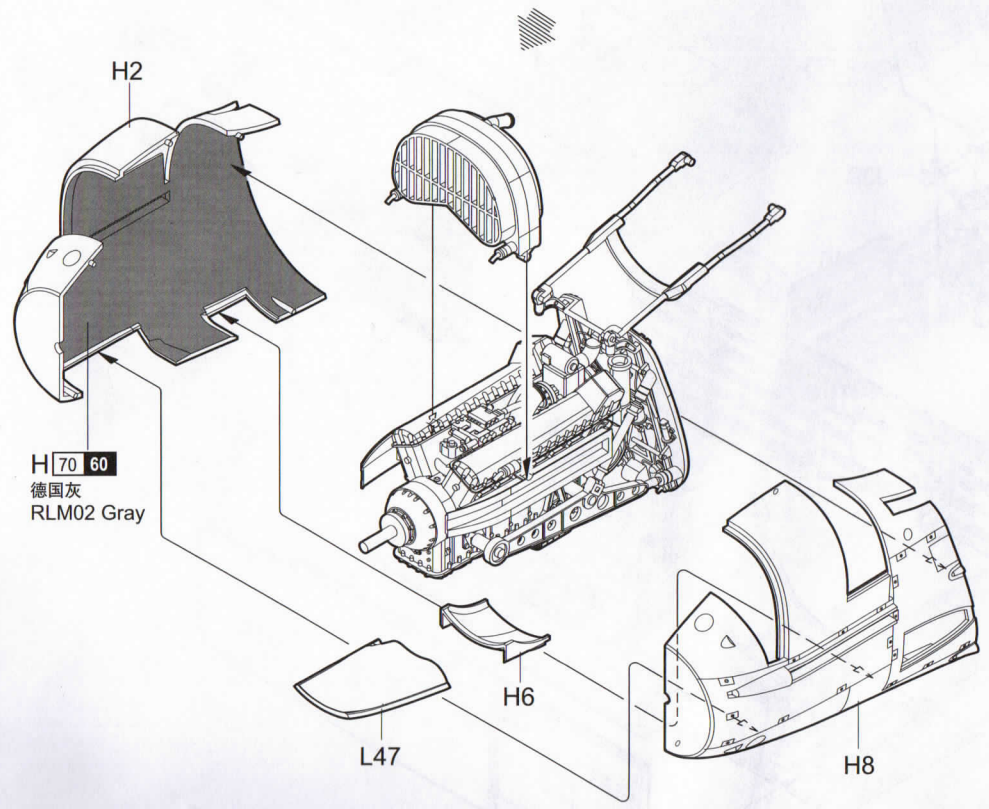
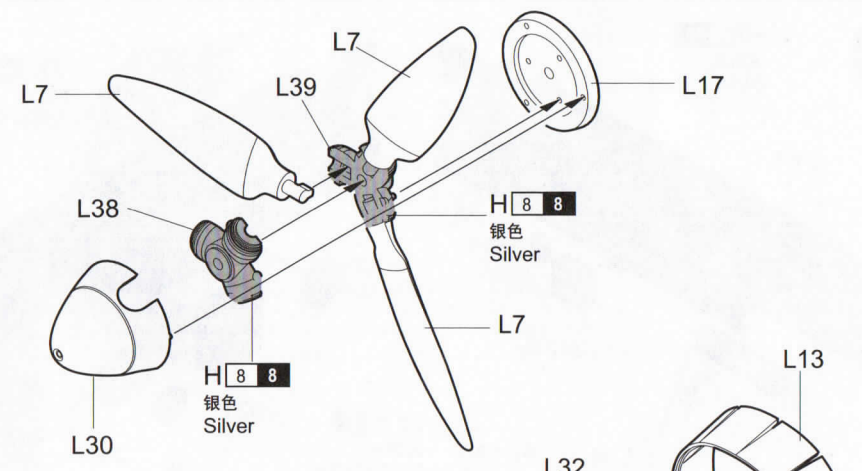
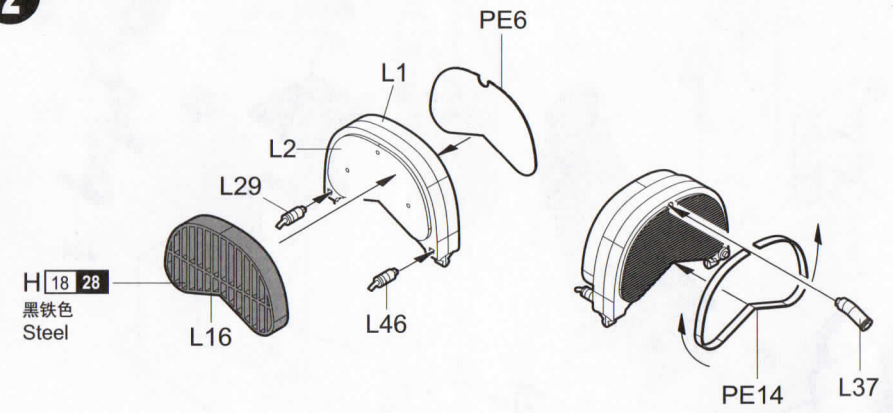


H 8 8
银色
Silver

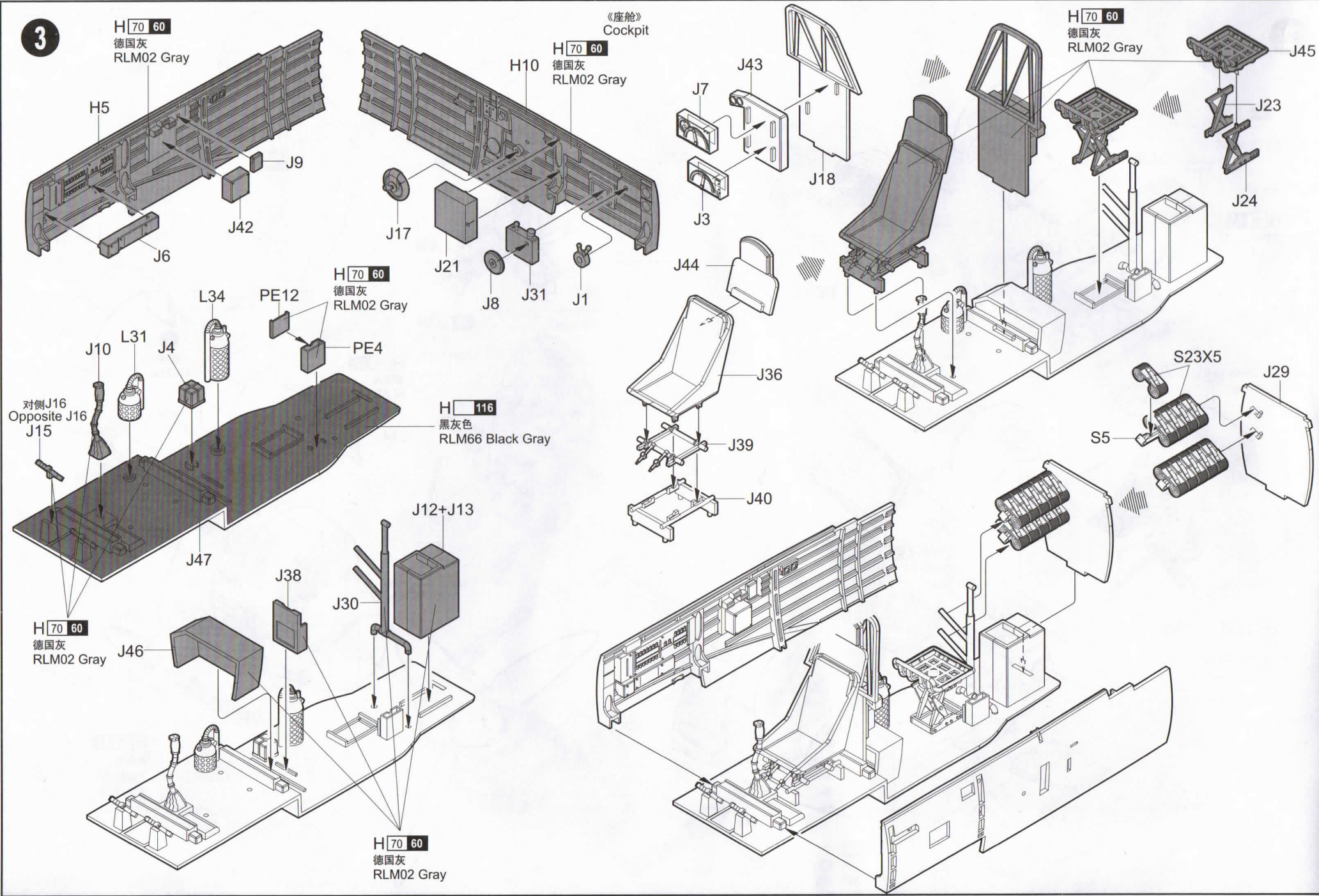
L42
对侧L41
Opposite L41

H 70 60
德国灰
RLM02 Gray

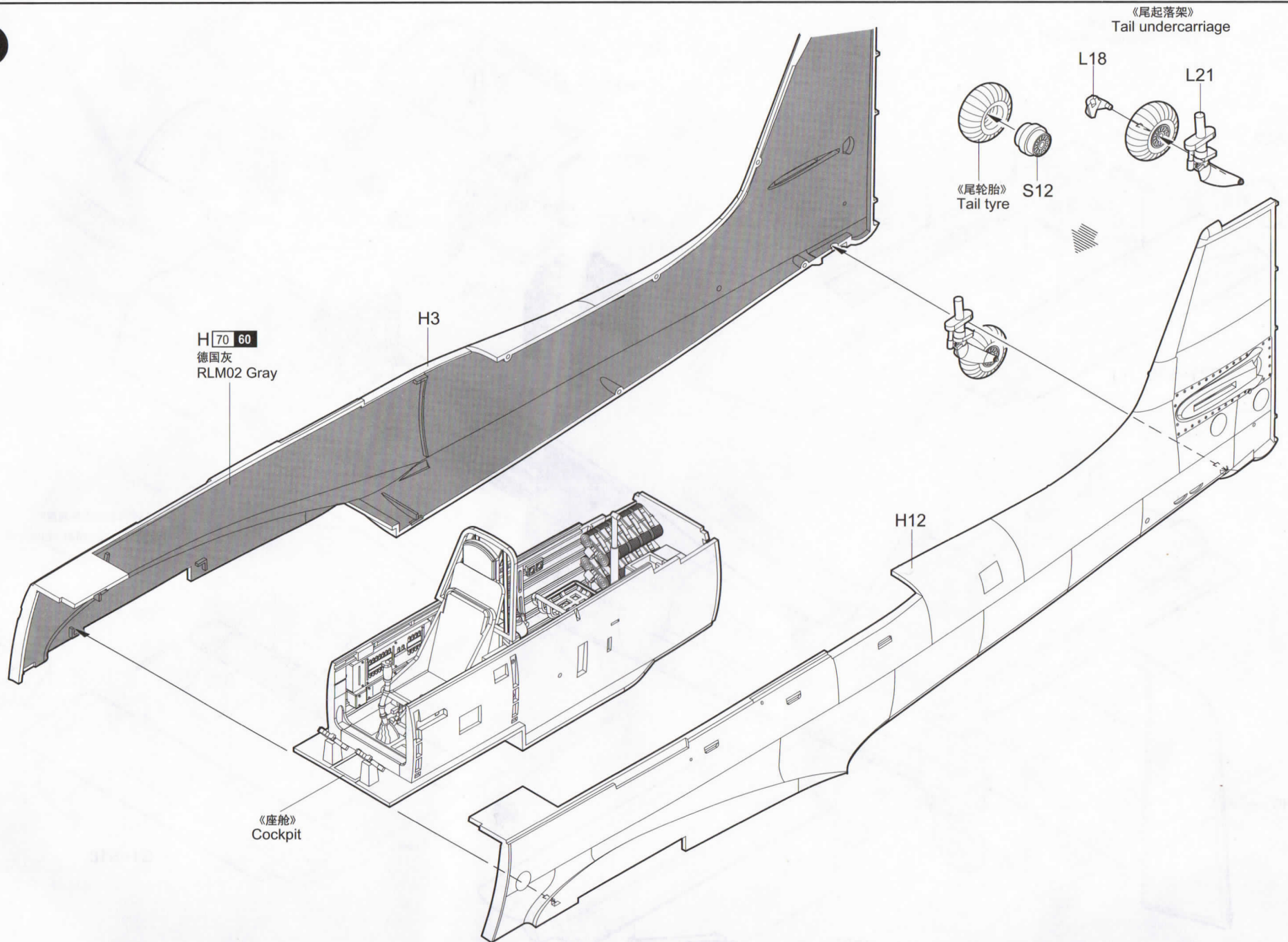
2



3

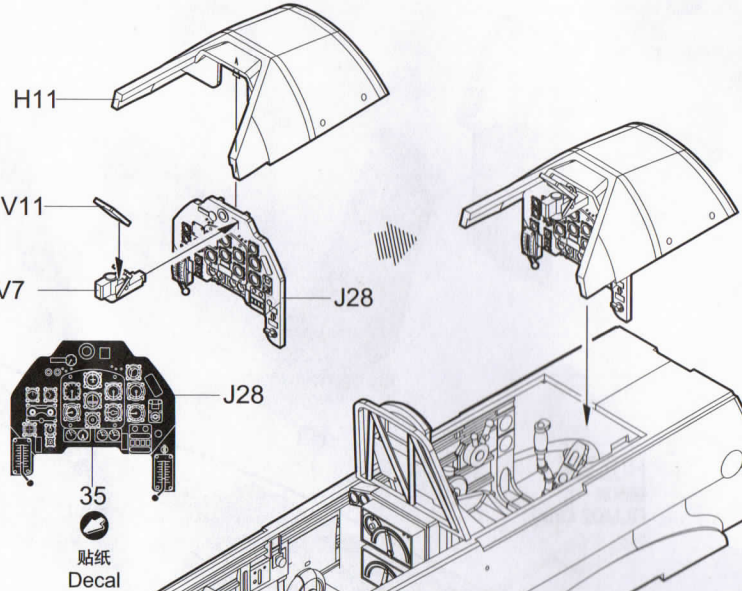


4

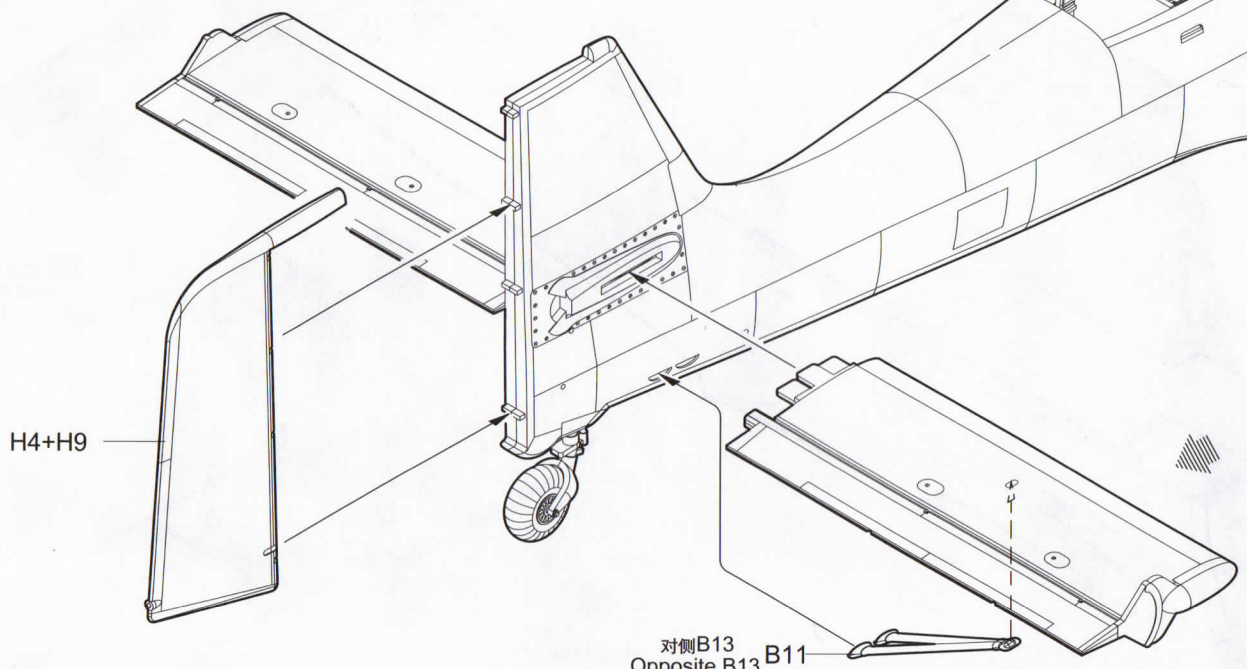
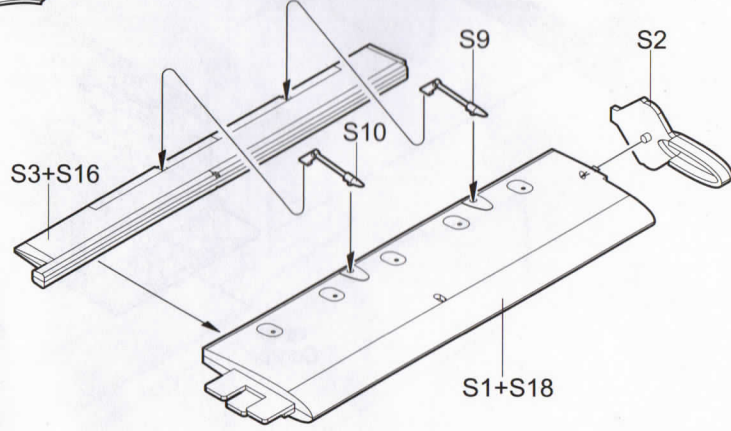


5

《左侧水平尾翼》
Left horizontal stabilizer



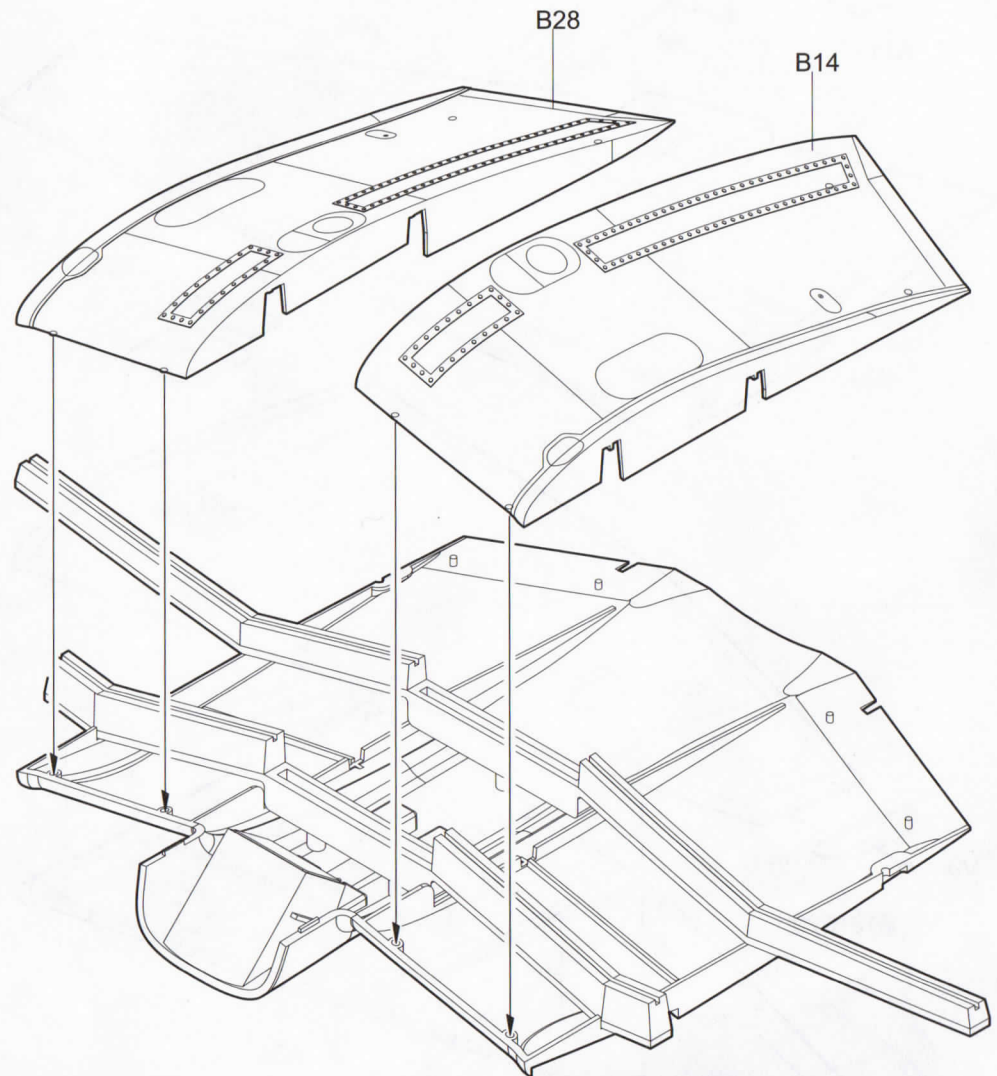
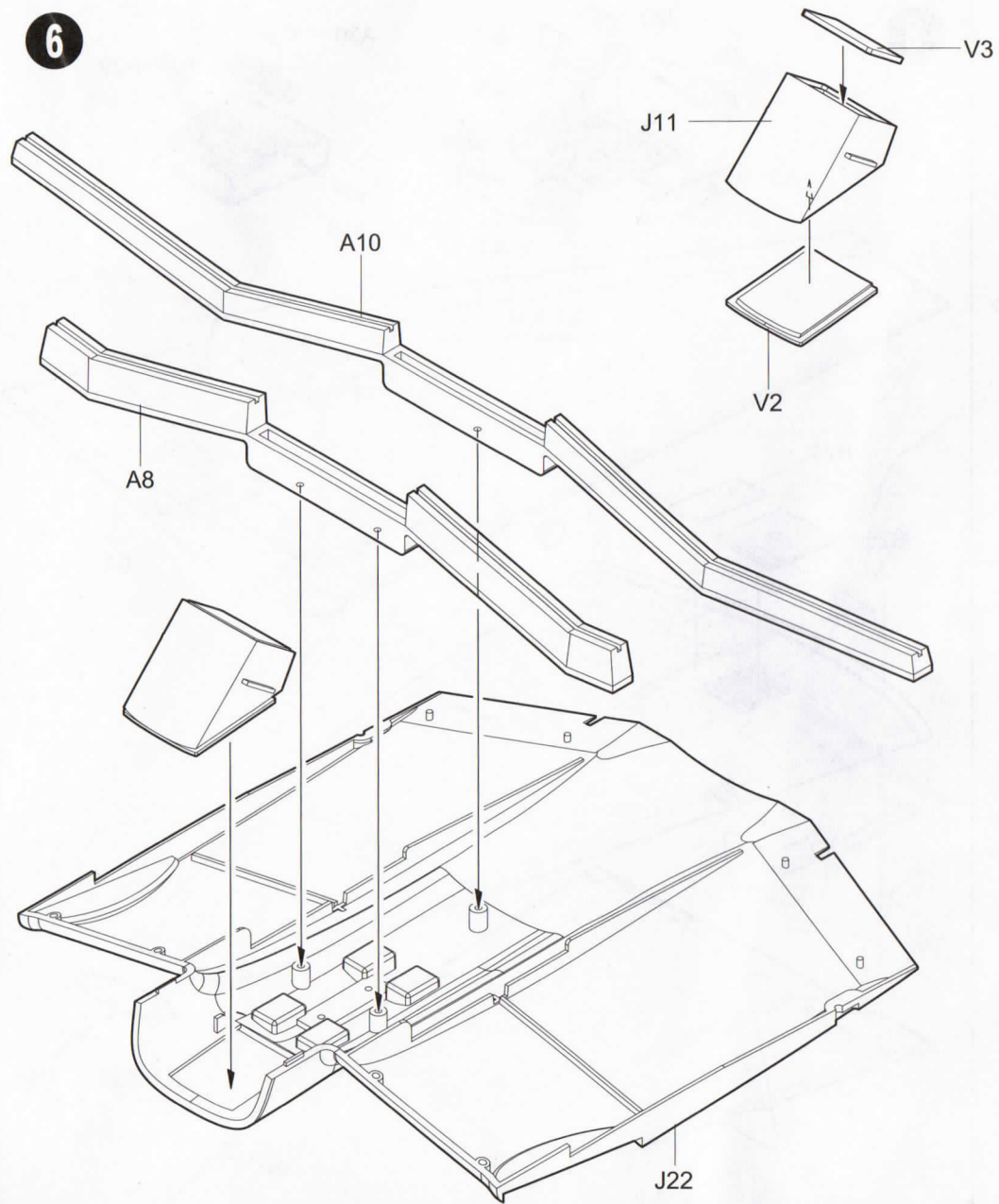
《右侧水平尾翼》
Right horizontal stabilizer

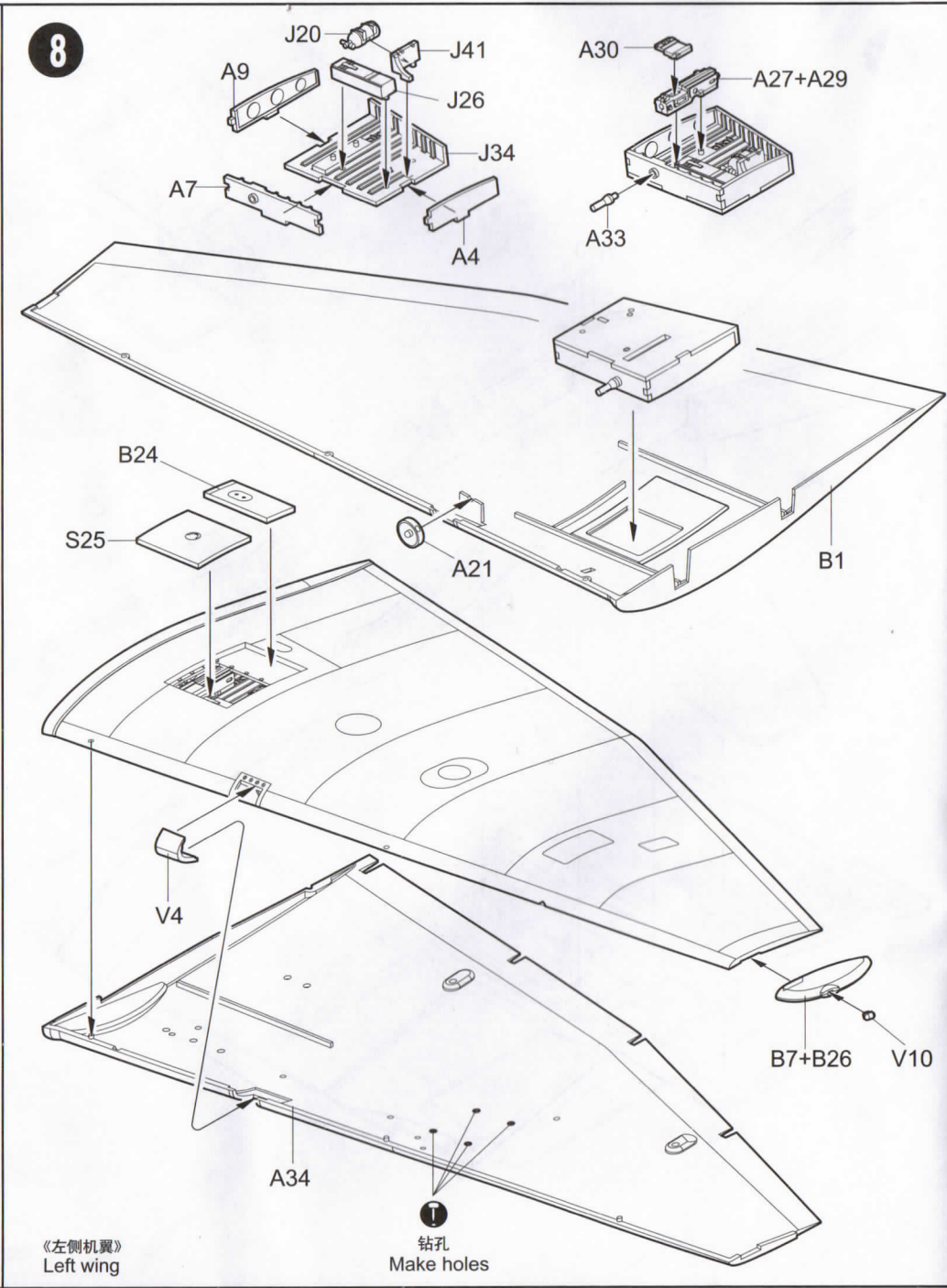
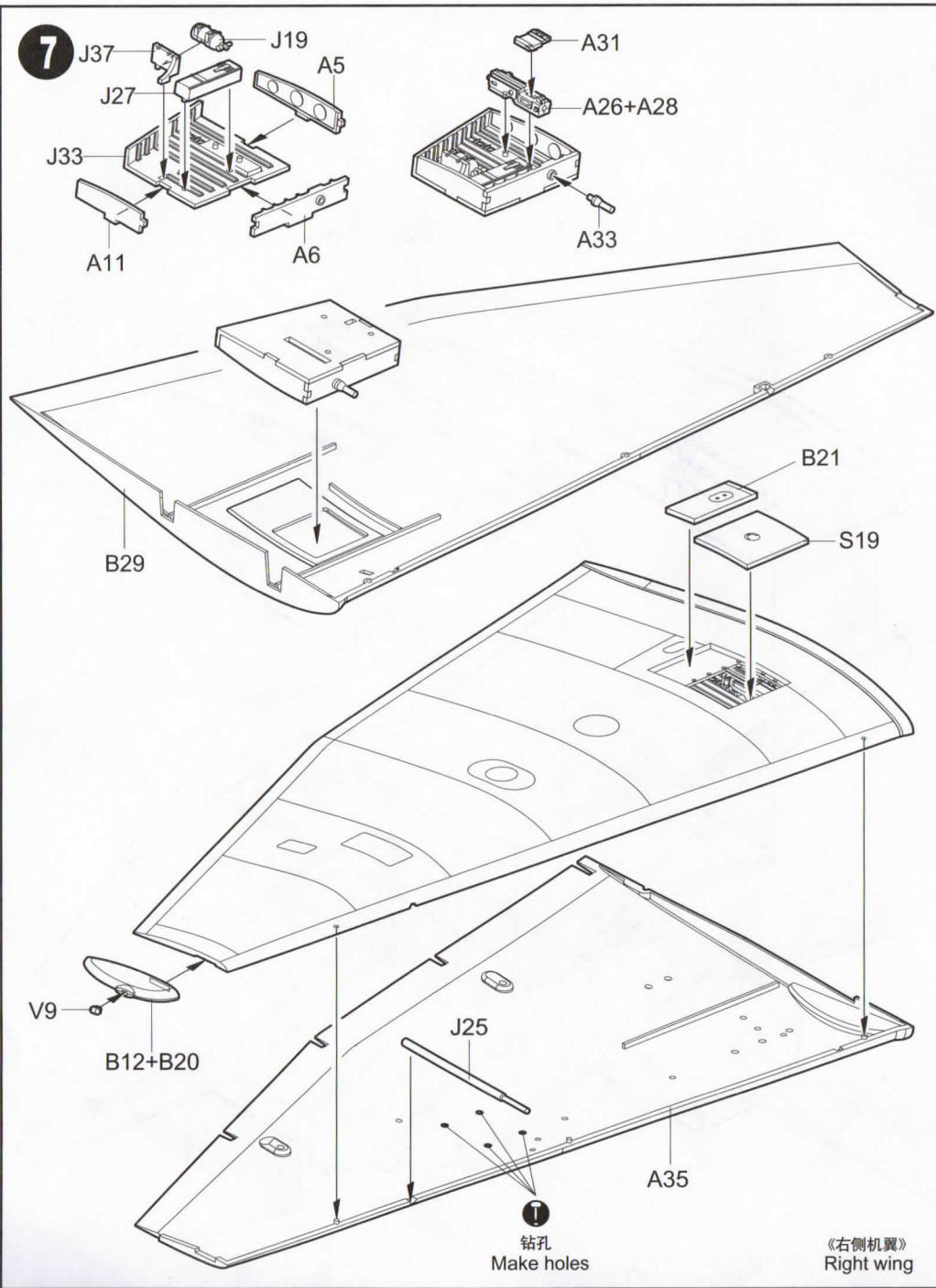


对侧B13
Opposite B13

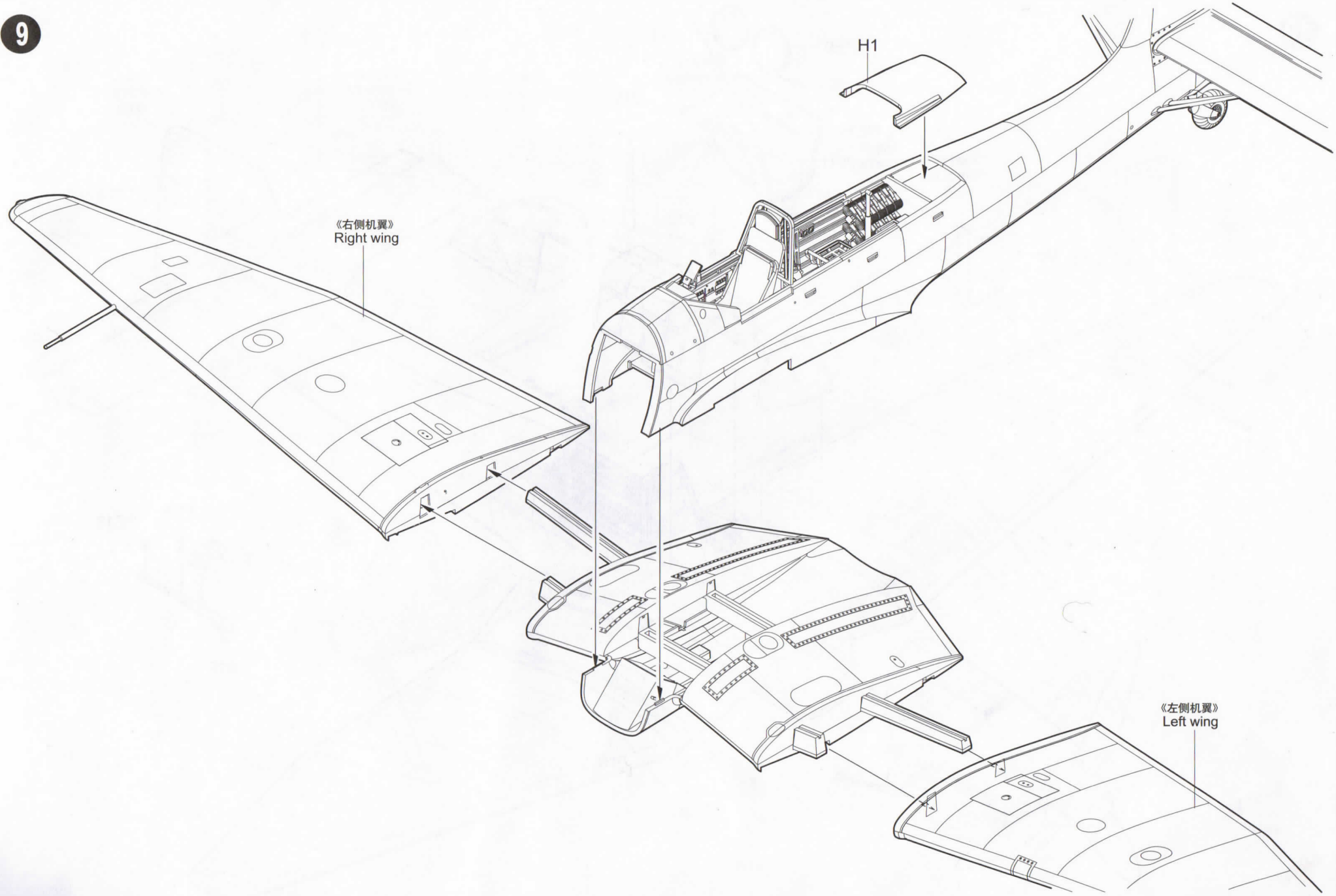
B11

6





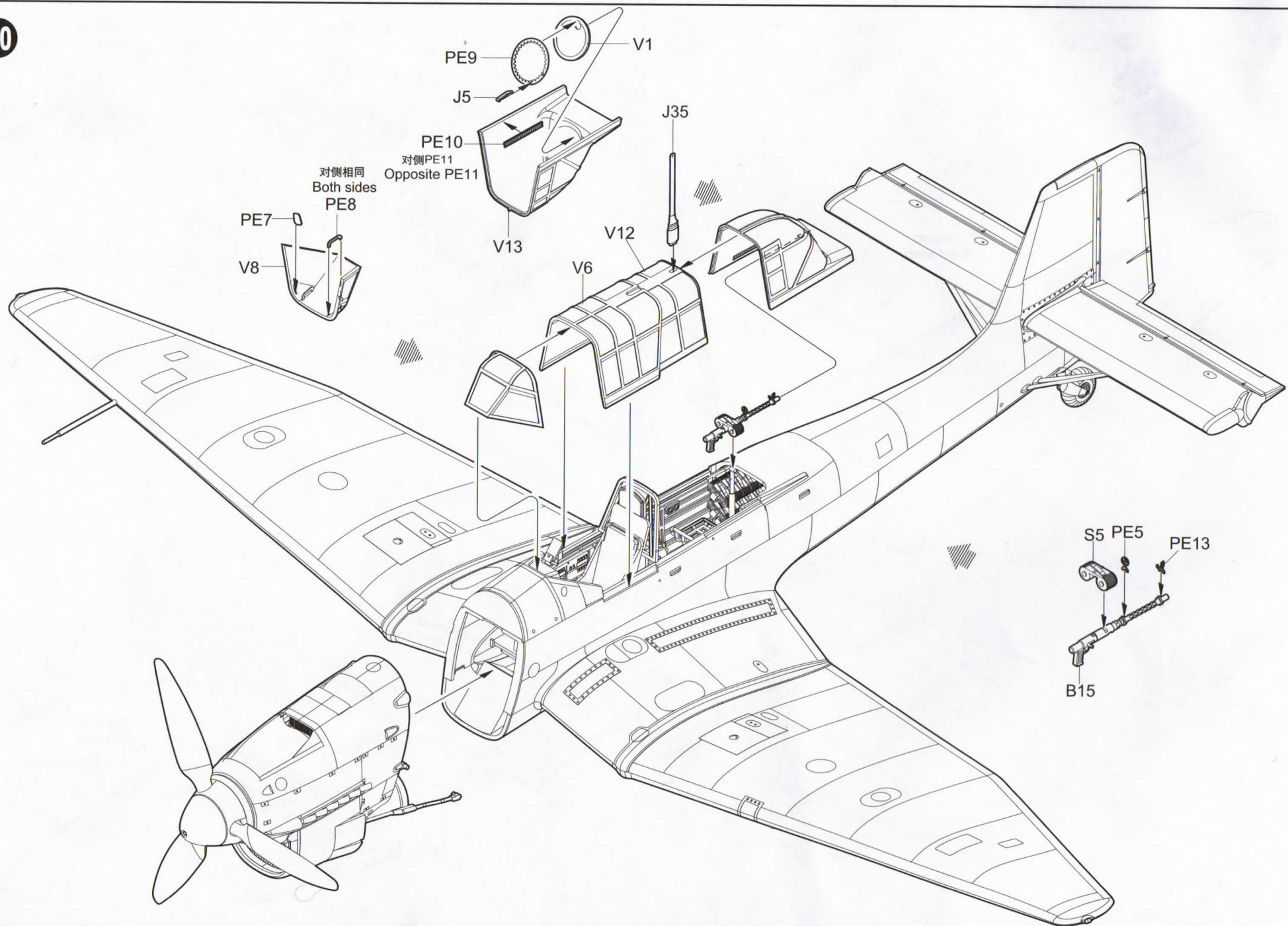
9

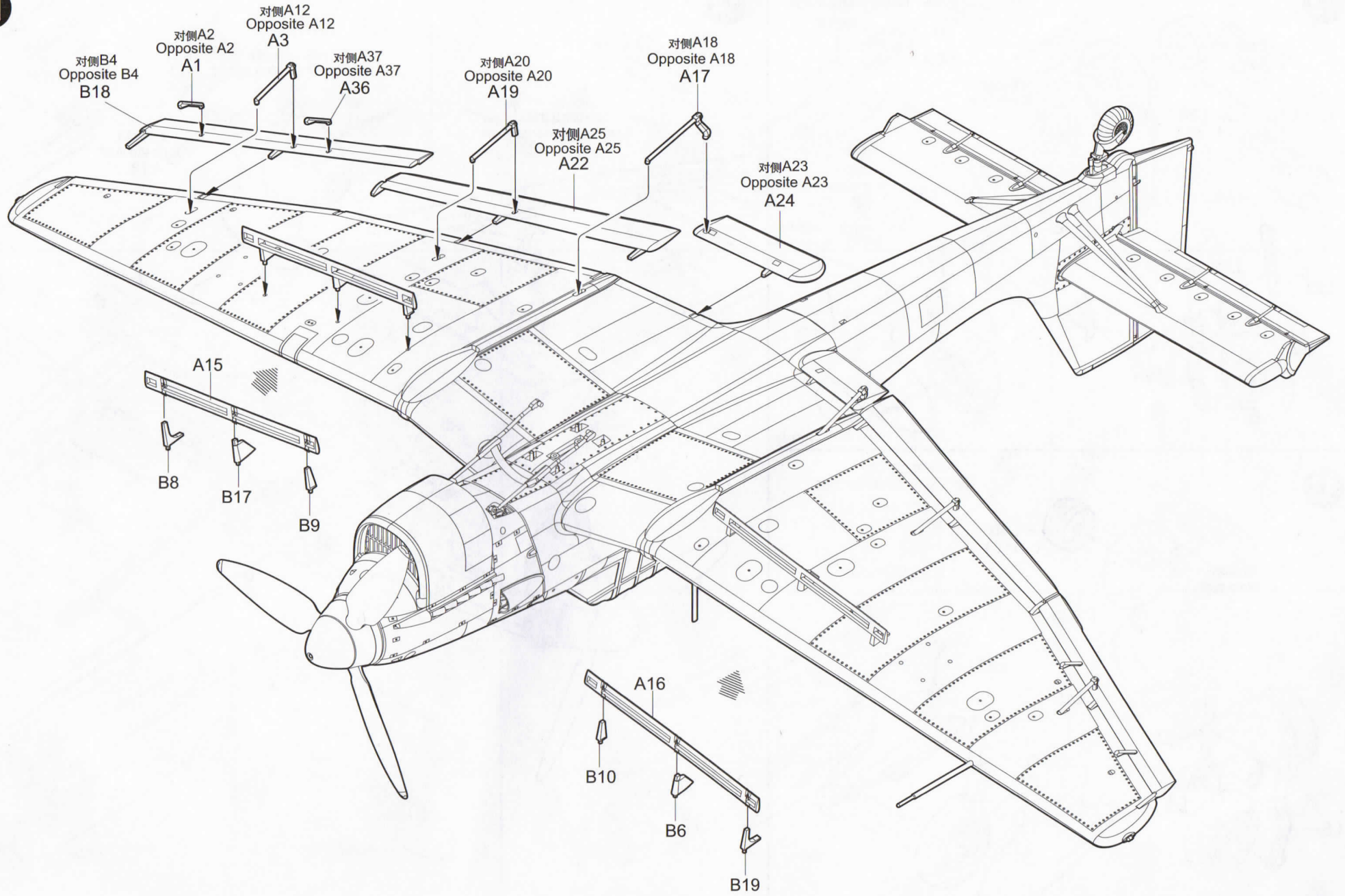


《右侧机翼》
Right wing

H1

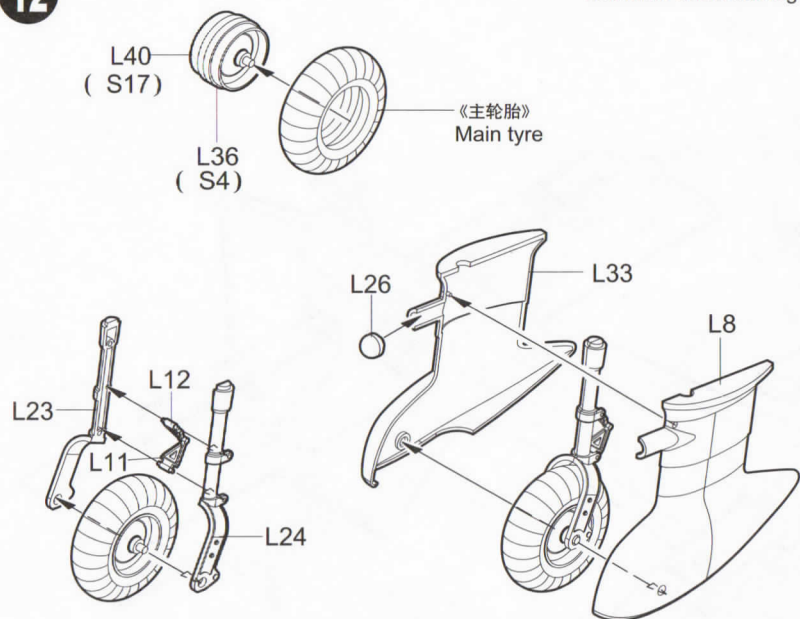
《左侧机翼》
Left wing





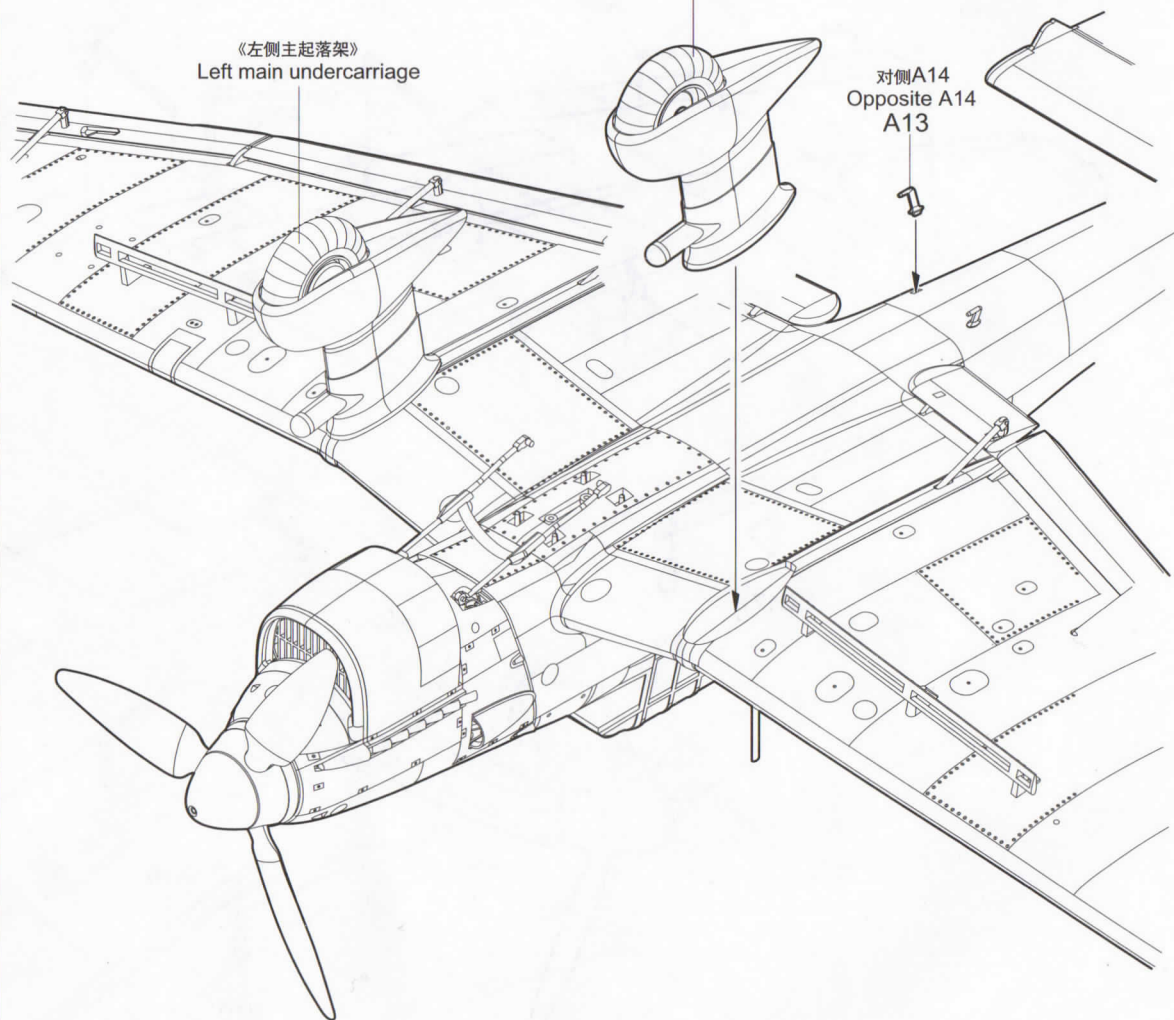
《左侧主起落架》
Left main undercarriage

12



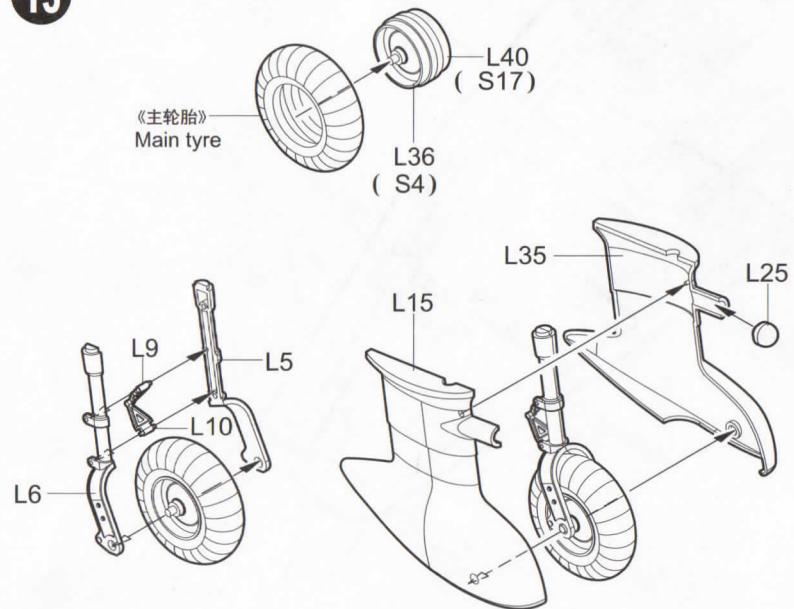
14

《右侧主起落架》
Right main undercarriage

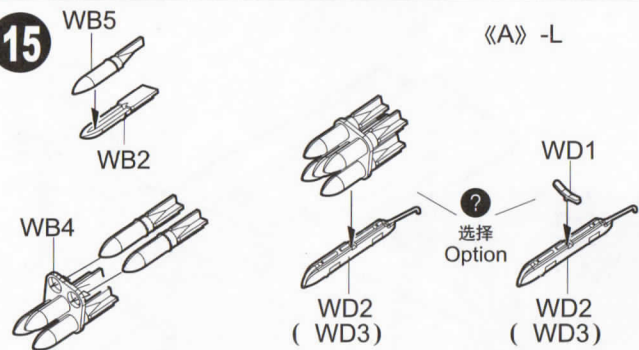


《右侧主起落架》
Right main undercarriage

13

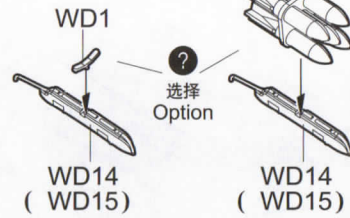


15

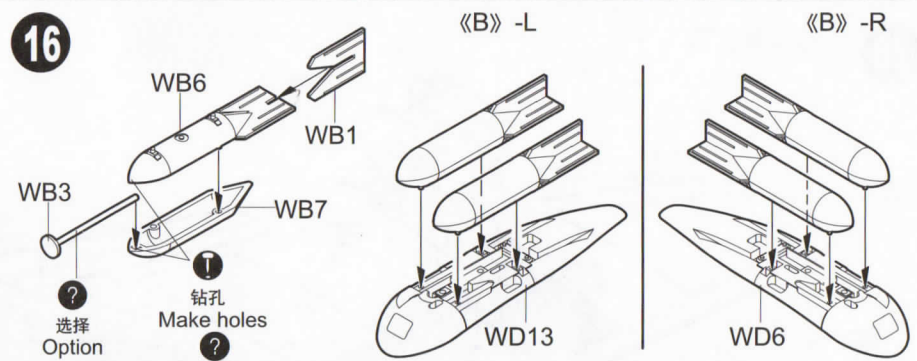


制作四组
Make four

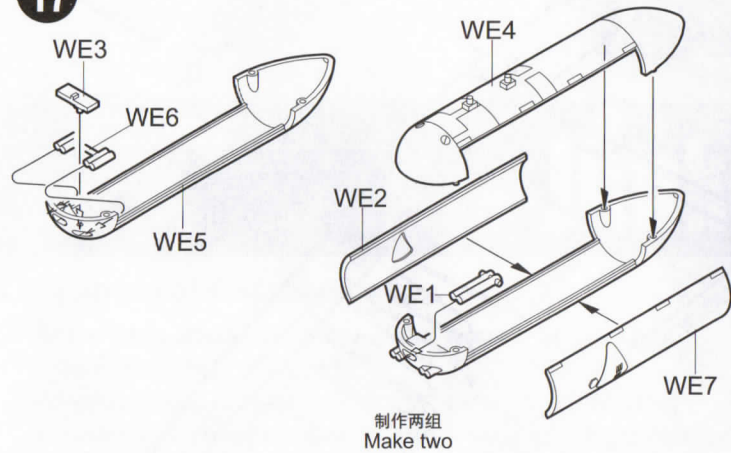
《A》 -R



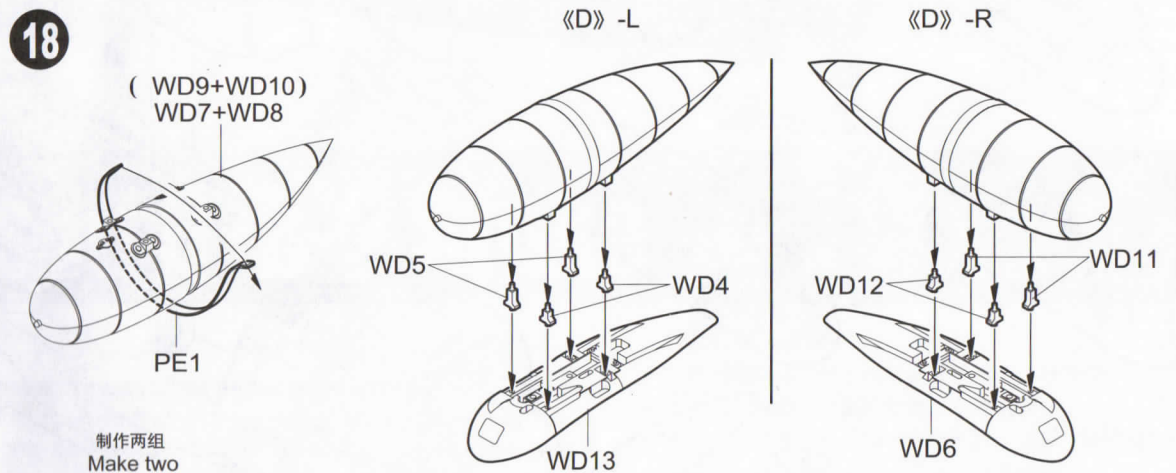
16



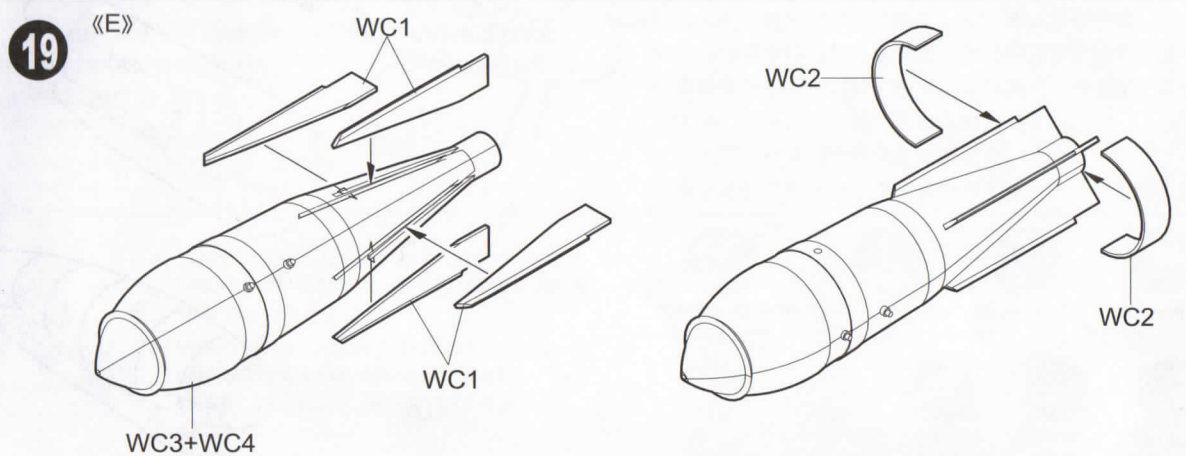
17



18

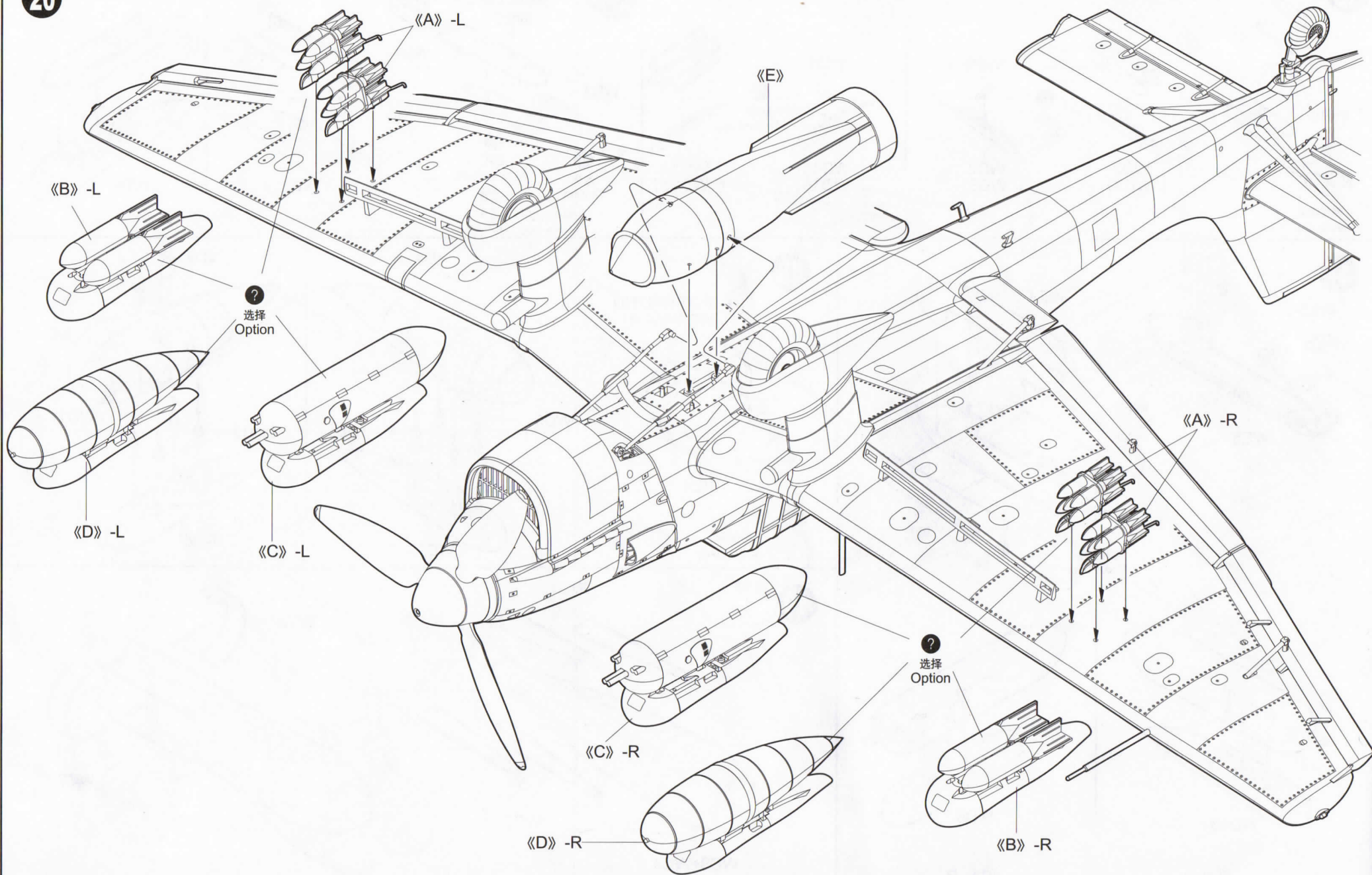


19



《C》 -L

《C》 -R

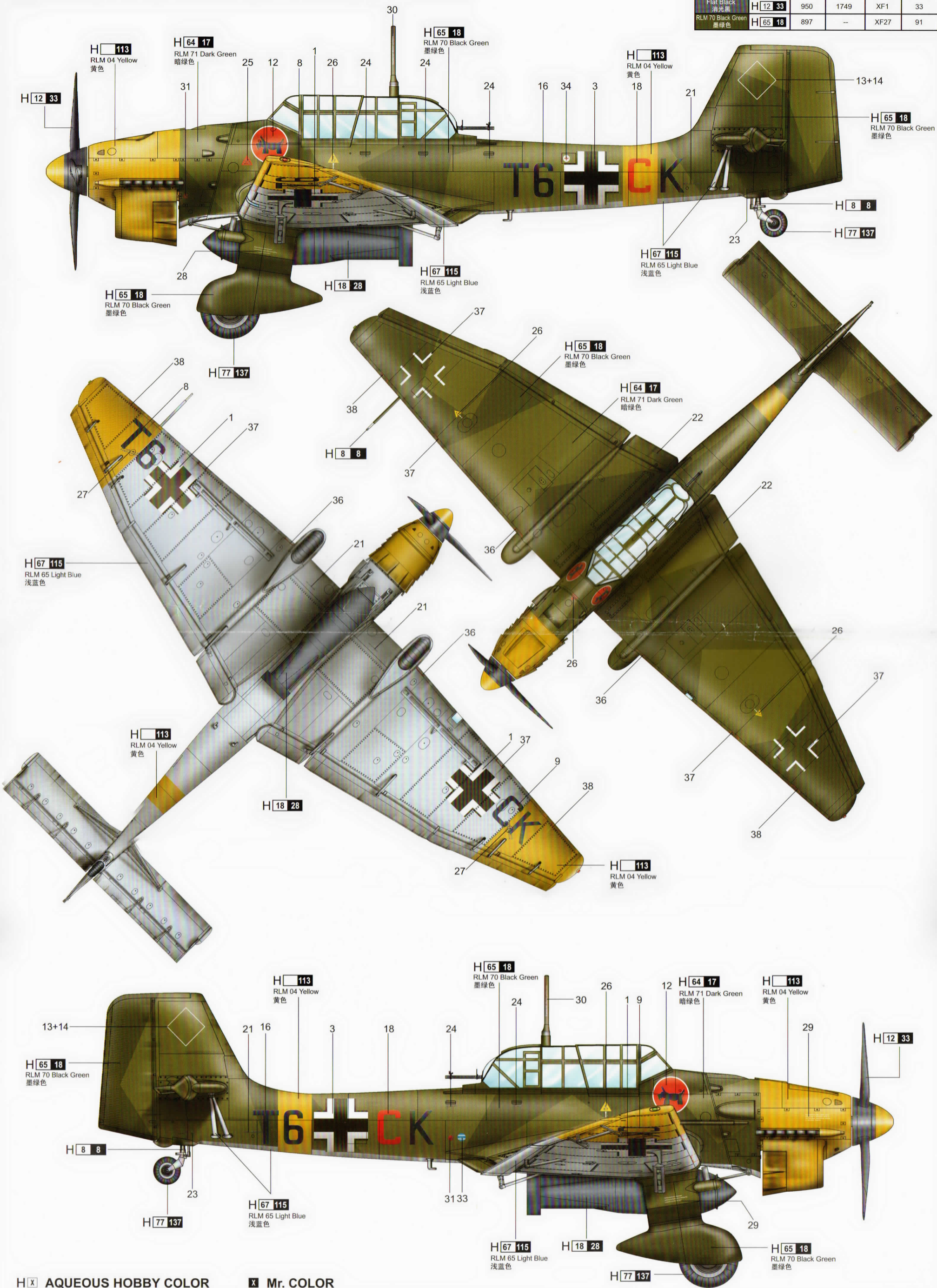


涂装同标贴指示
Painting & Marking guide

A Ju 87B-2,2./St.G 2, 'Immelmann', Russian Front, September 1941.

PAINT REFERENCE COLOUR

Color	Mr.Hobby	Vallejo	Model Master	Tamiya	Humbrol
Tire Black 胎黑色	H 77 137	-	-	-	-
Silver 银色	H 8 8	997	1546	X11	11
Flat Black 消光黑	H 12 33	950	1749	XF1	33
RLM 70 Black Green 墨绿色	H 65 18	897	-	XF27	91



H X AQUEOUS HOBBY COLOR

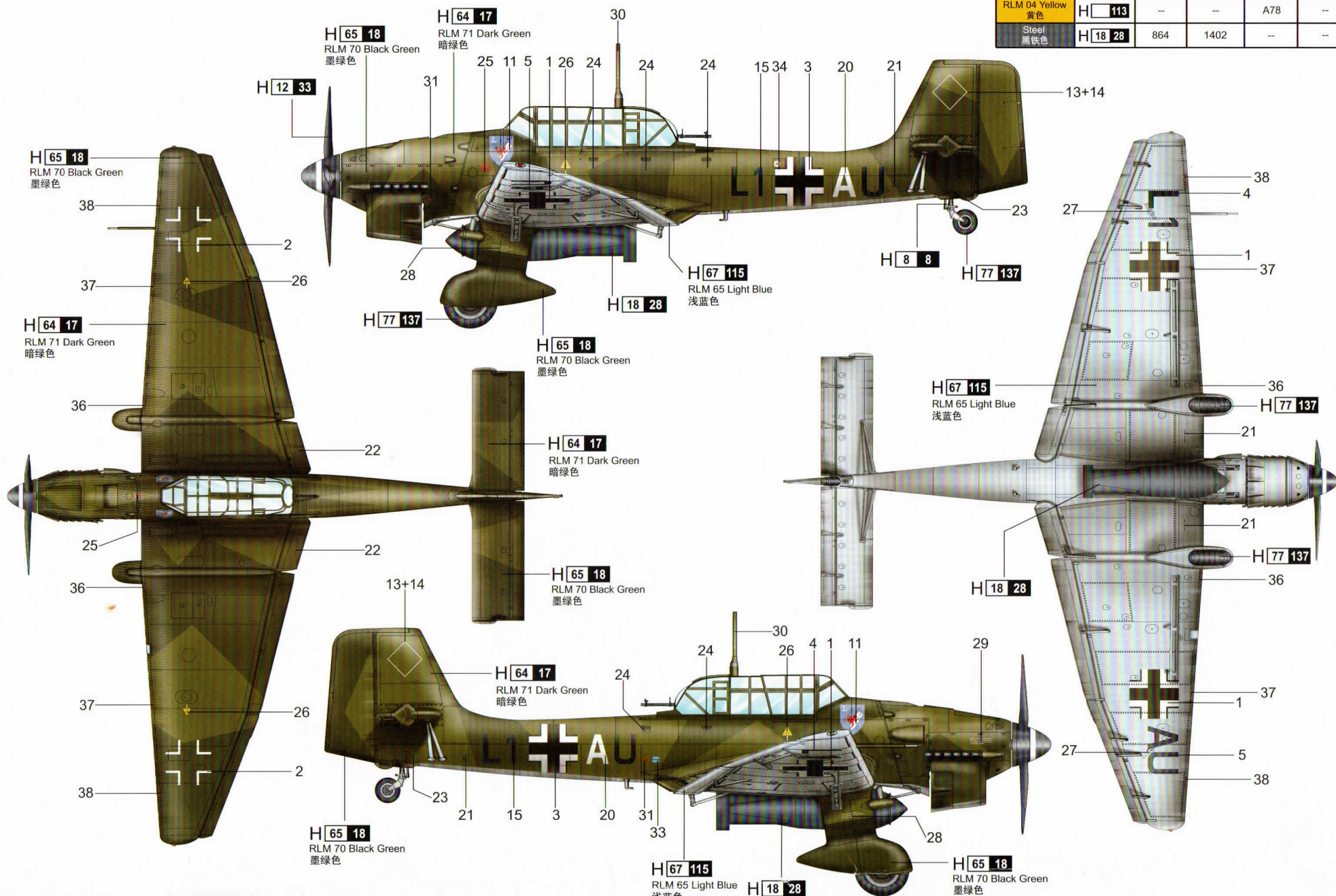
X Mr. COLOR

涂装同标贴指示 Painting & Marking guide

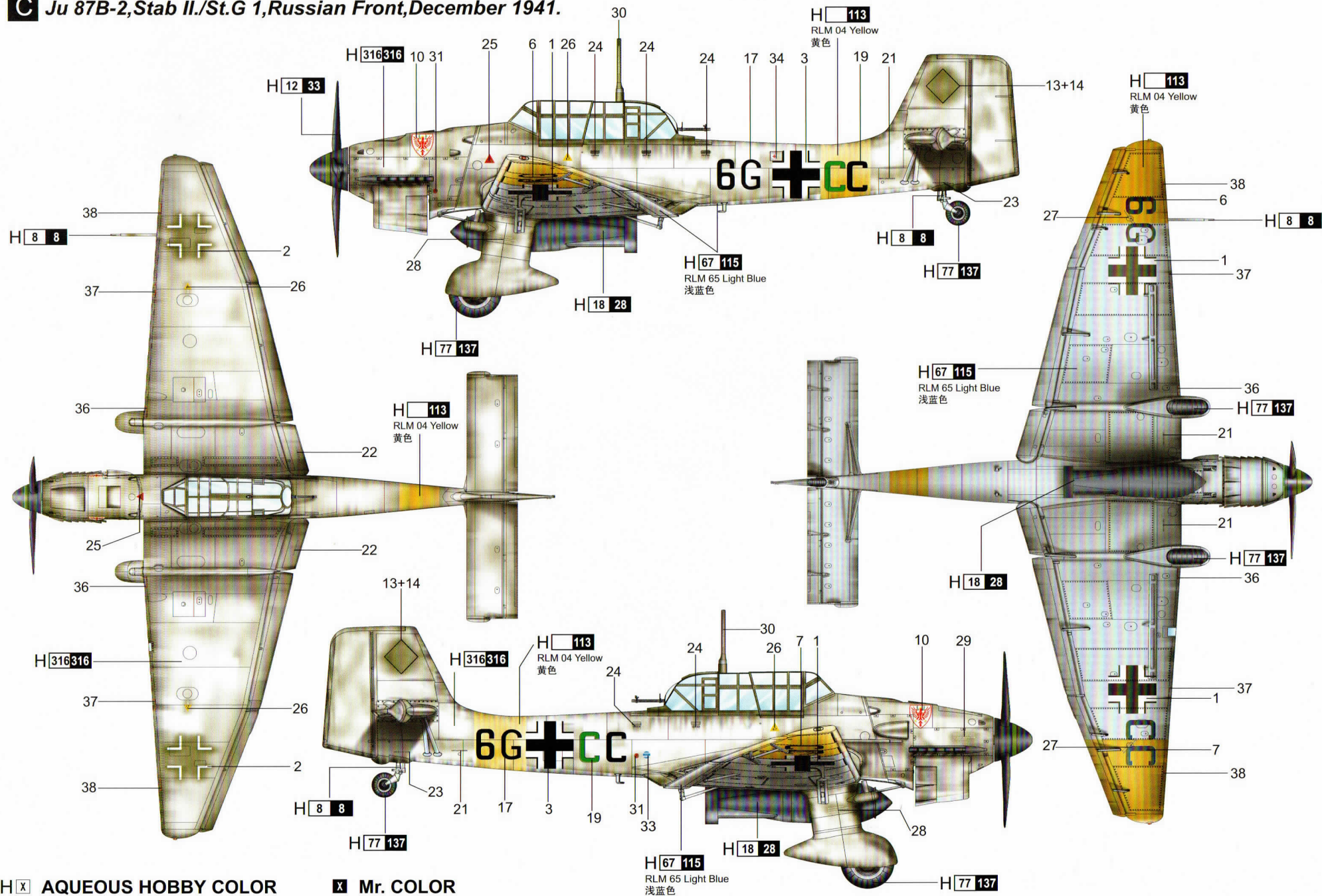
B Ju 87B-2,10./LG 1,Tramecourt,France July 1940.

PAINT REFERENCE COLOUR

Color	Mr.Hobby	Vallejo	Model Master	Tamiya	Humbrol
RLM 71 Dark Green 暗绿色	H 64 17	--	--	--	--
RLM 65 Light Blue 浅蓝色	H 67 115	906	--	XF23	65
White 白色	H 316 316	991	1740	XF54	140
RLM 04 Yellow 黄色	H 113	--	--	A78	--
Steel 黑铁色	H 18 28	864	1402	--	--



C Ju 87B-2, Stab II./St.G 1, Russian Front, December 1941.



H AQUEOUS HOBBY COLOR

X Mr. COLOR