

# 1:700 SCALE Russian Navy Slava Class Cruiser Varyag

## 俄罗斯海军光荣级巡洋舰瓦良格号



### READ BEFORE ASSEMBLY

- Study and understand this instructions thoroughly before beginning assembly.
- Remove all injection pins carefull using a modeling file.
- Cut off the photo-etched parts carefully using a modeling knife. Be sure not to lose small parts.
- Apply instant cement to photo etched parts and shafts. Apply too much instant cement will cause movable parts to stick. Apply cement carefully.
- Extra care should be taken to avoid personal injury when handling the photo etched parts.
- Some parts should depend on decals. Select piror to assembly.
- Tools recommended: (Not included in this kit)
- Cement; Side cutters; Long nose pliers; Modeling knife; Modeling file; Tweezers; Pin vise; Scissors; Instant cement.
- Soft cloth and sand paper will also assist in construction.
- Glue and paints are not in cluded in the kit. Use plastic cement or paints only.
- Keep out of reach of small children. Children must not be allowed to suck any part, or pull vinyl bag over the head.

### 装配之前仔细阅读

- 小心用模型锉刀锉平所有零件表面的注射浇口。
- 小心用刀片切下蚀刻片零件，不要遗失小零件。
- 用强力快干胶水粘合蚀刻片零件和金属轴。过量的快干胶水使用可能导致可动零件会粘住，小心涂胶。
- 取蚀刻片时应特别注意安全，防止利边划伤手指。
- 某些零件表面需贴上水贴纸，请选择在装配的同时进行。
- 推荐模型工具(自备)：胶水，水口剪刀，长咀钳，刀片，锉刀，镊子钳，钻，剪刀，瞬间快干胶。
- 软布同砂纸同时也应该是必备工具。
- 请使用塑料胶水和油漆，模型内不含。
- 谨防小孩吸吮塑料零件，或者将塑料袋套在头上，制作时应将套材远离小孩接触。



cyanoacrylate glue  
使用强力胶



weight  
配重



make hole  
钻孔



cut / remove  
切除



bend  
弯曲



file / sand  
锉平



option  
选择



no cement  
不涂胶水



decal  
贴纸

### 水贴纸的使用：

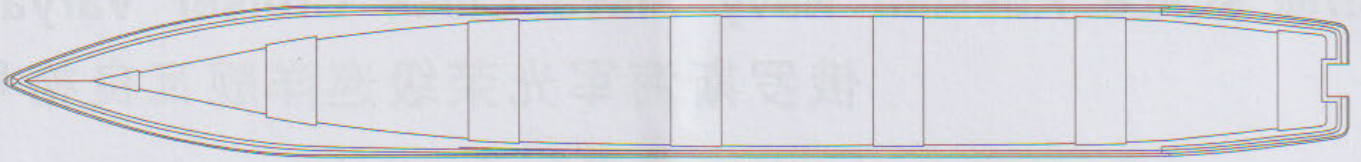
1. 从水贴纸上剪下印花；
2. 将印花放入温水中浸10秒，然后放在干净布上。
3. 拿着印花纸板将印花移到模型上；
4. 手指蘸水将印花移到适当的位置；
5. 用软布轻压印花直至水干，汽泡消失。

### DECAL APPLICATION

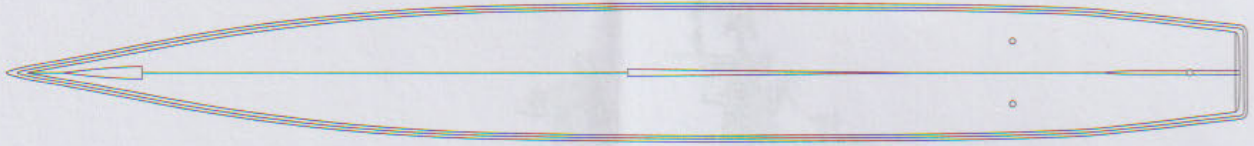
1. Cut off decal from sheet.
2. Dip the decal in tepid water 40°C for about 10 sec. and place on a clean cloth.
3. Hold the backing sheet edge and slide decal onto the model.
4. Move decal into position by wetting decal with finger.
5. Press decal gently down with a soft cloth until excess water and air bubbles are gone.

部品图 PARTS

上船体  
Upper hull



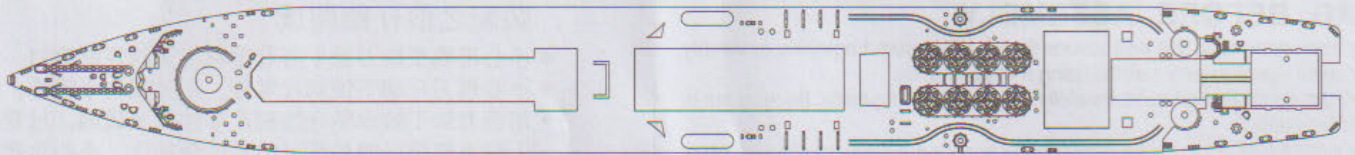
下船底  
Lower hull



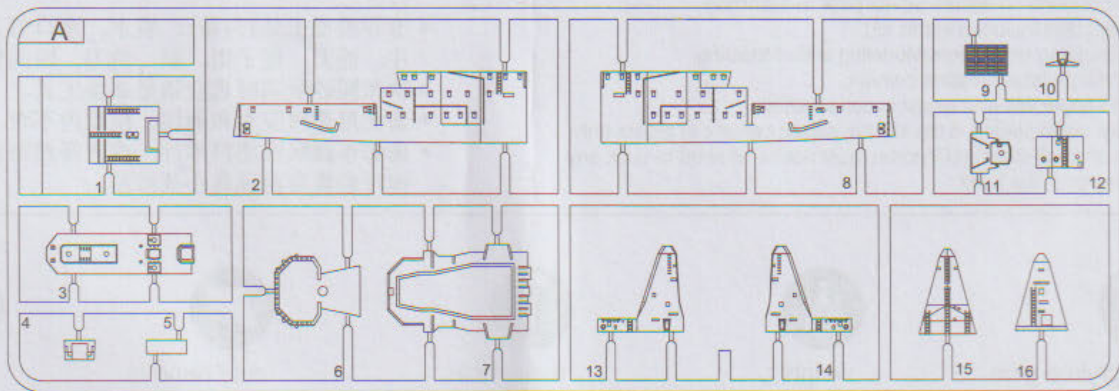
水线板  
Waterline Plate



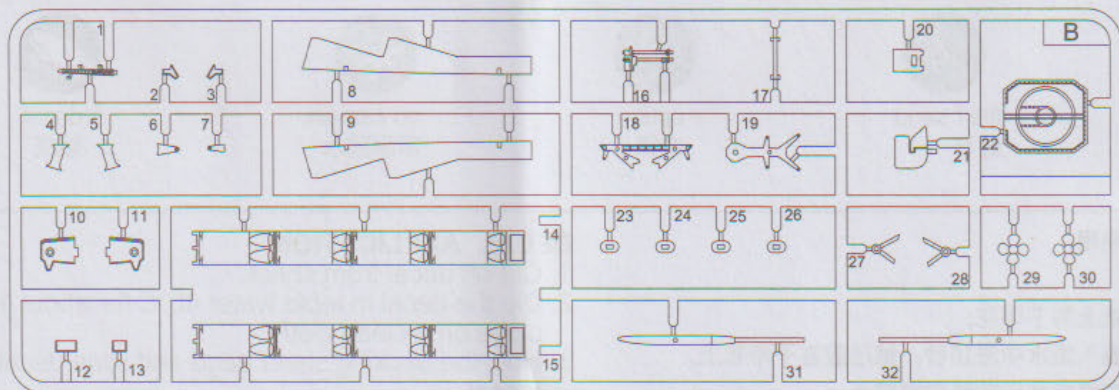
甲板  
Deck



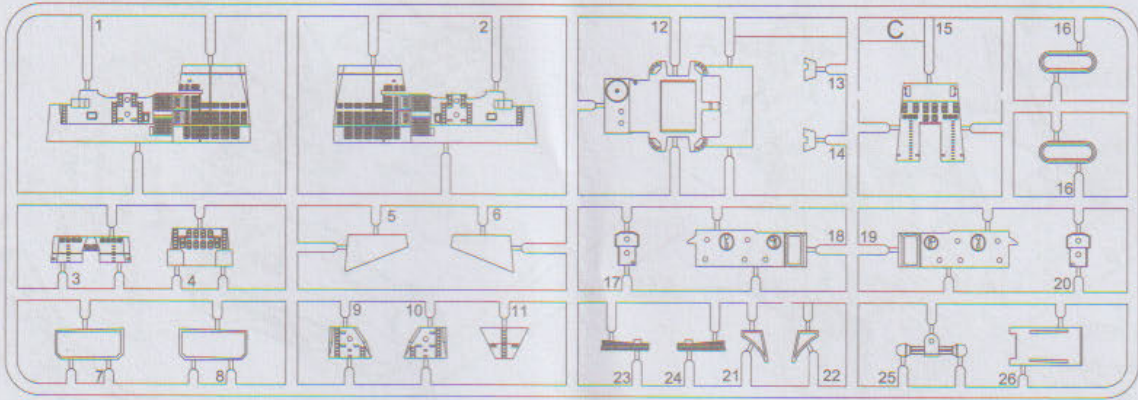
A



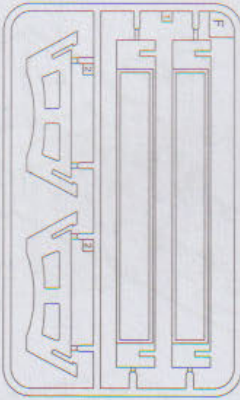
B



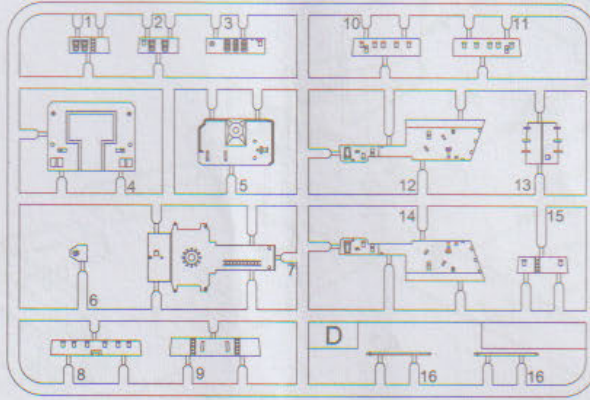
C



座架 Stand



D



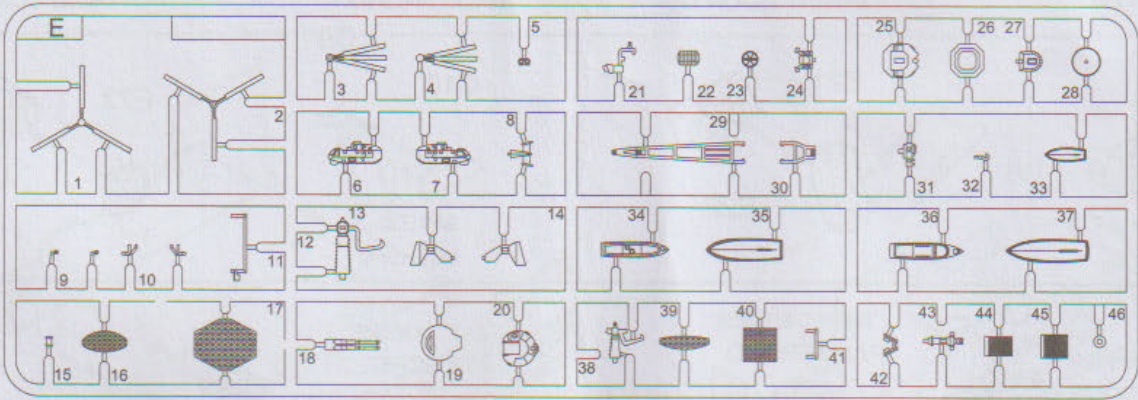
铭牌  
Name plat



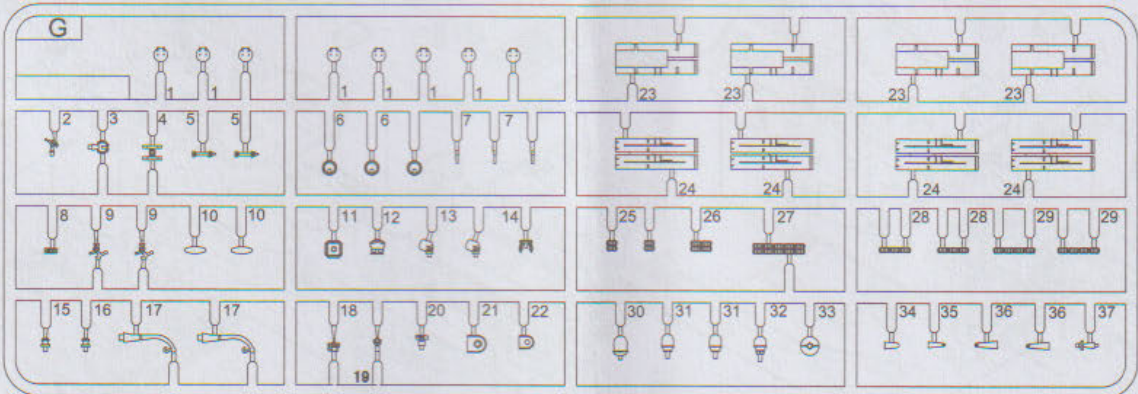
水贴  
Decal



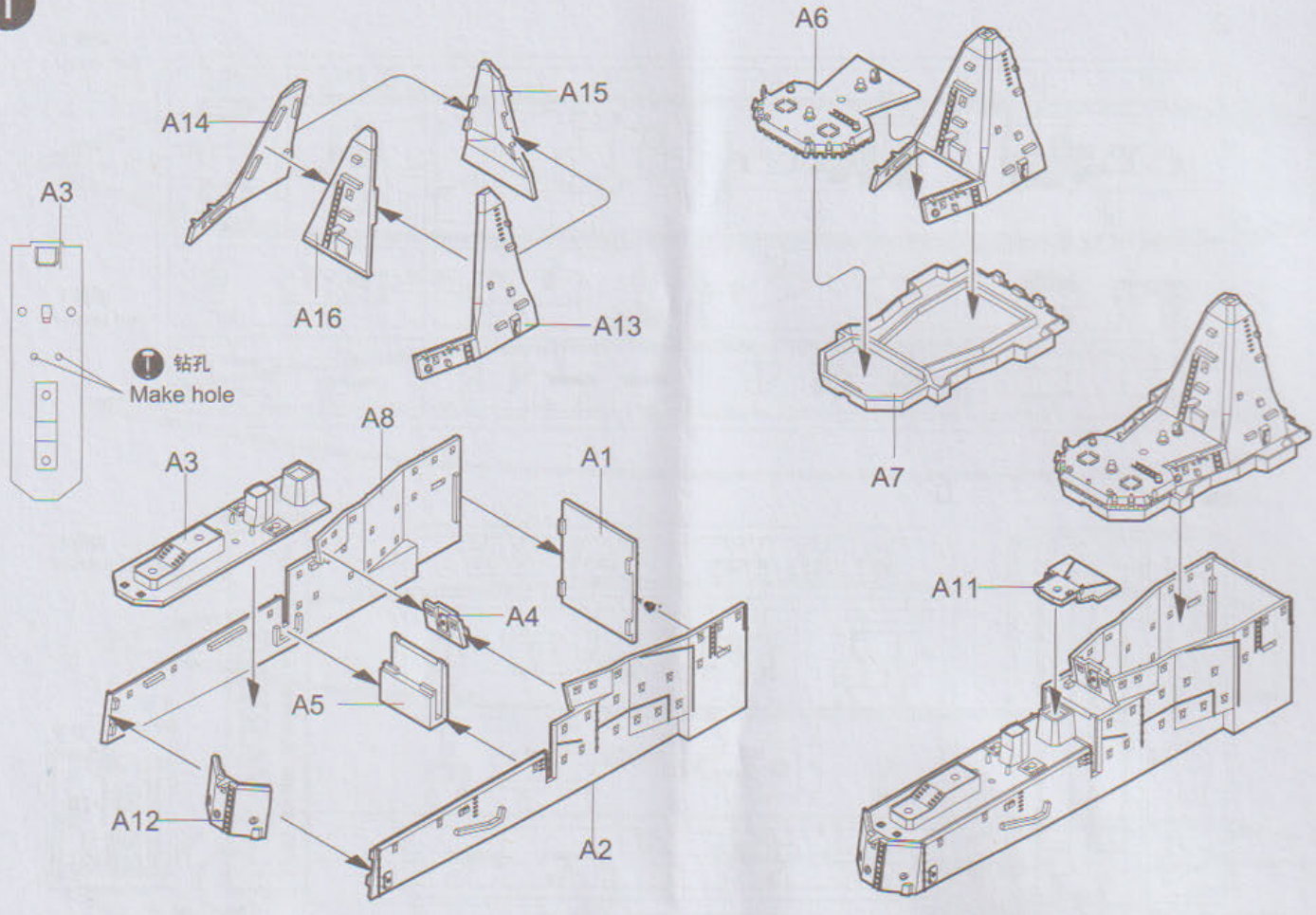
E



G×2



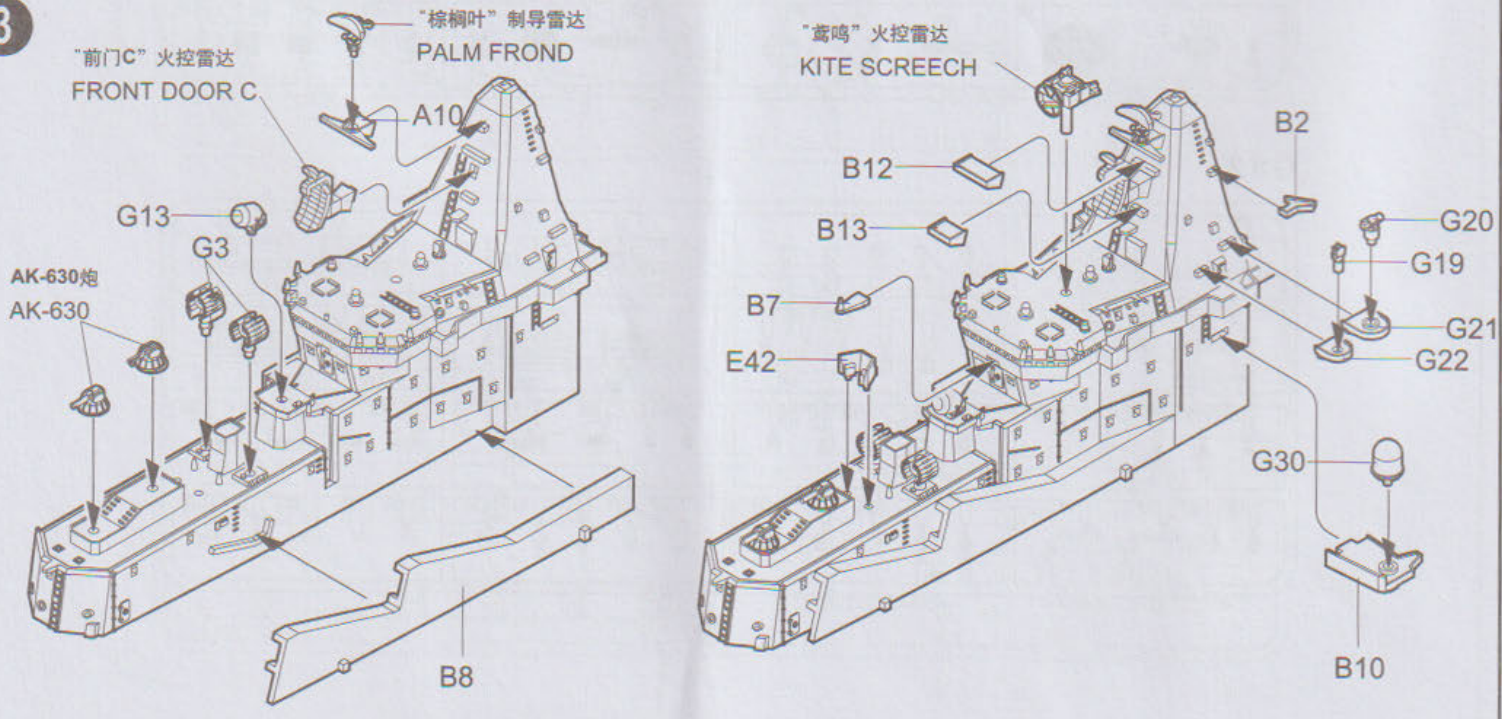
1



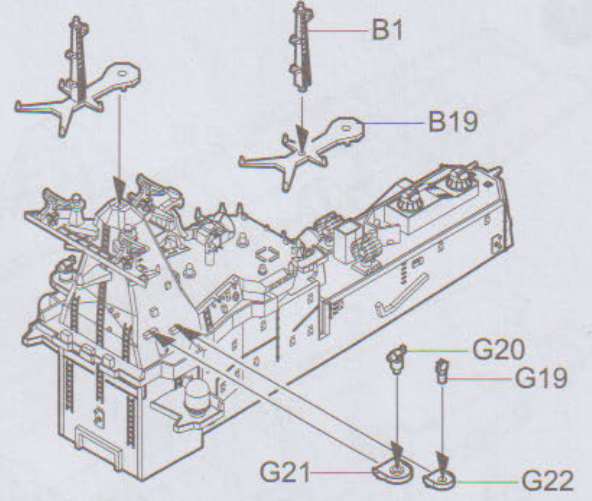
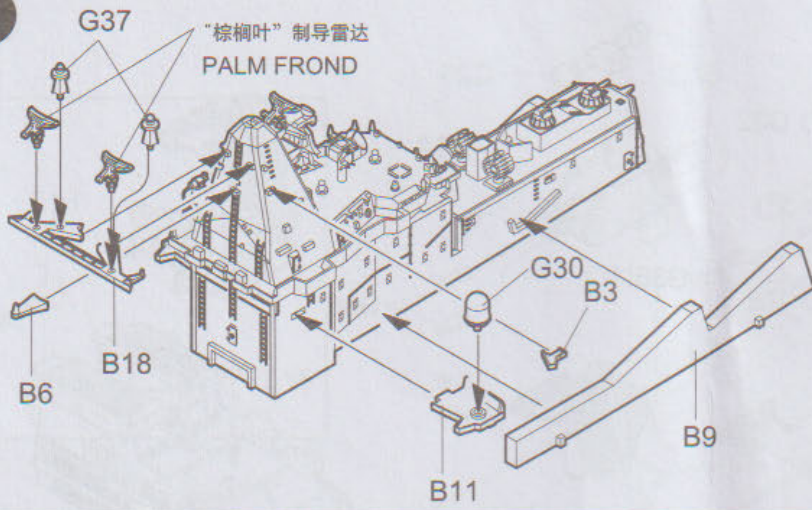
2



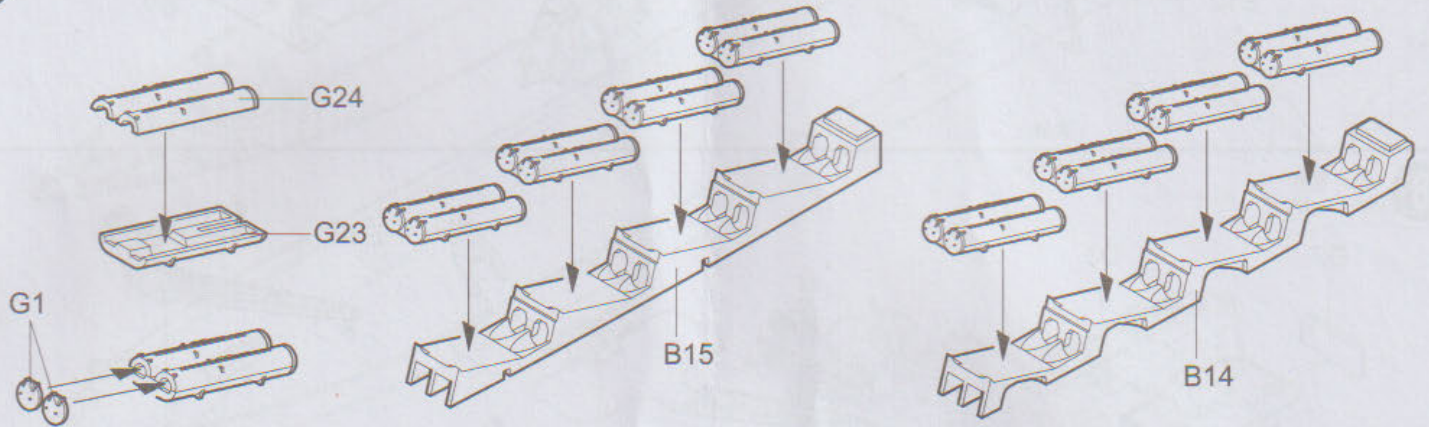
3



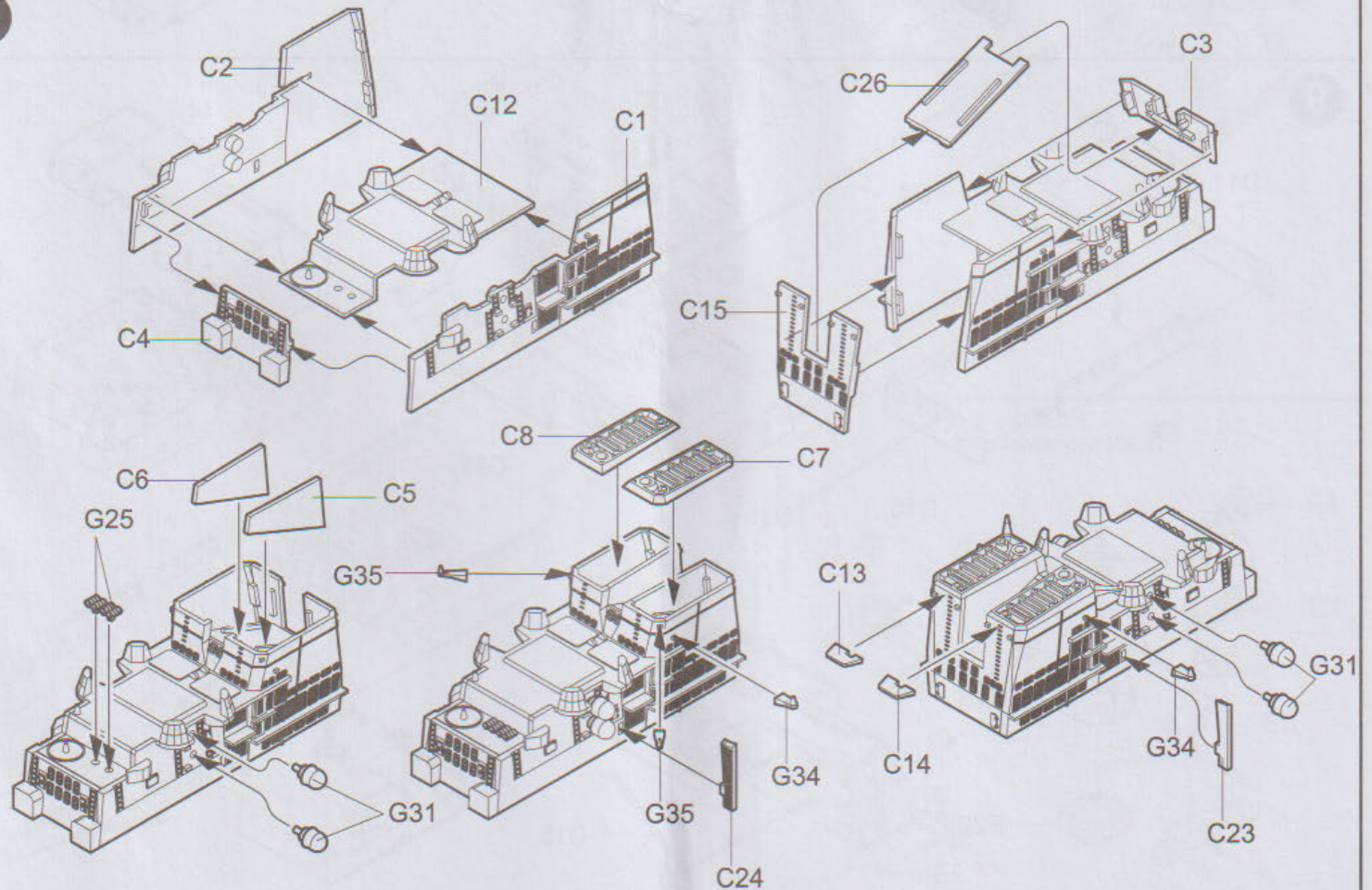
4



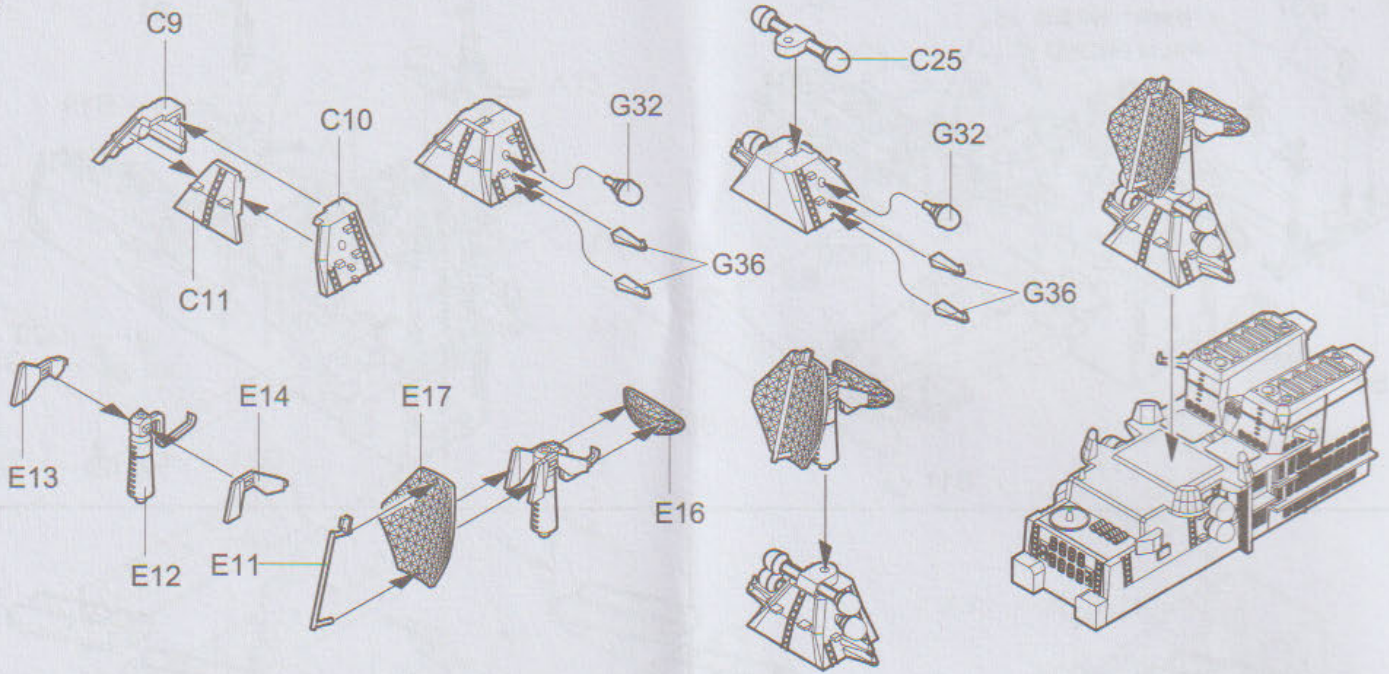
5



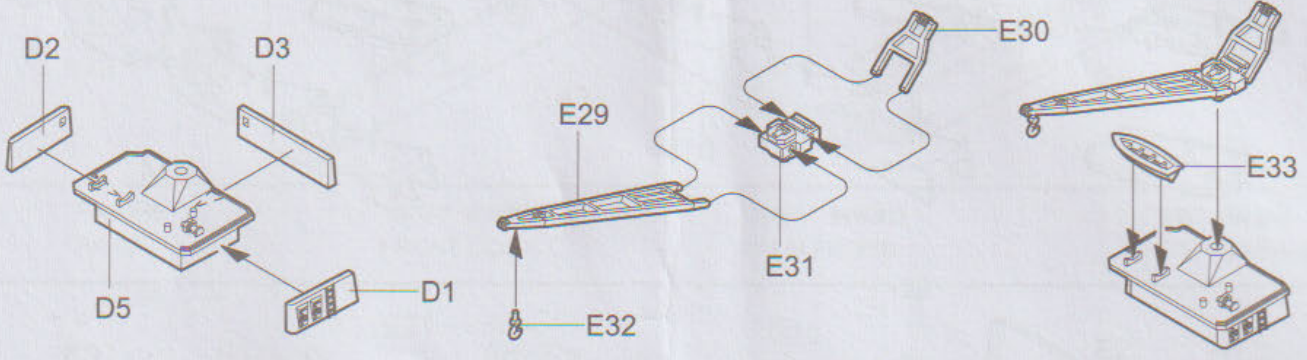
6



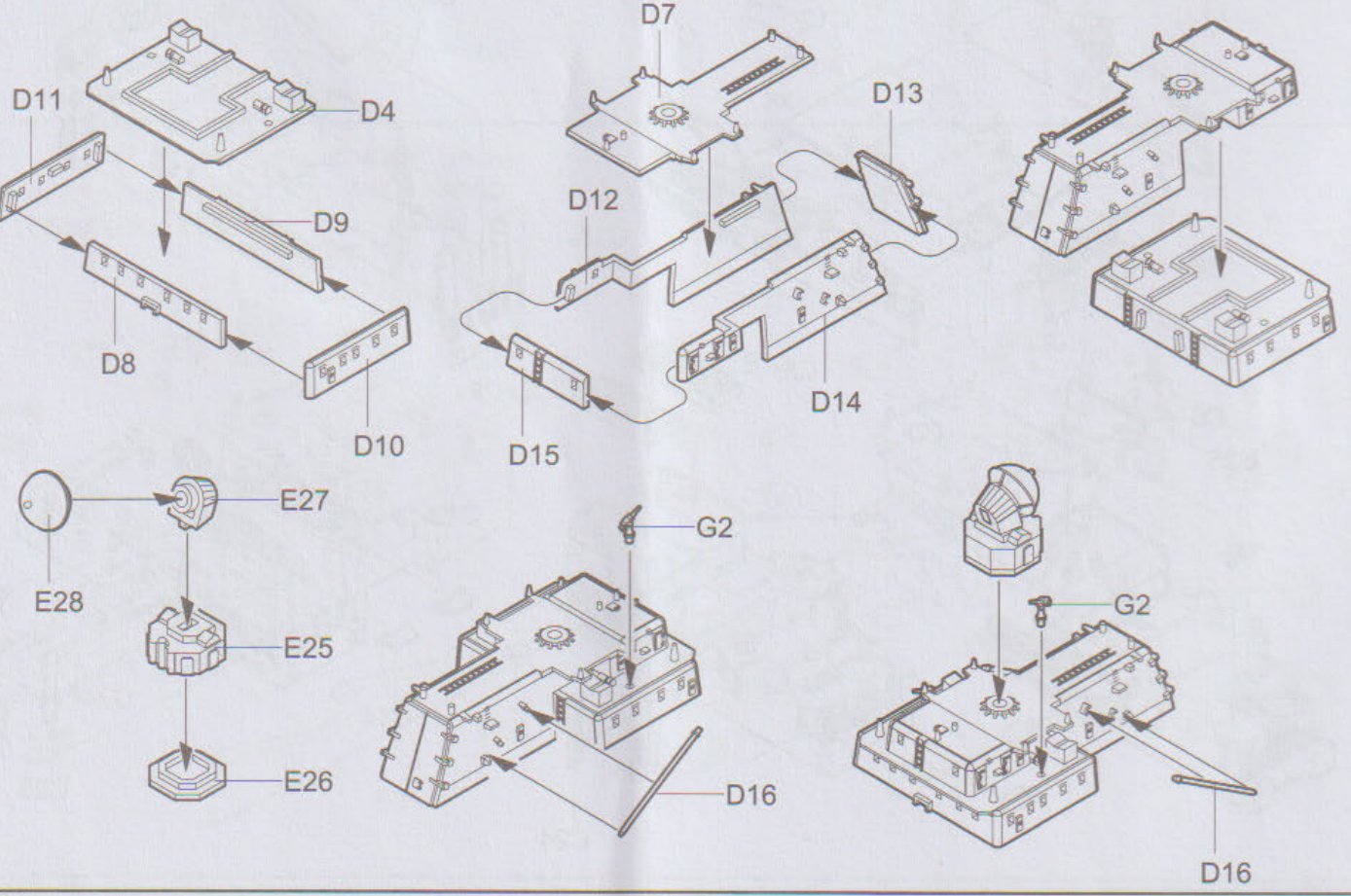
7



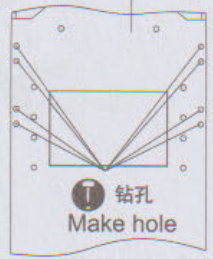
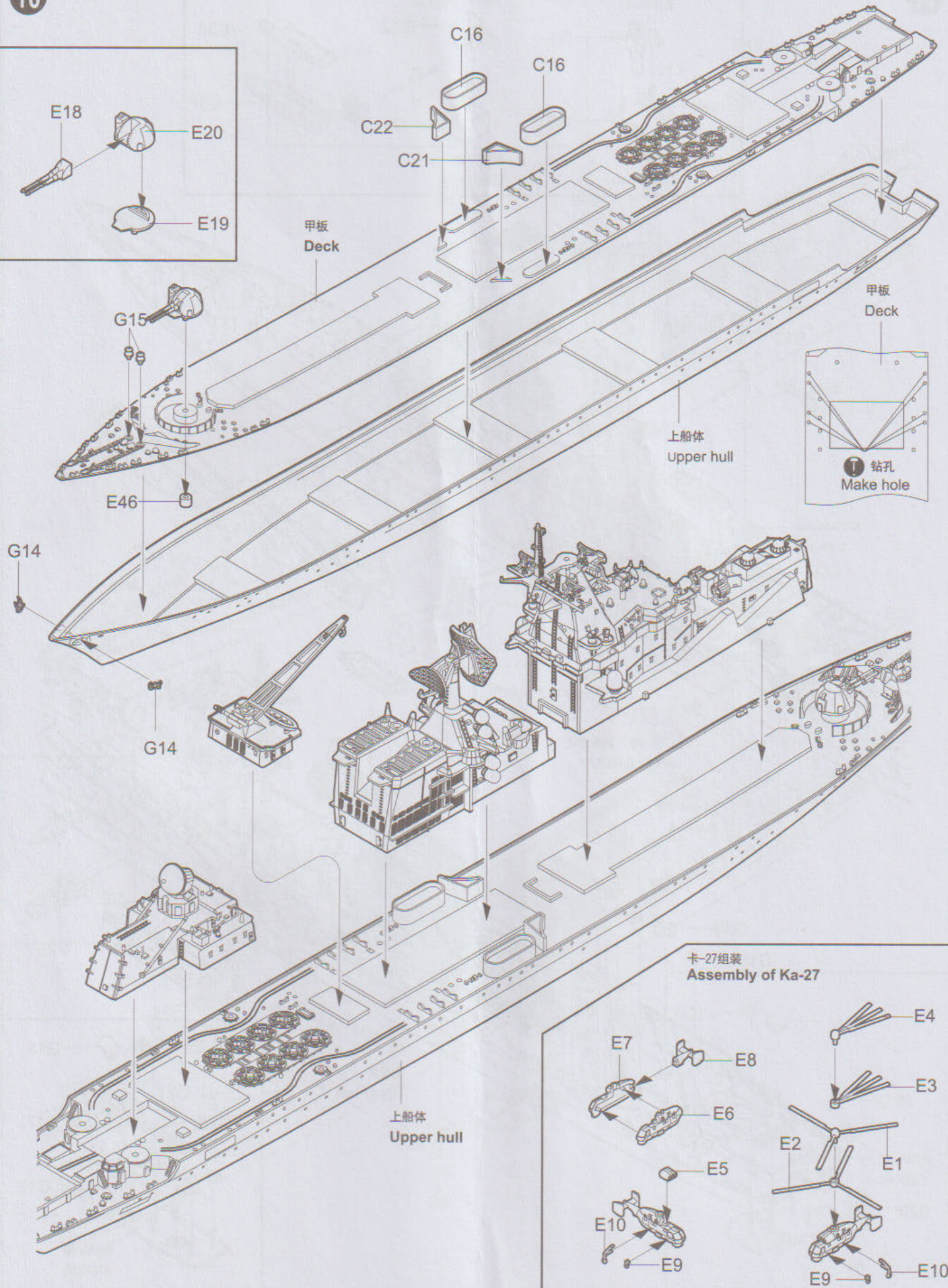
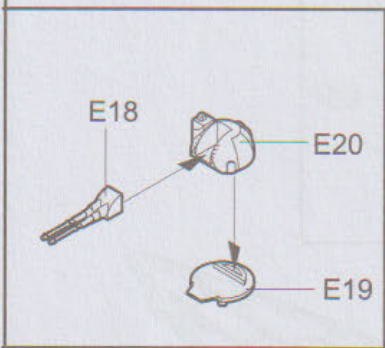
8



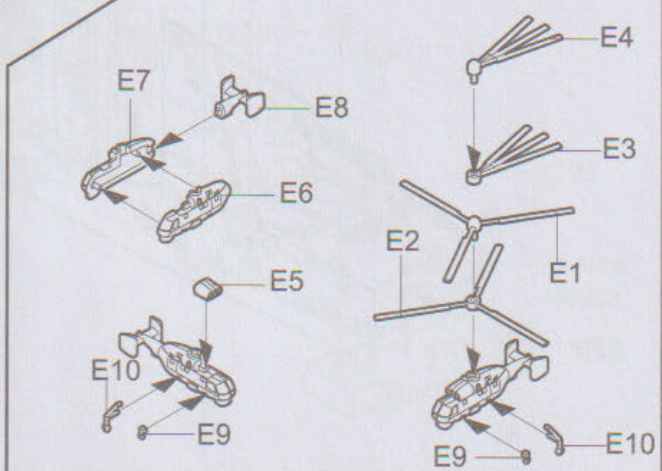
9

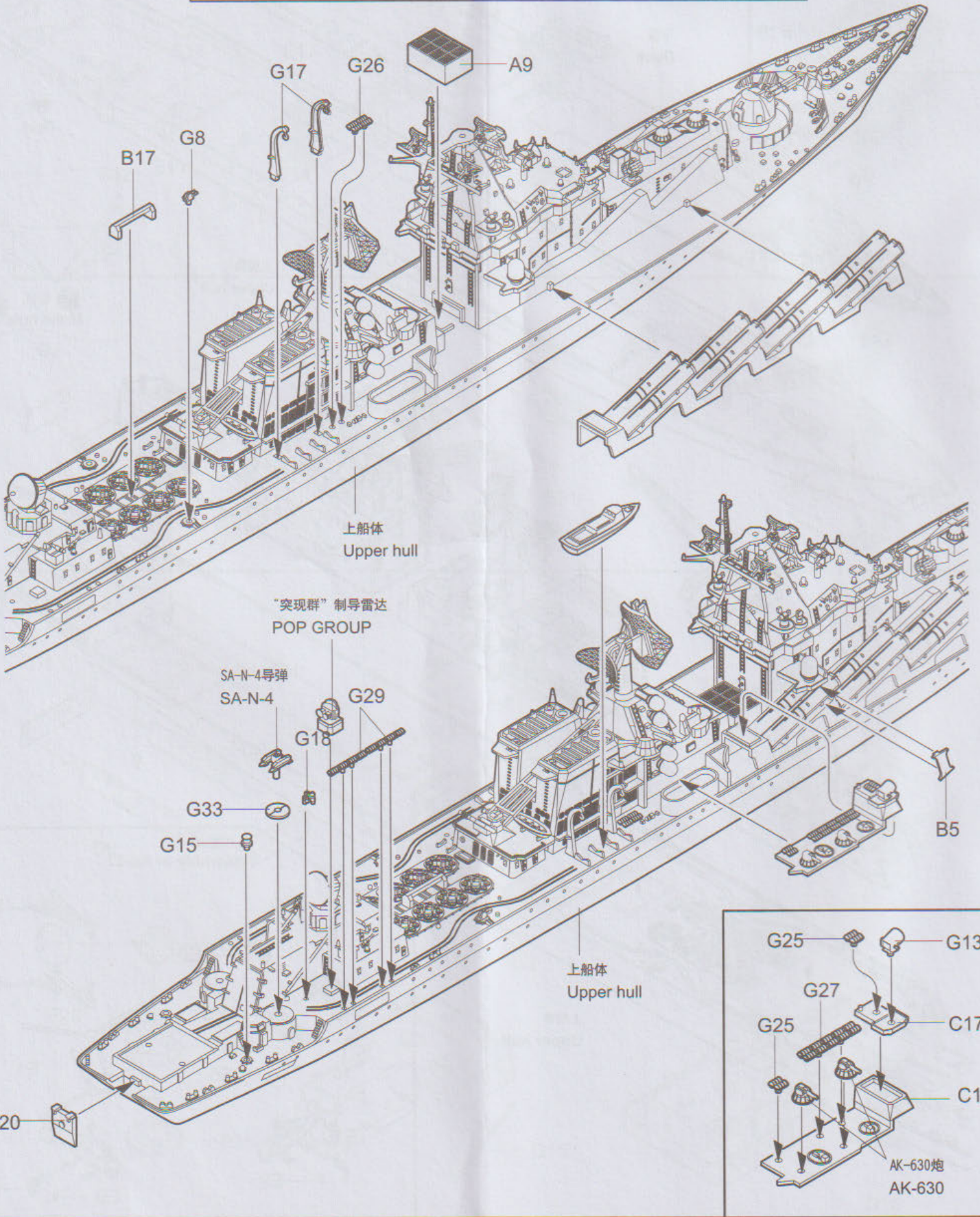
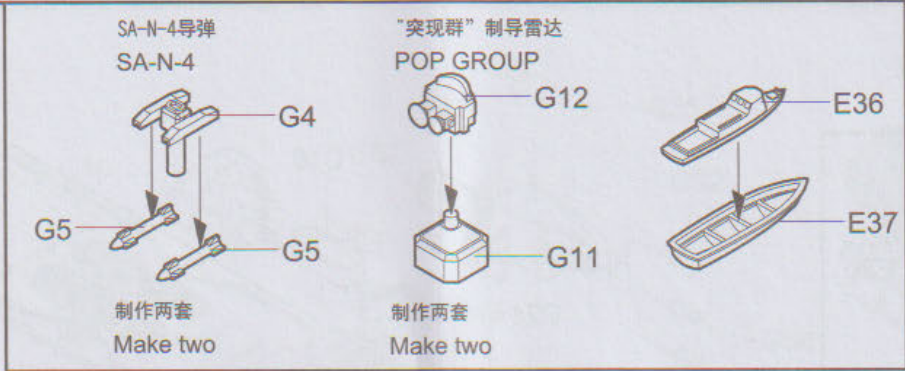


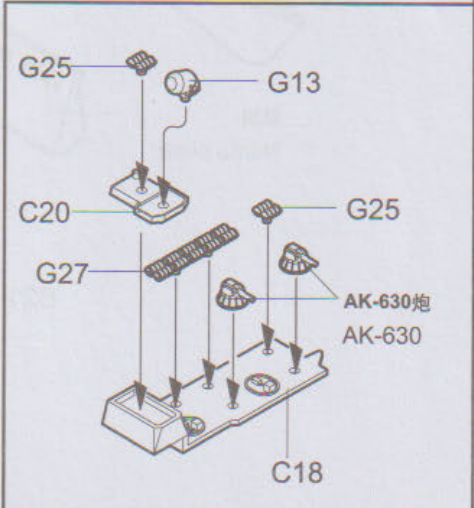
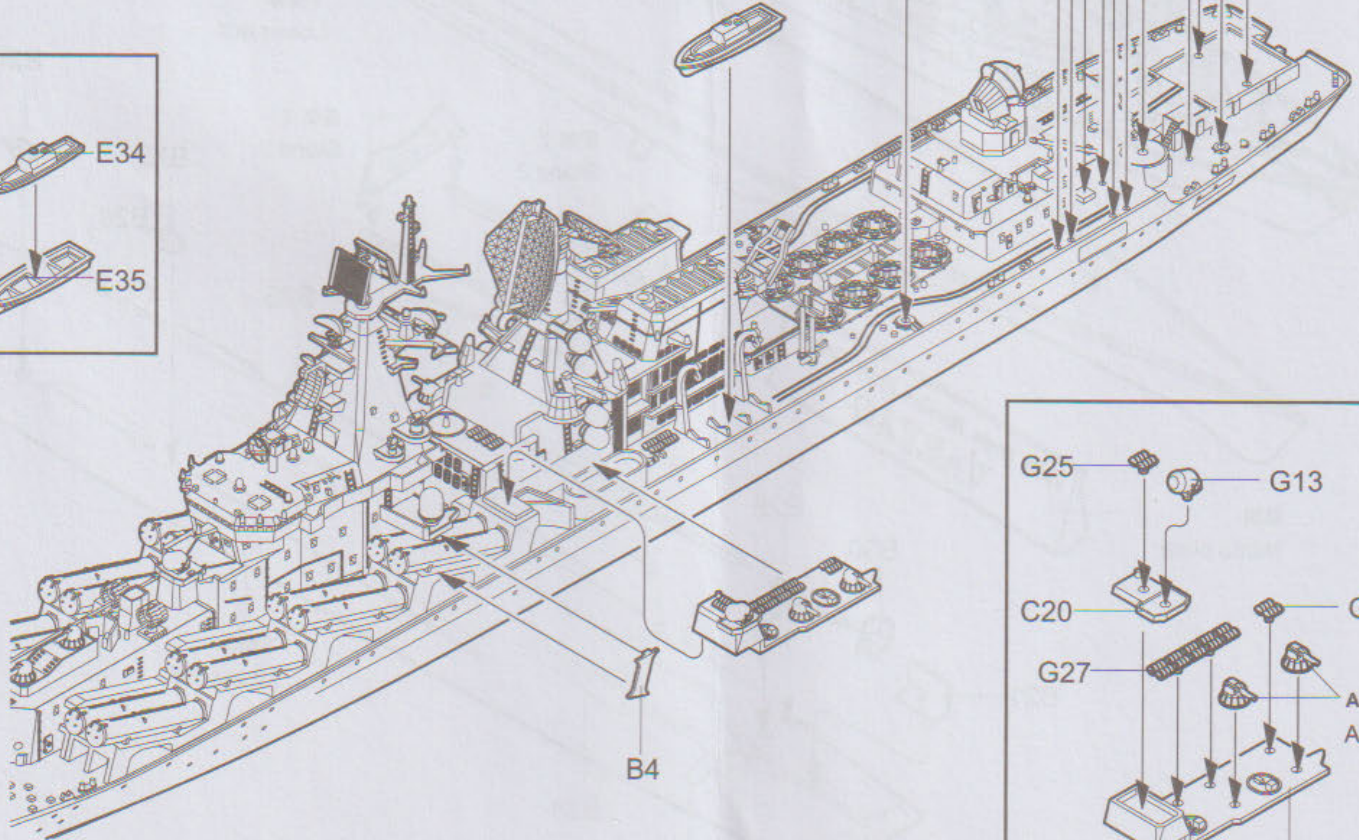
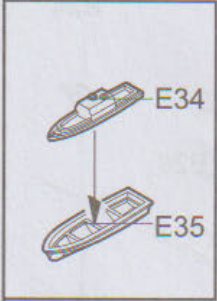
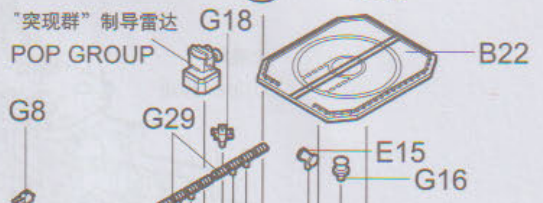
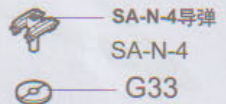
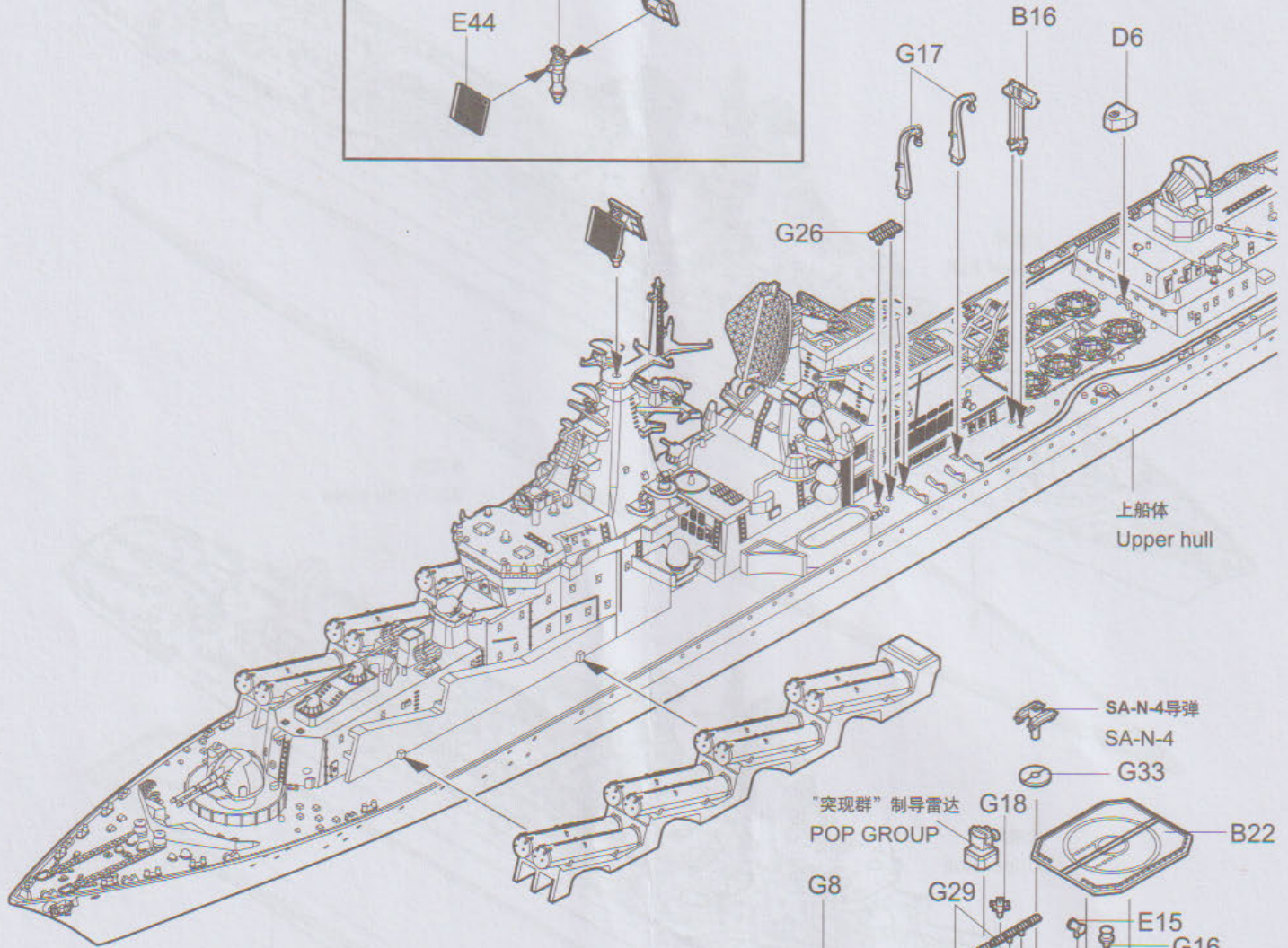
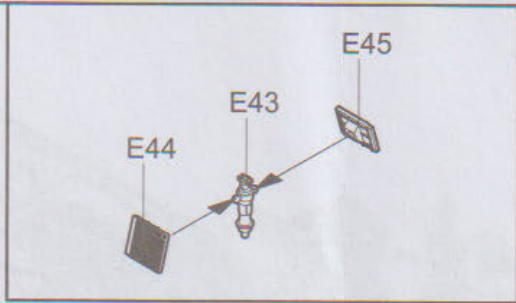
10

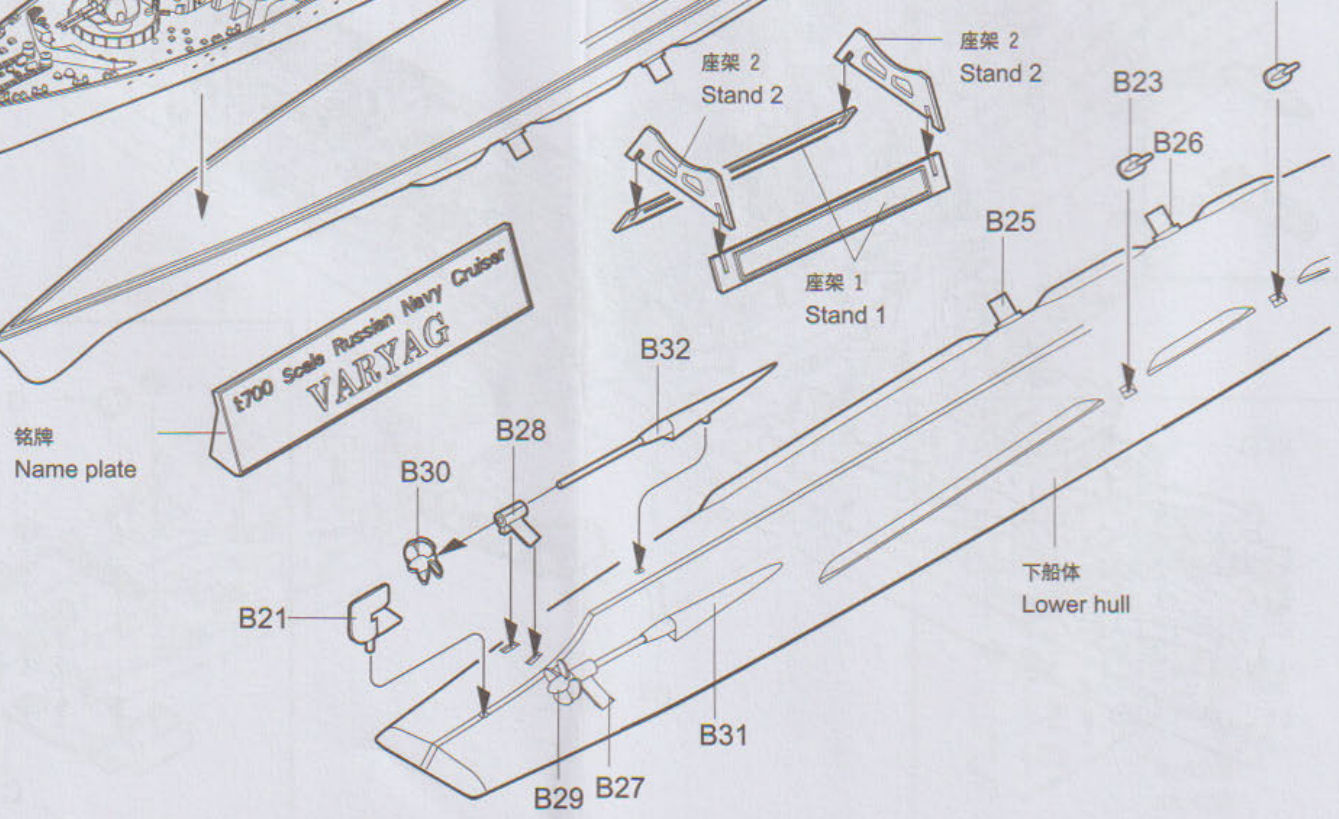
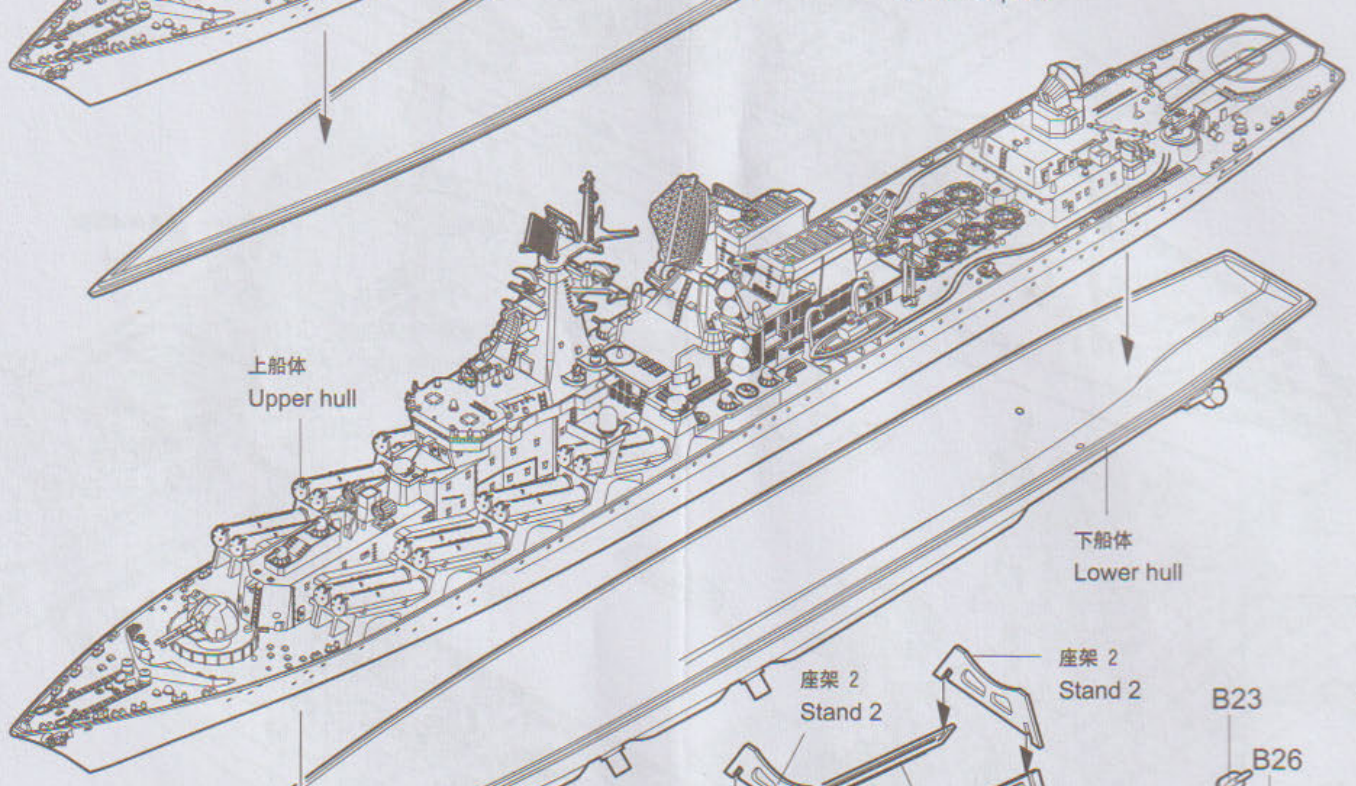
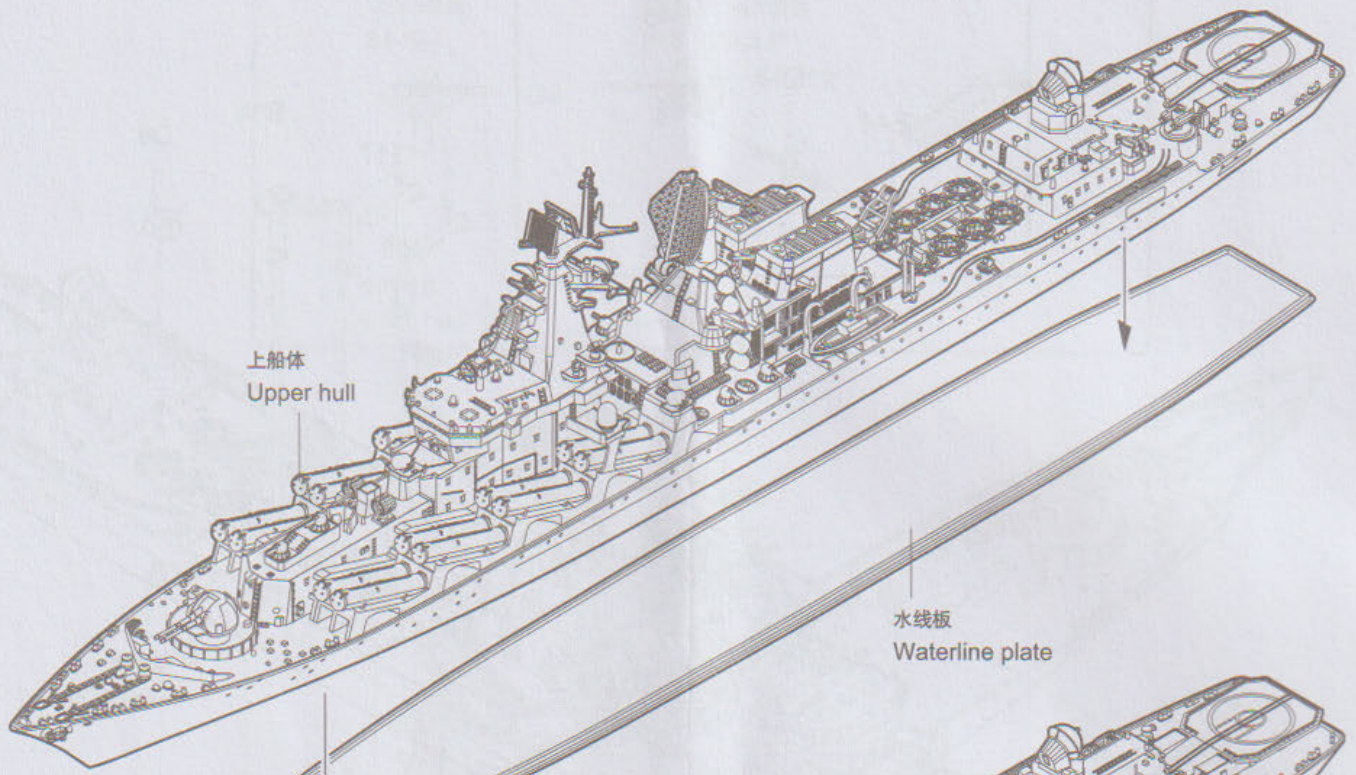


卡-27组装  
Assembly of Ka-27







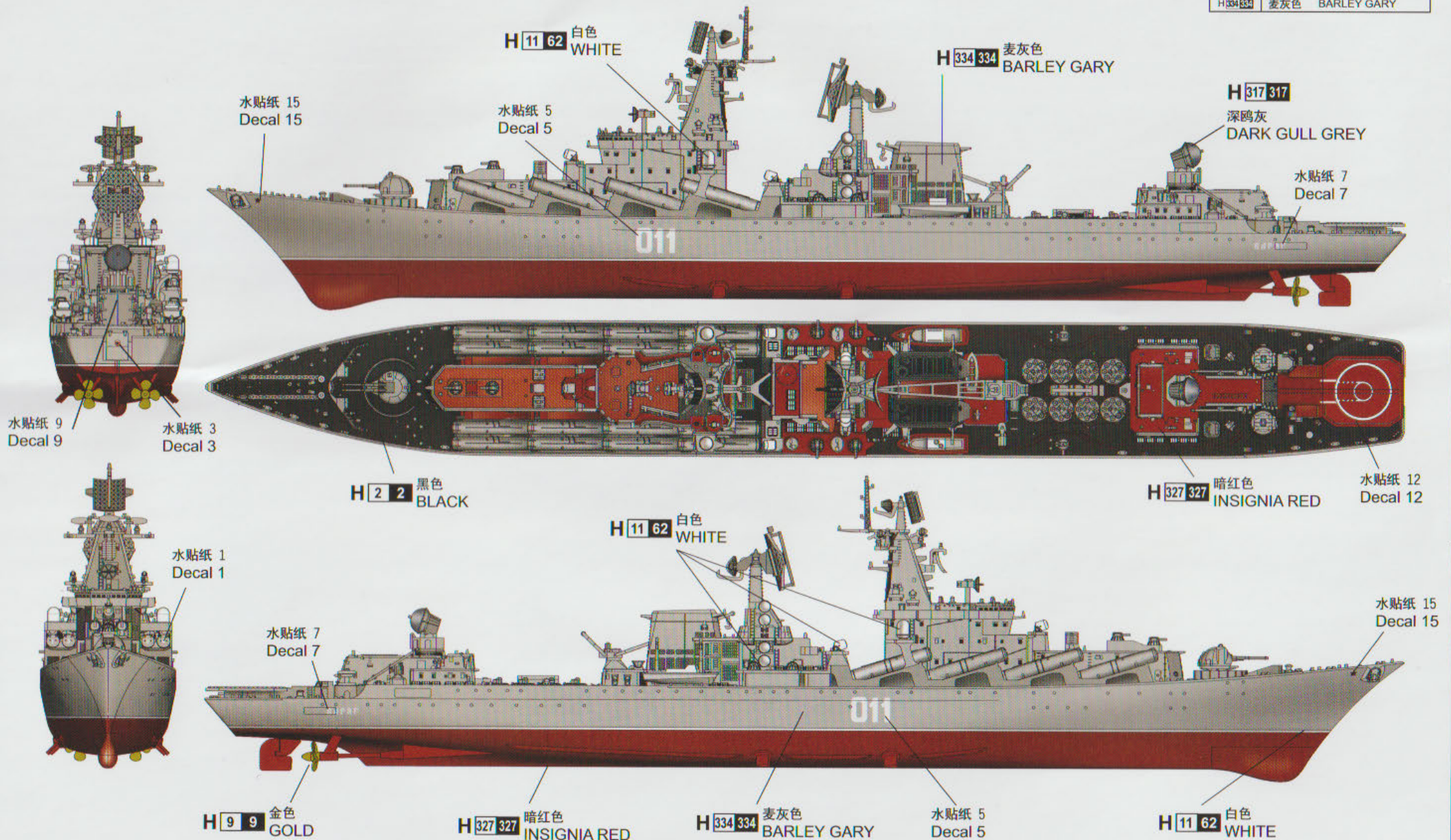


# 涂装同标贴指示 Painting & Marking guide

郡仕色使用

Gunze Mr. color used

Gunze		
H 2 2	黑色	BLACK
H 9 9	金色	GOLD
H 11 62	白色	WHITE
H 317 317	深鸥灰	DARK GULL GREY
H 327 327	暗红色	INSIGNIA RED
H 334 334	麦灰色	BARLEY GARY



H 8 GUNZE SANGYO AQUEOUS HOBBY COLOUR

H 8 GUNZE SANGYO MR.COLOUR