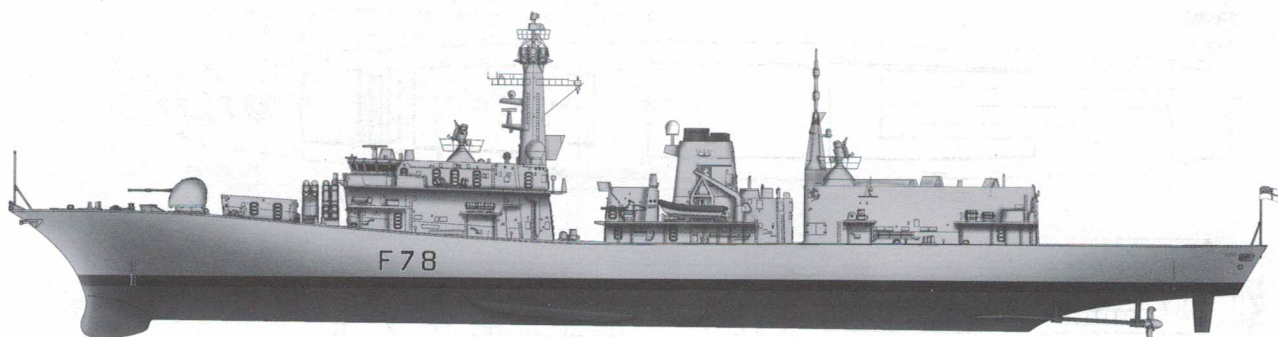


# HMS TYPE 23 Frigate - Kent(F78)

英国皇家海军23型护卫舰-“肯特”号(F78)



## READ BEFORE ASSEMBLY:

- Study and understand these instructions thoroughly before beginning assembly
- When needed, remove photo-etch parts carefully using a modeling knife or photo etch sprue cutter, being careful not to damage or lose small parts.
- Take extra care in handling photo etch parts in order to avoid injury
- Apply instant cement sparingly to photo etch parts where instructed
- Tools recommended(not included in kit):Plastic and instant cements,sprue cutters,long nose pliers,,modeling knife, small files, tweezers, pin vise & scissors. Soft cloth and sandpaper will also assist in construction
- Glue and paint are not included in the kit. Use plastic cement and hobby paints only. Color guide for purchasing paint is included in the kit.

## 装配之前仔细阅读

- 小心用模型锉刀锉平所有零件表面的注射浇口。
- 小心用刀片切下蚀刻片零件，不要遗失小零件。
- 用强力快干胶水粘合蚀刻片零件和金属轴。过量的快干胶水使用可能导致可动零件会粘住，小心涂胶。
- 取蚀刻片时应特别注意安全，防止利边划伤手指。
- 某些零件表面需贴水上贴纸，请选择在装配的同时进行。
- 推荐模型工具(自备)：胶水，水口剪刀，长咀钳，刀片，锉刀，镊子，钳，钻，剪刀，瞬间快干胶。
- 软布同砂纸同时也应该是必备工具。
- 请使用塑料胶水和油漆，模型内不含。



贴纸  
Decal



锉平  
File / Sand



选择  
Option



不涂胶水  
No cement



弯曲  
Bend



使用强力胶  
Cyanoacrylate glue



配重  
Weight



钻孔  
Make hole



切除  
Cut / Remove

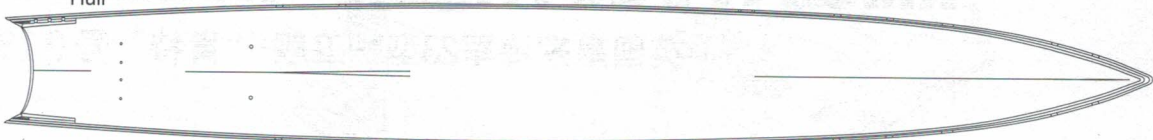
## 水贴纸的使用:

1. 从水贴纸上剪下印花;
2. 将印花放入温水中浸10秒, 然后放在干净布上。
3. 拿着印花纸板将印花移到模型上;
4. 手指蘸水将印花移到适当的位置;
5. 用软布轻压印花直至水干, 气泡消失。

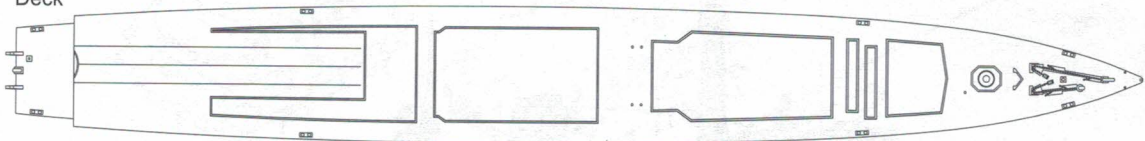
## DECAL APPLICATION

1. Cut off decal from sheet.
2. Dip the decal in tepid water 40°C for about 10 sec. and place on a clean cloth.
3. Hold the backing sheet edge and slide decal onto the model.
4. Move decal into position by wetting decal with finger.
5. Press decal gently down with a soft cloth until excess water and air bubbles are gone.
6. Allow decal to dry completely before handling model.

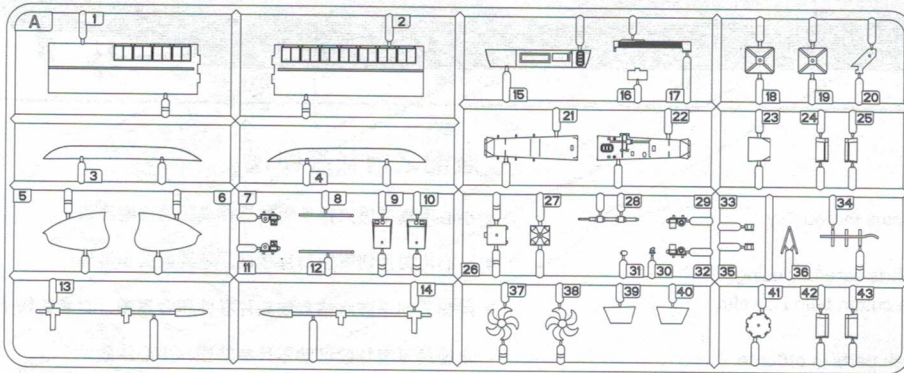
《船体》  
Hull



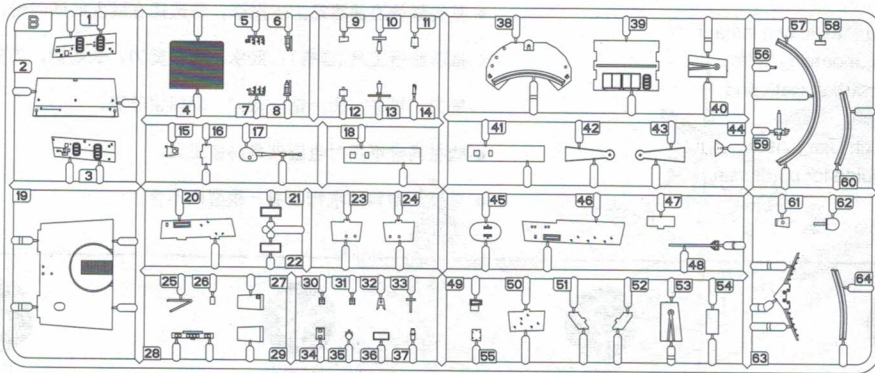
《甲板》  
Deck



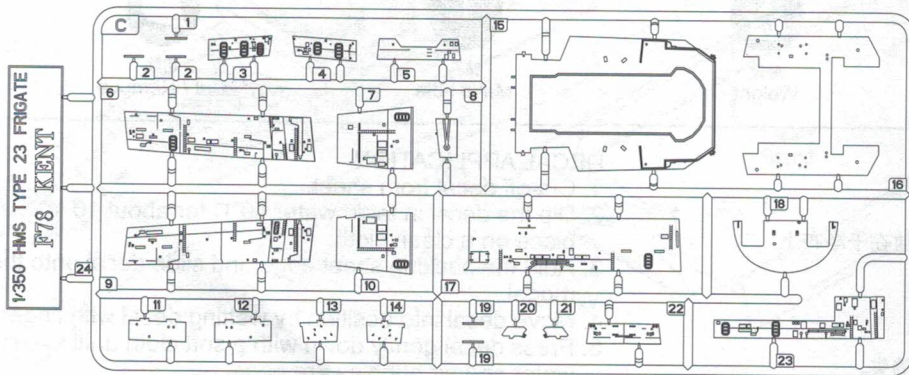
A



B



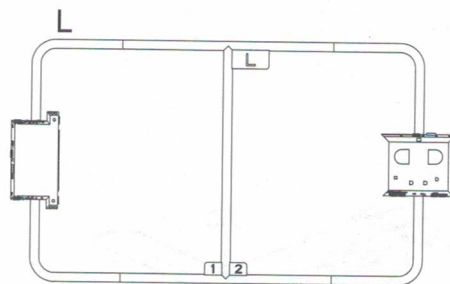
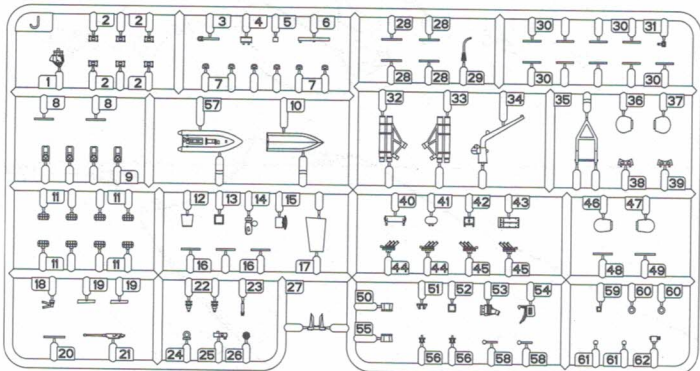
C



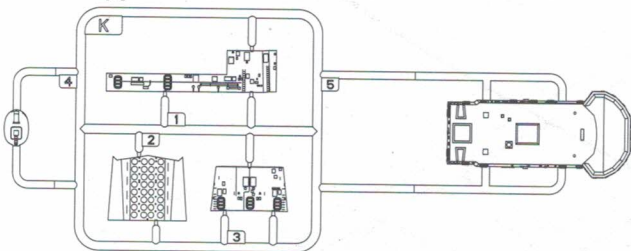
部品图

Parts

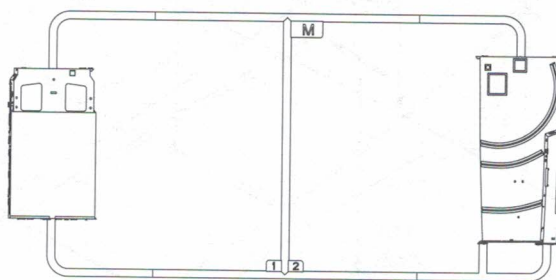
J x 2



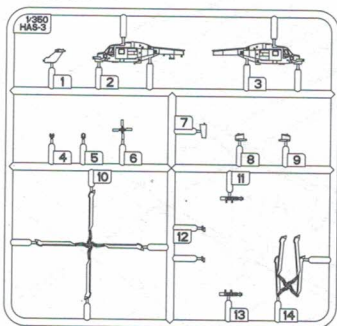
K



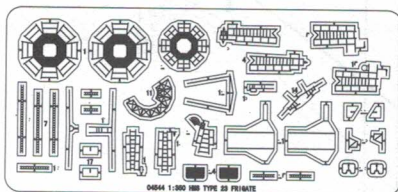
M



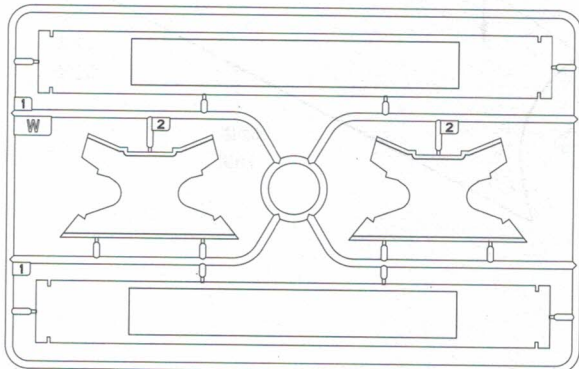
HAS-3



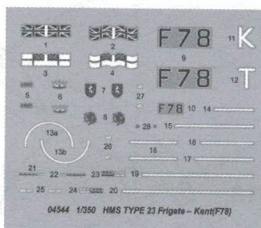
《蚀刻片》PE



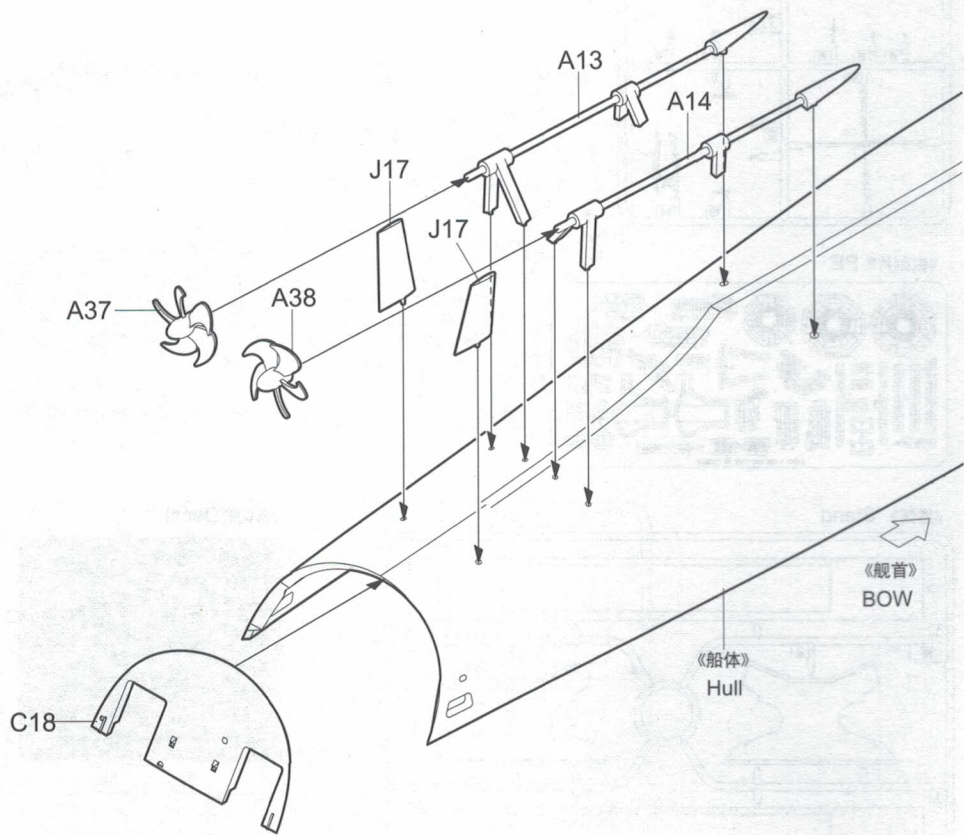
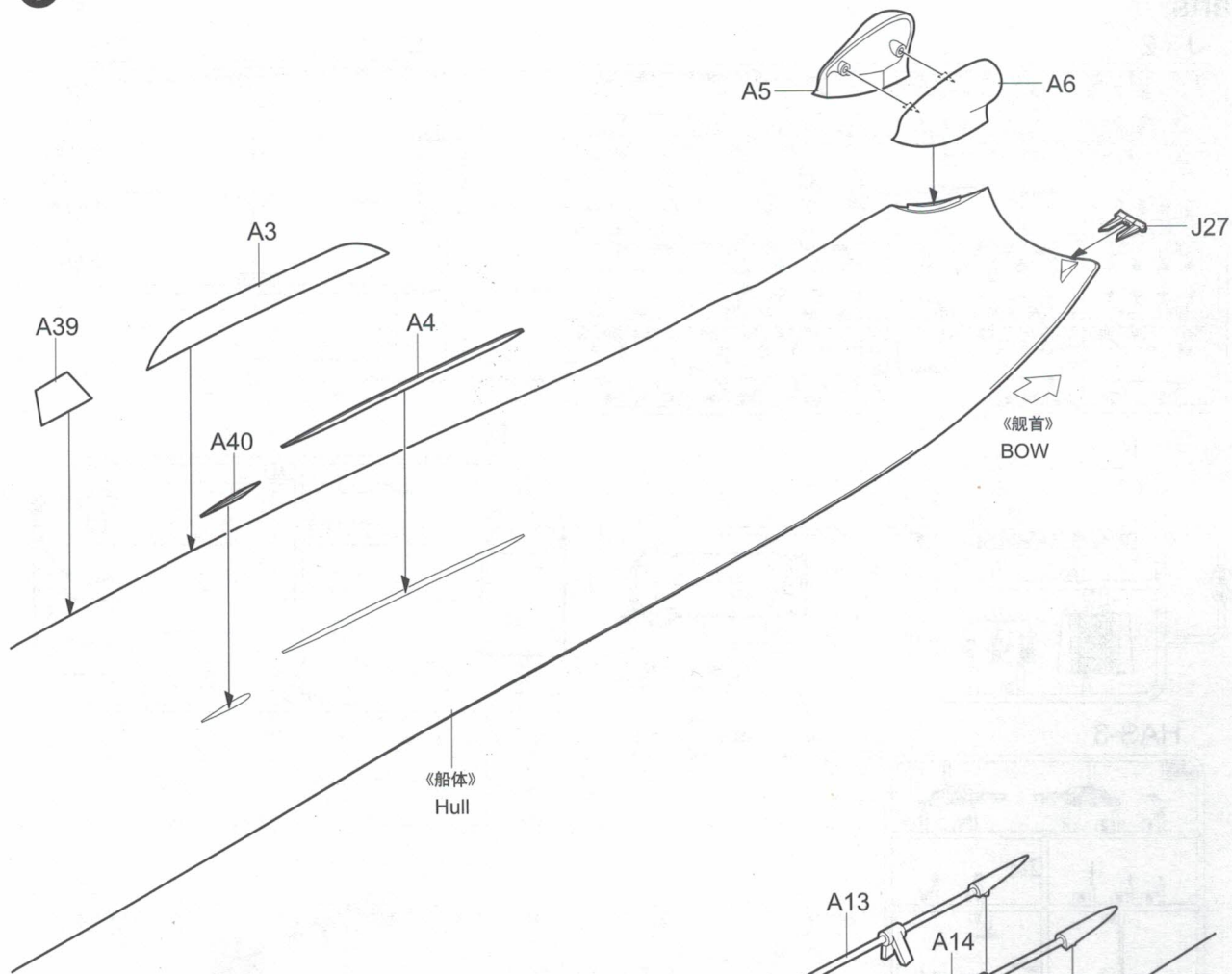
《座架》Stand



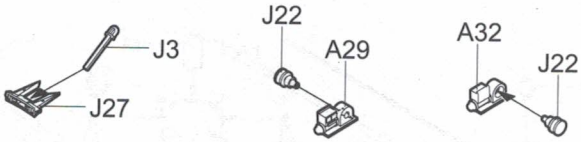
《水贴》Decal



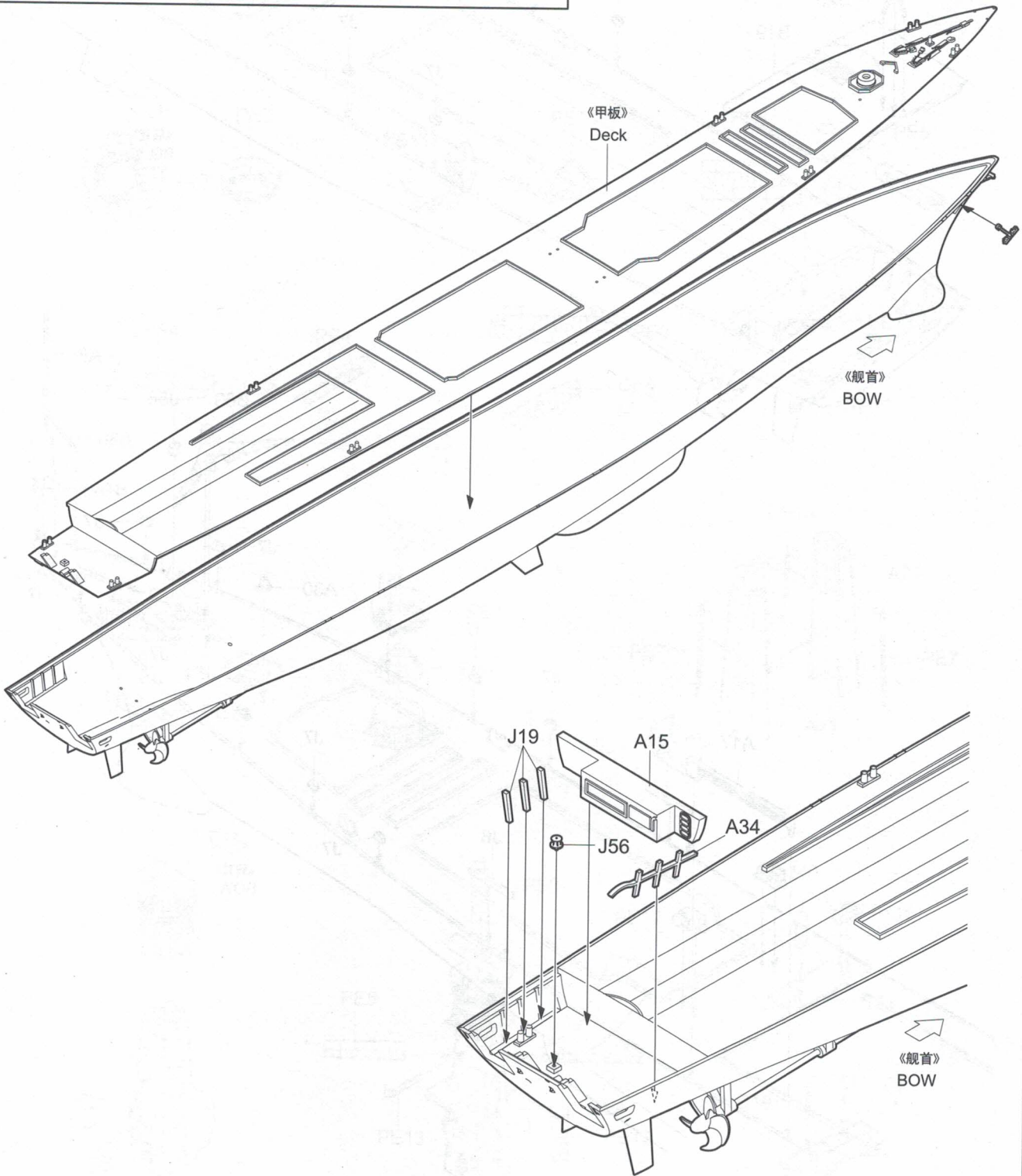
1



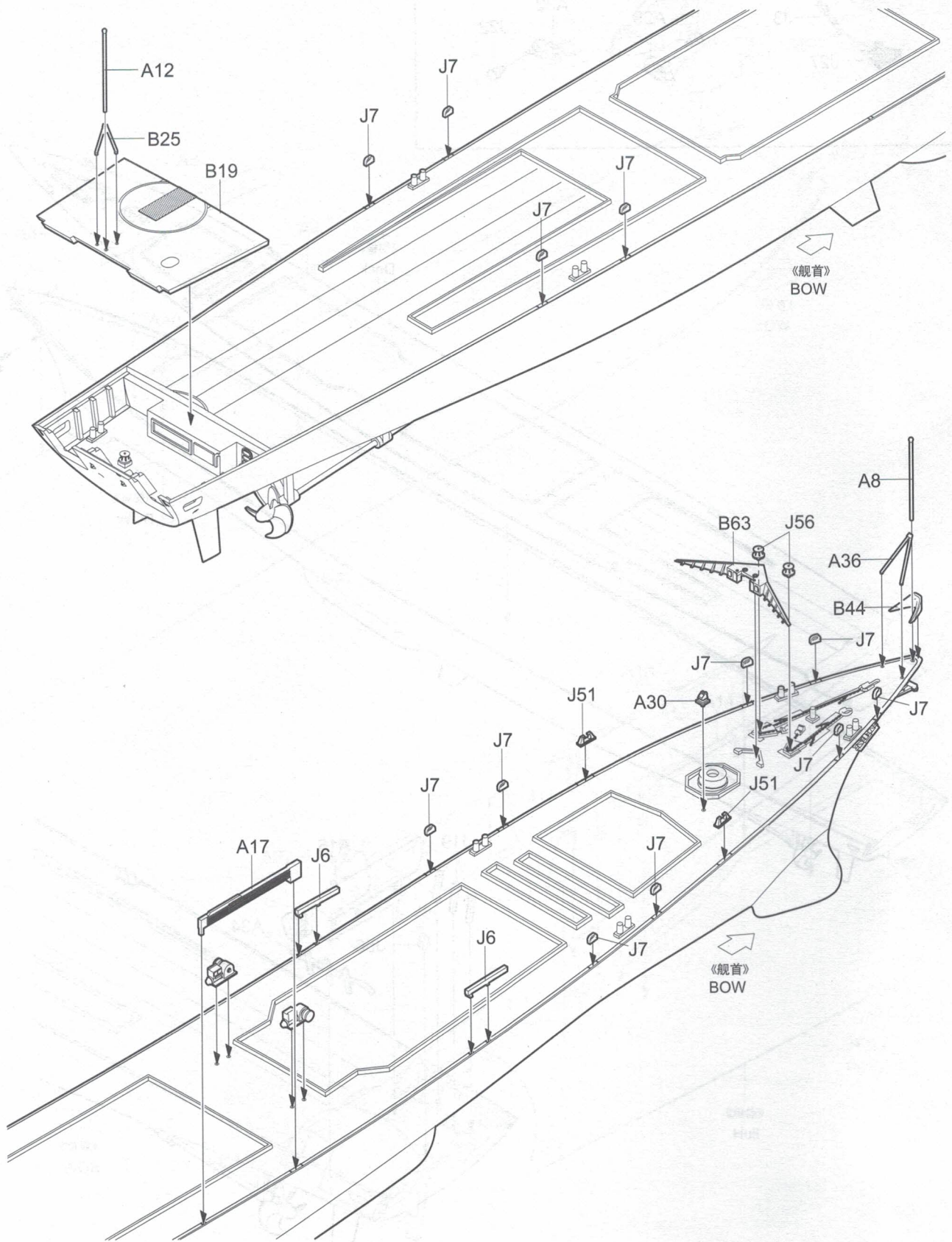
2



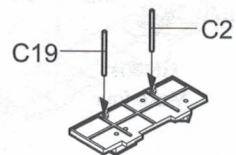
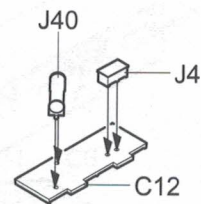
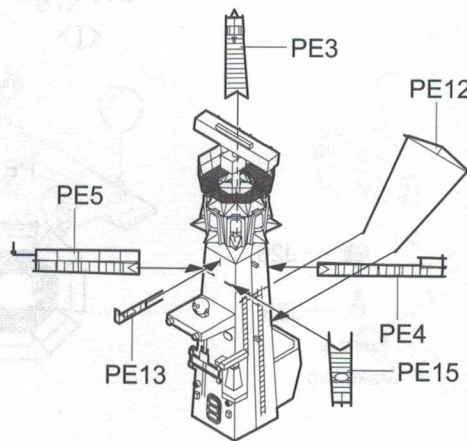
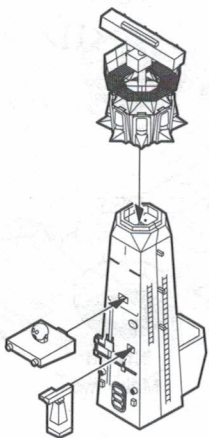
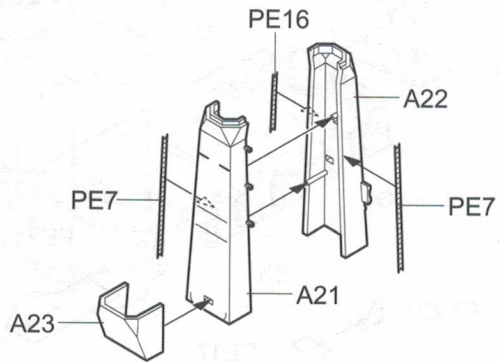
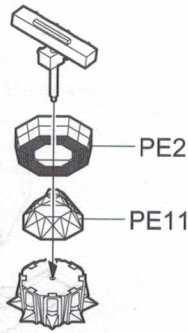
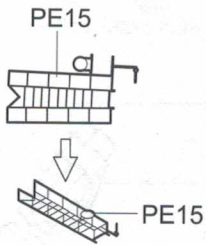
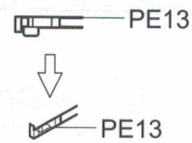
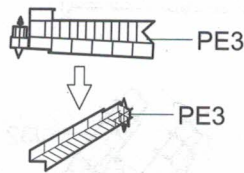
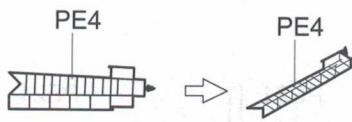
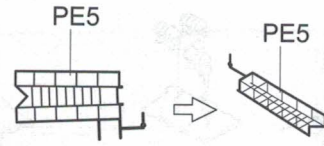
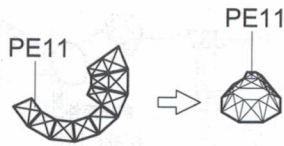
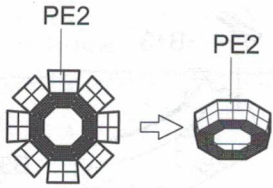
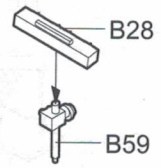
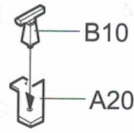
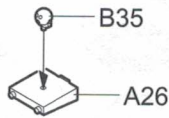
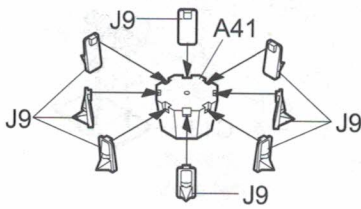
3



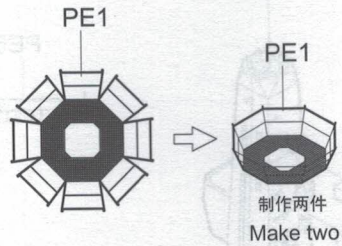
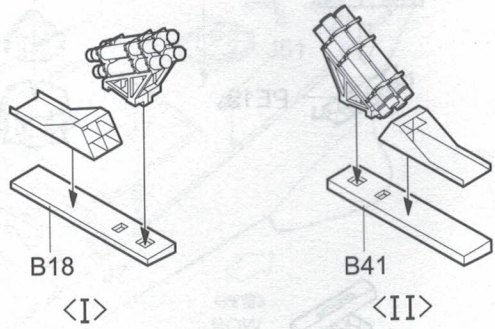
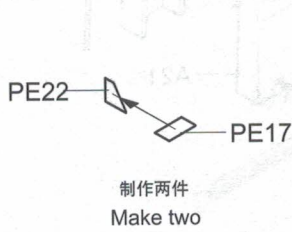
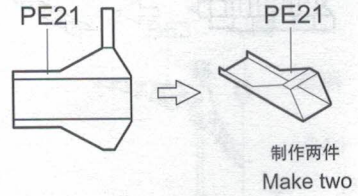
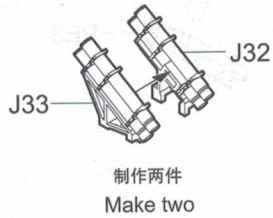
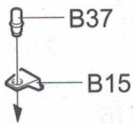
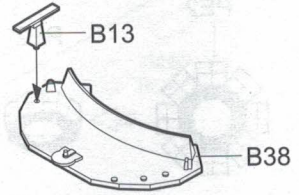
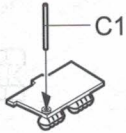
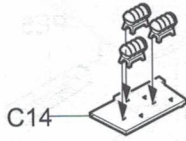
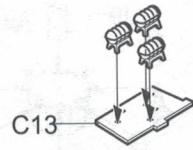
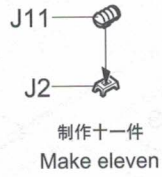
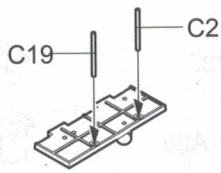
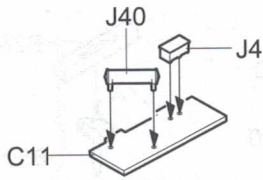
4



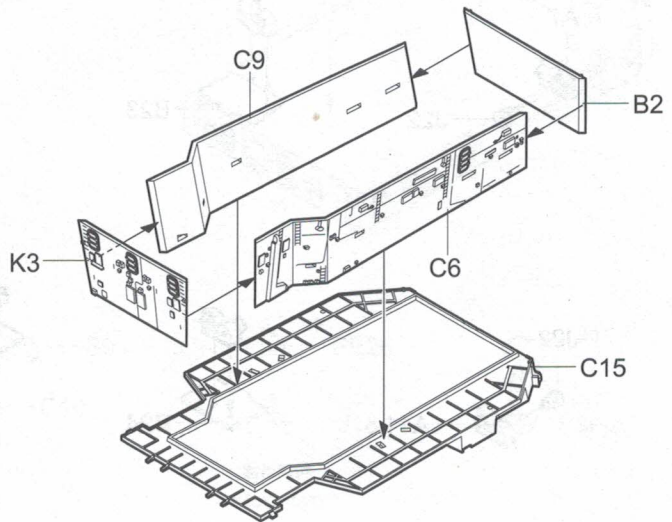
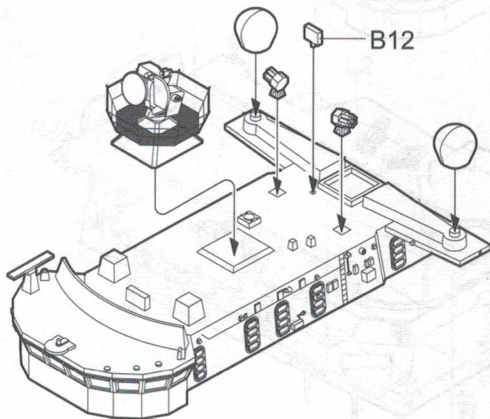
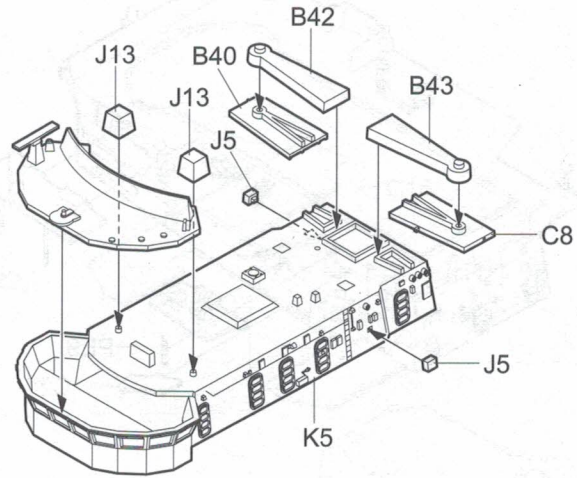
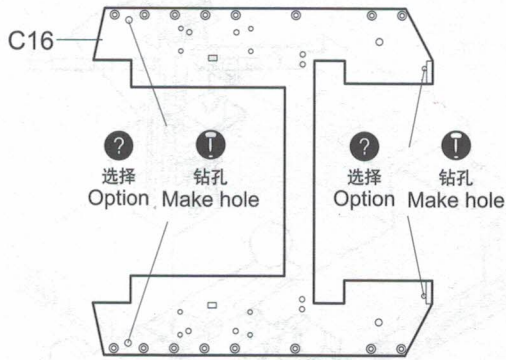
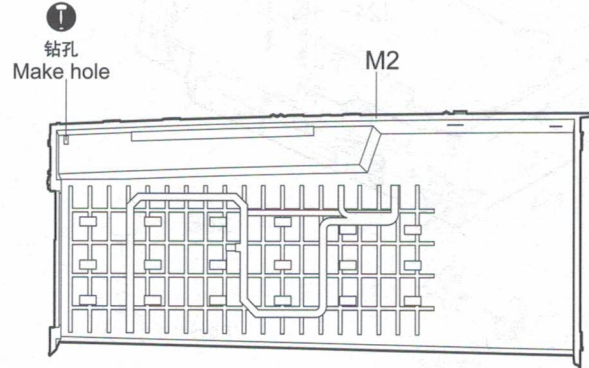
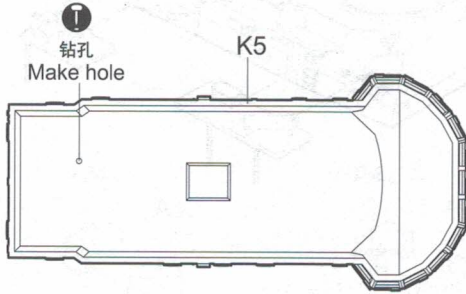
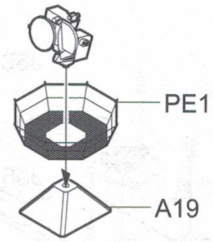
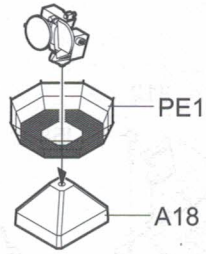
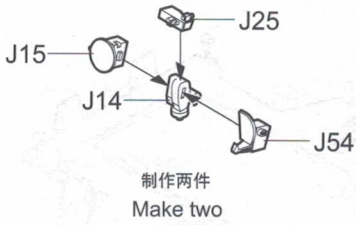
5

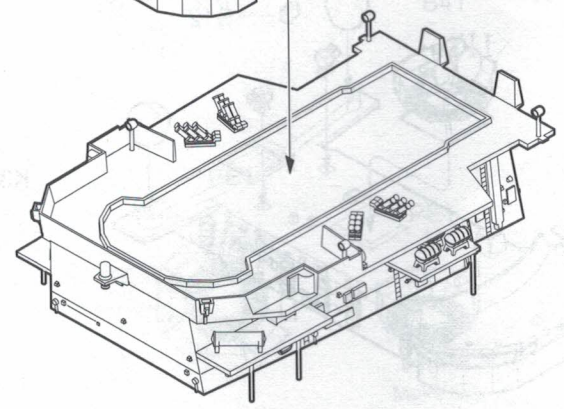
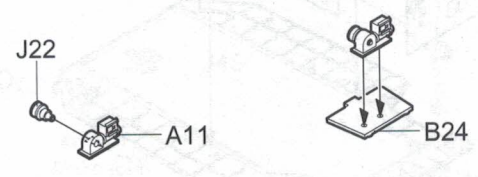
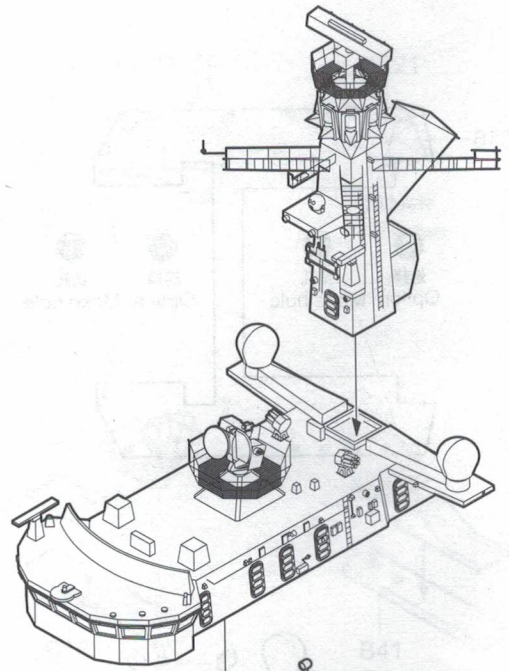
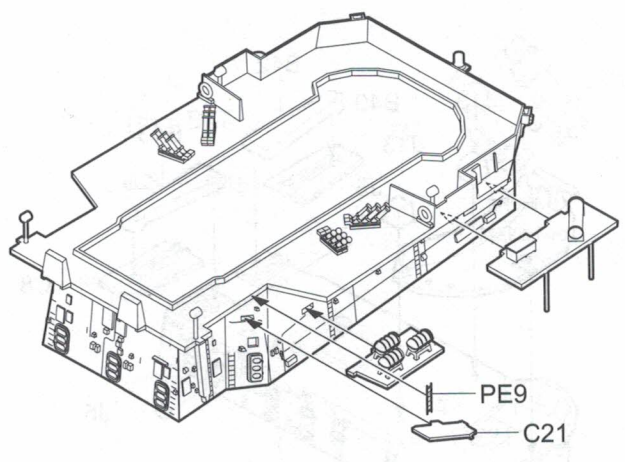
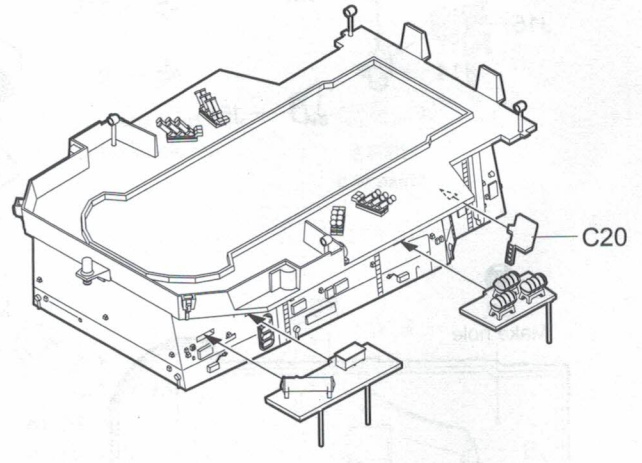
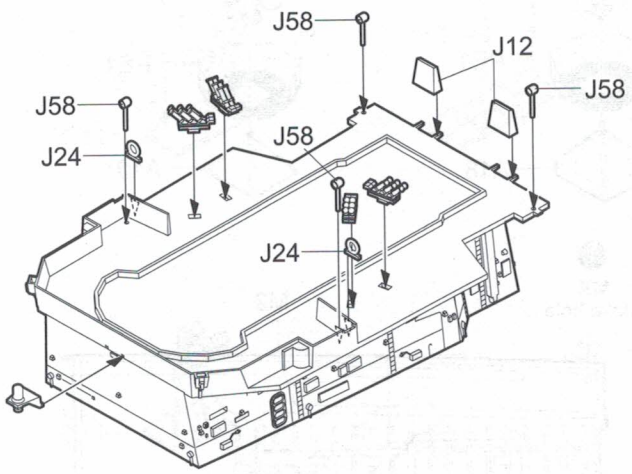


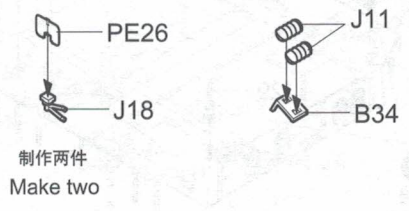
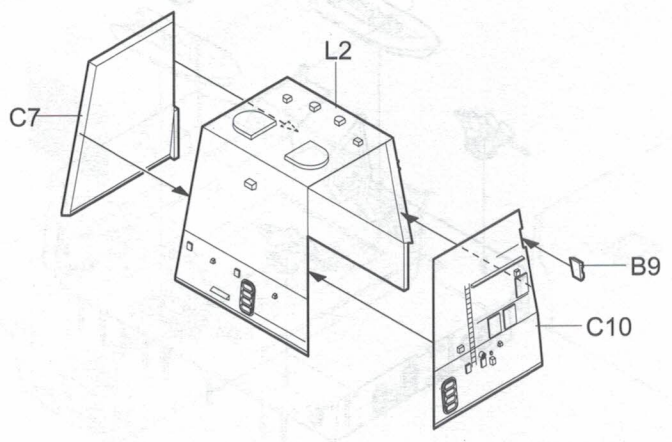
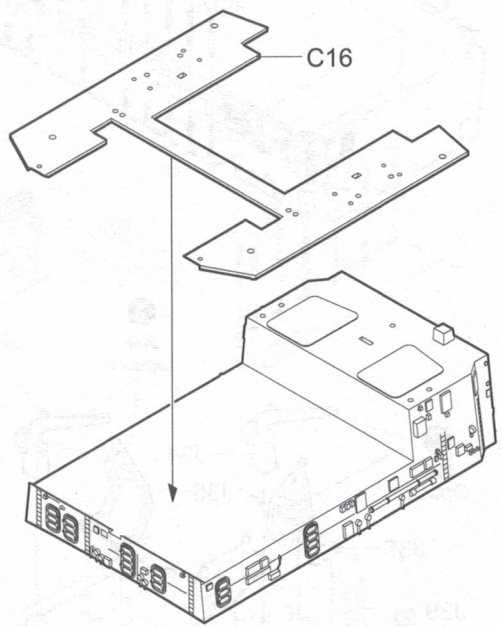
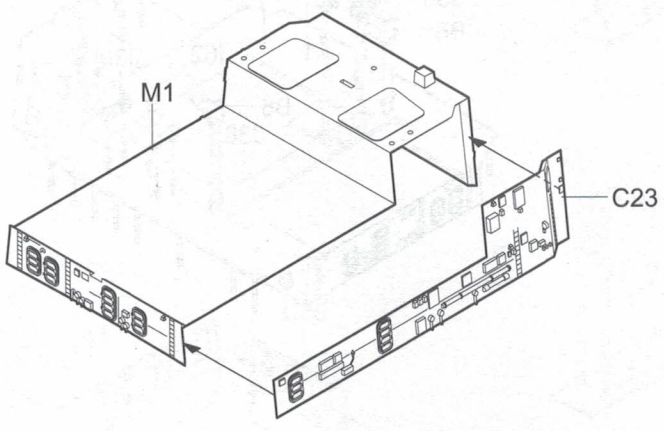
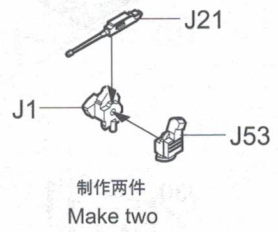
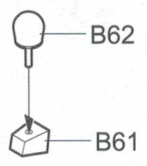
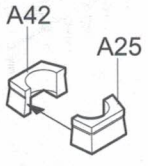
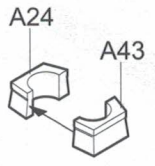
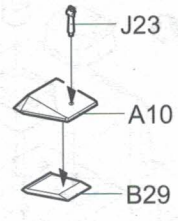
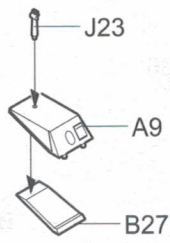
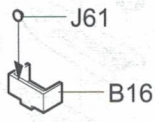
6



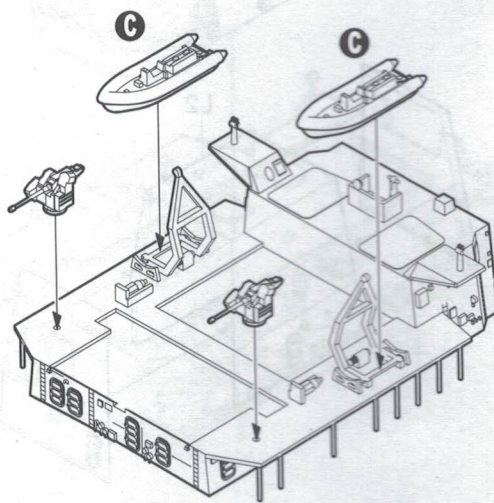
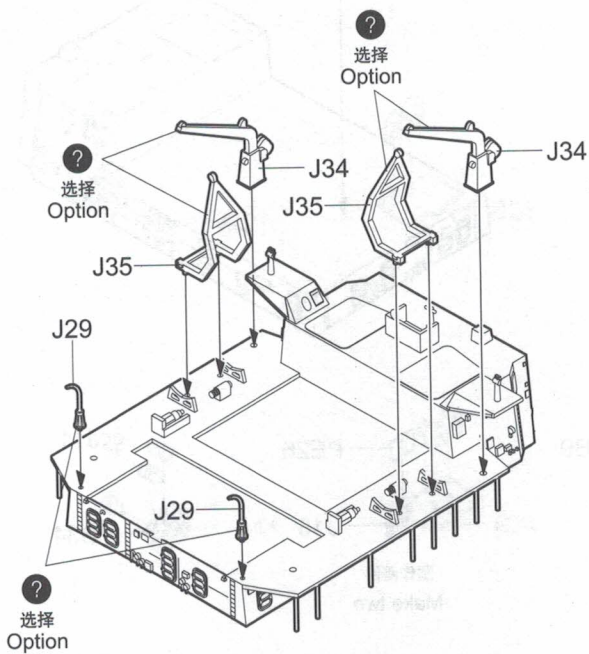
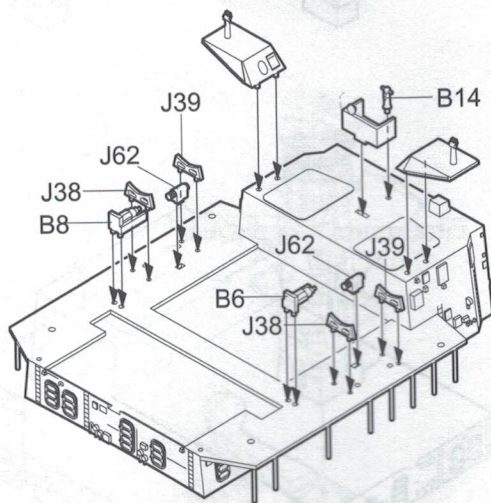
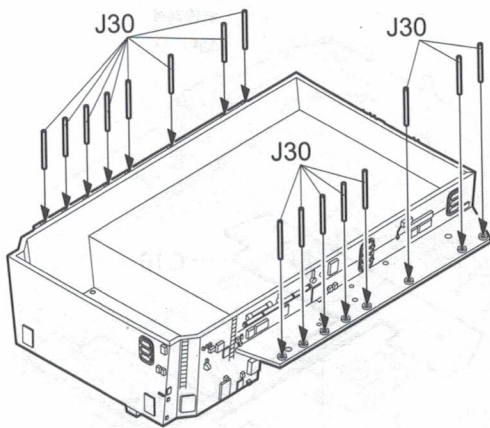
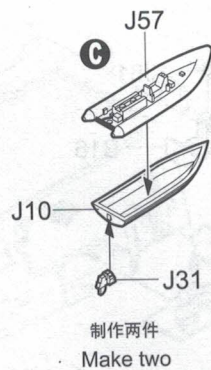
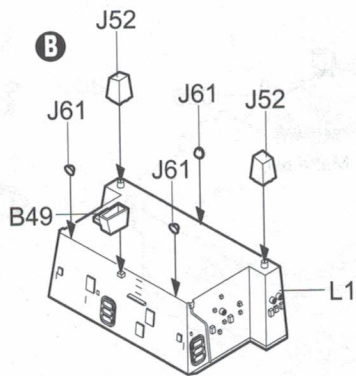
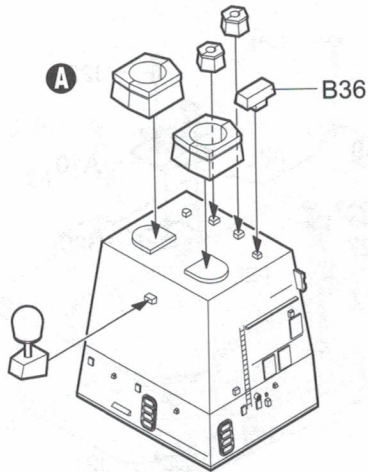
7



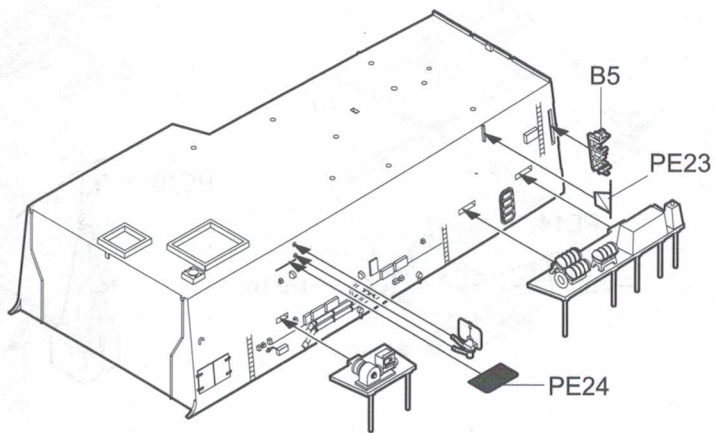
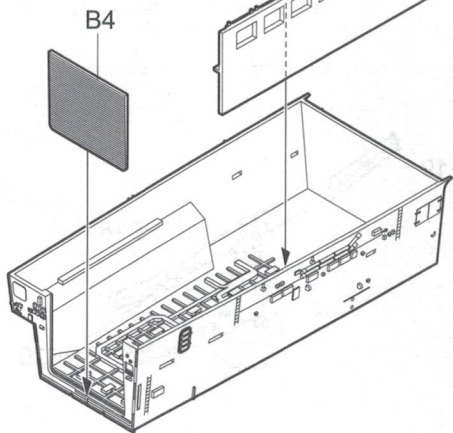
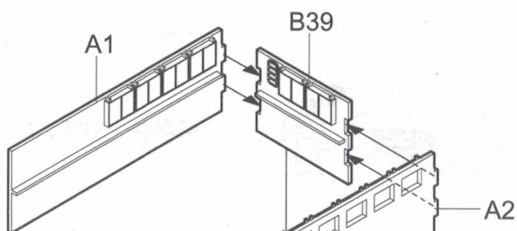
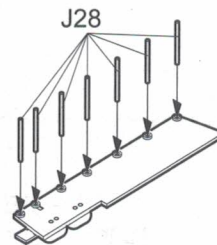
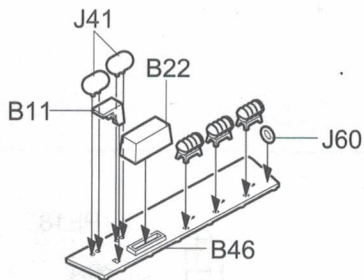
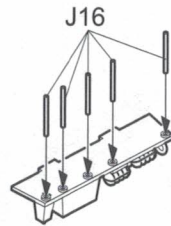
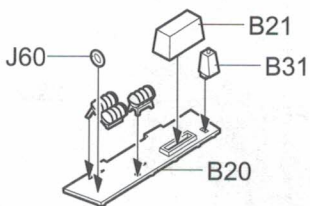
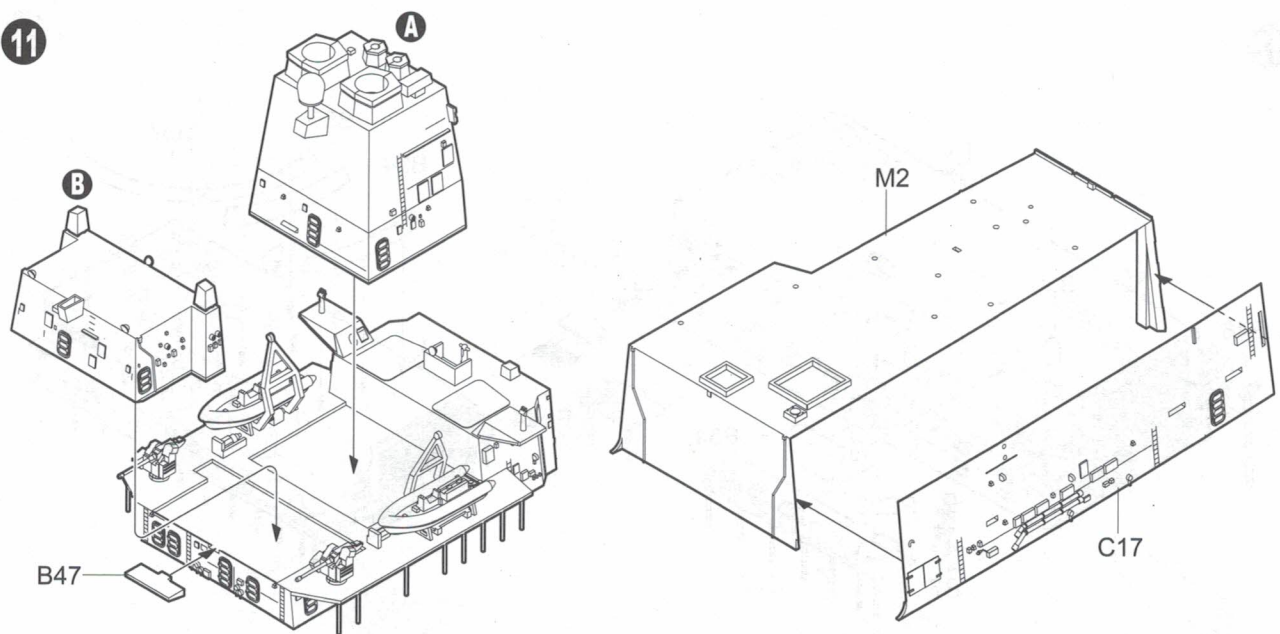


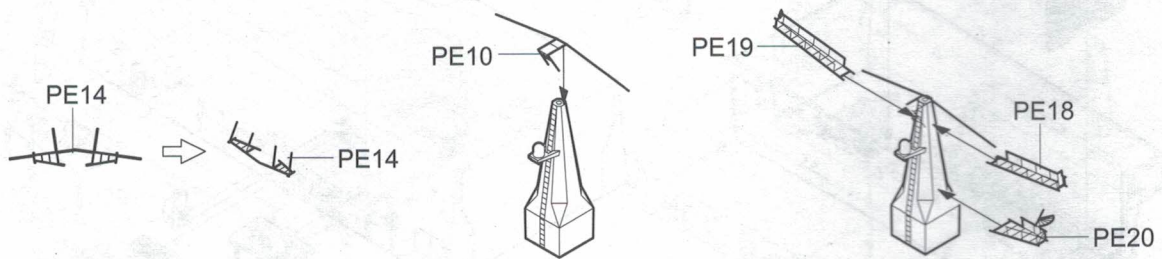
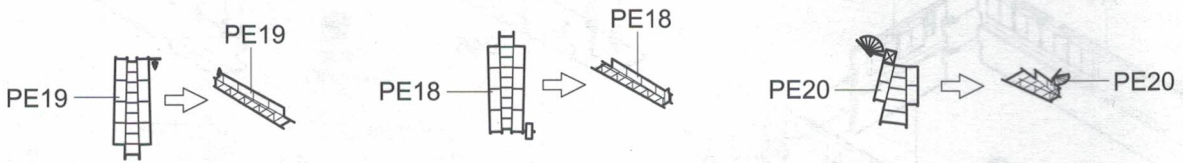
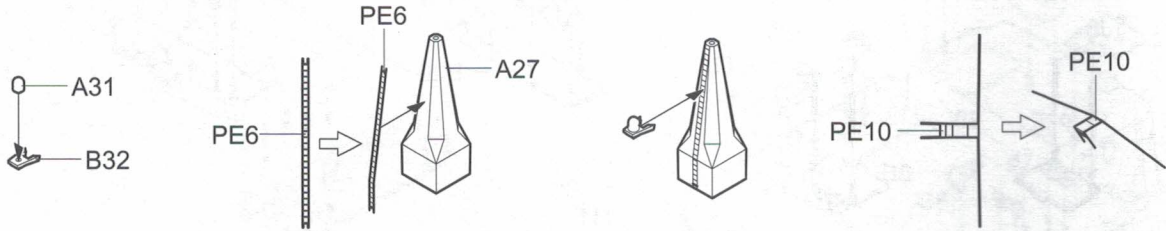
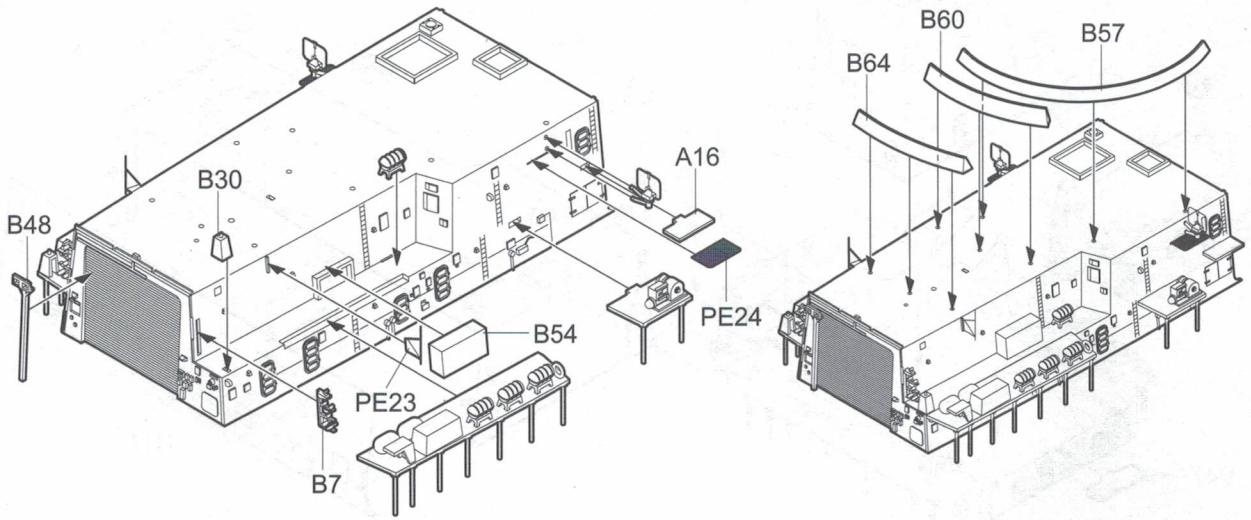


10

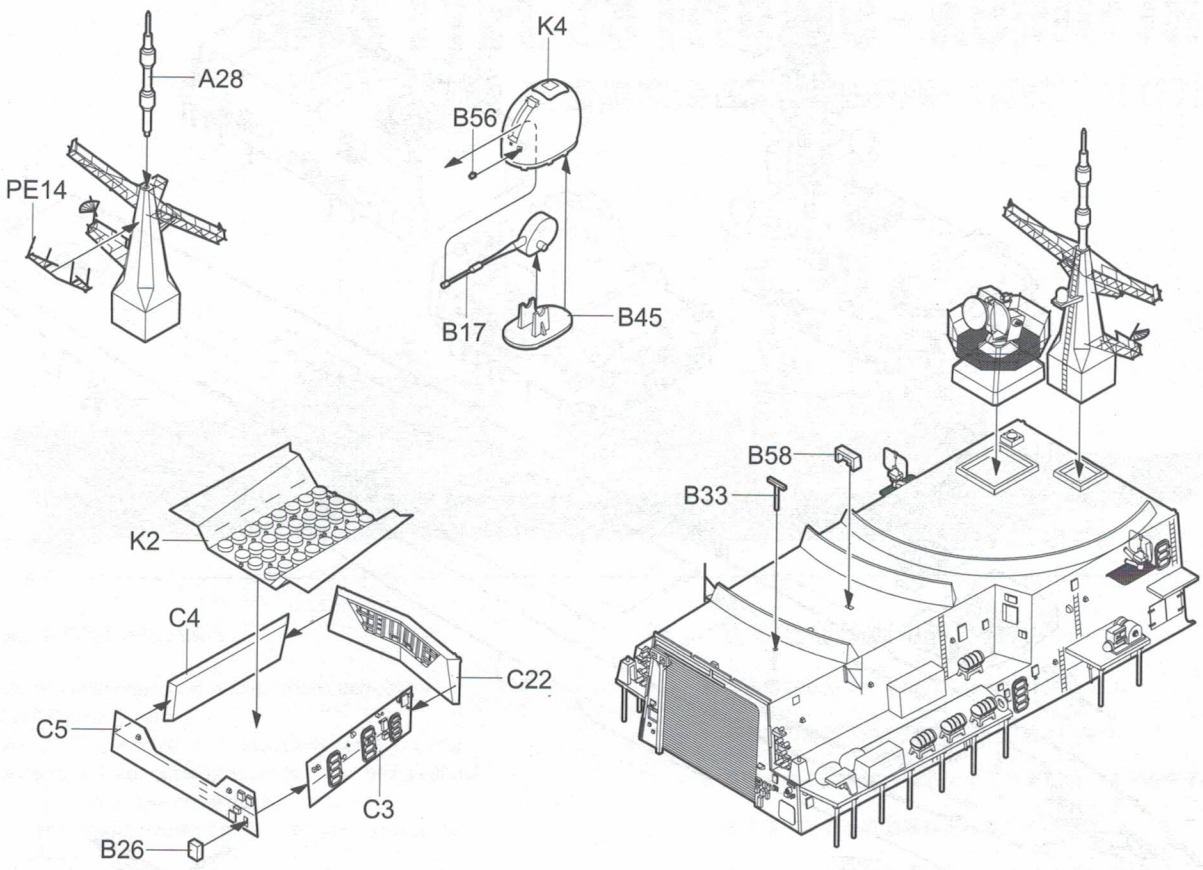


11



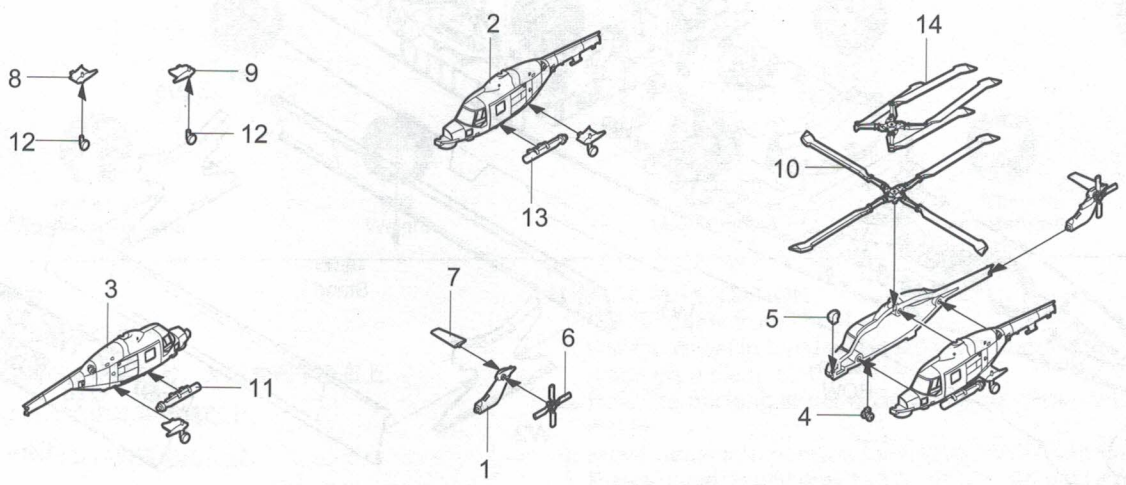


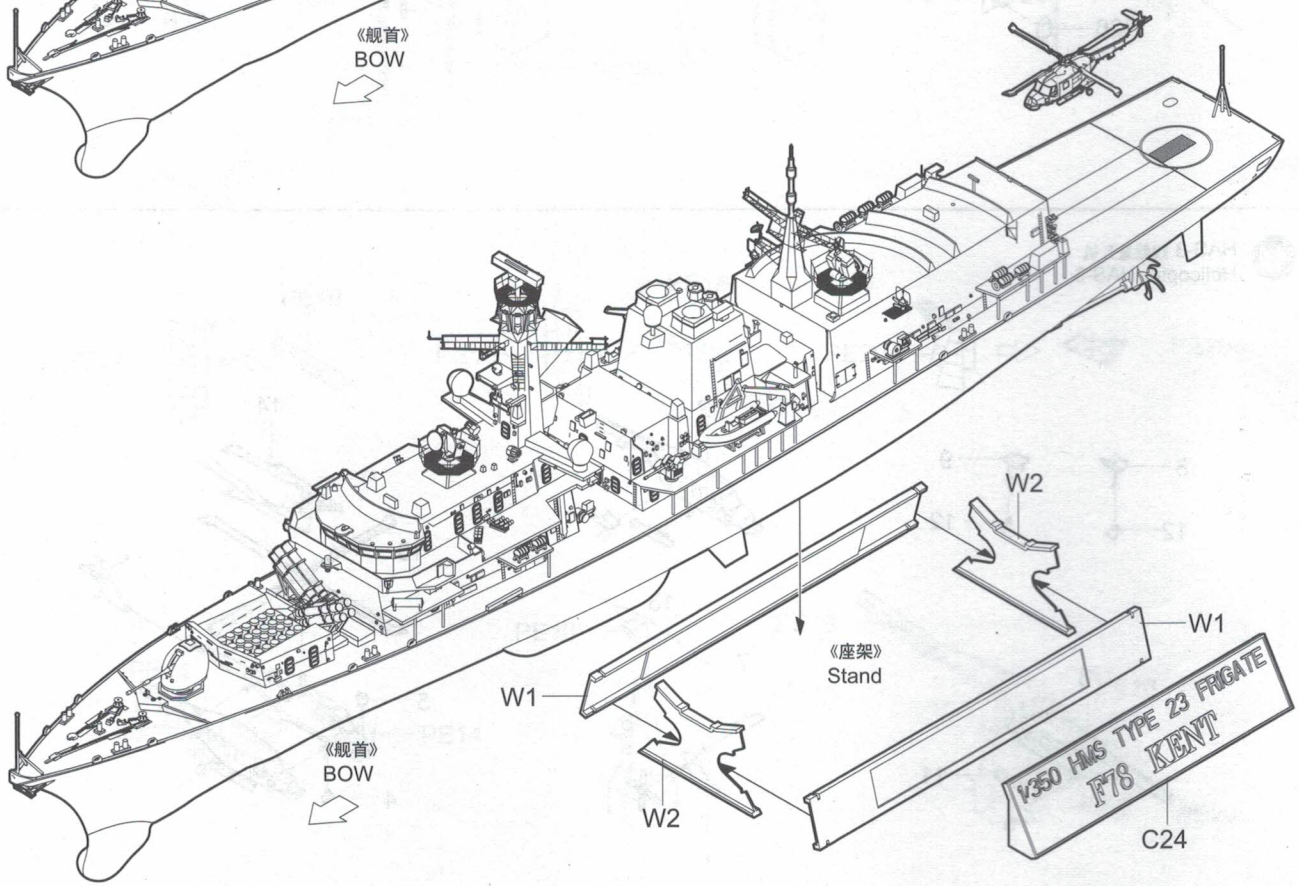
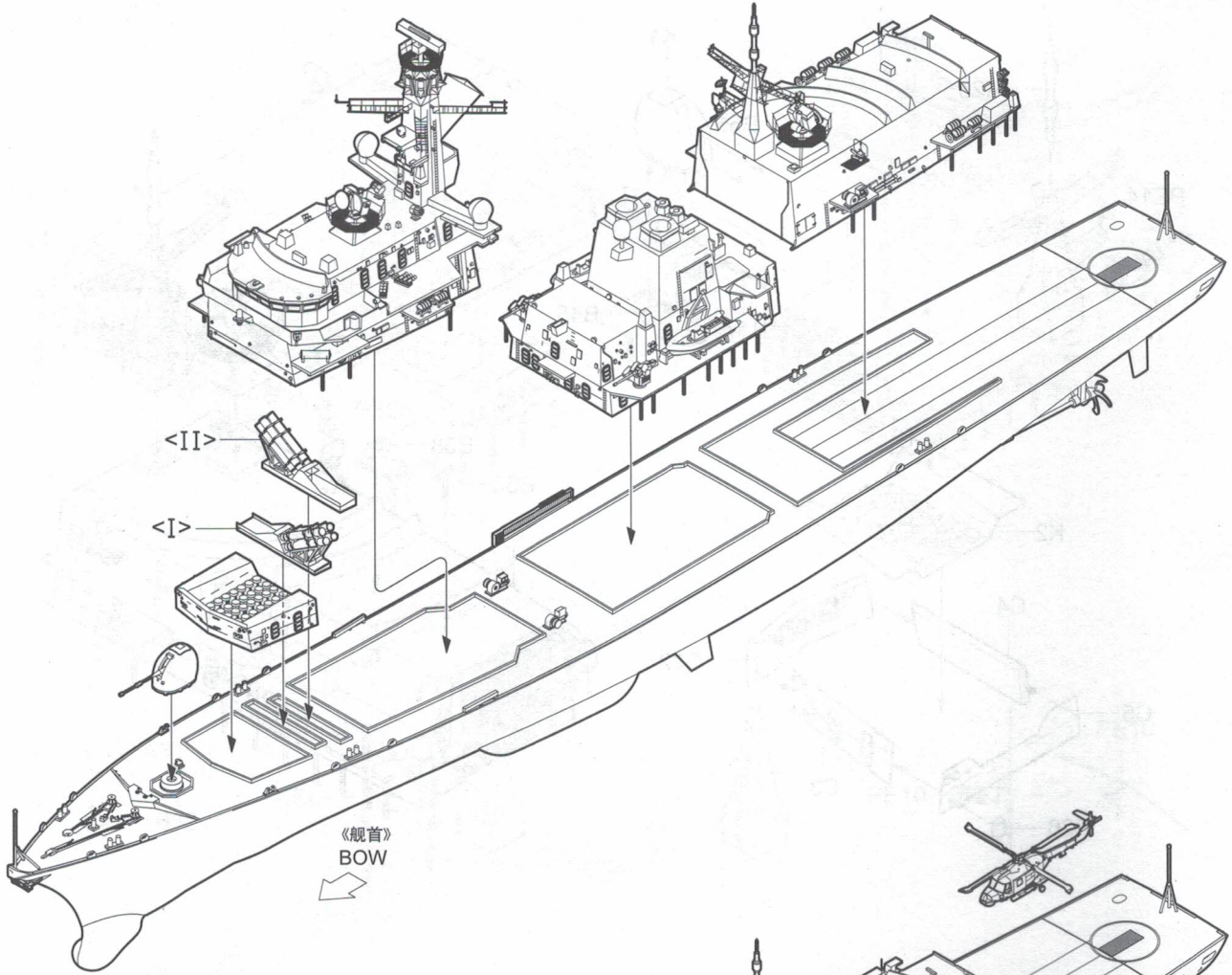
13



14

HAS-3 舰载直升机  
Helicopter HAS-3



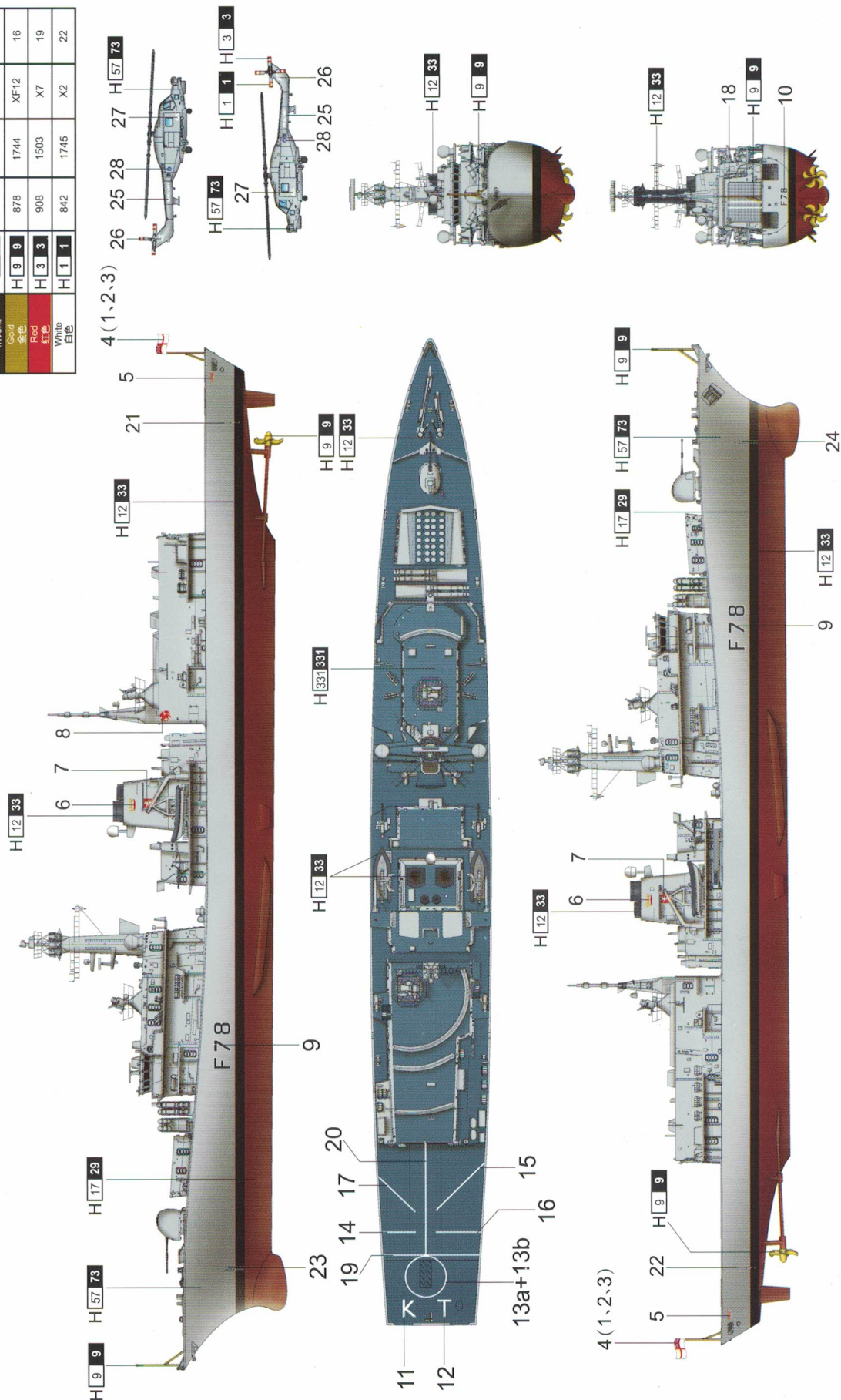


# 涂装同标贴指示

## Painting & Marking guide

### PAINT REFERENCE COLOUR

Color	Mr.Hobby	Vallejo	Model Master	Tamiya	Humbrol
Aluminum Grey 铝白色	H 57 73	-	-	-	-
Hull Red 船体红	H 17 29	985	-	XF9	177
Dark Sea Gray 深海灰	H 331 331	-	-	XFS4	164
Flat Black 消光黑	H 12 33	950	1749	XF1	33
Gold 金色	H 9 9	878	1744	XF12	16
Red 红色	H 3 3	908	1503	X7	19
White 白色	H 1 1	842	1745	X2	22



H|X| AQUEOUS HOBBY COLOR    X| Mr. COLOR

04544 1/350 HMS TYPE 23 Frigate – Kent(F78)