

Border

FOCKE-WULF FW190A-6

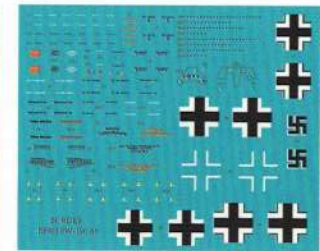
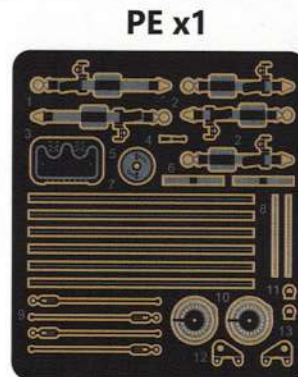
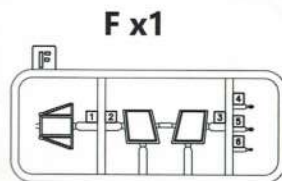
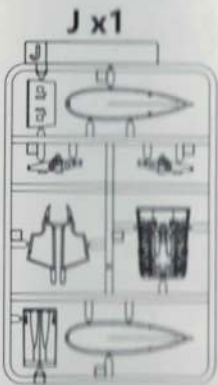
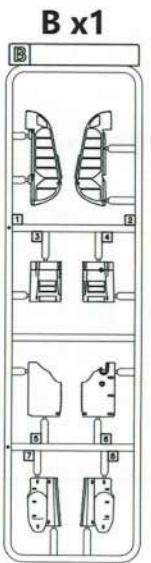
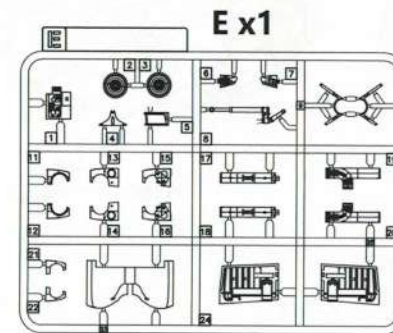
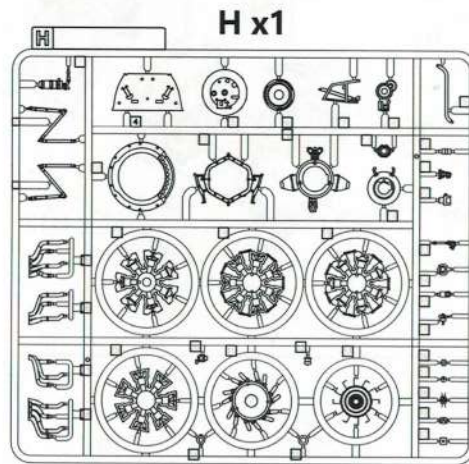
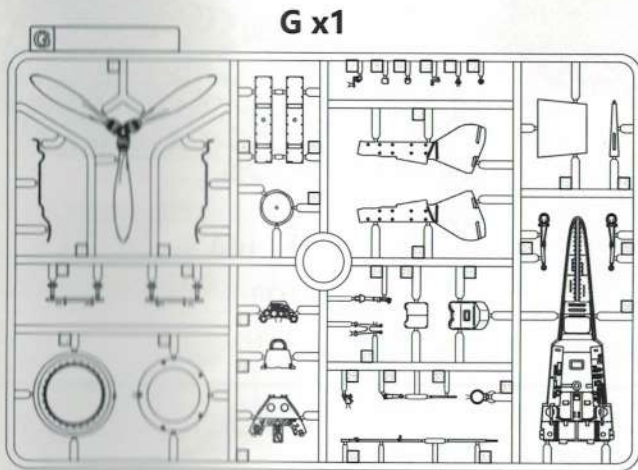
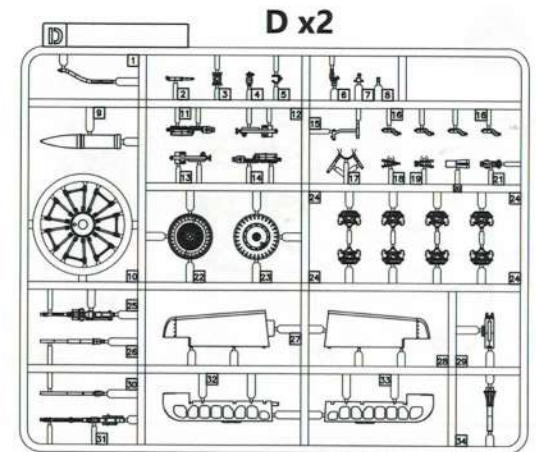
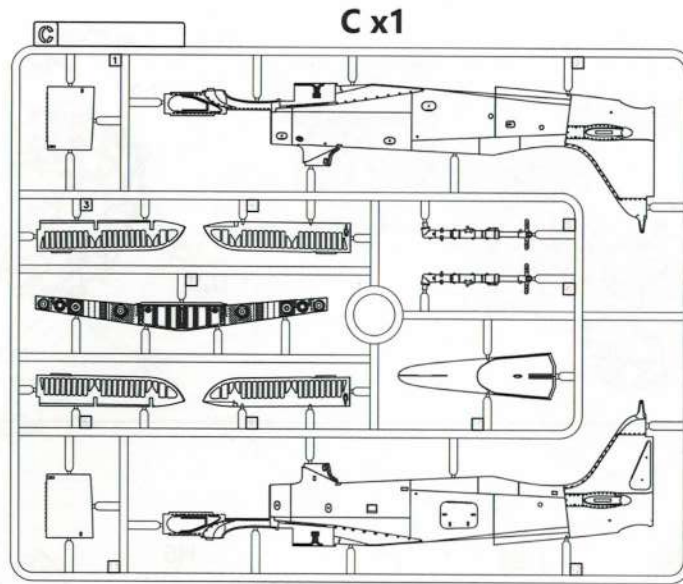
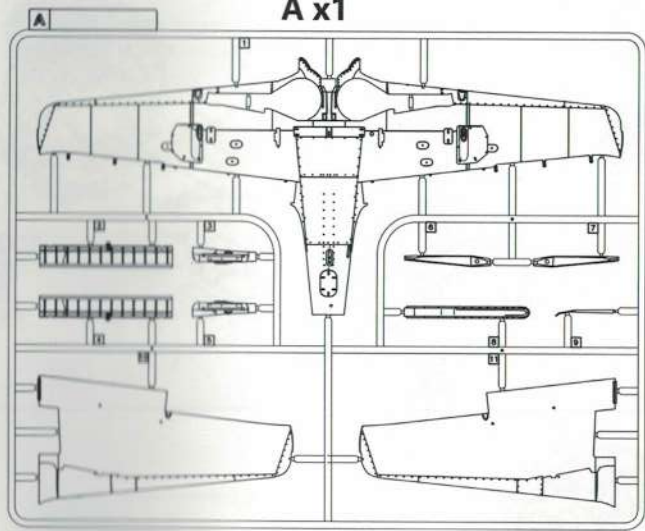
w/WGr.21 & Full engine and weapon interior フォッケウルフ Fw190A-6



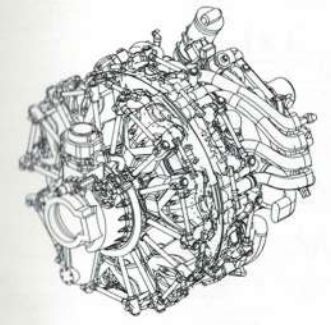
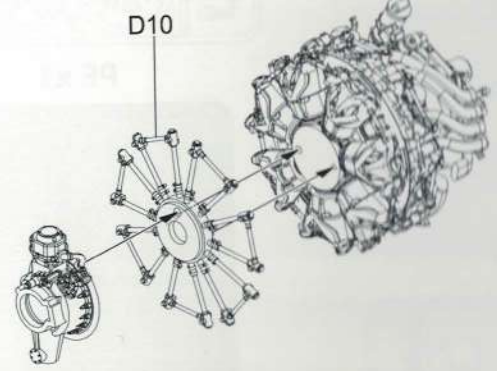
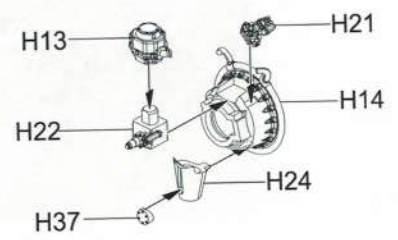
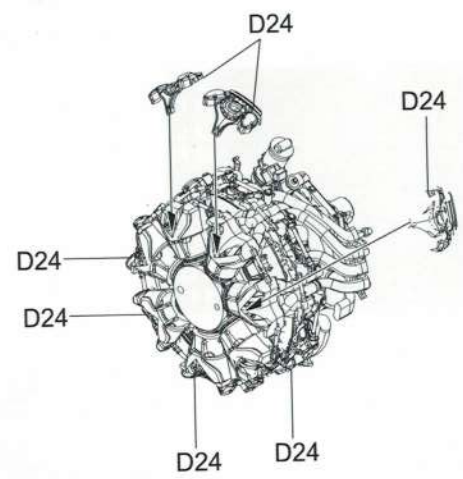
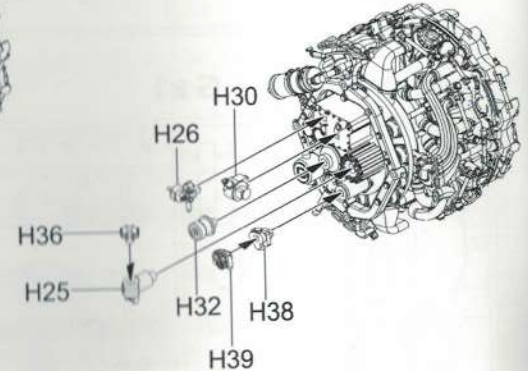
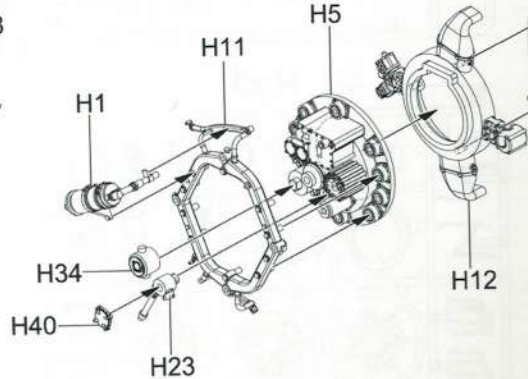
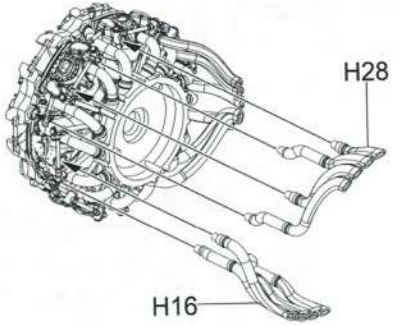
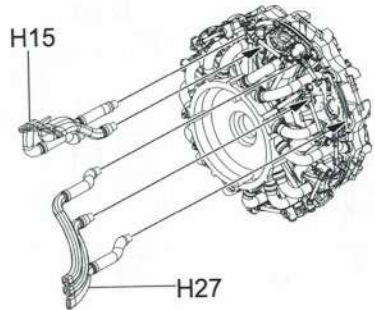
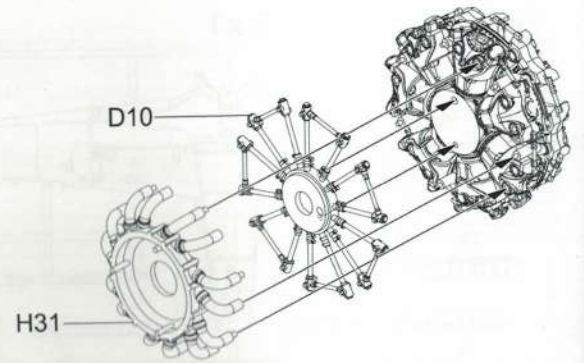
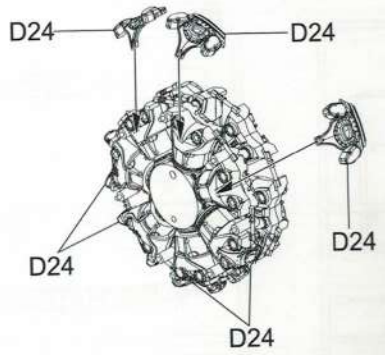
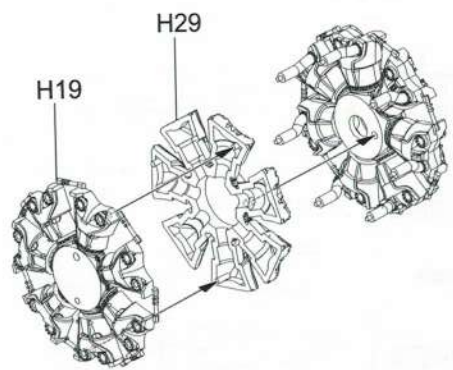
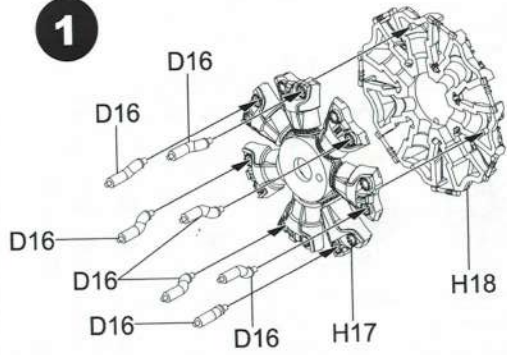
• READY TO ASSEMBLE KIT • MODELING SKILLS HELPFUL UNDER 14 YEARS OF AGE • MODEL MAY VARY FROM IMAGE ON BOX • CEMENT AND PAINT NOT INCLUDED

- ◆ PE PARTS INCLUDED.
- ◆ FULL INTERIOR OF ENGINE.
- ◆ TRANSPARENT ENGINE COVER.
- ◆ TRANSPARENT GUN BAY WITH FULL INTERIOR OF GUN.
- ◆ 2 SCHEMES OF CAMOUFLAGES.

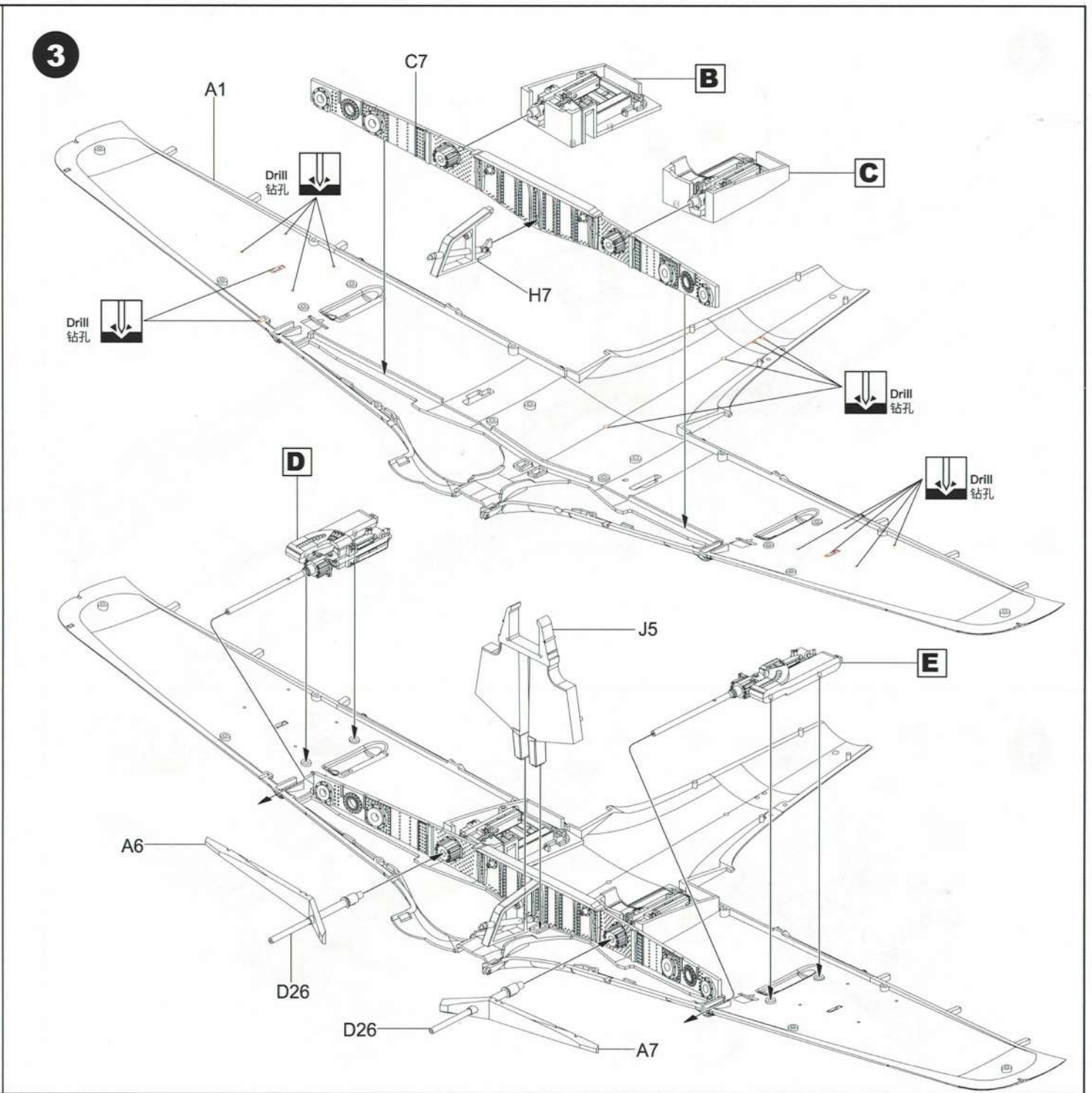
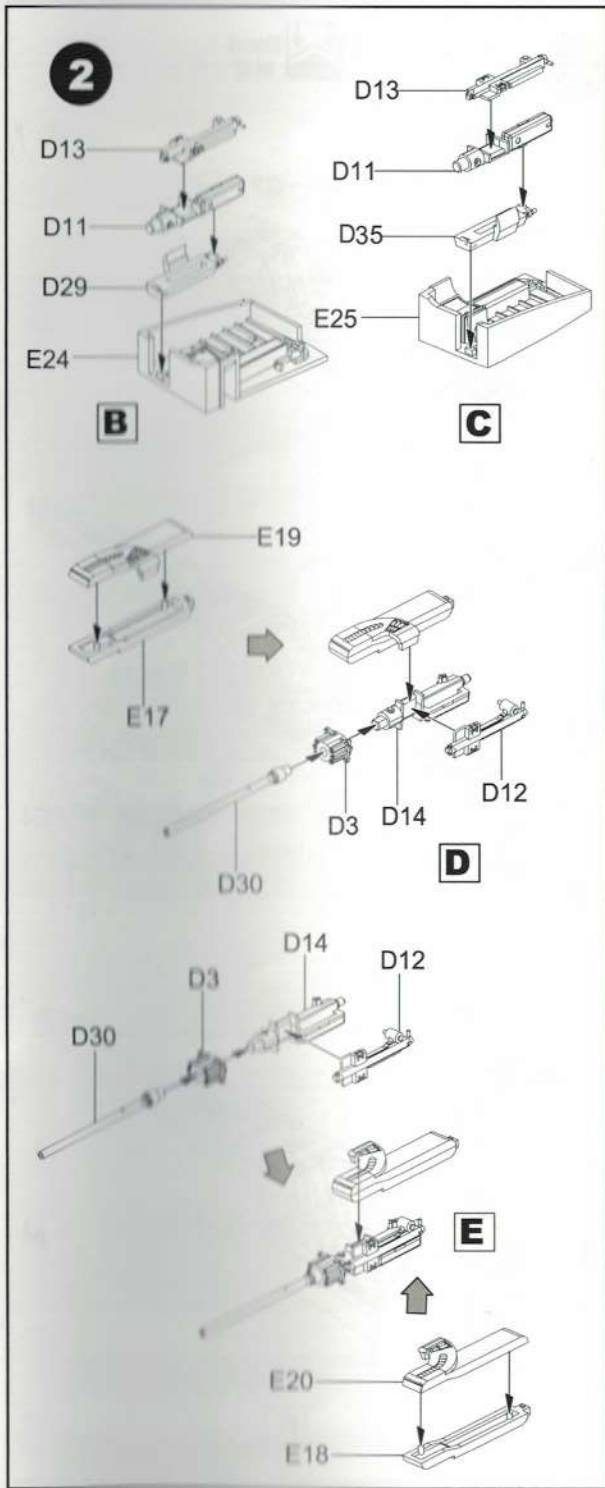




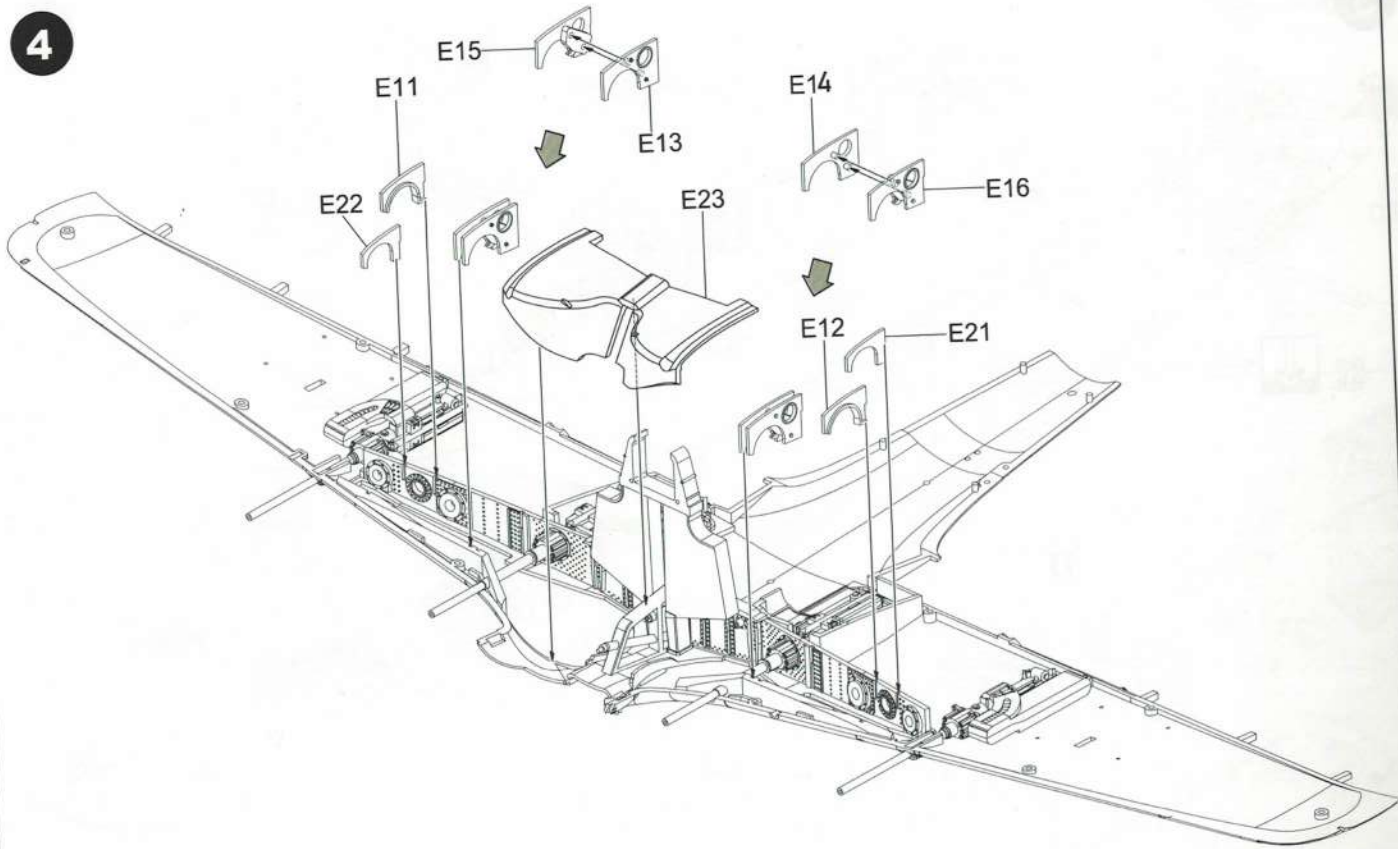
1



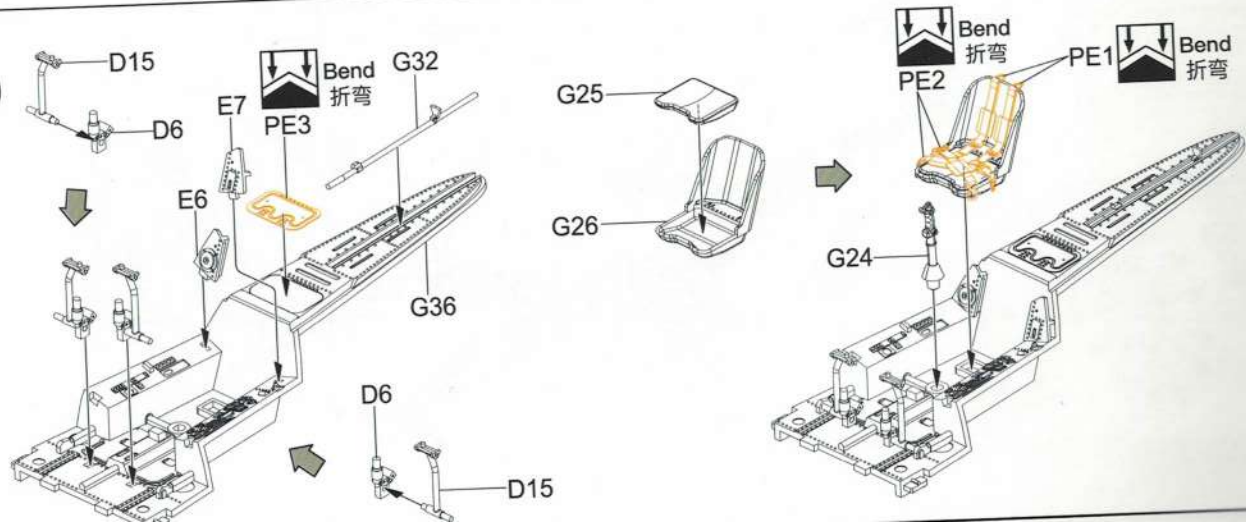
A



4

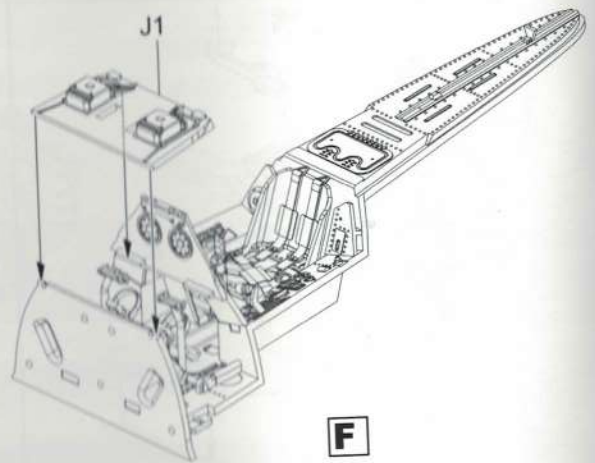
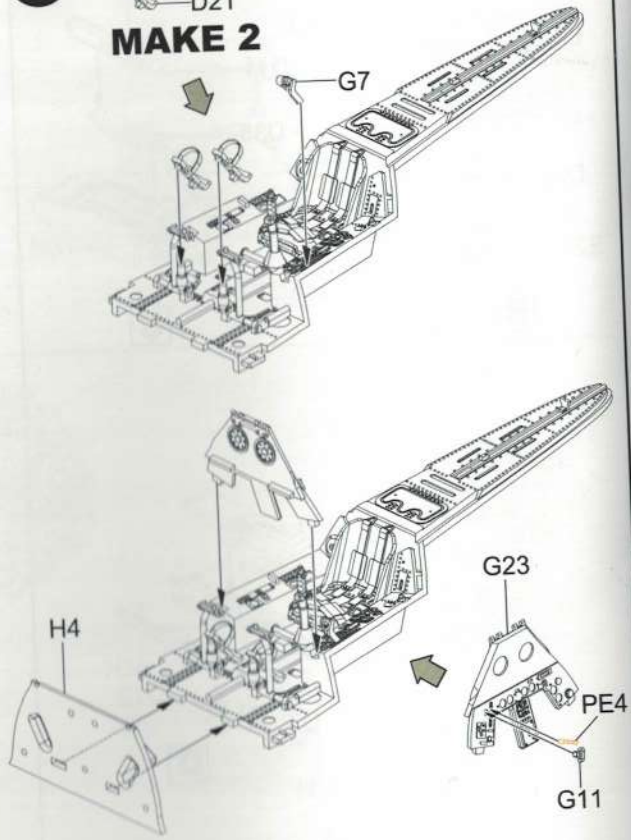


5



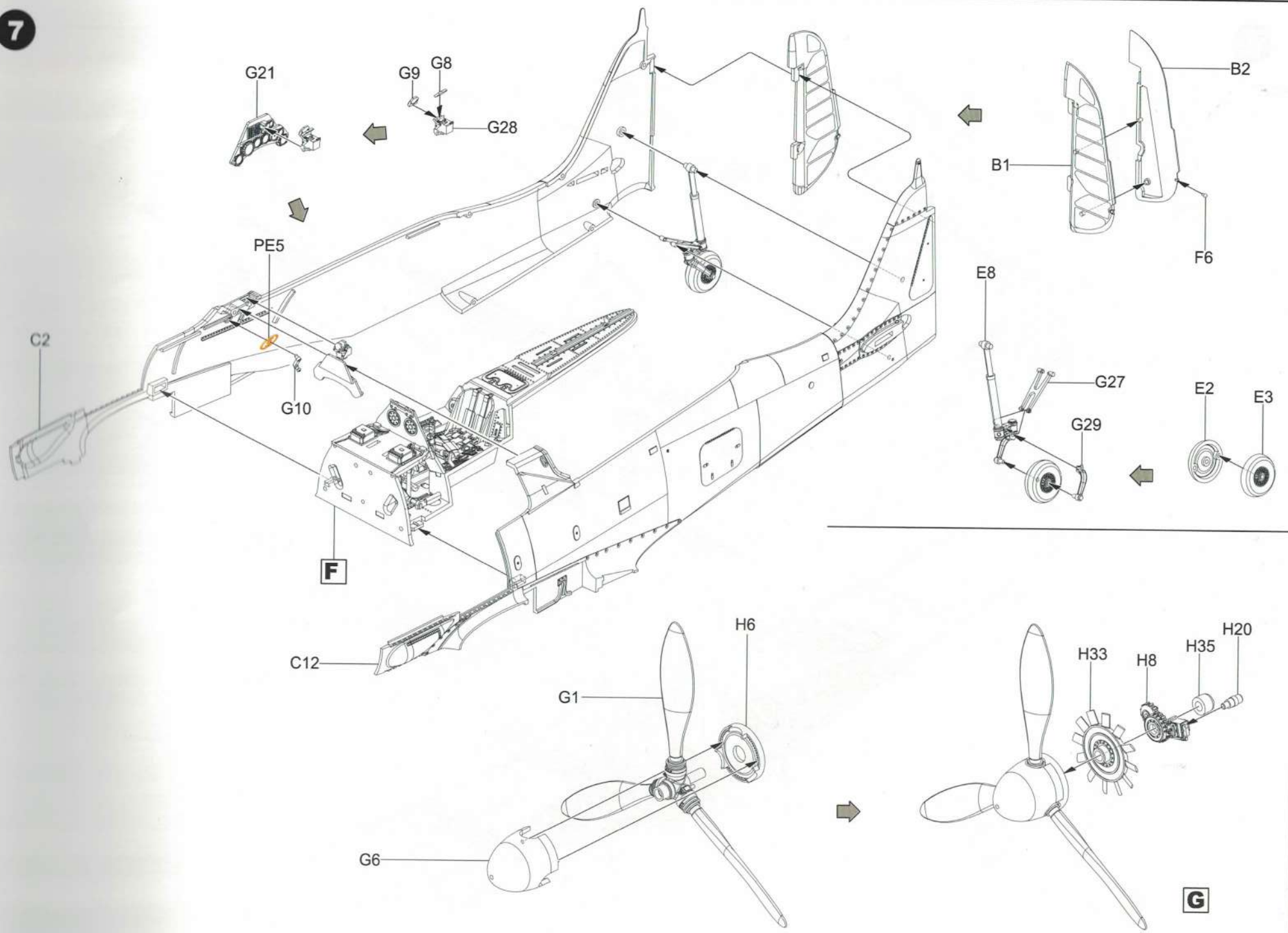
6

PE8
D21
MAKE 2

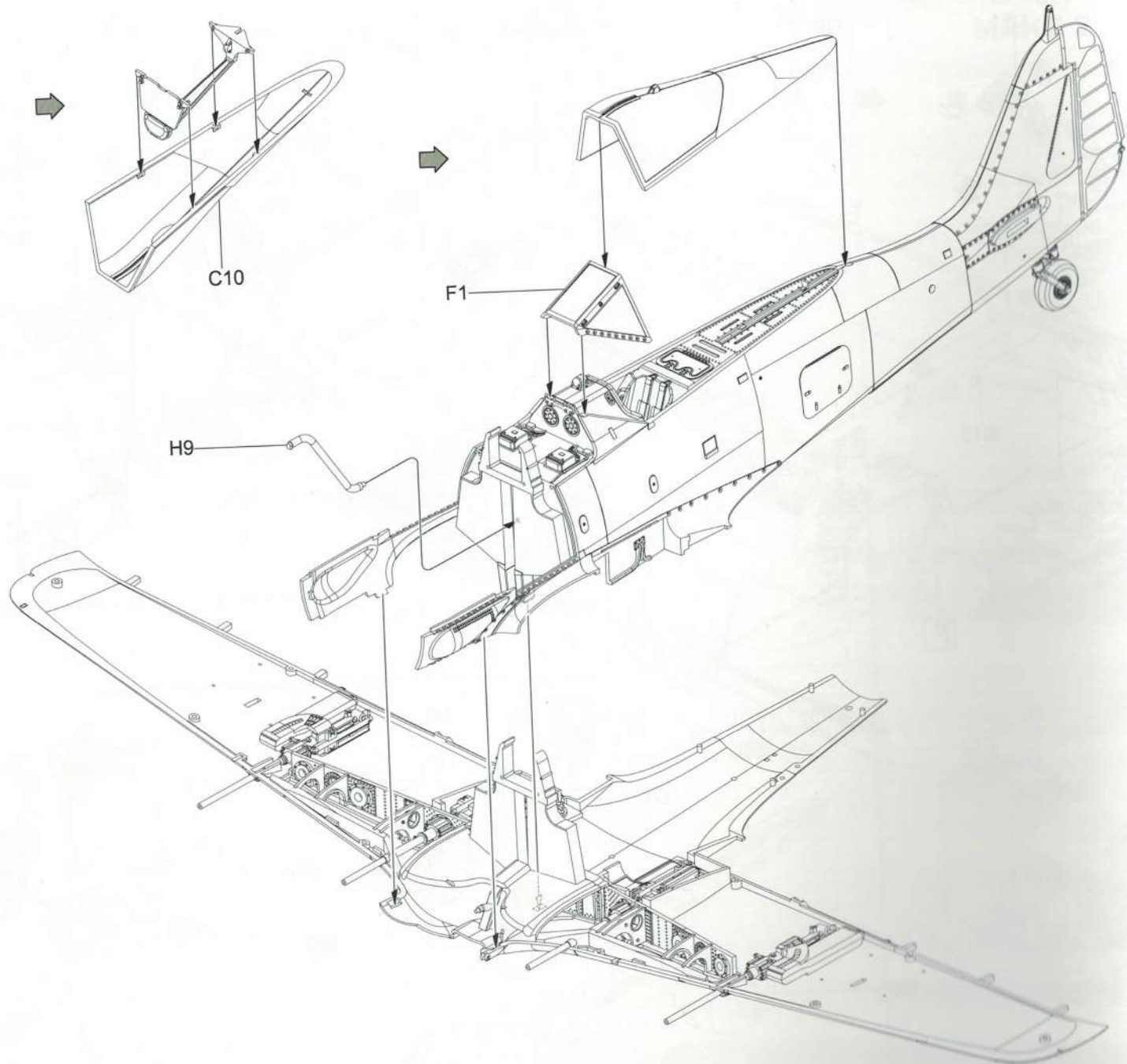
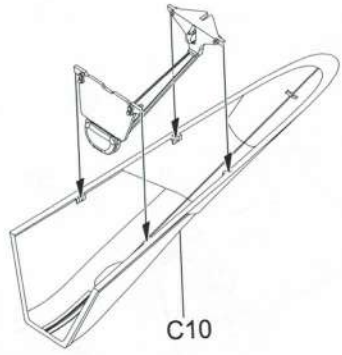
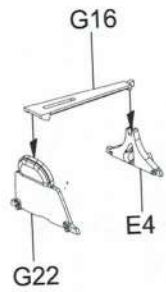


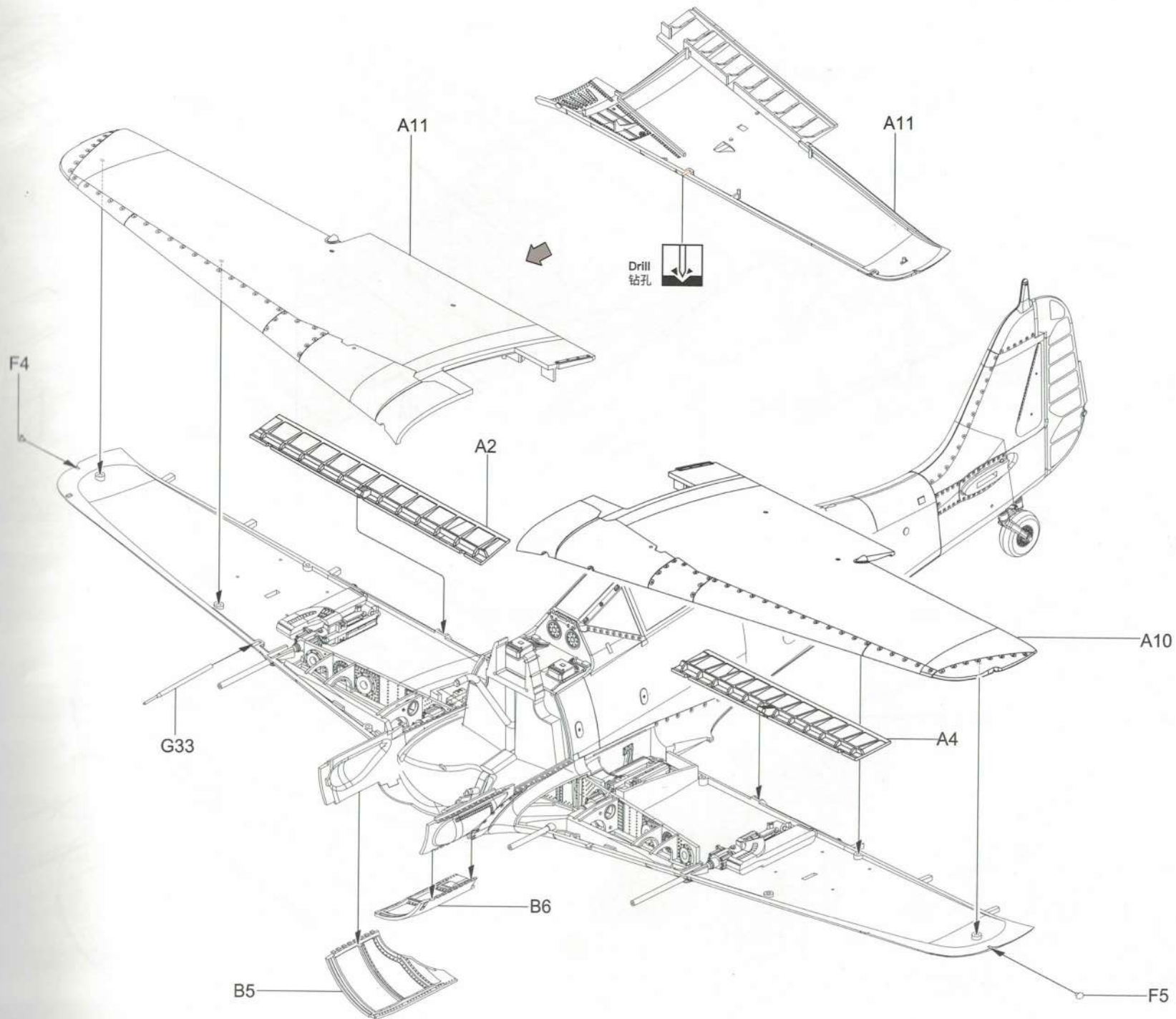
F

7

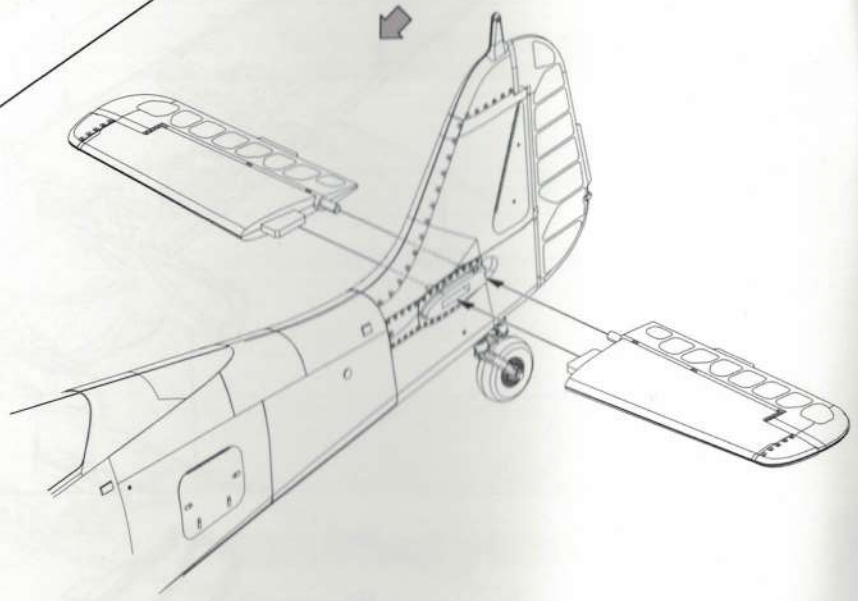
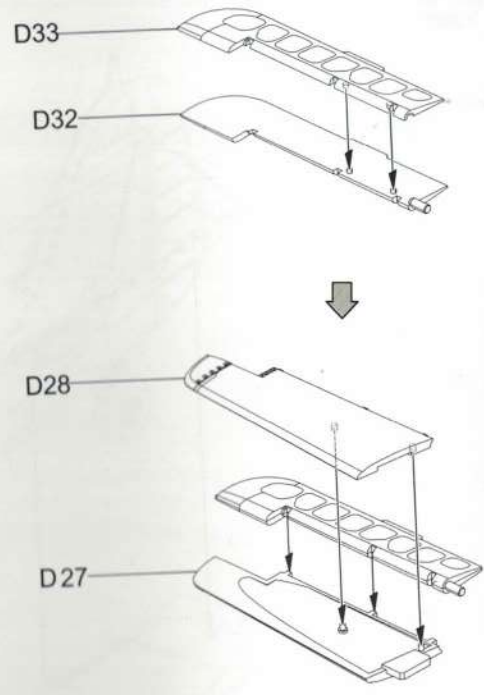
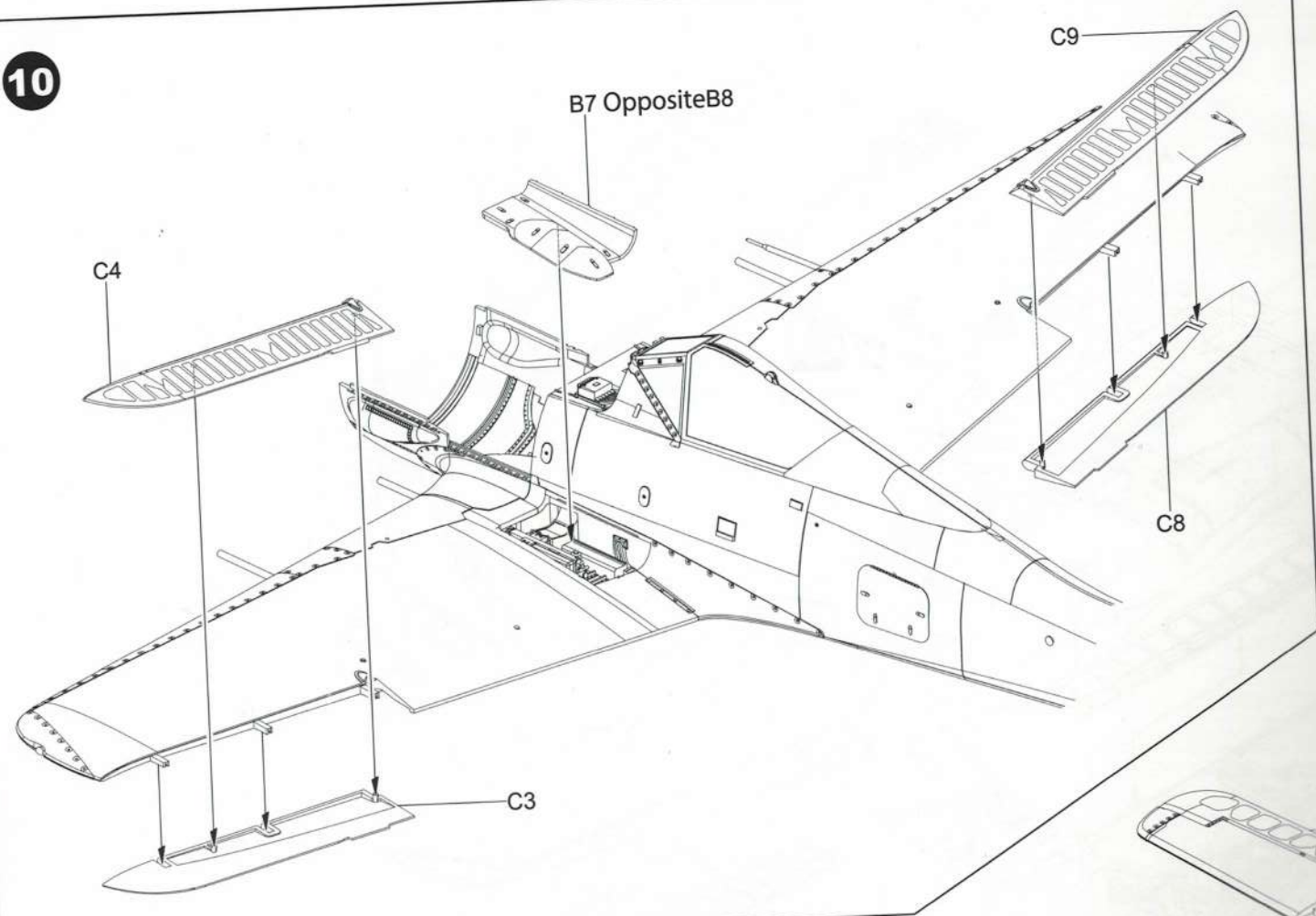


8

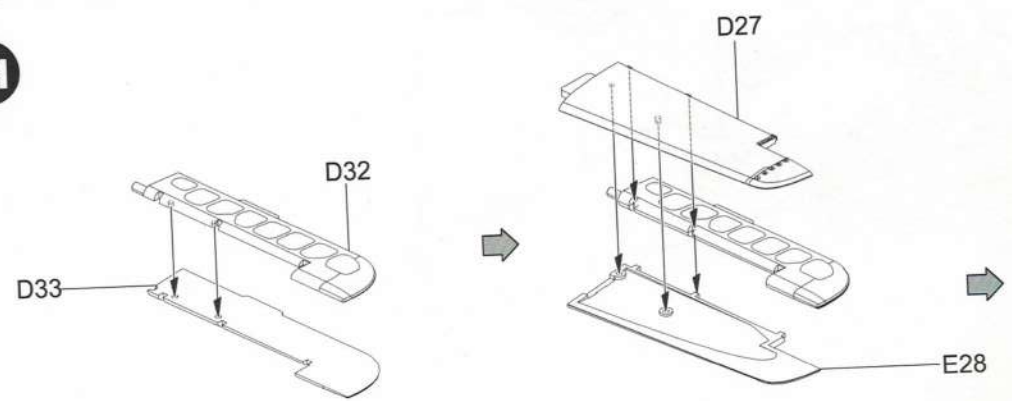




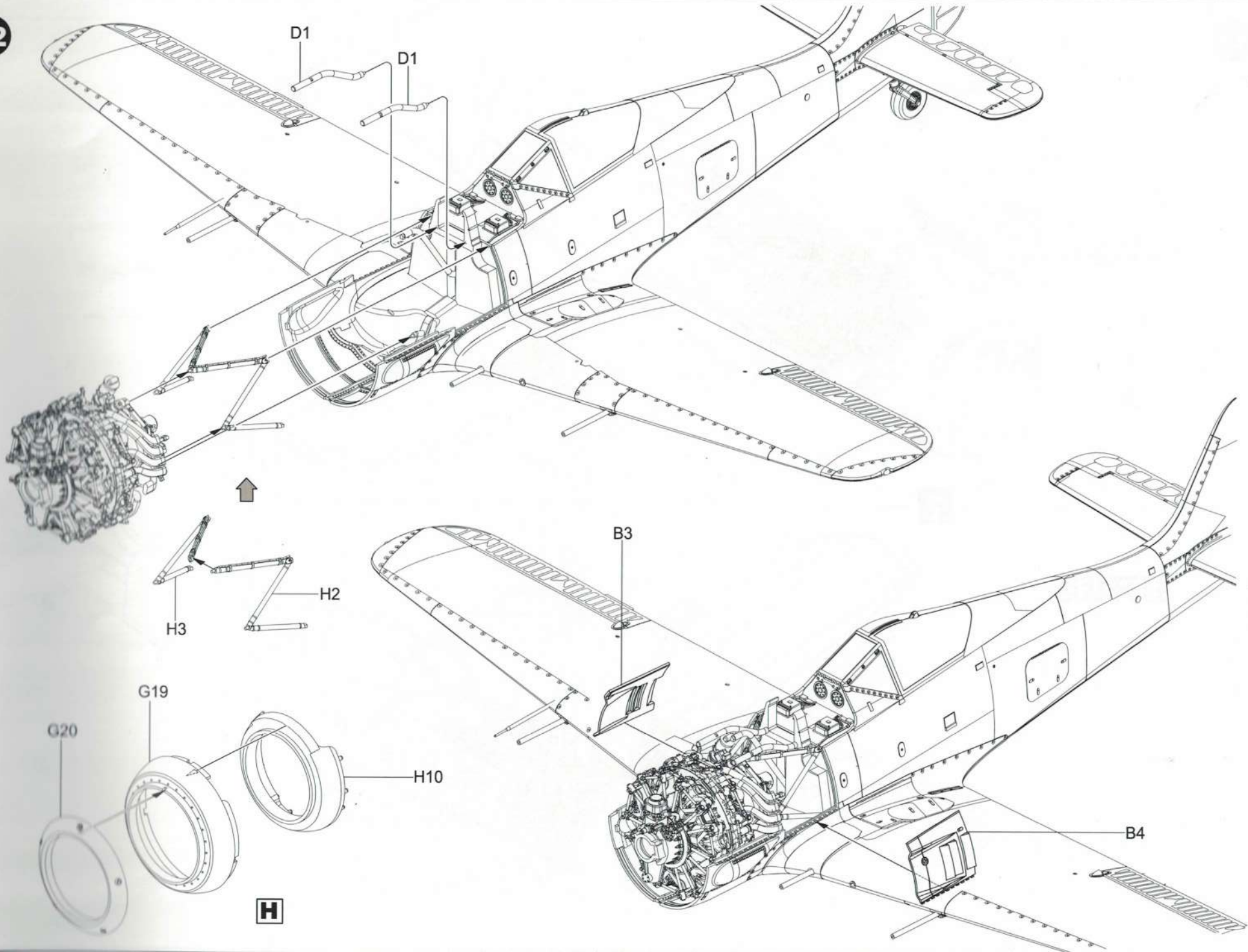
10



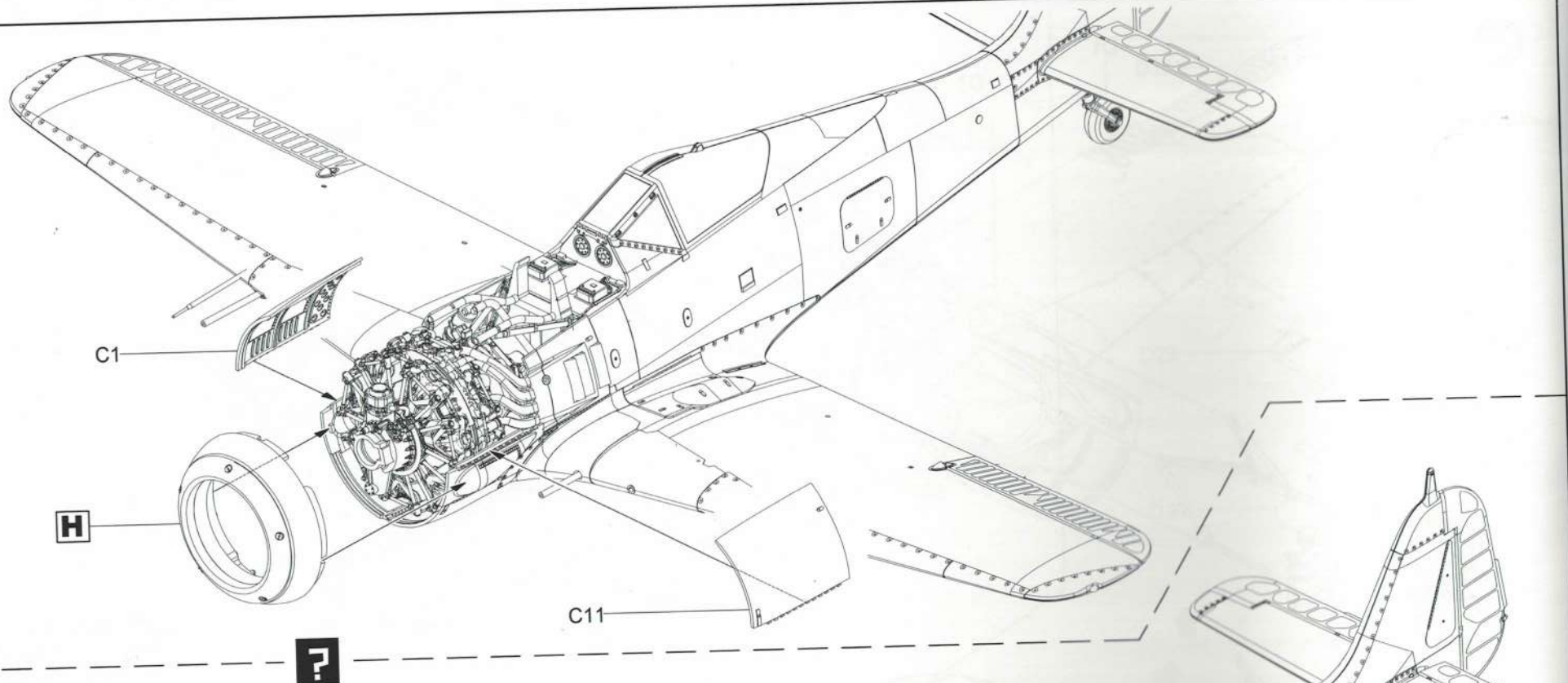
11



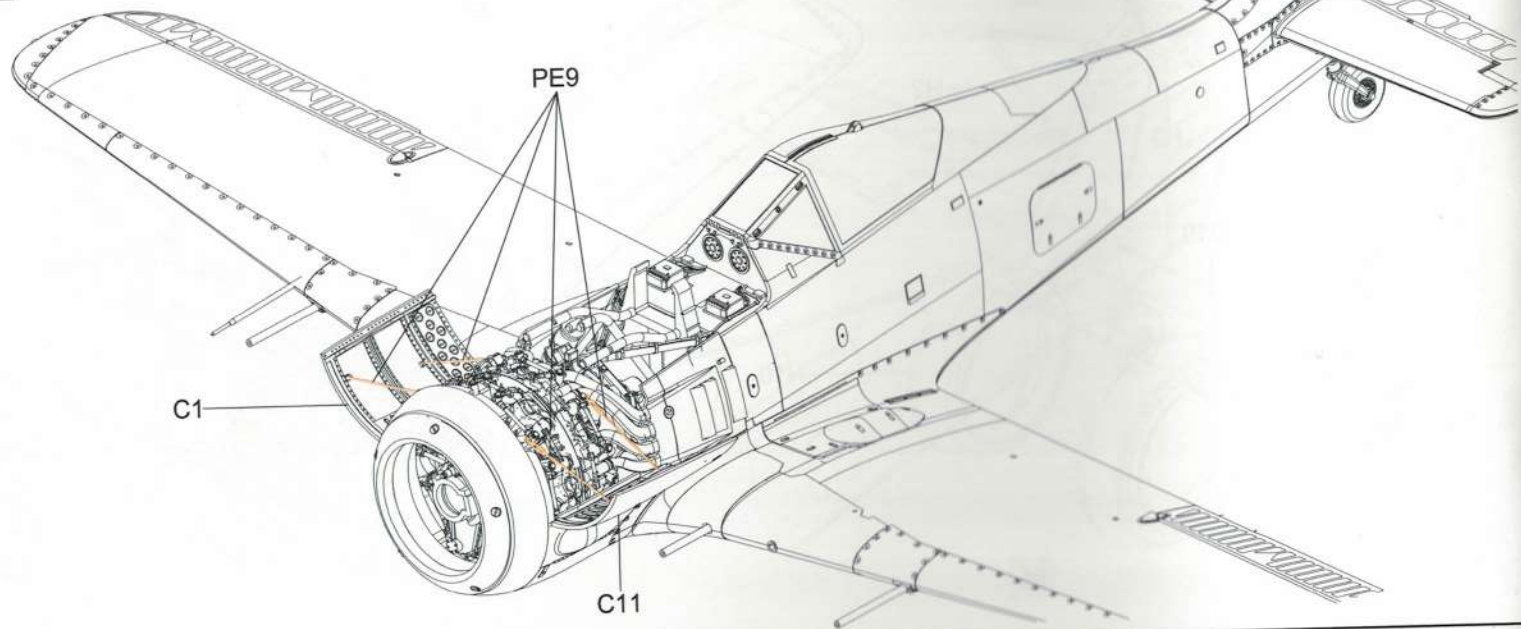
12

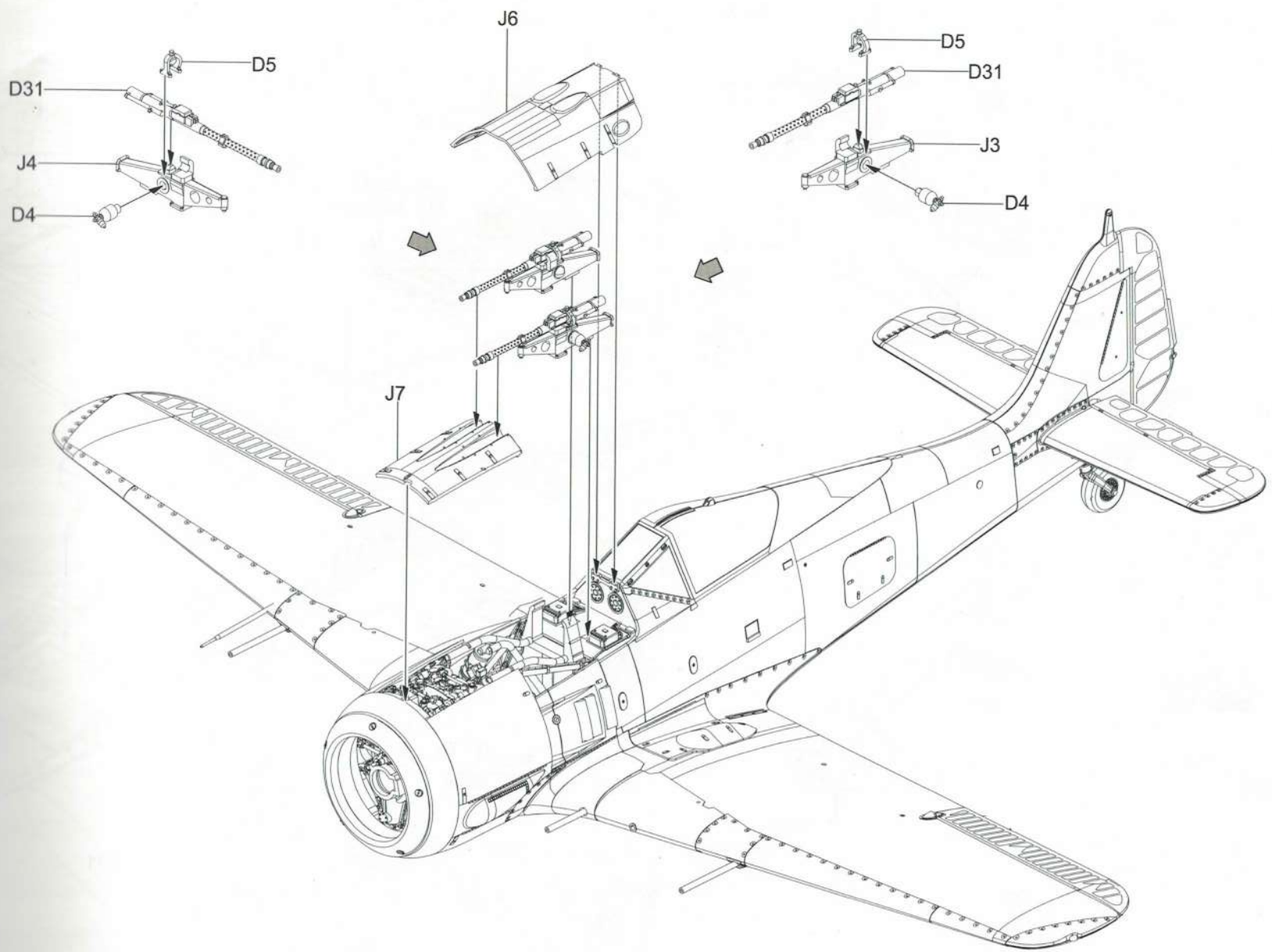


13

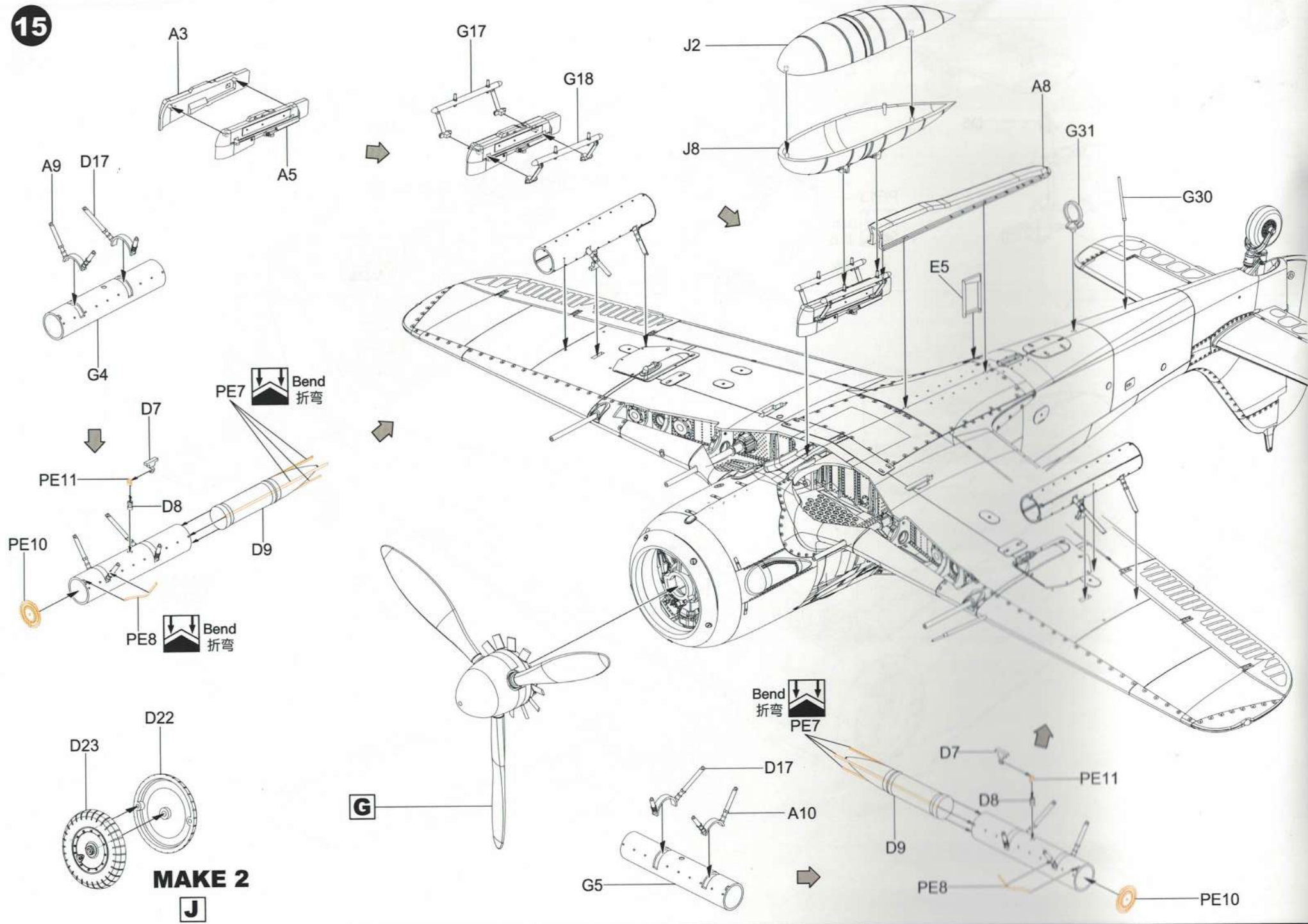


打开状态

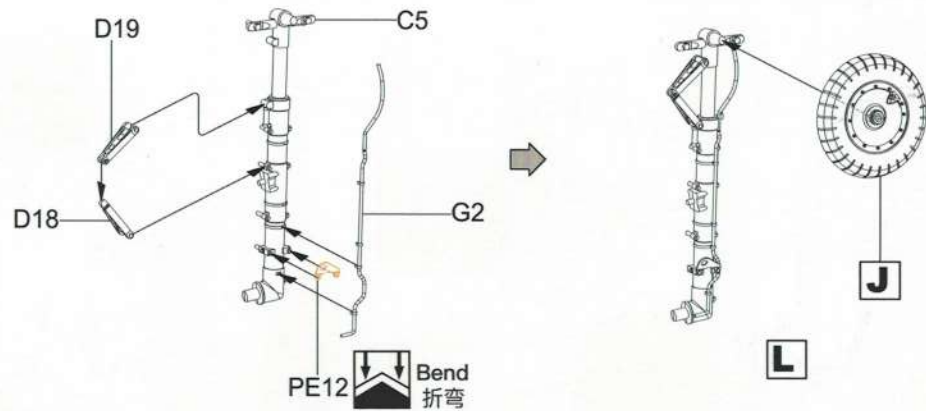
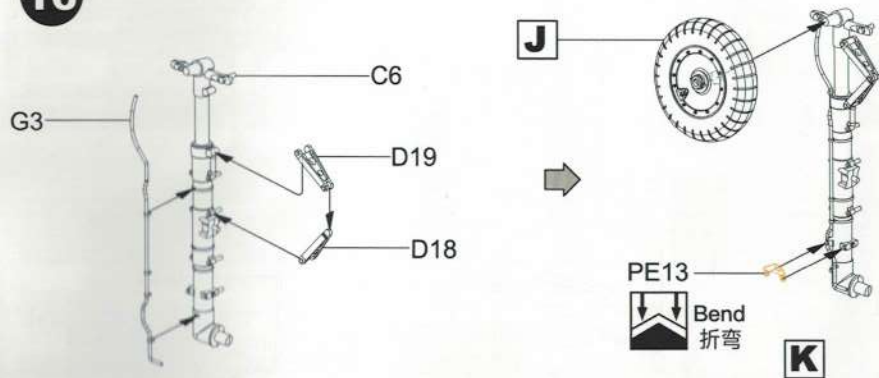




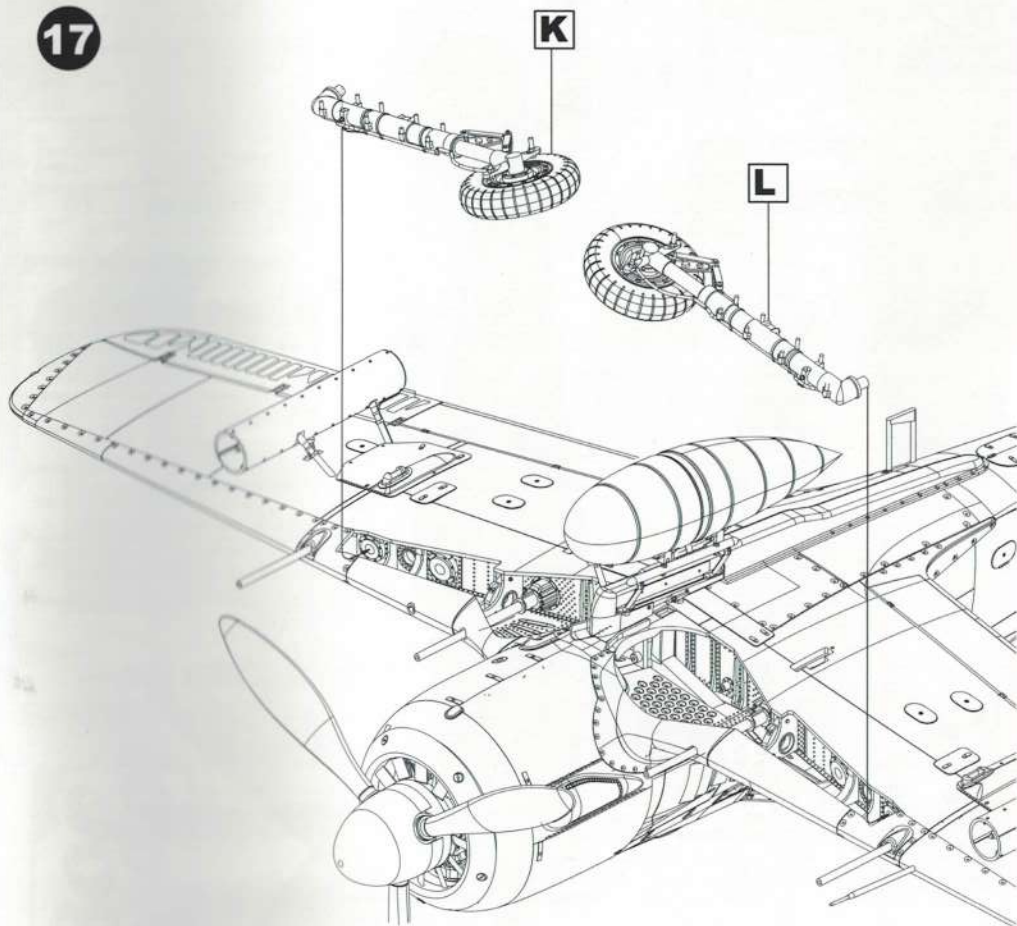
15



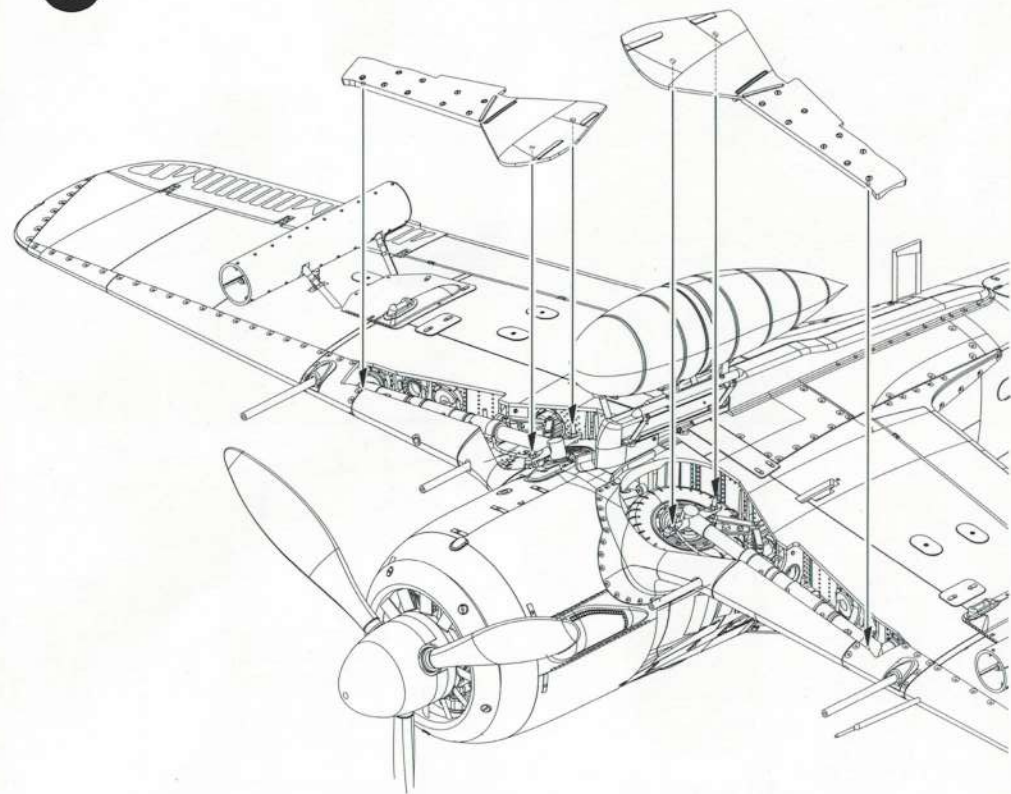
16



17



18

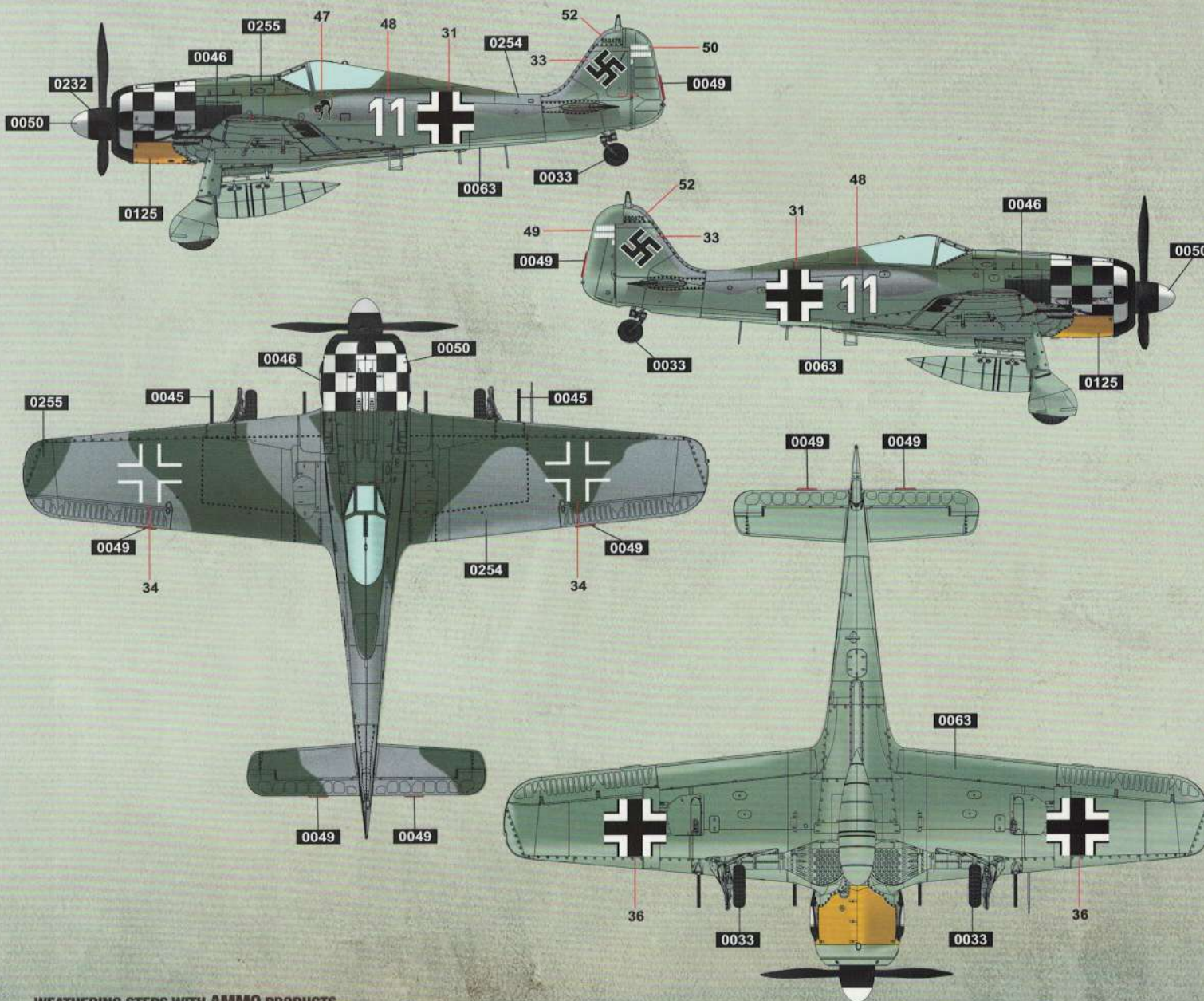


PAINTING AND MARKING GUIDE

BORDER MODEL REF: XXXX

 A.MIG-0033 Rubber & Tires	 A.MIG-0045 Gun Metal	 A.MIG-0046 Matt Black	 A.MIG-0063 RLM 76 Pale Grey
 A.MIG-0050 Matt White	 A.MIG-0125 RLM 04 GELB Gold Yellow	 A.MIG-0232 RLM 70 Schwartzgrün	 A.MIG-0254 RLM 75 Grauviolett
 A.MIG-0255 RLM 81 Braunviolett	 A.MIG-0049 RED		

GEORG SCHOTT, 1./JG 1, Deelen AB, Netherlands, summer 1943





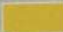






WEATHERING STEPS WITH AMMO PRODUCTS

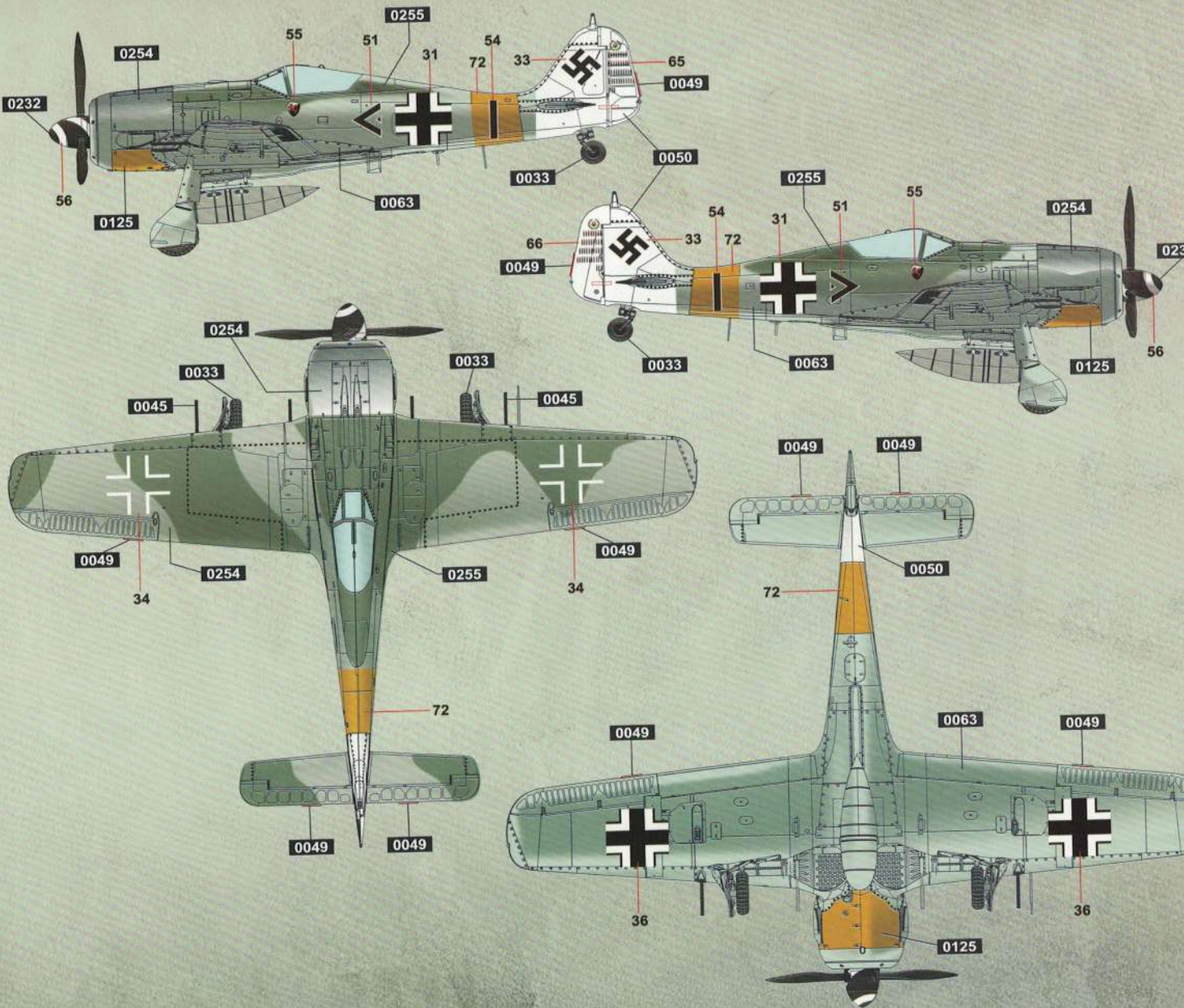
1 COCKPIT A.MIG-0218 RLM 66 Schwartzgrau	3 PLW RLM76 A.MIG-1613 Panel Line Wash Blue Grey	5 PLW RLM75 A.MIG-1611 Panel Line Wash Black Night	7 SHADERS RLM74 A.MIG-0866 Dark Green Shader	9 PIGMENTS A.MIG-3011 Airfield Dust
2 INTERIOR WASH A.MIG-1008 Dark Wash	4 PLW RLM74 A.MIG-1612 Panel Line Wash Green Brown	6 SHADERS RLM76 A.MIG-0861 Marine Blue Shader	8 SHADERS RLM75 A.MIG-0857 Navy Grey Shader	10 FUEL STAINS A.MIG-1253 Streakingbrusher Grime

PAINTING AND MARKING GUIDE

BORDER MODEL REF: XXXX

- | | | | |
|----------------------------------------------------------------------------------------------------------------------|------------------------------------------------------------------------------------------------------------------|-----------------------------------------------------------------------------------------------------------------|--------------------------------------------------------------------------------------------------------------------|
|  A.MIG-0033 Rubber & Tires |  A.MIG-0045 Gun Metal |  A.MIG-0050 Matt White |  A.MIG-0063 RLM 76 Pale Grey |
|  A.MIG-0125 RLM 04 GELB Gold Yellow |  A.MIG-0232 RLM 70 Schwartzgrün |  A.MIG-0254 RLM 75 Grauviolett |  A.MIG-0255 RLM 81 Braunviolett |
|  A.MIG-0049 RED | | | |

ANTON HACKL, III./JG 11, Oldenburg AB, Germany, March 1944



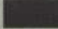




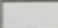
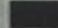
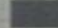
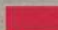

WEATHERING STEPS WITH AMMO PRODUCTS

- | | | | | |
|----------------------------------------------------|--------------------------------------------------------------|--------------------------------------------------------------|--------------------------------------------------------|-------------------------------------------------------------|
| 1 COCKPIT
A.MIG-0218 RLM 66 Schwartzgrau | 3 PLW RLM76
A.MIG-1613 Panel Line Wash Blue Grey | 5 PLW RLM75
A.MIG-1611 Panel Line Wash Black Night | 7 SHADERS RLM74
A.MIG-0866 Dark Green Shader | 9 PIGMENTS
A.MIG-3011 Airfield Dust |
| 2 INTERIOR WASH
A.MIG-1008 Dark Wash | 4 PLW RLM74
A.MIG-1612 Panel Line Wash Green Brown | 6 SHADERS RLM76
A.MIG-0861 Marine Blue Shader | 8 SHADERS RLM75
A.MIG-0857 Navy Grey Shader | 10 FUEL STAINS
A.MIG-1293 Streaking/brusher Grime |

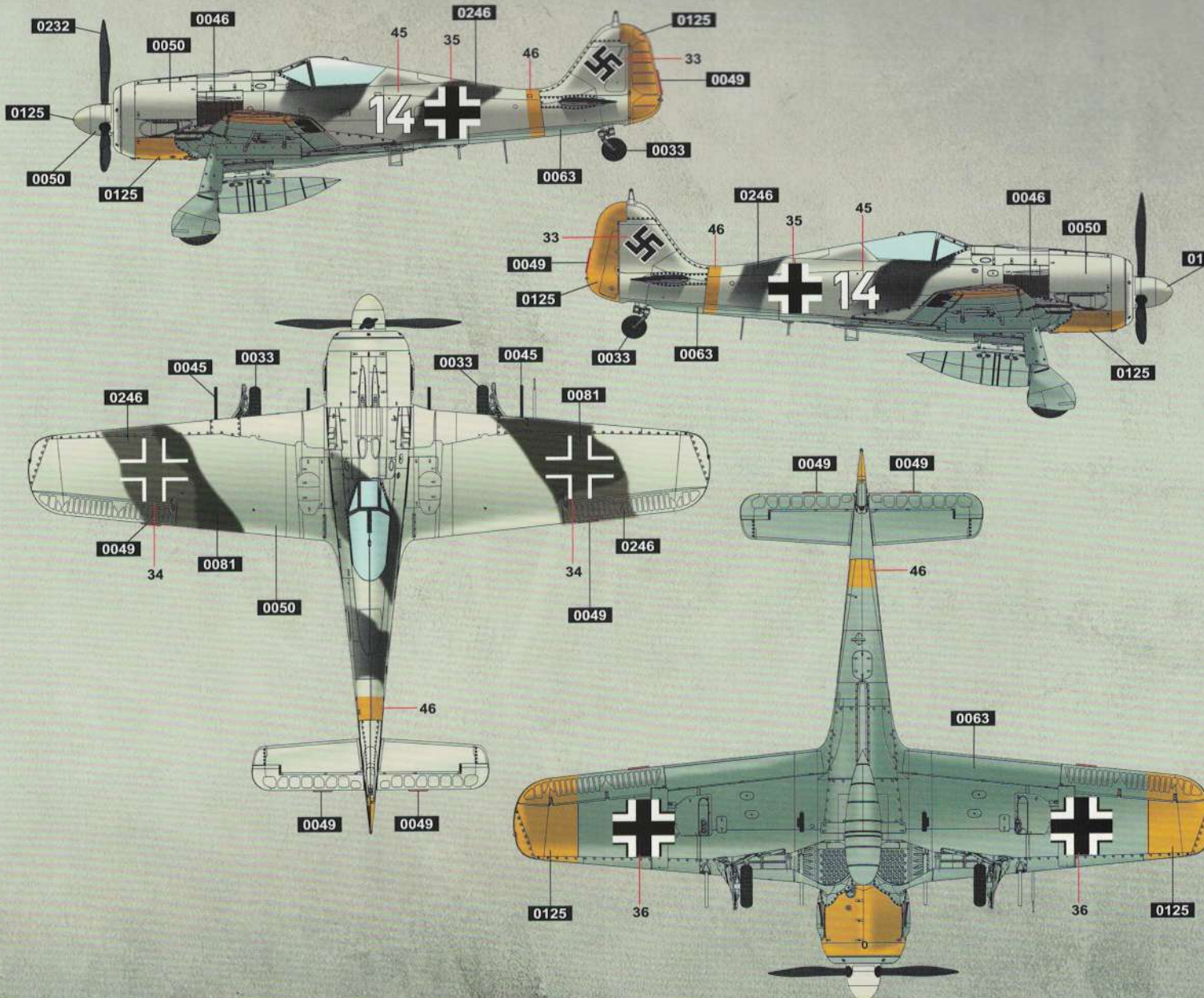
MESSERSCHMITT FW 190 A6

PAINTING AND MARKING GUIDE

BORDER MODEL REF: XXXX

 A.MIG-0033 Rubber & Tires	 A.MIG-0045 Gun Metal	 A.MIG-0063 RLM 76 Pale Grey	 A.MIG-0125 RLM 04 GELB Gold Yellow
 A.MIG-0232 RLM 70 Schwarzgrün	 A.MIG-0050 Matt White	 A.MIG-0046 Matt BLACK	 A.MIG-0246 BS 637 MEDIUM SEA GREY
 A.MIG-0049 RED	 A.MIG-0061 FS 24087 US 24087 (1952-1954)		

Günther Josten, 1./JG 51, Bobruysk, Soviet Union, January 1944



WEATHERING STEPS WITH AMMO PRODUCTS

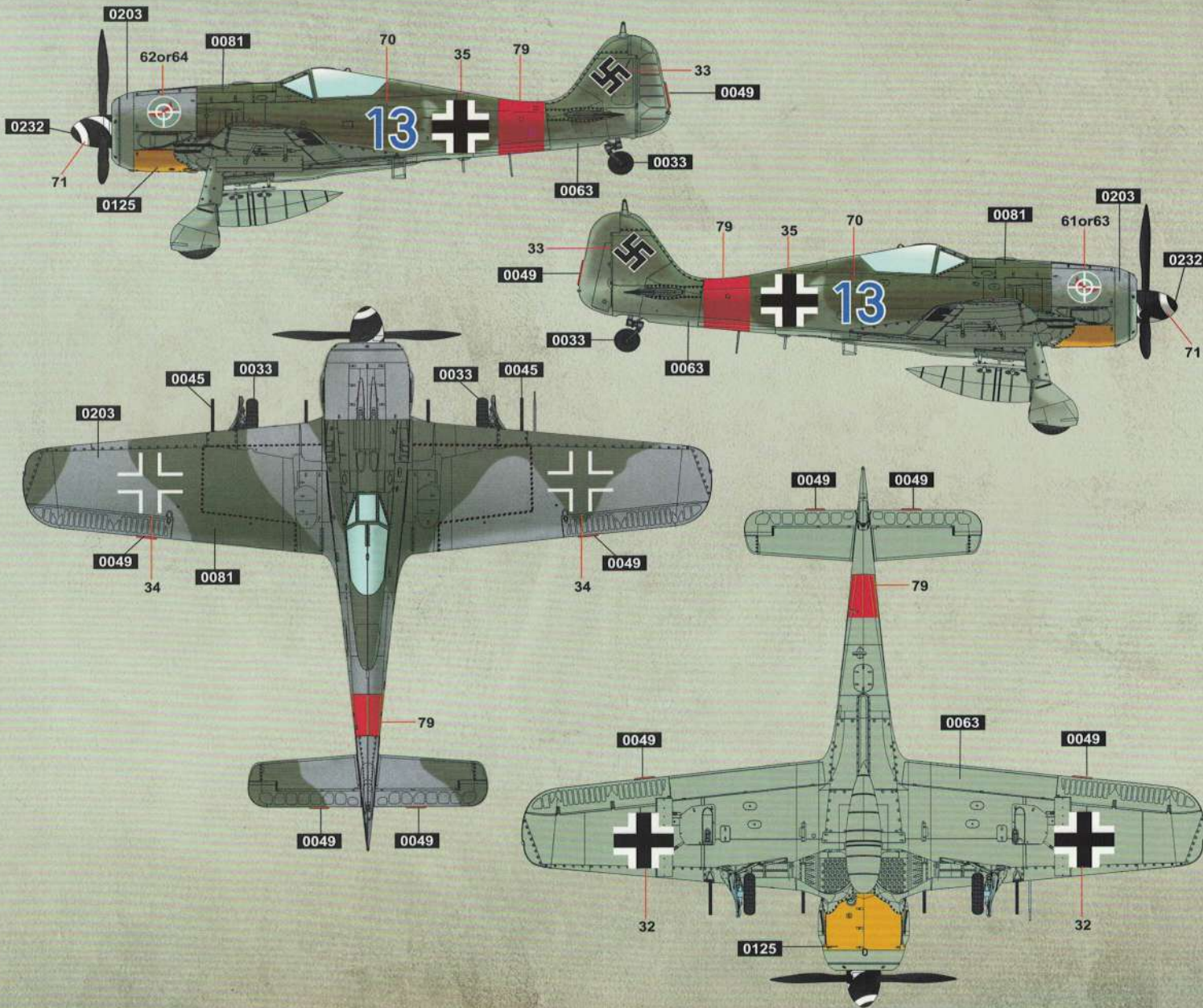
1 COCKPIT A.MIG-0218 RLM 66 Schwarzgrau	3 PLW RLM76 A.MIG-1613 Panel Line Wash Blue Grey	5 PIGMENTS A.MIG-3011 Airfield Dust
2 INTERIOR WASH A.MIG-1008 Dark Wash	4 SHADERS RLM76 A.MIG-0861 Marine Blue Shader	6 FUEL STAINS A.MIG-1253 Streakingbrusher Grime

PAINTING AND MARKING GUIDE

BORDER MODEL REF: XXXX

 A.MIG-0033 Rubber & Tires	 A.MIG-0045 Gun Metal	 A.MIG-0063 RLM 76 Pale Grey	 A.MIG-0049 RED
 A.MIG-0232 RLM 70 Schwartrün	 A.MIG-0203 FS 36375 LIGHT OLMIVAS GHOST GRAY	 A.MIG-0125 RLM 04 GELB Gold Yellow	 A.MIG-0081 FS 24087 US OLIVE DRAB VIETNAM ERA

WATHER DAHL, Stab/JG 300, Jüterborg, Germany, December 1944



WEATHERING STEPS WITH AMMO PRODUCTS

1 COCKPIT A.MIG-0218 RLM 66 Schwartzgrau	3 PLW RLM75 A.MIG-1613 Panel Line Wash Blue Grey	5 PLW RLM75 A.MIG-1611 Panel Line Wash Black Night	7 SHADERS RLM74 A.MIG-0866 Dark Green Shader	9 PIGMENTS A.MIG-3011 Airfield Dust
2 INTERIOR WASH A.MIG-1008 Dark Wash	4 PLW RLM74 A.MIG-1612 Panel Line Wash Green Brown	6 SHADERS RLM76 A.MIG-0861 Marine Blue Shader	8 SHADERS RLM75 A.MIG-0857 Navy Grey Shader	10 FUEL STAINS A.MIG-1253 Streakingbrusher Grime

Border



WWW.BORDERMODEL.COM