

E-100 Flakpanzer w/Flakrakete Rheintochter I












E-100防空坦克(搭载"莱茵女儿"火箭)

READ BEFORE ASSEMBLY:

- Study and understand these instructions thoroughly before beginning assembly
- When needed, remove photo-etch parts carefully using a modeling knife or photo etch sprue cutter, being careful not to damage or lose small parts.
- Take extra care in handling photo etch parts in order to avoid injury
- Apply instant cement sparingly to photo etch parts where instructed
- Tools recommended(not included in kit):Plastic and instant cements, sprue cutters,long nose pliers,modeling knife, small files, tweezers, pin vise & scissors. Soft cloth and sandpaper will also assist in construction
- Glue and paint are not included in the kit. Use plastic cement and hobby paints only. Color guide for purchasing paint is included in the kit.

装配之前仔细阅读

- 小心用模型锉刀锉平所有零件表面的注射浇口。
- 小心用刀片切下蚀刻片零件，不要遗失小零件。
- 用强力快干胶水粘合蚀刻片零件和金属轴。过量快干胶水使用可能导致可动零件会粘住，小心涂胶。
- 取蚀刻片时应特别注意安全，防止利边划伤手指。
- 某些零件表面需贴上水贴纸，请选择在装配的同时进行。
- 推荐模型工具(自备)：胶水，水口剪刀，长咀钳，刀片，锉刀，镊子，钳，钻，剪刀，瞬间快干胶。
- 软布同砂纸同时也是所需工具。
- 请使用塑料胶水和油漆，模型内不含。

 使用强力胶 Cyanoacrylate glue	 配重 Weight	 钻孔 Make hole	 切除 Cut / Remove	 贴纸 Decal
 锉平 File / Sand	 选择 Option	 不涂胶水 No cement	 弯曲 Bend	 先装 Install it first
 填补 Repair				

水贴纸的使用:

- 1.从水贴纸上剪下印花;
- 2.将印花放入温水中浸10秒，然后放在干净布上。
- 3.拿着印花纸板将印花移到模型上;
- 4.手指蘸水将印花移到适当的位置;
- 5.用软布轻压印花直至水干，气泡消失

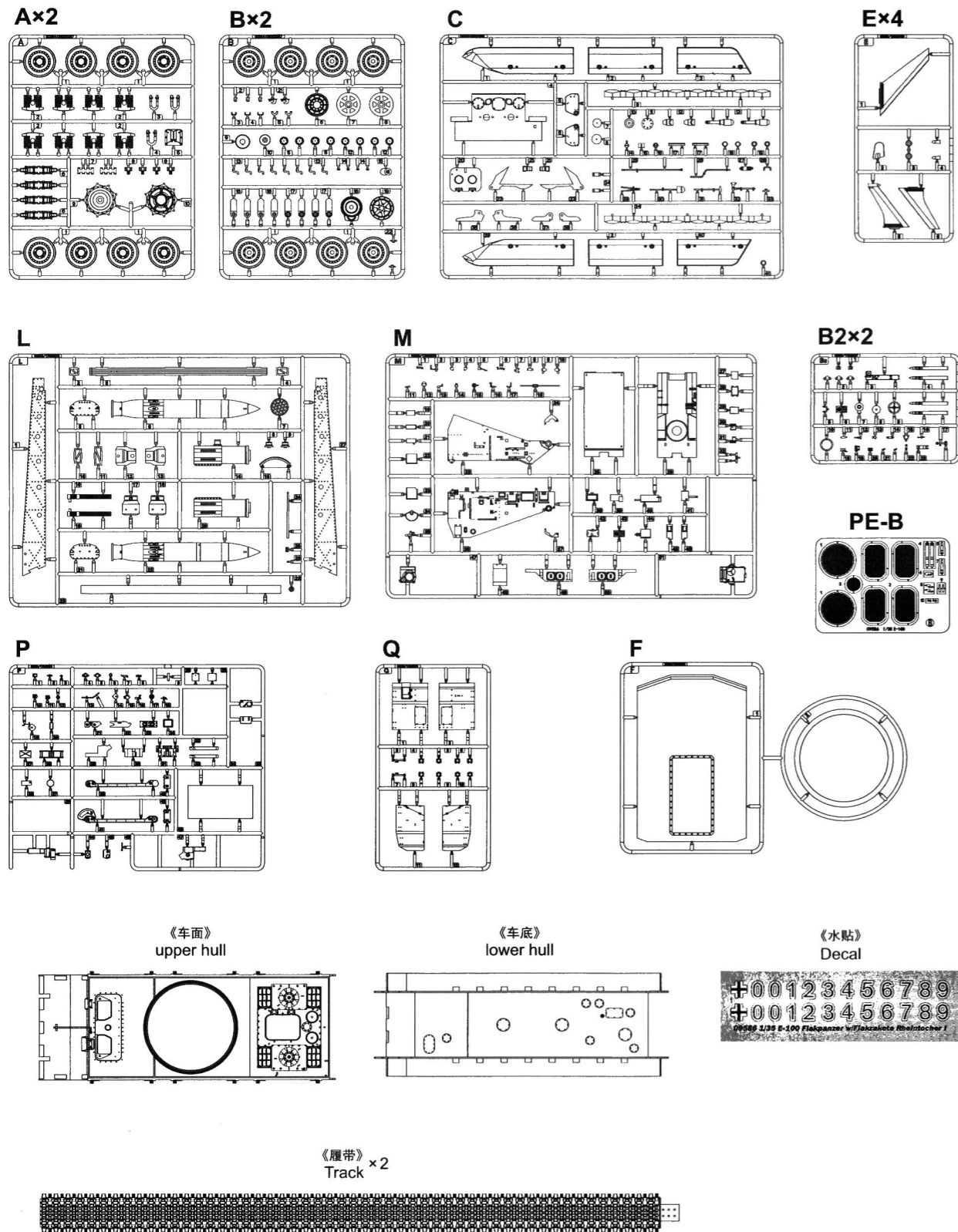
DECAL APPLICATION

- 1.Cut decals from sheet as needed
- 2.Dip the decal in warm water for about 10 seconds and then place on soft clean cloth.
- 3.Hold the decal backing sheet edge and gently slide the decal onto the model in its proper position.

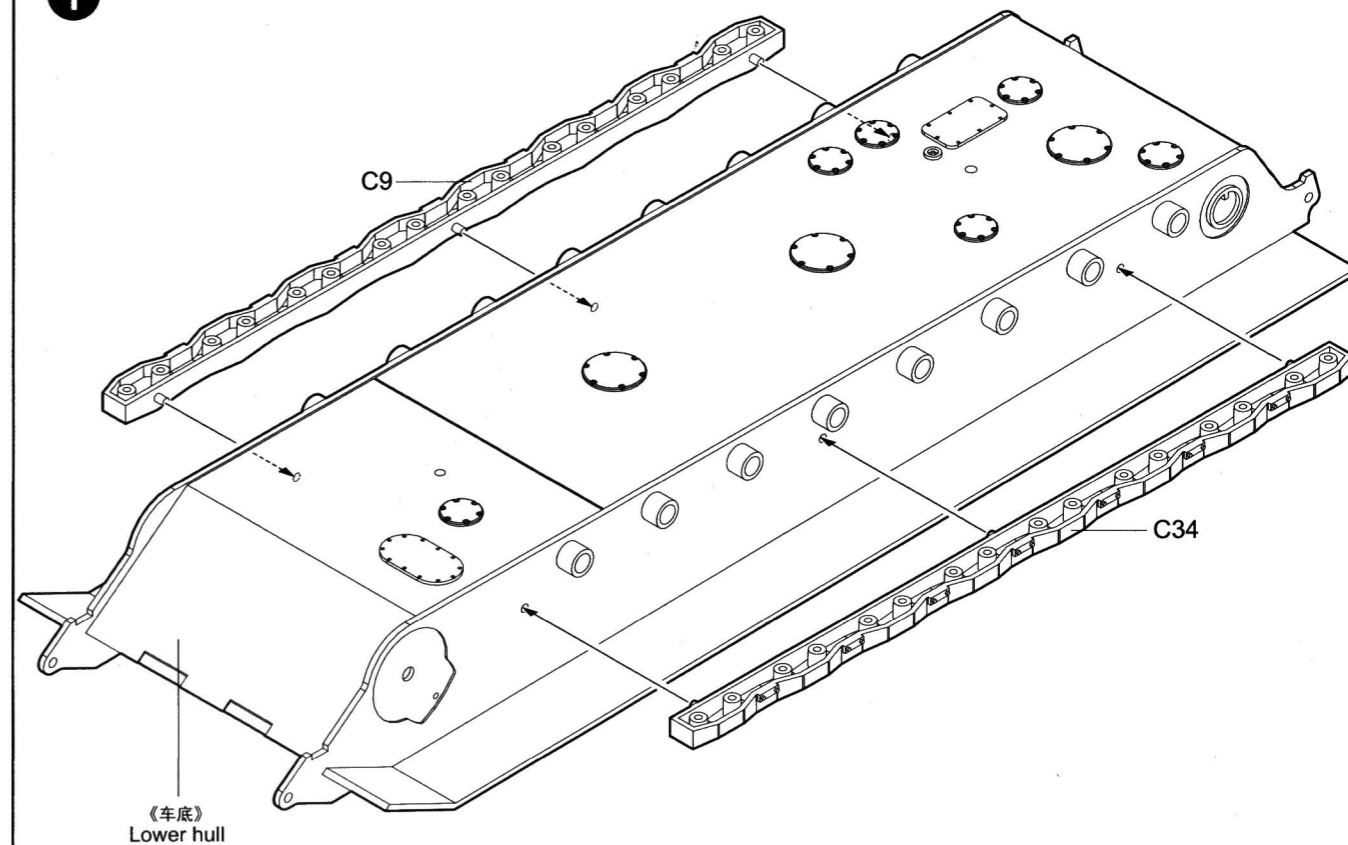
- 4.While still wet,decal can be adjusted for better fit on model by dampening it gently with your finger.
- 5.When placed in the proper position,gently press decal down with a soft cloth until excess water and air bubbles are gone.
- 6.Allow decal to dry completely before handling model

★说明书中含有重要信息，应保留。 Please Keep instruction since it contains important information.

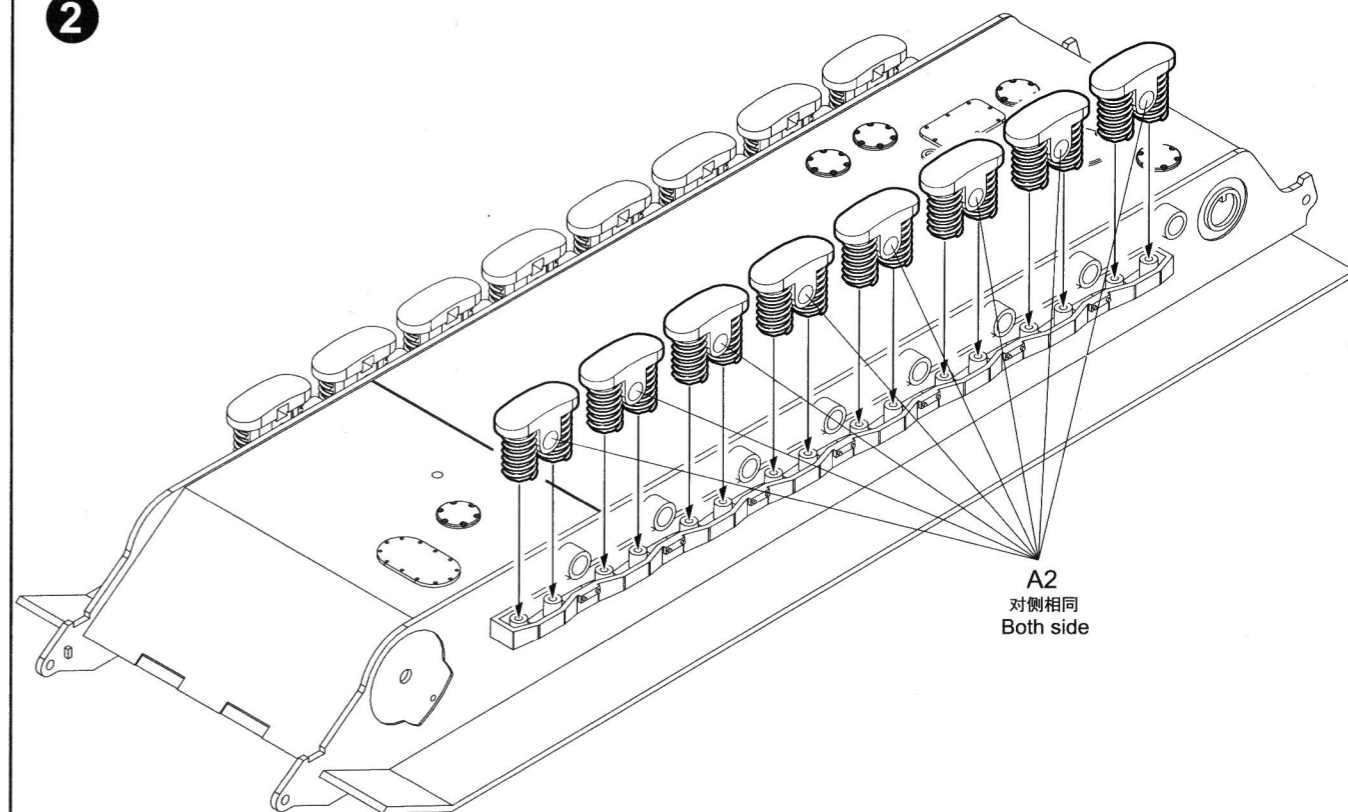
部品图
Parts

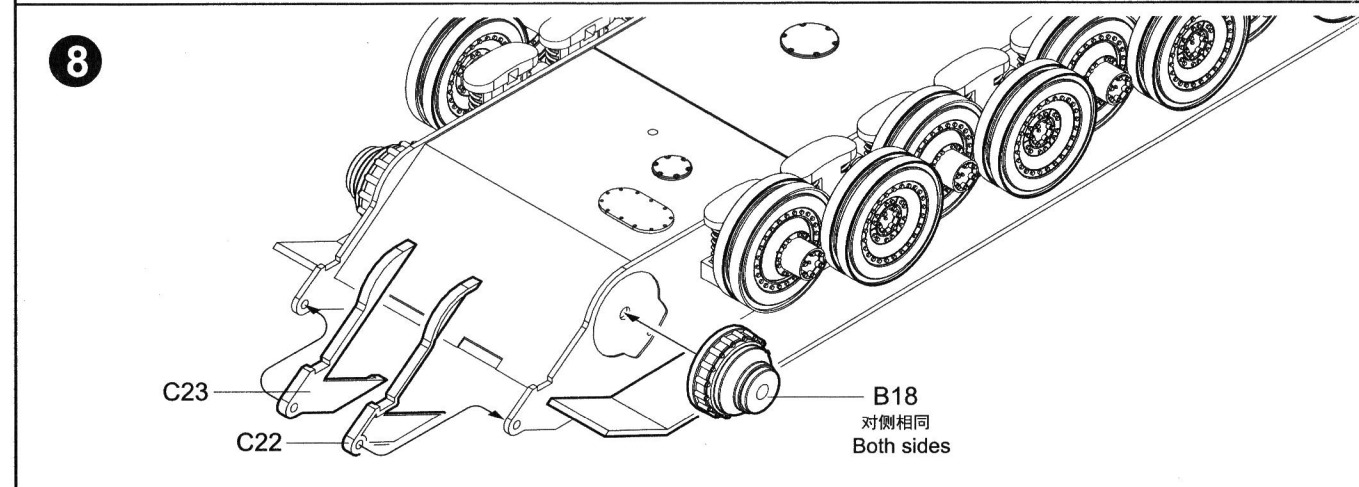
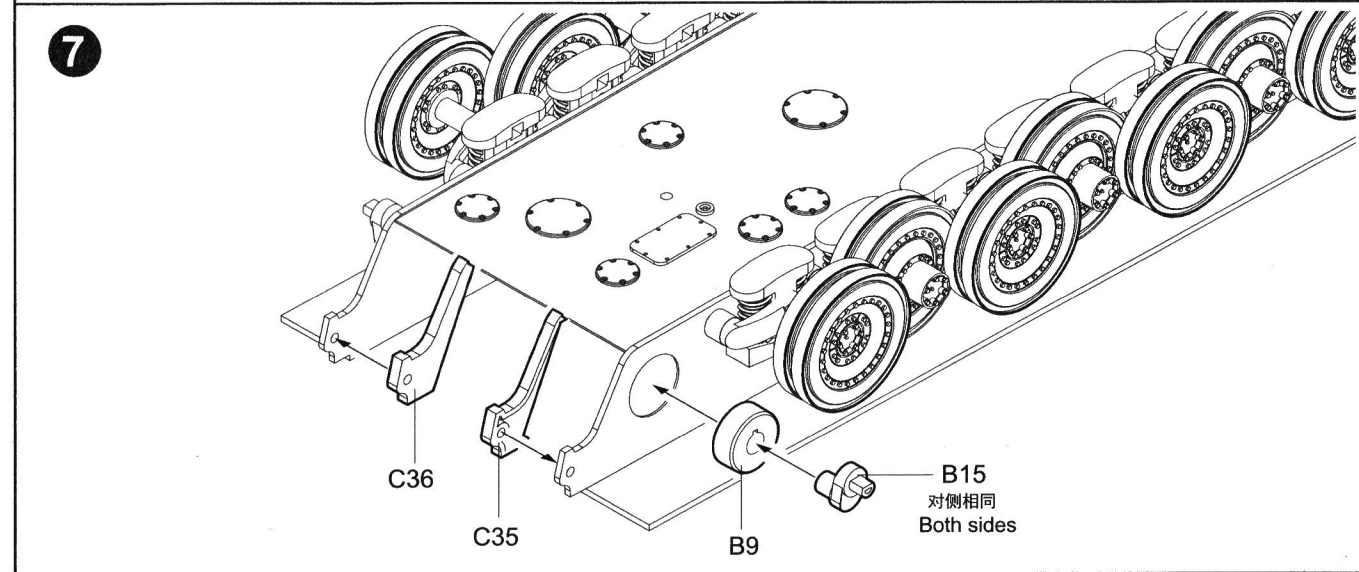
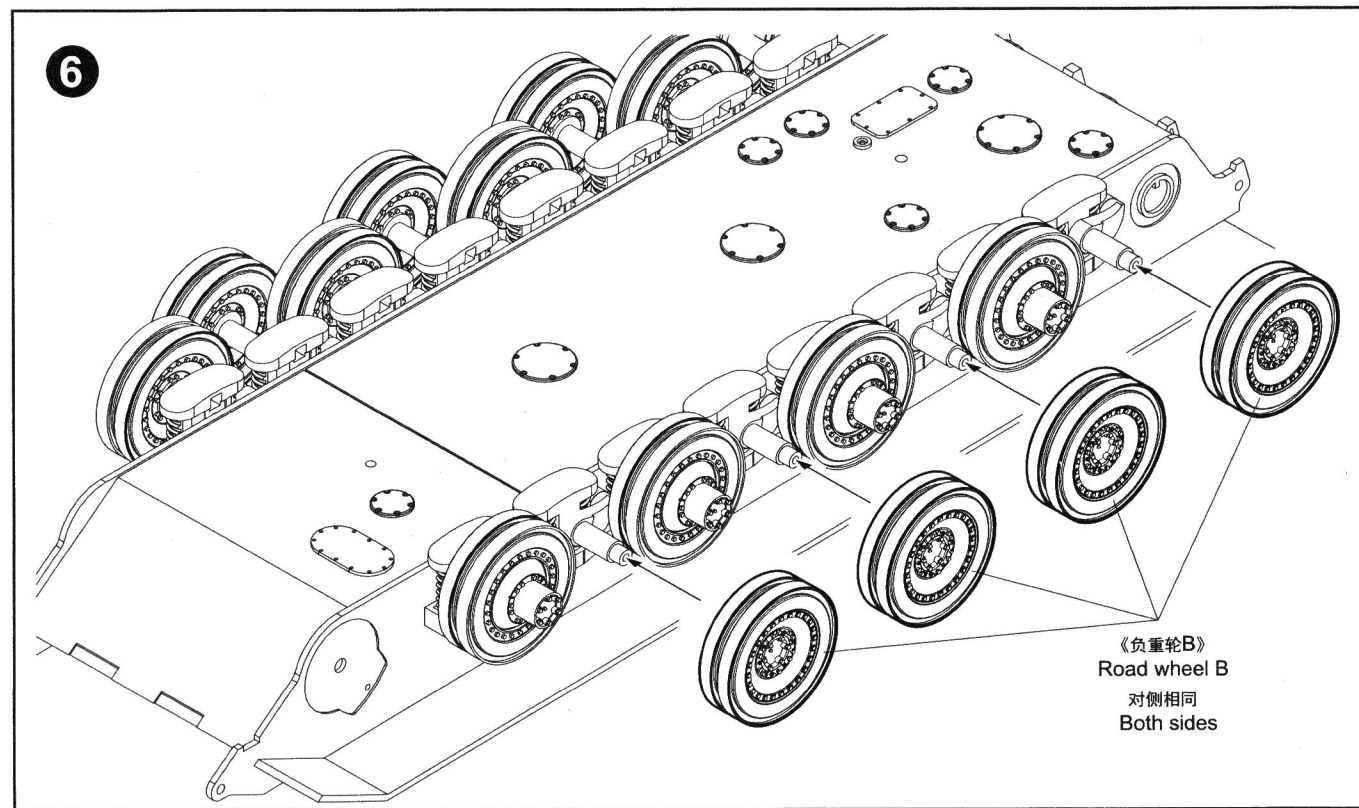
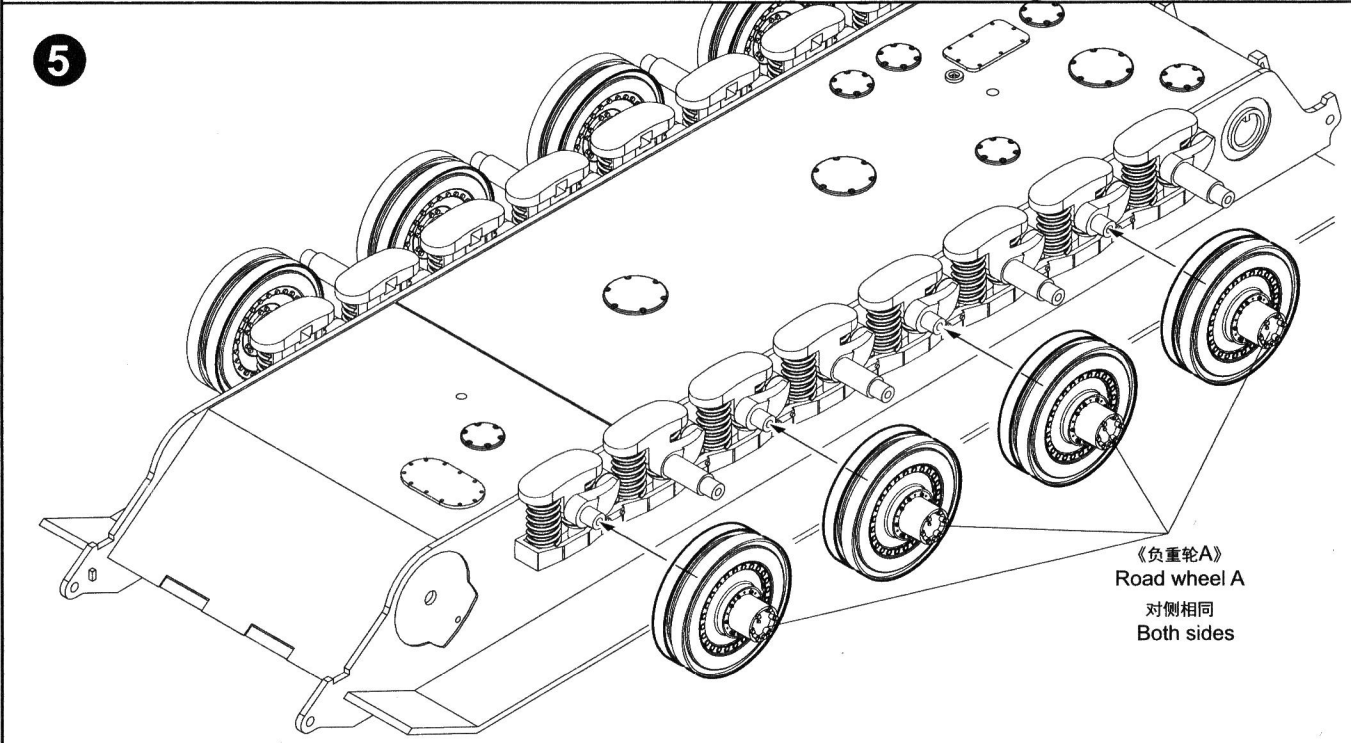
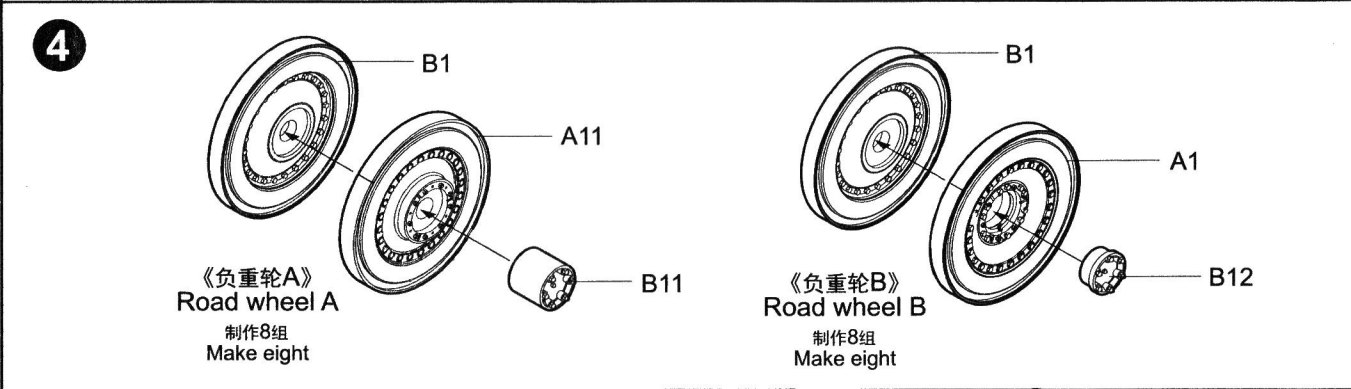
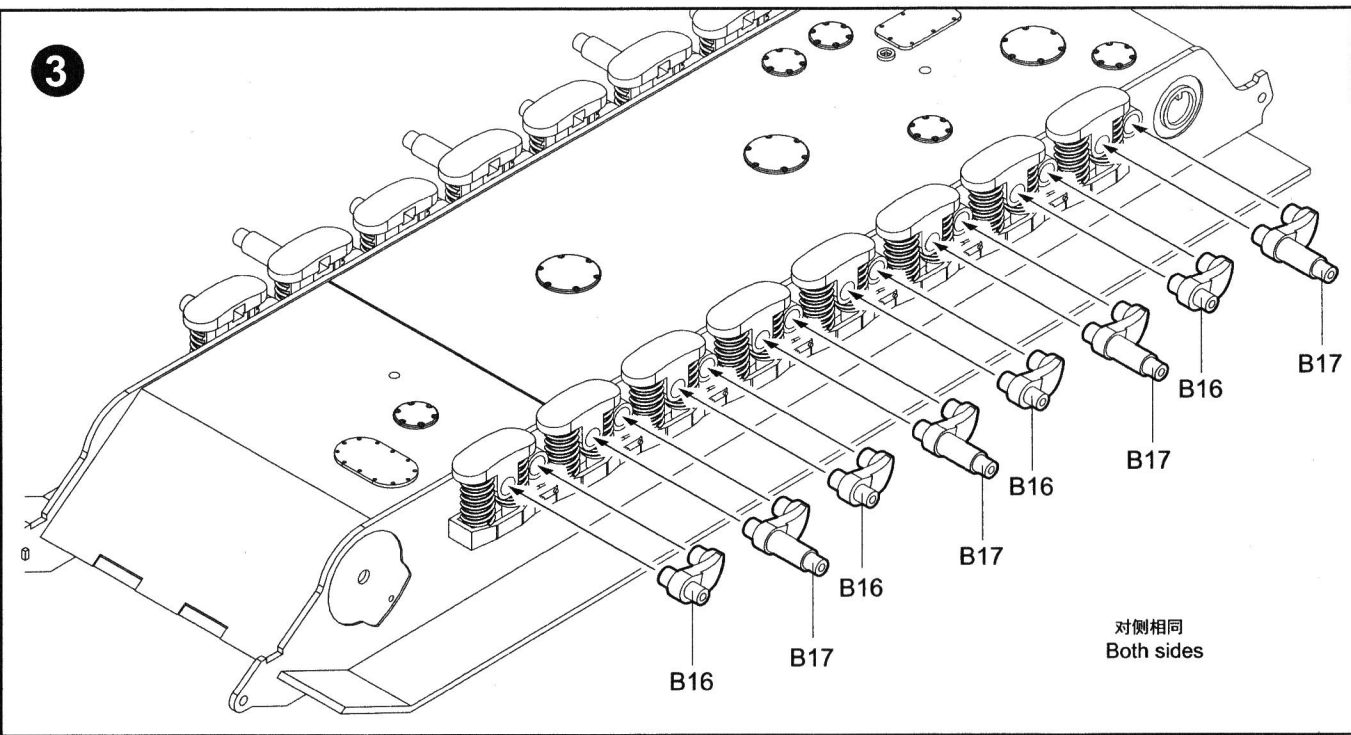


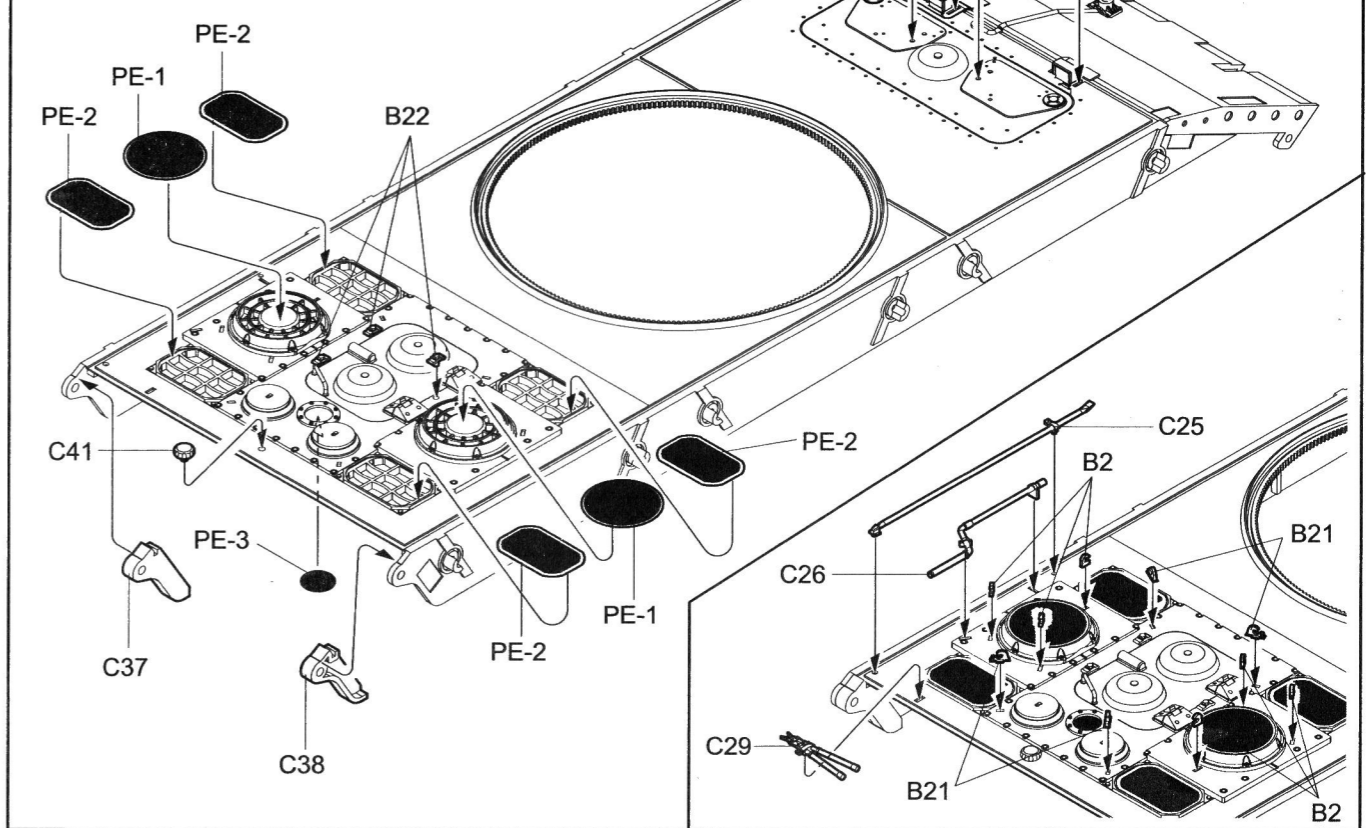
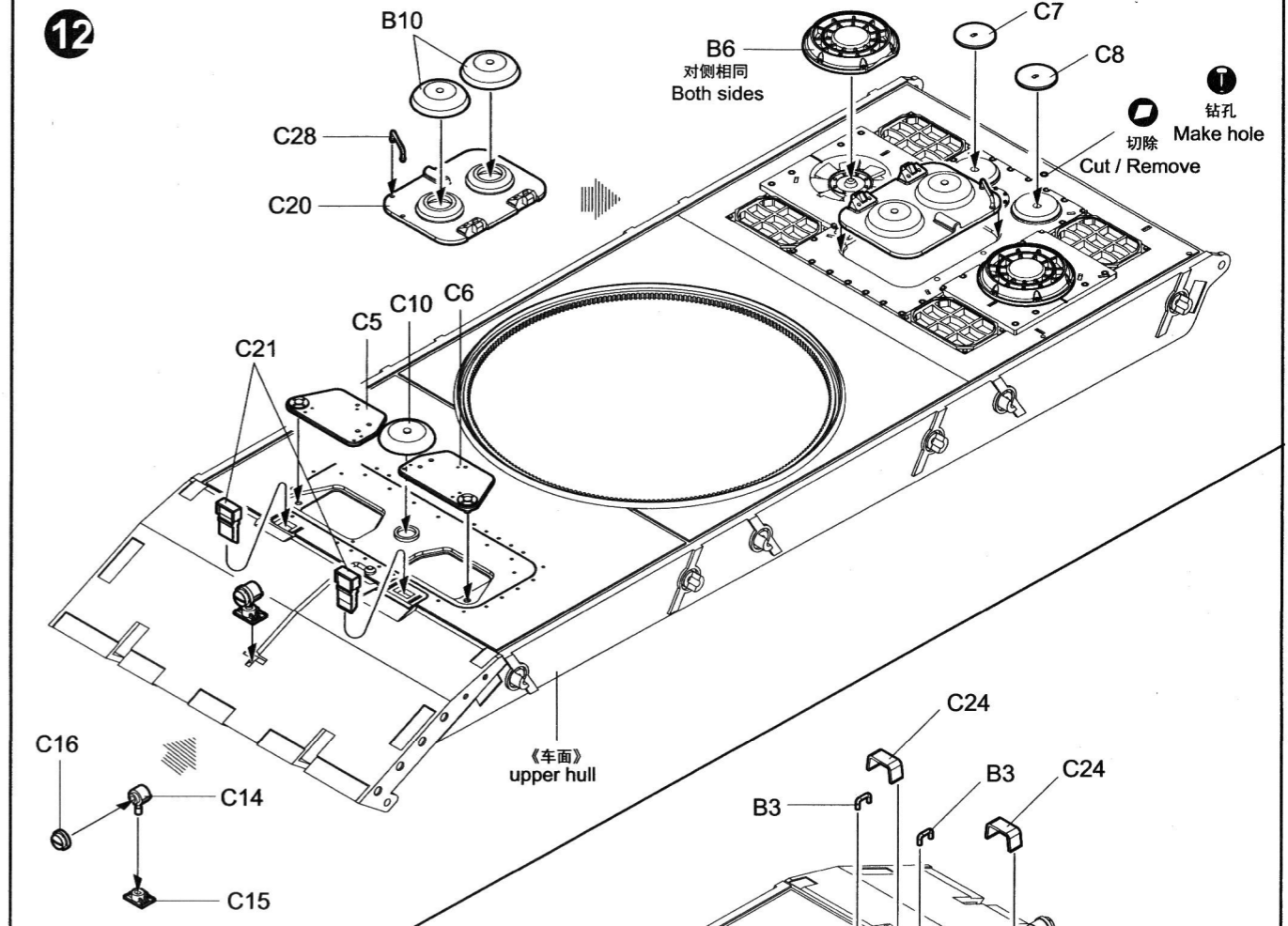
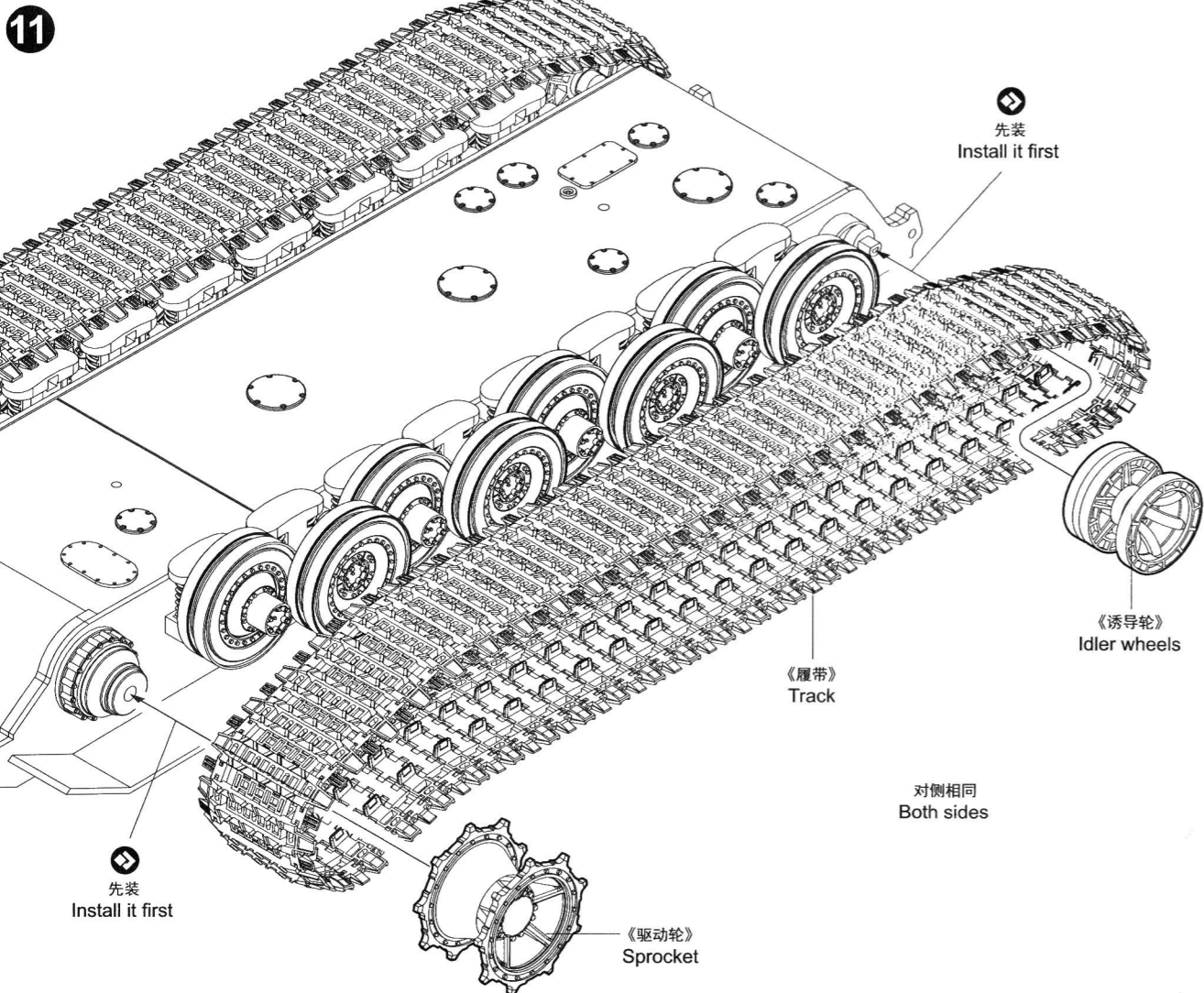
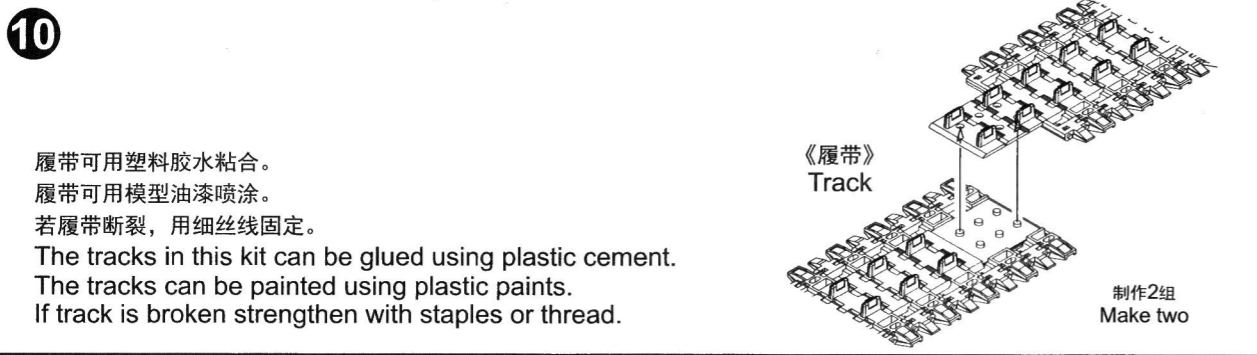
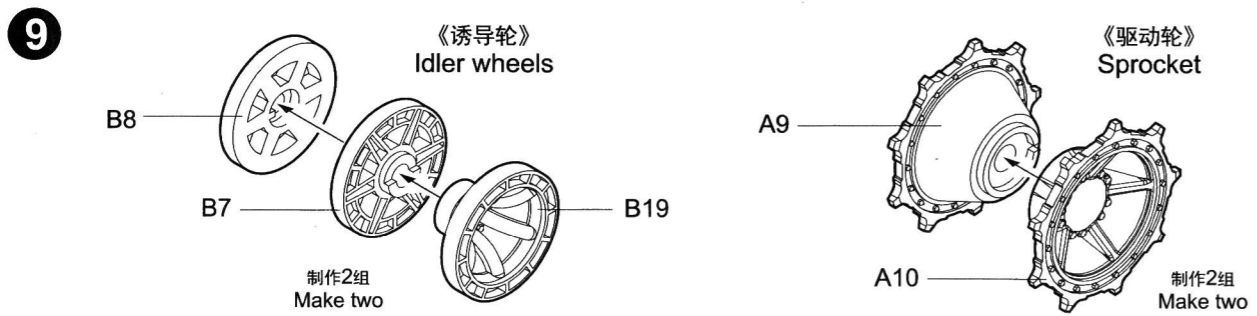
1



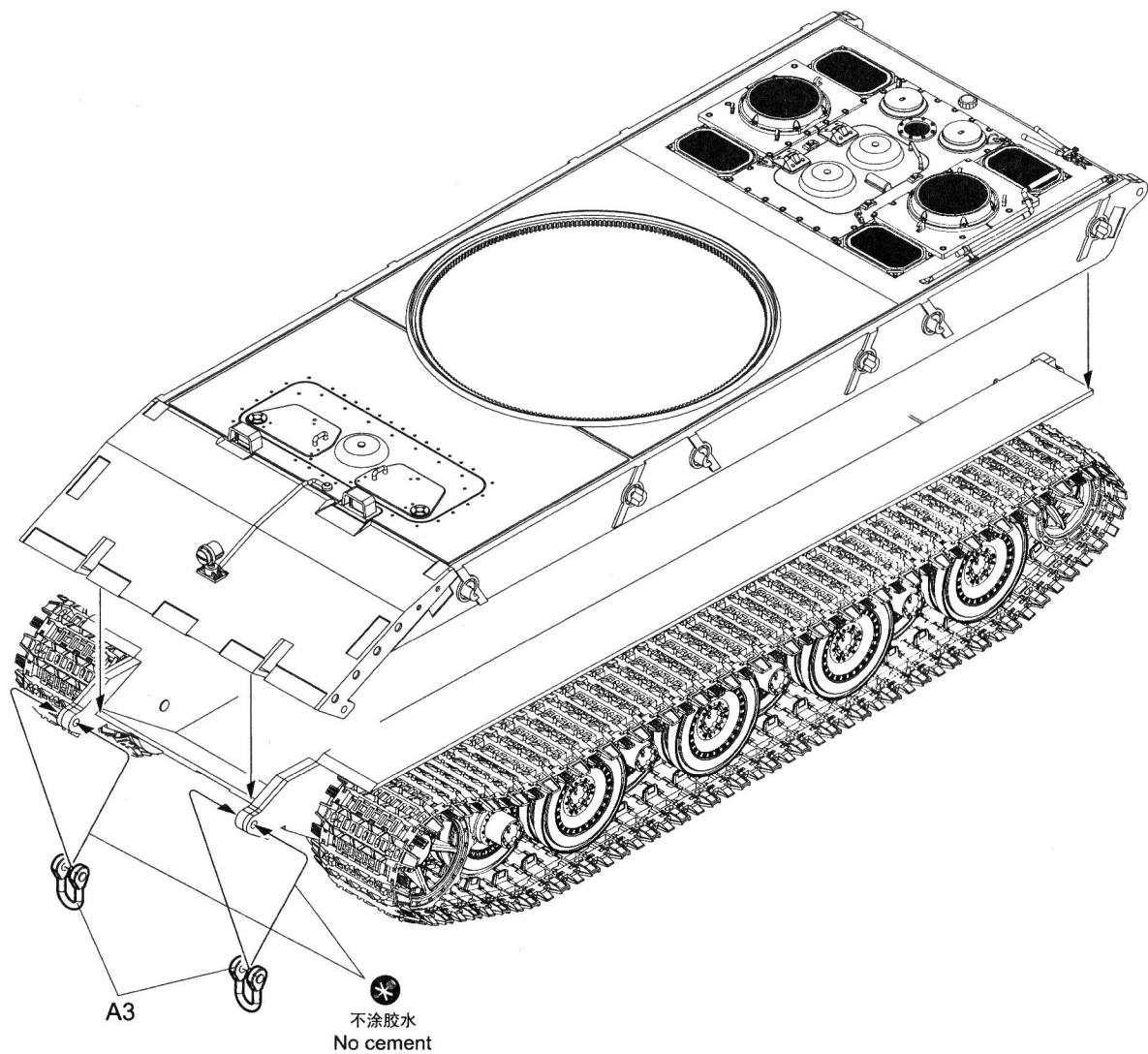
2



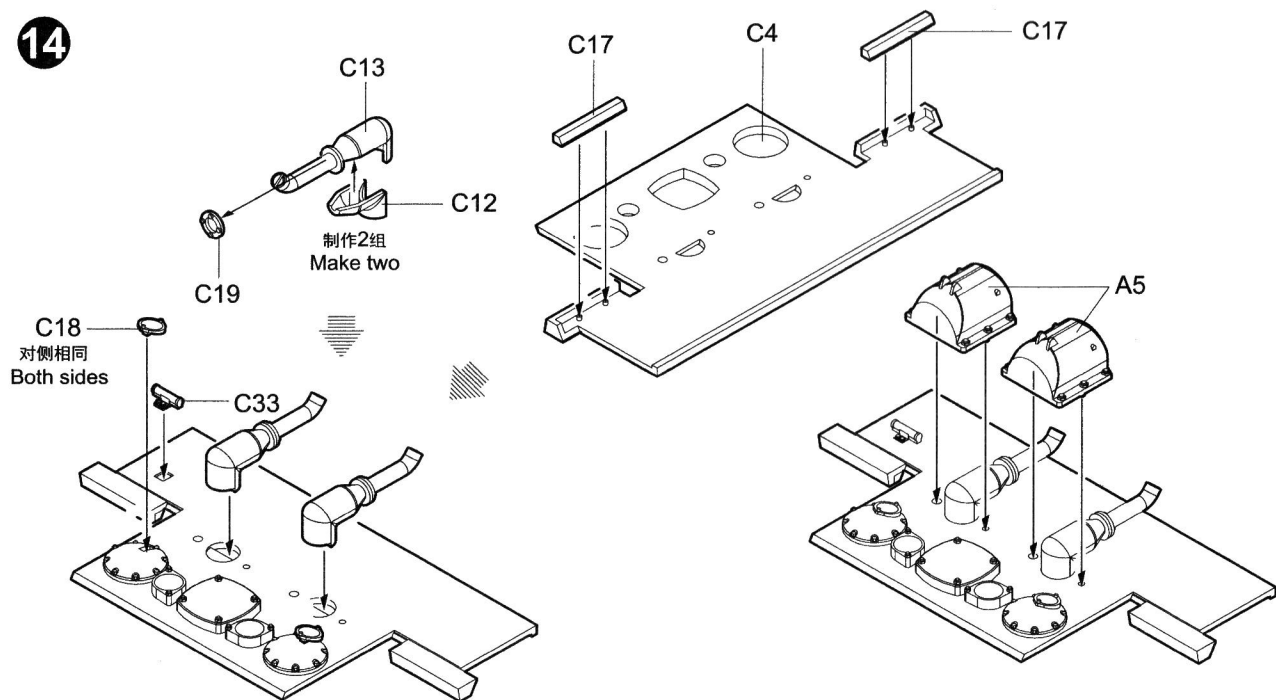




13



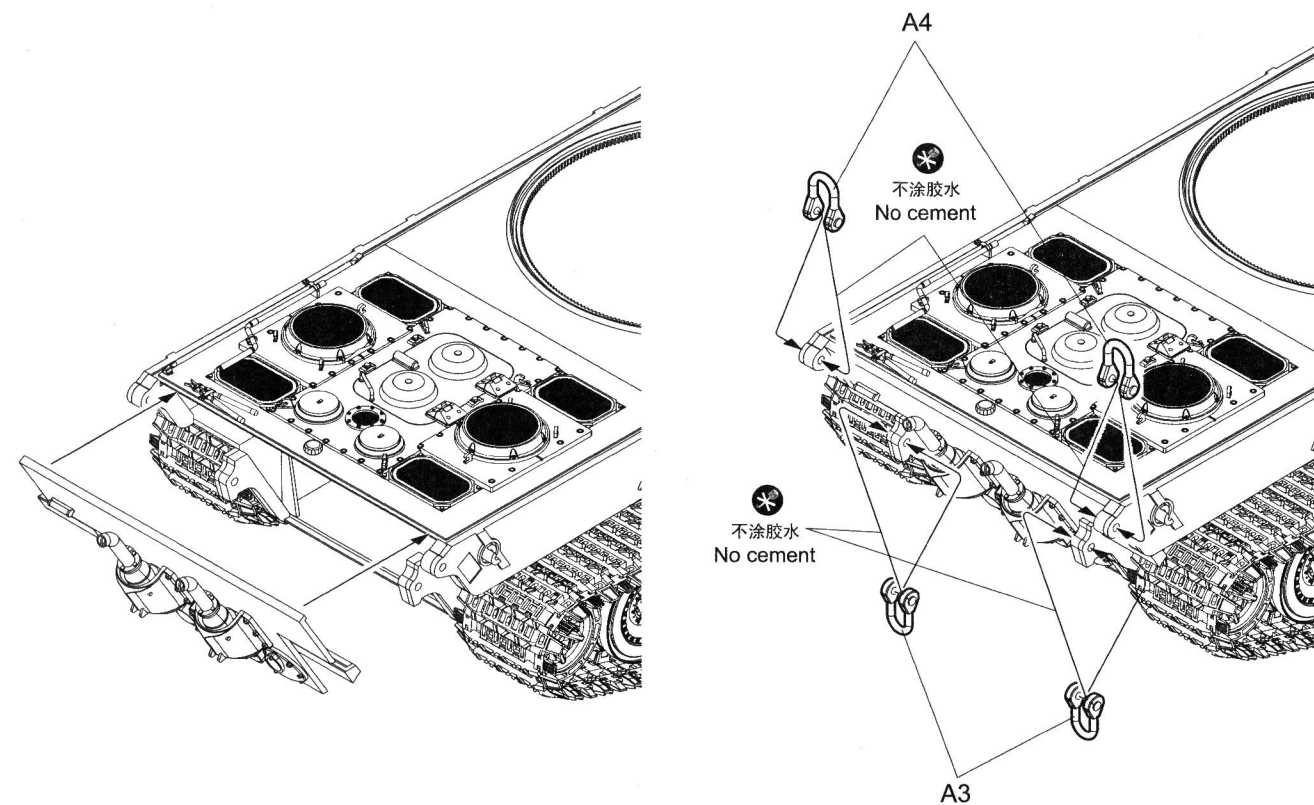
14



09586

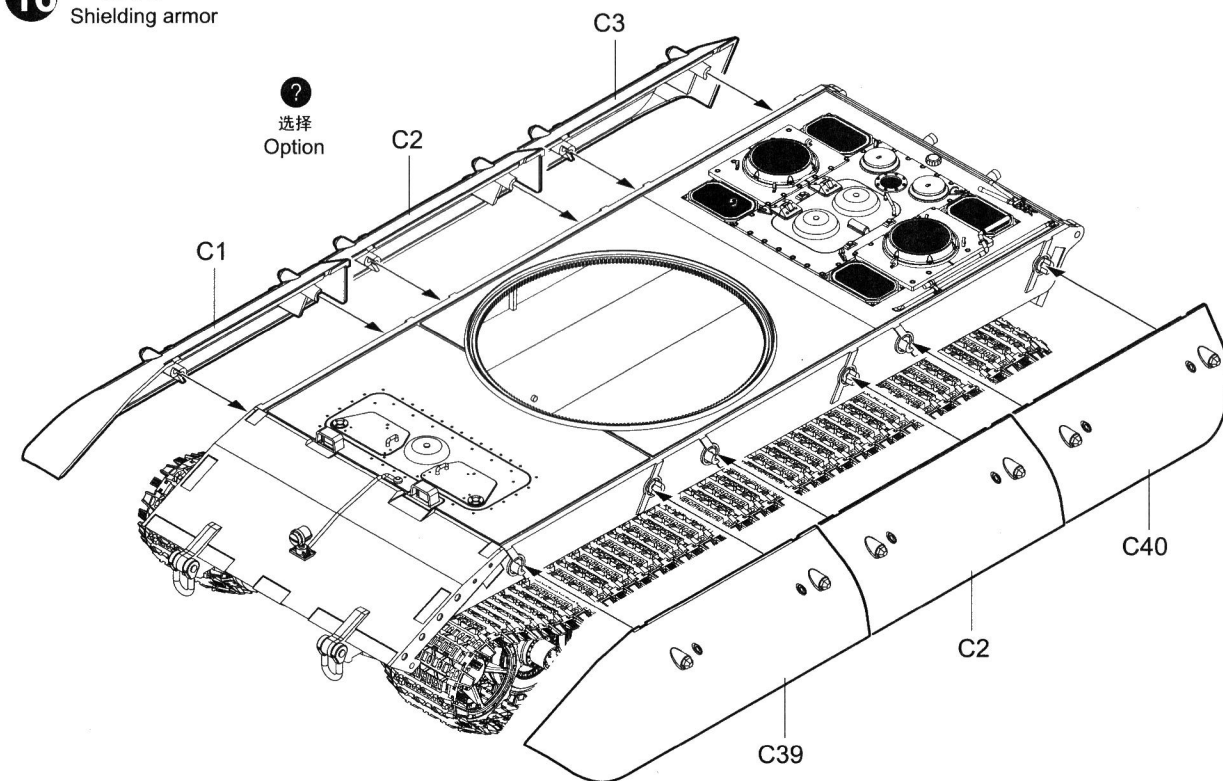
8

15



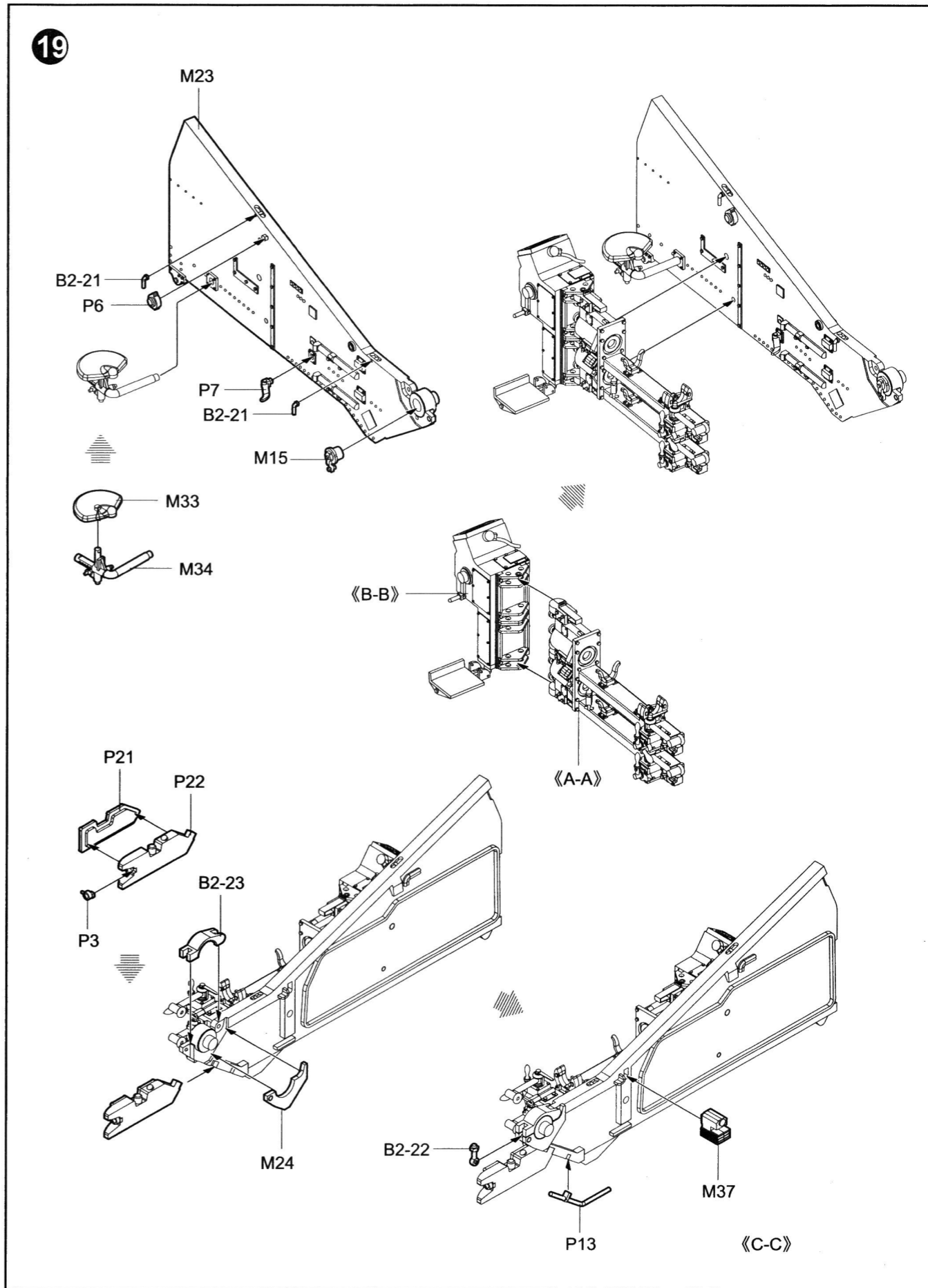
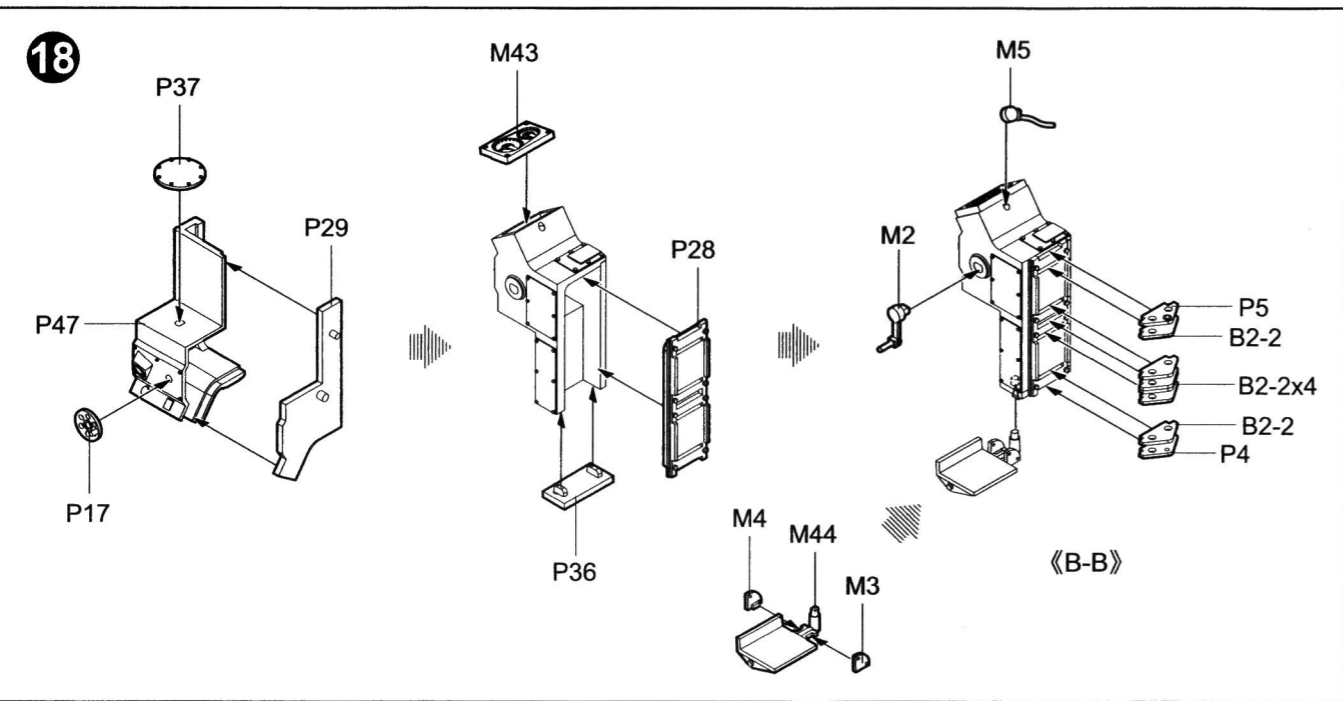
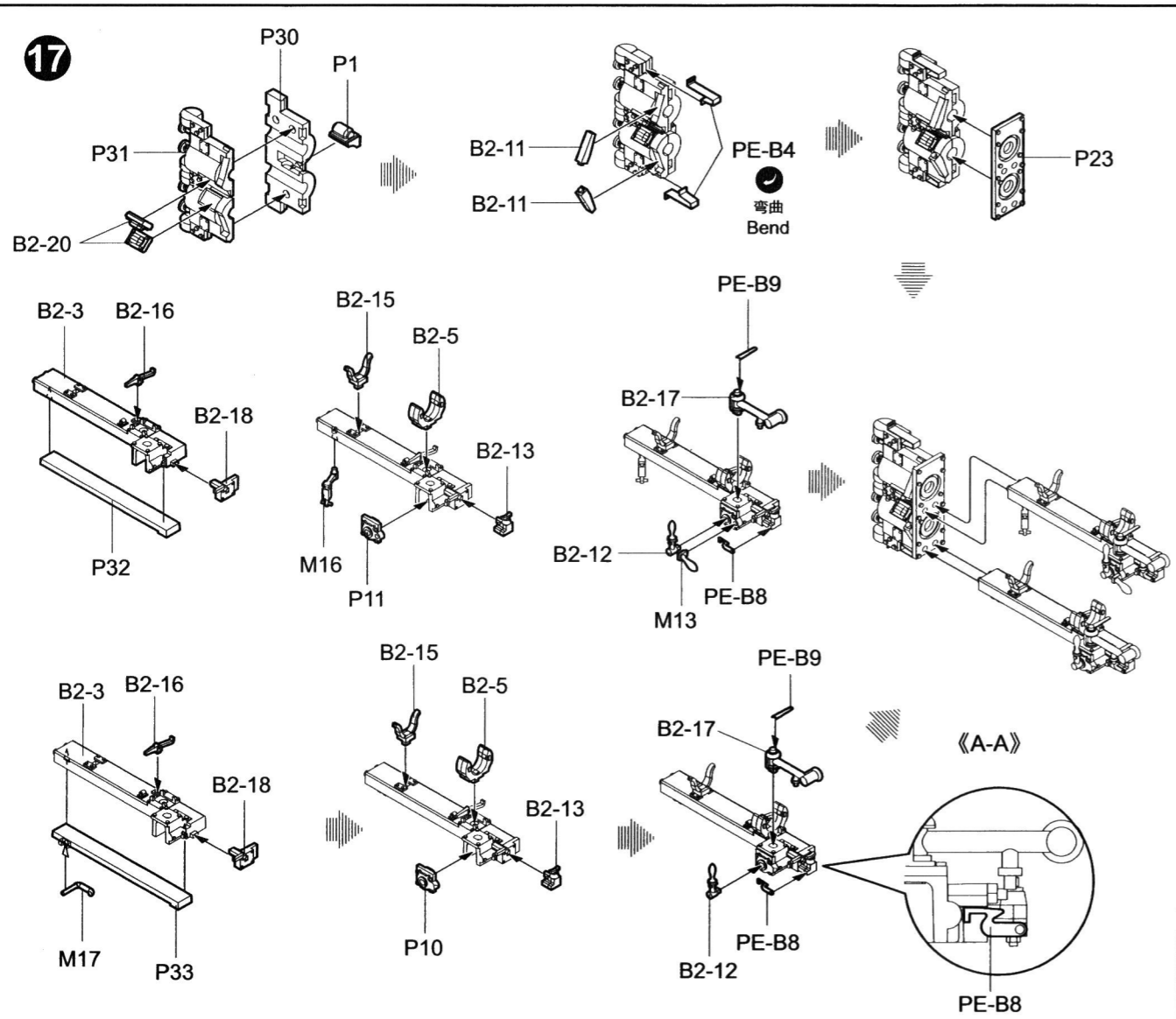
16

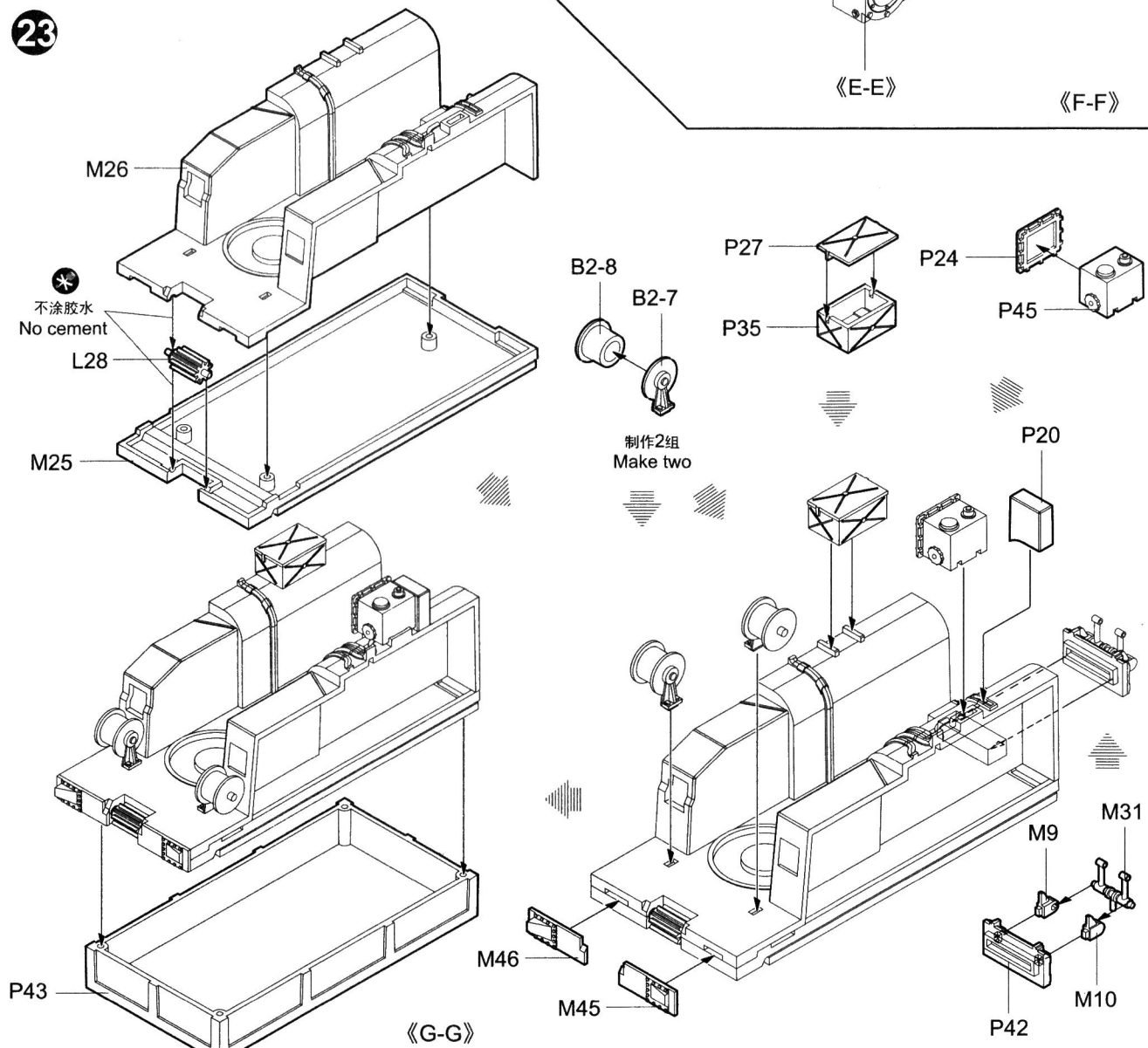
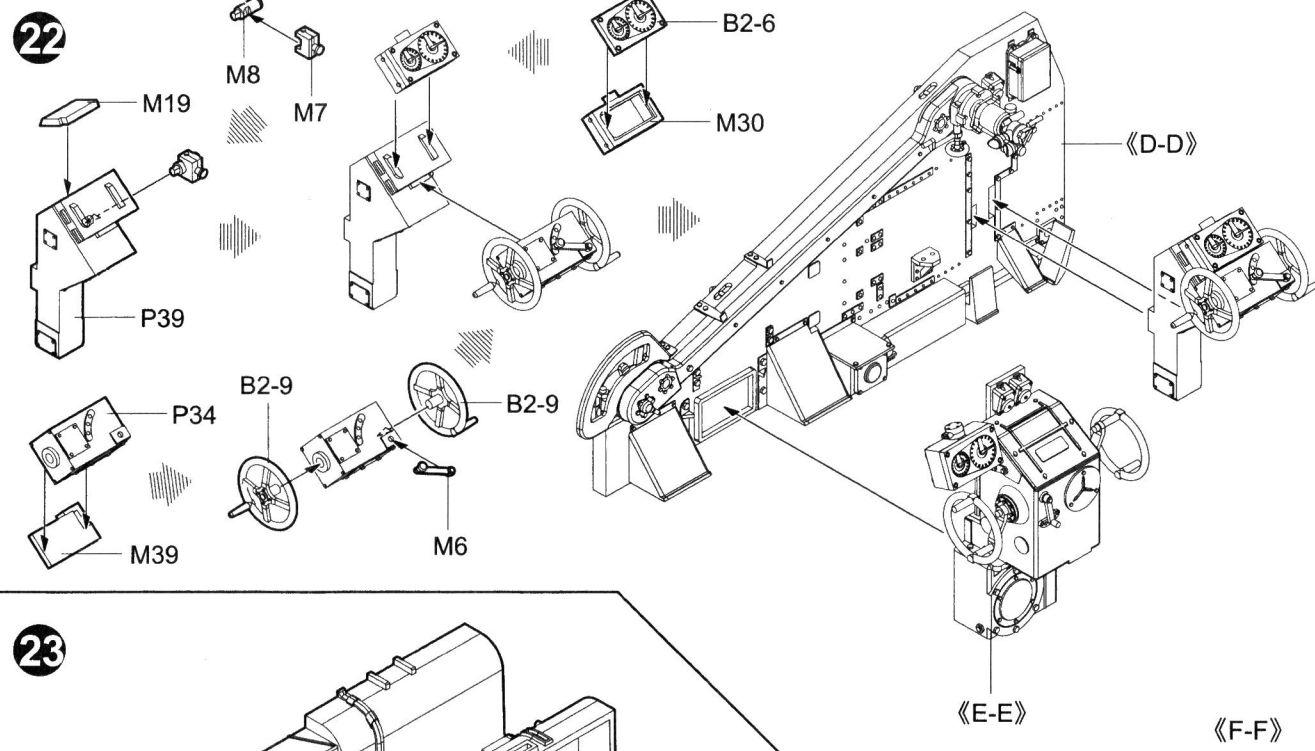
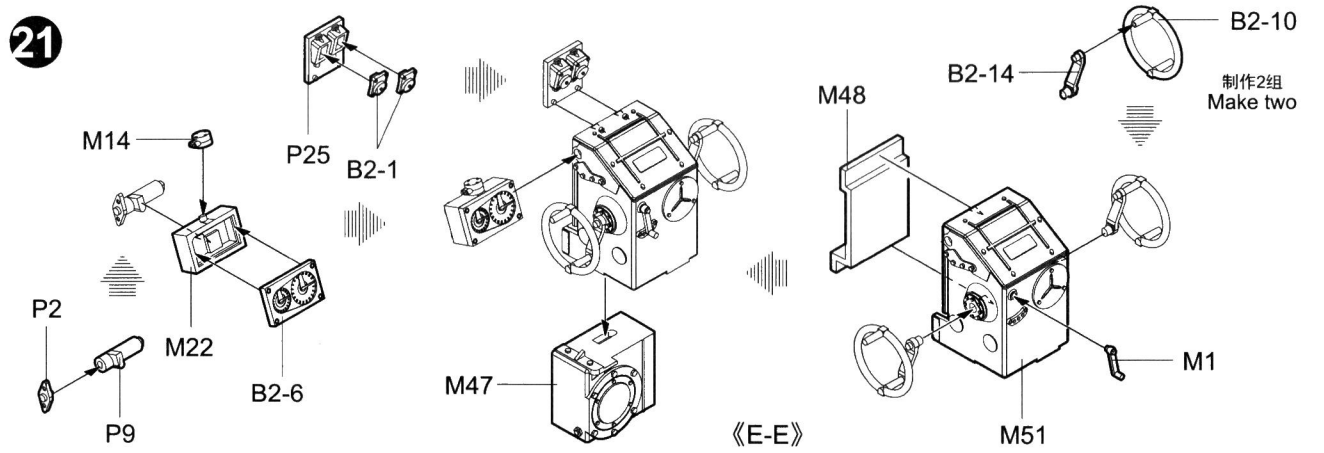
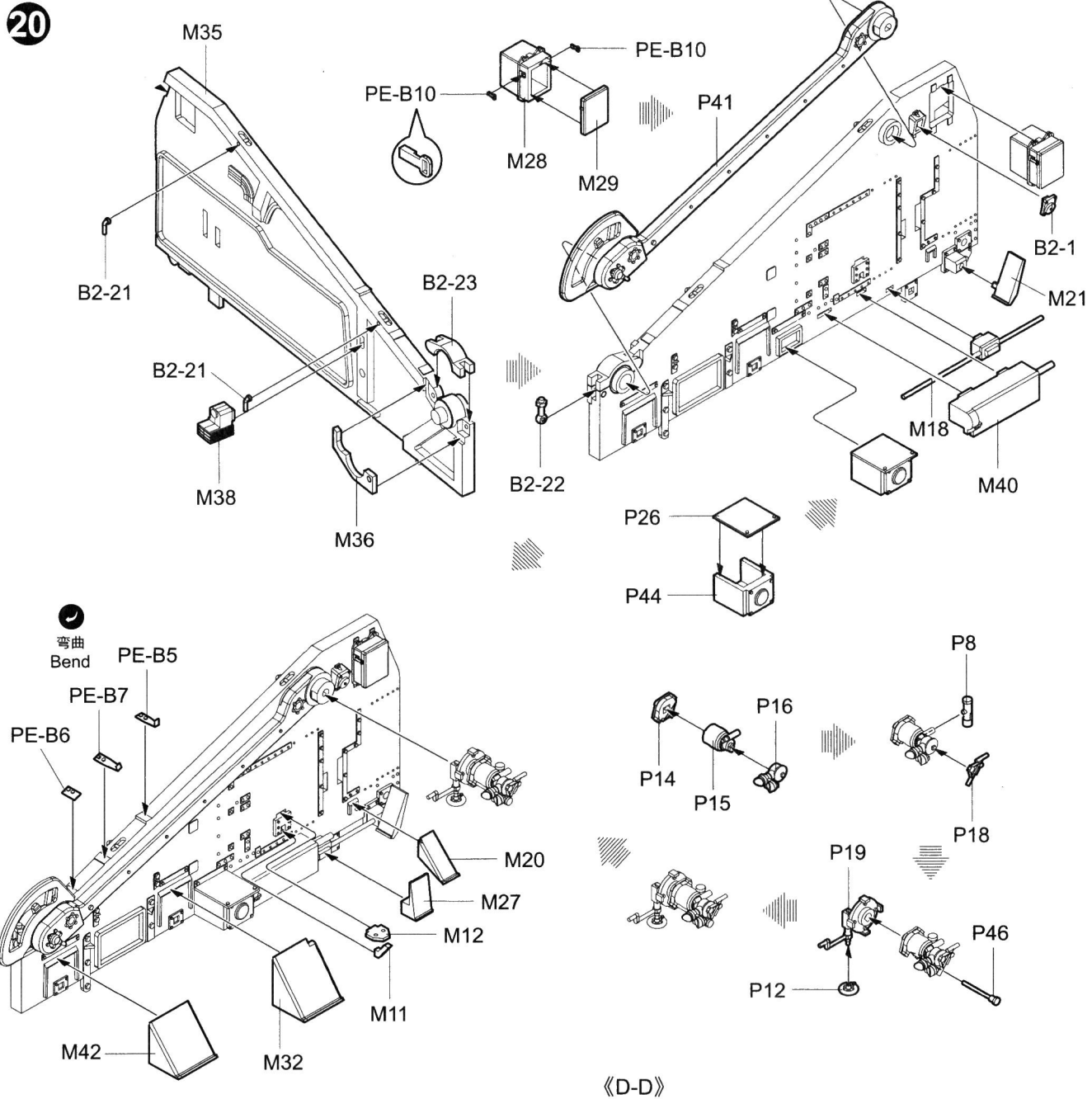
裙板安装
Shielding armor



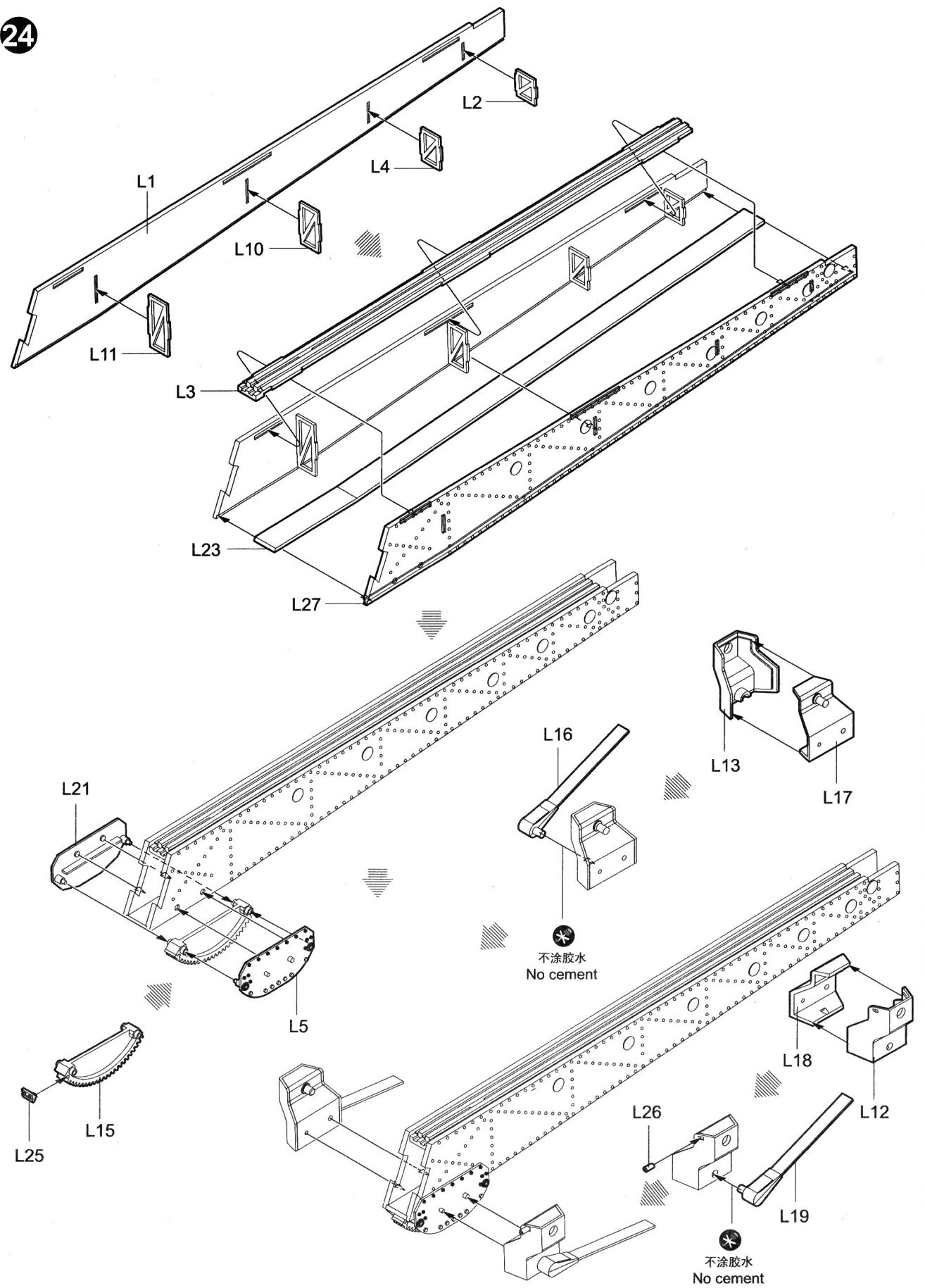
09586

9





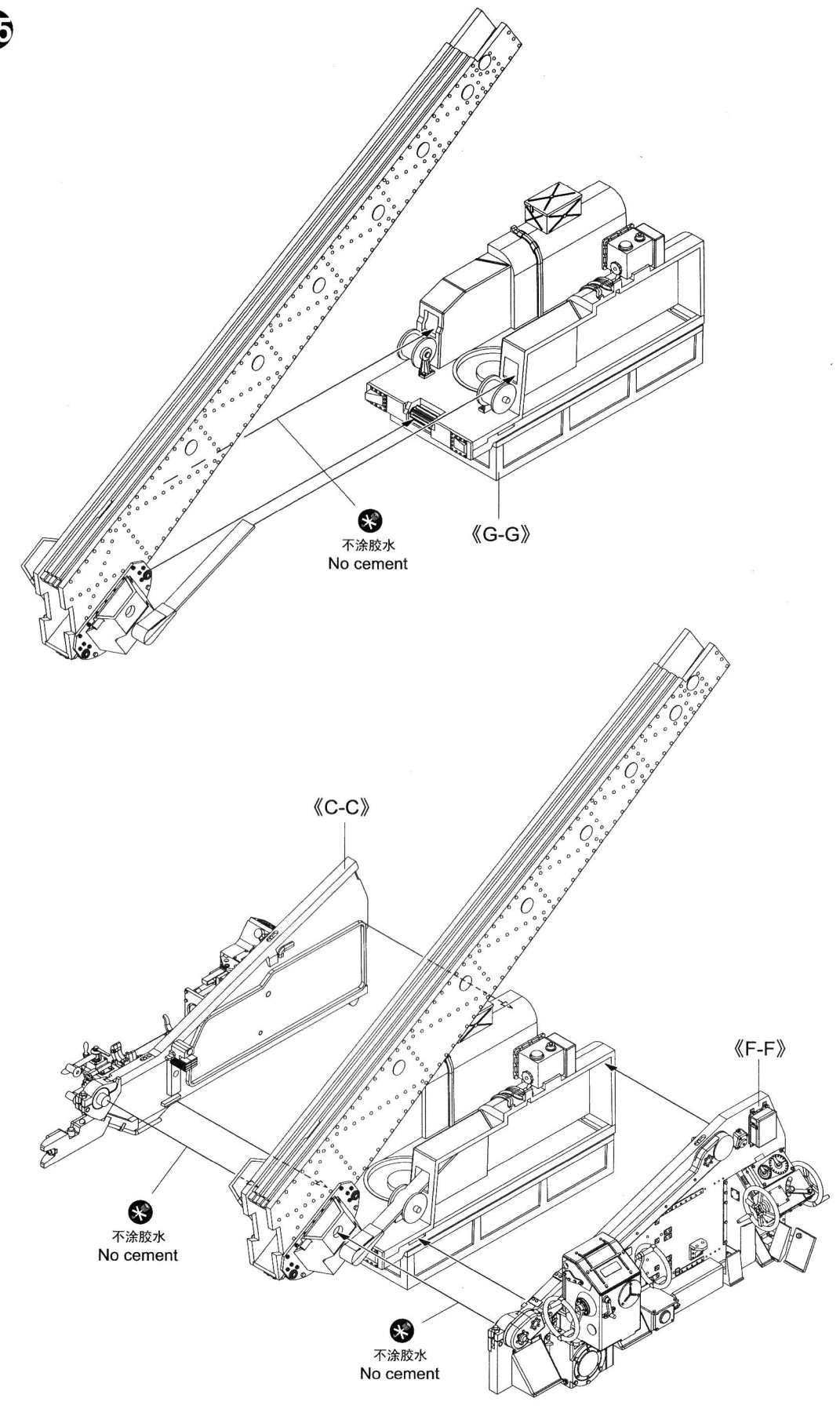
24



09586

14

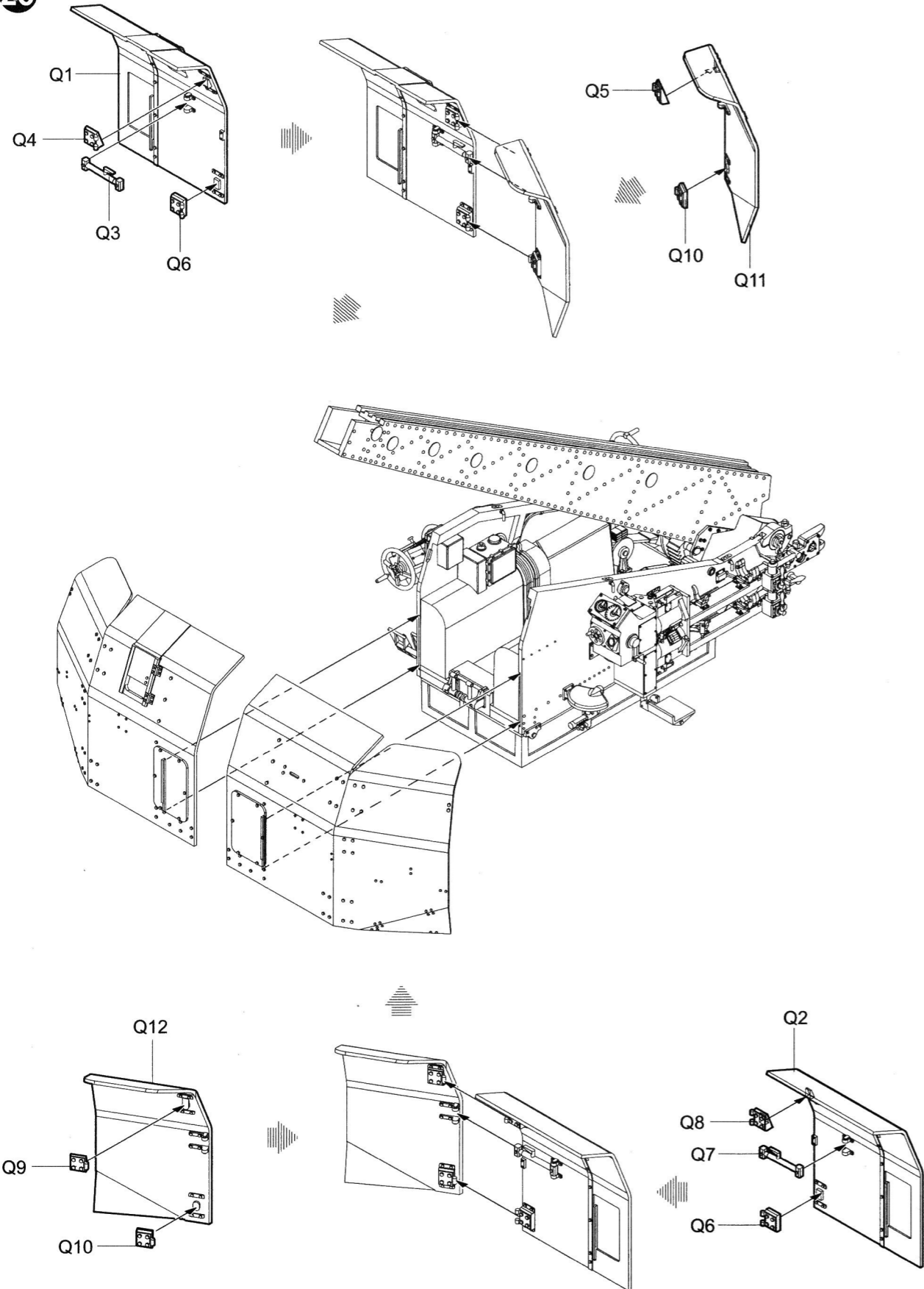
25



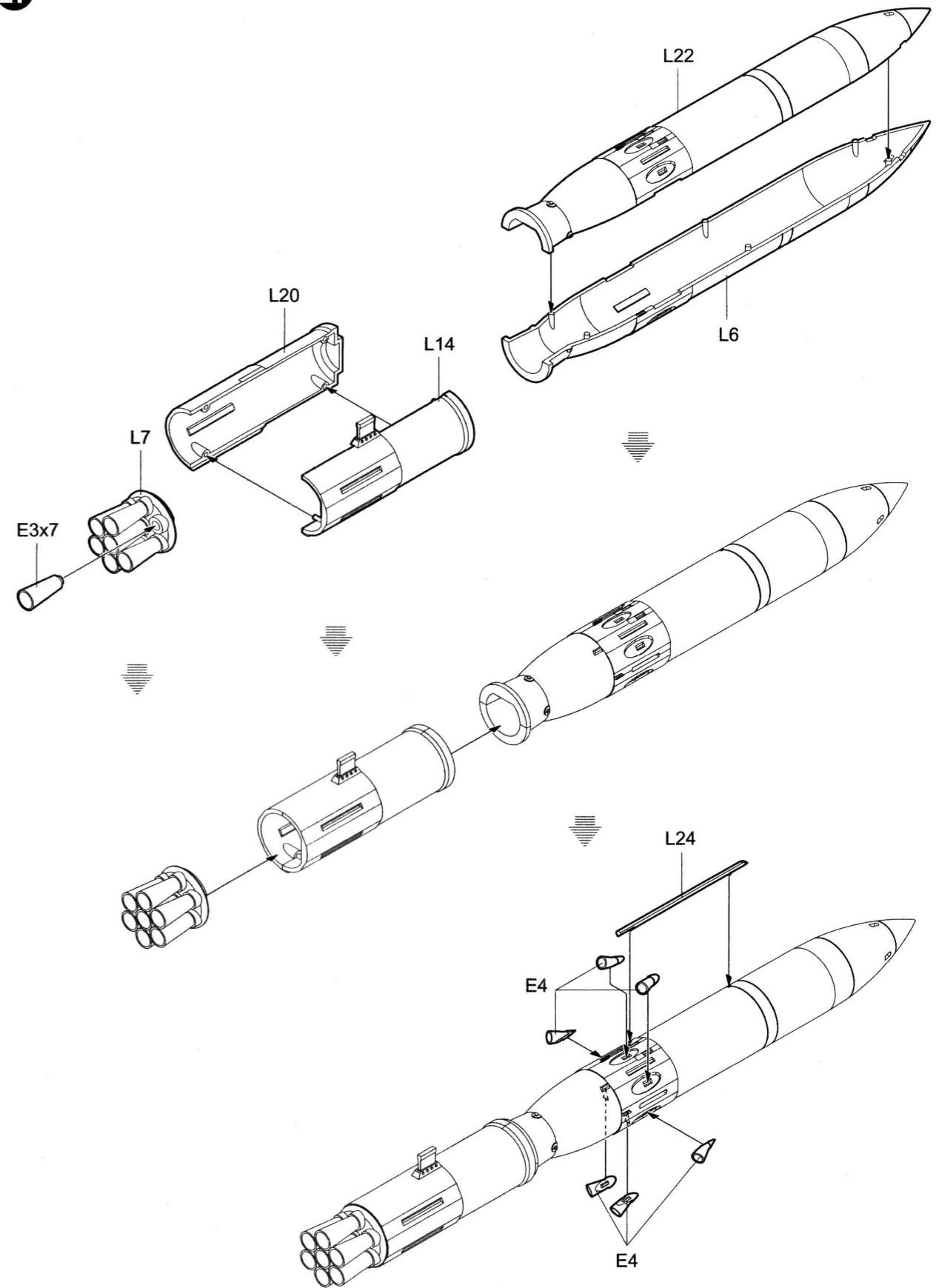
09586

15

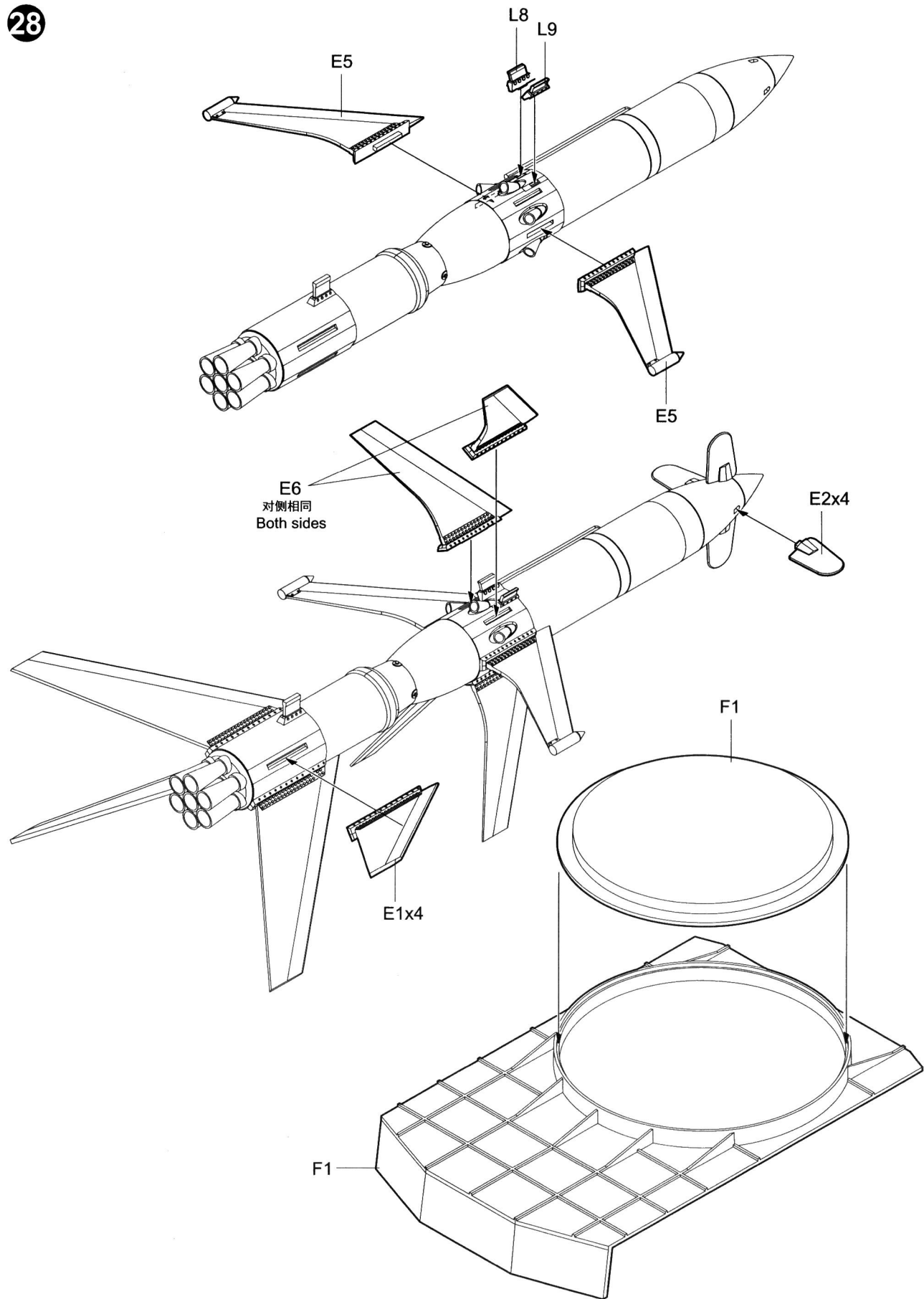
26



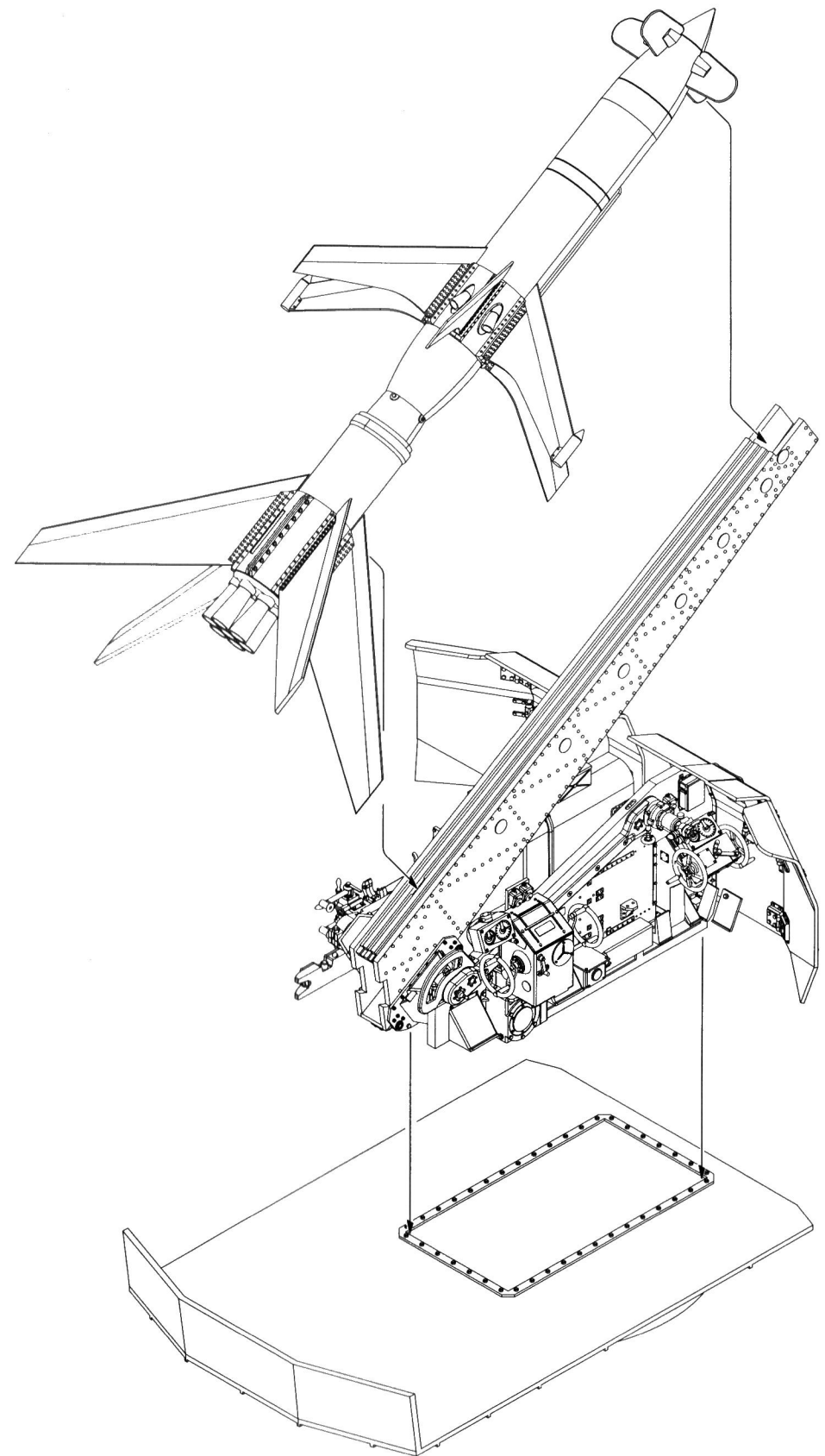
27



28



29

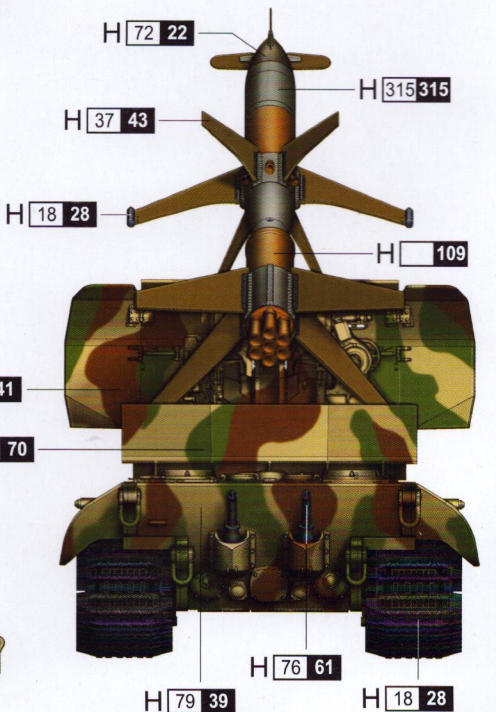
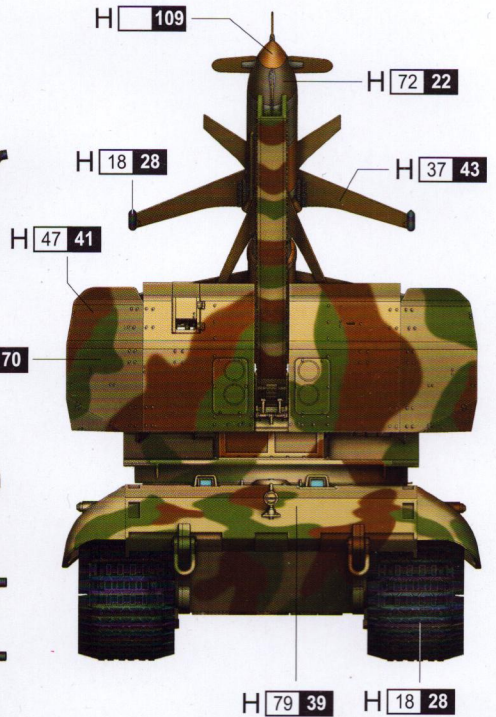
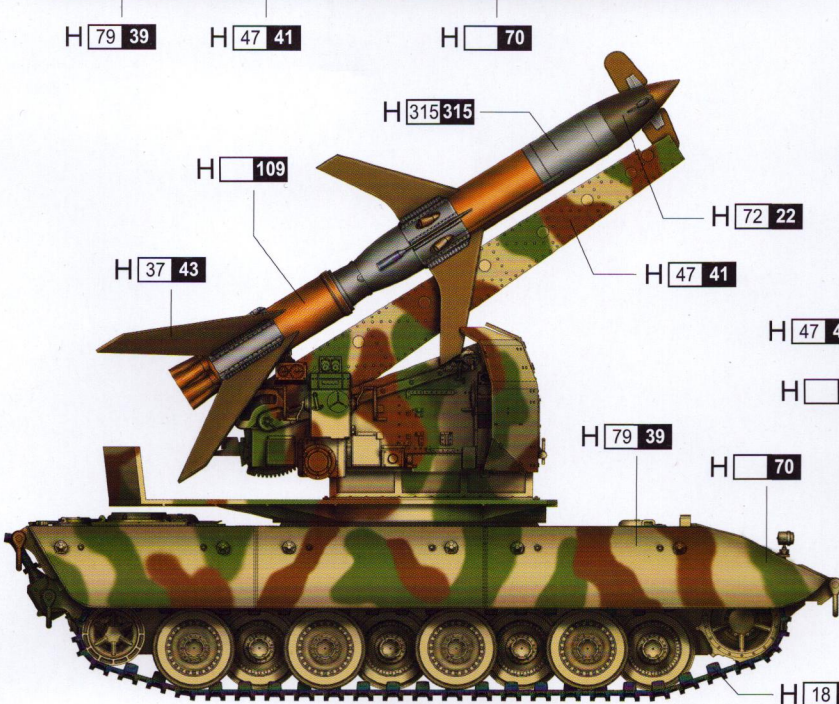
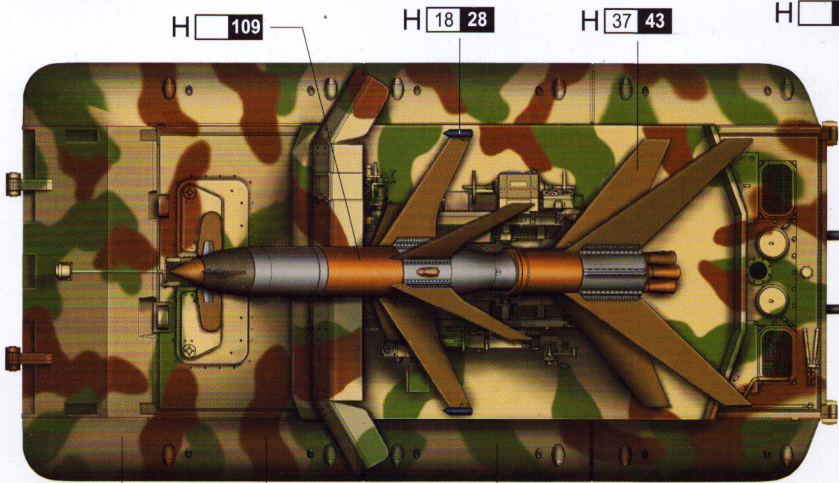
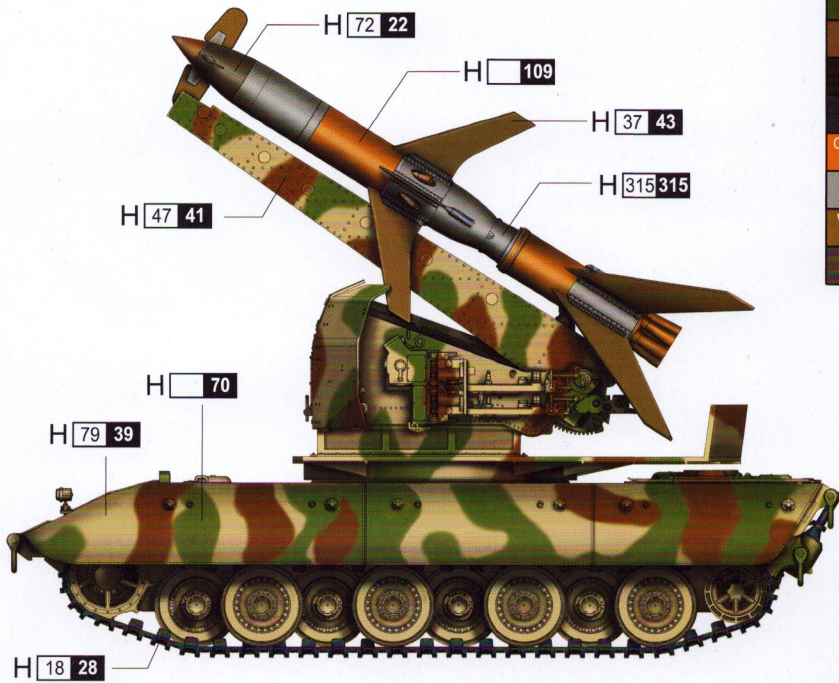


涂装同标贴指示

Painting & Marking guide

PAINT REFERENCE COLOR

Color	Mr.Hobby	Acrycion	Vallejo	Model Master	Tamiya	Humbrol
Sandy Yellow 砂黄色	H 79 39	N 79	824	-	XF59	93
Dark Green 战车绿	H 70	N	-	-	-	-
Red Brown 红棕色	H 47 41	N 47	984	-	XF64	160
Burnt Iron 烧铁色	H 76 61	N 76	863	1795	X10	53
Steel 黑铁色	H 18 28	N 18	864	1402	XF84	-
Character Yellow 品黄色	H 109	N	-	-	-	-
Light Gull 灰色	H 315 315	N 315	843	1730	-	129
Wood Brown 木棕色	H 37 43	N 37	983	1701	-	186
Dark Earth 深土色	H 72 22	N 72	873	1702	XF52	29



H AQUEOUS HOBBY COLOR Mr. COLOR N ACRYSION COLOR