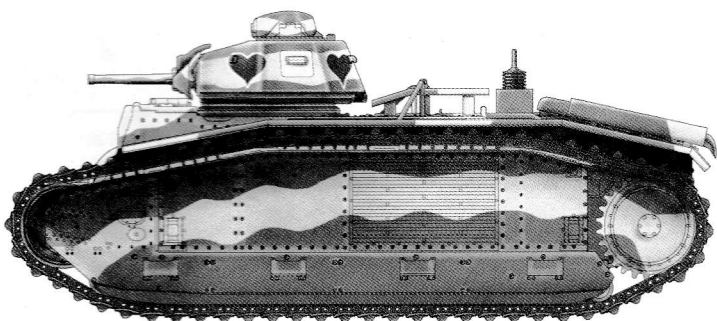


1:72 SCALE

ITEM NO.: 07263

FRENCH BATTLE TANK BI bis

法国BI重型坦克



READ BEFORE ASSEMBLY:

装配之前仔细阅读

- Study and understand these instructions thoroughly before beginning assembly
- When needed, remove photo-etch parts carefully using a modeling knife or photo etch sprue cutter, being careful not to damage or lose small parts.
- Take extra care in handling photo etch parts in order to avoid injury
- Apply instant cement sparingly to photo etch parts where instructed
- Tools recommended(not included in kit):Plastic and instant cements,sprue cutters,long nose pliers,,modeling knife, small files, tweezers, pin vise & scissors. Soft cloth and sandpaper will also assist in construction
- Glue and paint are not included in the kit. Use plastic cement and hobby paints only. Color guide for purchasing paint is included in the kit.
- 小心用模型锉刀锉平所有零件表面的注射浇口。
- 小心用刀片切下蚀刻片零件，不要遗失小零件。
- 用强力快干胶水粘合蚀刻片零件和金属轴。过量的快干胶水使用可能导致可动零件会粘住，小心涂胶。
- 取蚀刻片时应特别注意安全，防止利边划伤手指。
- 某些零件表面需贴水上贴纸，请选择在装配的同时进行。
- 推荐模型工具(自备)：胶水，水口剪刀，长咀钳，刀片，锉刀，镊子，钳，钻，剪刀，瞬间快干胶。
- 软布同砂纸同时也应该是必备工具。
- 请使用塑料胶水和油漆，模型内不含。



cyanoacrylate glue
使用强力胶



weight
配重



make hole
钻孔



cut / remove
切除



bend
弯曲



file / san
锉平



optional
选择



no cement
不涂胶水



decal
贴纸

水贴纸的使用:

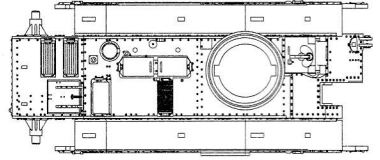
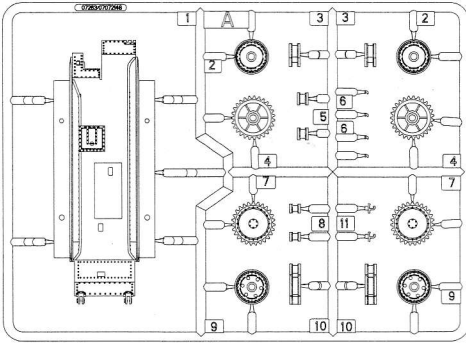
1. 从水贴上剪下印花;
2. 将印花放入温水中浸10秒，然后放在干净布上。
3. 拿着印花纸板将印花移到模型上;
4. 手指蘸水将印花移到适当的位置;
5. 用软布轻压印花直至水干，汽泡消失。

DECAL APPLICATION

1. Cut off decal from sheet.
2. Dip the decal in tepid water 40°C for about 10 sec. and place on a clean cloth.
3. Hold the backing sheet edge and slide decal onto the model.
4. Move decal into position by wetting decal with finger.
5. Press decal gently down with a soft cloth until excess water and air bubbles are gone.
6. Allow decal to dry completely before handling model.

部品图
Parts

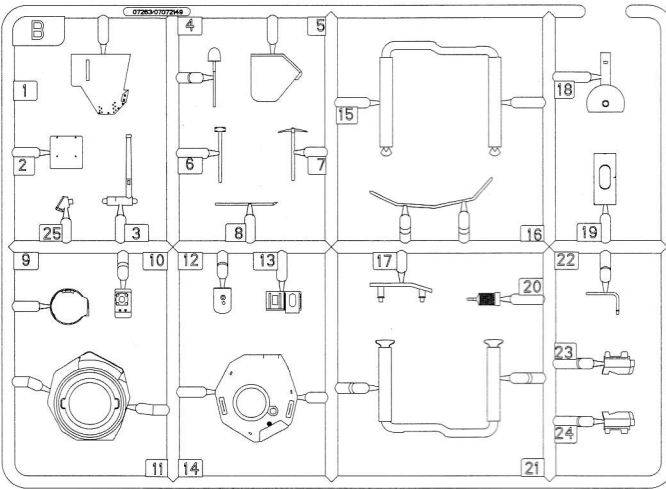
A



<<车面>>
Upper hull



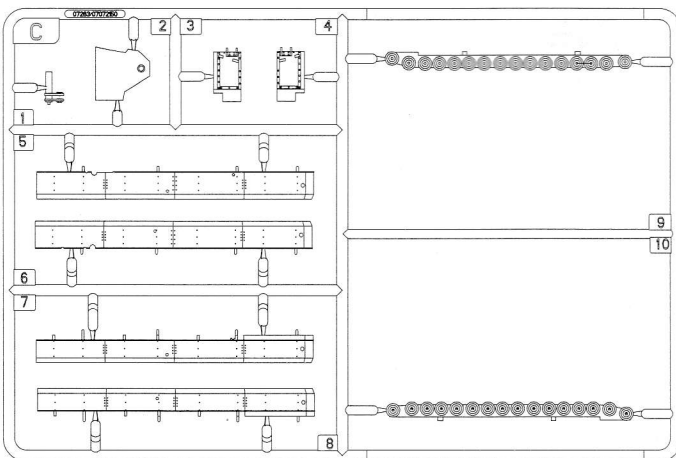
B



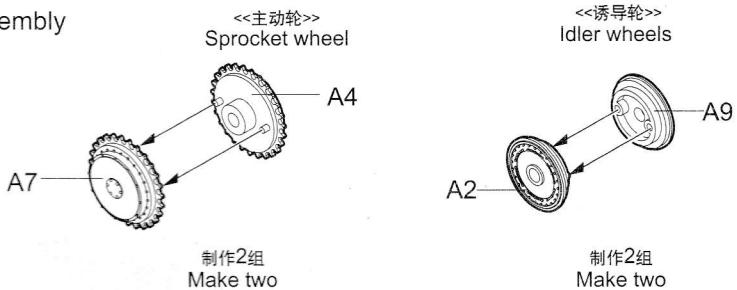
<<水贴纸>>
Decal

<<履带>>x2
Track

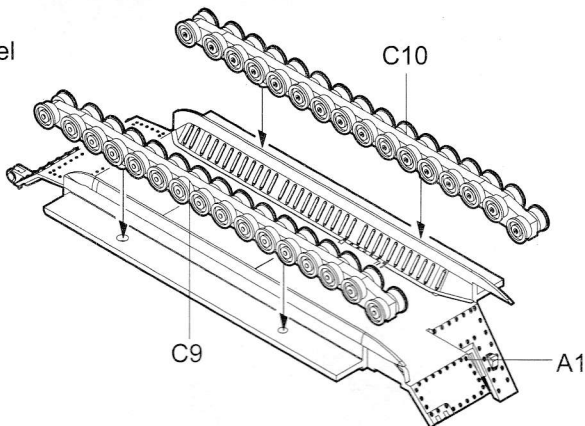
C



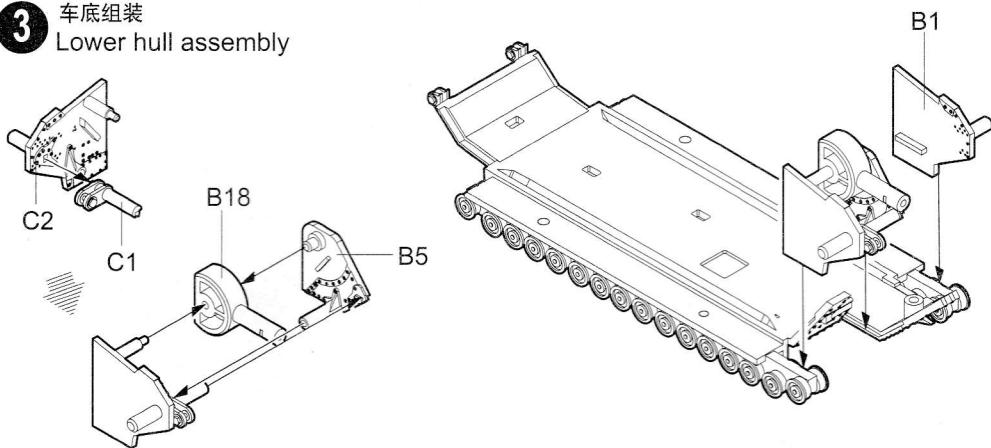
1 车轮组装
Wheels assembly



2 车轮安装
Attaching wheel

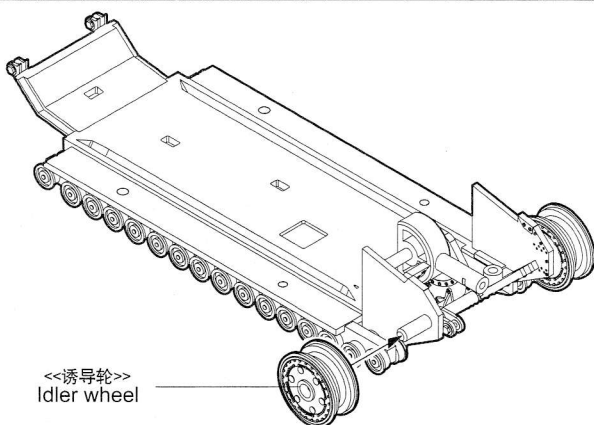


3 车底组装
Lower hull assembly

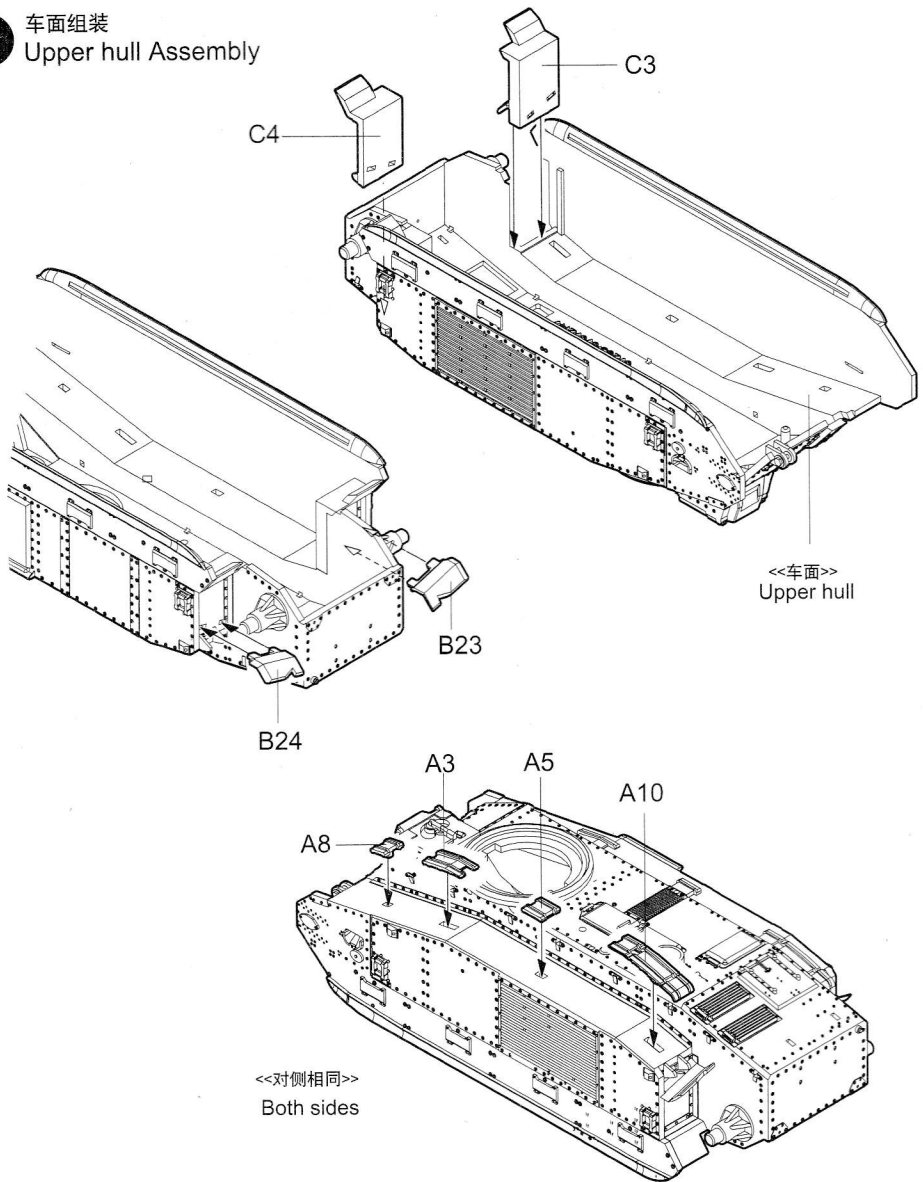


4 车轮安装
Attaching wheel

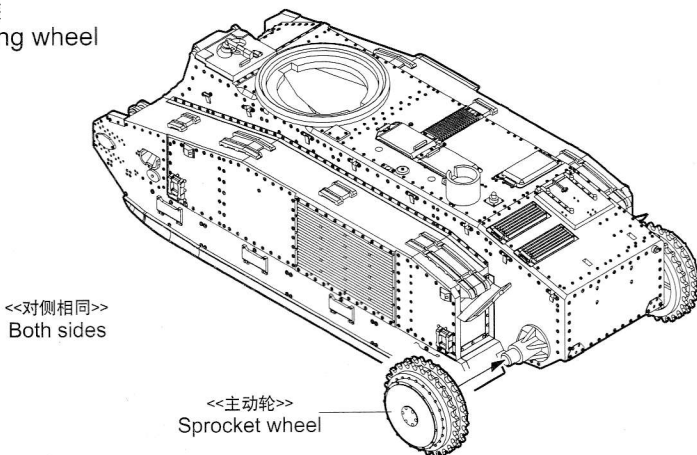
<<对侧相同>>
Both sides



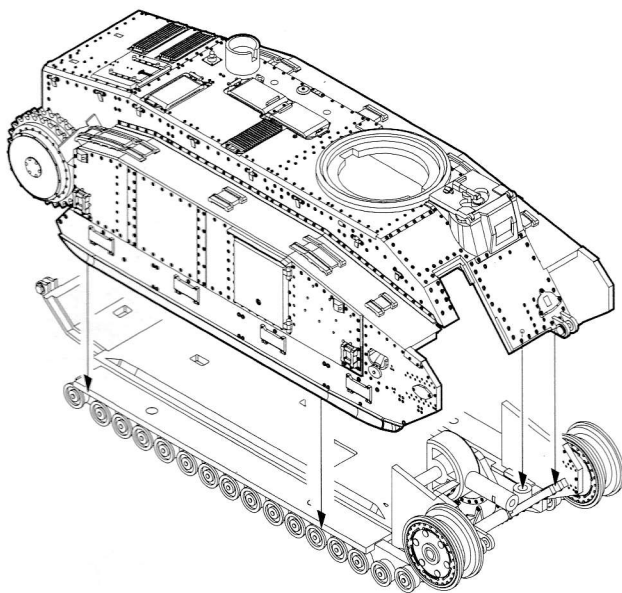
5 车面组装
Upper hull Assembly



6 车轮安装
Attaching wheel

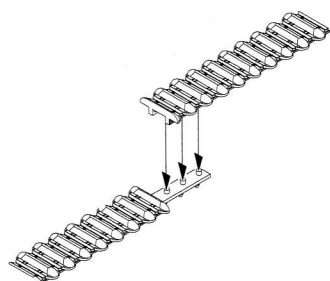


7 车面安装 Attaching Upper hull

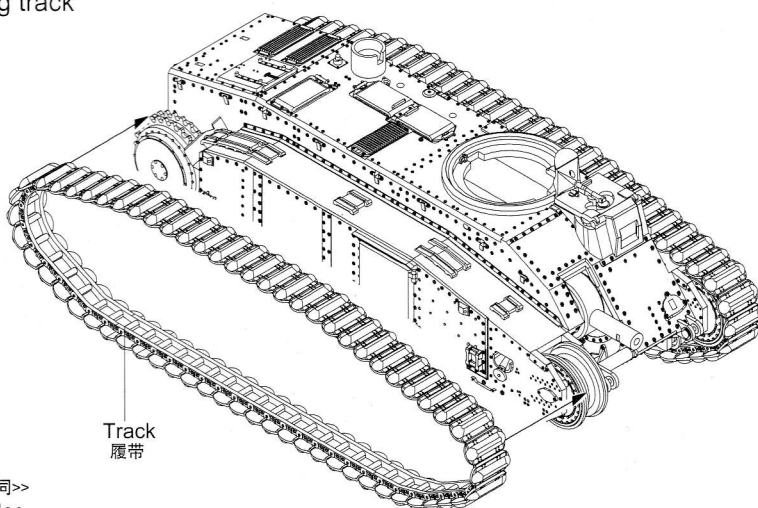


8 履带连接 Track construction

- * 履带可用塑料胶水粘合。
- * 履带可用模型油漆喷涂。
- * 若履带断裂，用细丝线固定。
- * The tracks in this kit can be glued using plastic cement.
- * The tracks can be painted using plastic paints.
- * If track is broken strengthen with staples or thread.

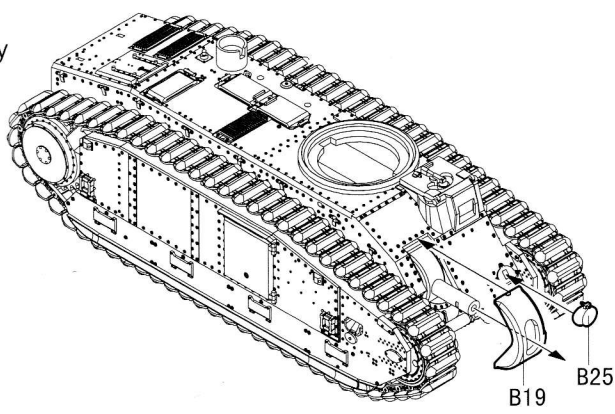


9 履带安装 Attaching track

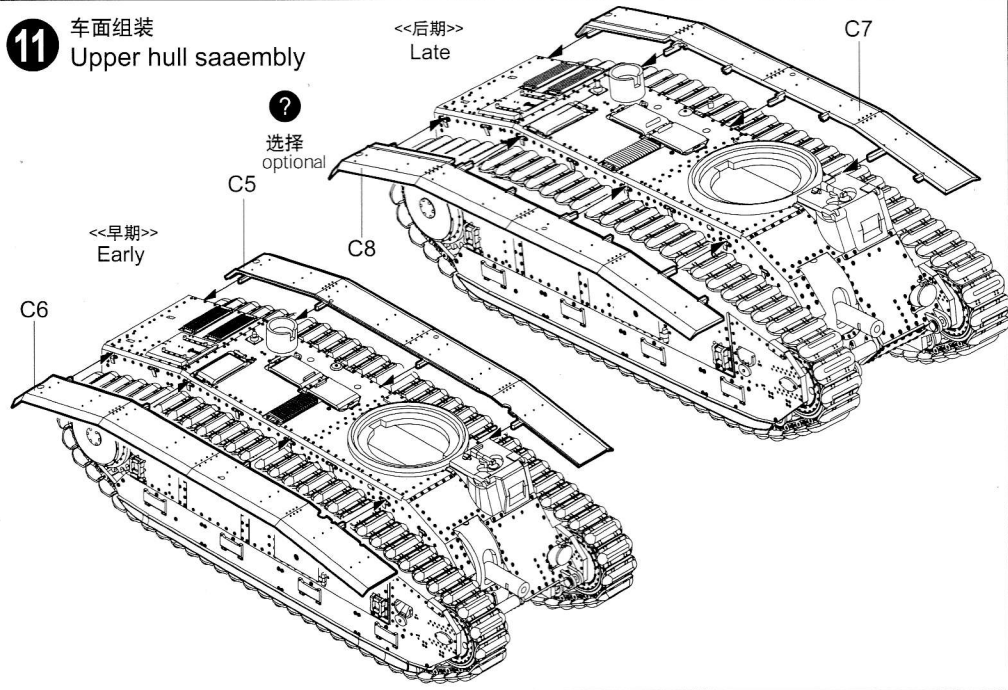


<<对侧相同>>
Both sides

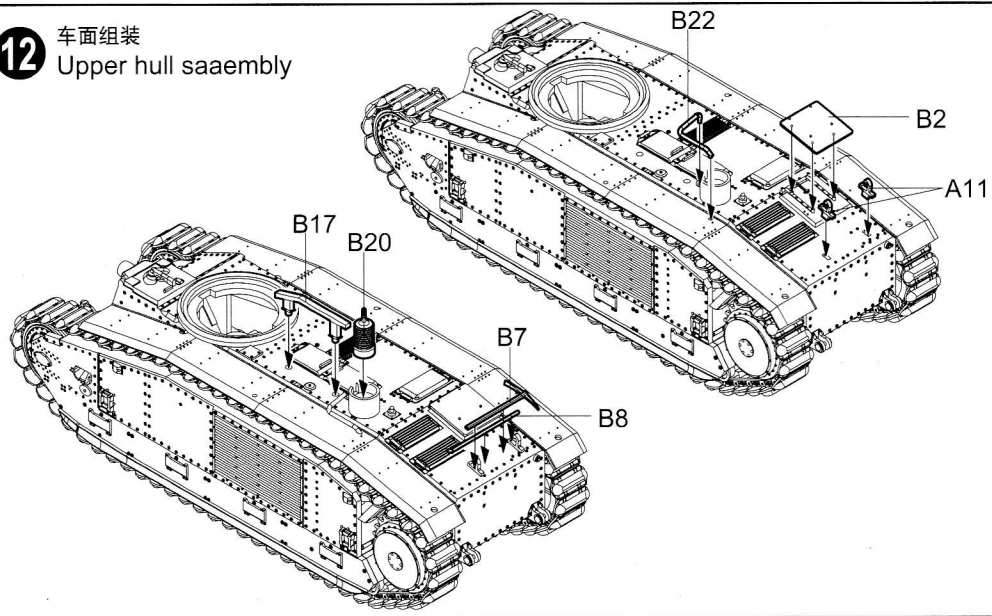
10 车面组装
Upper hull saassembly



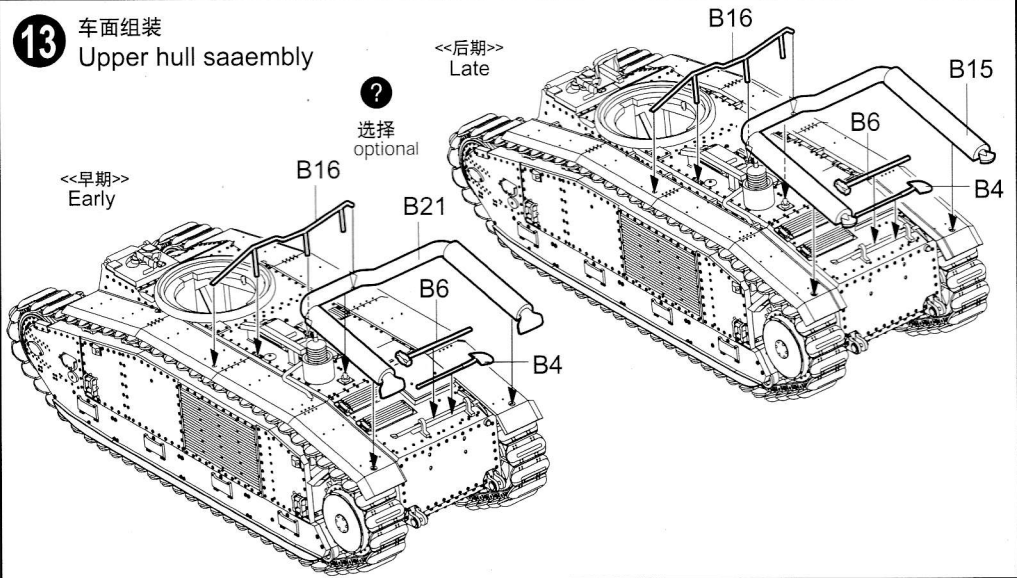
11 车面组装
Upper hull saassembly



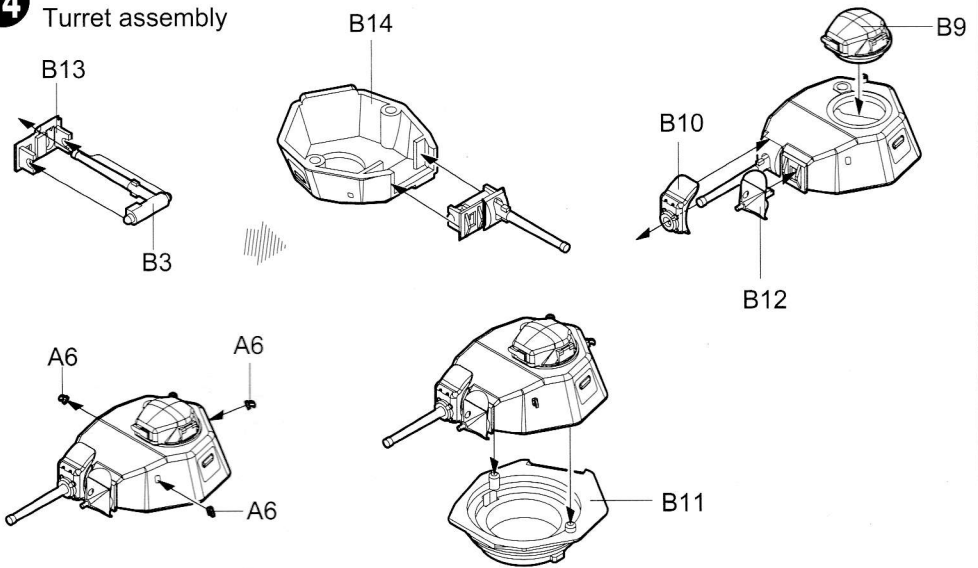
12 车面组装
Upper hull saassembly



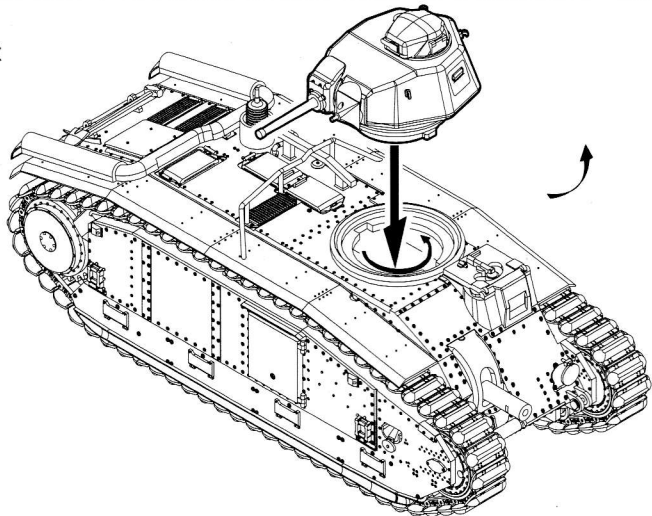
13 车面组装
Upper hull assembly



14 炮塔组装
Turret assembly



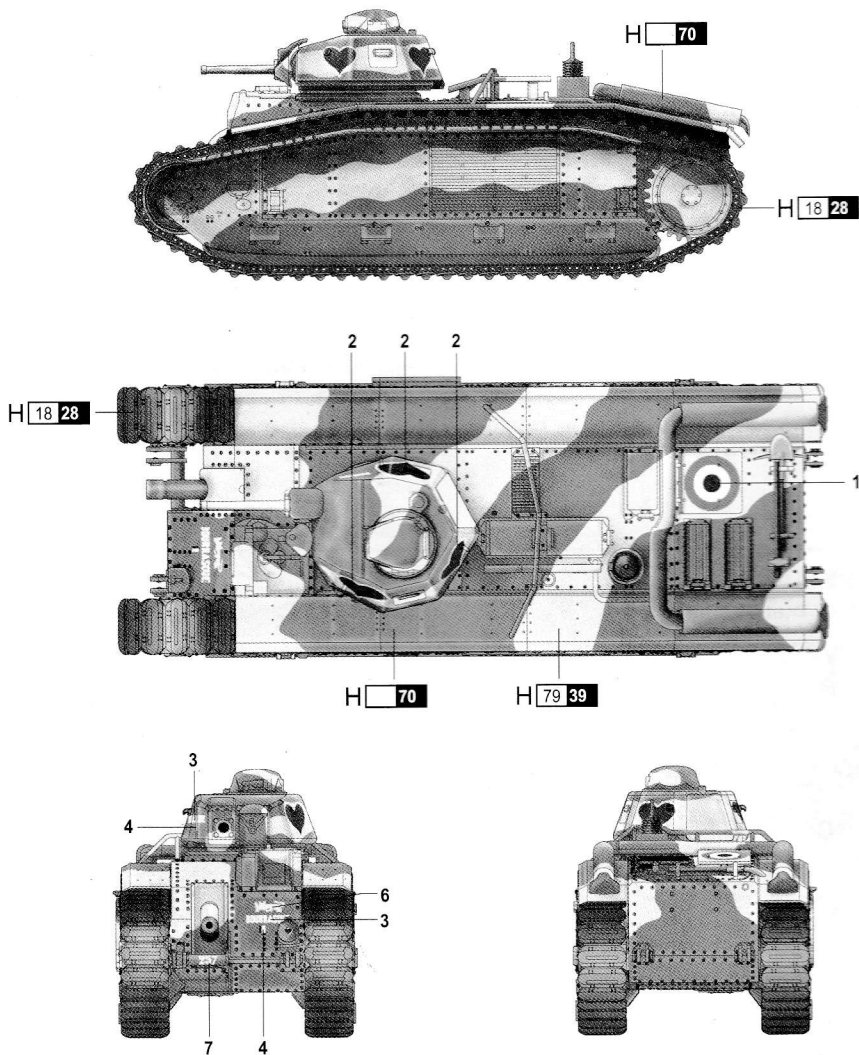
15 炮塔安装
Attaching turret



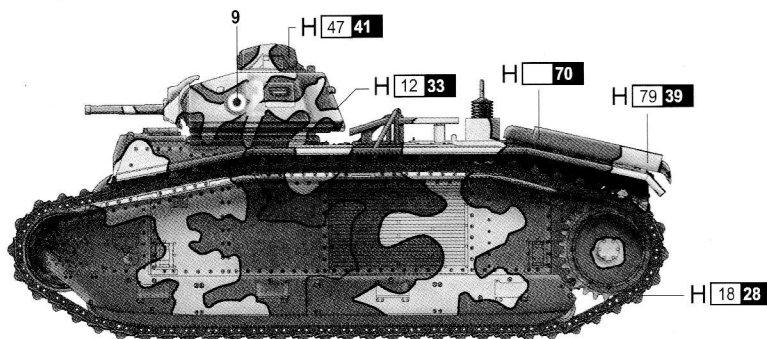
涂装同标贴指示 Painting & Marking guide

Color	Mr.Hobby	Vallejo	Model Master	Tamiya	Humbrol
Dark green 战车绿	H <input type="checkbox"/> 70	—	—	—	—
Sandy yellow(Dark yellow) 暗黄色	H <input type="checkbox"/> 79 <input type="checkbox"/> 39	824	—	XF59	93
Flat black 红棕色	H <input type="checkbox"/> 47 <input type="checkbox"/> 41	984	—	XF64	160
Steel(metal black) 黑铁色	H <input type="checkbox"/> 18 <input type="checkbox"/> 28	864	1402	—	—
Flat black 黑(哑光)	H <input type="checkbox"/> 12 <input type="checkbox"/> 33	950	1749	XF1	33

A



B



H AQUEOUS HOBBY COLOR

Mr. COLOR