

1:72 SCALE

ITEM NO.: 07268

USMC LAV-25

美国海军陆战队 LAV-25装甲车



READ BEFORE ASSEMBLY:

- This kit is not recommended for inexperienced modelers or for children under 14 years of age
- Study and understand these instructions thoroughly before beginning assembly
- When needed, remove photo-etch parts carefully using a modeling knife or photo etch sprue cutter, being careful not to damage or lose small parts.
- Take extra care in handling photo etch parts in order to avoid injury
- Apply instant cement sparingly to photo etch parts where instructed
- Tools recommended(not included in kit):Plastic and instant cements,sprue cutters,long nose pliers,,modeling knife, small files, tweezers, pin vise & scissors. Soft cloth and sandpaper will also assist in construction
- Glue and paint are not included in the kit. Use plastic cement and hobby paints only. Color guide for purchasing paint is included in the kit.
- Keep out of reach of small children. They must not be allowed to ingest small parts or handle plastic bags in any way.

装配之前仔细阅读

- 小心用模型锉刀锉平所有零件表面的注射浇口。
- 小心用刀片切下蚀刻片零件，不要遗失小零件。
- 用强力快干胶水粘合蚀刻片零件和金属轴。过量的快干胶水使用可能导致可动零件会粘住，小心涂胶。
- 取蚀刻片时应特别注意安全，防止利边划伤手指。
- 某些零件表面需贴水上贴纸，请选择在装配的同时进行。
- 推荐模型工具(自备)：胶水，水口剪刀，长钳，刀片，锉刀，镊子，钳，钻，剪刀，瞬间快干胶。
- 软布同砂纸同时也应该是必备工具。
- 请使用塑料胶水和油漆，模型内不含。
- 谨防小孩吸吮塑料零件，或者将塑料袋套在头上，制作时应将套材远离小孩接触。
- 本产品不适合14岁以下没有经验的模型爱好者。



cyanocrylate glue
使用强力胶



weight
配重



make hole
钻孔



cut / remove
切除



bend
弯曲



file / sand
锉平



option
选择



no cement
不涂胶水



decal
贴纸

水贴纸的使用:

1. 从水贴纸上剪下印花;
2. 将印花放入温水中浸10秒，然后放在干净布上。
3. 拿着印花纸将印花移到模型上;
4. 手指蘸水将印花移到适当的位置;
5. 用软布轻压印花直至水干，气泡消失。

DECAL APPLICATION

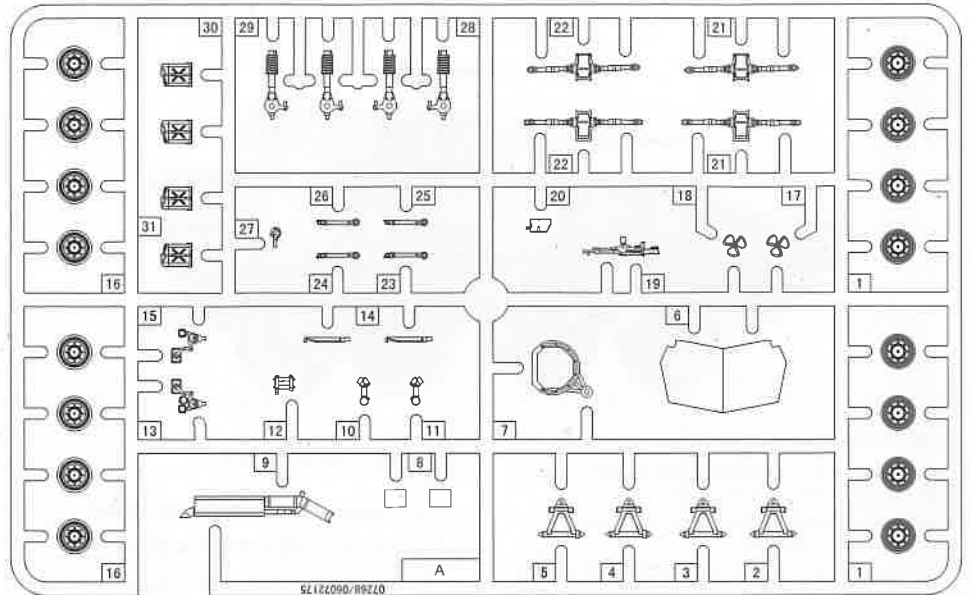
1. Cut off decal from sheet.
2. Dip the decal in tepid water 40°C for about 10 sec. and place on a clean cloth.
3. Hold the backing sheet edge and slide decal onto the model.
4. Move decal into position by wetting decal with finger.
5. Press decal gently down with a soft cloth until excess water and air bubbles are gone.
6. Allow decal to dry completely before handling model.

07268

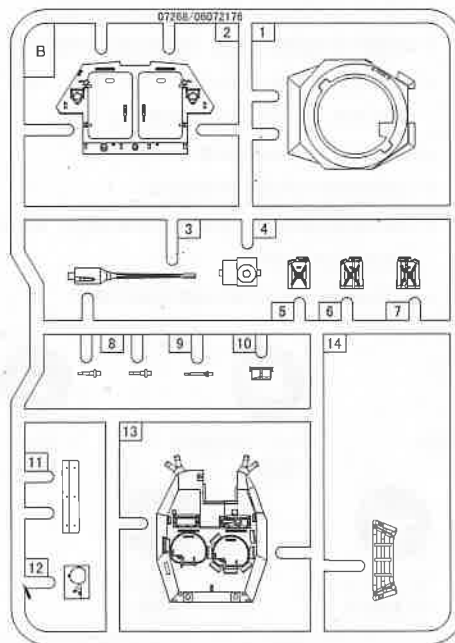
1

部品图
Parts

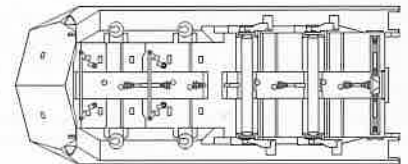
A



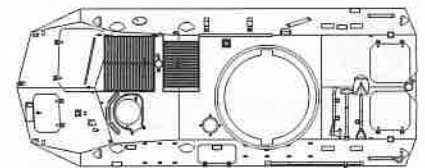
B



《车底》
Lower hull



《车面》
Upper hull



《水贴纸》
Decal



《轮胎》
Trye
《薄》
Thin



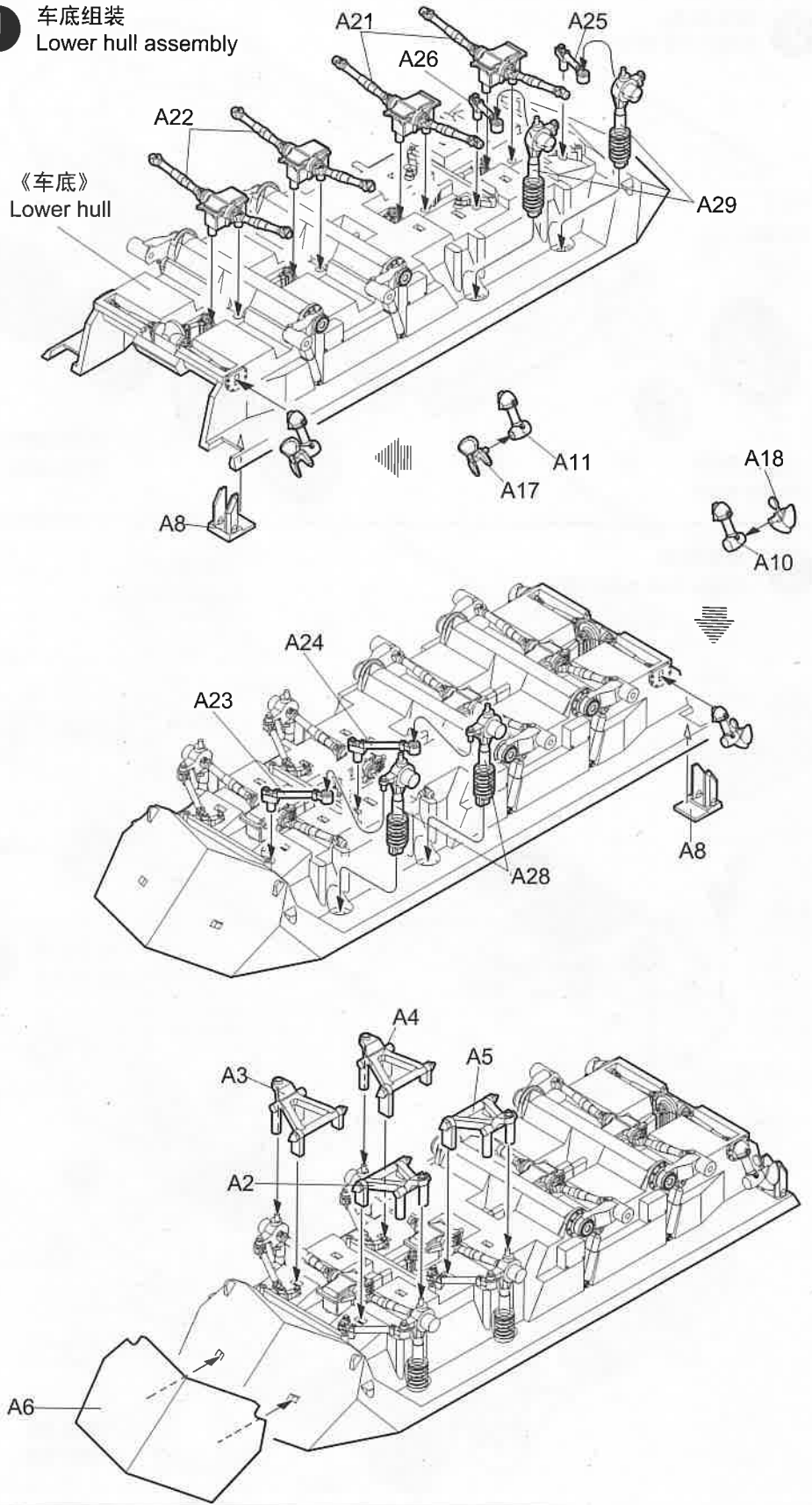
x8

不用部品: A7, A14, A30, A16x8
Unused parts

07268

2

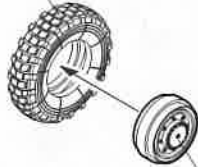
1 车底组装
Lower hull assembly



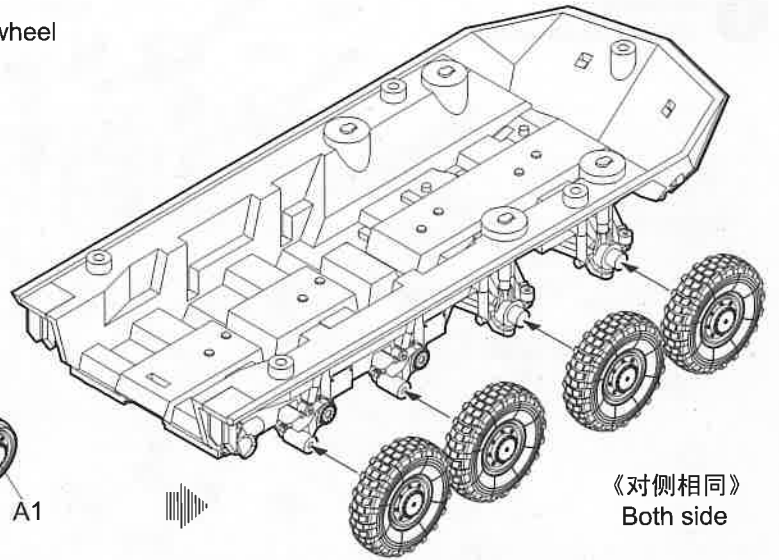
07268

2 车轮安装
Attaching wheel

《轮胎》
Tyre



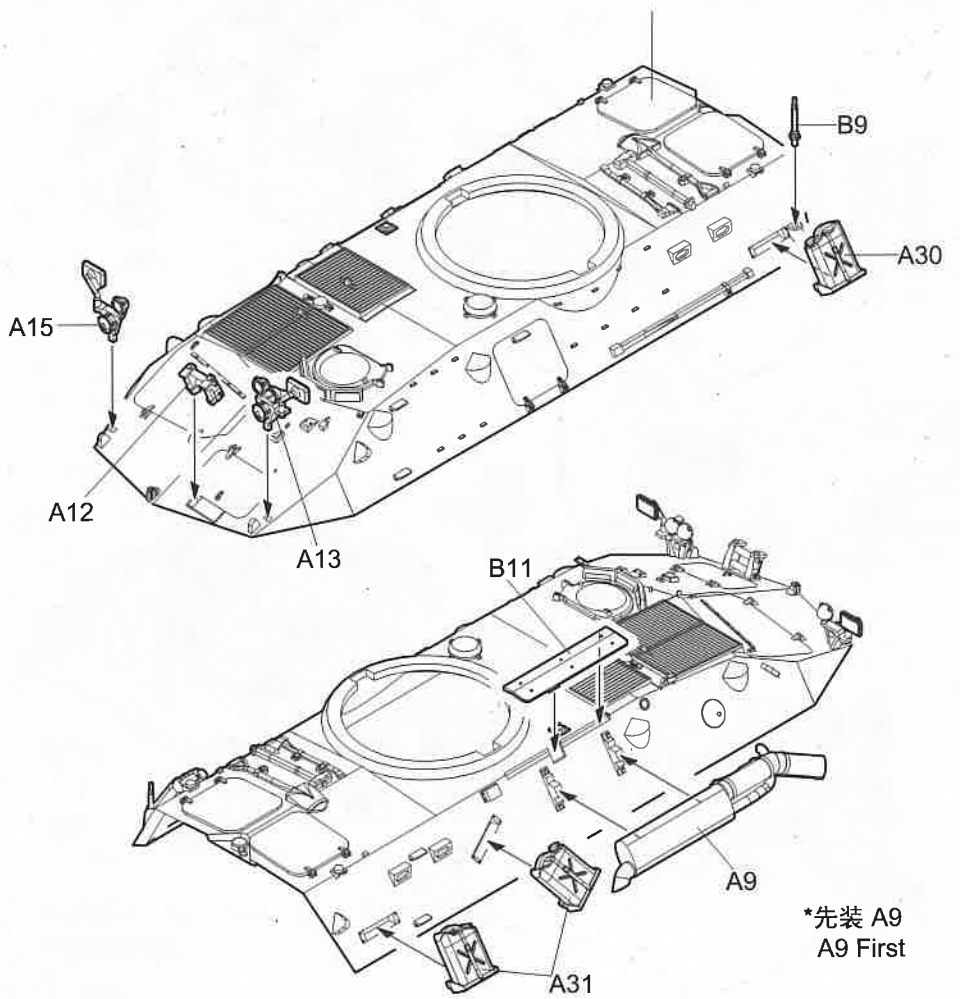
《制作8组》
Make eight



《对侧相同》
Both side

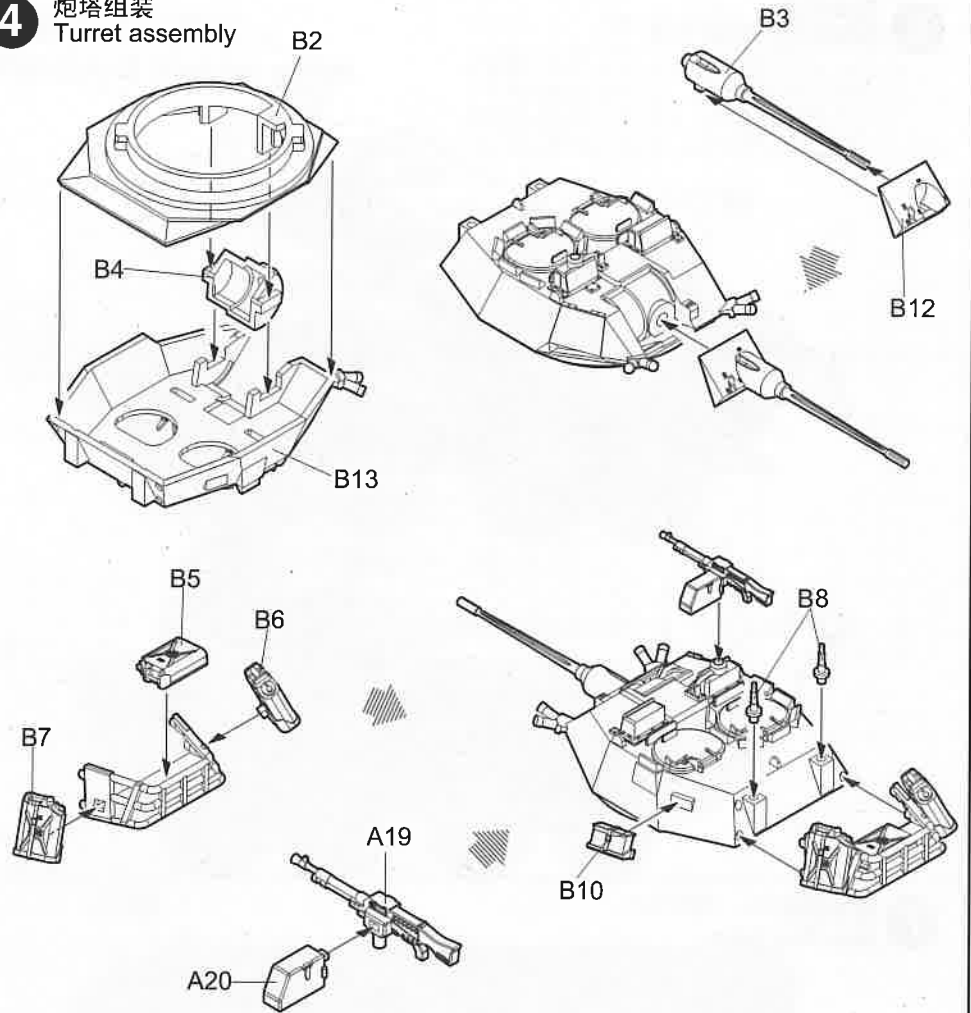
3 车面组装
Upper hull assembly

《车面》
Upper hull

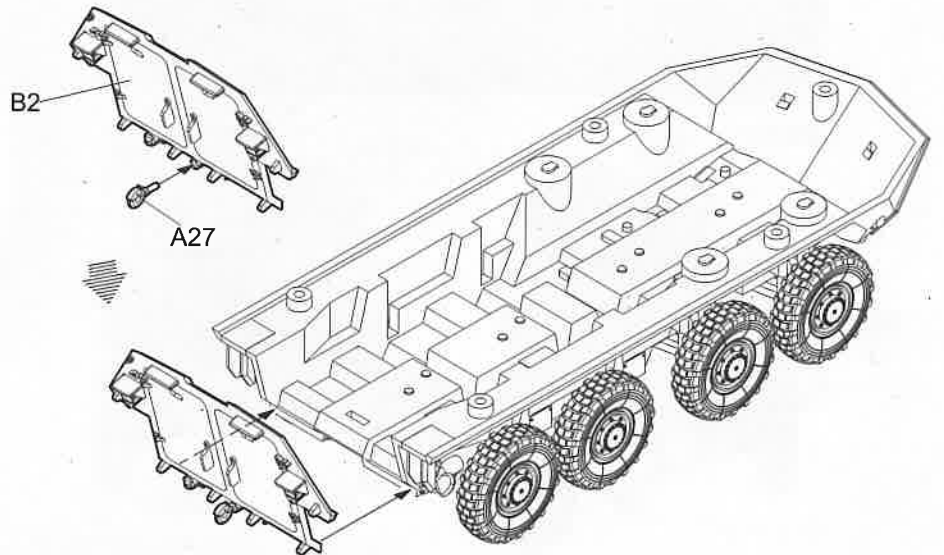


*先装 A9
A9 First

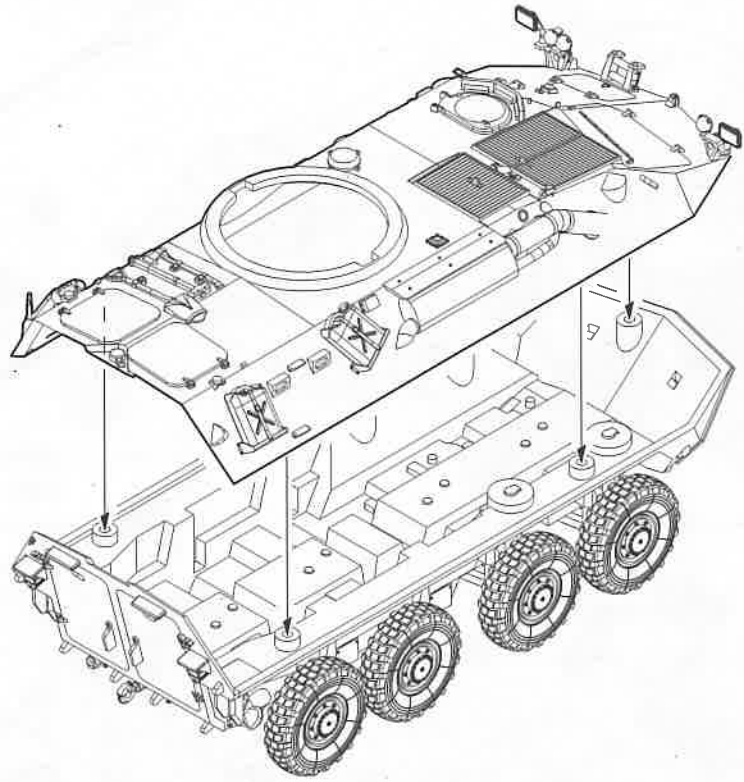
4 炮塔组装
Turret assembly



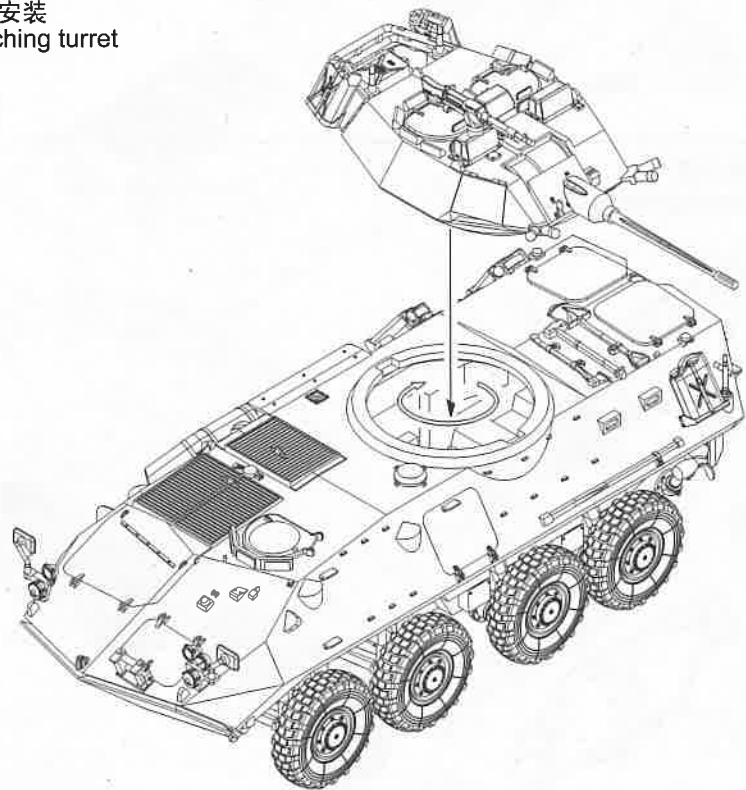
5 后板安装
Attaching rear panel



6 车面安装
Attaching Upper hull



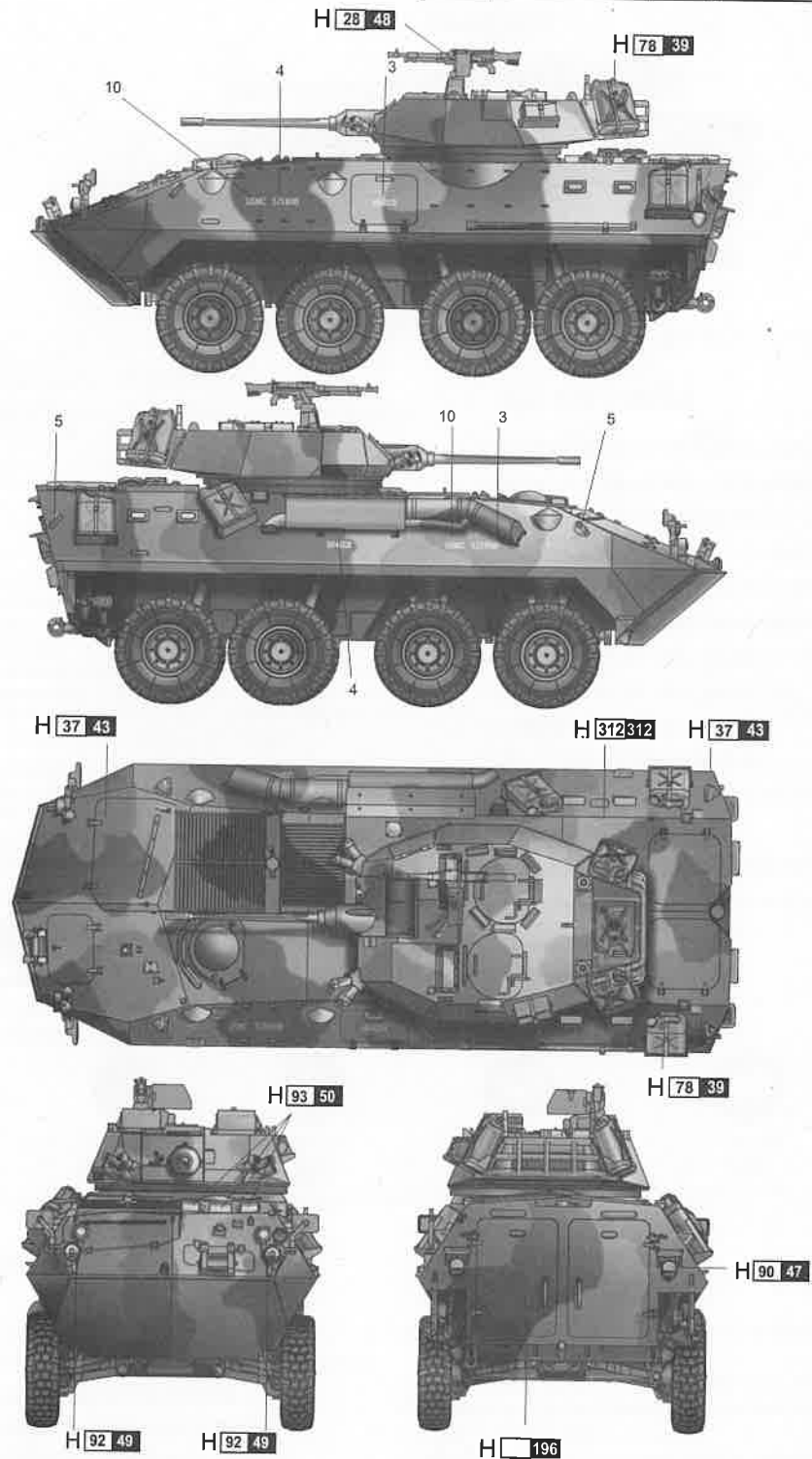
7 炮塔安装
Attaching turret



涂装同标贴指示 Painting & Marking guide

使用 MR.HOBBY 涂料 Mr. Color Used

H 78 39	橄榄色 Olive Drab	H 37 43	木棕色 Wood Brown
H 90 47	透明红 Clear Red	H 28 48	枪黑色 Metal Black
H 92 49	透明橘 Clear Orange	H 83 50	透明蓝 Clear Blue
H 196	深灰色 Dark Gray	H 912 312	中灰绿 Medium Grey Green



H AQUEOUS HOBBY COLOR Mr. COLOR

07268

7