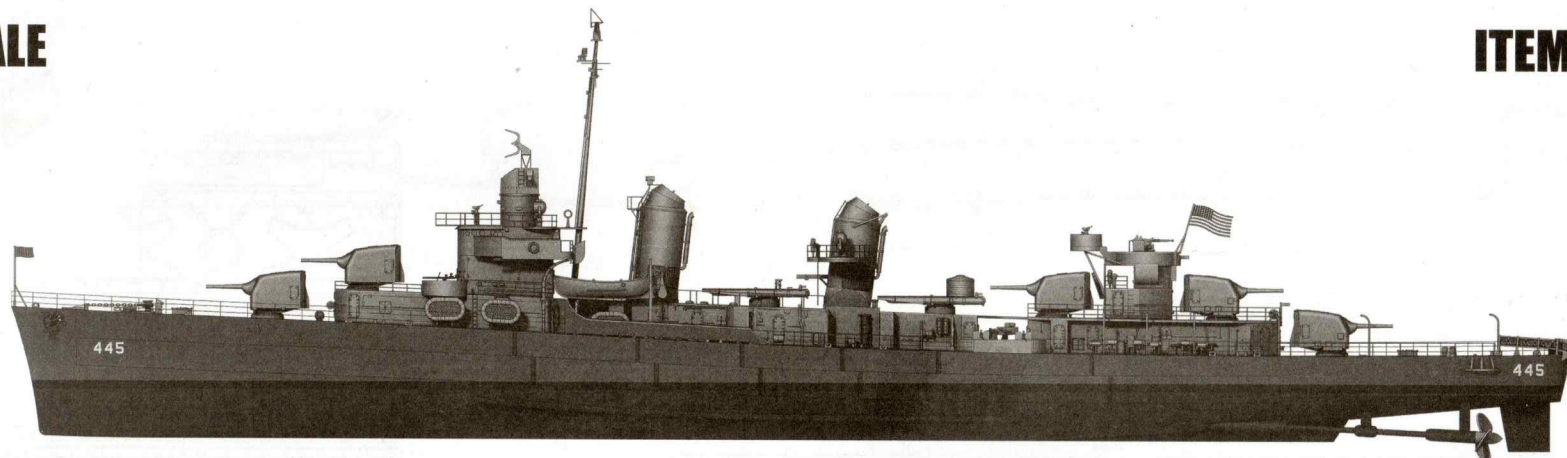


1/200 SCALE

ITEM NO.:03723



USS Fletcher DD-445

美国海军“弗莱彻”号驱逐舰DD-445

READ BEFORE ASSEMBLY:

- This kit is not recommended for inexperienced modelers or for children under 14 years of age
- Study and understand these instructions thoroughly before beginning assembly
- When needed, remove photo-etch parts carefully using a modeling knife or photo etch sprue cutter, being careful not to damage or lose small parts.
- Take extra care in handling photo etch parts in order to avoid injury
- Apply instant cement sparingly to photo etch parts where instructed

- Tools recommended(not included in kit):Plastic and instant cements,sprue cutters,long nose pliers,modeling knife, small files, tweezers, pin vise & scissors. Soft cloth and sandpaper will also assist in construction
- Glue and paint are not included in the kit. Use plastic cement and hobby paints only. Color guide for purchasing paint is included in the kit.
- Keep out of reach of children. They must not be allowed to ingest small parts or handle plastic bags in any way.

装配之前仔细阅读

- 小心用模型锉刀锉平所有零件表面的注射浇口。
- 小心用刀片切下蚀刻片零件，不要遗失小零件。
- 用强力快干胶水粘合蚀刻片零件和金属轴。过量的快干胶水使用可能导致可动零件会粘住，小心涂胶。
- 取蚀刻片时应特别注意安全，防止利边划伤手指。
- 某些零件表面需贴水上贴纸，请选择在装配的同时进行。
- 推荐模型工具(自备)：胶水，水口剪刀，长咀钳，刀片，锉刀，镊子钳，钻，剪刀，瞬间快干胶。
- 软布同砂纸同时也是所需工具。
- 请使用塑料胶水和油漆，模型内不含。
- 谨防小孩吸吮塑料零件，或者将塑料袋套在头上，制作时应将套材远离小孩接触。
- 本产品不适合14岁以下没有经验的模型爱好者。

* 说明书中含有重要信息，应保留。 Please Keep instruction since it contains important information.

水贴纸的使用:

1. 从水贴上剪下印花;
2. 将印花放入温水中浸10秒，然后放在干净布上。
3. 拿着印花纸板将印花移到模型上;
4. 手指蘸水将印花移到适当的位置;
5. 用软布轻压印花直至水干，气泡消失。

DECAL APPLICATION:

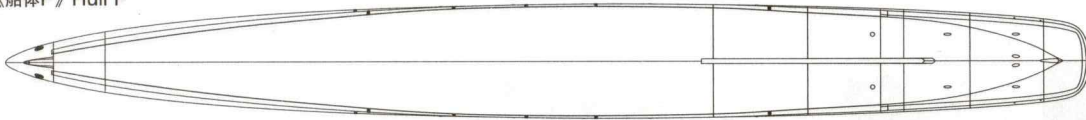
1. Cut decals from sheet as needed
2. Dip the decal in warm water for about 10 seconds and then place on soft clean cloth.
3. Hold the decal backing sheet edge and gently slide the decal onto the model in its proper position.
4. While still wet, decal can be adjusted for better fit on model by dampening it gently with your finger.
5. When placed in the proper position, gently press decal down with a soft cloth until excess water and air bubbles are gone.
6. Allow decal to dry completely before handling model



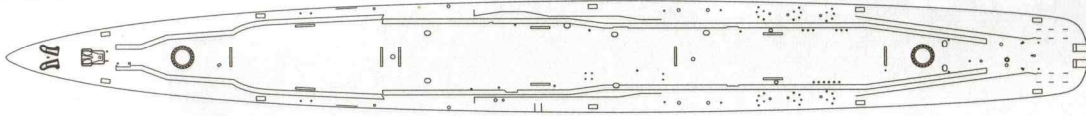
03723

部品图 Parts

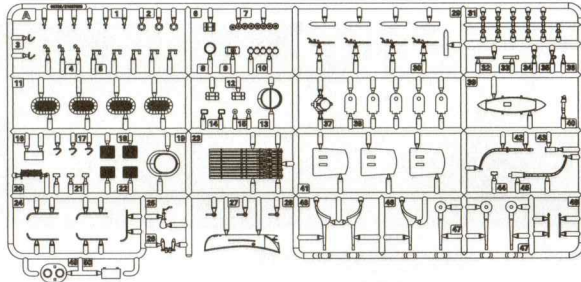
《船体P》Hull P



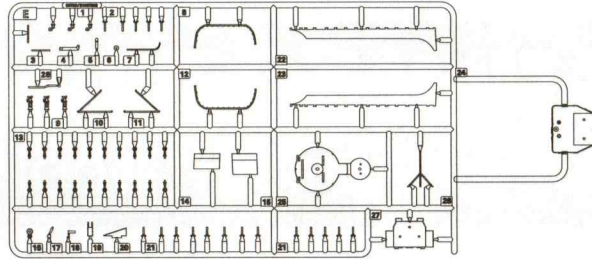
《甲板R》Deck R



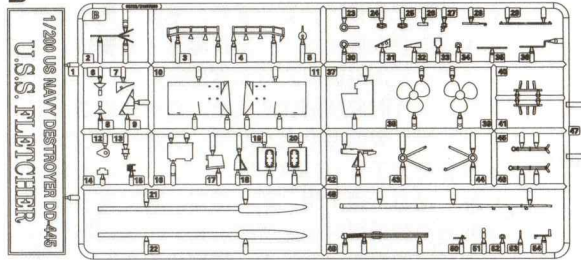
A×2



E



B



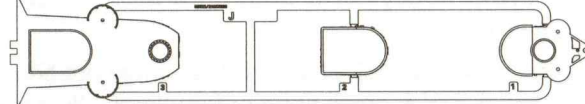
H1×3



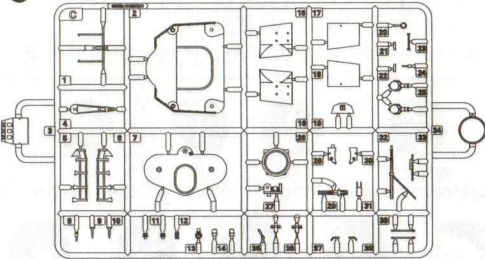
H2×2



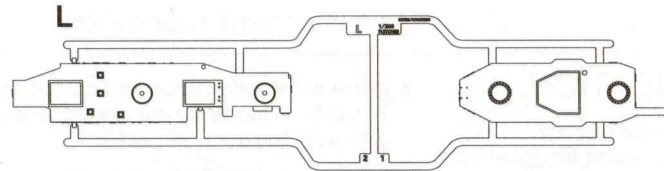
J



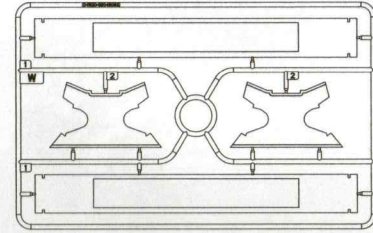
C



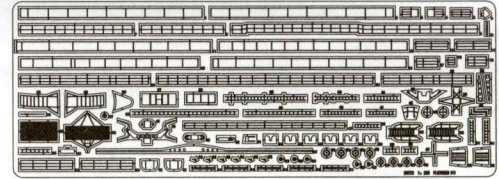
L



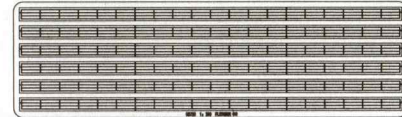
W



《蚀刻片》PE(A)



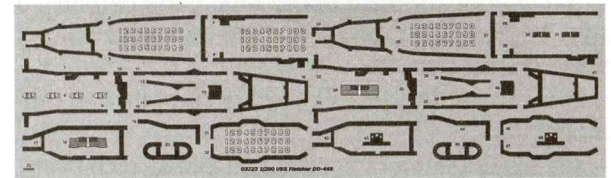
《蚀刻片》PE(B)



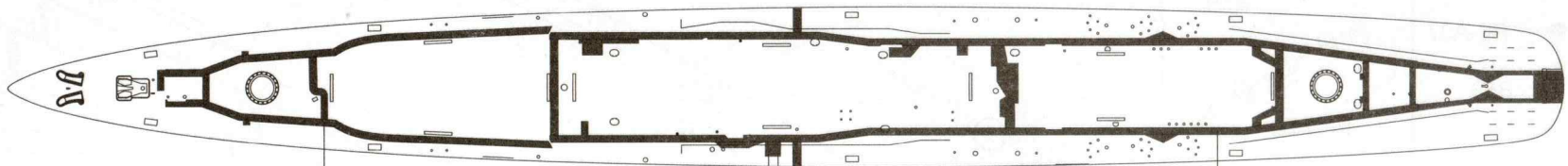
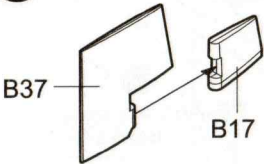
《金属锚链》Chain L:120



《水贴》Decal



1



1+2+3 or 24+25+26



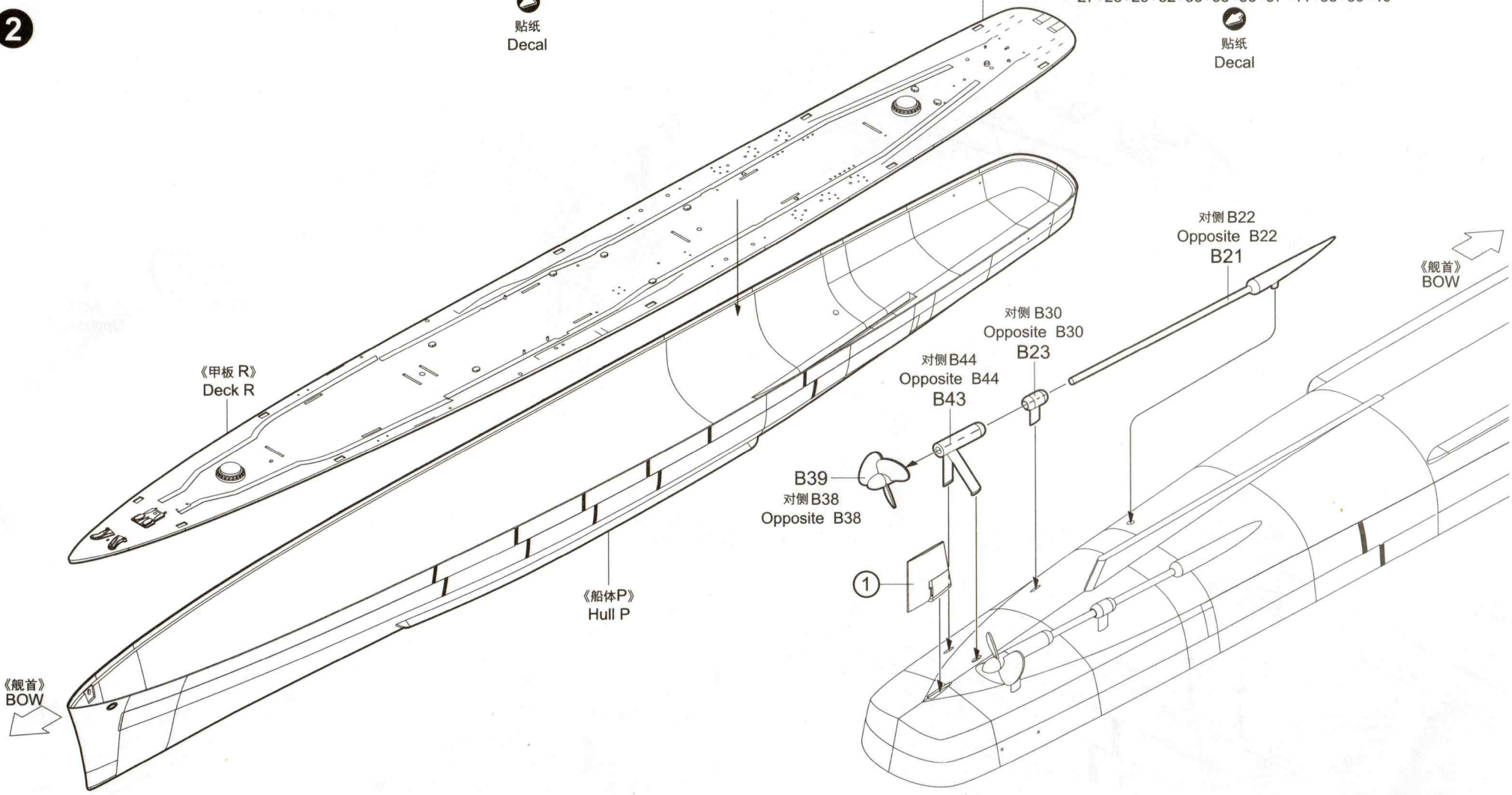
贴纸
Decal

4+5+6+7+9+10+11+12+16+13+14+15 or
27+28+29+32+33+35+36+37+41+38+39+40



贴纸
Decal

2



甲板 R
Deck R

船体 P
Hull P

对侧 B22
Opposite B22
B21

对侧 B30
Opposite B30
B23

对侧 B44
Opposite B44
B43

B39
对侧 B38
Opposite B38

1

舰首
BOW

舰首
BOW

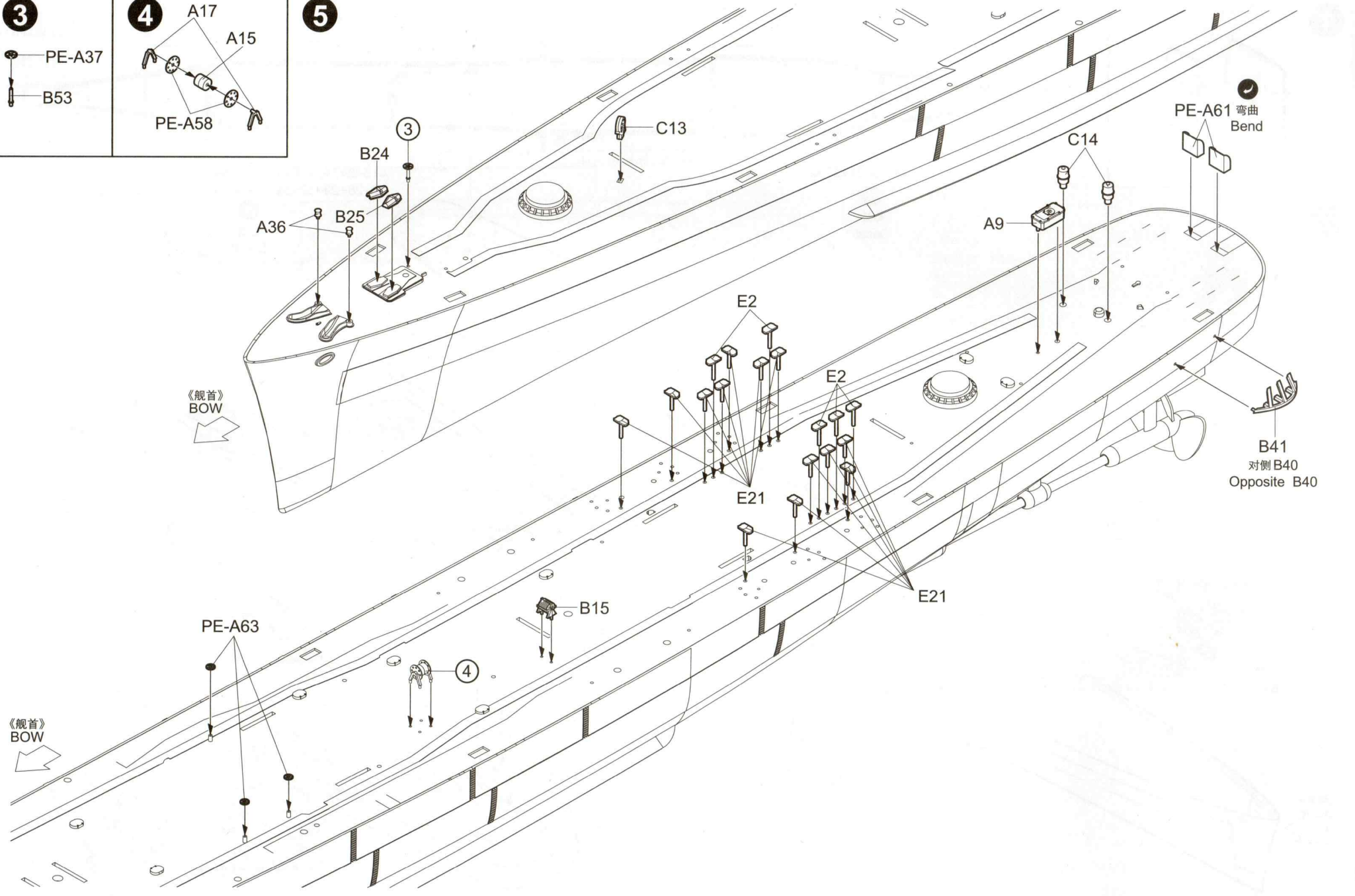
3

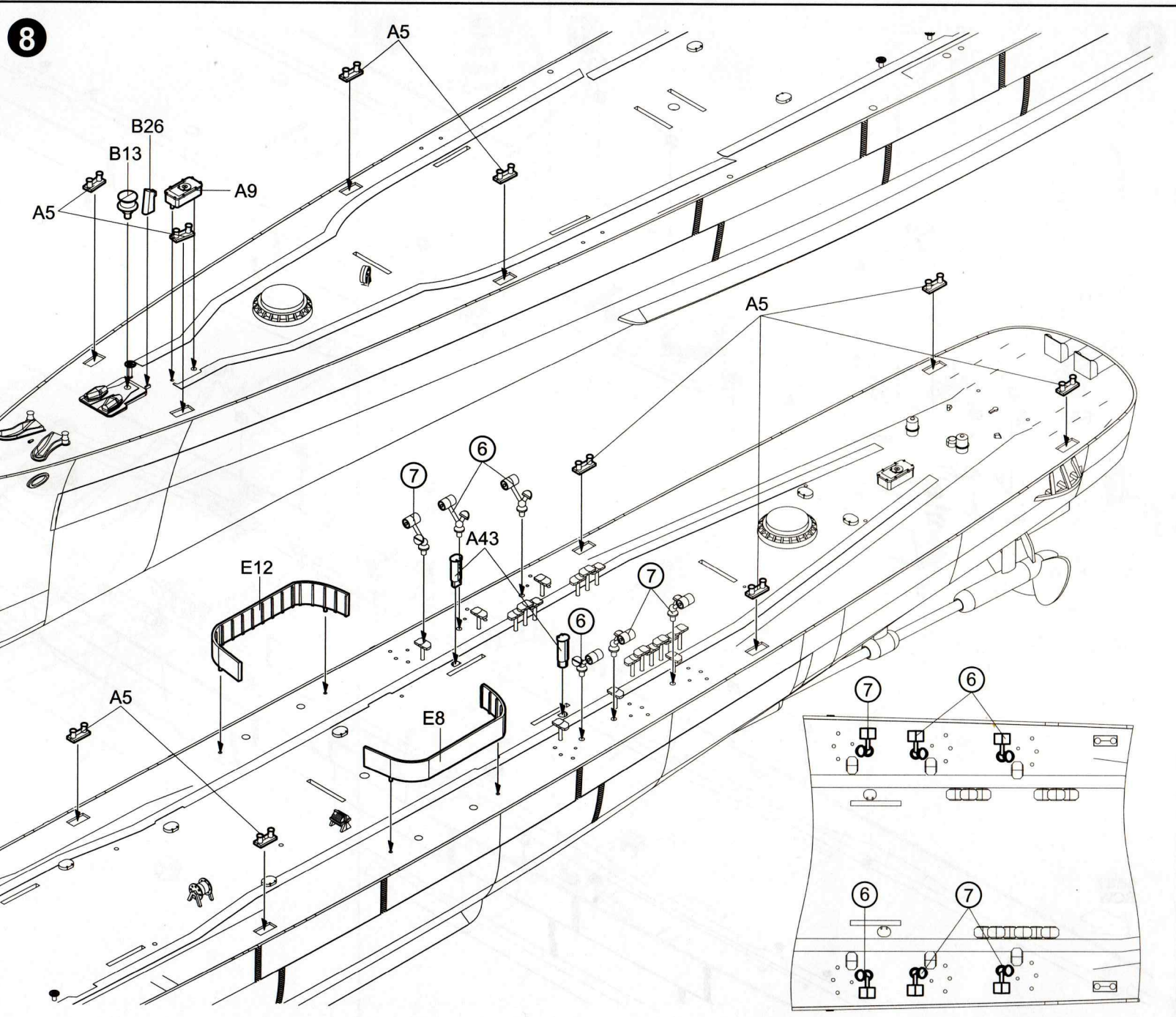
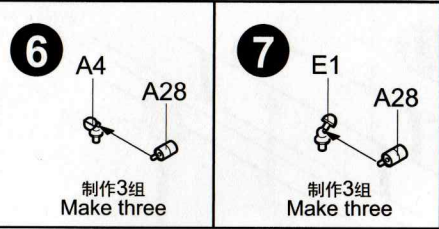
PE-A37
B53

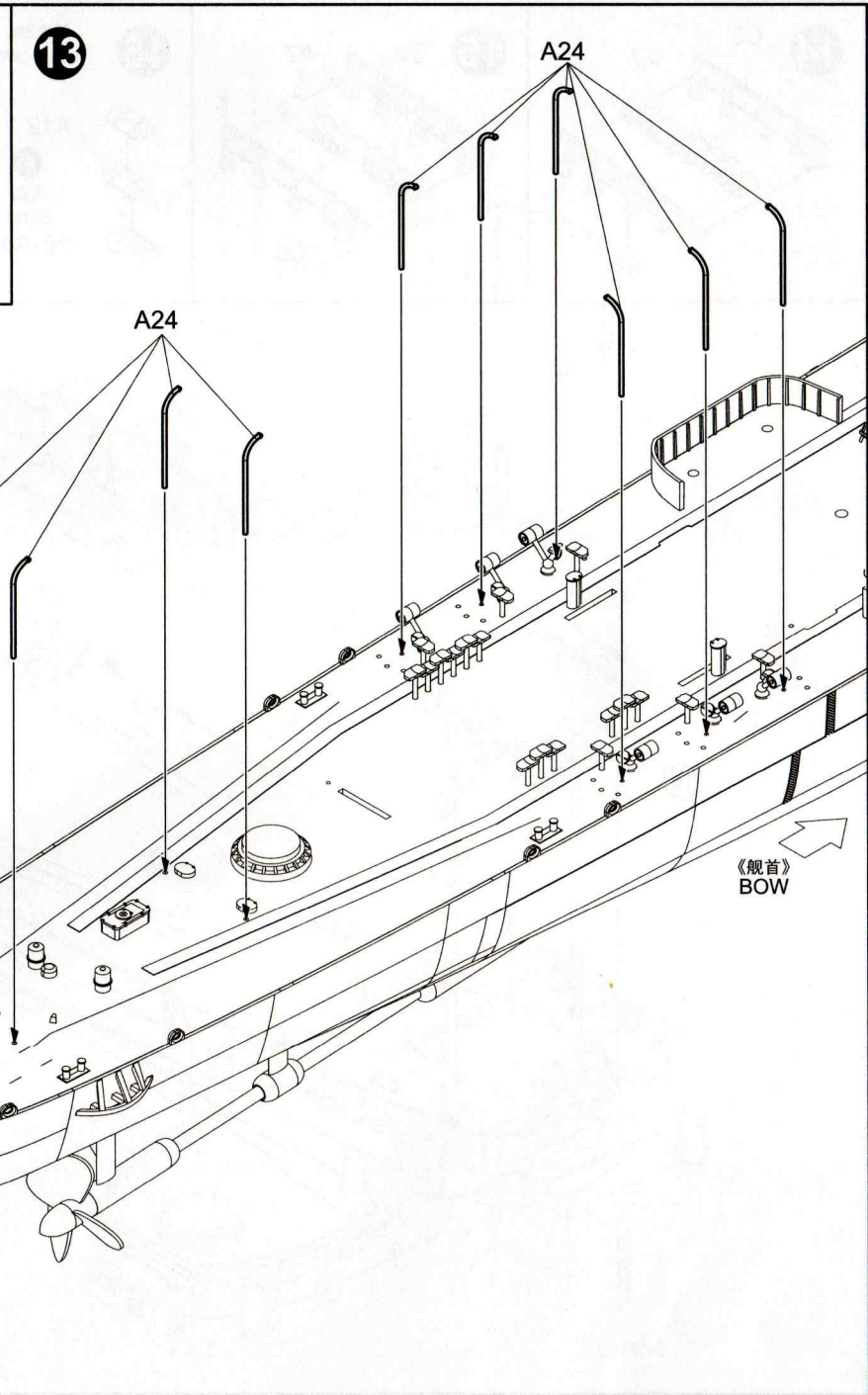
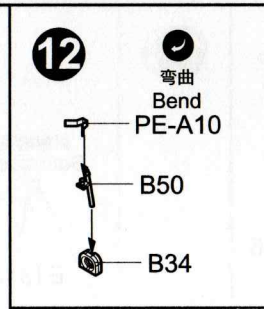
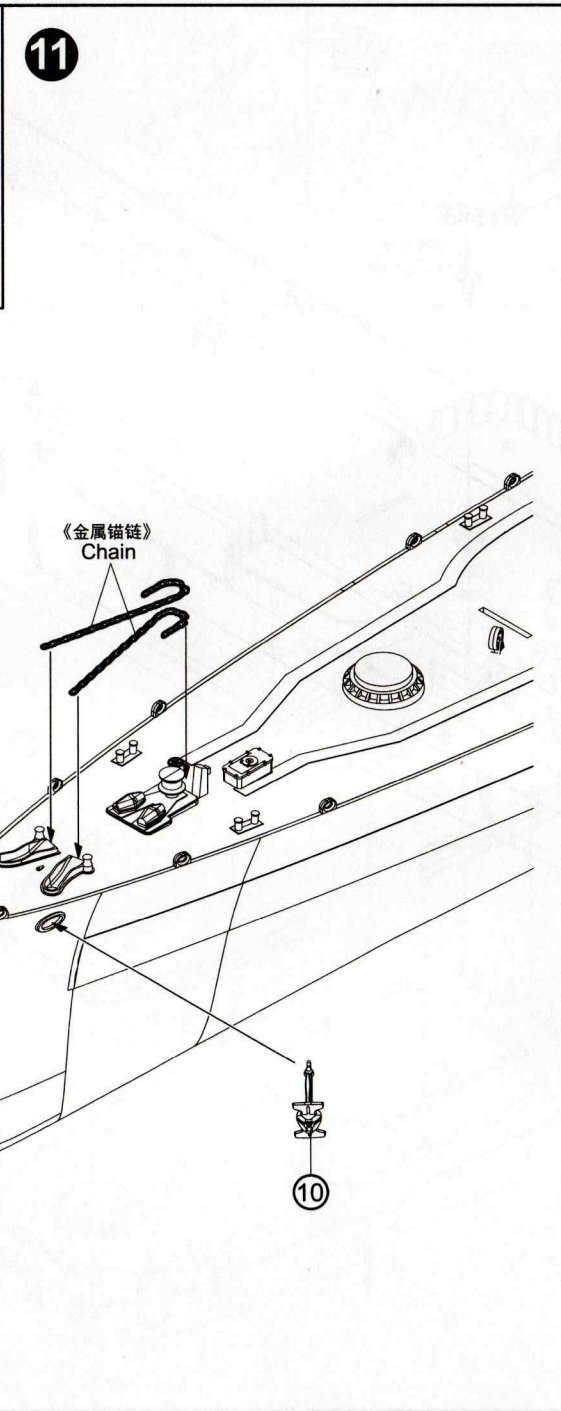
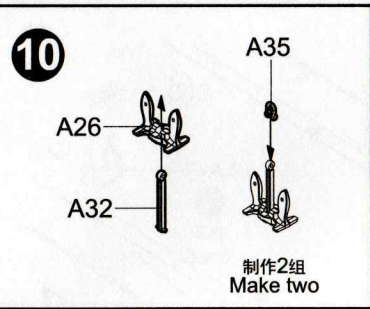
4

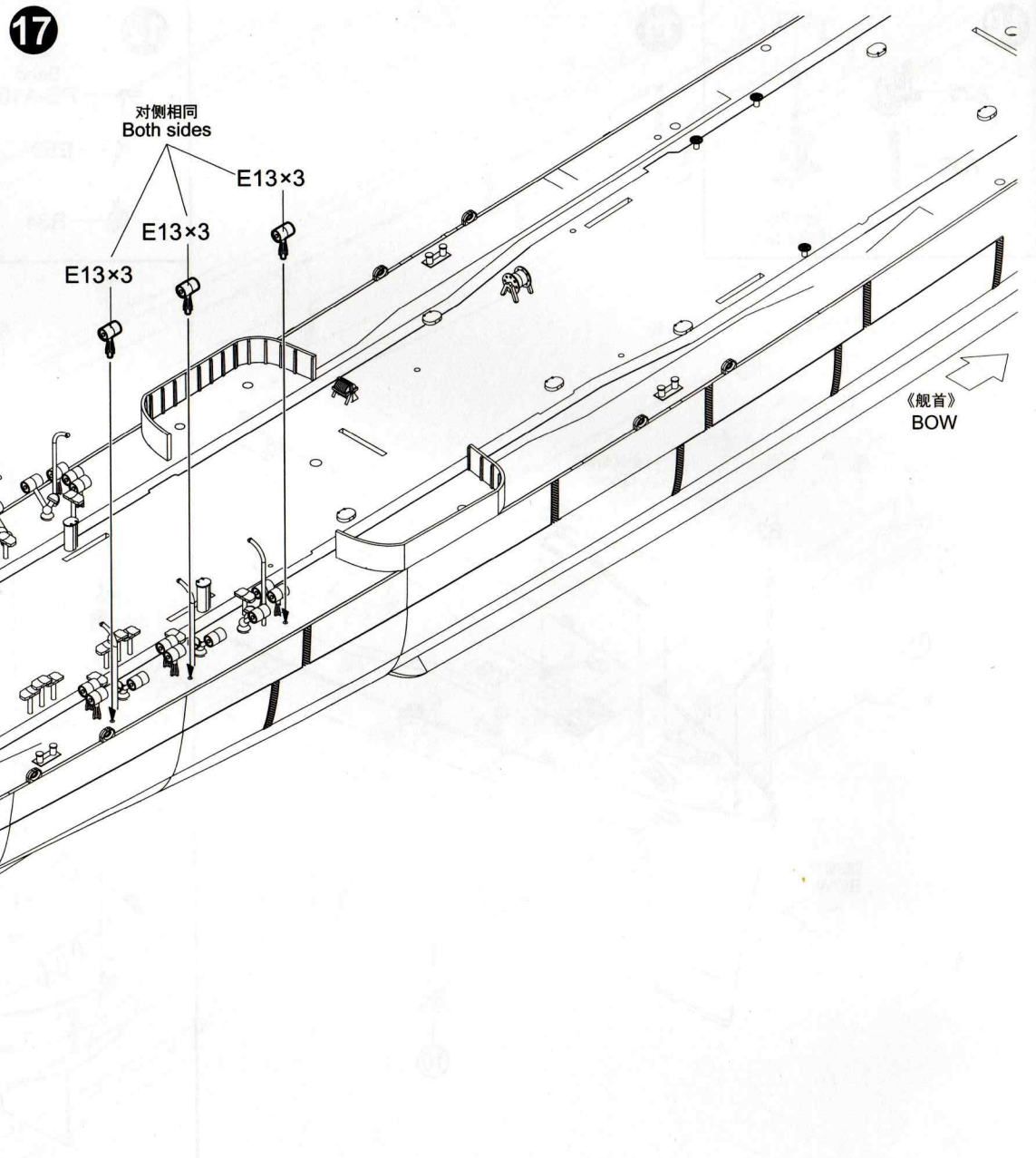
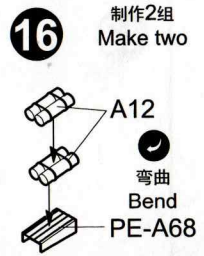
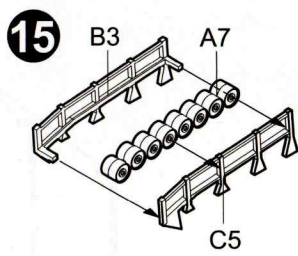
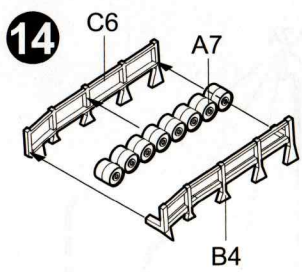
A17
A15
PE-A58

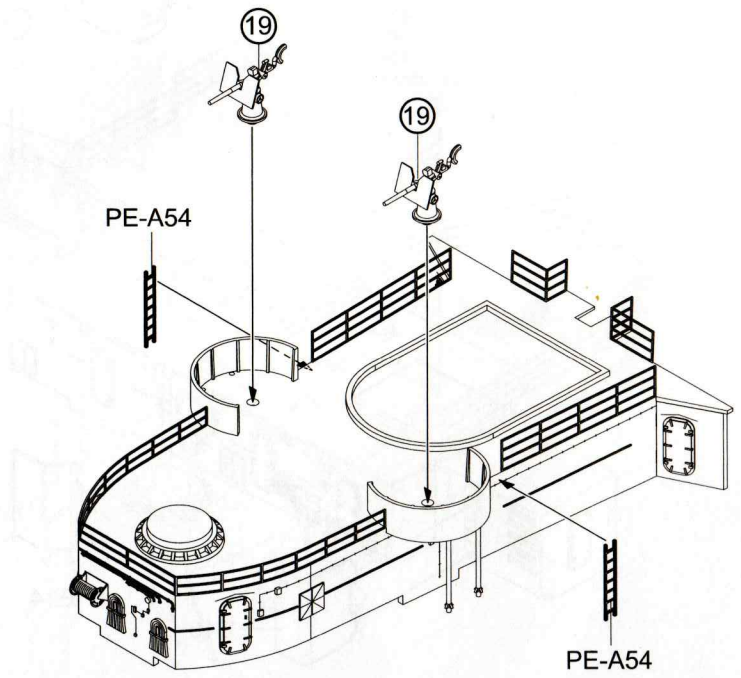
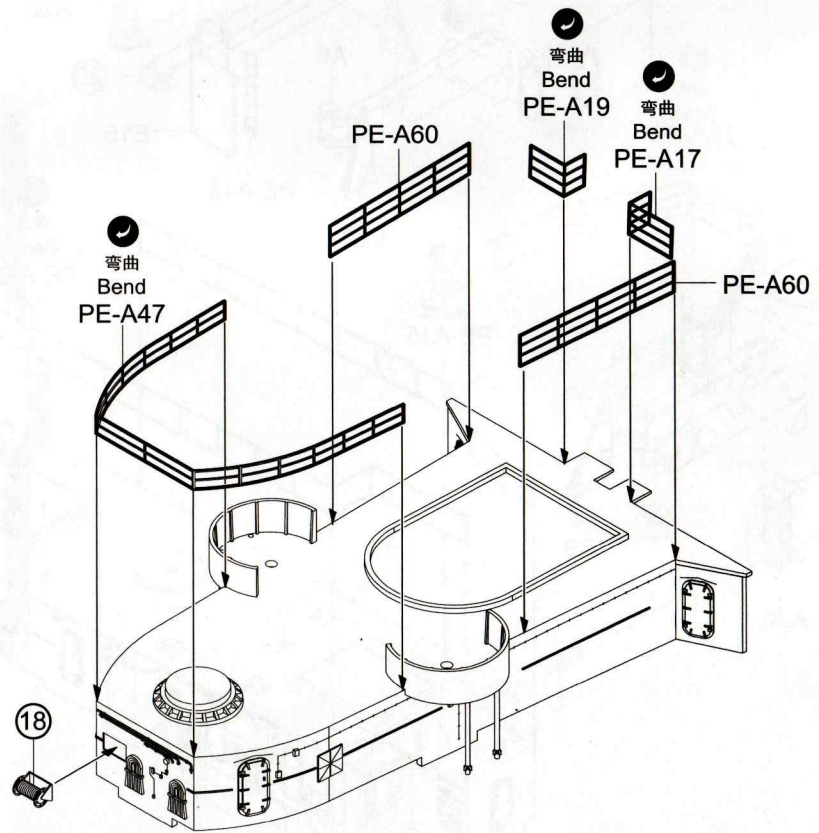
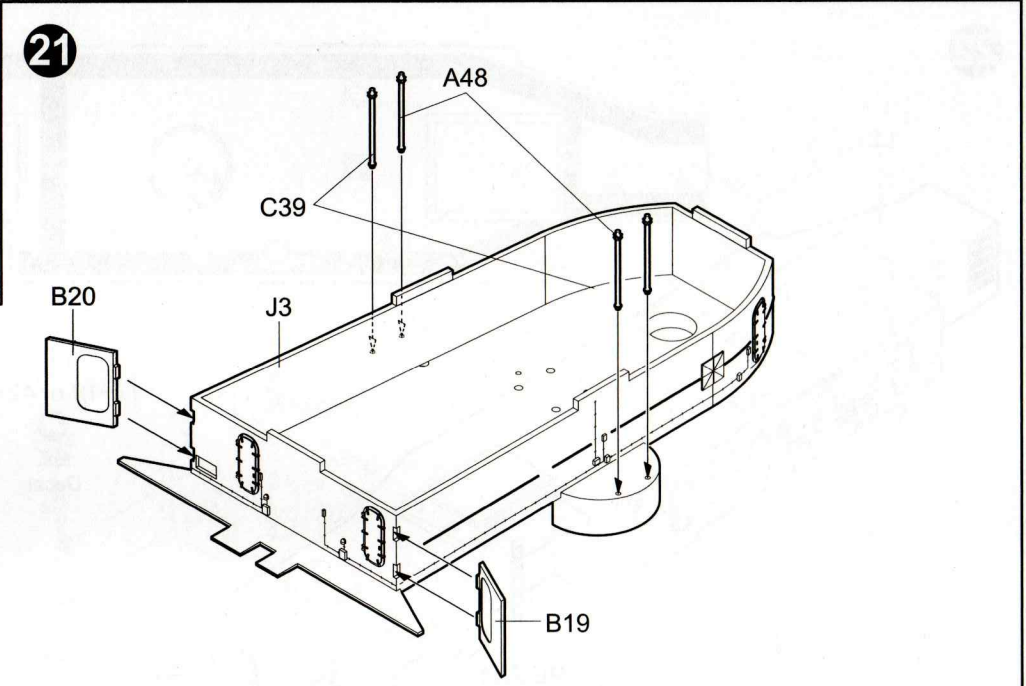
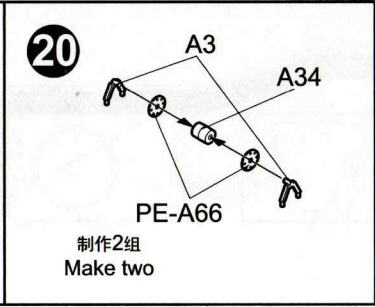
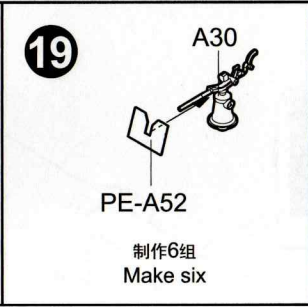
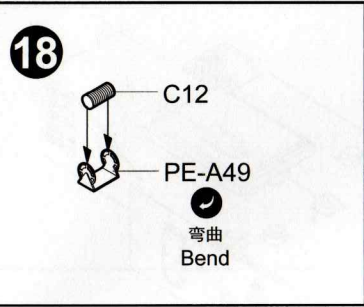
5

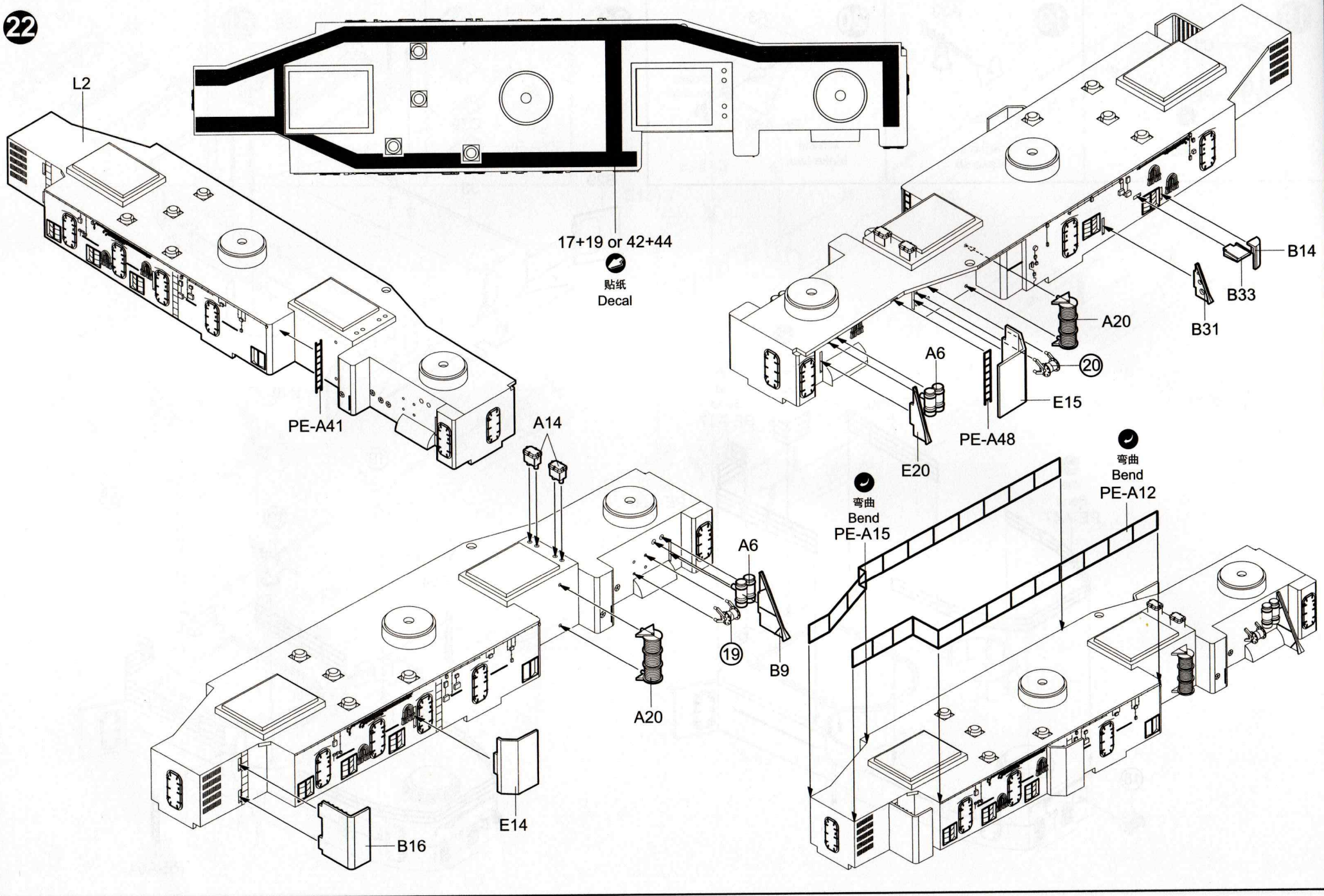


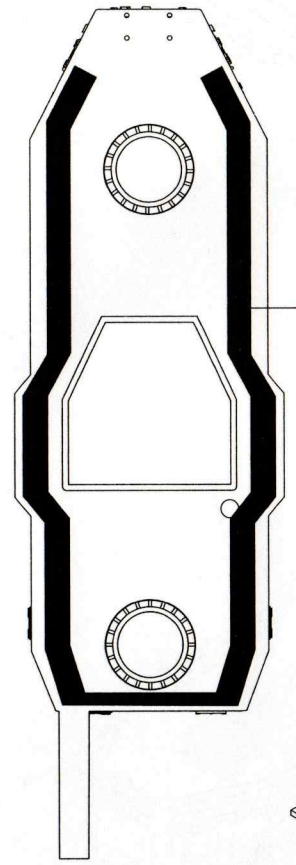
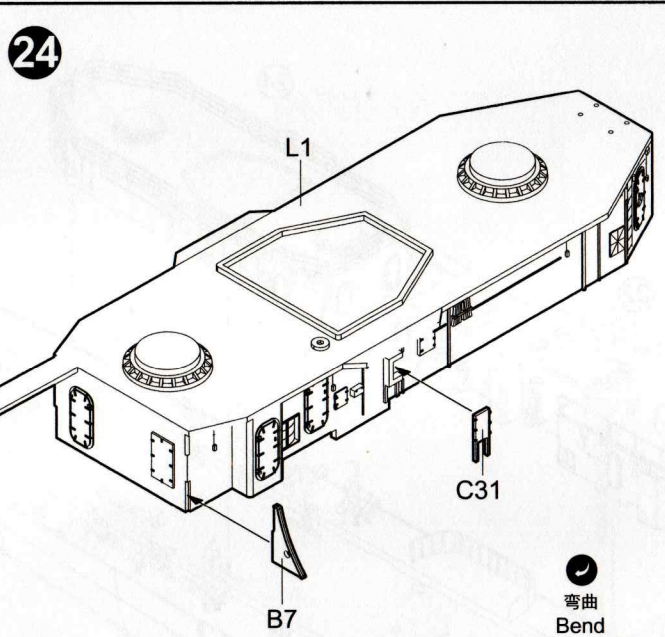
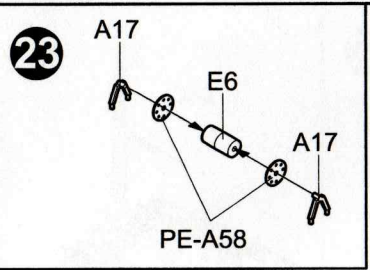






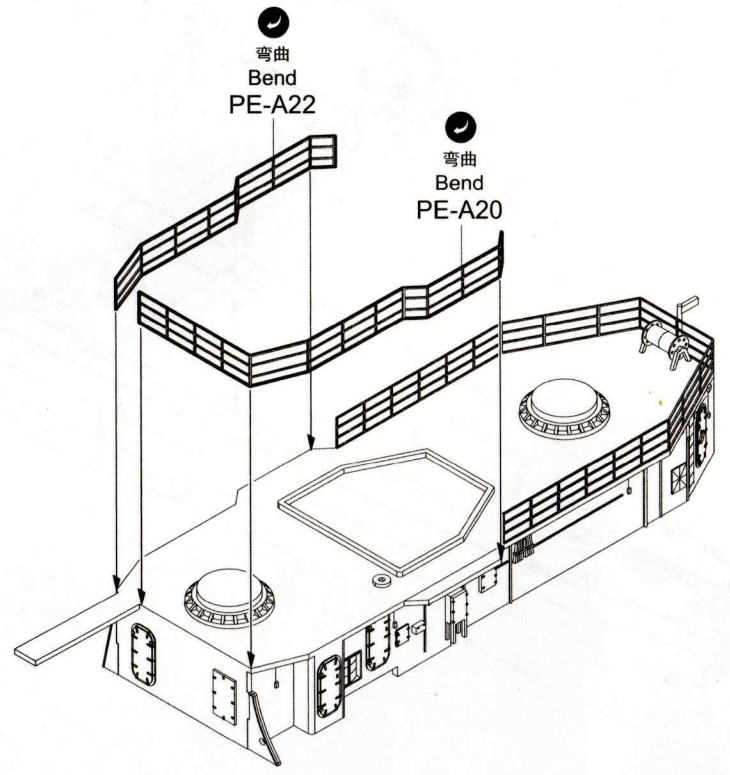
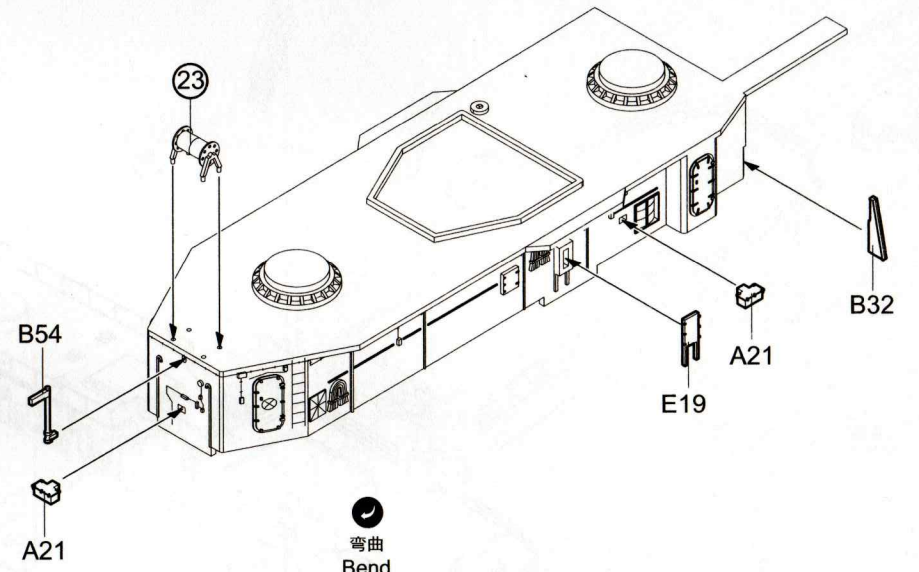
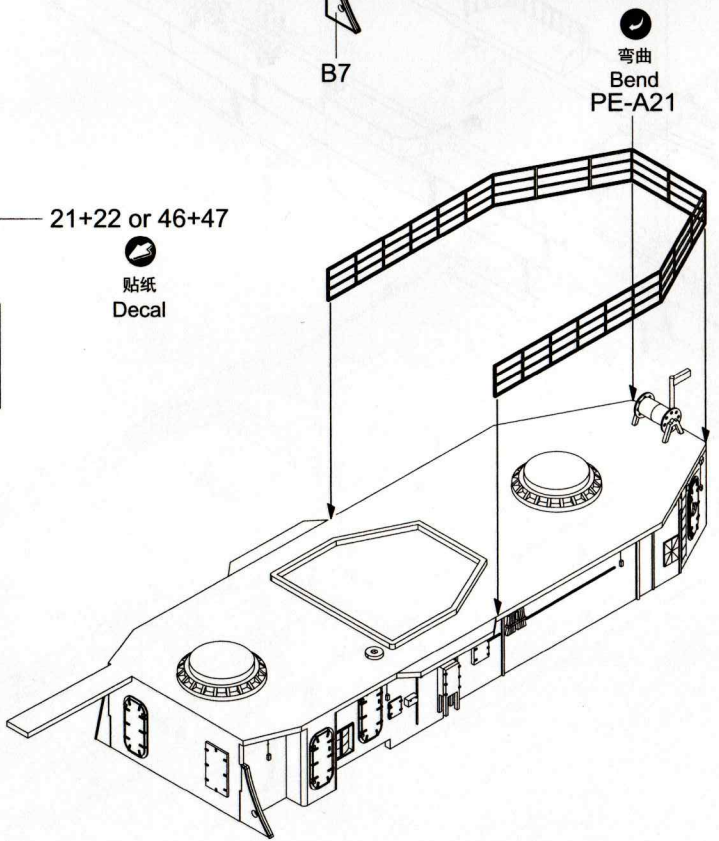


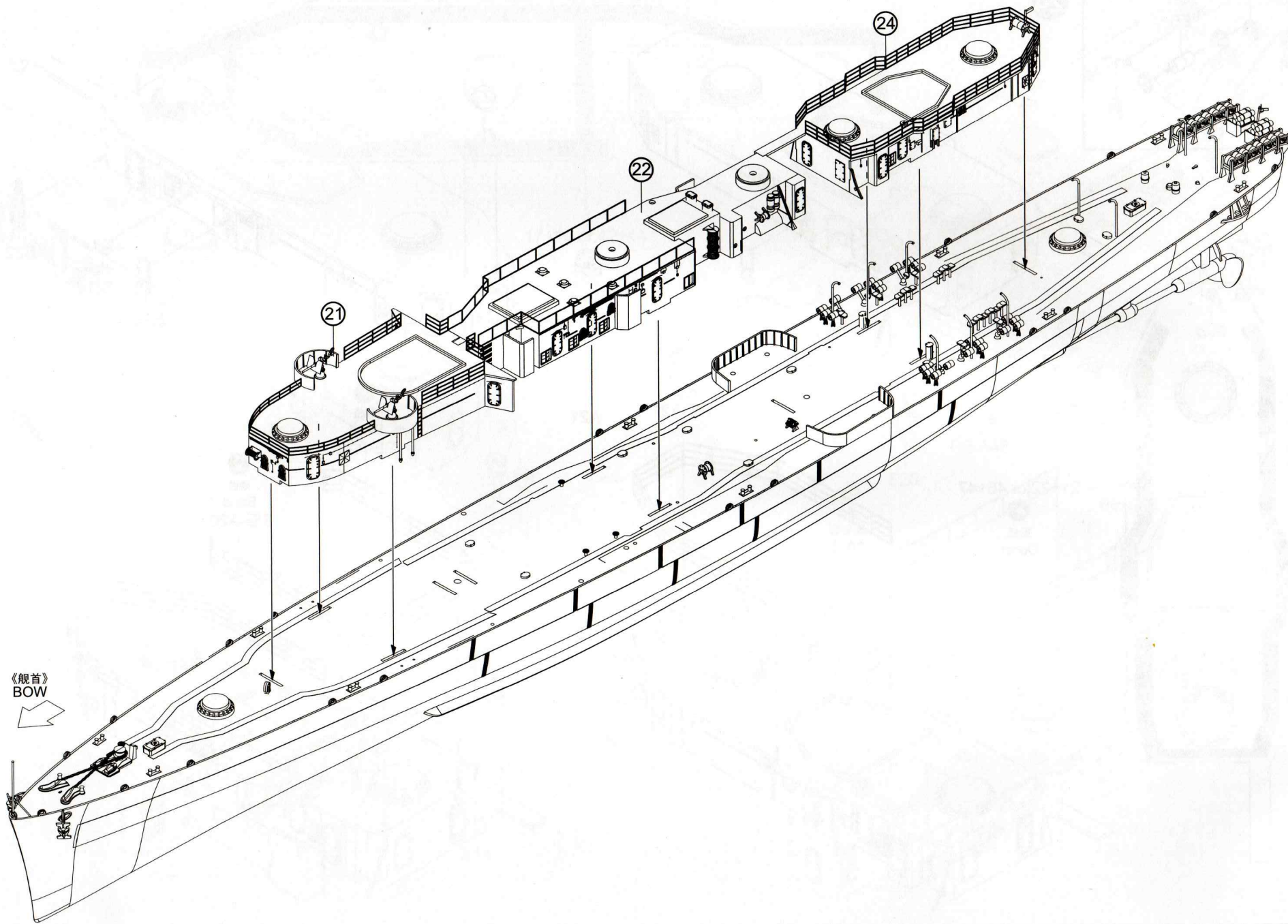




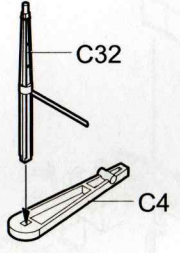
21+22 or 46+47

 贴纸
 Decal

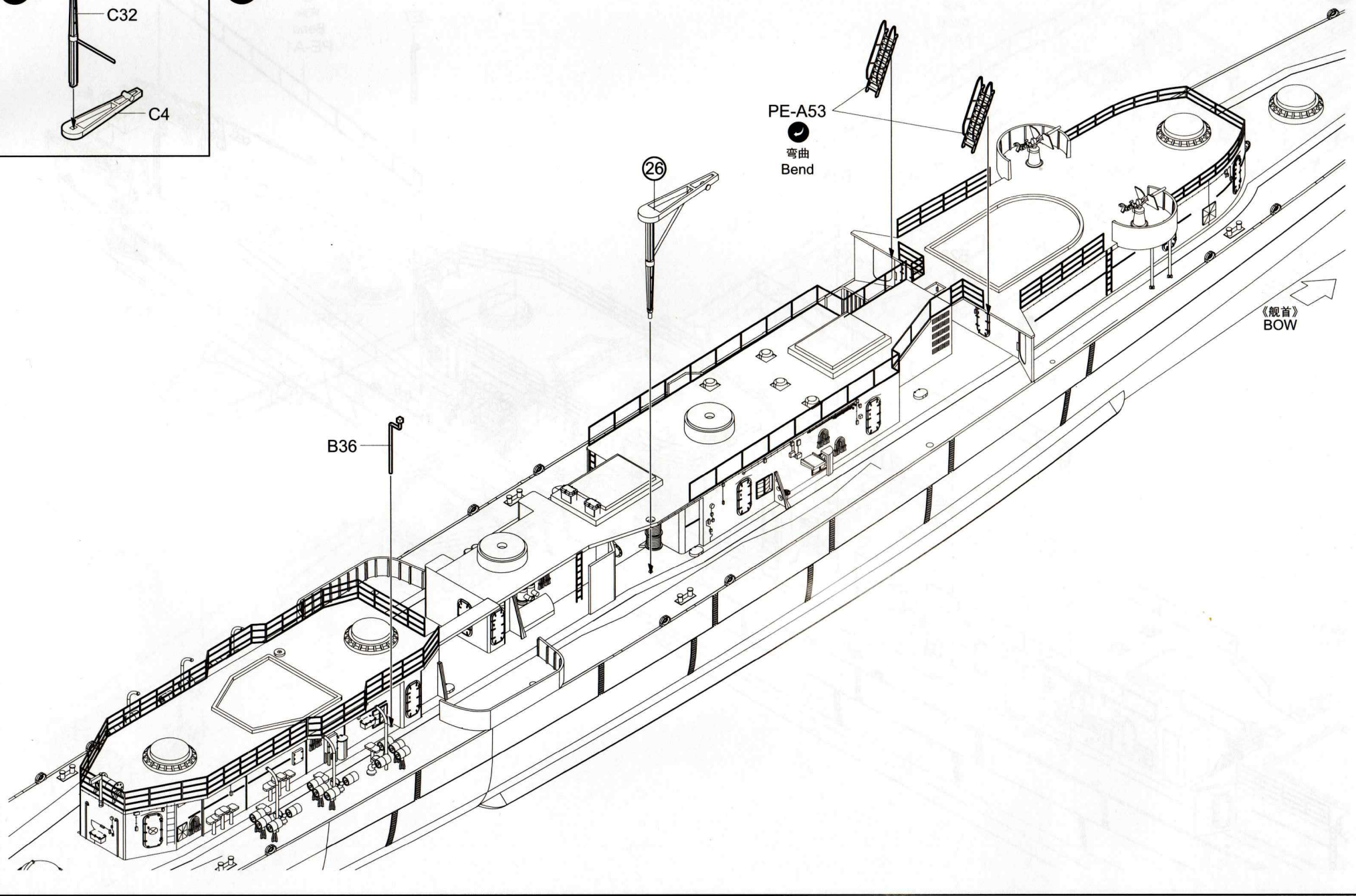


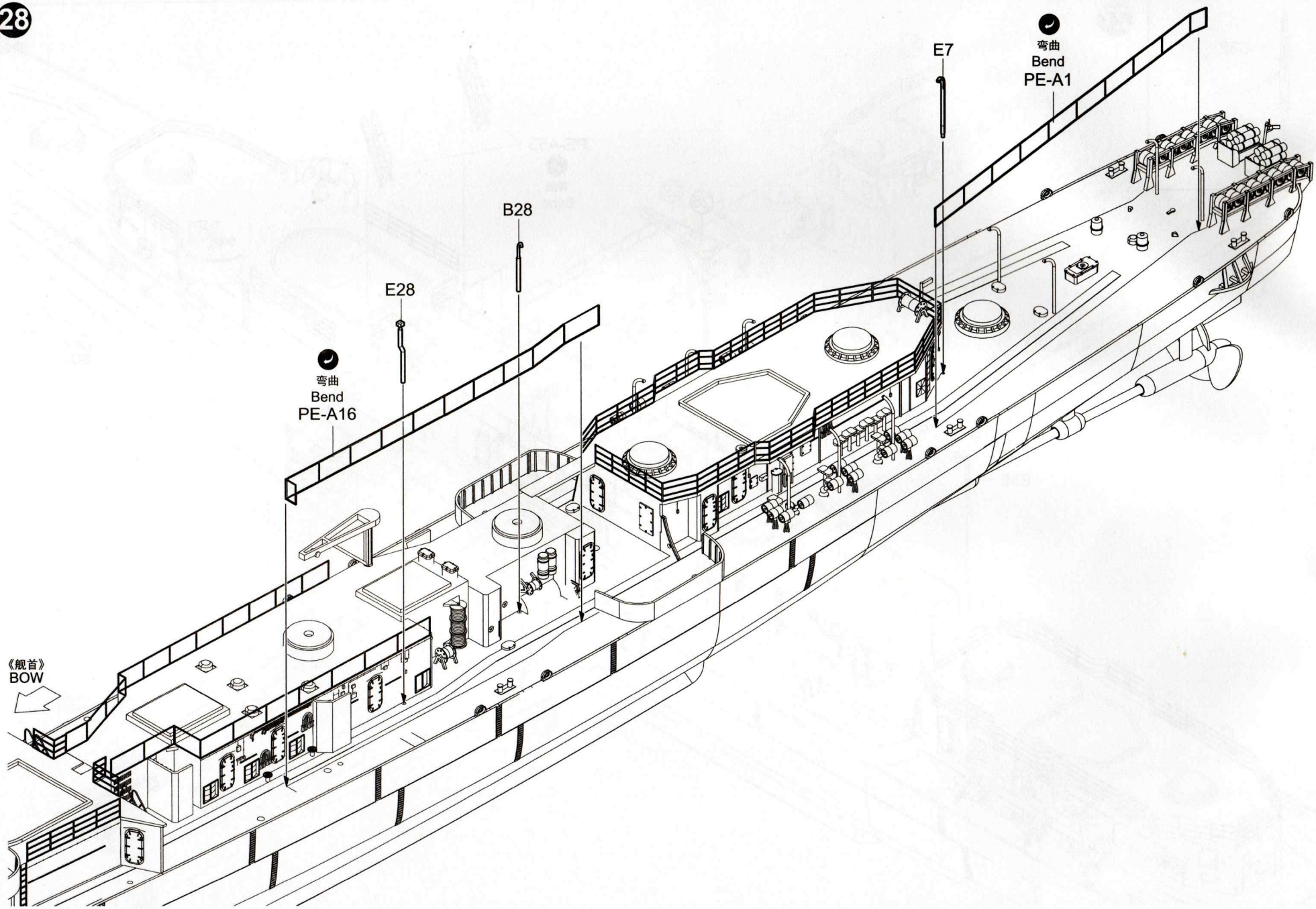


26

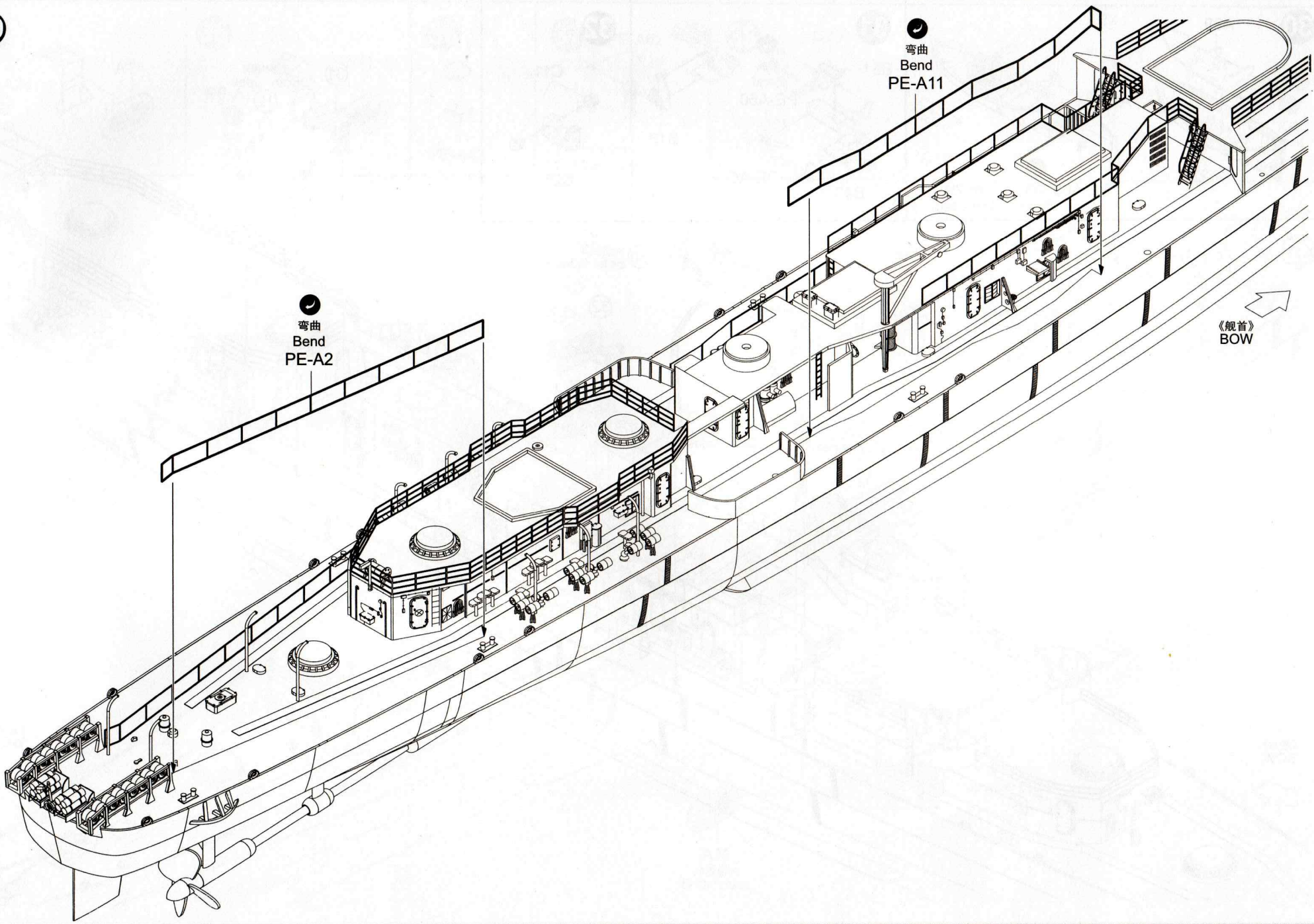


27

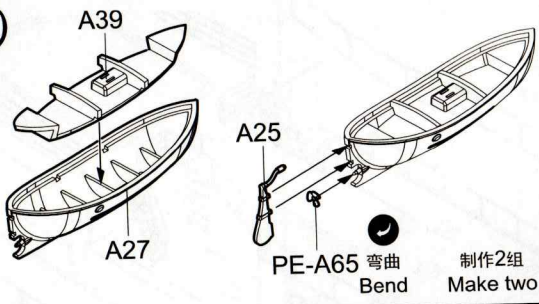




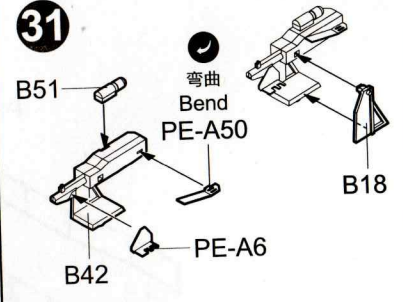
《舰首》
BOW



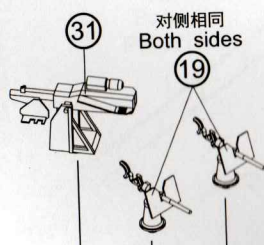
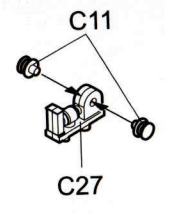
30



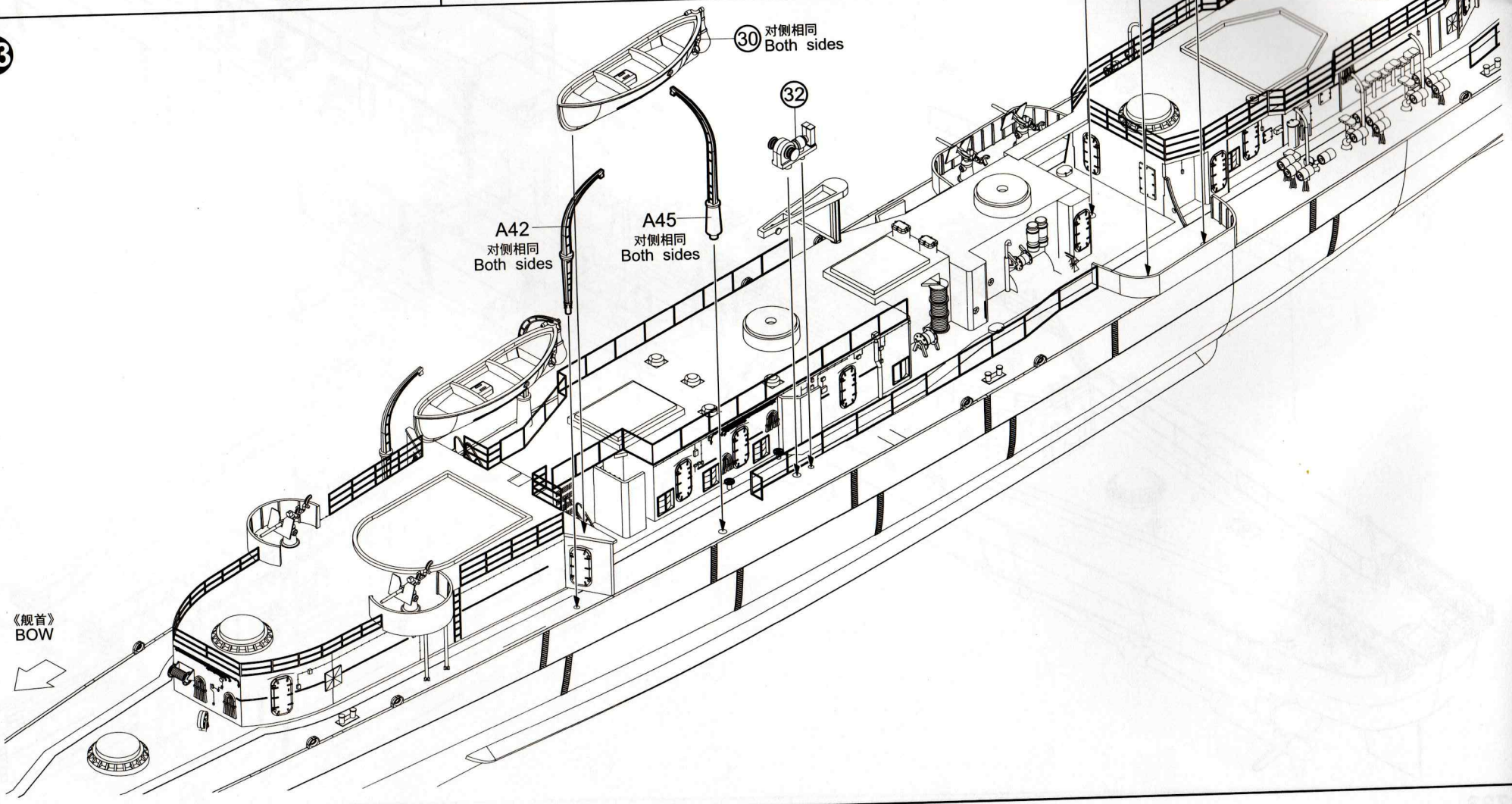
31



32



33



34

PE-A24
A11
弯曲
Bend

35

PE-A25
A11
弯曲
Bend

36

E16
PE-A42

37

PE-A62
E9
制作3组
Make three

38

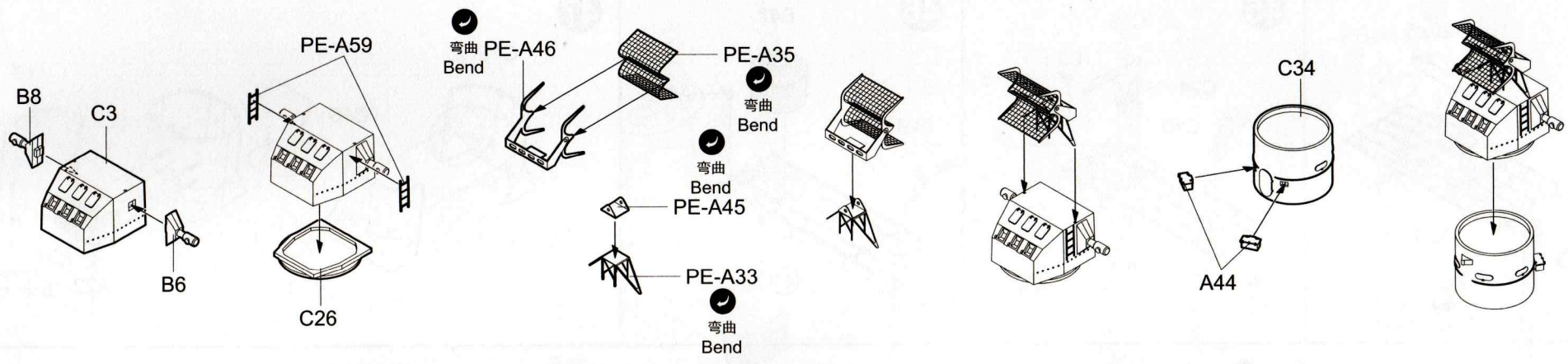
C29
C28
C19
C38
C23
C37
PE-A27
弯曲
Bend

39

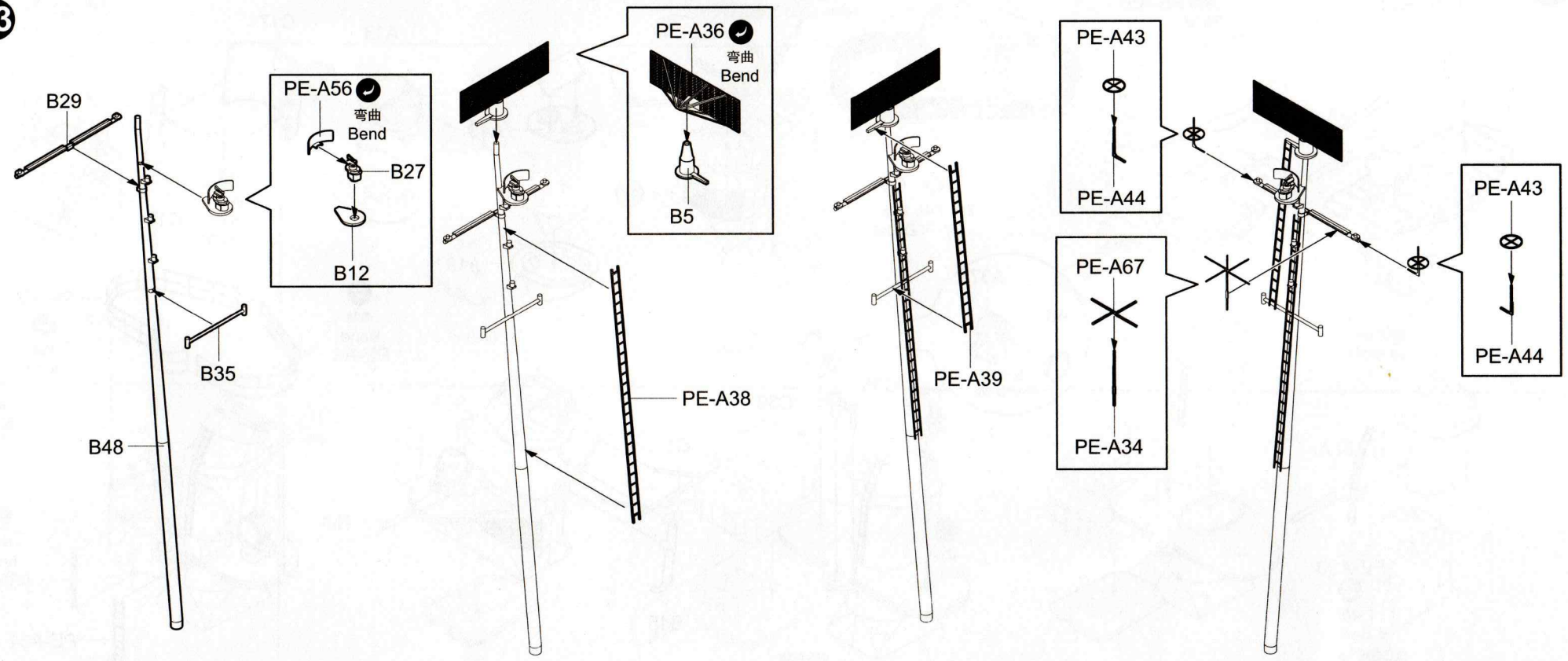
对侧 (35)
Opposite (35)
34
对侧相同
Both sides
A11
E23
对侧 E22
Opposite E22
A11
对侧相同
Both sides

《舰首》
BOW

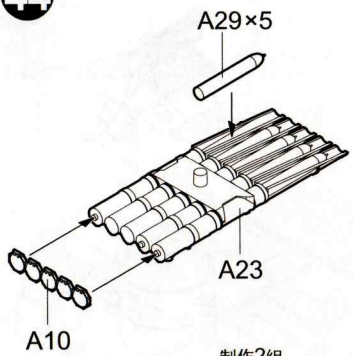
42



43

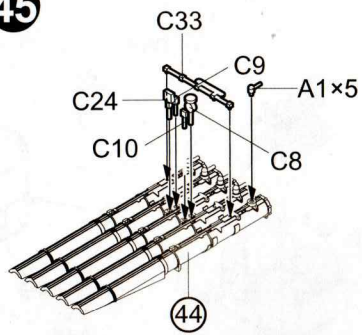


44

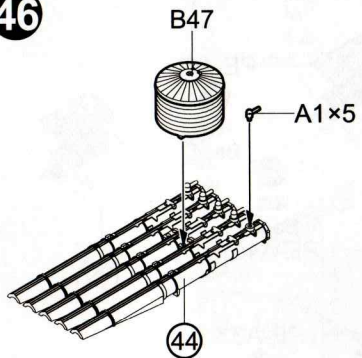


制作2组
Make two

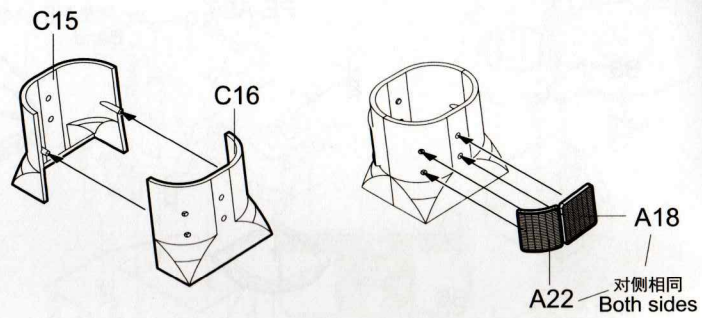
45



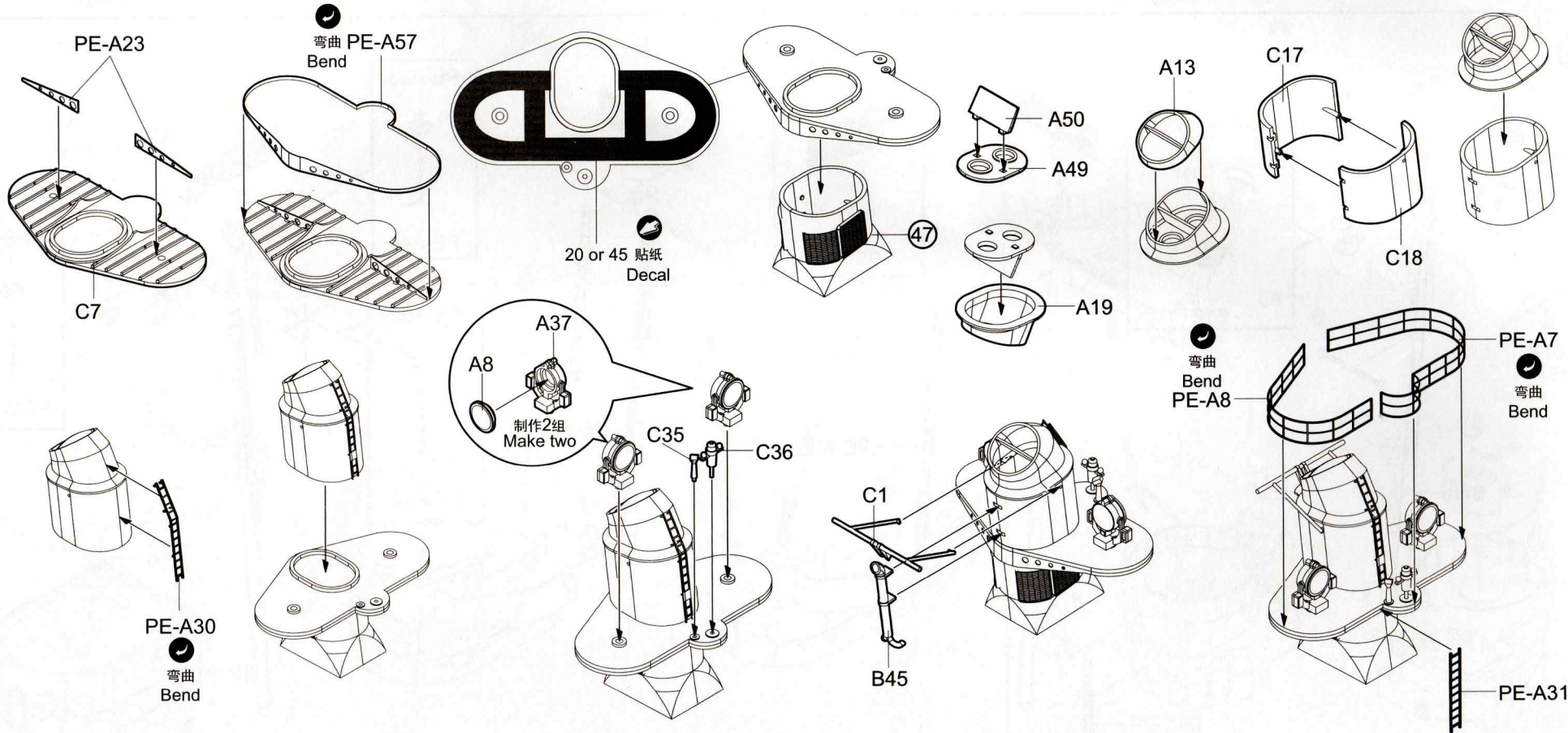
46



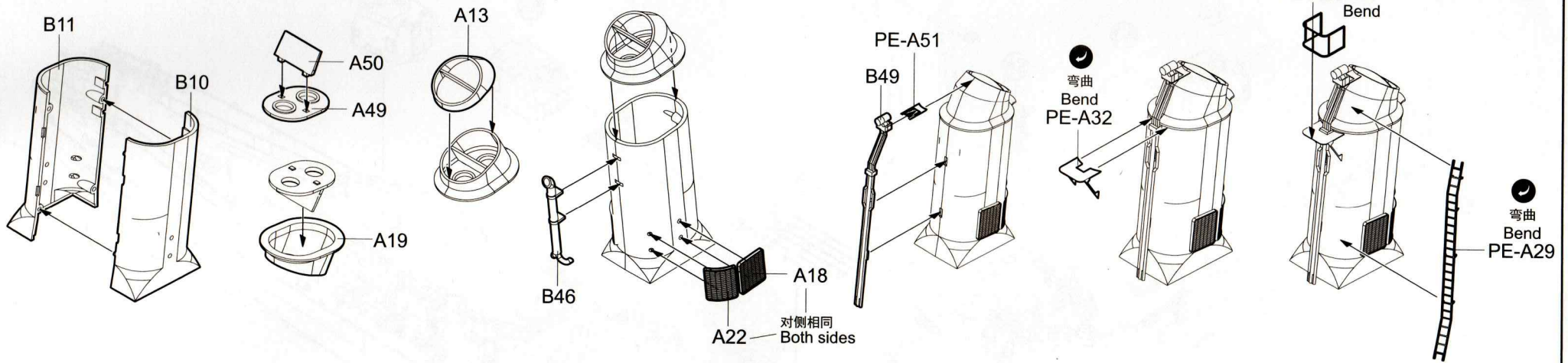
47



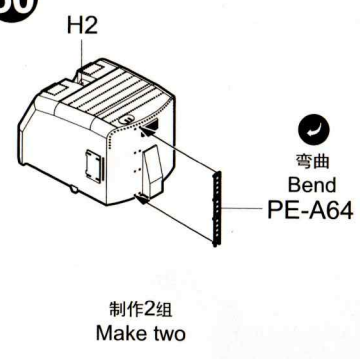
48



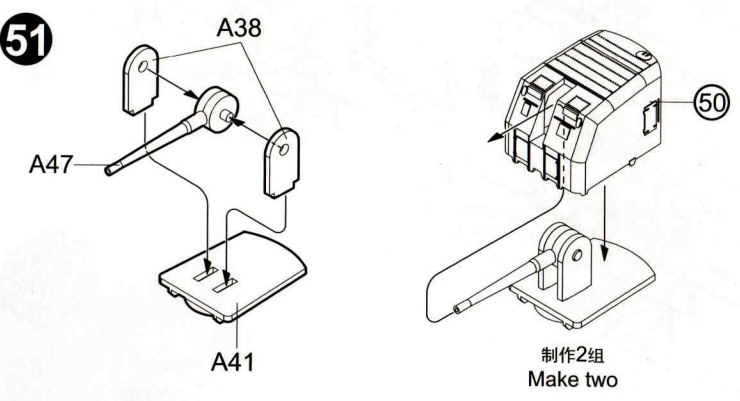
49



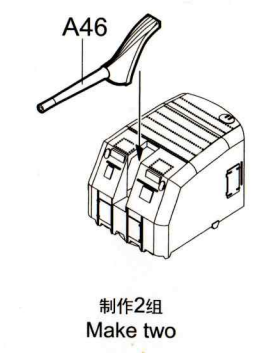
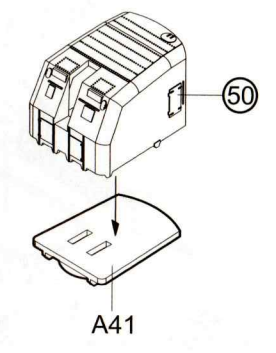
50



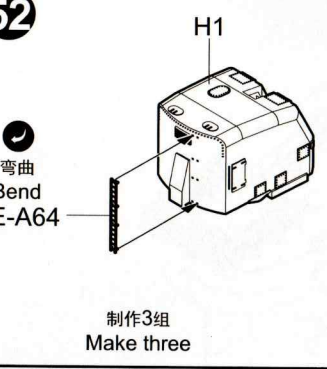
51



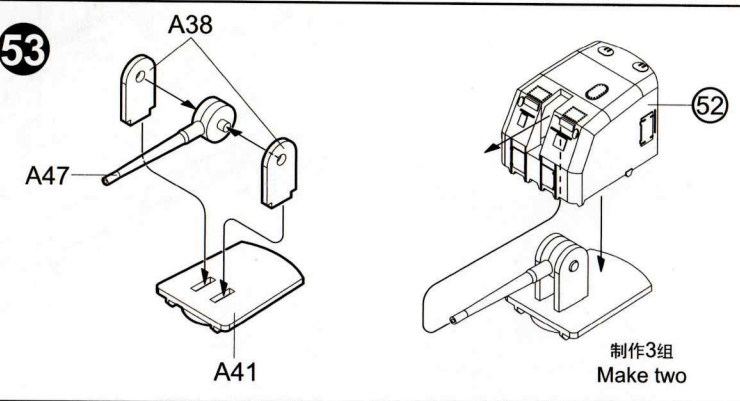
? 选择 Option



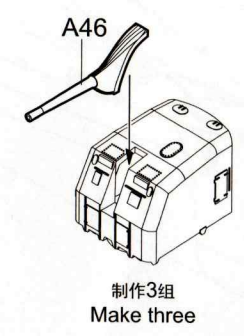
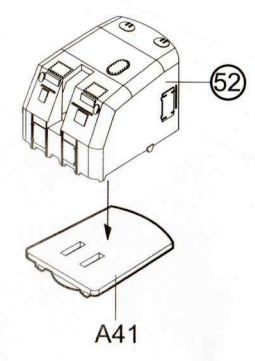
52

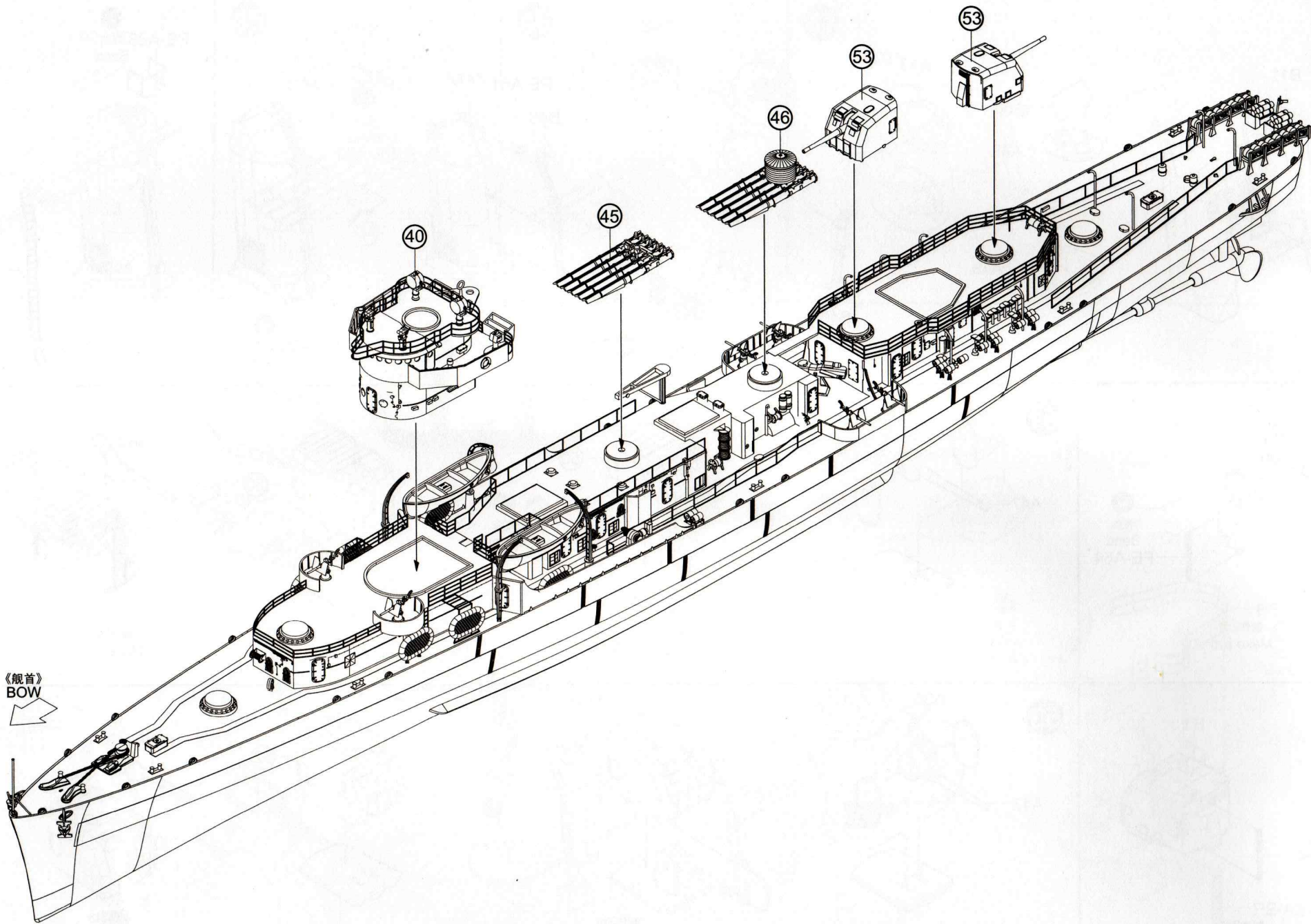


53



? 选择 Option





《舰首》
BOW

