

1:72 SCALE

ITEM NO.: 07269

USMC LAV-R

美国海军陆战队 LAV-R 装甲维修车



READ BEFORE ASSEMBLY:

- This kit is not recommended for inexperienced modelers or for children under 14 years of age
- Study and understand these instructions thoroughly before beginning assembly
- When needed, remove photo-etch parts carefully using a modeling knife or photo etch sprue cutter, being careful not to damage or lose small parts.
- Take extra care in handling photo etch parts in order to avoid injury
- Apply instant cement sparingly to photo etch parts where instructed
- Tools recommended(not included in kit):Plastic and instant cements,sprue cutters,long nose pliers,,modeling knife, small files, tweezers, pin vise & scissors. Soft cloth and sandpaper will also assist in construction
- Glue and paint are not included in the kit. Use plastic cement and hobby paints only. Color guide for purchasing paint is included in the kit.
- Keep out of reach of small children. They must not be allowed to ingest small parts or handle plastic bags in any way.

装配之前仔细阅读

- 小心用模型锉刀锉平所有零件表面的注射浇口。
- 小心用刀片切下蚀刻片零件，不要遗失小零件。
- 用强力快干胶水粘合蚀刻片零件和金属轴。过量的快干胶水使用可能导致可动零件会粘住，小心涂胶。
- 取蚀刻片时应特别注意安全，防止利边划伤手指。
- 某些零件表面需贴水上贴纸，请选择在装配的同时进行。
- 推荐模型工具(自备)：胶水，水口剪刀，长嘴钳，刀片，锉刀，镊子，钳，钻，剪刀、瞬间快干胶。
- 软布同砂纸同时也应该是必备工具。
- 请使用塑料胶水和油漆，模型内不含。
- 谨防小孩吸吮塑料零件，或者将塑料袋套在头上，制作时应将器材远离小孩接触。
- 本产品不适合14岁以下没有经验的模型爱好者。



cyanoacrylate glue
使用强力胶



weight
配重



make hole
钻孔



cut / remove
切除



bend
弯曲



file / sand
锉平



option
选择



no cement
不涂胶水



decal
贴纸

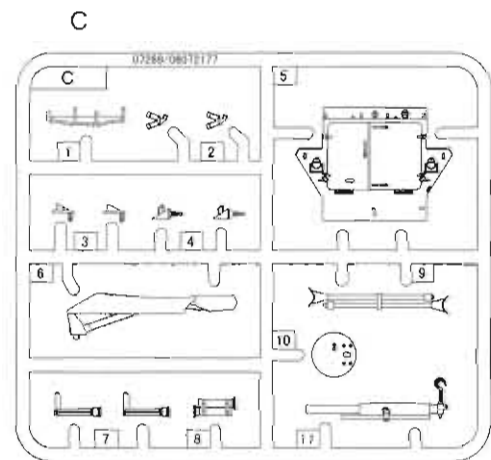
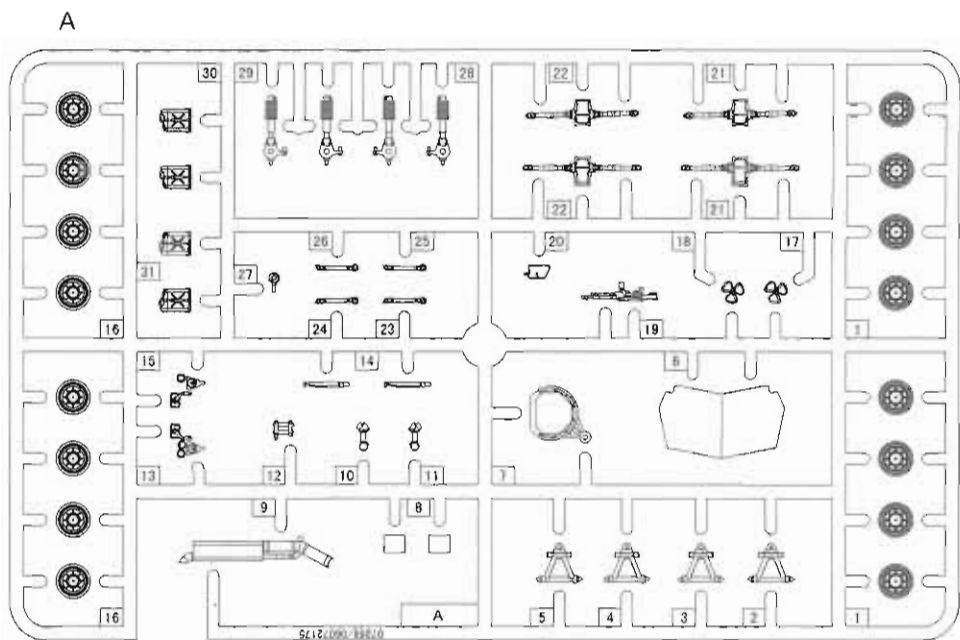
水贴纸的使用:

1. 从水贴上剪下印花;
2. 将印花放入温水中浸10秒，然后放在干净布上。
3. 拿着印花纸板将印花移到模型上;
4. 手指蘸水将印花移到适当的位置;
5. 用软布轻压印花直至水干，汽泡消失。

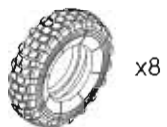
DECAL APPLICATION

1. Cut off decal from sheet.
2. Dip the decal in tepid water 40°C for about 10 sec. and place on a clean cloth.
3. Hold the backing sheet edge and slide decal onto the model.
4. Move decal into position by wetting decal with finger.
5. Press decal gently down with a soft cloth until excess water and air bubbles are gone.
6. Allow decal to dry completely before handling model.

部品图
Parts

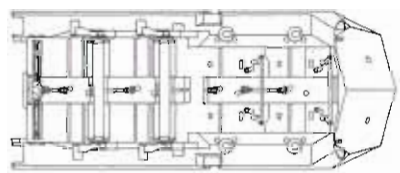


《轮胎》
Tire
《薄》
Thin

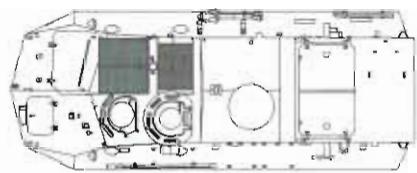


《水贴纸》
Decal

《车底》
Lower hull



《车面》
Upper hull

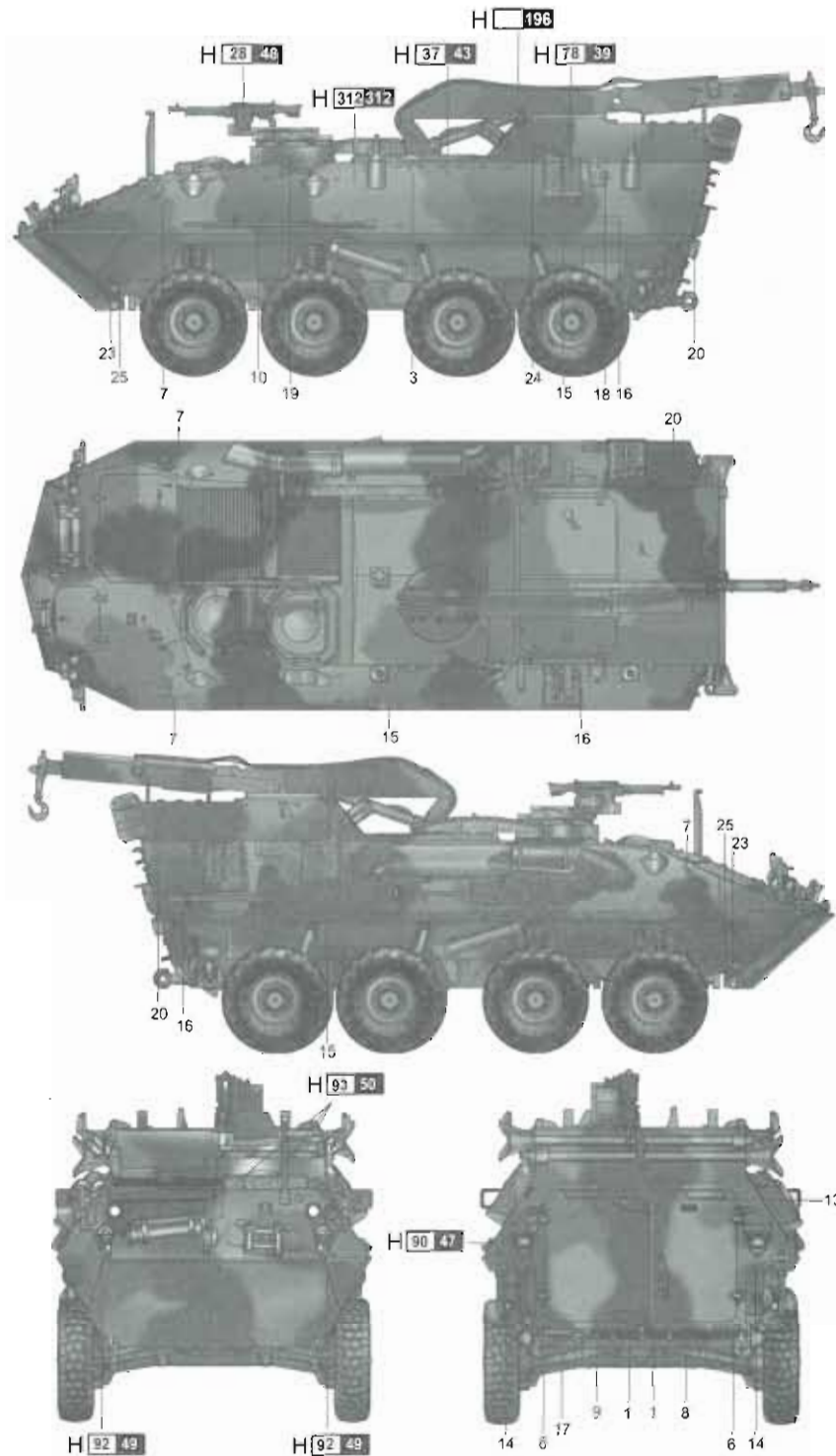


不用部品: A16x8,A14,A31
Unused parts

涂装同标贴指示
Painting & Marking guide

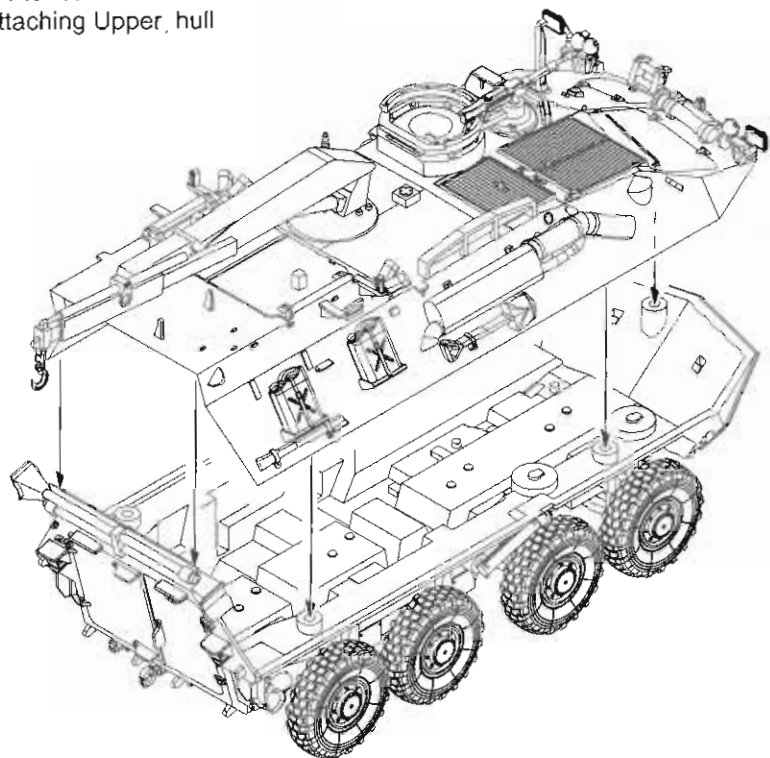
使用 MR.HOBBY 涂料 Mr. Color Used

H[78] 39	橄榄色 Olive Drab	H[37] 43	木棕色 Wood Brown
H[90] 47	透明红 Clear Red	H[28] 48	枪黑色 Metal Black
H[92] 49	透明橘 Clear Orange	H[93] 50	透明蓝 Clear Blue
H[] 195	深灰色 Dark Gray	H[113] 312	中灰绿 Medium Grey Green

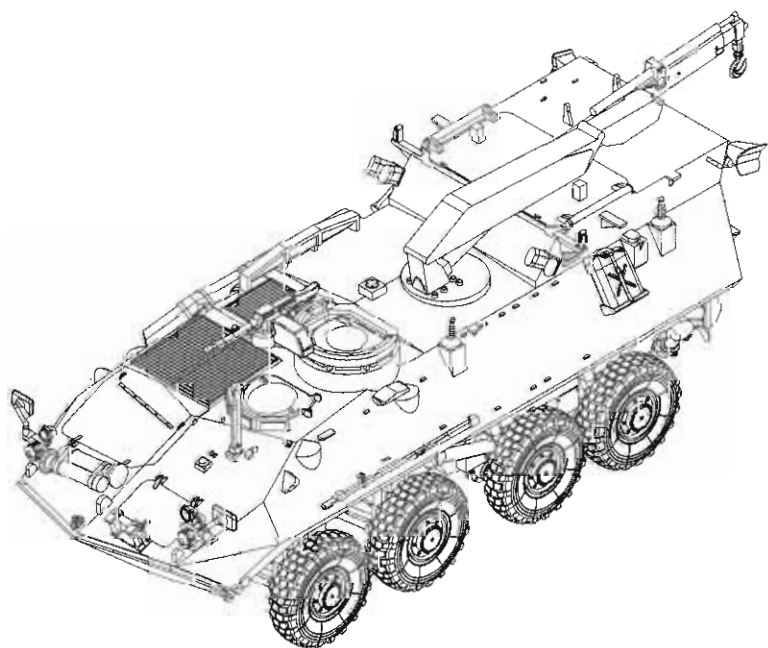


Mr. AQUEOUS HOBBY COLOR ■ Mr. COLOR

6 车面安装
Attaching Upper hull



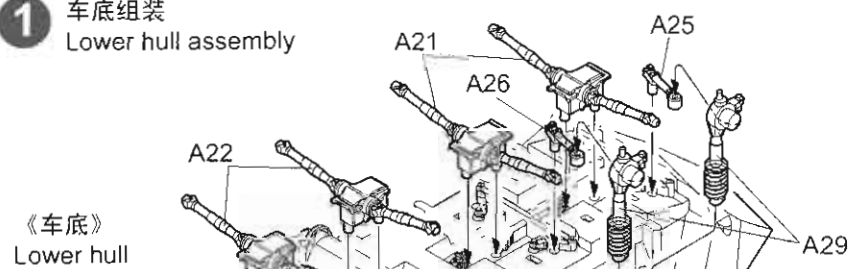
7 完成
Finish



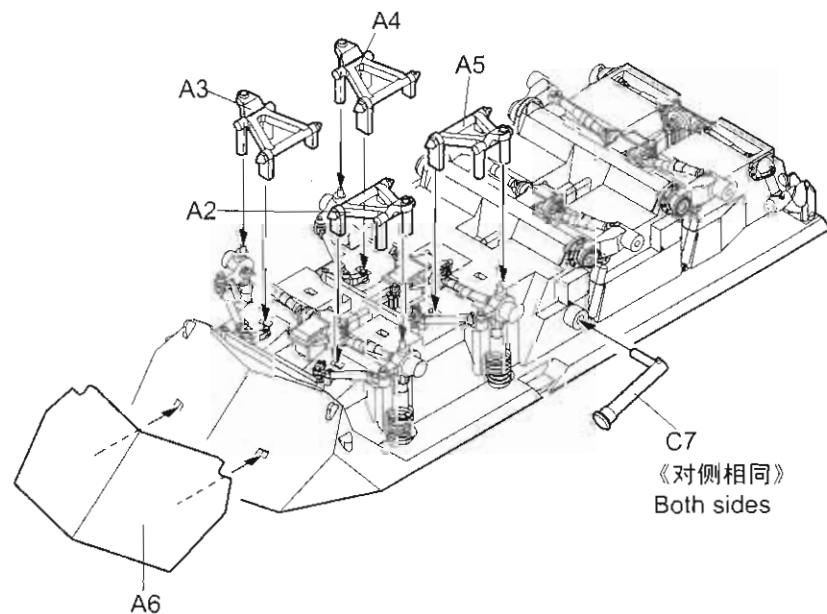
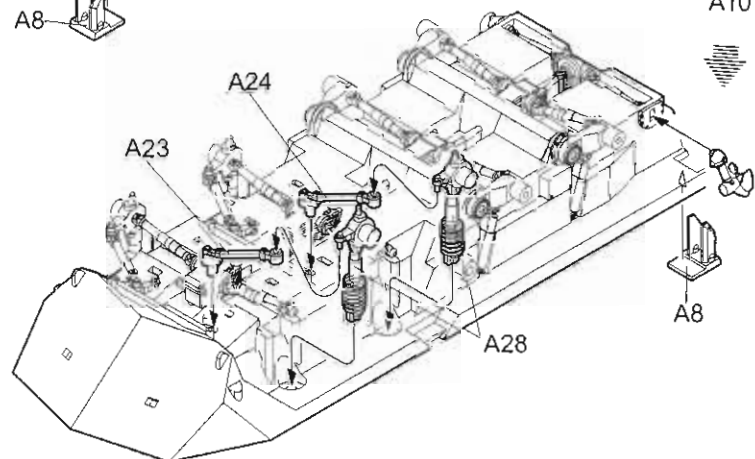
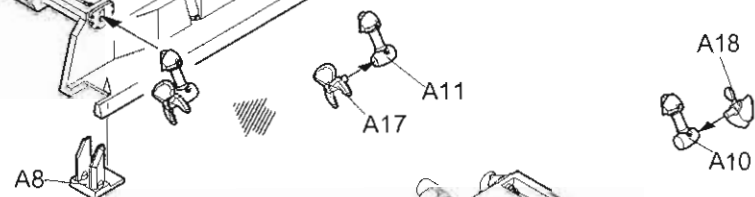
07269

6

1 车底组装
Lower hull assembly



《车底》
Lower hull

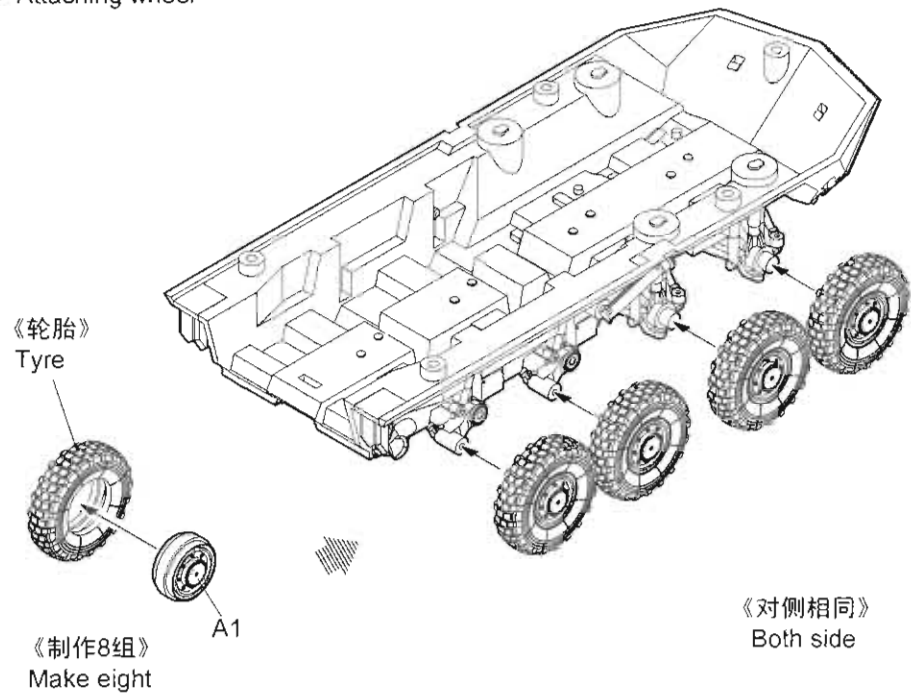


C7
《对侧相同》
Both sides

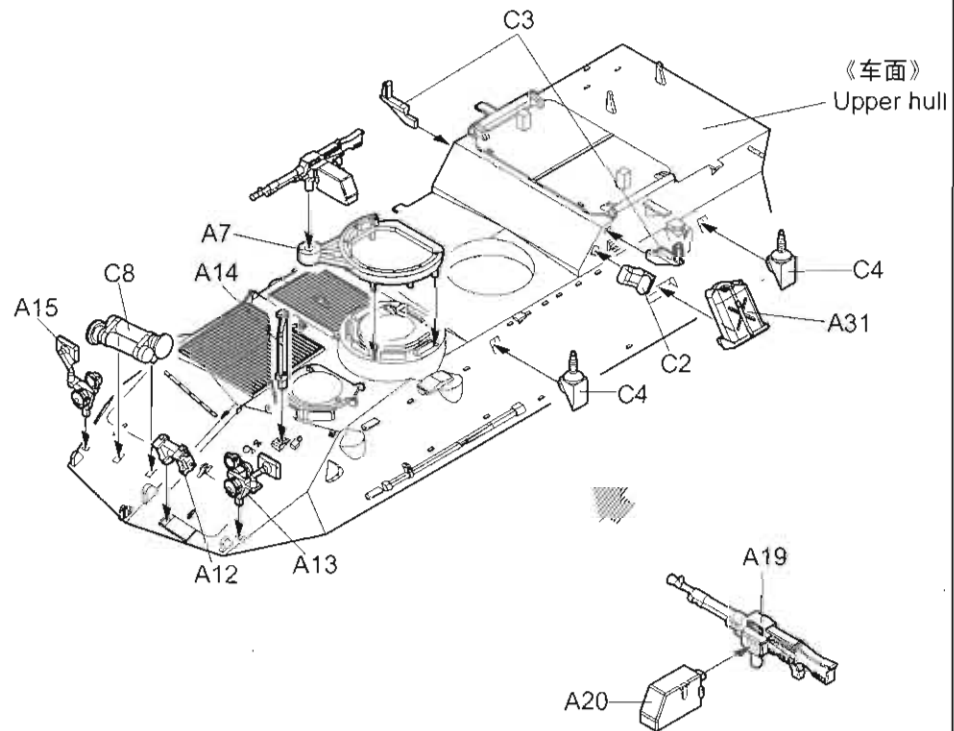
07269

3

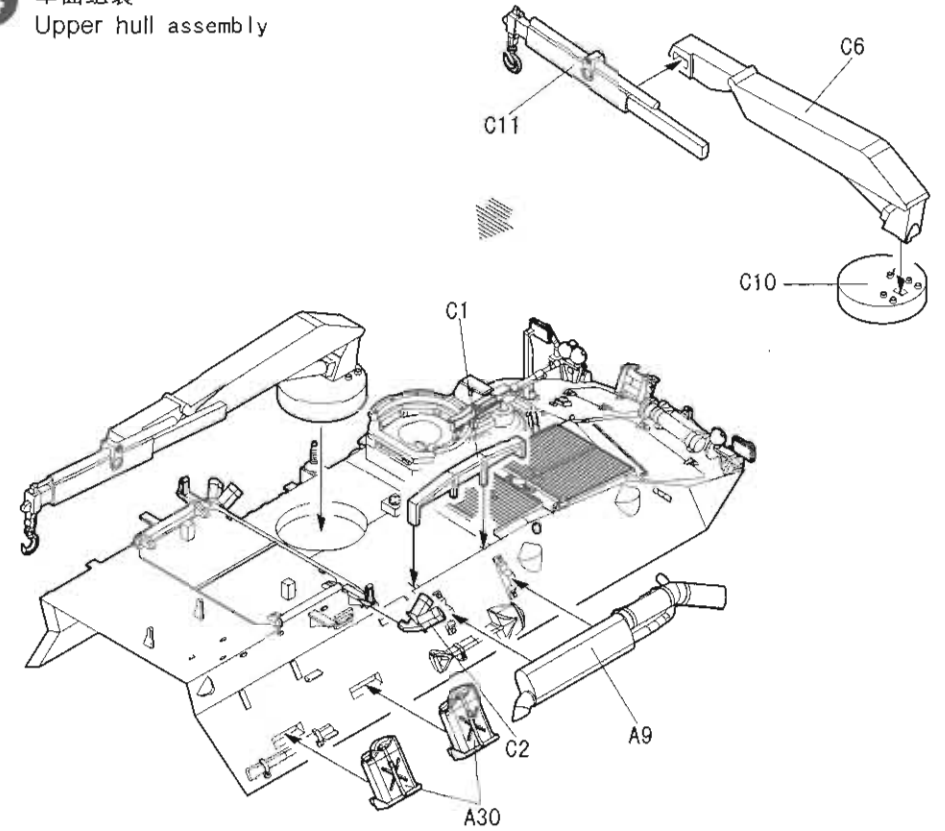
2 车轮安装
Attaching wheel



3 车面组装
Upper hull assembly



4 车面组装
Upper hull assembly



5 后板安装
Attaching rear panel

