

German Bismarck Battleship

1/200 scale

德国“俾斯麦”号战列舰

READ BEFORE ASSEMBLY:

- This kit is not recommended for inexperienced modelers or for children under 14 years of age
- Study and understand these instructions thoroughly before beginning assembly
- When needed, remove photo-etch parts carefully using a modeling knife or photo etch sprue cutter, being careful not to damage or lose small parts.
- Take extra care in handling photo etch parts in order to avoid injury
- Apply instant cement sparingly to photo etch parts where instructed
- Tools recommended(not included in kit):Plastic and instant cements,sprue cutters,long nose pliers,,modeling knife, small files, tweezers, pin vise & scissors. Soft cloth and sandpaper will also assist in construction
- Glue and paint are not included in the kit. Use plastic cement and hobby paints only. Color guide for purchasing paint is included in the kit.
- Keep out of reach of small children. They must not be allowed to ingest small parts or handle plastic bags in any way.

装配之前仔细阅读

- 小心用模型锉刀锉平所有零件表面的注射浇口。
- 小心用刀片切下蚀刻片零件，不要遗失小零件。
- 用强力快干胶水粘合蚀刻片零件和金属轴。过量的快干胶水使用可能导致可动零件会粘住，小心涂胶。
- 取蚀刻片时应特别注意安全，防止利边划伤手指。
- 某些零件表面需贴水上贴纸，请选择在装配的同时进行。
- 推荐模型工具(自备)：胶水，水口剪刀，长咀钳，刀片，锉刀，镊子钳，钻，剪刀，瞬间快干胶。
- 软布同砂纸同时也应该是必备工具。
- 请使用塑料胶水和油漆，模型内不含。
- 谨防小孩吮吸塑料零件，或者将塑料袋套在头上，制作时应将套材远离小孩接触。
- 本产品不适合14岁以下没有经验的模型爱好者。

水贴纸的使用:

1. 从水贴上剪下印花;
2. 将印花放入温水中浸10秒, 然后放在干净布上。
3. 拿着印花纸将印花移到模型上;
4. 手指蘸水将印花移到适当的位置;
5. 用软布轻压印花直至水干, 气泡消失。

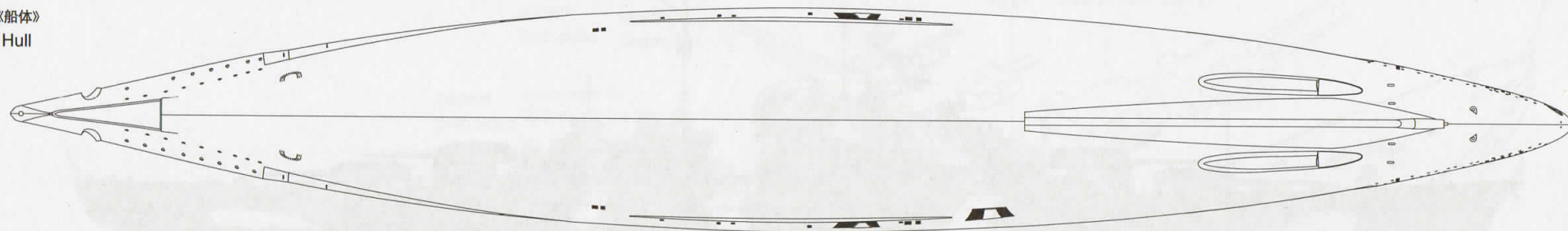
DECAL APPLICATION:

1. Cut decals from sheet as needed
2. Dip the decal in warm water for about 10 seconds and then place on soft clean cloth.
3. Hold the decal backing sheet edge and gently slide the decal onto the model in its proper position.
4. While still wet,decal can be adjusted for better fit on model by dampening it gently with your finger.
5. When placed in the proper position,gently press decal down with a soft cloth until excess water and air bubbles are gone.
6. Allow decal to dry completely before handling model

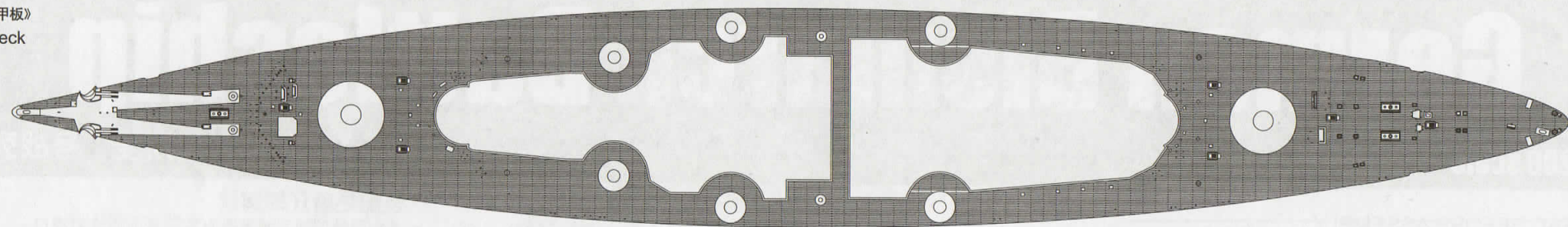


部品图 Parts

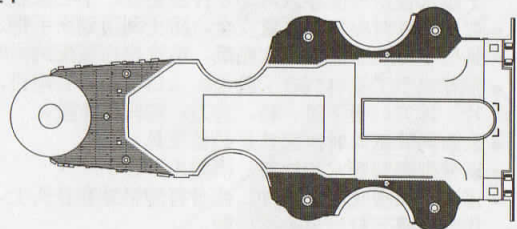
《船体》
Hull



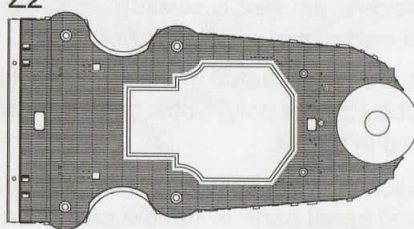
《甲板》
Deck



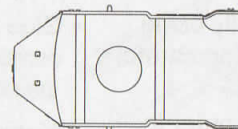
Z1



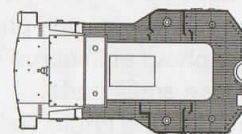
Z2



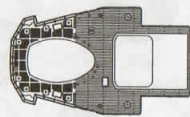
Z3



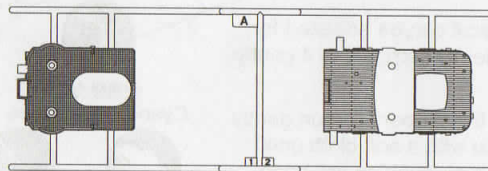
Z4



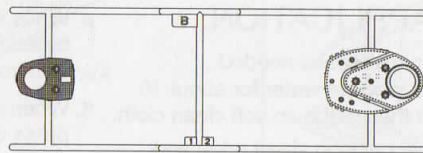
Z5



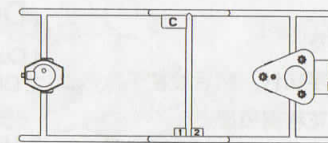
A

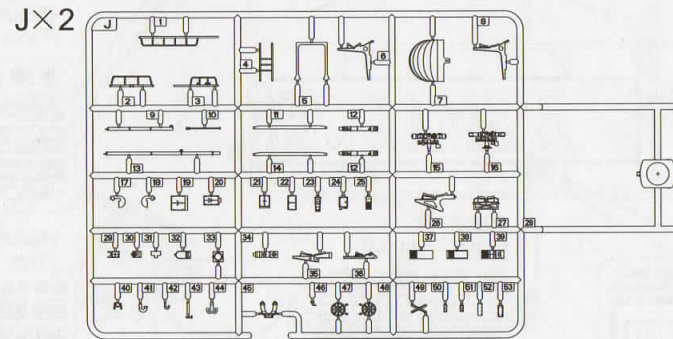
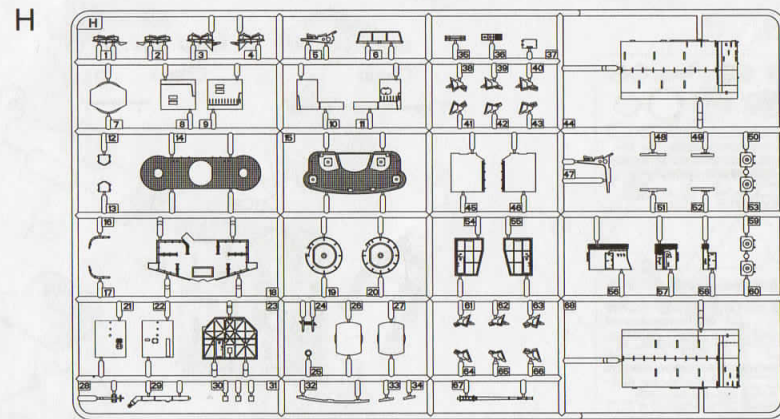
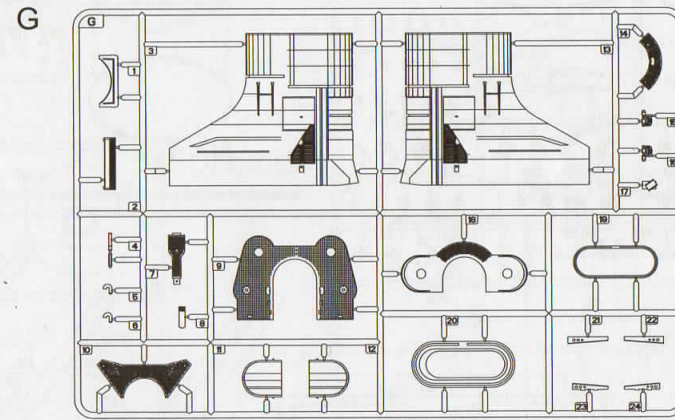
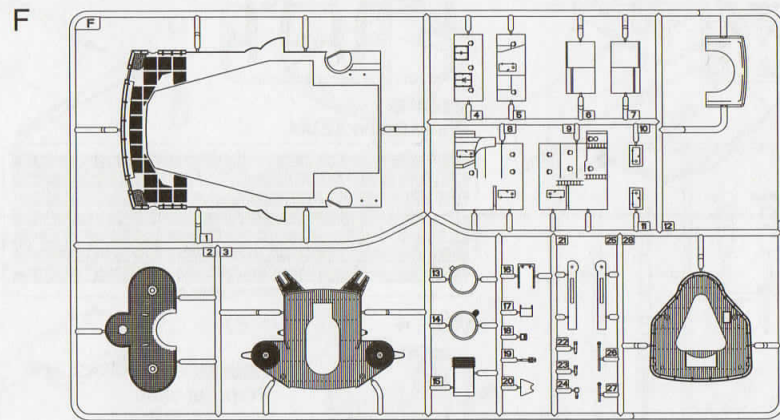
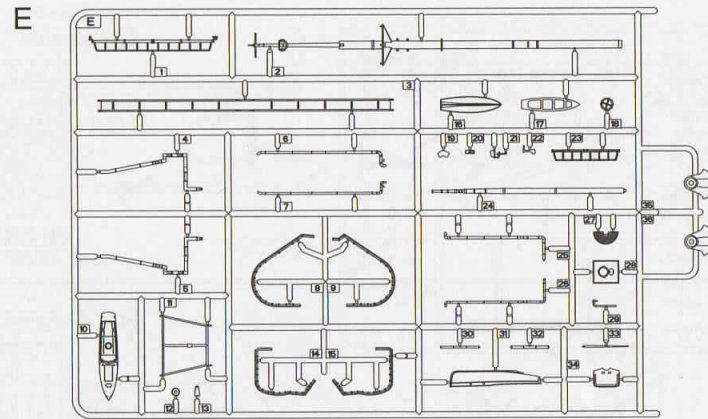
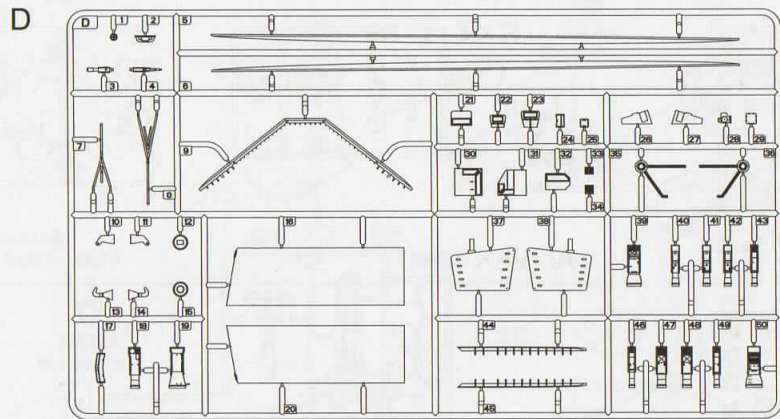


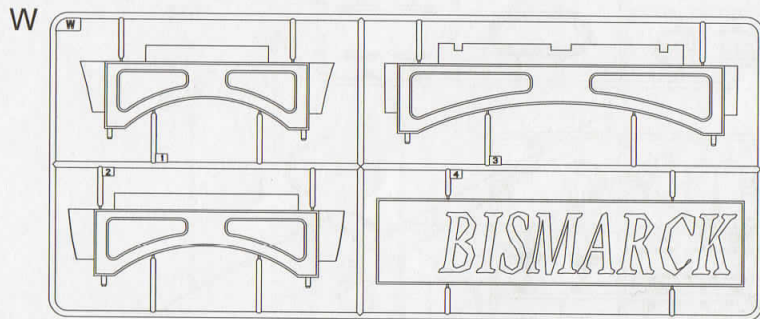
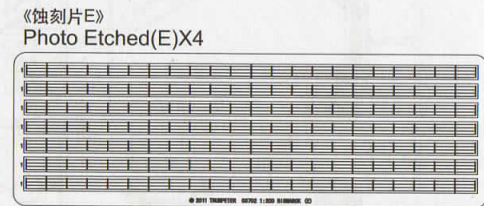
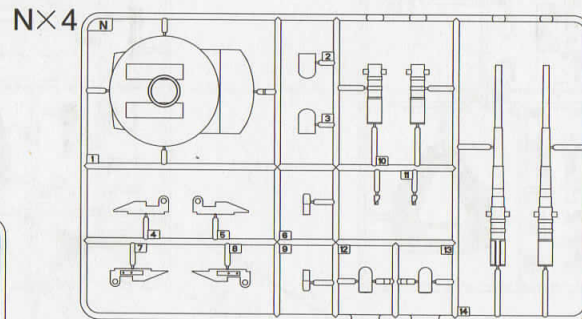
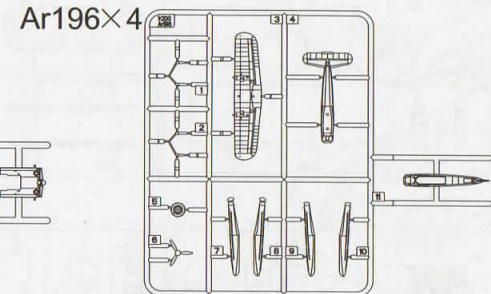
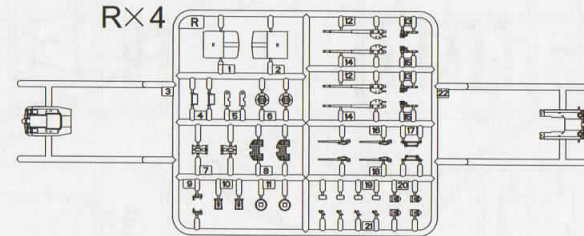
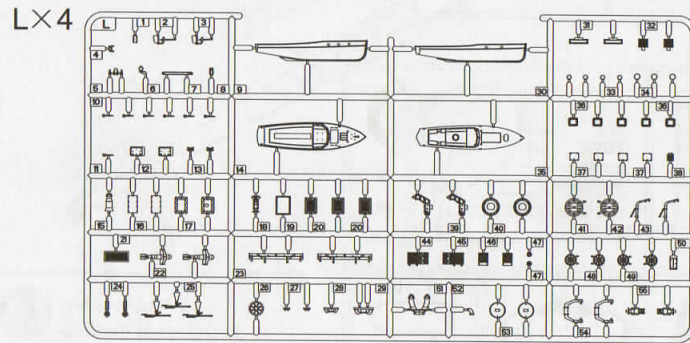
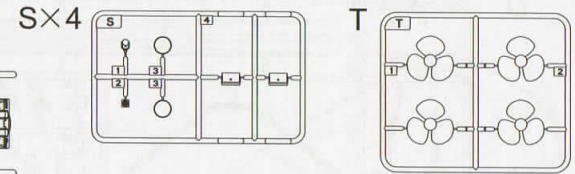
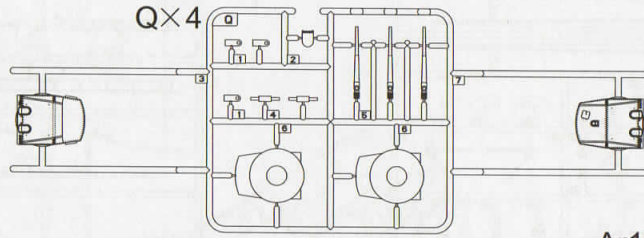
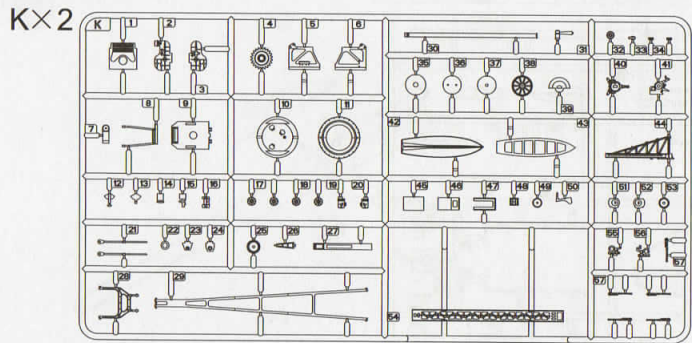
B



C



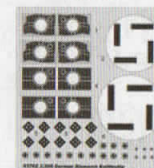




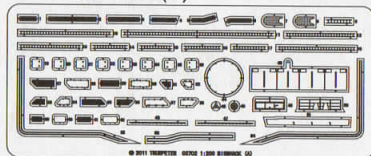
《锚链》(A) L:600 《锚链》(B) L:100
Chain Chain



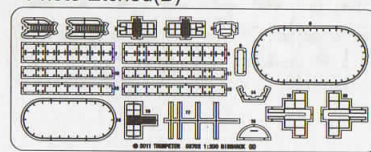
《水贴》
Decal



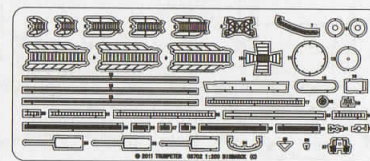
《蚀刻片A》
Photo Etched (A)



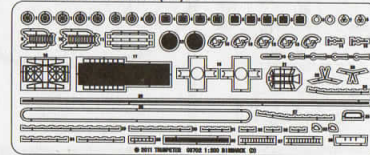
《蚀刻片B》
Photo Etched (B)



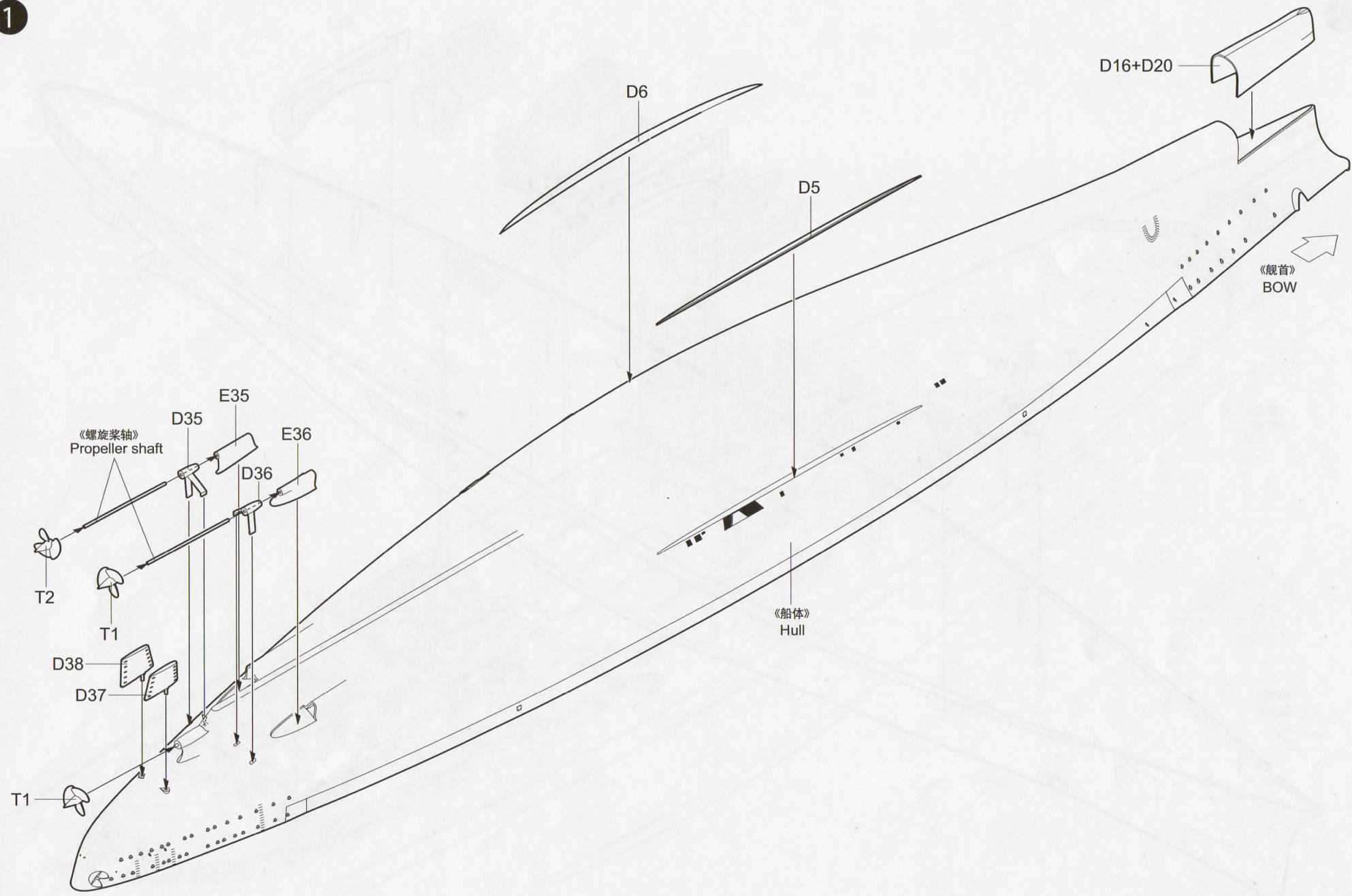
《蚀刻片C》
Photo Etched (C)X2



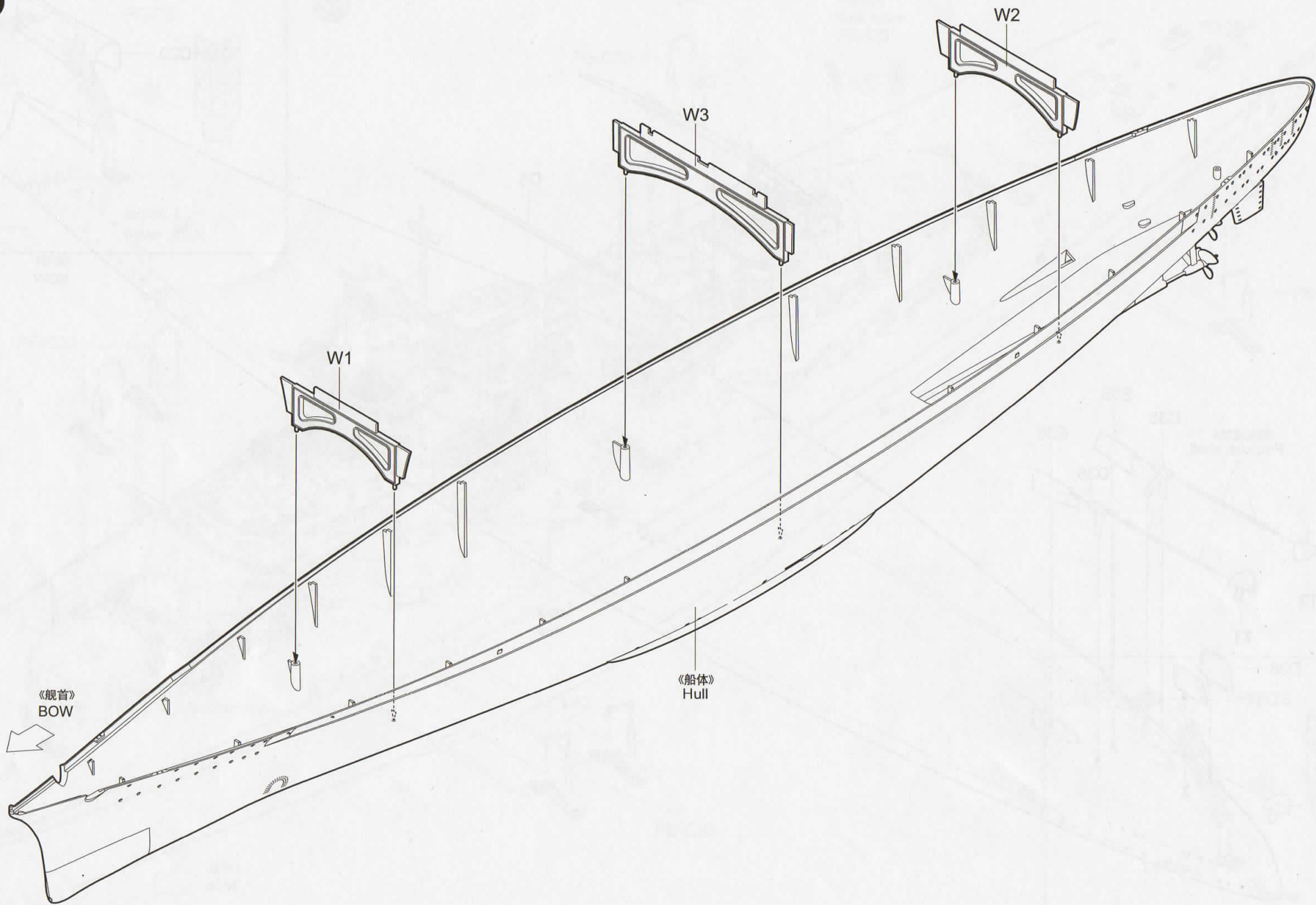
《蚀刻片D》
Photo Etched (D)X4



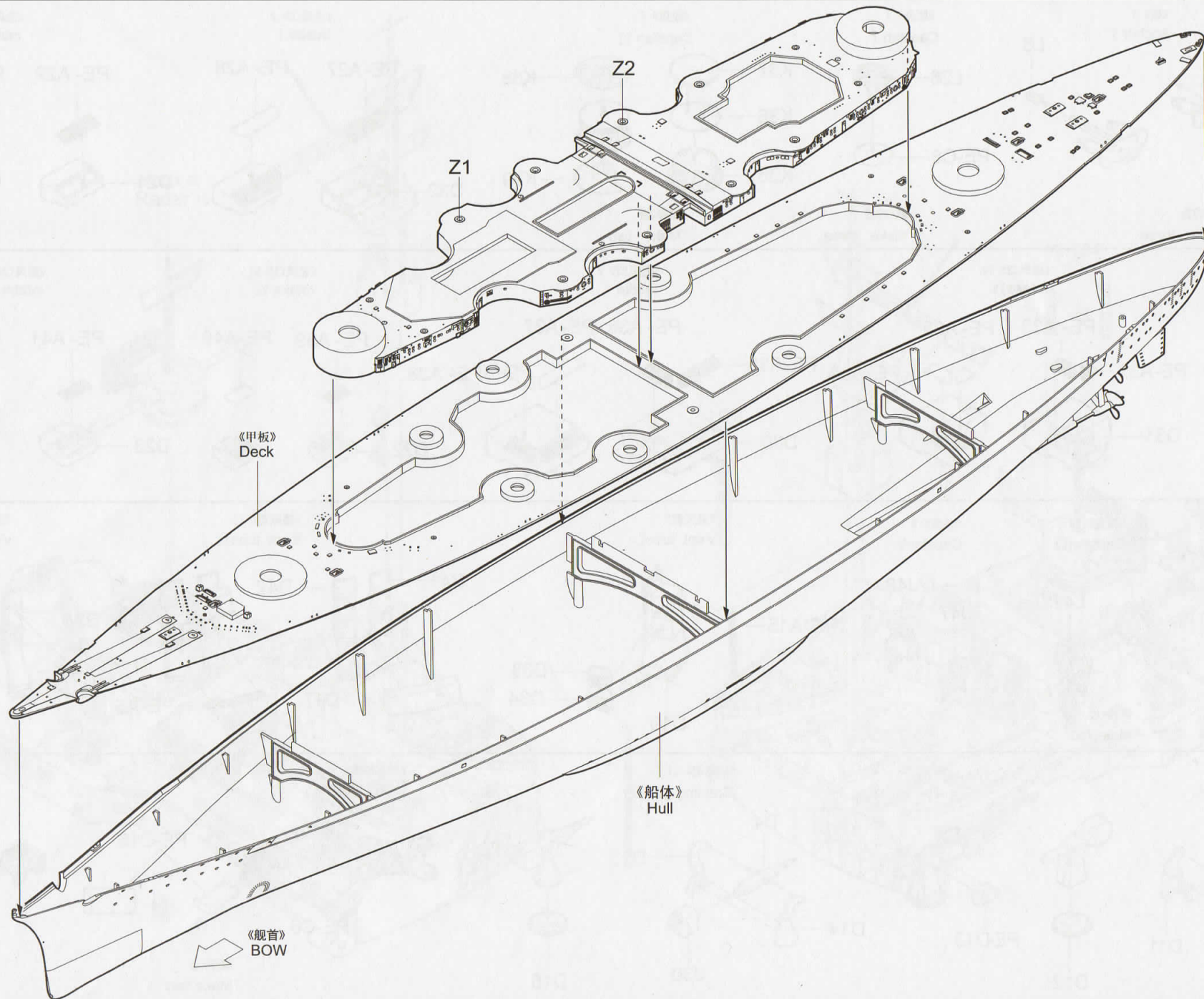
1



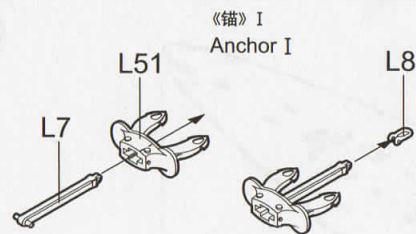
2



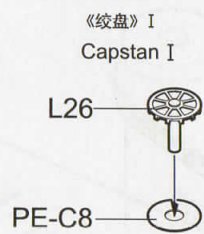
3



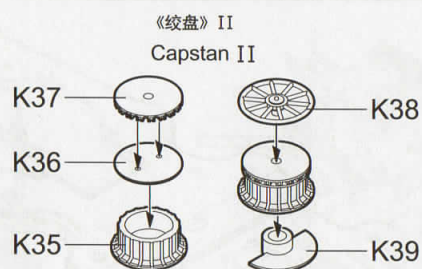
4



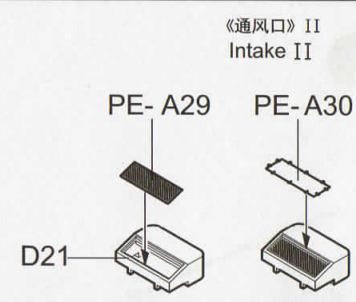
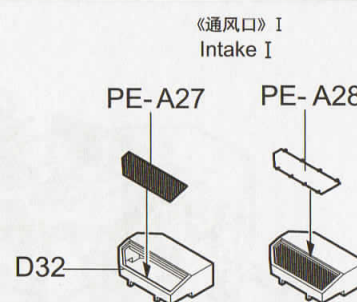
制作3套
Make three



制作3套
Make three



制作2套
Make two



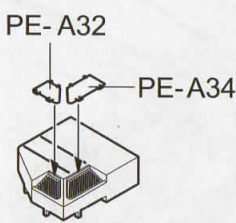
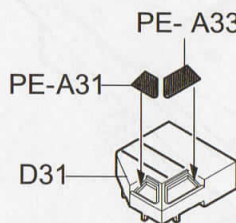
5

《通风口》 III
Intake III

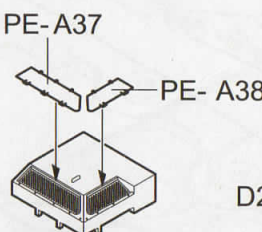
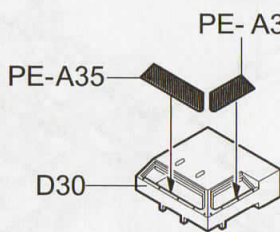


制作18套
Make eighteen

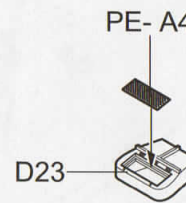
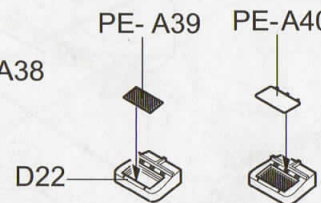
《通风口》 IV
Intake IV



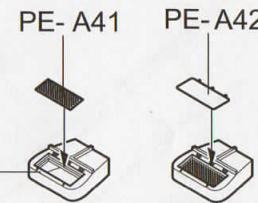
《通风口》 V
Intake V



《通风口》 VI
Intake VI

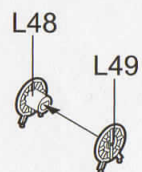


《通风口》 VII
Intake VII



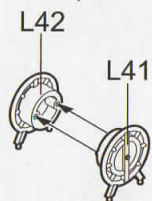
6

《绞盘》 III
Capstan III



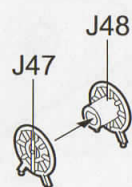
制作5套
Make five

《绞盘》 IV
Capstan IV

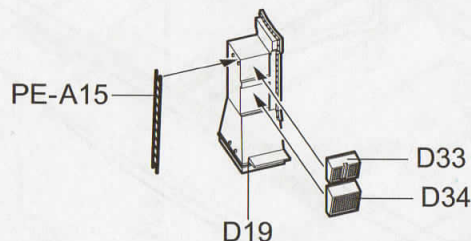


制作4套
Make four

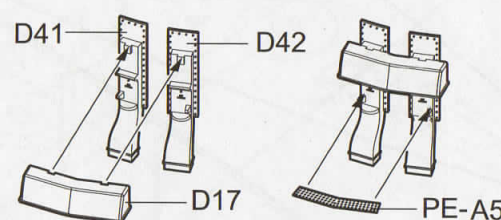
《绞盘》 V
Capstan V



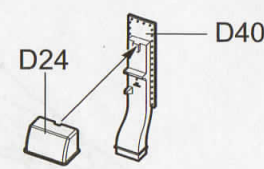
《通风管》 I
Vent tube I



《通风管》 II
Vent tube II

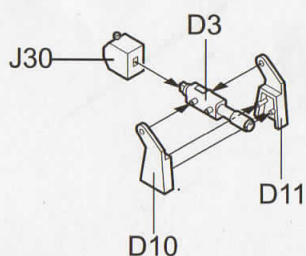


《通风管》 III
Vent tube III

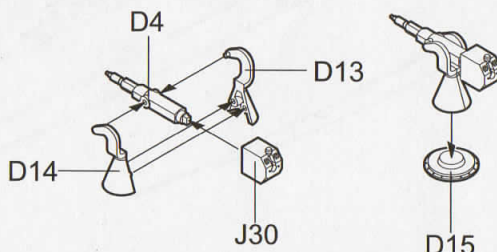


7

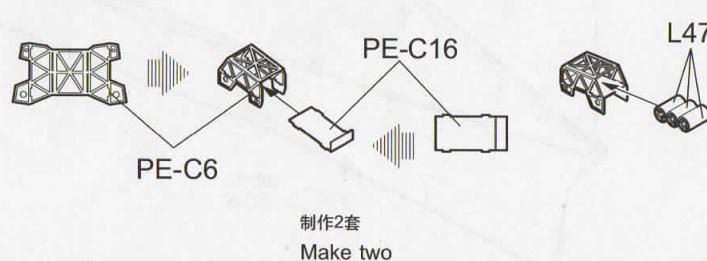
《训练炮》 I
Training gun I



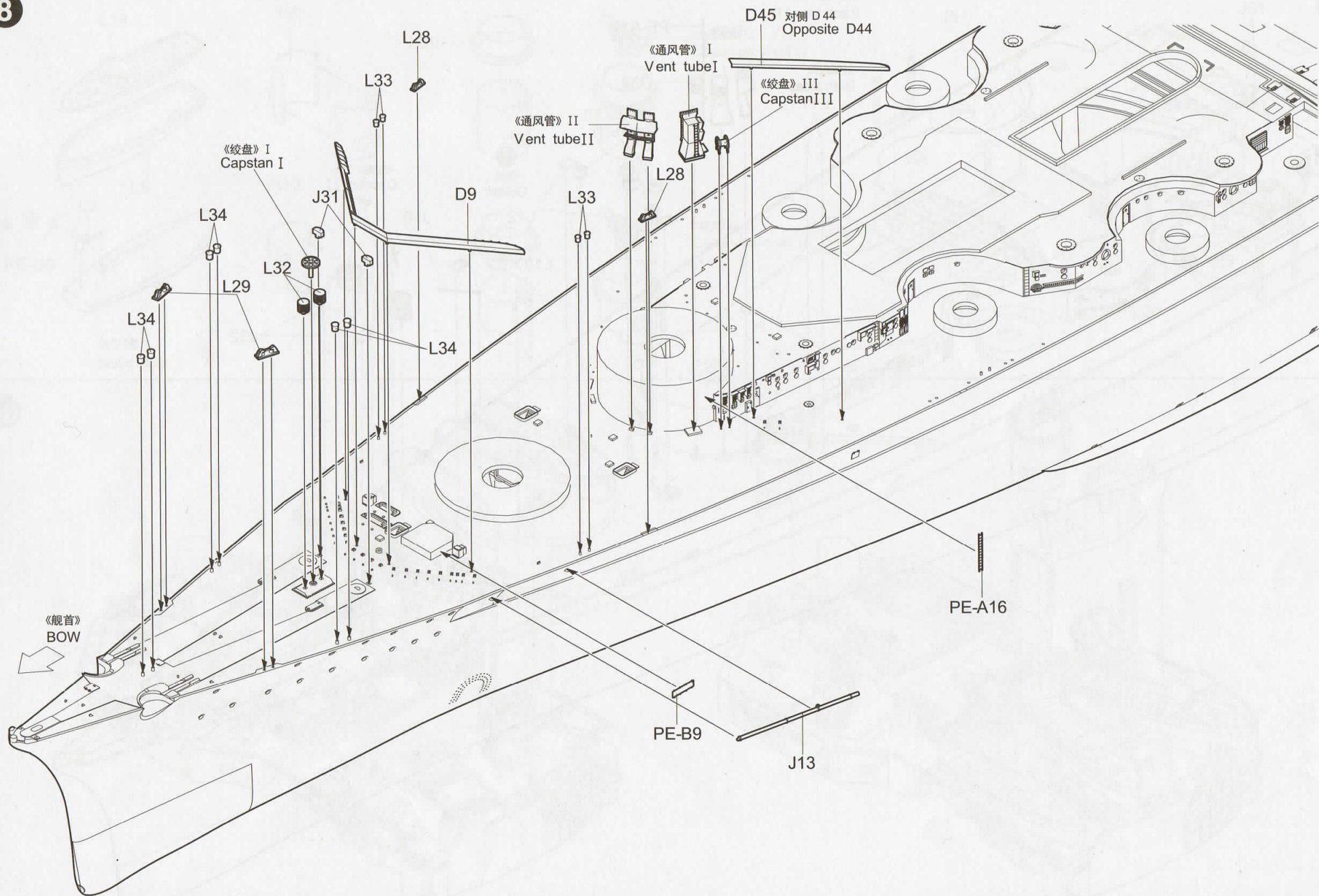
《训练炮》 II
Training gun II



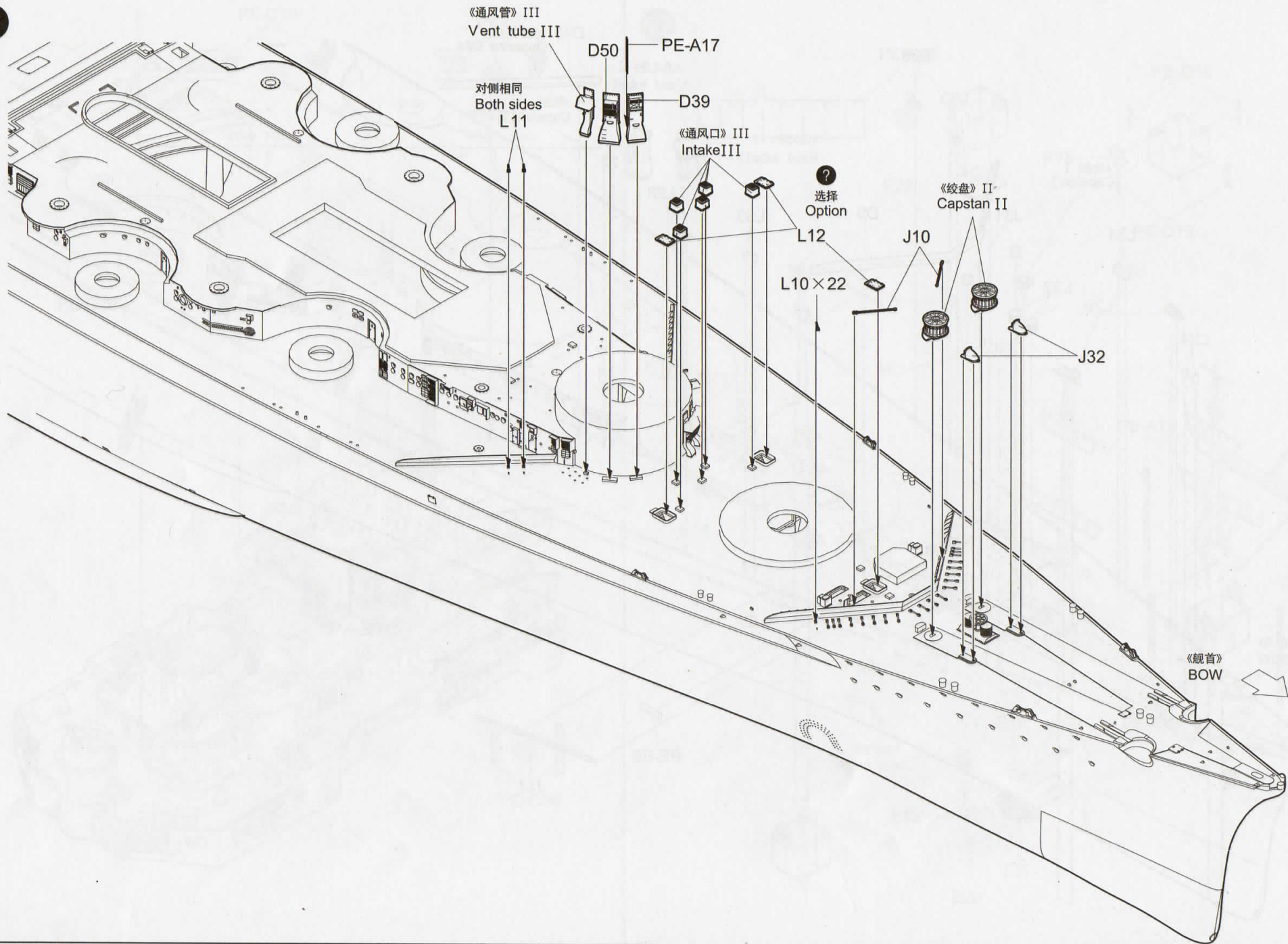
《深水炸弹》
Depth charge



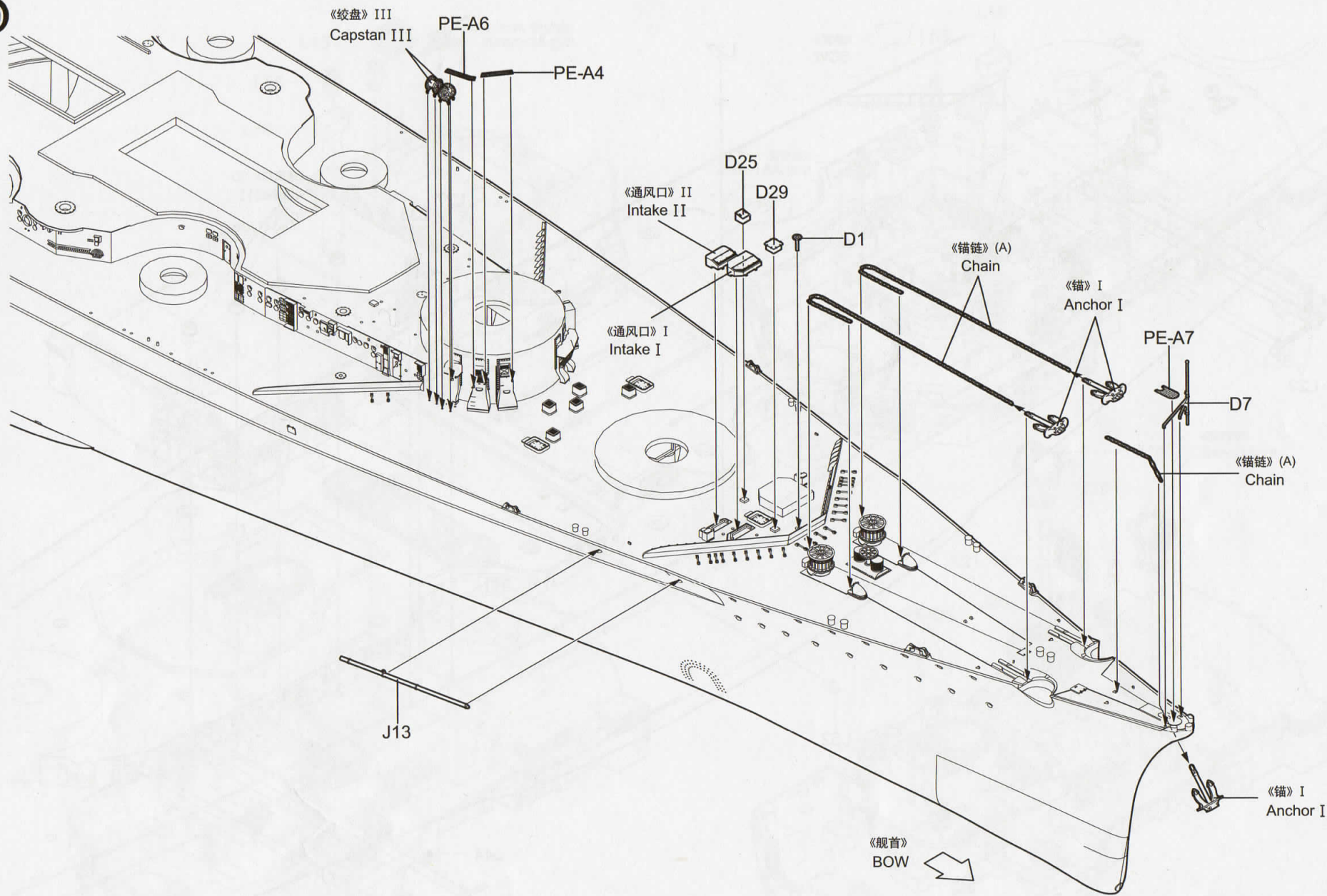
制作2套
Make two



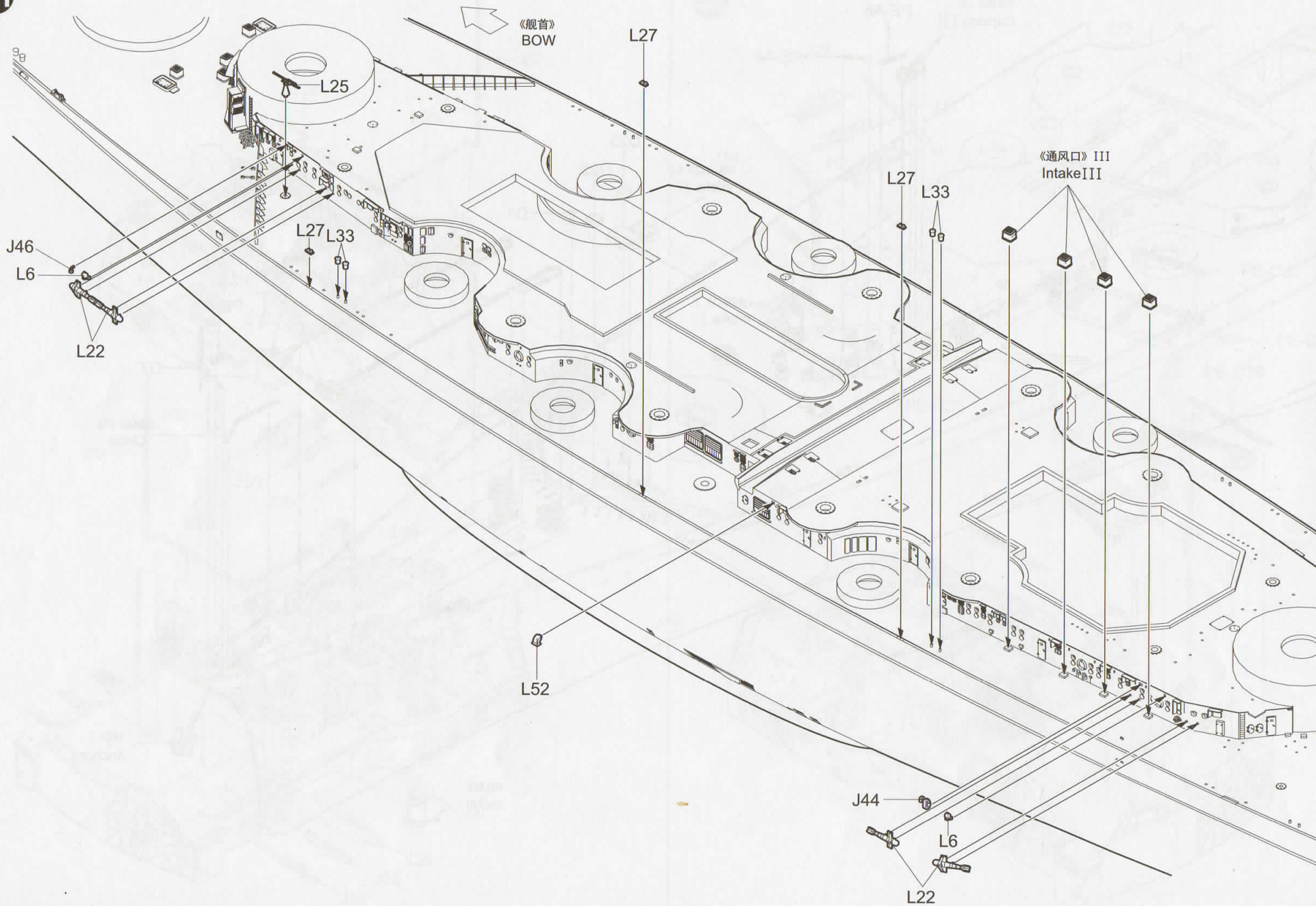
9

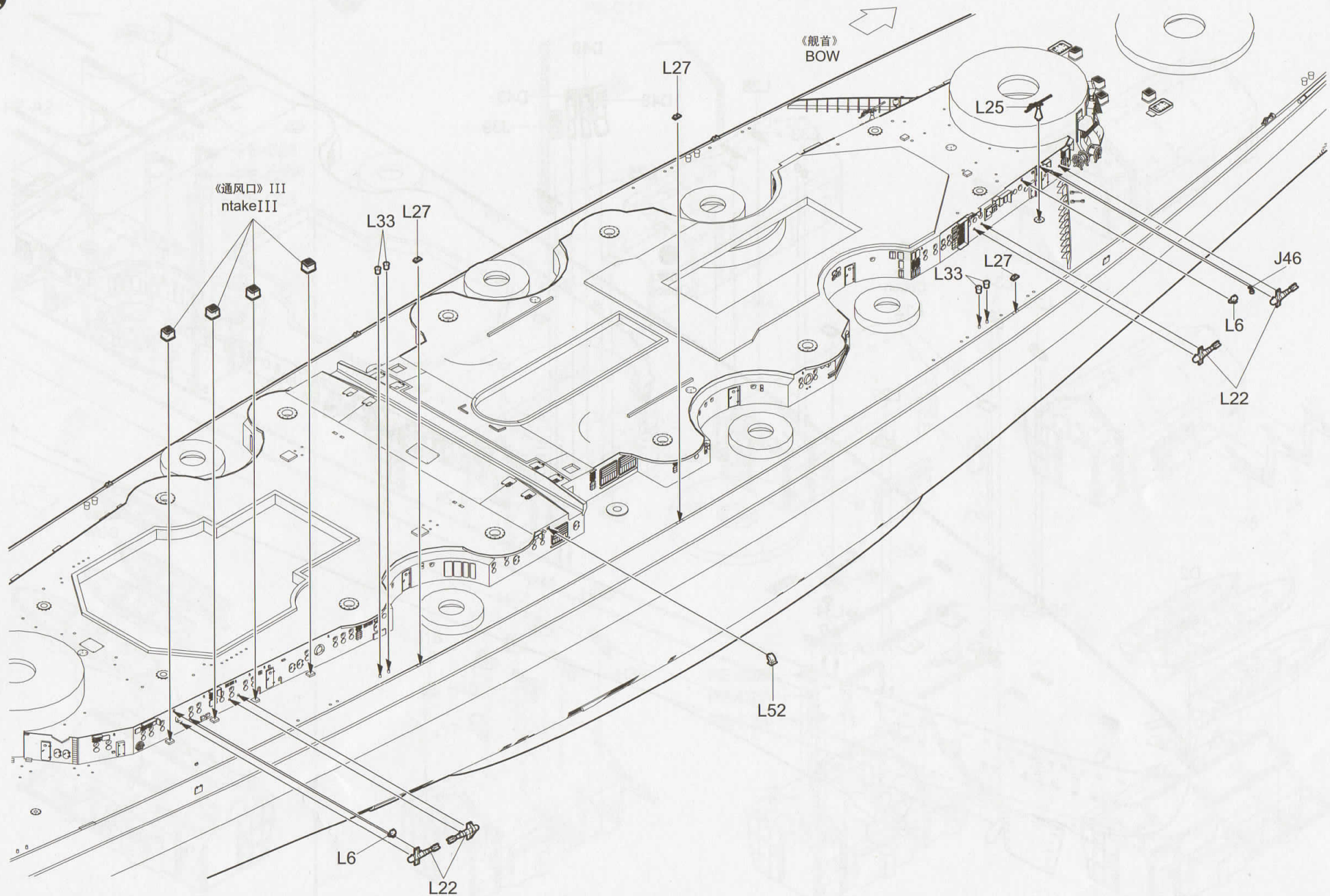


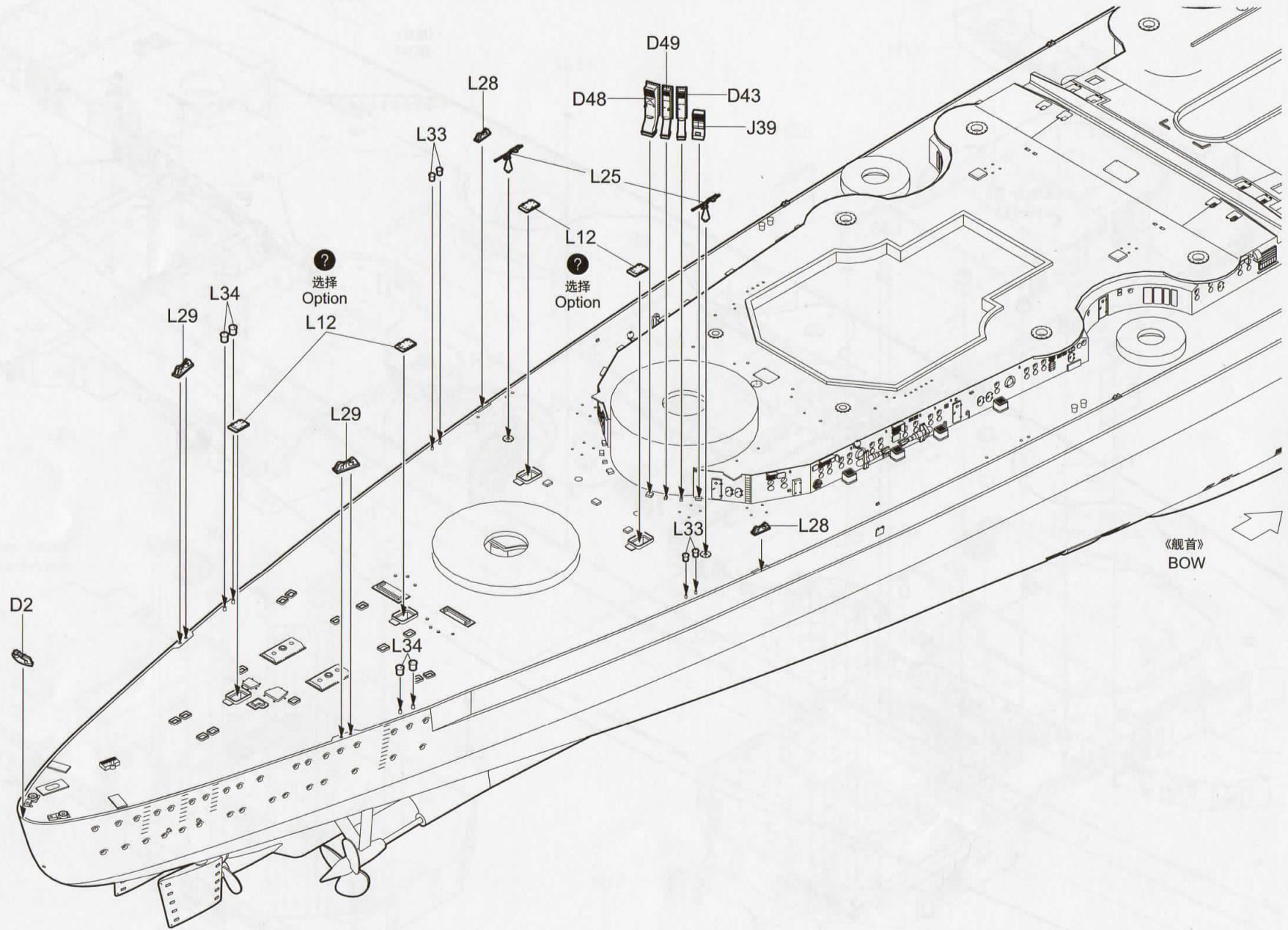
10

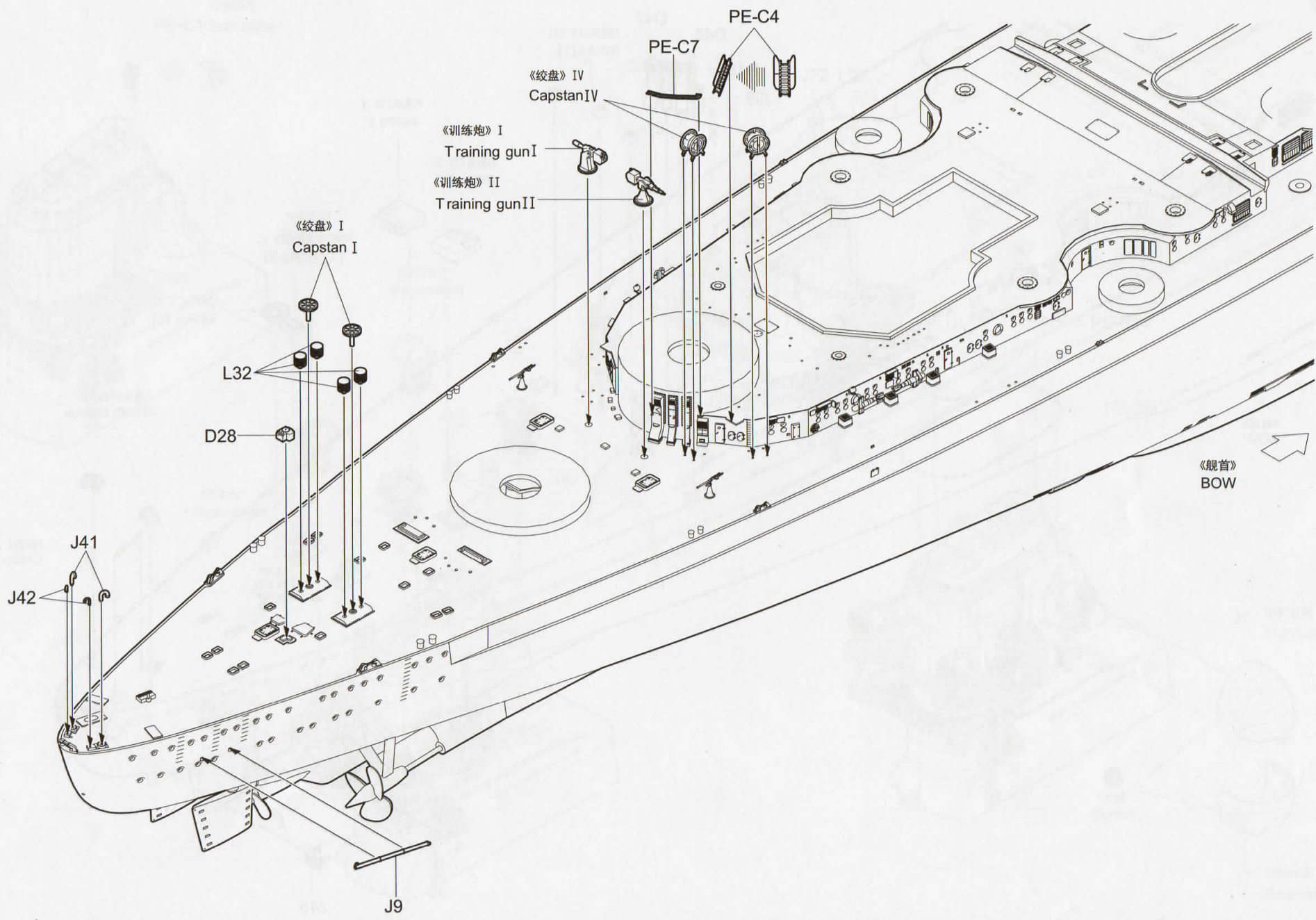


11

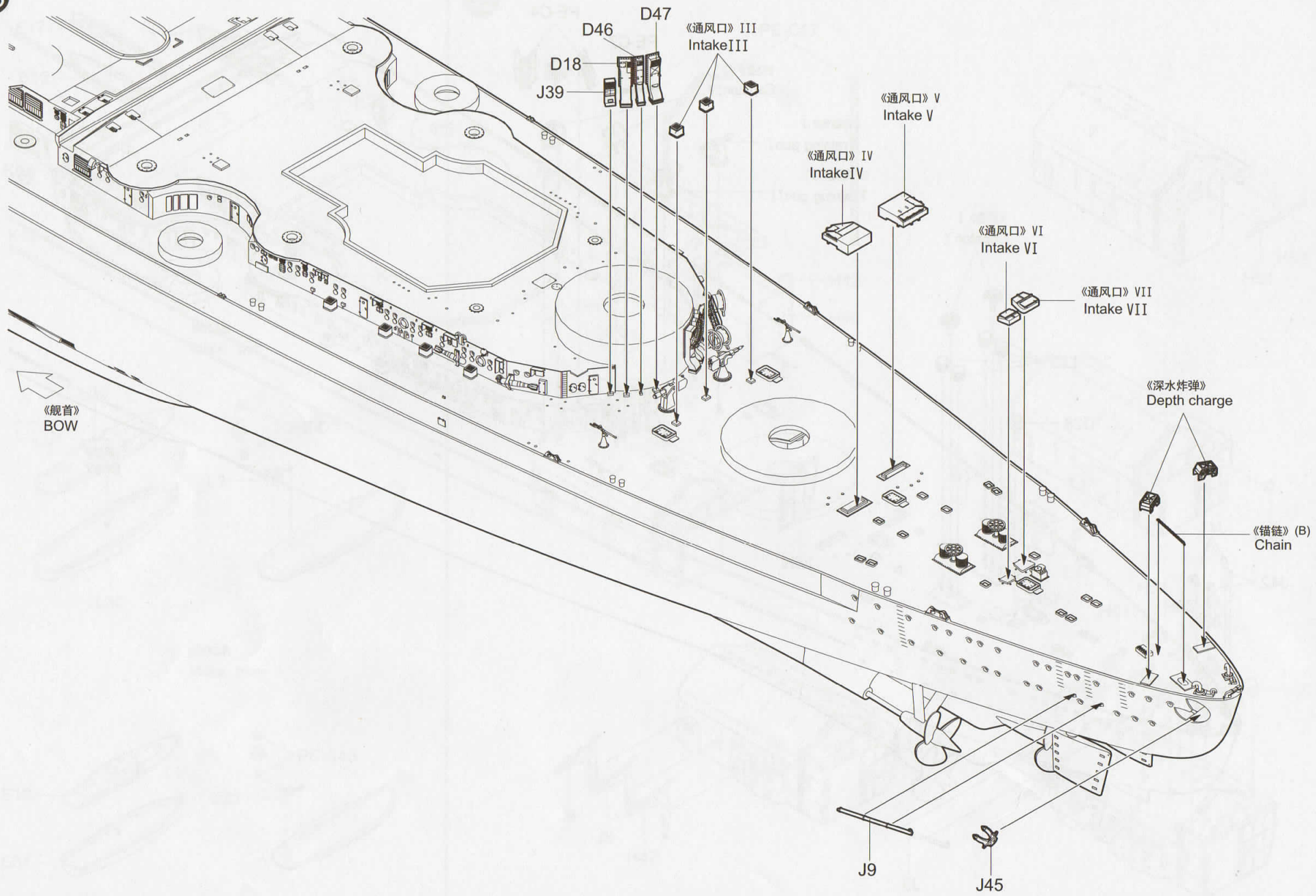


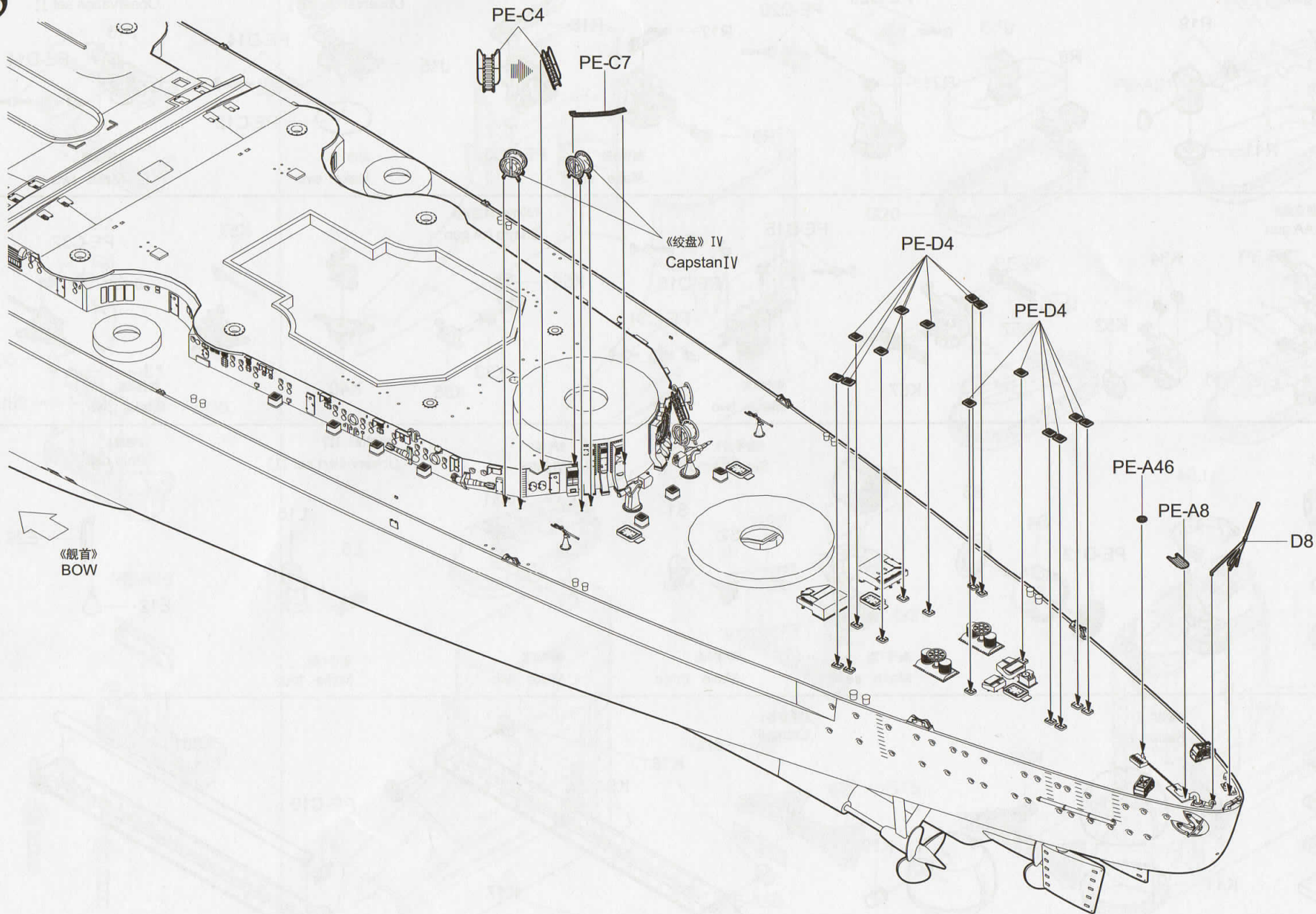






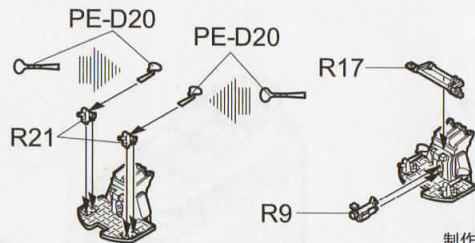
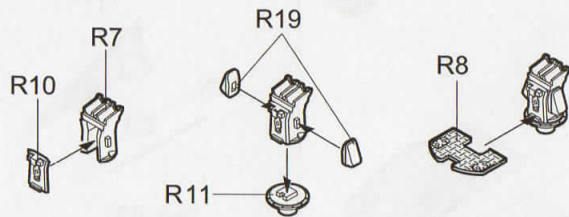
15



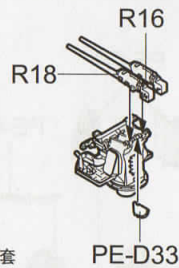


17

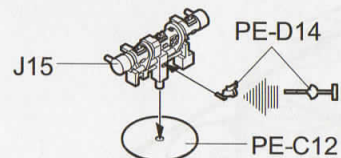
《37mm 防空炮》
37mm AA gun



制作8套
Make eight

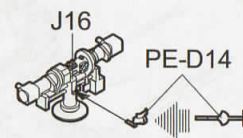


《观测仪》I
Observation set I



制作2套
Make two

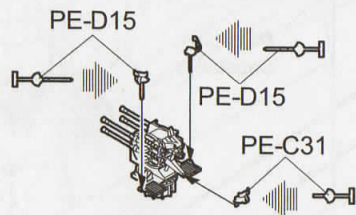
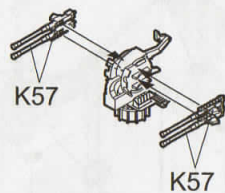
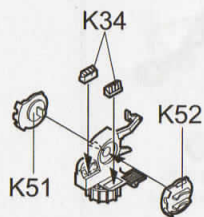
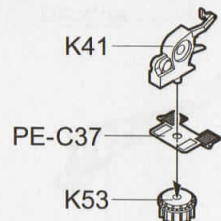
《观测仪》II
Observation set II



制作2套
Make two

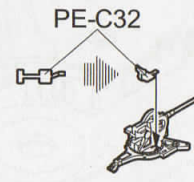
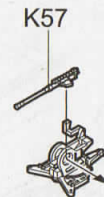
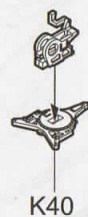
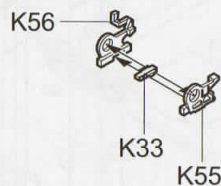
18

《4×20mm 防空炮》
4×20mm AA gun



制作2套
Make two

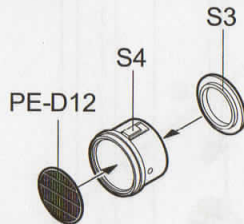
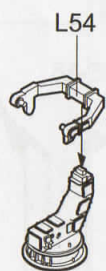
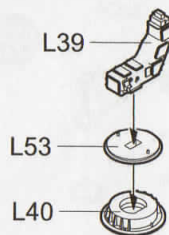
《20mm 防空炮》
20mm AA gun



制作2套
Make two

19

《探照灯》
Searchlight



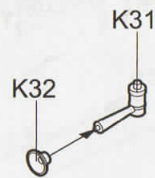
制作7套
Make seven

《信号灯》
Signal lamp



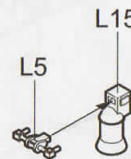
制作3套
Make three

《汽笛》
Whistle



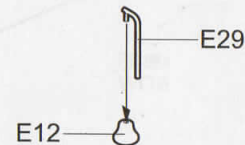
制作2套
Make two

《观测仪》III
Observation set III



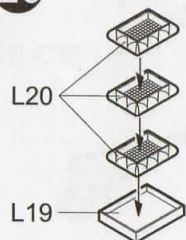
制作4套
Make four

《船铃》
Ship bell

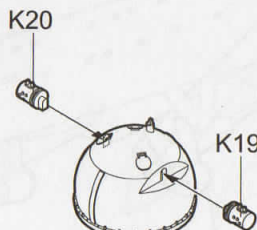
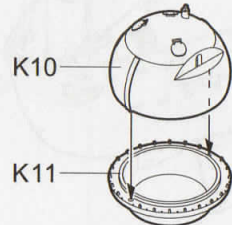


20

《雷达》I
Radar I

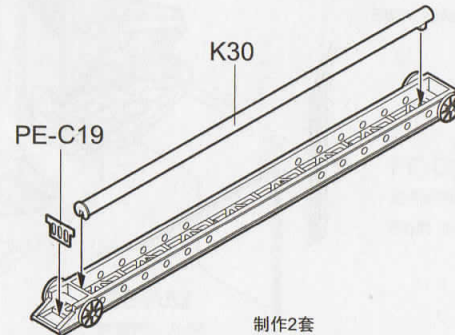
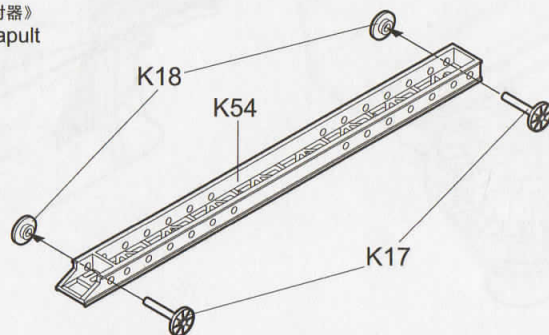


制作3套
Make three



制作2套
Make two

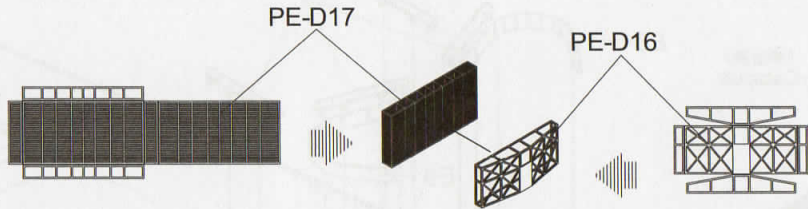
《弹射器》
Catapult



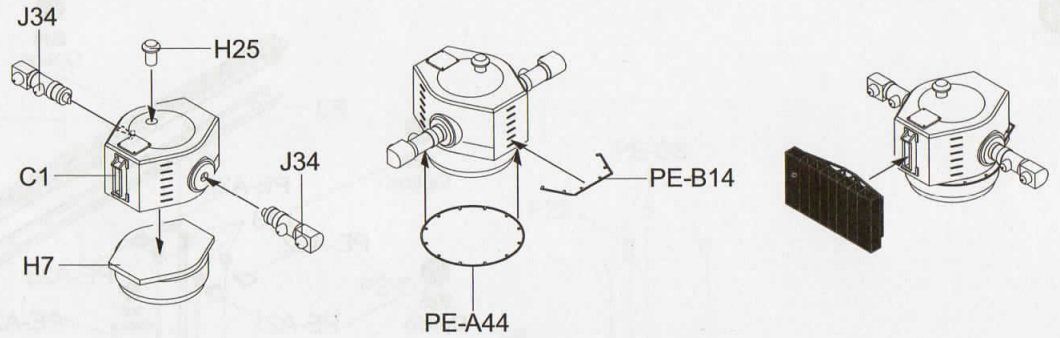
制作2套
Make two

21

《雷达》II
Radar II

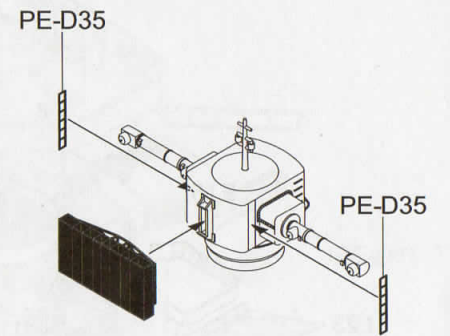
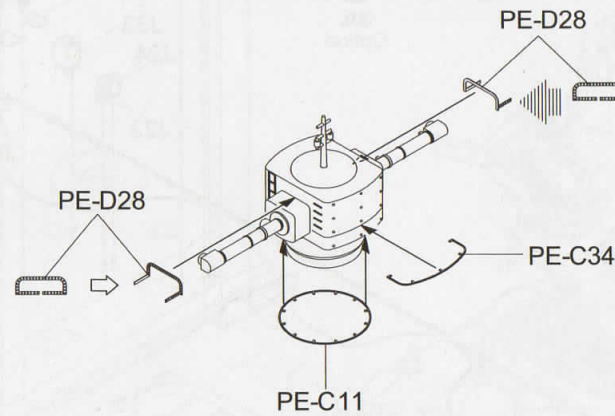
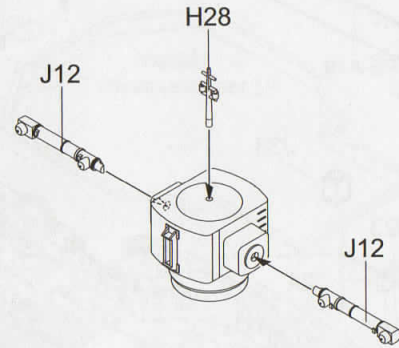
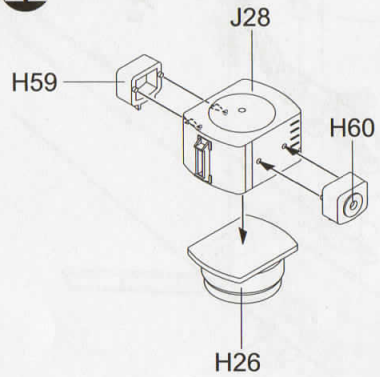


制作3套
Make three



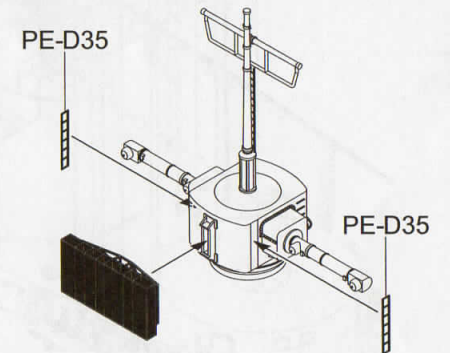
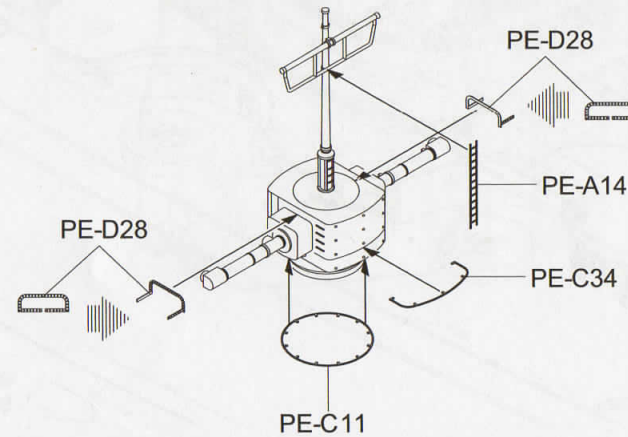
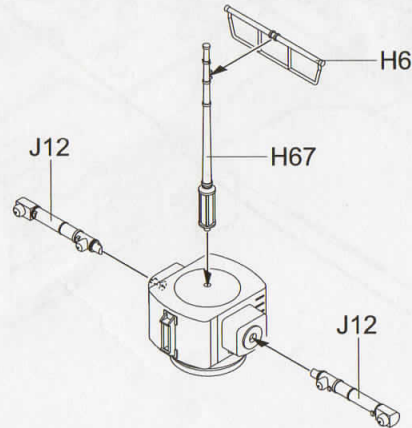
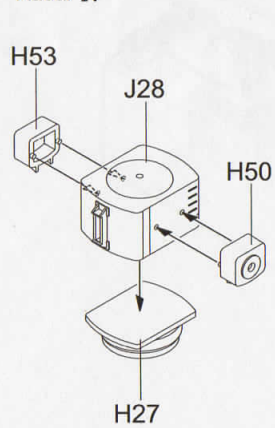
22

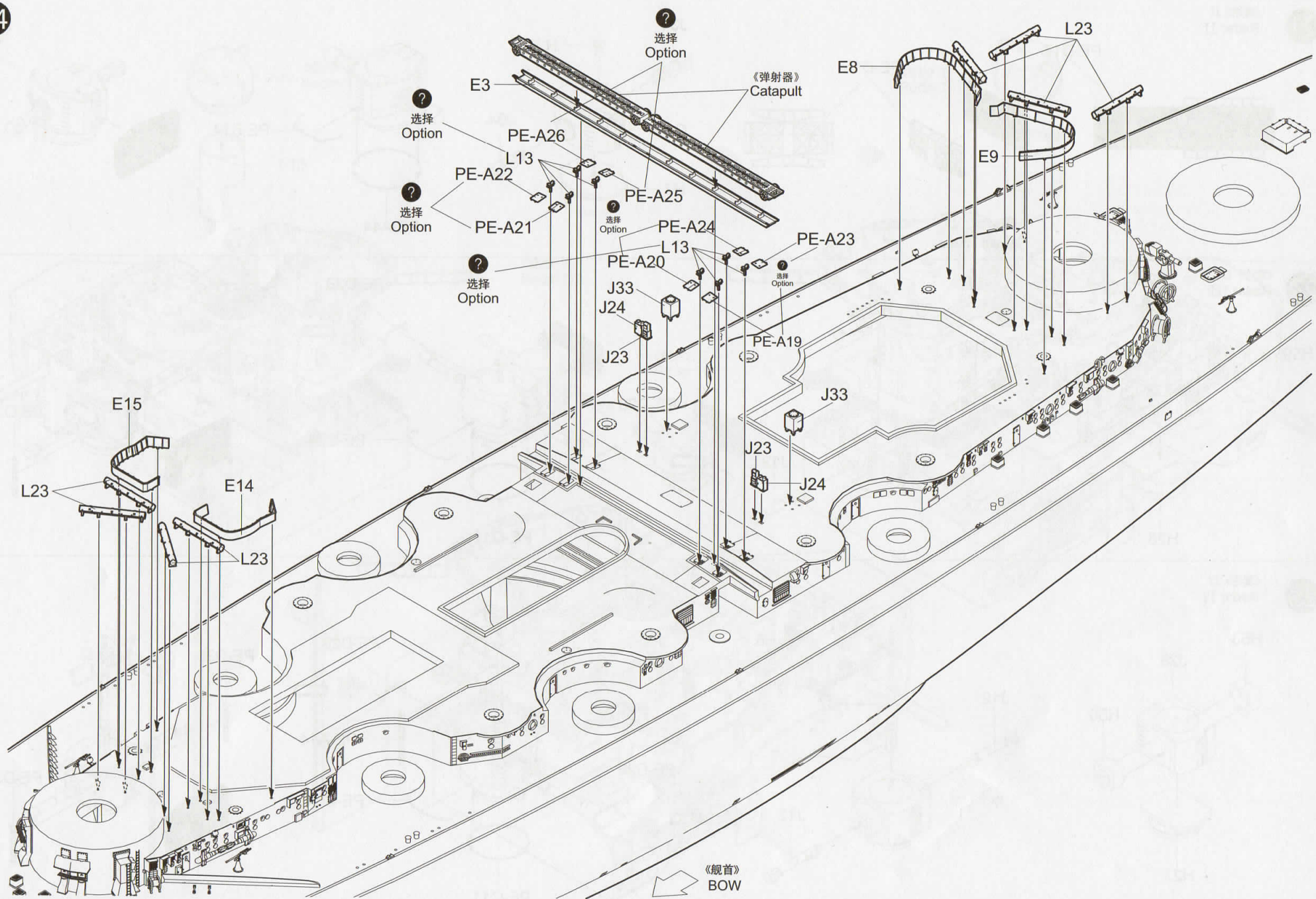
《雷达》III
Radar III

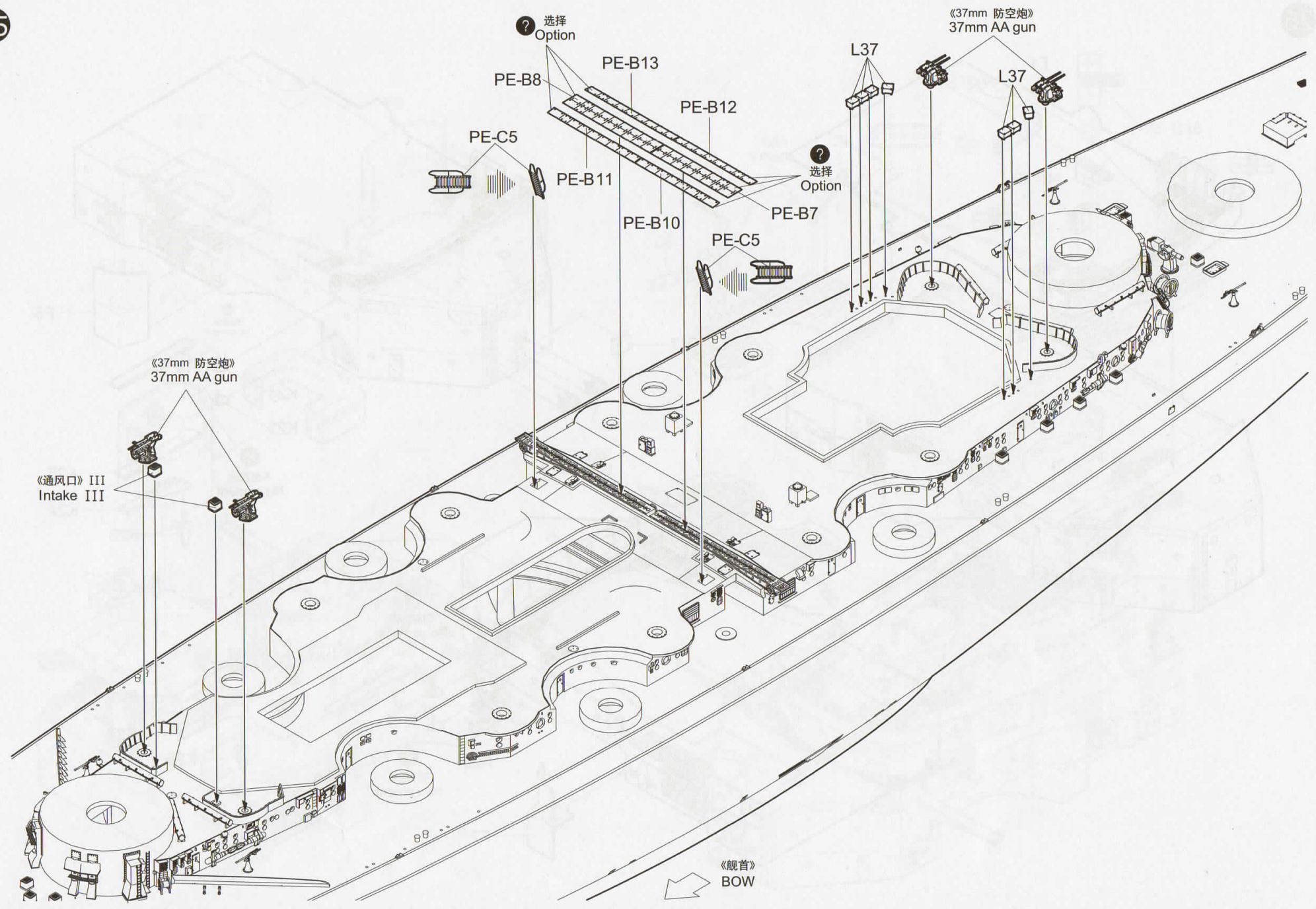


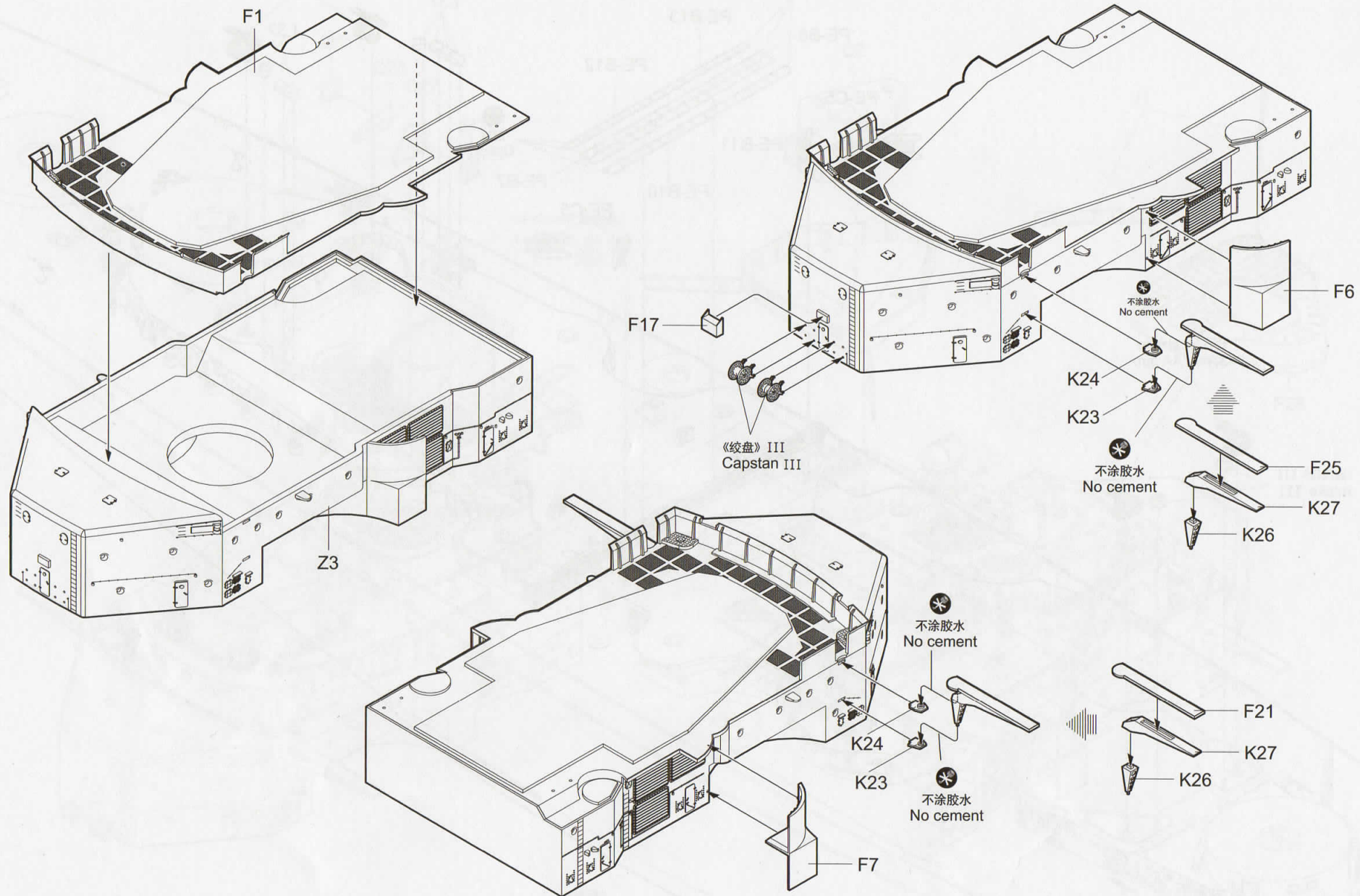
23

《雷达》IV
Radar IV

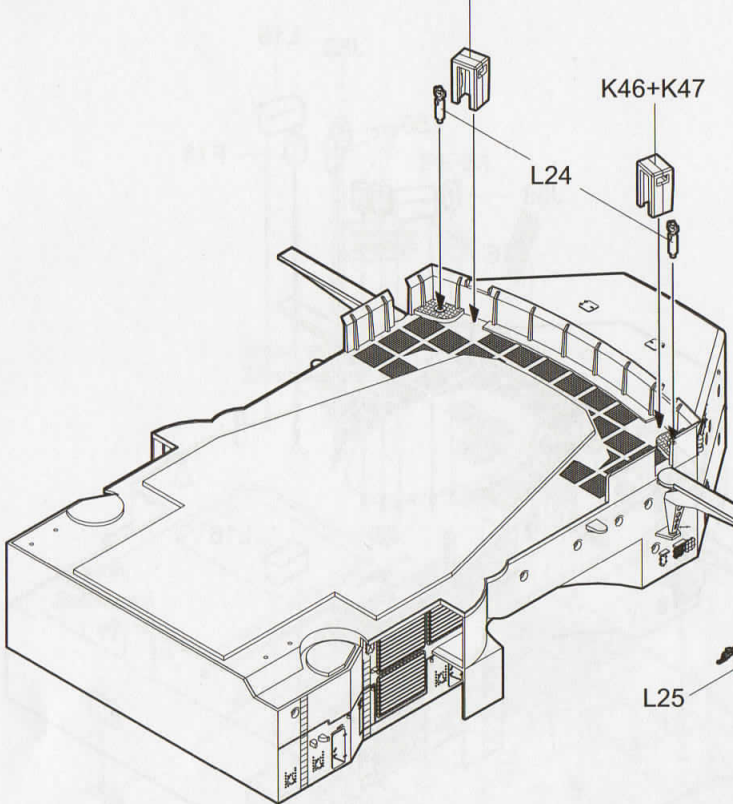






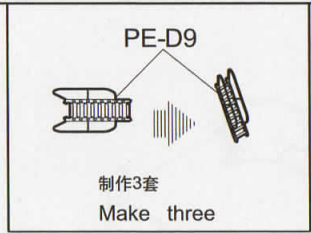


K46+K47

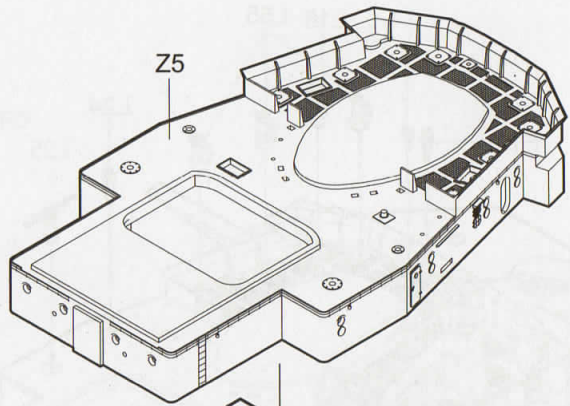


K46+K47

L24



Z5



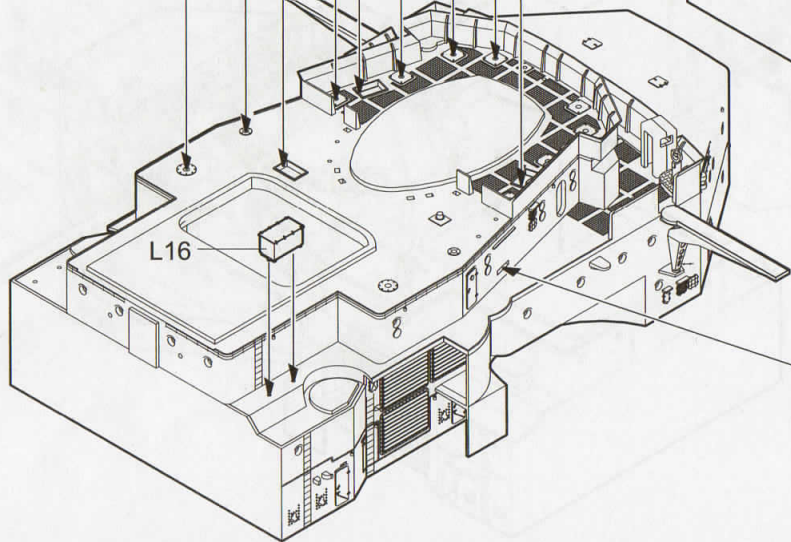
L55

L18

PE-D9

L24

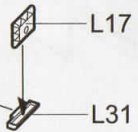
L25

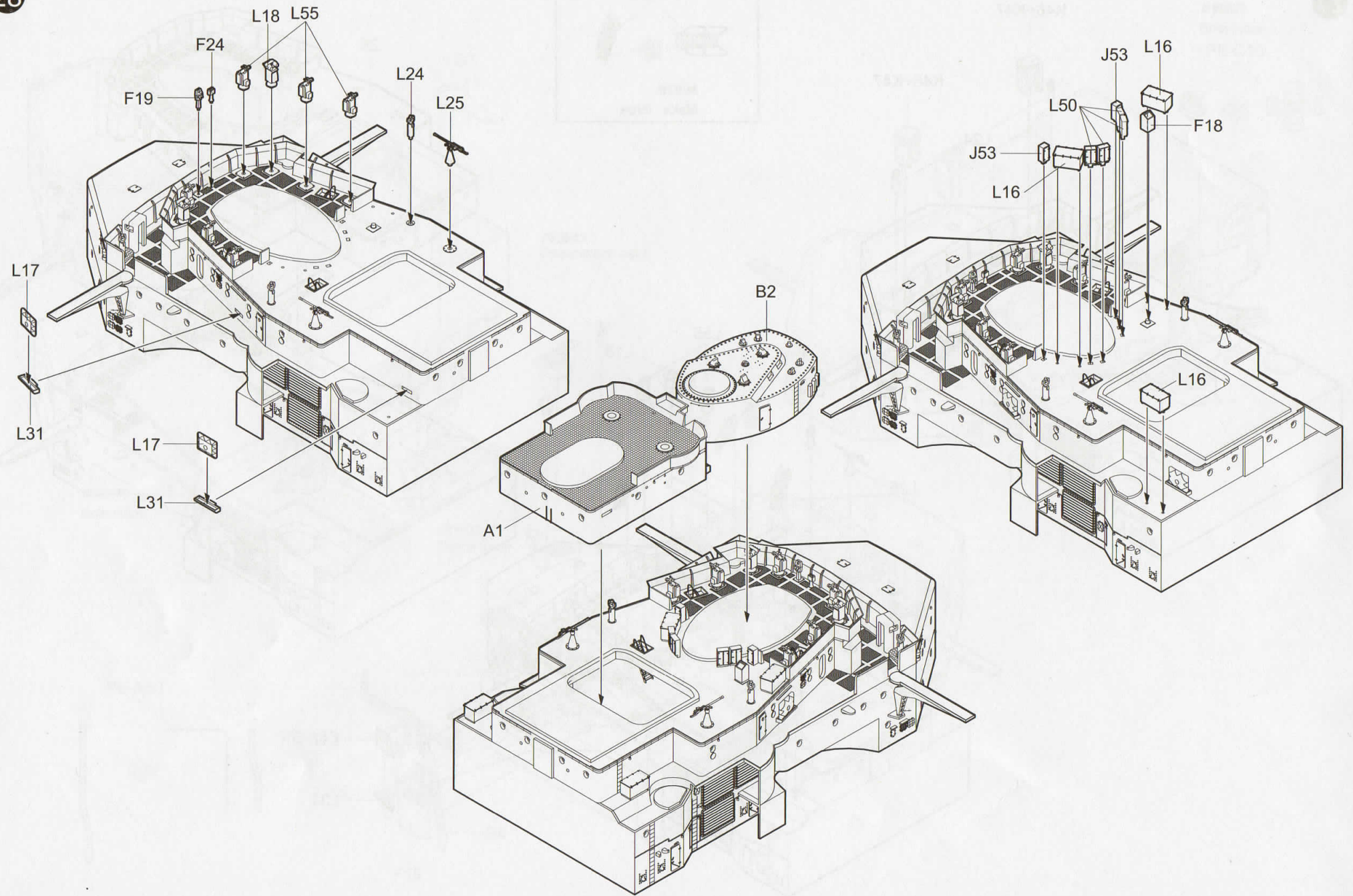


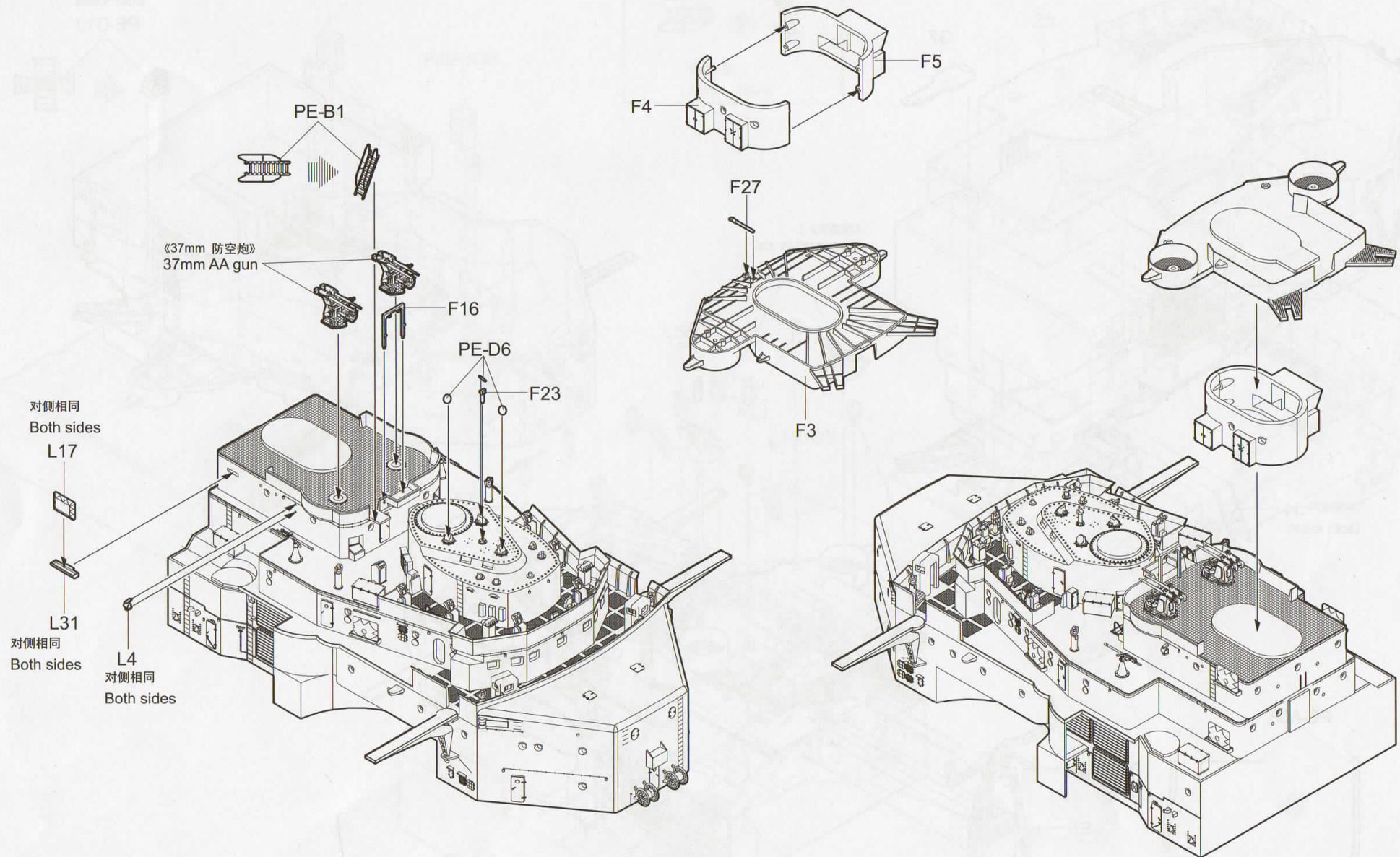
L16

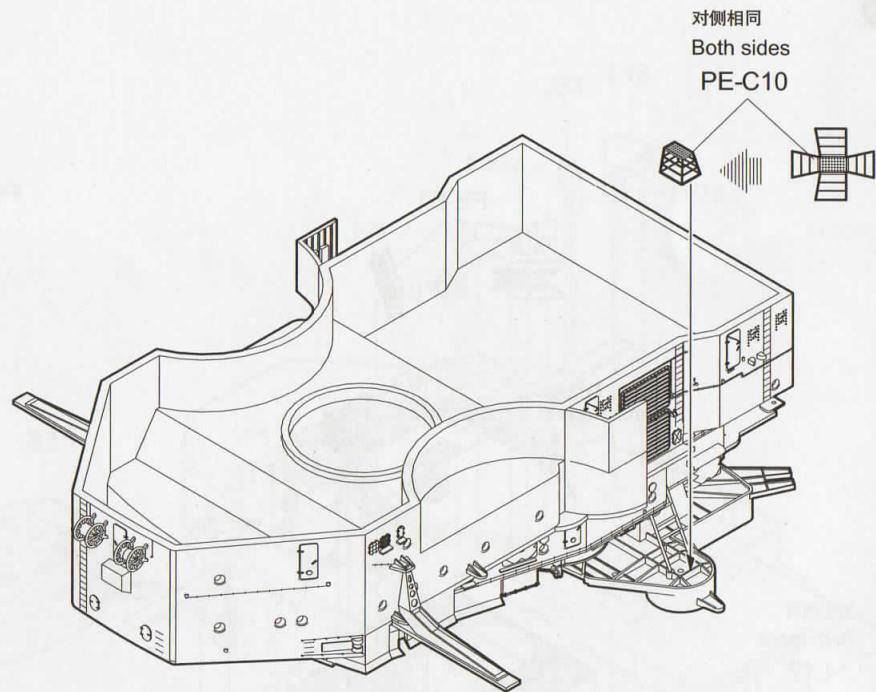
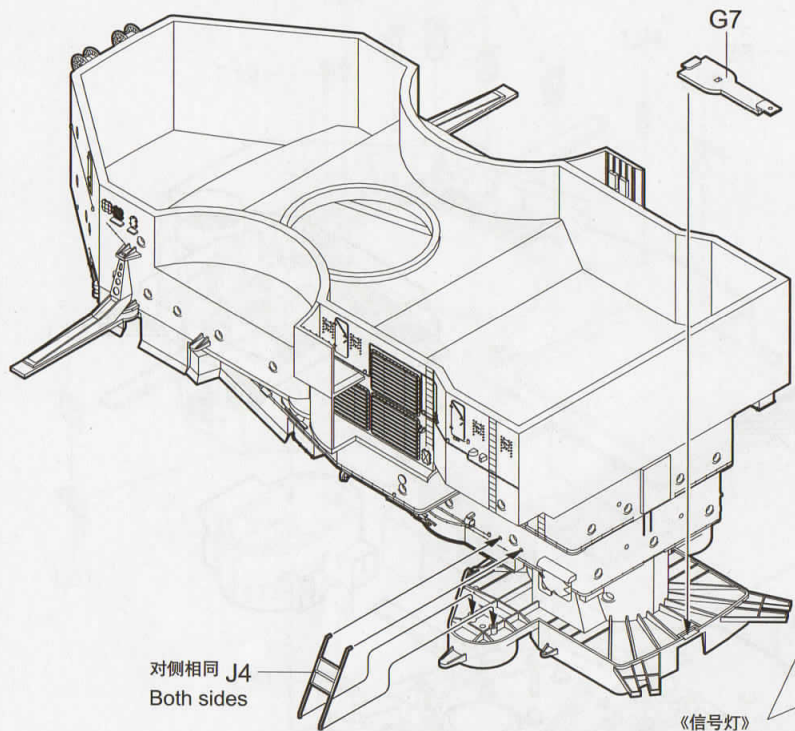
L17

L31



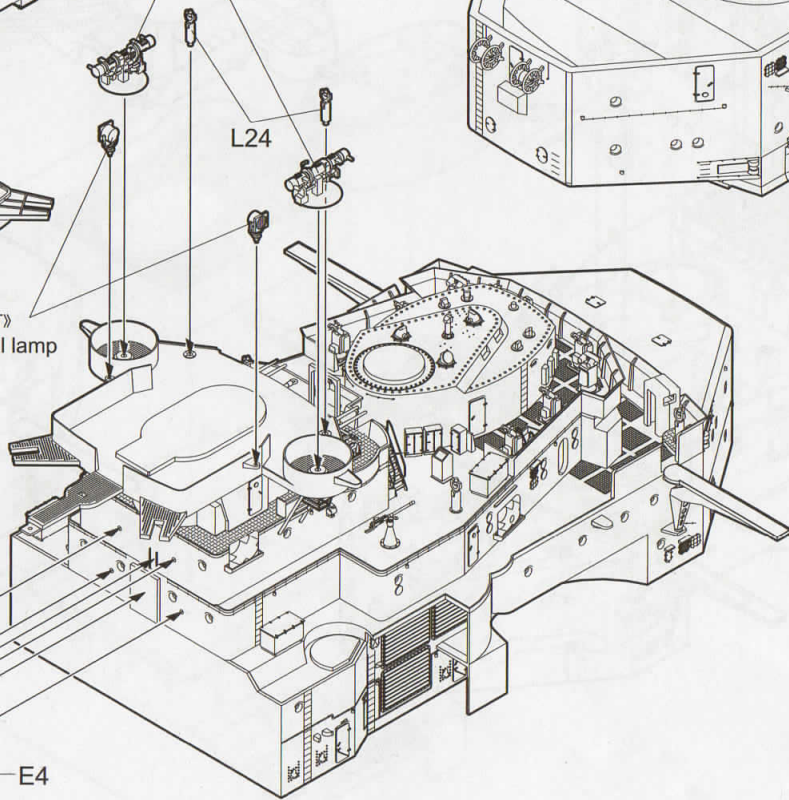






《观测仪》I
Observation set I

《信号灯》
Signal lamp



对侧相同 J4
Both sides

对侧相同
Both sides
PE-C10

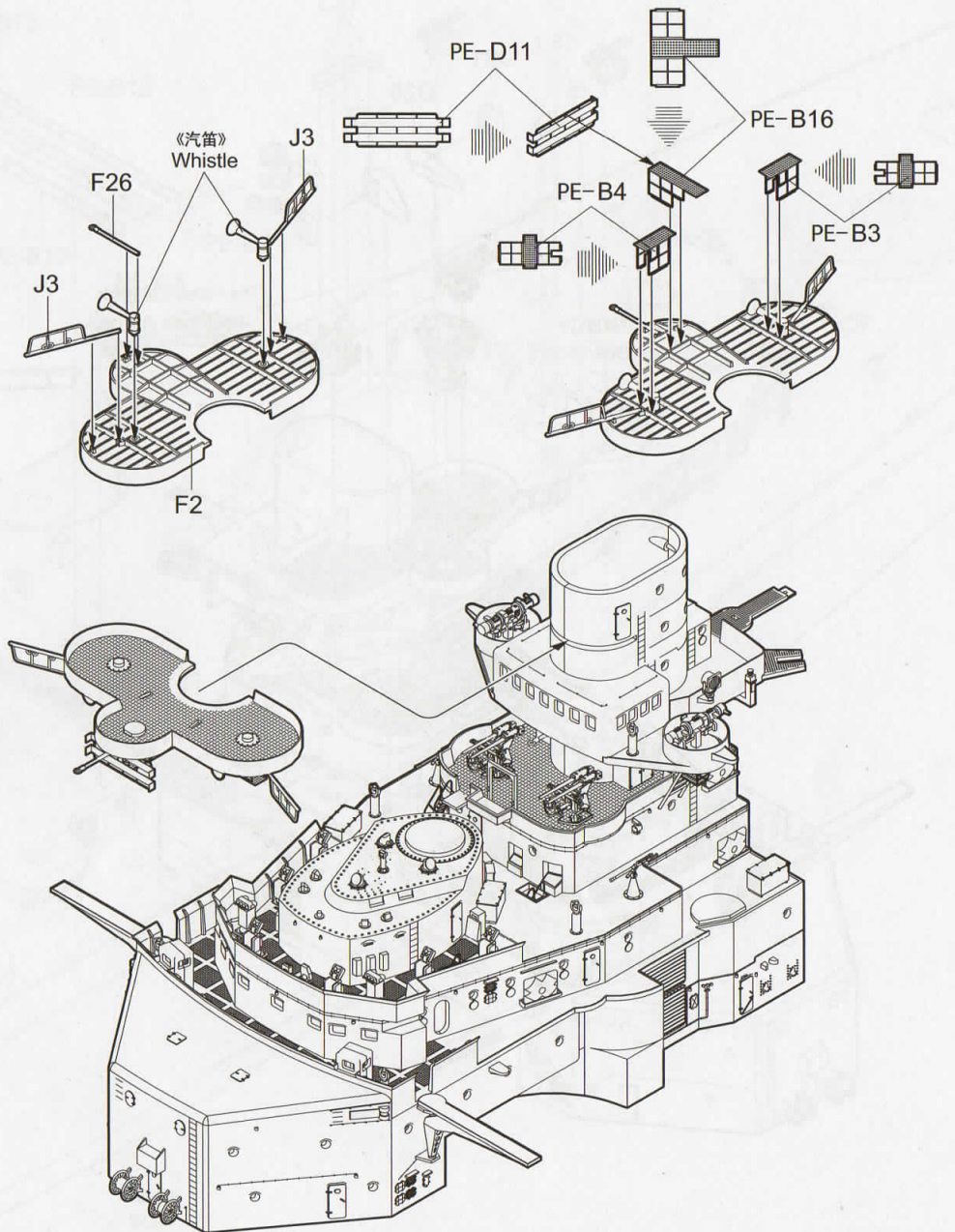
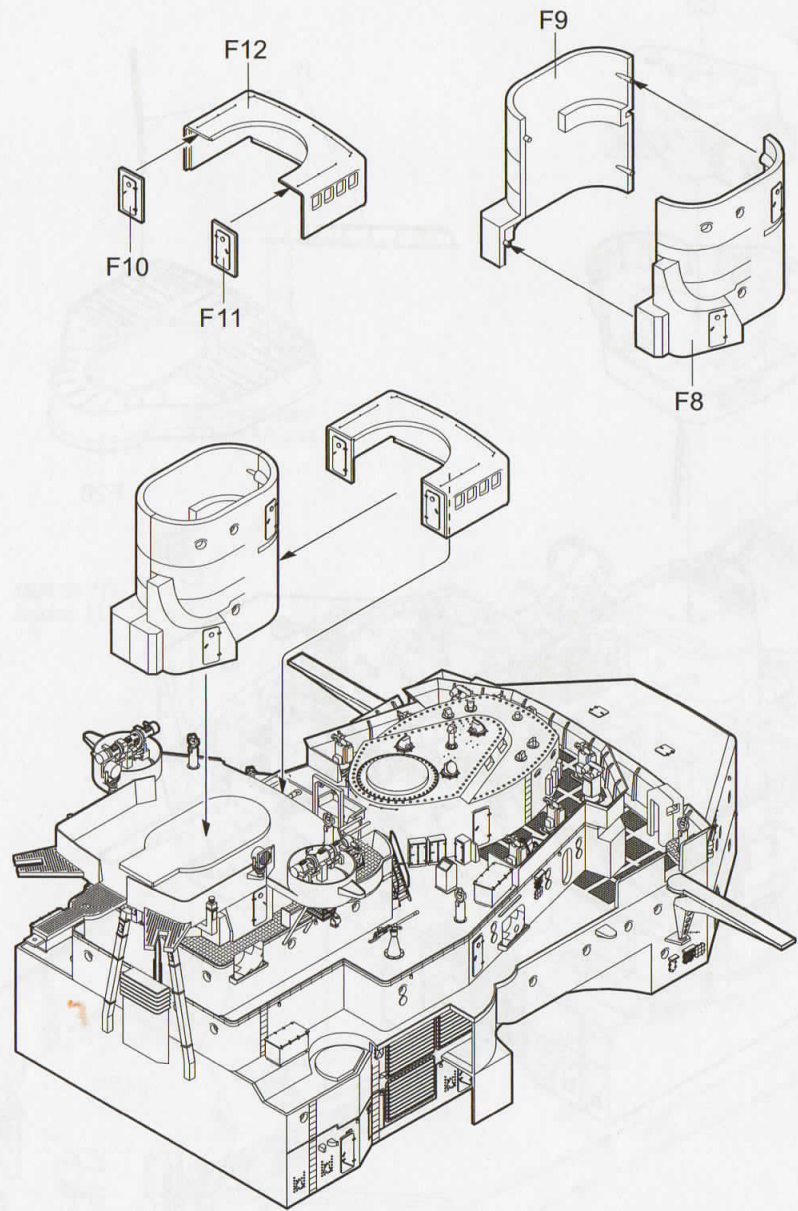
PE-A53

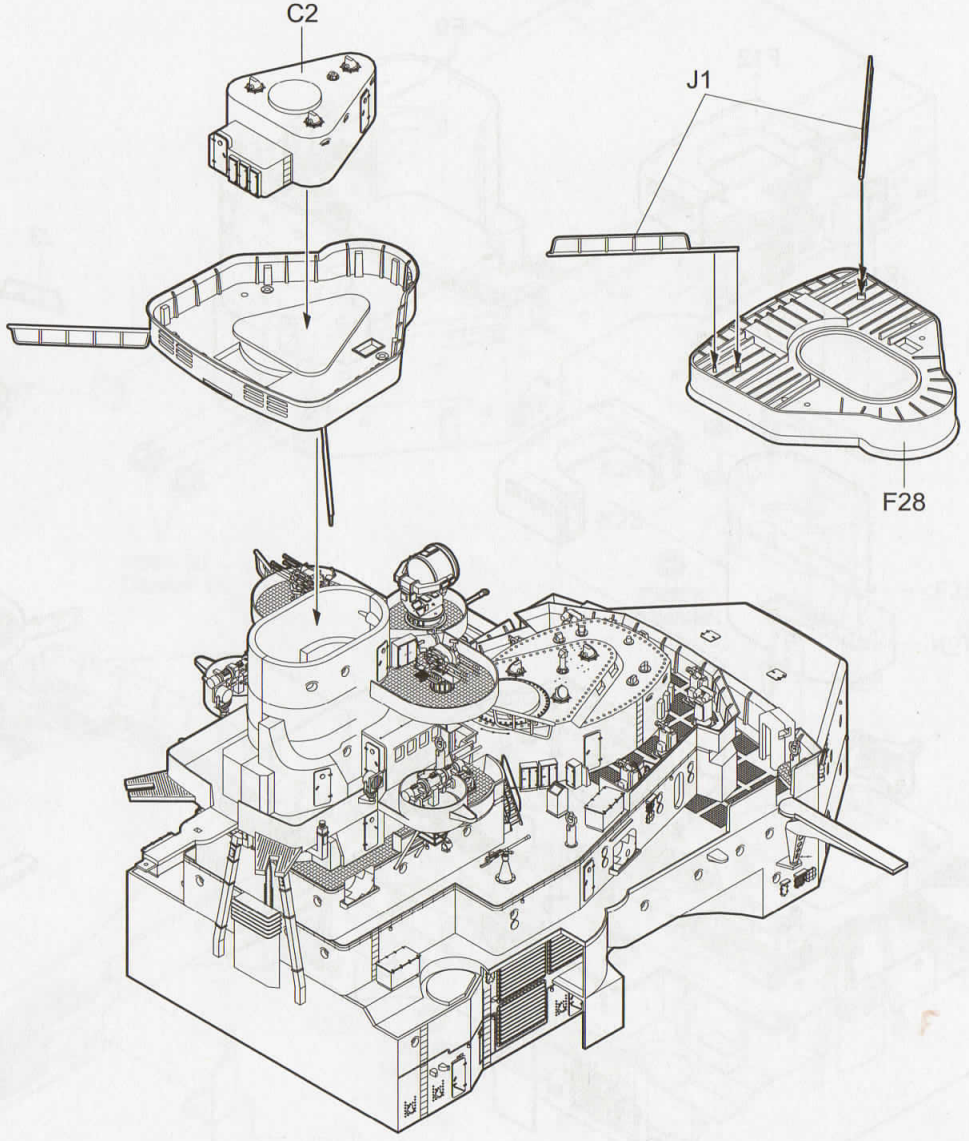
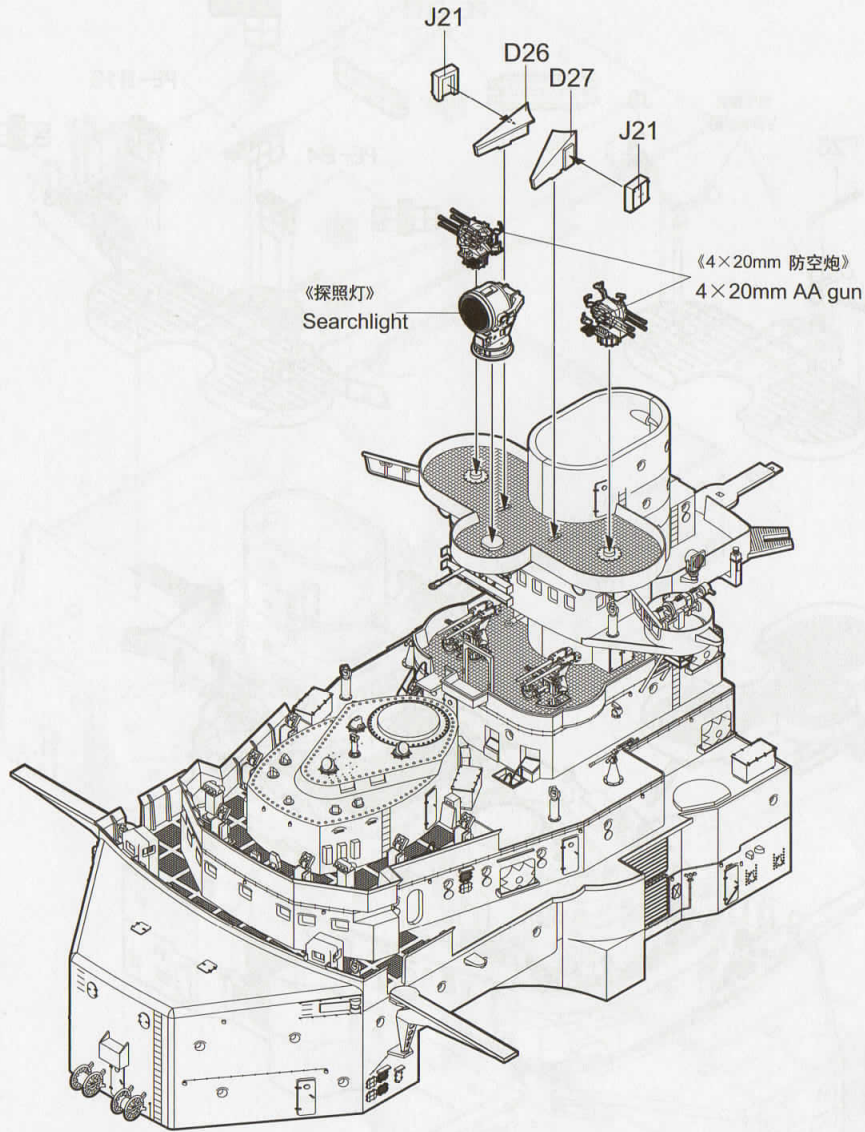
PE-A53

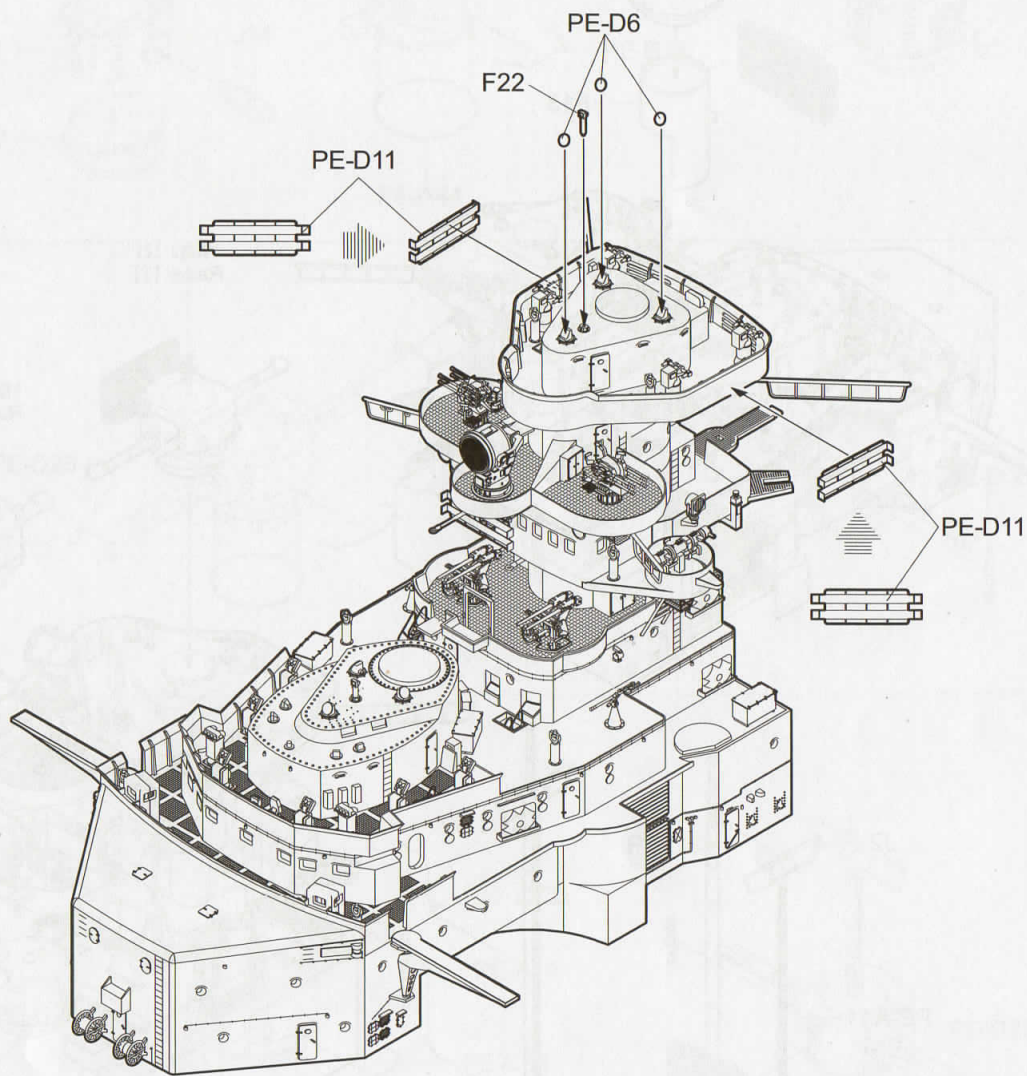
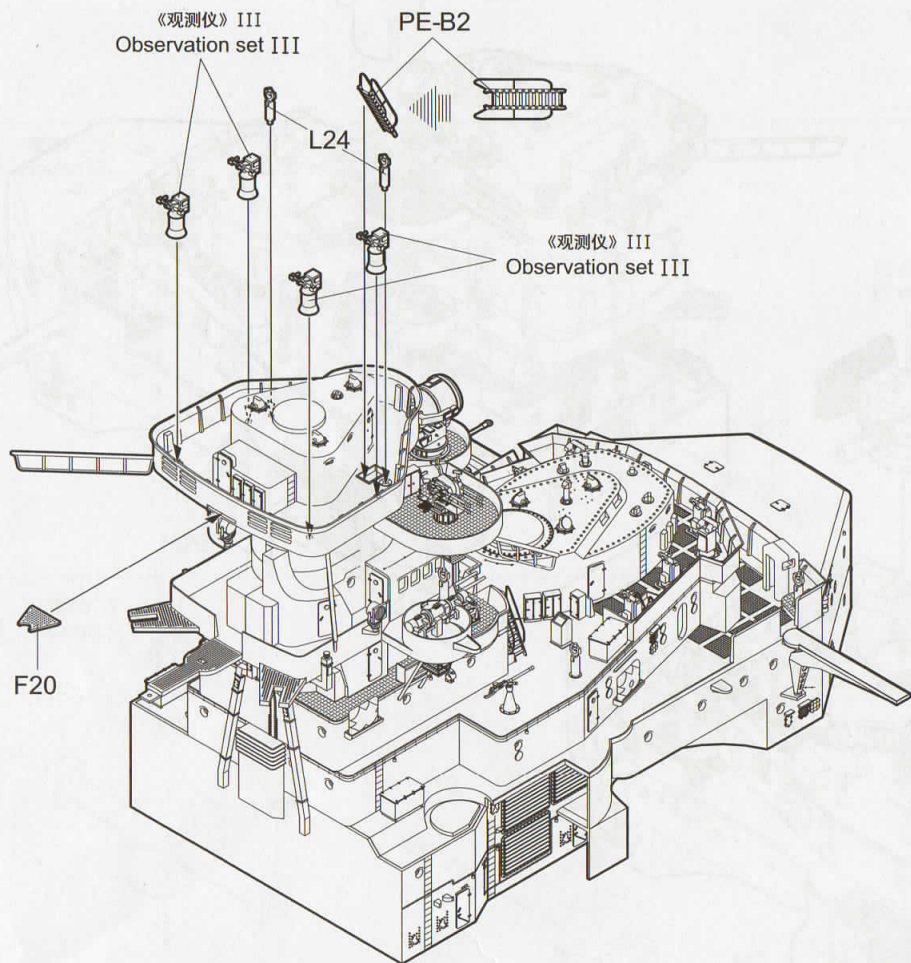
E5

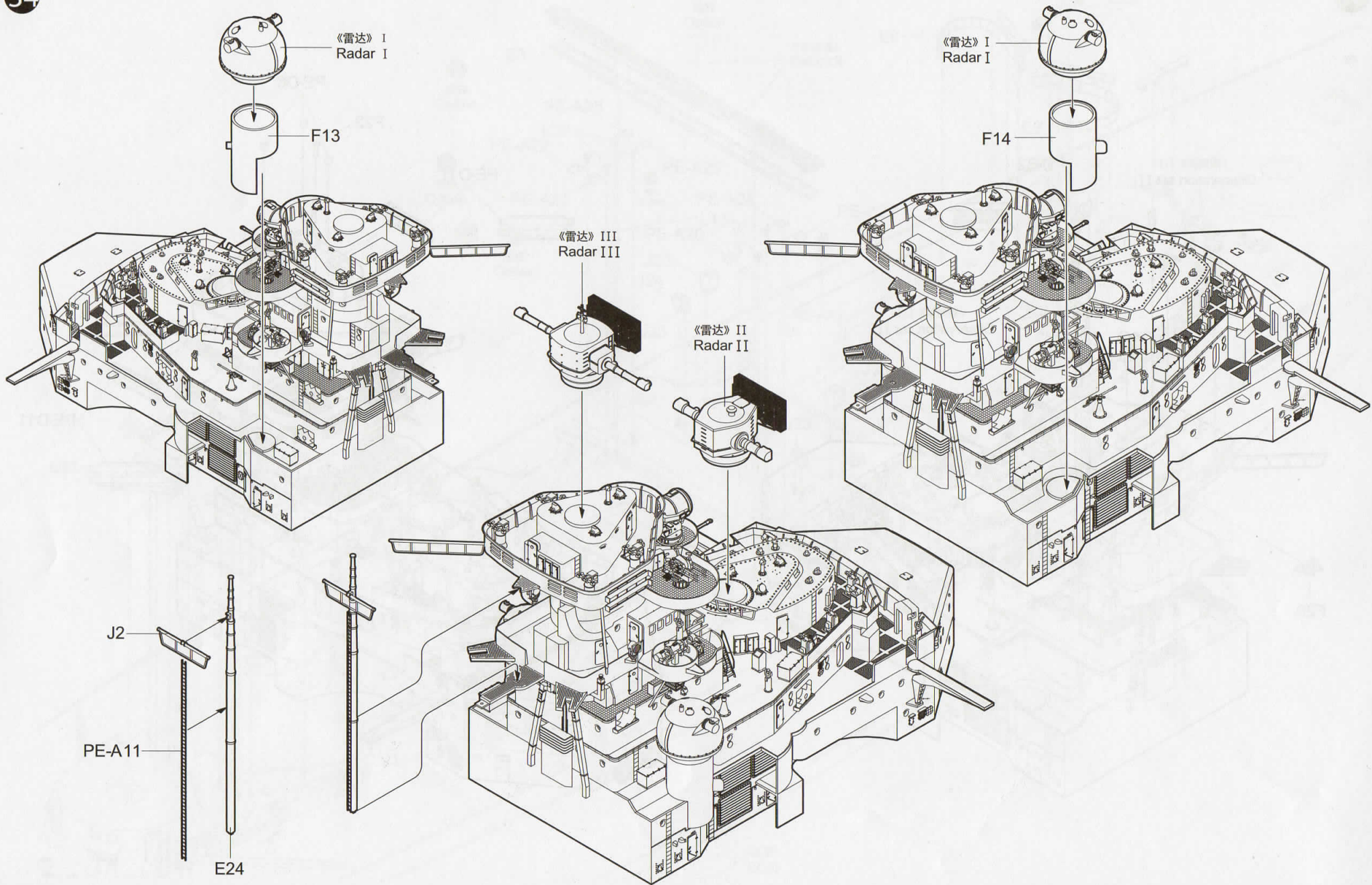
E4

F15

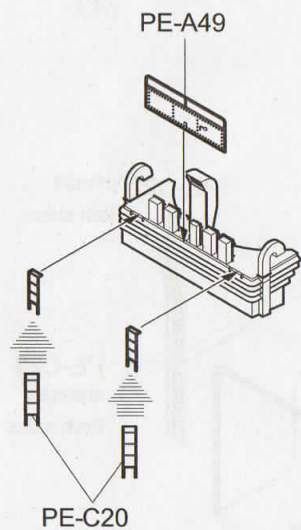
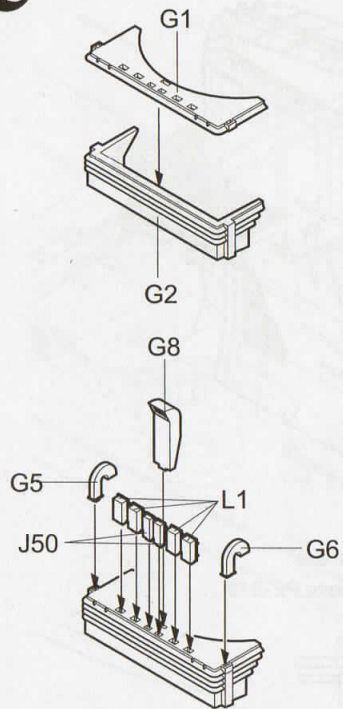




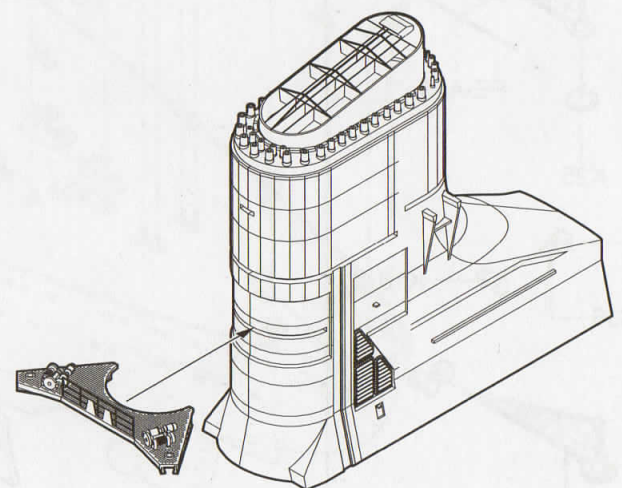
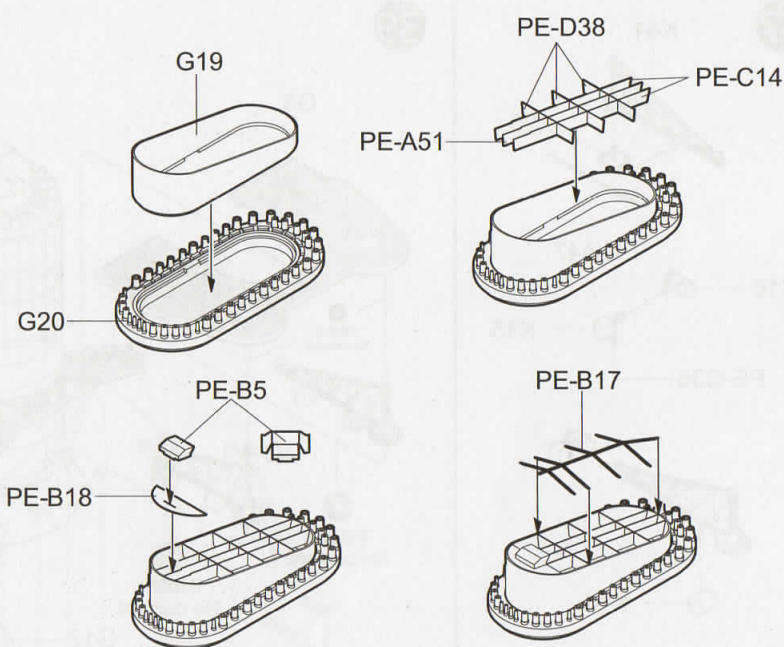
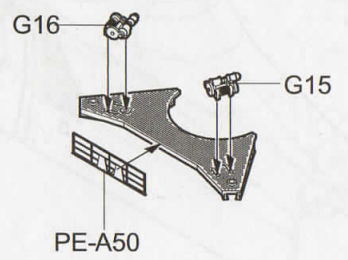
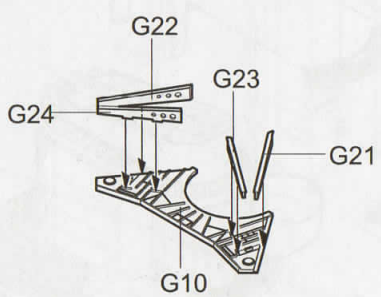
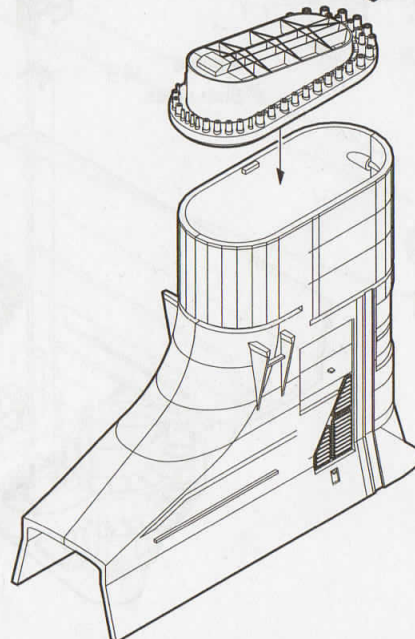
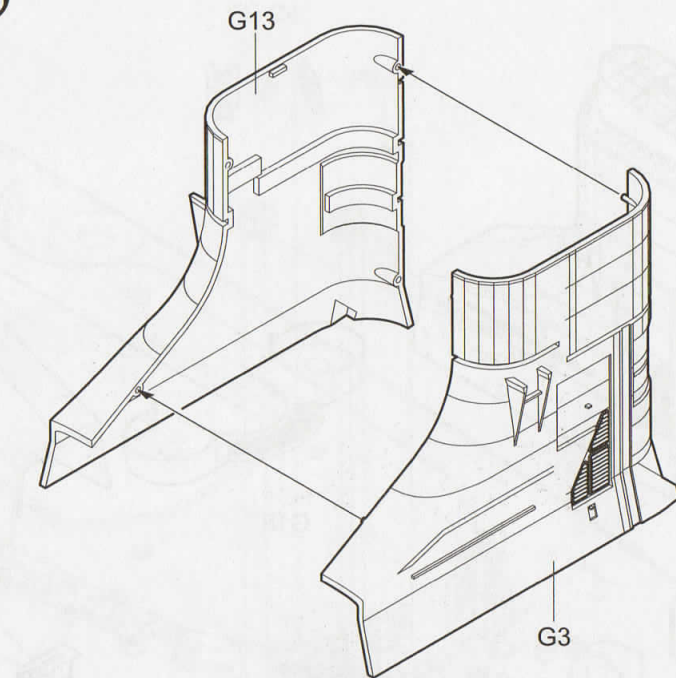




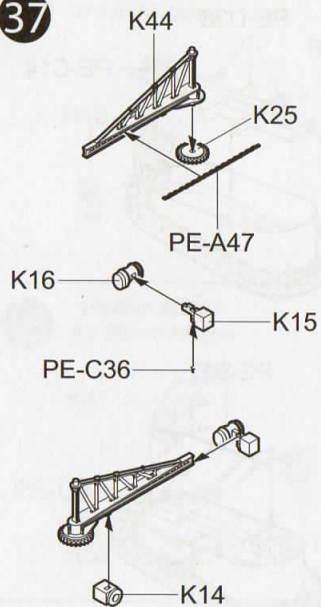
35



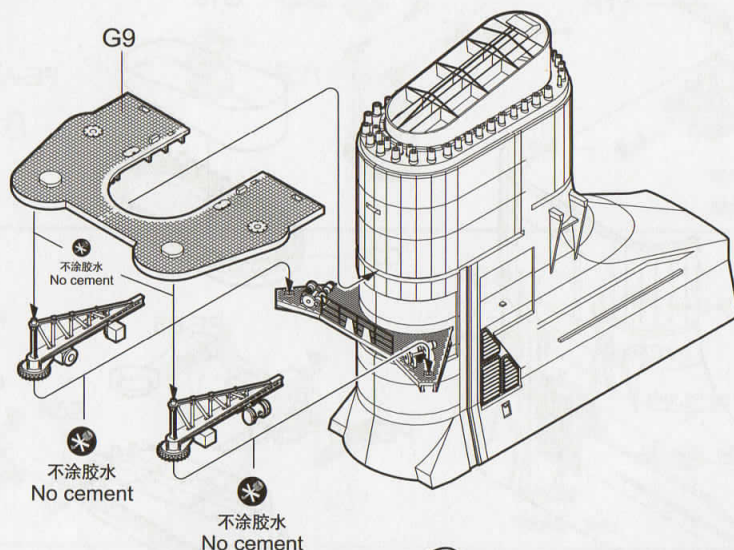
36



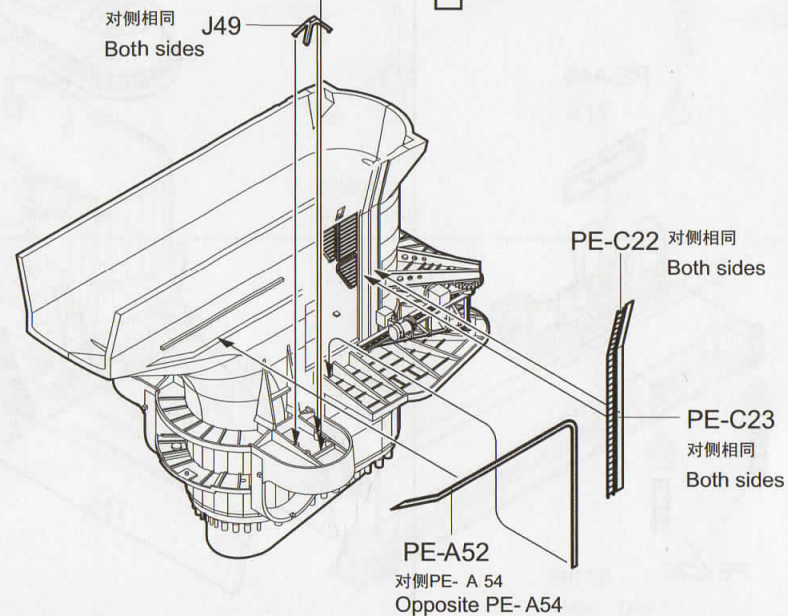
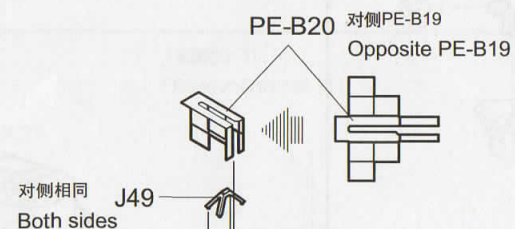
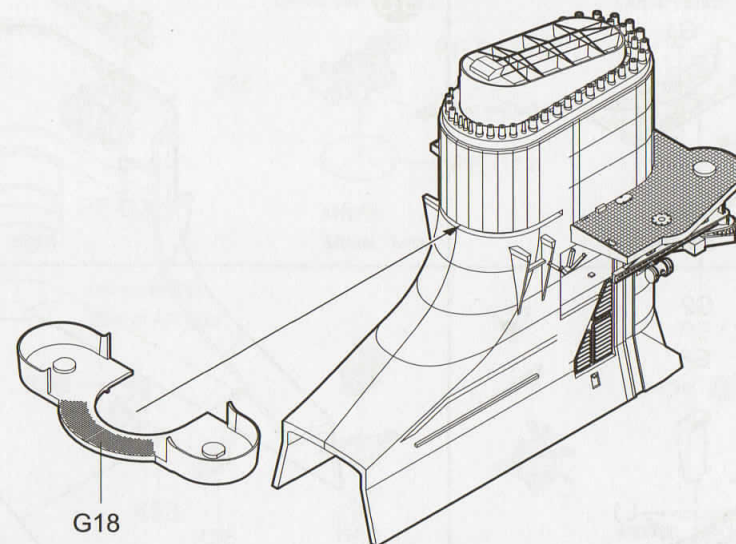
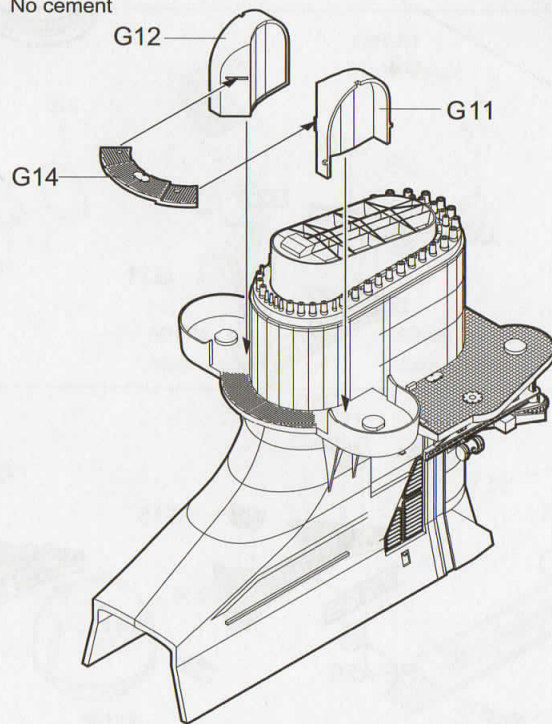
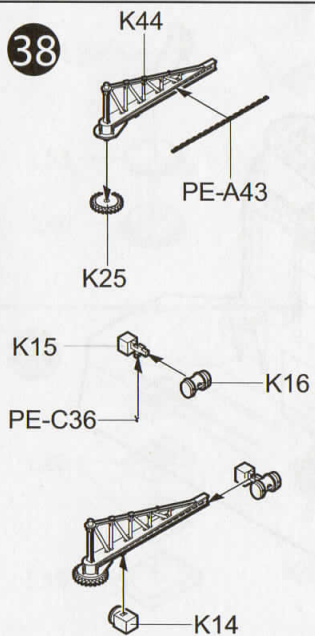
37



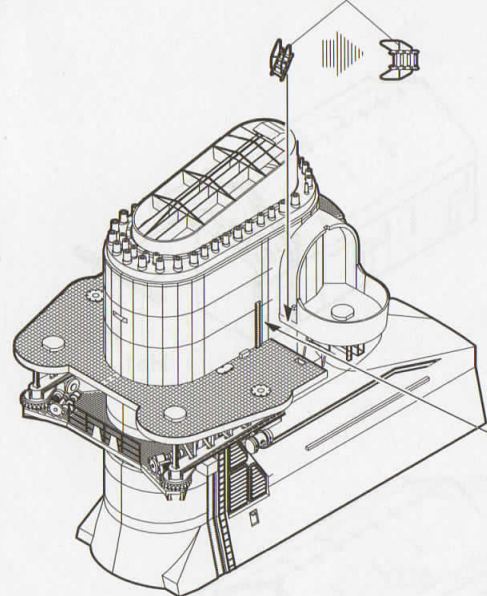
39



38

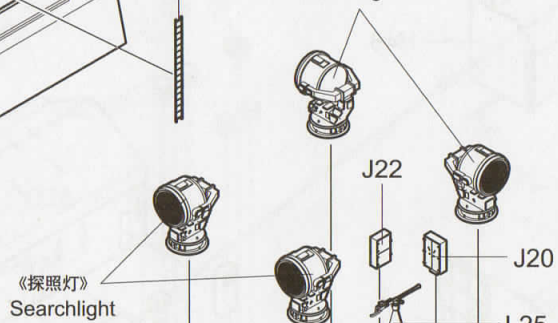


对侧相同
PE-C1 Both sides



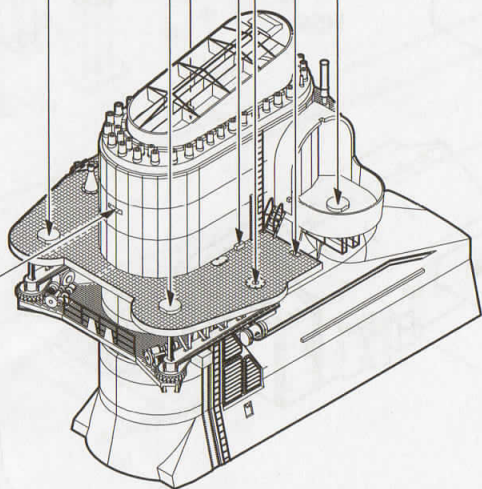
对侧相同
Both sides
PE-C21

《探照灯》
Searchlight

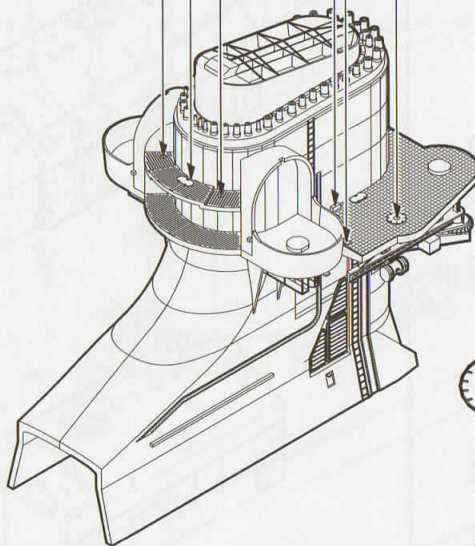


《探照灯》
Searchlight

J43
G17

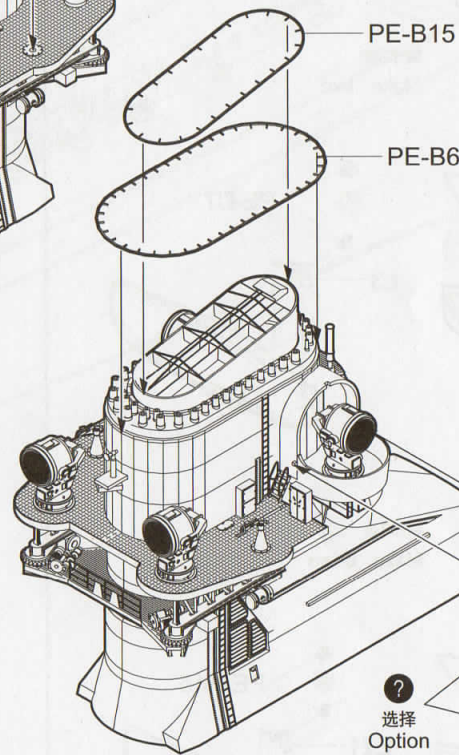


G4 J43
PE-A9 J22 L25
J20



PE-B15

PE-B6



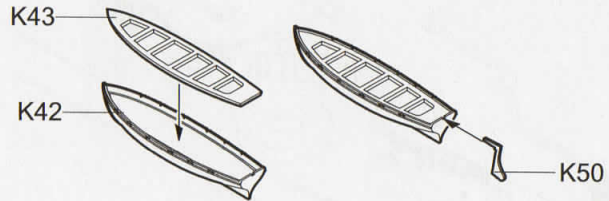
J7 对侧相同
Both sides

?
选择
Option

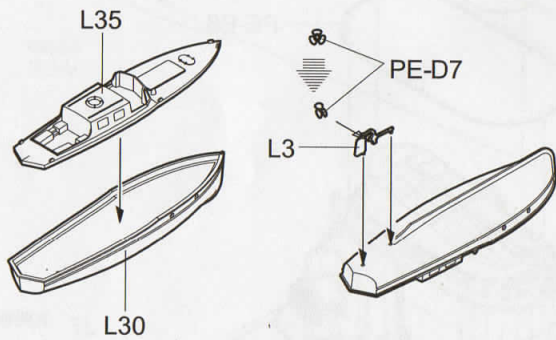
J7 对侧相同
Both sides



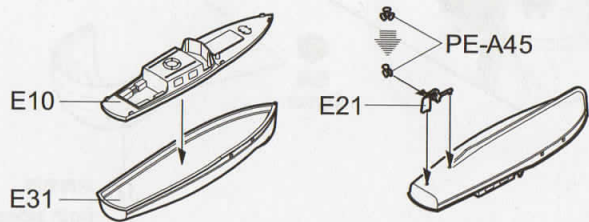
41



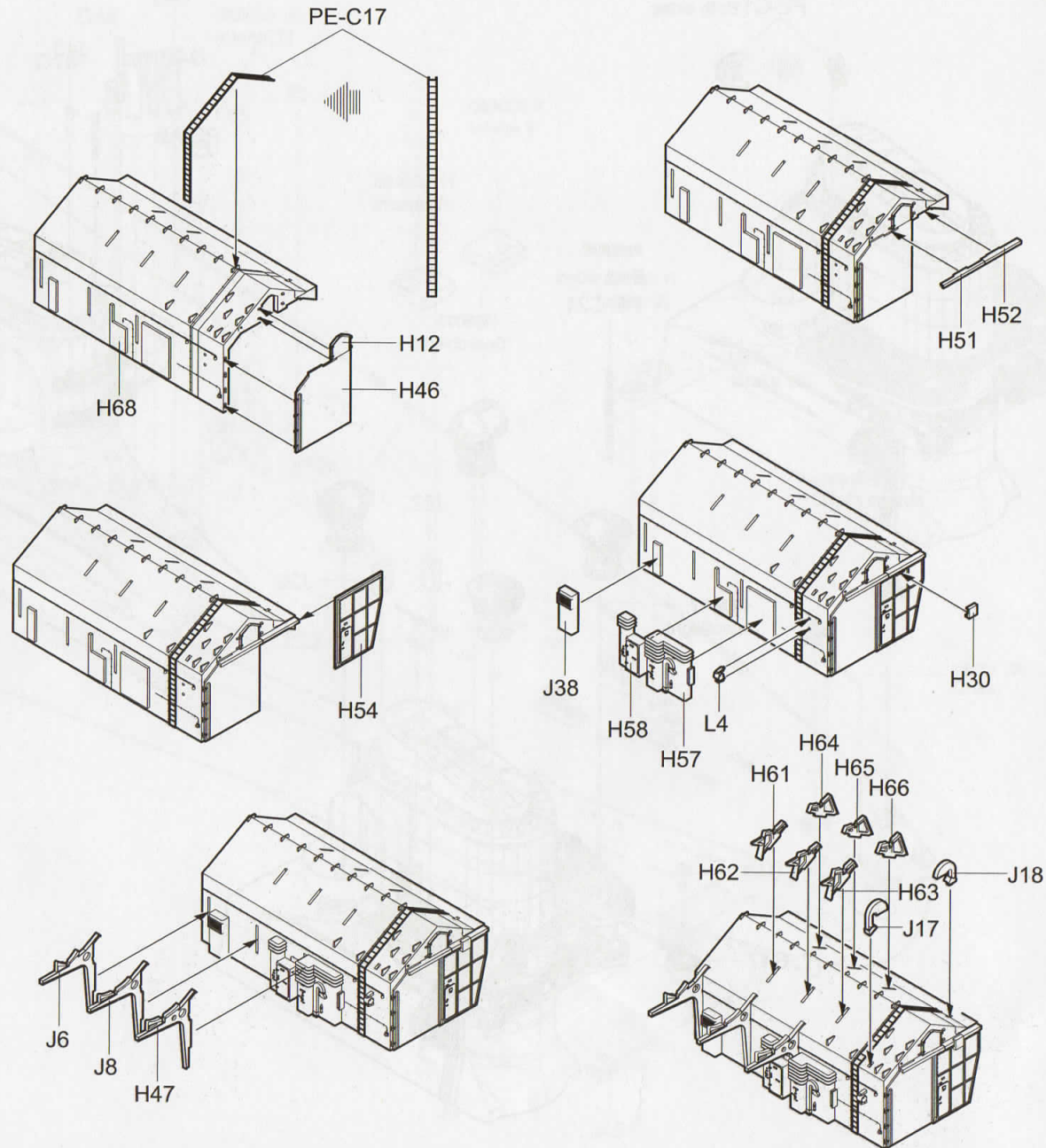
制作2套
Make two



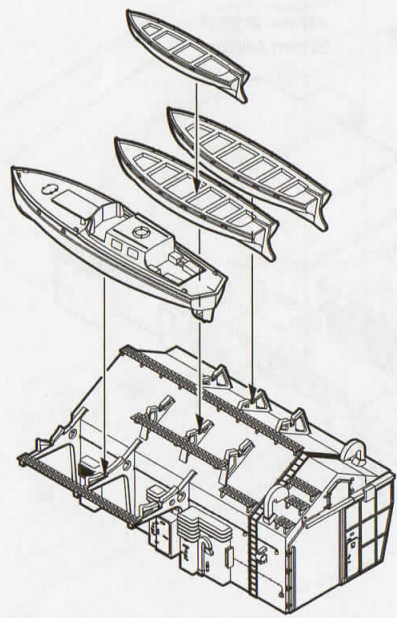
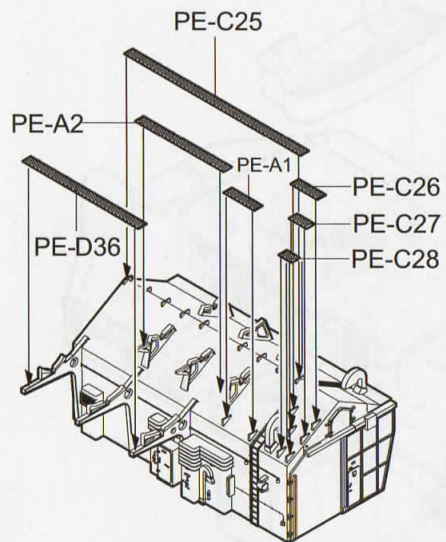
制作3套
Make three



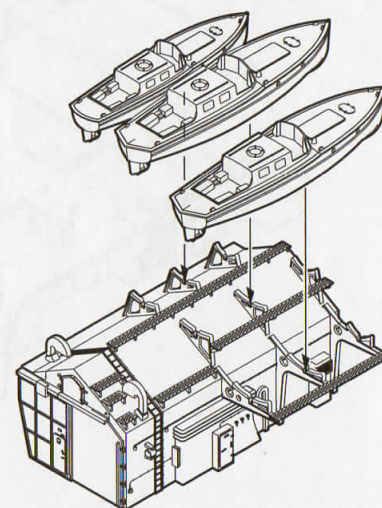
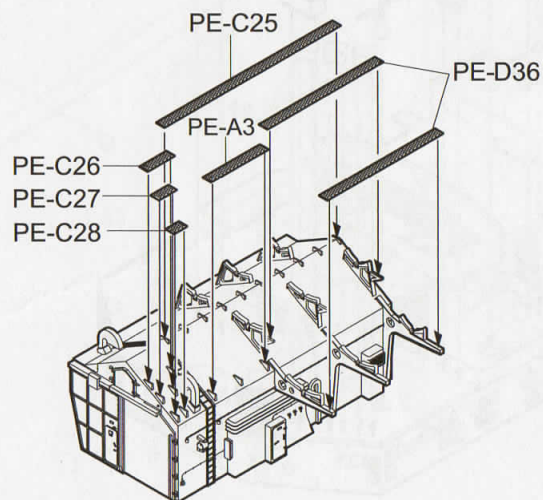
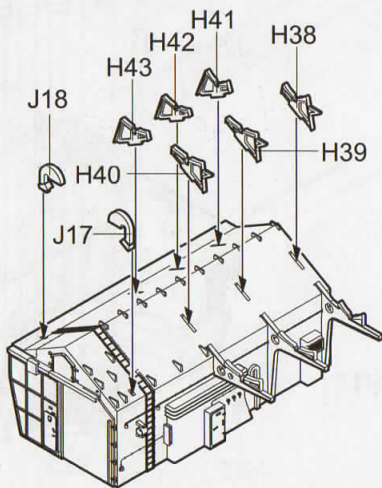
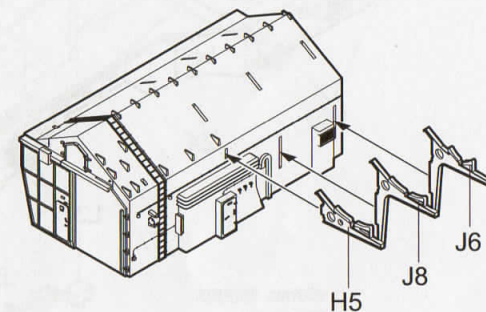
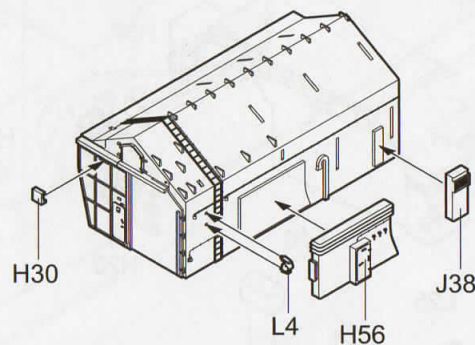
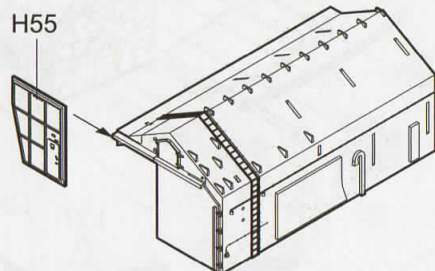
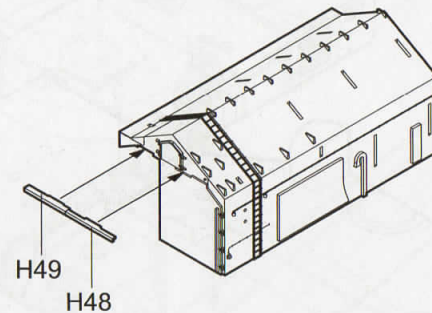
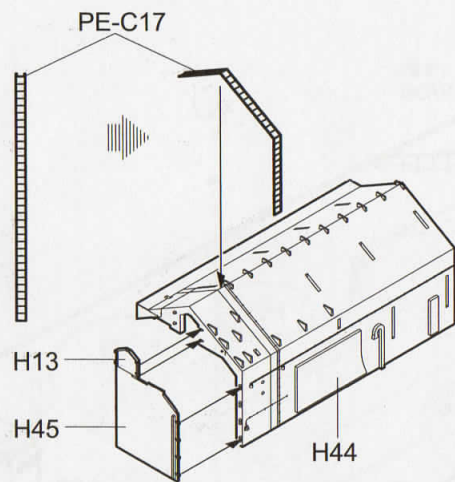
42

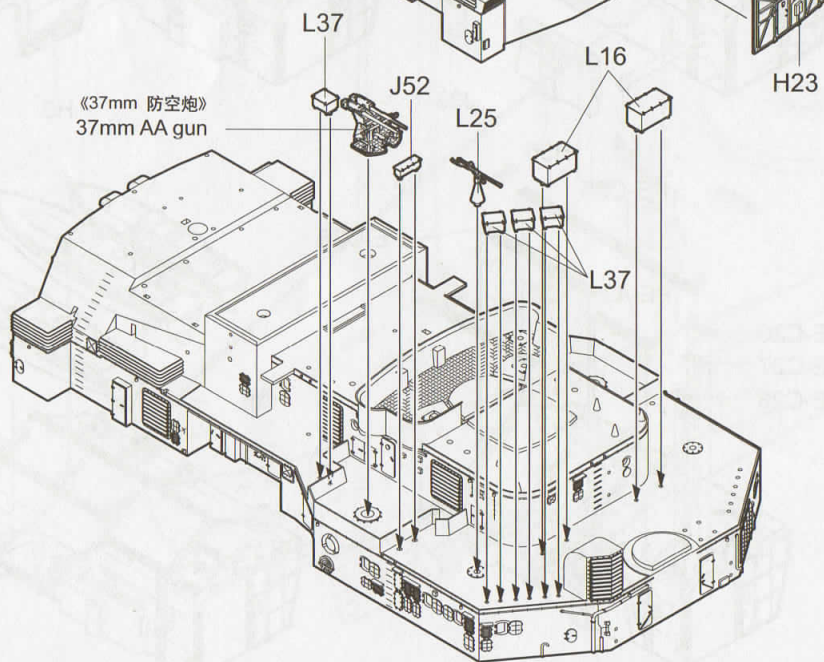
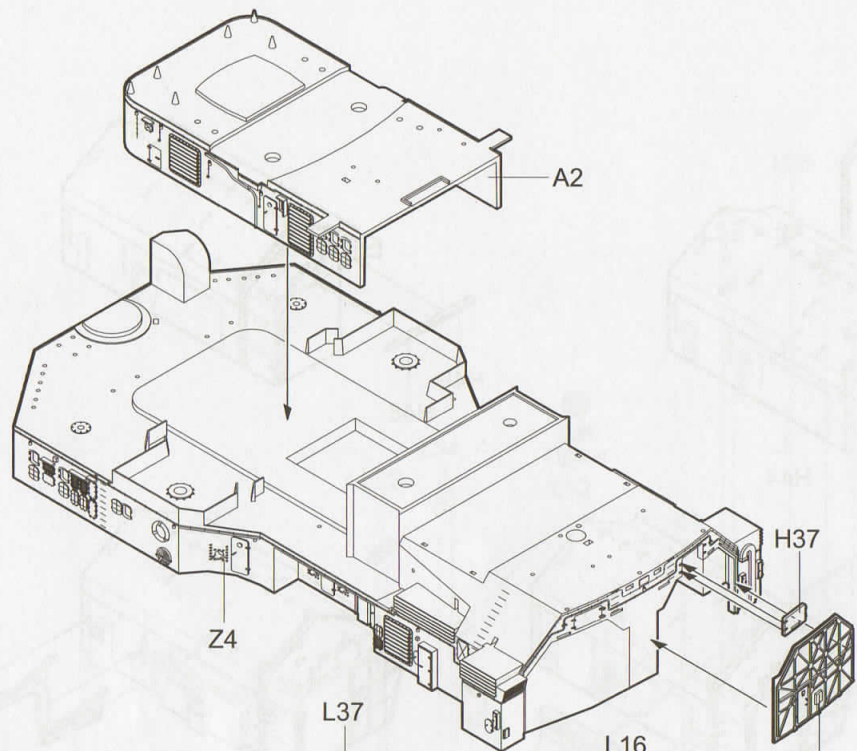


43

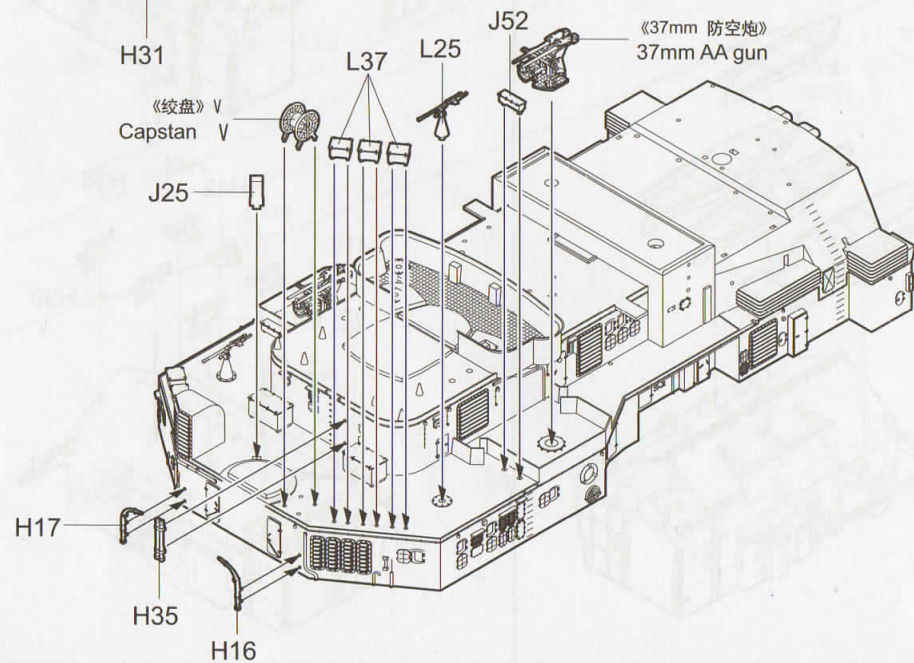
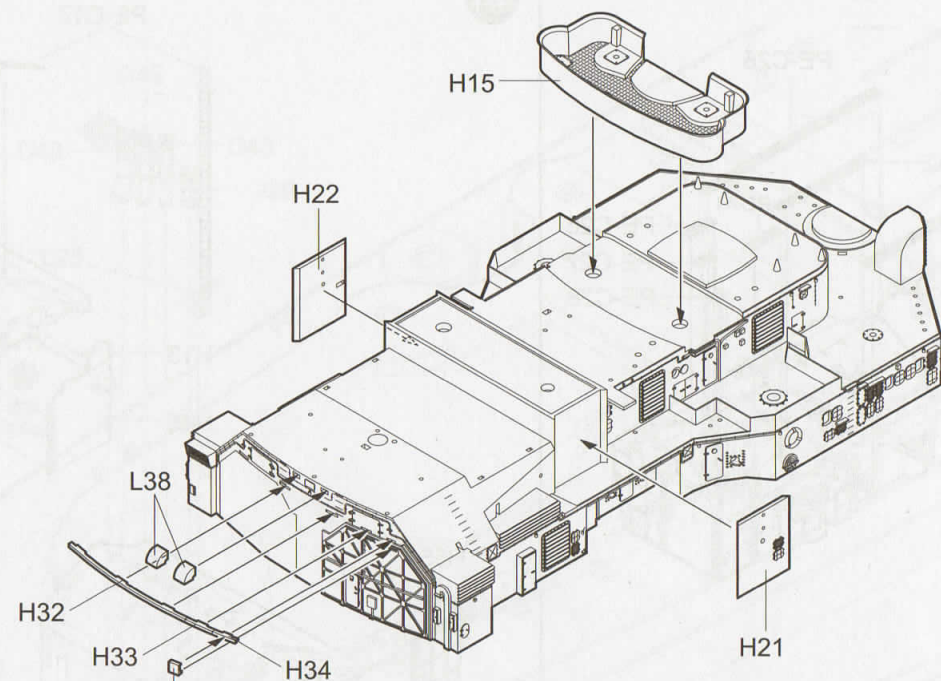


44



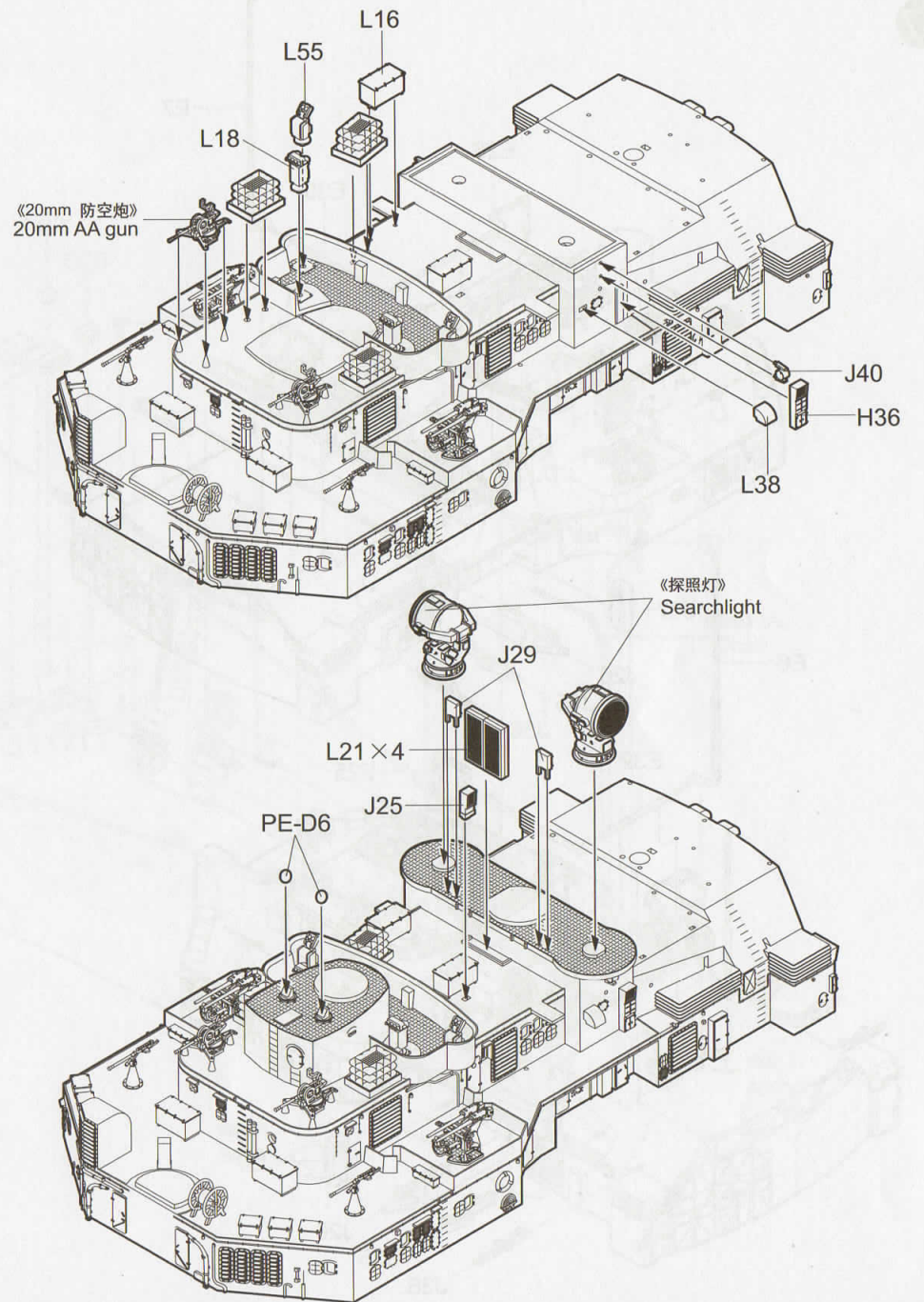
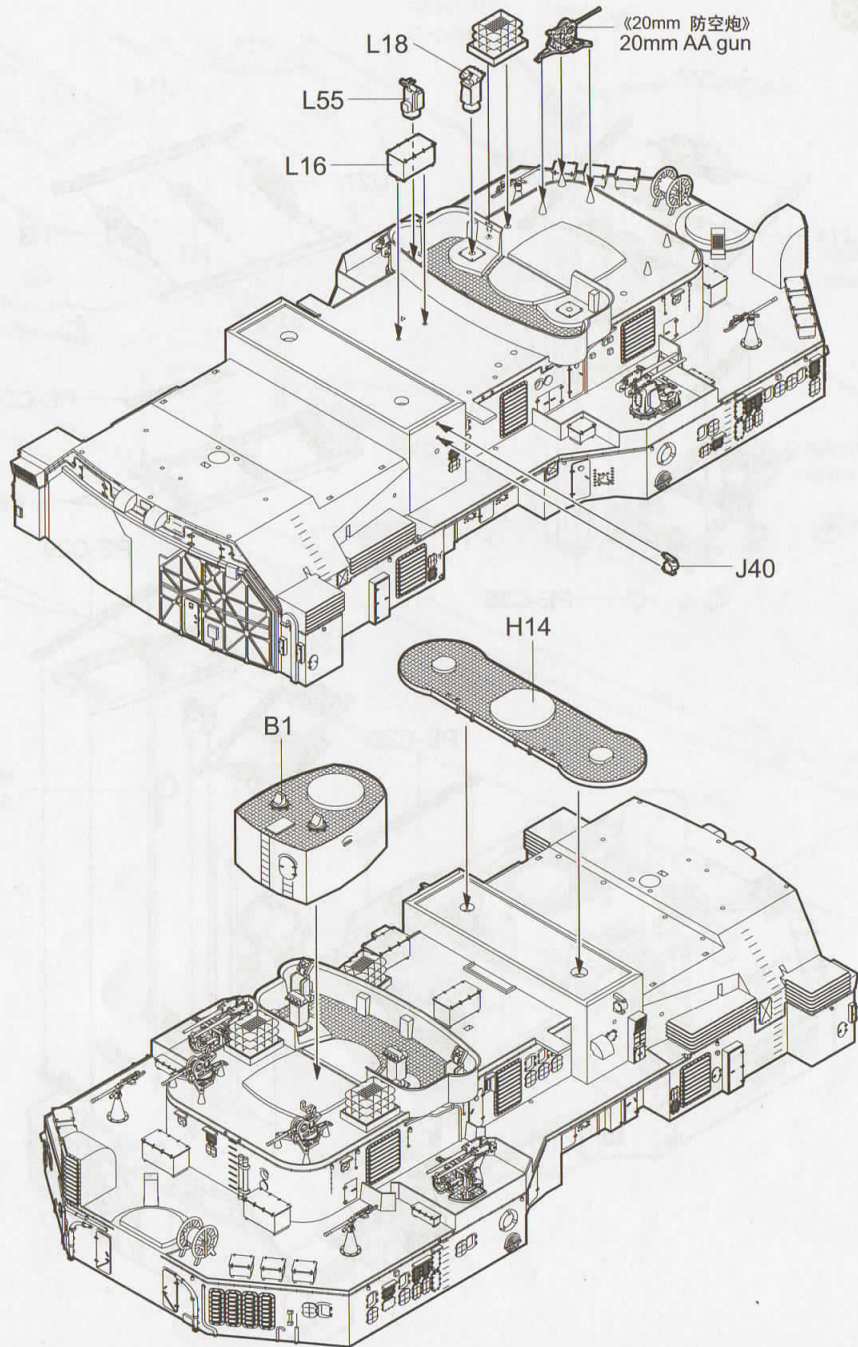


《37mm 防空炮》
37mm AA gun

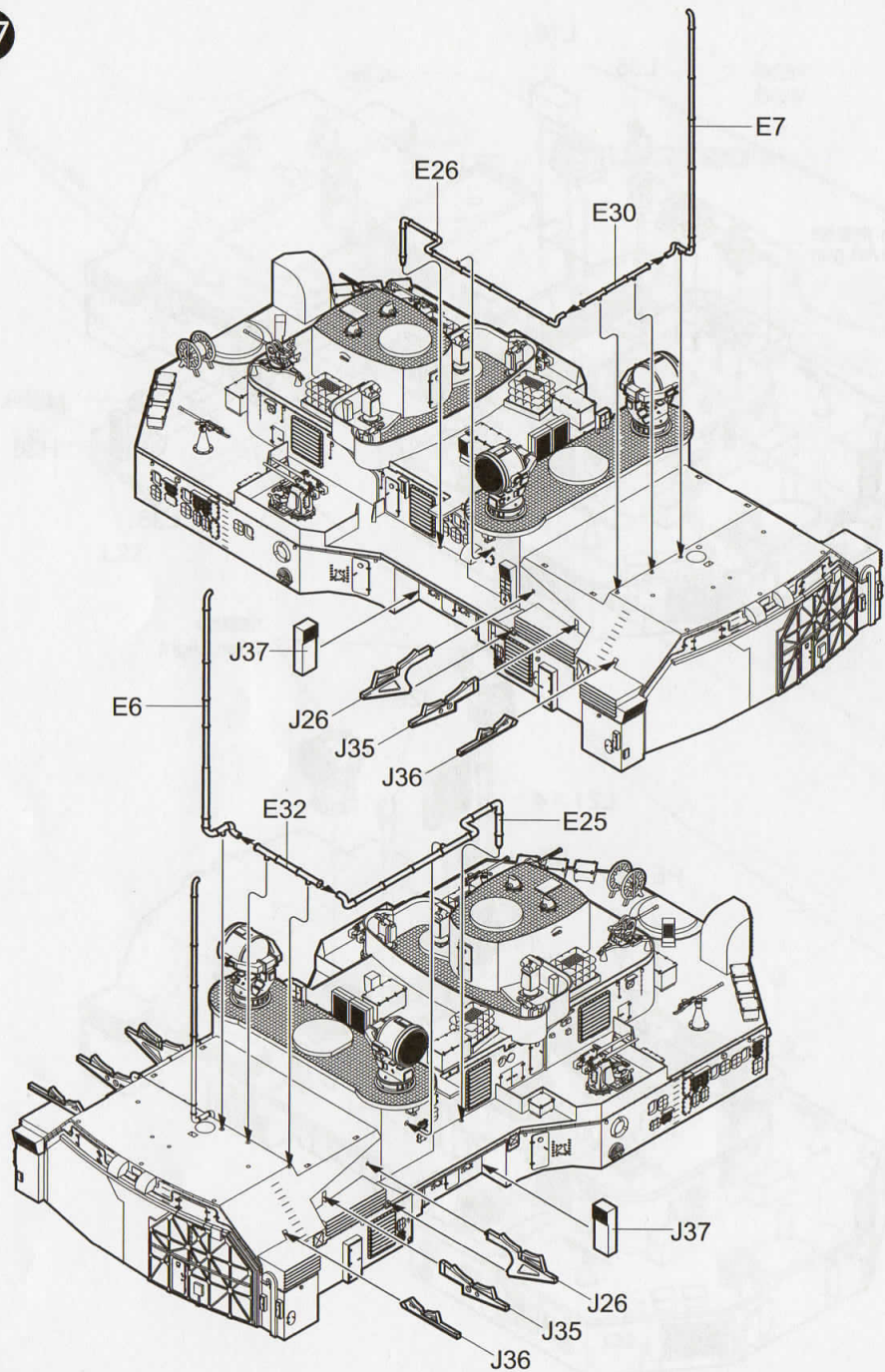


《绞盘》 V
Capstan V

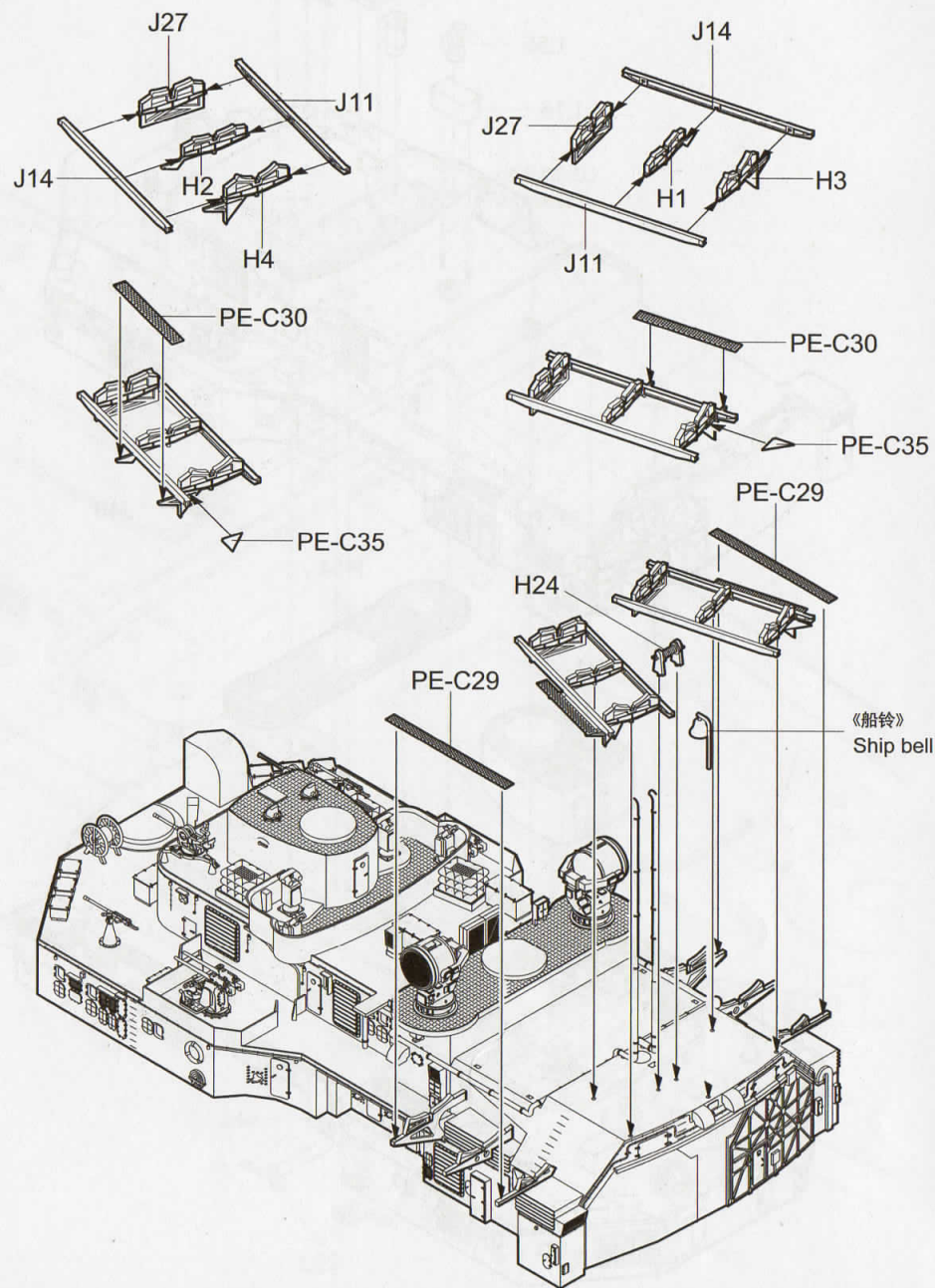
《37mm 防空炮》
37mm AA gun



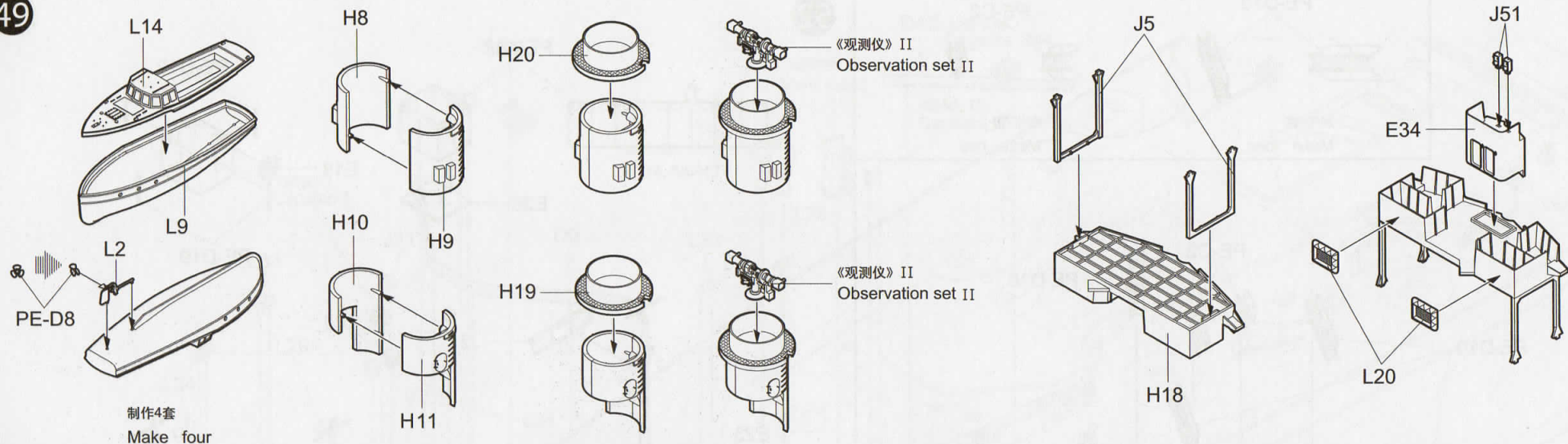
47



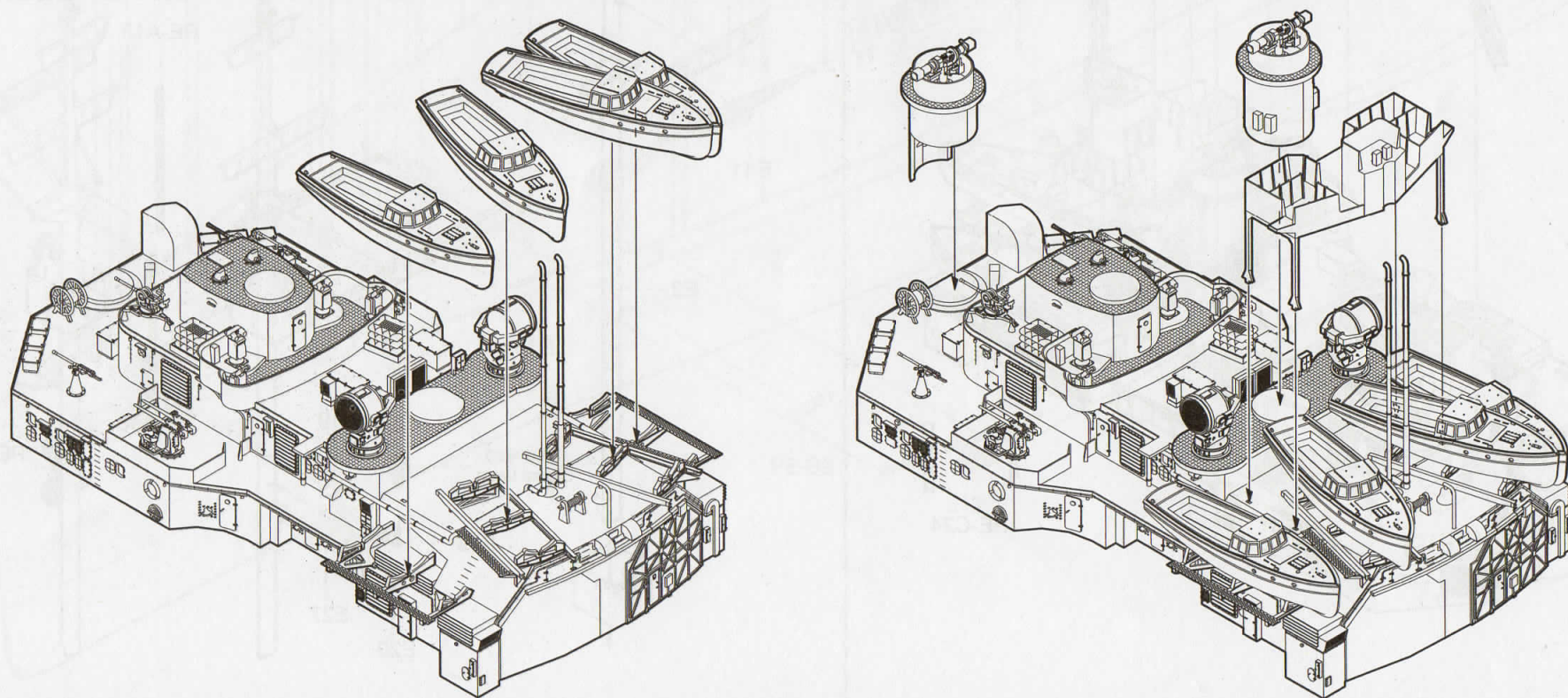
48



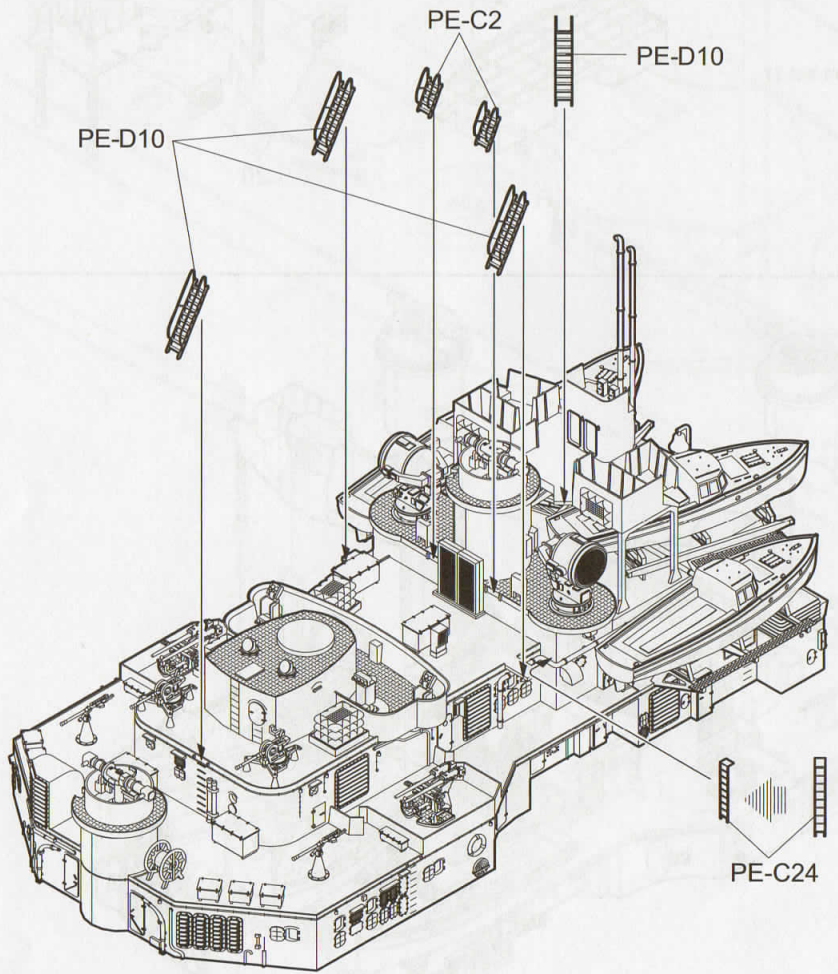
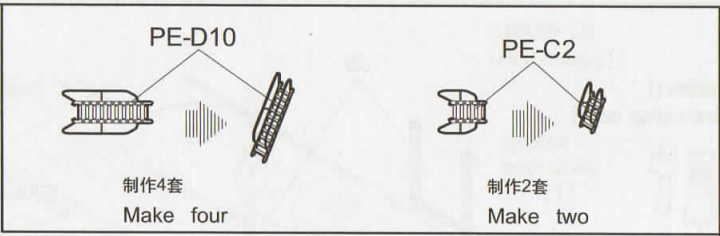
49



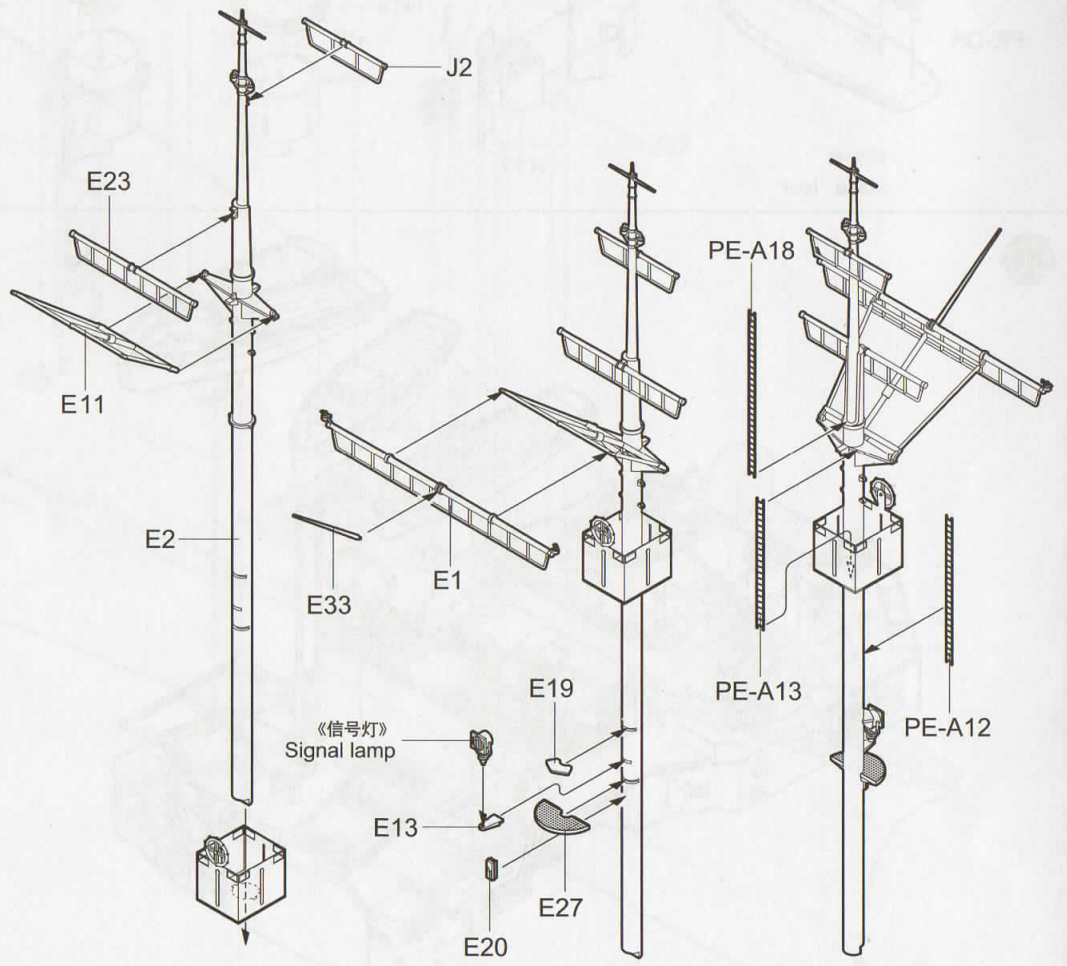
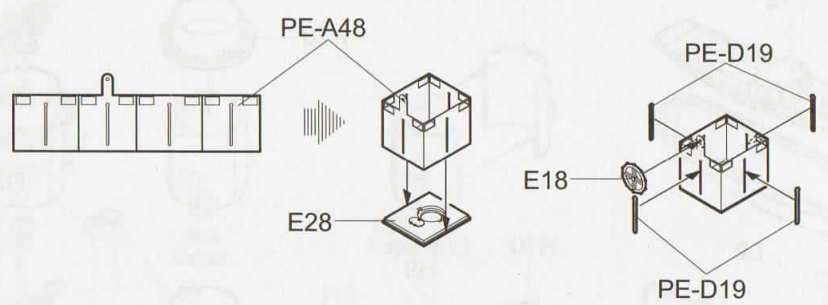
50

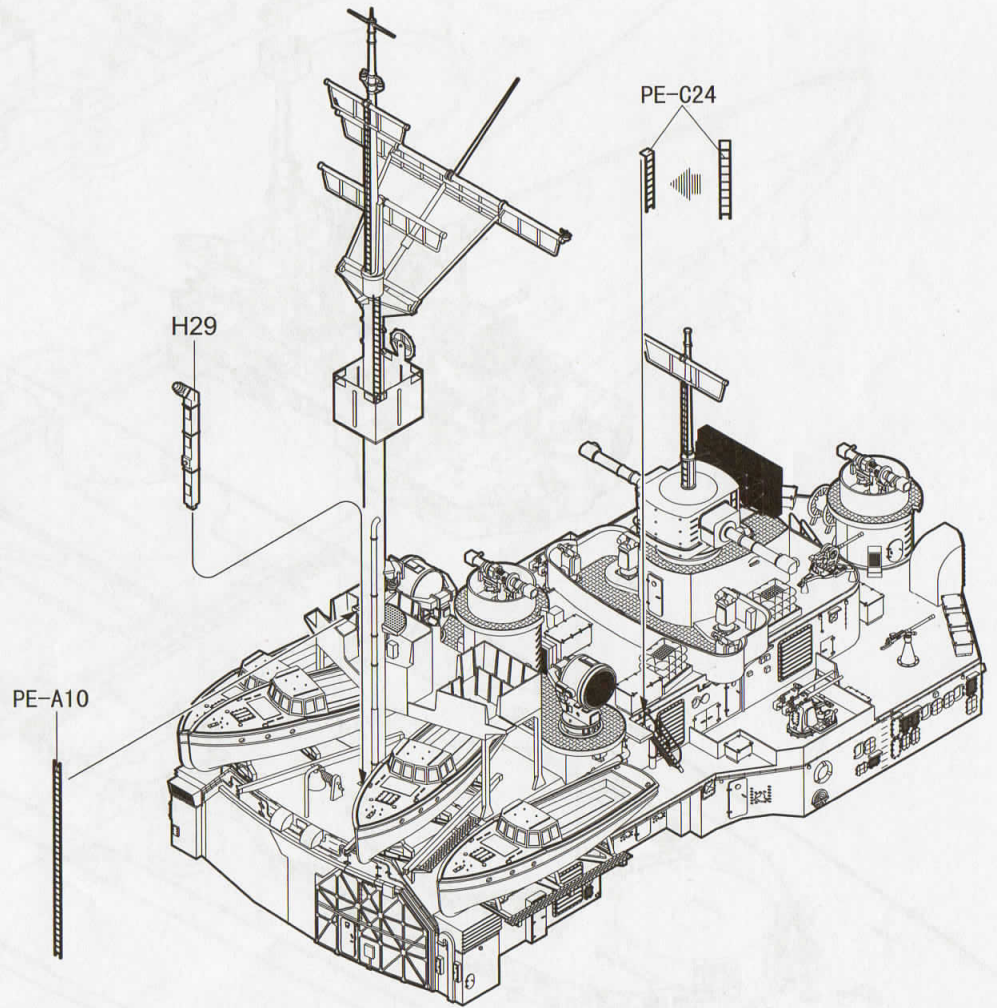
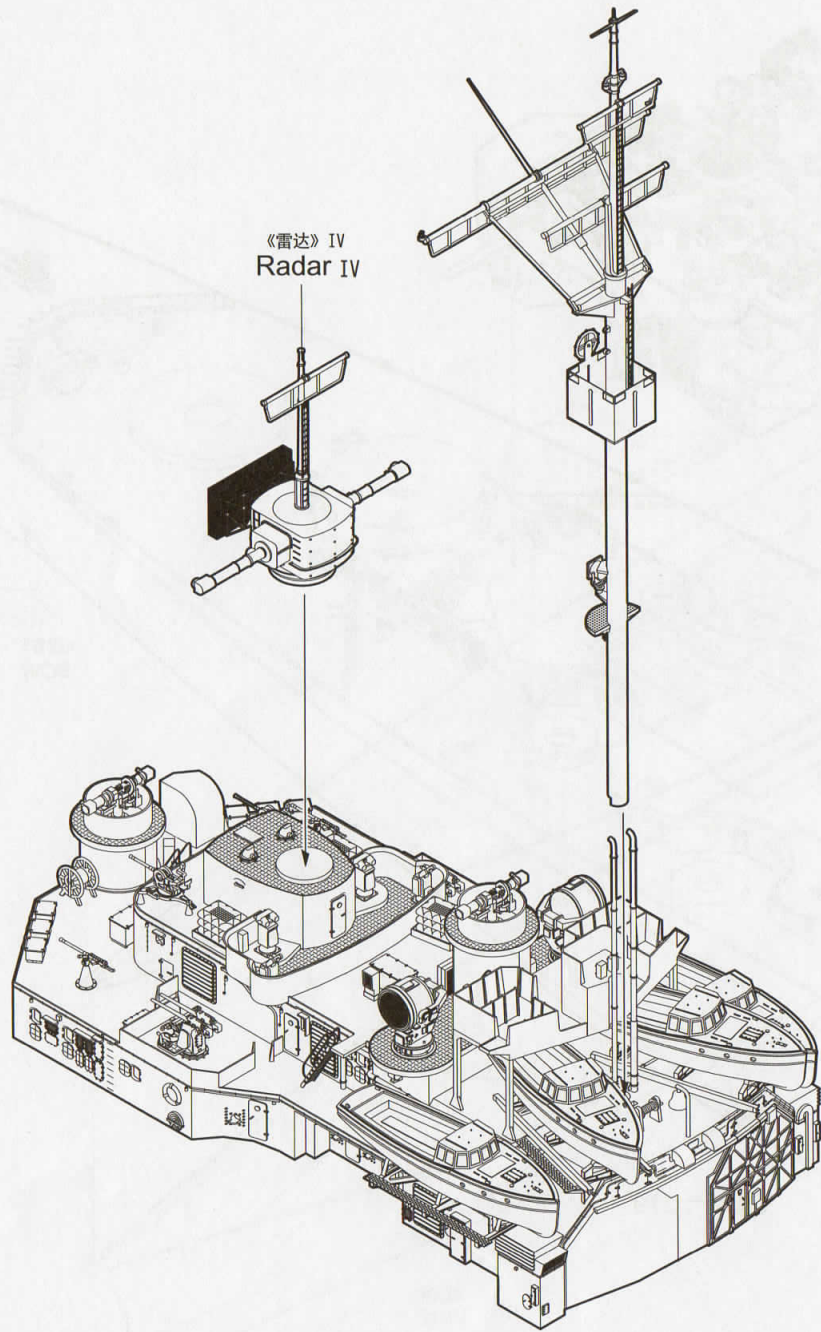


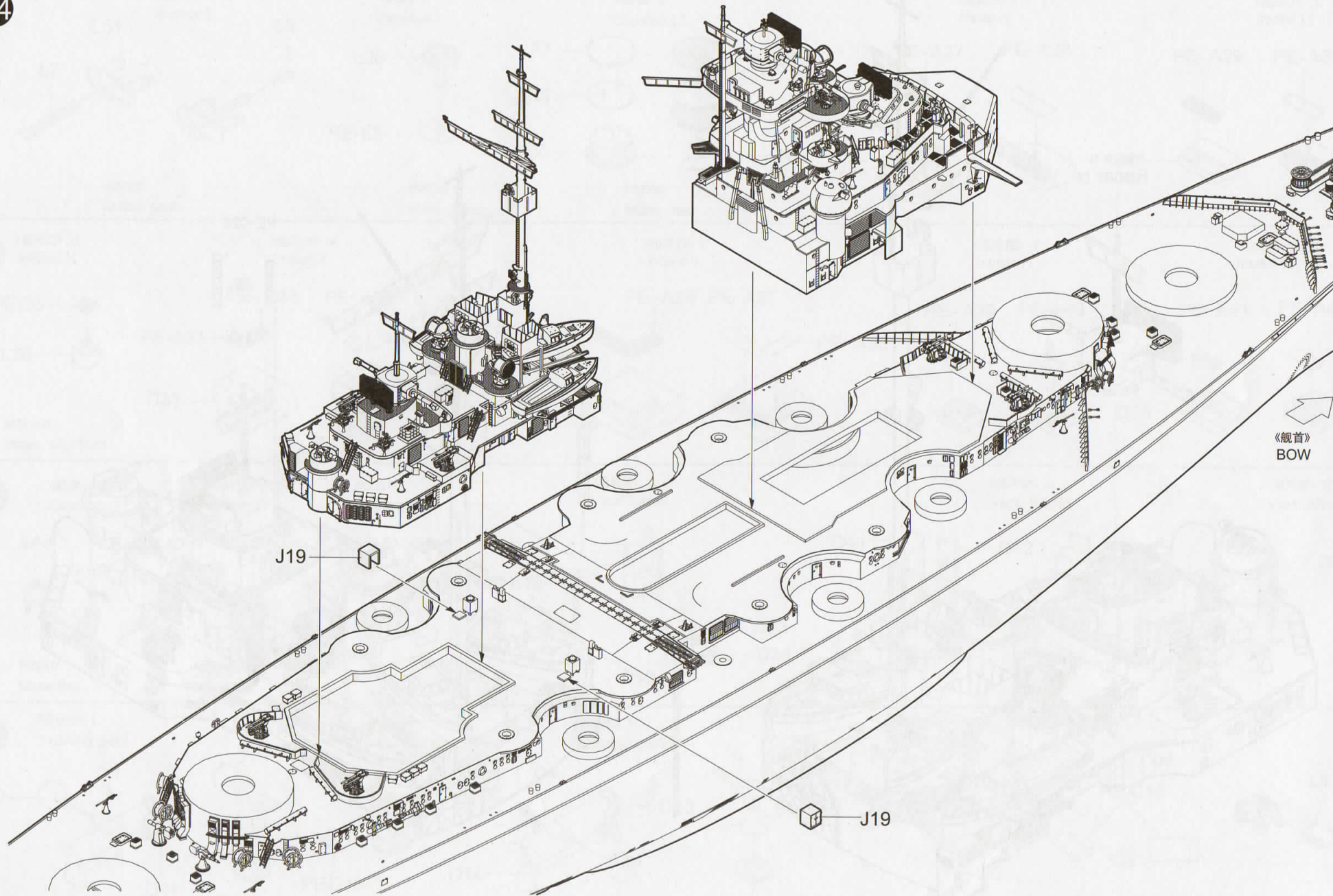
51

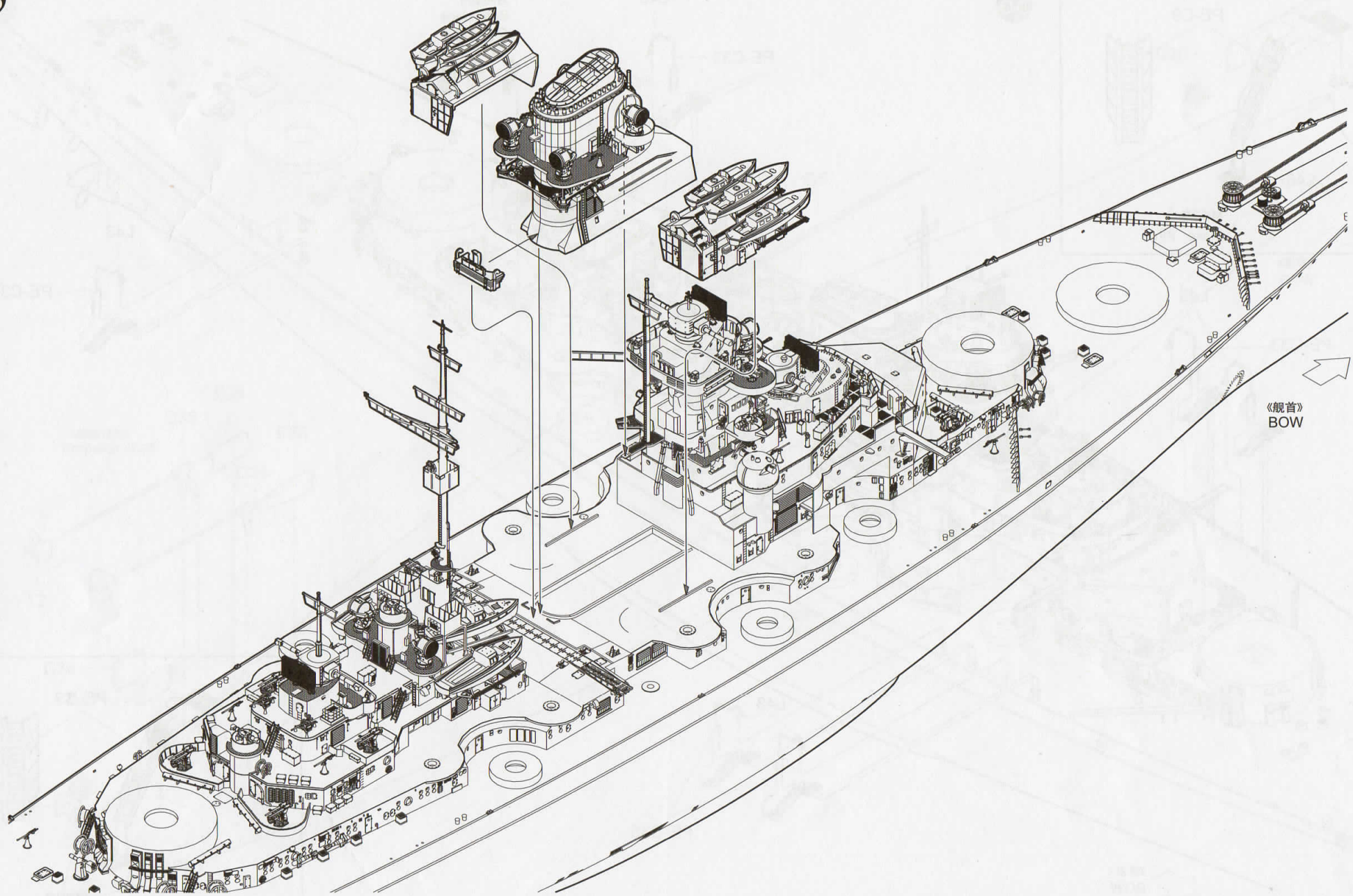


52

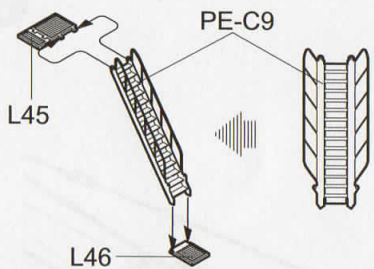




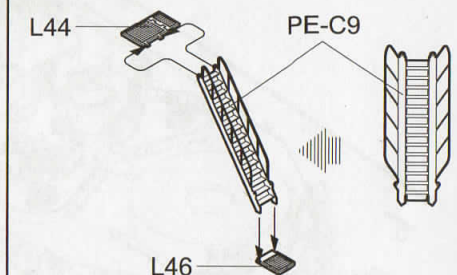
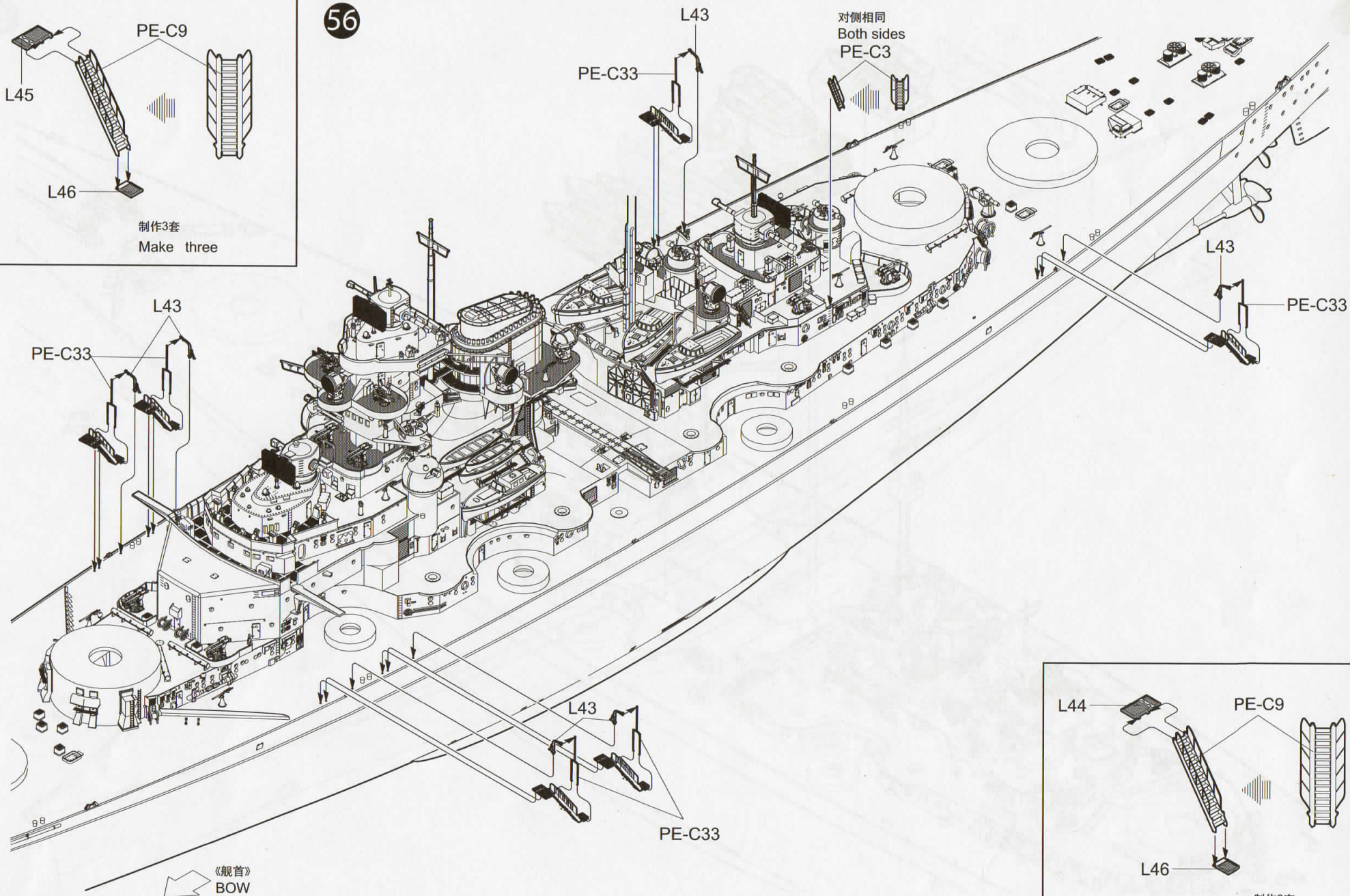




56

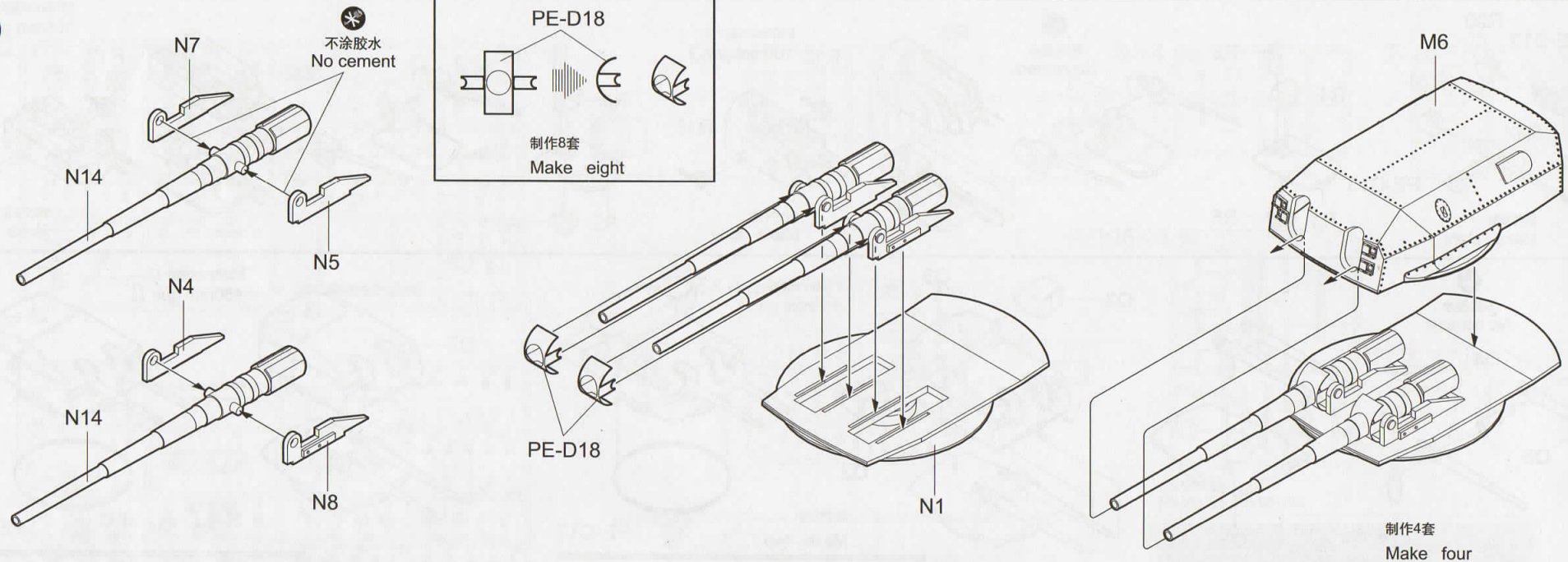


制作3套
Make three



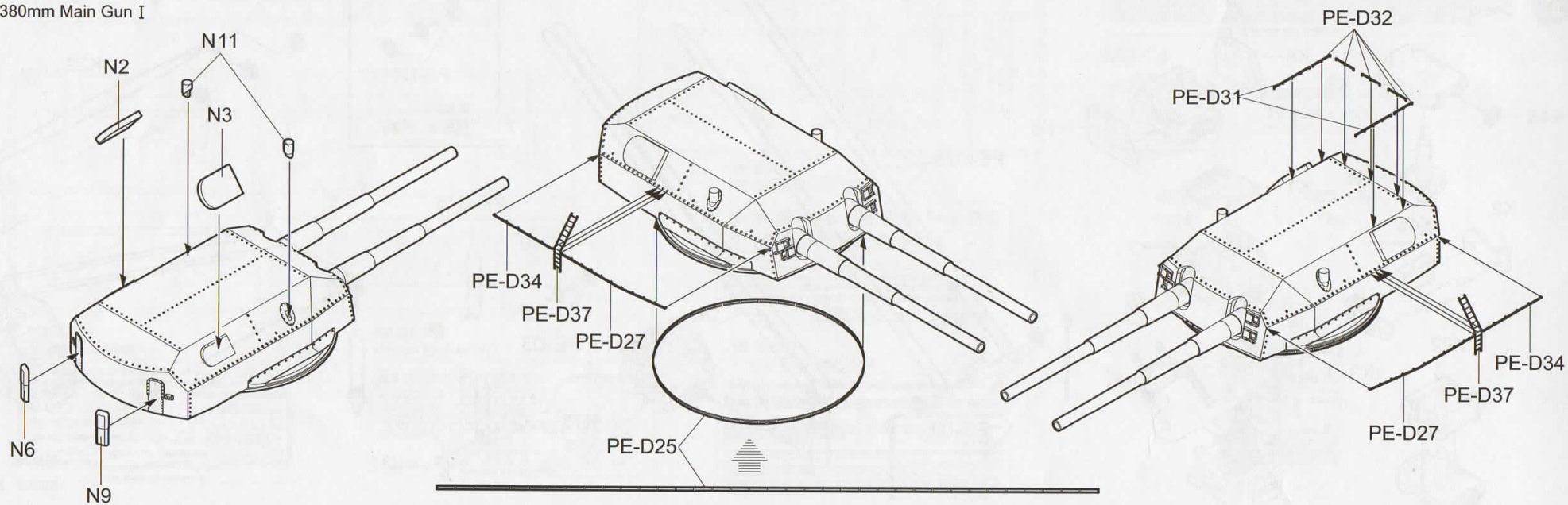
制作3套
Make three

60

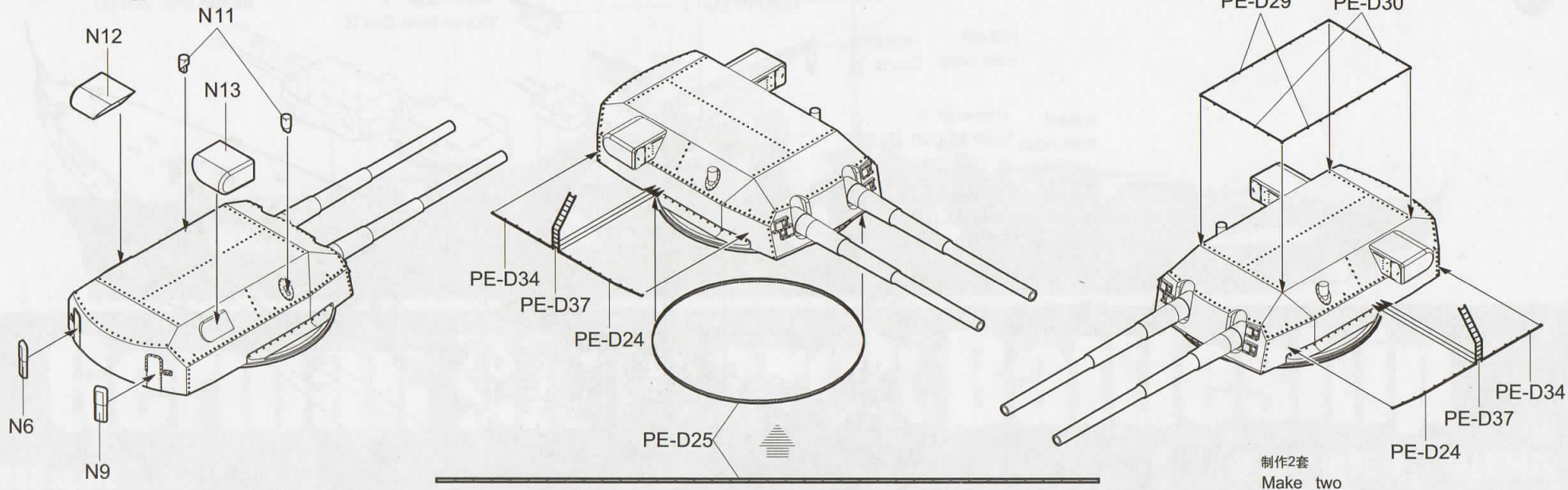


61

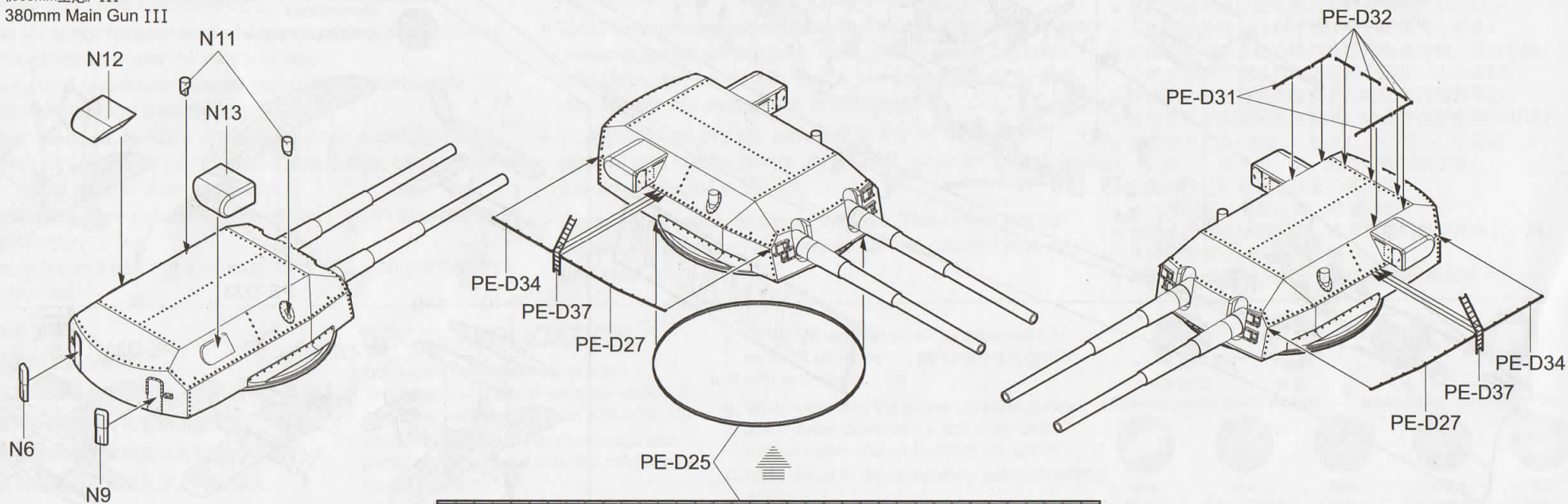
《380mm主炮》I
380mm Main Gun I



62 《380mm主炮》II
380mm Main Gun II



63 《380mm主炮》III
380mm Main Gun III



对侧相同 《105mm炮》 I
Both sides 105mm gun I

《380mm主炮》 III
380mm Main Gun III

对侧相同 《起重机》
Both sides Crane

《380mm主炮》 II
380mm Main Gun II

对侧相同 《105mm炮》 II
Both sides 105mm gun II

对侧相同 《150mm炮》 I
Both sides 150mm gun I

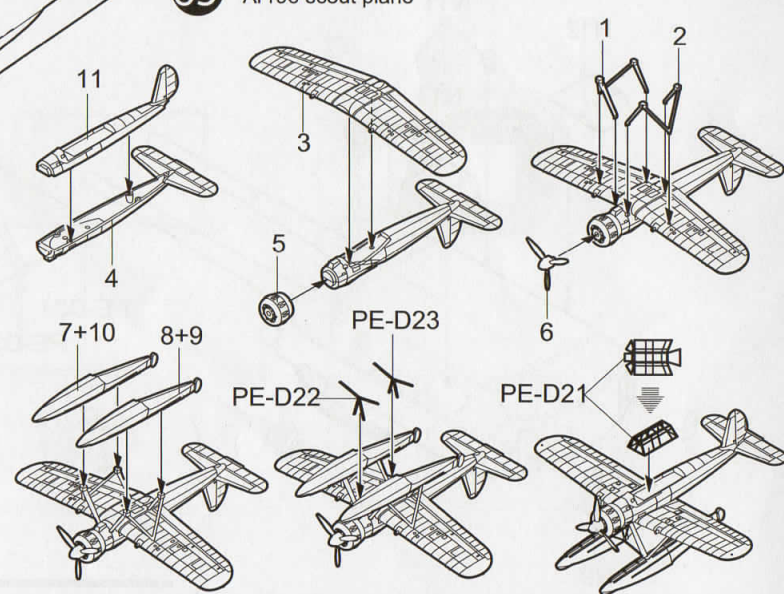
对侧相同 《150mm炮》 II
Both sides 150mm gun II

《380mm主炮》 II
380mm Main Gun II

《380mm主炮》 I
380mm Main Gun I

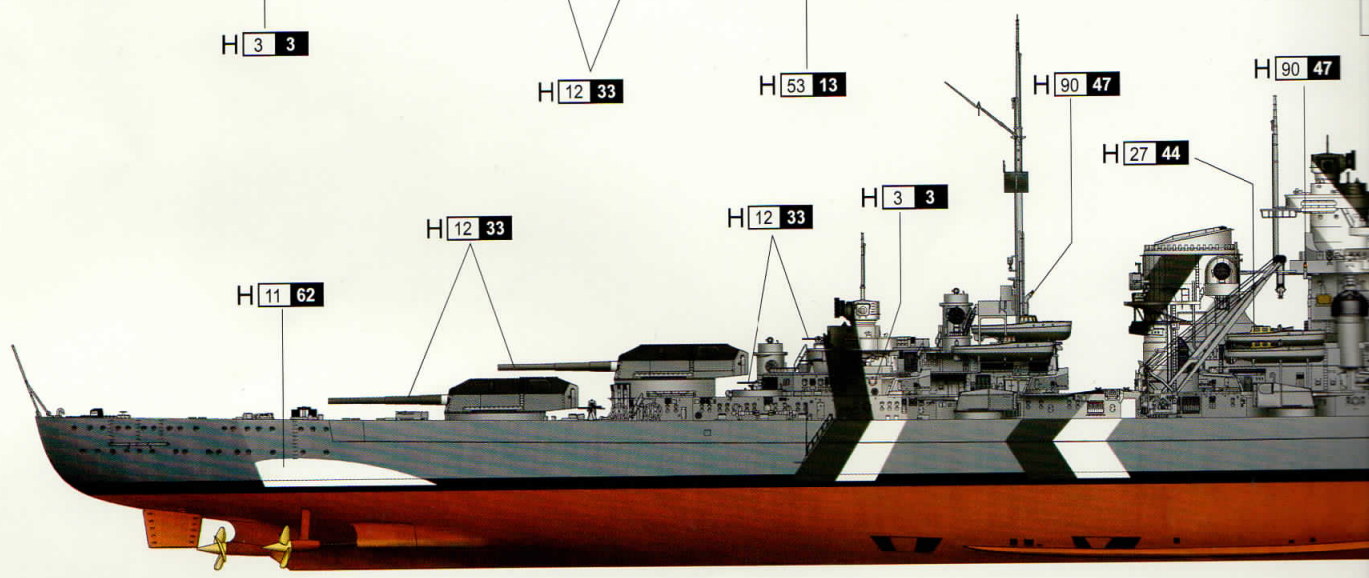
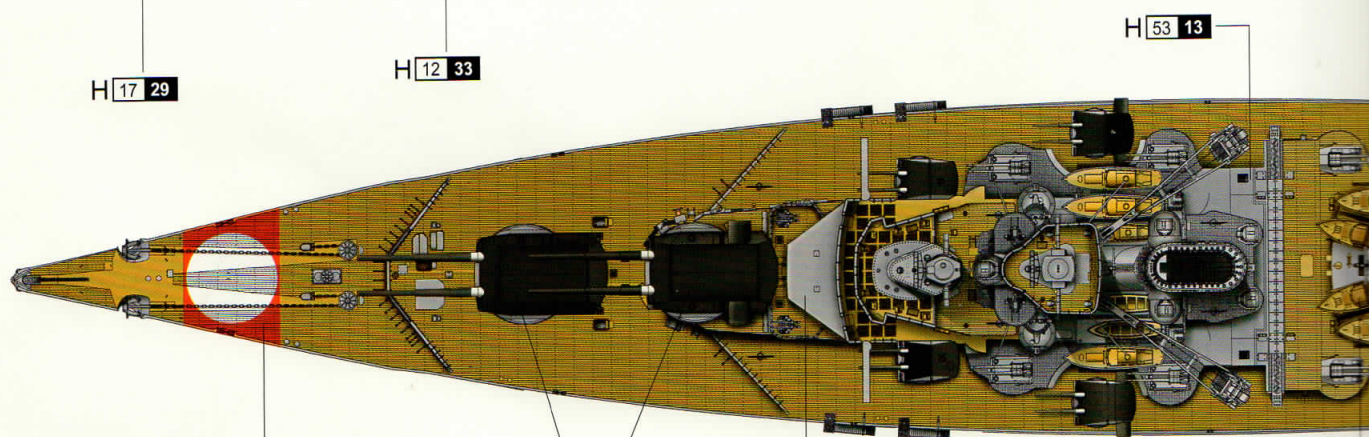
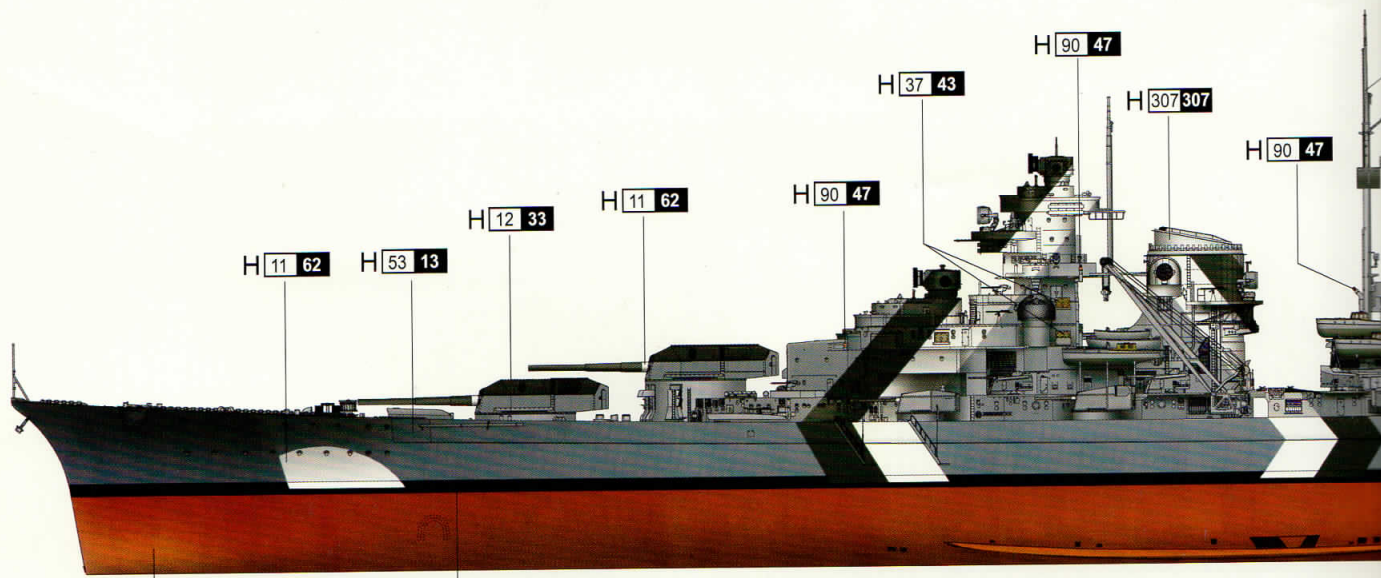
BISMARCK
W4

《Ar196侦察机》
Ar196 scout plane



涂装同标贴指示

Painting & Marking guide



H☒ AQUEOUS HOBBY COLOR ☒ Mr. COLOR

03702 1/200 German Bismarck Battleship

PAINT REFERENCE COLOUR

Color	Mr.Hobby	Vallejo	Model Master	Tamiya	Humbrol
Gold 金色	H 9 9	878	1744	X12	16
Cocoa Brown 舰底色	H 17 29	985	—	XF9	177
Flat black 亚光黑	H 12 33	950	1749	XF1	33
Orange Yellow 黄橙色	H 24 58	—	—	—	—
Flat White 亚光白	H 11 62	951	1768	XF2	34
Grey 灰色	H 307 307	—	1741	XF22	128
Wood Brown 木棕色	H 37 43	983	1701	—	186
Clear Green 透明绿	H 94 138	936	—	X25	—

PAINT REFERENCE COLOUR

Color	Mr.Hobby	Vallejo	Model Master	Tamiya	Humbrol
Tan 黄褐色	H 27 44	981	—	—	9
Red 红色	H 3 3	908	1503	X7	19
White 白色	H 1 1	842	1745	X2	22
Green 绿色	H 302 302	895	1764	XF26	149
Neutral Gray 灰色	H 53 13	992	—	—	22
RLM78 Light Blue 浅蓝色	H 118	—	—	—	175
Gray maizuru naval yard 舞鹤工厂色	H sc03	—	—	—	—
Clear Red 透明红	H 90 47	934	—	X27	—

