

Curtiss P-40B Warhawk

1:32 Scale

寇蒂斯P-40B"战鹰"

READ BEFORE ASSEMBLY

- Study and understand this instructions thoroughly before beginning assembly.
- Remove all injection pins carefully using a modeling file.
- Cut off the photo-etched parts carefully using a modeling knife. Be sure not to lose small parts.
- Apply instant cement to photo etched parts and shafts. Apply too much instant cement will cause movable parts to stick. Apply cement carefully.
- Extra care should be taken to avoid personal injury when handling the photo etched parts.
- Some parts should depend on decals. Select prior to assembly.
- Tools recommended: (Not included in this kit) Cement; Side cutters; Long nose pliers; Modeling knife; Modeling file; Tweezers; Pin vise; Scissors; Instant cement.
- Soft cloth and sand paper will also assist in construction.
- Glue and paints are not included in the kit. Use plastic cement or paints only.
- Keep out of reach of small children. Children must not be allowed to suck any part, or pull vinyl bag over the head.

装配之前仔细阅读

- 小心用模型锉刀锉平所有零件表面的注射浇口。
- 小心用刀片切下蚀刻片零件，不要遗失小零件。
- 用强力快干胶水粘合蚀刻片零件和金属轴。过量的快干胶水使用可能导致可动零件会粘住，小心涂胶。
- 取蚀刻片时应特别注意安全，防止利边划伤手指。
- 某些零件表面需贴上水贴纸，请选择在装配的同时进行。
- 推荐模型工具(自备)：胶水，水口剪刀，长咀钳，刀片，锉刀，镊子钳，钻，剪刀，瞬间快干胶。
- 软布同砂纸同时也应该是必备工具。
- 请使用塑料胶水和油漆，模型内不含。
- 谨防小孩吸吮塑料零件，或者将塑料袋套在头上，制作时应将套材远离小孩接触。

水贴纸的使用:

1. 从水贴纸上剪下印花;
2. 将印花放入温水中浸10秒, 然后放在干净布上。
3. 拿着印花纸板将印花移到模型上;
4. 手指蘸水将印花移到适当的位置;
5. 用软布轻压印花直至水干, 汽泡消失。

DECAL APPLICATION

1. Cut off decal from sheet.
2. Dip the decal in tepid water 40° C for about 10 sec. and place on a clean cloth.
3. Hold the backing sheet edge and slide decal onto the model.
4. Move decal into position by wetting decal with finger.
5. Press decal gently down with a soft cloth until excess water and air bubbles are gone.



cyanoacrylate glue
使用强力胶



weight
配重



make hole
钻孔



cut / remove
切除



option
选择



no cement
不涂胶水



decal
贴纸



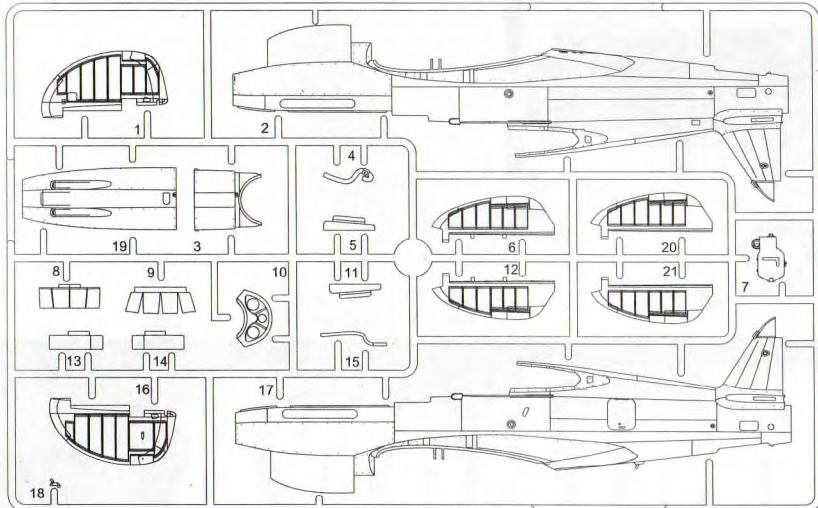
bend
弯曲



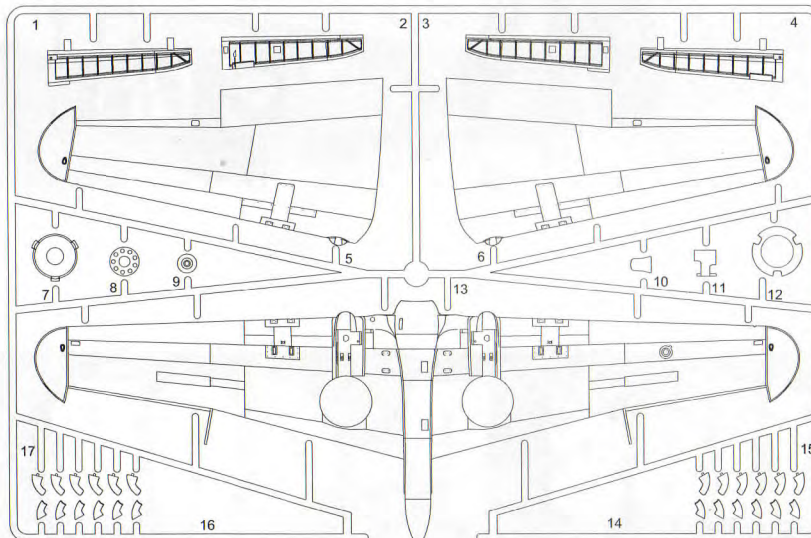
file / sand
锉平

部品图 Parts

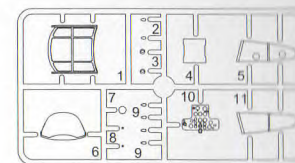
A



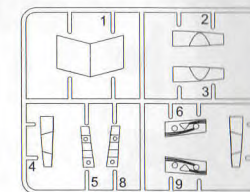
B



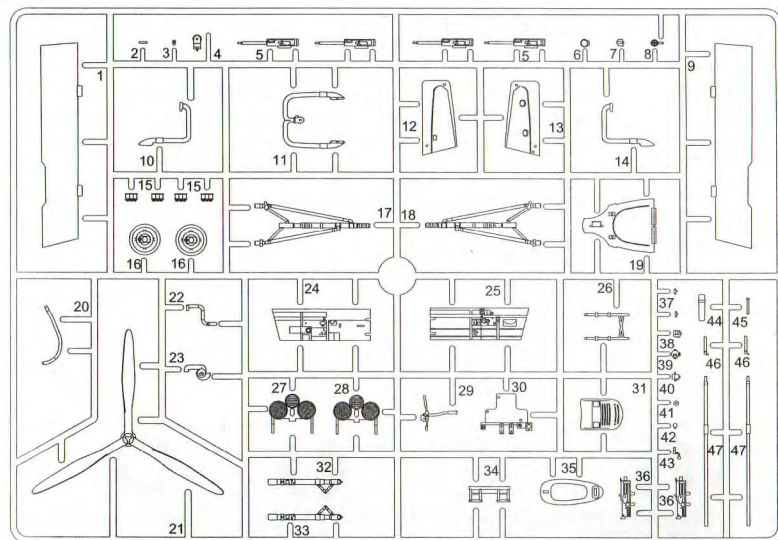
E



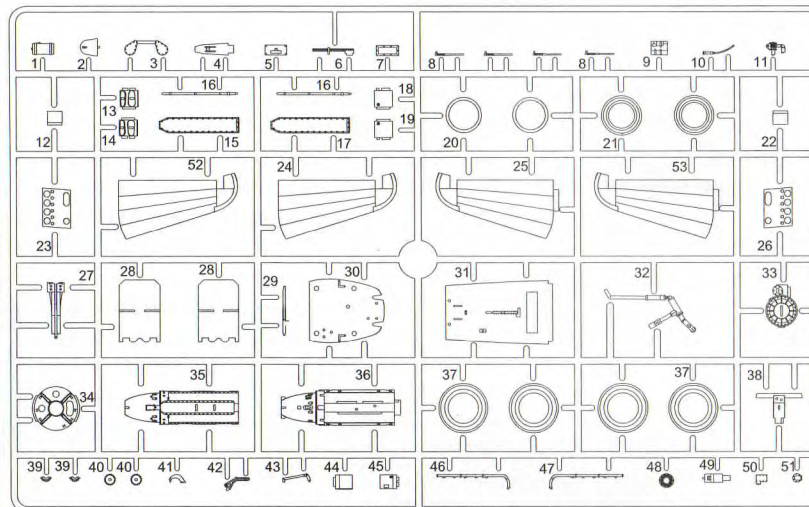
F



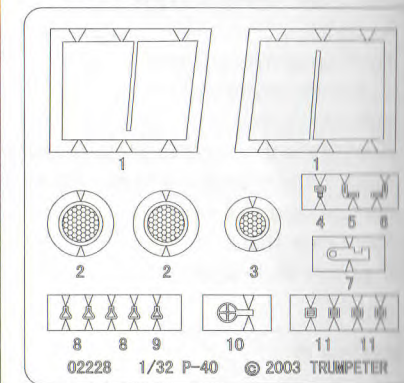
C



D



蚀刻片
Photo etched parts (PE)



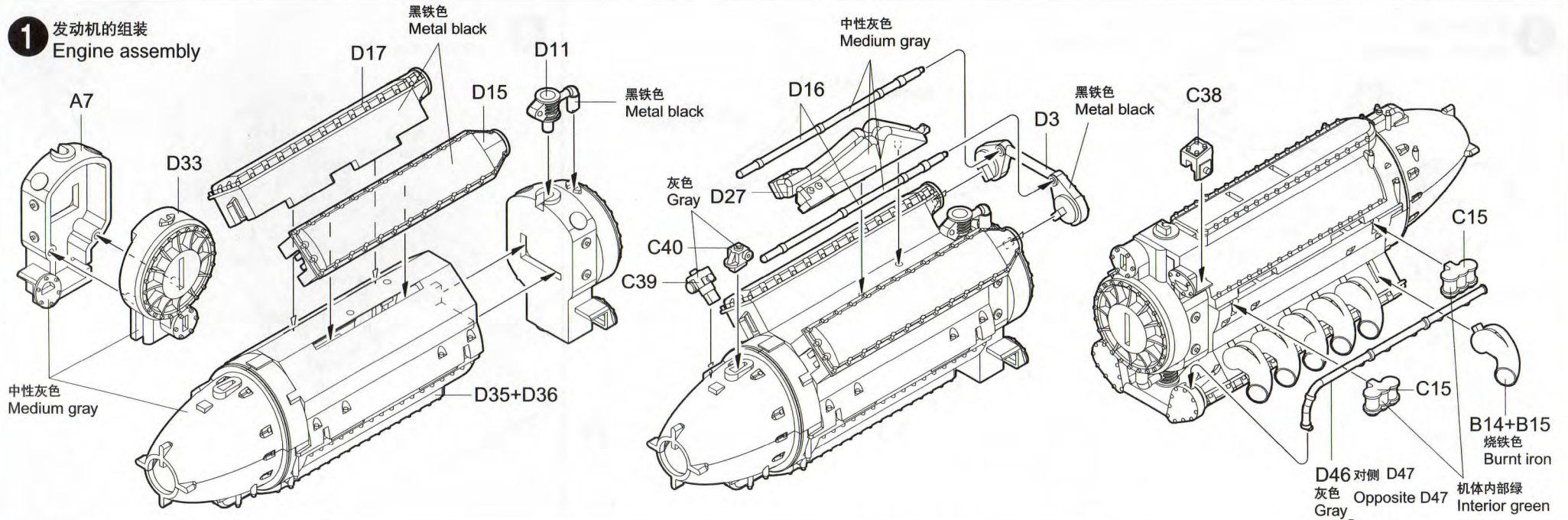
水贴纸
Decal 1PCS

轴 $\phi 1.0 \times 11.5\text{mm}$
Shaft $\phi 1.0 \times 11.5\text{mm}$ 1PCS

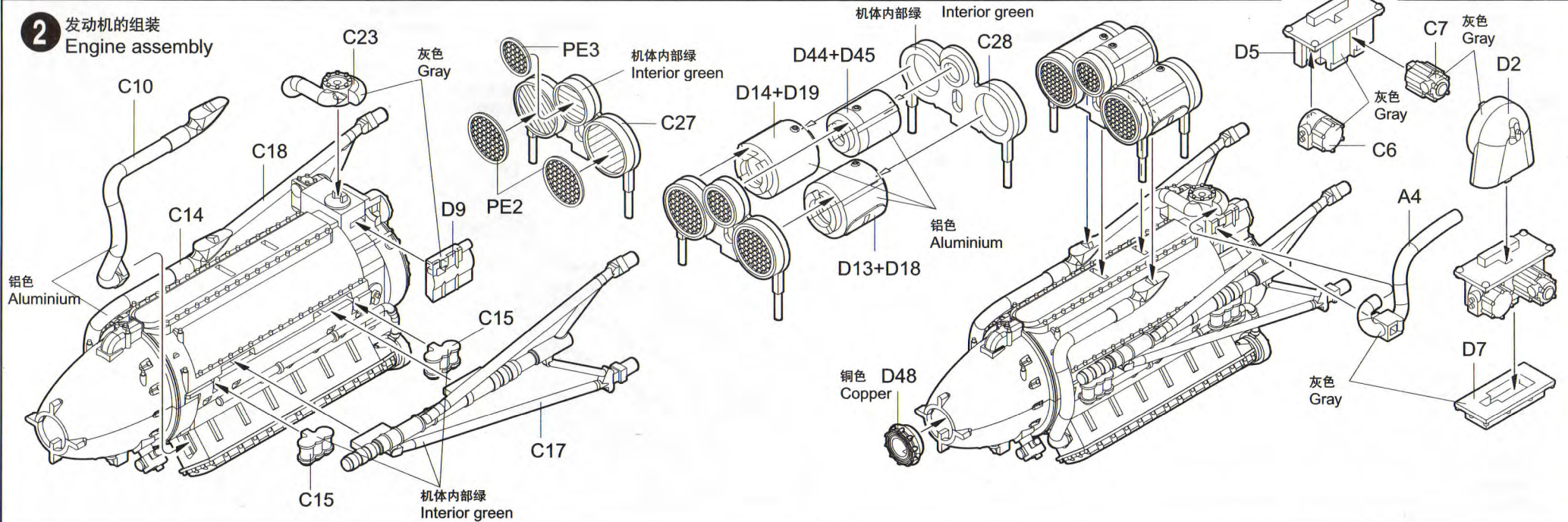
菲林片
Film



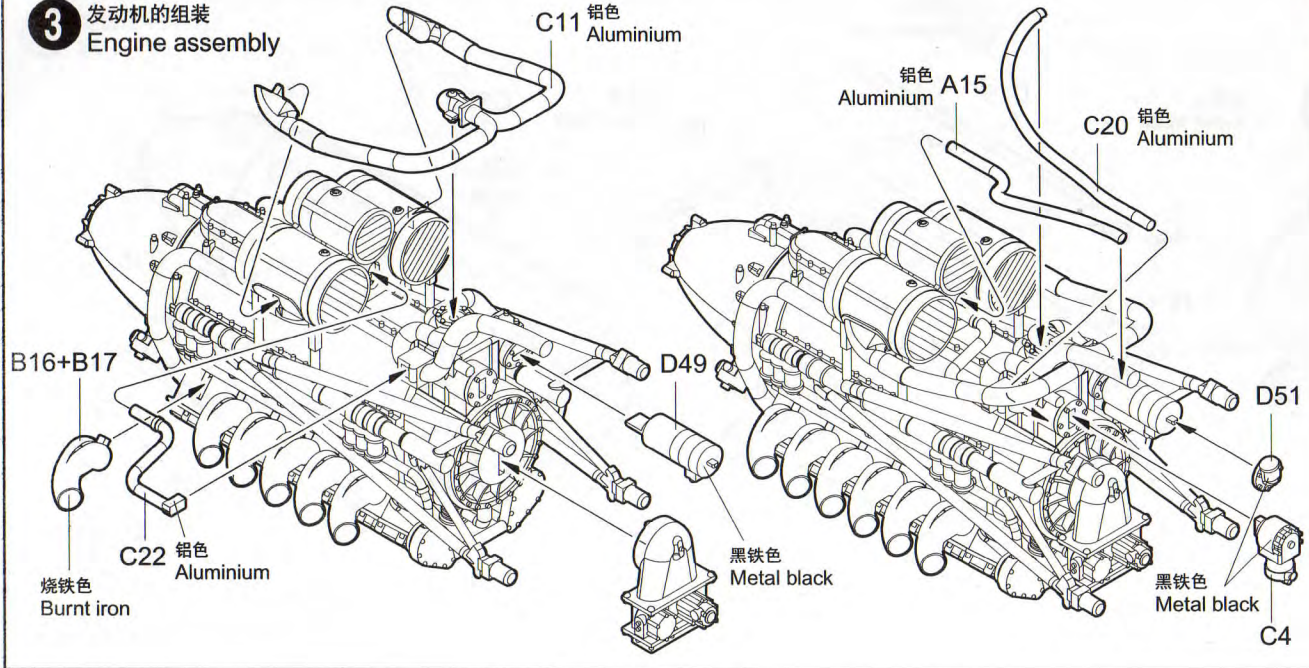
1 发动机的组装
Engine assembly



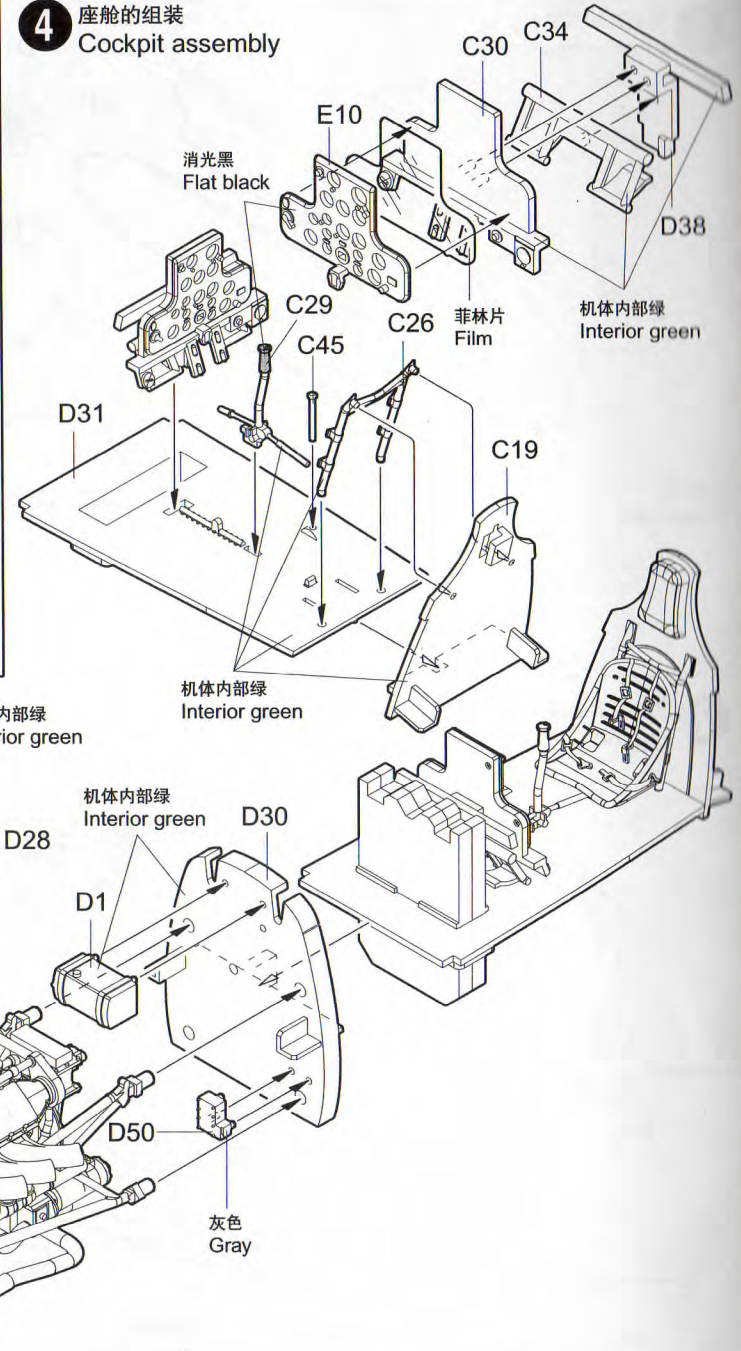
2 发动机的组装
Engine assembly



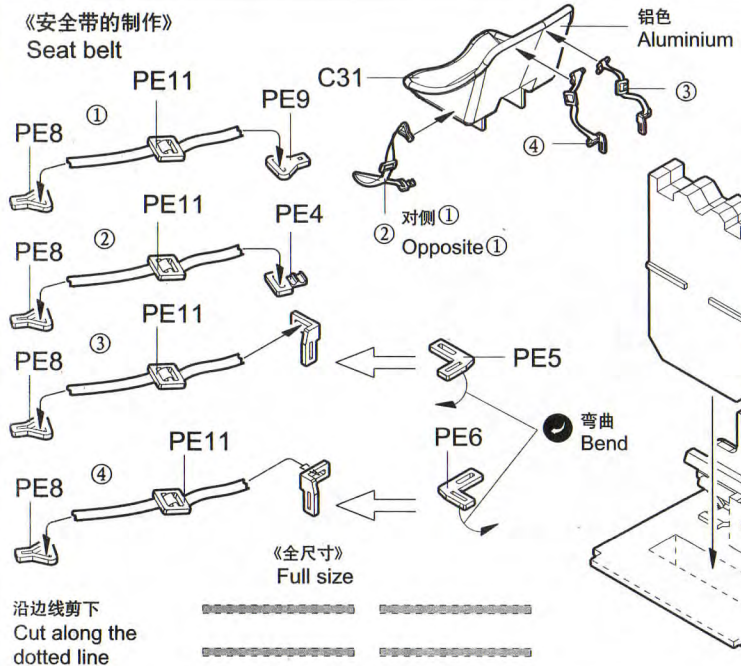
3 发动机的组装 Engine assembly



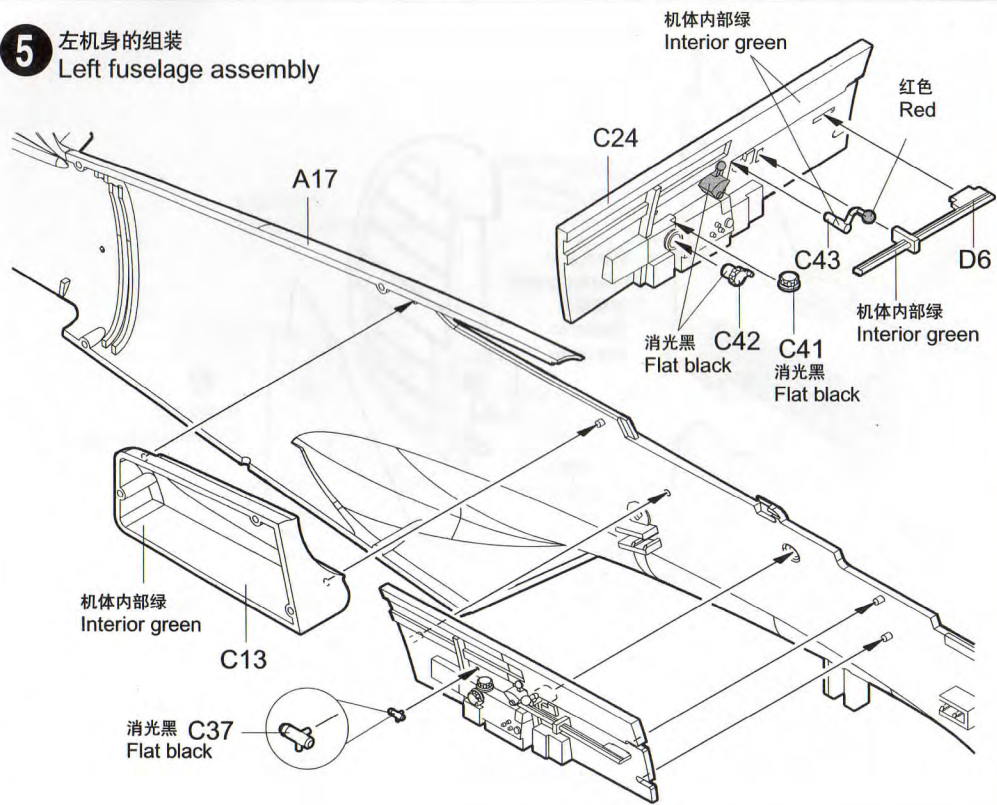
4 座舱的组装 Cockpit assembly



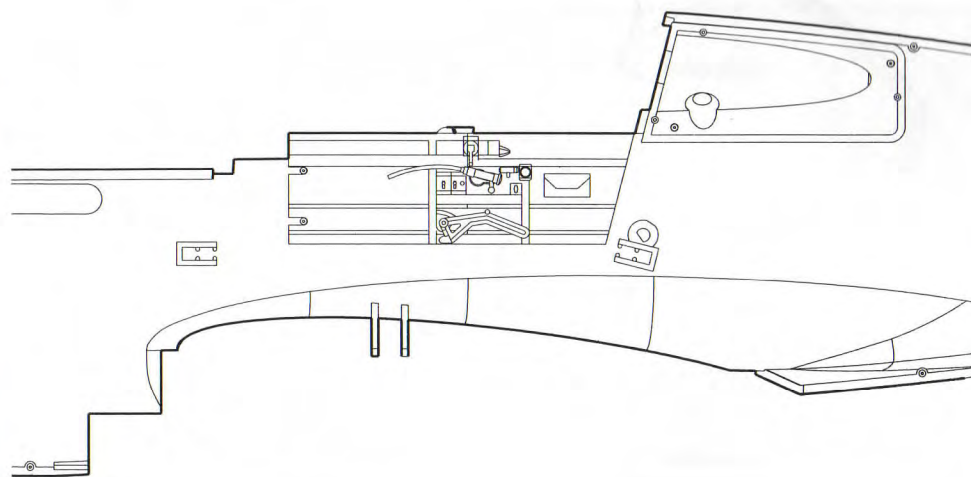
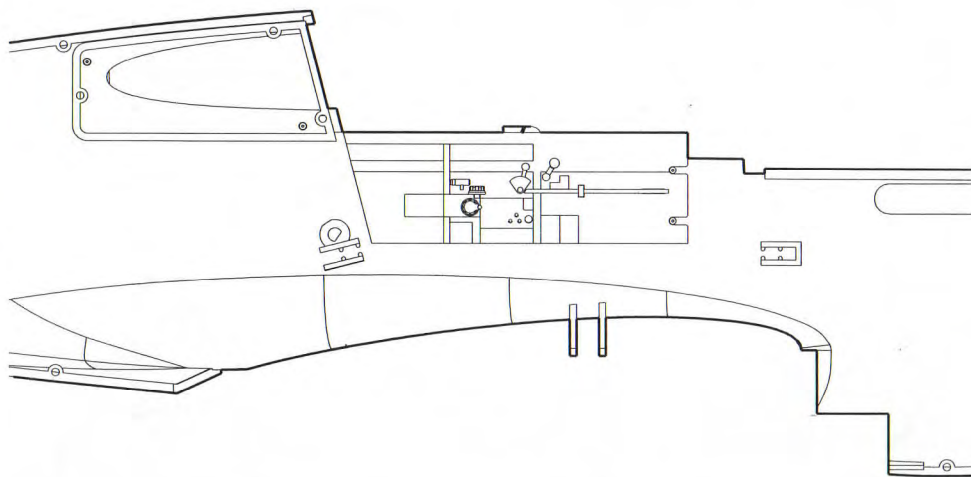
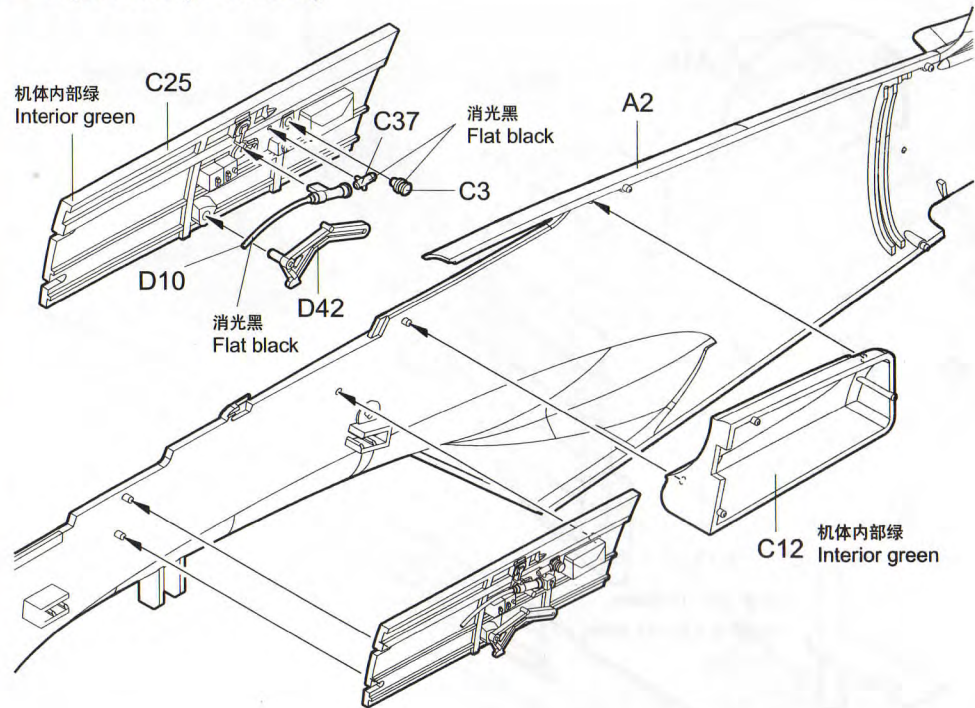
《安全带的制作》 Seat belt



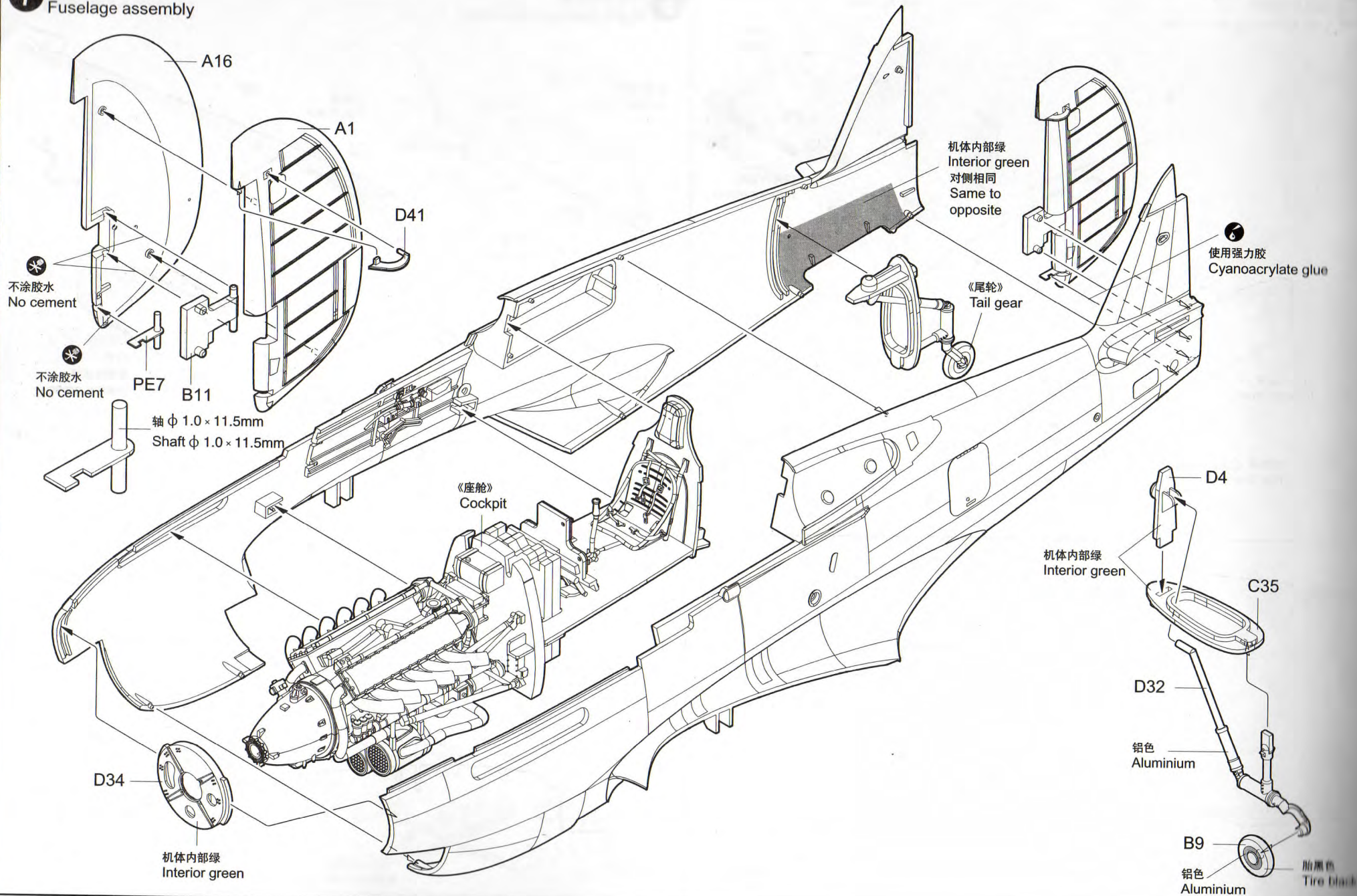
5 左机身的组装
Left fuselage assembly



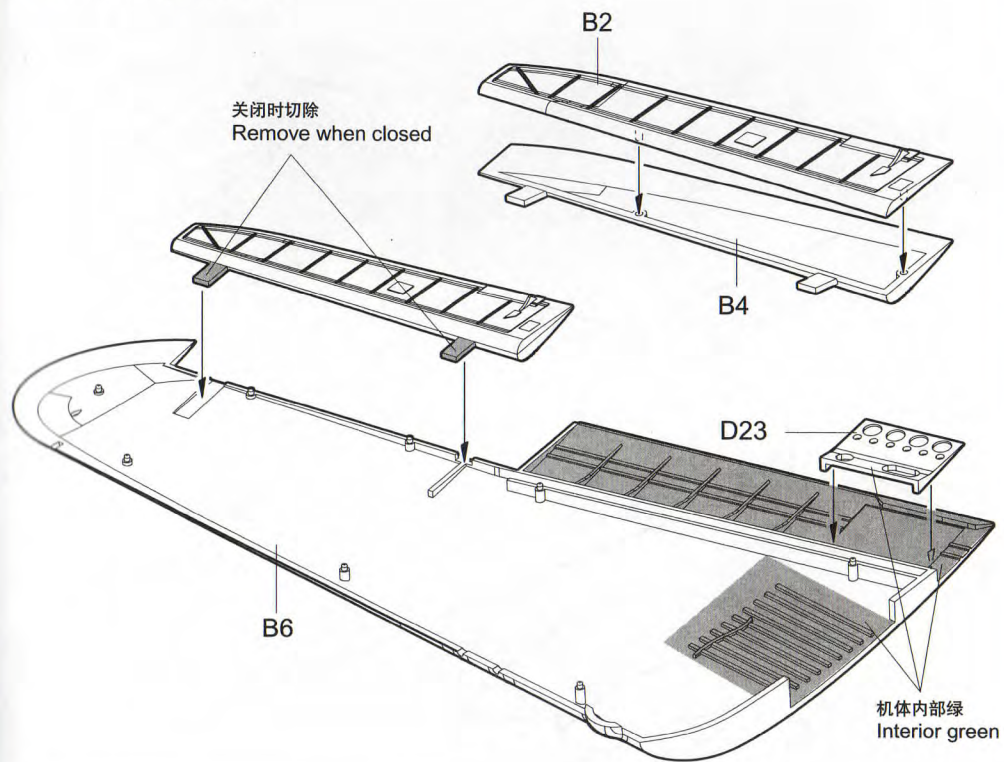
6 右机身的组装
Right fuselage assembly



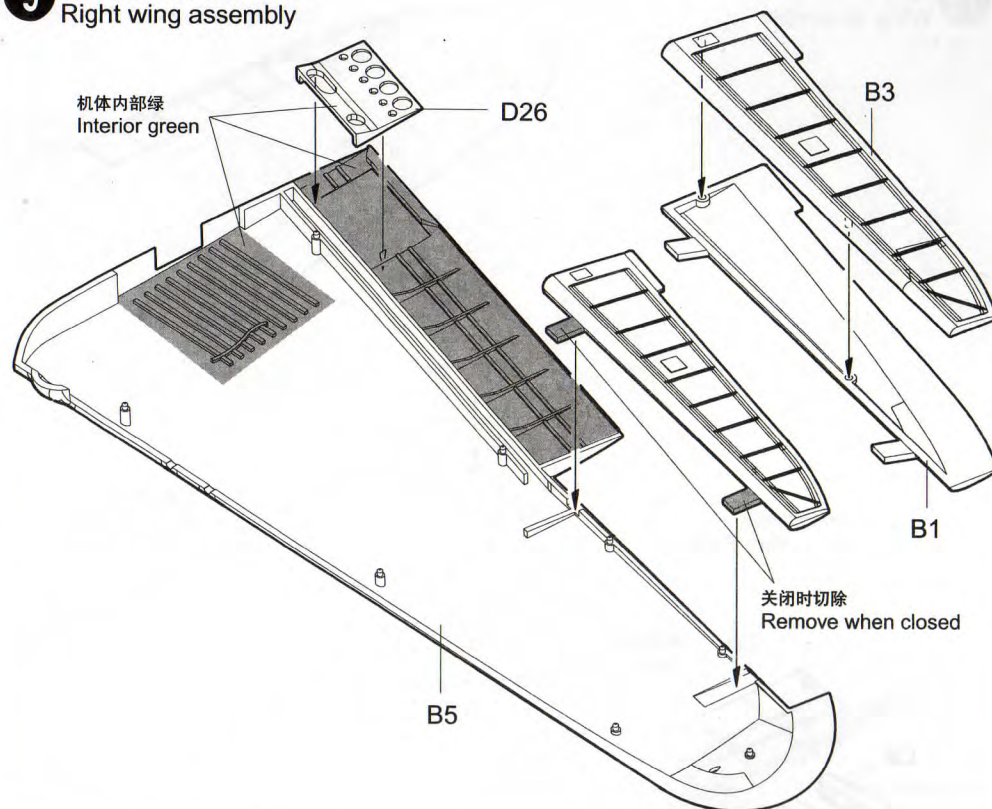
7 机身的组装
Fuselage assembly



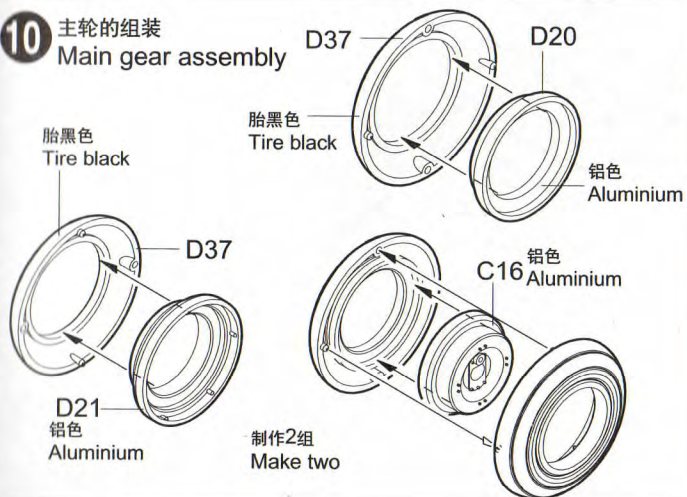
8 左机翼的组装
Left wing assembly



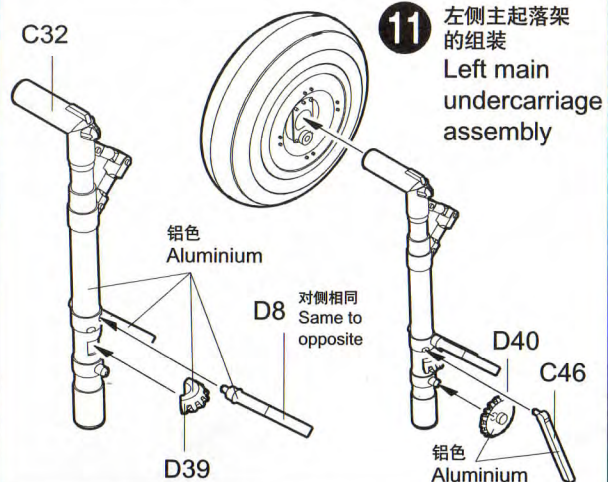
9 右侧机翼的组装
Right wing assembly



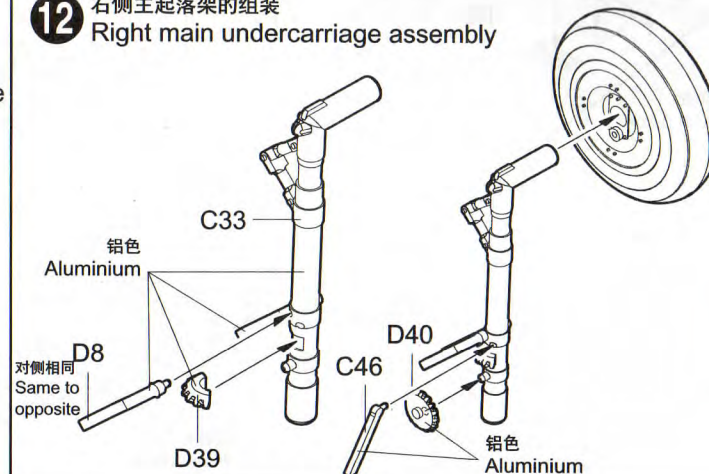
10 主轮的组装
Main gear assembly



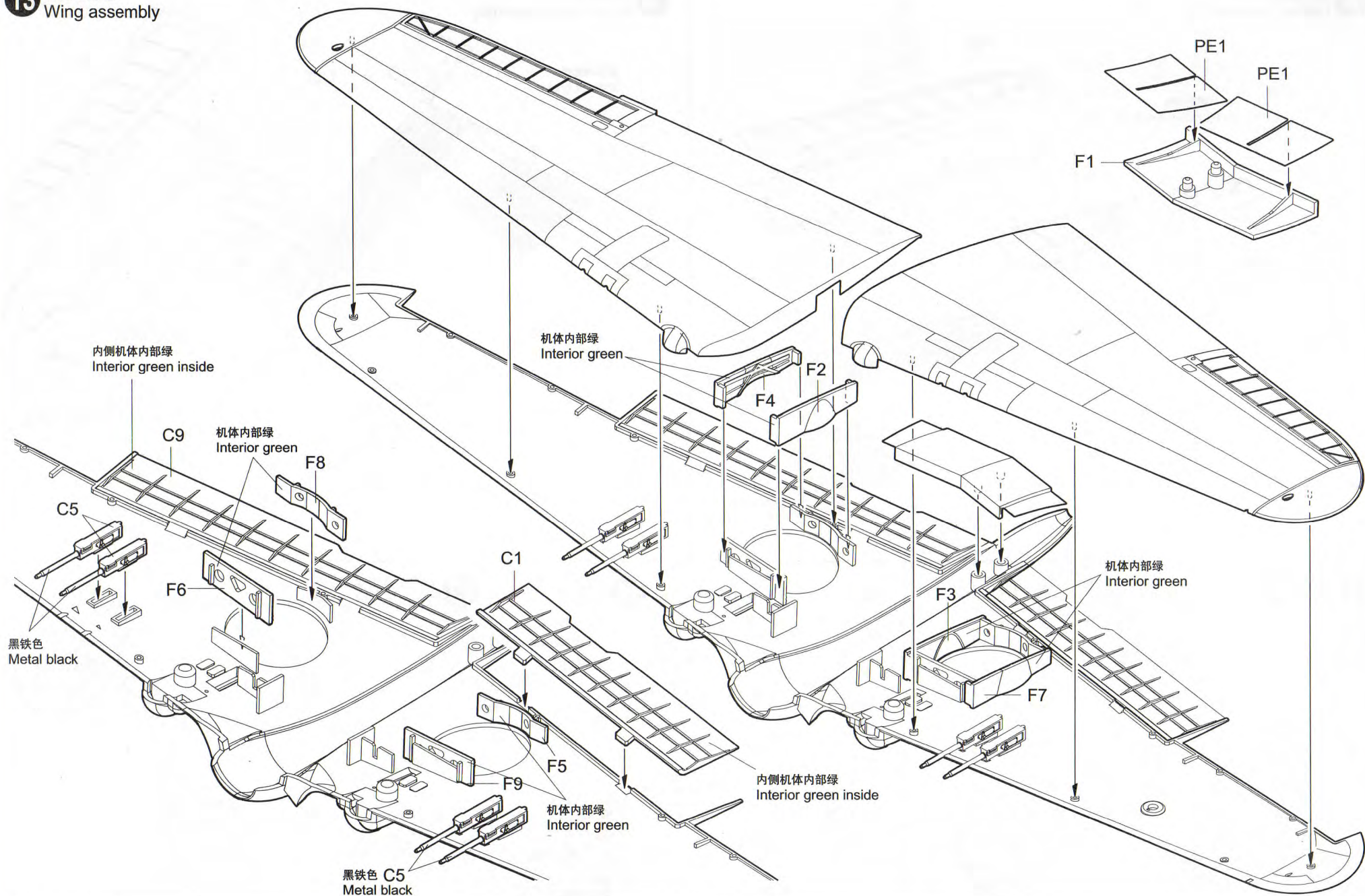
11 左侧主起落架的组装
Left main undercarriage assembly



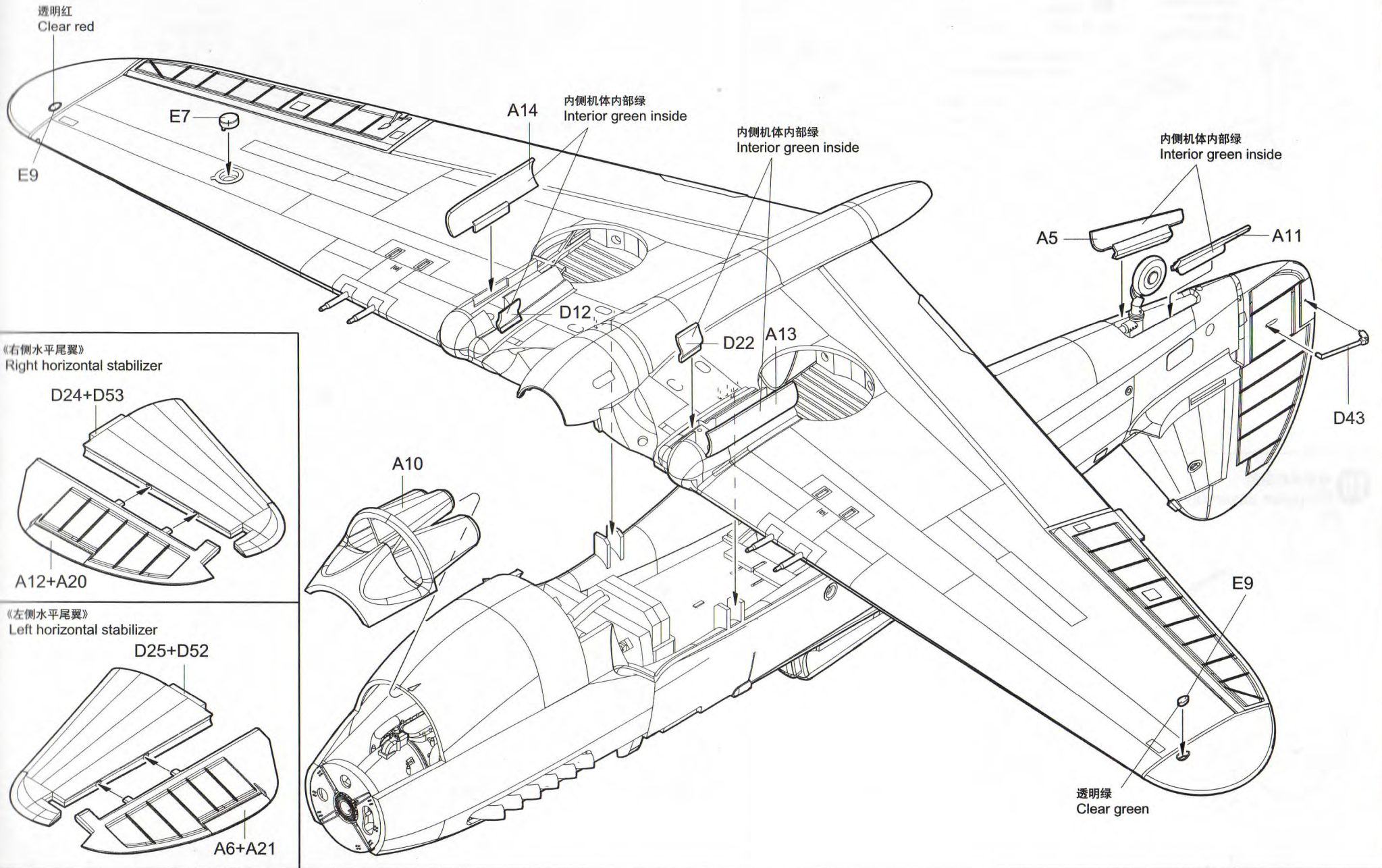
12 右侧主起落架的组装
Right main undercarriage assembly



13 机翼的组装
Wing assembly

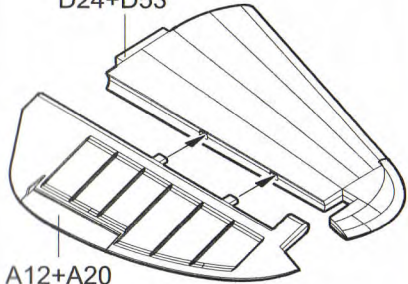


14 机翼的安装
Wing installation



《右侧水平尾翼》
Right horizontal stabilizer

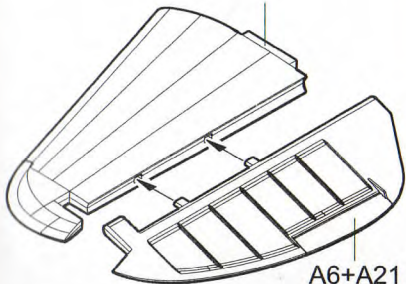
D24+D53



A12+A20

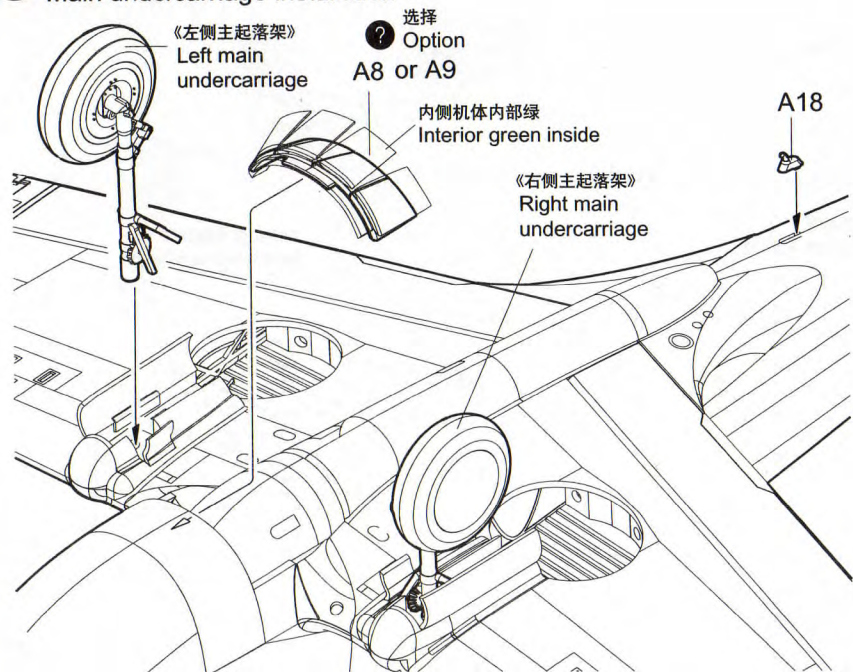
《左侧水平尾翼》
Left horizontal stabilizer

D25+D52

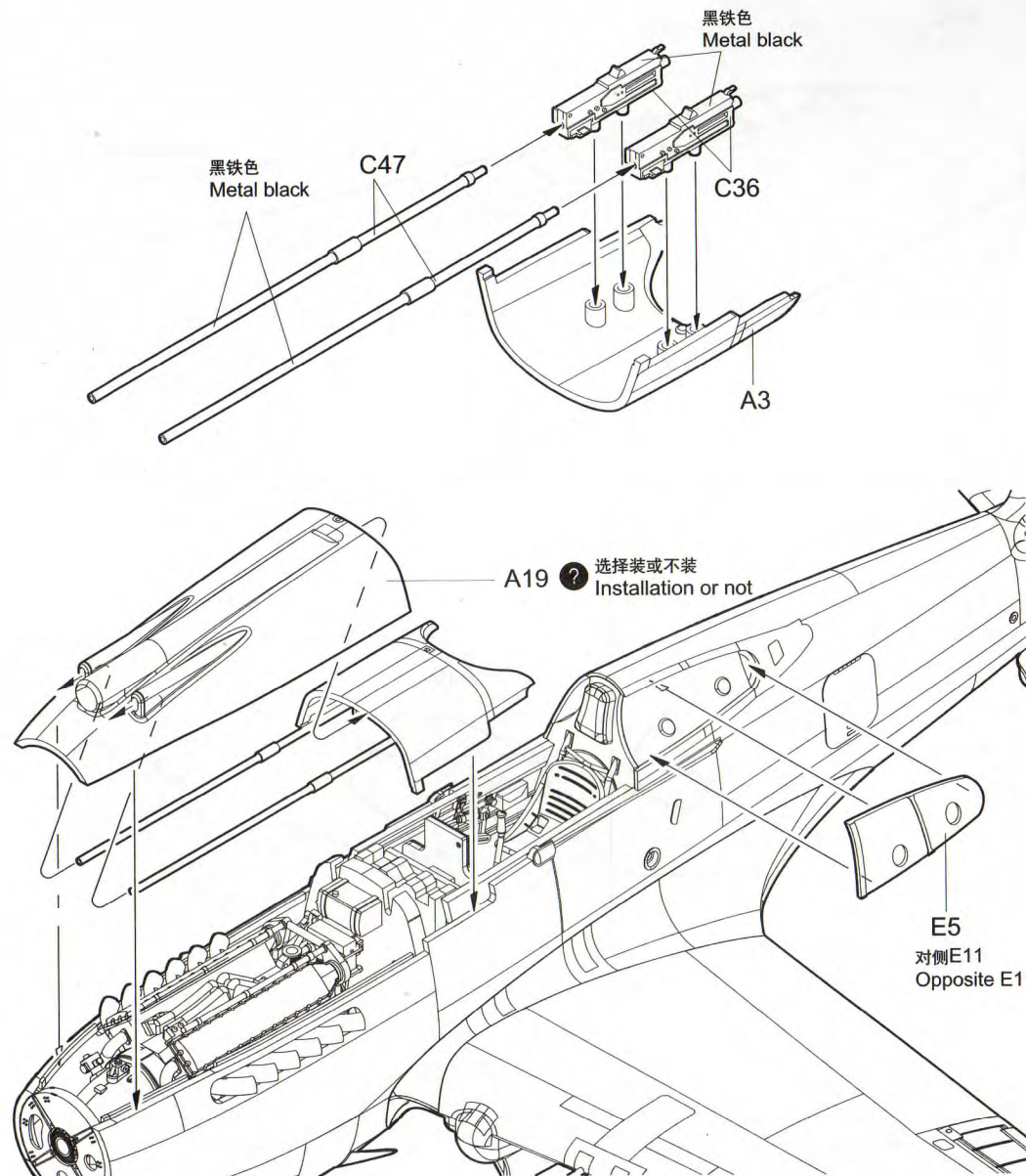


A6+A21

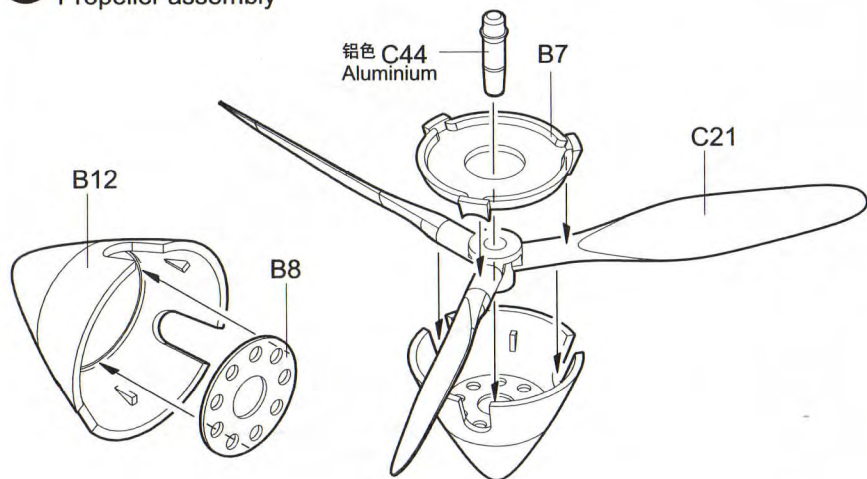
15 主起落架的安装
Main undercarriage installation



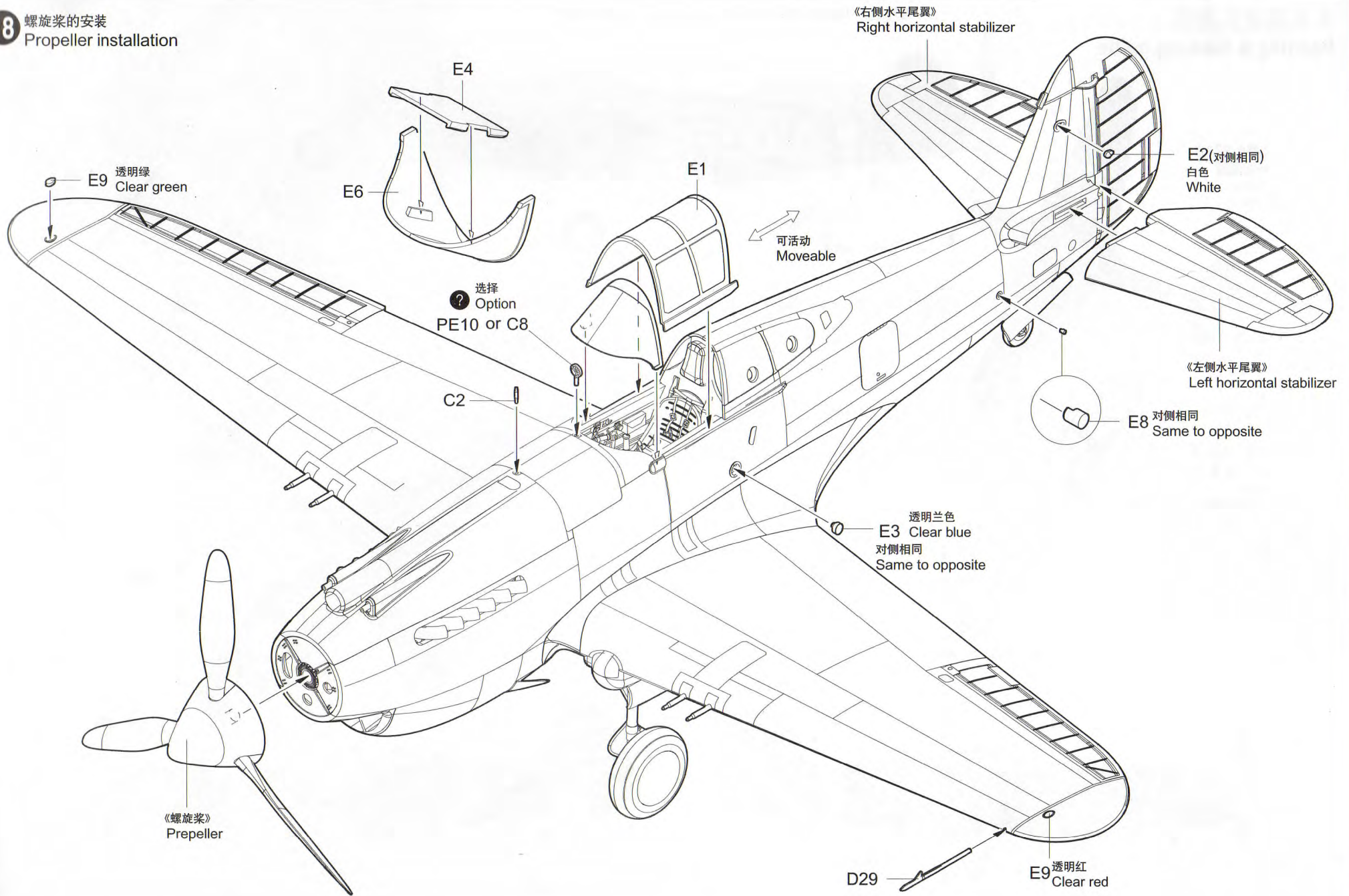
17 机枪的安装
Machine gun installation



16 螺旋桨的组装
Propeller assembly



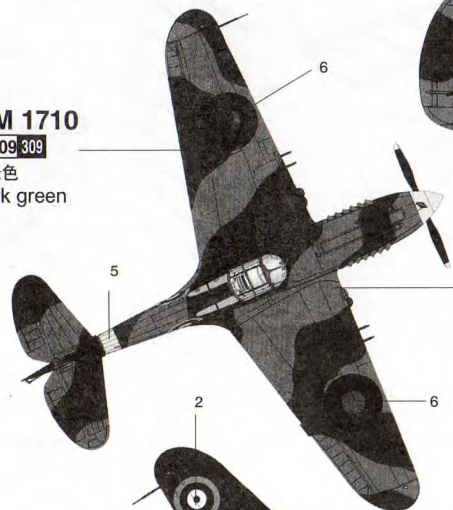
18 螺旋桨的安装
Propeller installation



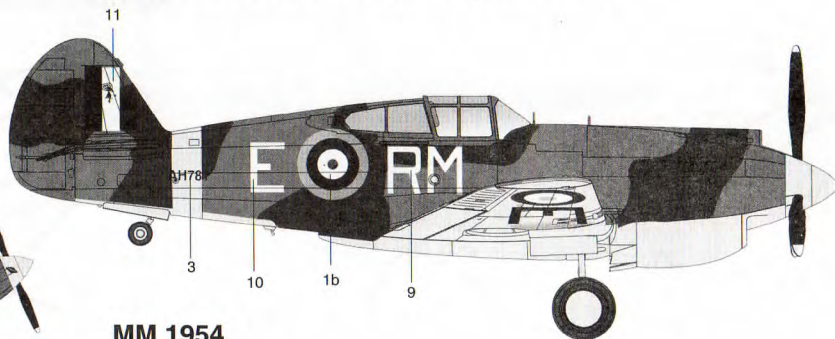
涂装同标贴指示 Painting & Marking guide

使用色: Testors MM and Gunze Sangyo colors used

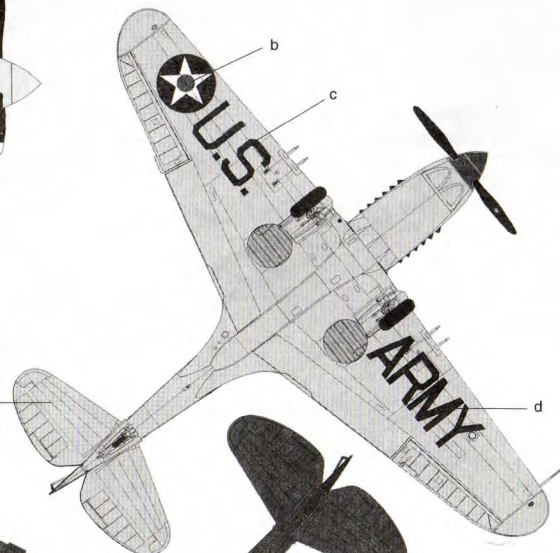
MM 1710
H 809 309
深绿色
Dark green



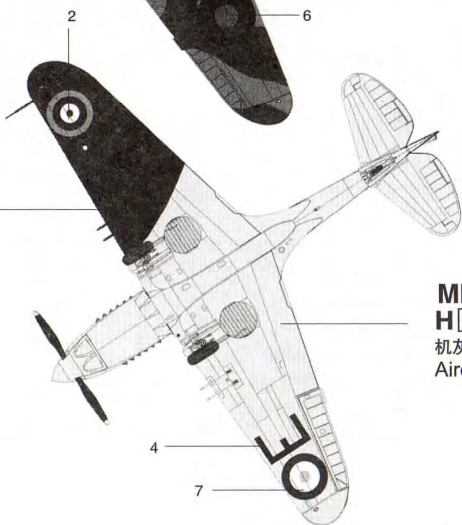
MM 1954
H 72 22
深土色
Dark earth



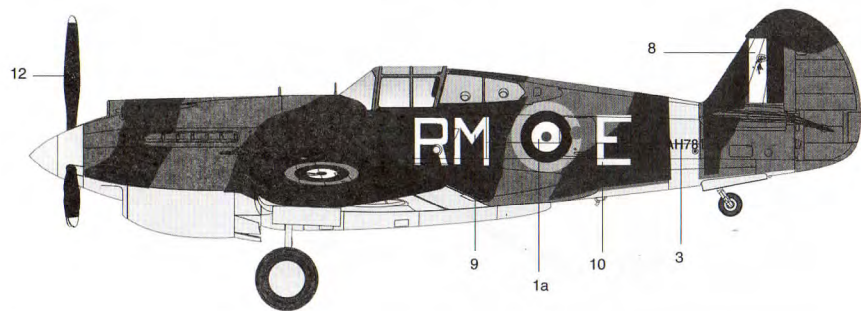
MM 1725
H 306 306
灰色
Neutral gray



MM 1747
H 12 33
哑黑色
Flat black



MM 1731
H 62 56
机灰色
Aircraft gray



MM 1711
H 804 304
橄榄绿色
Olive drab

