



Vor dem Zusammenbau lesen!

READ BEFORE ASSEMBLY

CAUTION

- Read carefully and fully understand the instructions before commencing assembly. A supervising adult should also read the instructions if a child assembles the model.
- When assembling this kit, tools including knives used. Extra care should be taken to avoid personal injury.
- Keep out of reach of small children. Children must not be allowed to suck any part, or pull vinyl bag over their heads.



Be Careful



Optional



Remove



Do Not Cement



Instant Glue for Metal

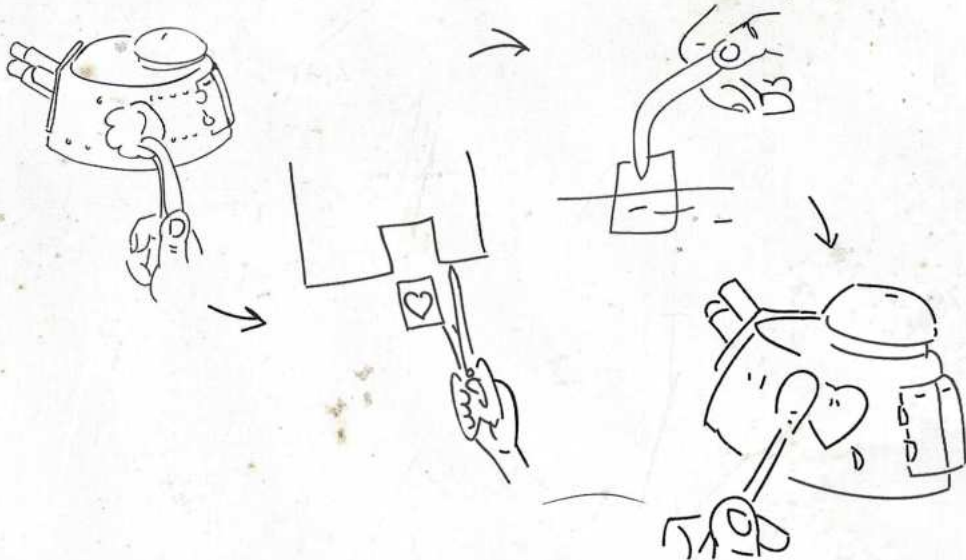
COLORS

AMIG		Color Name
0046	A	Black
0195	B	Silver
0902	C	Dunkelgelb
0914	D	Rotbraun
0001	E	Olivgrün
0030	F	White
0133	G	Leather
0045	H	Gun Metal

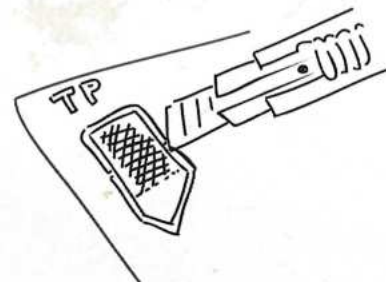
AMIG		Color Name
0035	I	Wood
0043	J	Yellow
0093	K	Transparent Red
0197	L	Brass
0092	M	Transparent Green
0042	N	Rust
0033	O	Rubber
0132	P	Canvas
0908	Q	Grey Base

APPLYING DECALS

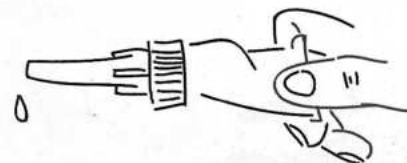
1. Clean the model surface with a wet cloth.
2. Cut out each decal design from sheet, and dip it in tepid water for 15~20 sec.
3. Hold the backing sheet edge and slide decal onto the model.
4. Move decal into position by wetting decal with finger.
5. Press decal gently down with a soft cloth until excess water and air bubbles are gone.



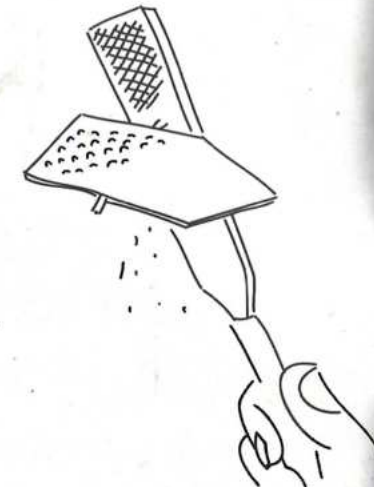
REMOVING PE



Be careful not to hurt when removing PE parts.

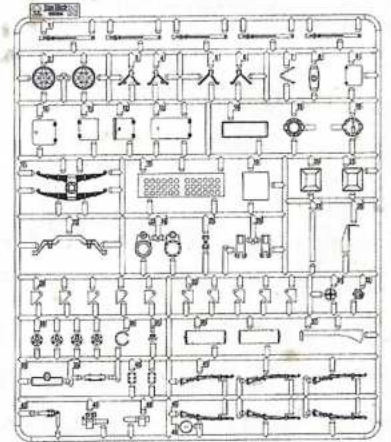
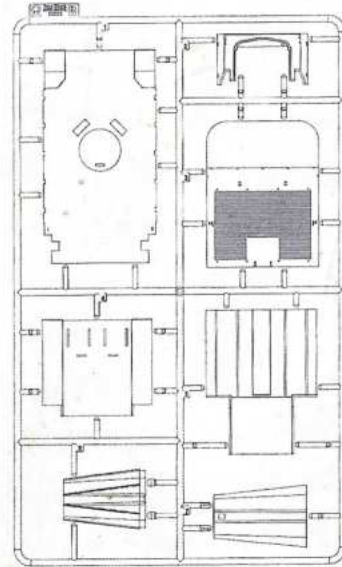
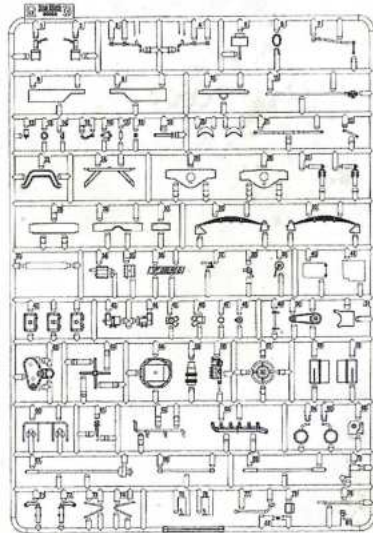
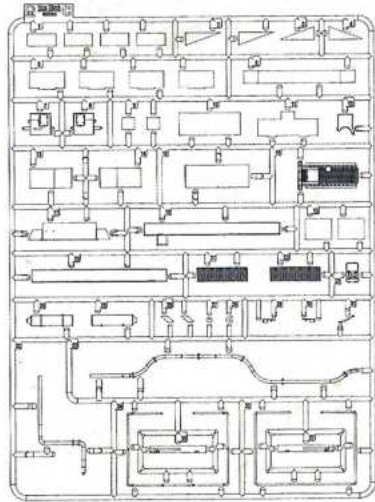
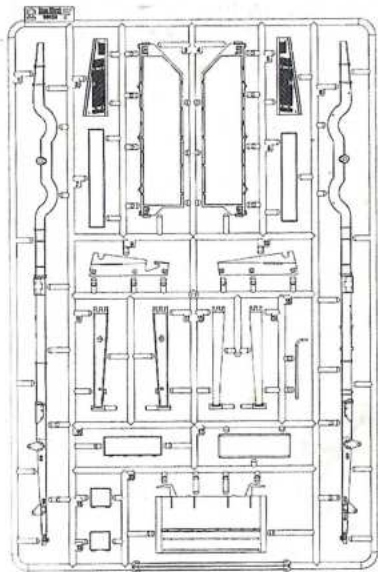


Secure using instant glue (not included).

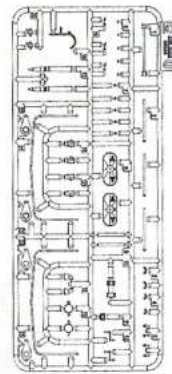
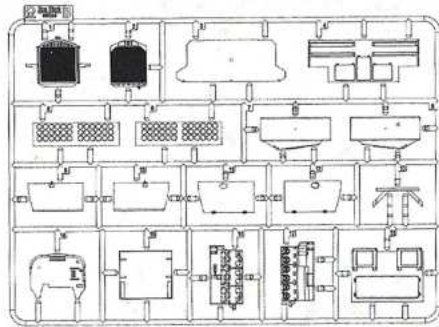
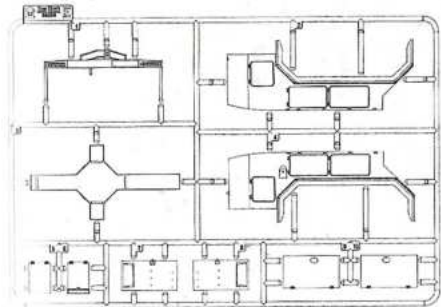


Finish using file.

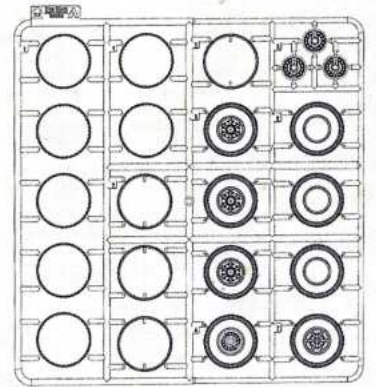
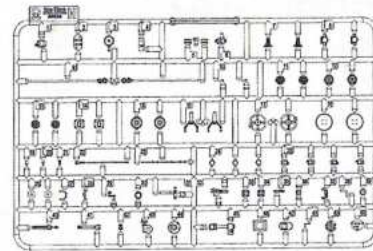
PARTS



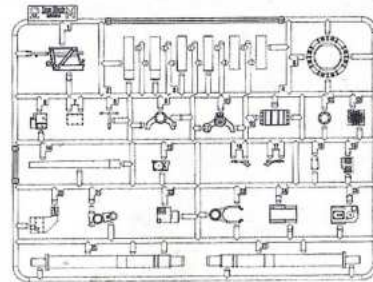
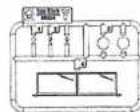
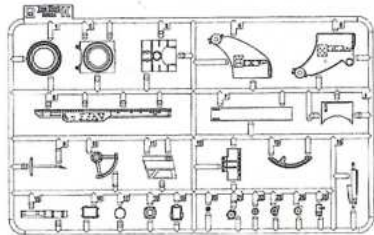
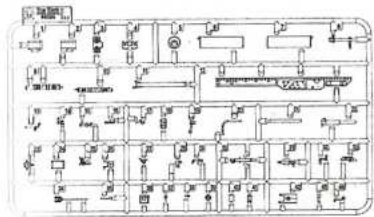
X2



X2



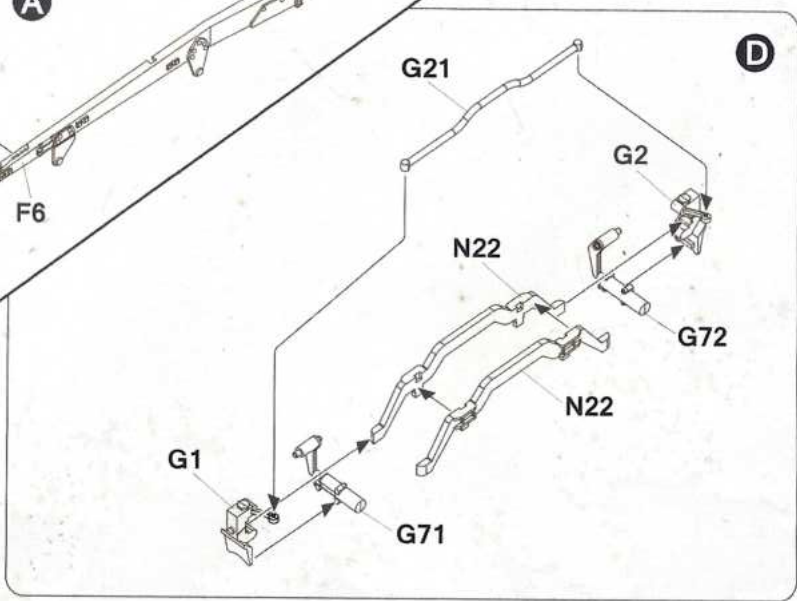
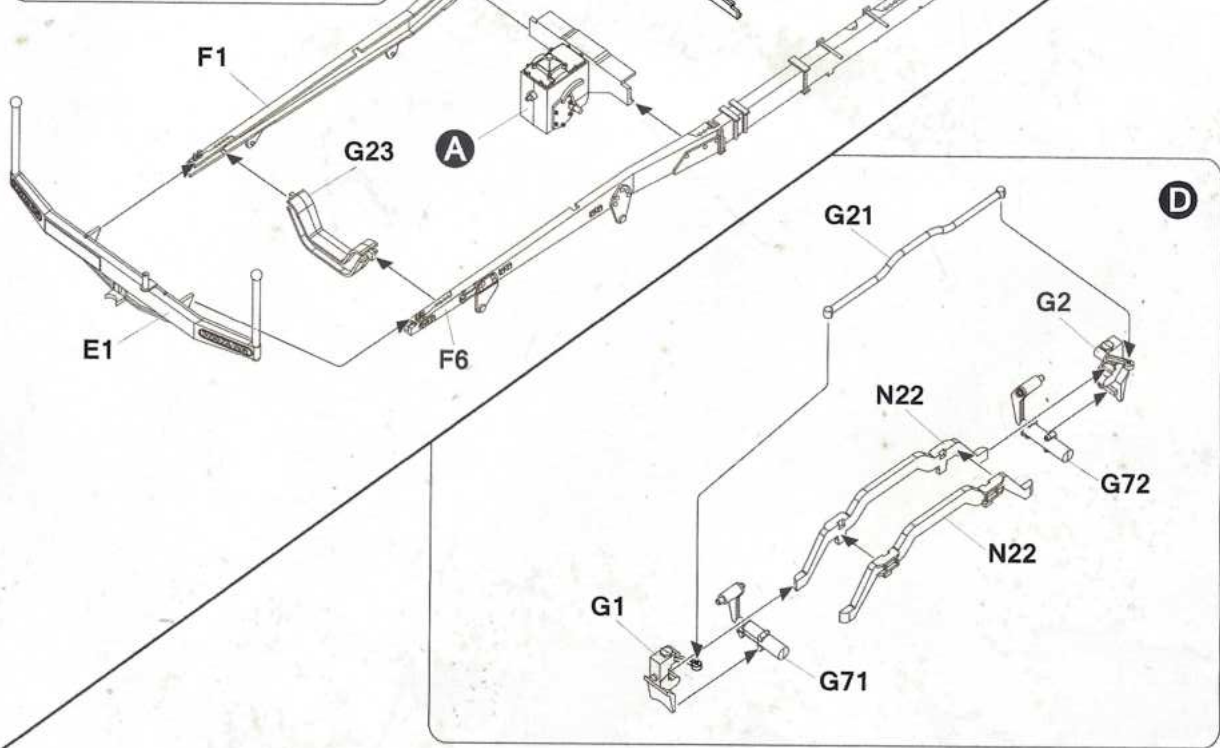
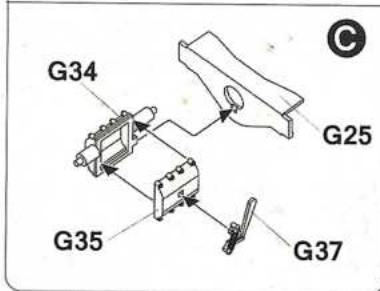
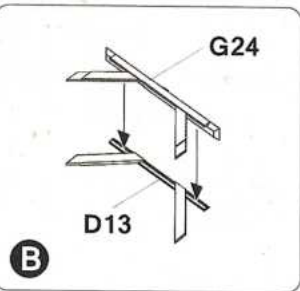
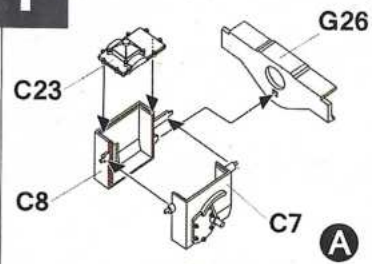
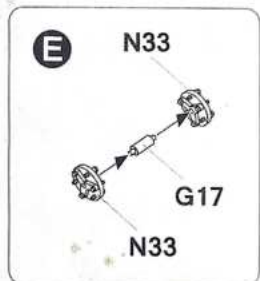
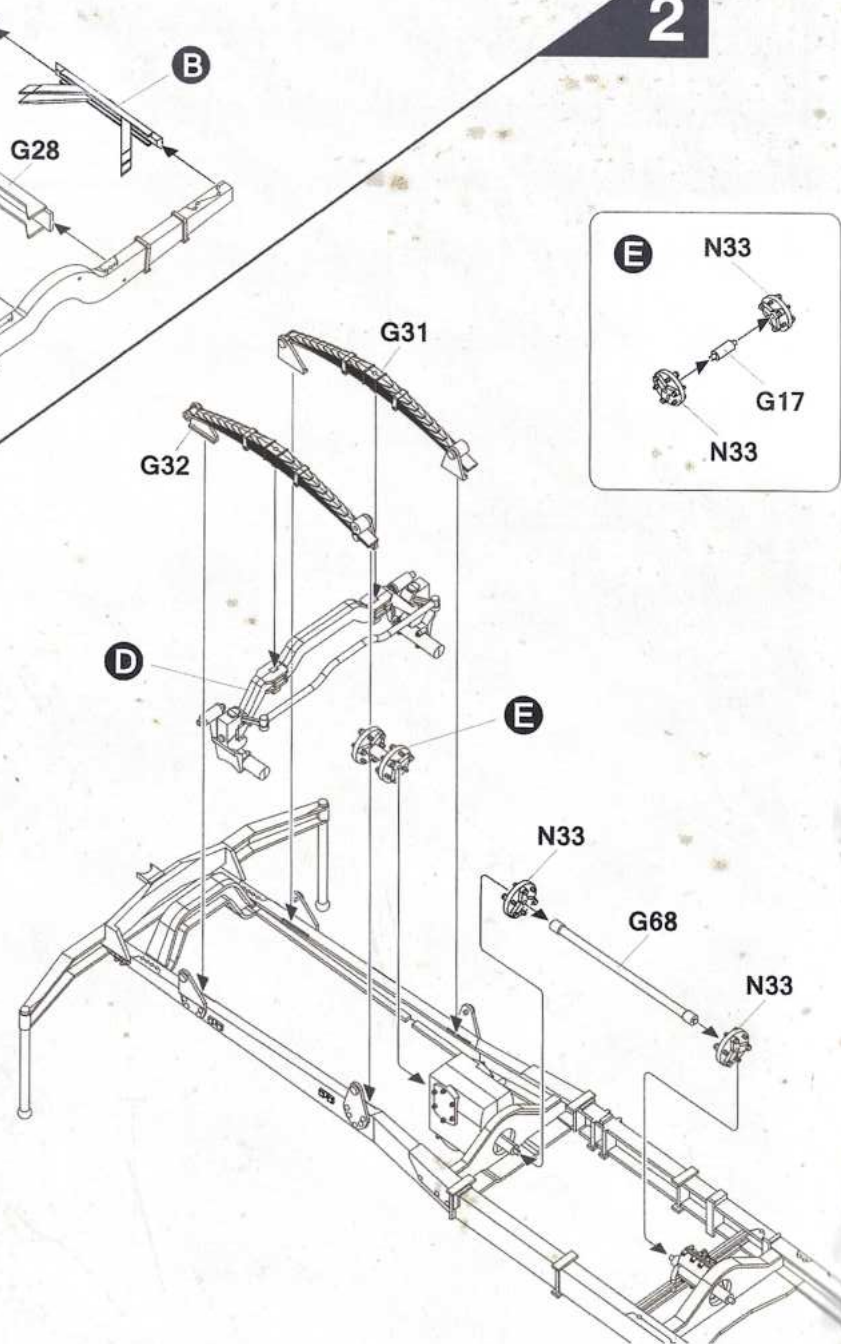
X2

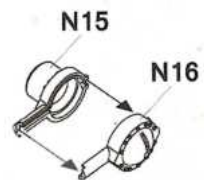


TP



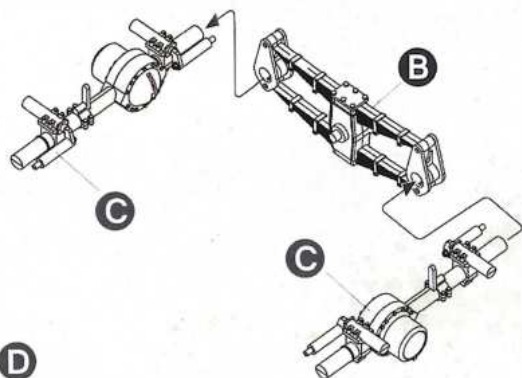
Decal

1**2****3**

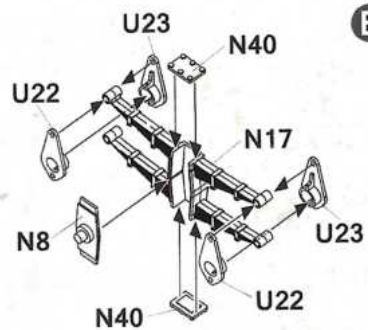


A

Make 2

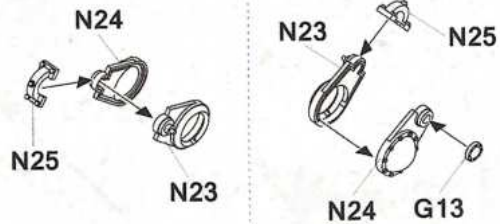


D

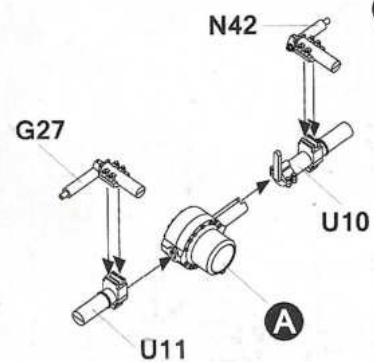


B

Make 2

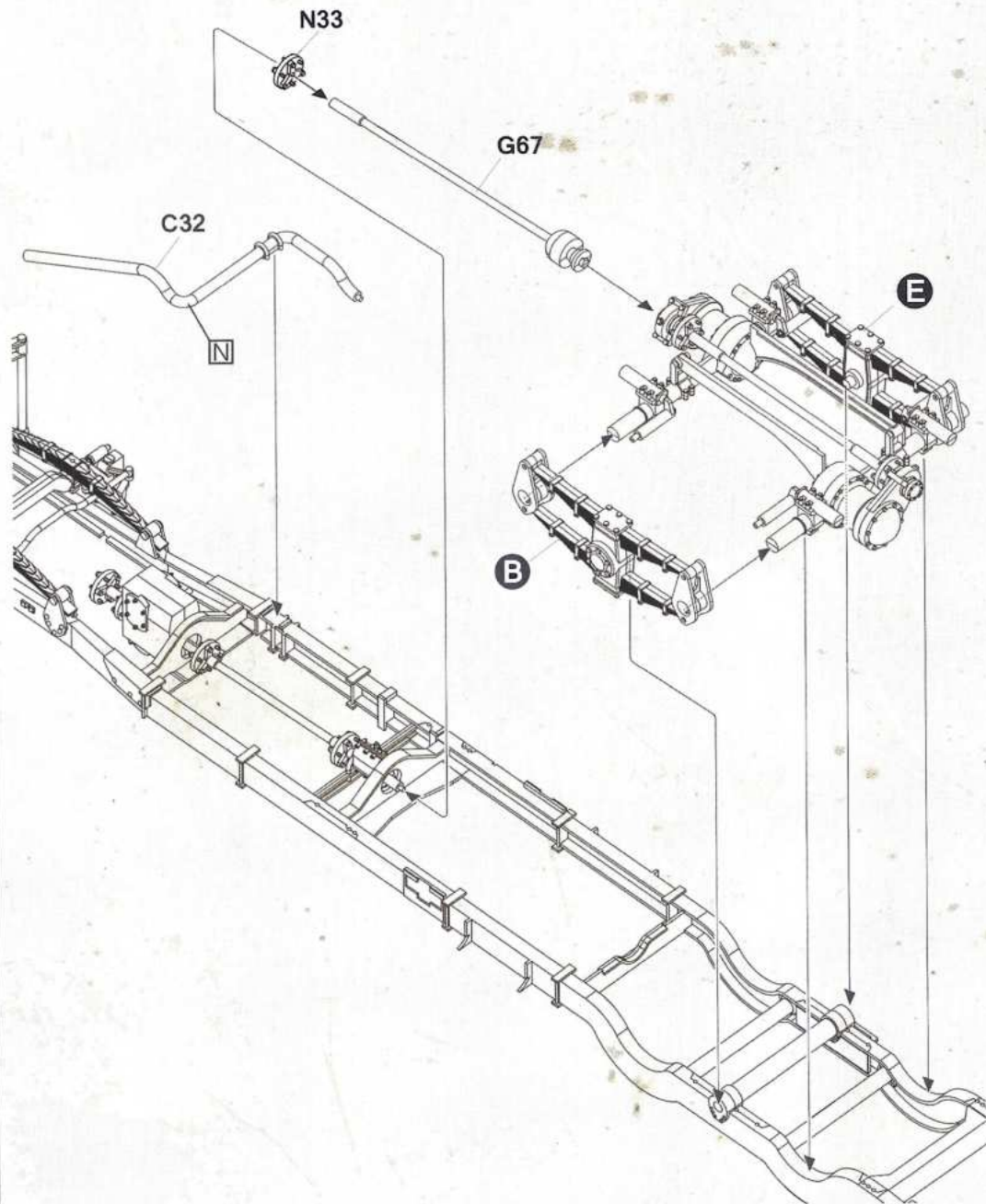
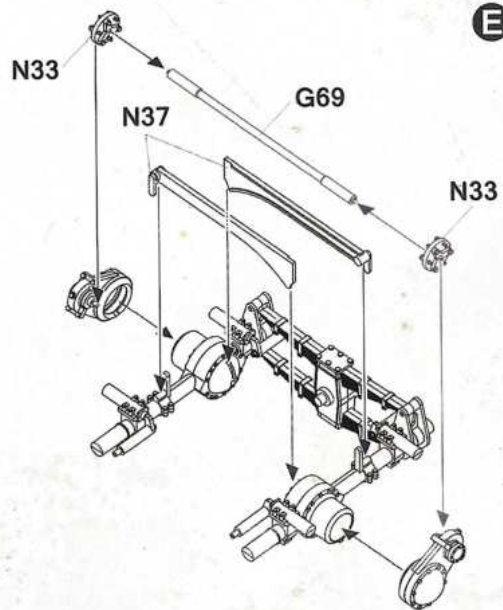


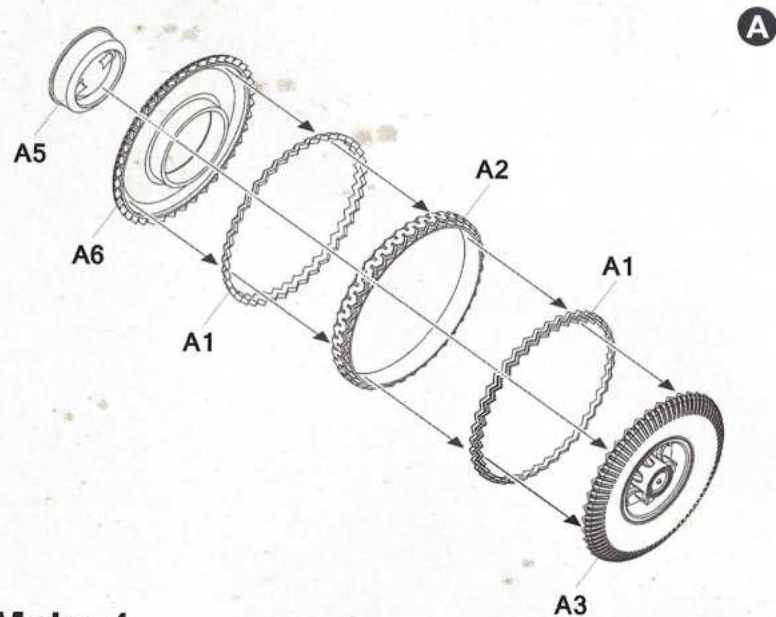
E



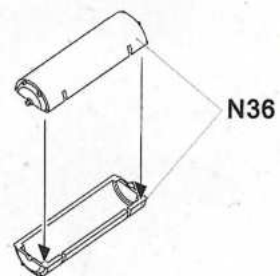
C

Make 2

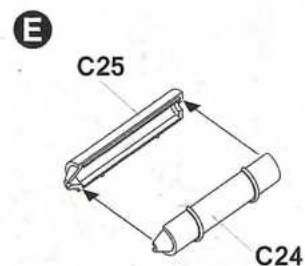
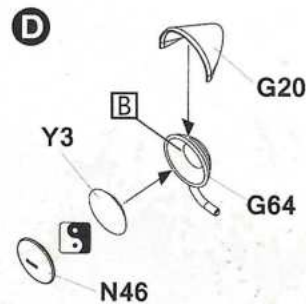
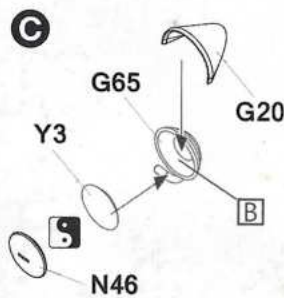
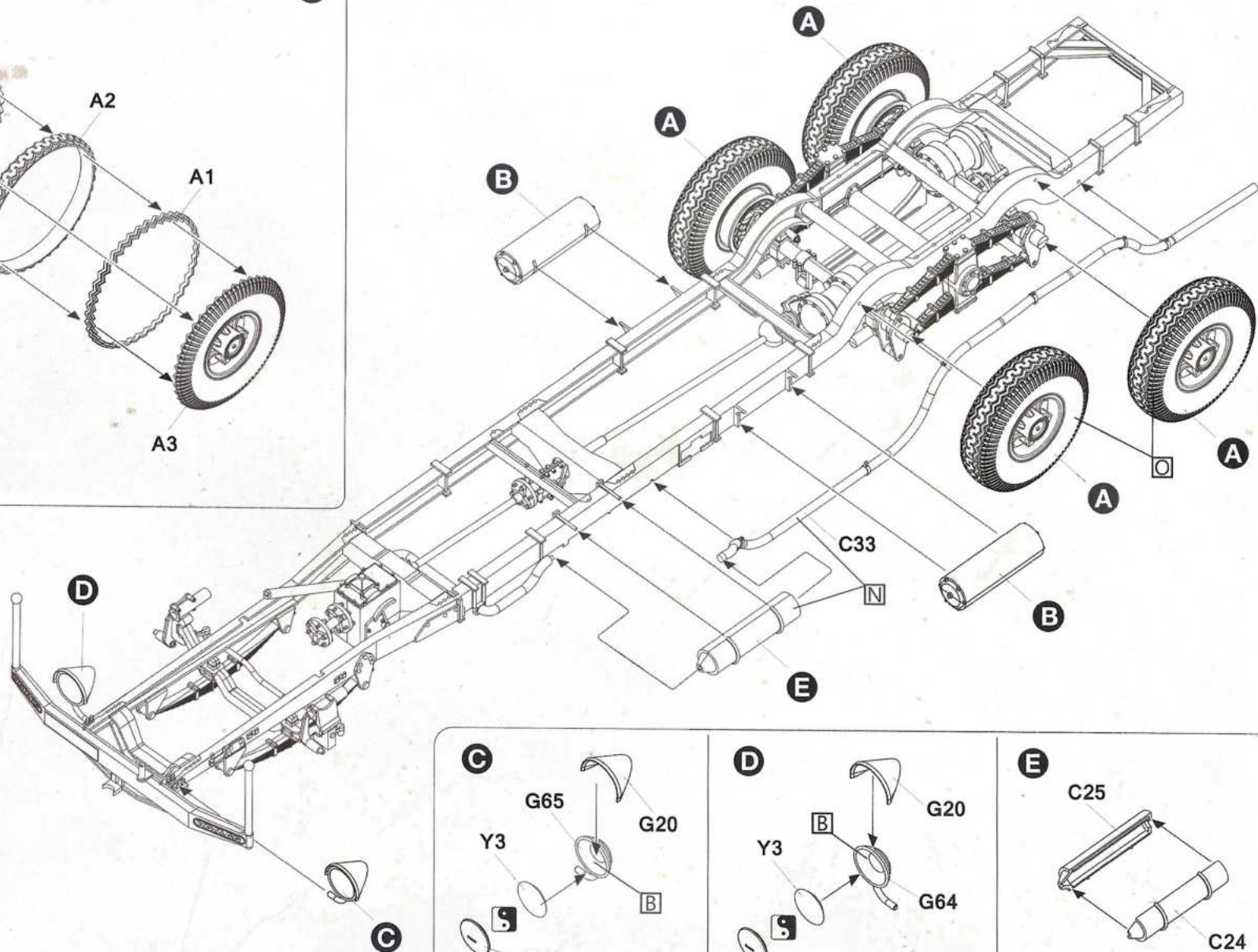




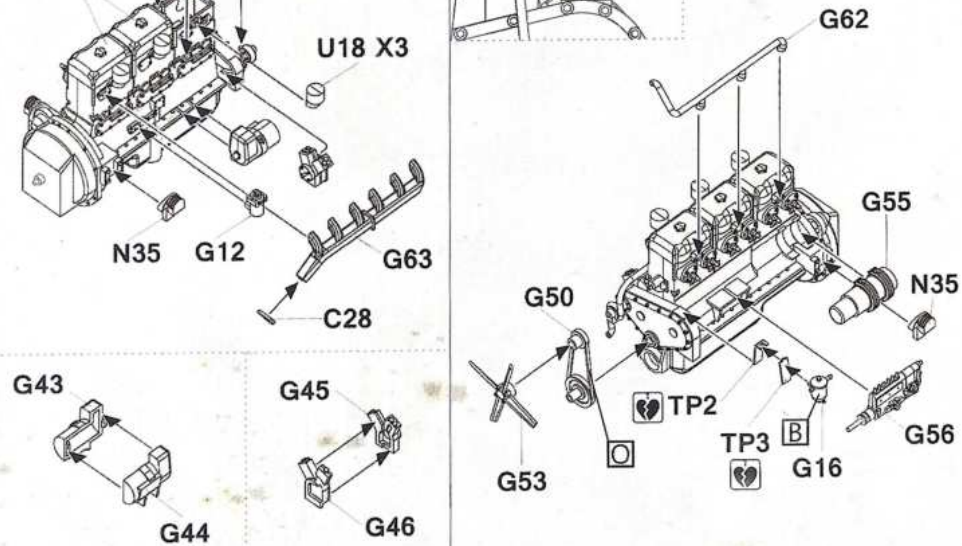
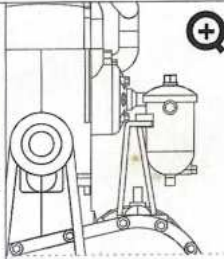
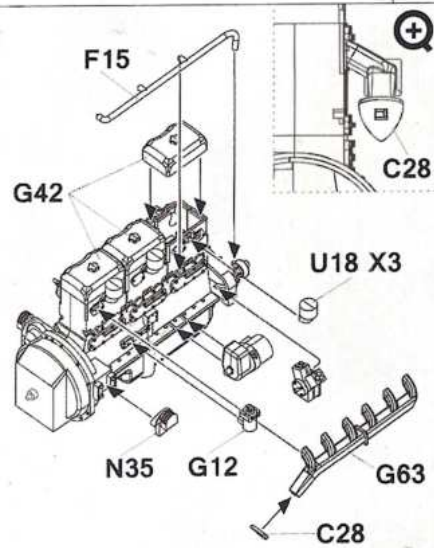
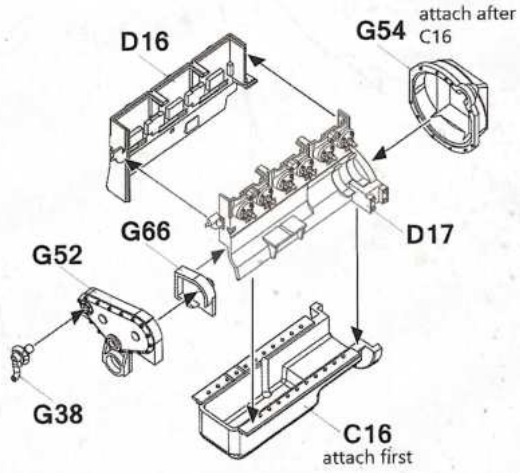
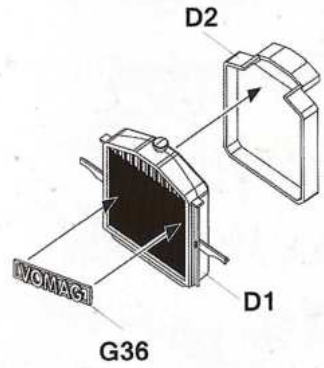
Make 4



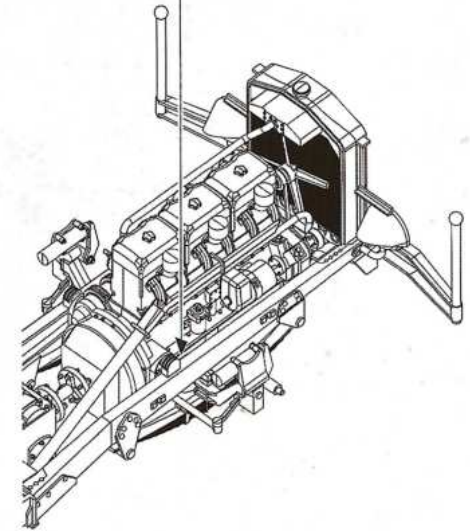
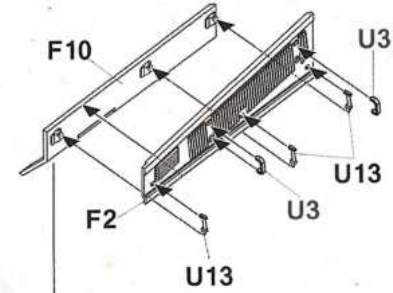
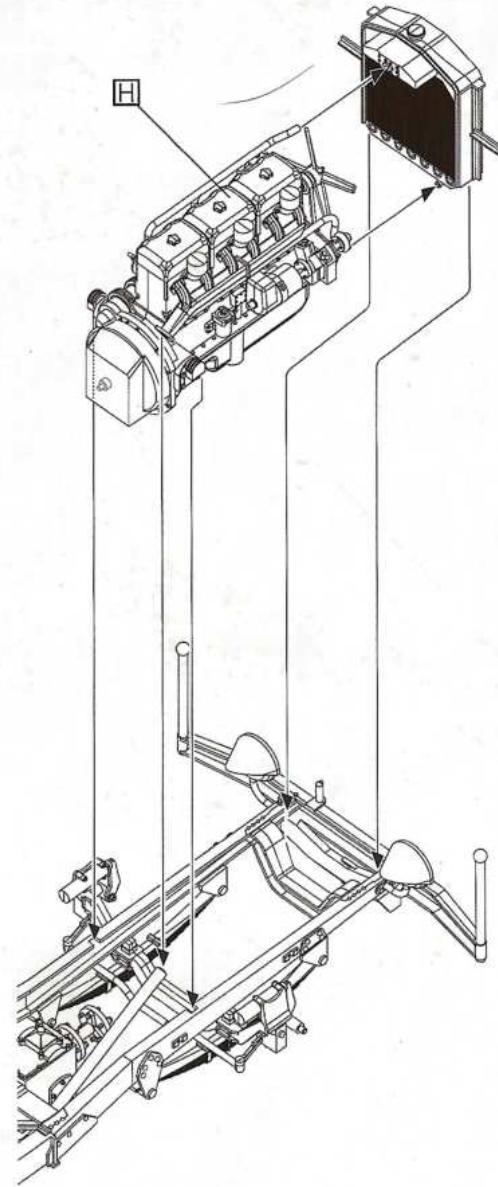
Make 2



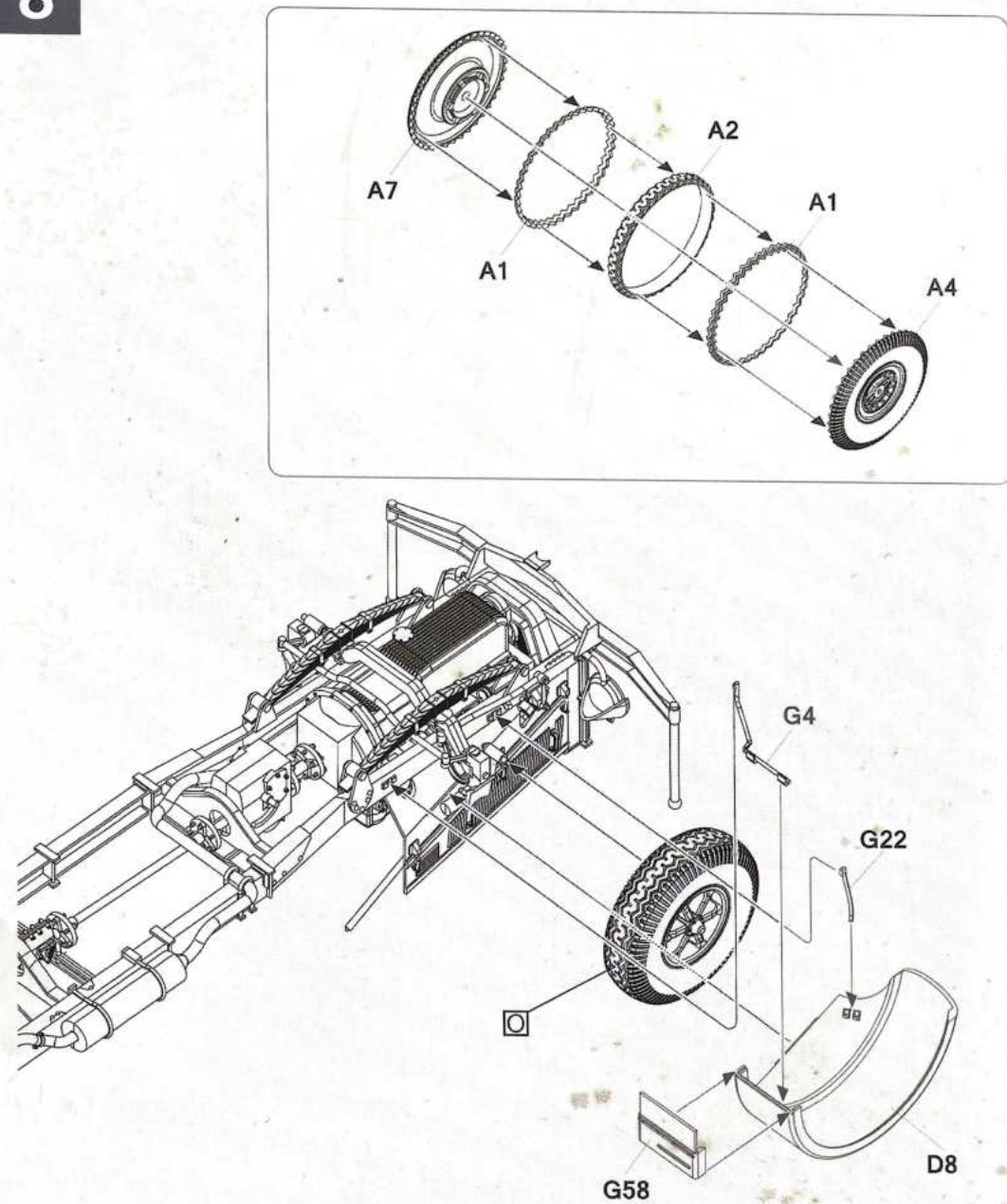
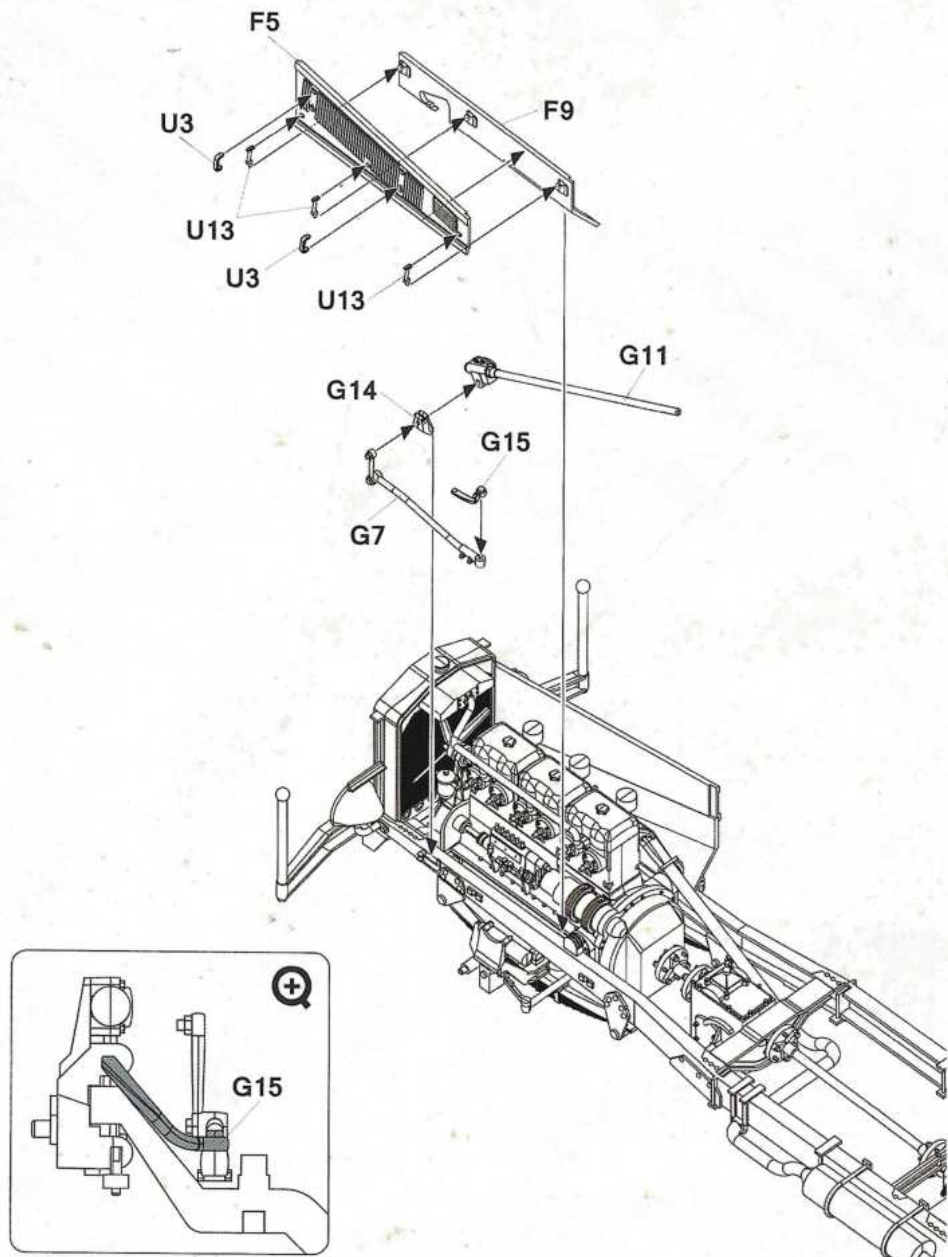
5



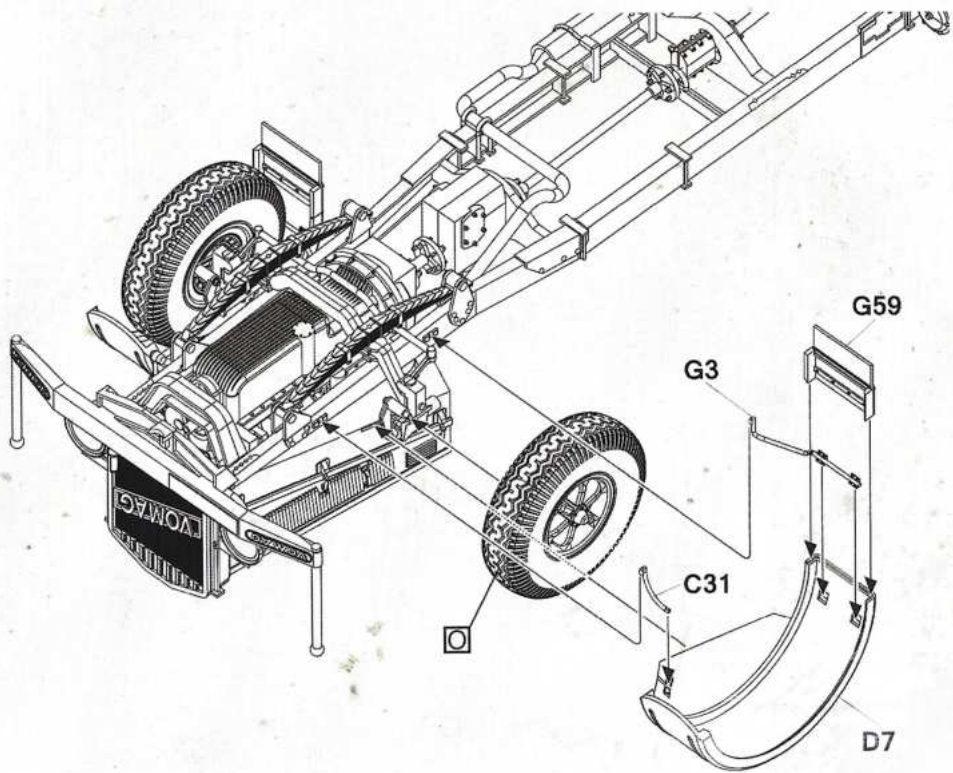
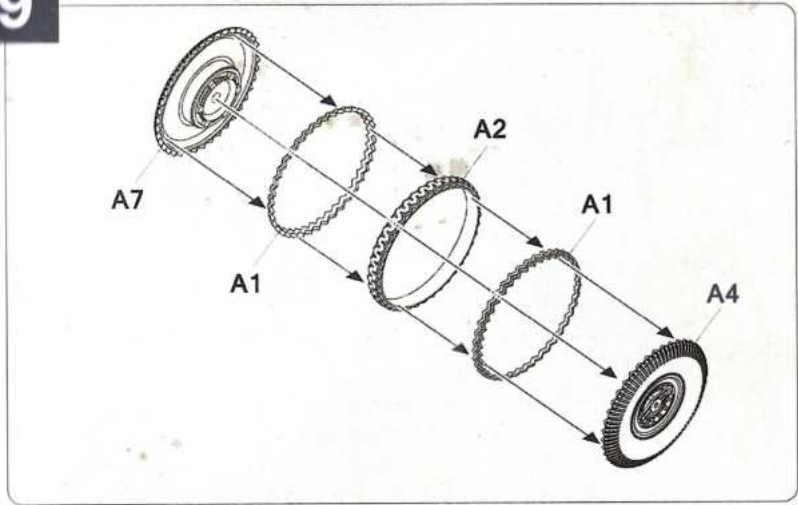
6



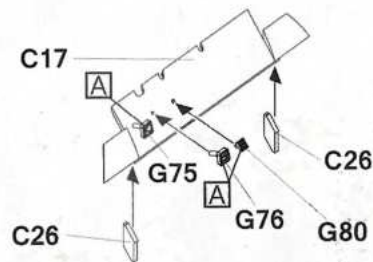
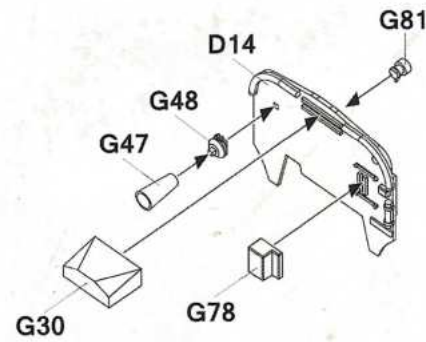
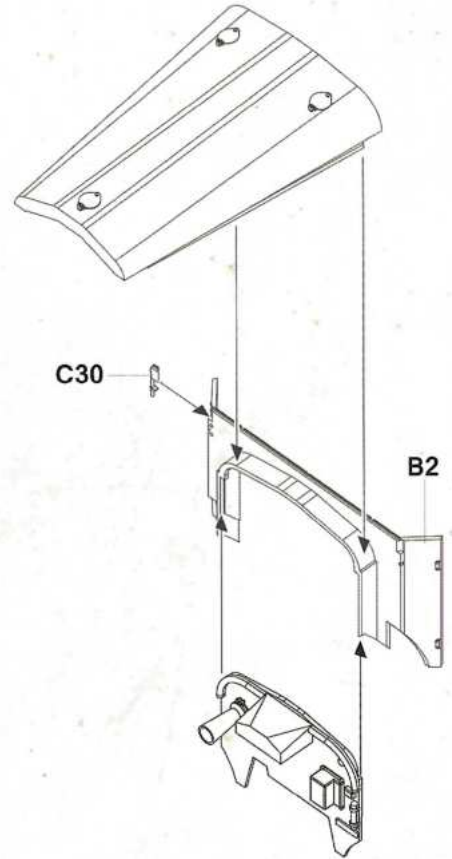
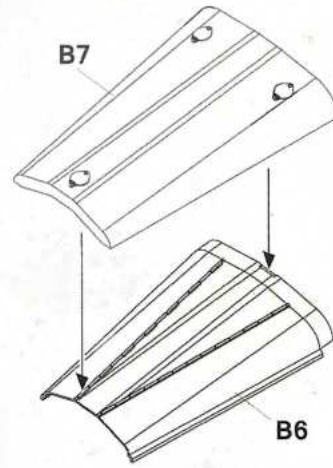
6

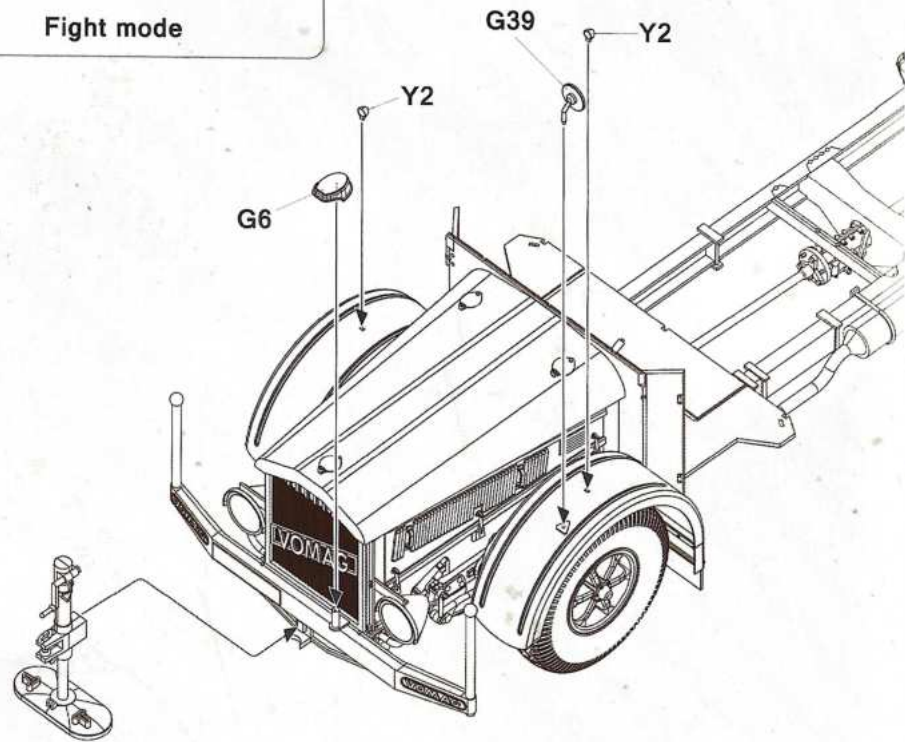
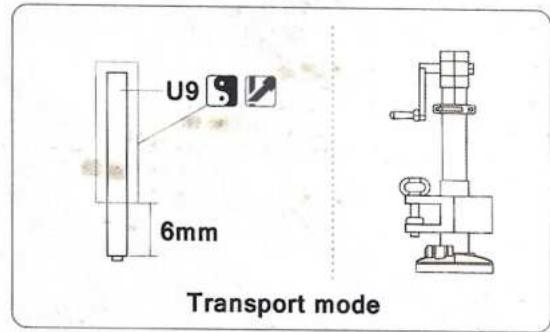
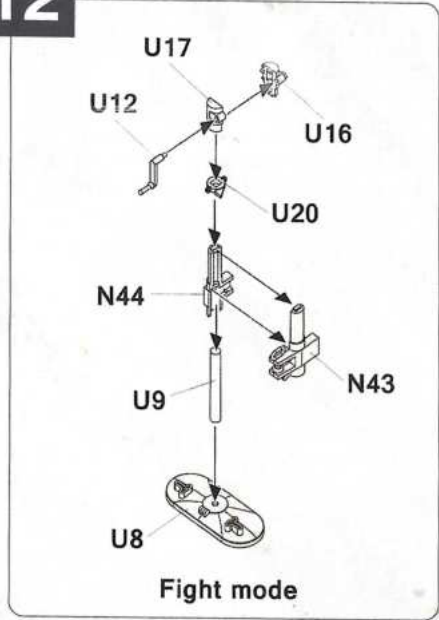
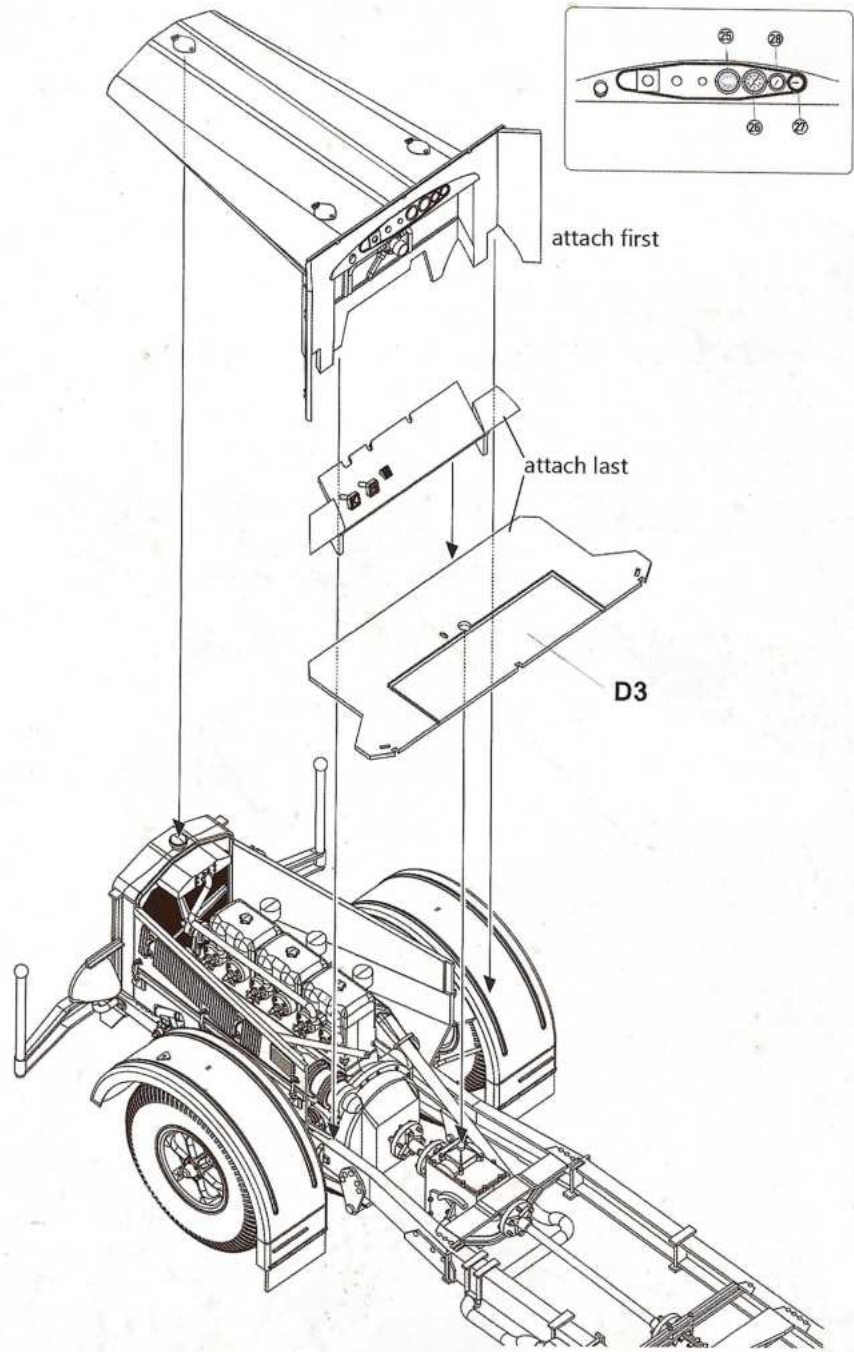


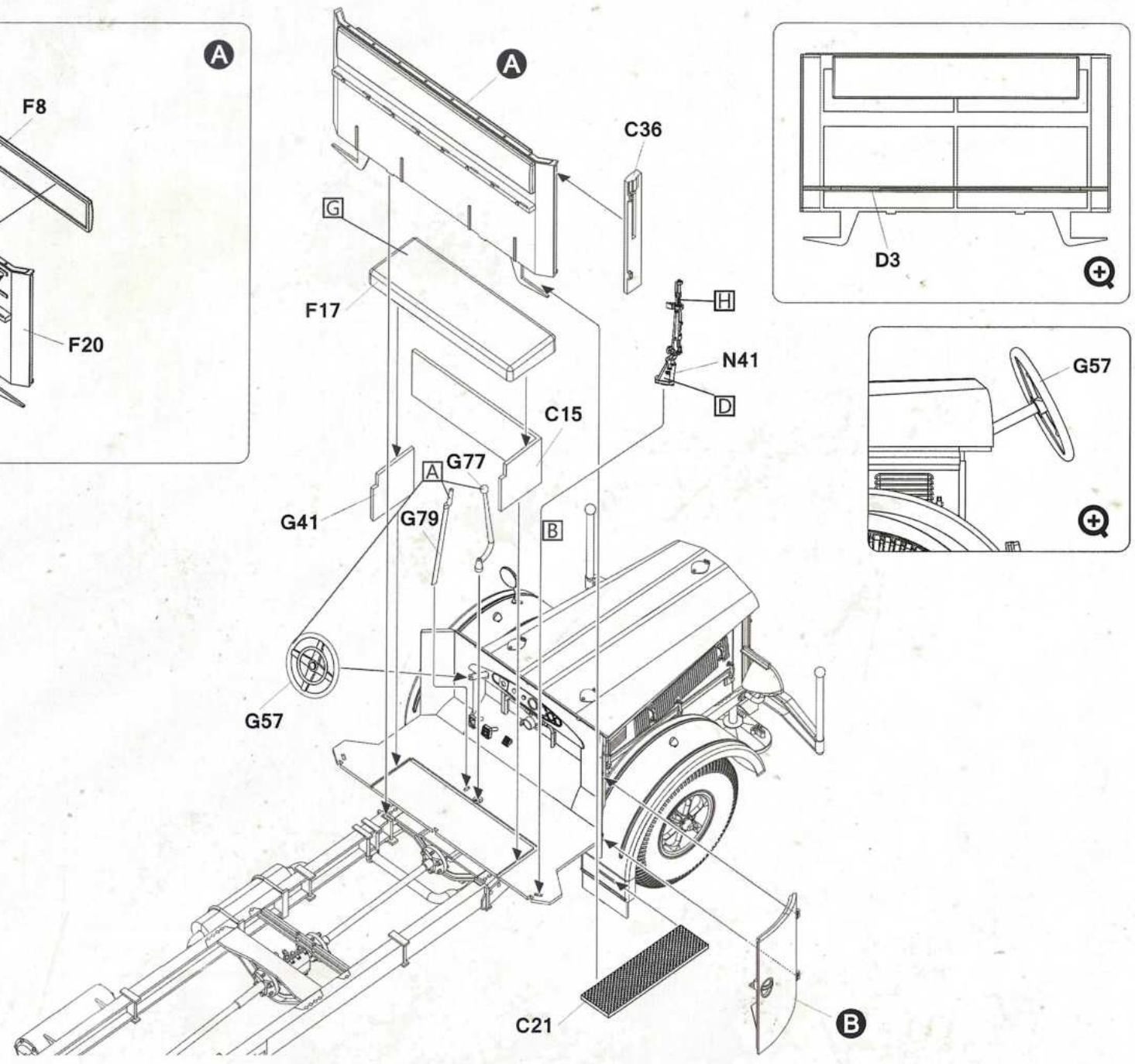
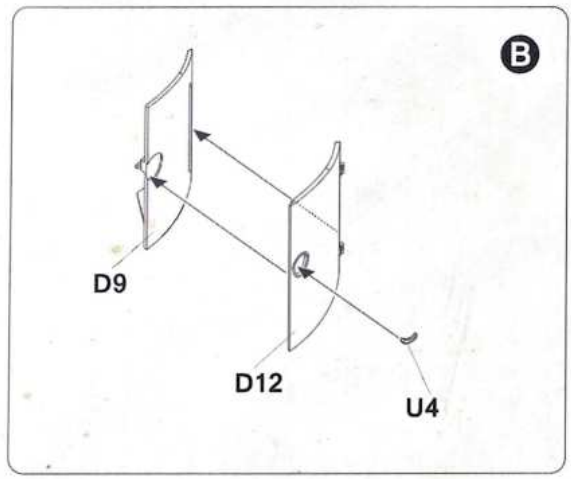
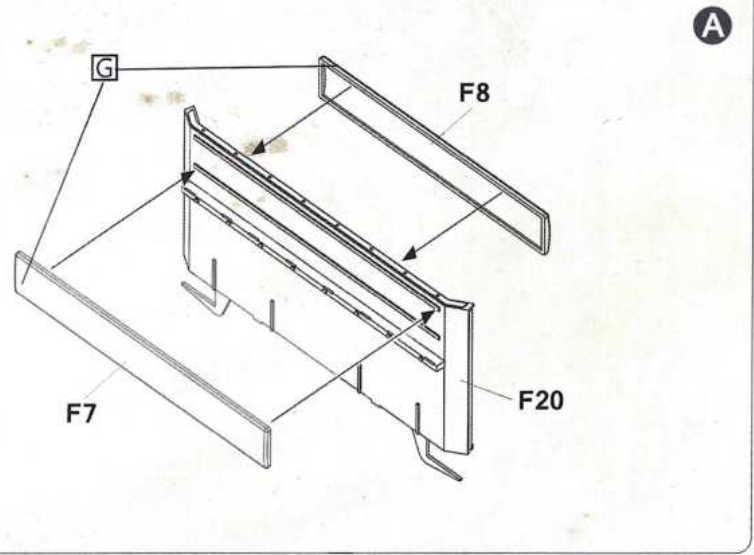
9



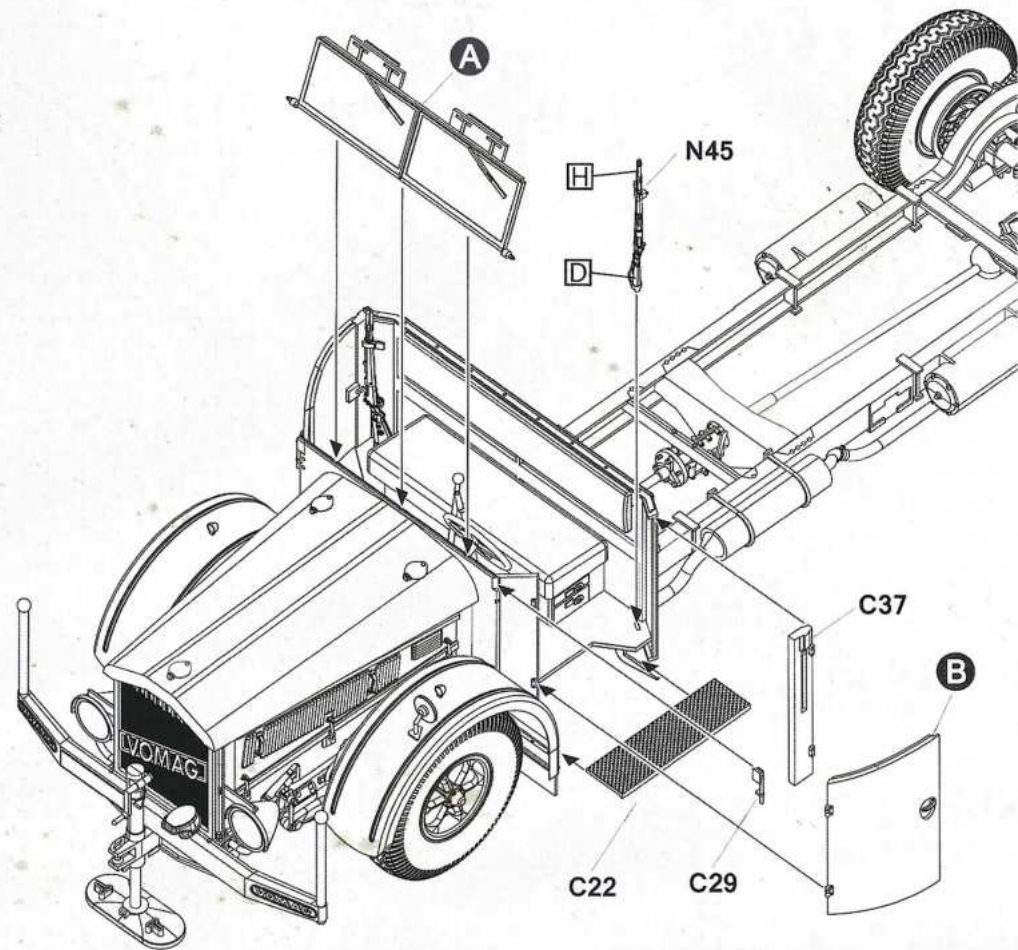
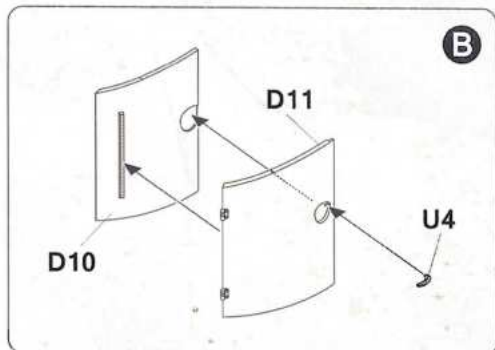
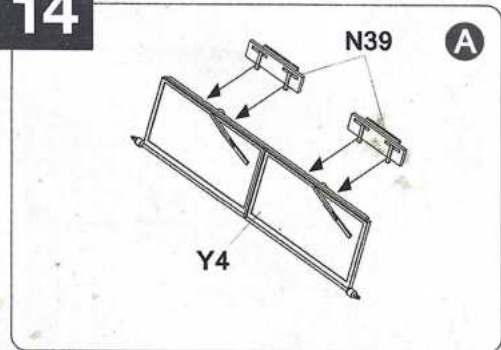
10



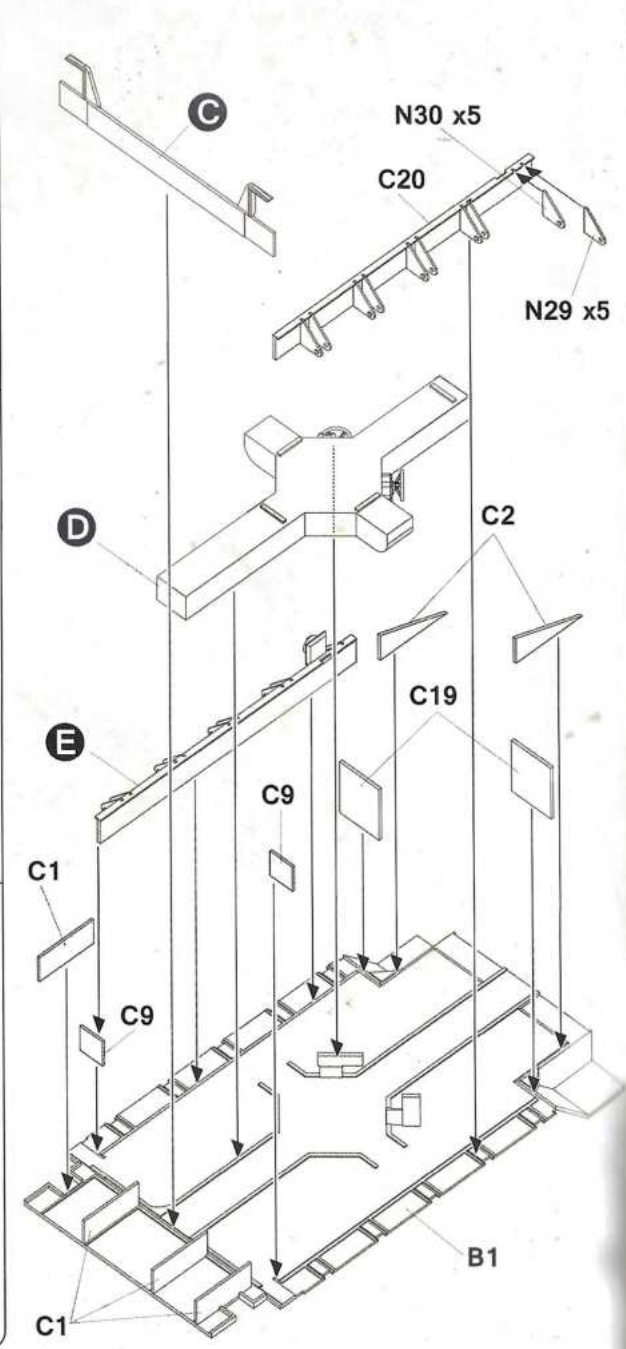
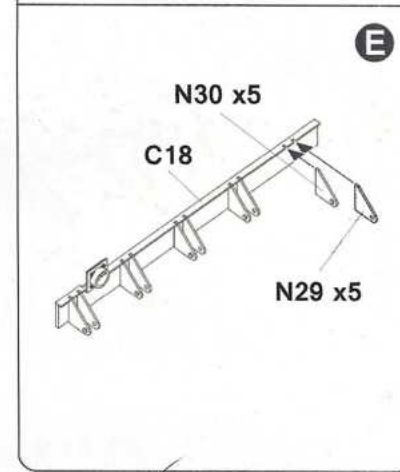
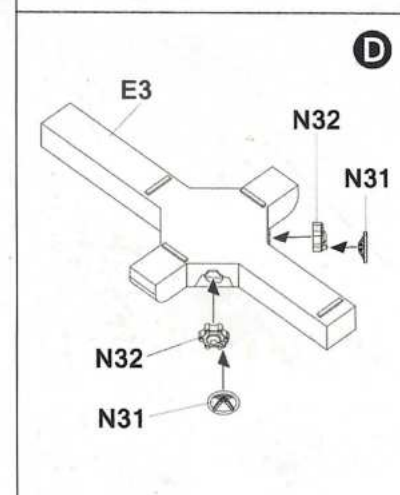
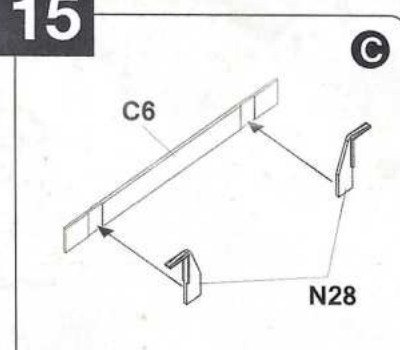




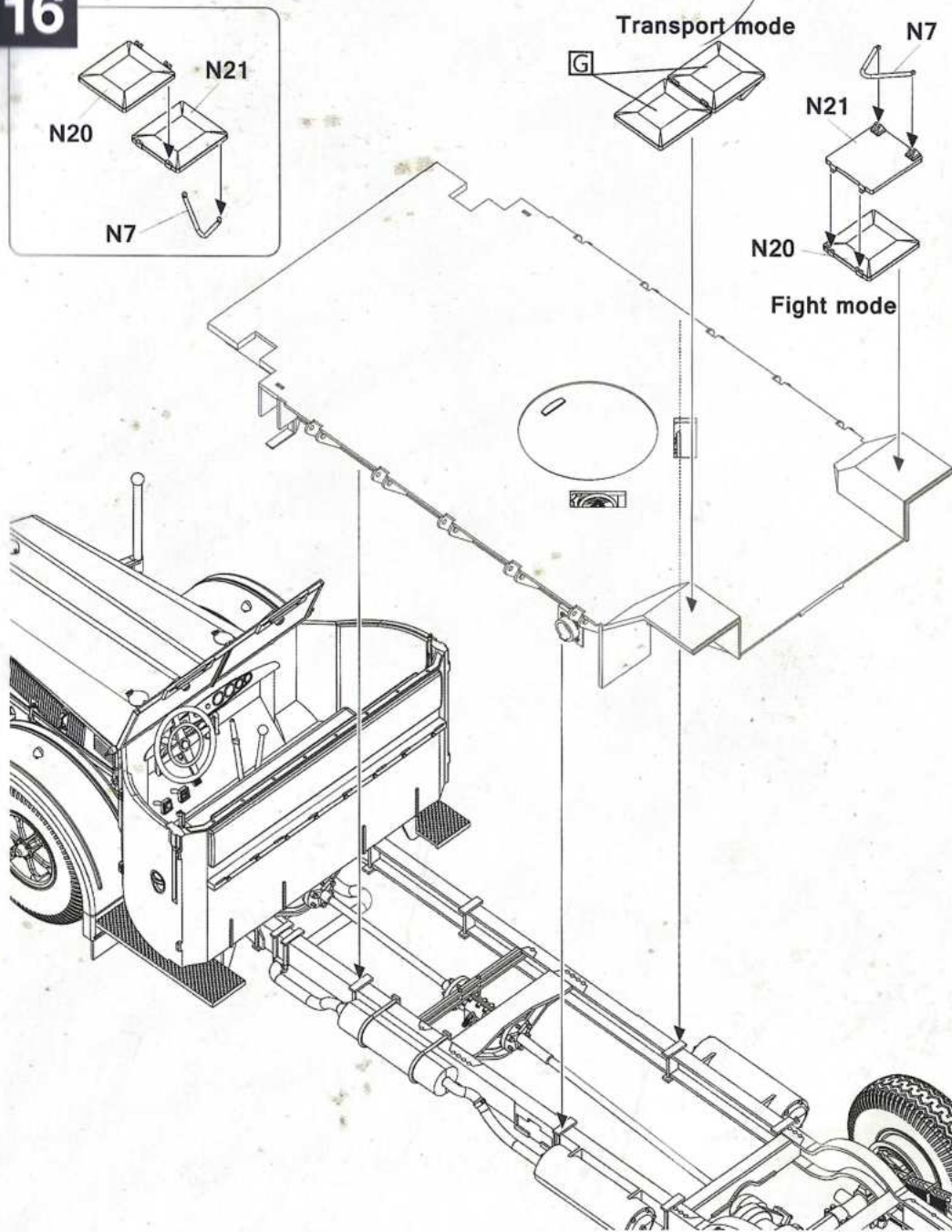
14



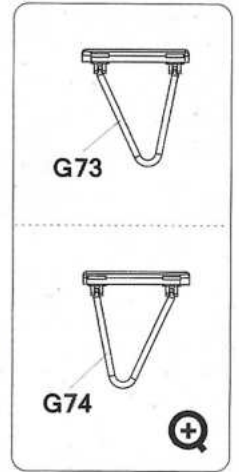
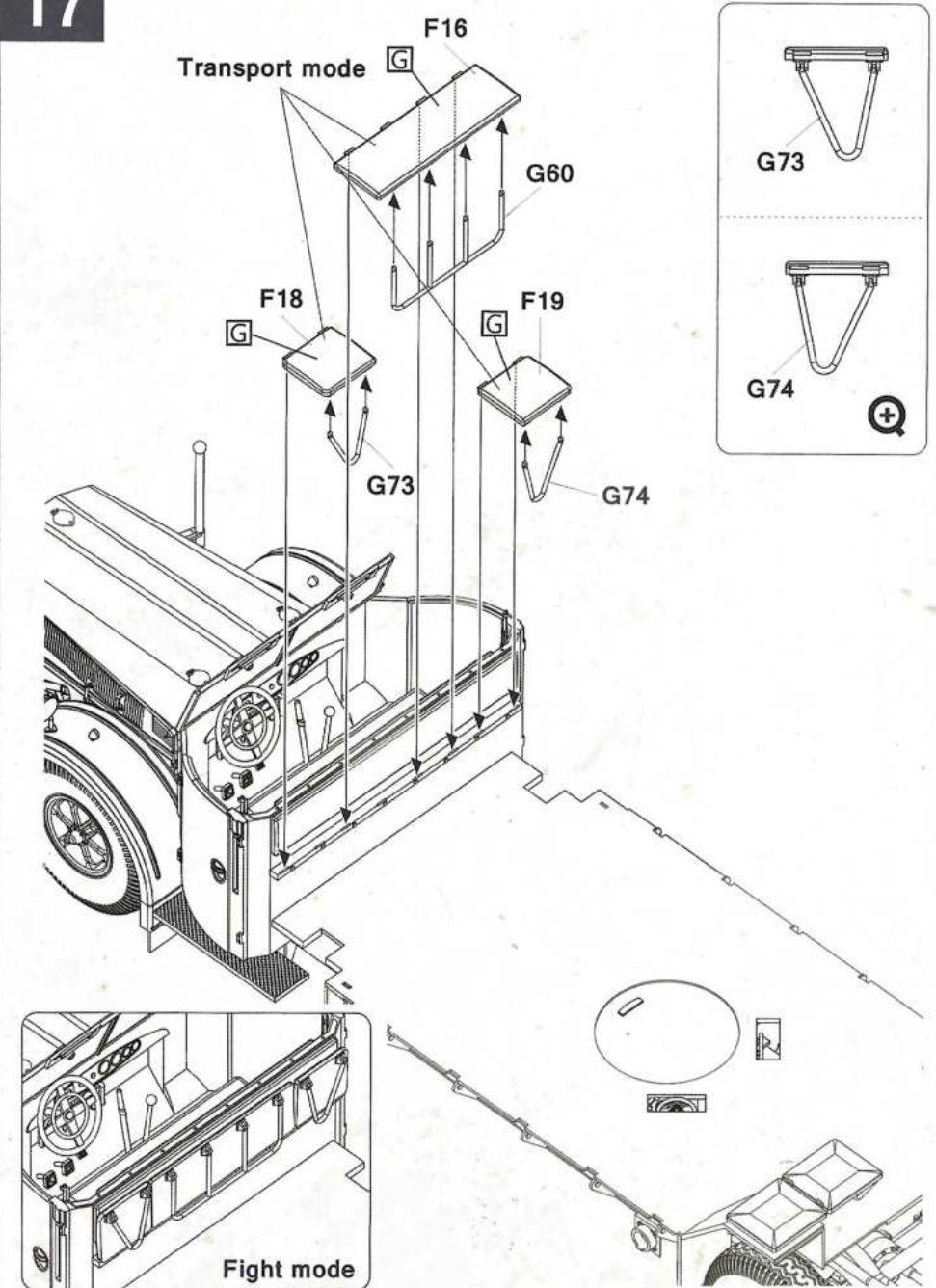
15

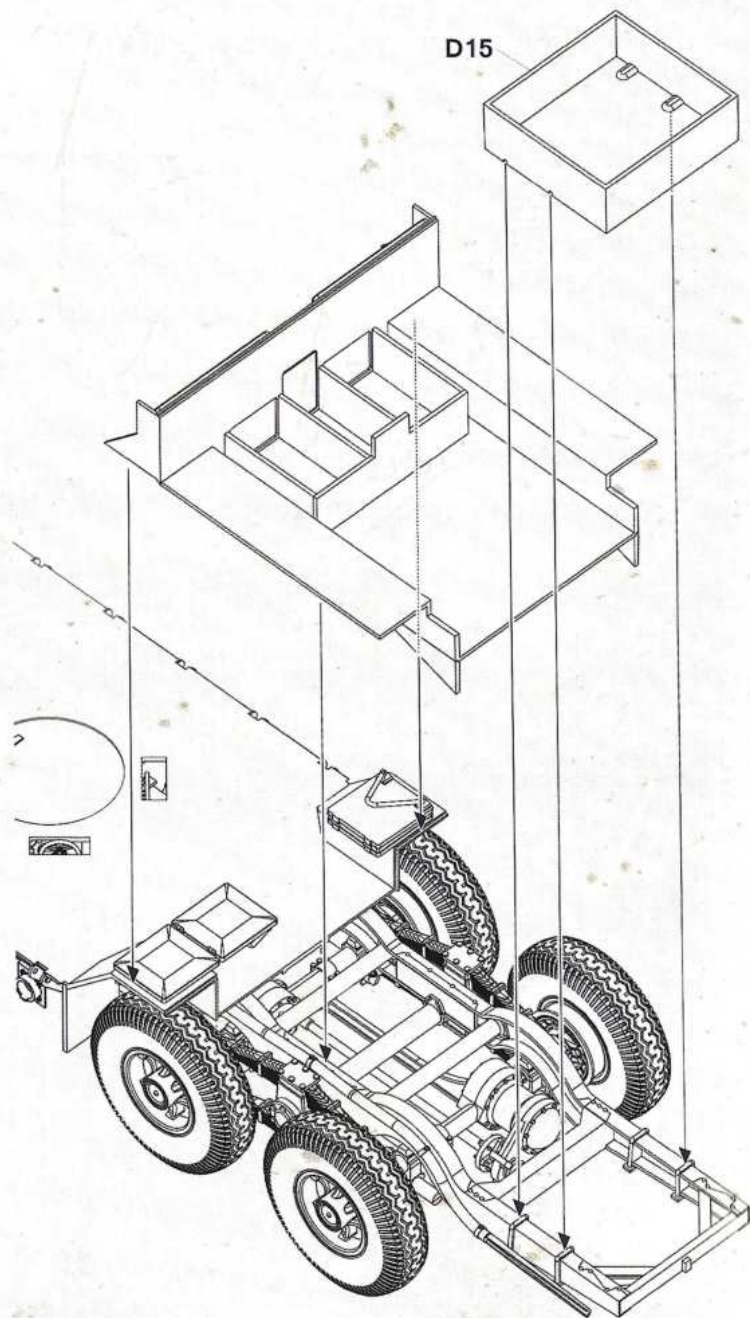
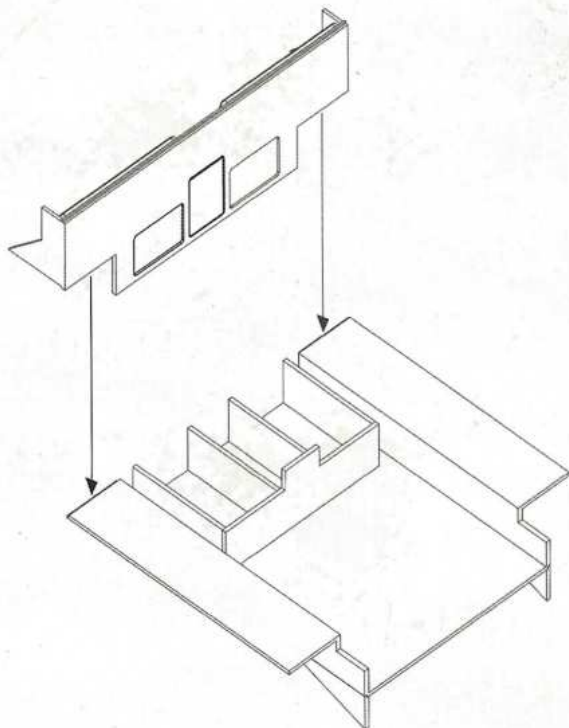
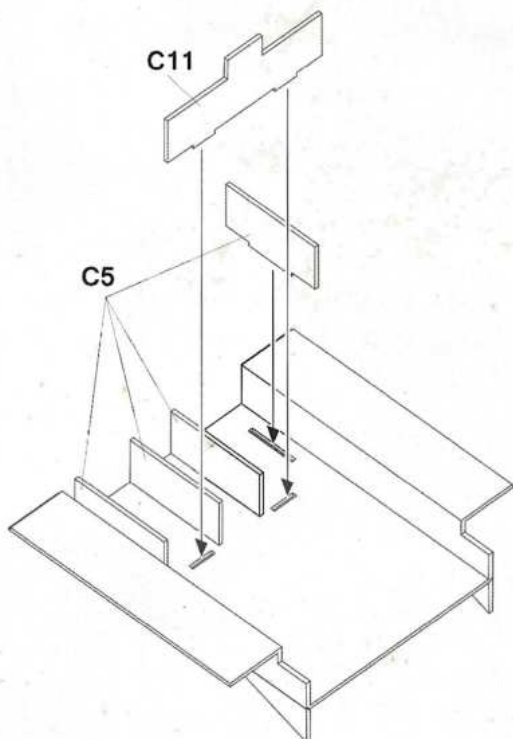
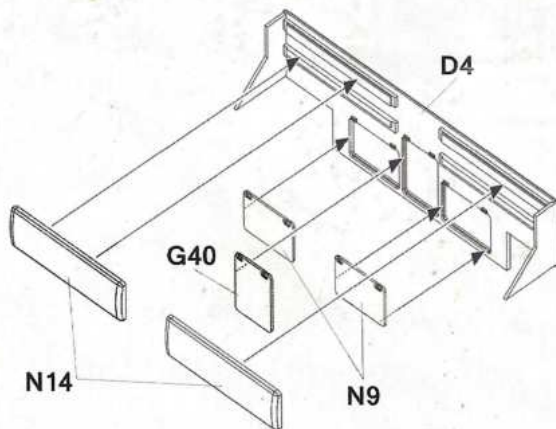
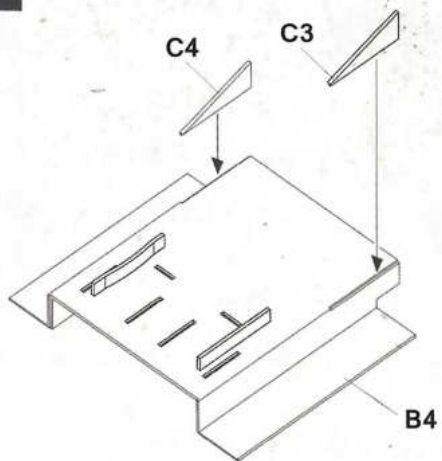


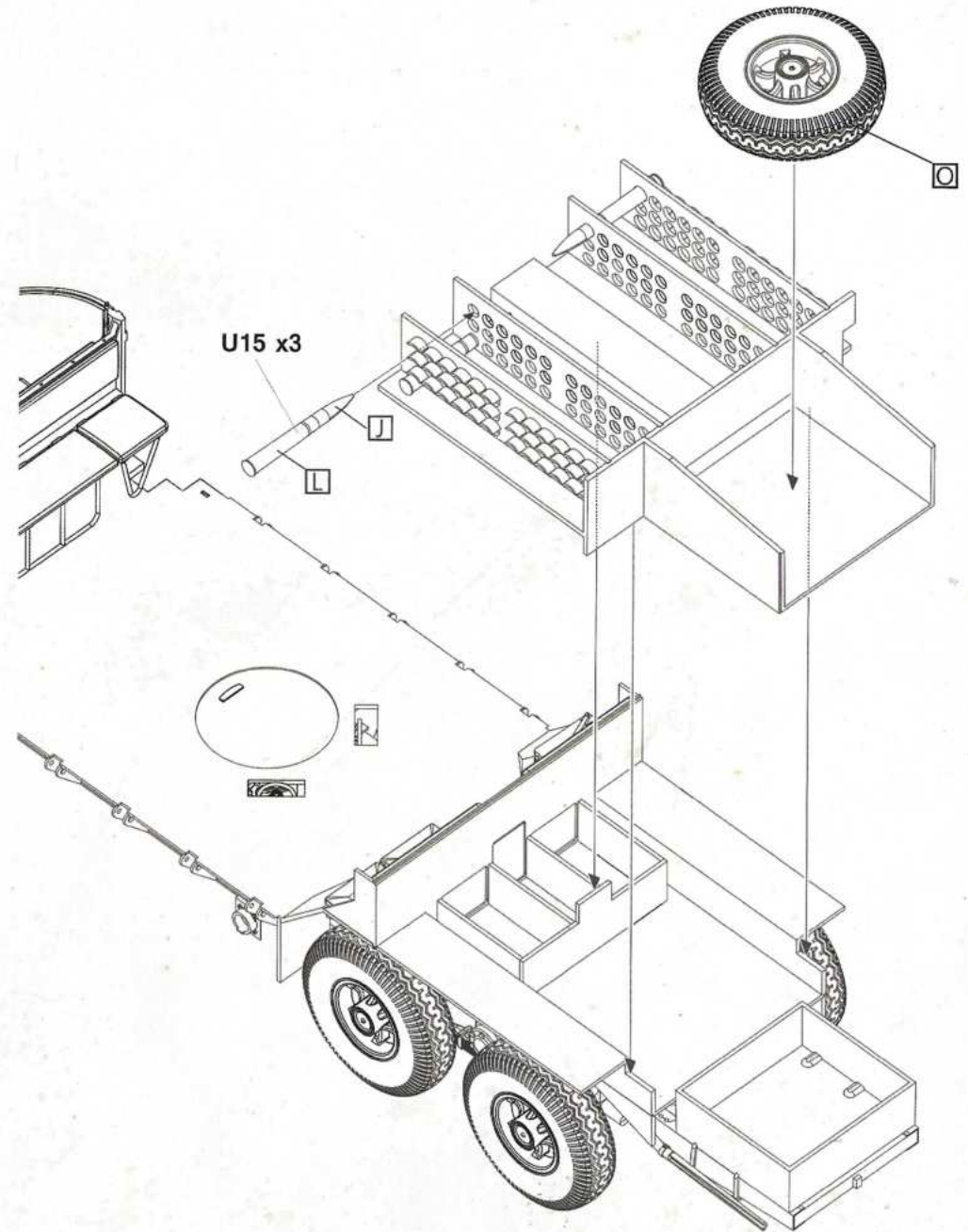
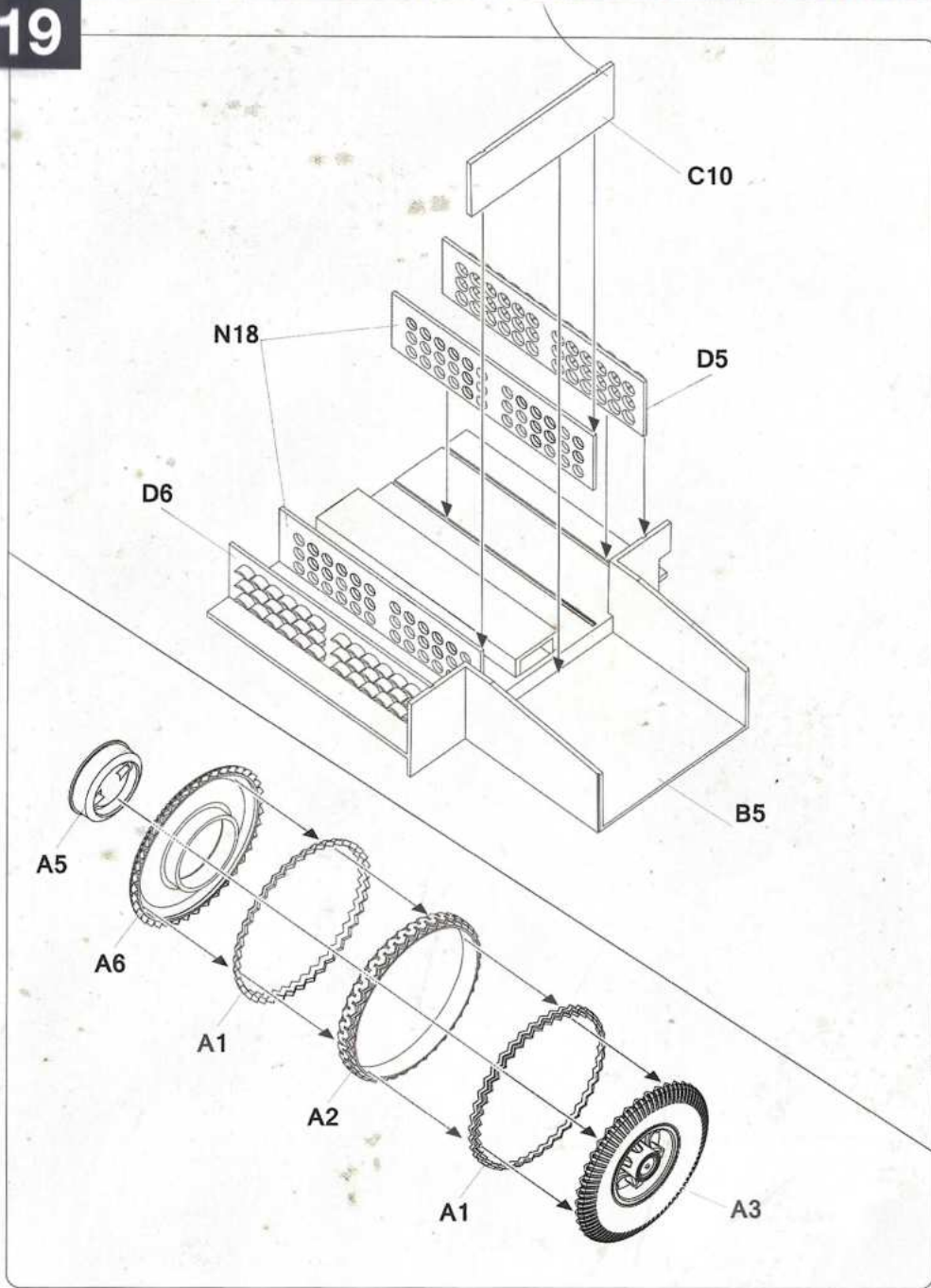
16



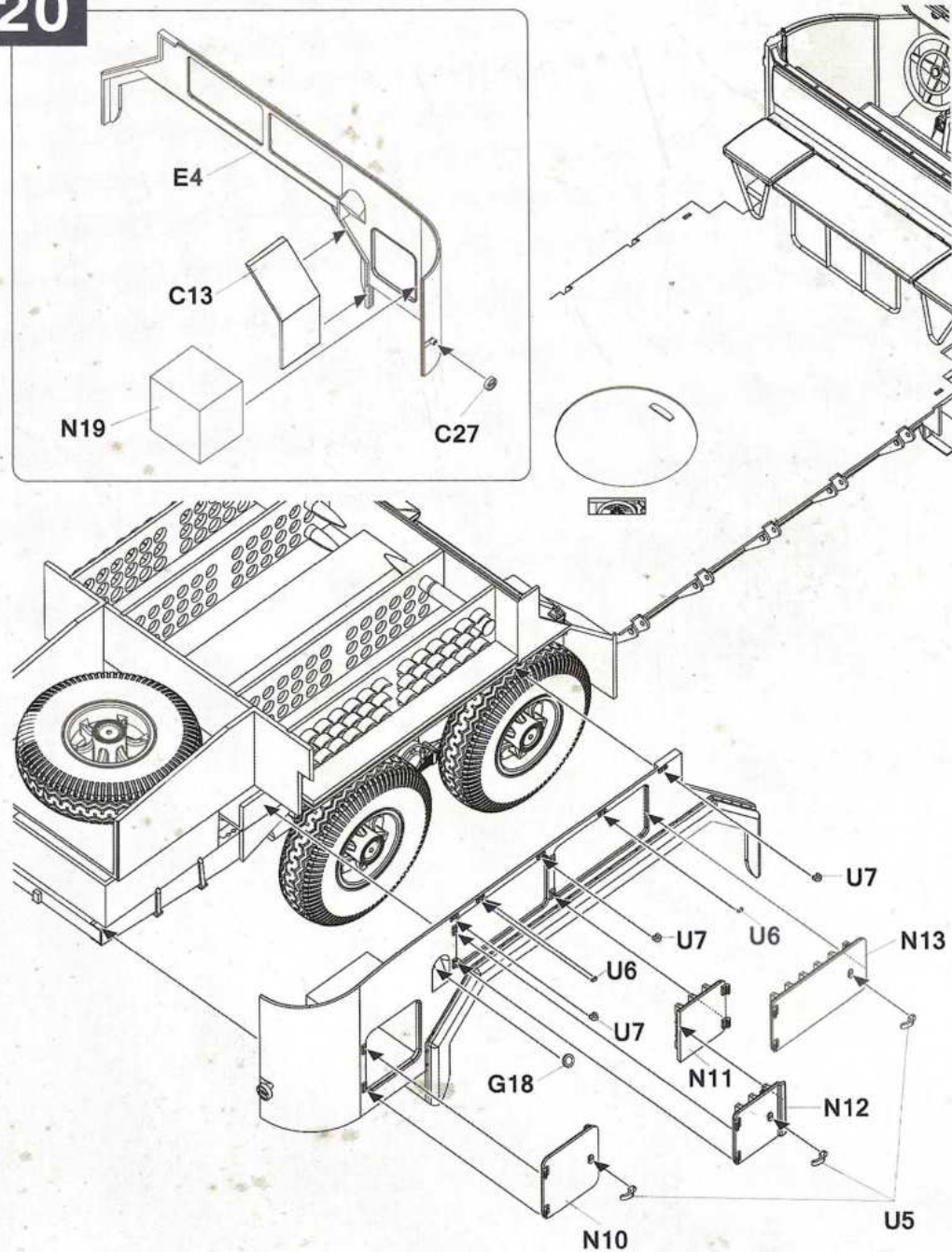
17



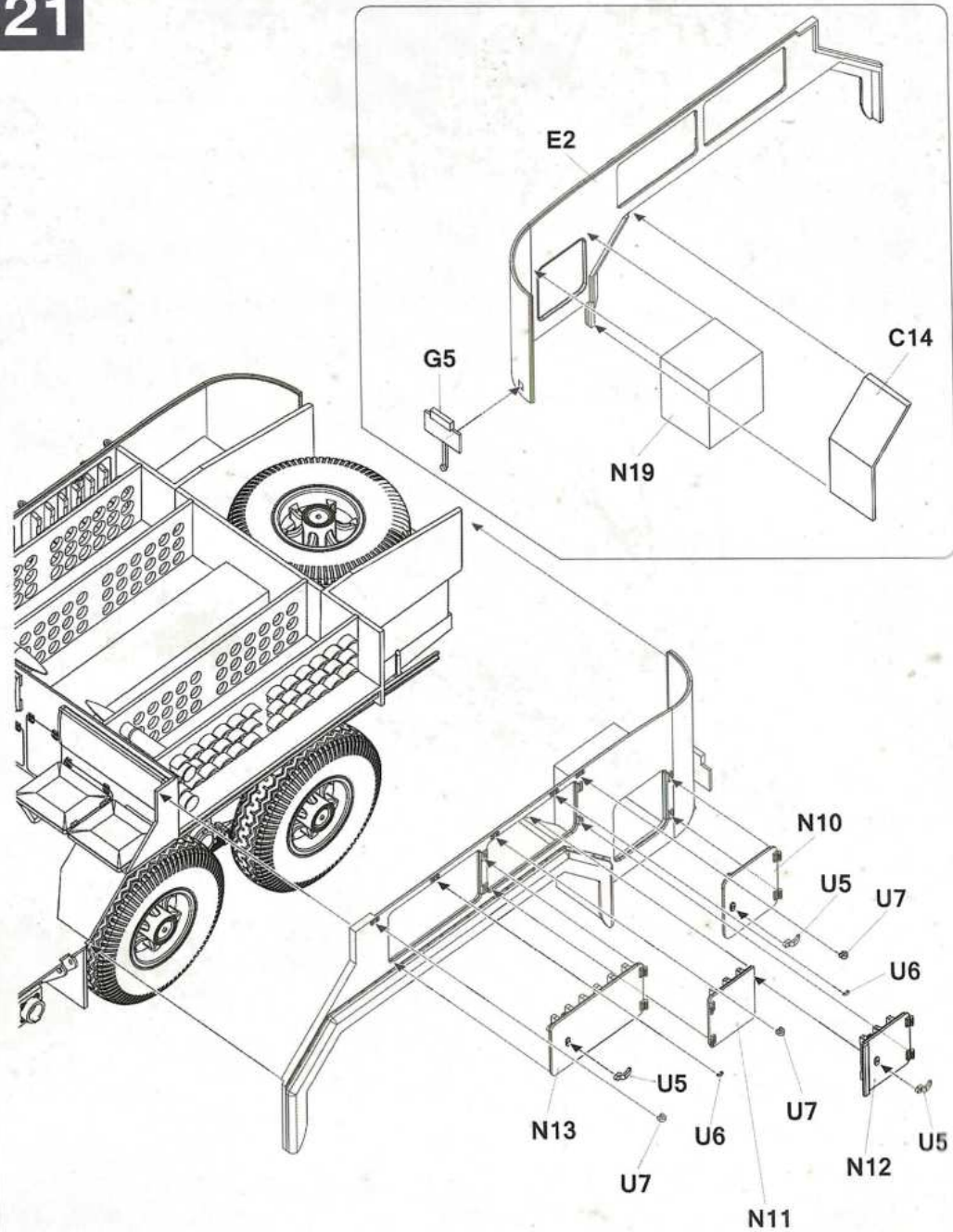


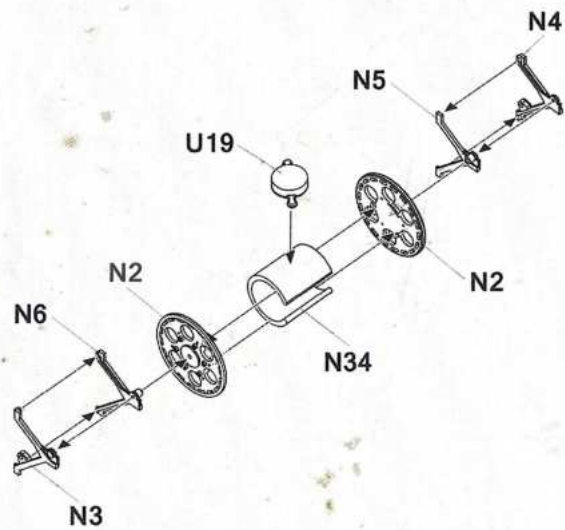
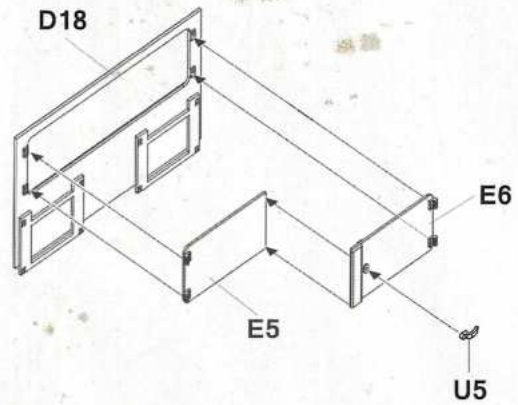


20

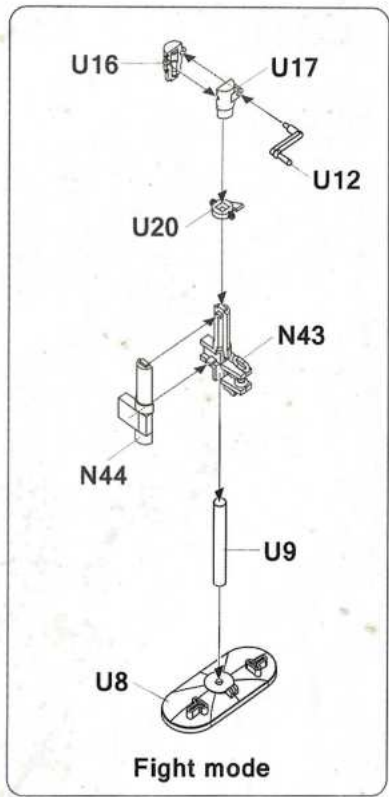
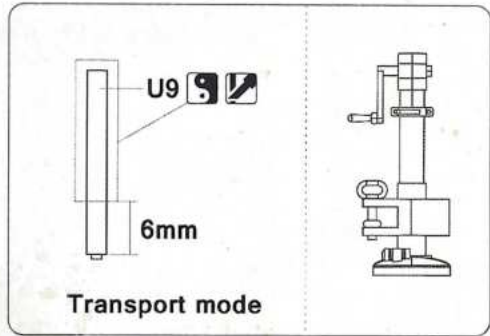
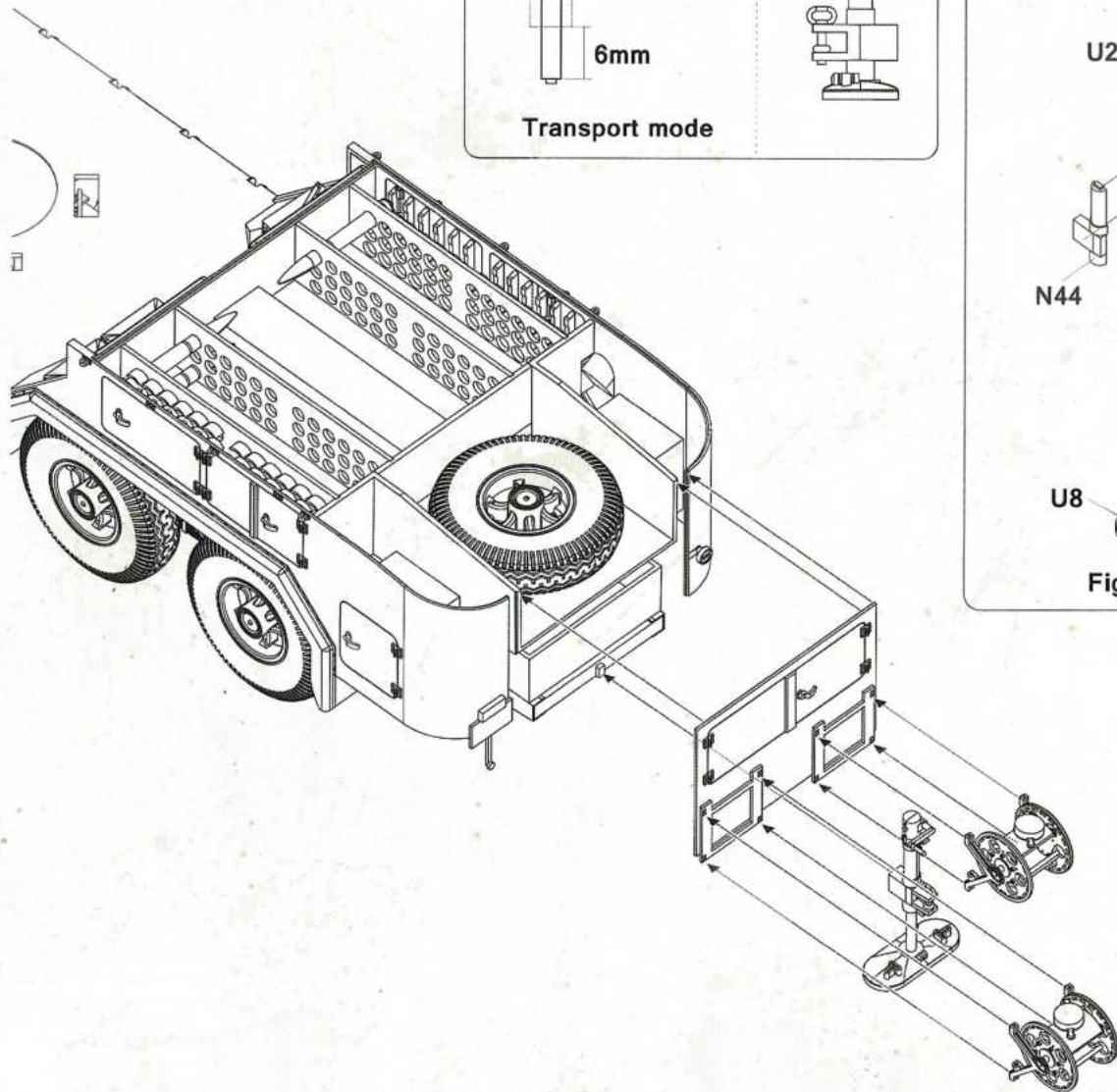


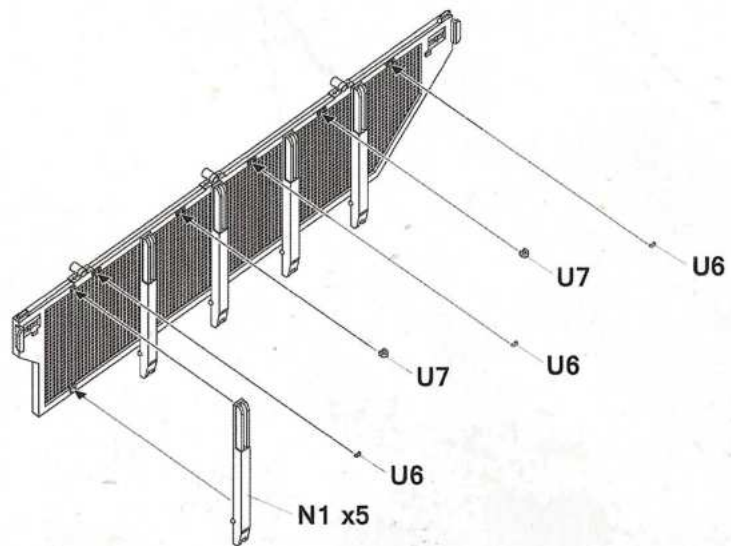
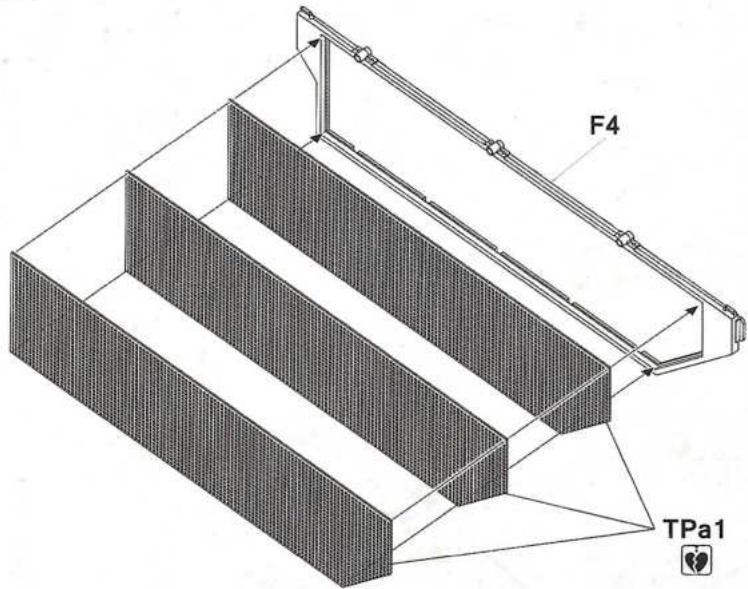
21



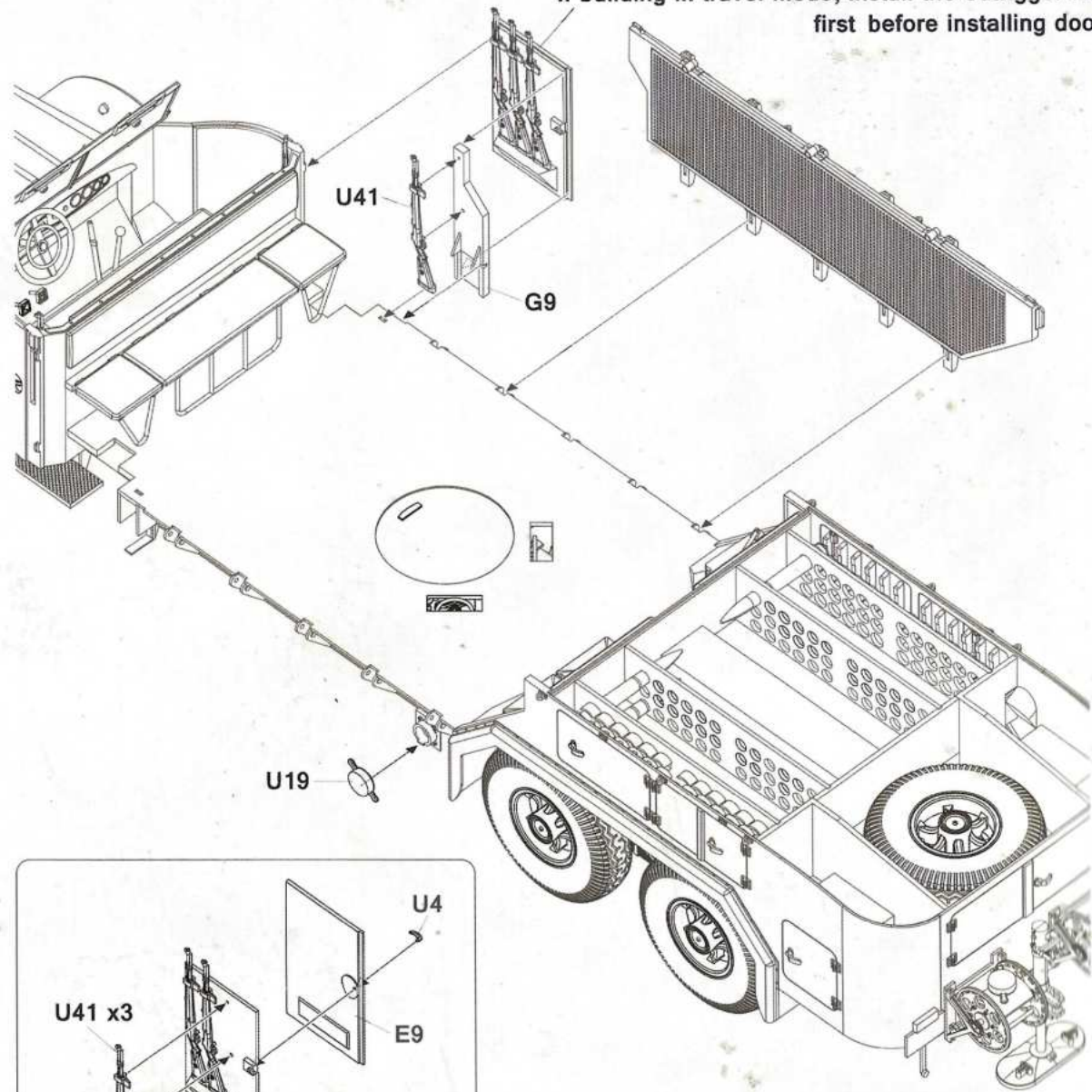


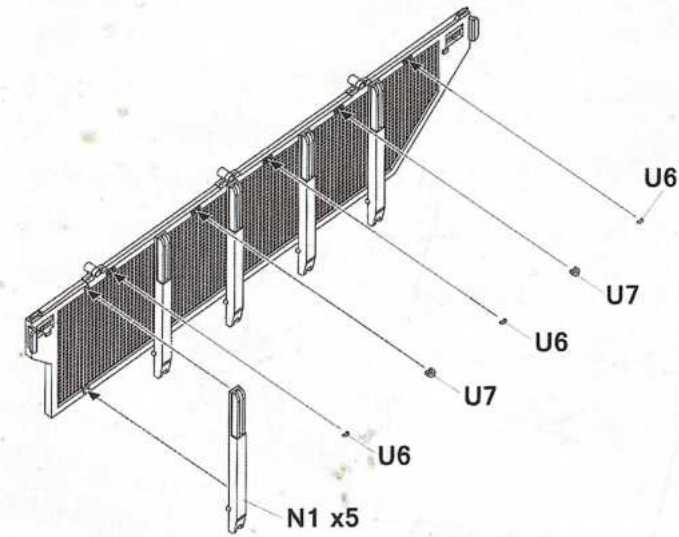
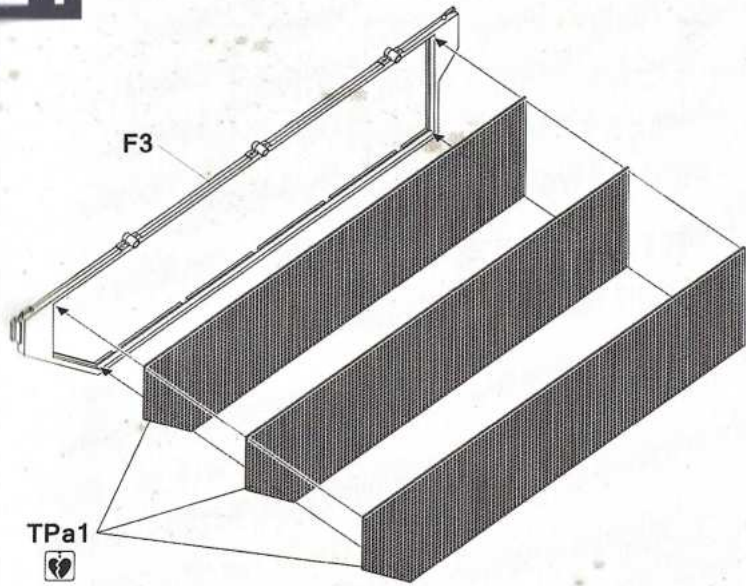
Make 2



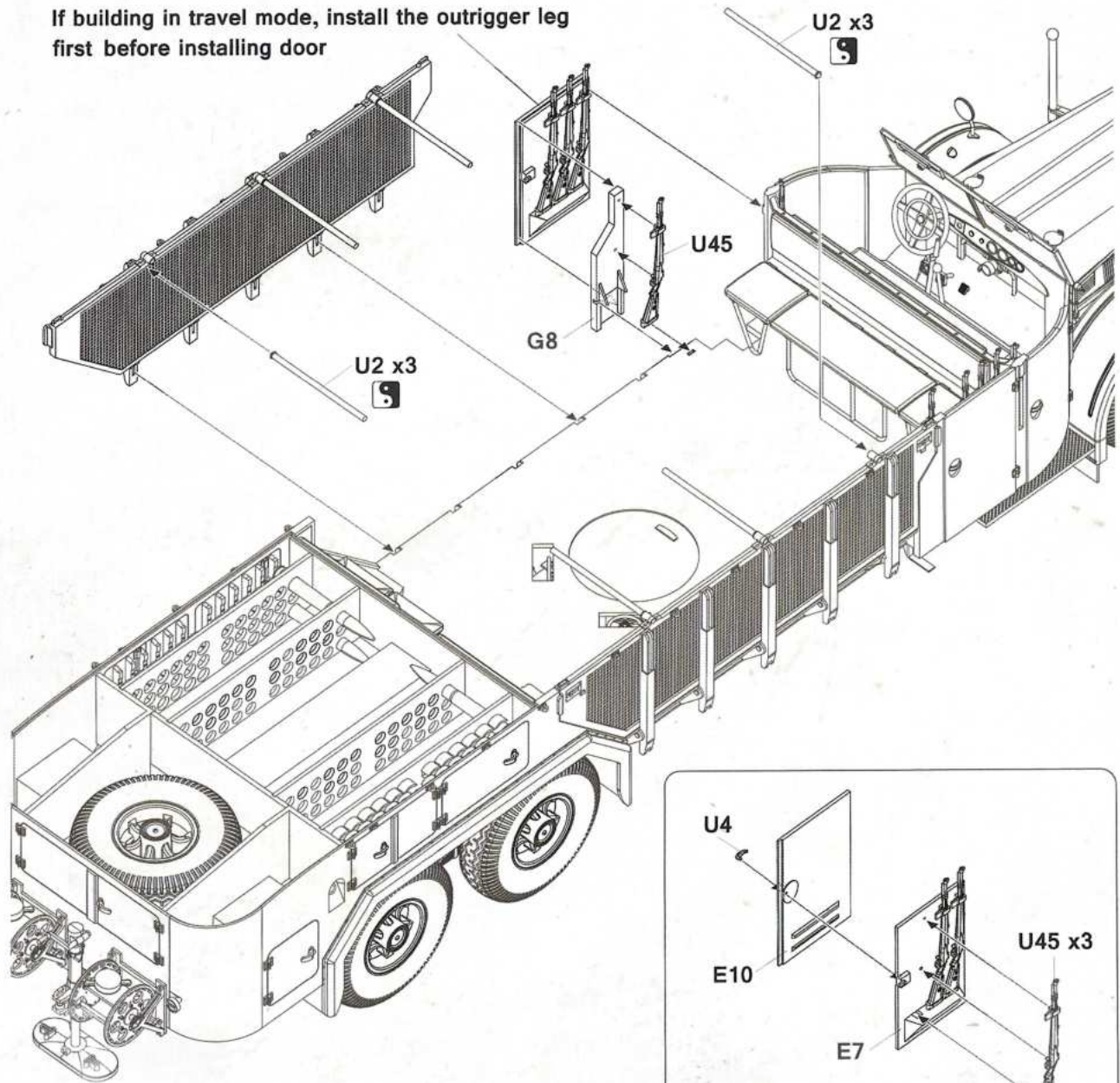


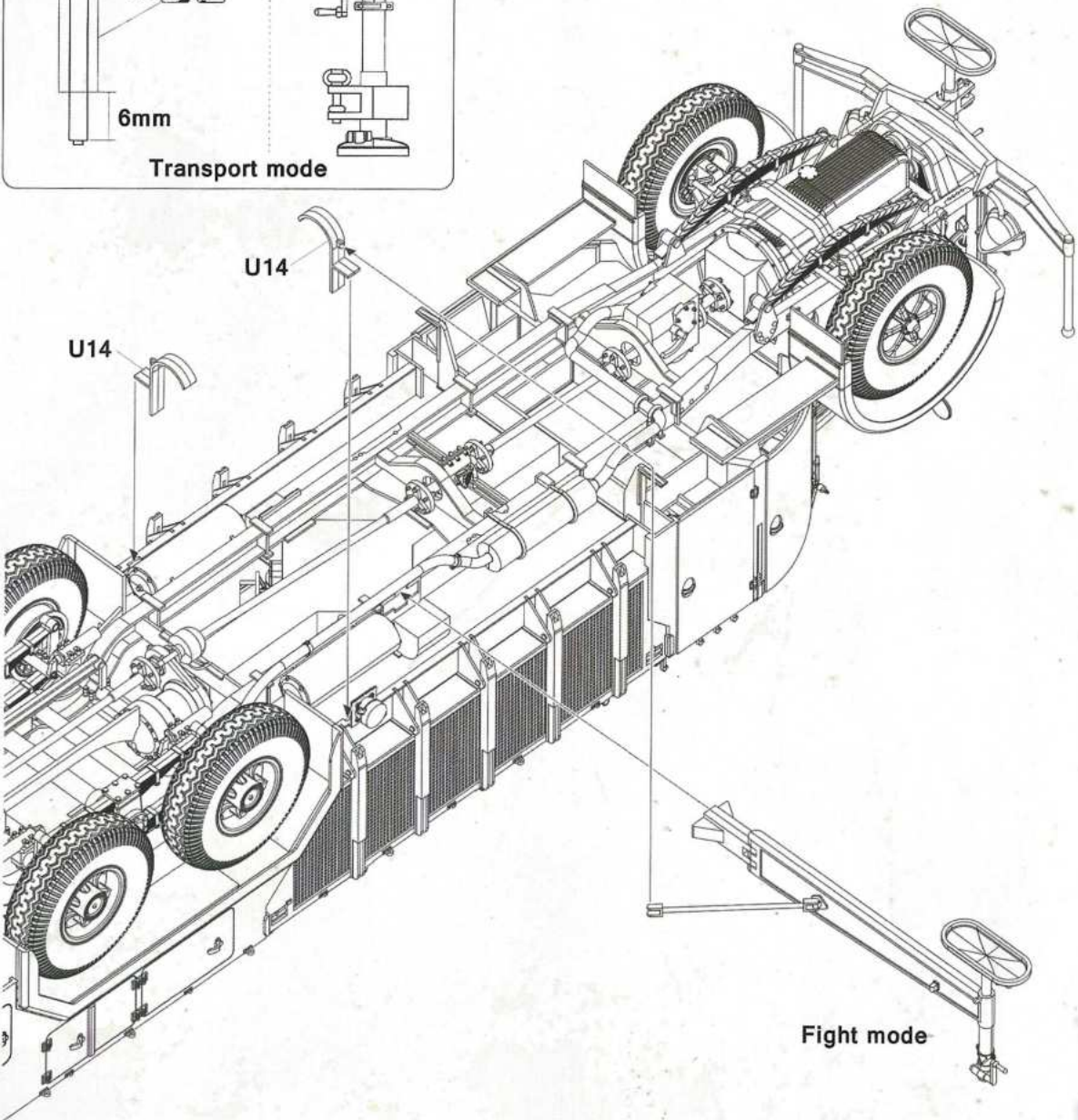
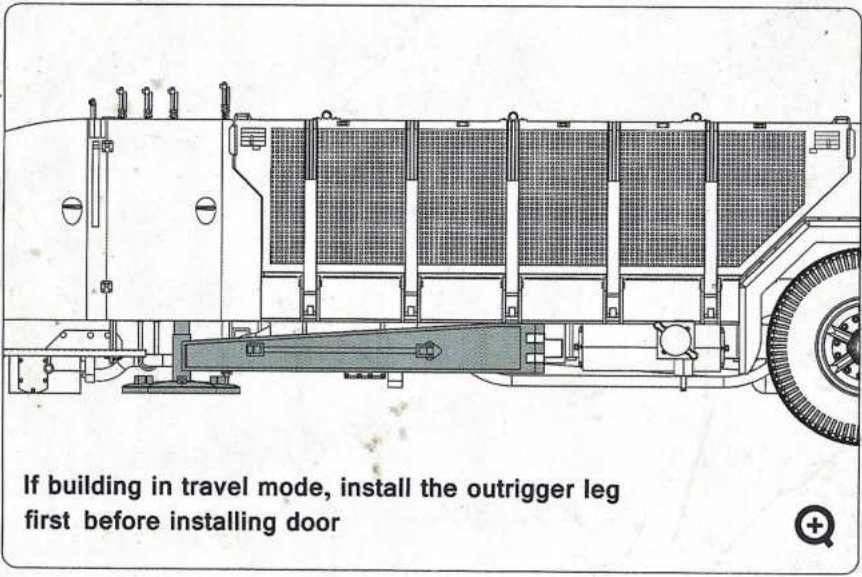
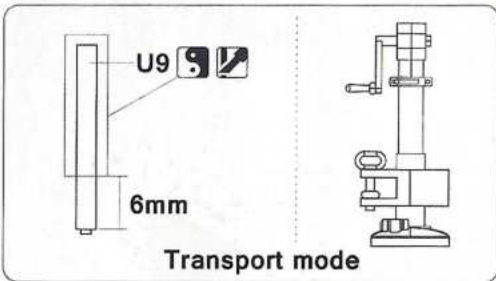
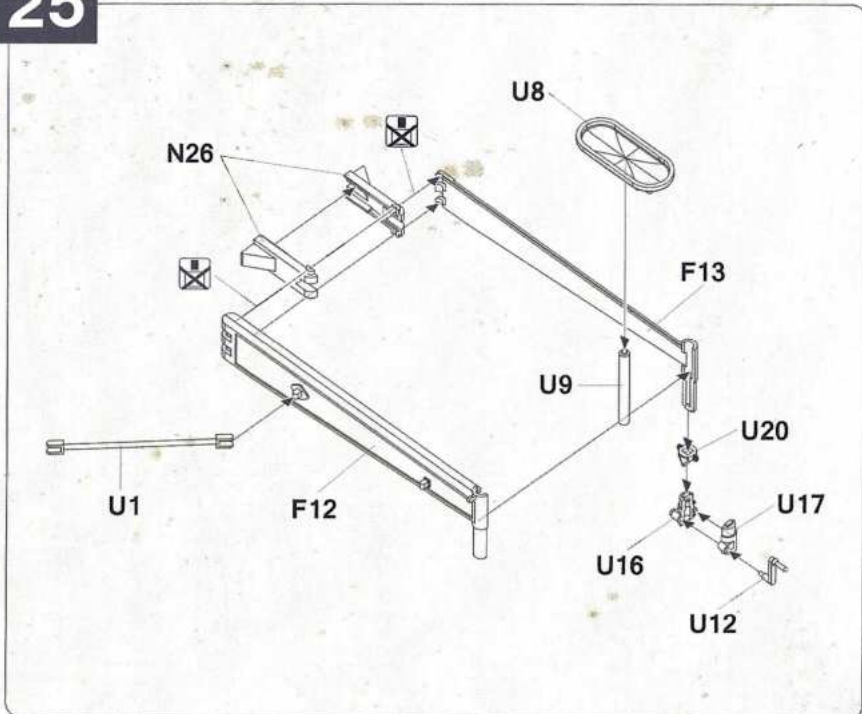
If building in travel mode, install the outrigger leg first before installing door

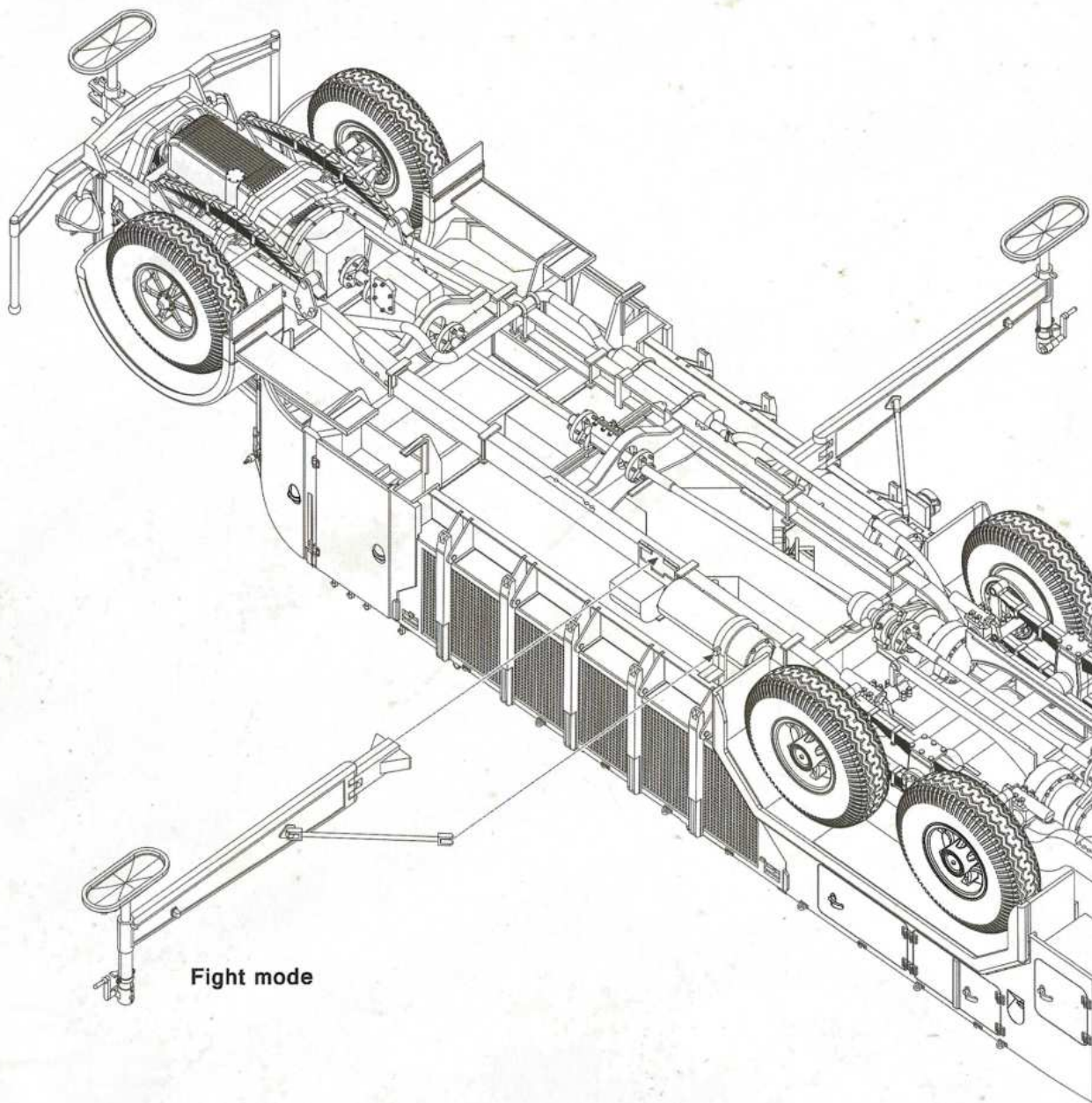
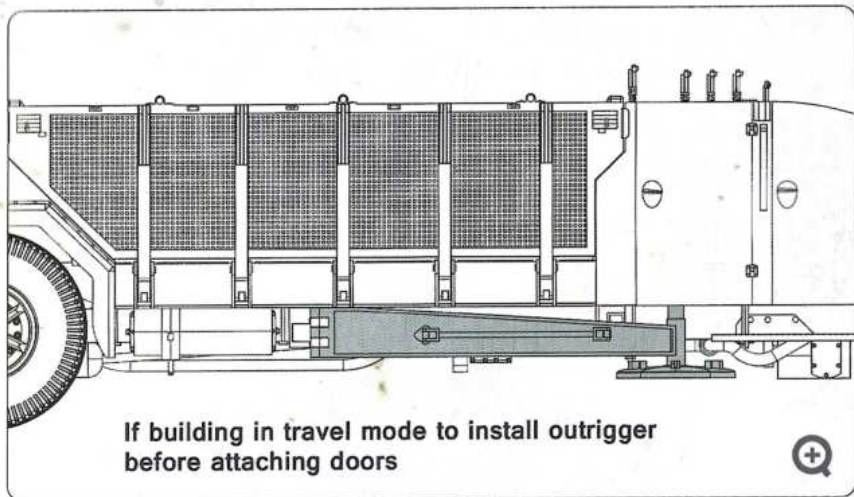
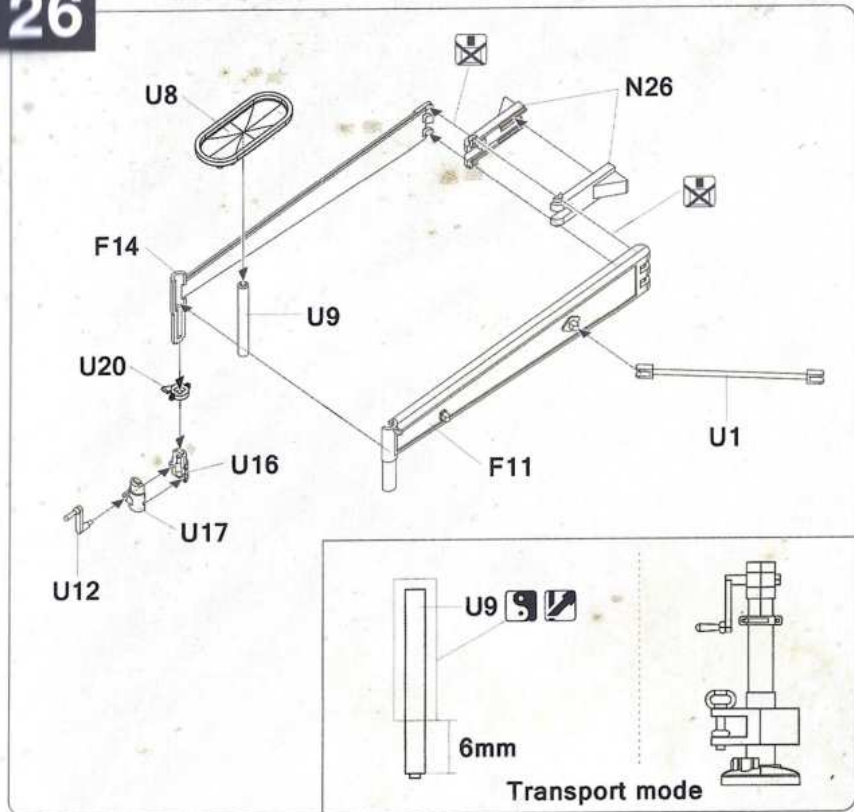


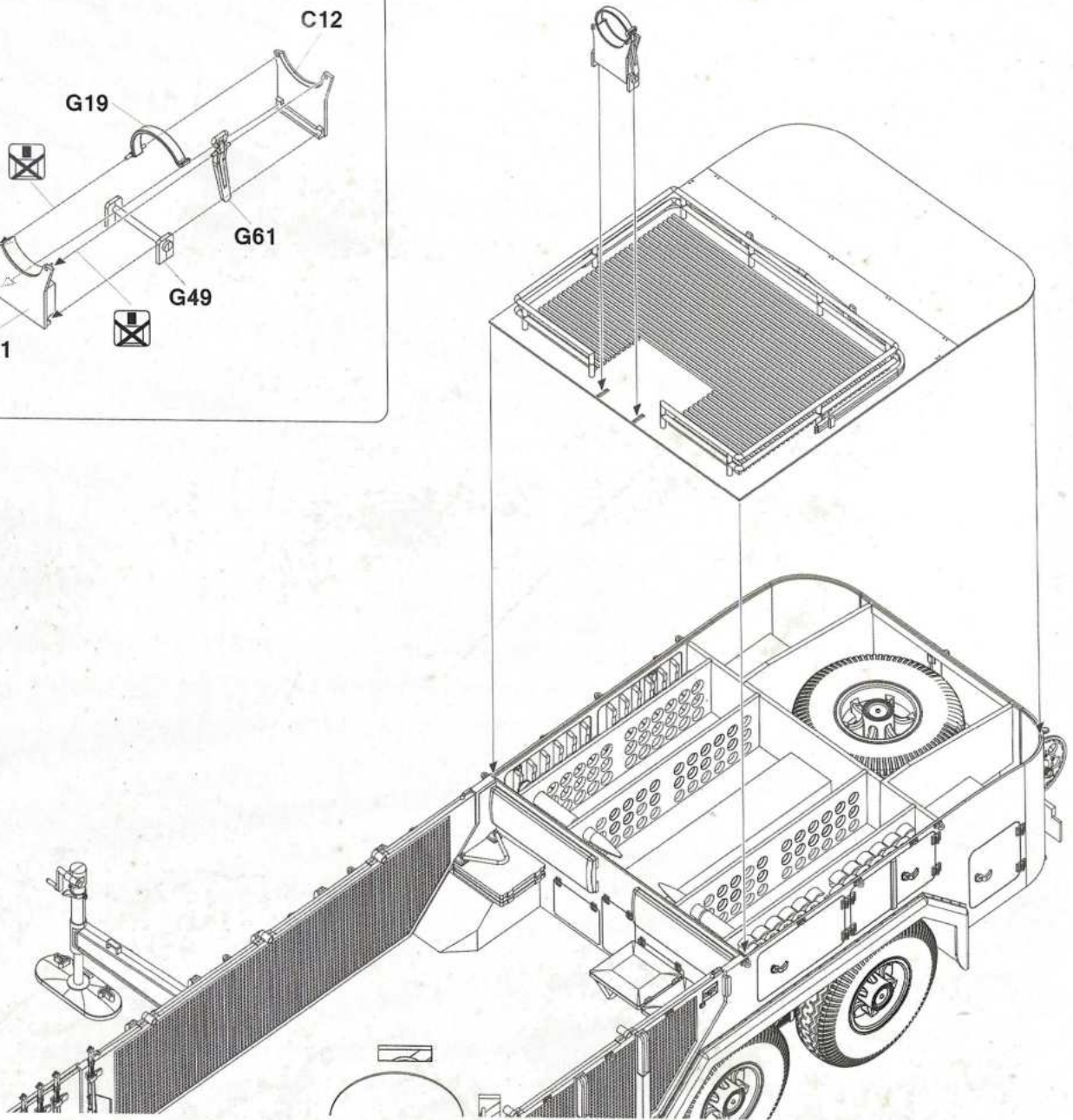
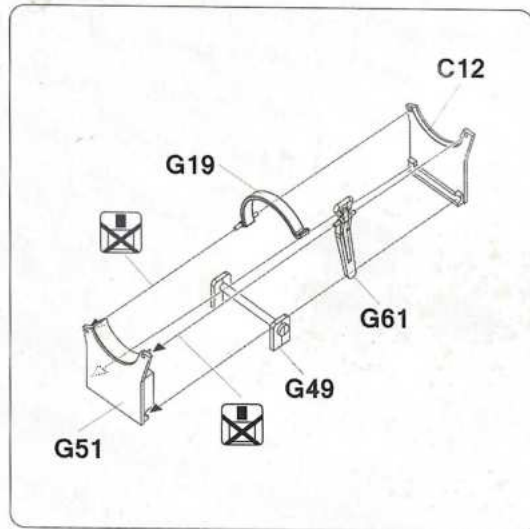
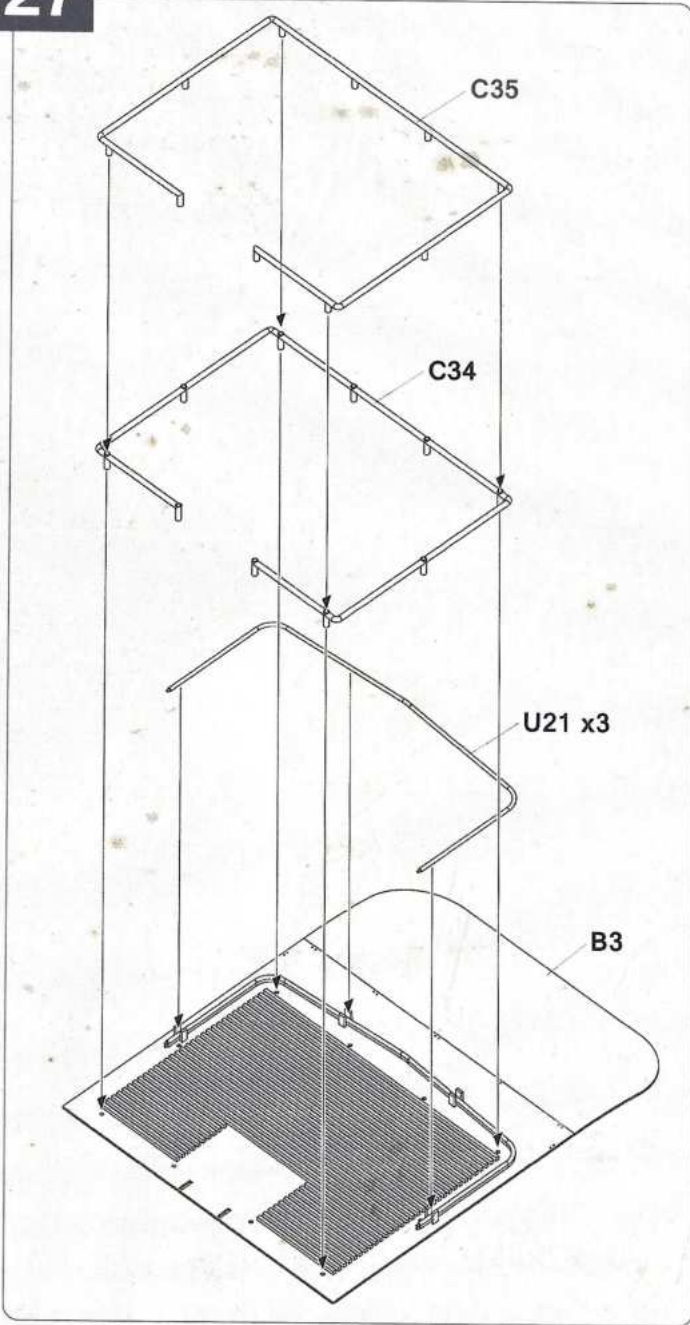


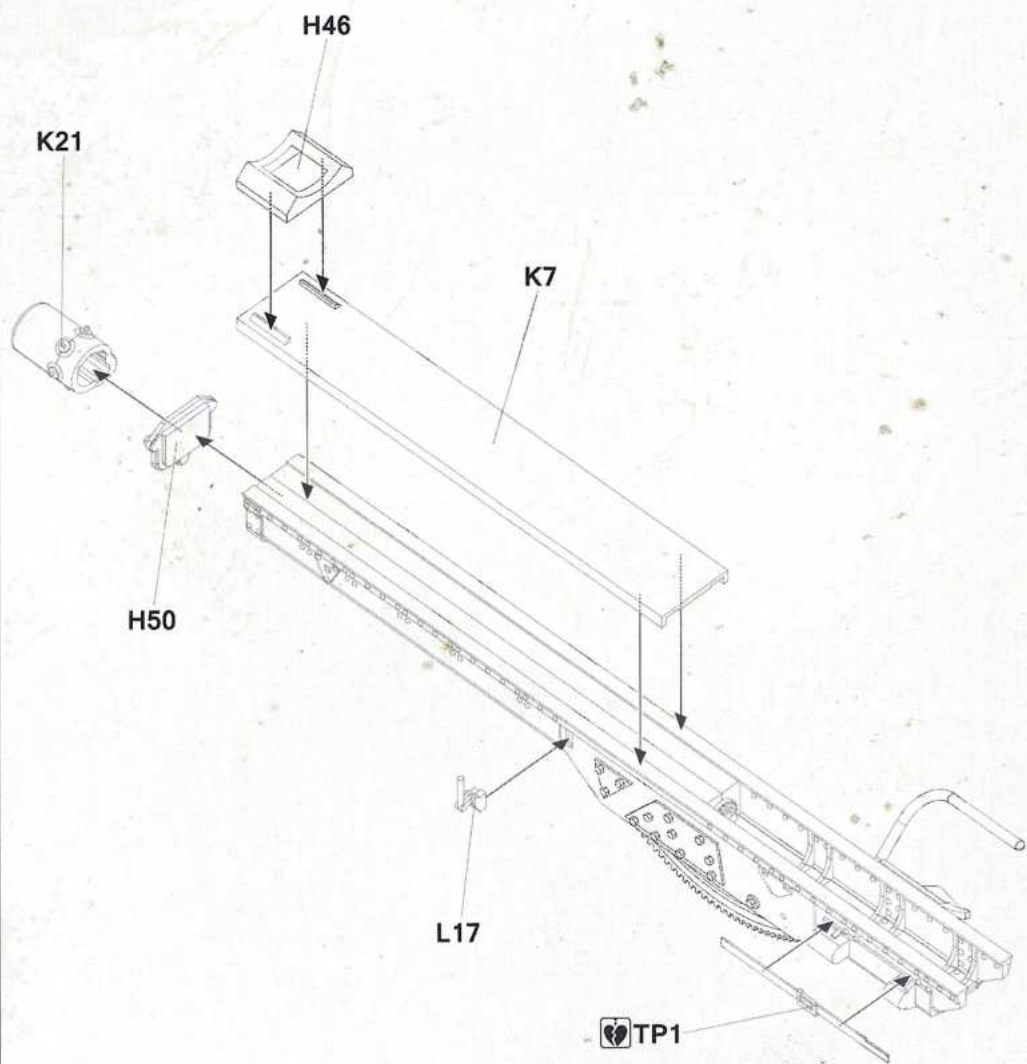
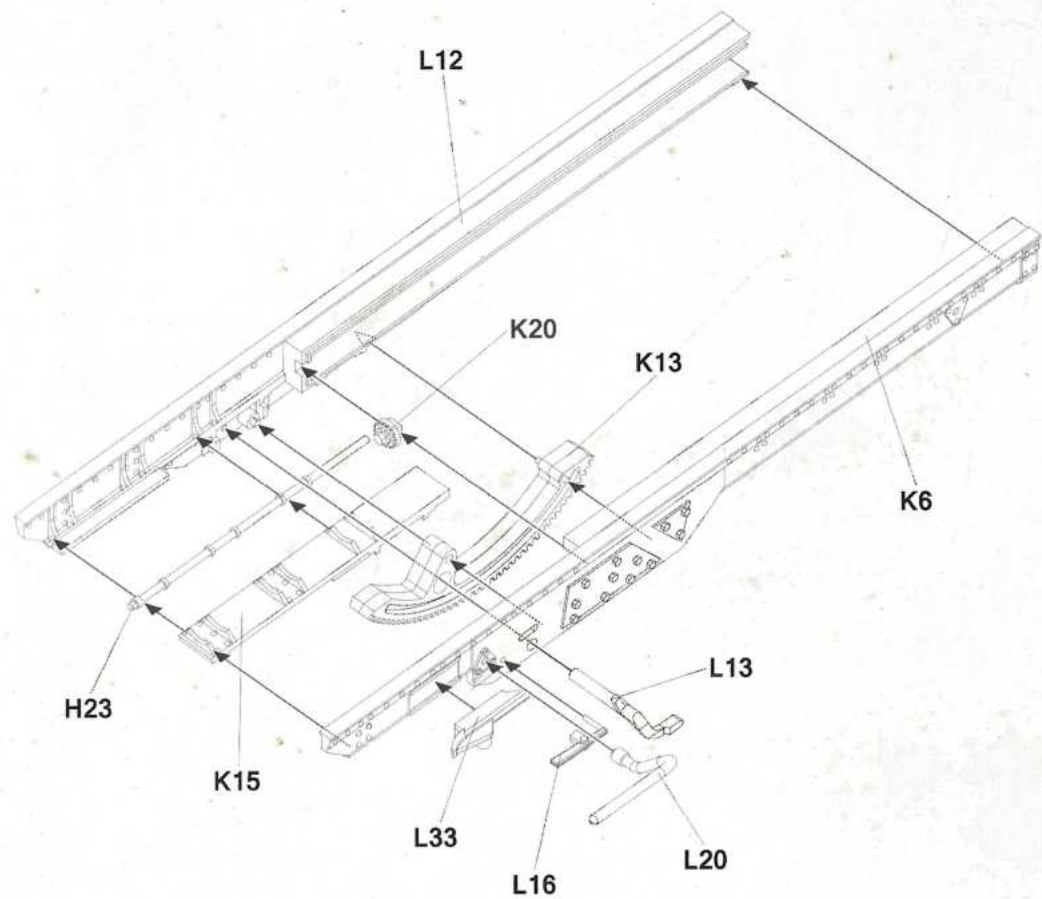
If building in travel mode, install the outrigger leg first before installing door

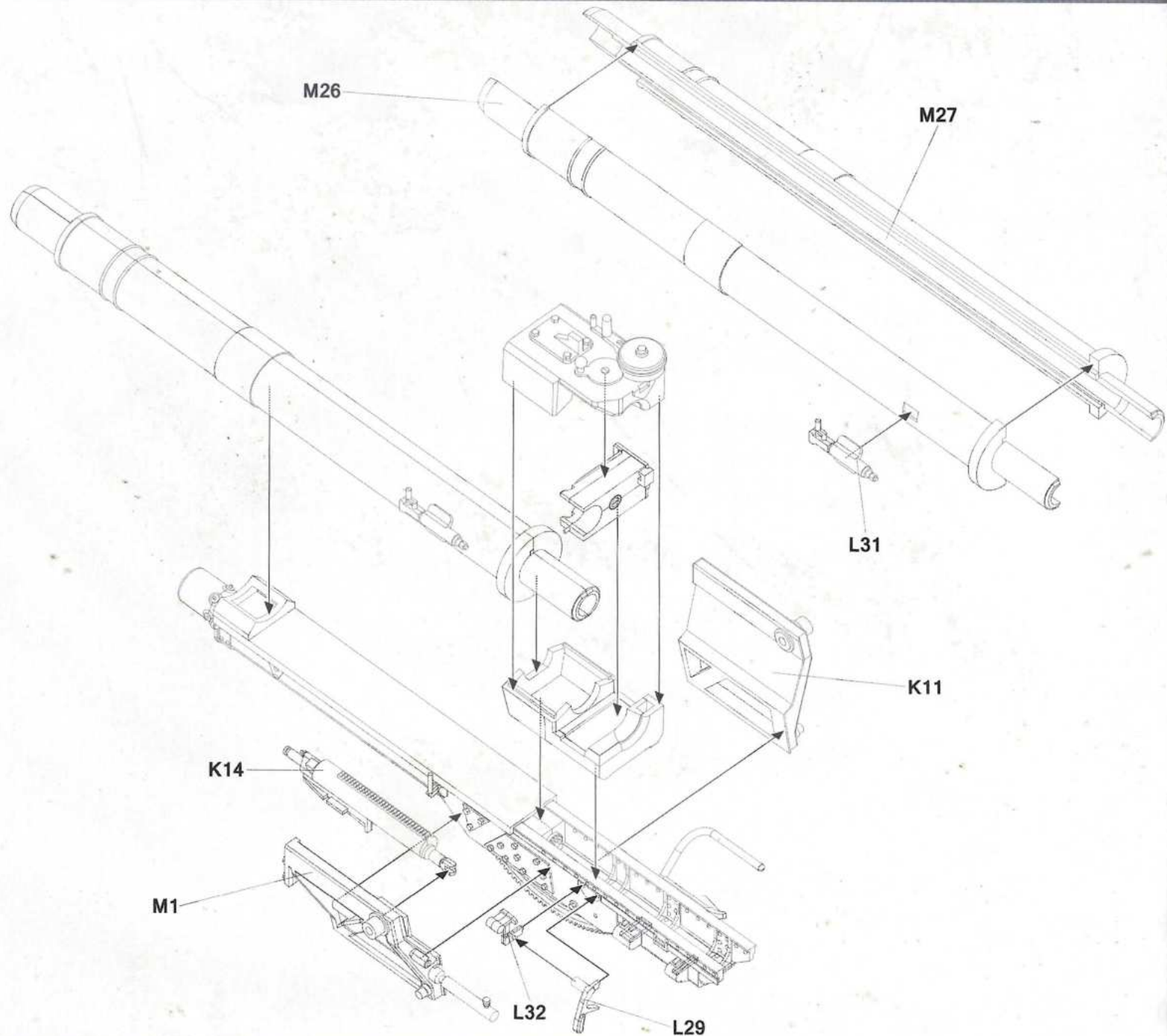
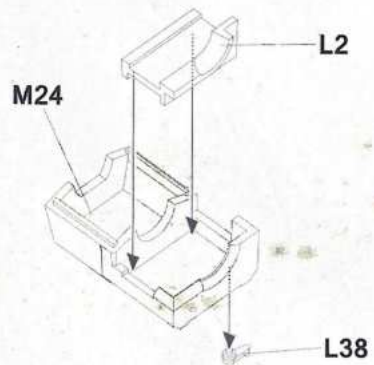
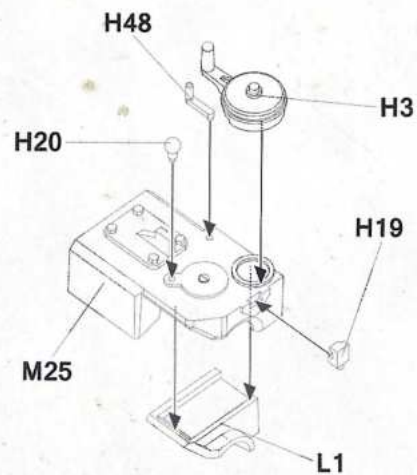
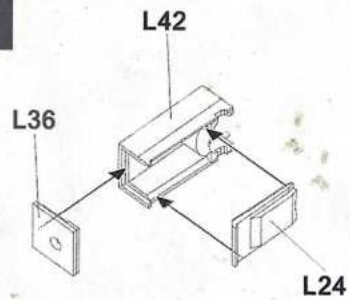




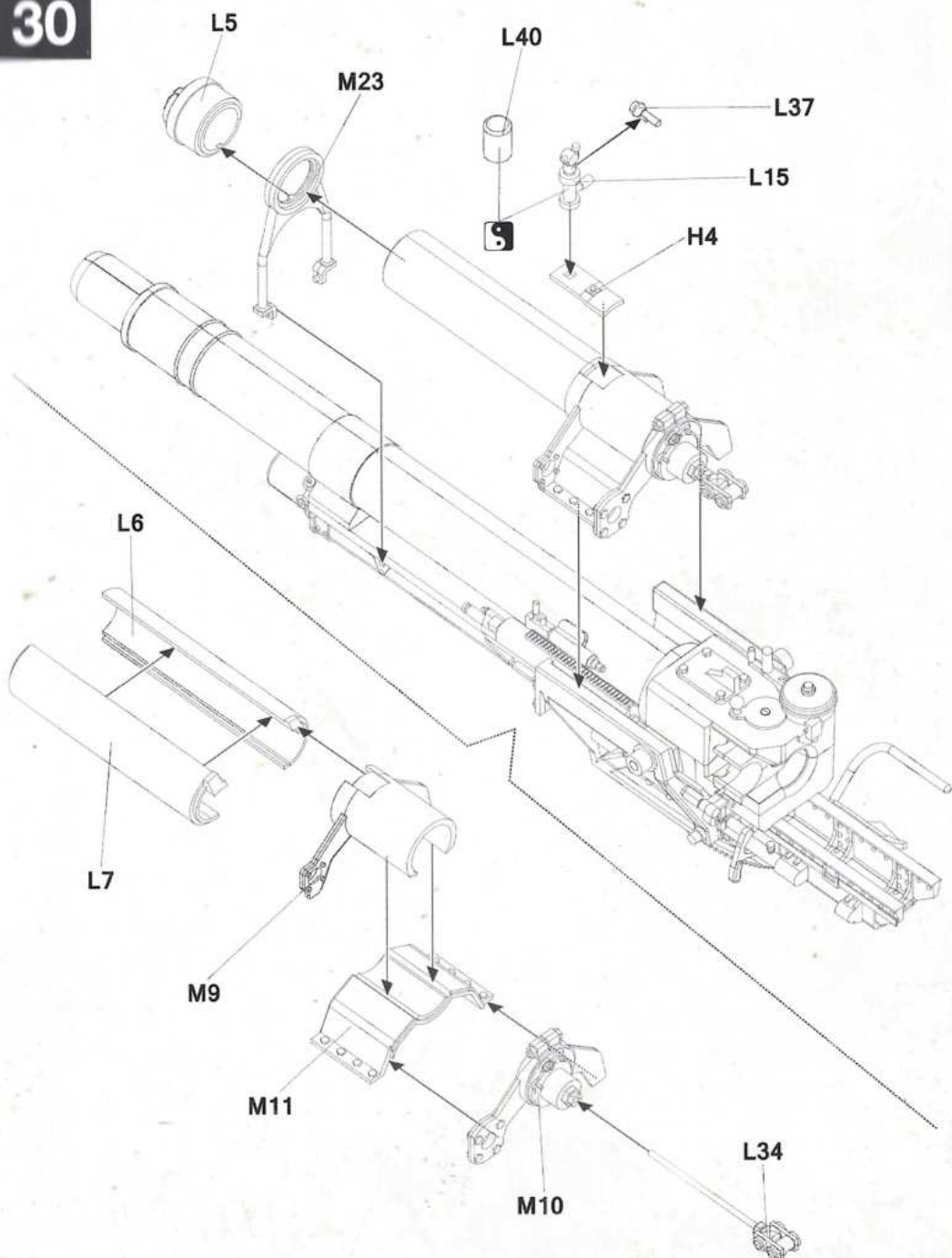




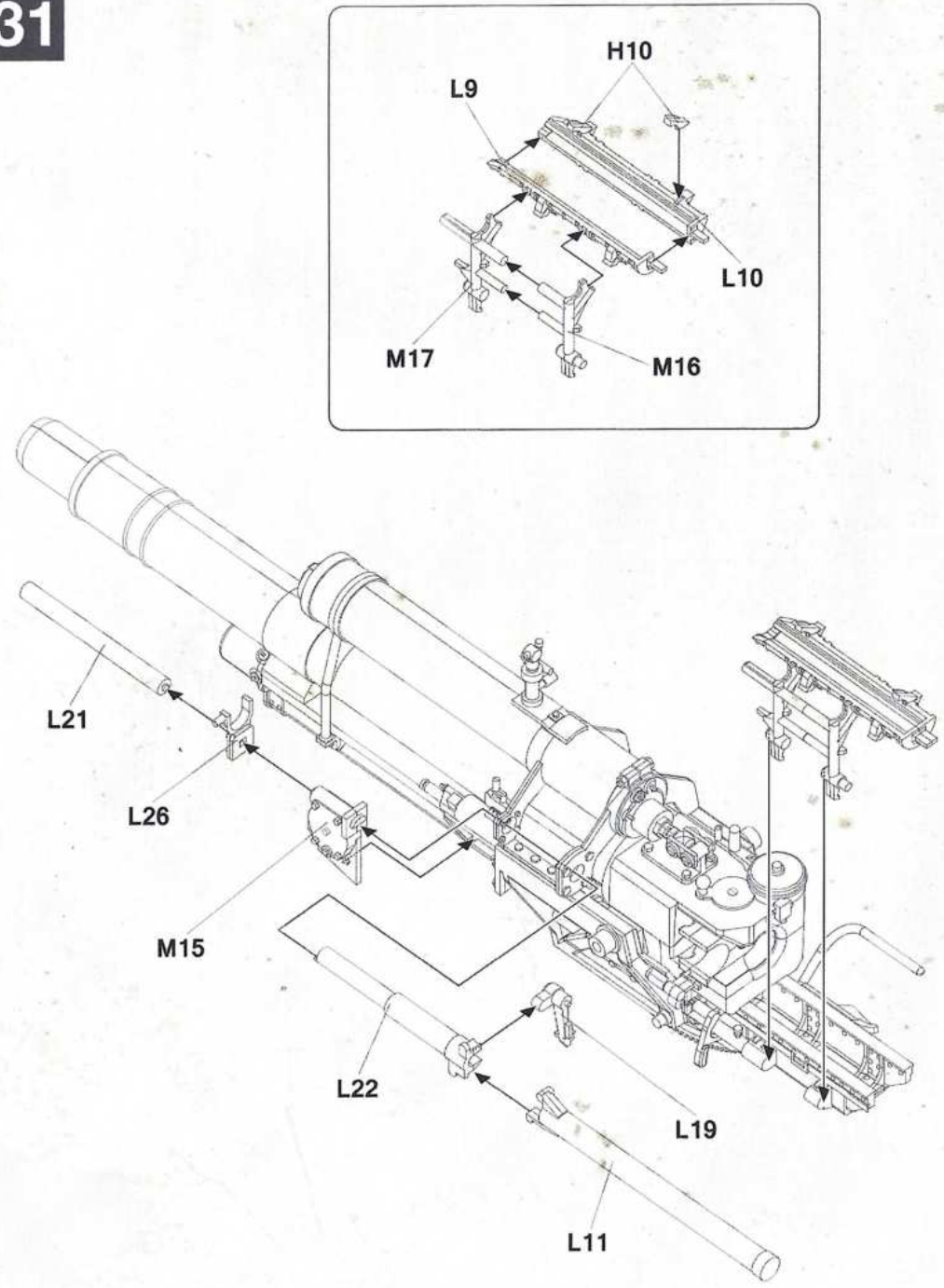


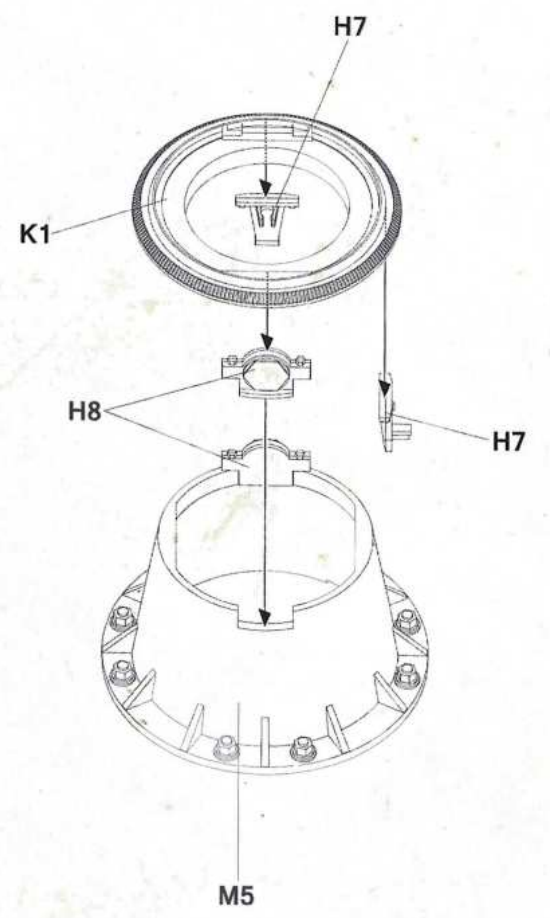
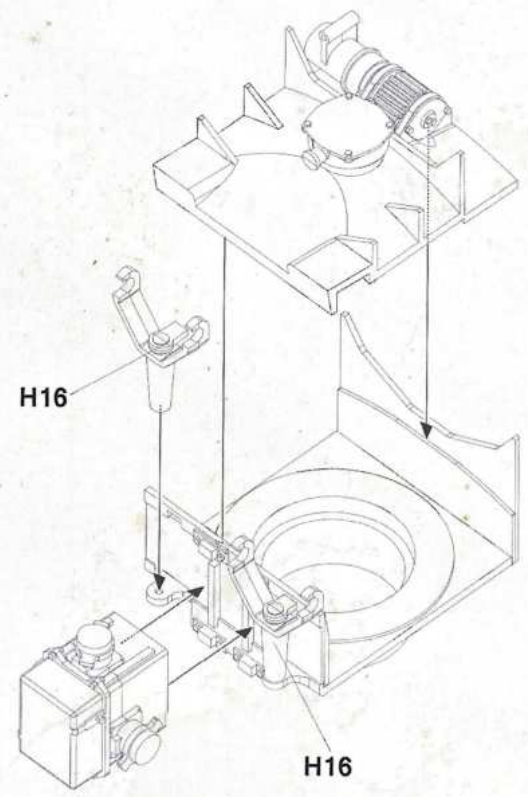
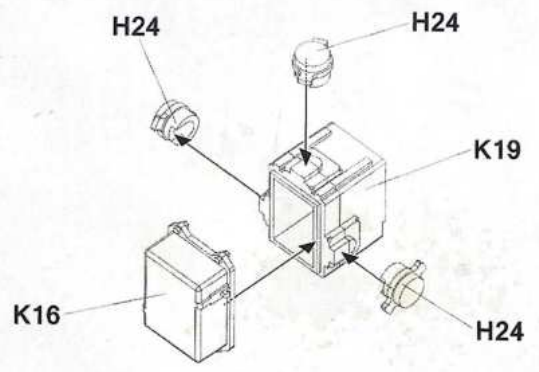
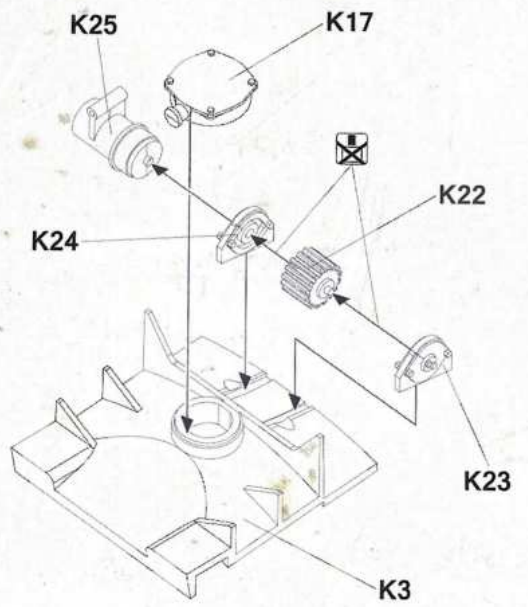
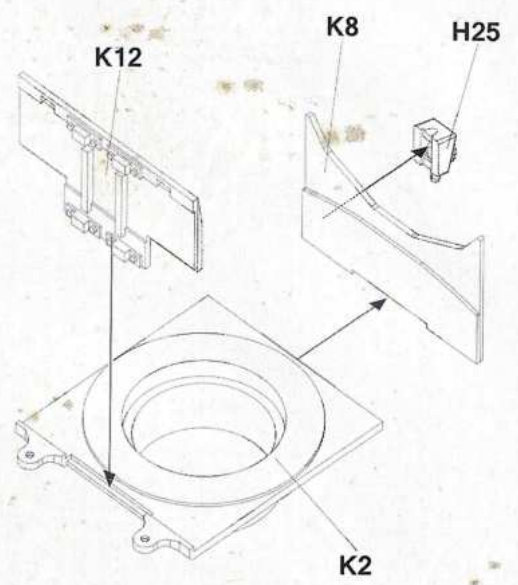


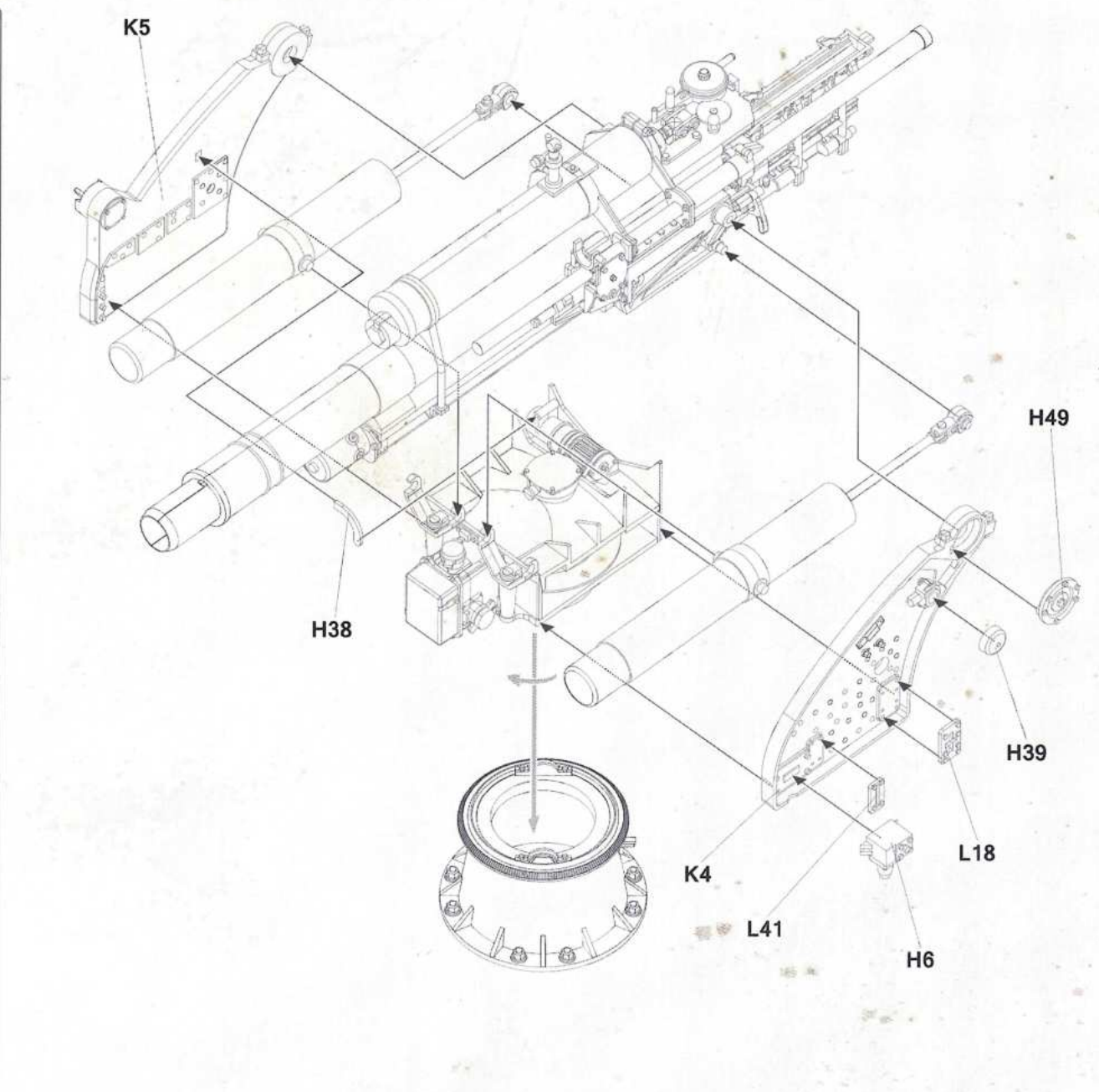
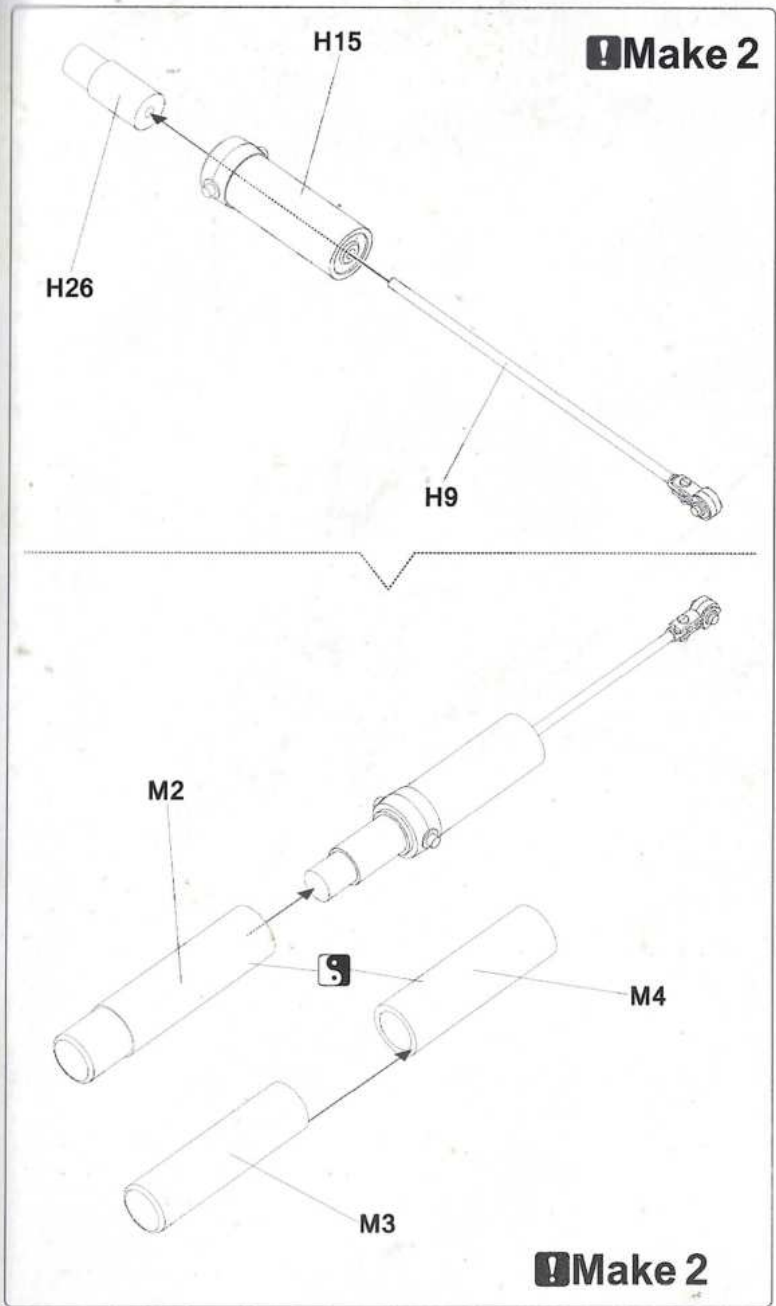
30



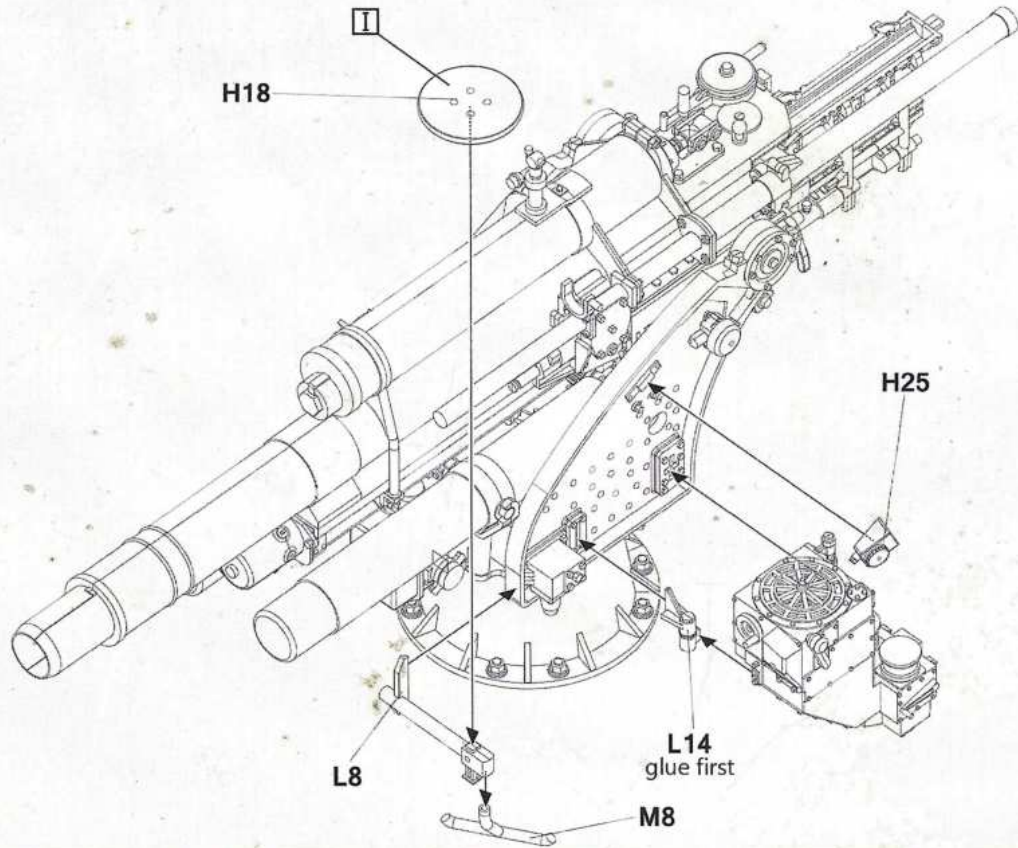
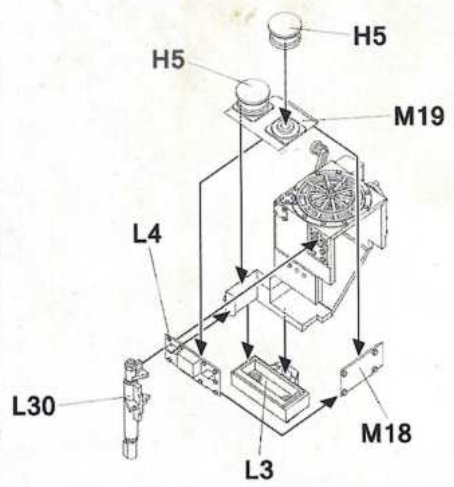
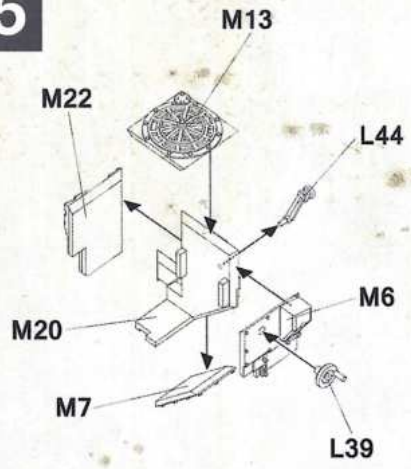
31



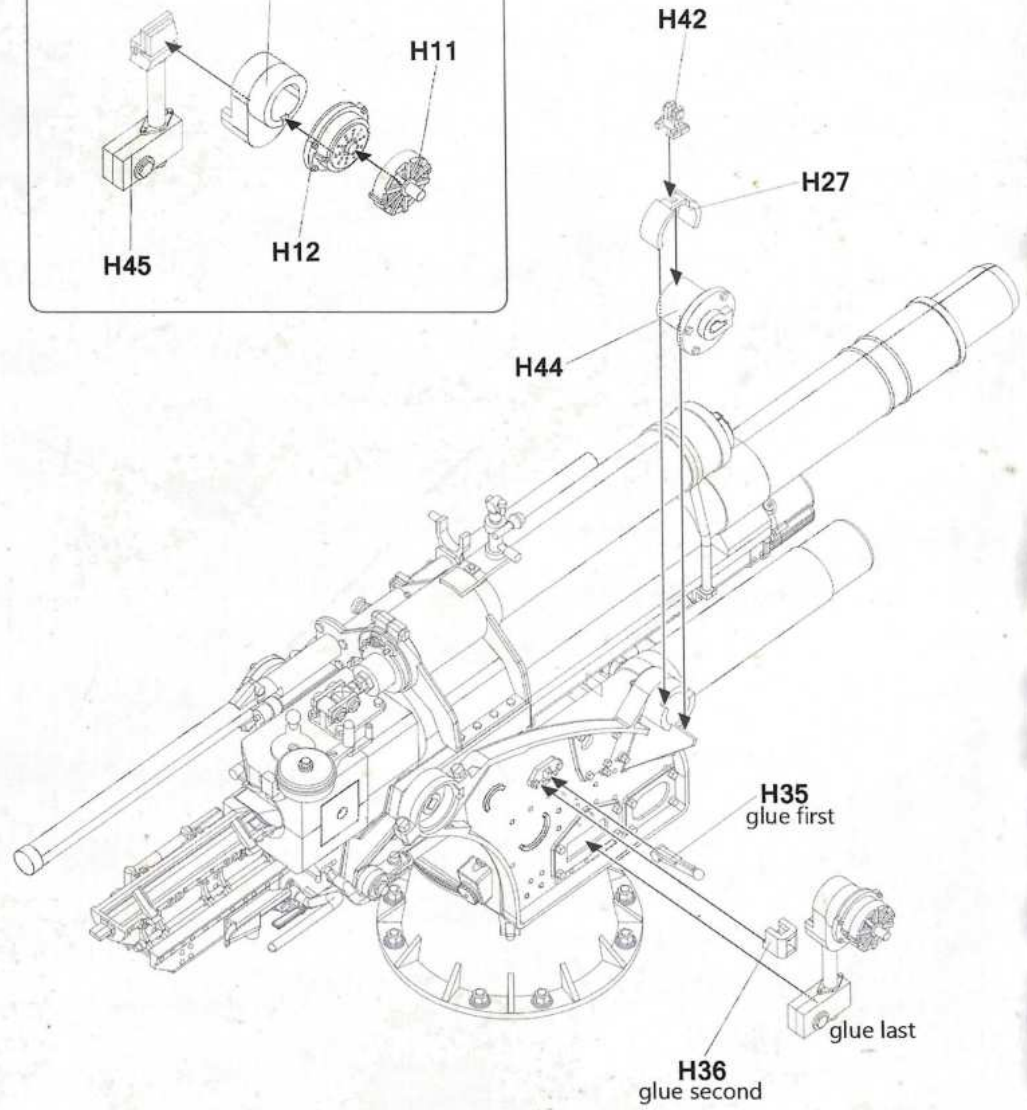
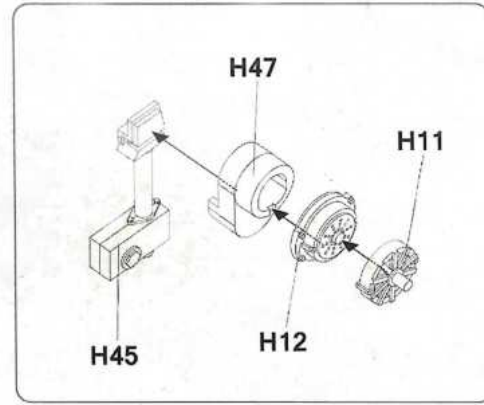




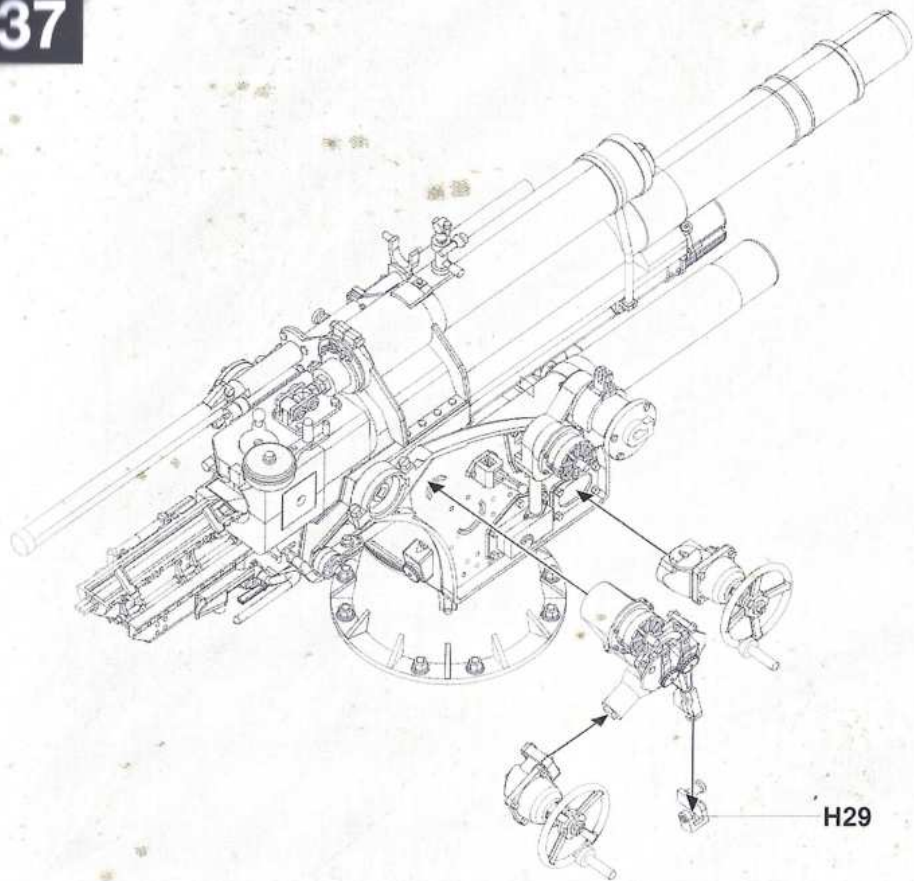
35



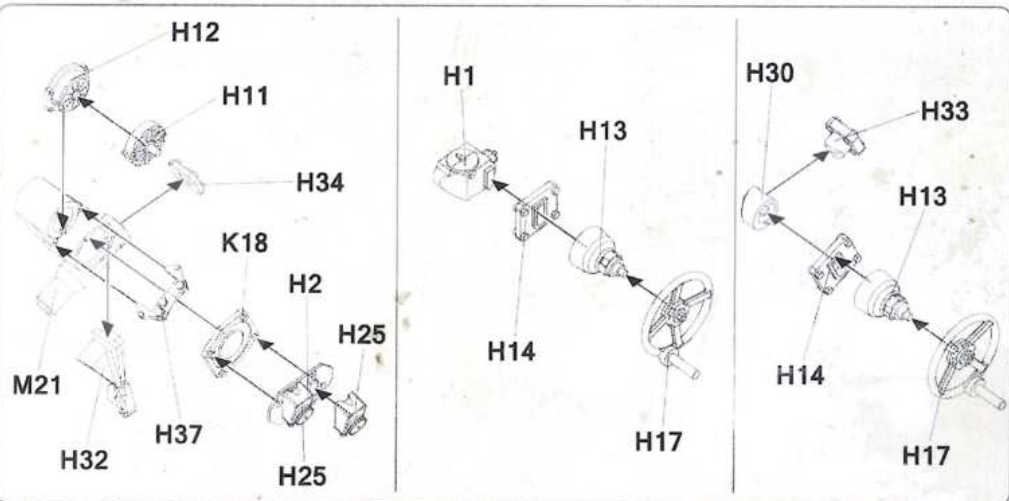
36



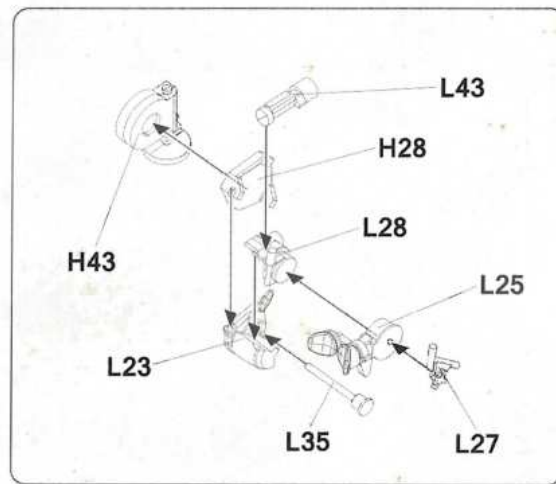
37



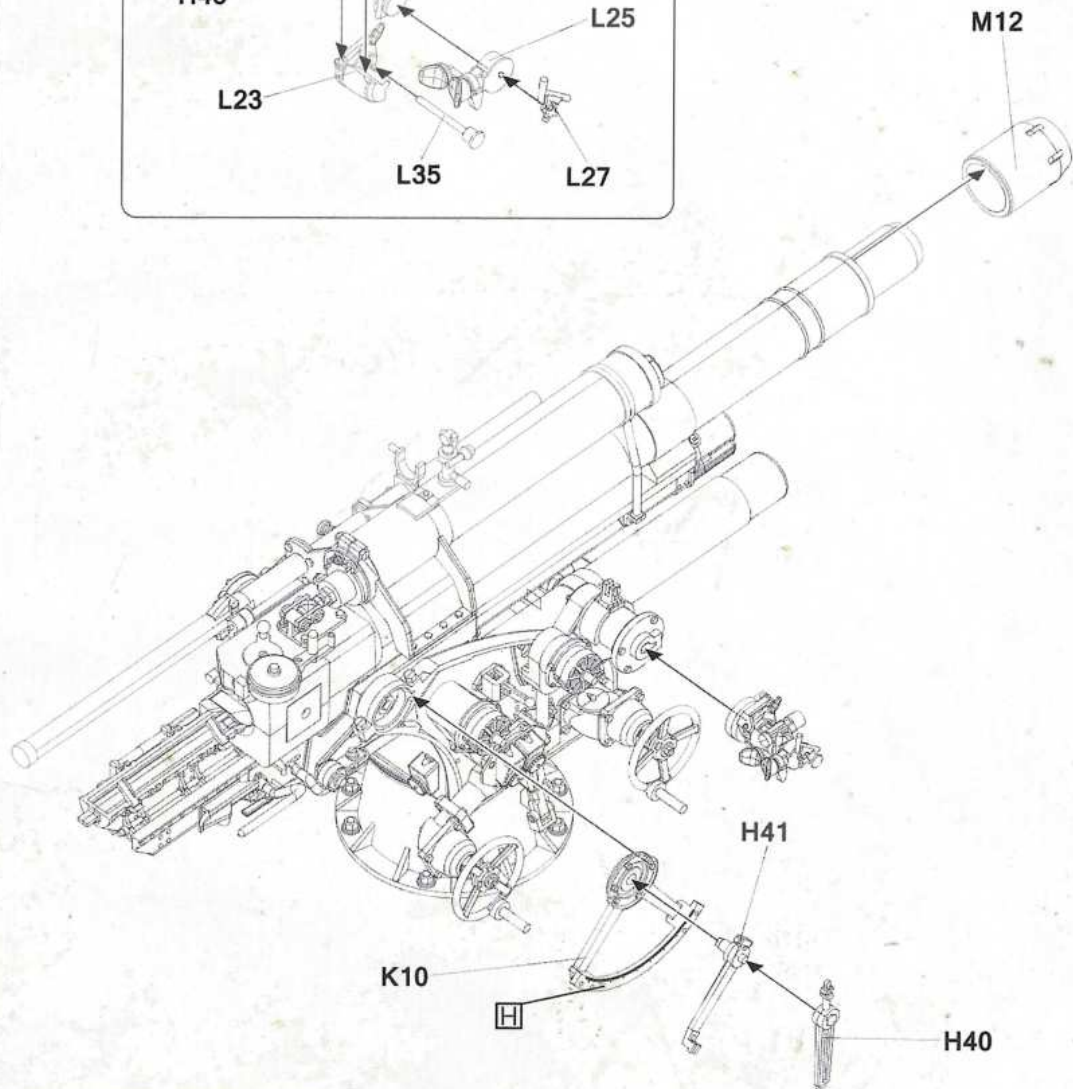
H29



38



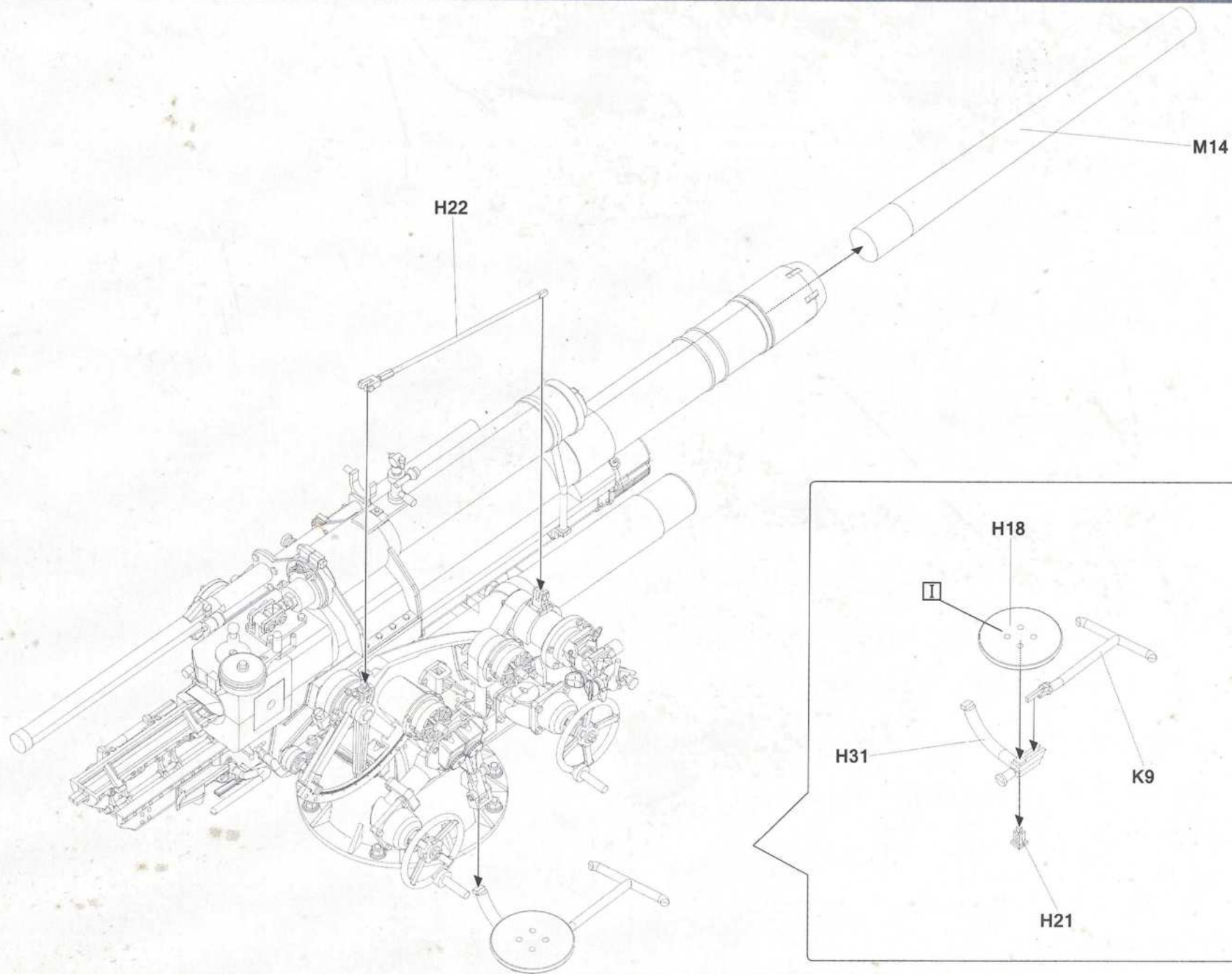
M12

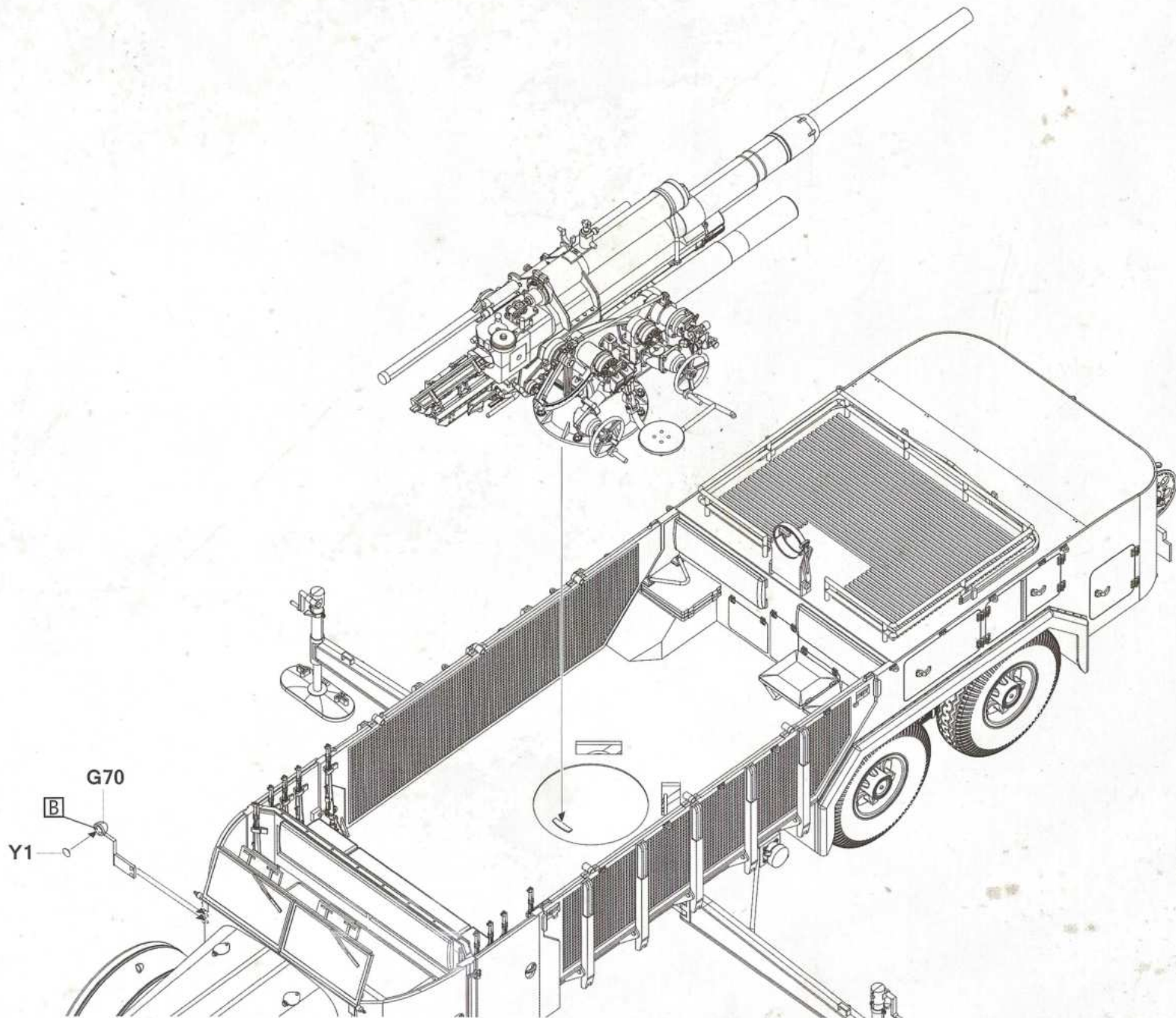


H41

K10

H40



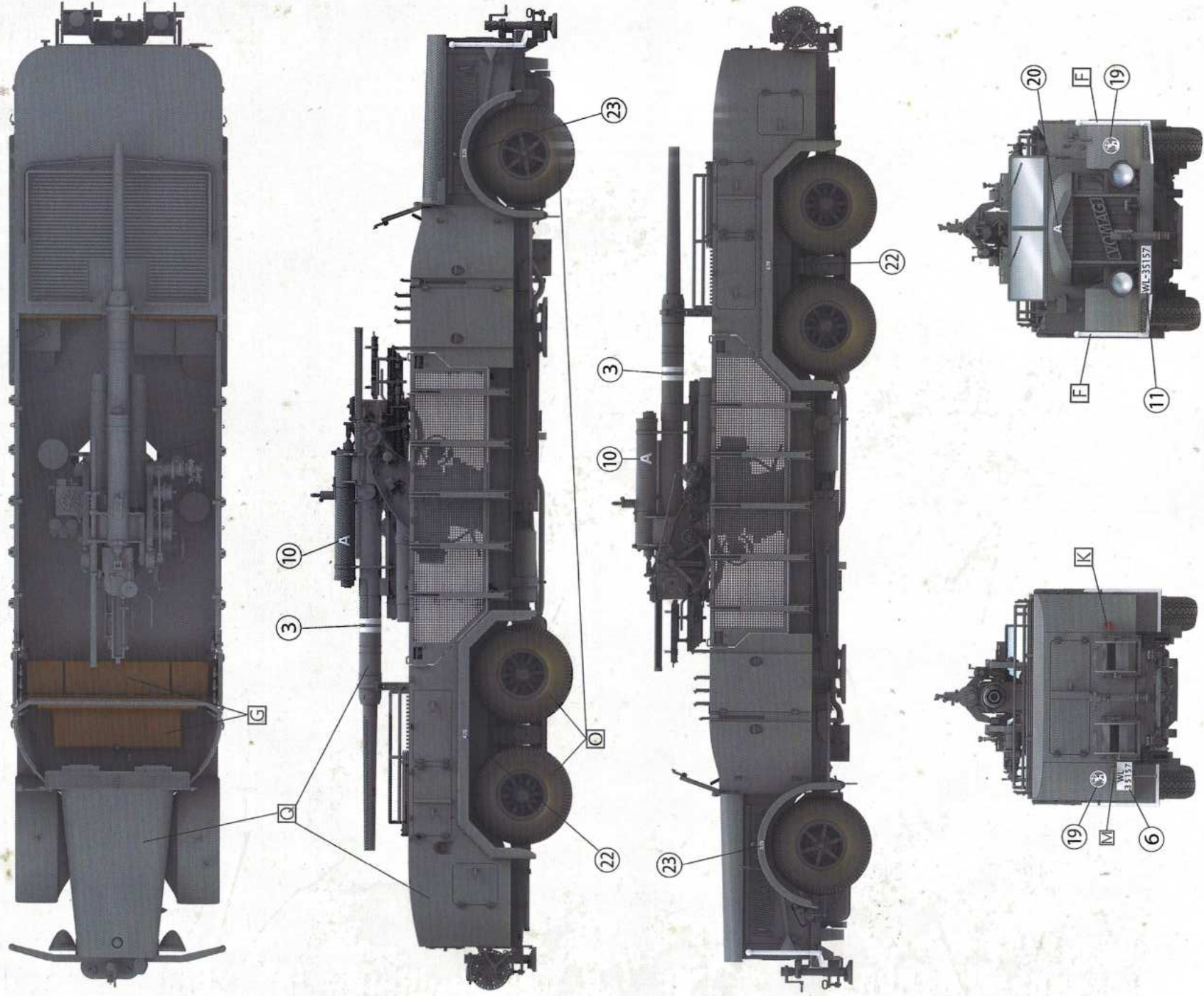


8.8cm Flak on Vomag

Painting and Marking Guide

Flak Regiment 42 1./42 (mot.S)

Bremen - Ostebshausen, North Germany, July 1942



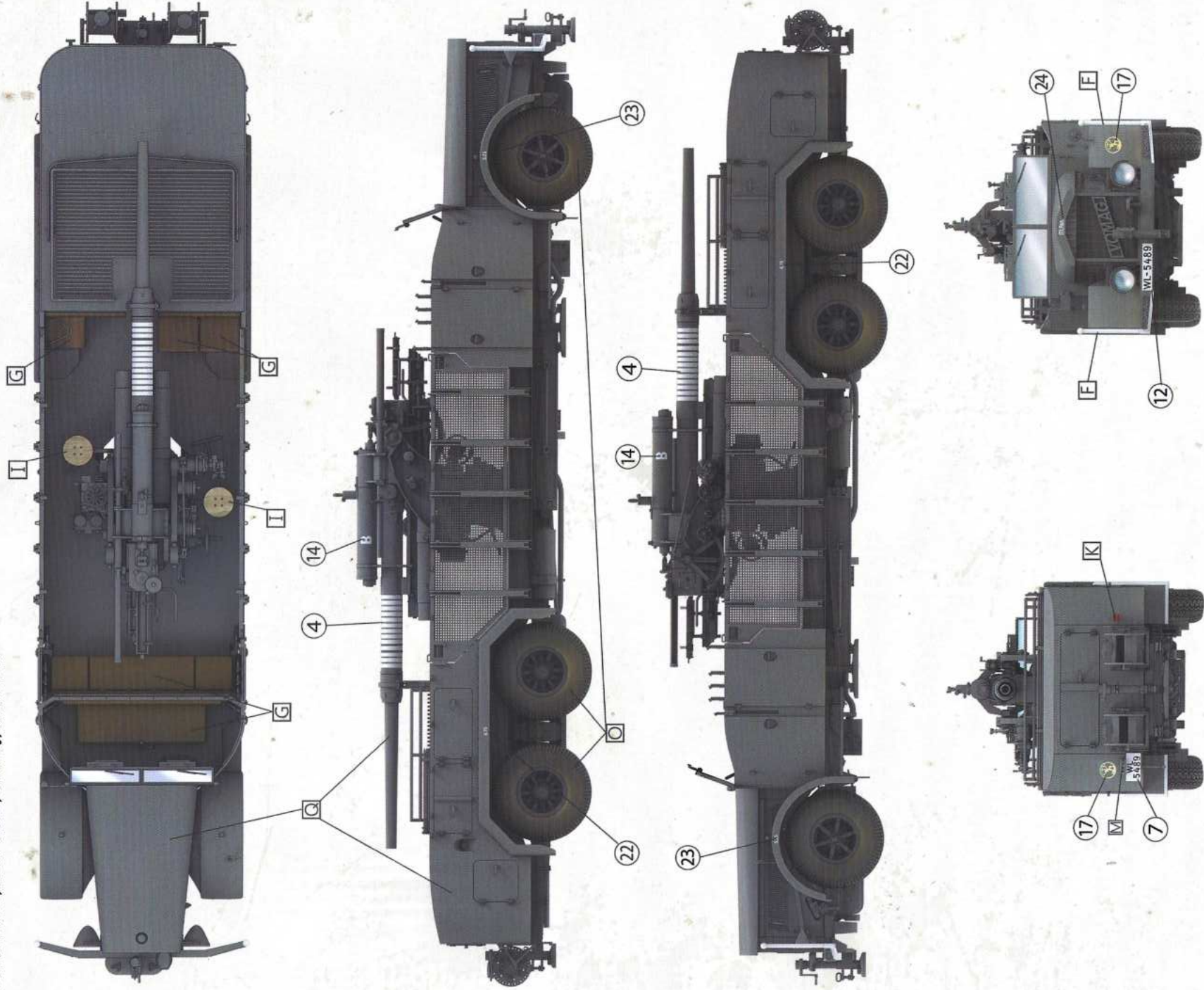


8.8cm Flak on Vomag

Painting and Marking Guide

Flak Regiment 42 I./42 (mot.S)

Zeche St. Katharina, Essen-Steele, Germany, March 1943



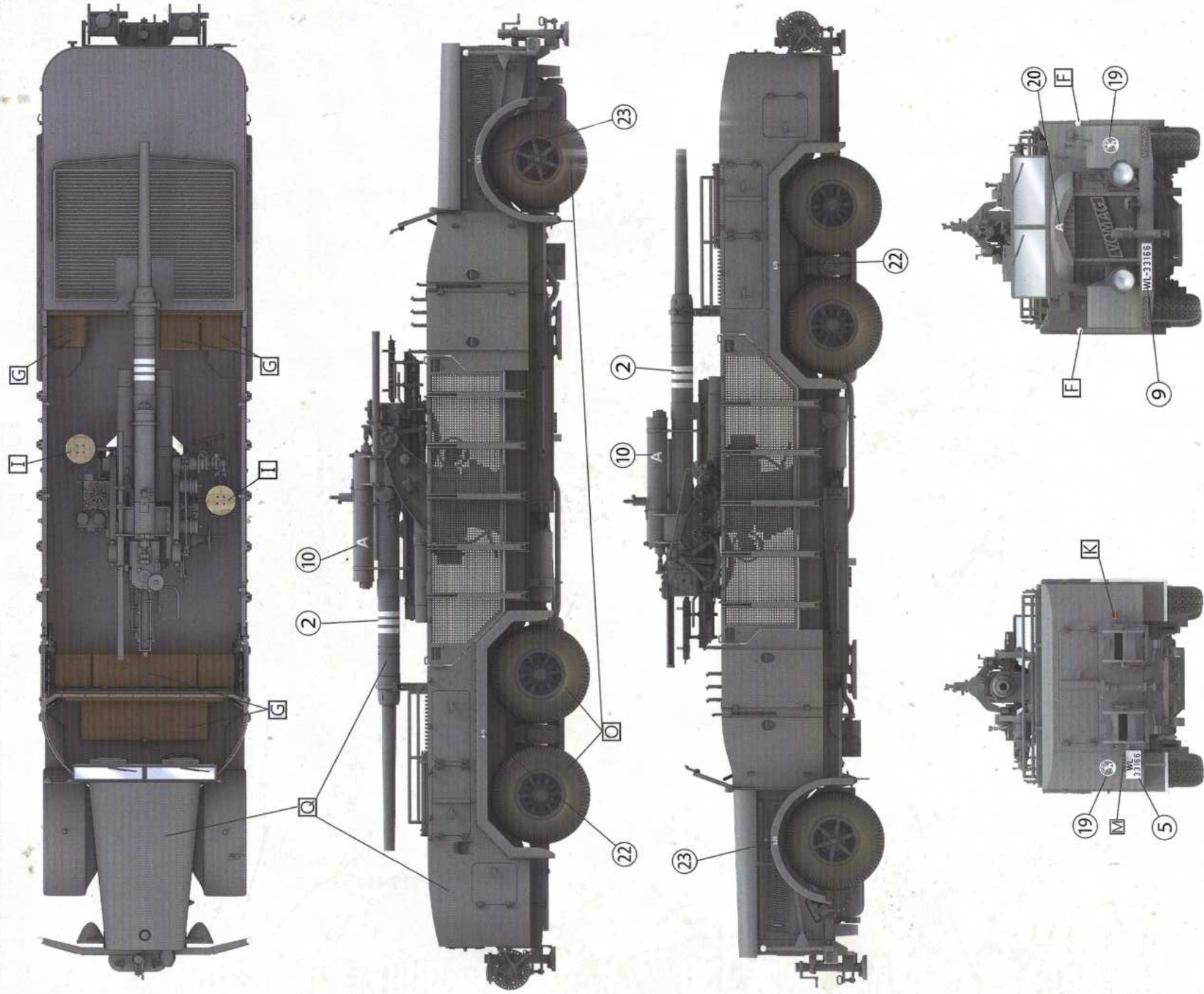


8.8cm Flak on Vomag

Painting and Marking Guide

Flak Regiment 42 I./42 (mot.S)

Renault Factory Billancourt, Paris, France, 02-03.March 1942

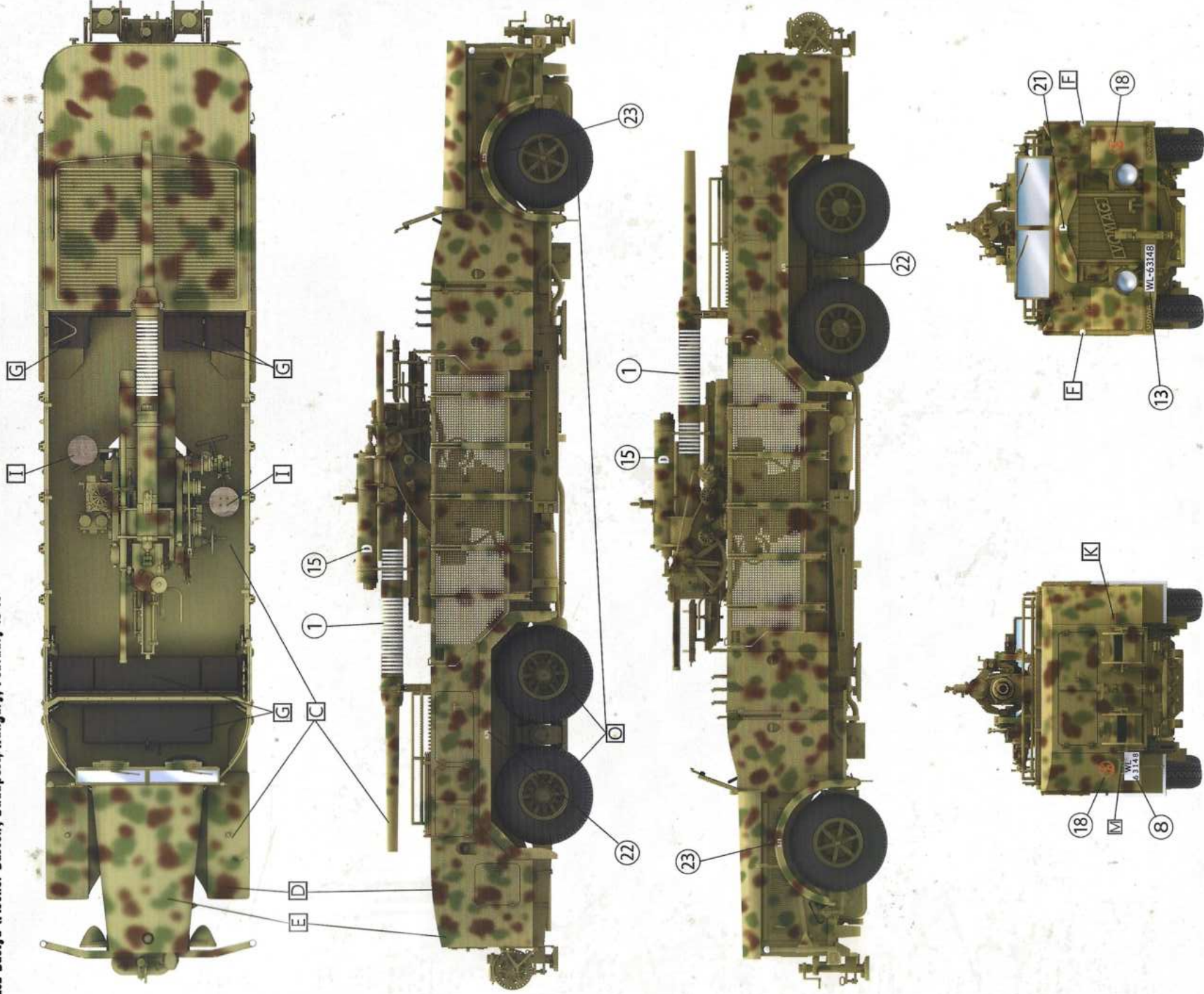


8.8cm Flak on Vomag

Painting and Marking Guide

I./Flakregiment 40

Halasz Bastya (Fischer Bastei), Budapest, Hungary, February 1945



Das Werk

Check out other great kits from us:



DW16003 - StuG III w/Winterkette (1:16)



DW35034 - LARC-V Bundeswehr (1:35)



DW35012 - Trippel SG 6/38 (1:35)



DW35037 - 8t Zgkrwg. Sd.Kfz.7 (1:35)



DW35031 - Kanonenjagdpanzer (1:35)



DW16005 - Sd.Kfz.251/1 (1:16)