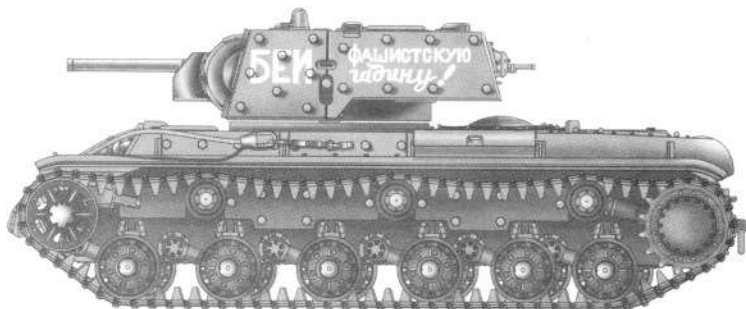


1:72 SCALE

ITEM NO.: 07230

# Russian KV-1's Ekhranami Tank 苏联 KV-1 附加装甲型坦克



### READ BEFORE ASSEMBLY:

- This kit is not recommended for inexperienced modelers or for children under 14 years of age
- Study and understand these instructions thoroughly before beginning assembly
- When needed, remove photo-etch parts carefully using a modeling knife or photo etch sprue cutter, being careful not to damage or lose small parts.
- Take extra care in handling photo etch parts in order to avoid injury
- Apply instant cement sparingly to photo etch parts where instructed
- Tools recommended(not included in kit):Plastic and instant cements,sprue cutters,long nose pliers, modeling knife, small files, tweezers, pin vise & scissors. Soft cloth and sandpaper will also assist in construction
- Glue and paint are not included in the kit. Use plastic cement and hobby paints only. Color guide for purchasing paint is included in the kit.
- Keep out of reach of children. They must not be allowed to ingest small parts or handle plastic bags in any way.

### 装配之前仔细阅读

- 小心用模型锉刀锉平所有零件表面的注射浇口。
- 小心用刀片切下蚀刻片零件，不要遗失小零件。
- 用强力快干胶水粘合蚀刻片零件和金属轴。过量的快干胶水使用可能导致可动零件会粘住，小心涂胶。
- 取蚀刻片时应特别注意安全，防止利边划伤手指。
- 某些零件表面需贴水上贴纸，请选择在装配的同时进行。
- 推荐模型工具(自备)：胶水，水口剪刀，长阻钳，刀片，锉刀，镊子，钳，钻，剪刀，瞬间快干胶。
- 软布同砂纸同时也应该是必备工具。
- 请使用塑料胶水和油漆，模型内不含。
- 谨防小孩吸吮塑料零件，或者将塑料袋套在头上，制作时应将套材远离小孩接触。
- 本产品不适合14岁以下没有经验的模型爱好者。



cyanoacrylate glue  
使用强力胶



weight  
配重



make hole  
钻孔



cut / remove  
切除



bend  
弯曲



file / sand  
锉平



option  
选择



no cement  
不涂胶水



decal  
贴纸

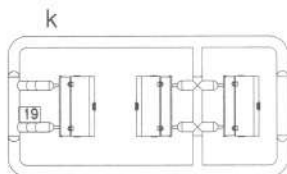
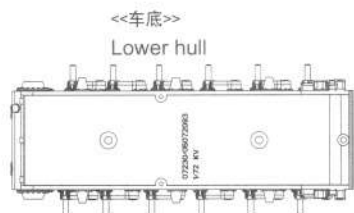
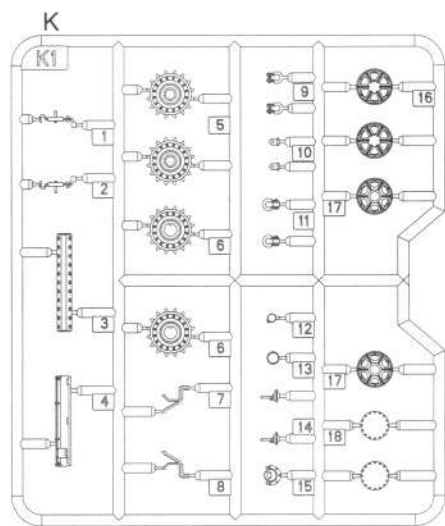
### 水贴纸的使用:

1. 从水贴纸上剪下印花;
2. 将印花放入温水中浸10秒, 然后放在干净布上.
3. 拿着印花纸板将印花移到模型上;
4. 手指蘸水将印花移到适当的位置;
5. 用软布轻压印花直至水干, 气泡消失.

### DECAL APPLICATION

1. Cut off decal from sheet.
2. Dip the decal in tepid water 40°C for about 10 sec. and place on a clean cloth.
3. Hold the backing sheet edge and slide decal onto the model.
4. Move decal into position by wetting decal with finger.
5. Press decal gently down with a soft cloth until excess water and air bubbles are gone.
6. Allow decal to dry completely before handling model.

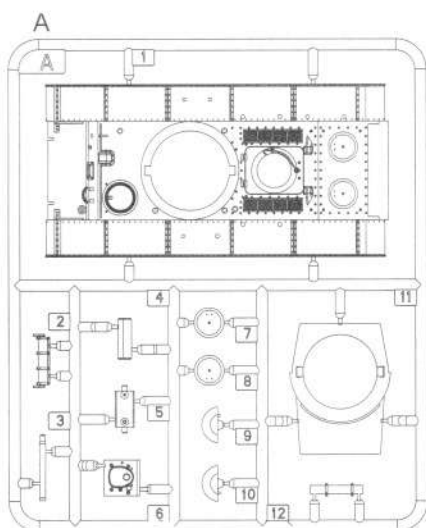
# 部品图 Parts



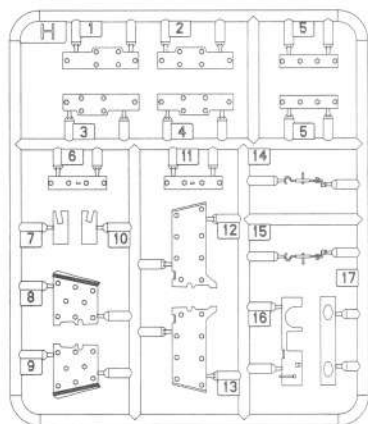
<<水贴>>  
Decal



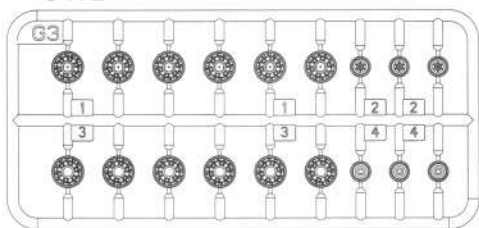
<<炮塔>>  
Turret



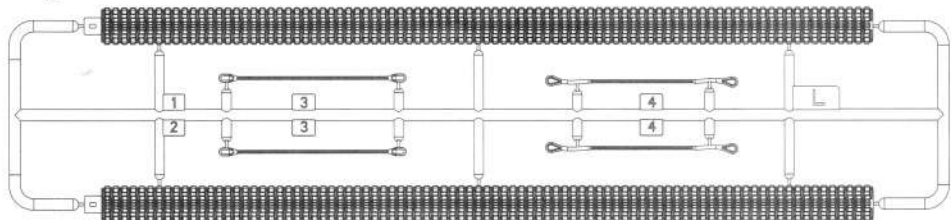
H



G X 2

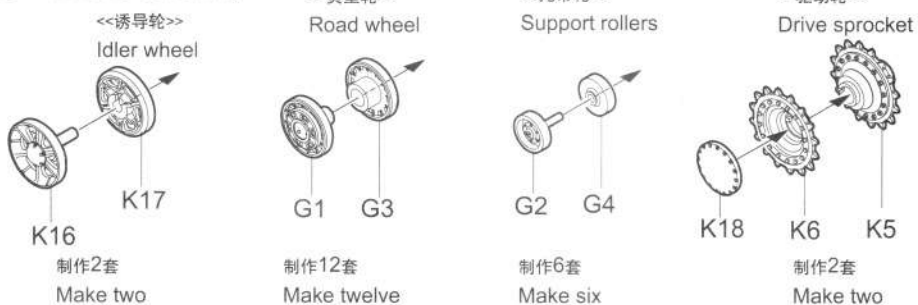


L

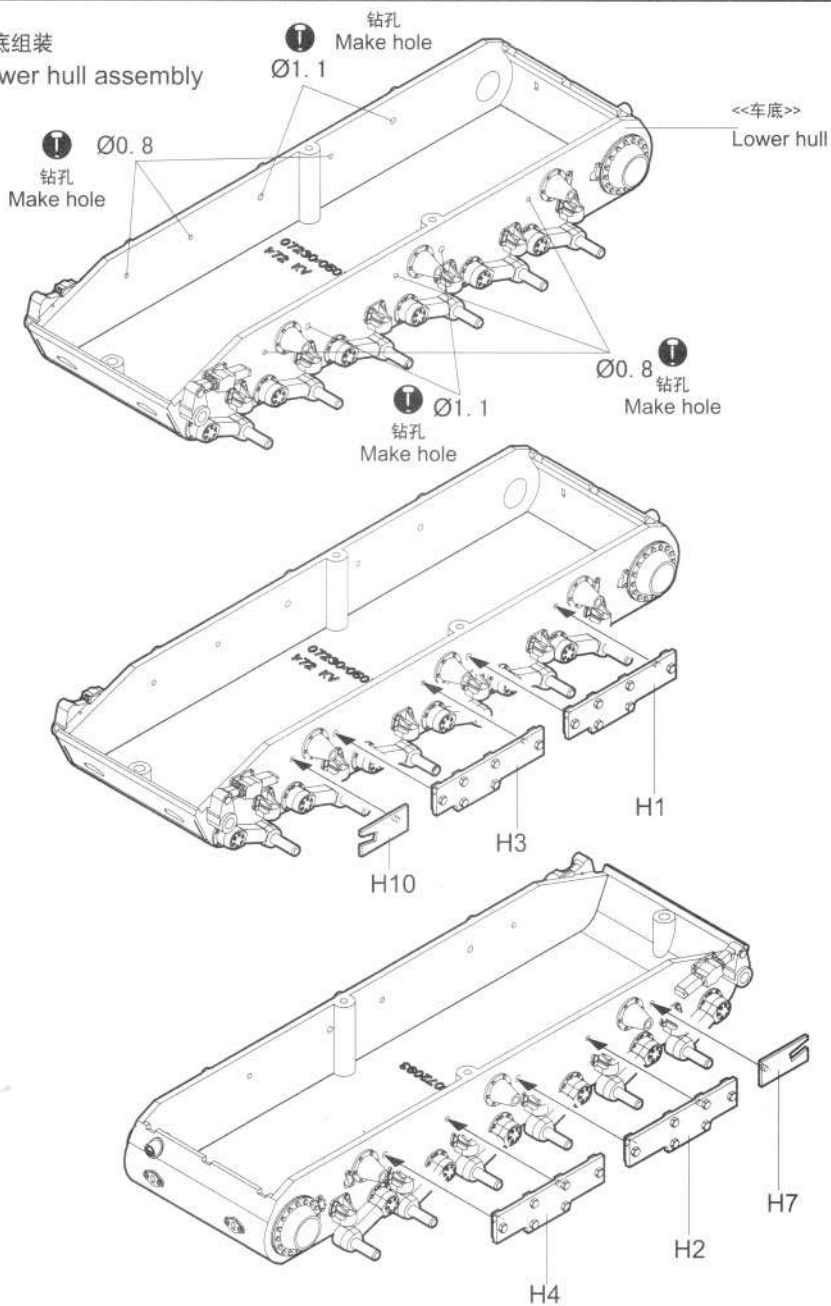


不用部件: K1.K2.L4  
Unused parts

**1** 车轮组装  
Wheels assembly



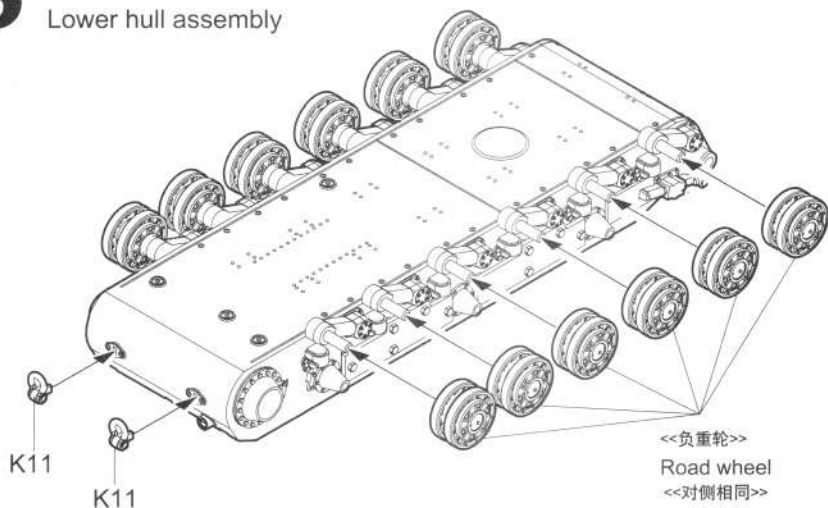
**2** 车底组装  
Lower hull assembly



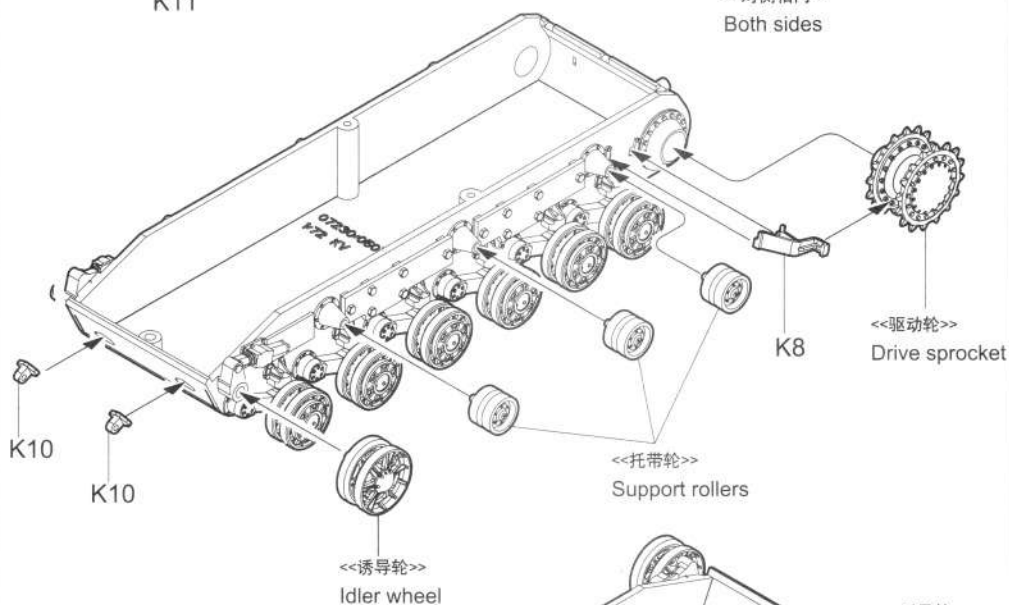
3

车底组装

Lower hull assembly



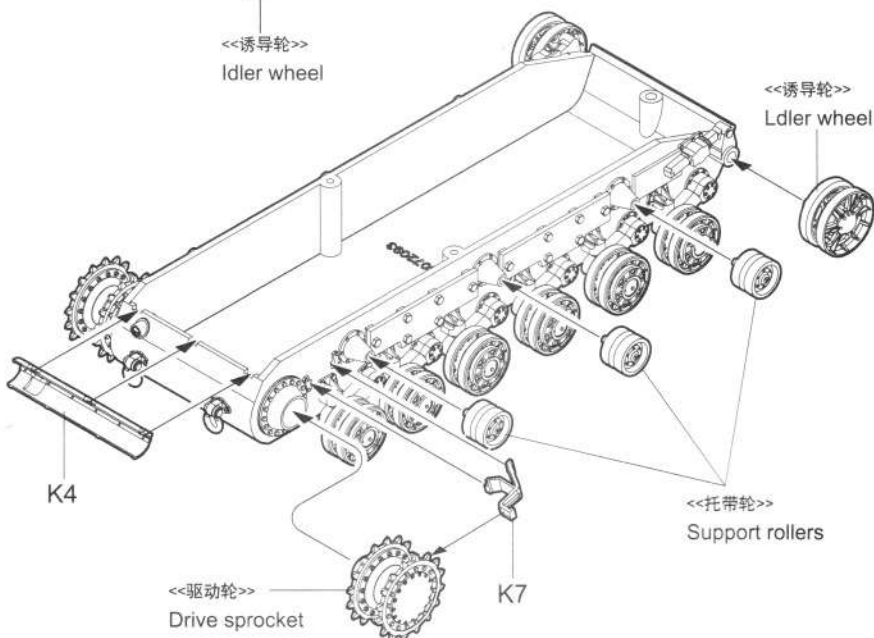
<<负重轮>>  
Road wheel  
<<对侧相同>>  
Both sides



<<驱动轮>>  
Drive sprocket

<<托带轮>>  
Support rollers

<<诱导轮>>  
Idler wheel



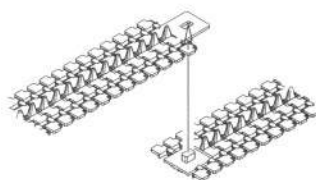
<<诱导轮>>  
Idler wheel

<<托带轮>>  
Support rollers

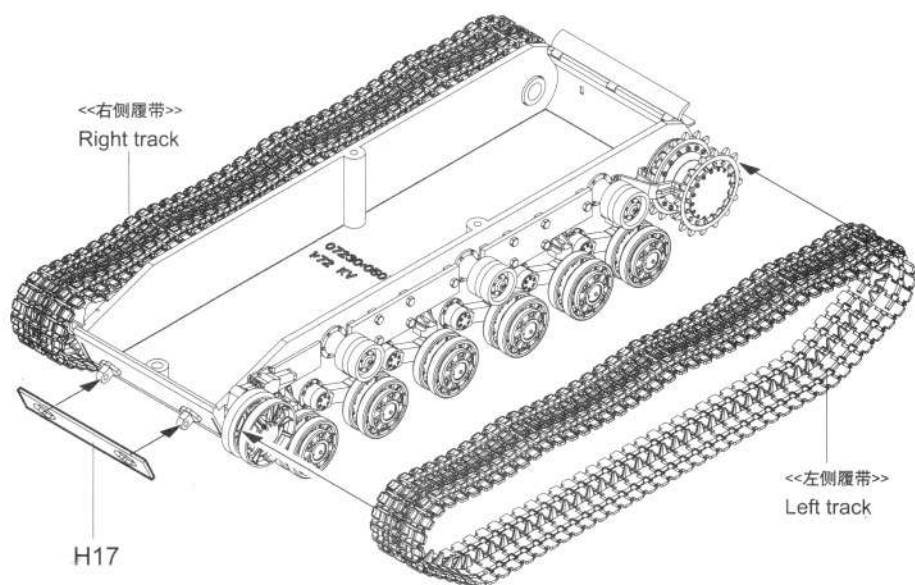
<<驱动轮>>  
Drive sprocket

## 4 履带连接 Track construction

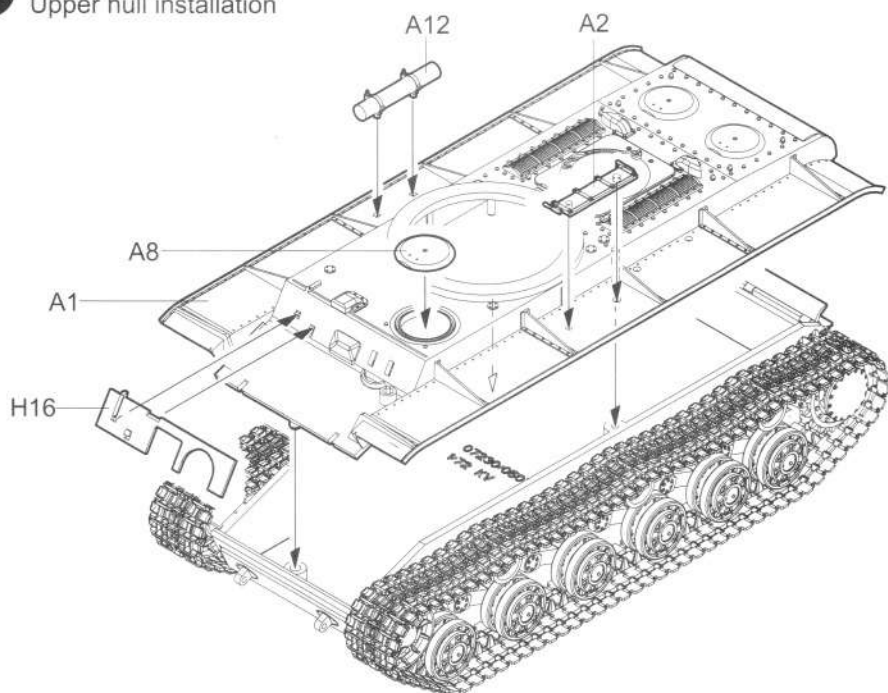
- 履带可用塑料胶水粘合。
- 履带可用模型油漆喷涂。
- 若履带断裂，用细丝线固定。
- The tracks in this kit can be glued using plastic cement.
- The tracks can be painted using plastic paints.
- If track is broken strengthen with staples or thread.



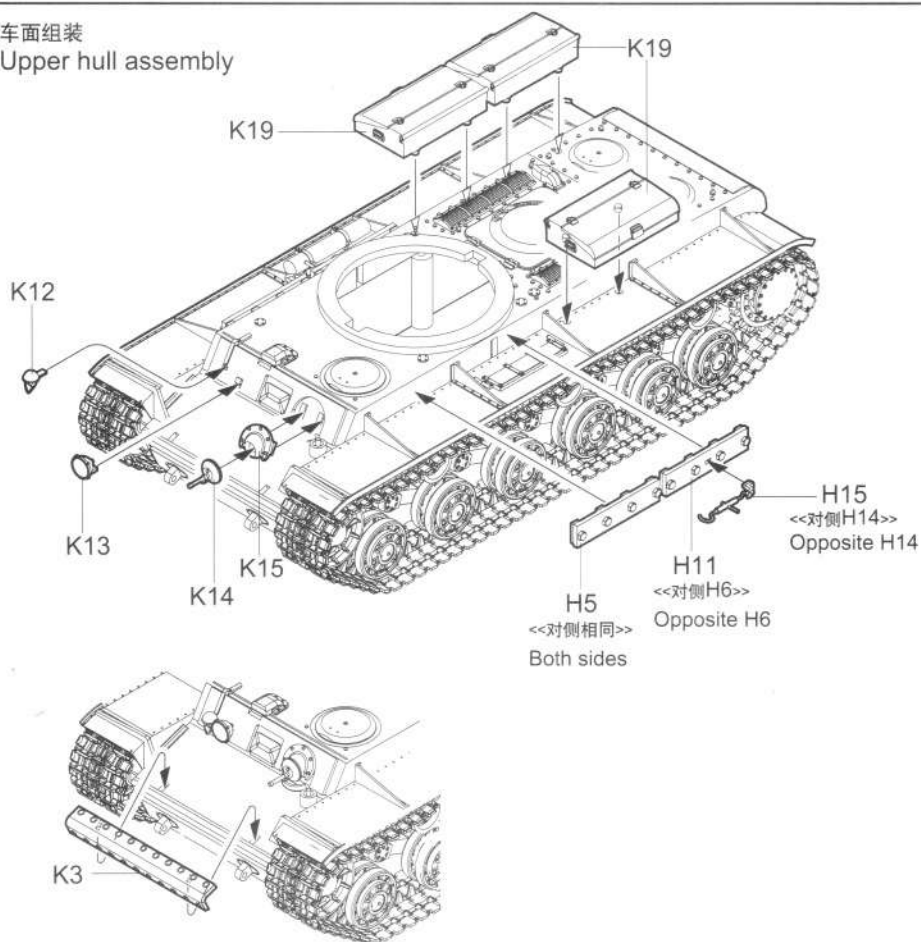
## 5 履带安装 Track installation



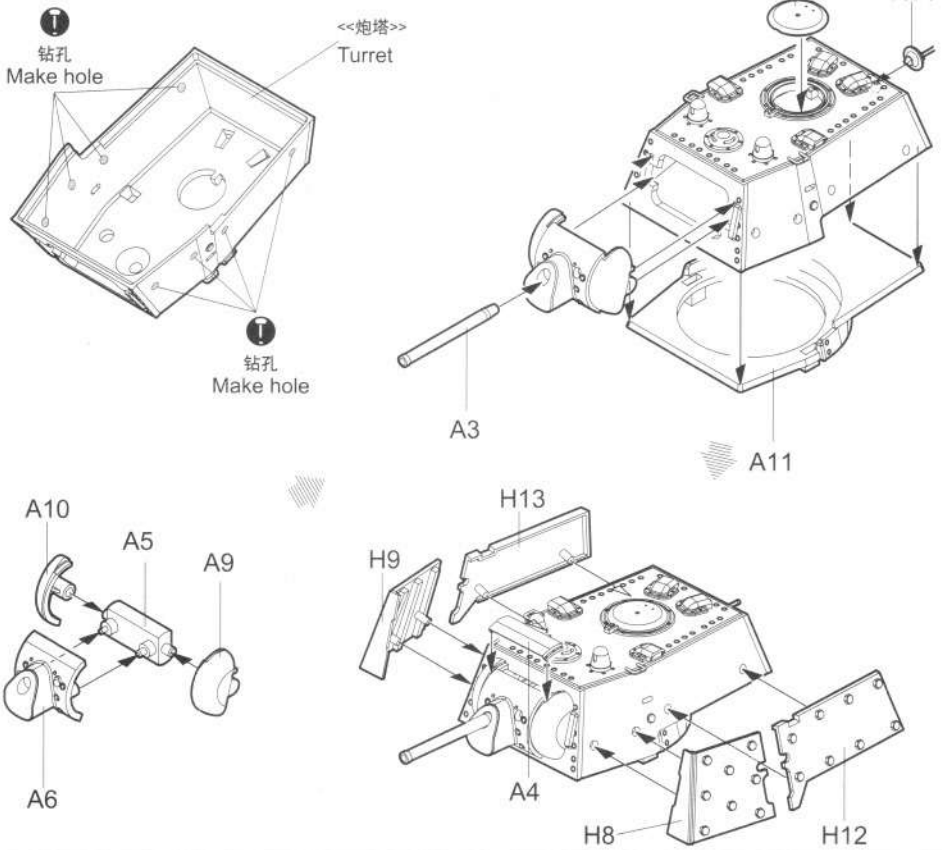
**6** 车面安装  
Upper hull installation



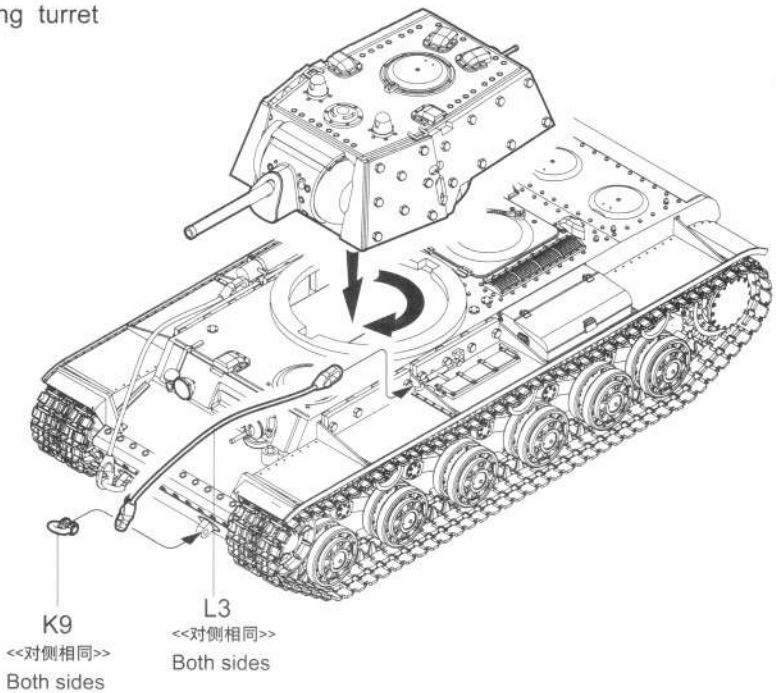
**7** 车面组装  
Upper hull assembly



## 8 炮塔组装 Turret assembly



## 9 炮塔安装 Attaching turret



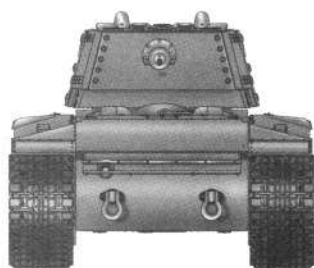
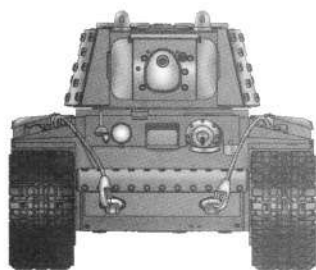
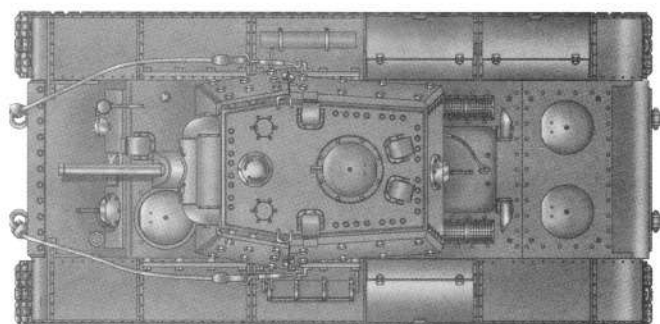
# 涂装同标贴指示 Painting & Marking guide

使用 MR.HOBBY 涂料

H	136	苏联绿 Russian Green
---	-----	-------------------

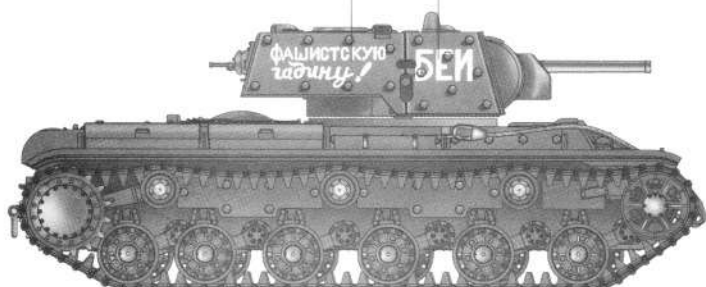
水贴纸 2  
Decal 2

水贴纸 1  
Decal 1



水贴纸 2  
Decal 2

水贴纸 1  
Decal 1



ФАШИСТСКОМУ  
УЛОМКУ!

1

БЕИ

2

ФАШИСТСКОМУ  
УЛОМКУ!

БЕИ

07230 1/72 Russian KV-1 'S Ehkranami Tank