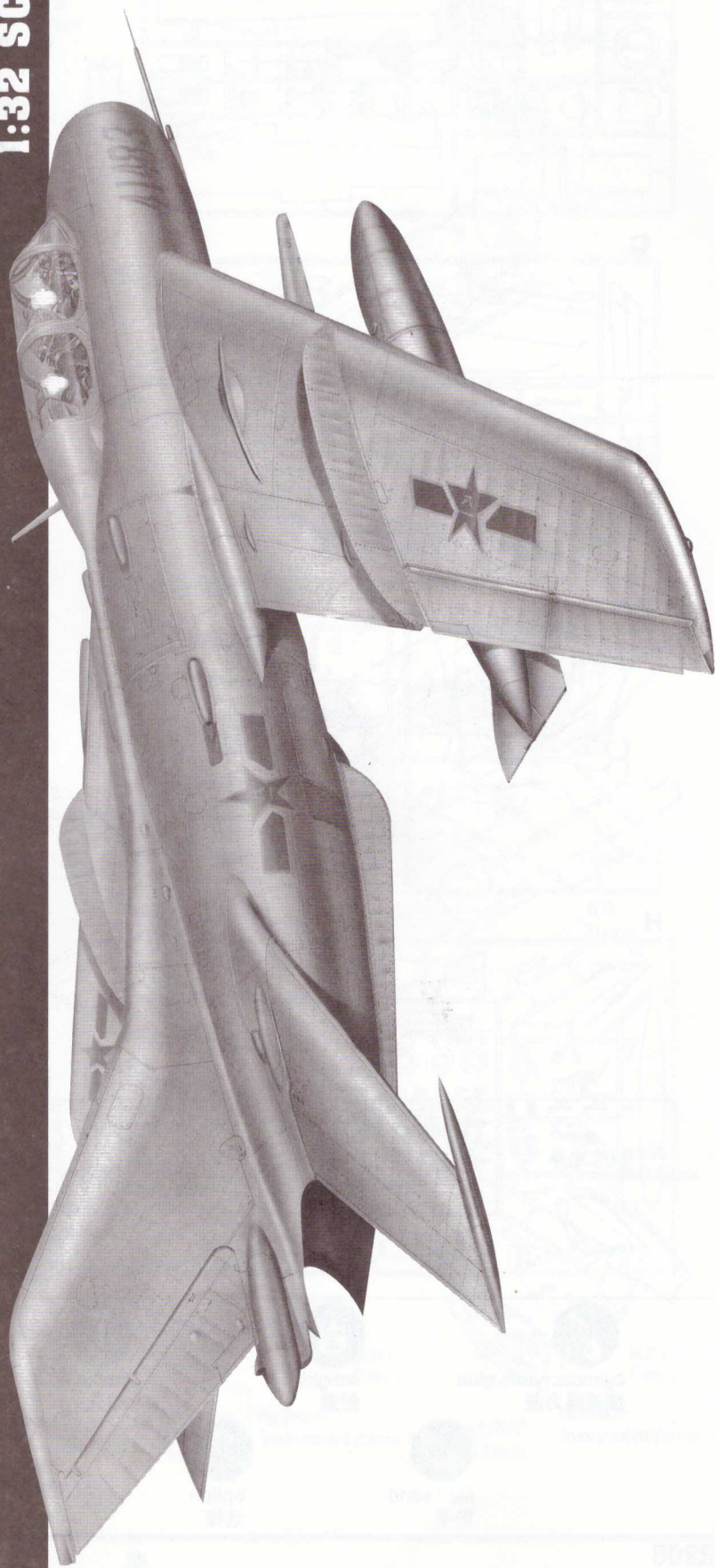


ITEM NO. 02208



Shenyang FT-6 Trainer

1:32 SCALE

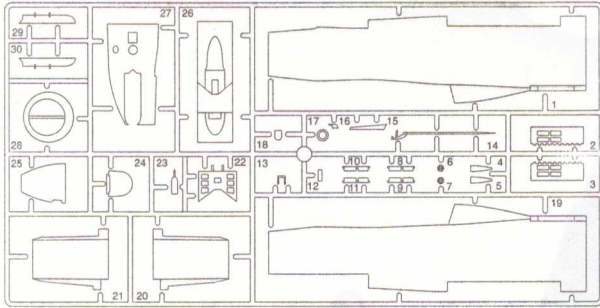


02208

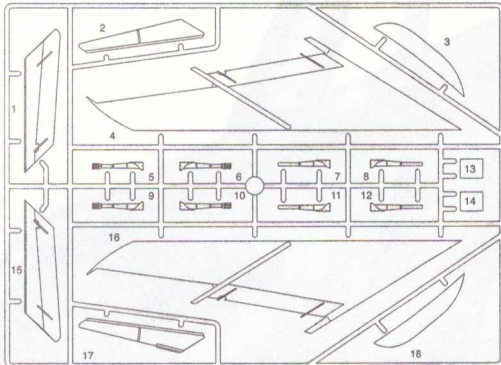
1

部品图 Parts

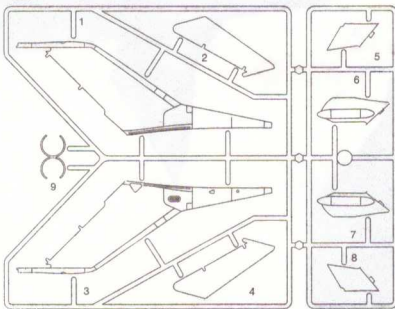
L



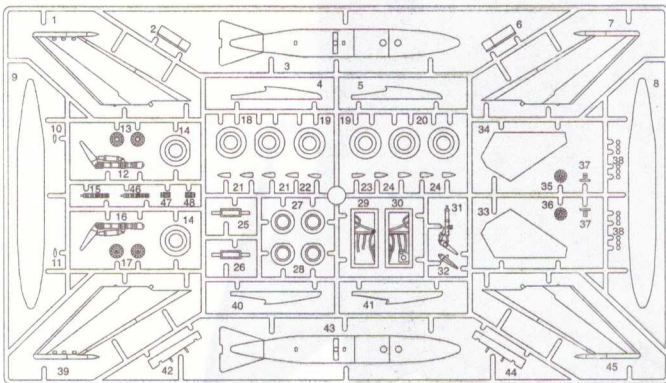
C



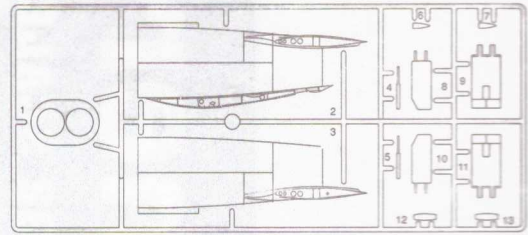
E



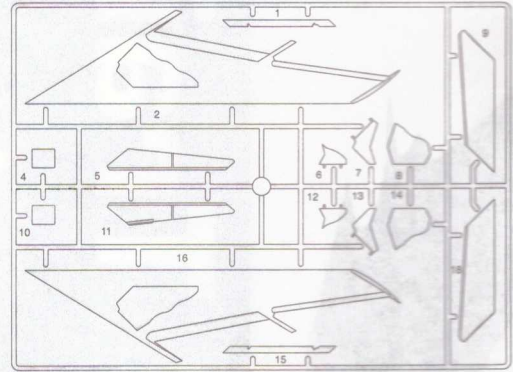
H



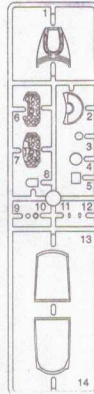
B



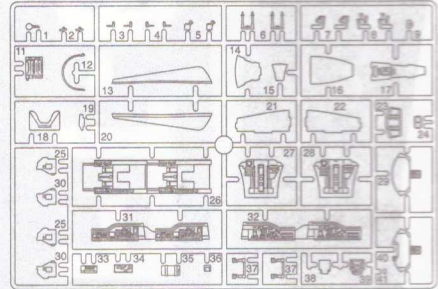
D



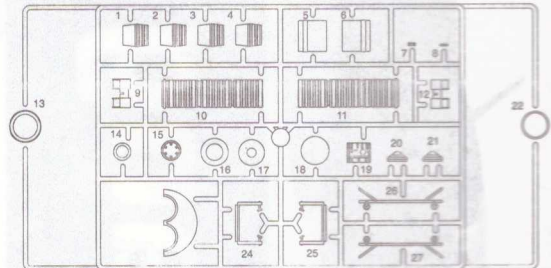
M



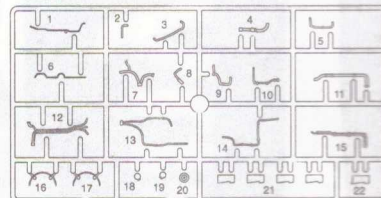
K



JX2



NX2



cyanoacrylate glue
使用强力胶



weight
配重



make hole
钻孔



cut / remove
切除



bend
弯曲



file / sand
锉平



option
选择

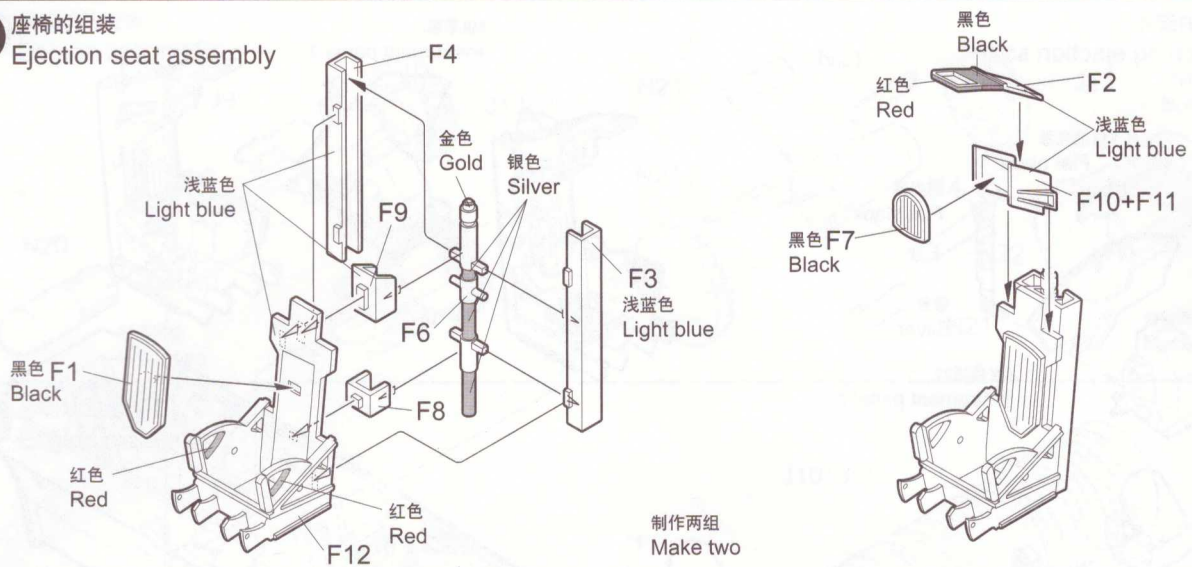


no cement
不涂胶水

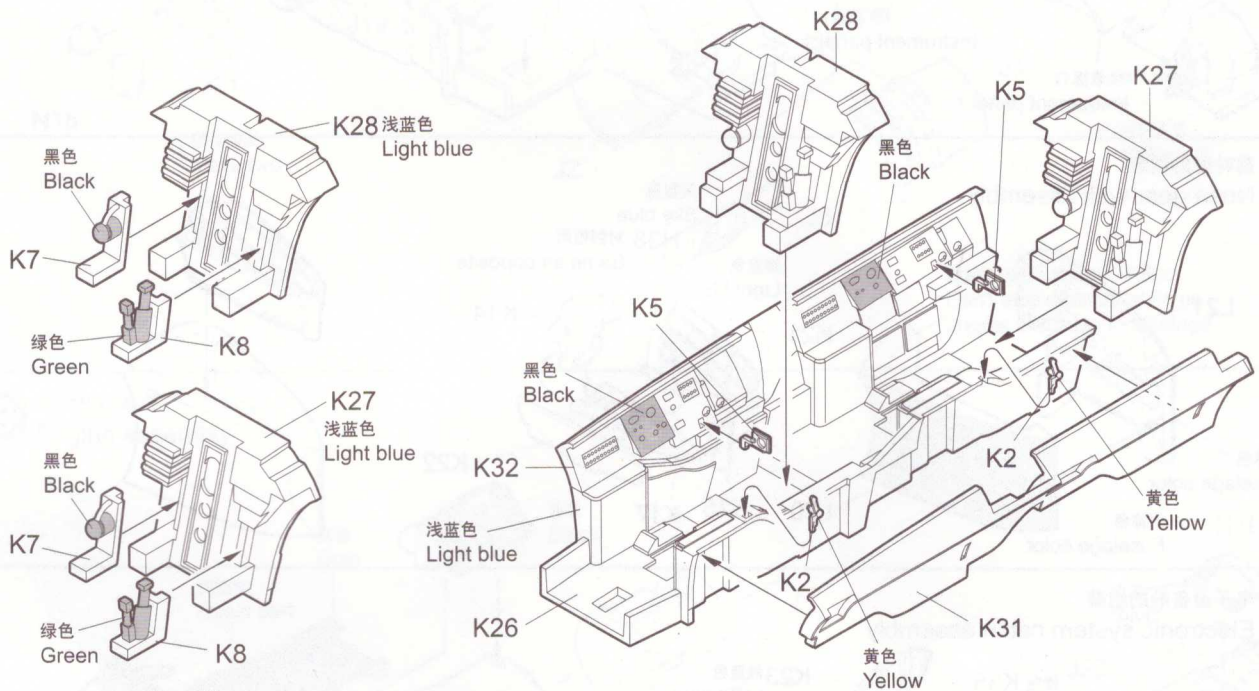


decal
贴纸

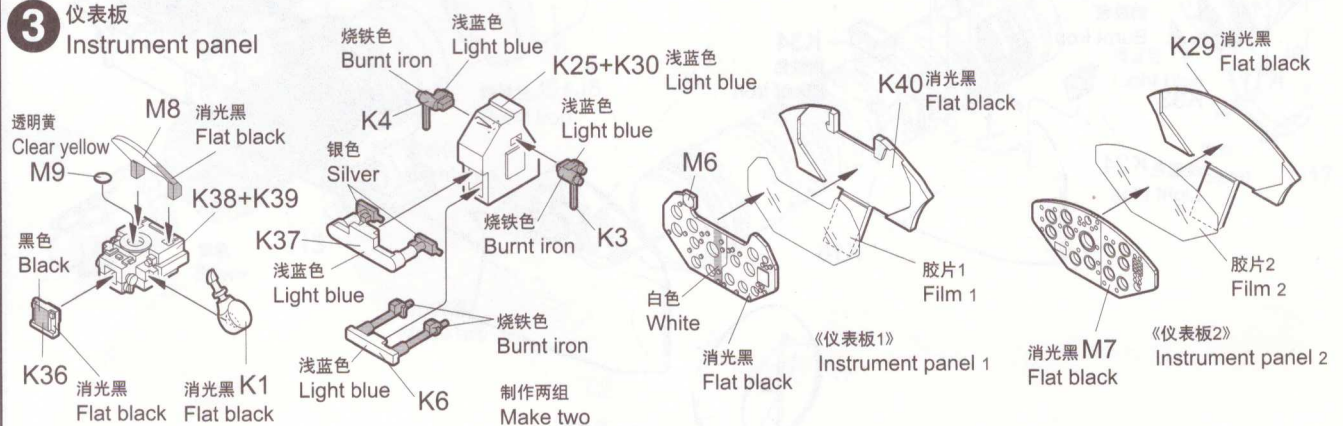
1 座椅的组装
Ejection seat assembly



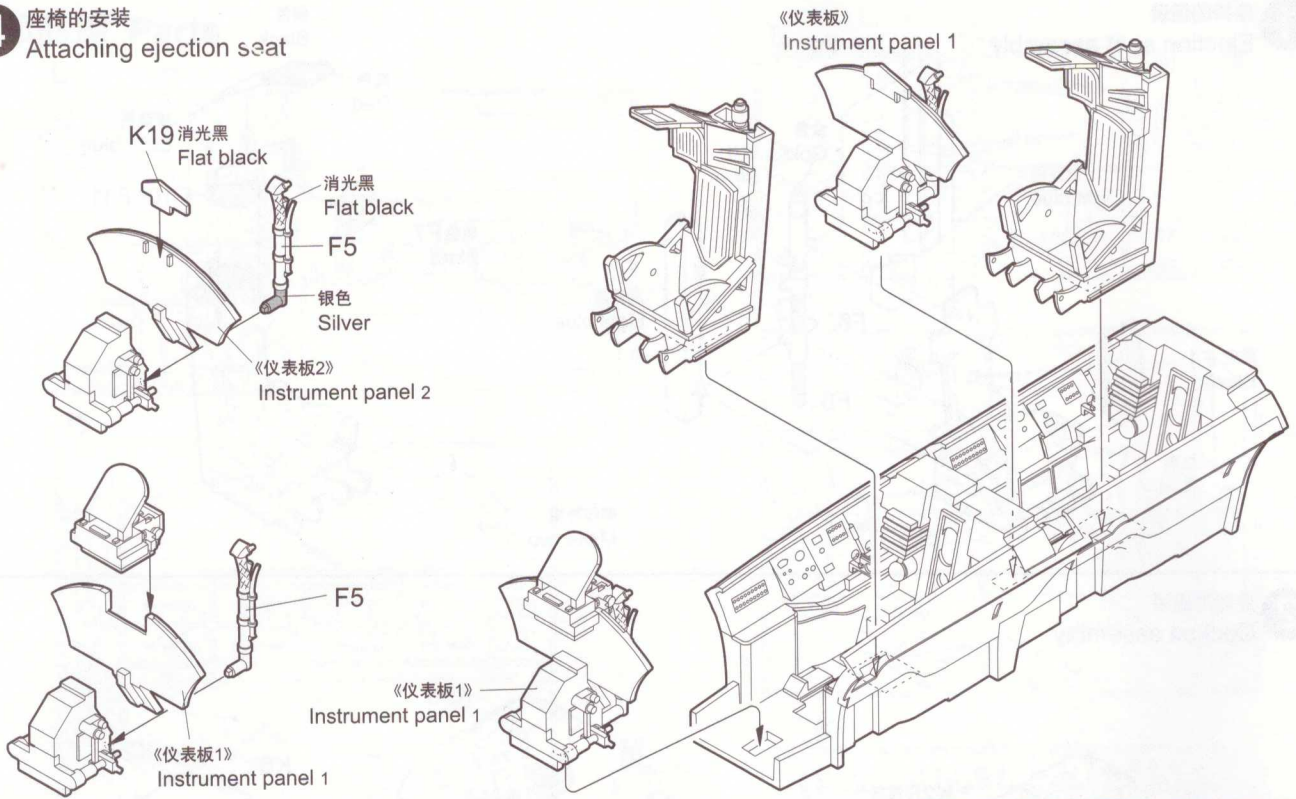
2 座舱的组装
Cockpit assembly



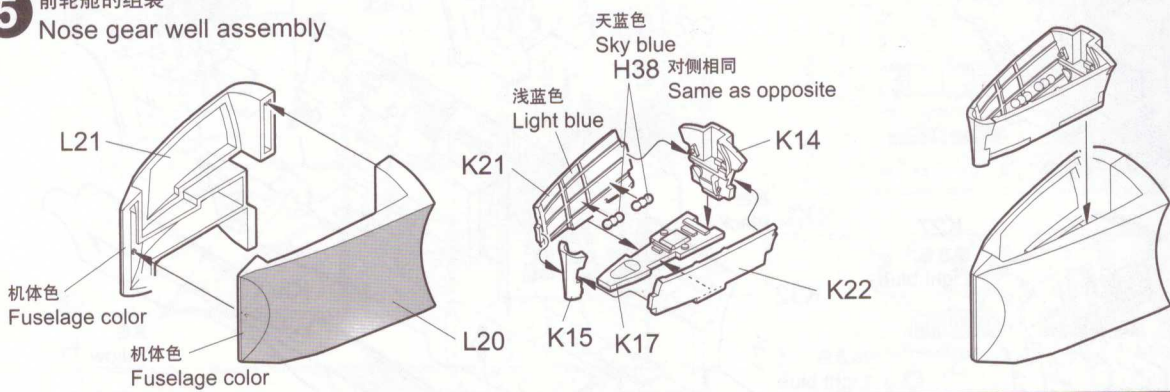
3 仪表板
Instrument panel



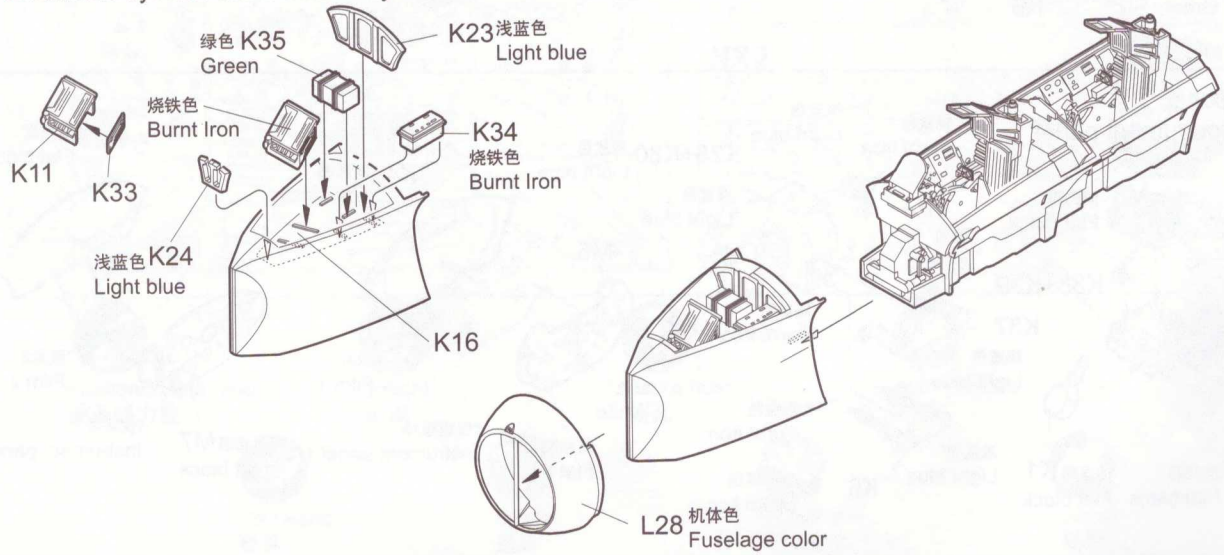
4 座椅的安装
Attaching ejection seat



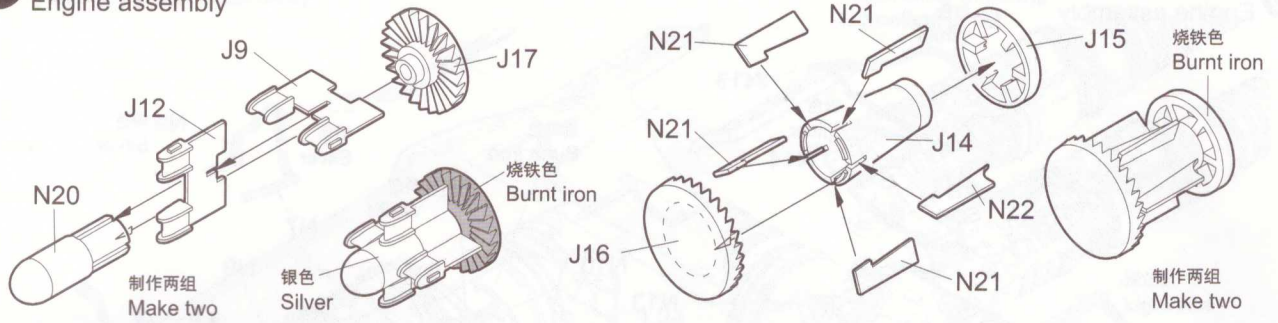
5 前轮舱的组装
Nose gear well assembly



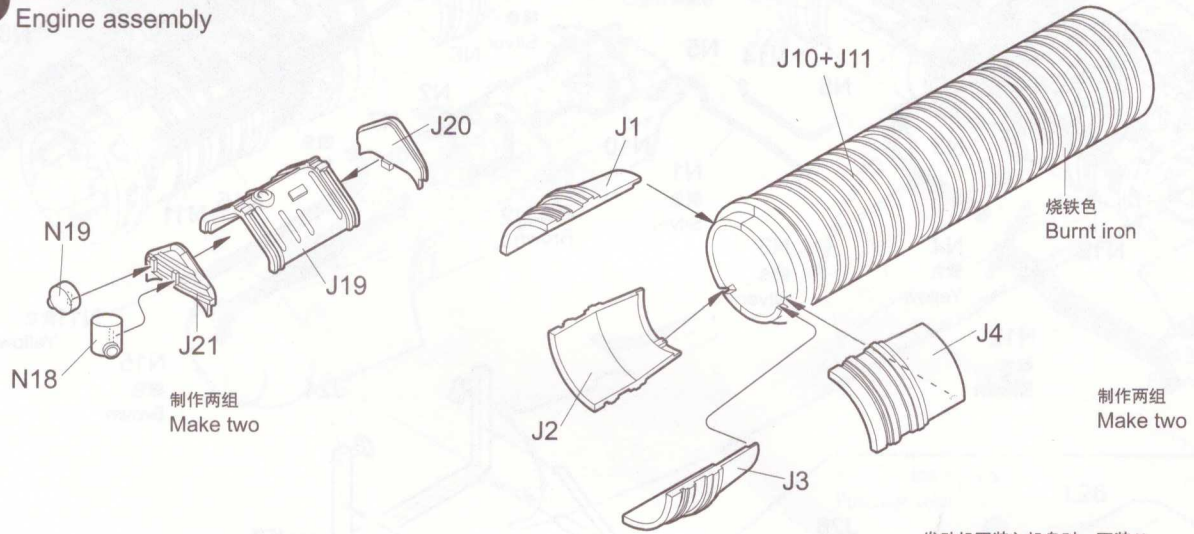
6 电子设备舱的组装
Electronic system cabin assembly



7 发动机的组装
Engine assembly

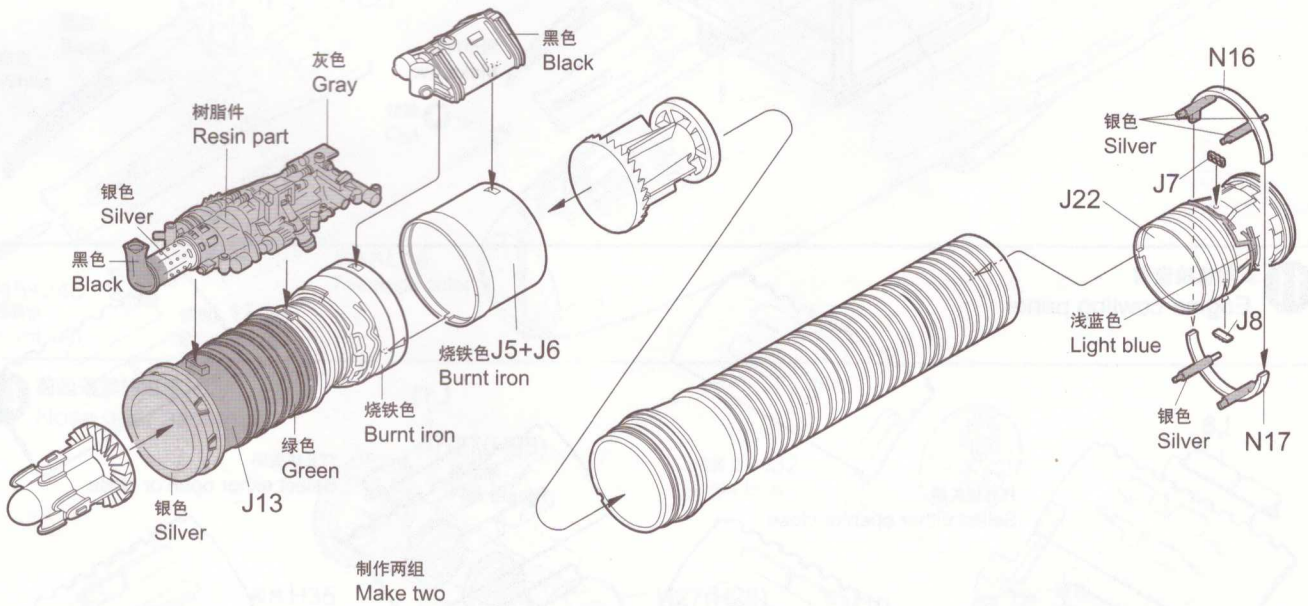


8 发动机的组装
Engine assembly

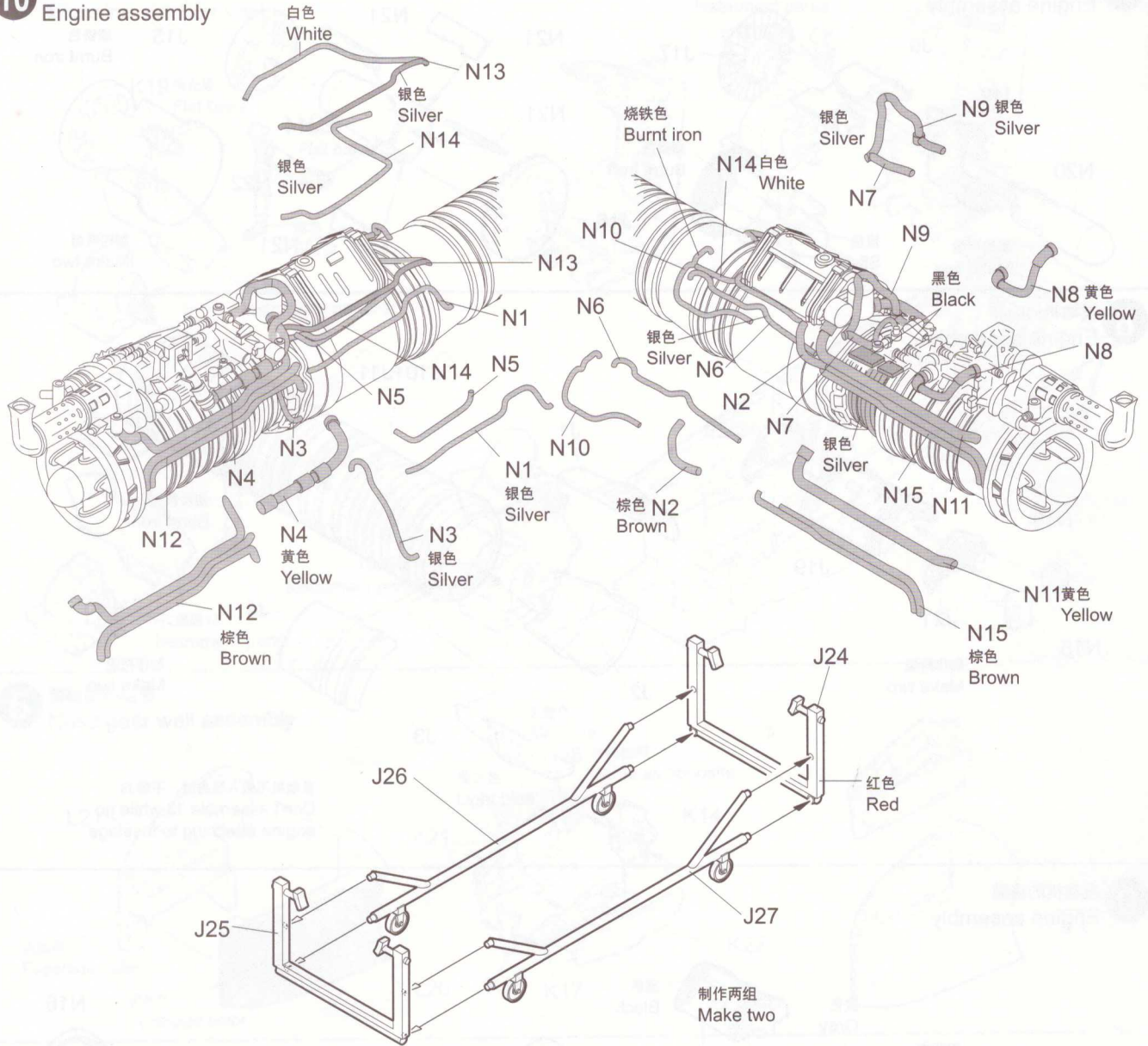


发动机不装入机身时，不装J3
Don't assemble J3 while no engine attaching to fuselage

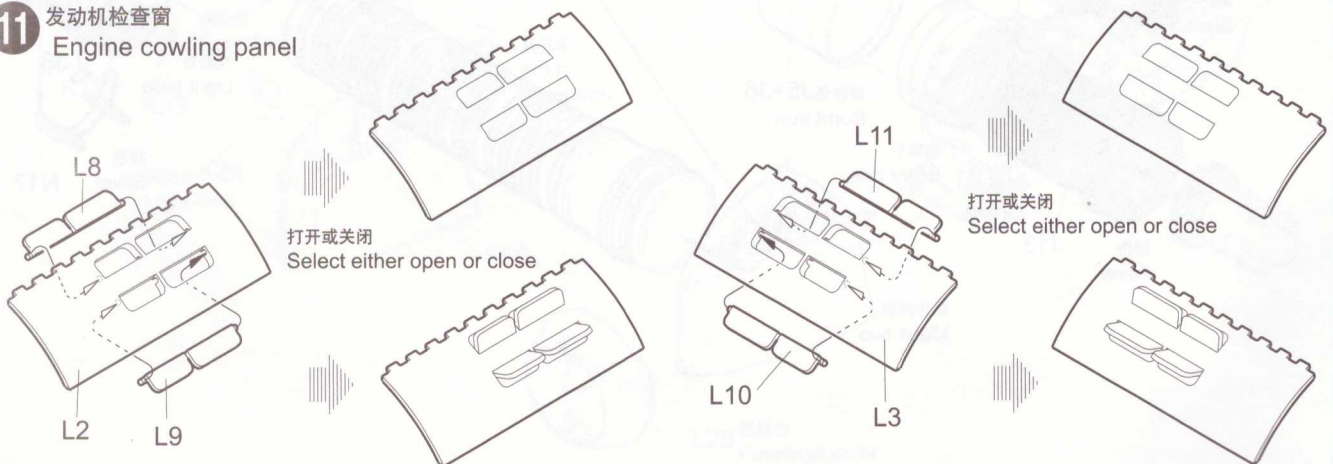
9 发动机的组装
Engine assembly



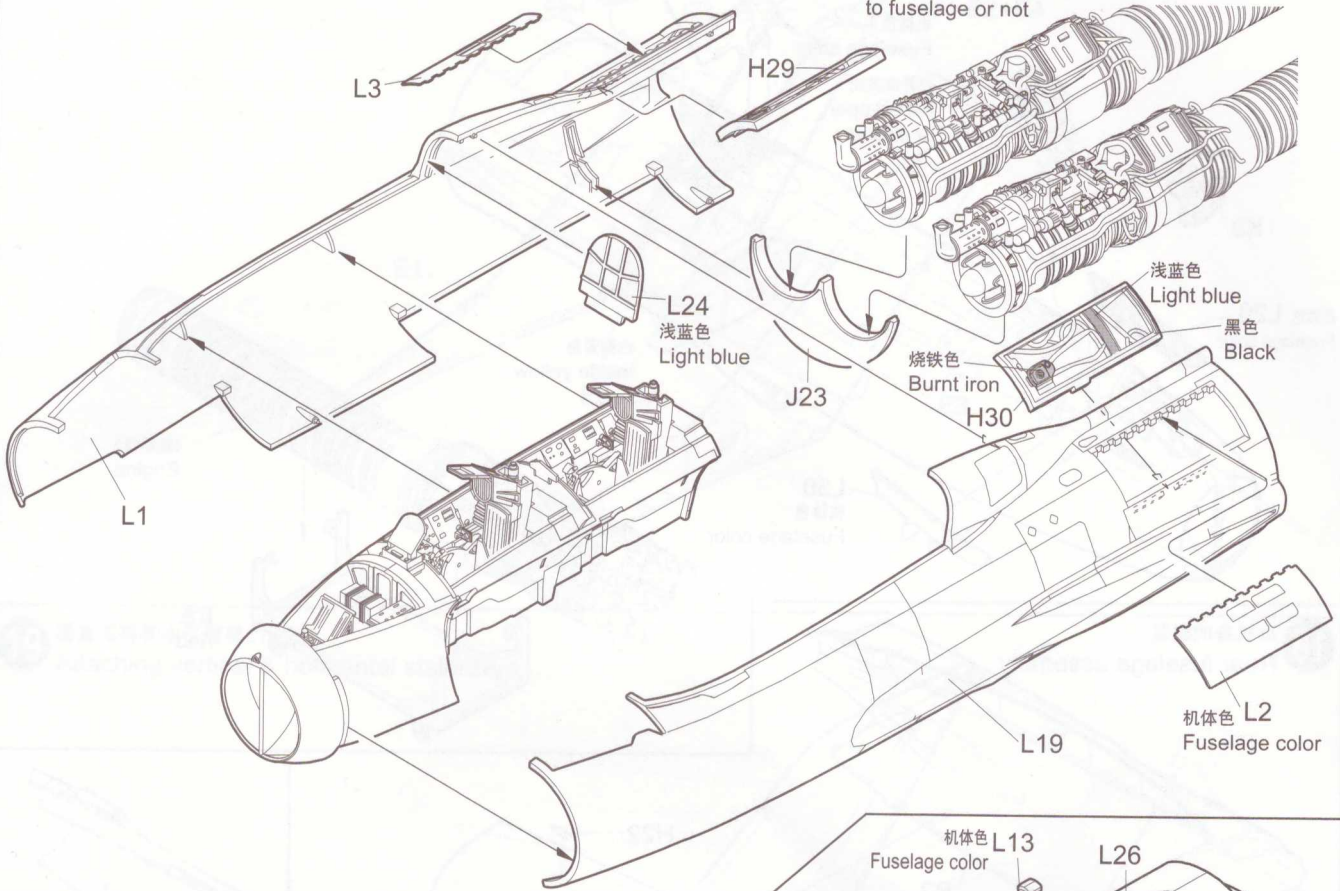
10 发动机的组装
Engine assembly



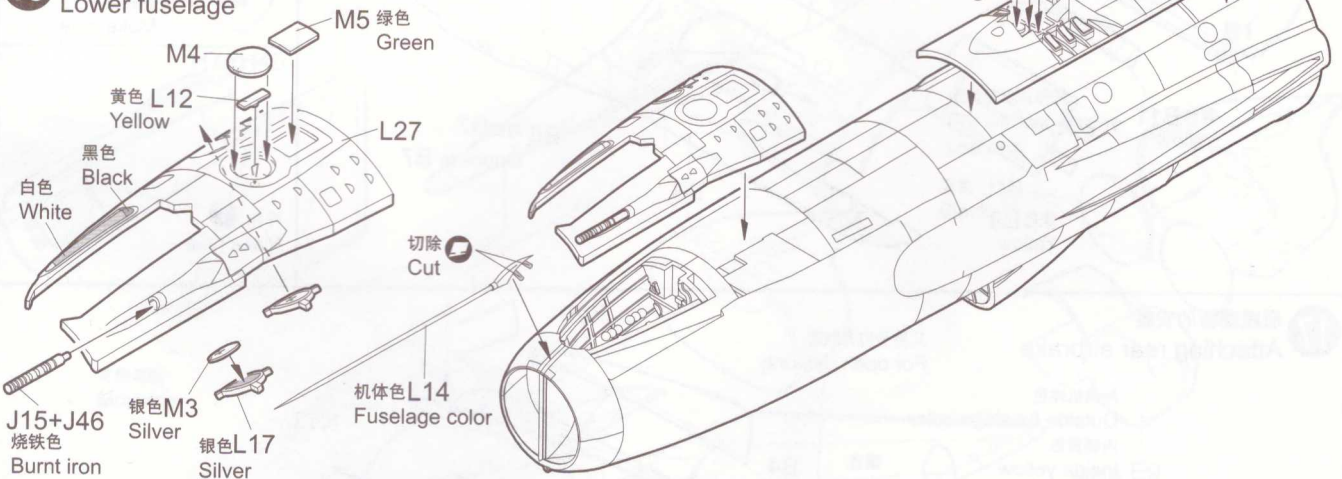
11 发动机检查窗
Engine cowling panel



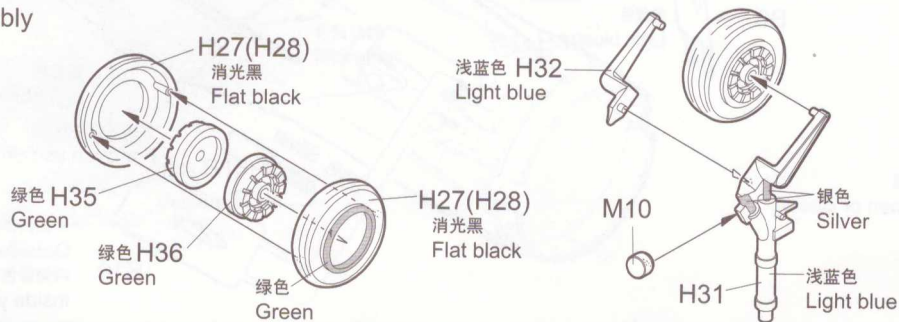
12 前机身的组装
Fore fuselage assembly



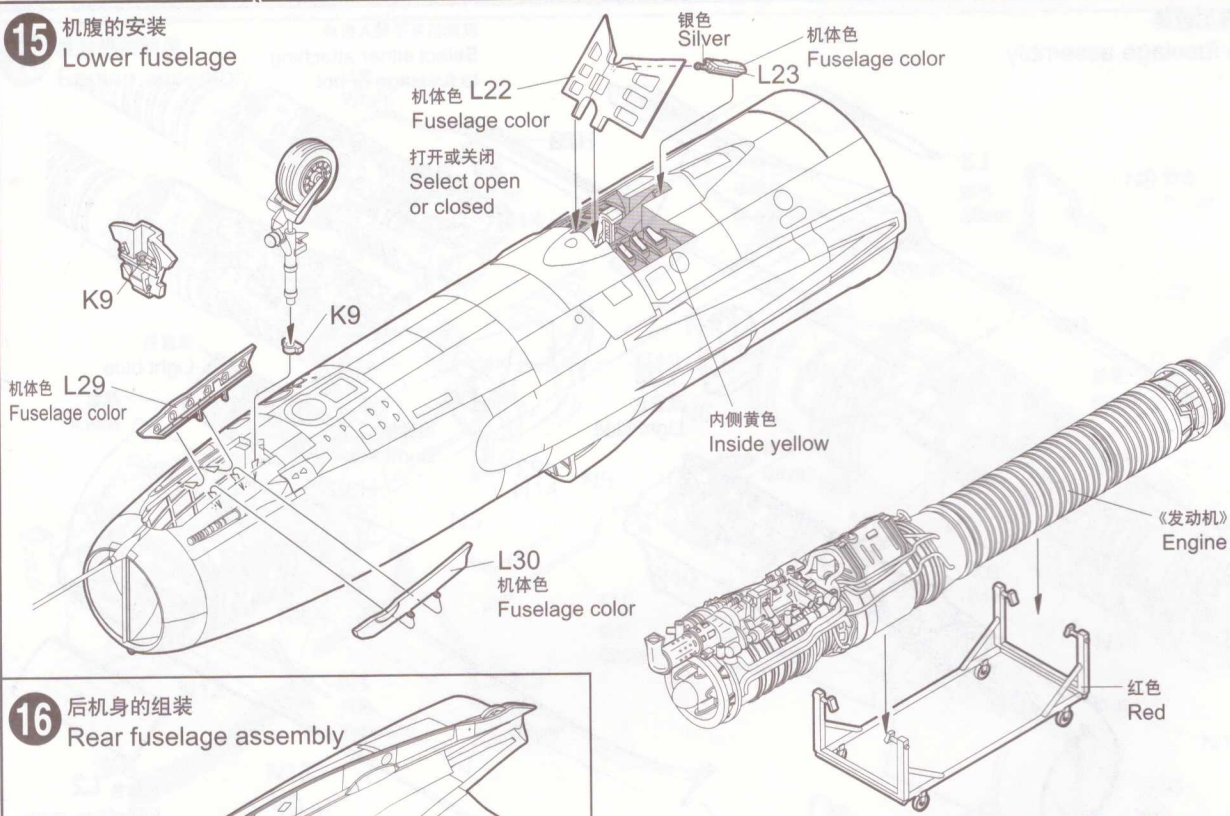
13 机腹的安装
Lower fuselage



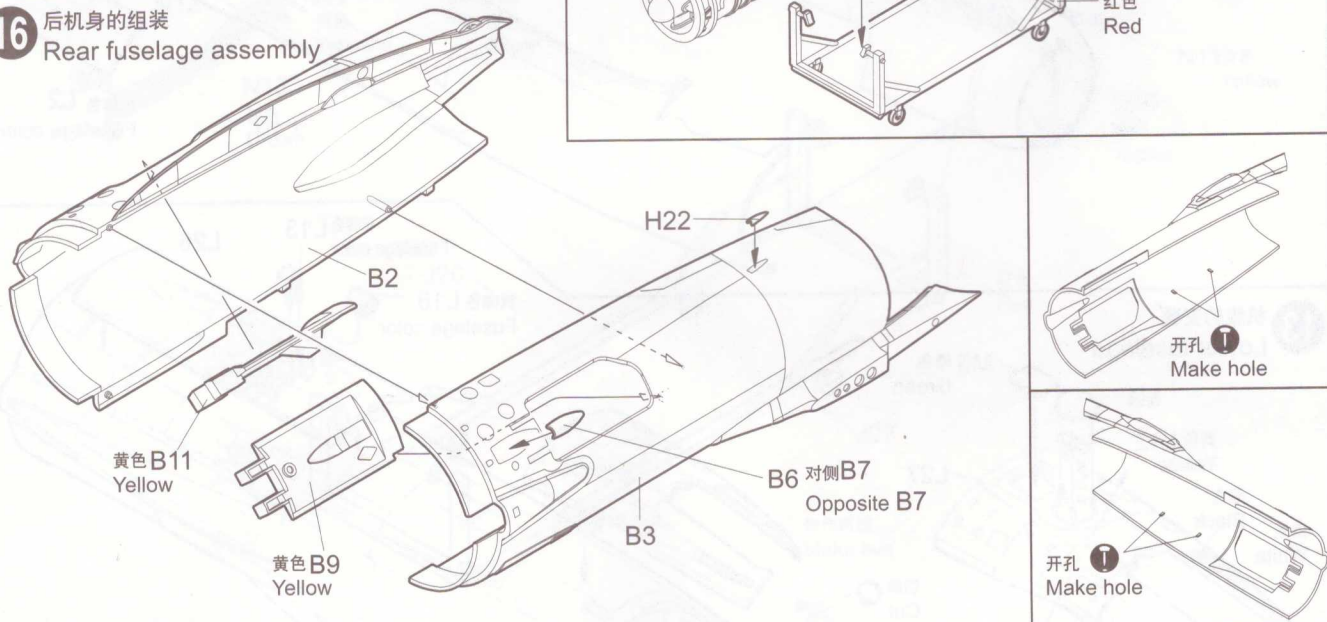
14 前起落架的组装
Nose gear assembly



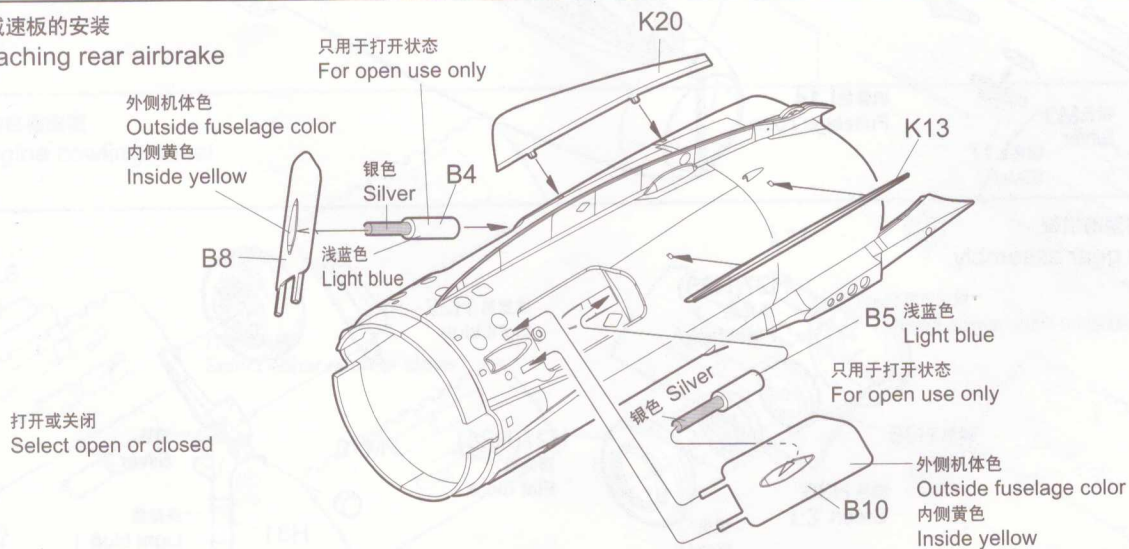
15 机腹的安装
Lower fuselage



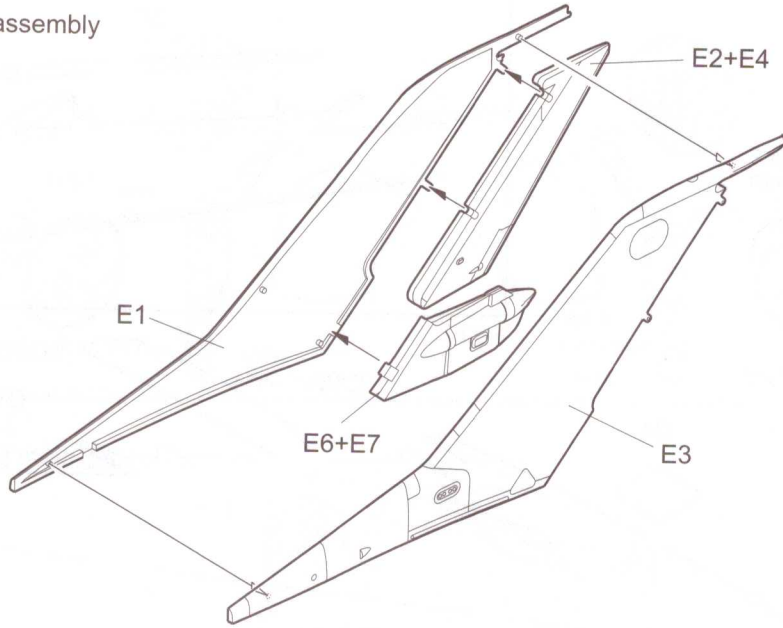
16 后机身的组装
Rear fuselage assembly



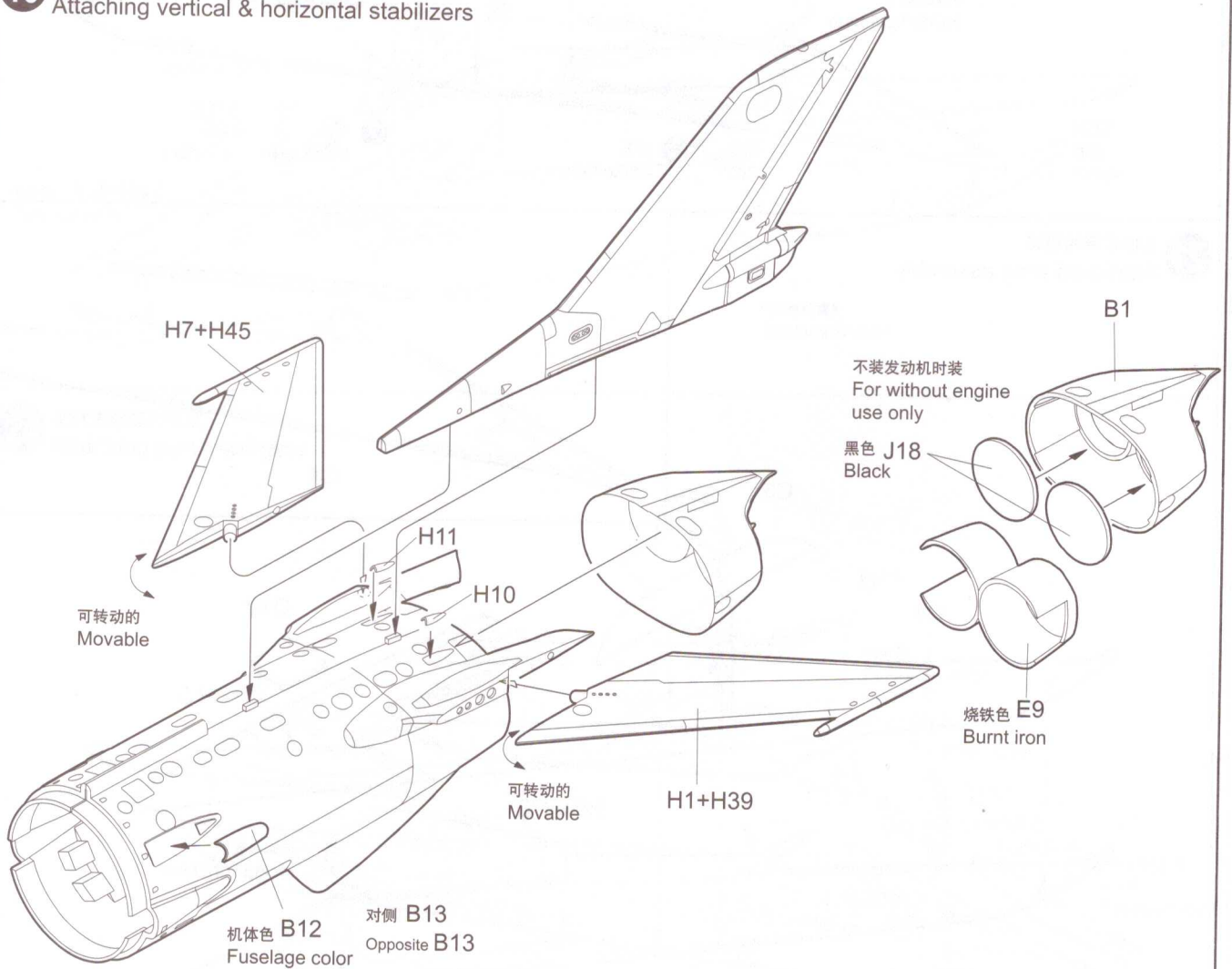
17 后减速板的安装
Attaching rear airbrake



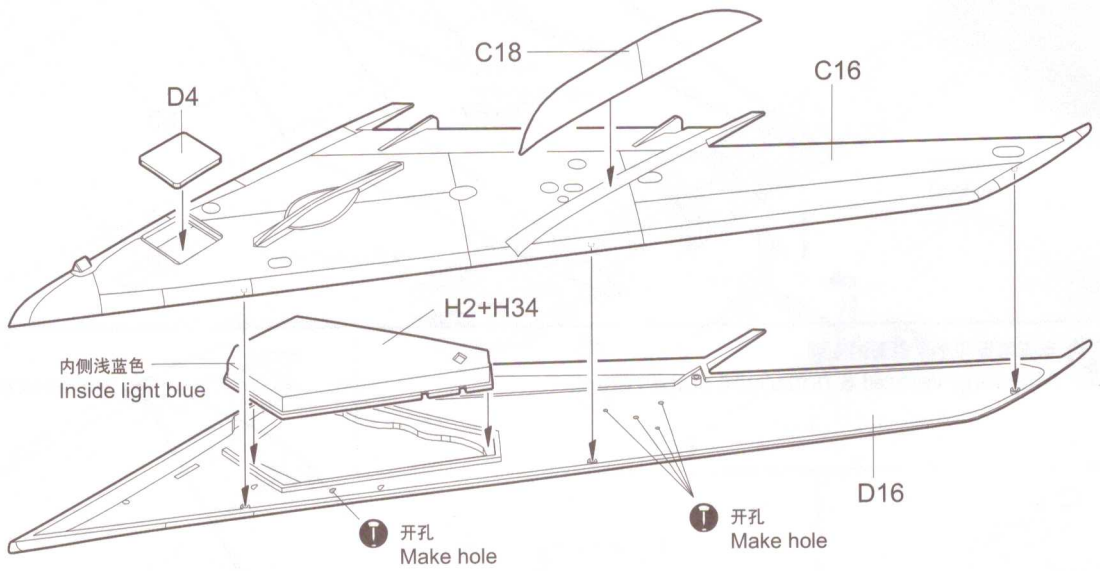
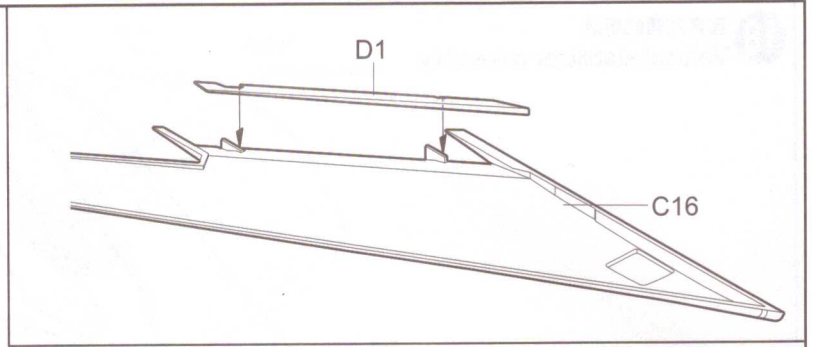
18 垂直尾翼的组装
Vertical stabilizer assembly



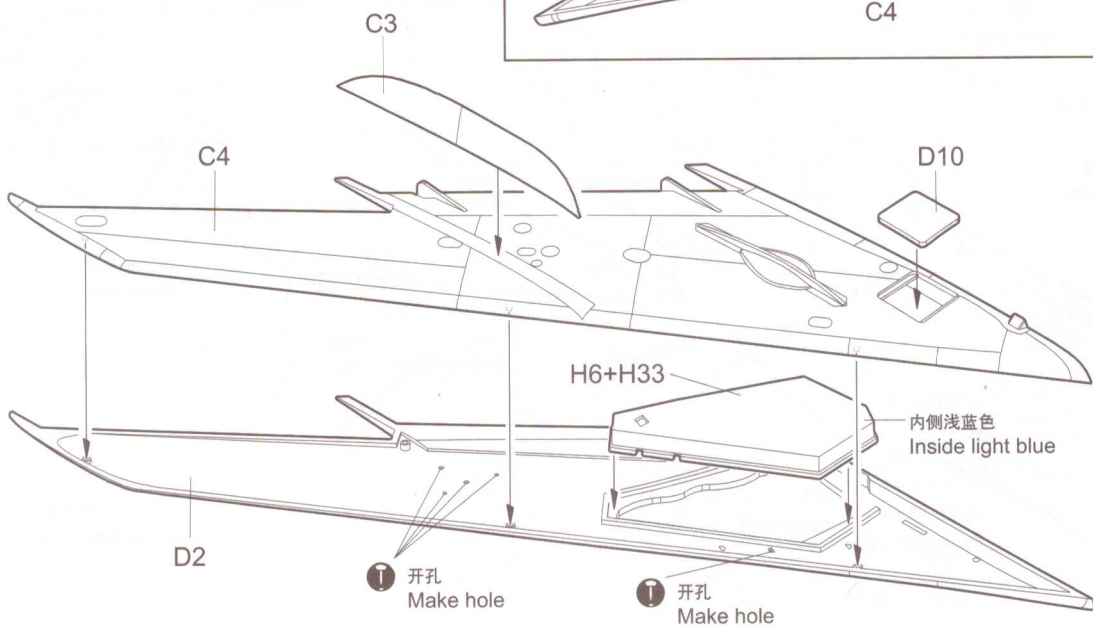
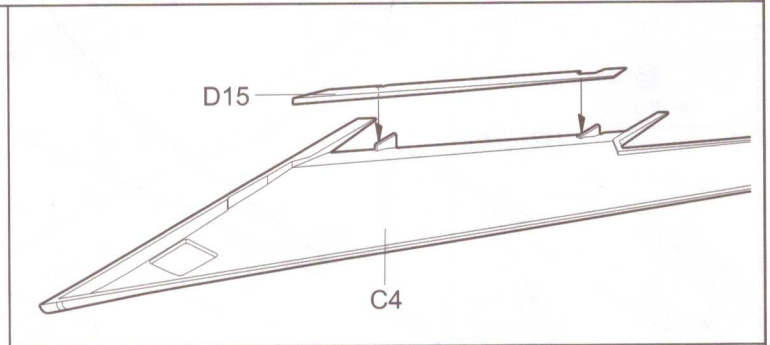
19 垂直尾翼和水平尾翼的安装
Attaching vertical & horizontal stabilizers



20 左侧机翼的组装
Port wing assembly

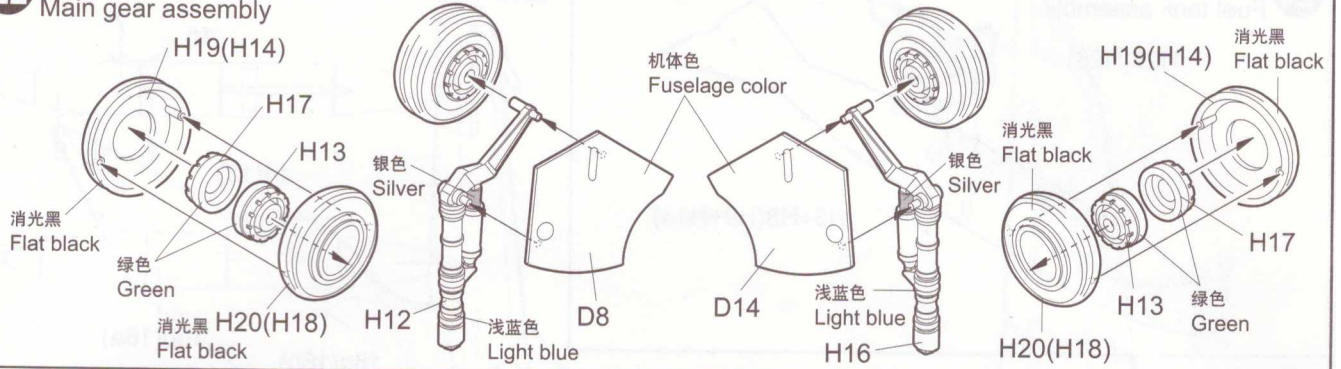


21 右侧机翼的组装
Starboard wing assembly



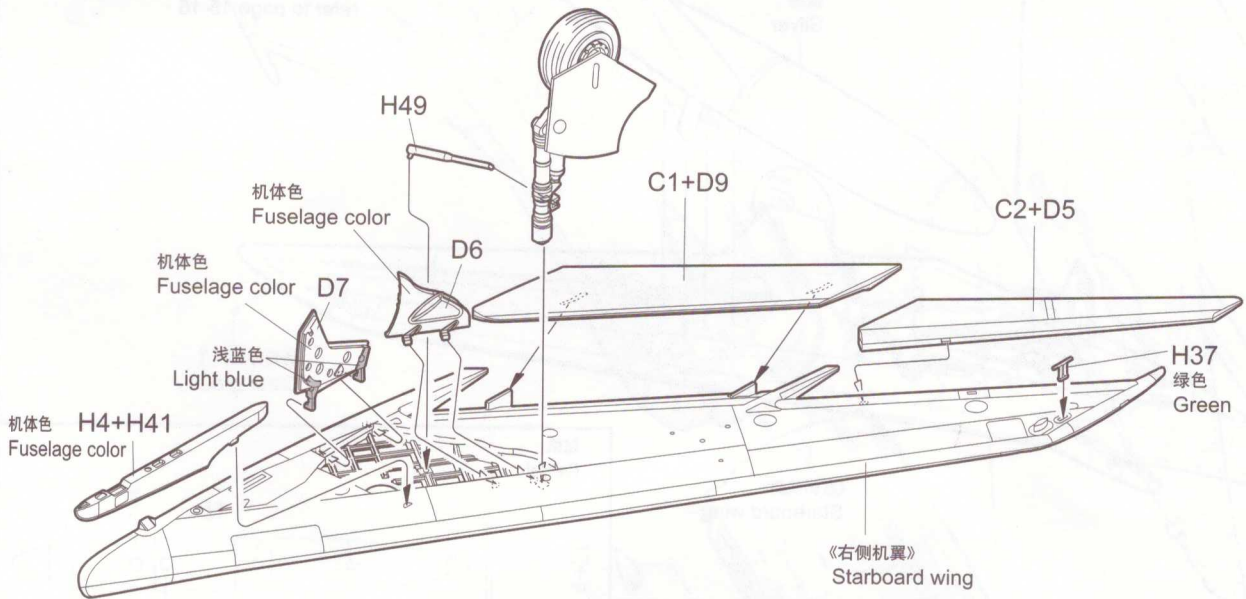
22 主起落架的组装

Main gear assembly



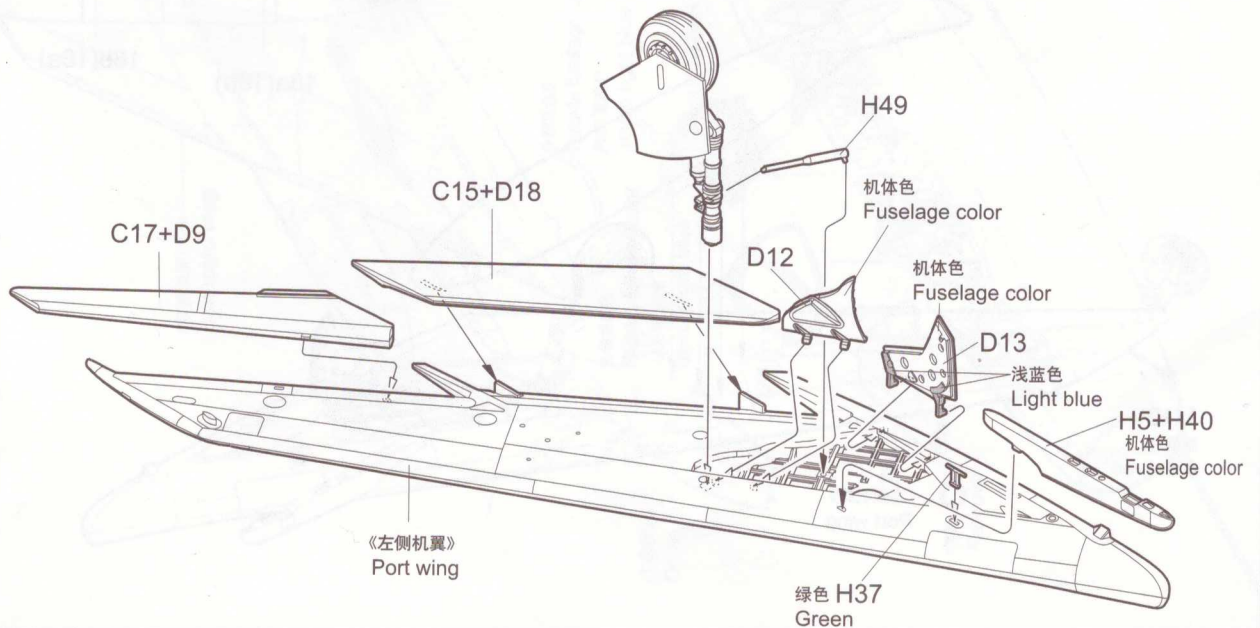
23 右侧主起落的安装

Attaching Starboard main gear

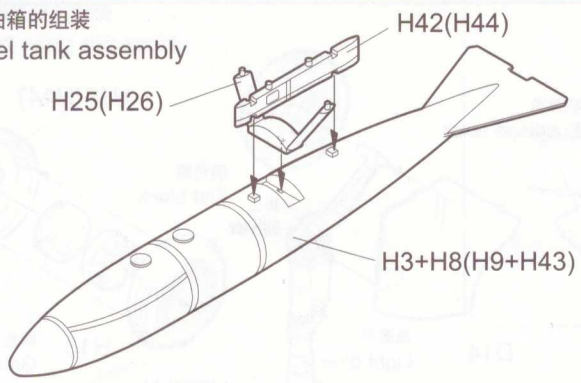


24 左侧主起落的安装

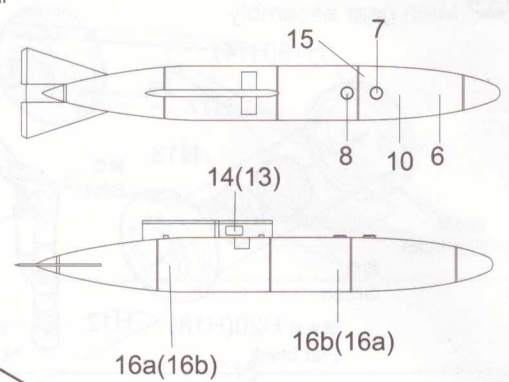
Attaching port main gear



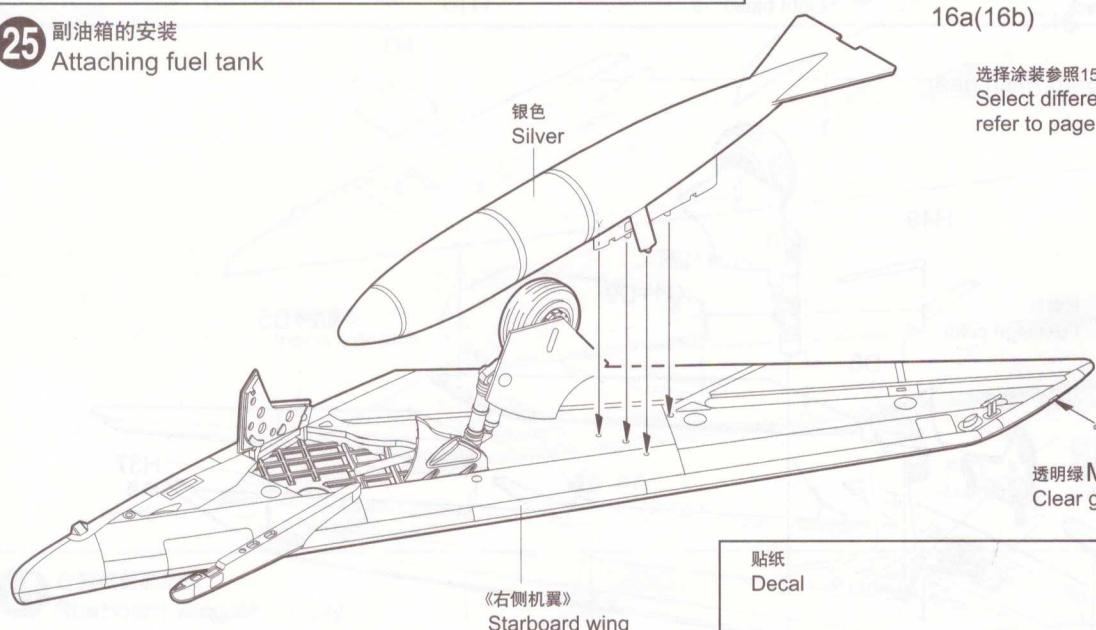
24 副油箱的组装
Fuel tank assembly



贴纸
Decal

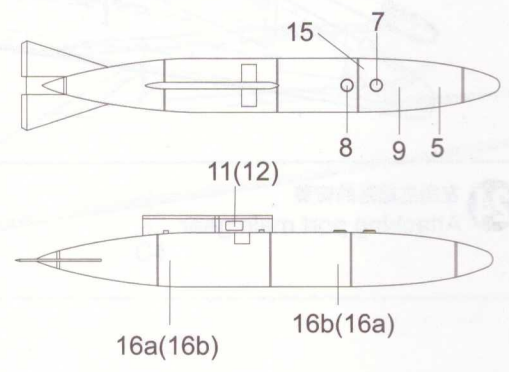


25 副油箱的安装
Attaching fuel tank

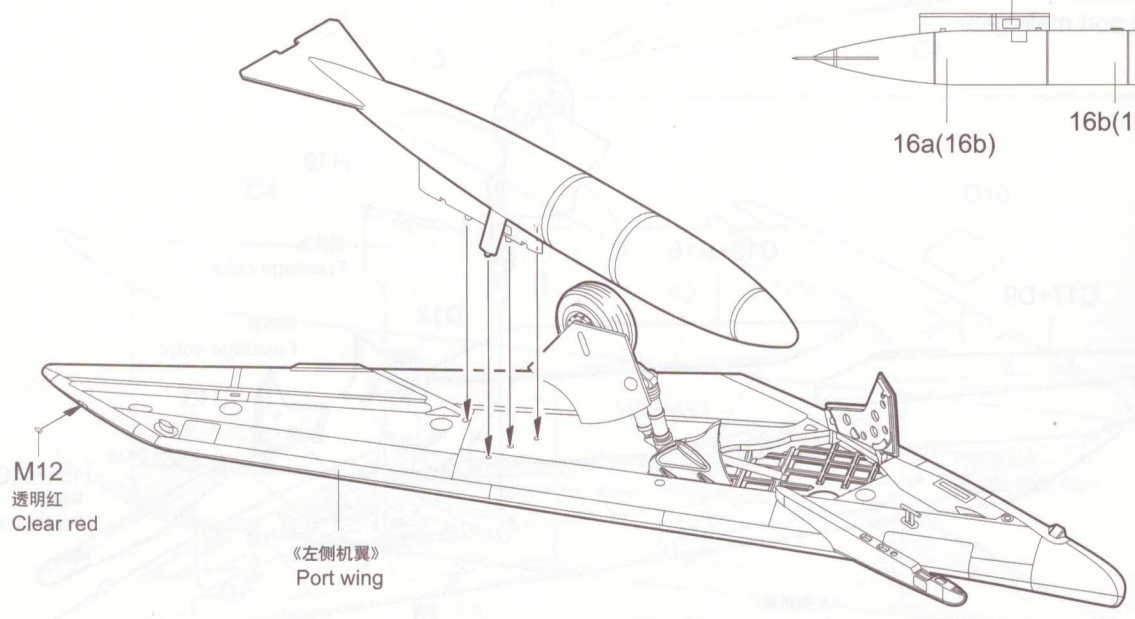


选择涂装参照15至16页
Select different marking
refer to page 15-16

贴纸
Decal

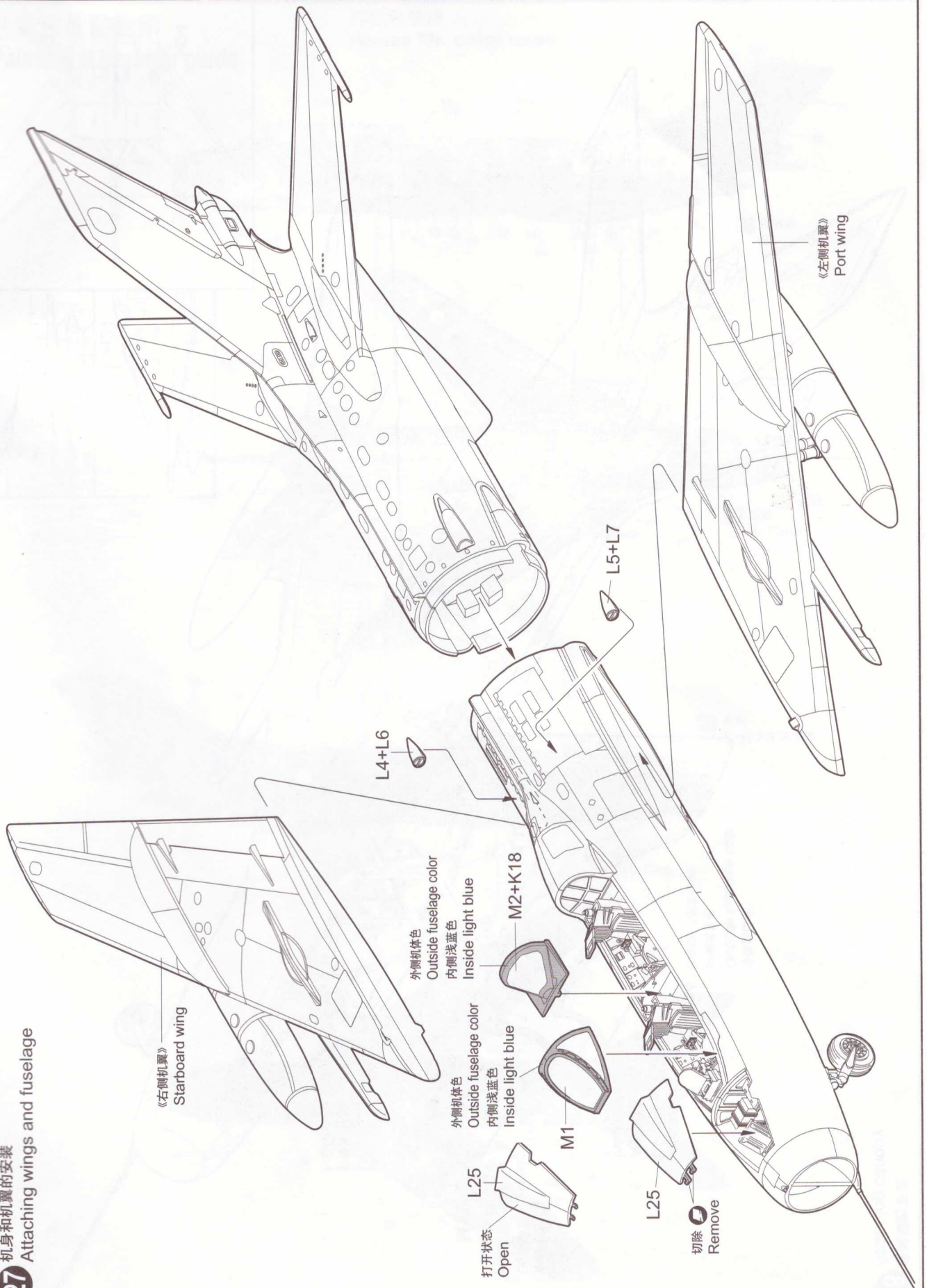


26 副油箱的安装
Attaching fuel tank



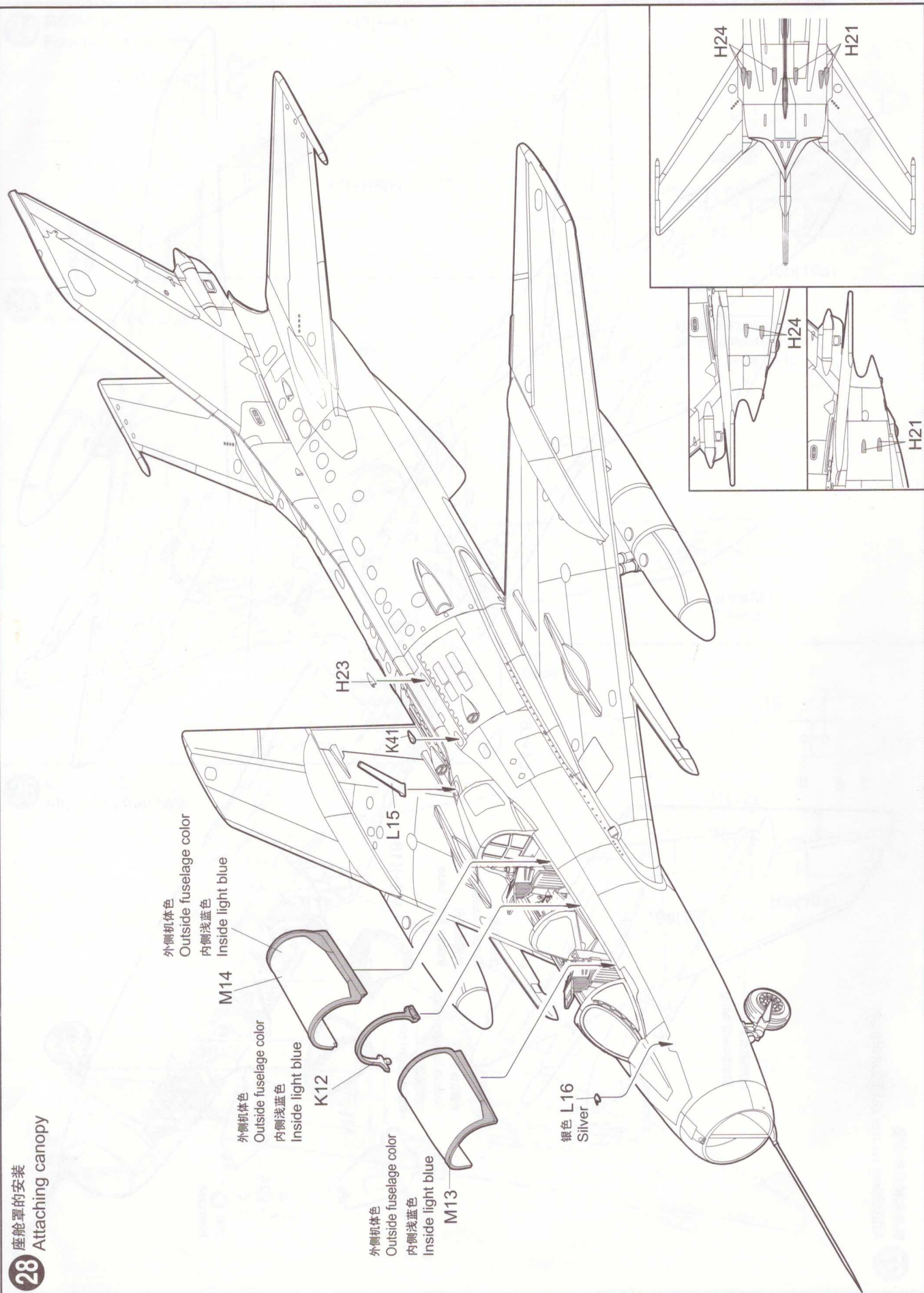
27 机身和机翼的安装

Attaching wings and fuselage



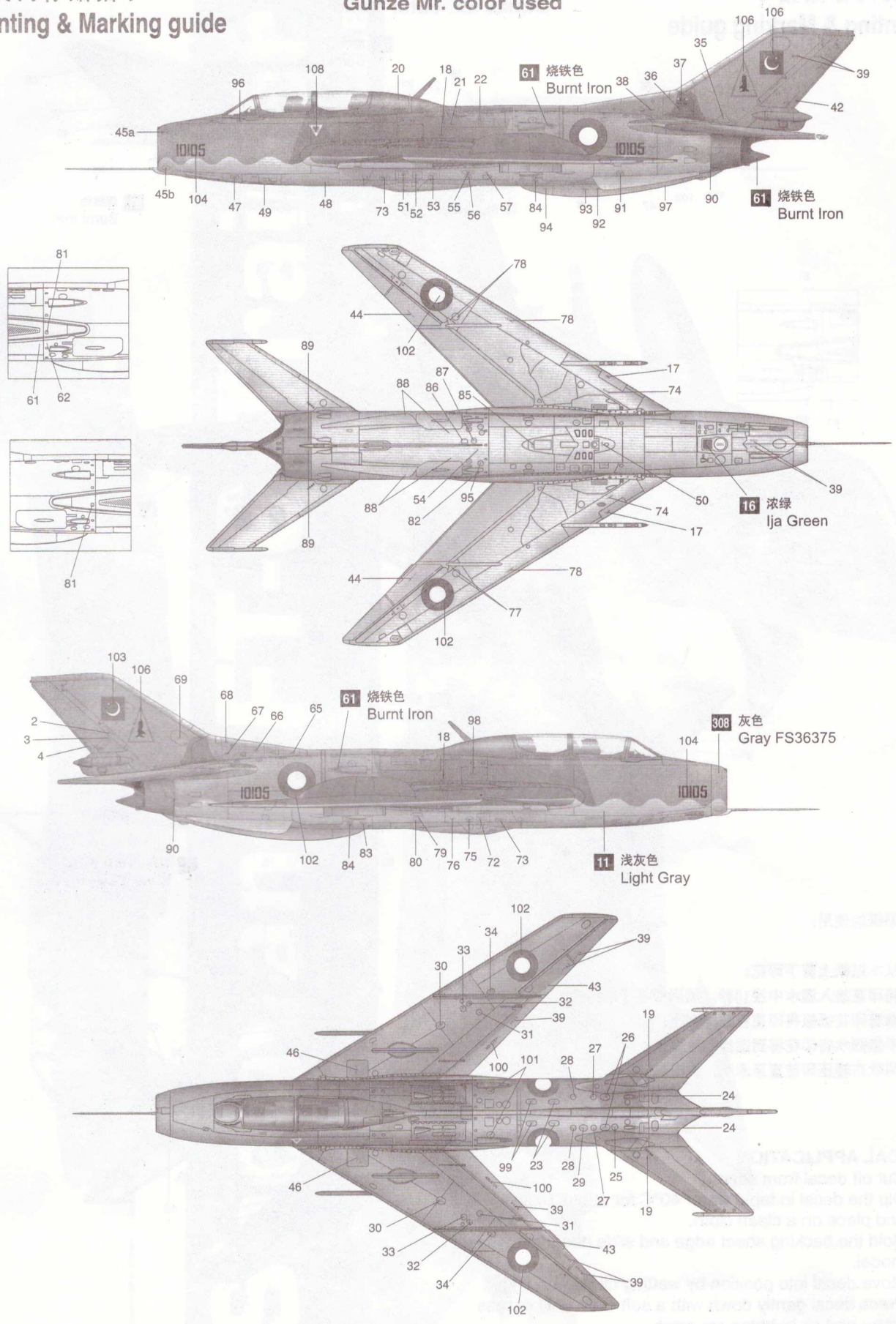
28 座舱罩的安装

Attaching canopy



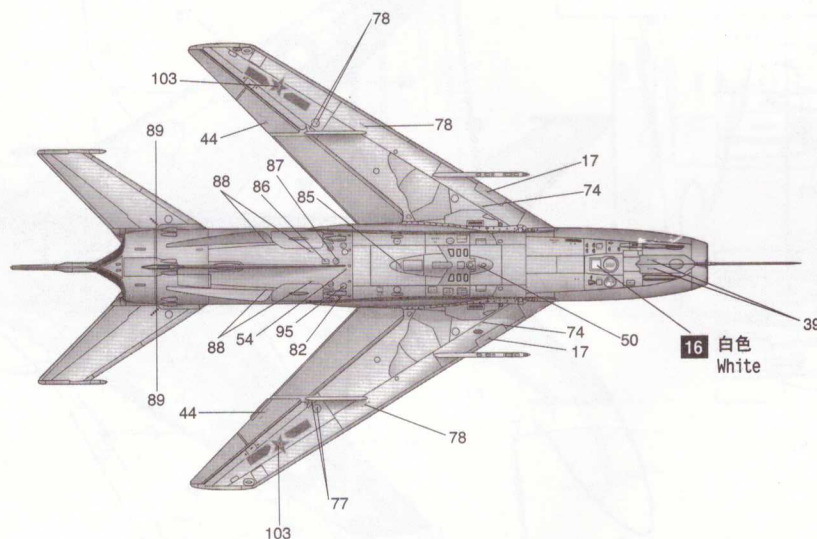
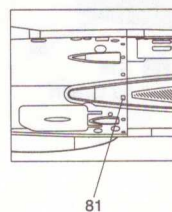
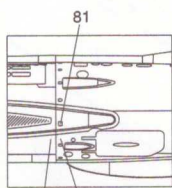
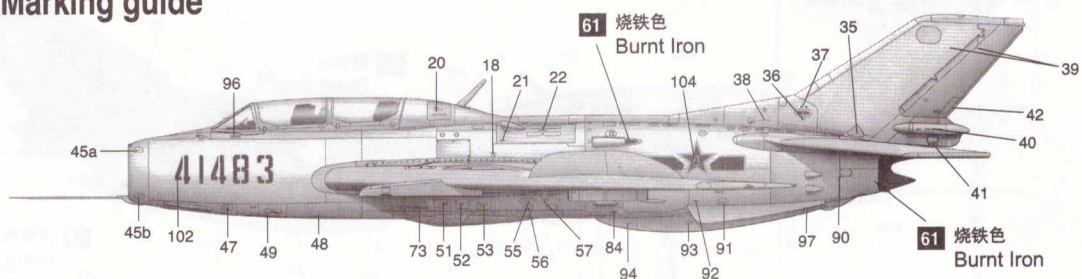
涂装同标贴指示
Painting & Marking guide

郡仕色使用
Gunze Mr. color used



涂装同标贴指示 Painting & Marking guide

郡仕色使用
Gunze Mr. color used



水贴纸的使用:

1. 从水贴上剪下印花;
2. 将印花放入温水中浸10秒, 然后放在干净布上。
3. 拿着印花纸板将印花移到模型上;
4. 手指蘸水将印花移到适当的位置;
5. 用软布轻压印花直至水干, 气泡消失。

DECAL APPLICATION

1. Cut off decal from sheet.
2. Dip the decal in tepid water 40°C for about 10 sec. and place on a clean cloth.
3. Hold the backing sheet edge and slide decal onto the model.
4. Move decal into position by wetting decal with finger.
5. Press decal gently down with a soft cloth until excess water and air bubbles are gone.

