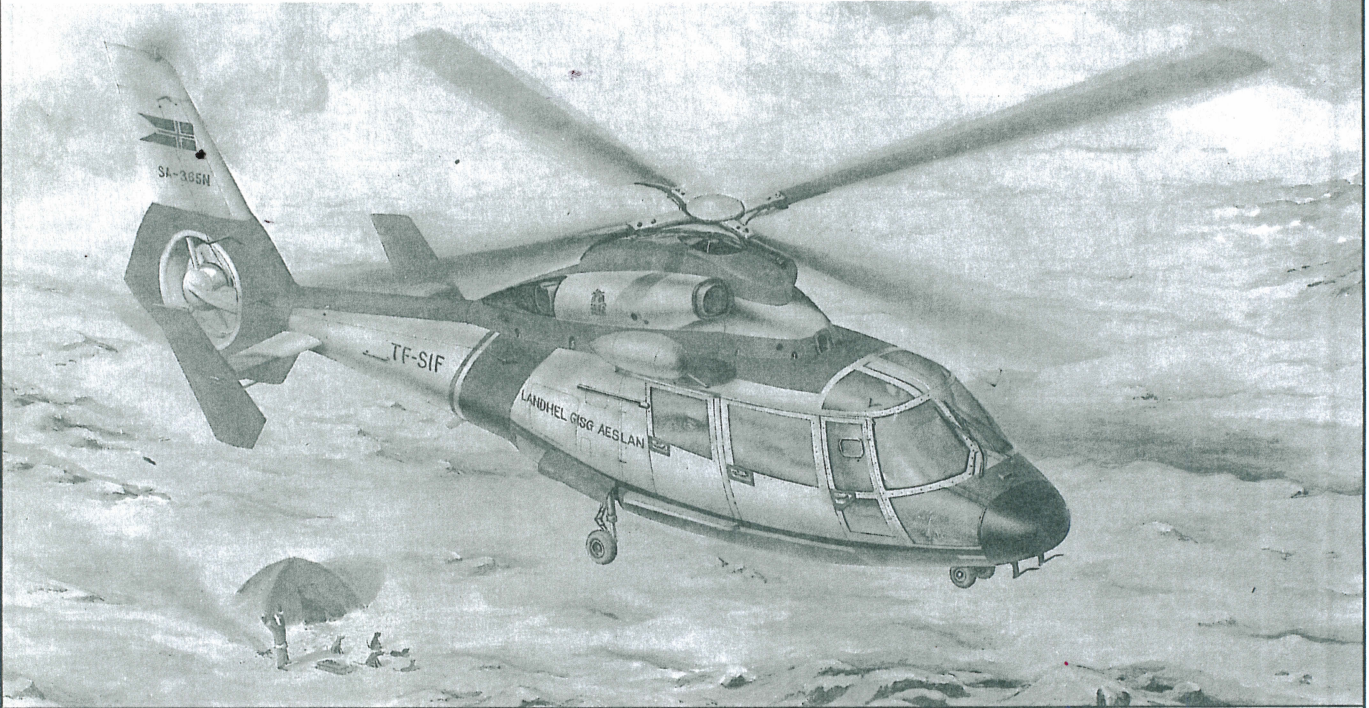


1:48 SCALE AEROSPATIALE SA365N DAUPHIN 2

SA365N 海豚 2



颜色指示 COLOR

| | | | |
|--------|------------|--------|------------|
| 1-白色 | White | 33-消光黑 | Flat black |
| 2-黑色 | Black | 34-天蓝色 | Sky blue |
| 4-黄色 | Yellow | 35-明灰白 | ljn gray |
| 8-银色 | Silver | 47-透明红 | Clear red |
| 11-浅灰色 | Light gray | 61-烧铁色 | Burnt iron |
| 14-深蓝色 | Navy blue | 301-灰色 | Gray |
| 28-黑铁色 | Steel | | |



cyanoacrylate glue
使用强力胶



weight
配重



make hole
钻孔



cut / remove
切除



bend
弯曲



file / sand
锉平



option
选择



no cement
不涂胶水



decal
贴纸

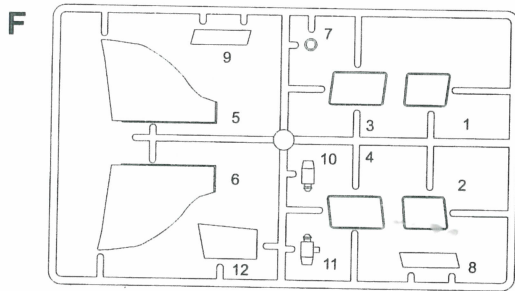
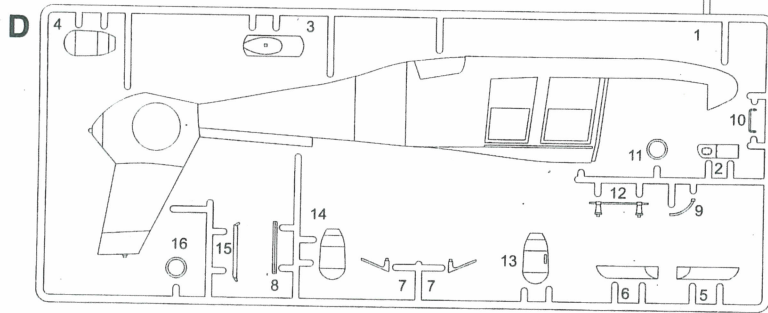
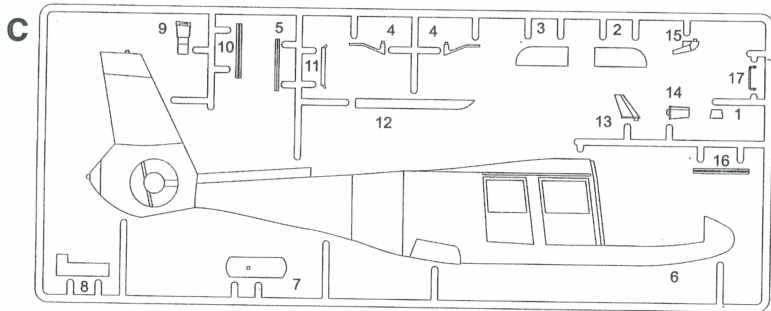
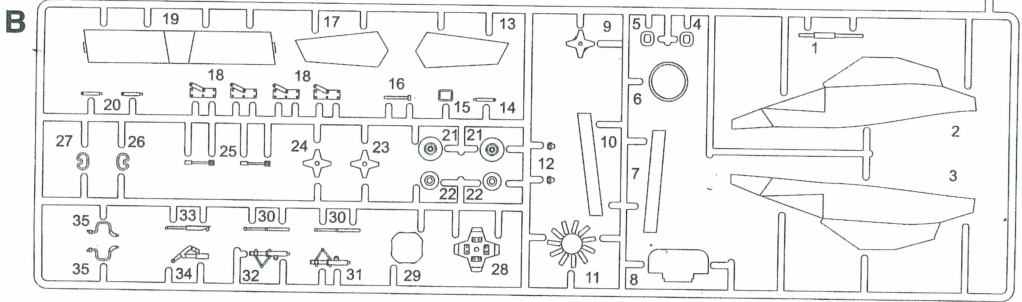
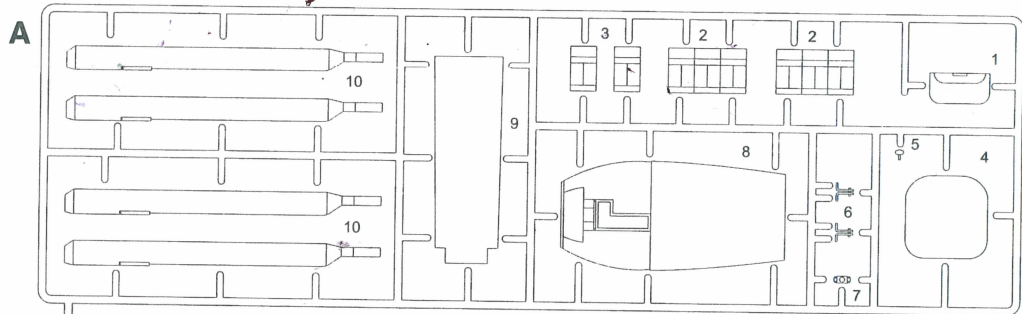
水贴纸的使用:

1. 从水贴纸上剪下印花;
2. 将印花放入温水中浸10秒, 然后放在干净布上。
3. 拿着印花纸板将印花移到模型上;
4. 手指蘸水将印花移到适当的位置;
5. 用软布轻压印花直至水干, 气泡消失。

DECAL APPLICATION

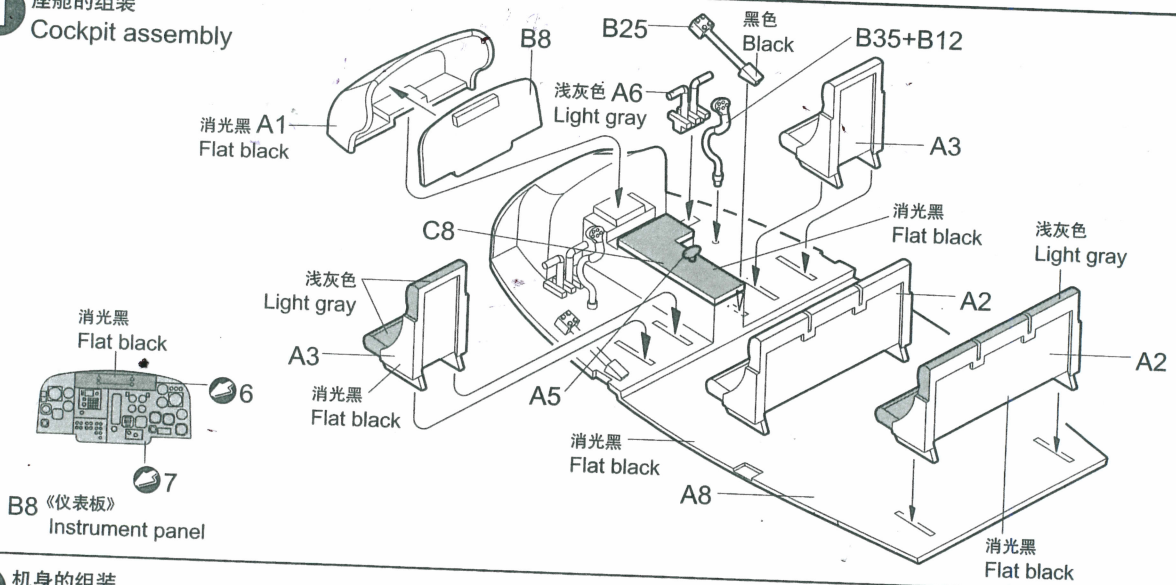
1. Cut off decal from sheet.
2. Dip the decal in tepid water 40°C for about 10 sec. and place on a clean cloth.
3. Hold the backing sheet edge and slide decal onto the model.
4. Move decal into position by wetting decal with finger.
5. Press decal gently down with a soft cloth until excess water and air bubbles are gone.

部品图 Parts

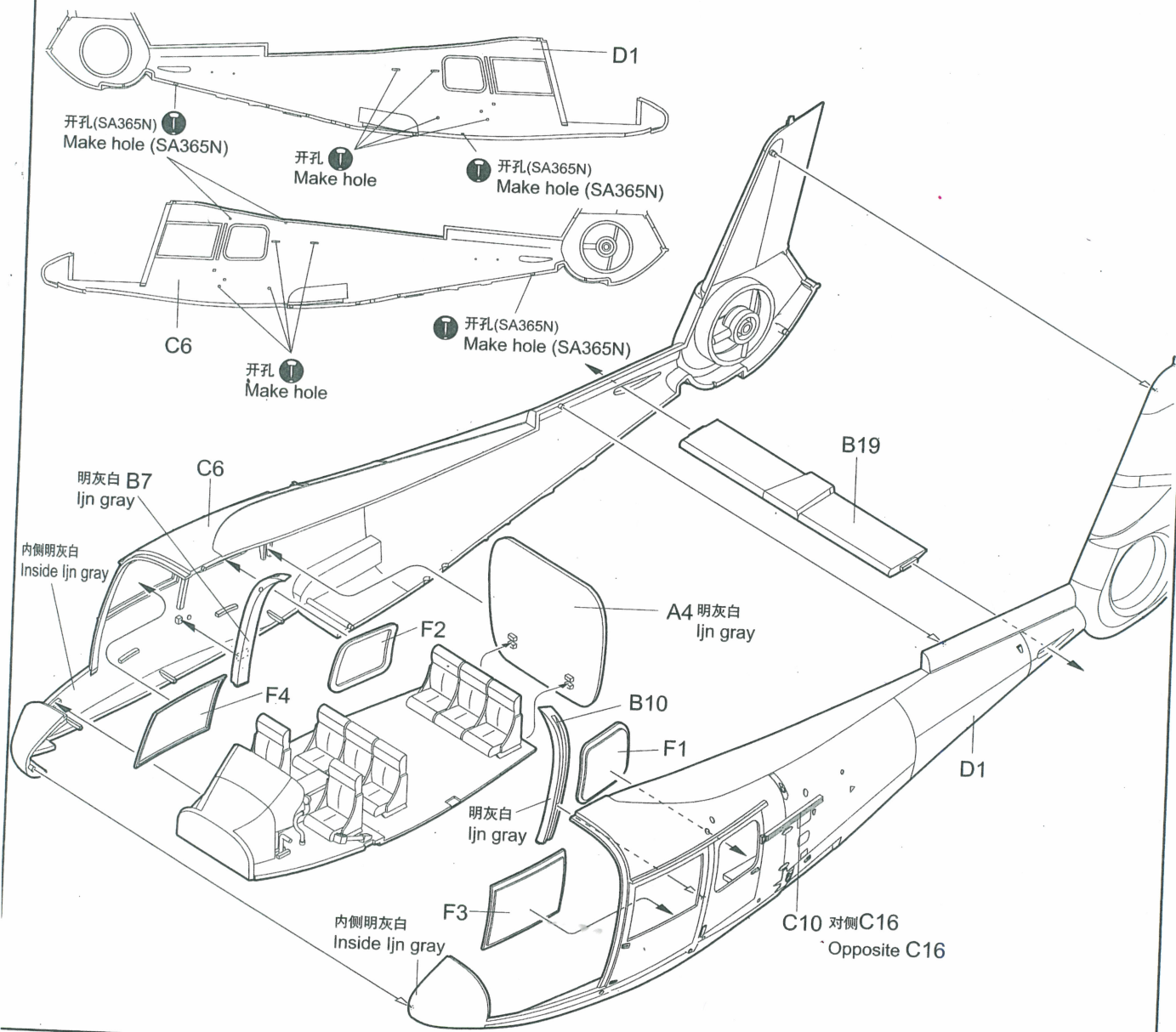


水贴纸 × 1
Decal × 1

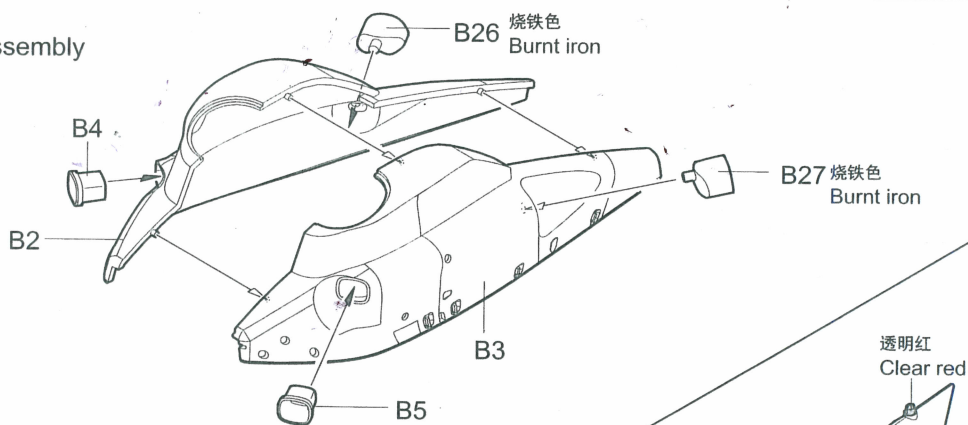
1 座舱的组装
Cockpit assembly



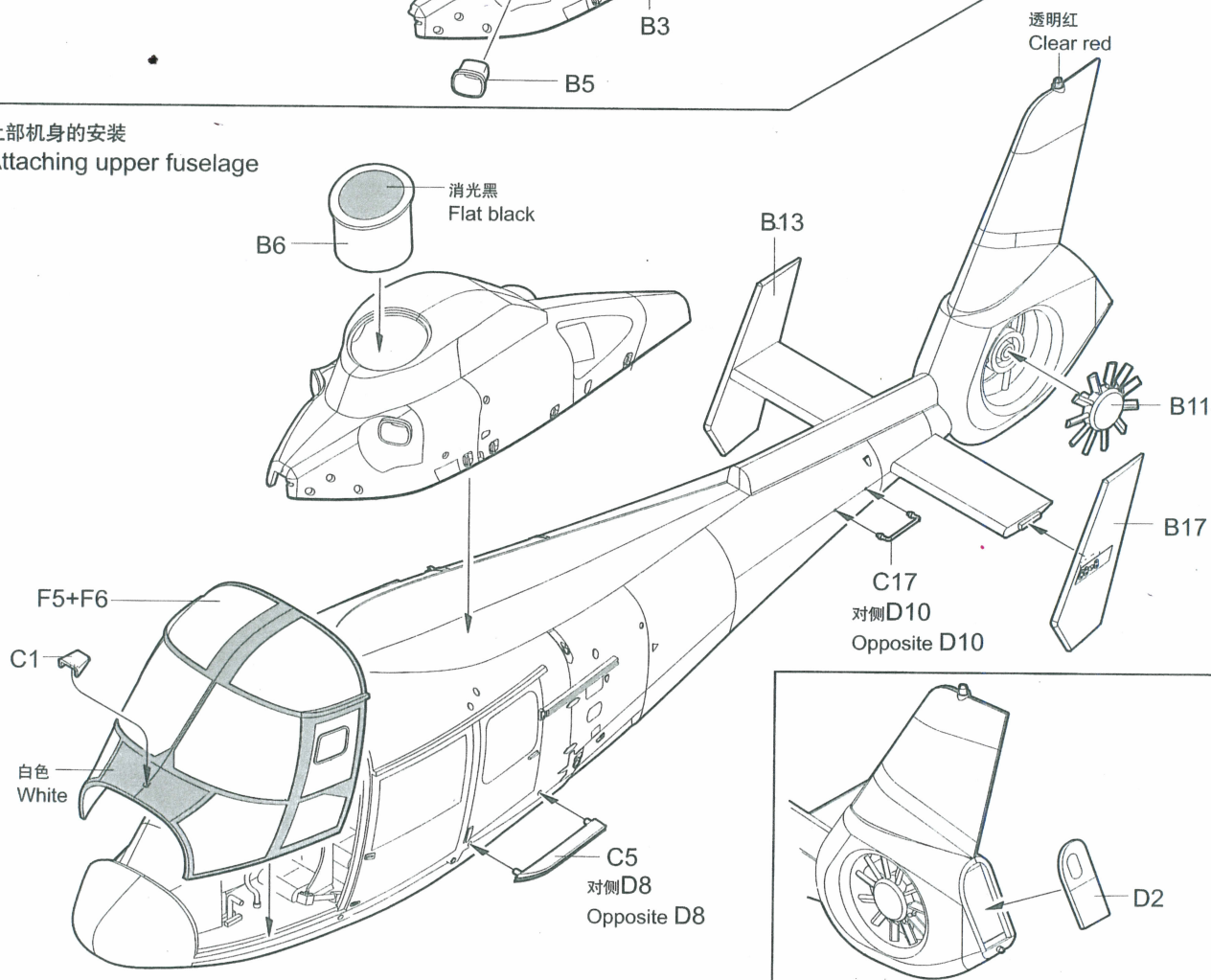
2 机身的组装
Fuselage assembly



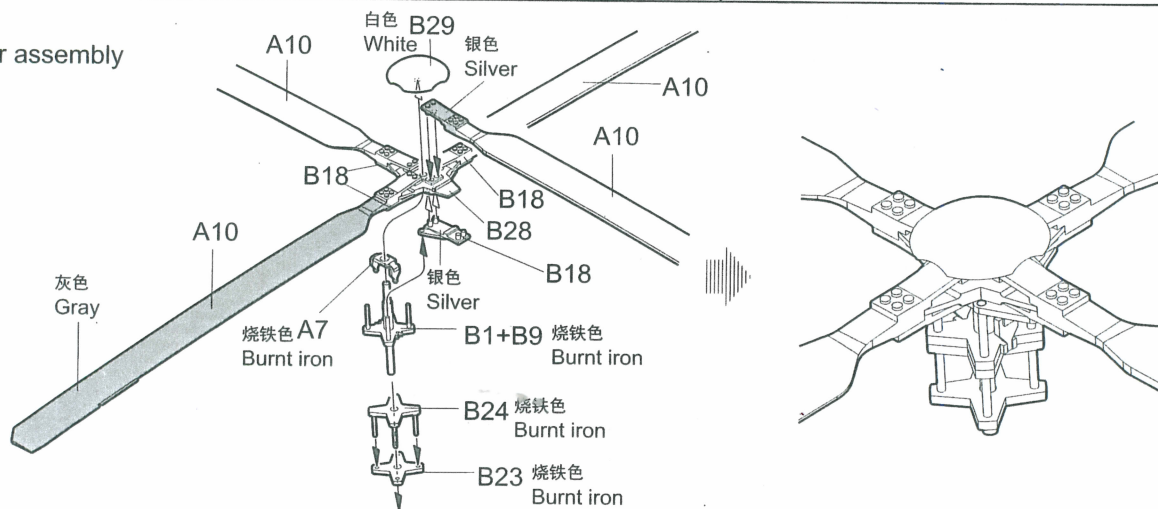
3 上部机身的组装
Upper fuselage assembly



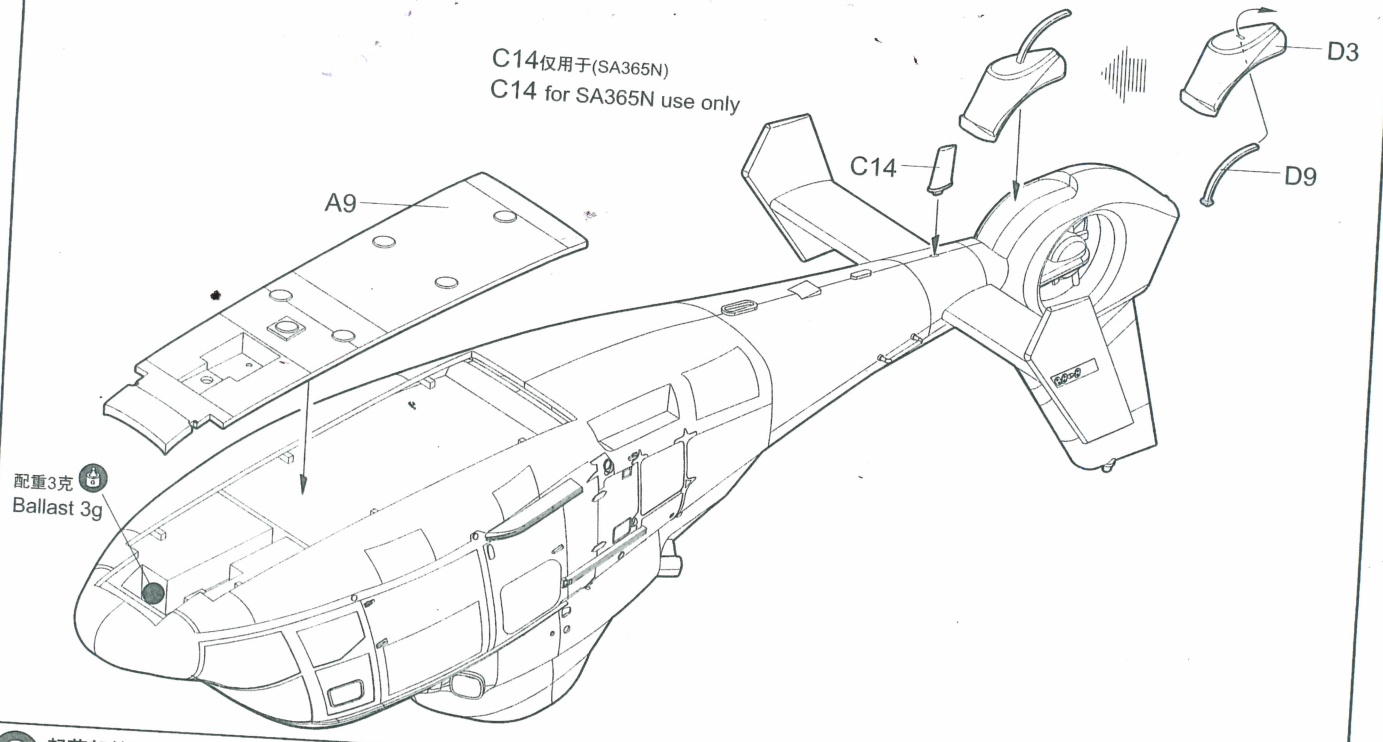
4 上部机身的安装
Attaching upper fuselage



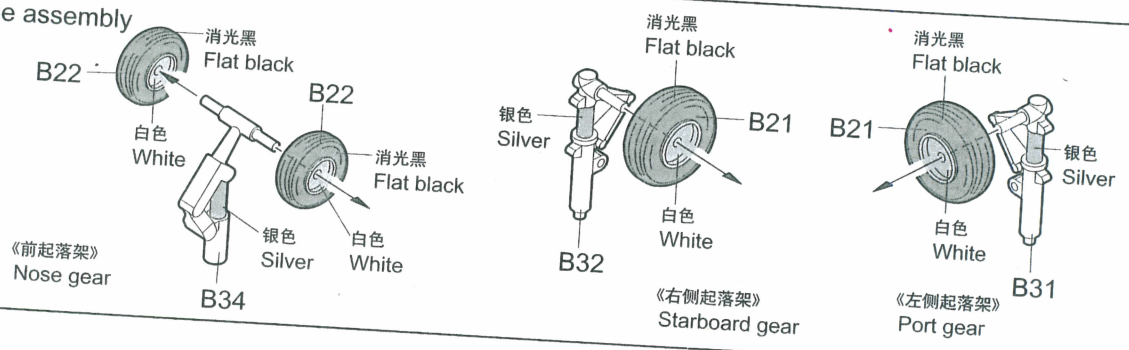
5 旋翼的组装
Main rotor assembly



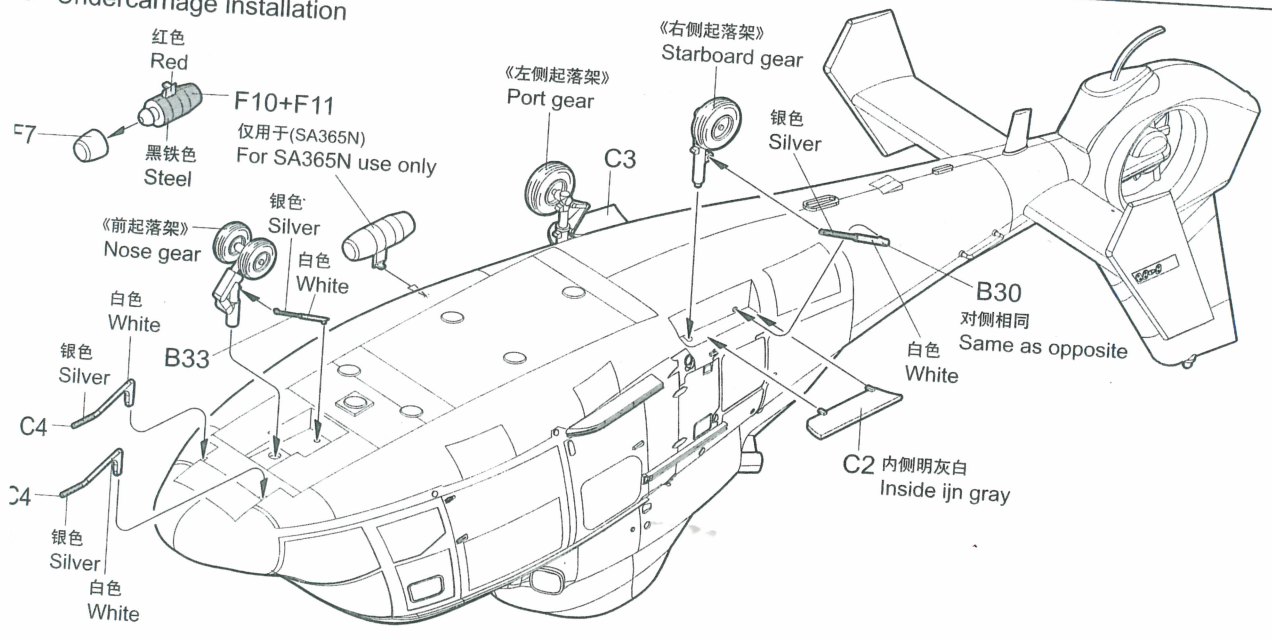
6 机身底部的组装
Lower fuselage assembly



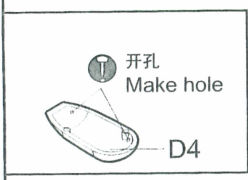
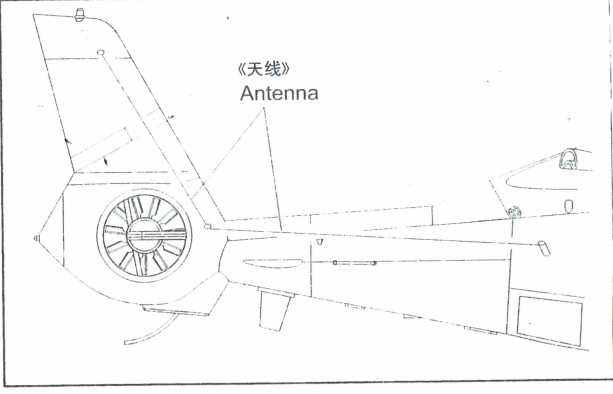
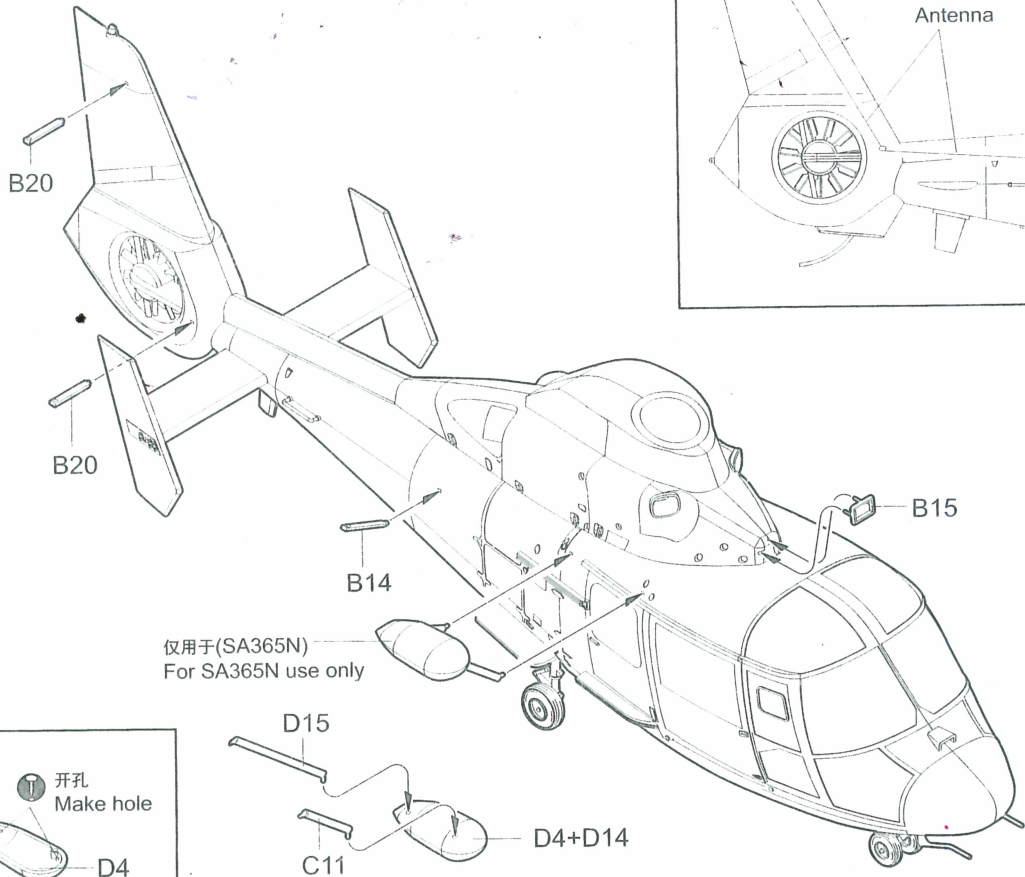
8 起落架的组装
Undercarriage assembly



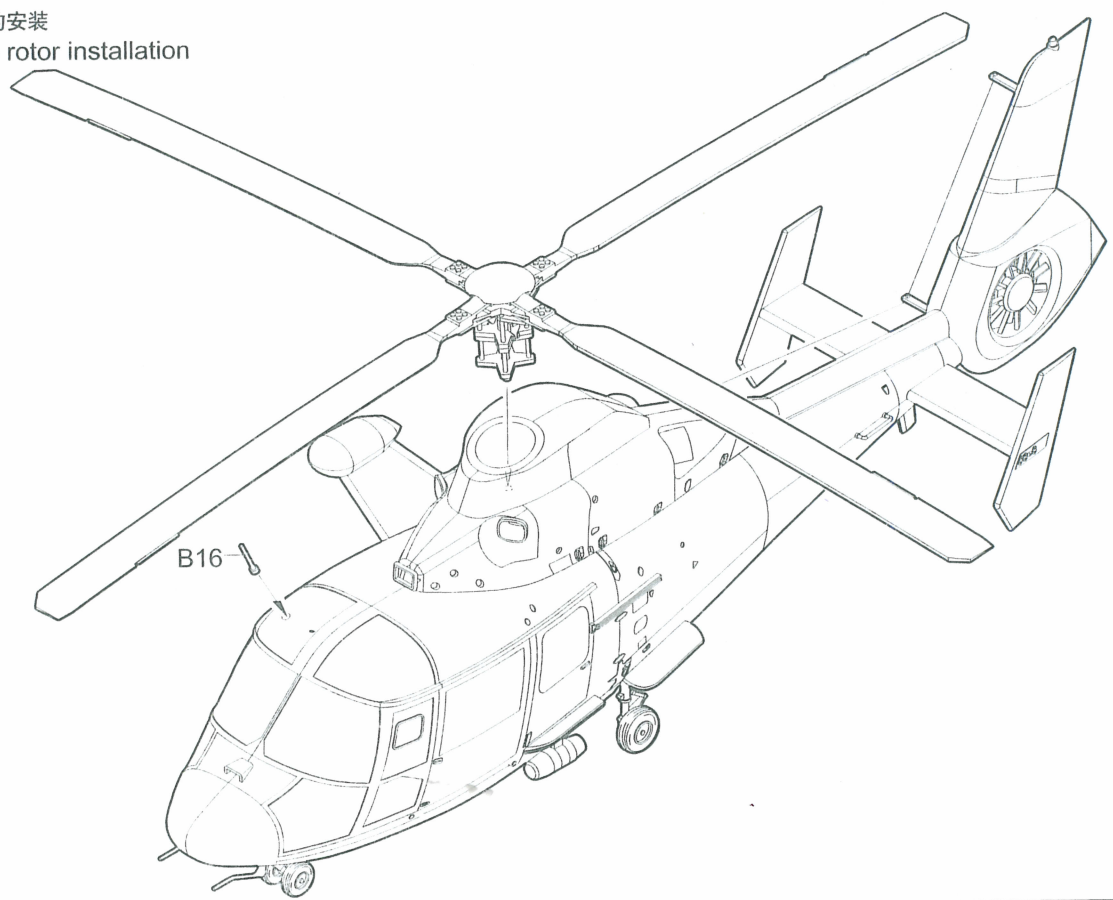
9 起落架的安装
Undercarriage installation



9 天线的安装
Antenna installation

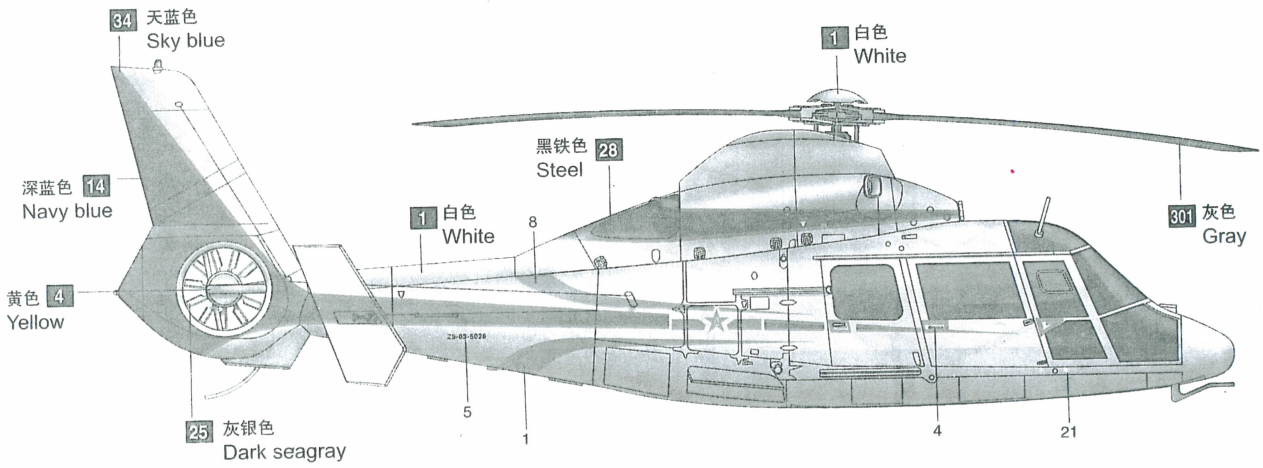
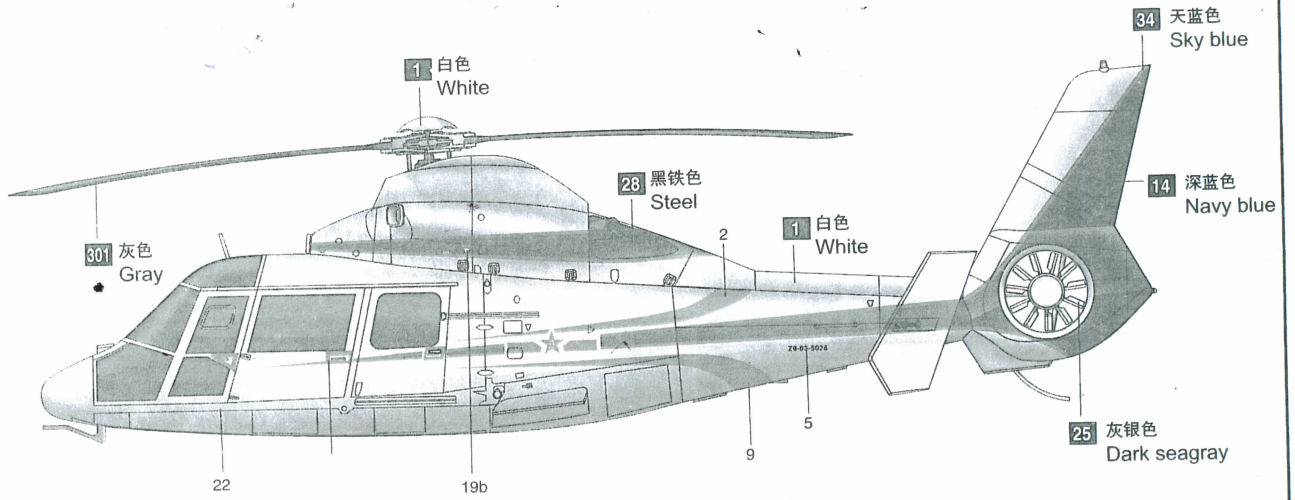


10 旋翼的安装
Main rotor installation



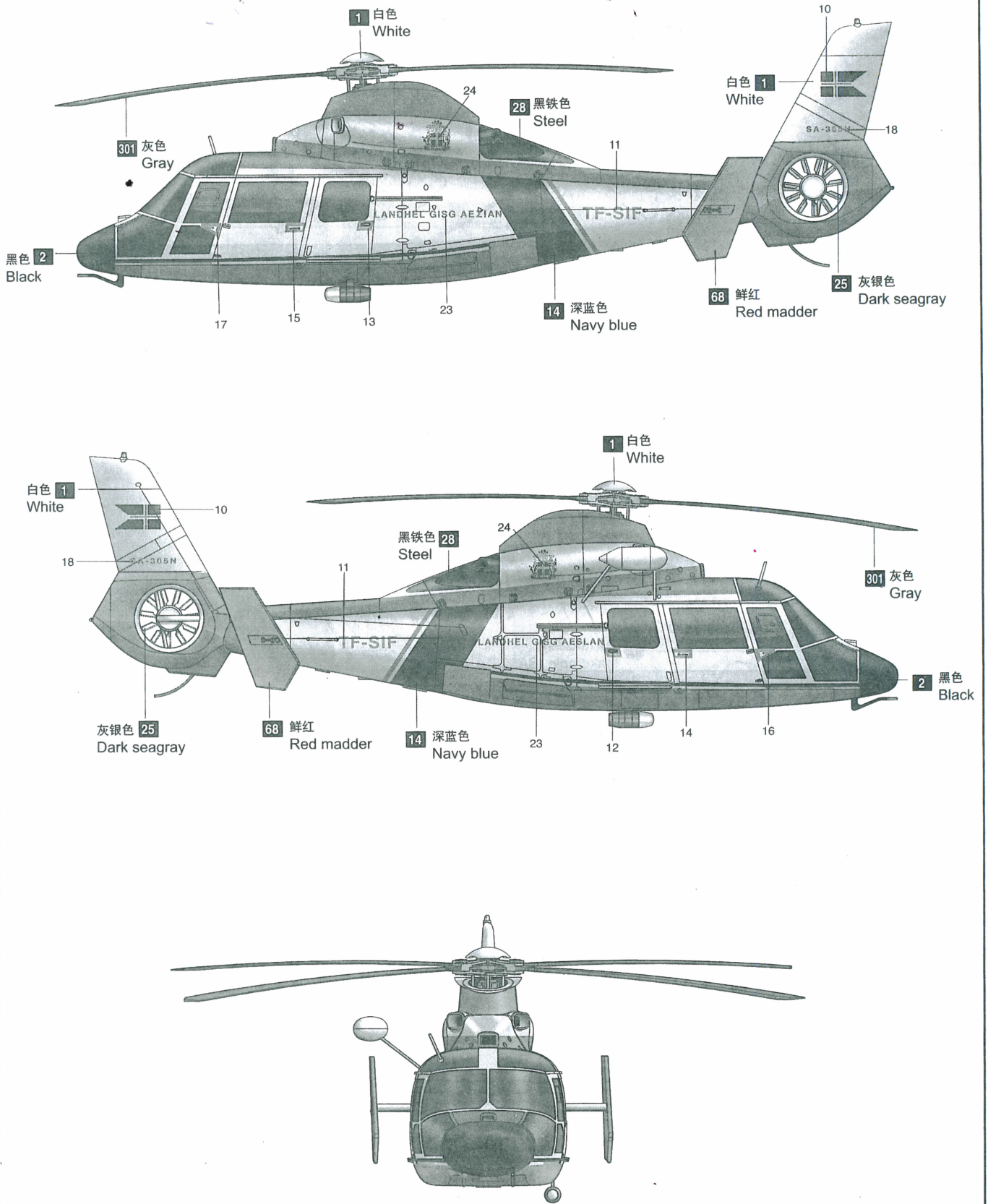
涂装同标贴指示
Painting & Marking guide

Aerospatiale SA365 Dauphin 2
Harbin Z-9A

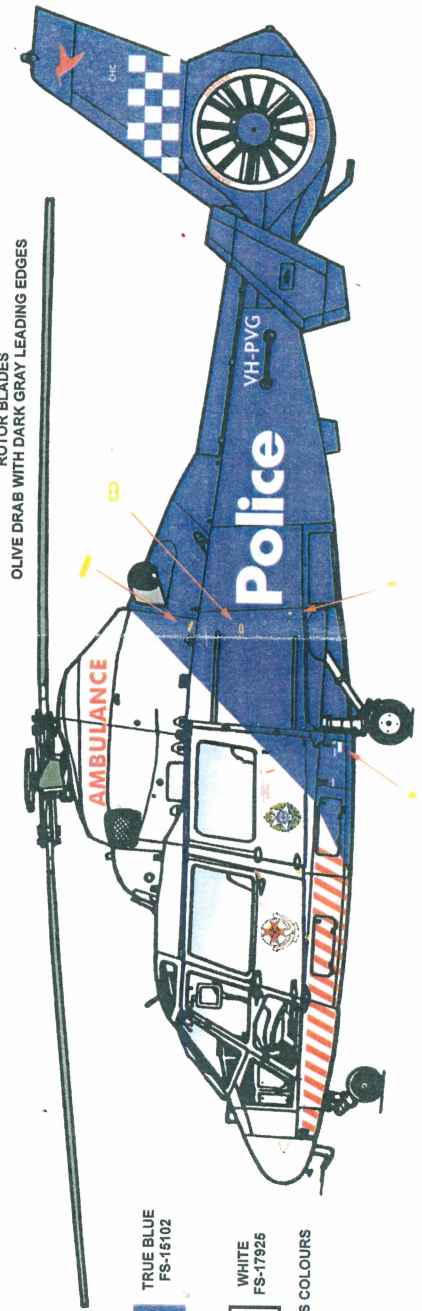


涂装同标贴指示
Painting & Marking guide

Aerospatiale SA365N Dauphin 2
Icelandic Coast Guard



VICTORIAN POLICE / AMBULANCE SERVICE
 SA 365C DAUPHIN



ROTOR BLADES
 OLIVE DRAB WITH DARK GRAY LEADING EDGES

- TRUE BLUE
FS-15102
- WHITE
FS-17925
- TESTORS COLOURS

INSTRUCTIONS:

Prepping the surface.

1. For best results in the Colour of the decals it is recommended to use the white decals first.
2. This mainly applies to the stars and bars and the presidents seal.
2. Then start proceedings with decal application.

Applying decals.

1. When you are ready to start applying the decals, it is recommended to cut as close to the item as possible to achieve the best results from them.
2. When soaking in water you only need to soak them for a maximum of 11seconds and then slide the item off the paper and straight on to the model.
3. Once on the model and in the right position, lightly press down on it with a dry tissue to soak up the excess water.
4. Once the decal has set and is dry you may then start to trim any excess off.

Notes:

These decals are still raw and do not have a clear varnish finish on them. This is to prevent them from cracking and turning yellow over time in storage. However, there is a thin film of oil on them so before you apply any clear lacquer to them once they are on the aircraft we recommend that you give them a light whip over with a soapy damp cloth. Then you can apply some lacquer to your model.

Warning: Be very gentle with the decal film when applying to model. As the decal film is very thin and may tear if mistreated.

We hope that you enjoy these decals.