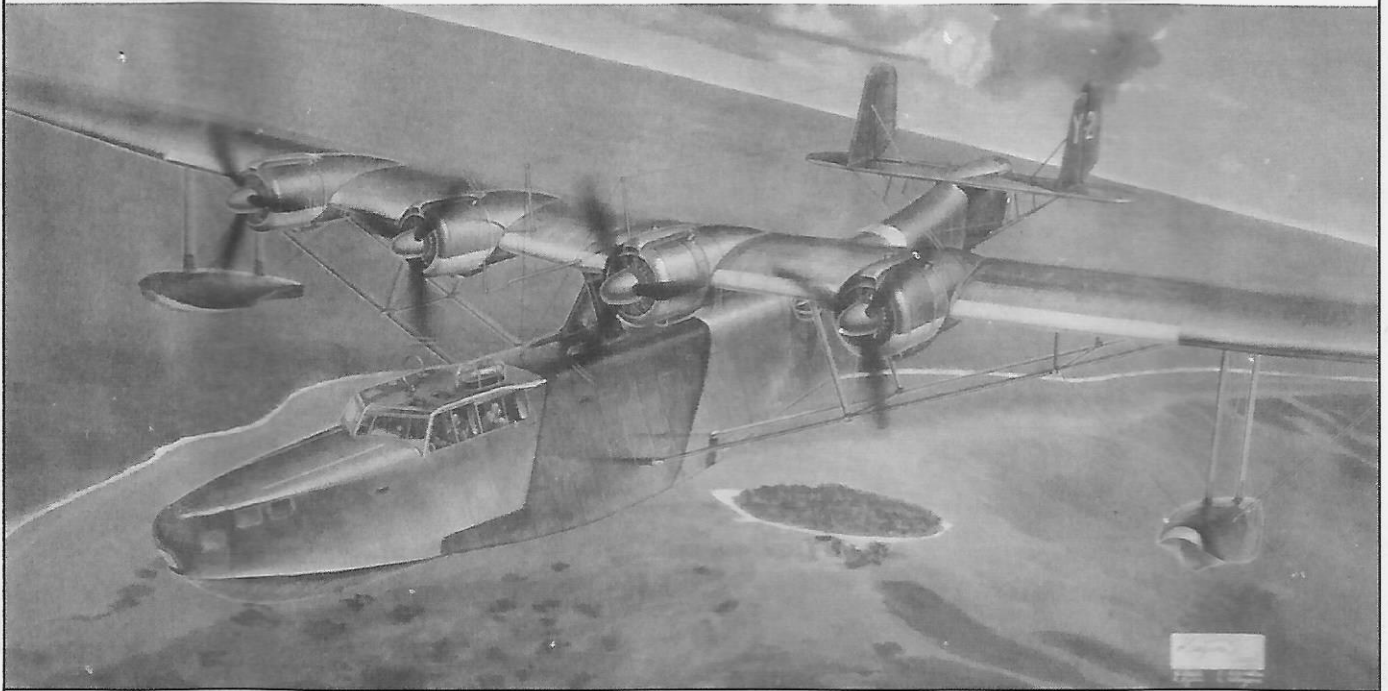


1:144 SCALE

JIN Kawanishi H6K5

Type 97 Mavis Flying Boat

日本海军川西九七式飞行大艇23型



The KAWANISHI H6K Type 97 Flying Boat had been aced from the Japanese war in China until mid of the Pacific War. Its graceful appearance and good efficiency was not at all inferior to the Flying Boat of UK and US as of the newest style in those days.

In 1934, the Imperial Japanese Navy(IJN) ordered developmen for the four engines large flying boat to KAWANISHI.

The prototype of H6K was designed by a team under Shizuo Kikuhara. (He won fame by development for the Shidenkai in his later years.)

Its initial flight on 14 July 1936 and the H6K1 Type 97 Flying Boat Model 1 delivered to the IJN in January 1938.

And production continued until 1942 with 179 being produced.

It was employed primarily as a reconnaissance aircraft and transport or bomber. Armed type that could carry bombs or 800 kilograms (1,7631b) aerial torpedoes.

The H6K5 Type 97 Model 23 was final product variant as adopted by IJN in August 1942. It had fitted with Misubishi Kinsei 51 or 53 radials and four of the hand-held 7.7 millimeter gun and a 20 millimeter cannon.

After mid of the Pacific War, the H6Ks was vulnerable to Allied fighters because of its lack of speed, armor, self-sealing fuel tanks. Therefore the remaining H6Ks were very few at war's end.



cyanoacrylate glue
使用强力胶



weight
配重



make hole
钻孔



cut / remove
切除



bend
弯曲



file / sand
锉平



option
选择



no cement
不涂胶水



decal
贴纸

水贴纸的使用:

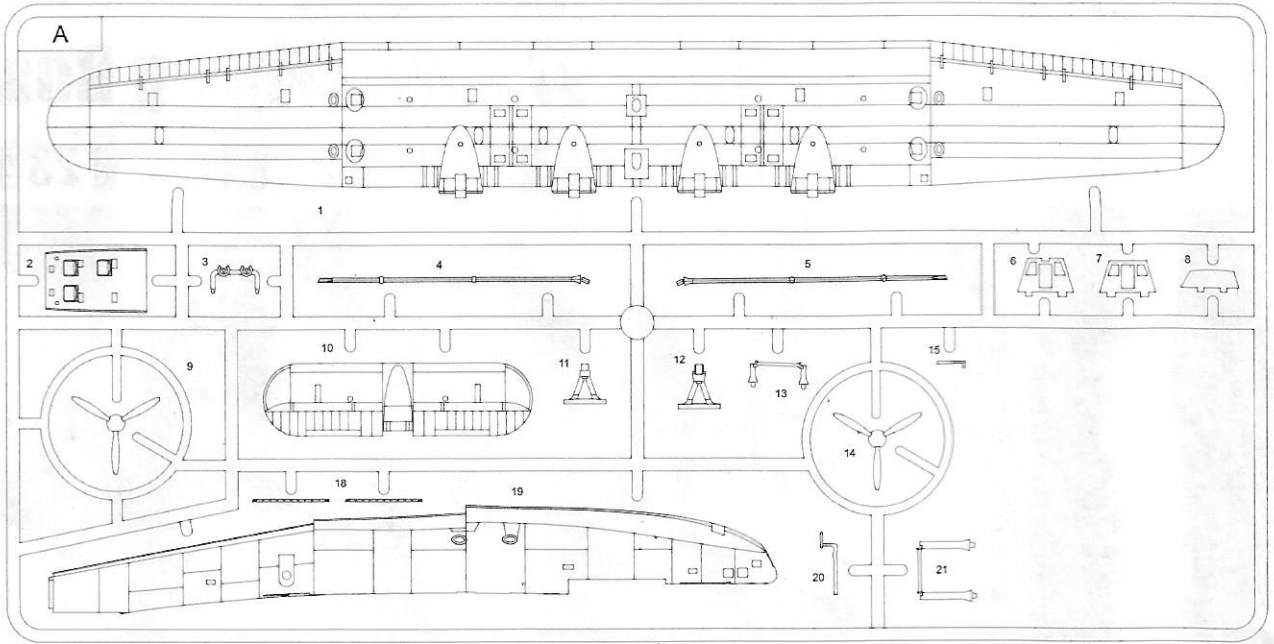
1. 从水贴上剪下印花;
2. 将印花放入温水中浸10秒, 然后放在干净布上。
3. 拿着印花纸板将印花移到模型上;
4. 手指蘸水将印花移到适当的位置;
5. 用软布轻压印花直至水干, 气泡消失。

DECAL APPLICATION

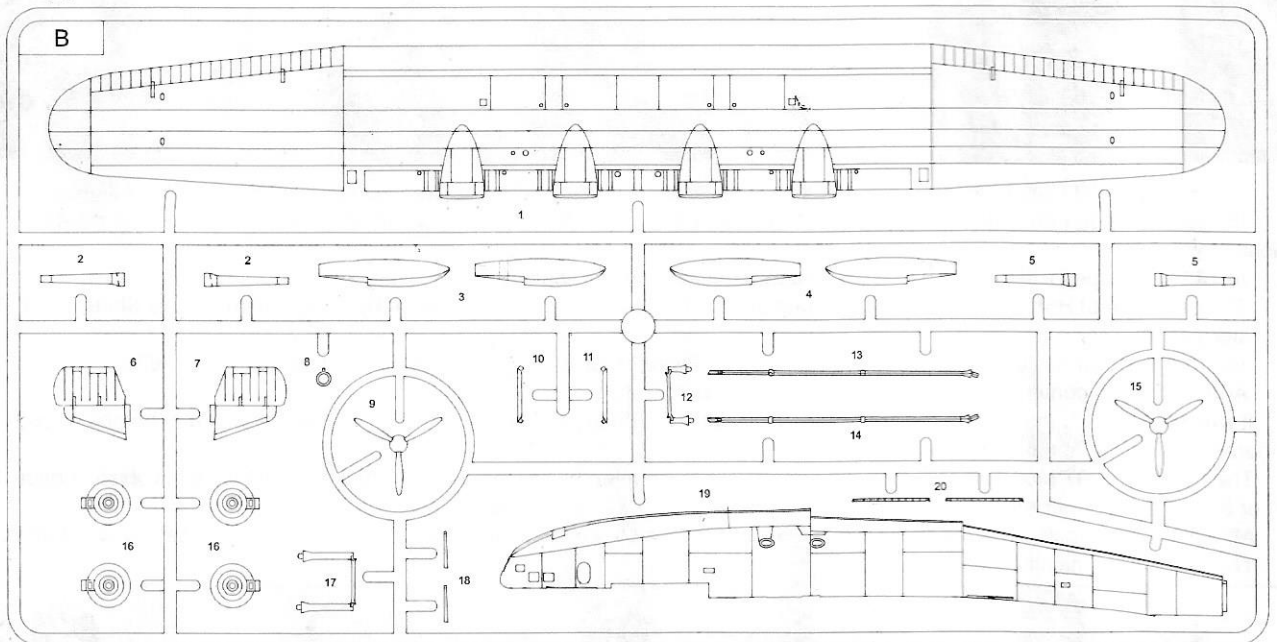
1. Cut off decal from sheet.
2. Dip the decal in tepid water 40°C for about 10 sec. and place on a clean cloth.
3. Hold the backing sheet edge and slide decal onto the model.
4. Move decal into position by wetting decal with finger.
5. Press decal gently down with a soft cloth until excess water and air bubbles are gone.

部品图 Parts

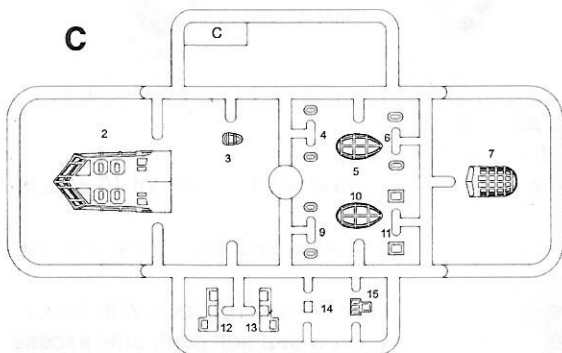
A



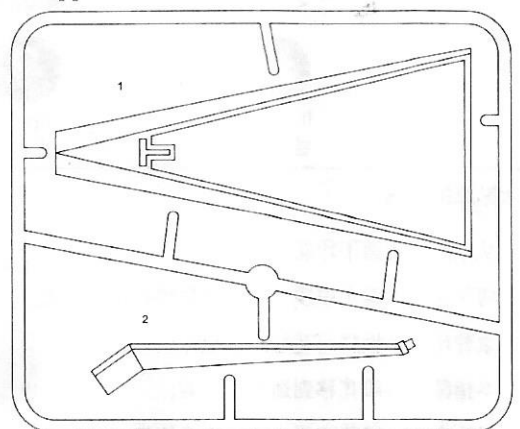
B



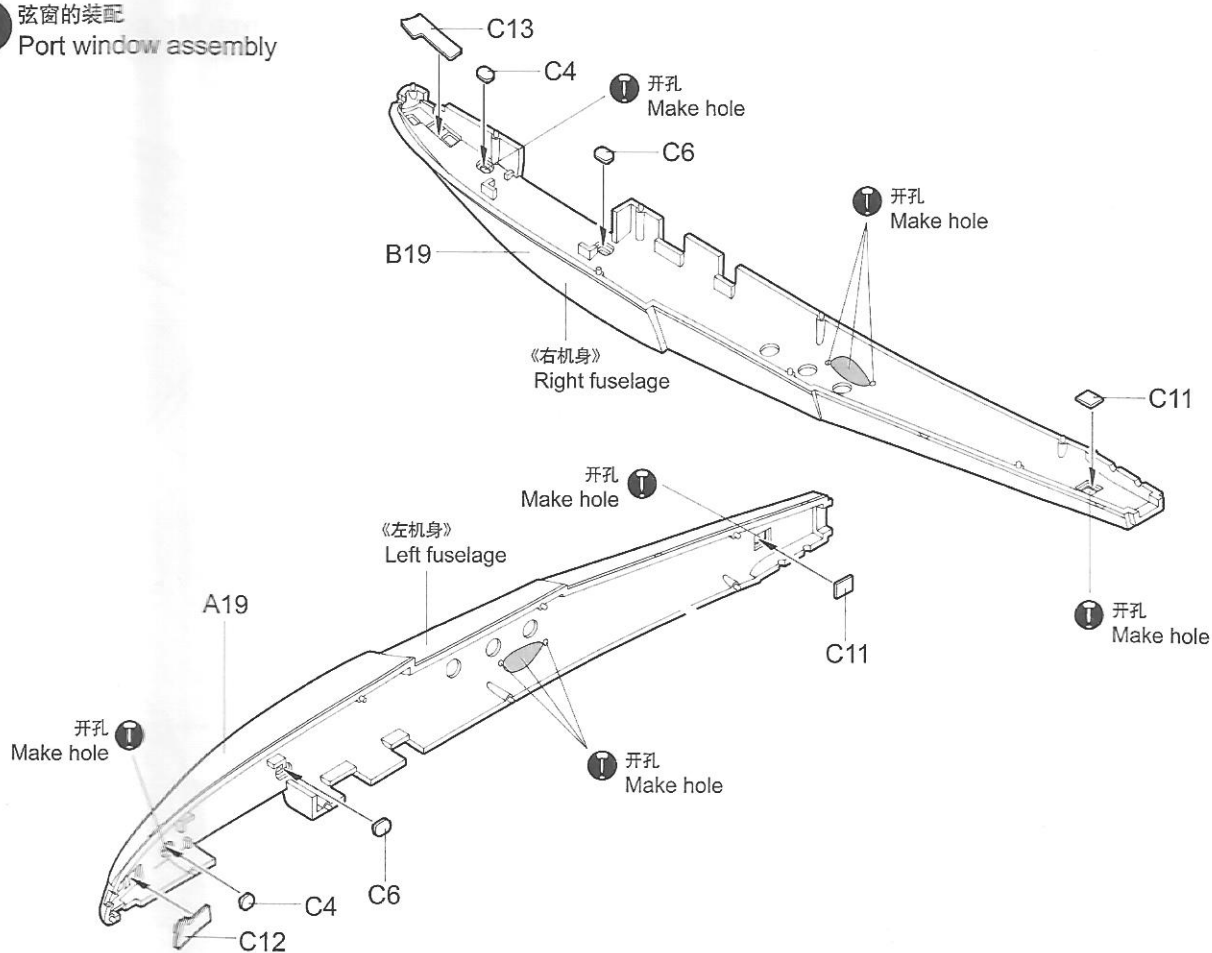
C



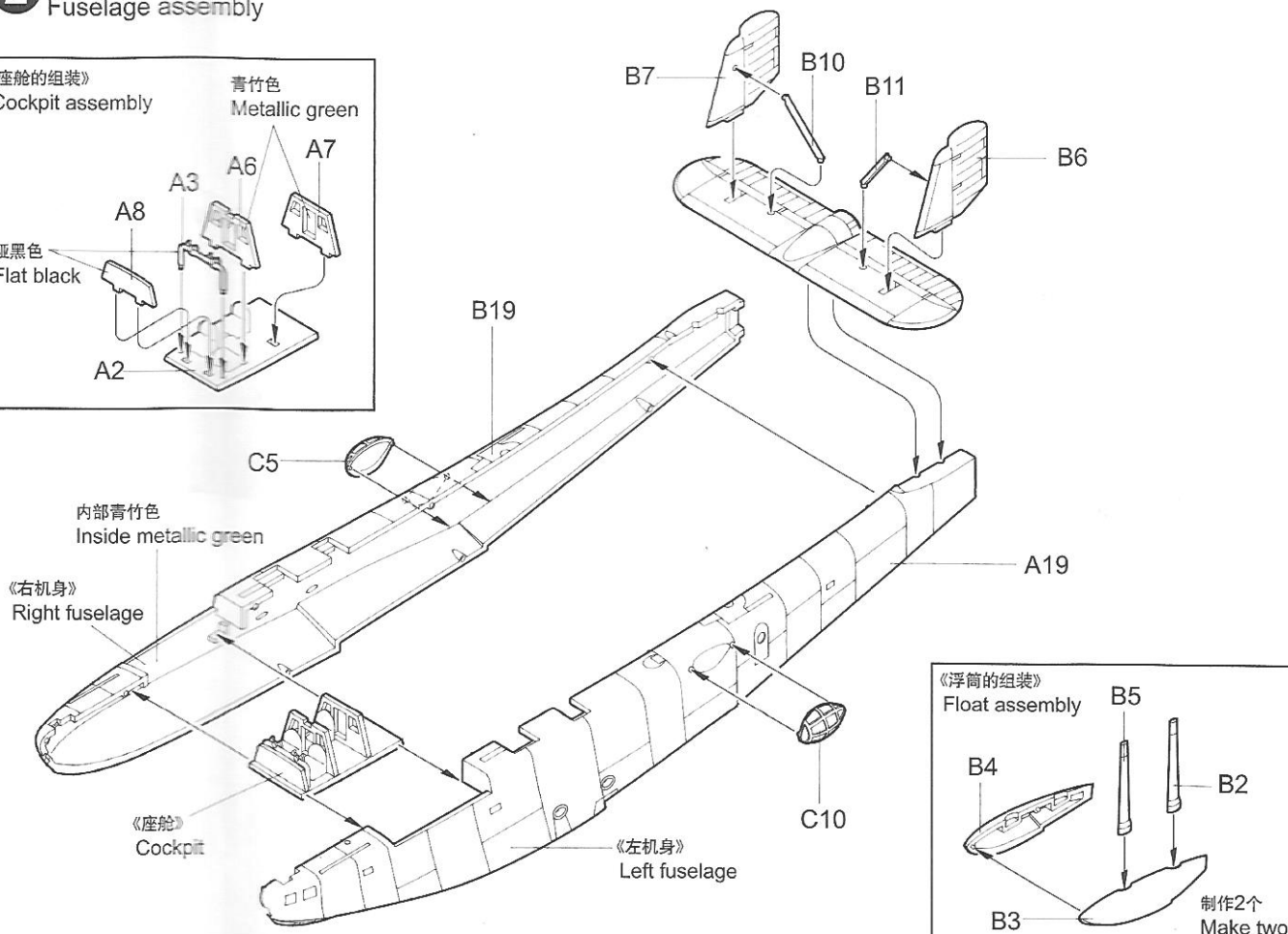
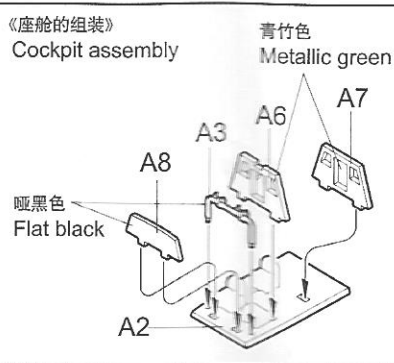
H



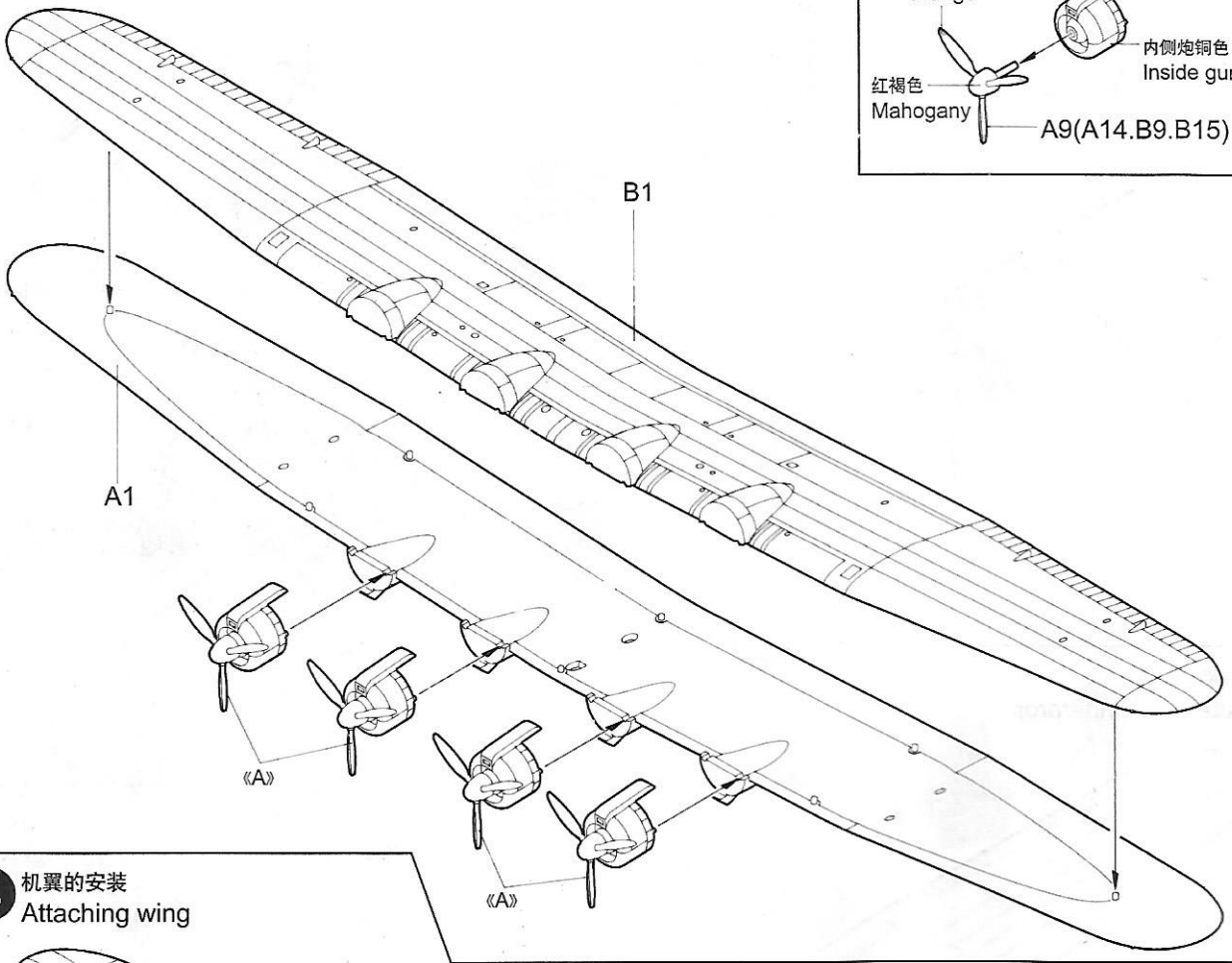
1 弦窗的装配
Port window assembly



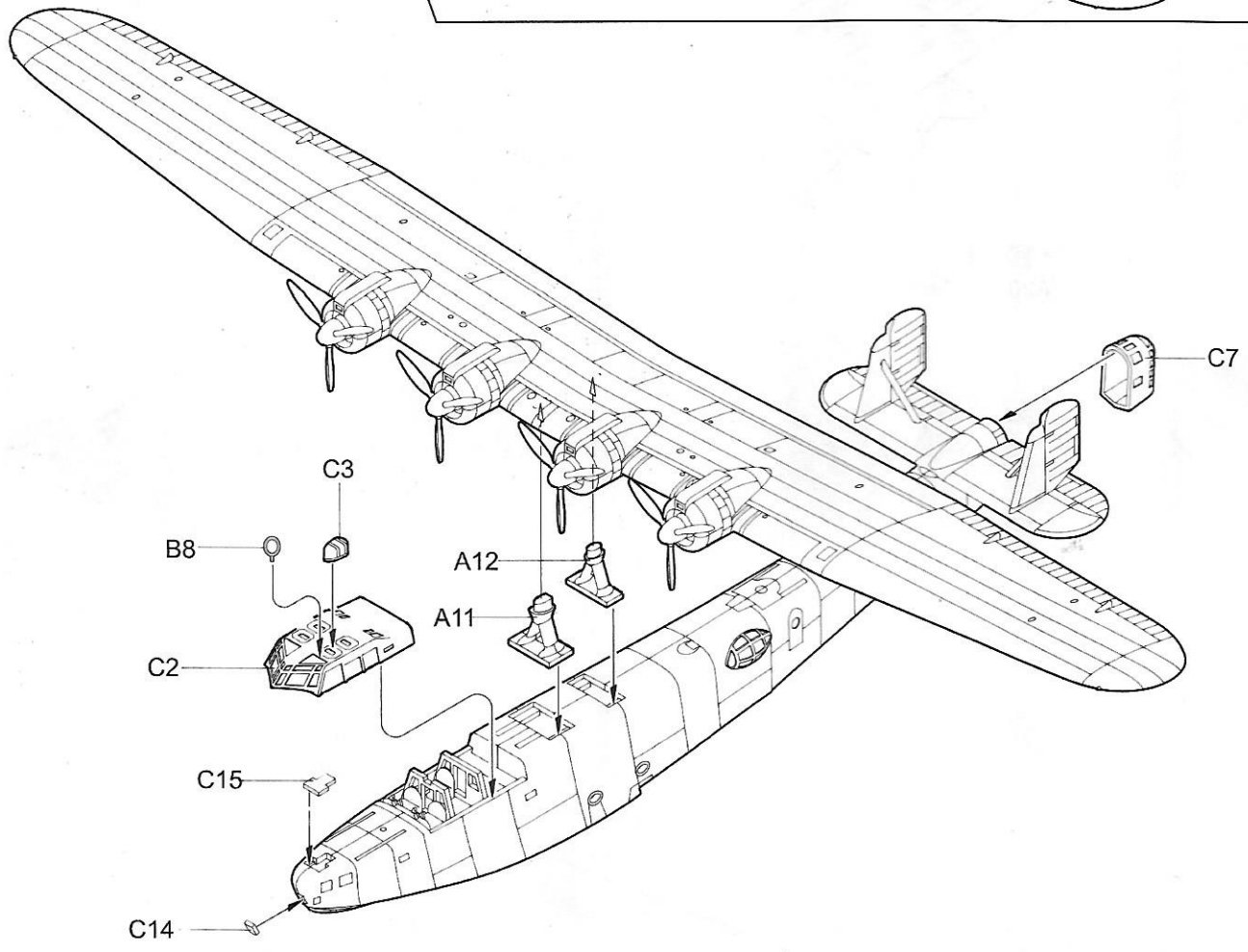
2 机身的组装
Fuselage assembly



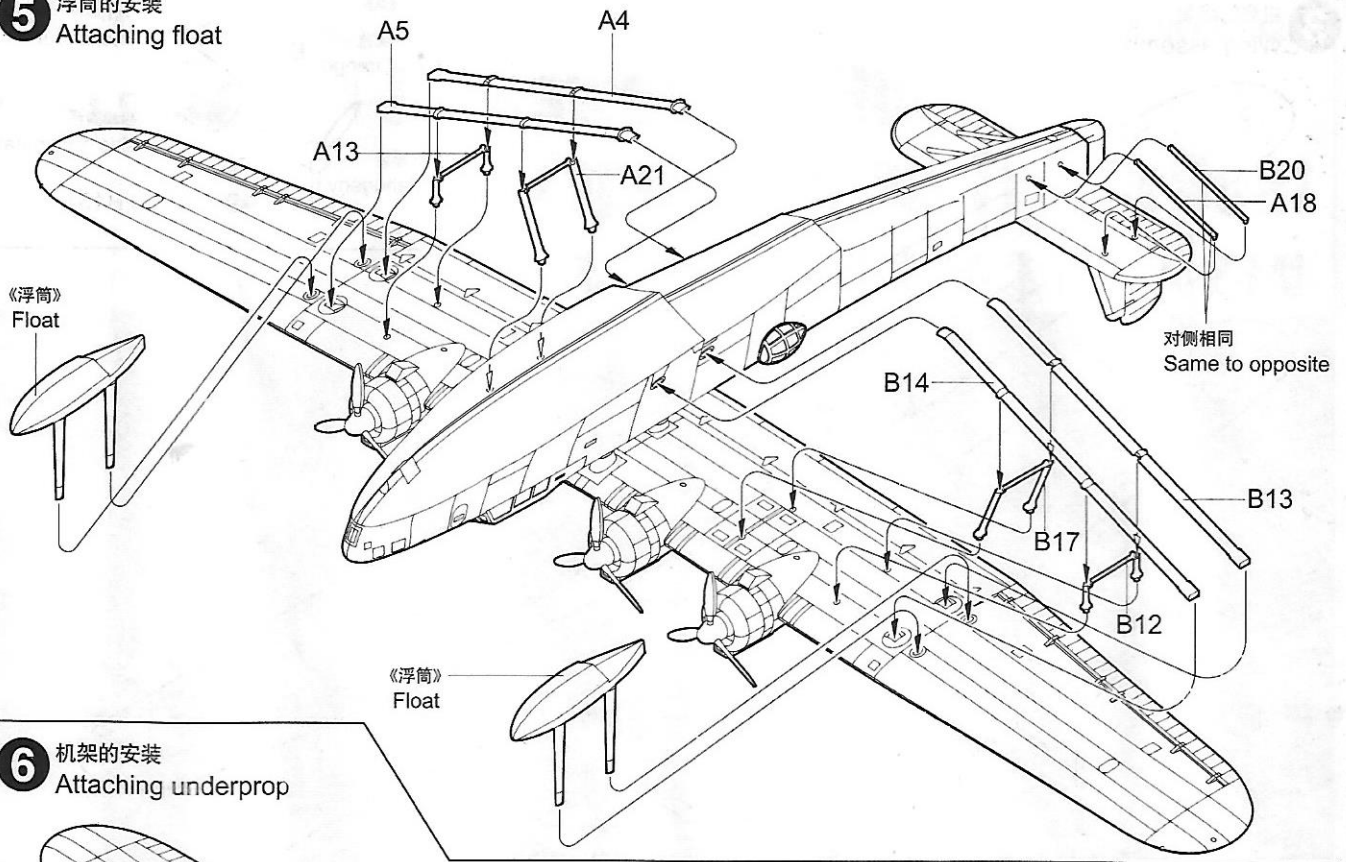
3 机翼的组装
Wing assembly



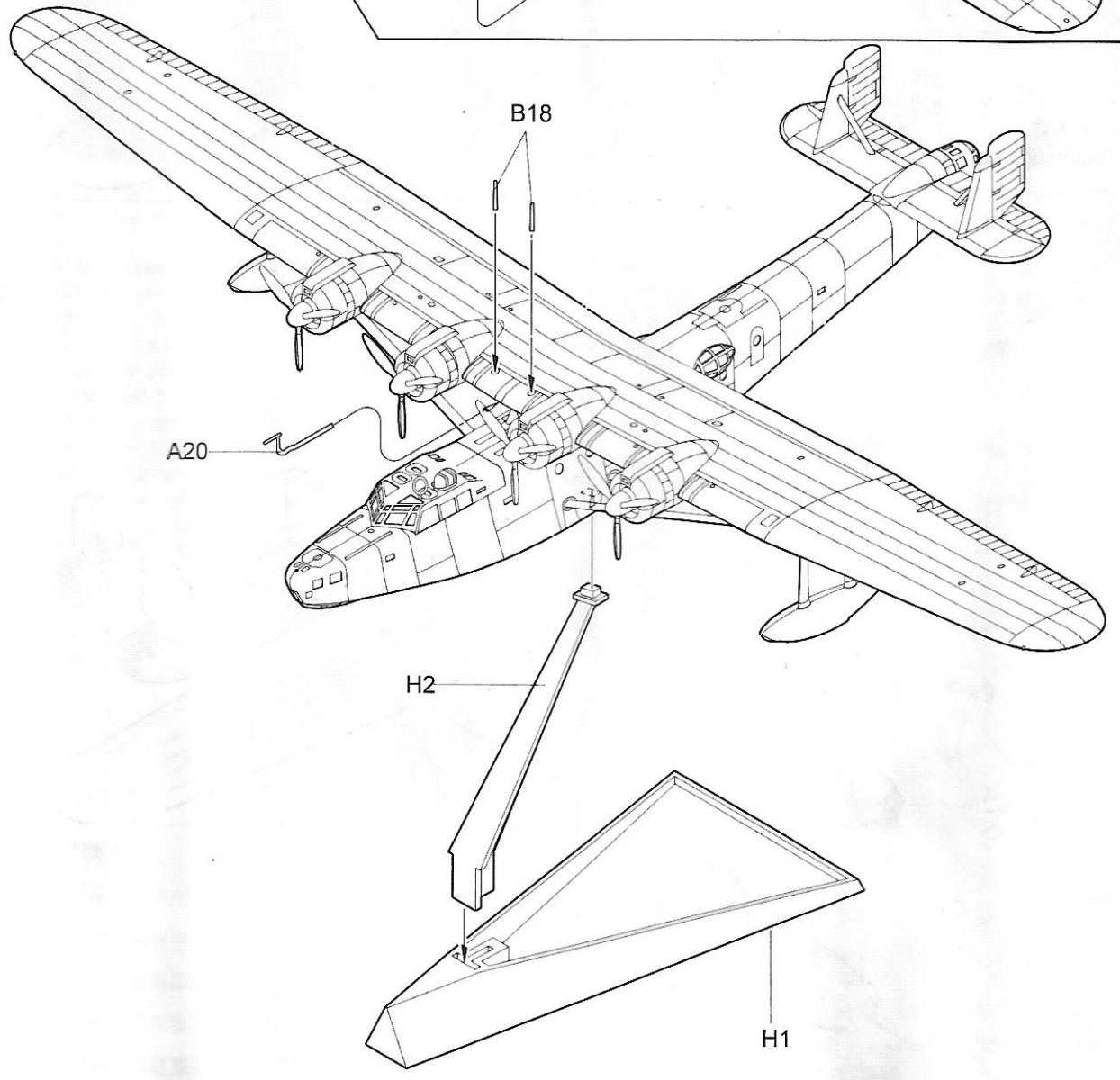
4 机翼的安装
Attaching wing



5 浮筒的安装
Attaching float



6 机架的安装
Attaching underprop



涂装同标贴指示 Painting & Marking guide

郡仕色使用

Gunze Mr. color used

