

# 零式艦上戦闘機

A6M2 ZERO FIGHTER W/INTERIOR OF THE ENGINE AND WEAPONS

Border



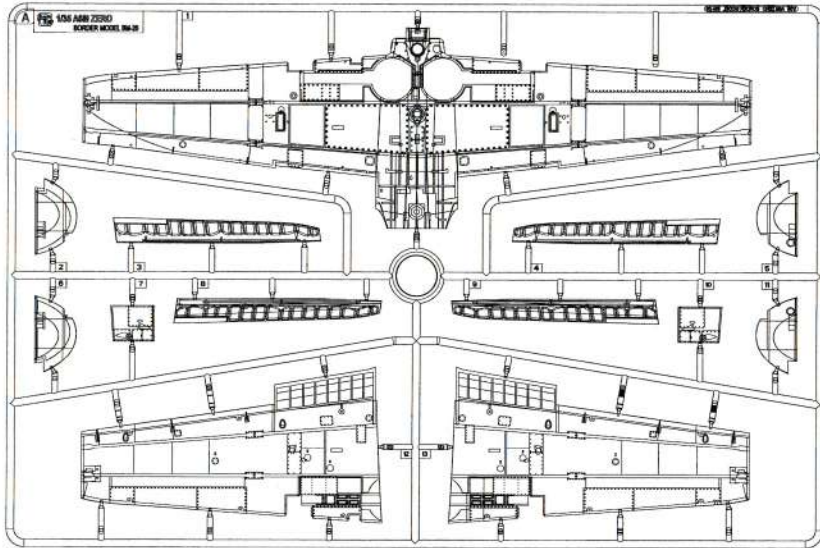
JASON 2023

- 3 PAINTING SCHEMES.
- INCLUDES PE & CLEAR PARTS.
- INCLUDING DROP TANKS AND BOMBS.
- INCLUDING THE INTERIOR OF THE ENGINE AND WEAPONS.
- THE ENTIRE FUSELAGE IS DESIGNED WITH STRESSED SKIN AND ADDED RIVETS, PERFECTLY REPLICATING SURFACE DETAILS.

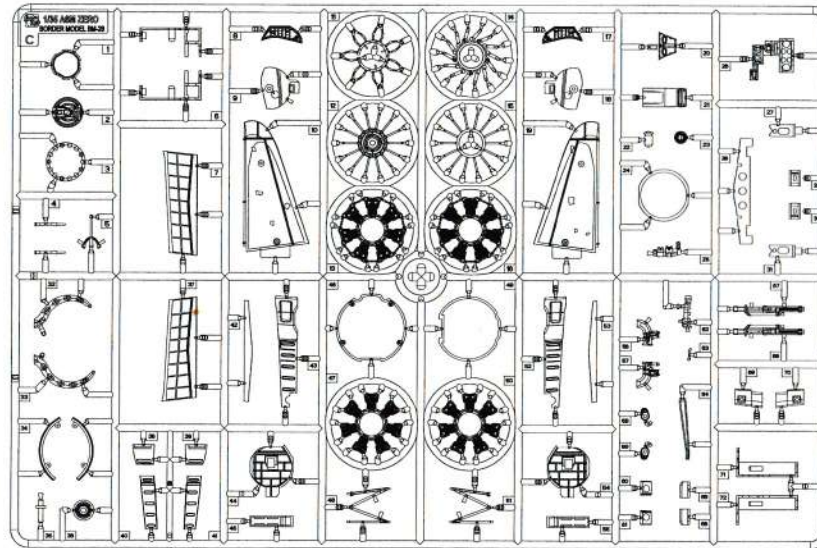
• READY TO ASSEMBLE PRECISION MODEL KIT • MODELING SKILLS HELPFUL IF UNDER 14 YEARS OF AGE • MODEL MAY VARY FROM IMAGE ON BOX • CEMENT AND PAINT NOT INCLUDED

Okinawa 1945

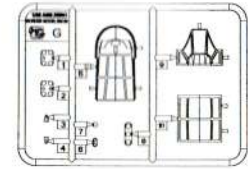
**A x1**



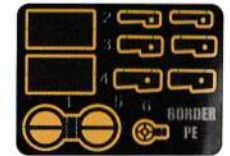
**C x1**



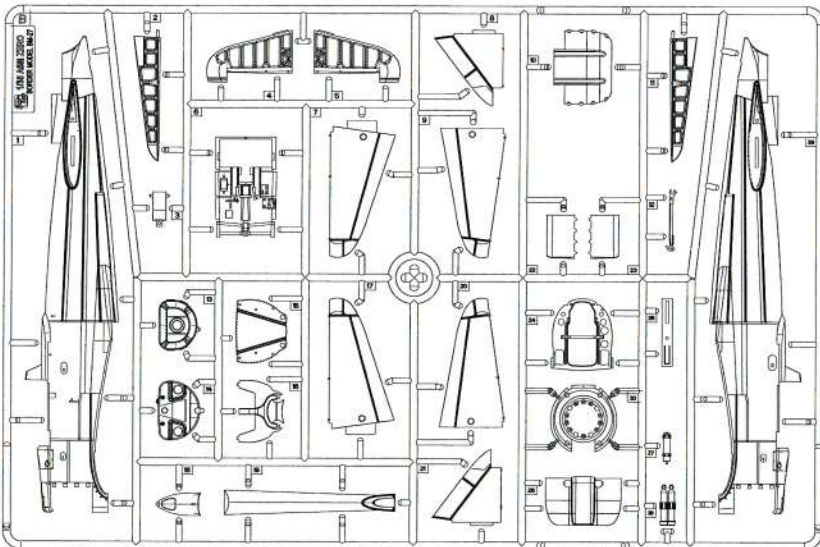
**G x1**



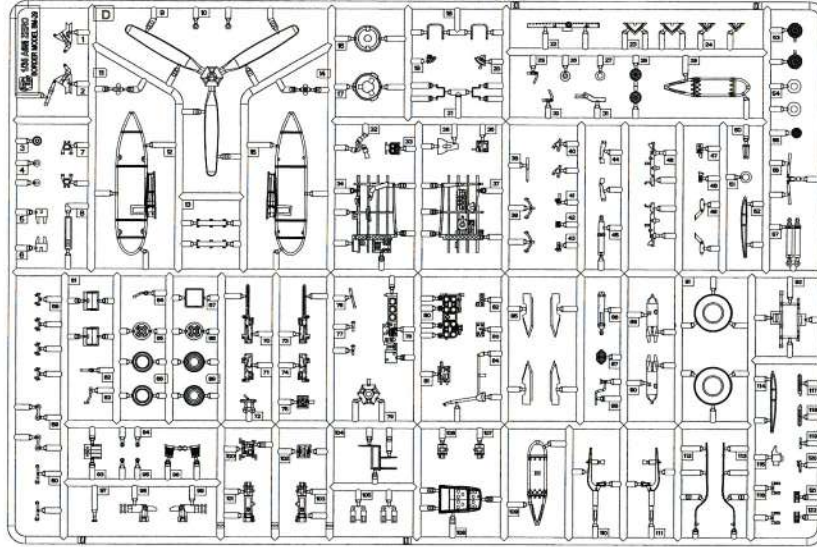
彈簧 SPRING ばね  
\*5PCS



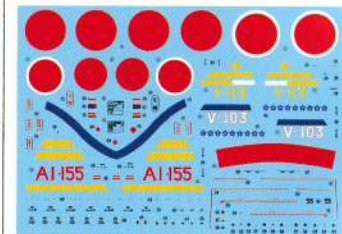
**B x1**



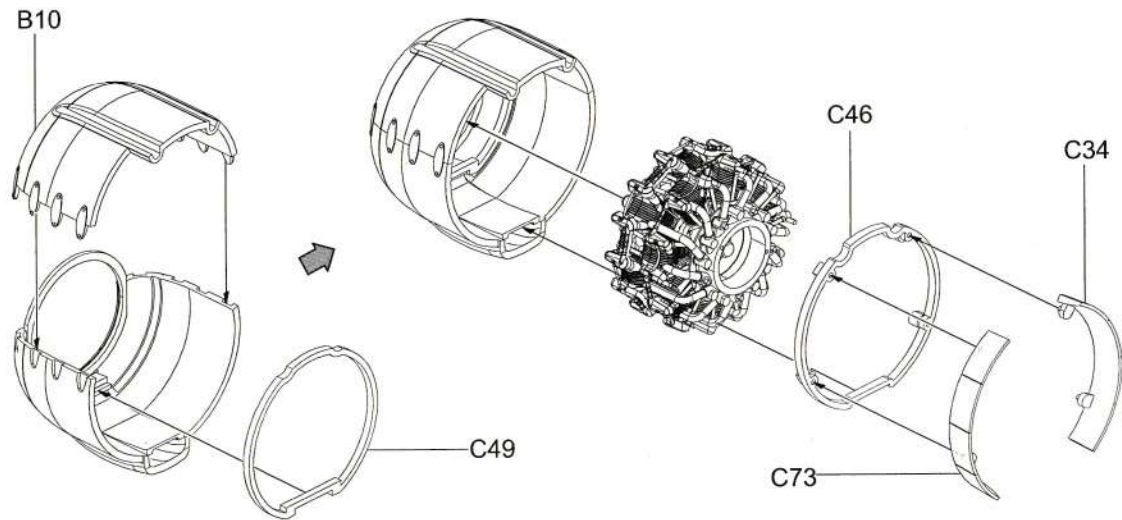
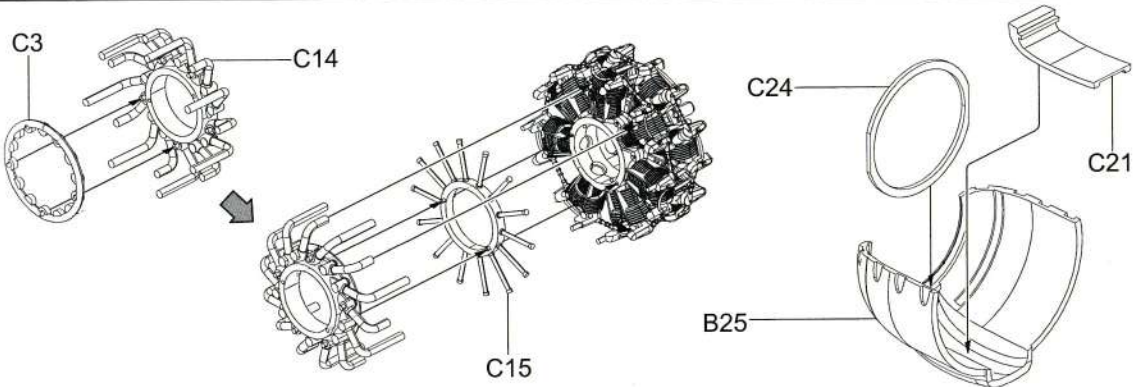
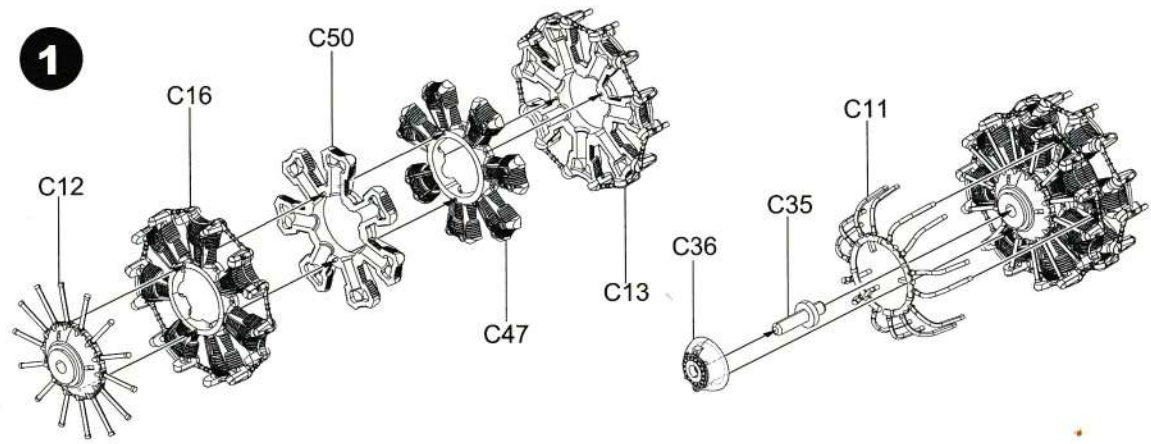
**D x1**



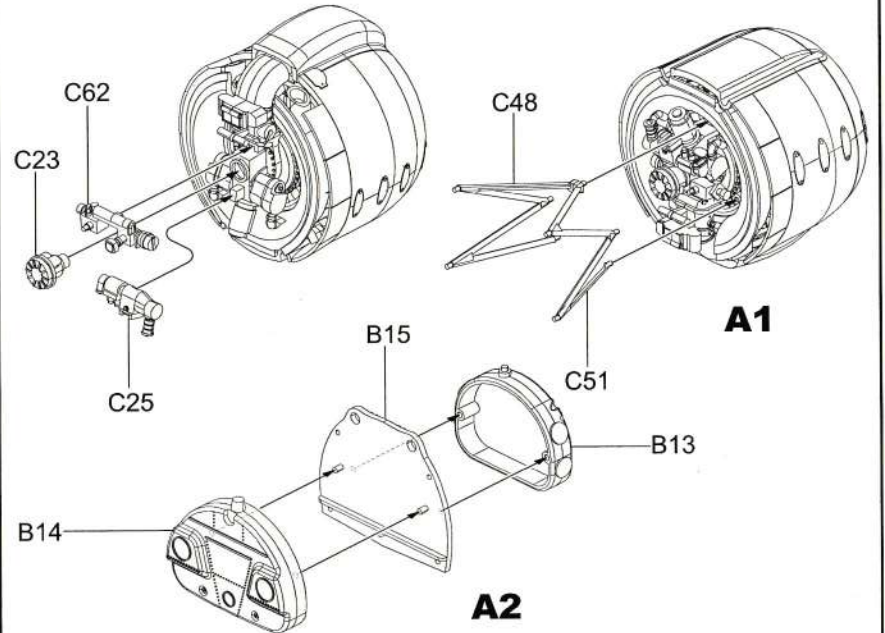
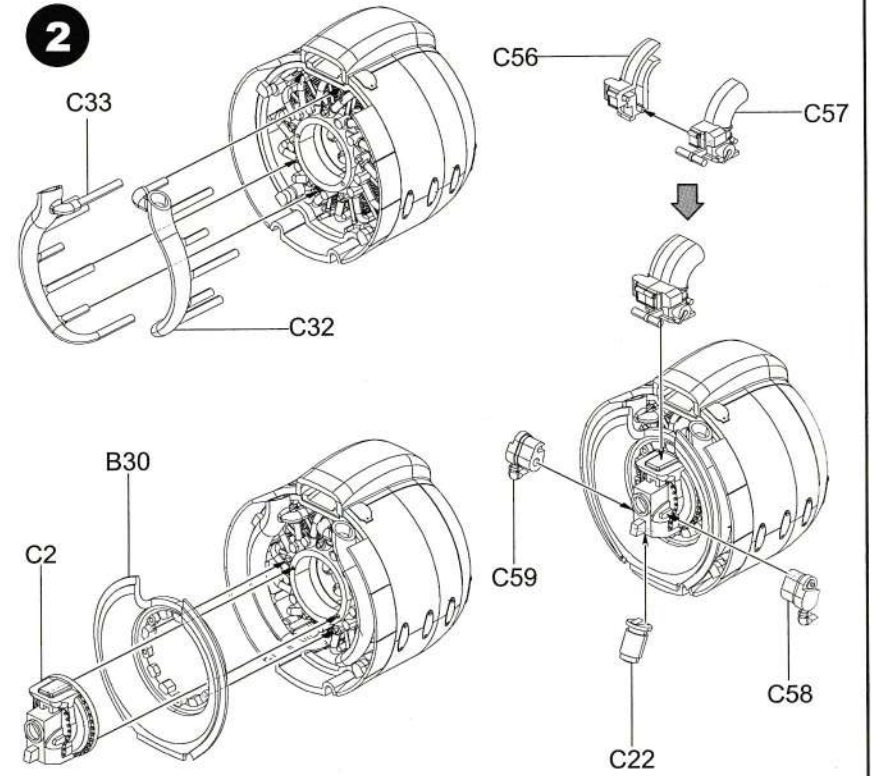
METAL WIRE 0.6\*72 MM 2PCS  
DEACL

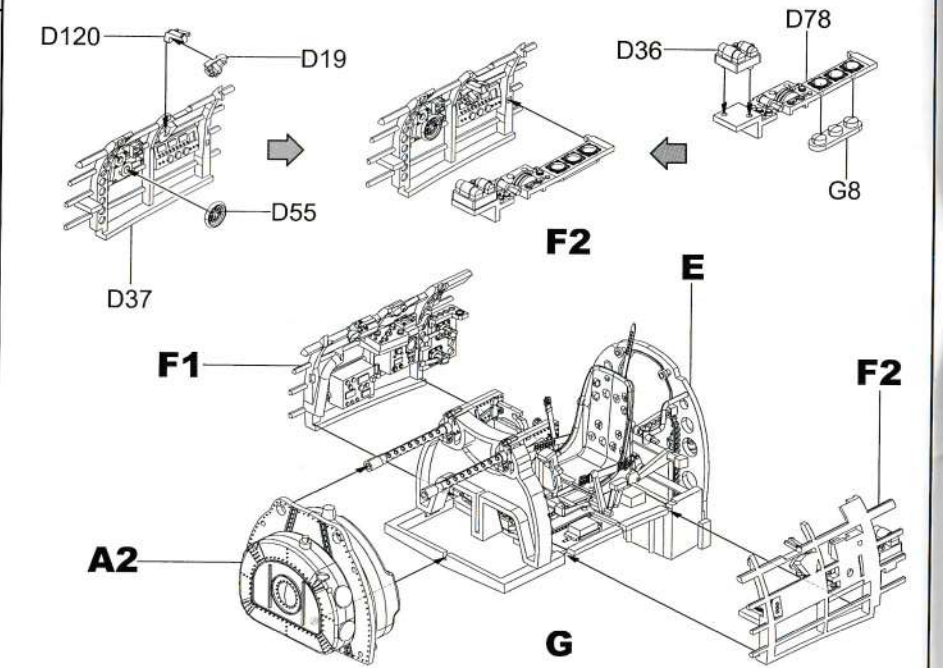
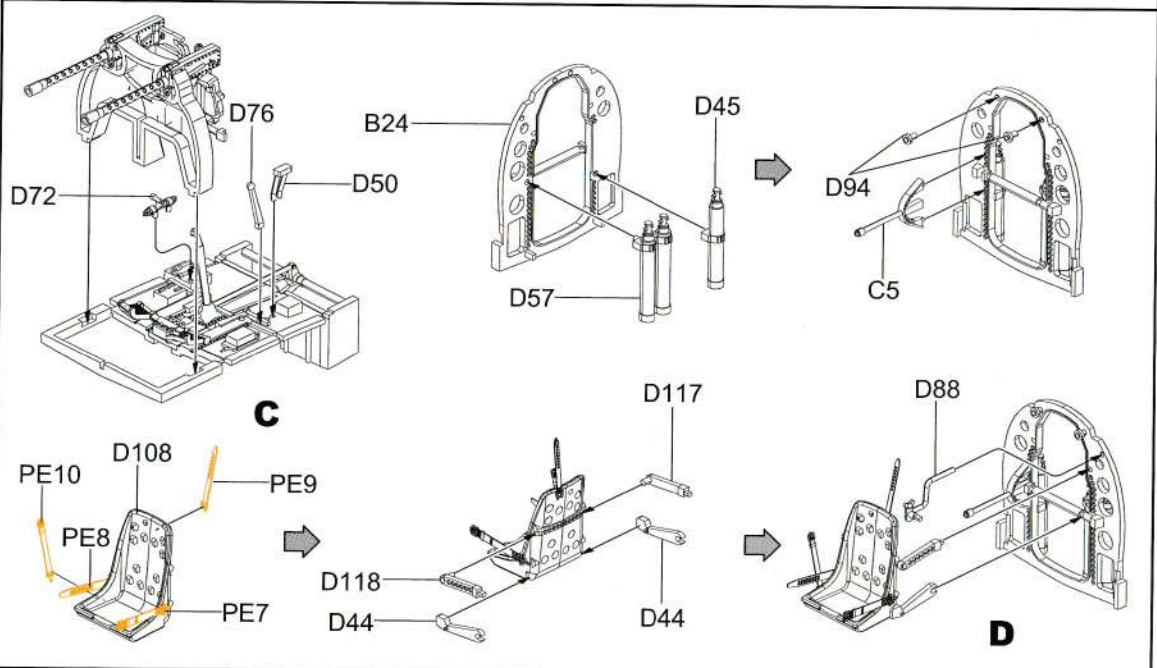
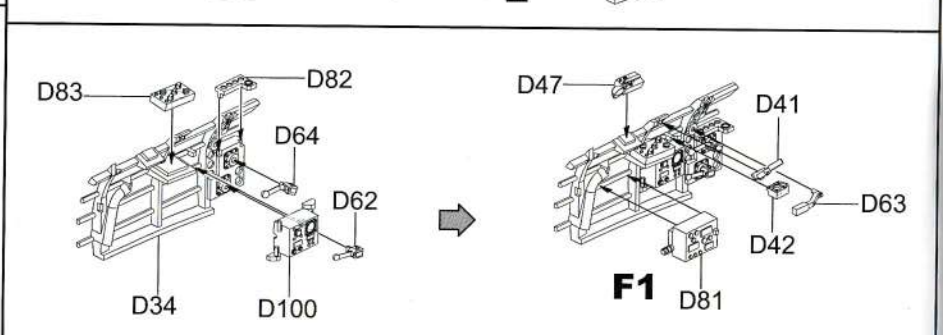
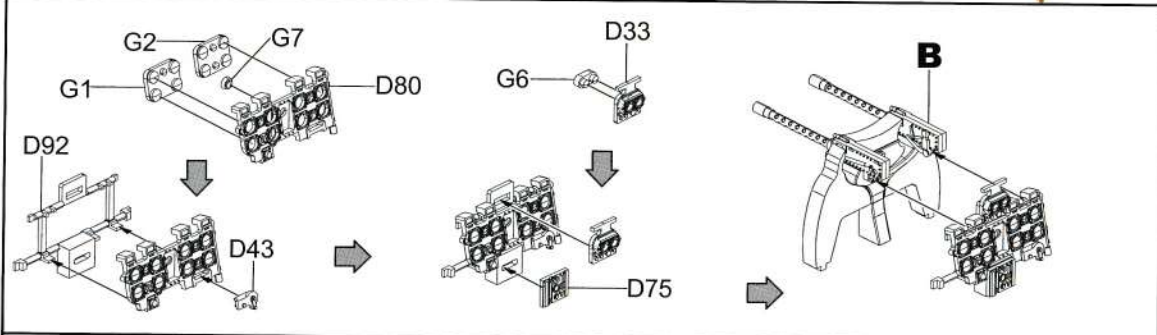
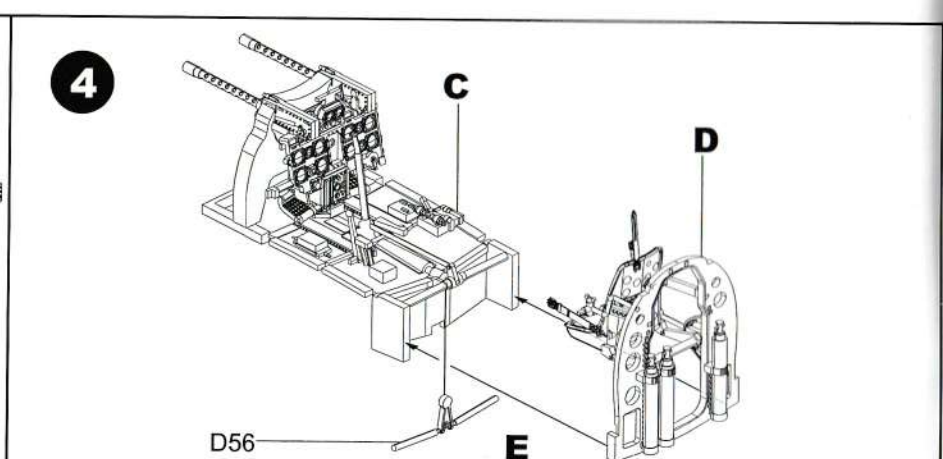
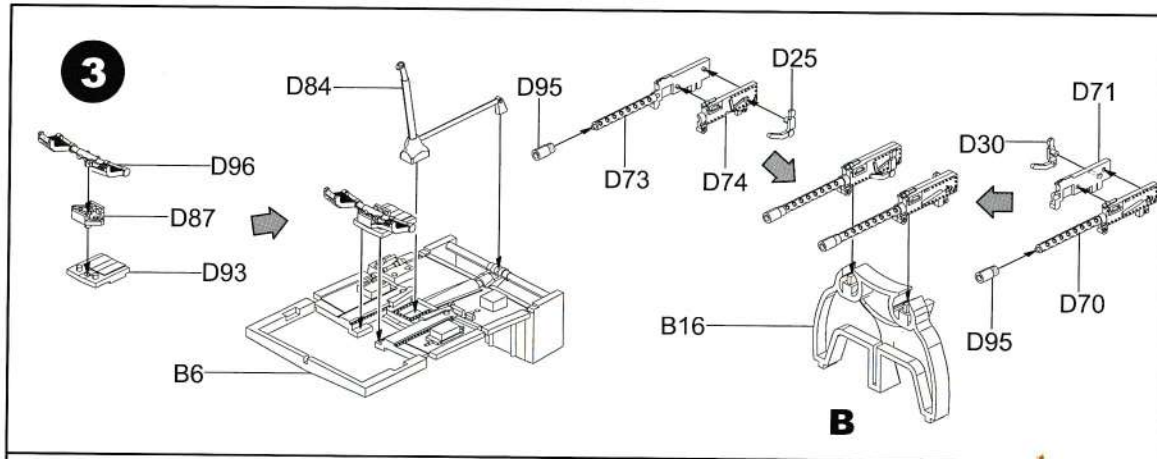


**1**

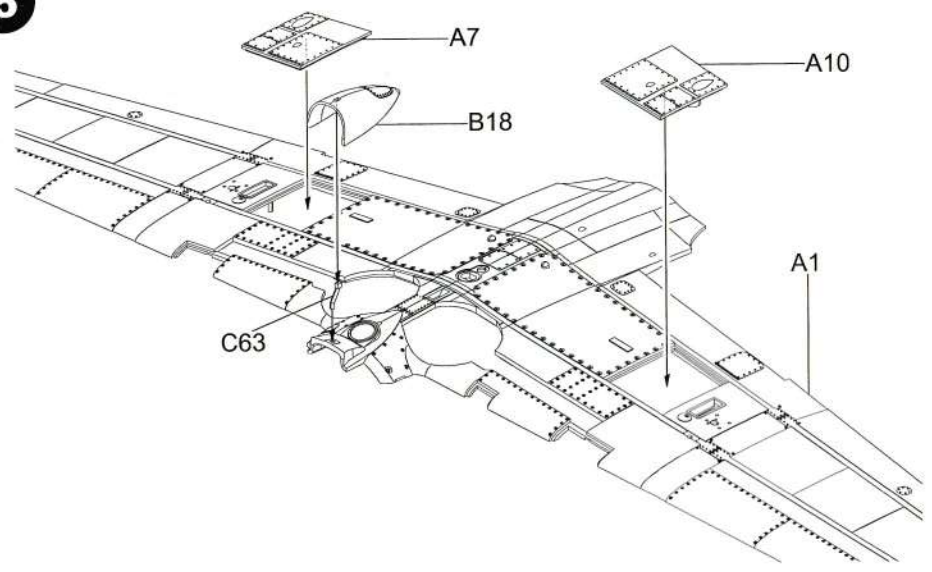


**2**

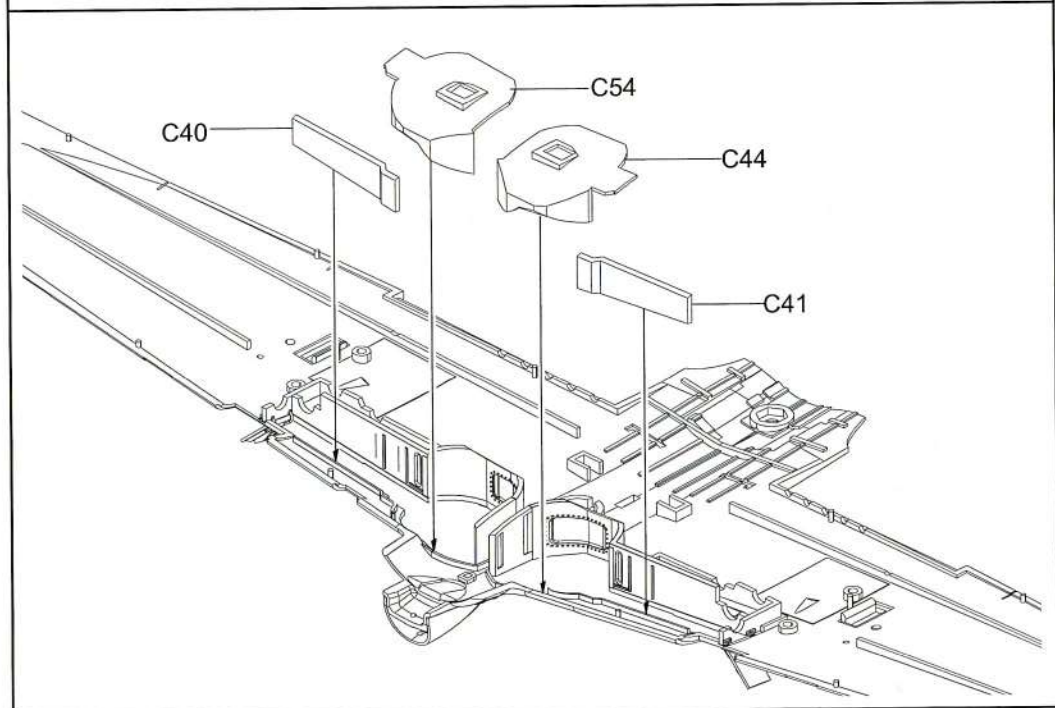
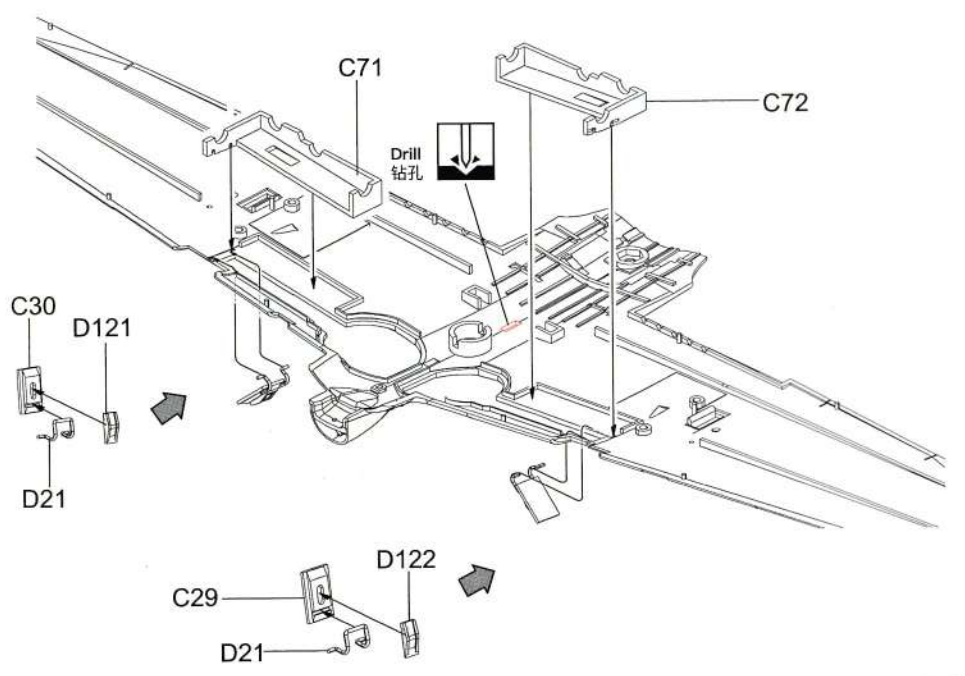
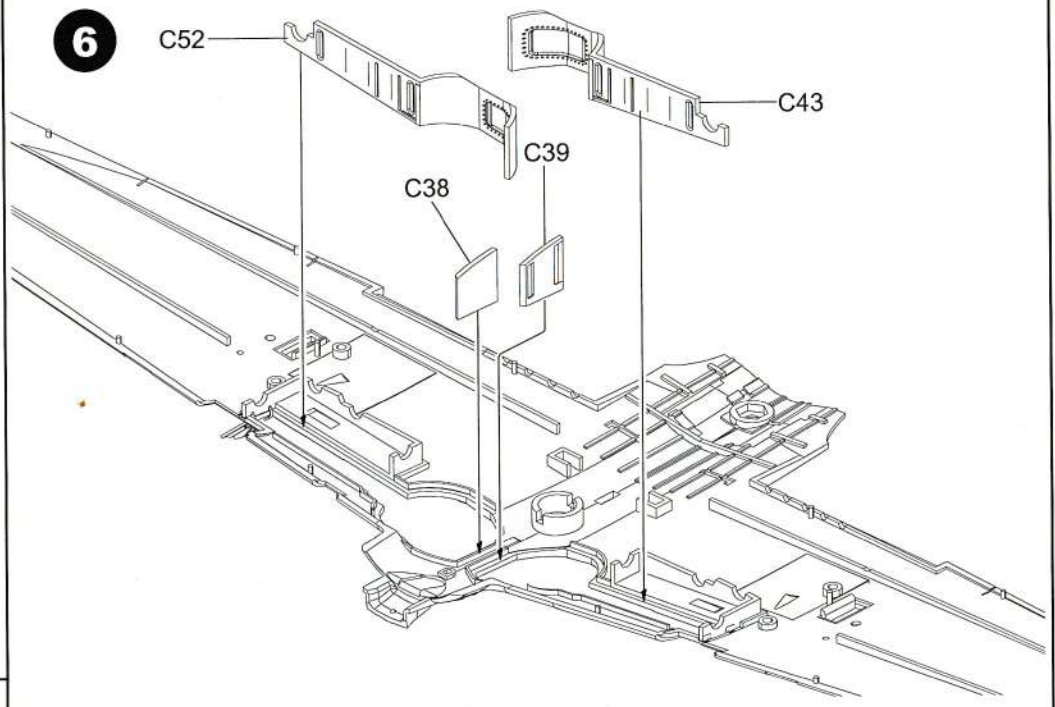




5

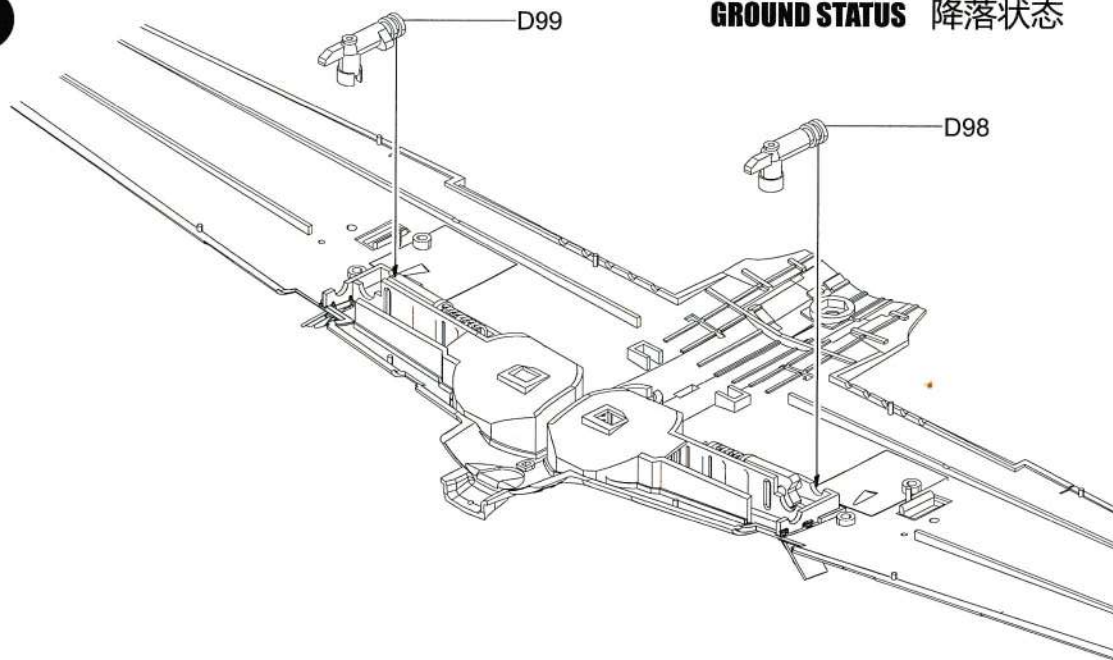


6

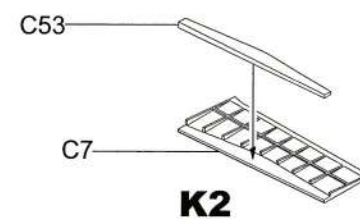
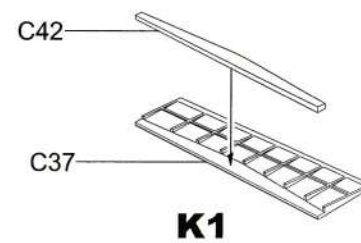
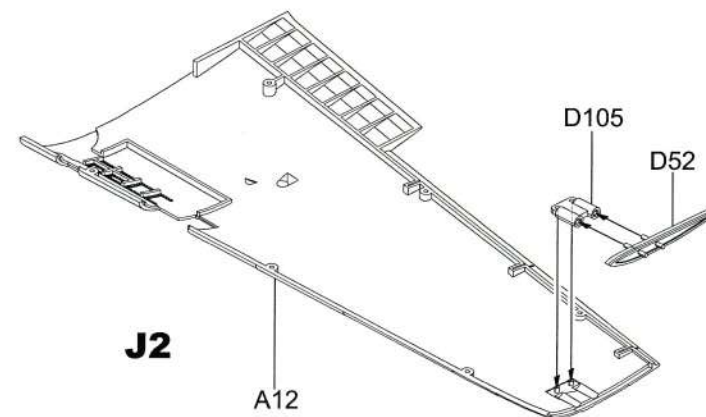
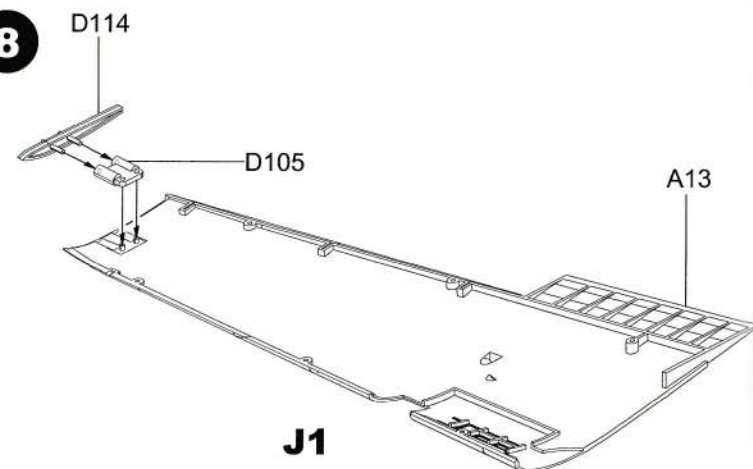


7

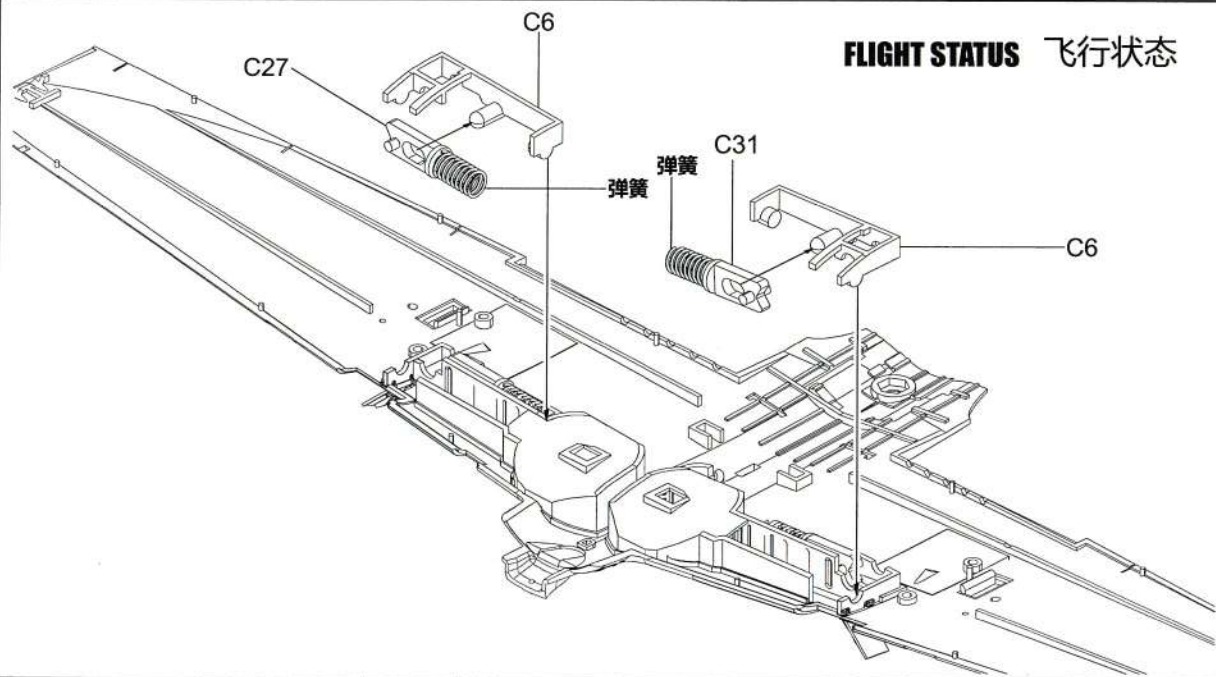
GROUND STATUS 降落状态



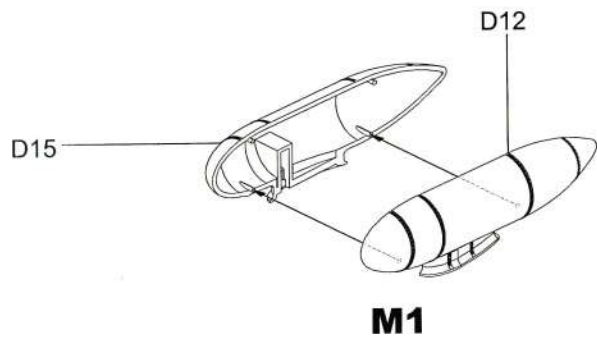
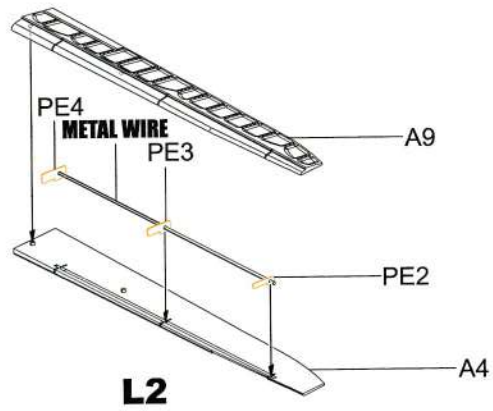
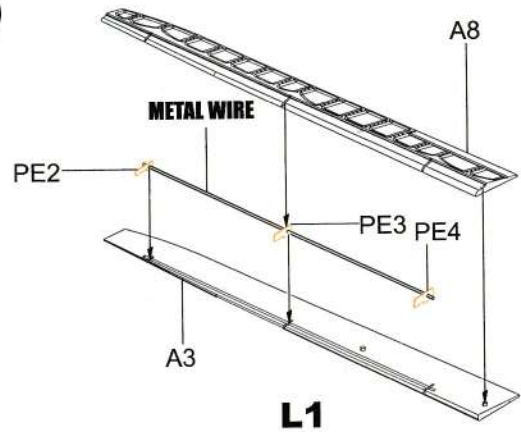
8



FLIGHT STATUS 飞行状态



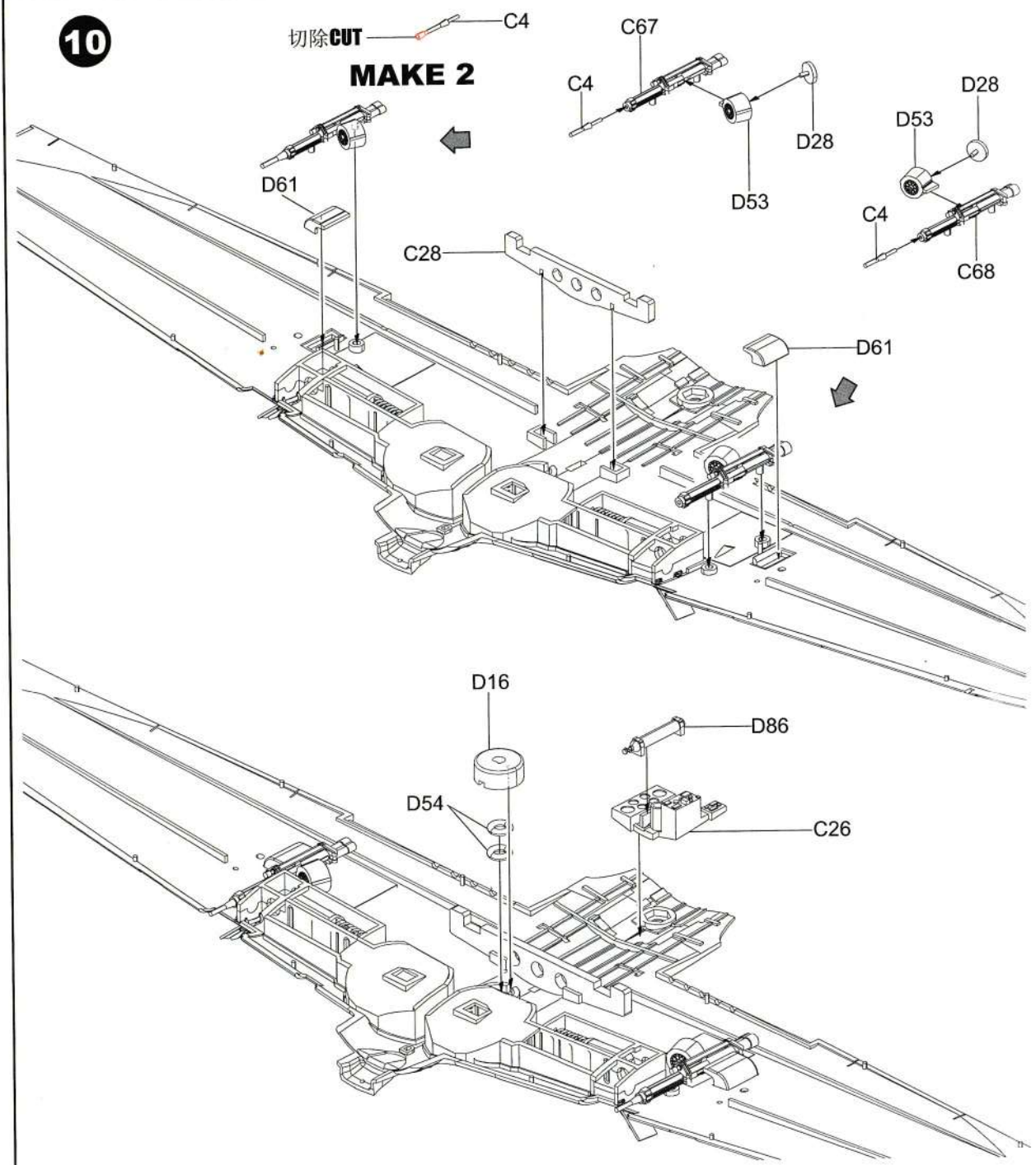
9



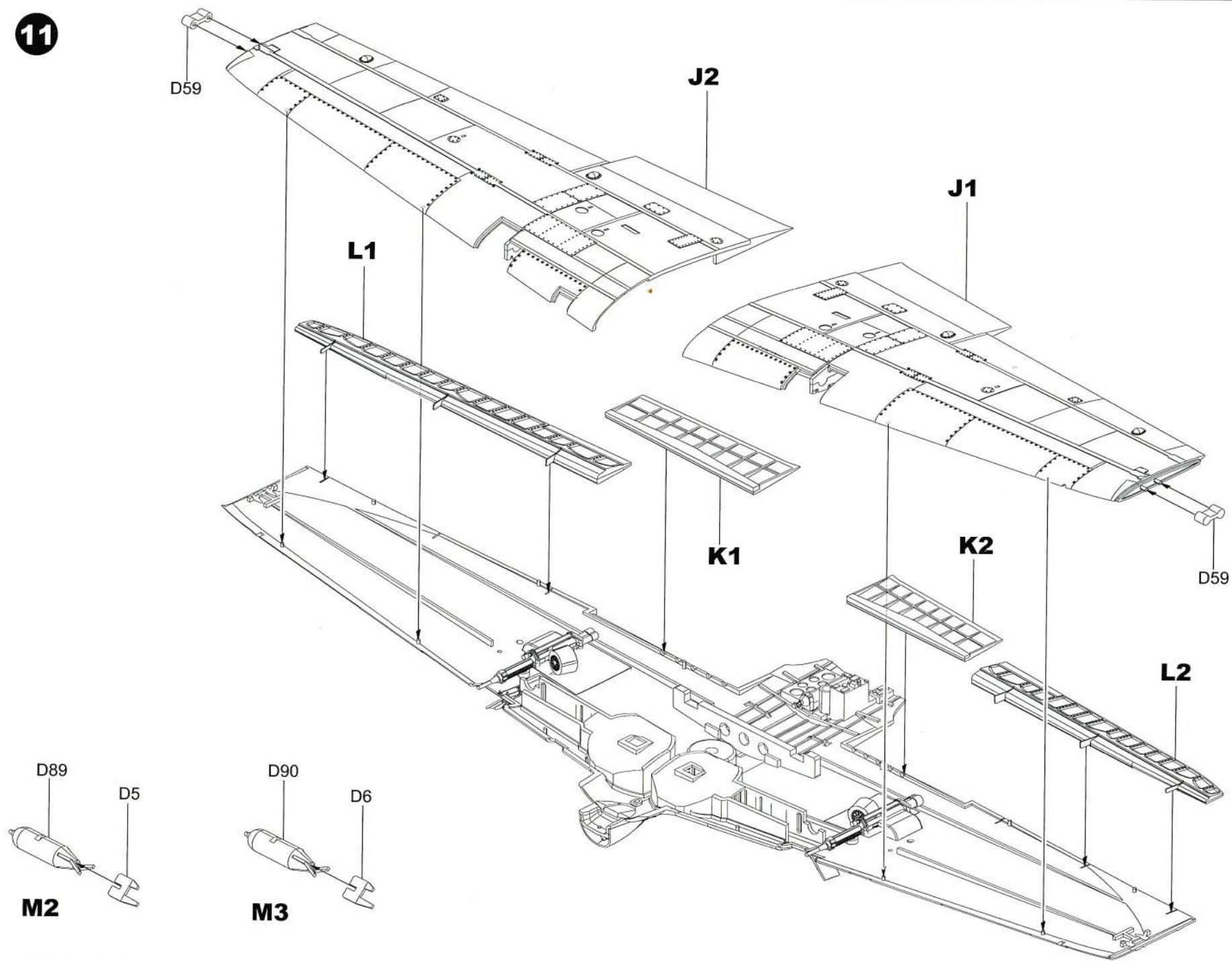
10

切除 CUT C4

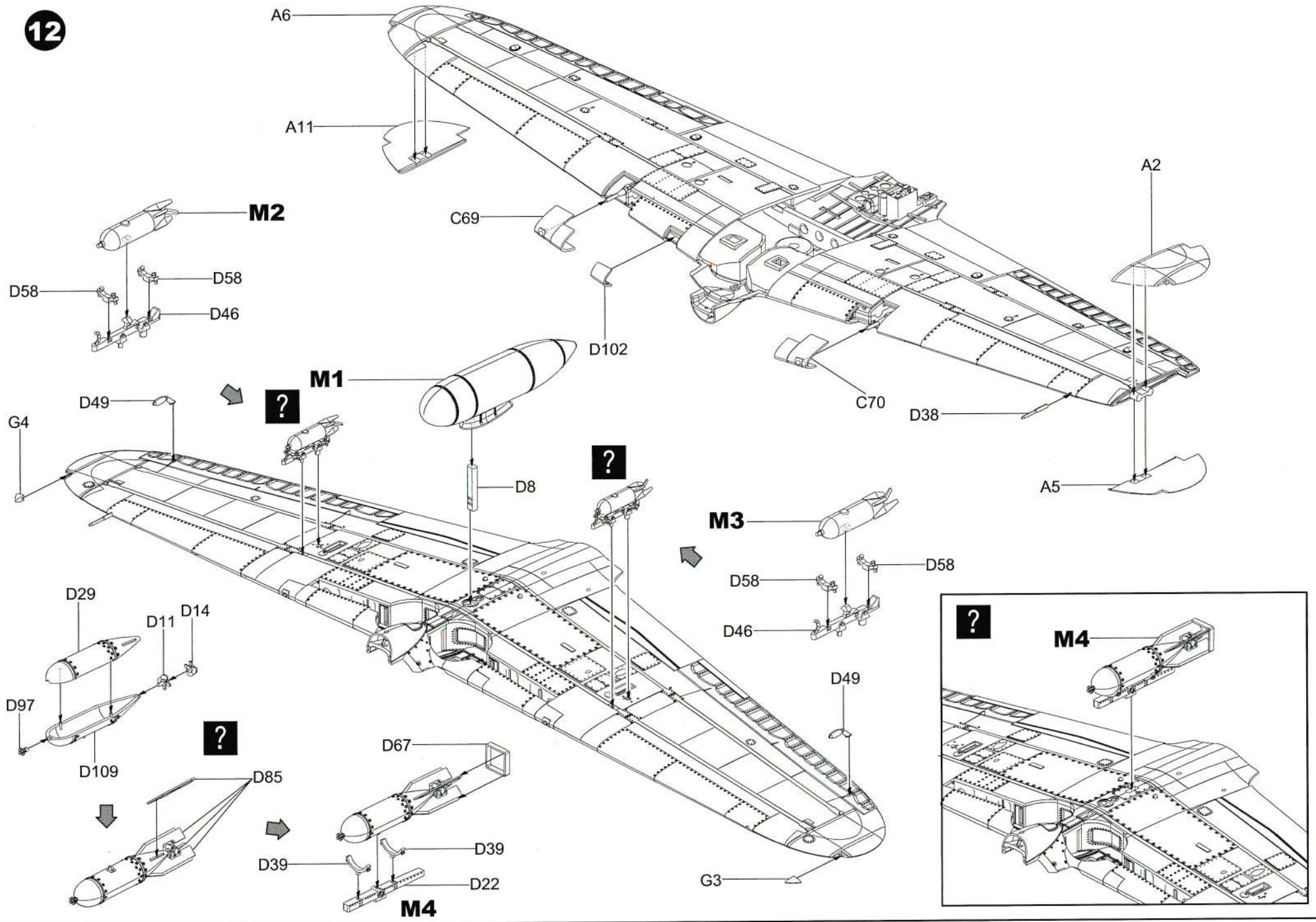
MAKE 2



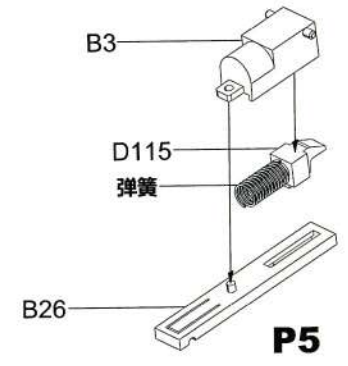
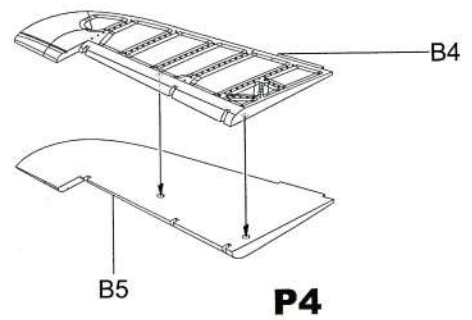
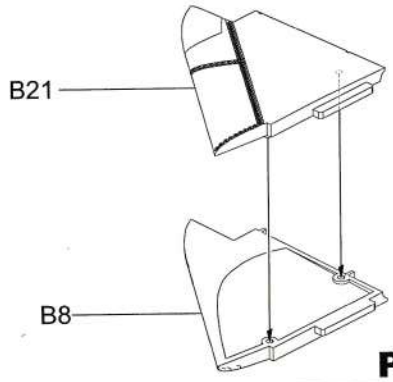
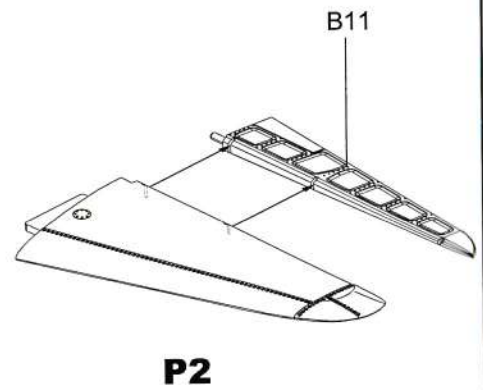
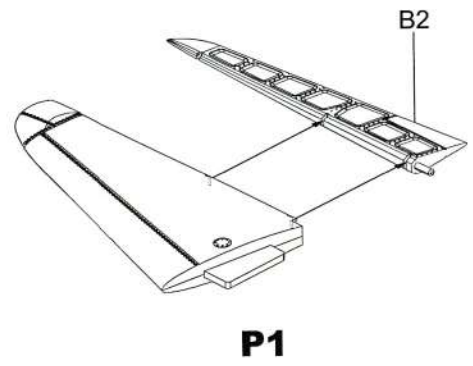
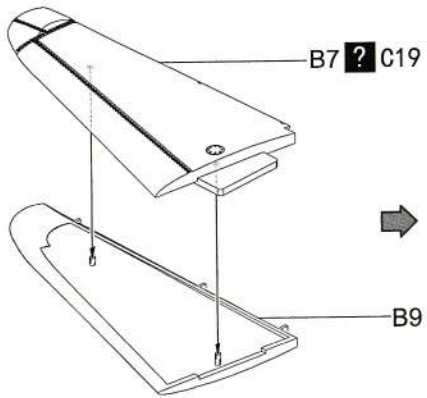
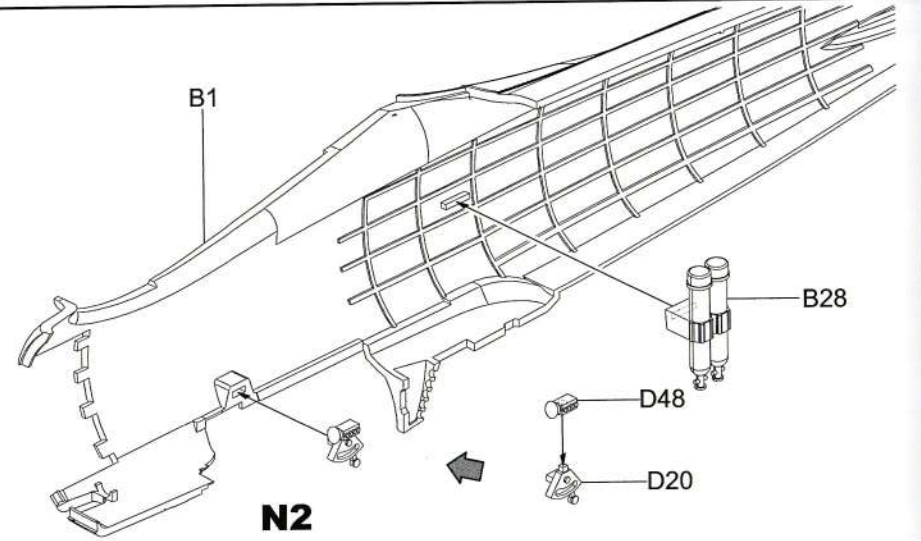
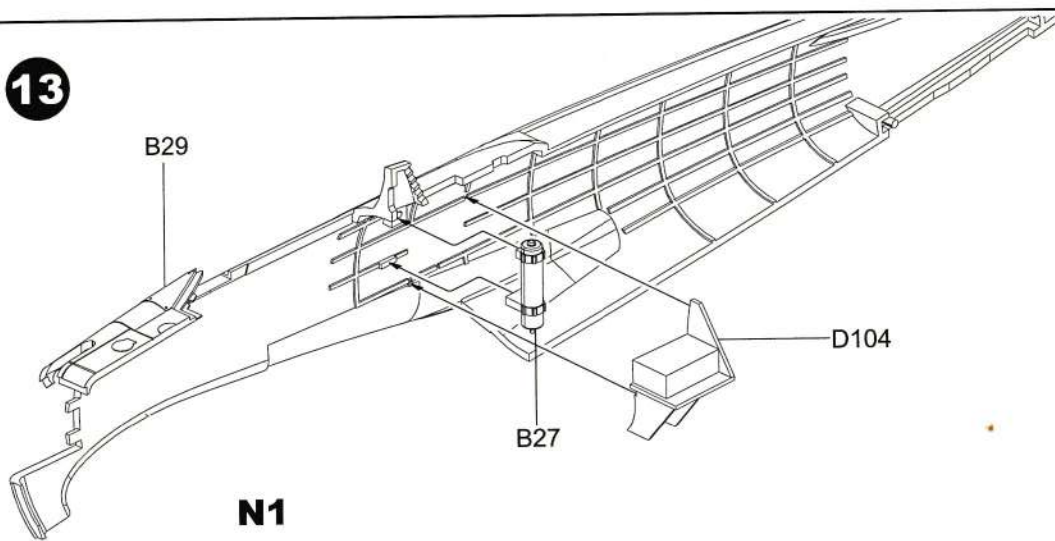
**11**



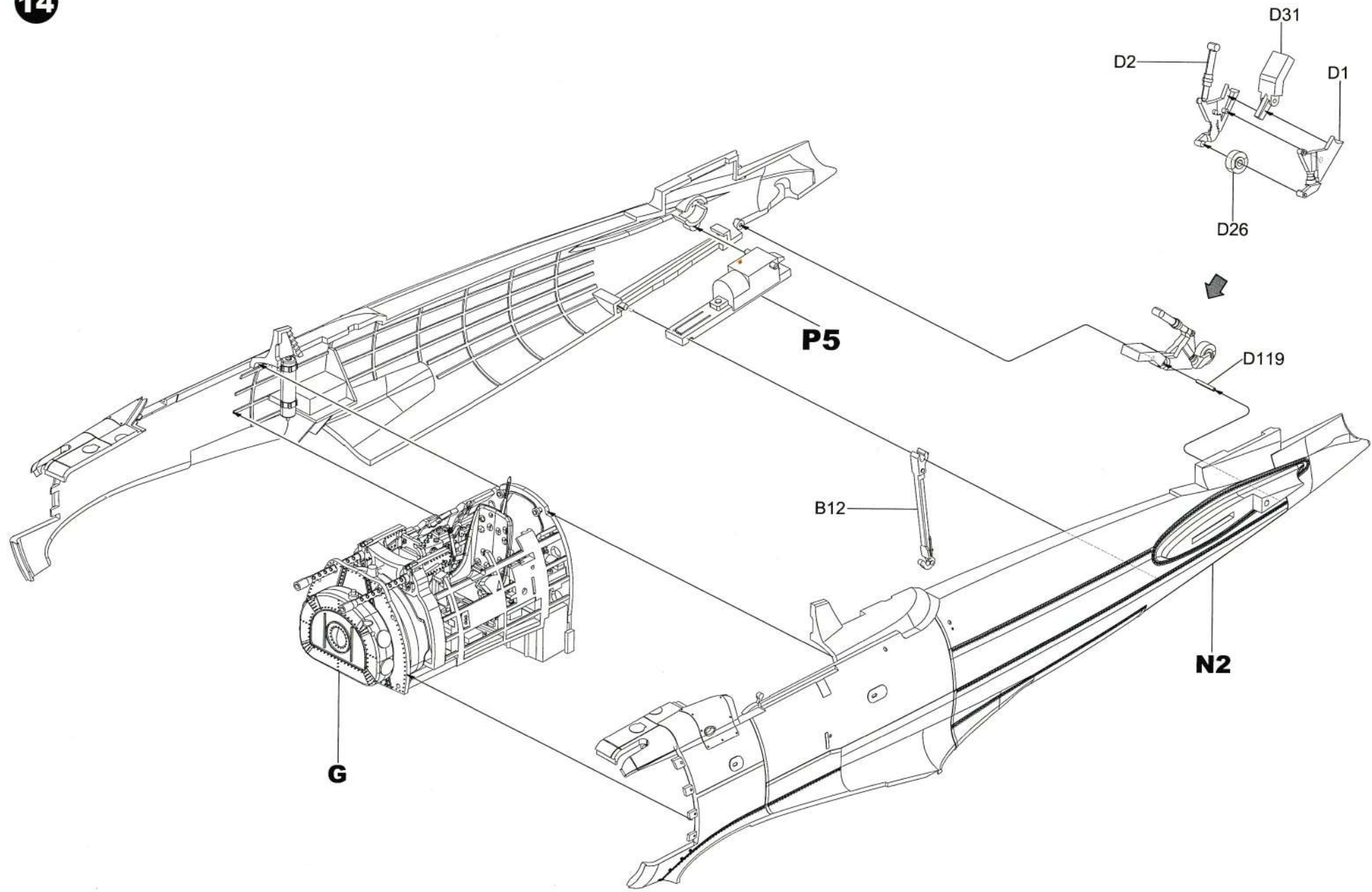
12



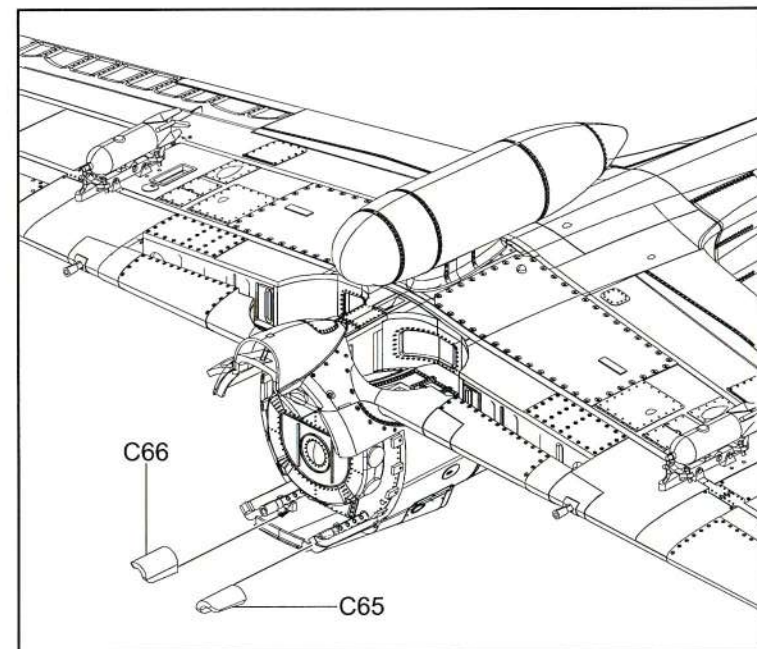
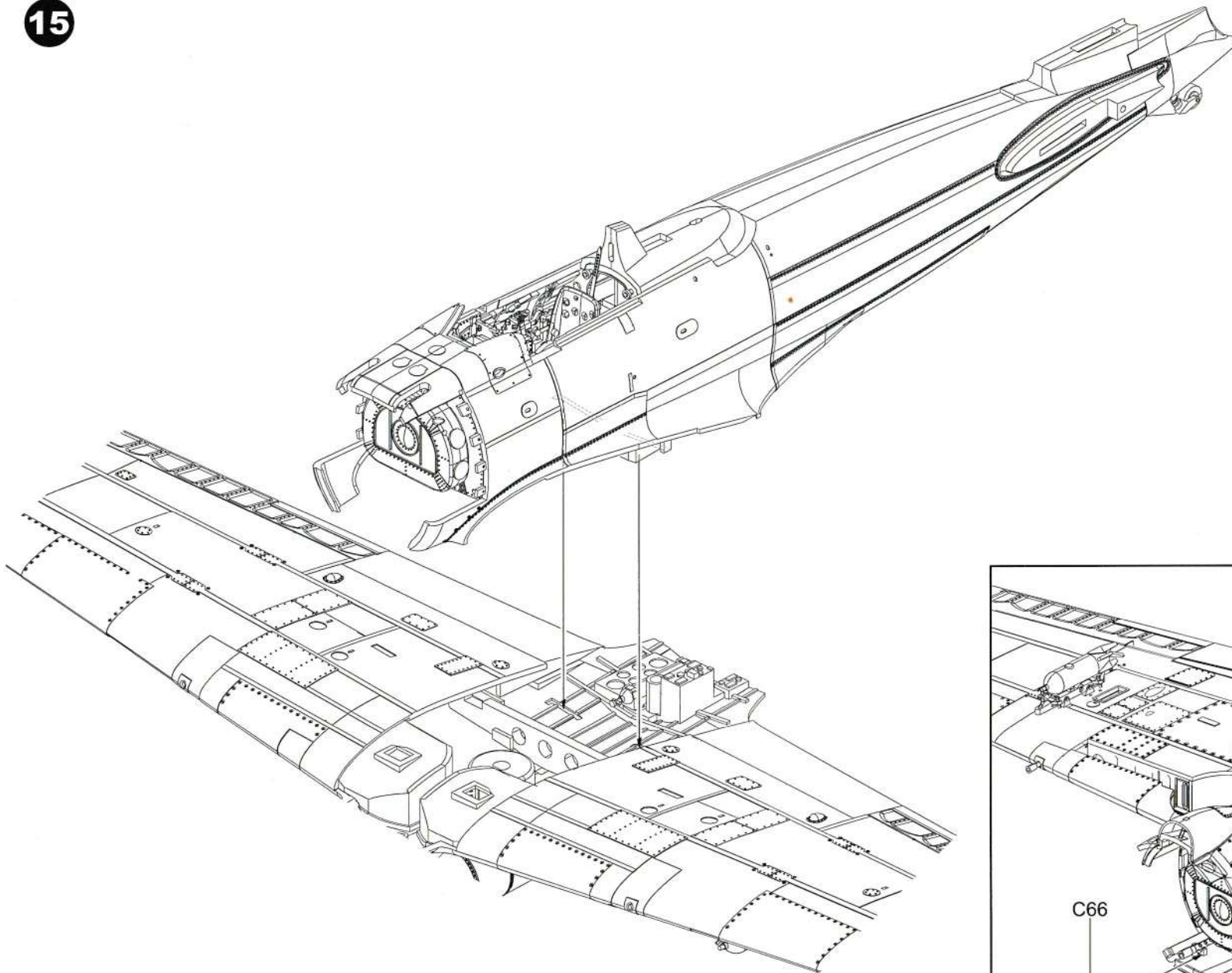
13



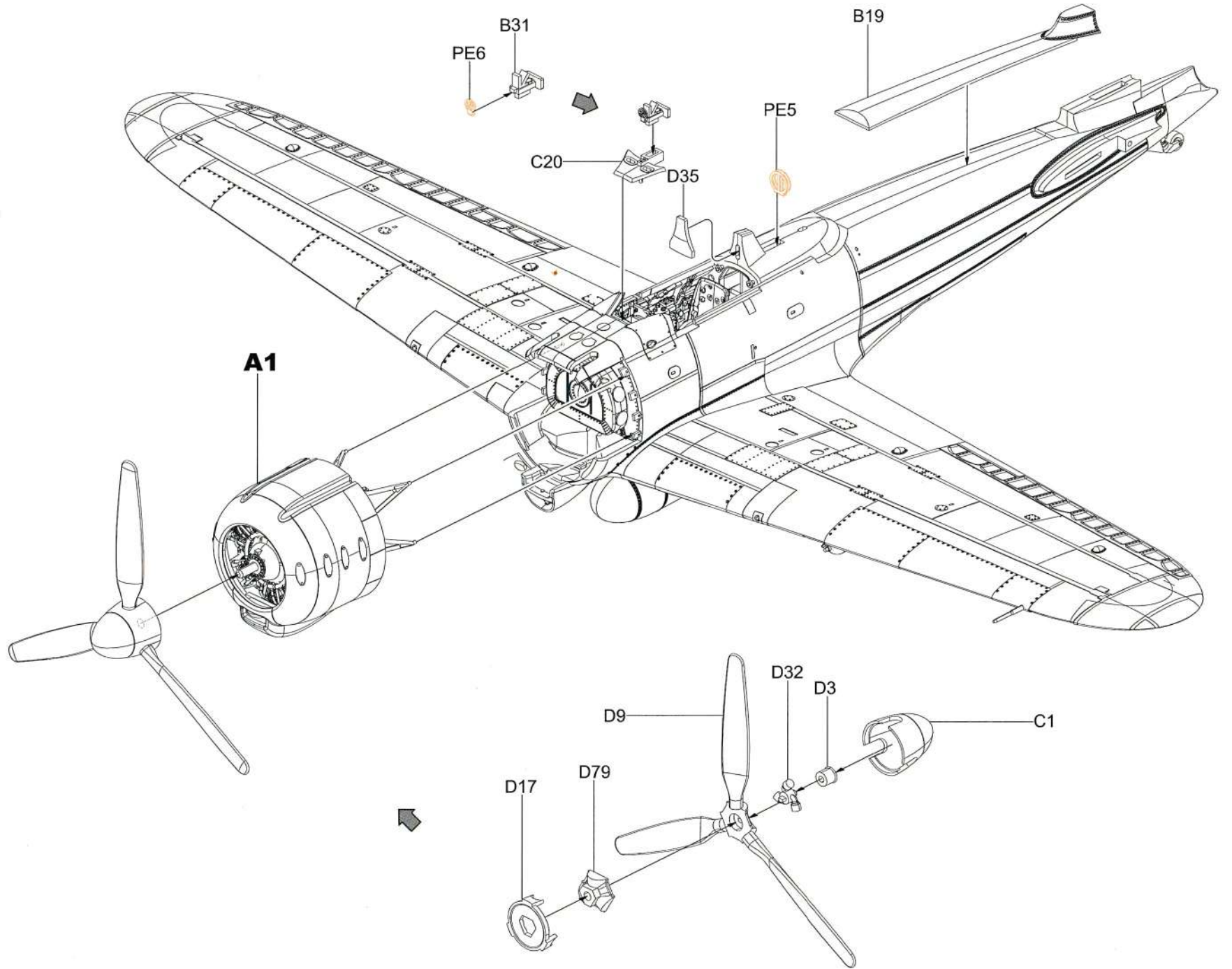
14



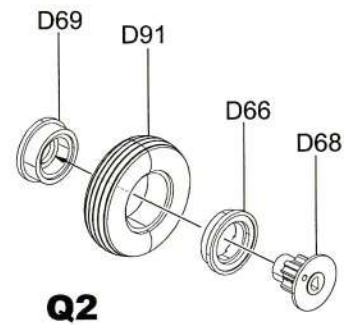
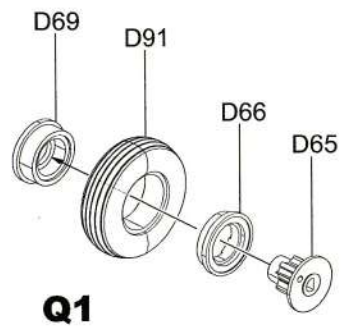
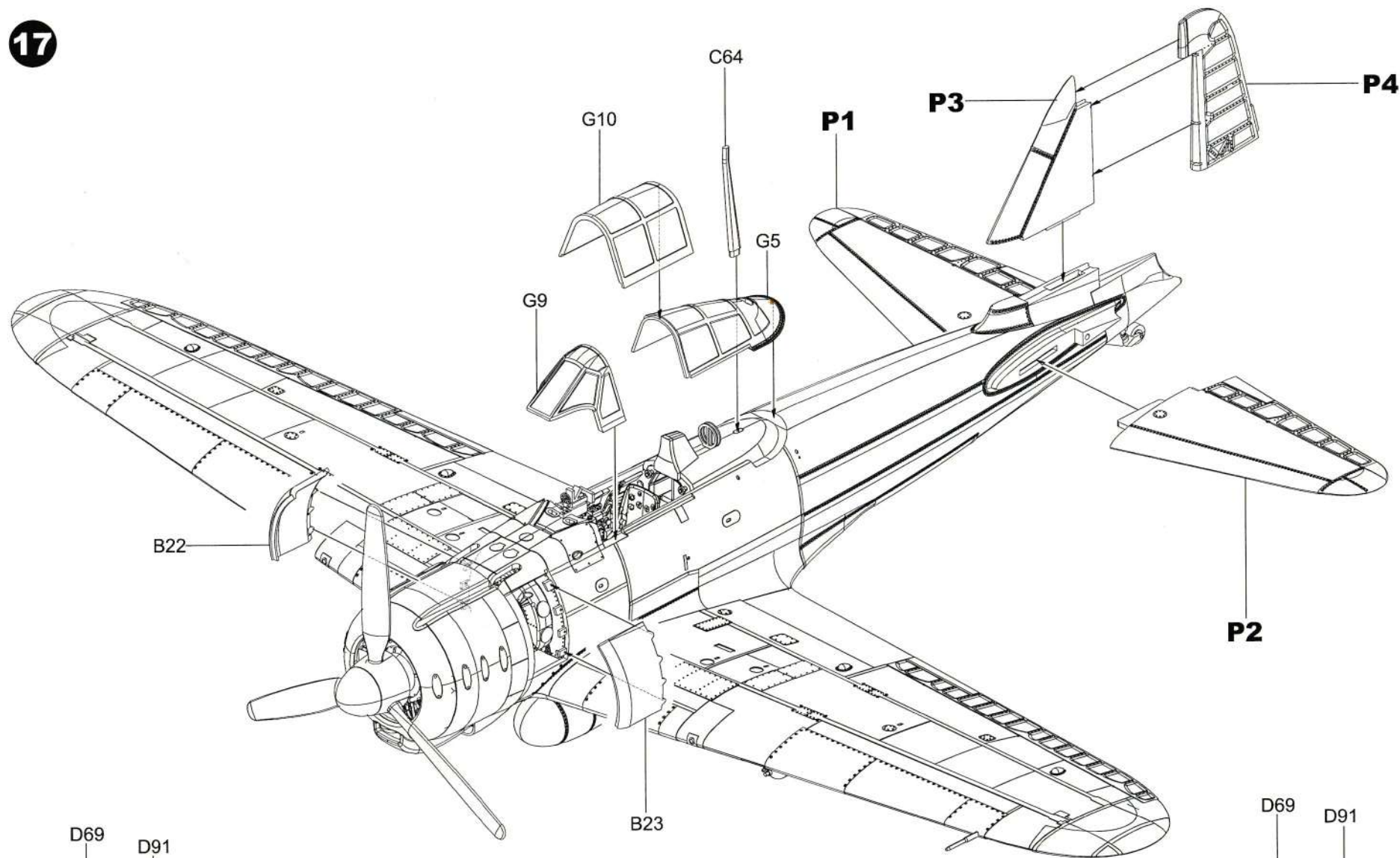
15



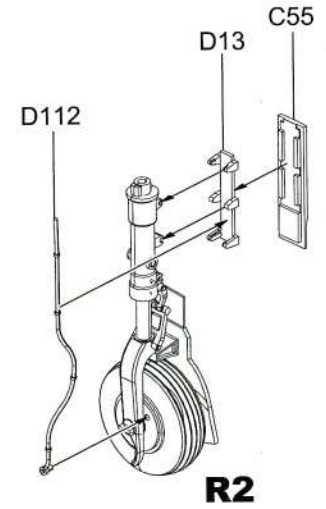
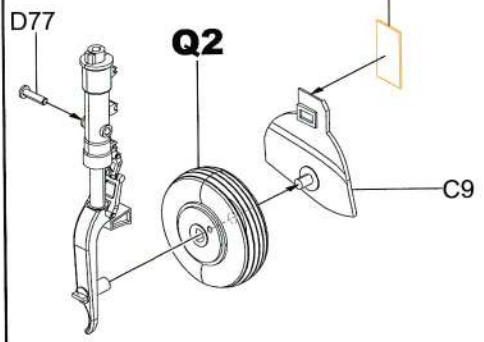
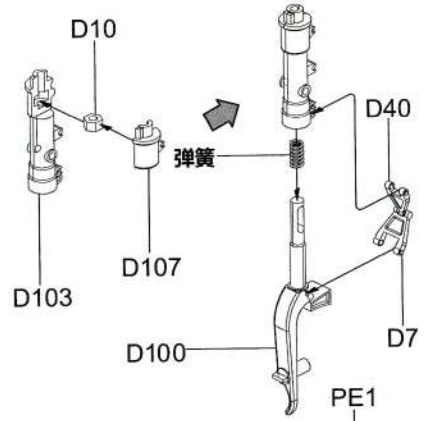
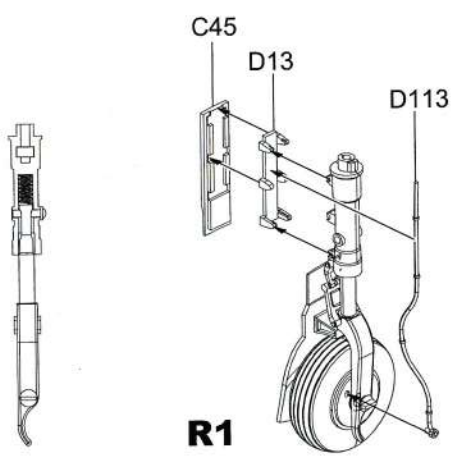
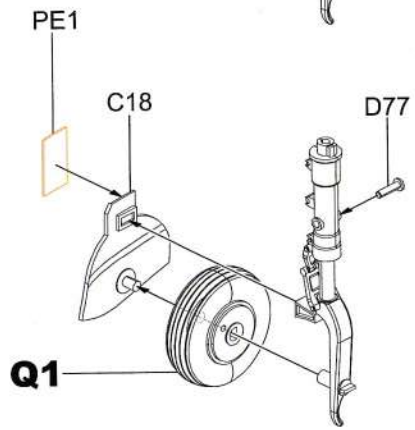
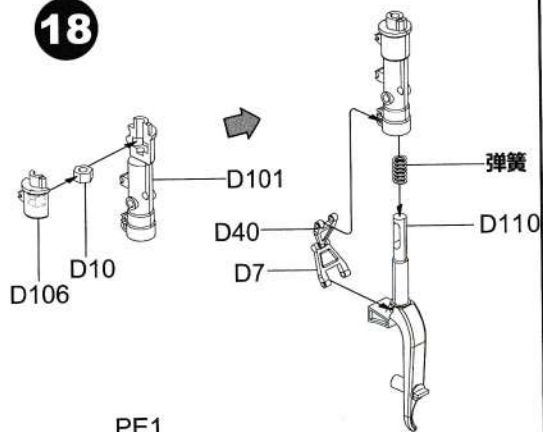
16



17

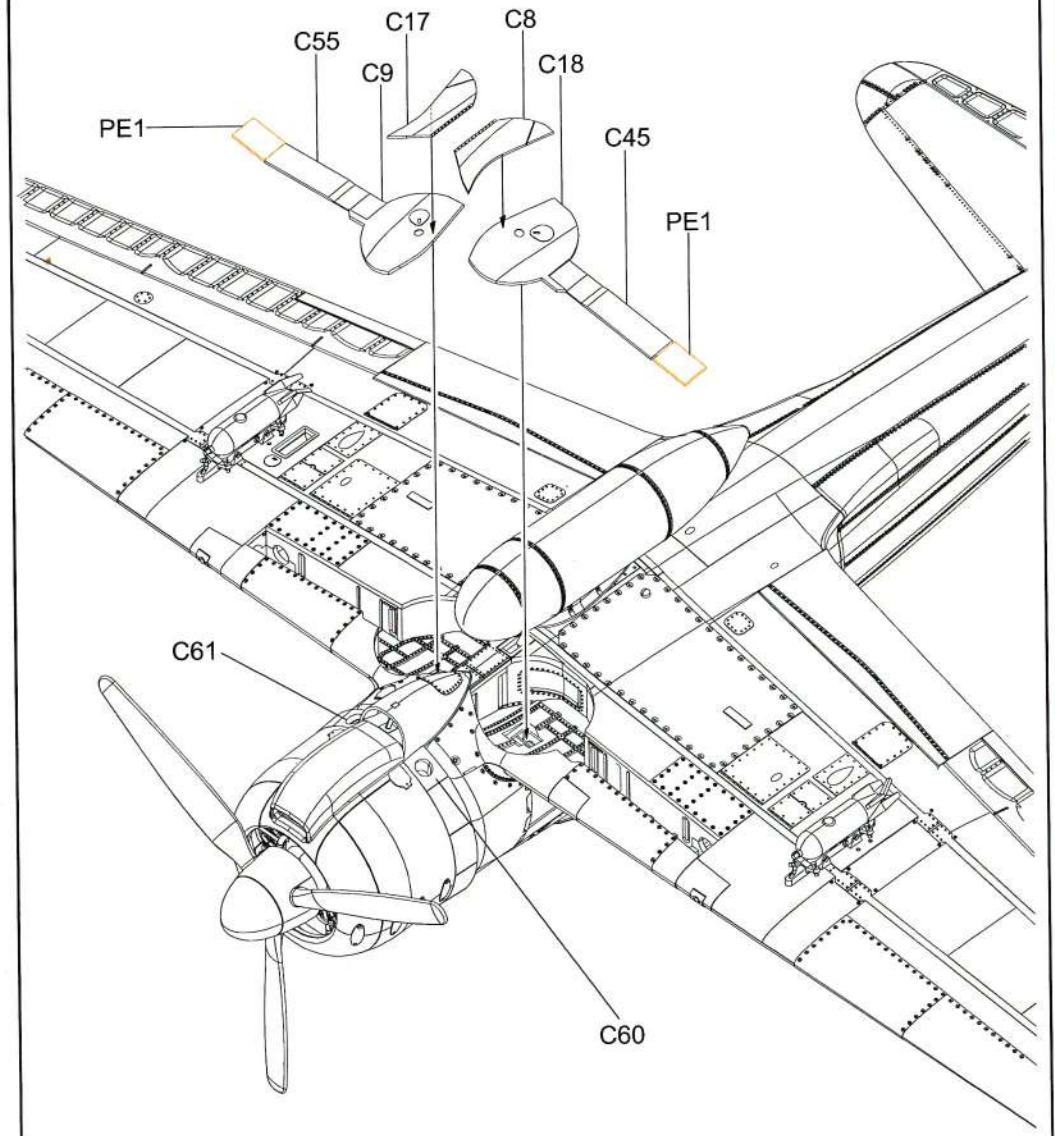


18



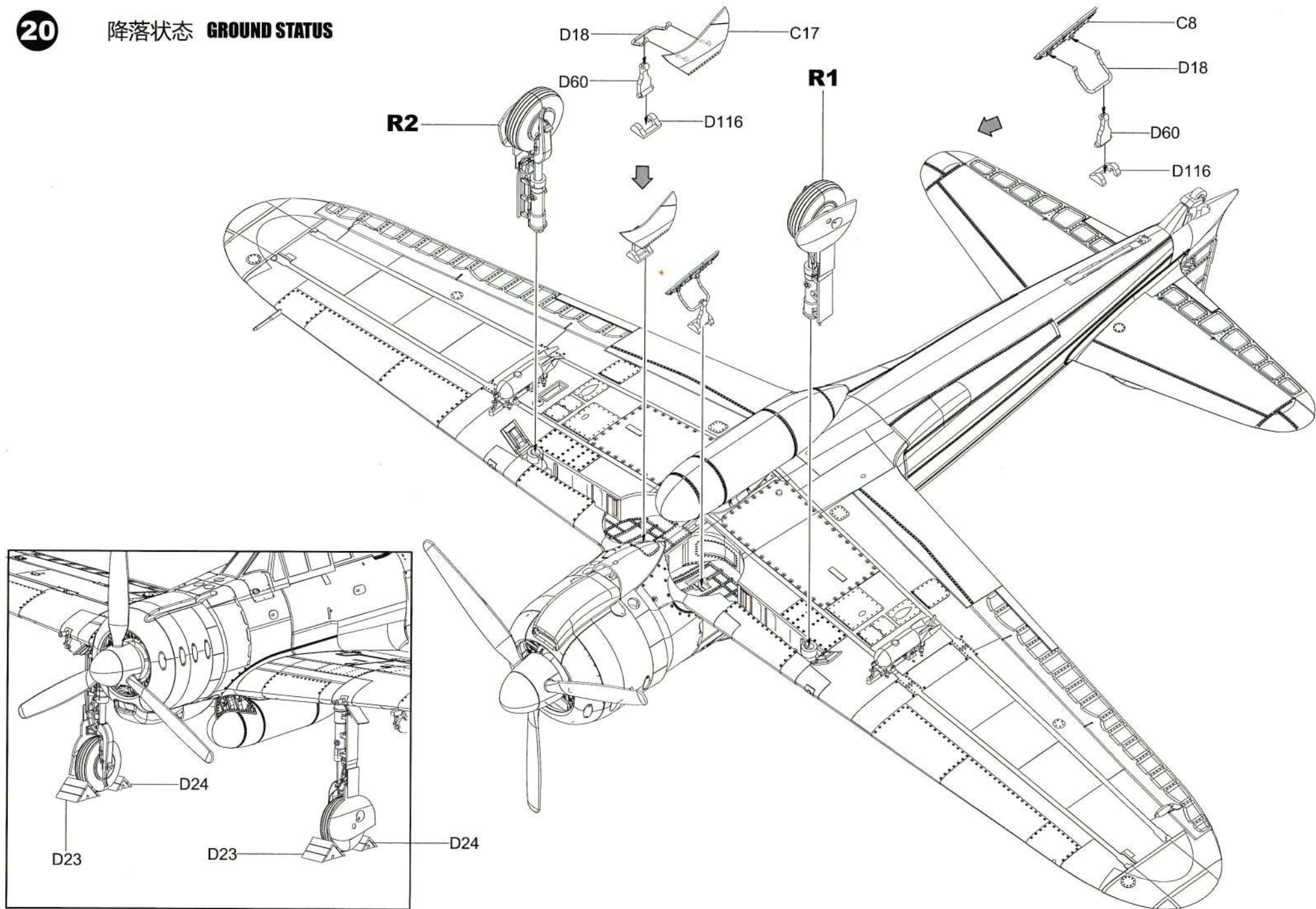
19

FLIGHT STATUS 飞行状态



20




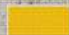


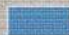
降落状态 GROUND STATUS



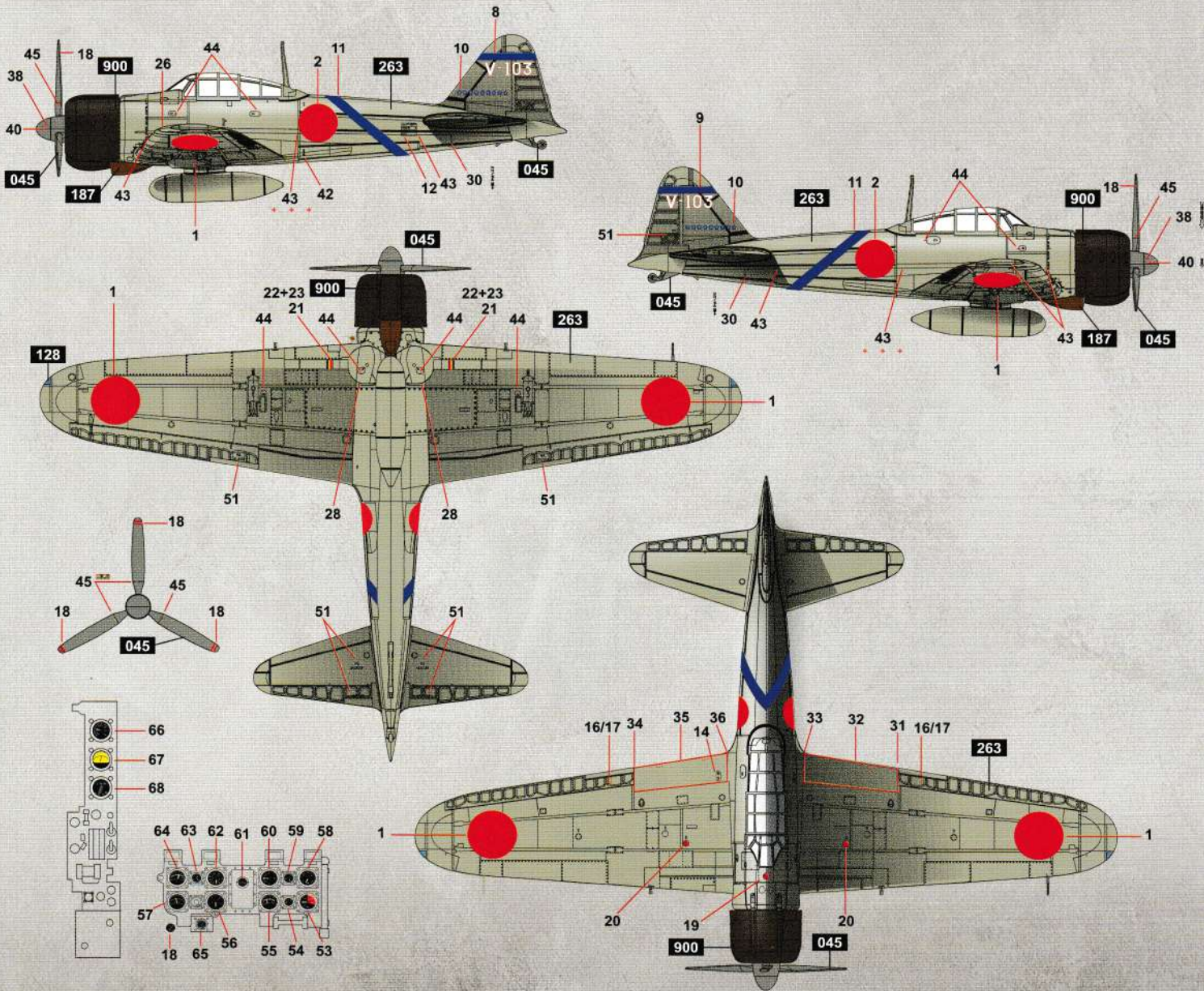
# Mitsubishi A6M2b Zero

## PAINTING AND MARKING GUIDE

BORDER MODEL REF: XXXX

 <b>A.MIG-0187</b> JET EXHAUST BURNT IRON	 <b>A.MIG-0045</b> Gun Metal	 <b>A.MIG-0049</b> RED	 <b>A.MIG-0125</b> RLM 04 GELB Gold Yellow
 <b>A.MIG-0900</b> DUNKELGELB SHADOW	 <b>A.MIG-0263</b> IJN MEDIUM GREY	 <b>A.MIG-0128</b> CYAN	

IMPERIAL JAPANESE NAVY. Pilot Sgt. Saburo Sakai Tainan Kokutai. Bali, Feb. 1942










### WEATHERING STEPS WITH AMMO PRODUCTS

<b>1 COCKPIT</b> A.MIG-0218 RLM 66 Schwartzgrau	<b>3 PLW RLM76</b> A.MIG-1613 Panel Line Wash Blue Grey	<b>5 PLW RLM75</b> A.MIG-1611 Panel Line Wash Black Night	<b>7 SHADERS RLM74</b> A.MIG-0866 Dark Green Shader	<b>9 PIGMENTS</b> A.MIG-3011 Airfield Dust
<b>2 INTERIOR WASH</b> A.MIG-1008 Dark Wash	<b>4 PLW RLM74</b> A.MIG-1612 Panel Line Wash Green Brown	<b>6 SHADERS RLM76</b> A.MIG-0861 Marine Blue Shader	<b>8 SHADERS RLM75</b> A.MIG-0857 Navy Grey Shader	<b>10 FUEL STAINS</b> A.MIG-1253 Streaking/brusher Grime

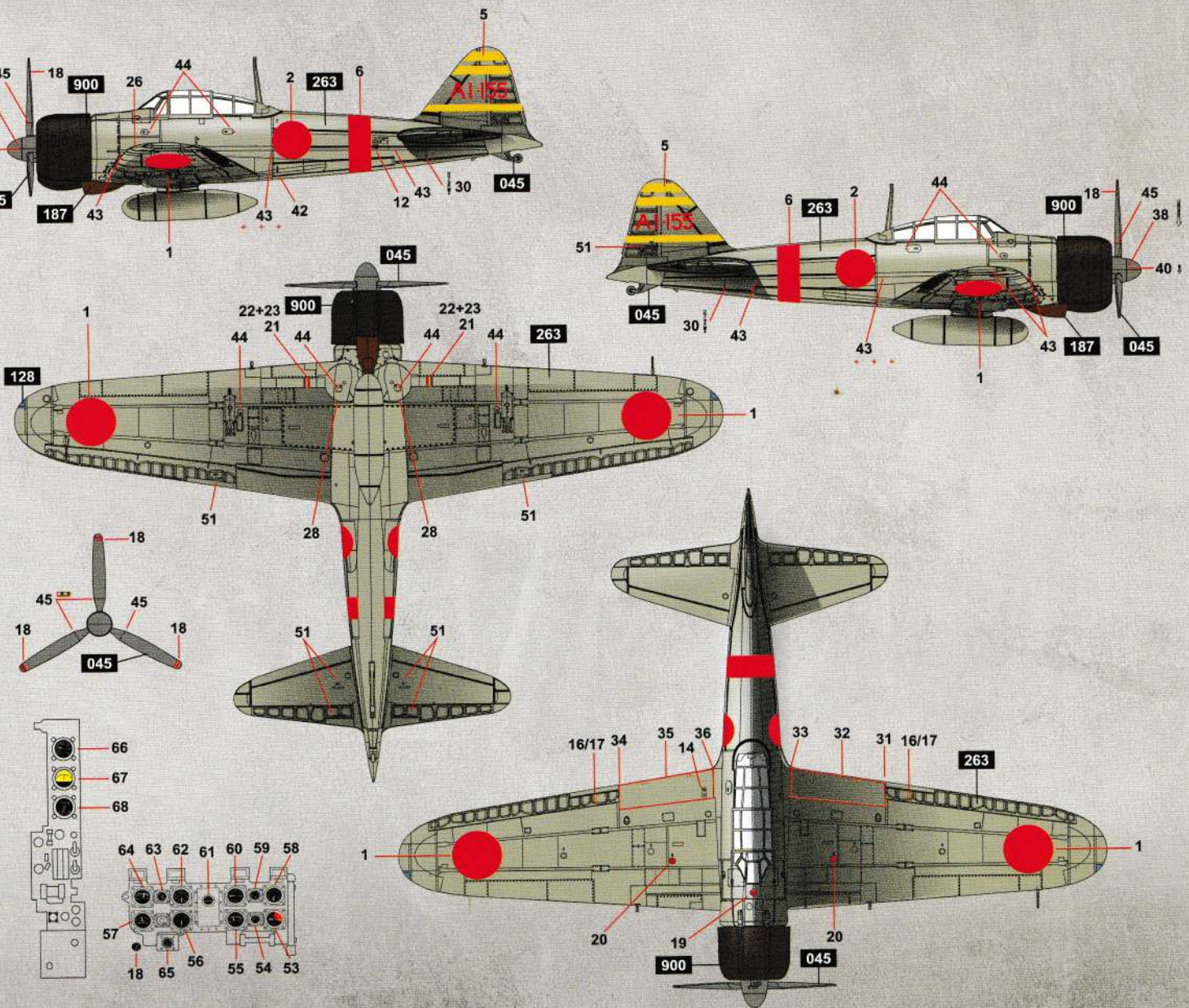
# Mitsubishi A6M2b Zero

## PAINTING AND MARKING GUIDE

BORDER MODEL REF: XXXX

- |  |   |  |   |
|--|---|--|---|
|  <b>A.MIG-0187</b> JET EXHAUST BURNT IRON |  <b>A.MIG-0045</b> Gun Metal       |  <b>A.MIG-0049</b> RED    |  <b>A.MIG-0125</b> RLM 04 GELB Gold Yellow |
|  <b>A.MIG-0900</b> DUNKELGELB SHADOW      |  <b>A.MIG-0263</b> IJN MEDIUM GREY |  <b>A.MIG-0128</b> CYAN |   |

Akagi lead aircraft, 2nd Div. fighters unit. Pilot Lt Comdr Shigeru Itaya, Pearl Hargor 7 Dec. 1941



### WEATHERING STEPS WITH AMMO PRODUCTS

- |   |  |  |  |   |
|---|--|--|--|---|
| <b>1 COCKPIT</b><br>A.MIG-0218 RLM 66 Schwarzgrau | <b>3 PLW RLM76</b><br>A.MIG-1613 Panel Line Wash Blue Grey   | <b>5 PLW RLM75</b><br>A.MIG-1611 Panel Line Wash Black Night | <b>7 SHADERS RLM74</b><br>A.MIG-0866 Dark Green Shader | <b>9 PIGMENTS</b><br>A.MIG-3011 Airfield Dust             |
| <b>2 INTERIOR WASH</b><br>A.MIG-1008 Dark Wash    | <b>4 PLW RLM74</b><br>A.MIG-1612 Panel Line Wash Green Brown | <b>6 SHADERS RLM76</b><br>A.MIG-0861 Marine Blue Shader      | <b>8 SHADERS RLM75</b><br>A.MIG-0857 Navy Grey Shader  | <b>10 FUEL STAINS</b><br>A.MIG-1253 Strokingbrusher Grime |

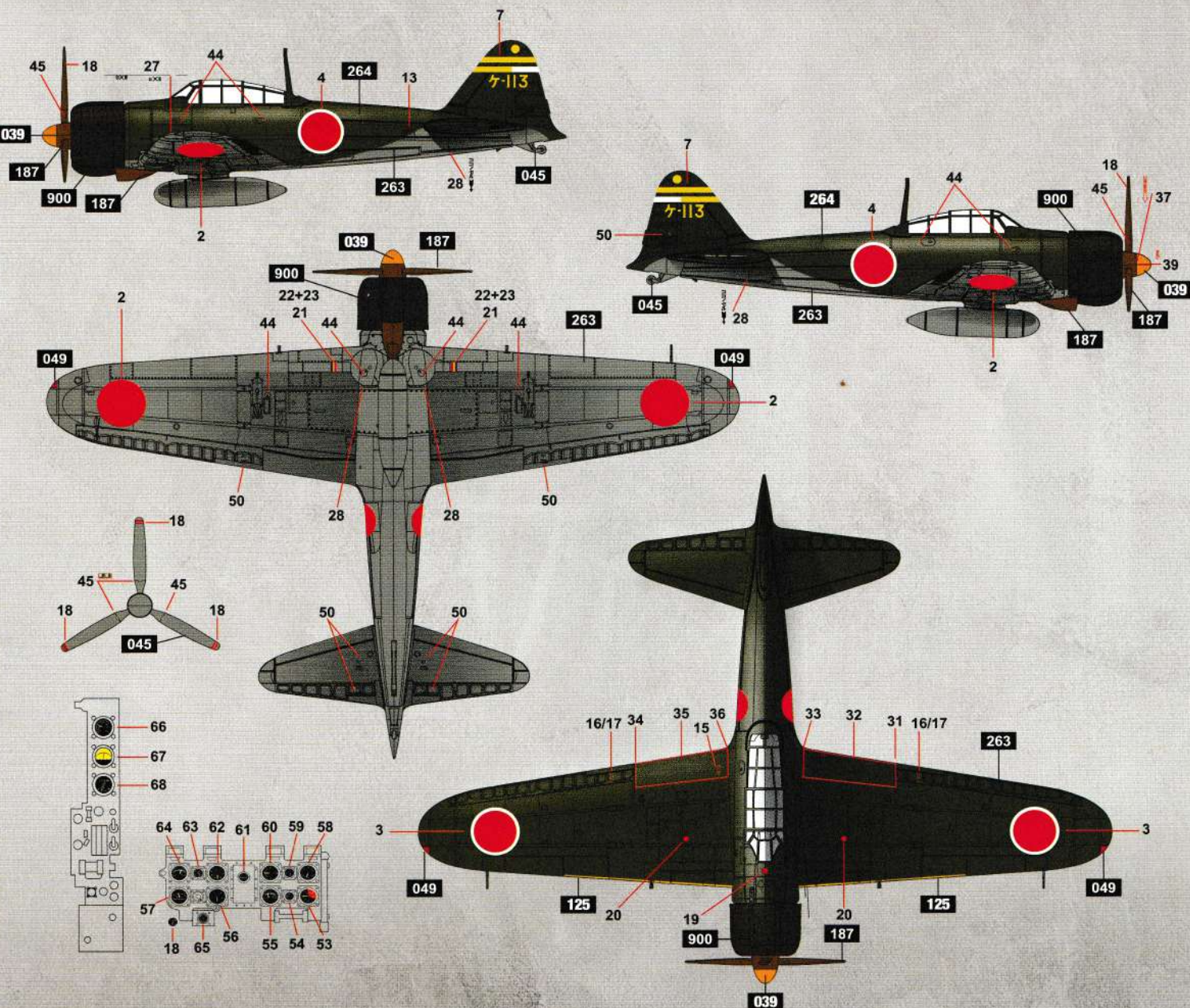
# Nakajima A6M2b Zero

## PAINTING AND MARKING GUIDE

BORDER MODEL REF: XXXX

<b>A.MIG-0187</b> JET EXHAUST BURNT IRON	<b>A.MIG-0045</b> Gun Metal	<b>A.MIG-0049</b> RED	<b>A.MIG-0125</b> RLM 04 GELB Gold Yellow
<b>A.MIG-0900</b> DUNKELGELB SHADOW	<b>A.MIG-0263</b> IJN MEDIUM GREY	<b>A.MIG-0264</b> NAKAJIMA DARK GREEN	<b>A.MIG-0039</b> LIGHT RUST

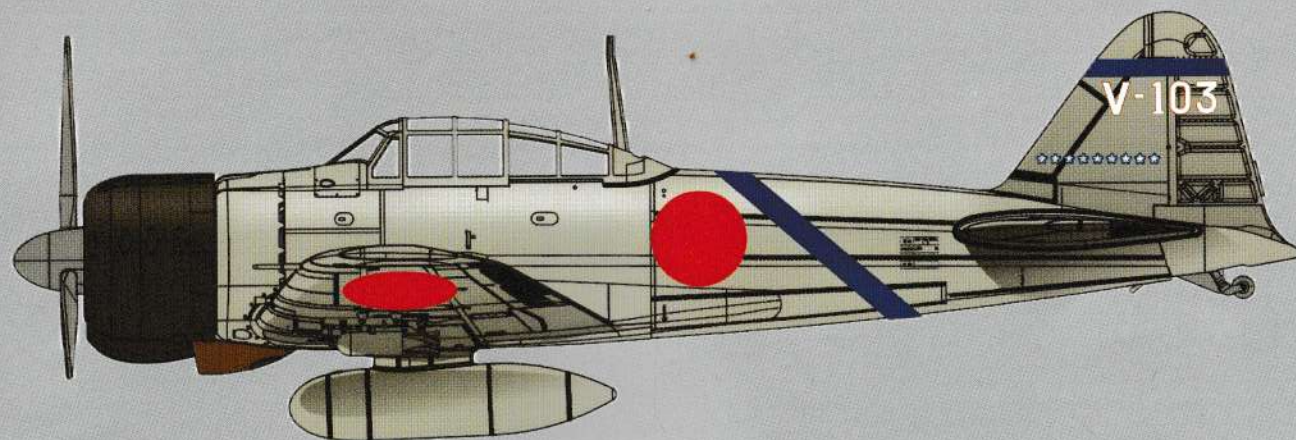
The special attack unit "KAMIKAZE" Daiichinanasei Group Flown by Nobuo Miyatake, April 1945



### WEATHERING STEPS WITH AMMO PRODUCTS

<b>1 COCKPIT</b> A.MIG-0218 RLM 66 Schwartzgrau	<b>3 PLW RLM76</b> A.MIG-1613 Panel Line Wash Blue Grey	<b>5 PLW RLM75</b> A.MIG-1611 Panel Line Wash Black Night	<b>7 SHADERS RLM74</b> A.MIG-0866 Dark Green Shader	<b>9 PIGMENTS</b> A.MIG-3011 Airfield Dust
<b>2 INTERIOR WASH</b> A.MIG-1008 Dark Wash	<b>4 PLW RLM74</b> A.MIG-1612 Panel Line Wash Green Brown	<b>6 SHADERS RLM76</b> A.MIG-0861 Marine Blue Shader	<b>8 SHADERS RLM75</b> A.MIG-0857 Navy Grey Shader	<b>10 FUEL STAINS</b> A.MIG-1253 Streaking/Inch Grime

Border



WWW.BORDERMODEL.COM