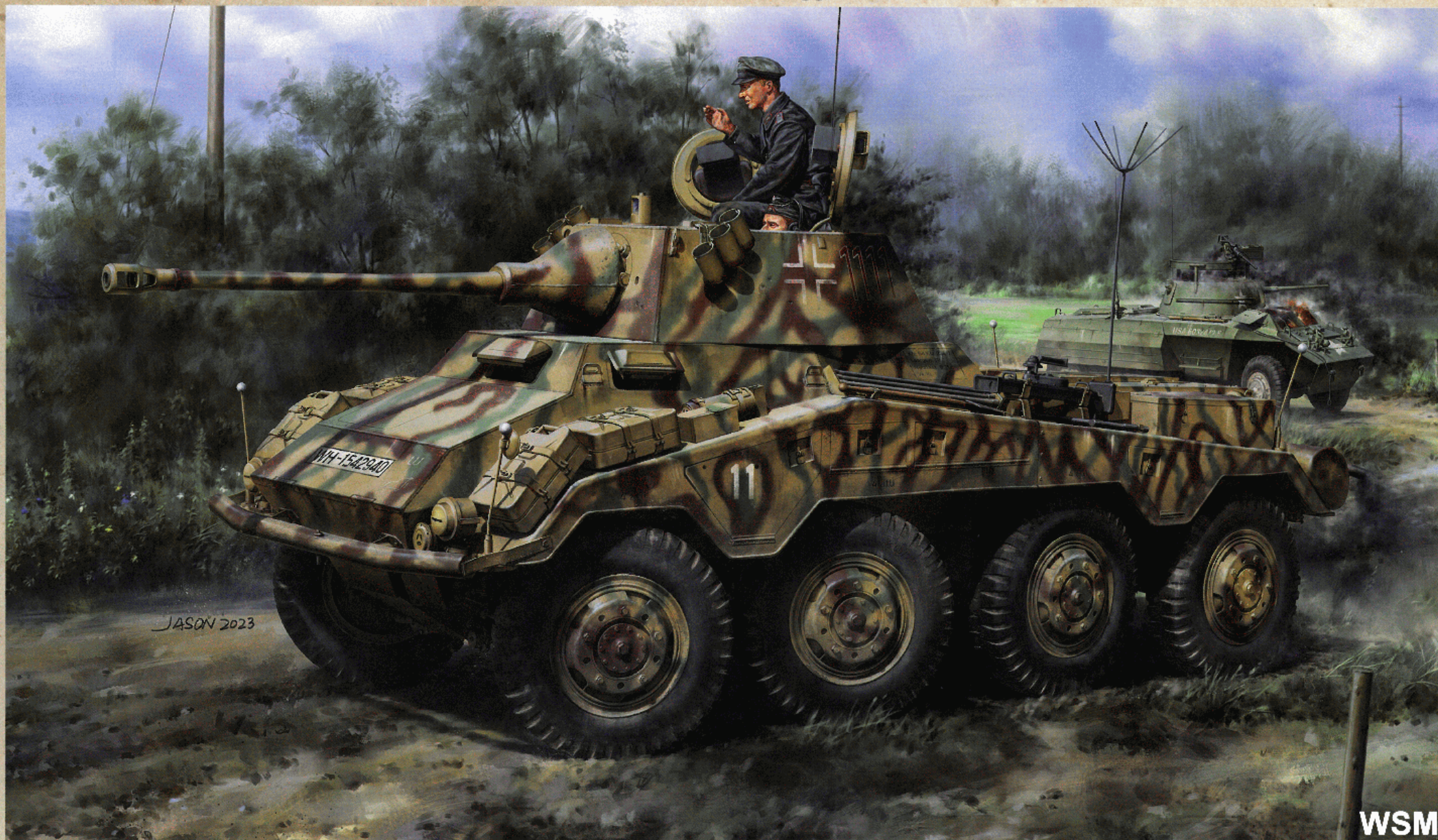


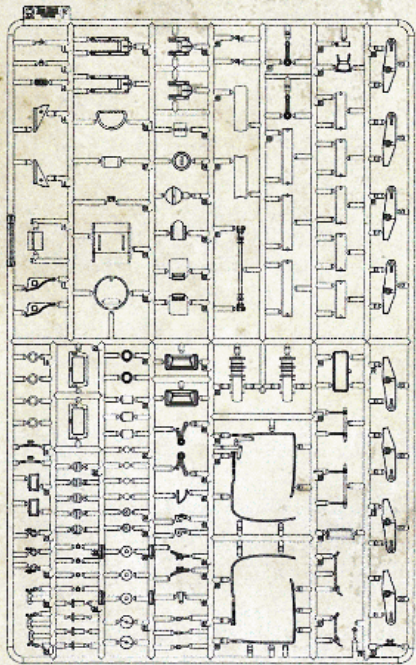
# Sd.Kfz. 234/2 „Puma“

DW16006

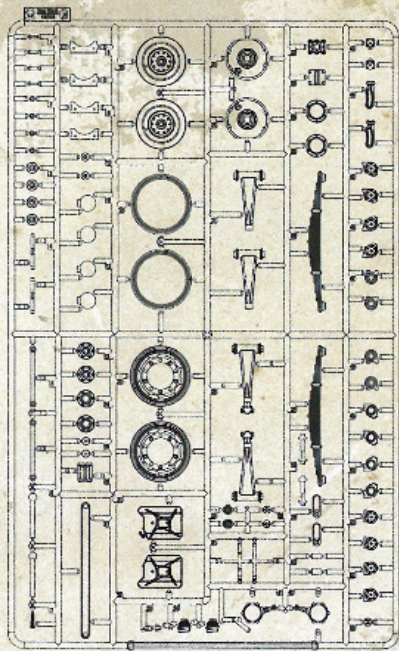


**Vor dem Zusammenbau lesen!**

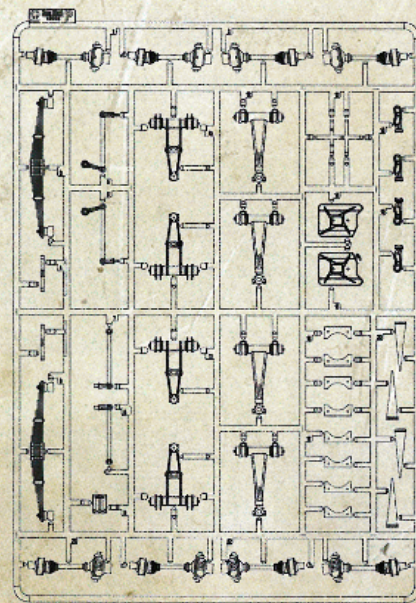
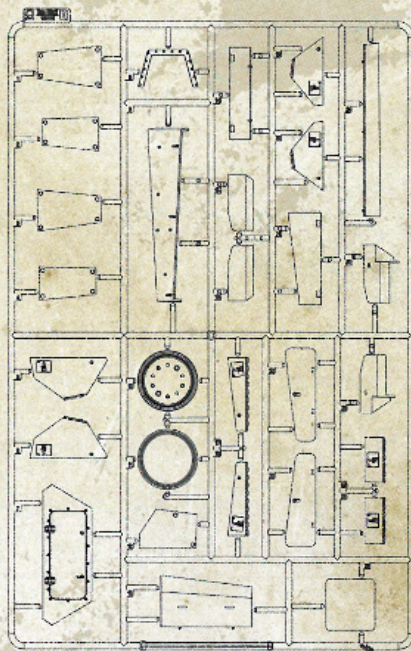
# PARTS



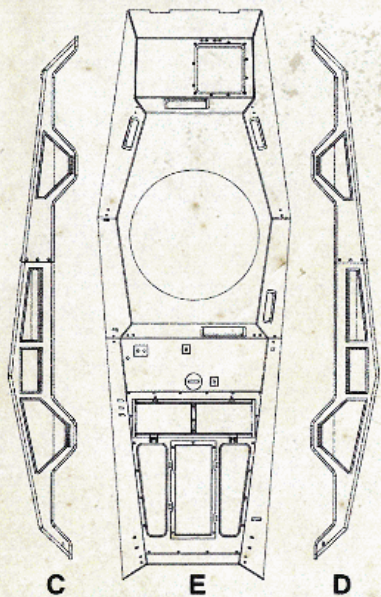
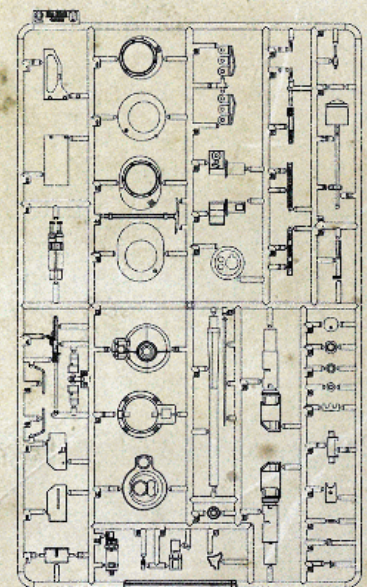
X2



X4



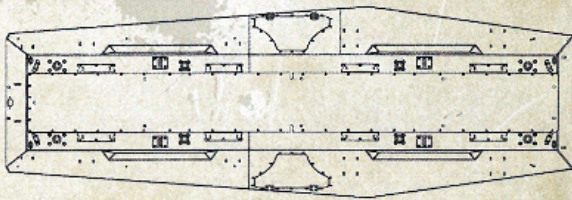
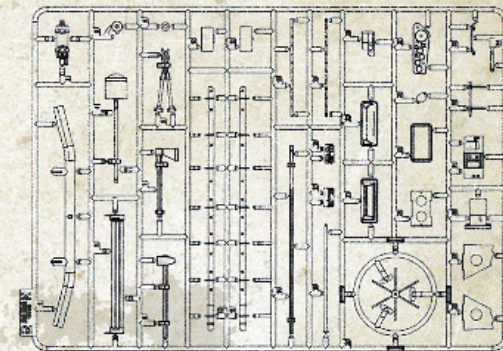
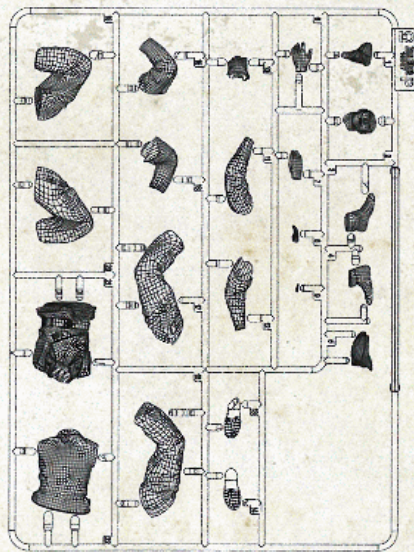
X2



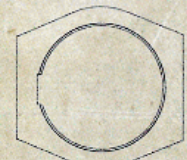
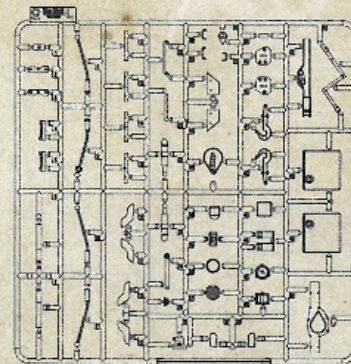
C

E

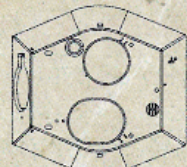
D



B



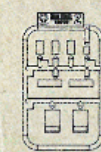
N



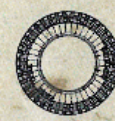
M



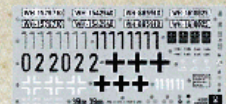
A



Metal Barrel



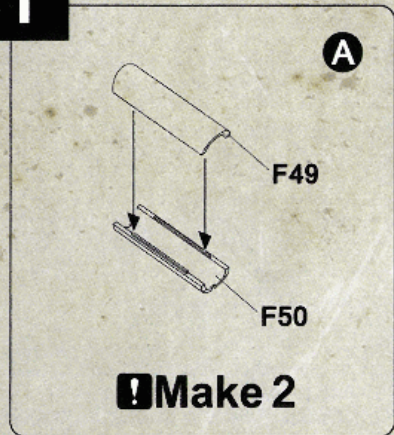
X9



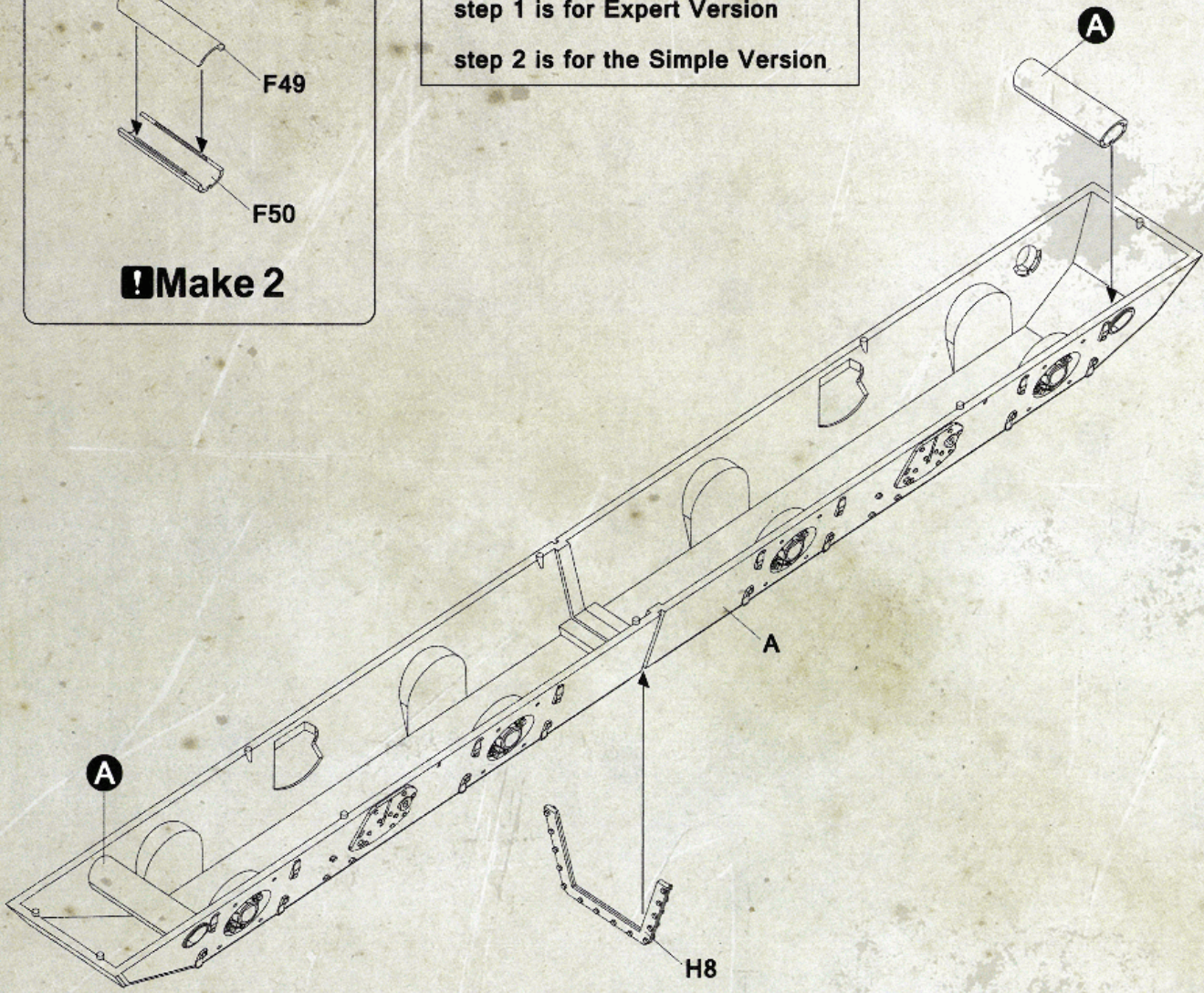
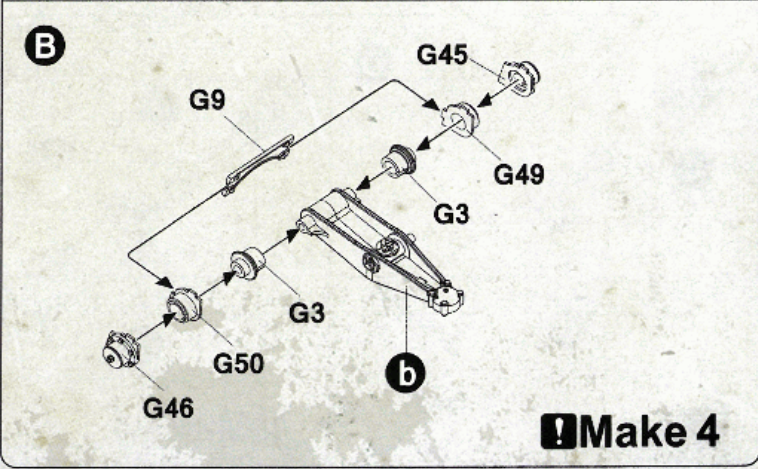
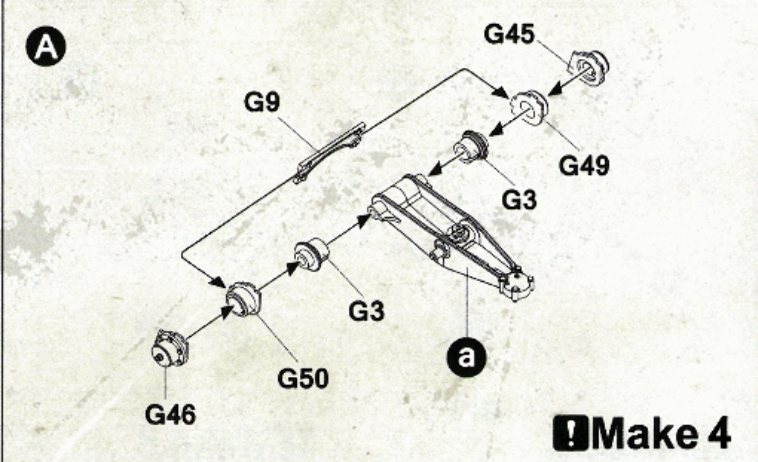
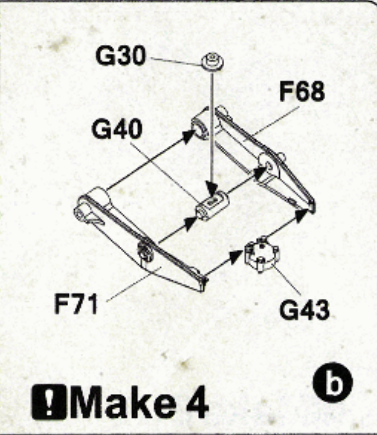
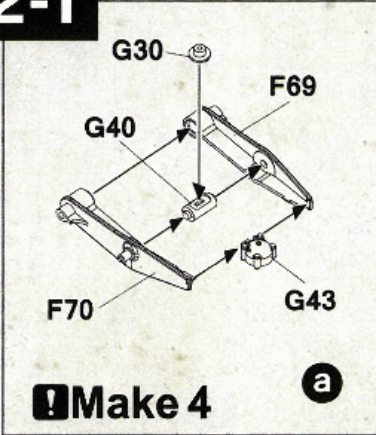
Decal

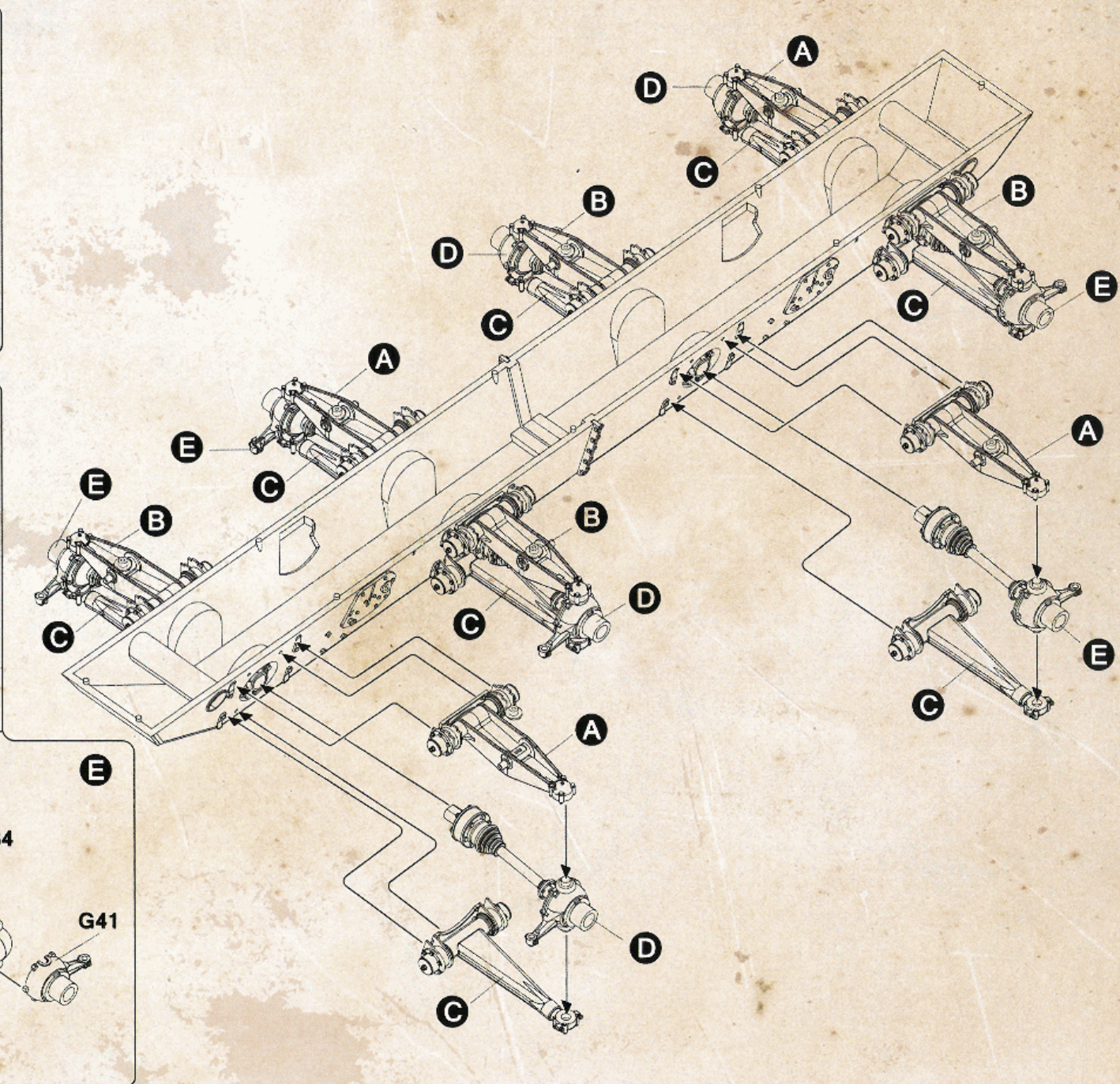
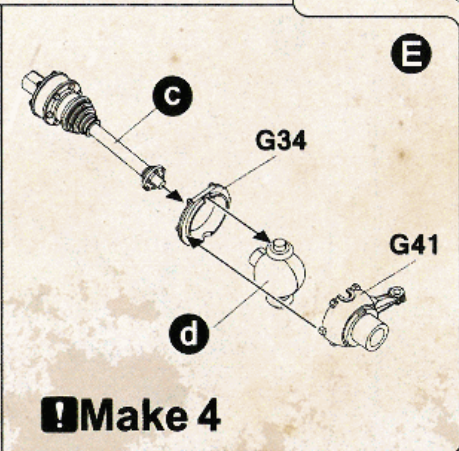
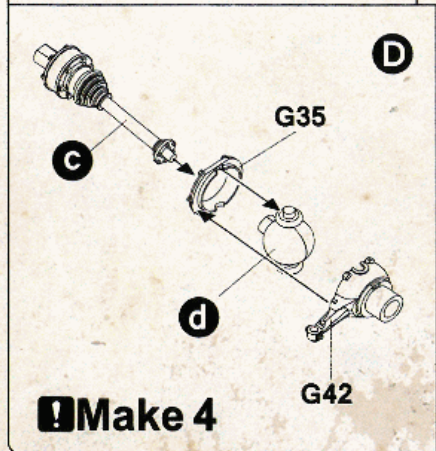
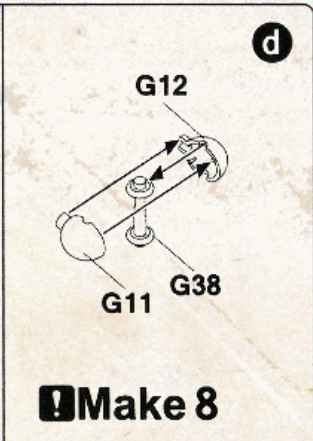
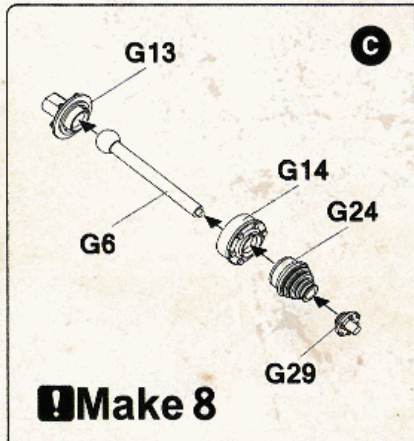
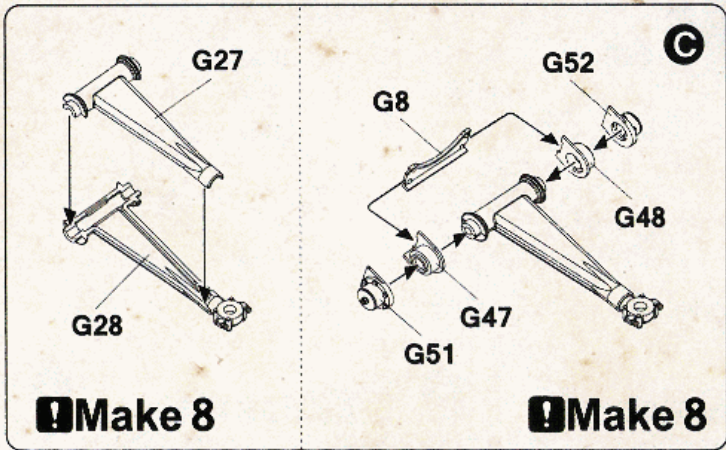


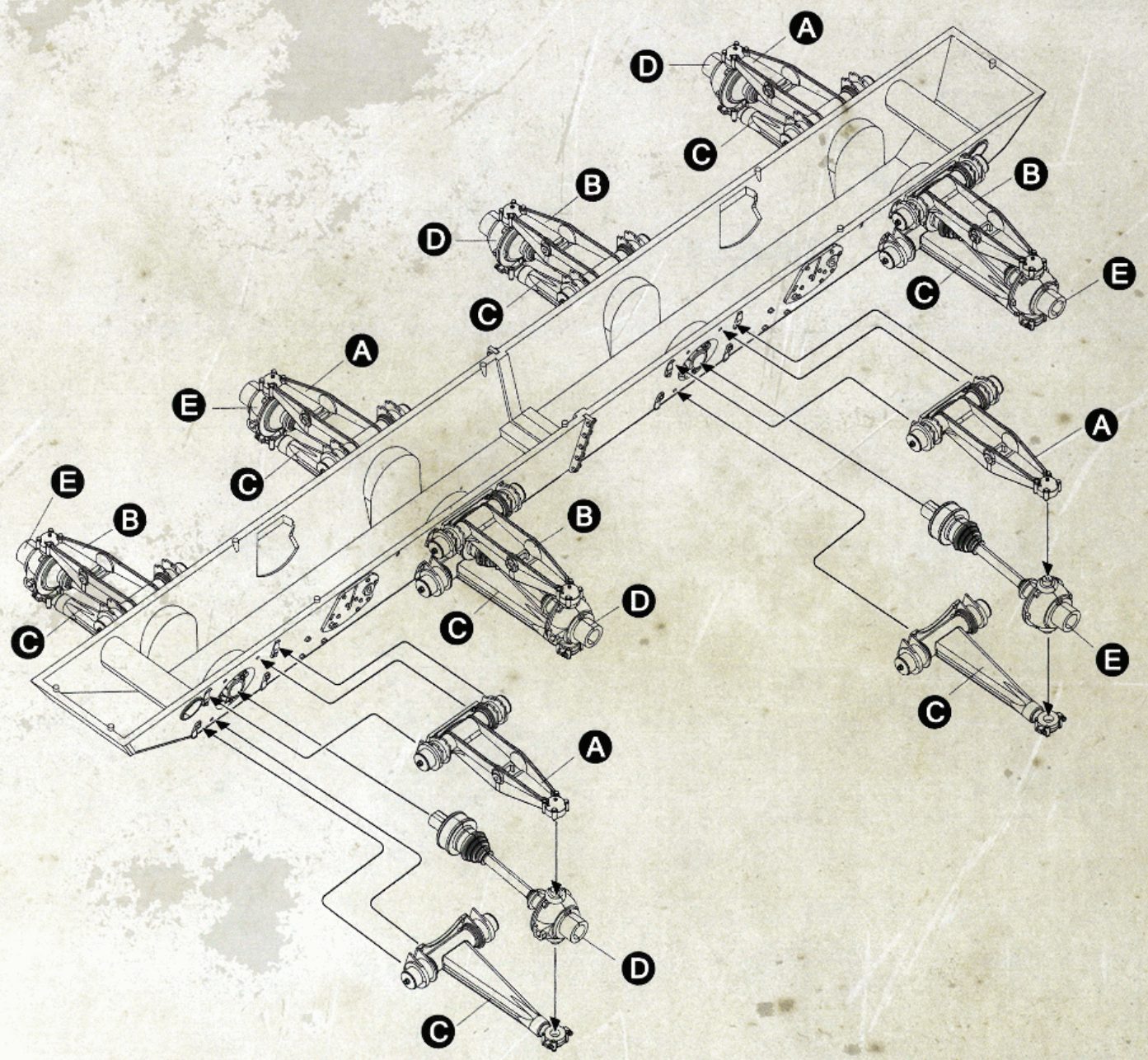
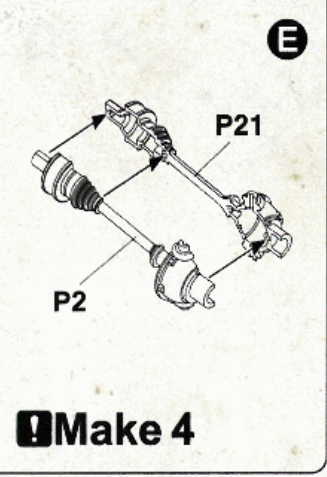
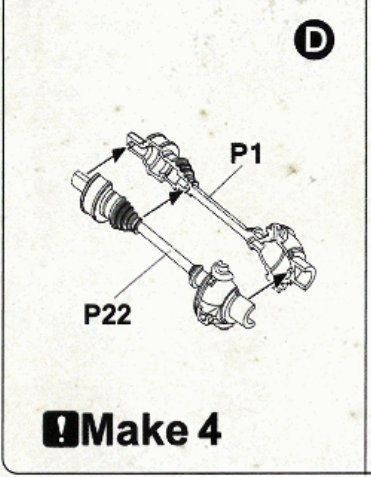
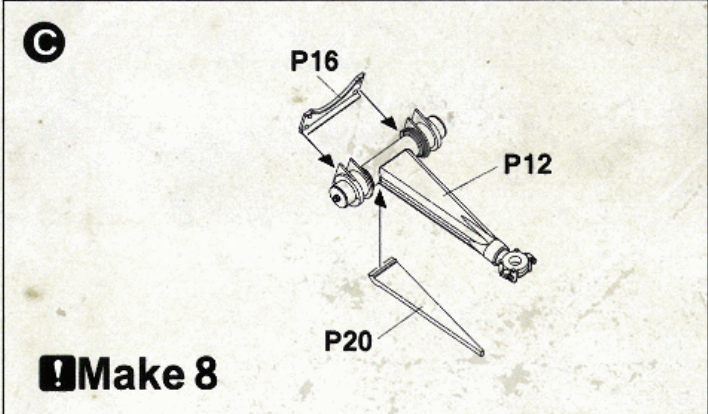
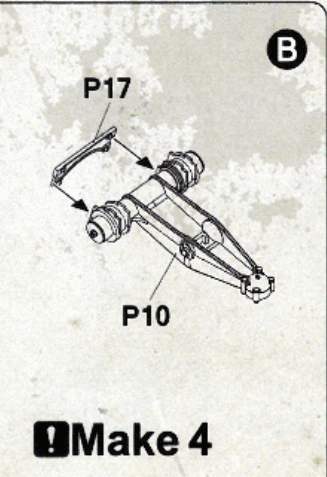
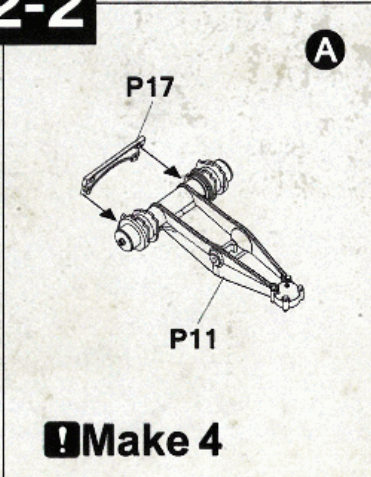
TP

**1**

Please note **!**  
 step 1 is for Expert Version  
 step 2 is for the Simple Version.

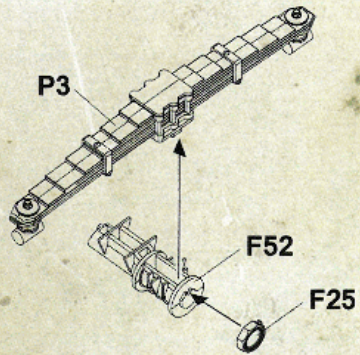
**2-1**





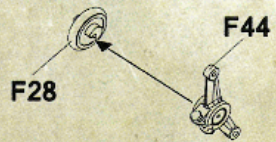


**A**

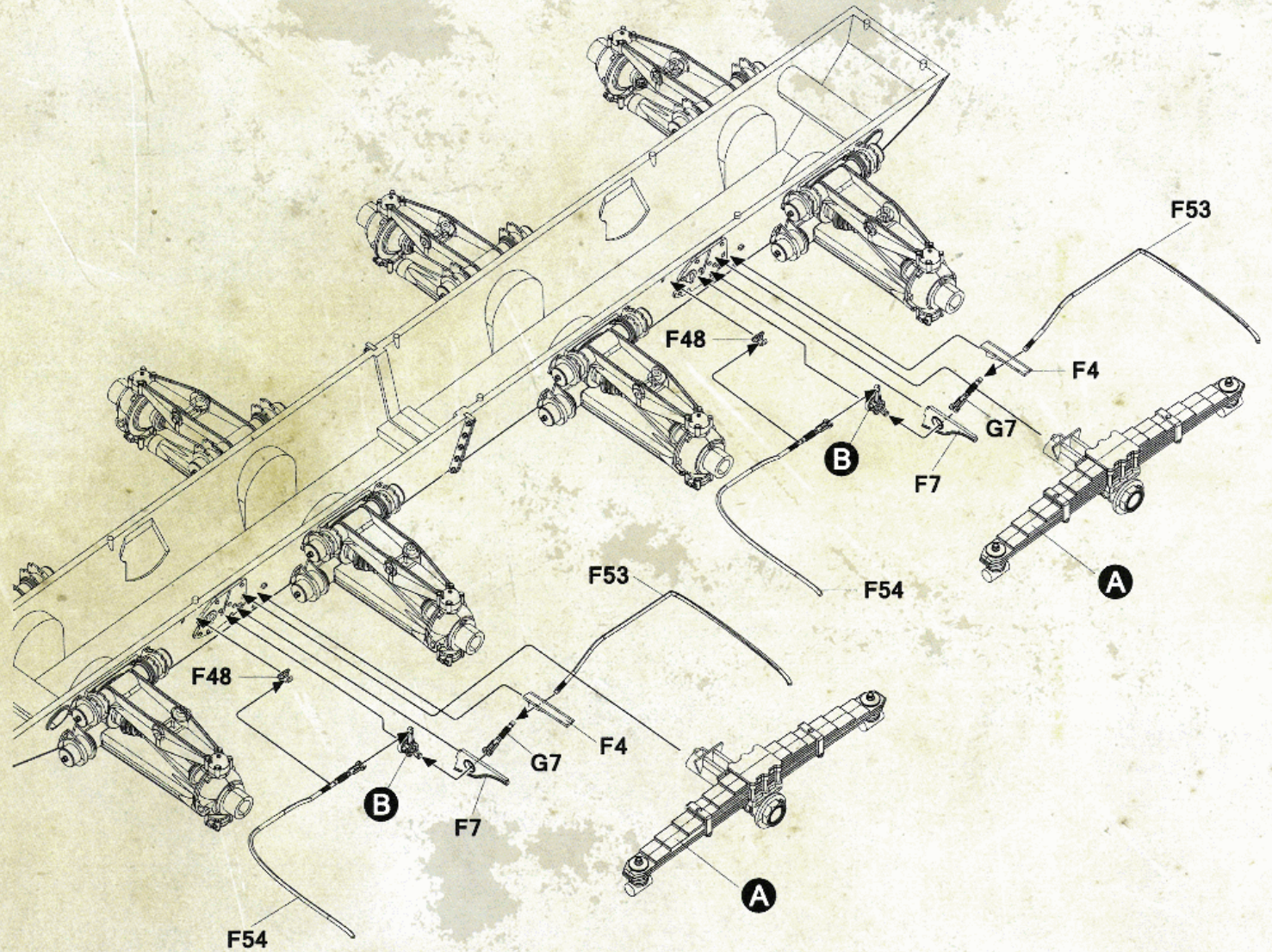


**Make 2**

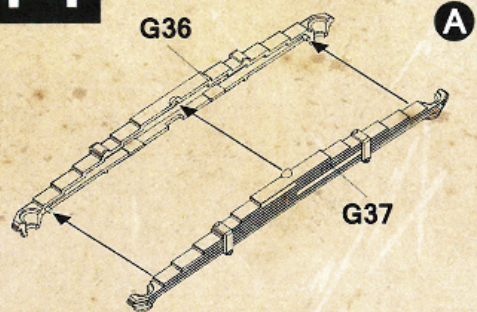
**B**



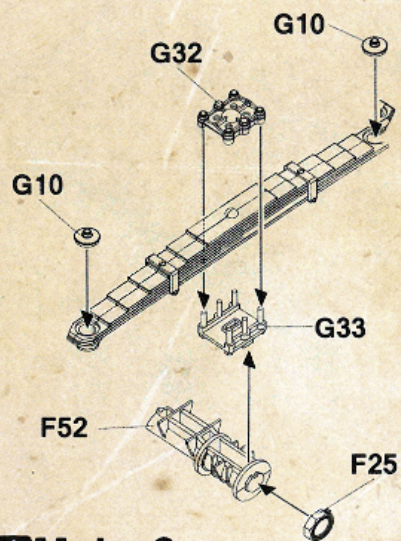
**Make 2**



4-1

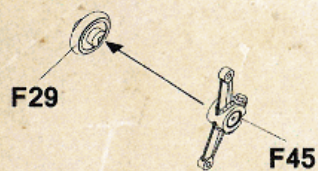


**Make 2**

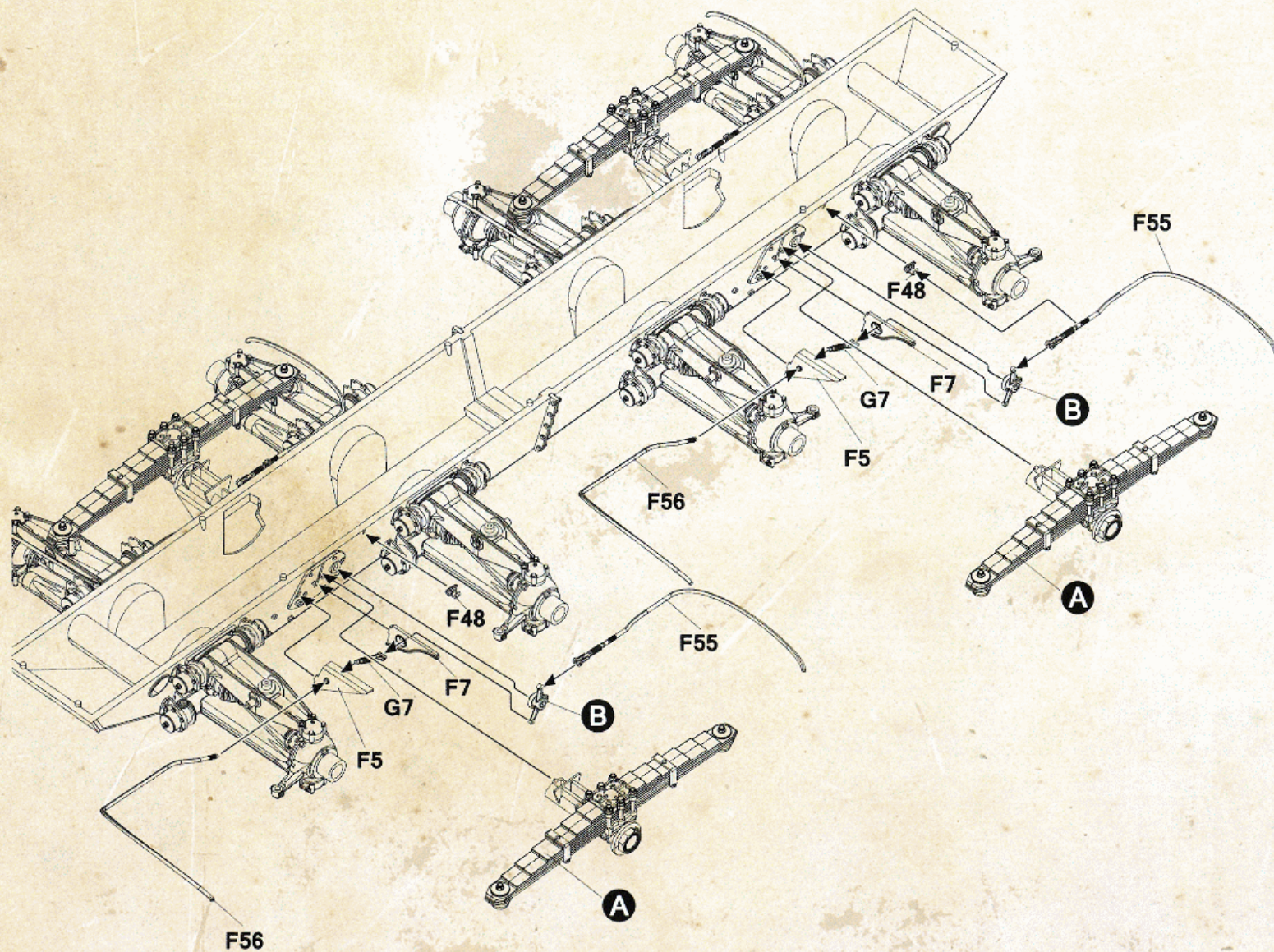


**Make 2**

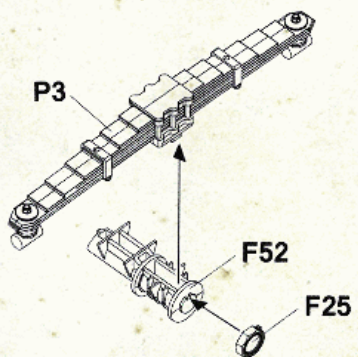
**B**



**Make 2**

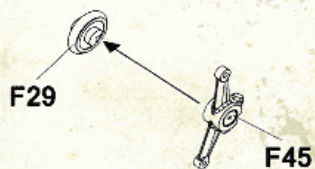


**A**

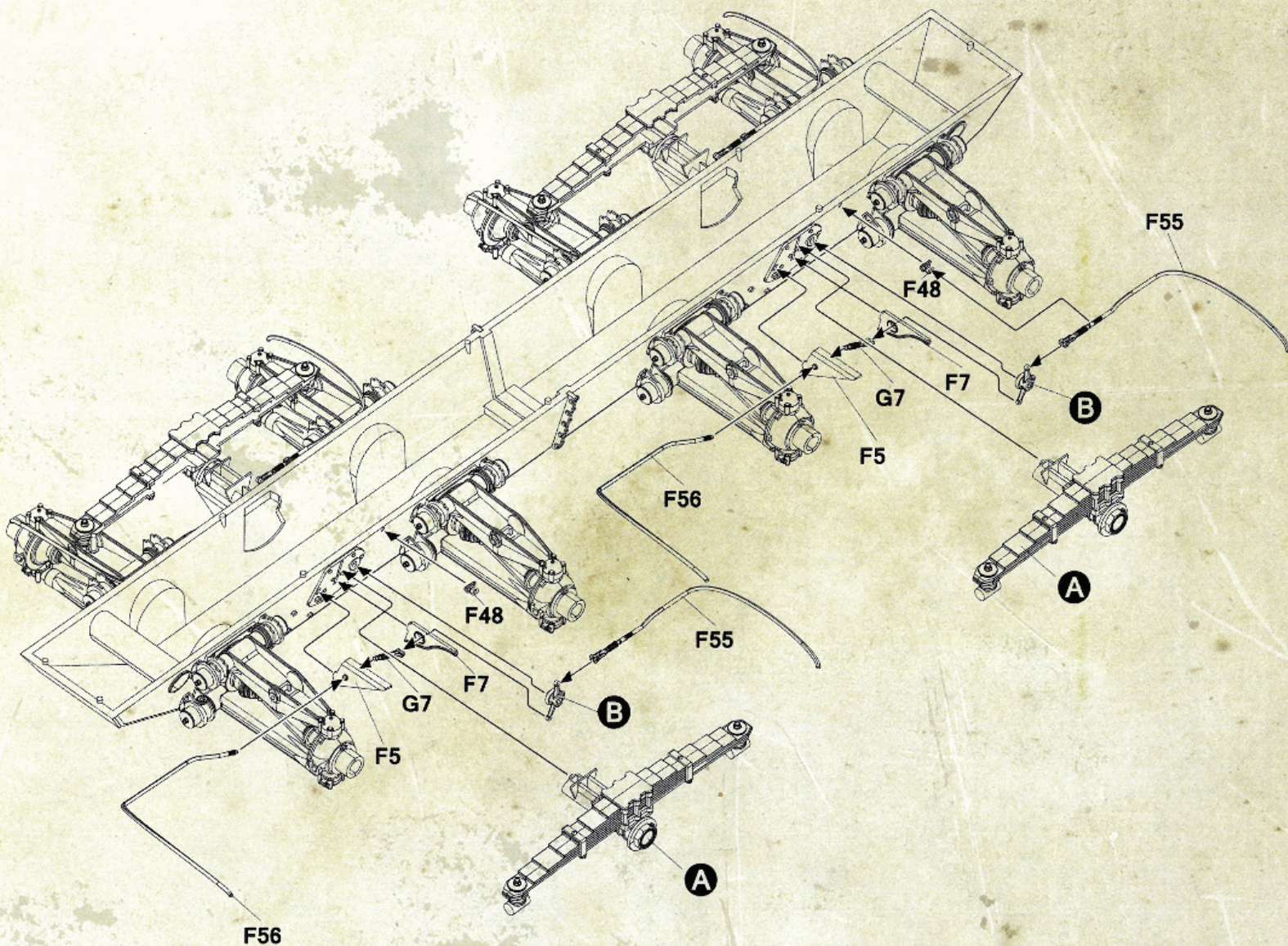


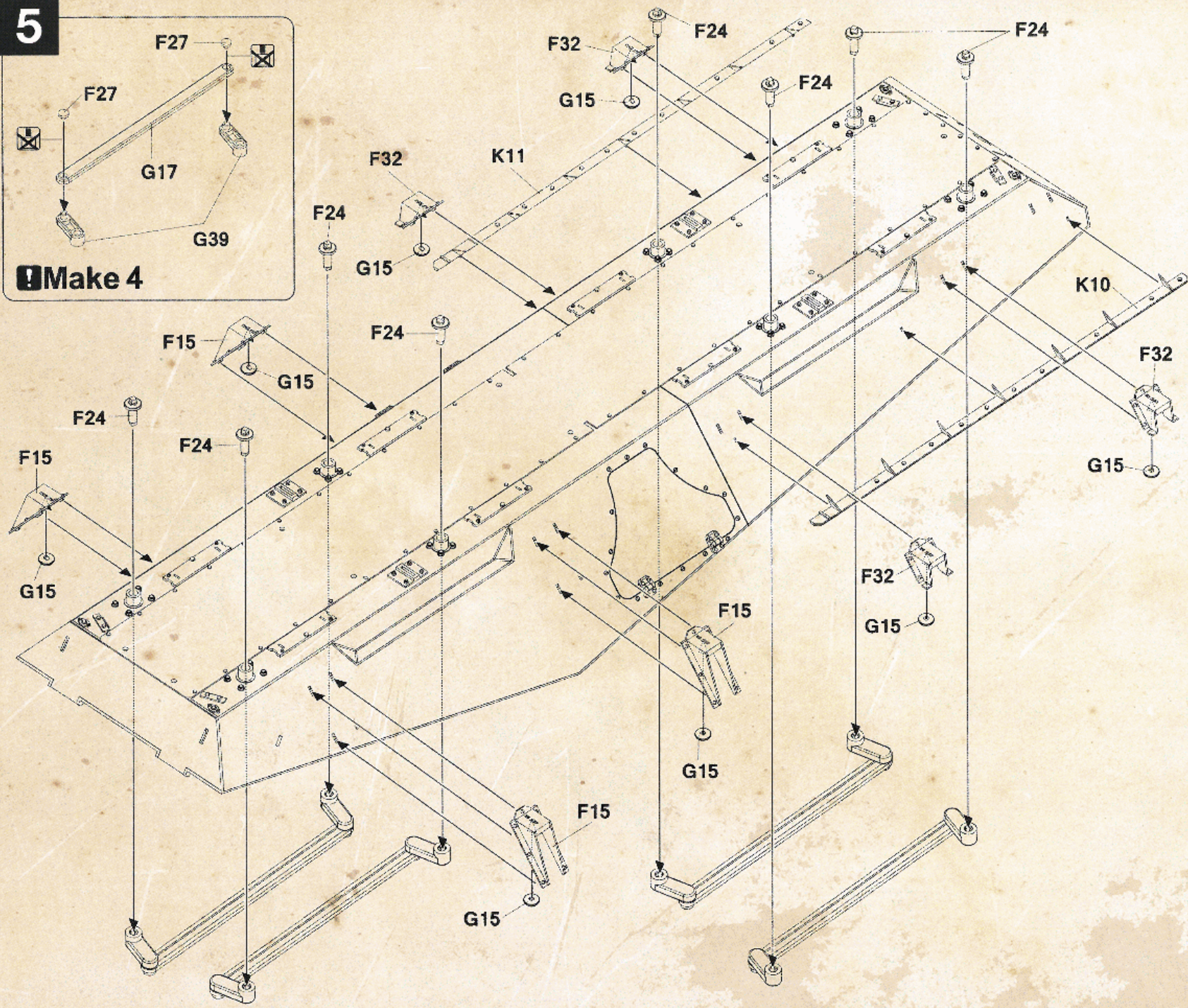
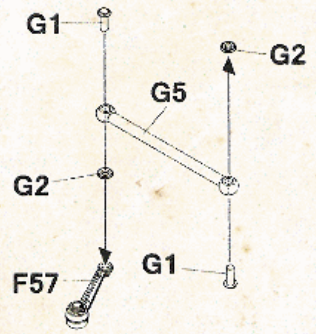
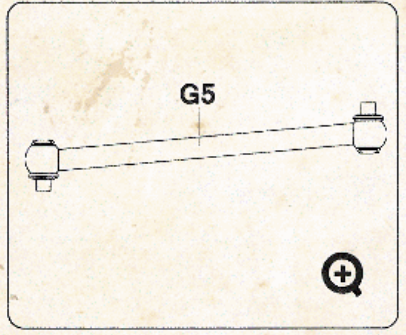
**Make 2**

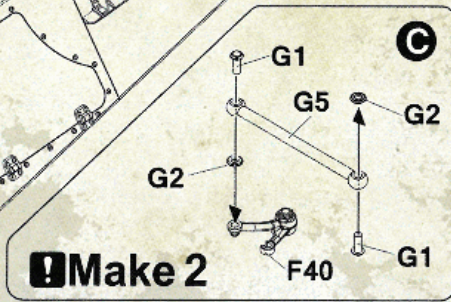
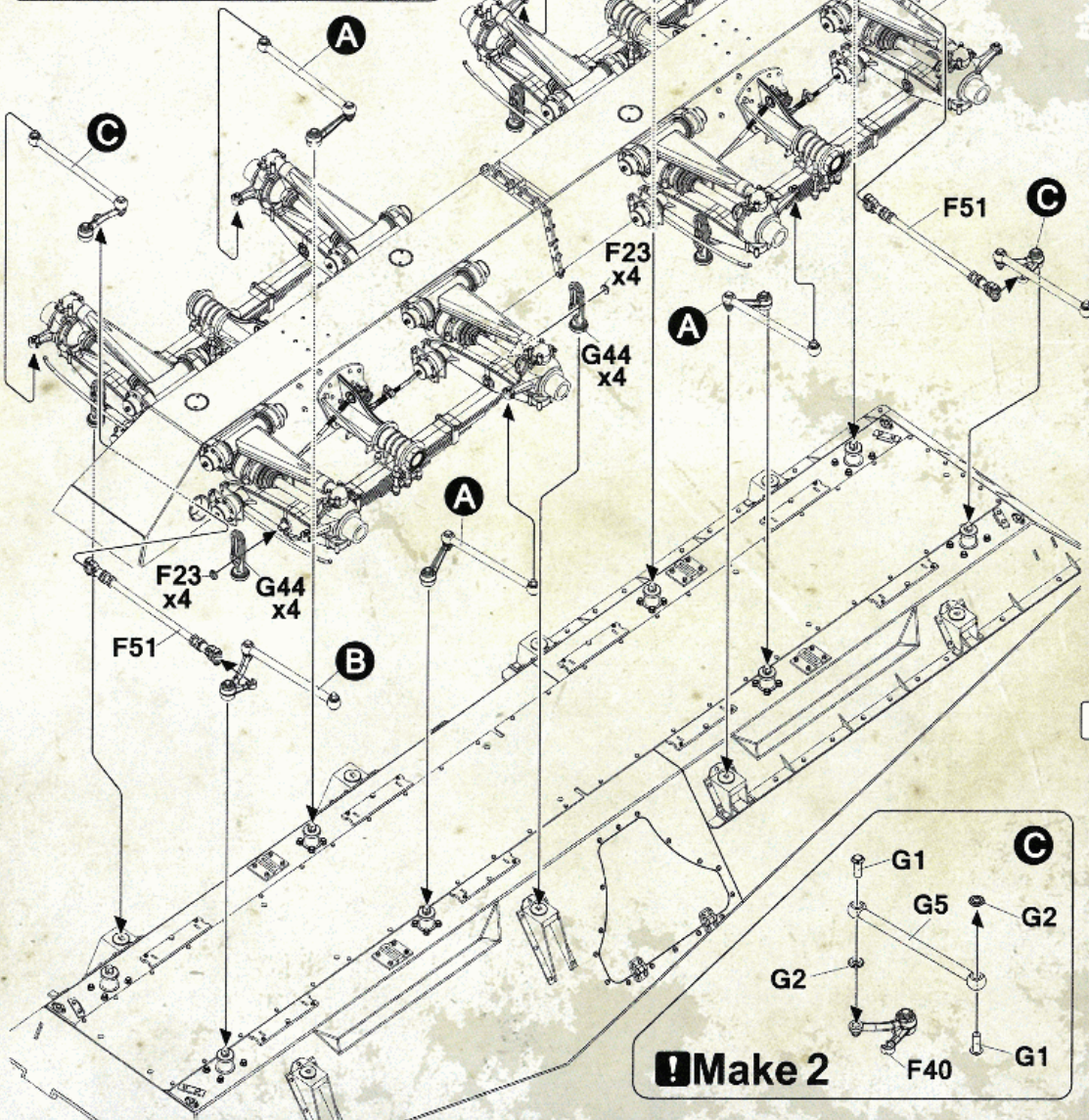
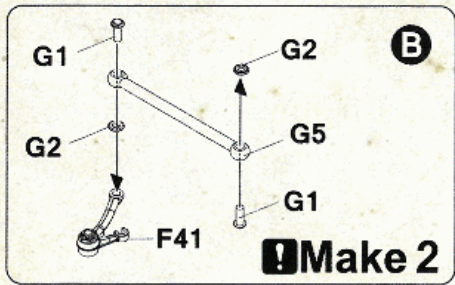
**B**



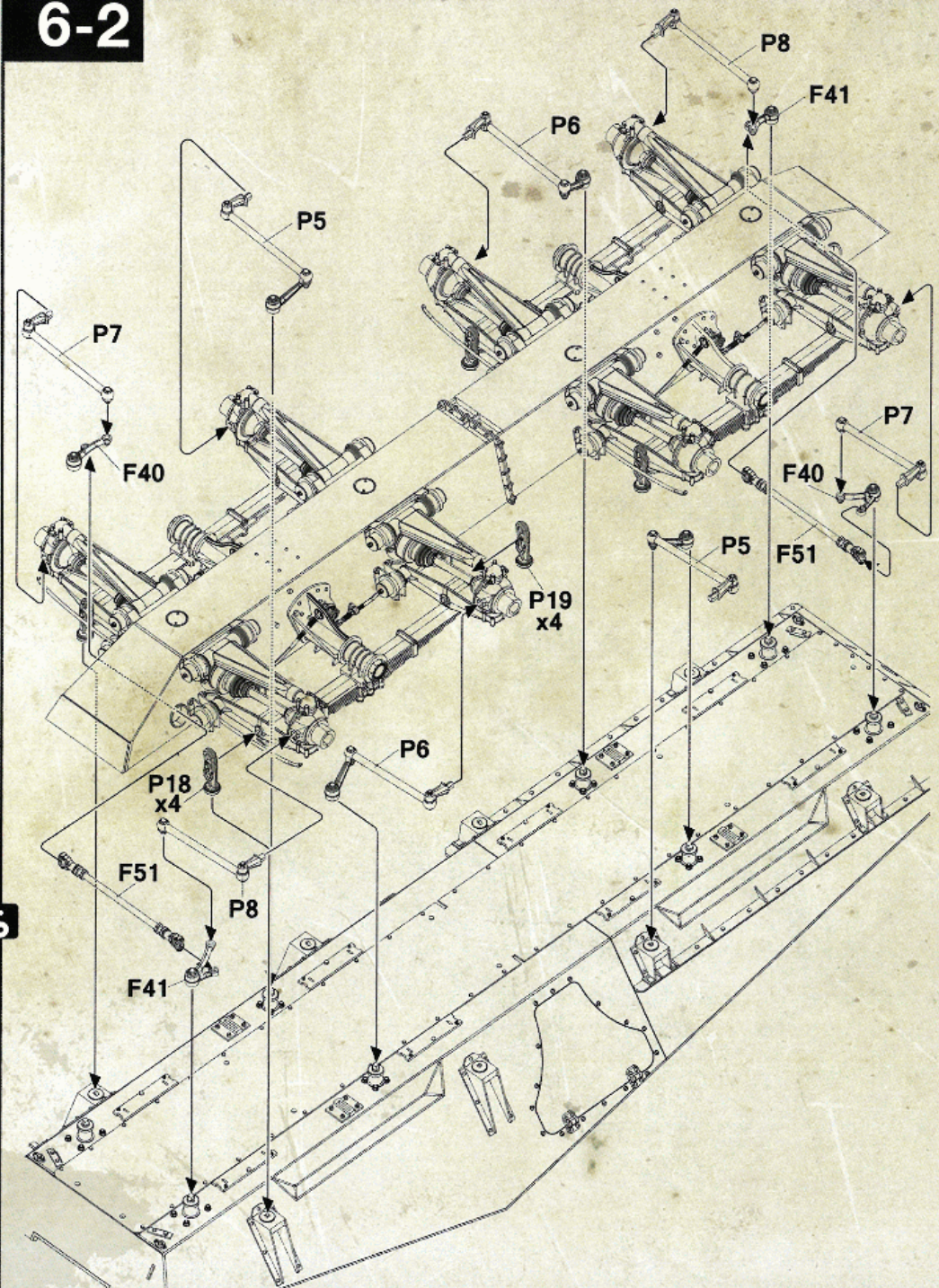
**Make 2**



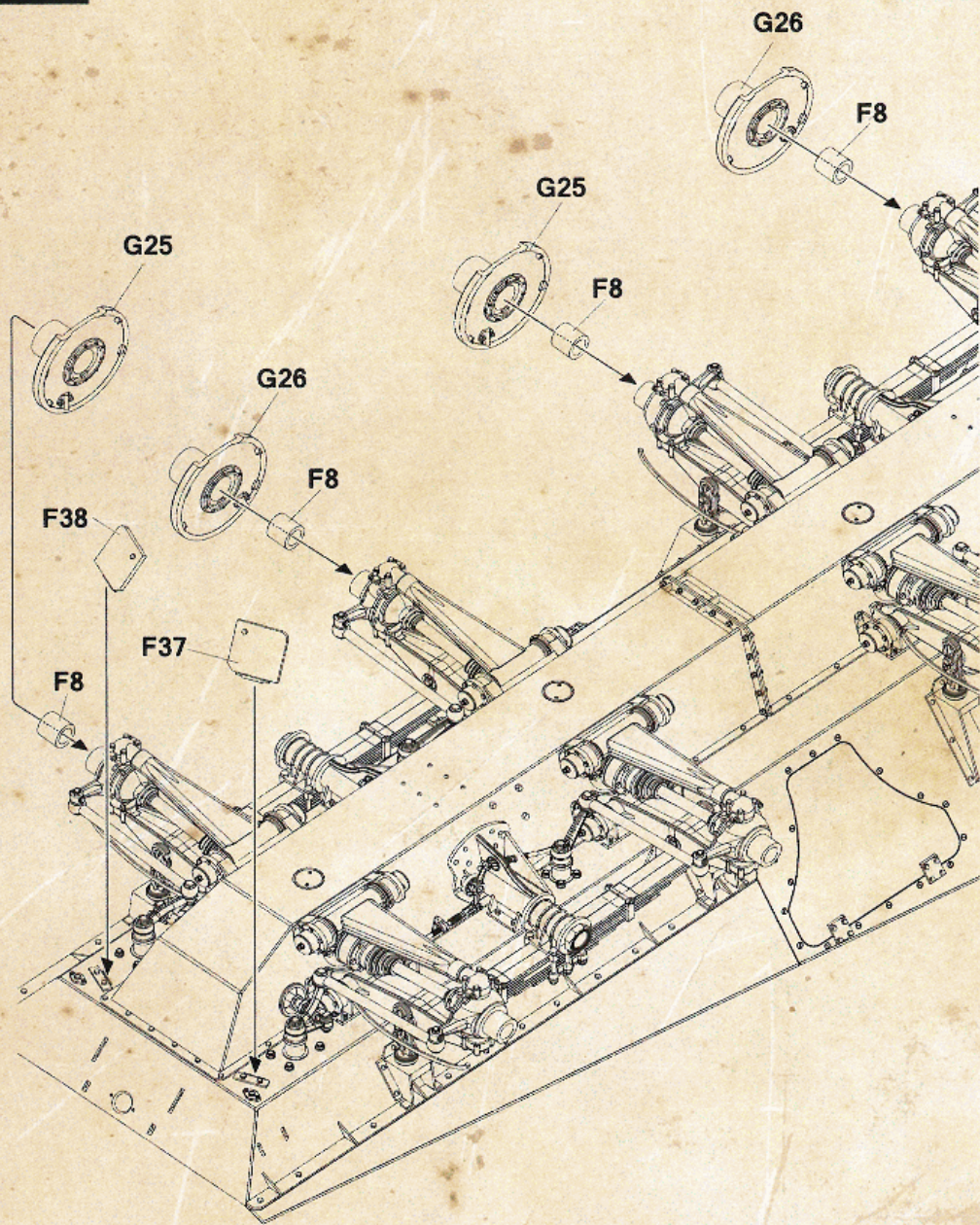
**5****Make 4****6-1****A****Make 4**



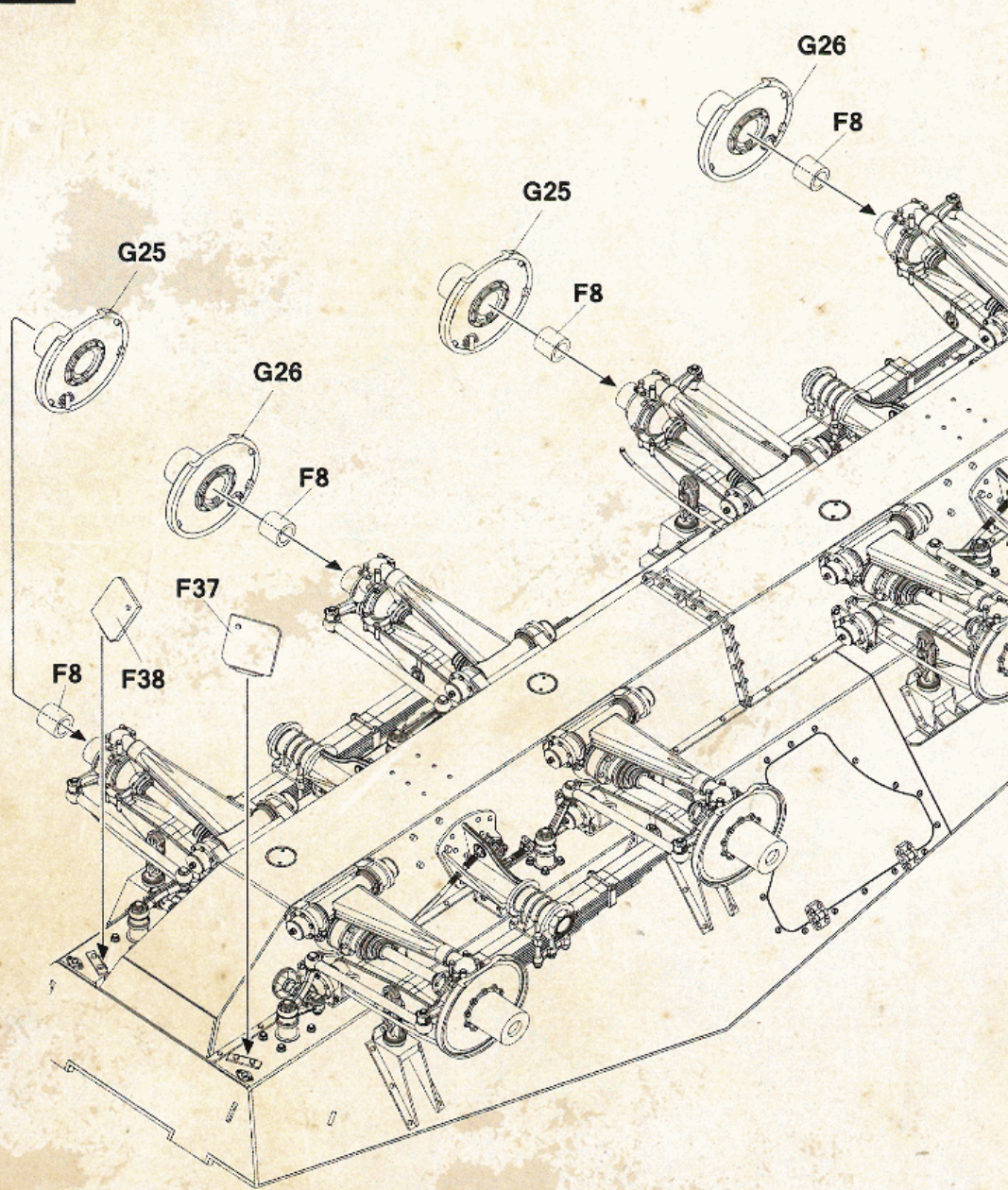
**6-2**

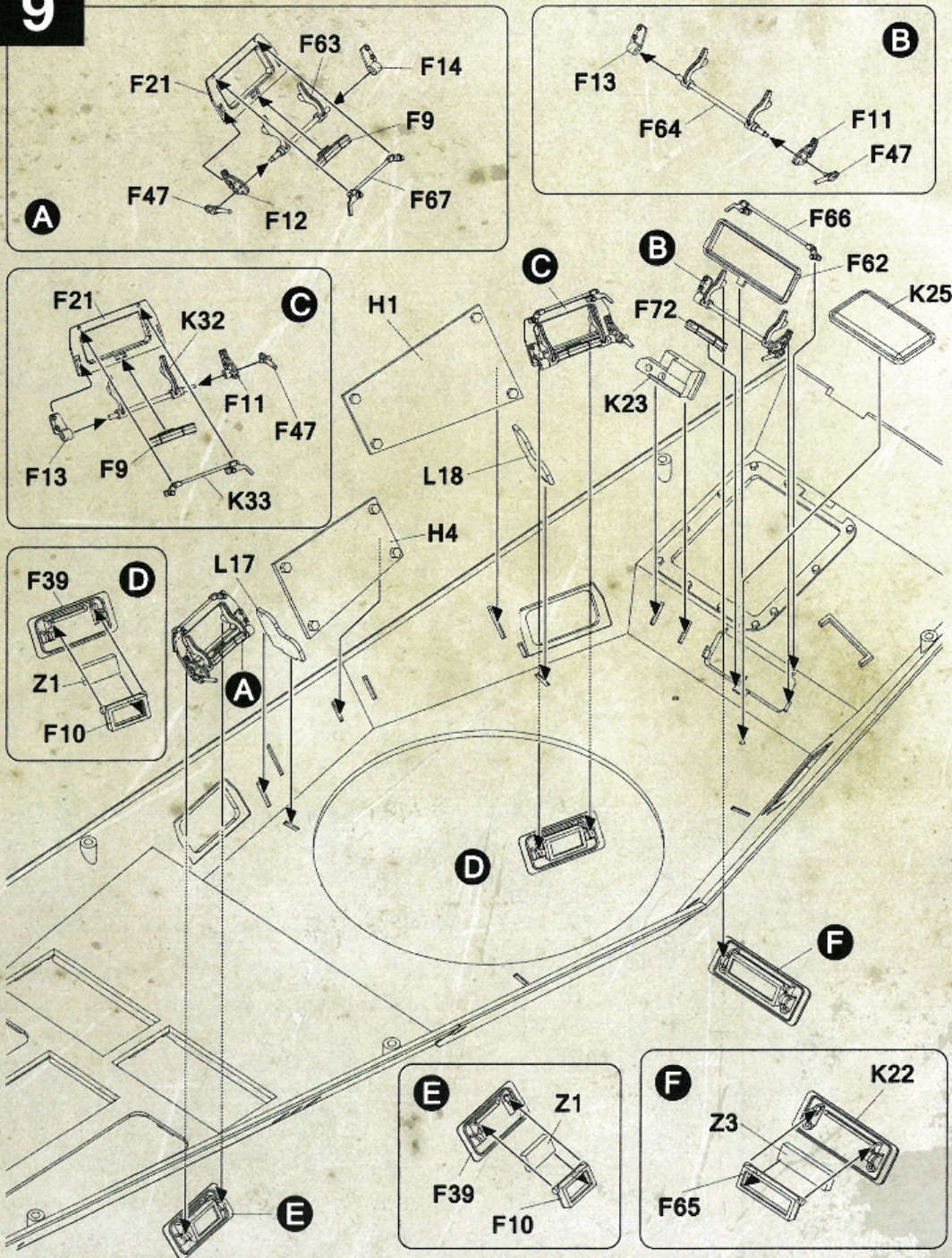
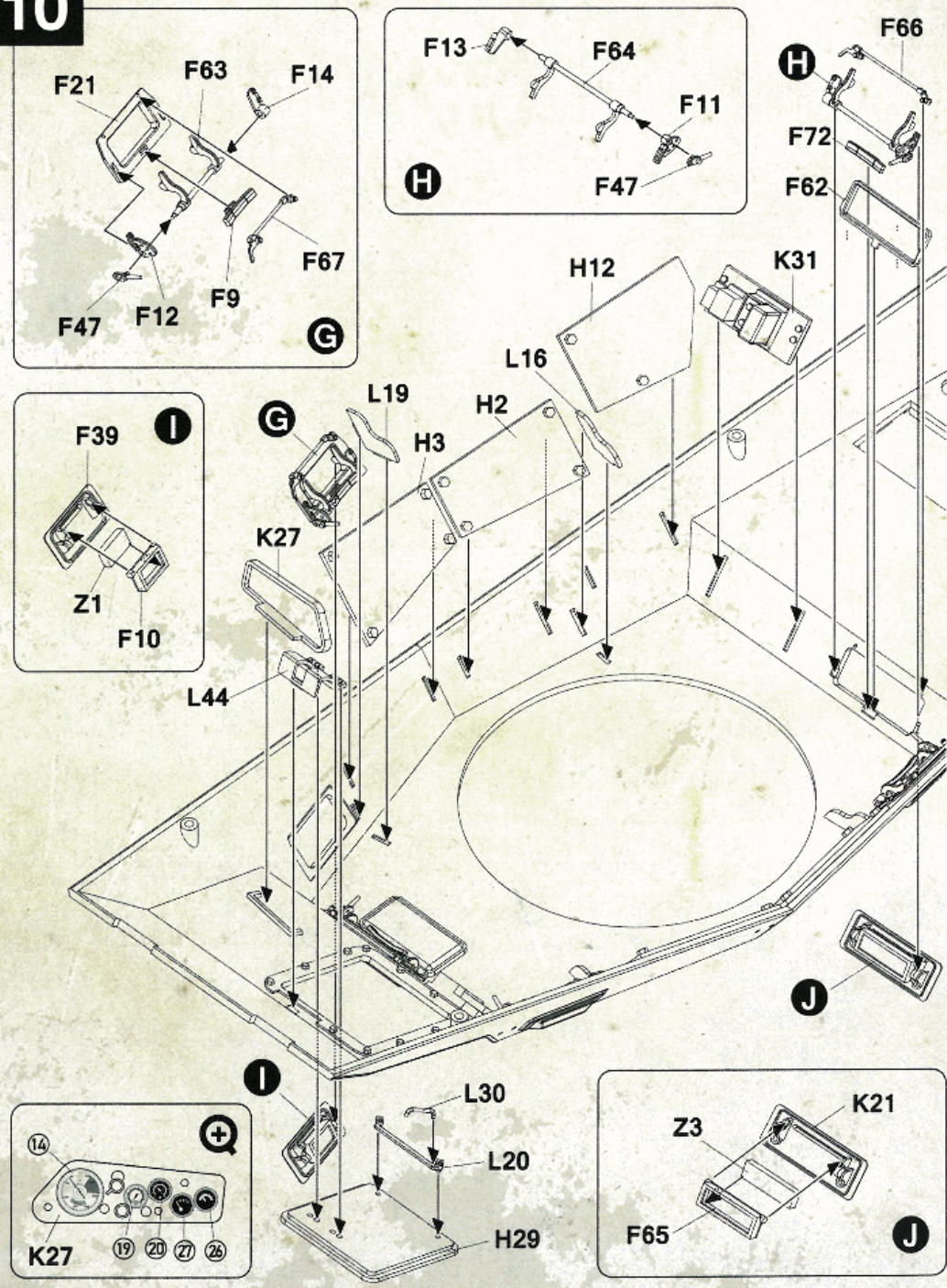


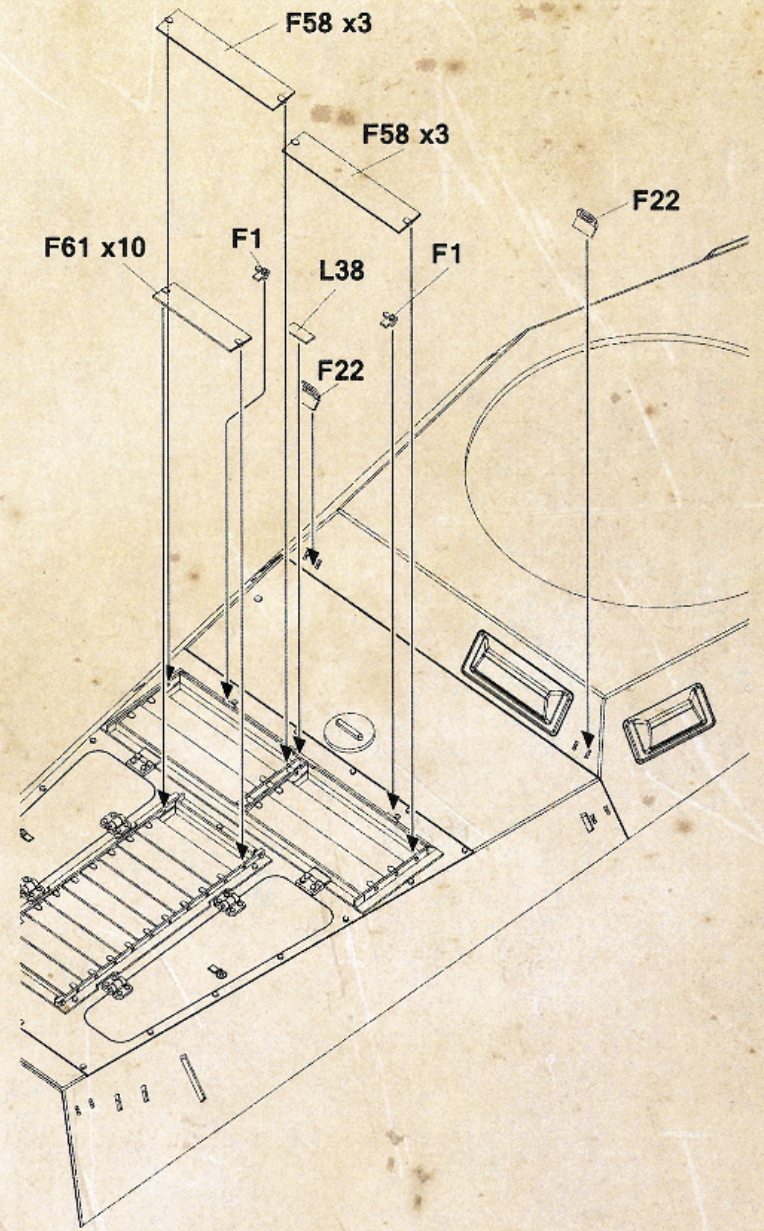
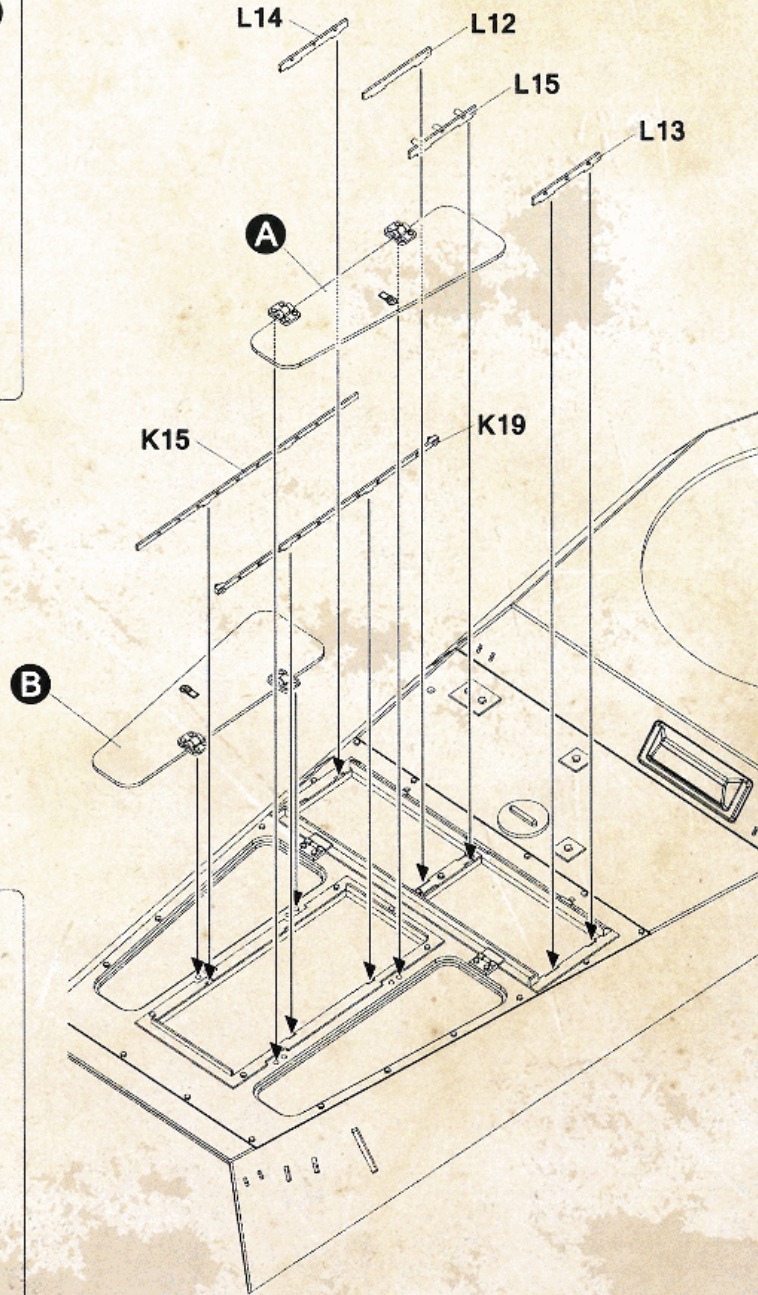
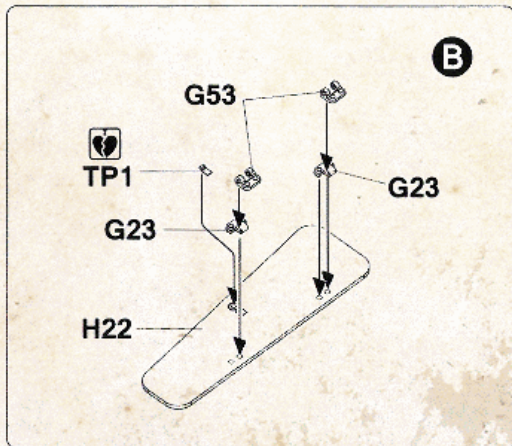
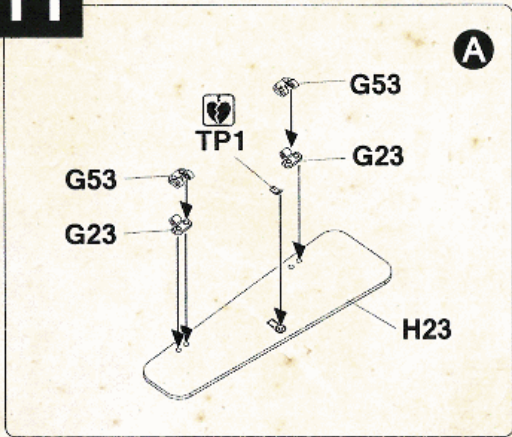
7



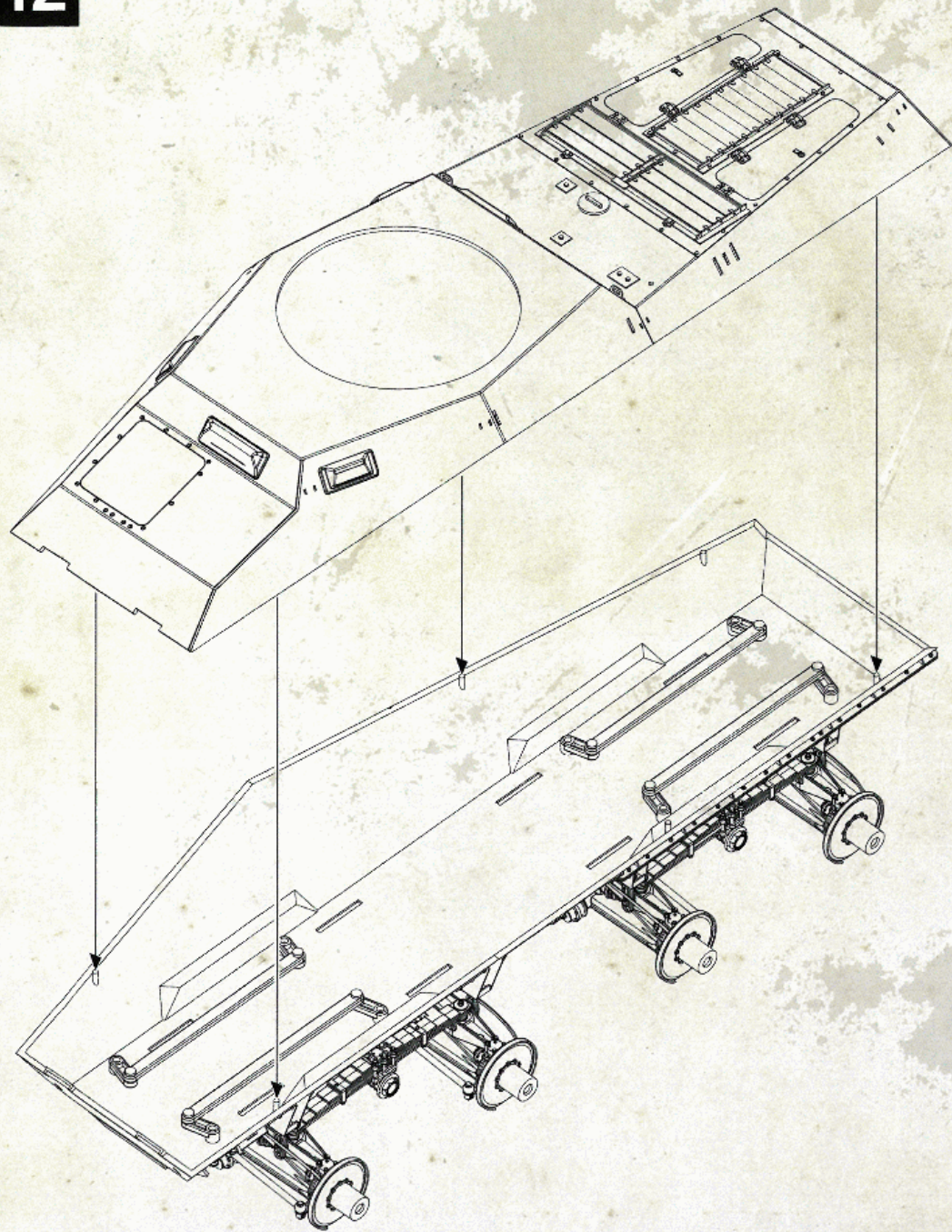
8



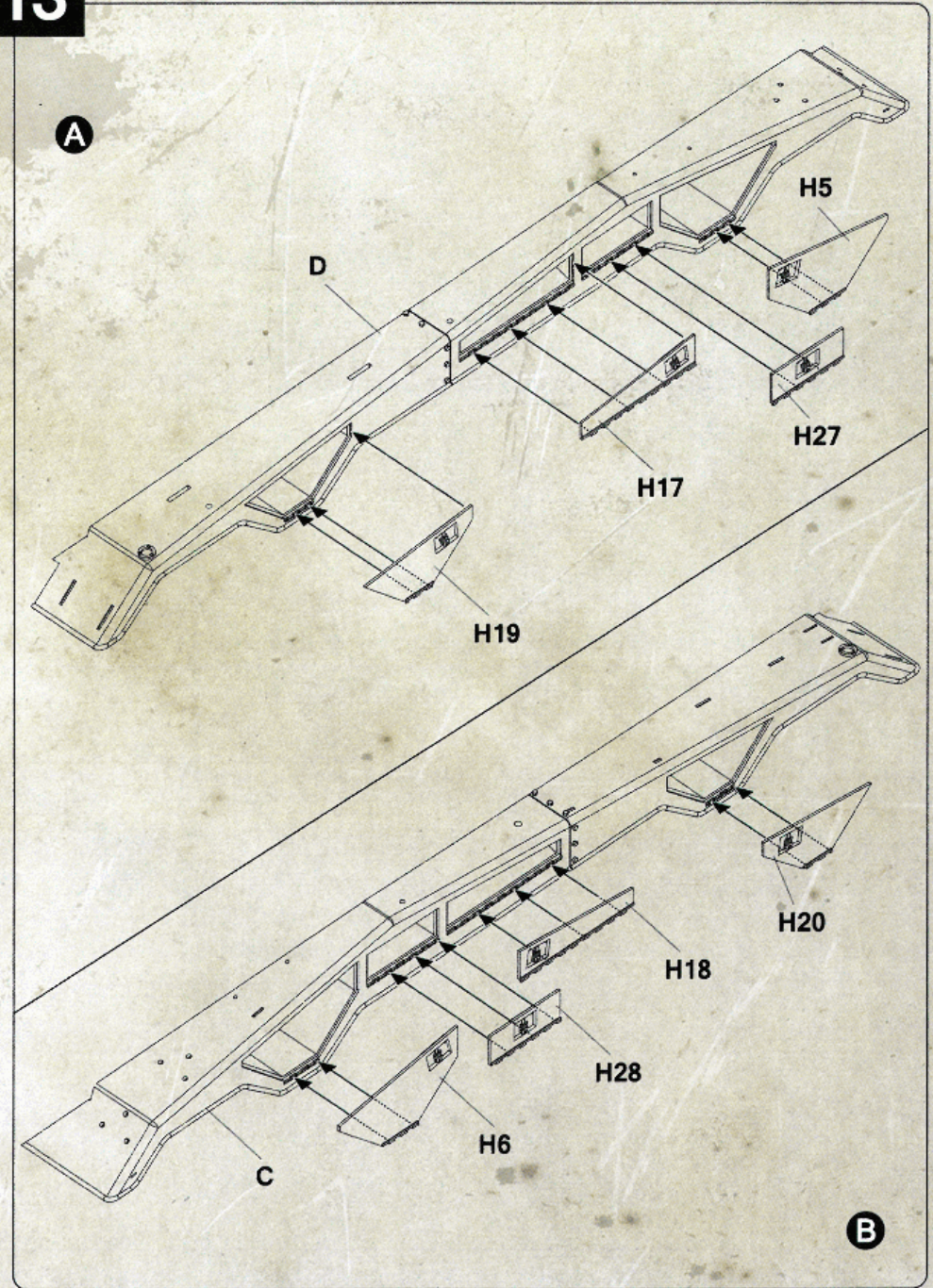
**9****10**

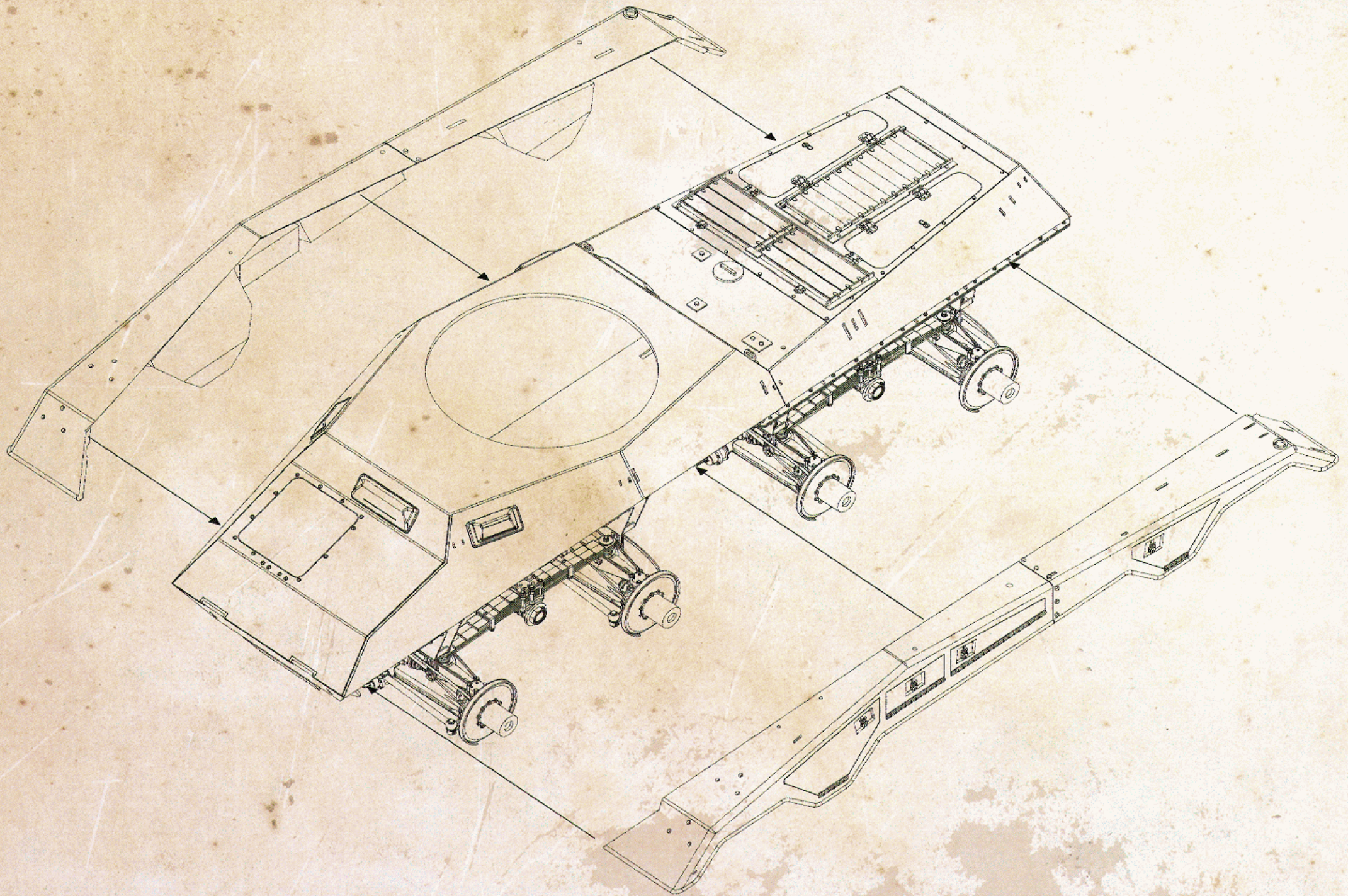


12

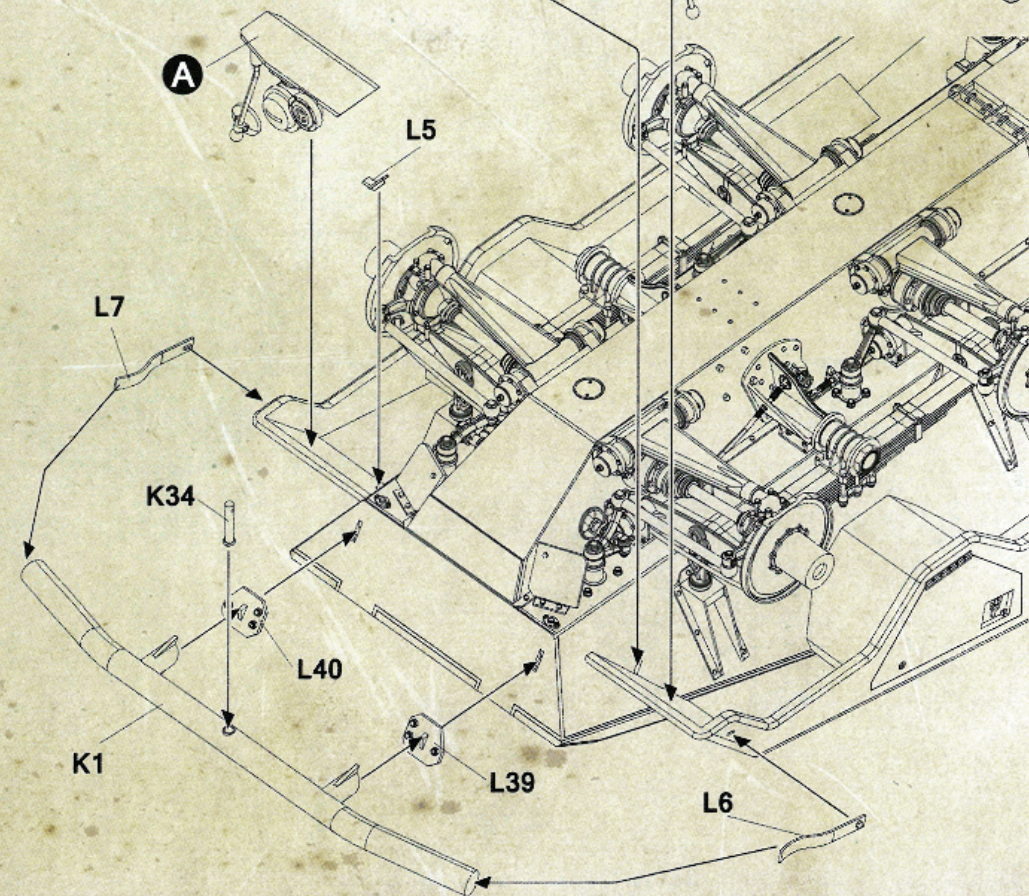
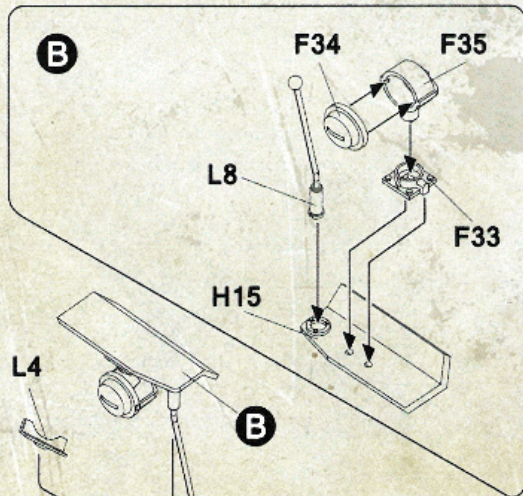
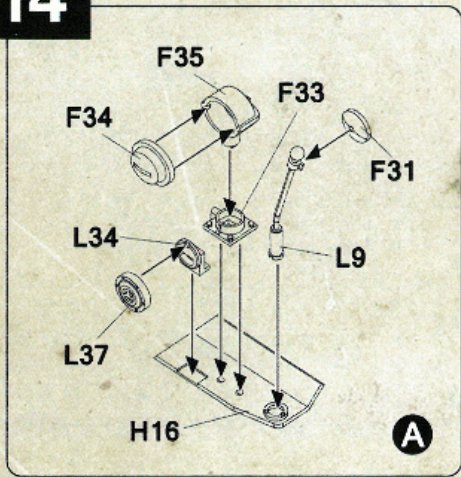


13

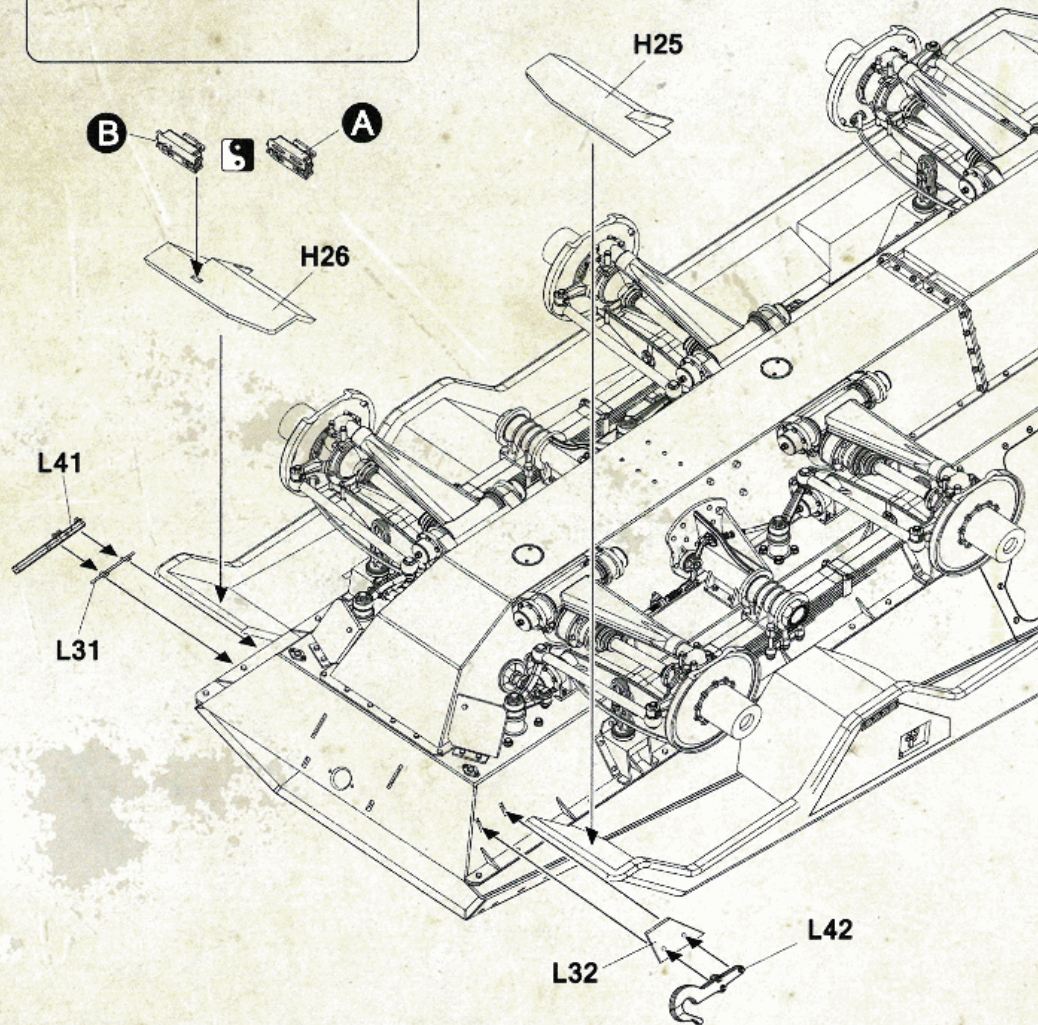
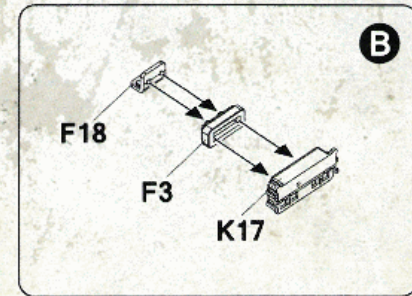
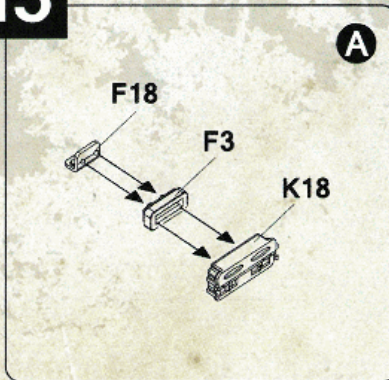




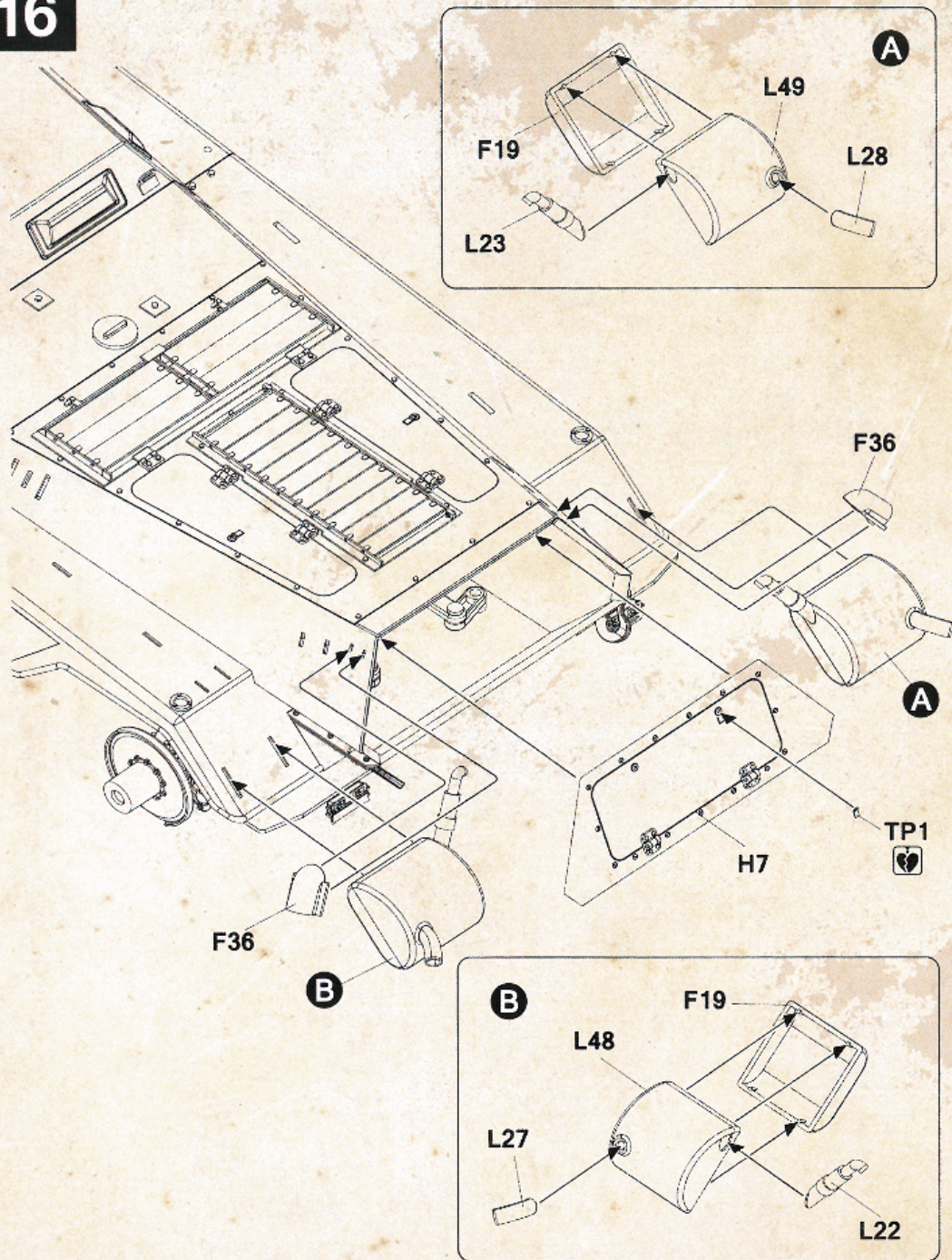
14



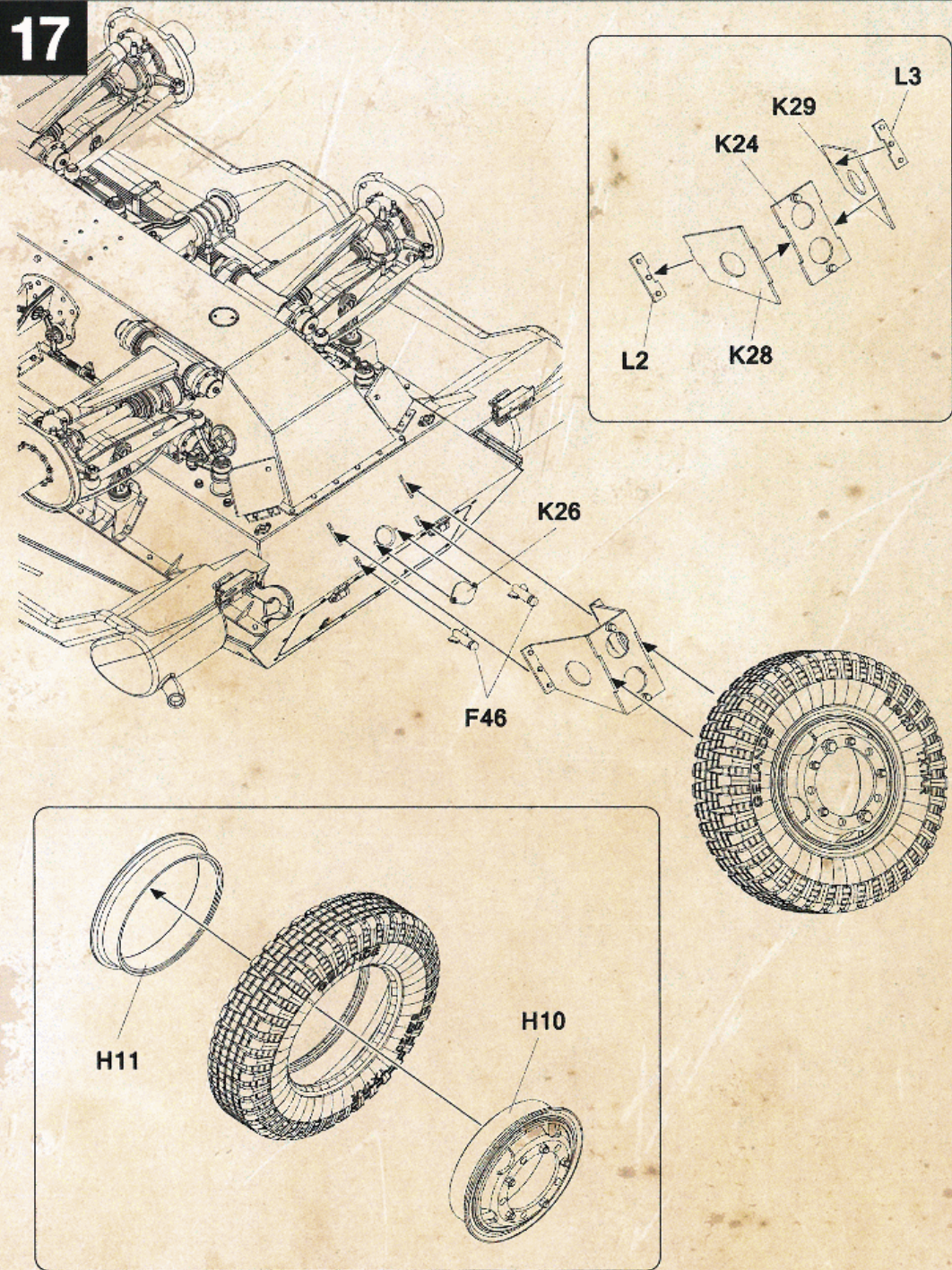
15

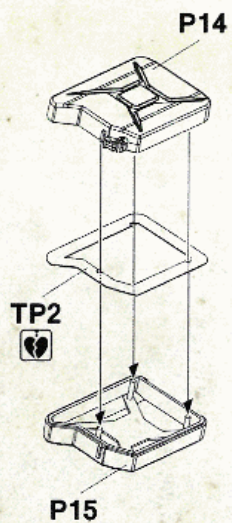
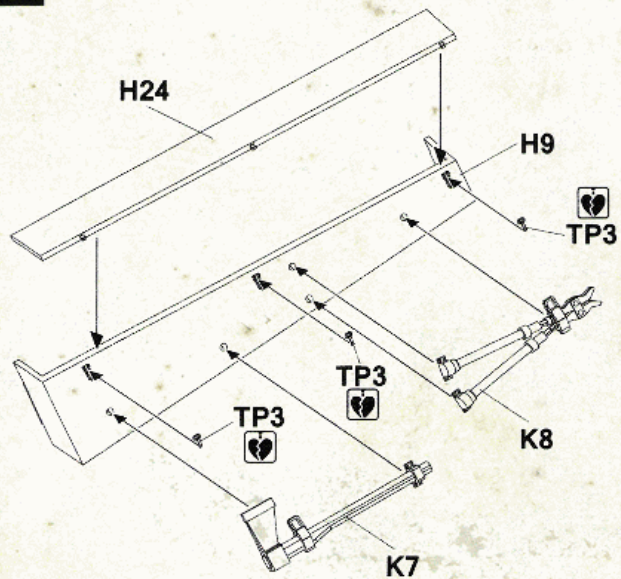


16

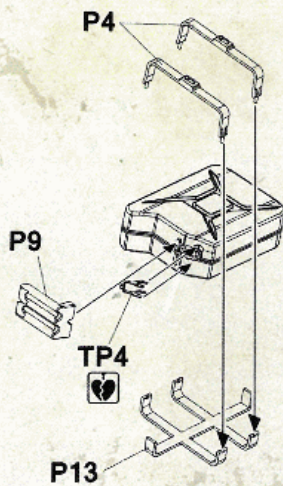


17

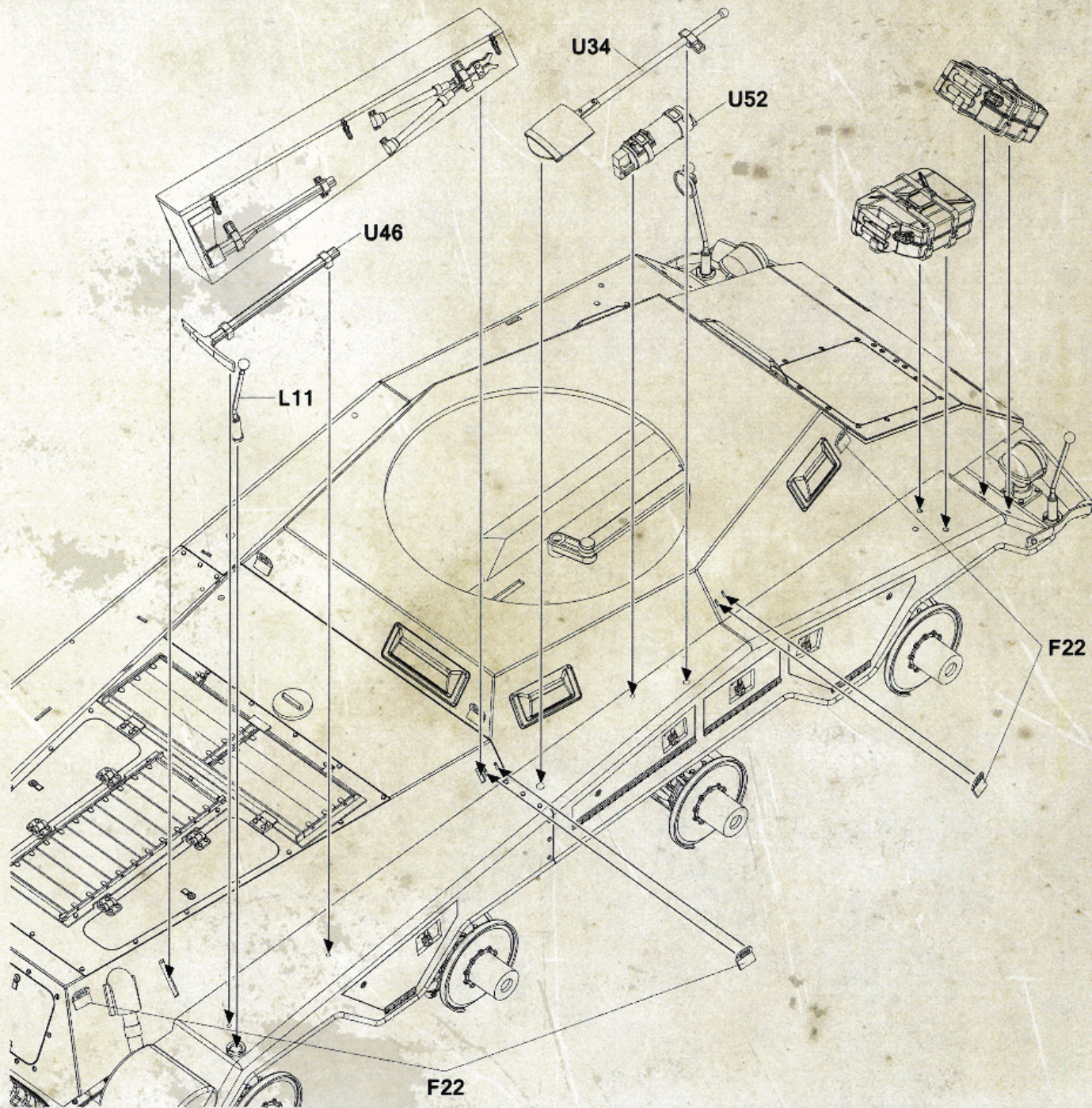


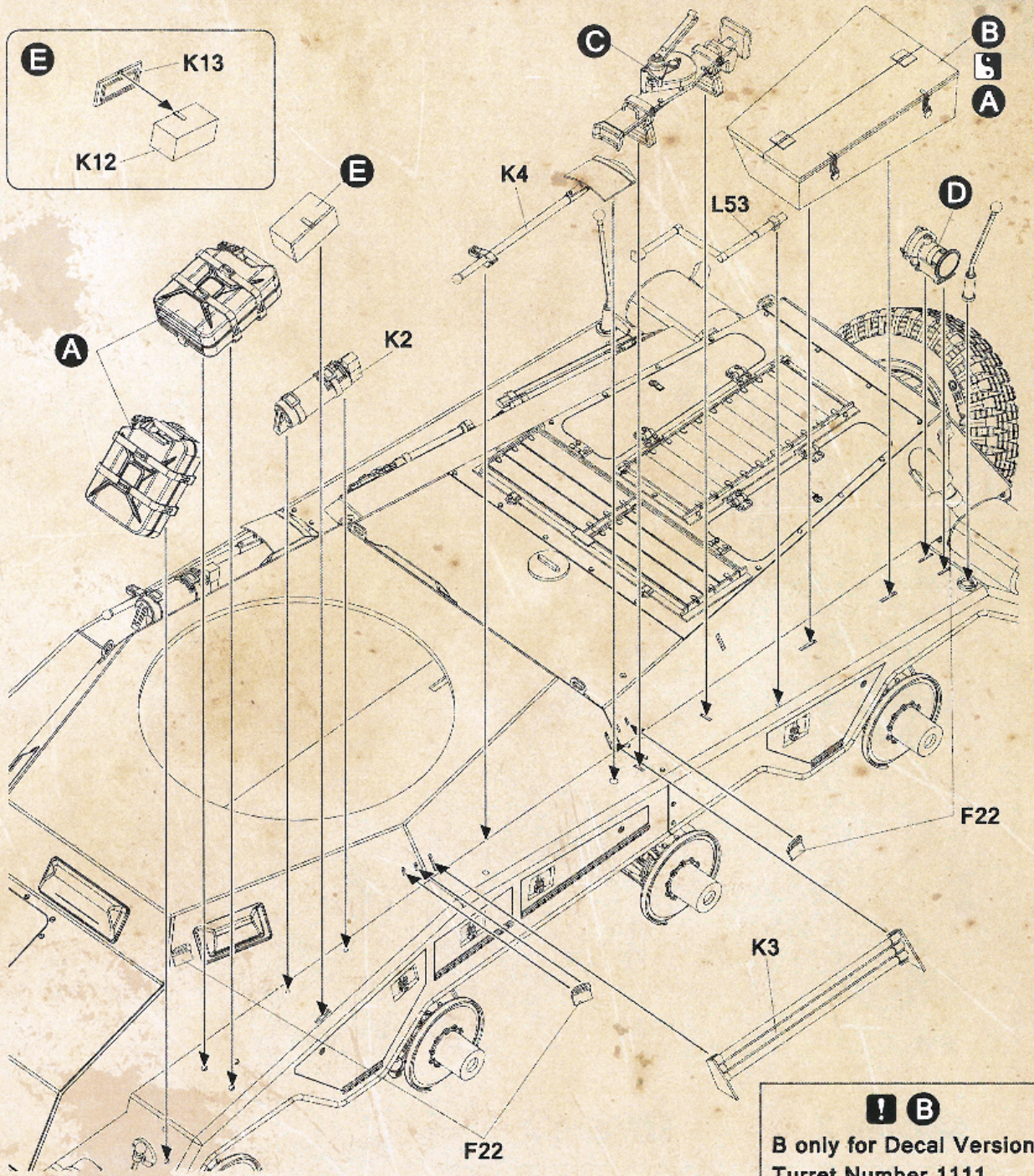
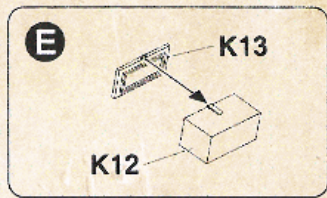
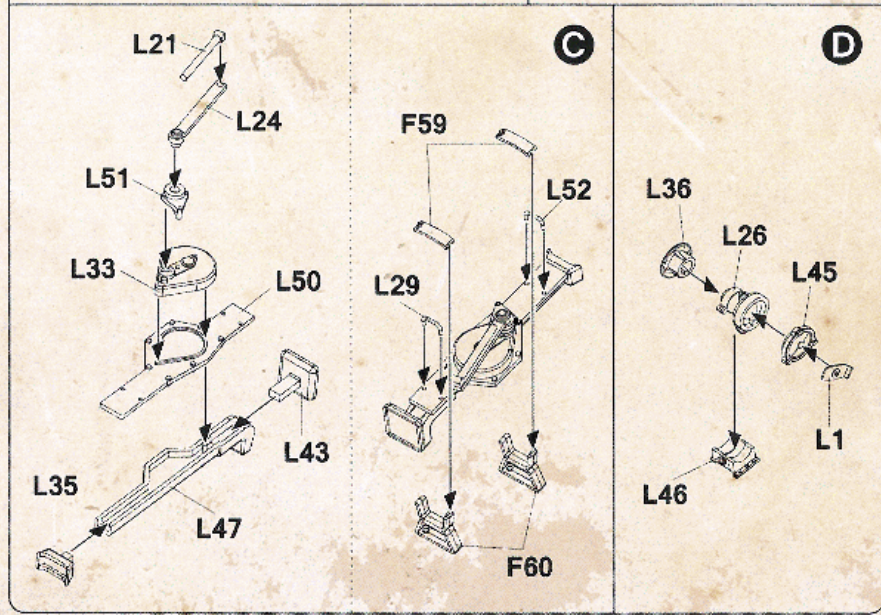
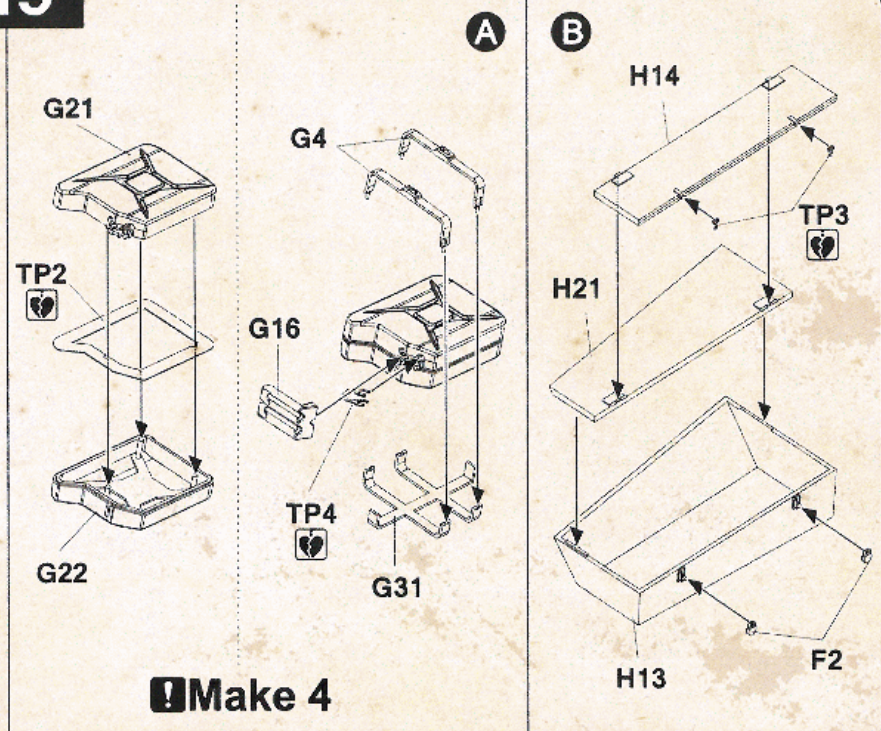


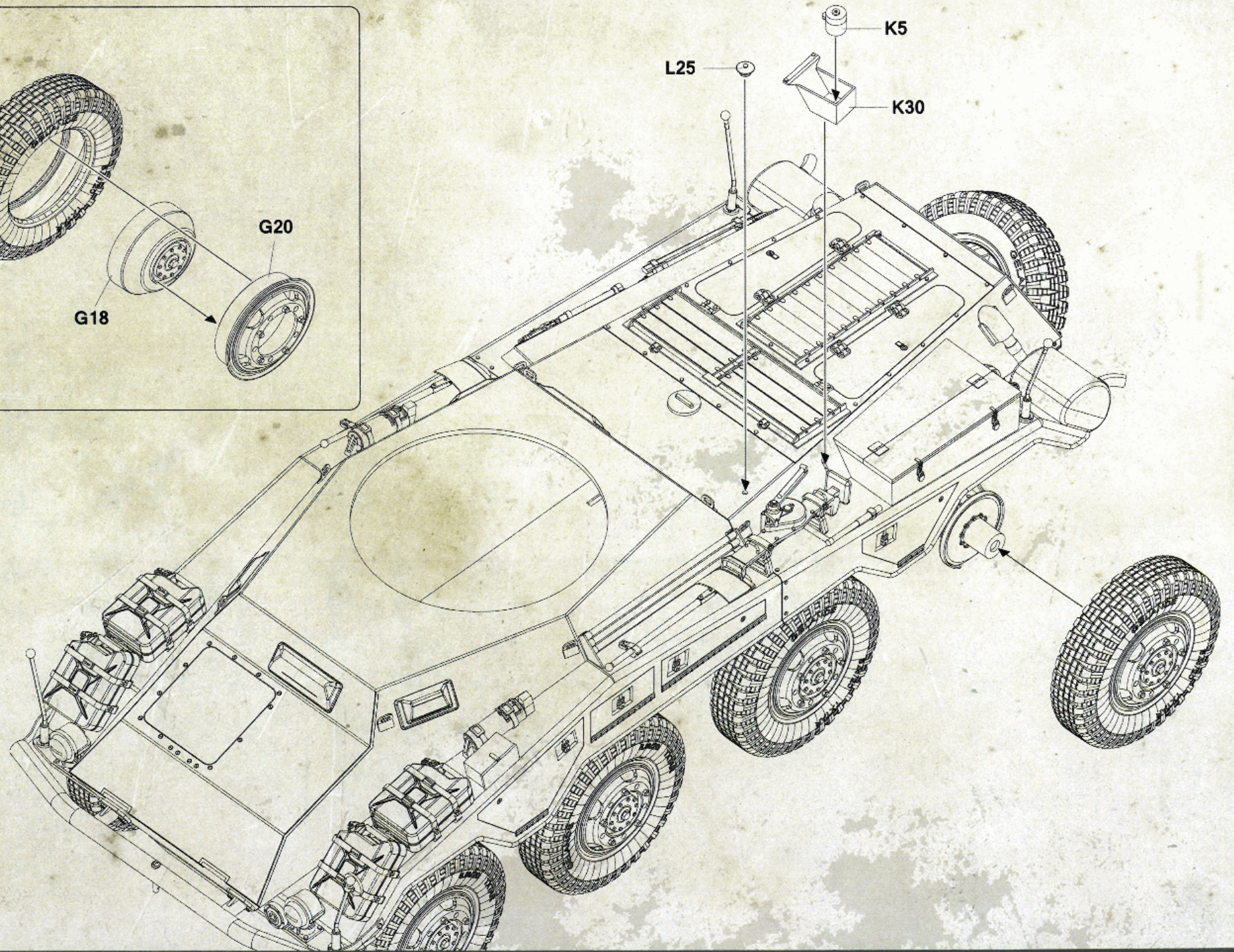
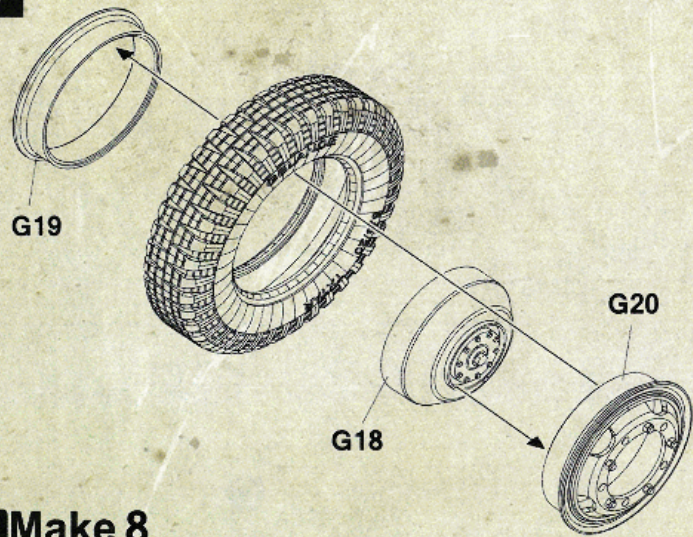
Make 2



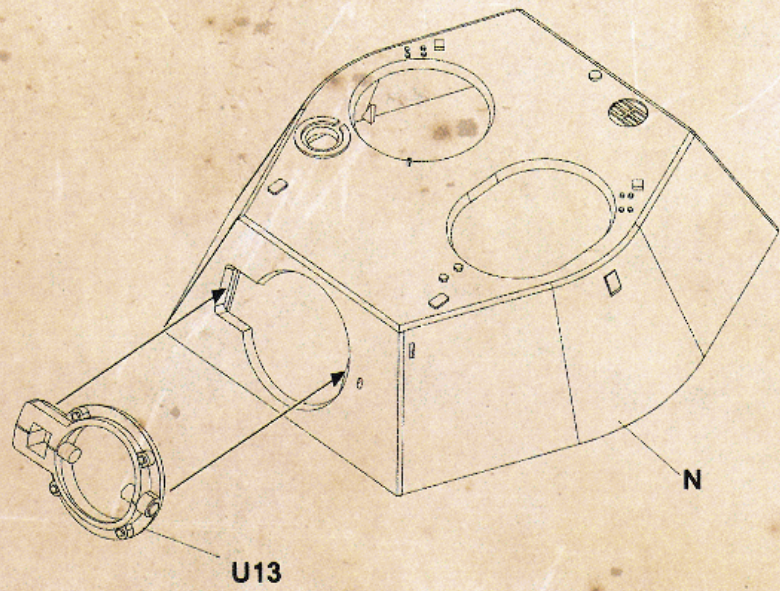
Make 2



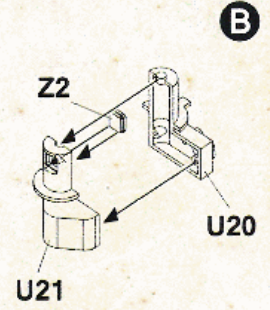
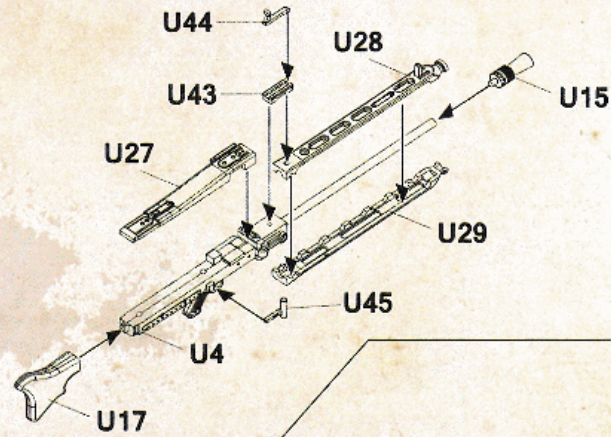




21

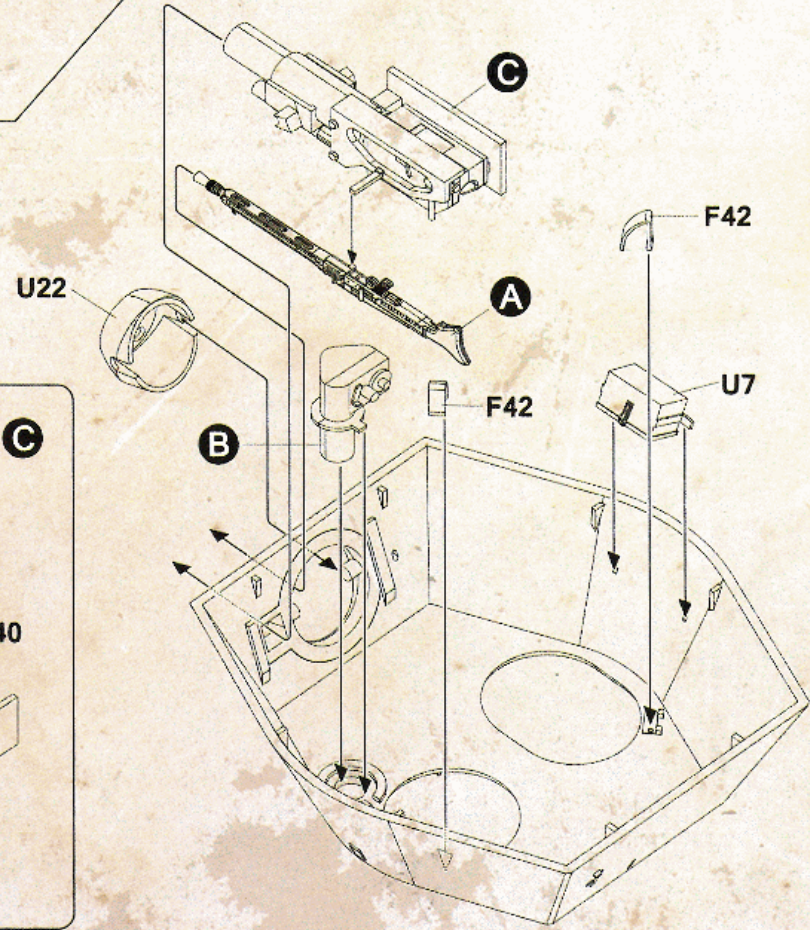


22



A

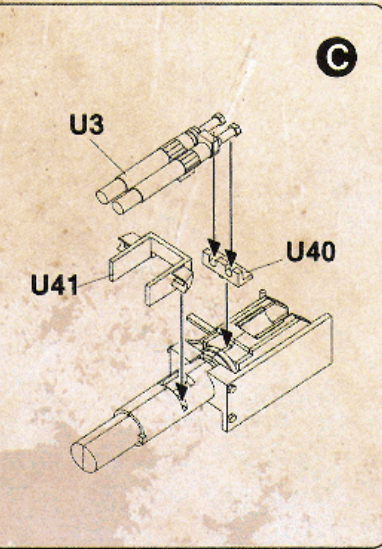
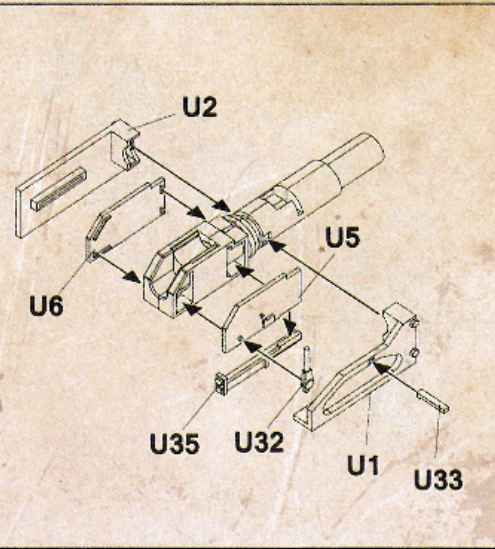
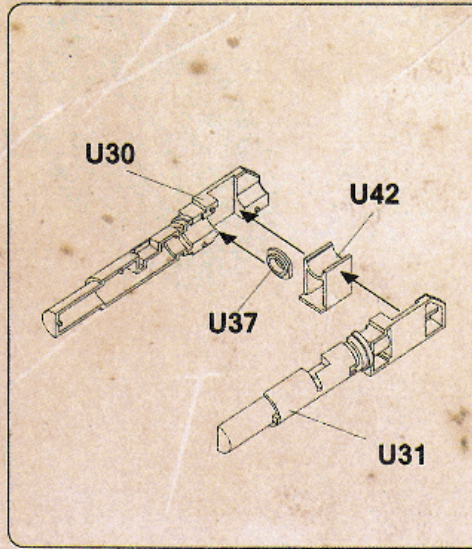
C



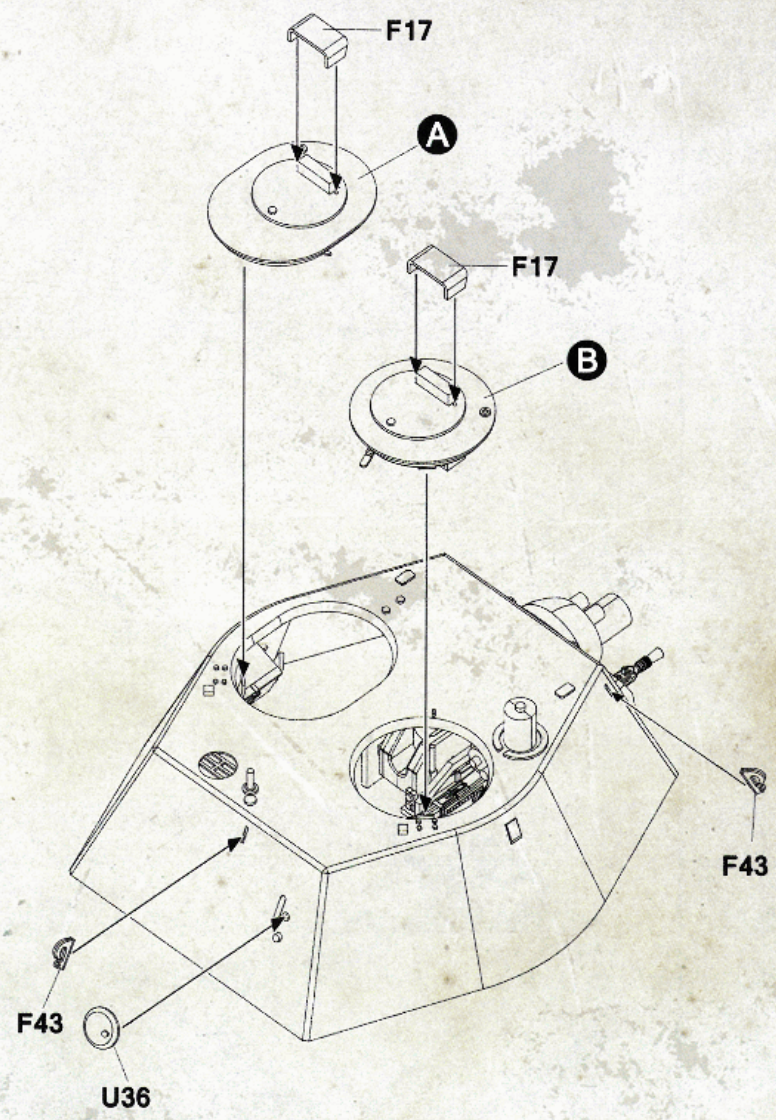
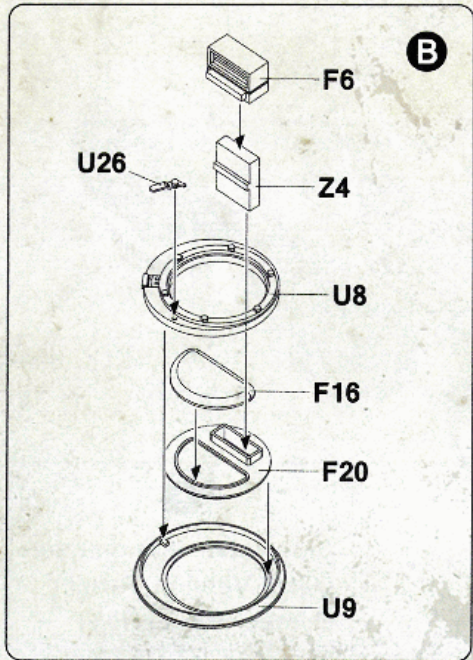
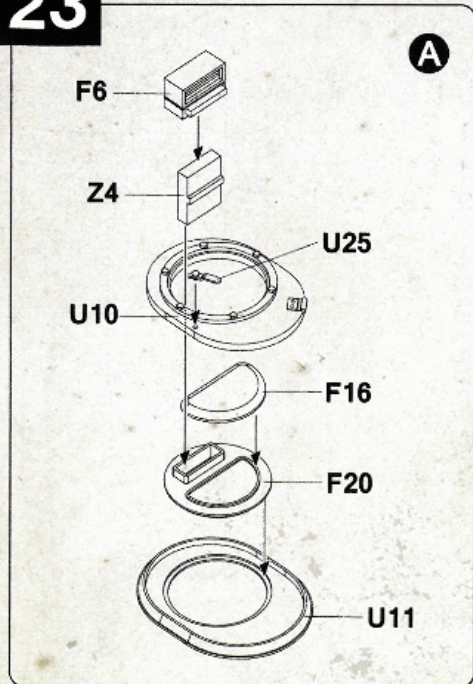
C

B

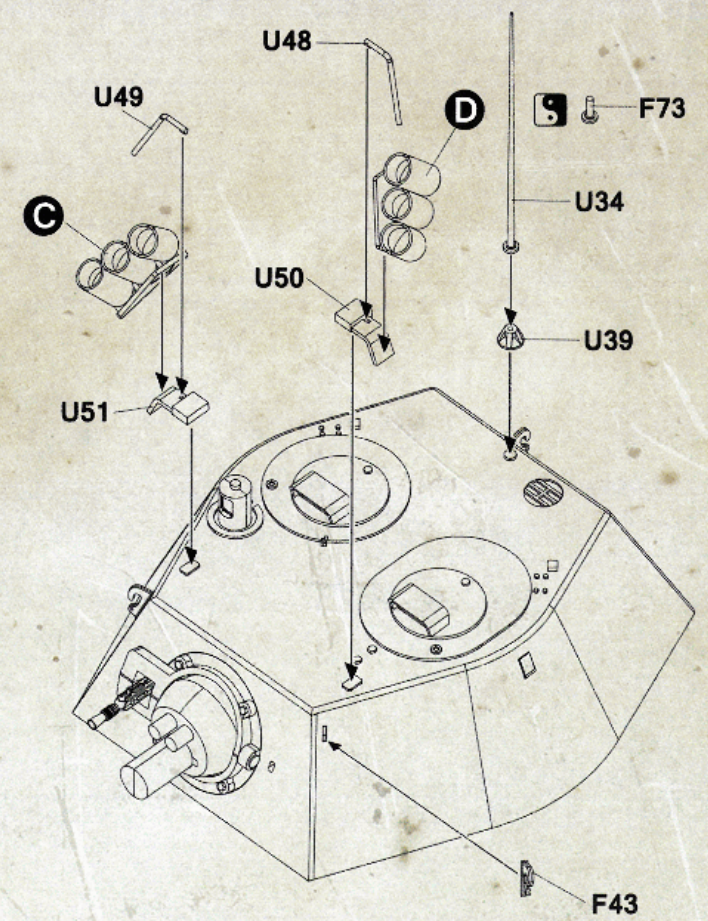
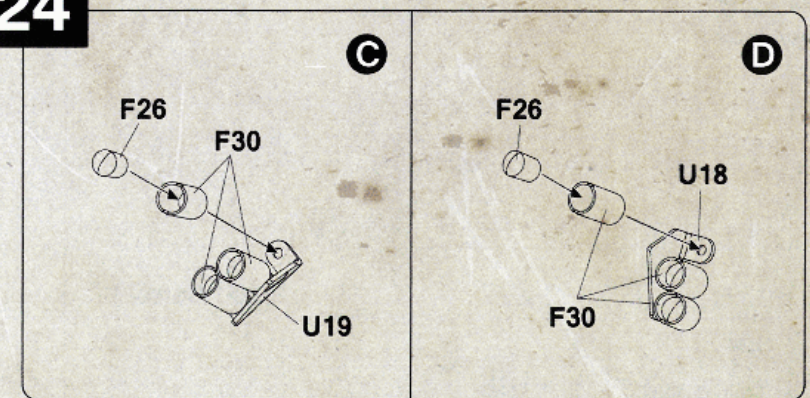
A



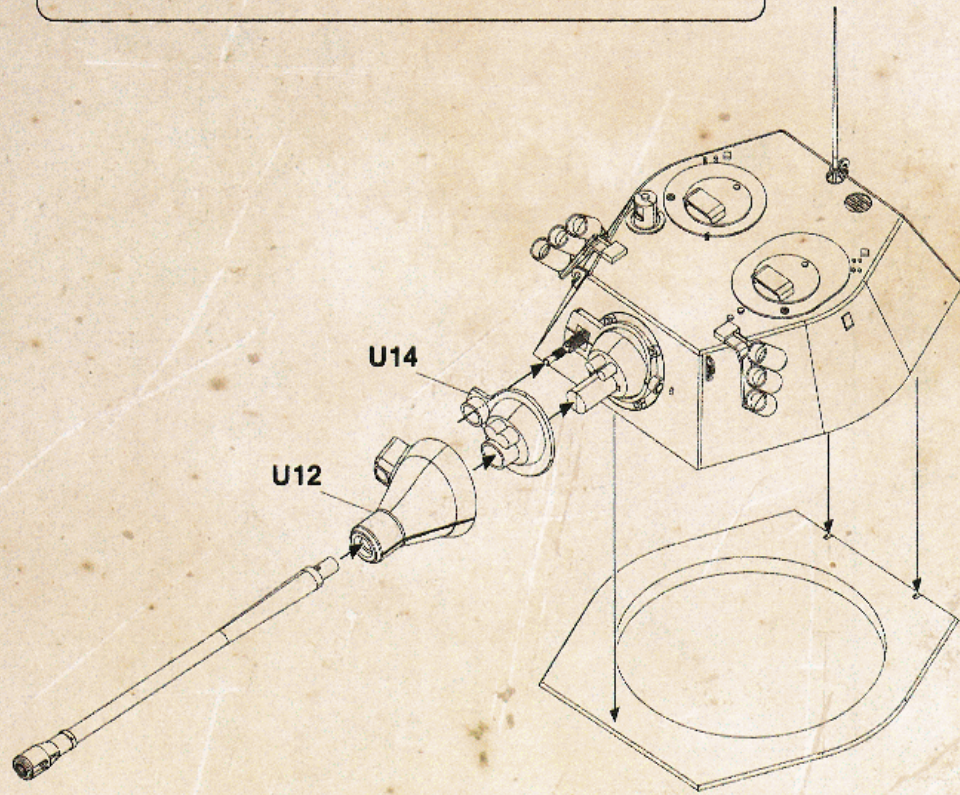
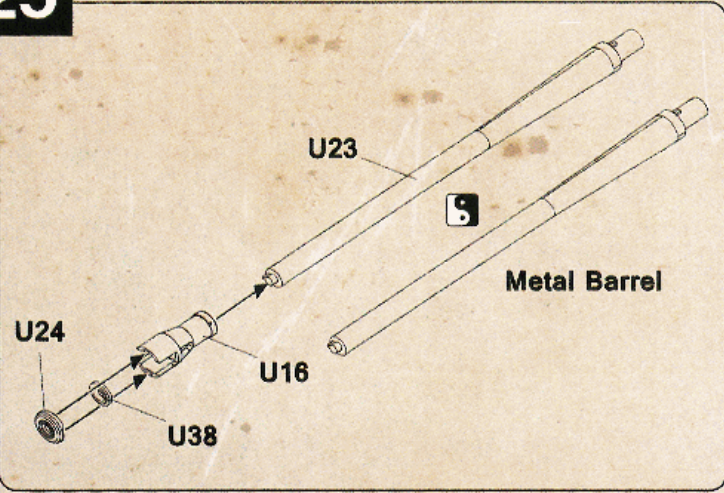
23



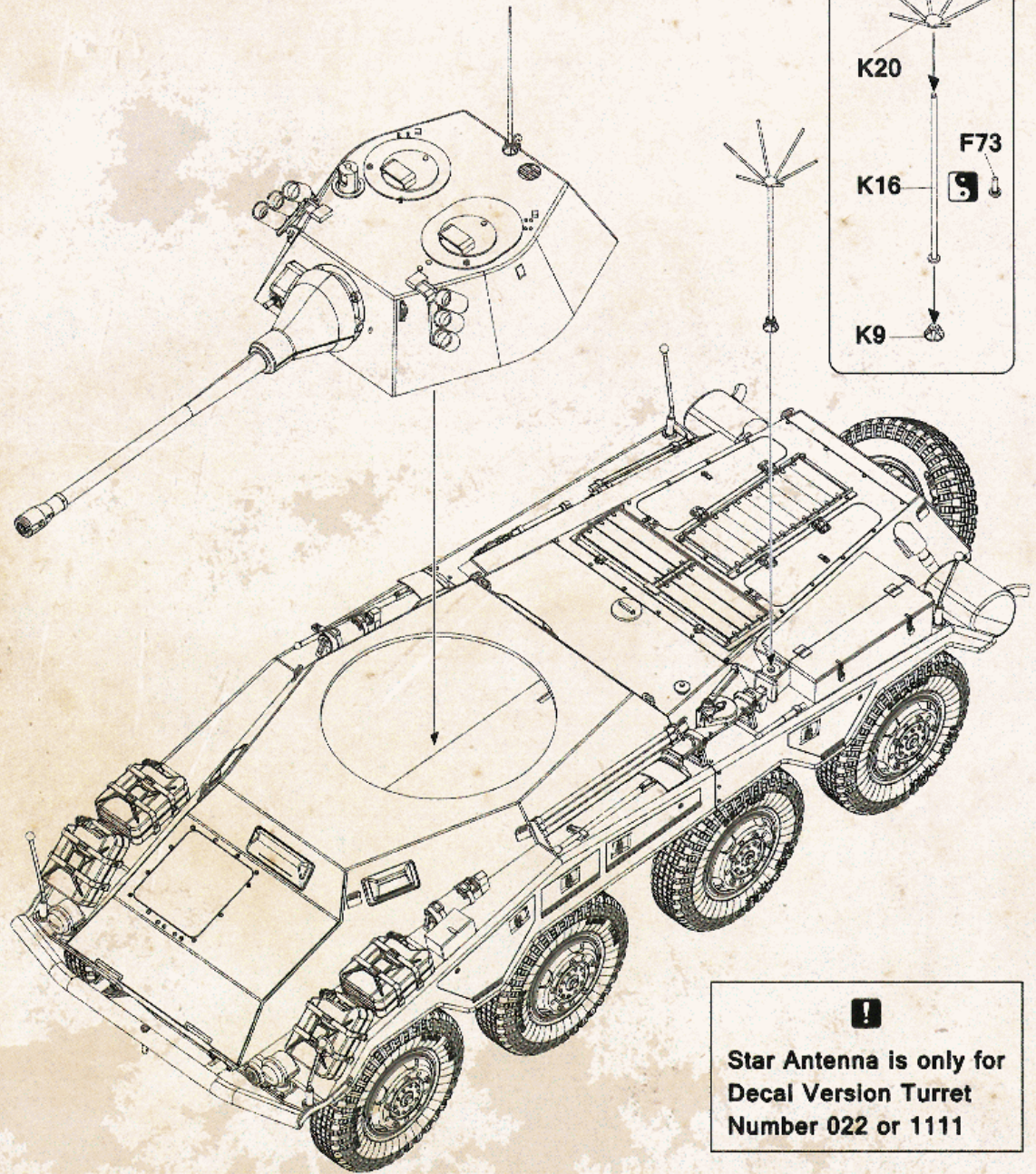
24



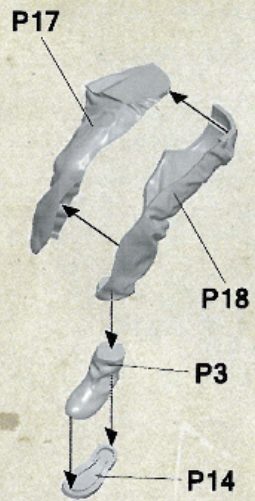
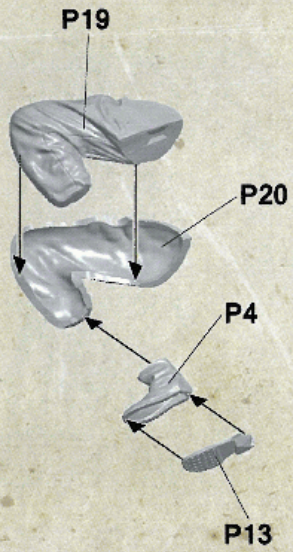
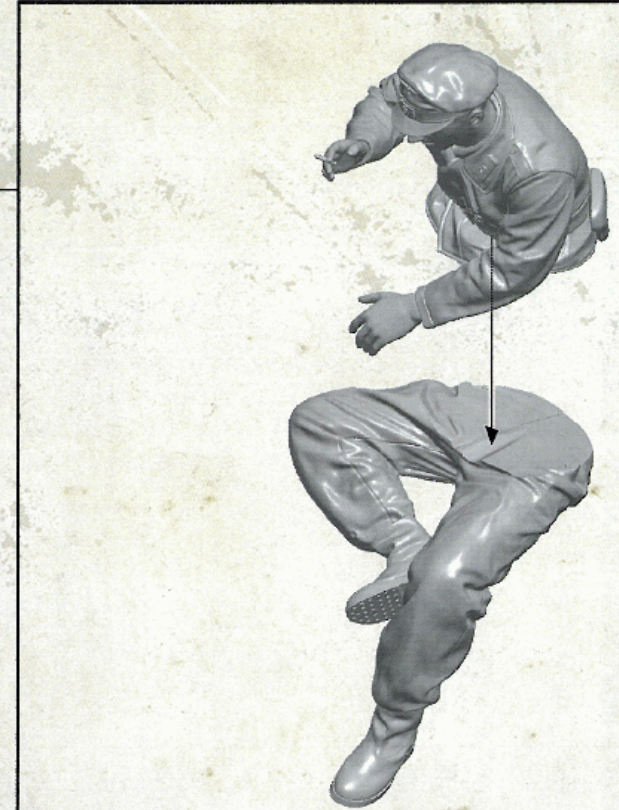
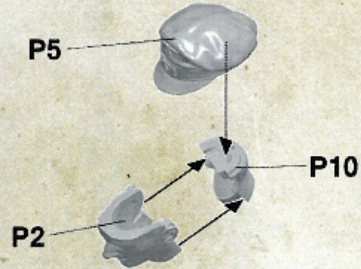
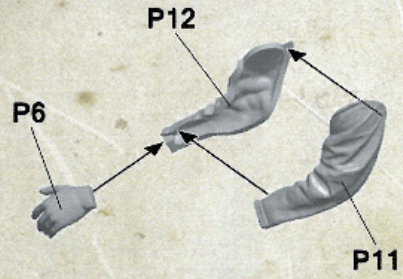
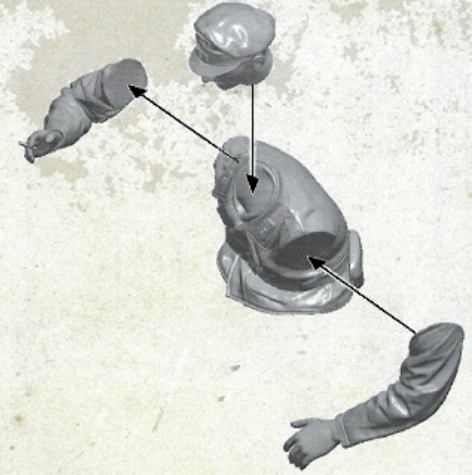
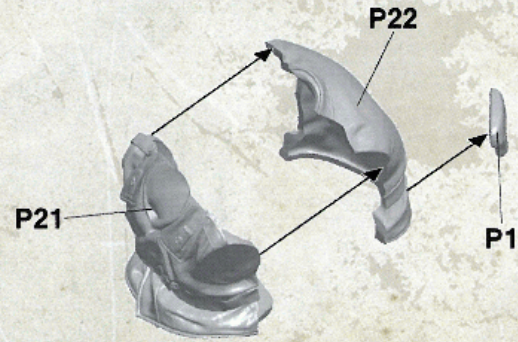
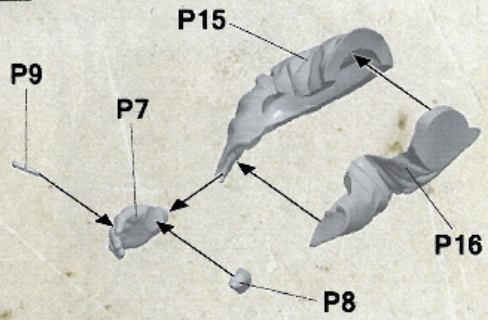
25



26



**!**  
 Star Antenna is only for  
 Decal Version Turret  
 Number 022 or 1111





# Sd.Kfz. 234/2 "Puma"

## Painting and Marking Guide

<b>A</b> A.MIG-F42 ATOM 20083	Field Grey	<b>B</b> A.MIG-0033 ATOM 20159	Rubber & Tires	<b>C</b> A.MIG-0045 ATOM 20157	Gun Metal	<b>D</b> A.MIG-0036 ATOM 20004	Old Metal
<b>E</b> A.MIG-0041 ATOM 20047	Dark Red	<b>F</b> A.MIG-0067 ATOM 20083	Dark Green	<b>G</b> A.MIG-0802 ATOM 20010	Overpaints Base	<b>H</b> A.MIG-0050 ATOM 20000	White

Panzer Lehr Division,  
Pz.Aufkl.L.Abt.130,  
Germany, 1944



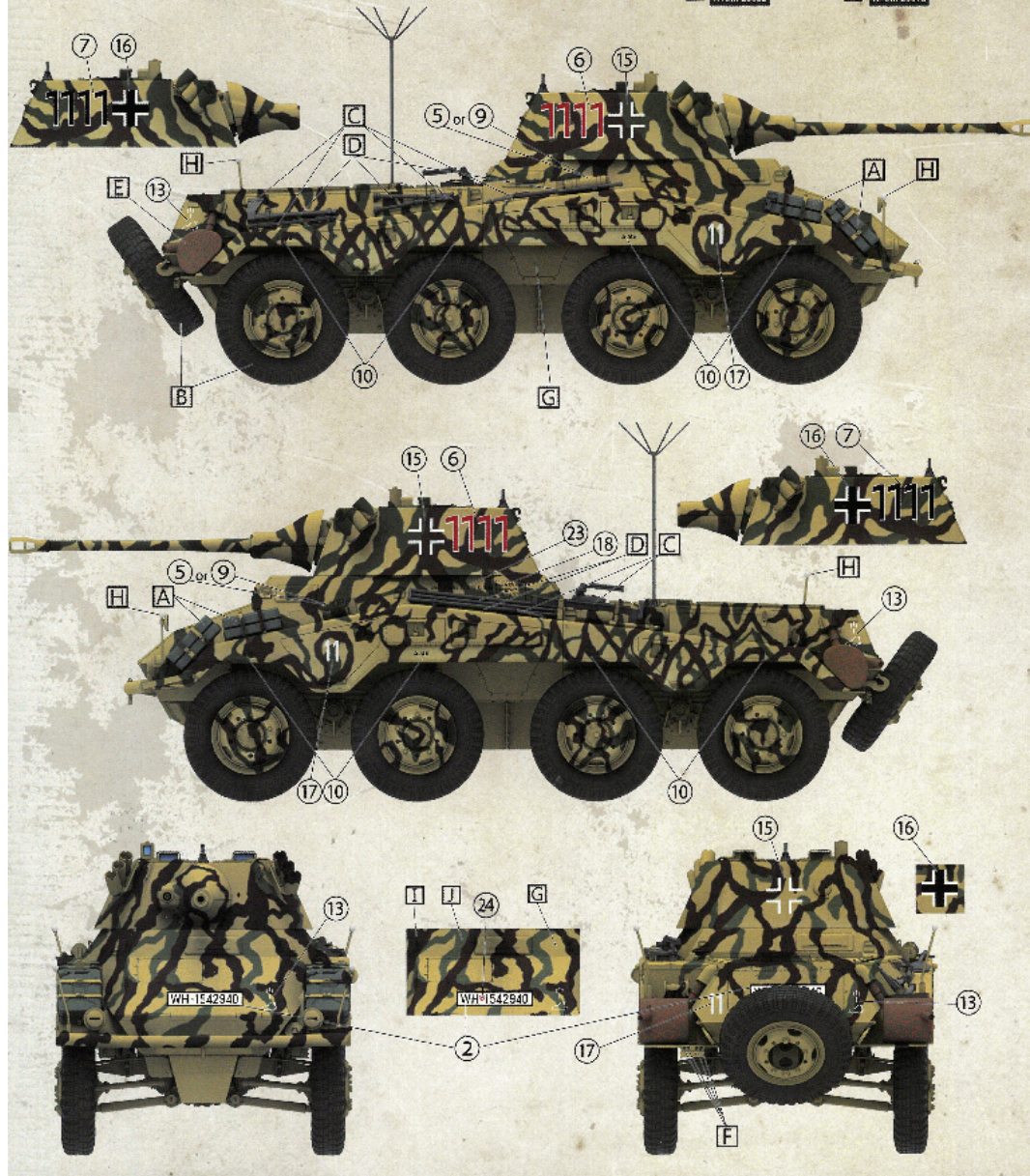


# Sd.Kfz. 234/2 "Puma"

## Painting and Marking Guide

2.Pz.Div., 1./Pz.Aufkl.Abt.2.  
Western Front, Normandy.  
Summer, 1944

- |                                   |                                   |                                   |                                   |
|-----------------------------------|-----------------------------------|-----------------------------------|-----------------------------------|
| <b>A</b> A.MIG-F12<br>ATOM 20089  | <b>B</b> A.MIG-0023<br>ATOM 20758 | <b>C</b> A.MIG-0016<br>ATOM 21116 | <b>D</b> A.MIG-0036<br>ATOM 21008 |
| <b>E</b> A.MIG-0041<br>ATOM 20347 | <b>F</b> A.MIG-0062<br>ATOM 20603 | <b>G</b> A.MIG-0002<br>ATOM 20013 | <b>H</b> A.MIG-0050<br>ATOM 20187 |
|                                   | <b>I</b> A.MIG-0015<br>ATOM 20362 | <b>J</b> A.MIG-0001<br>ATOM 20379 |                                   |





# Sd.Kfz. 234/2 "Puma"

## Painting and Marking Guide

20.Pz.Div., Pz.Aufkl.Abt.20.  
Eastern Front, Neisse, Silesia,  
March, 1945

- A A.MIG-F512 ATOM 201811 Field Grey
- B A.MIG-0053 ATOM 20159 Ironstone & Iron
- C A.MIG-0045 ATOM 20167 Gun Metal
- D A.MIG-0036 ATOM 20004 Dark Red
- E A.MIG-0041 ATOM 20047 Dark Red
- F A.MIG-0052 ATOM 20083 Dark Green
- G A.MIG-0902 ATOM 20010 Dark Blue-Grey
- H A.MIG-0050 ATOM 20167 White
- I A.MIG-0015 ATOM 20062 Black/Grey
- J A.MIG-0001 ATOM 20079 Olive Green





# Sd.Kfz. 234/2 "Puma"

## Painting and Marking Guide

7.Pz.Div., Pz.Aufkl.Abt.7.  
Western Pomerania, Gotenhafen/Danzig,  
March, 1945

- A A.MIG-FB12  
ATOM 20399 Halo Grey
- B A.MIG-0033  
ATOM 20156 Huber & Tins
- C A.MIG-0945  
ATOM 20167 Gun Metal
- D A.MIG-0008  
ATOM 20094 Oki White
- E A.MIG-0041  
ATOM 20047 Dark Red
- F A.MIG-0052  
ATOM 20063 Dark Green
- G A.MIG-0902  
ATOM 20010 Du Kalgo Basso
- H A.MIG-0050  
ATOM 20167 Anthr.
- I A.MIG-0014  
ATOM 20046 Rothbraun
- J A.MIG-0001  
ATOM 20078 Olivgrün
- K A.MIG-0024  
ATOM 20177 Washbare White



# Das Werk

Check out other great kits from us:



DW16022 - Sd.Kfz.251/22 (1:16)



DW35039 - Eagle IV EKT/FüPers (1:35)



DW35012 - Trippel SG 6/38 (1:35)



DW35024 - 8,8cm Flak auf VOMAG (1:35)



DW35031 - Kanonenjagdpanzer (1:35)



DW16005 - Sd.Kfz.251/1 (1:16)