



Sd.Kfz. 251/22 Ausf.D „Pakwagen“

DW16022



AMIG/ATOM		Color Name
0046 / 20163	A	Black
0195 / 20166	B	Silver
0902 / 20012	C	Dunkelgelb
0014 / 20042	D	Rotbraun
0001 / 20067	E	Olivgrün
0090 / 20090	F	White
0133 / 20058	G	Leather
0045 / 20167	H	Gun Metal
0096 / 20004	I	Wood
0092 / -	J	Transparent Green
0049 / 20049	K	Red
0188 / 20142	L	Hellgrau

AMIG/ATOM		Color Name
F510 / 20080	M	Field Grey
0042 / 20047	N	Rust
0033 / 20159	O	Rubber
0132 / 20011	P	Canvas
0052 / 20145	Q	Blue Grey
0913 / 20053	R	Bakelit
0035 / 20053	S	Dark Tracks
0008 / 20161	T	Dunkelgrau
0197 / 20173	U	Brass
0048 / 20018	V	Yellow
0015 / 20052	W	Schokoladenbraun

READ BEFORE ASSEMBLY

CAUTION

- Read carefully and fully understand the instructions before commencing assembly. A supervising adult should also read the instructions if a child assembles the model.
- When assembling this kit, tools including knives used. Extra care should be taken to avoid personal injury.
- Keep out of reach of small children. Children must not be allowed to suck any part, or pull vinyl bag over their heads.



Optional



Instant Glue for Metal

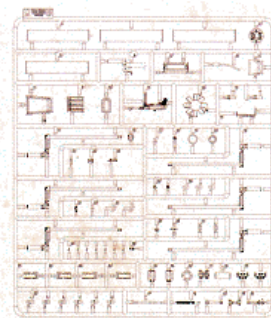
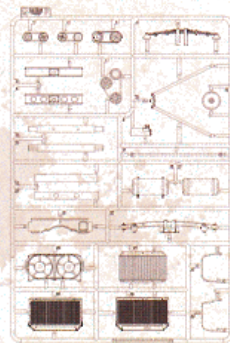
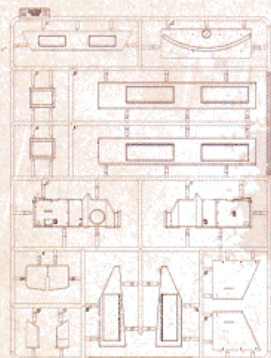
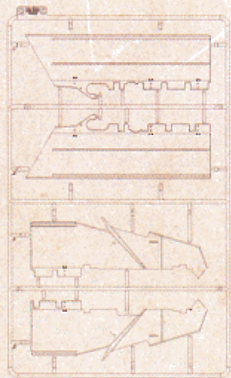
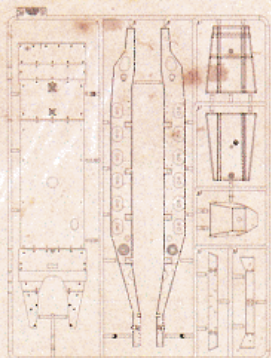


Do Not Cement

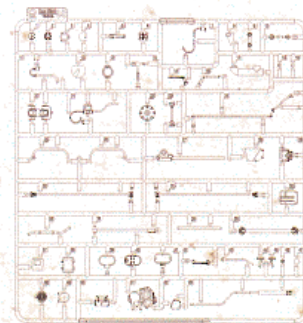


Be Careful

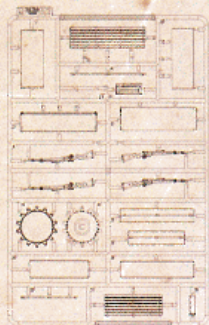
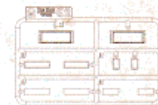
PARTS



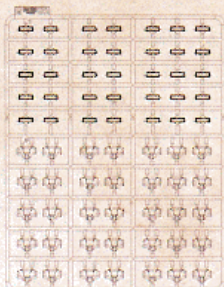
X2



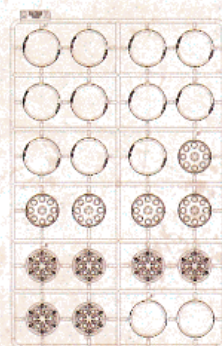
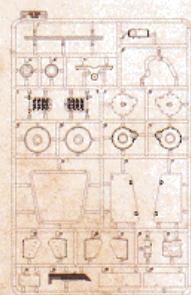
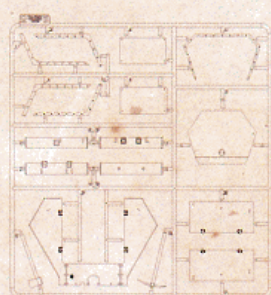
X2



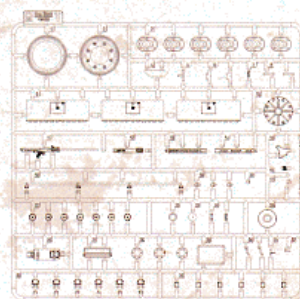
X2



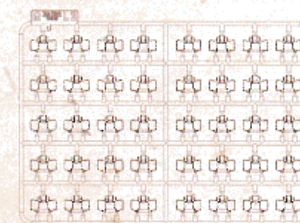
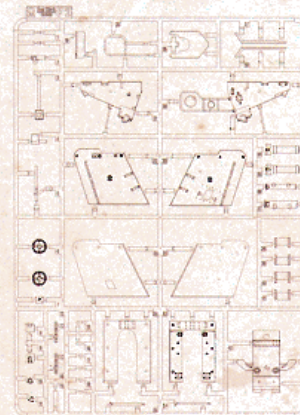
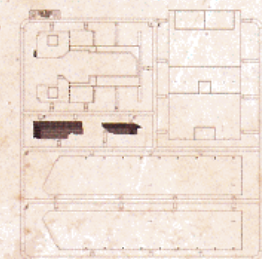
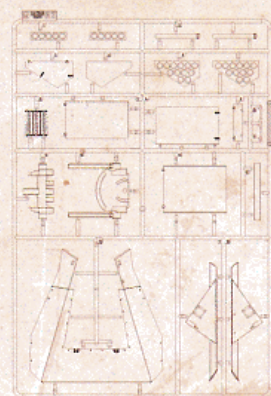
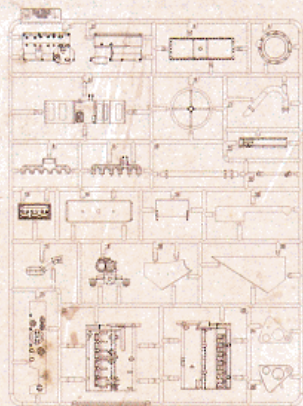
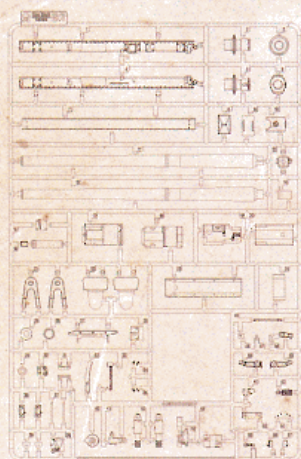
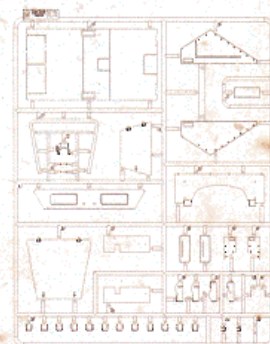
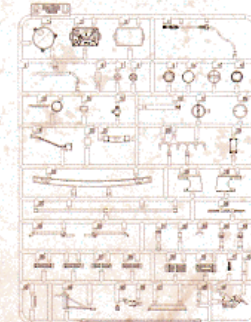
X4



X3



X2



X3



X2



Metal Barrel



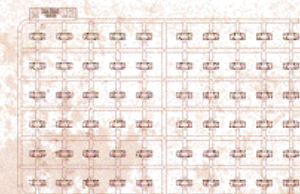
X2



TP



B2

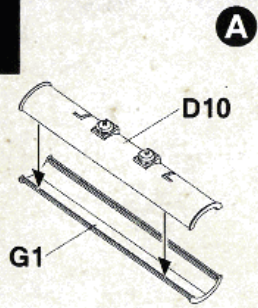
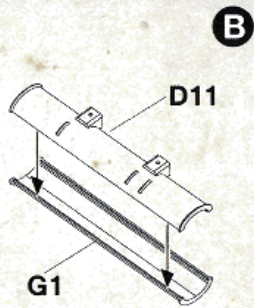
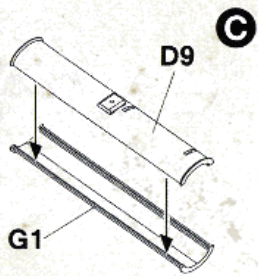
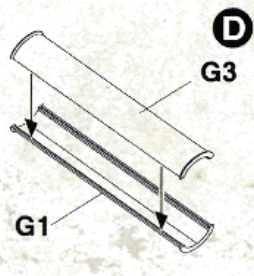
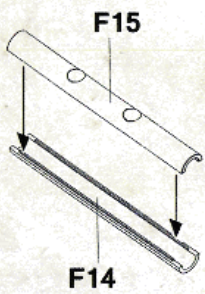
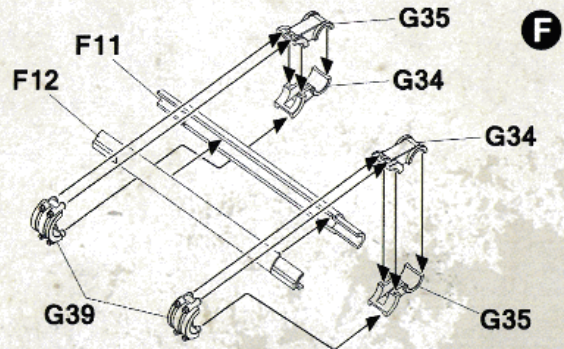
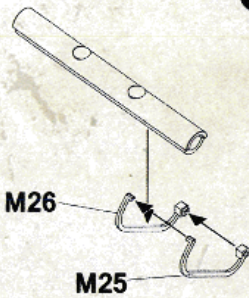
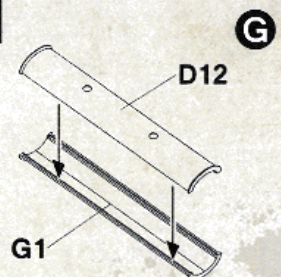
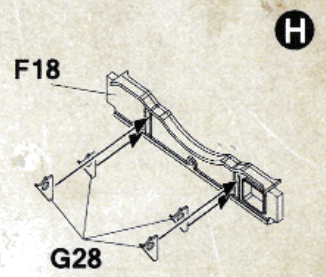
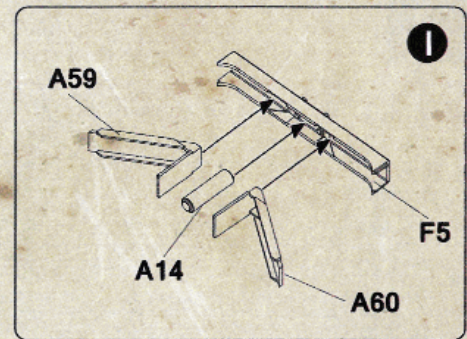
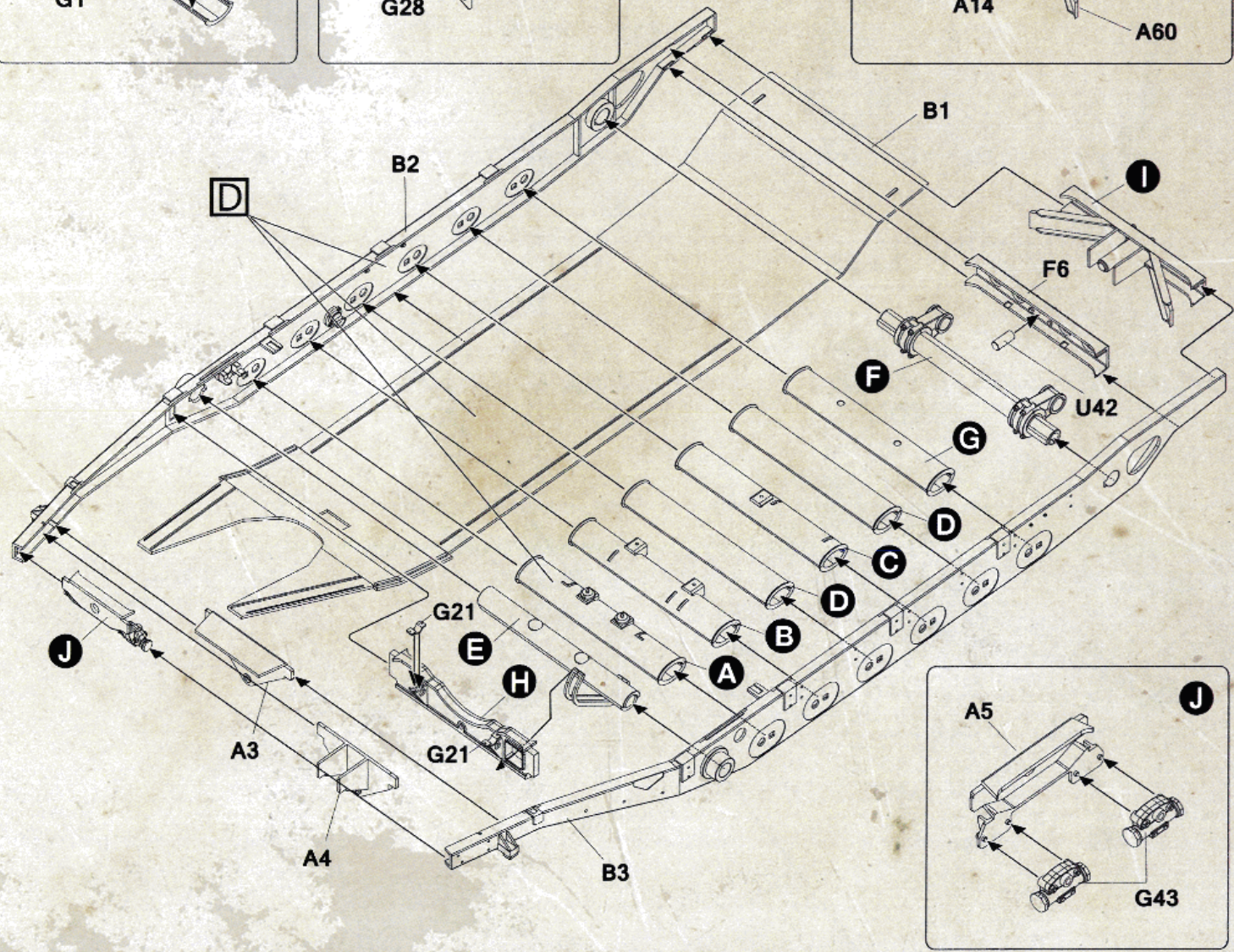


X2

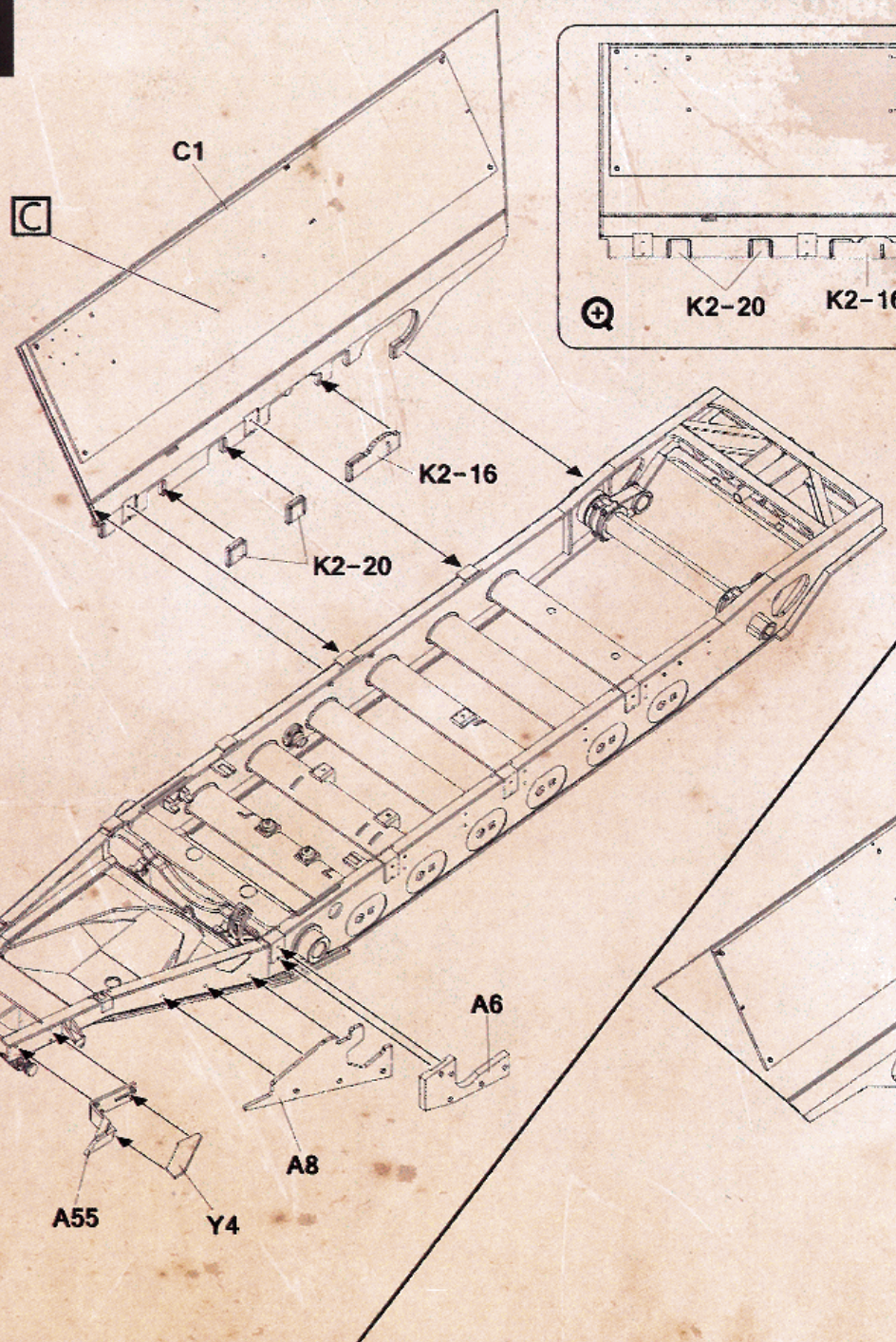


443 443 443

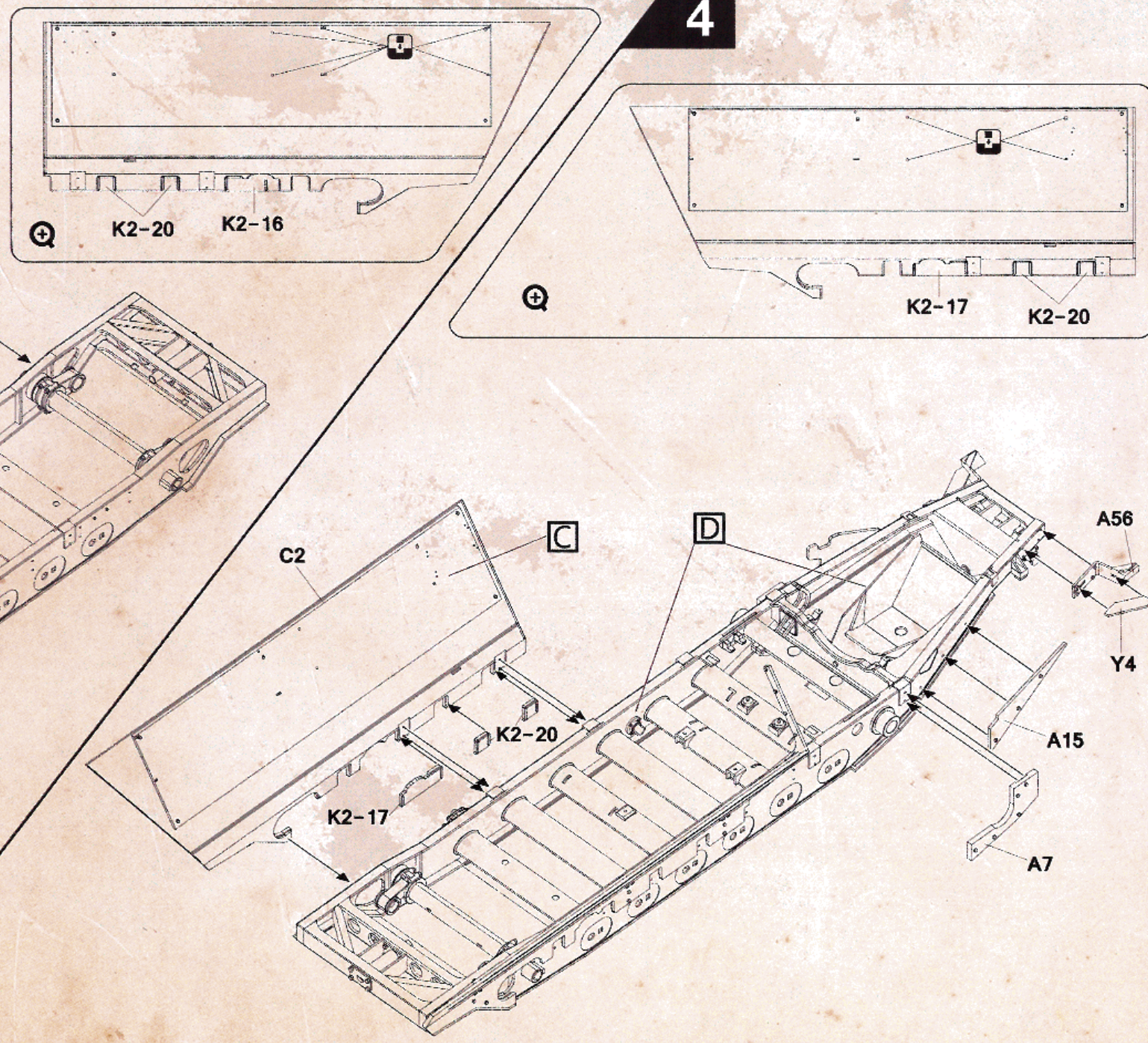
Decal

1**A****B****C****D****Make 2****E****F****2****G****H****I****3**

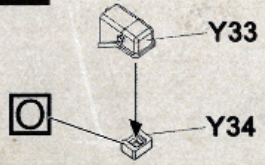
3



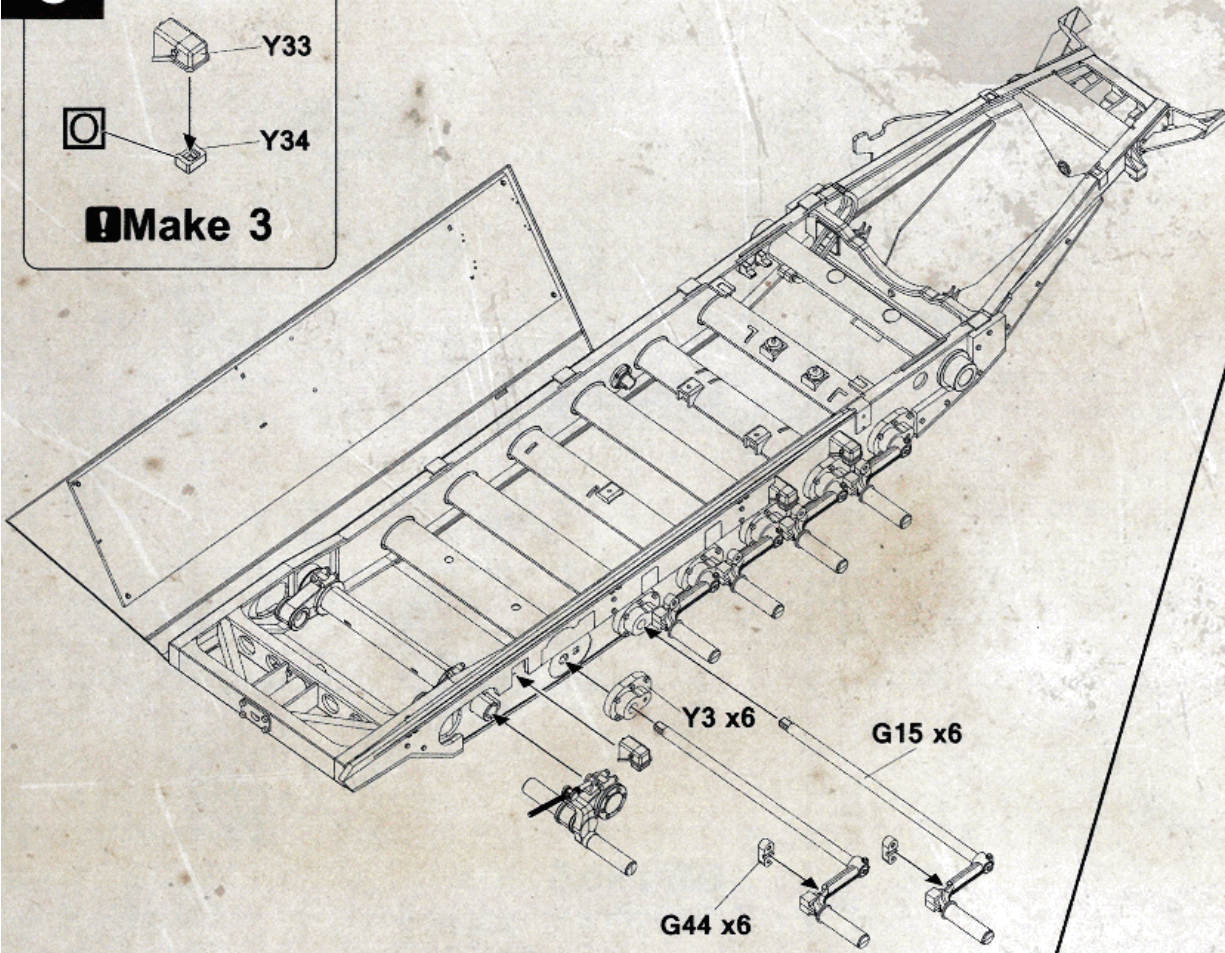
4



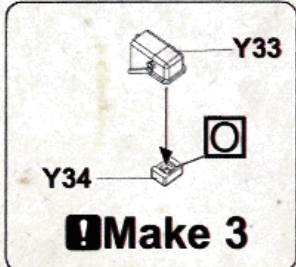
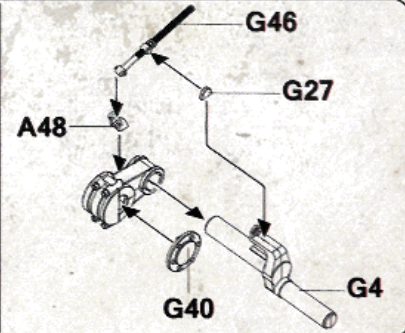
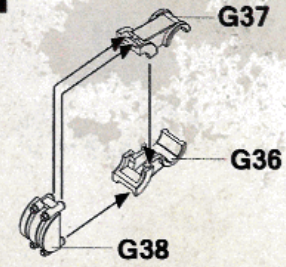
5



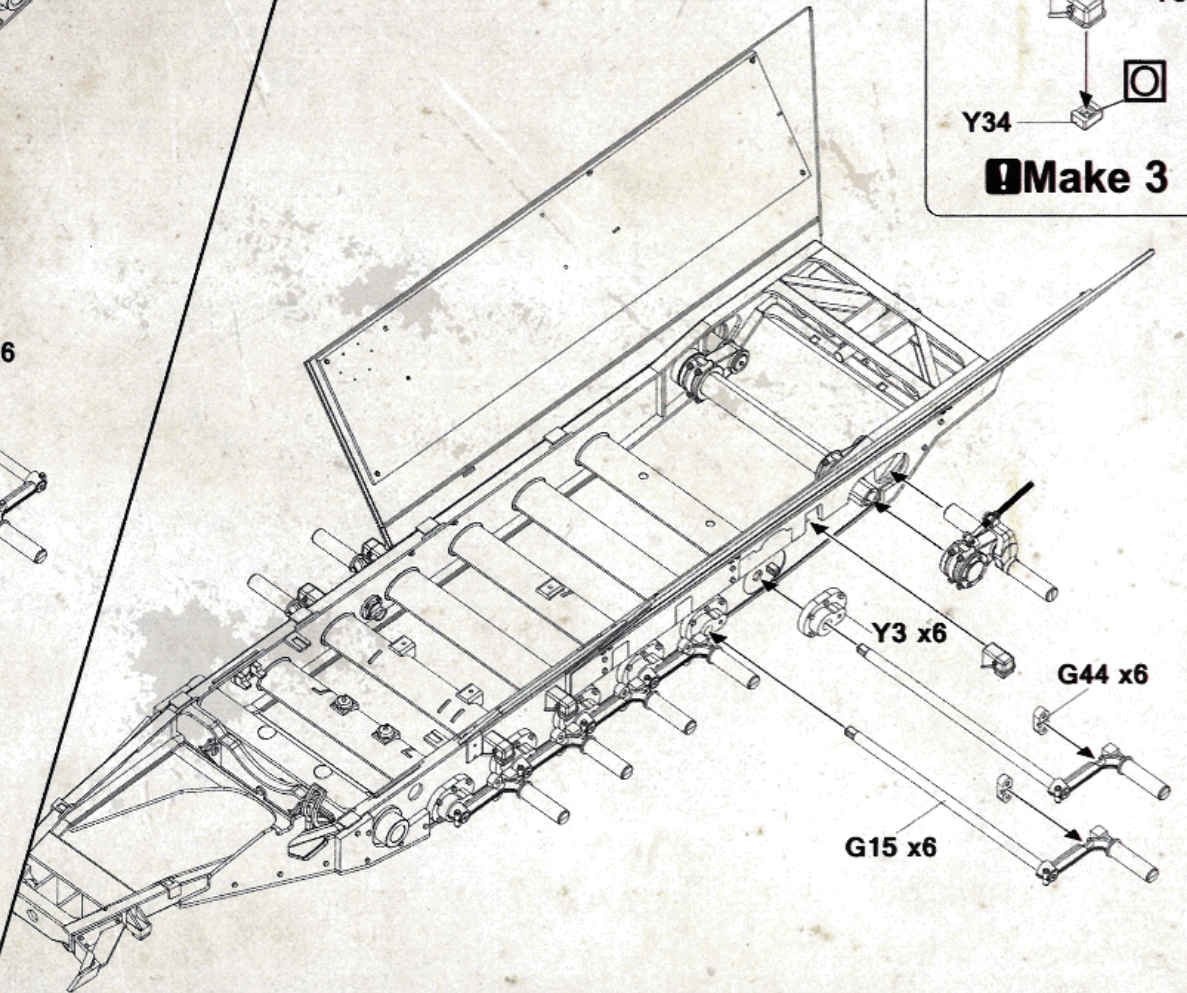
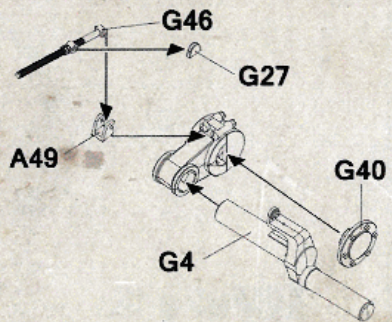
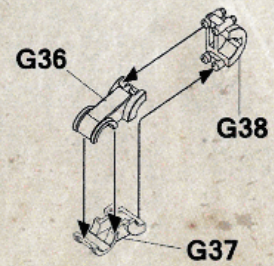
Make 3



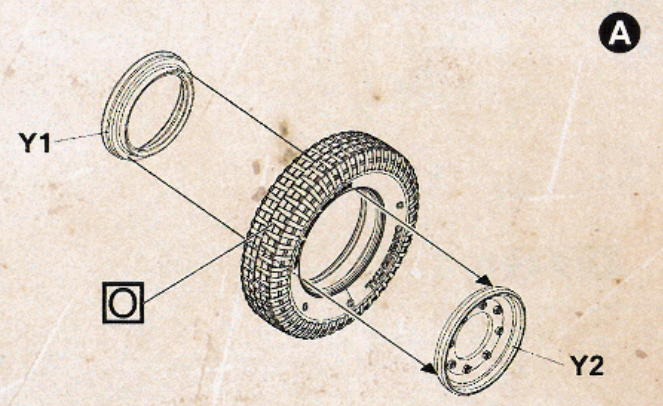
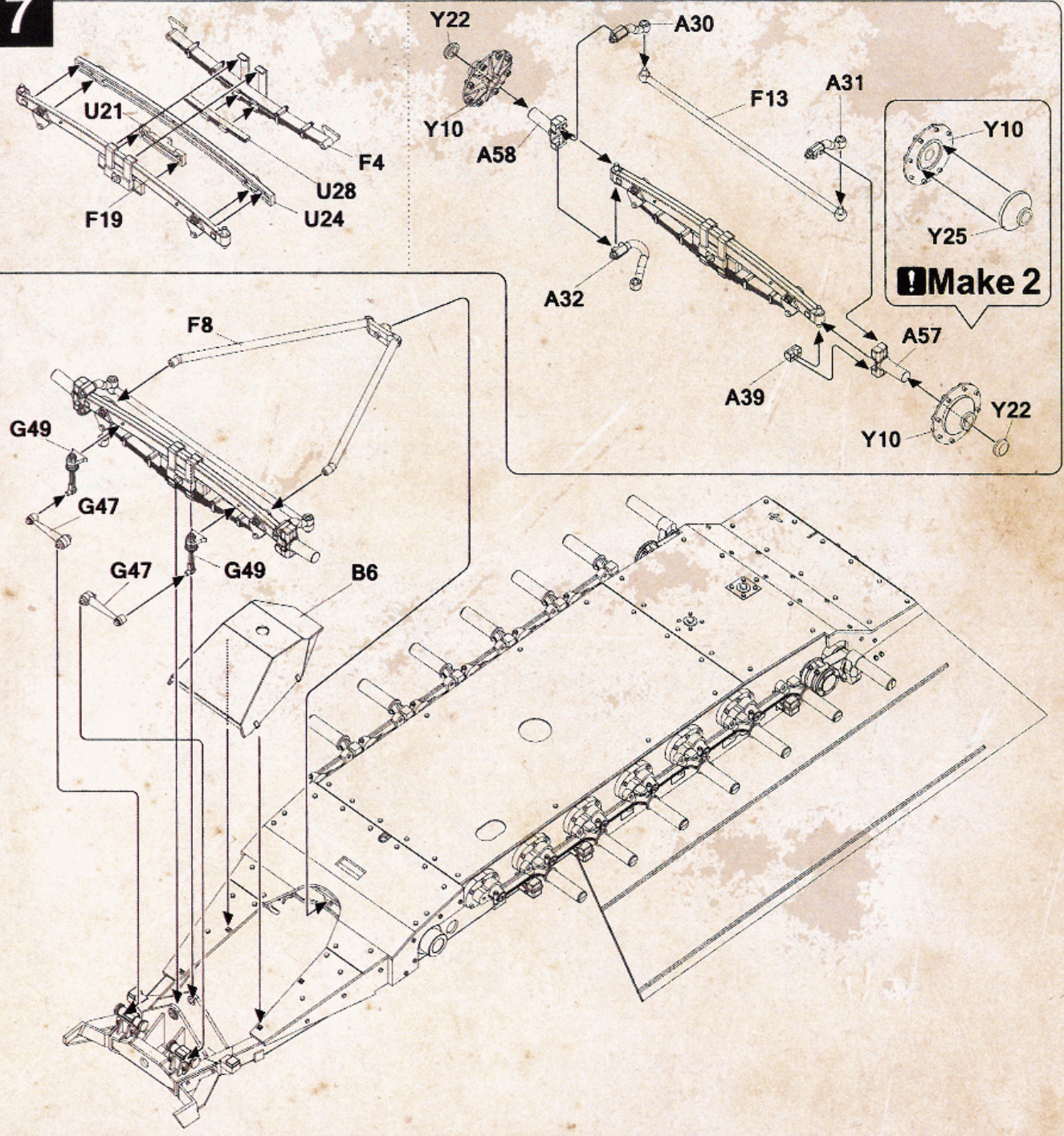
6



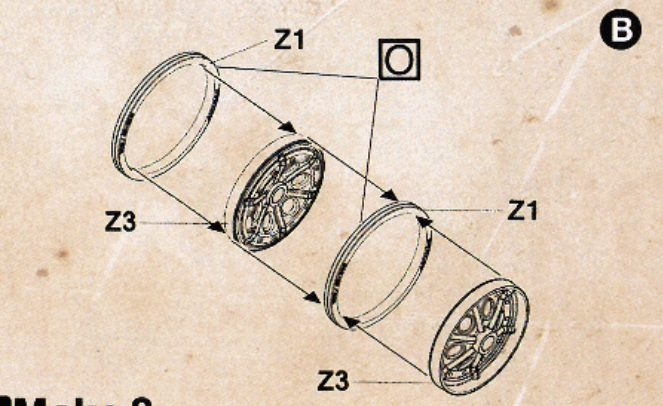
Make 3



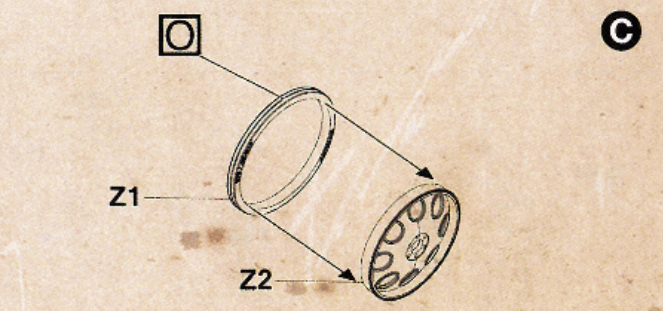
7



Make 2

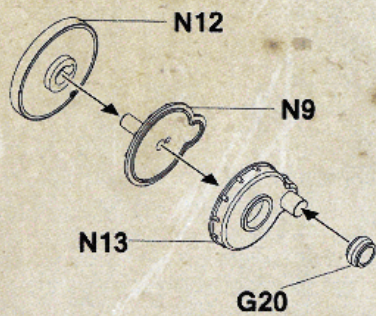


Make 8

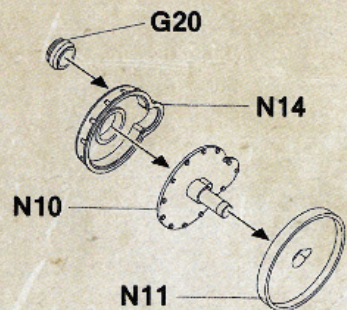


Make 12

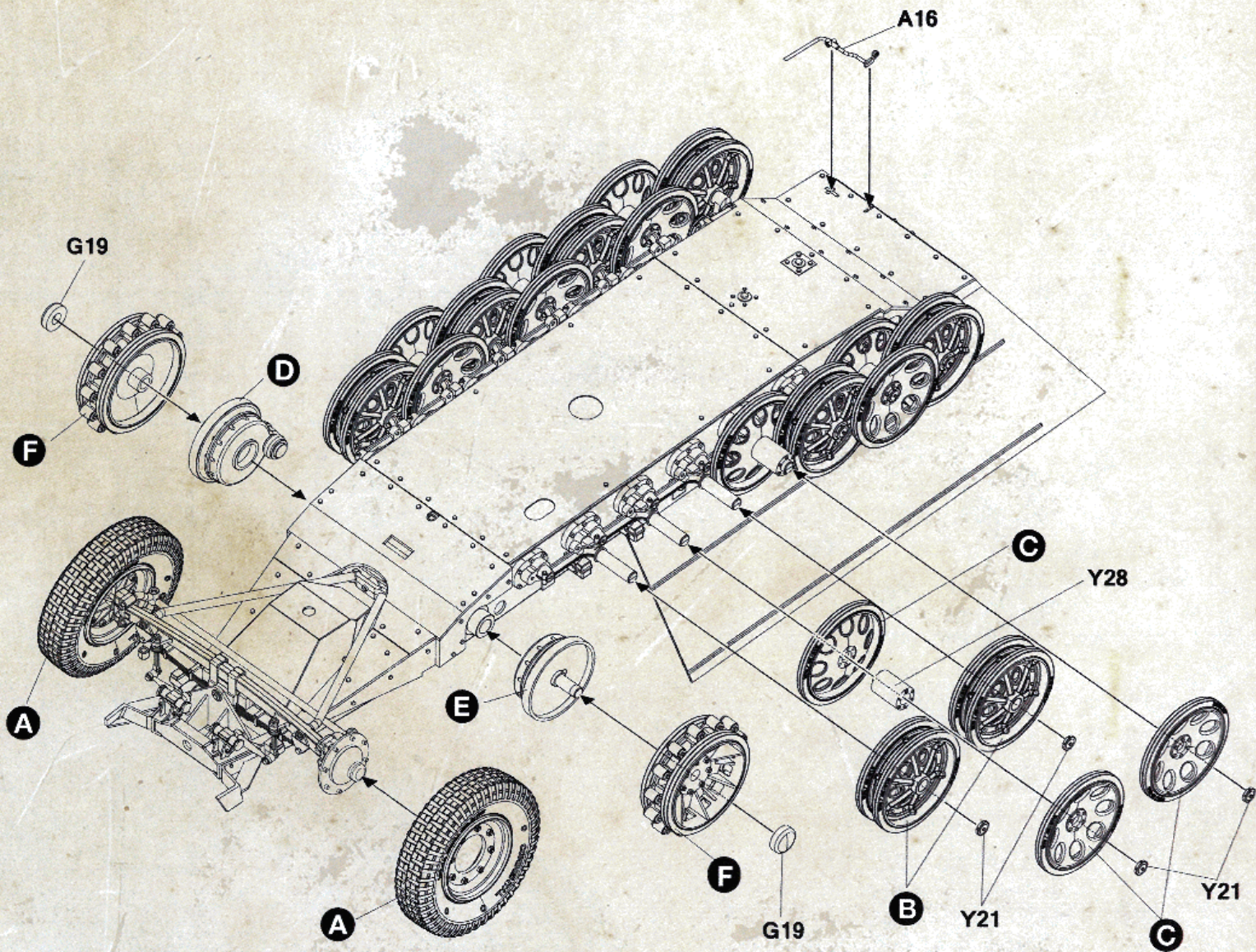
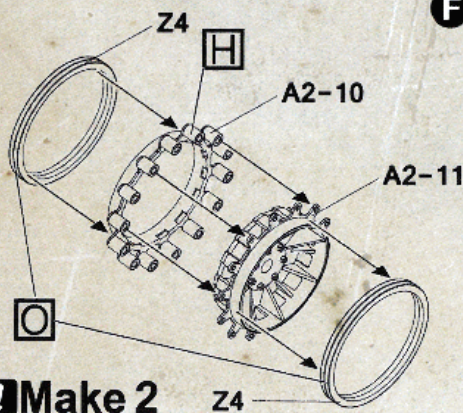
D

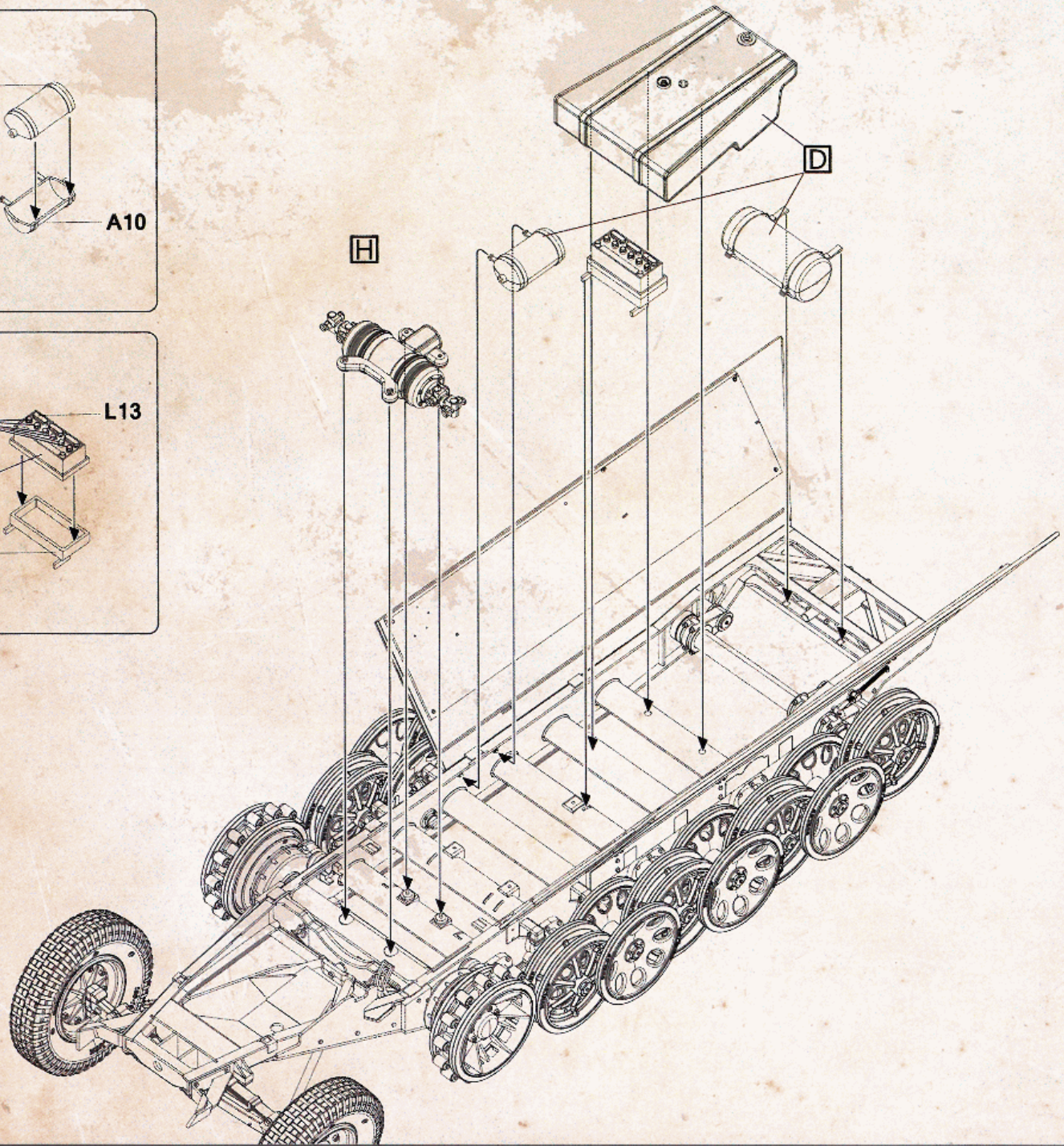
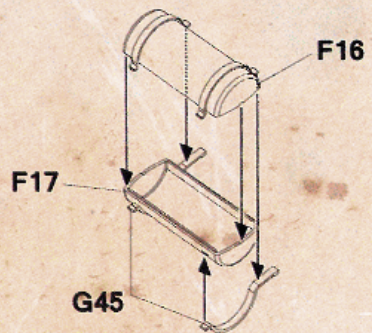
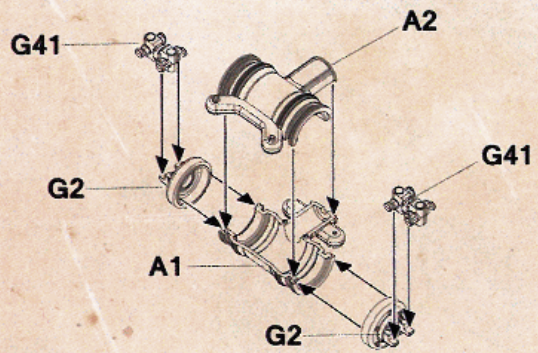
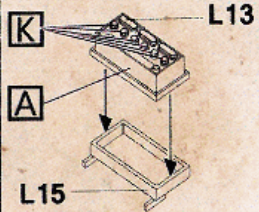
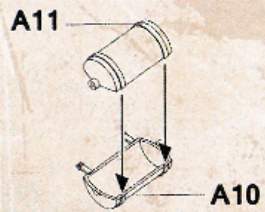
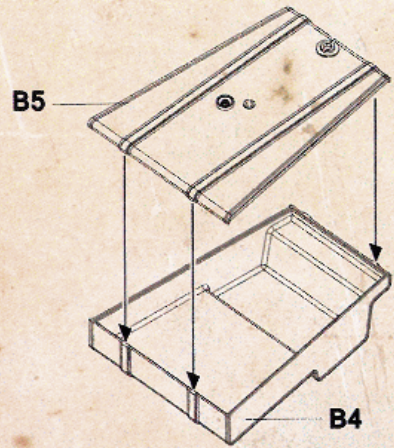


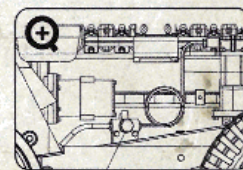
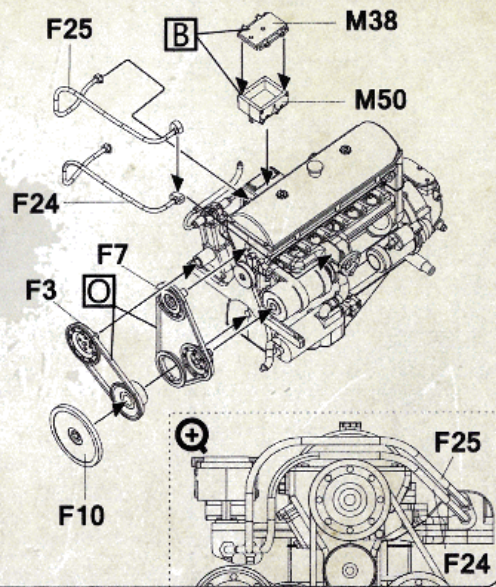
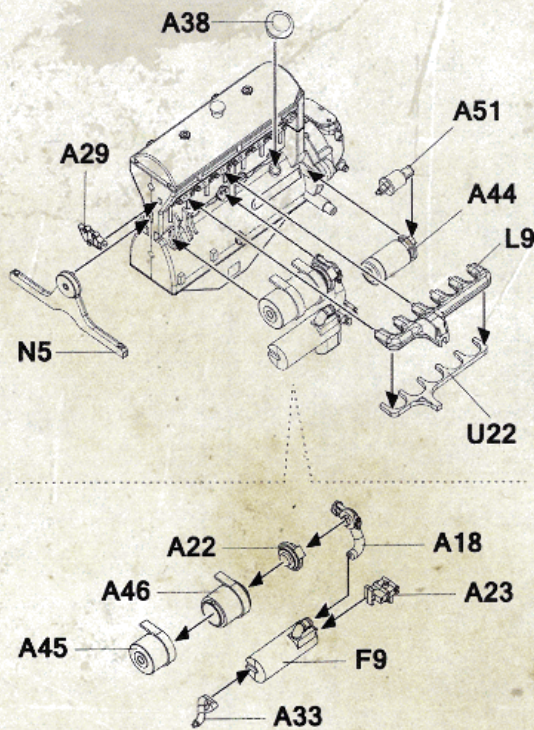
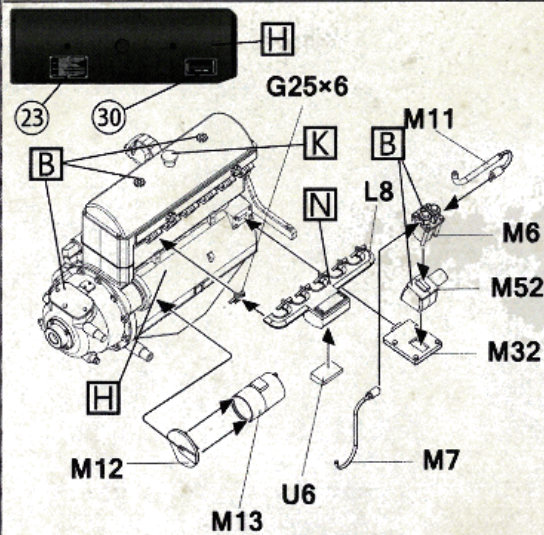
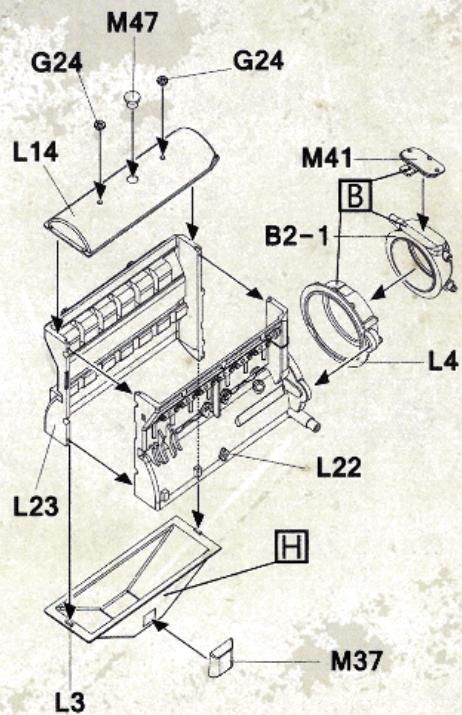
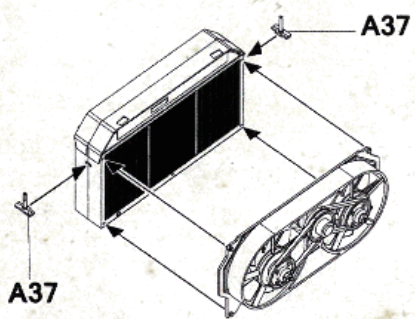
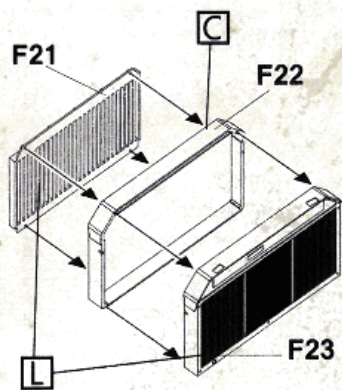
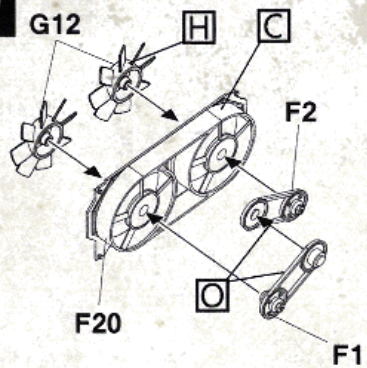
E



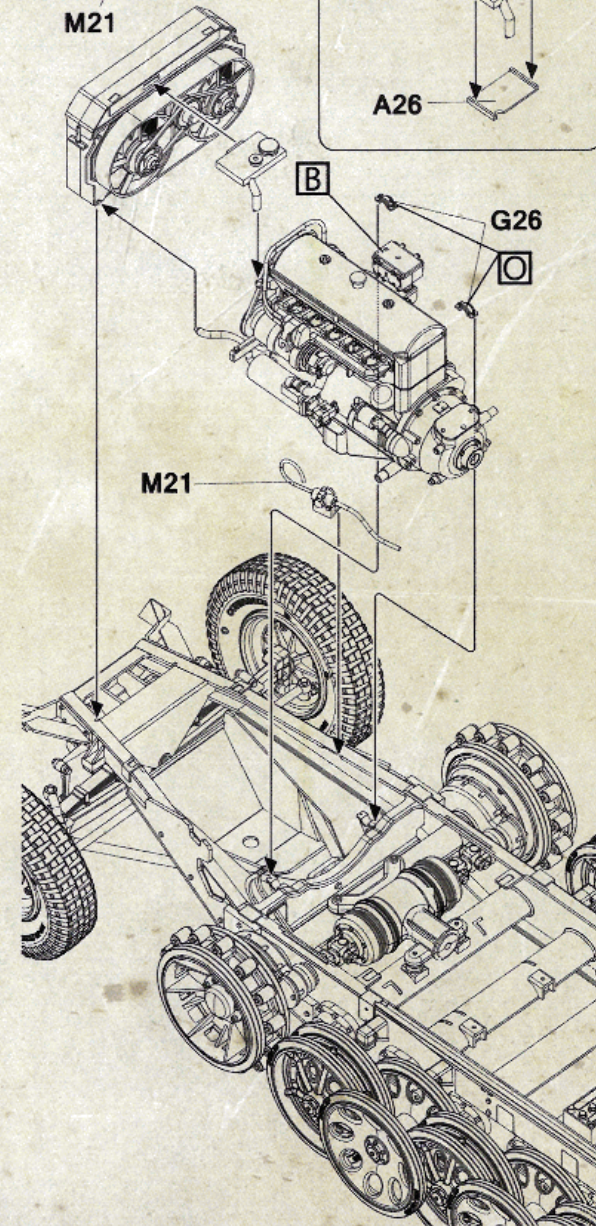
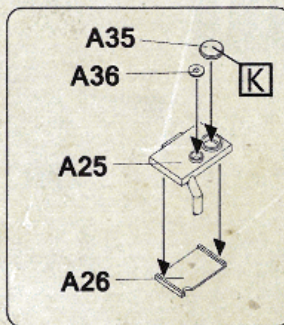
F

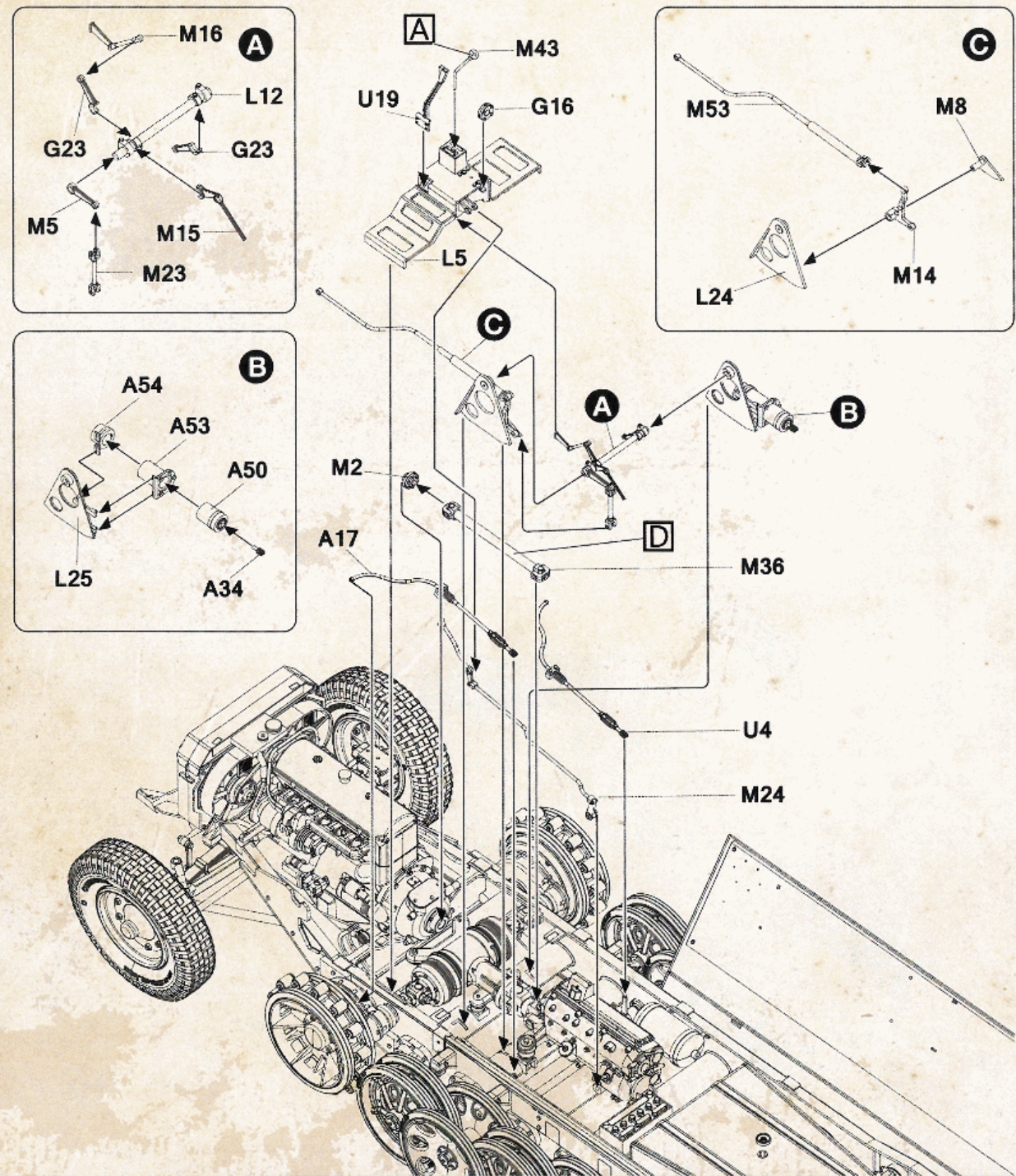
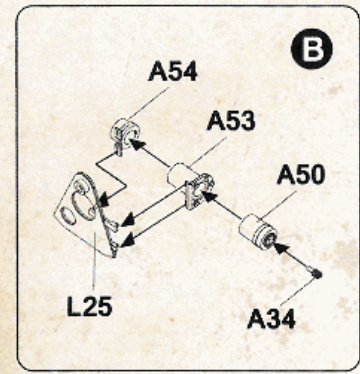
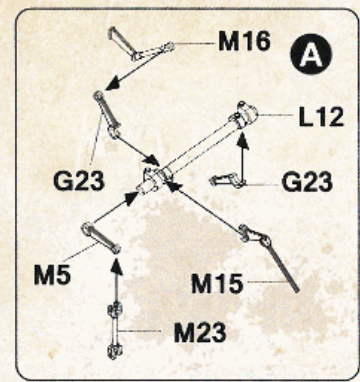
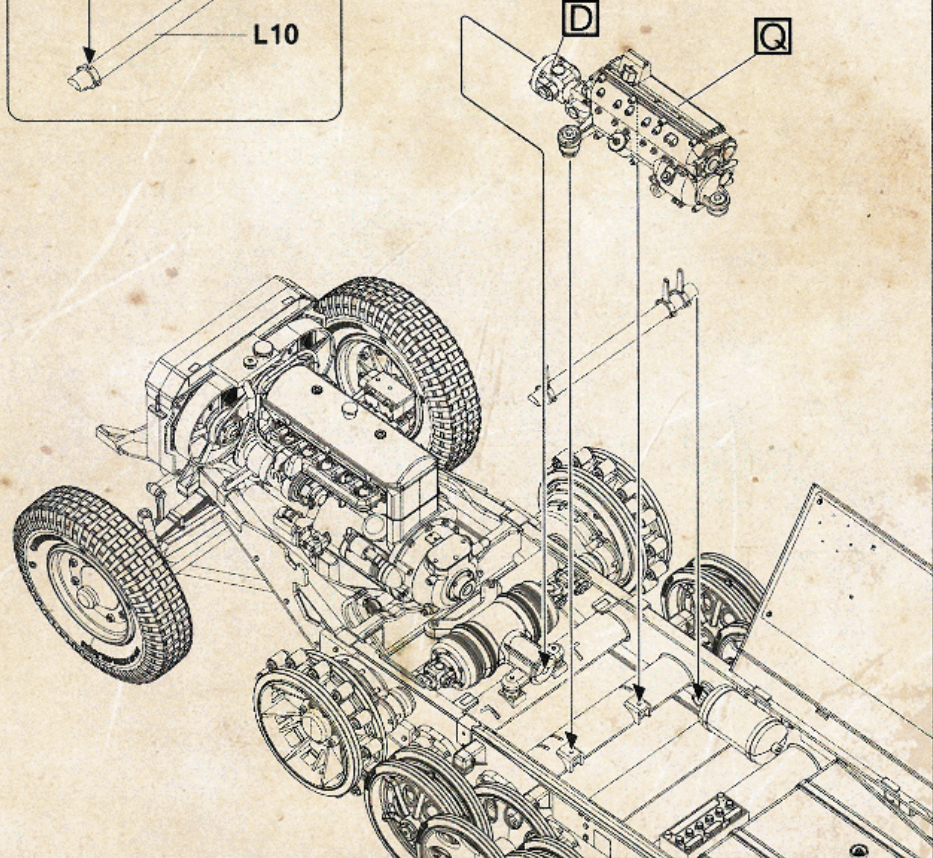
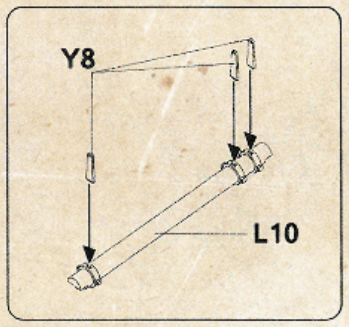
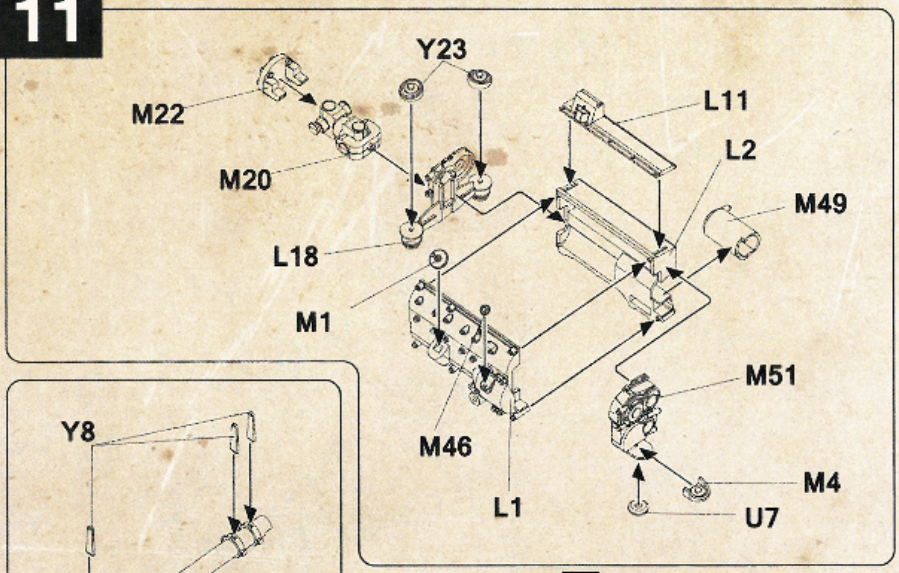


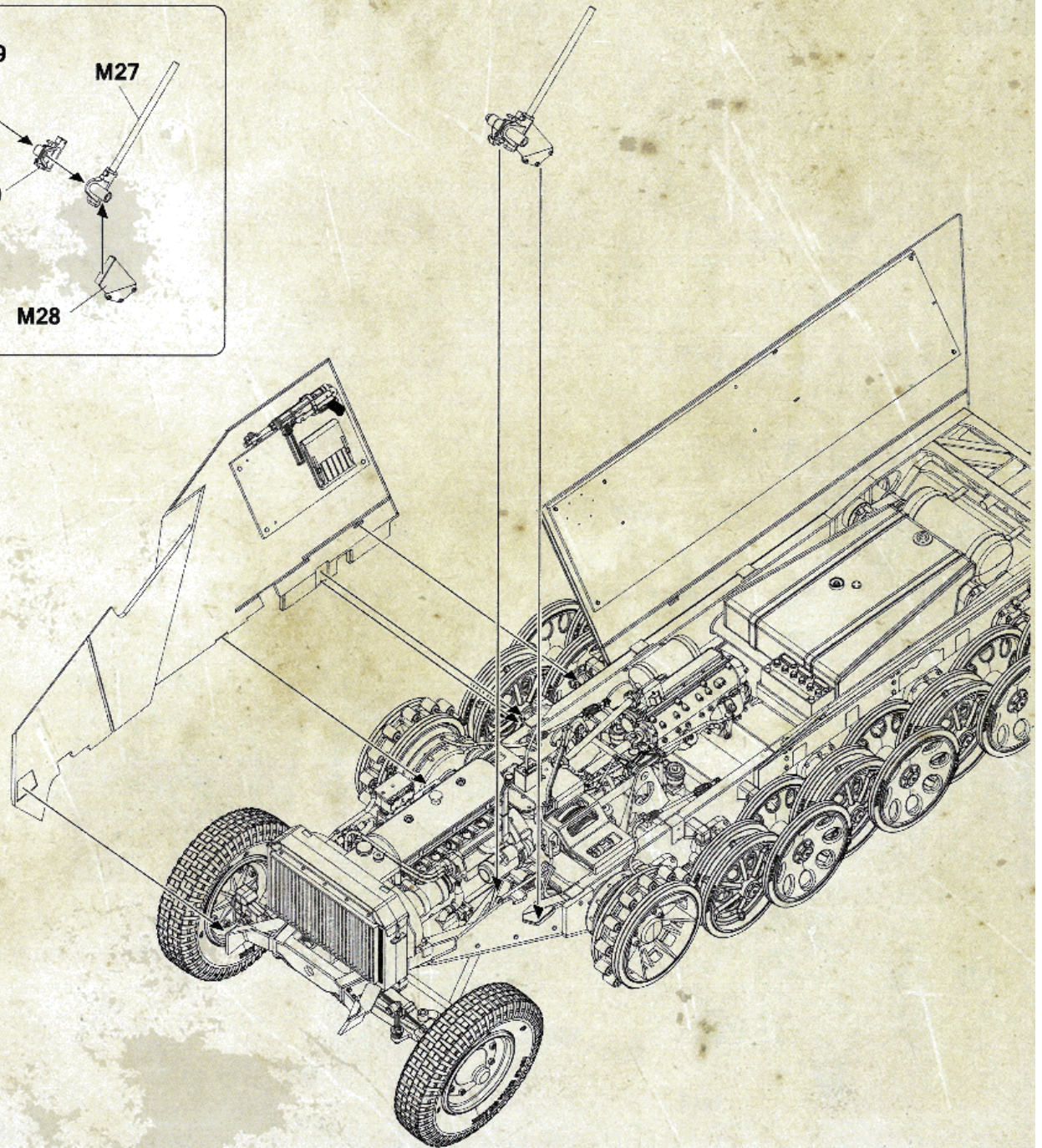
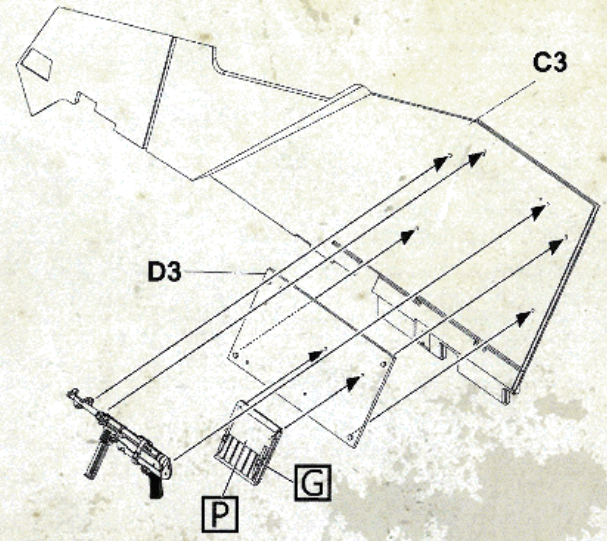
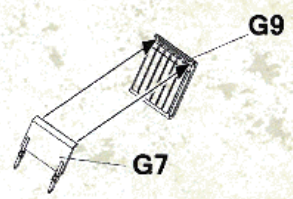
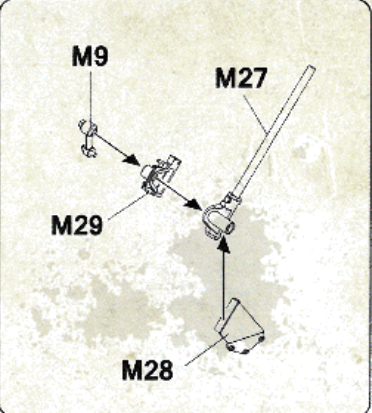
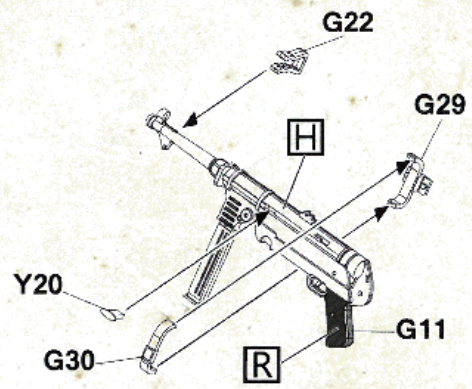


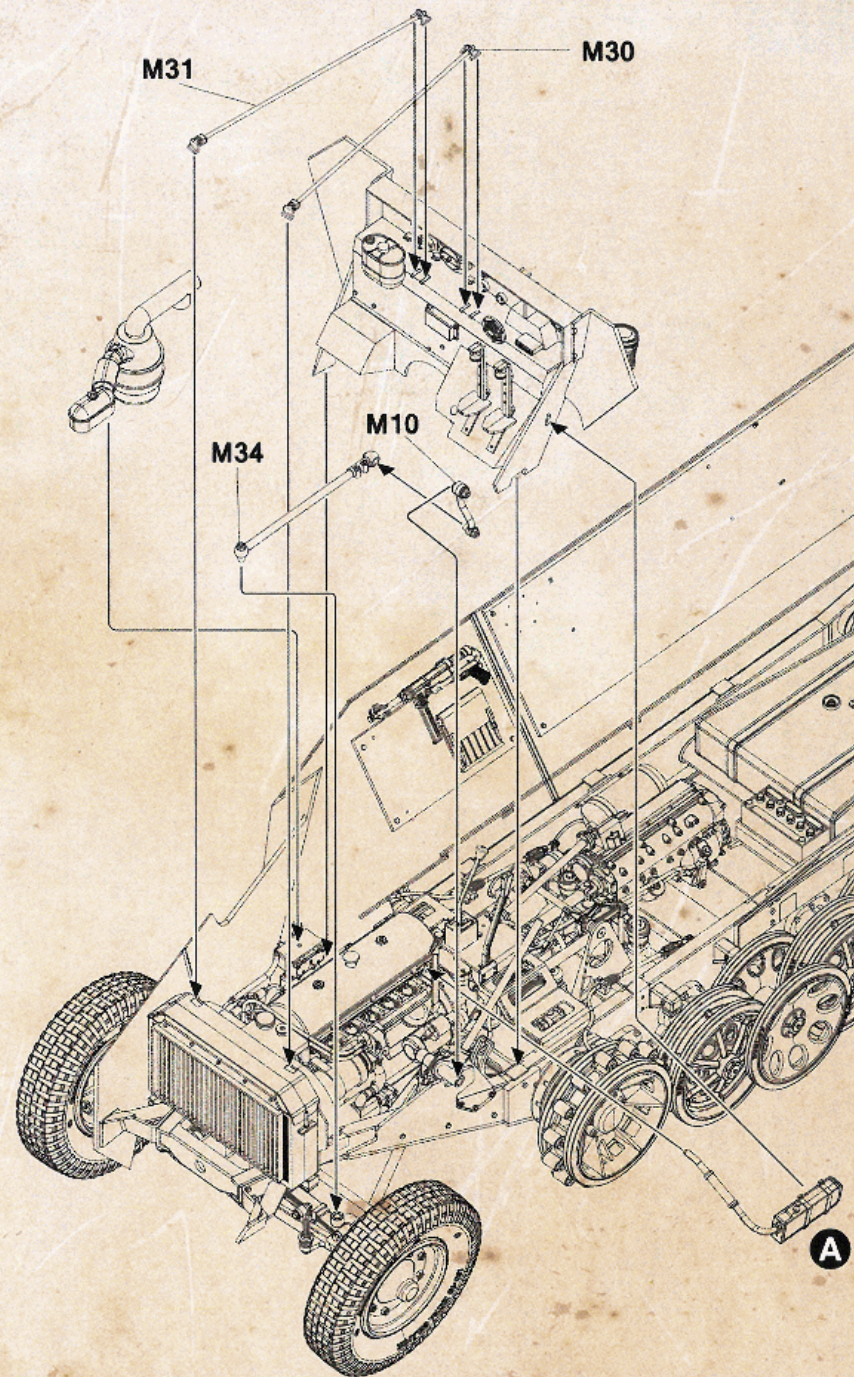
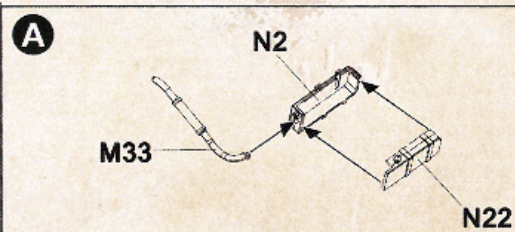
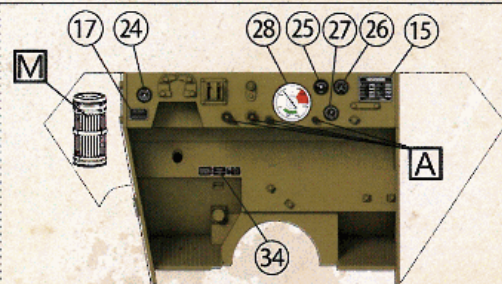
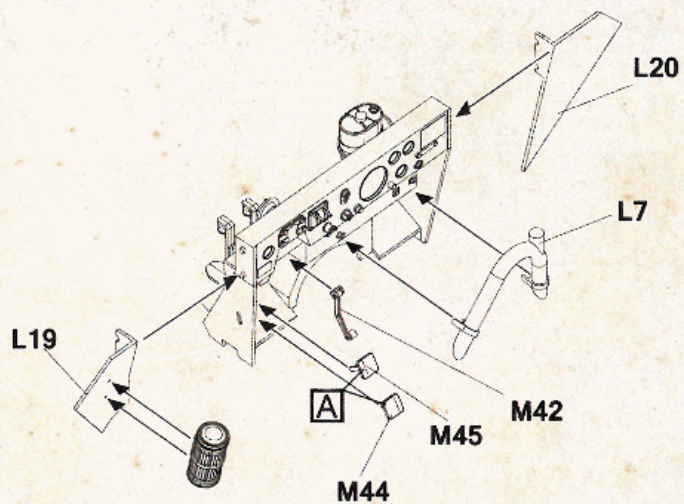
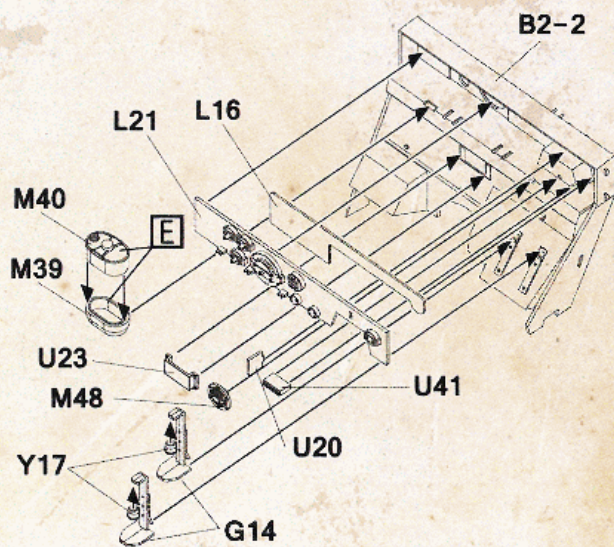
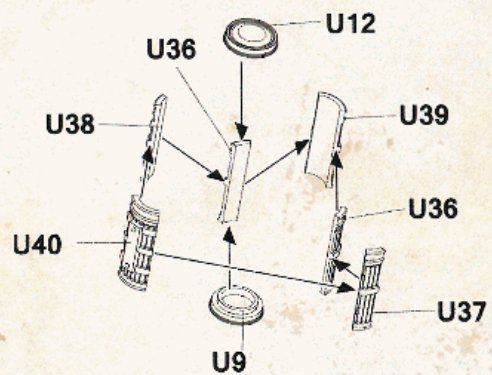
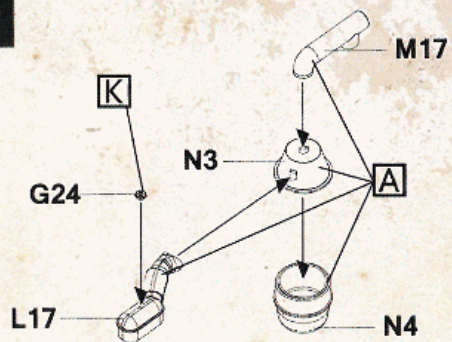


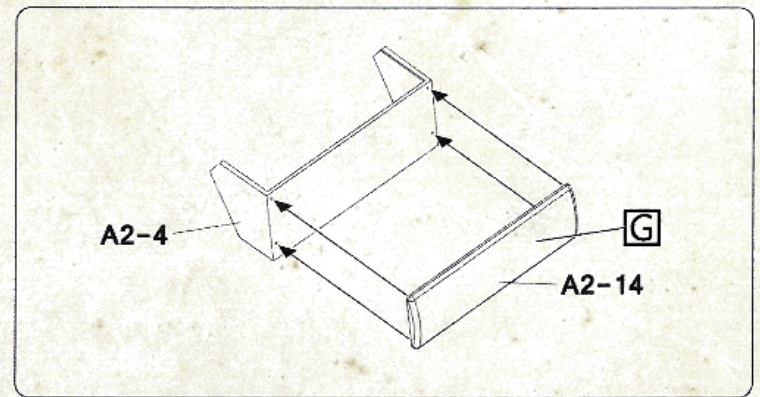
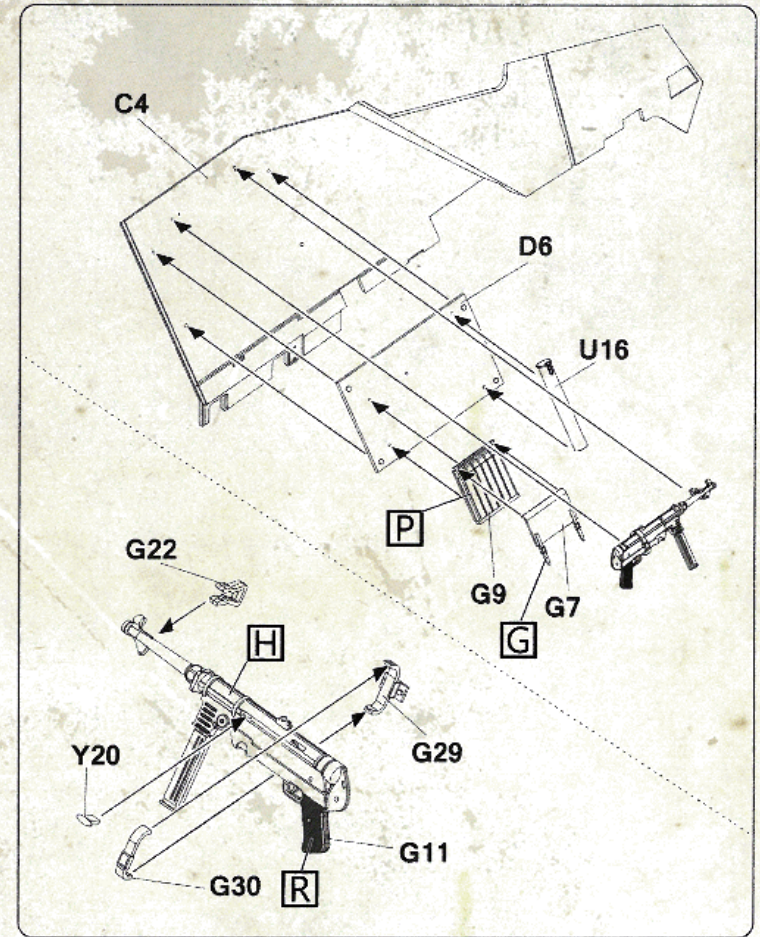
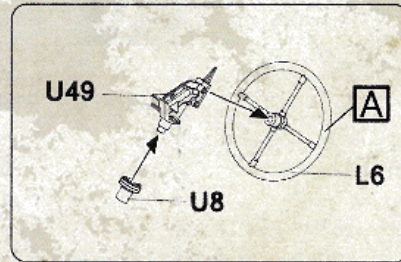
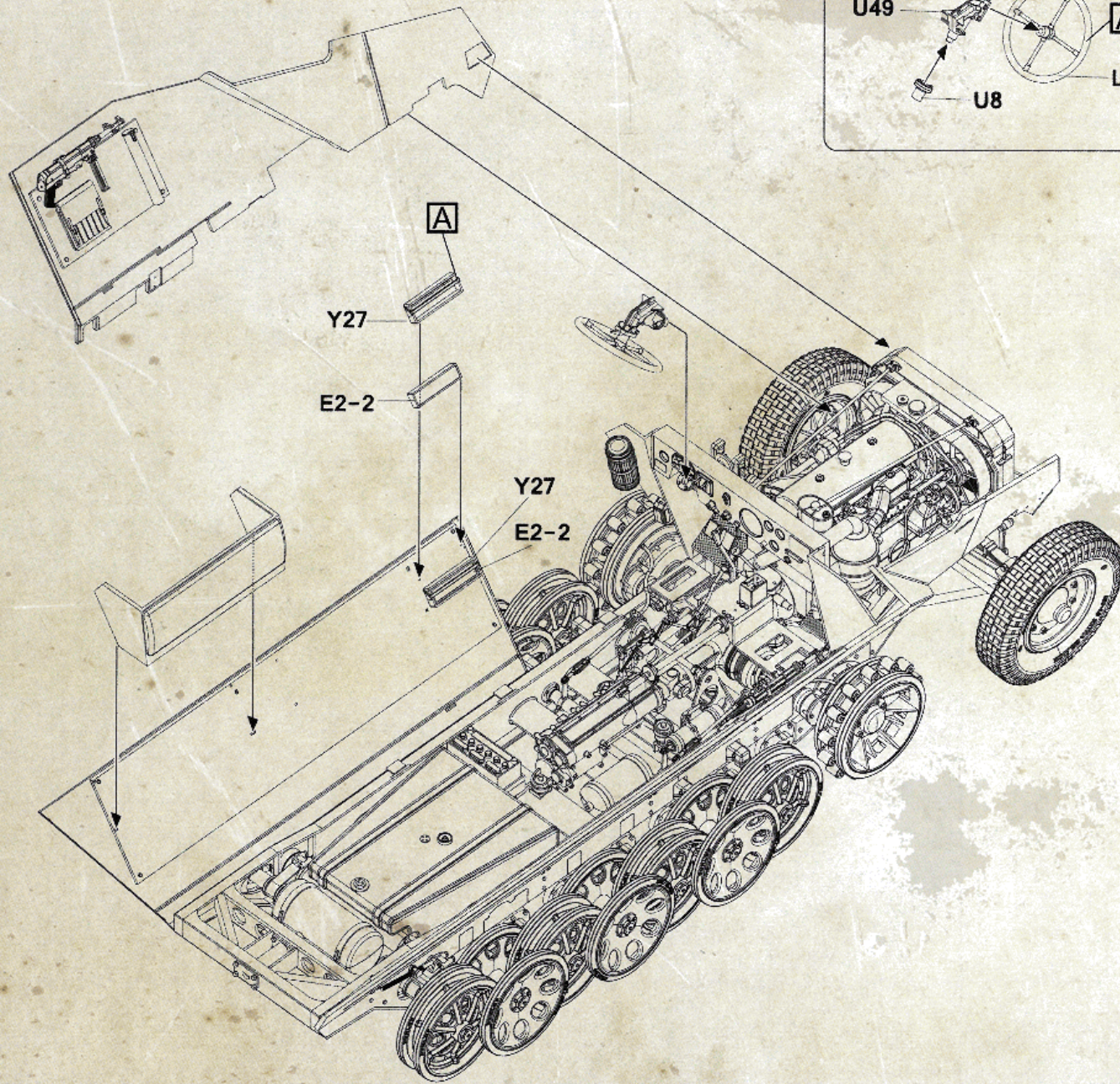
M7



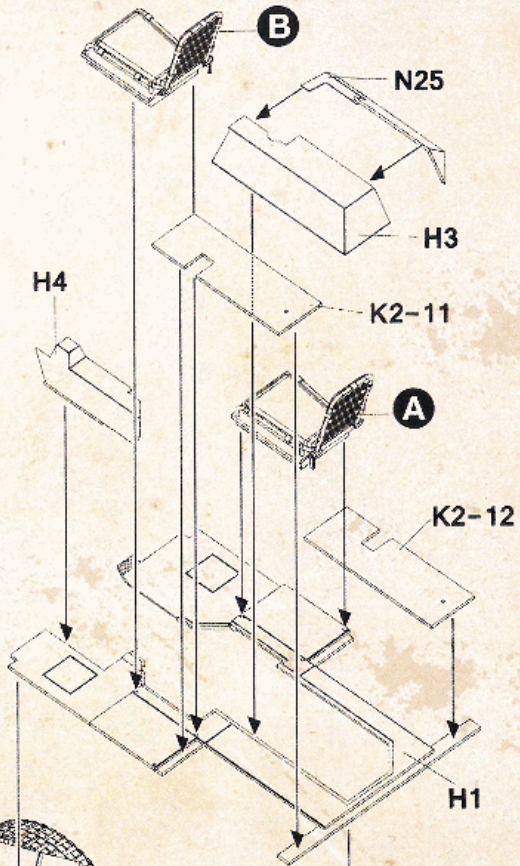
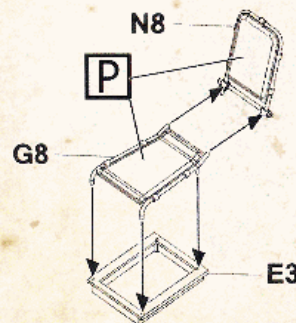
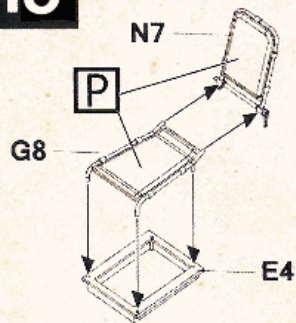




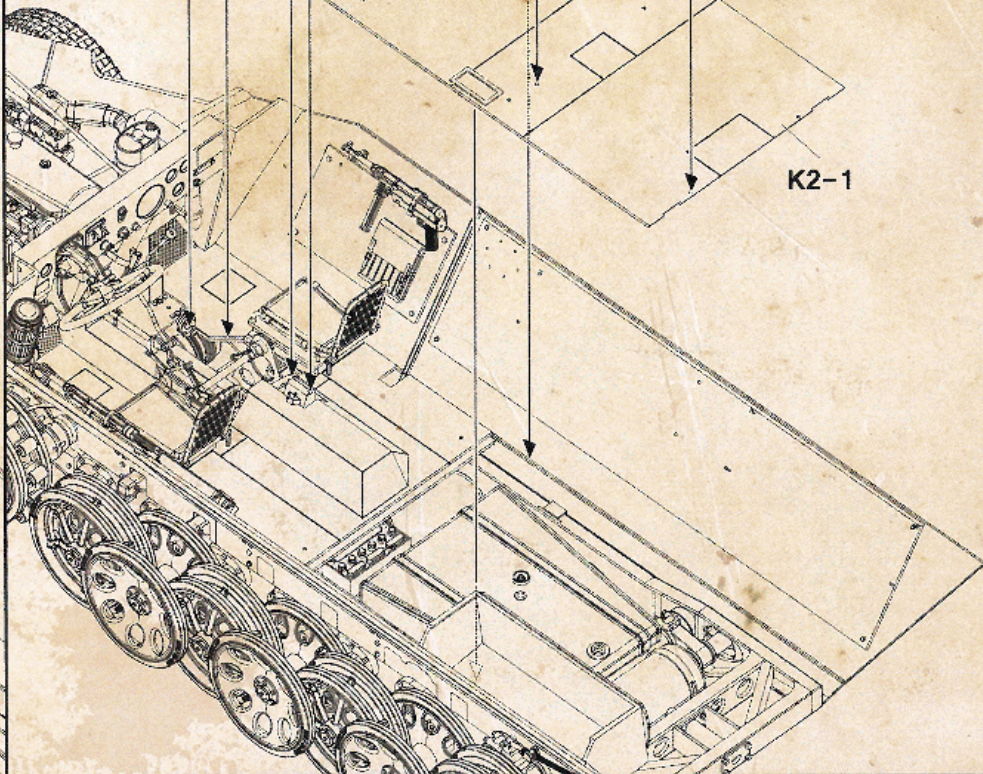
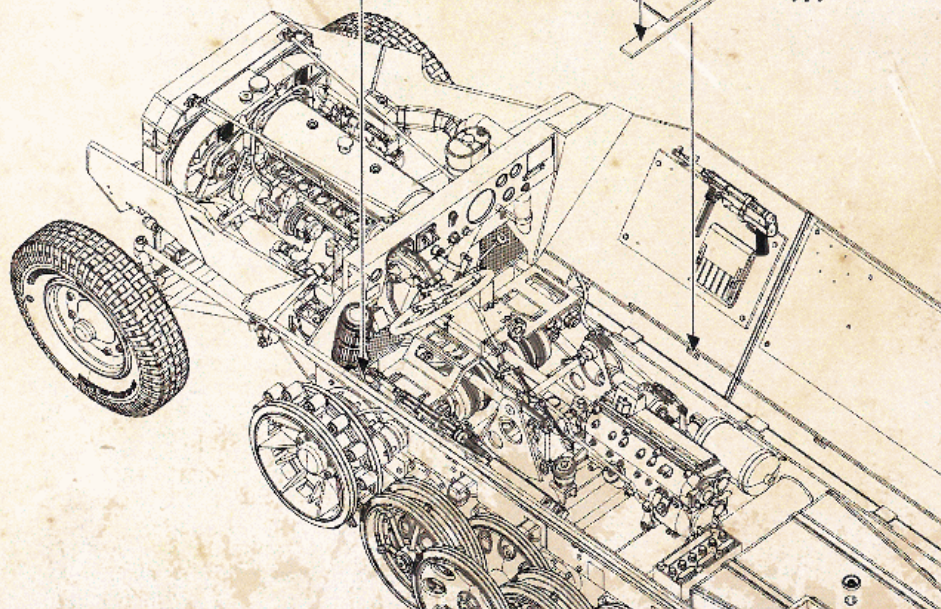
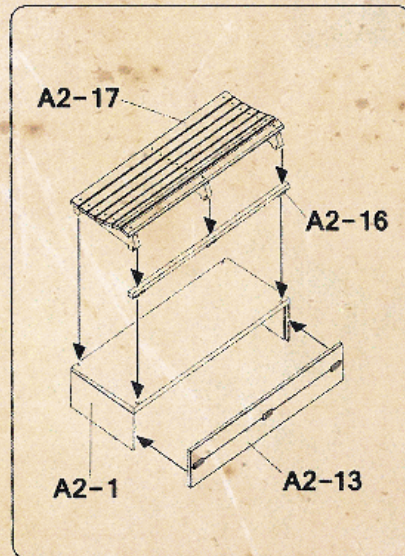
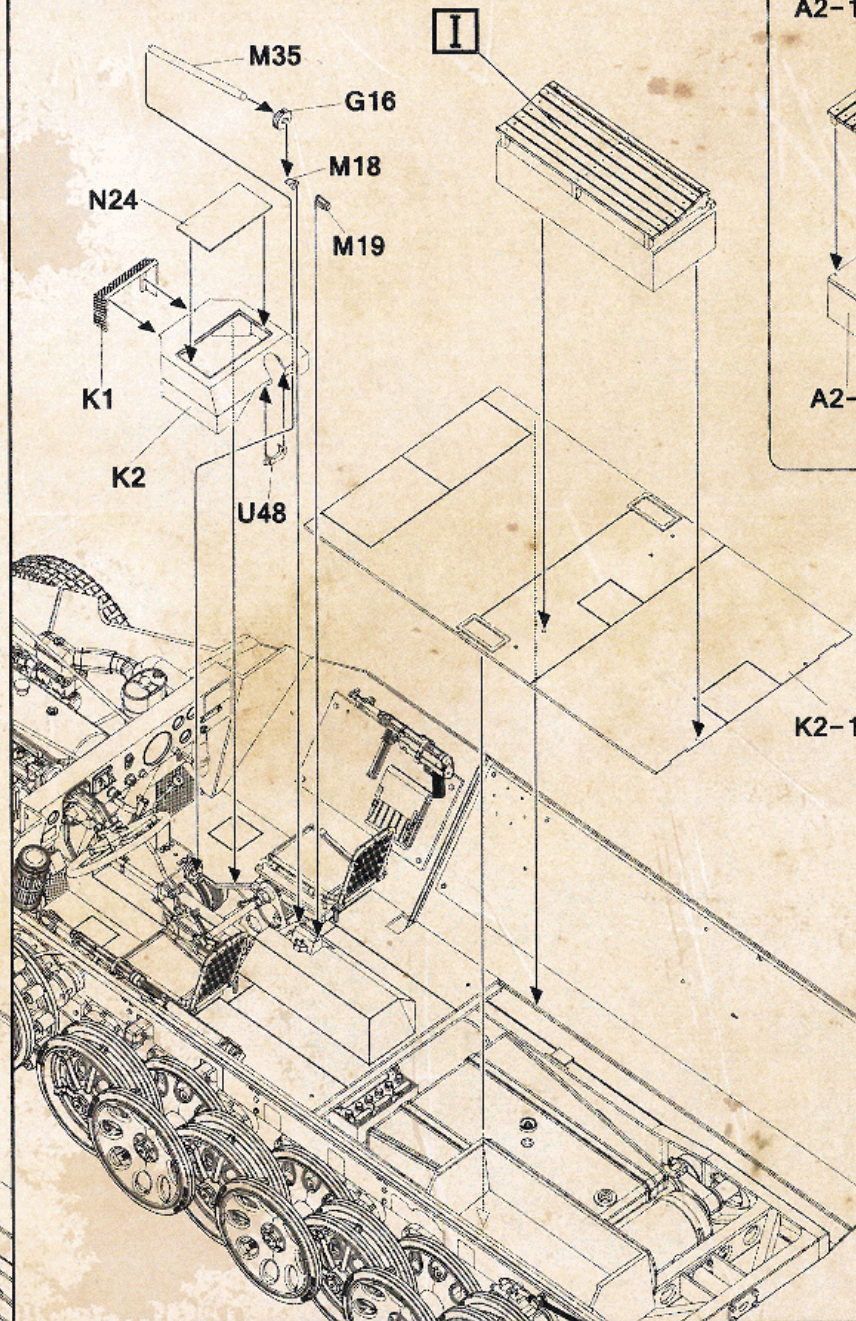


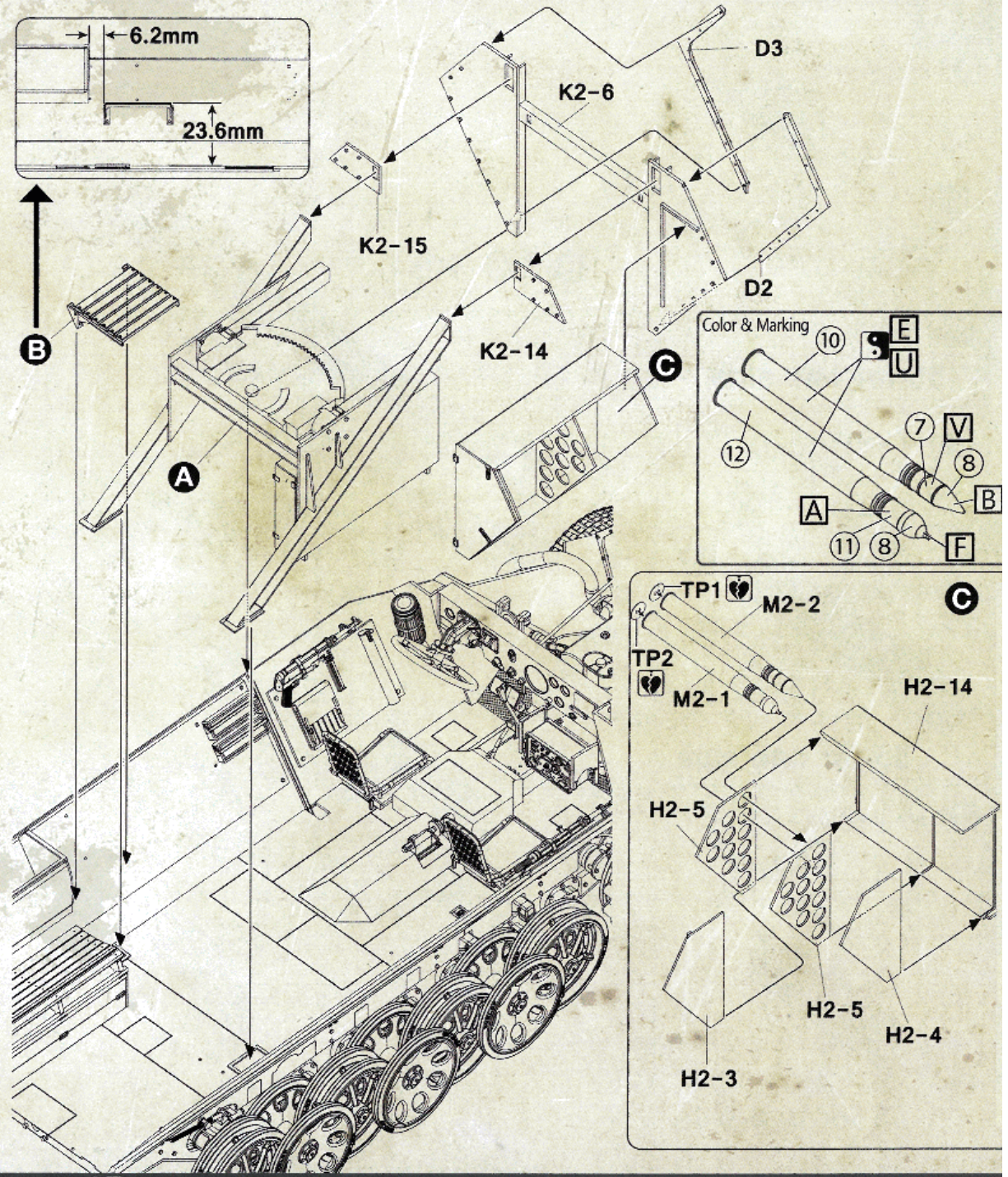
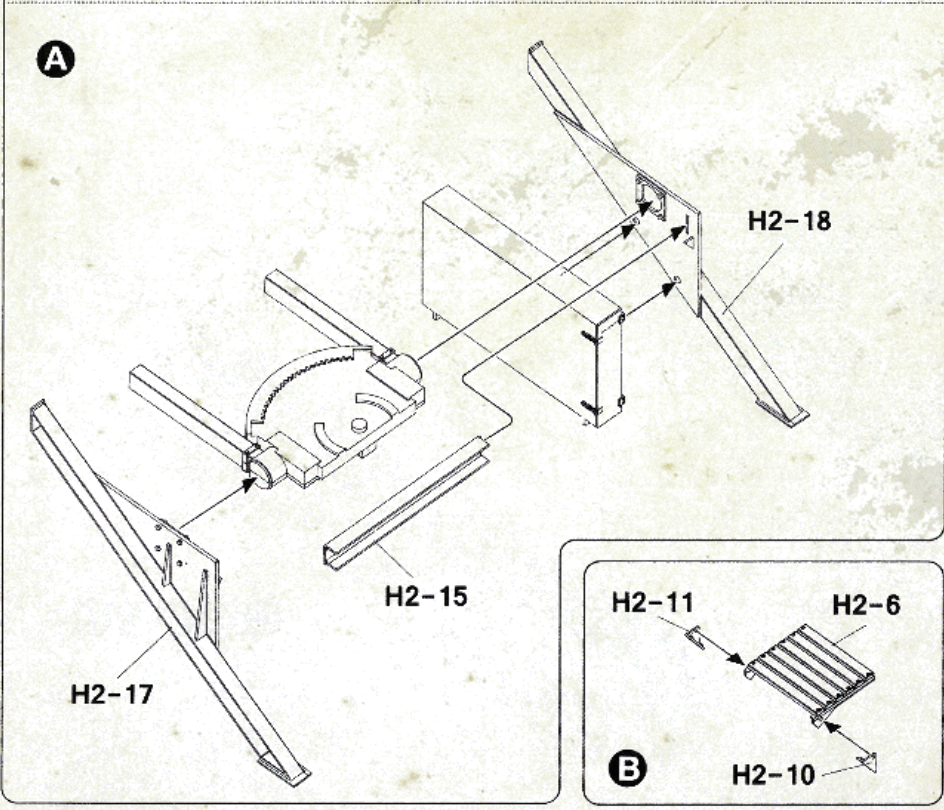
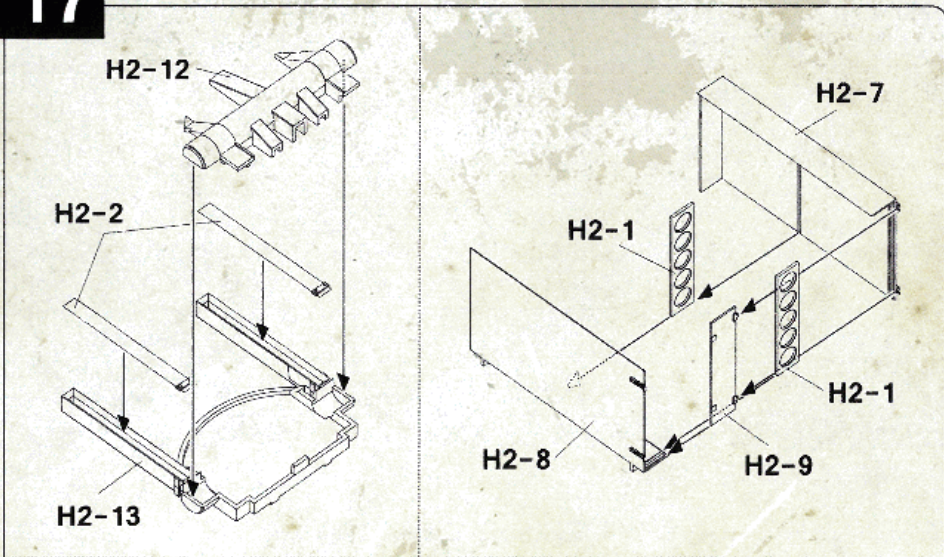


15



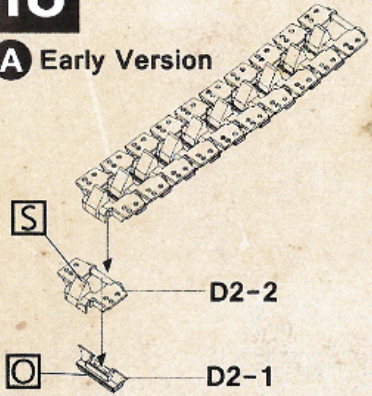
16





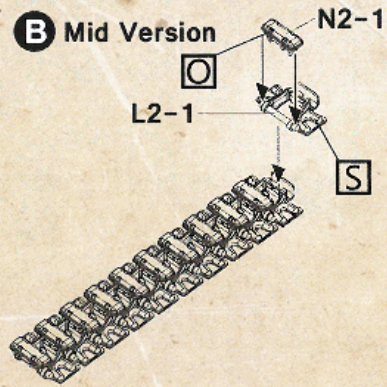
18

A Early Version



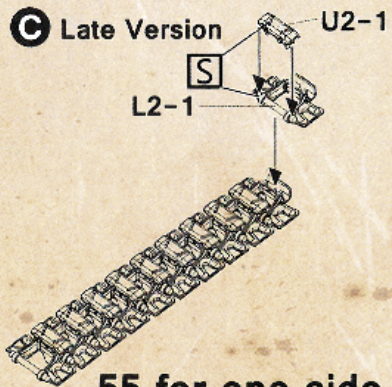
55 for one side

B Mid Version

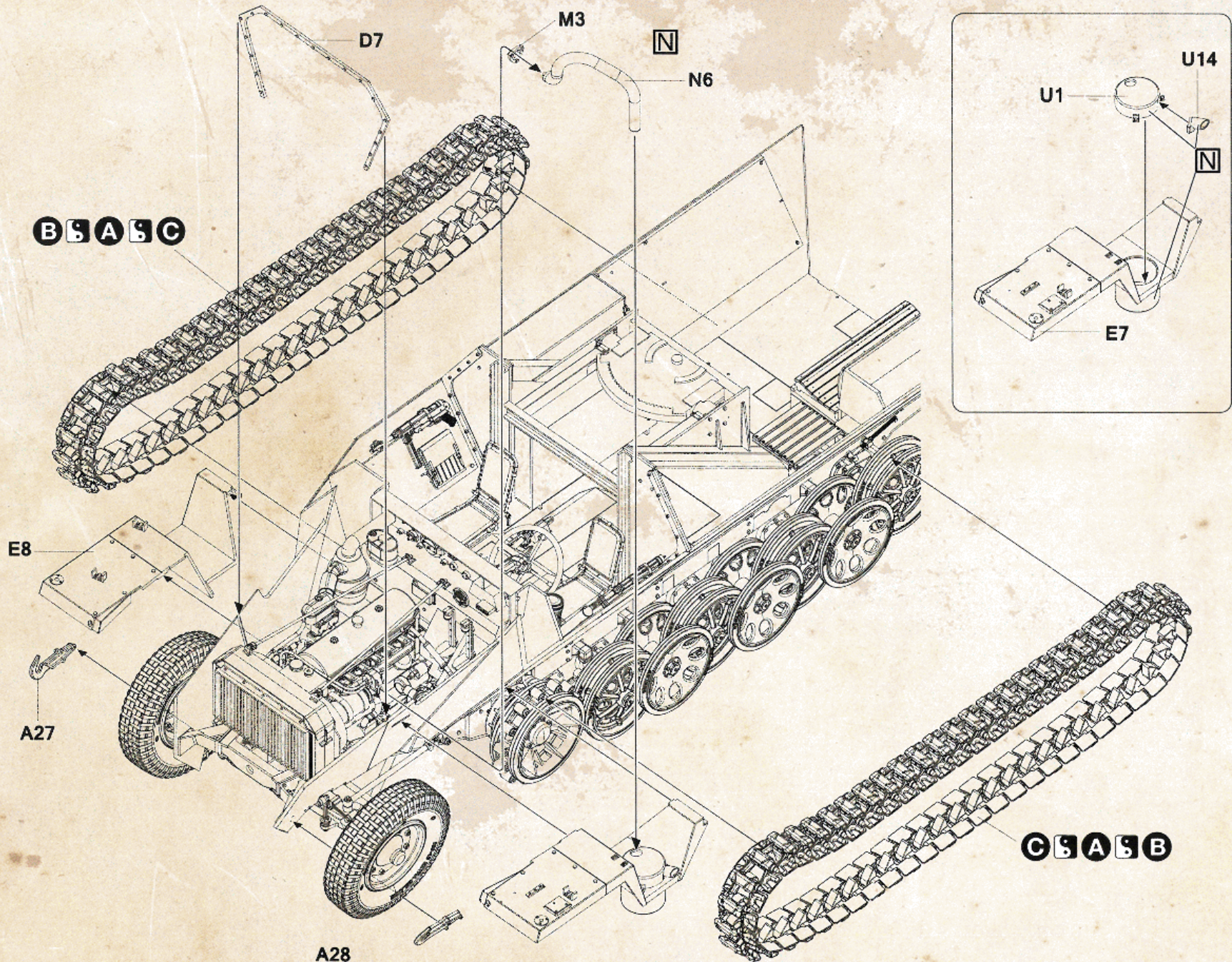


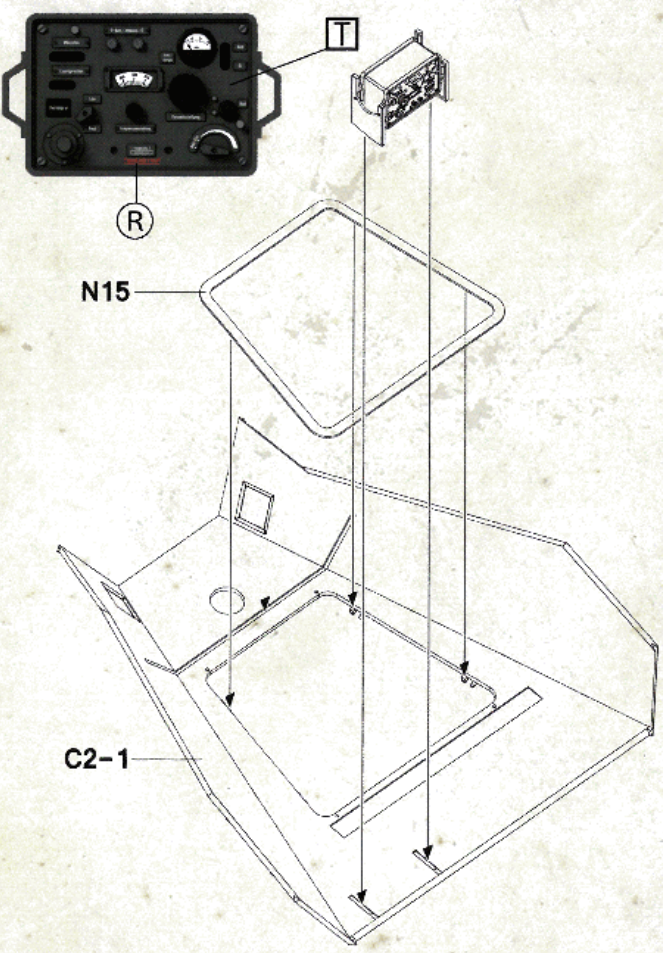
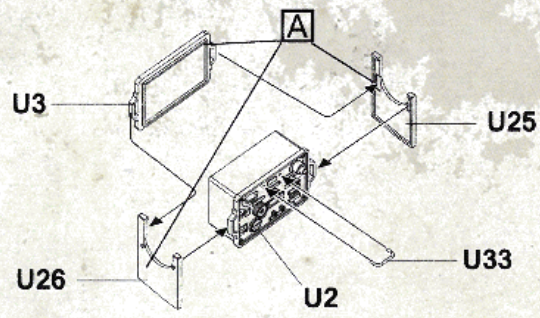
55 for one side

C Late Version

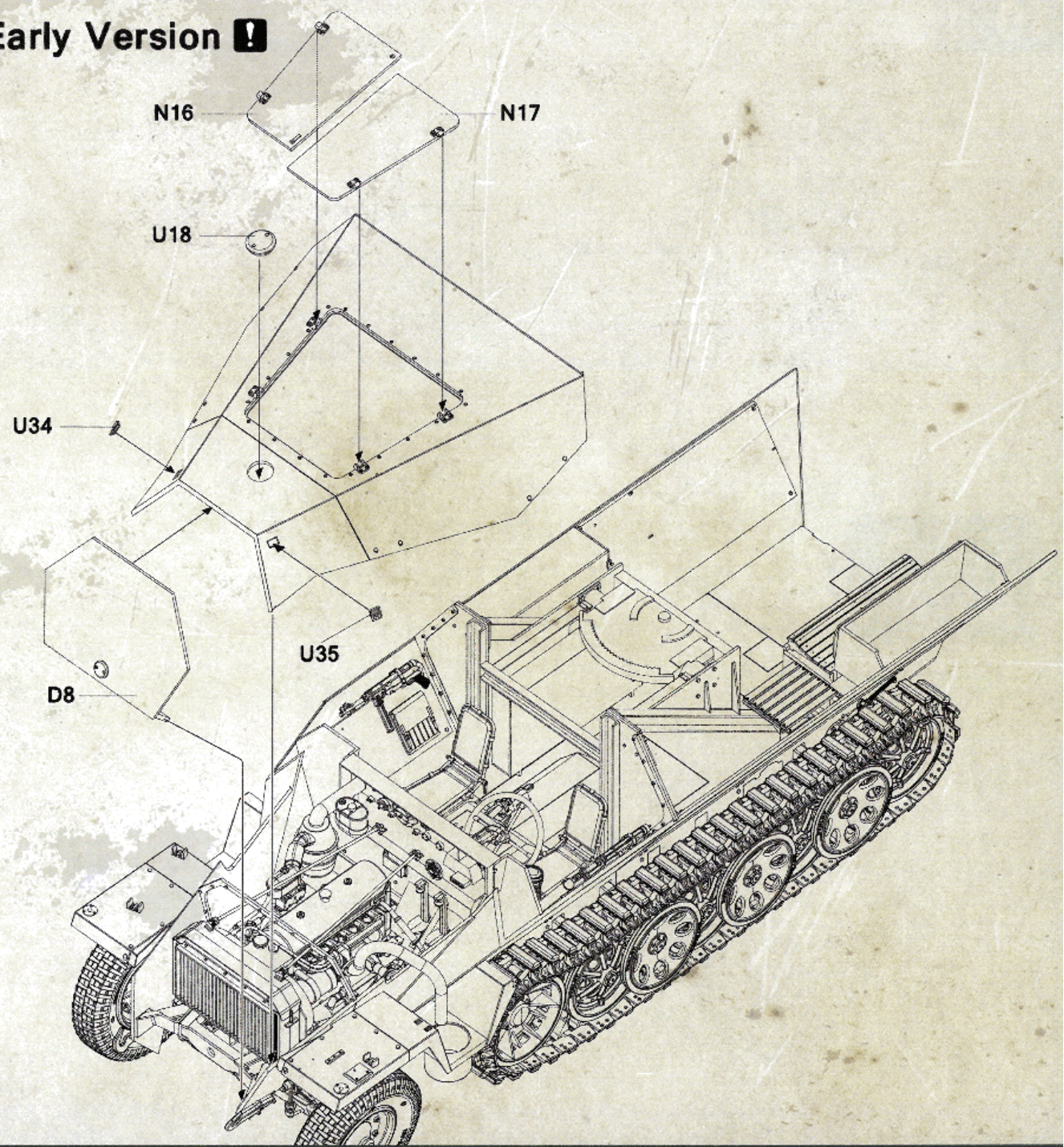


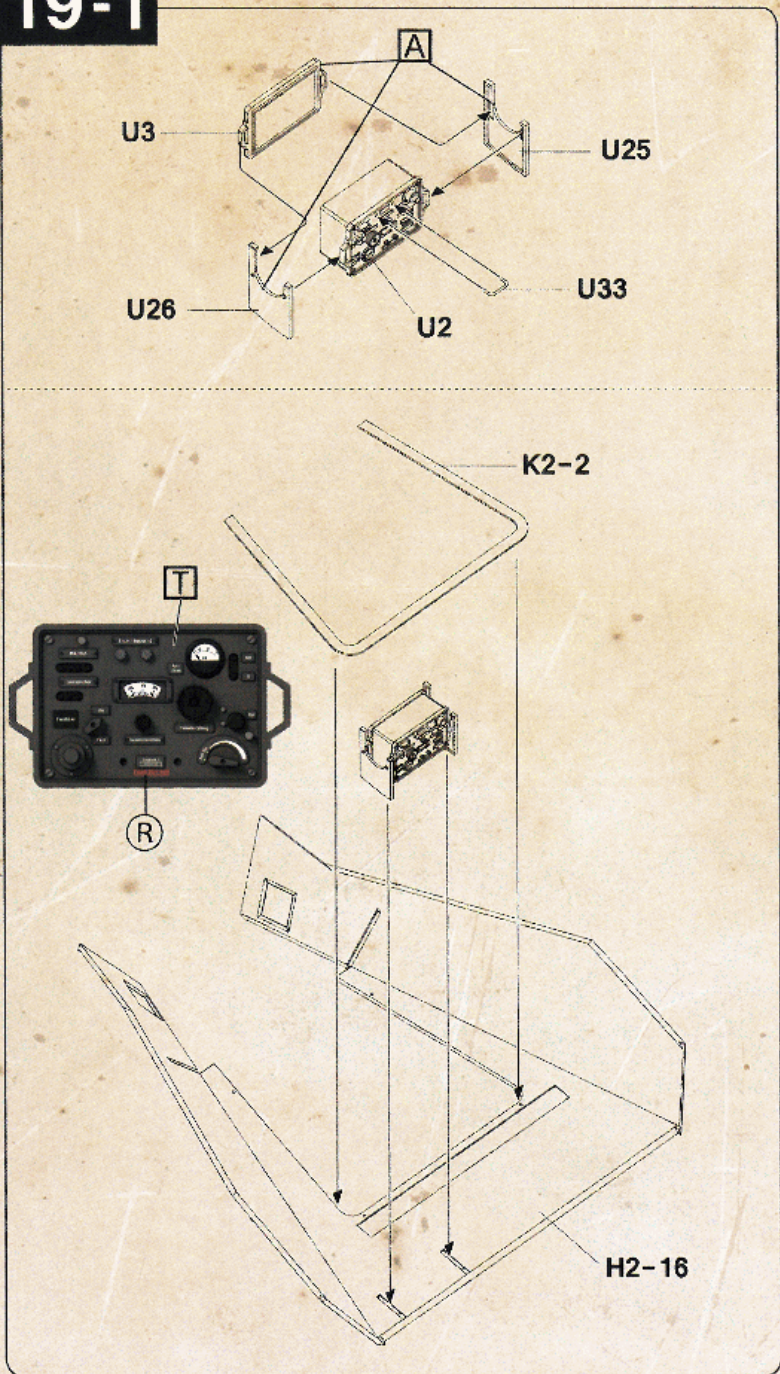
55 for one side



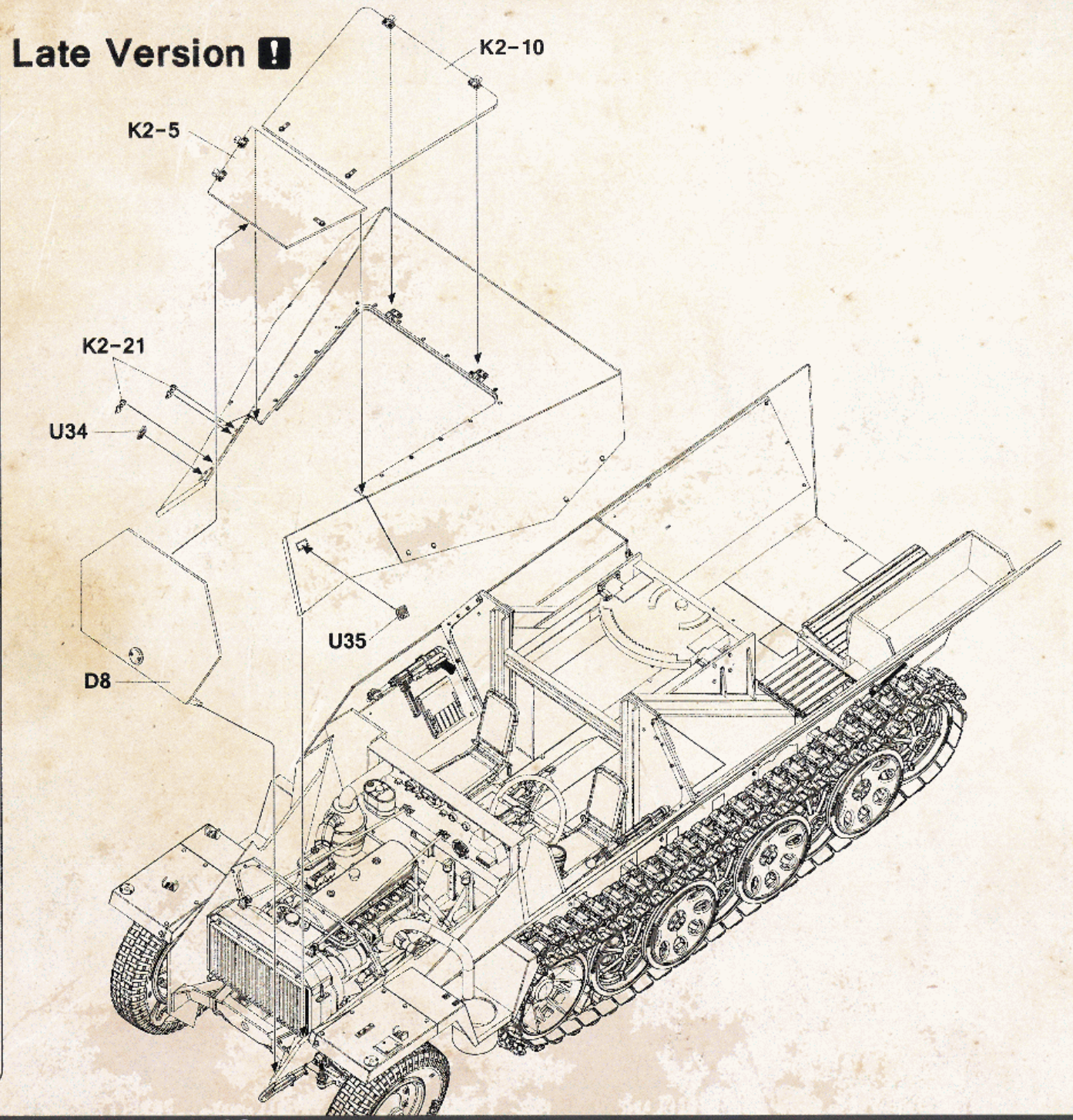


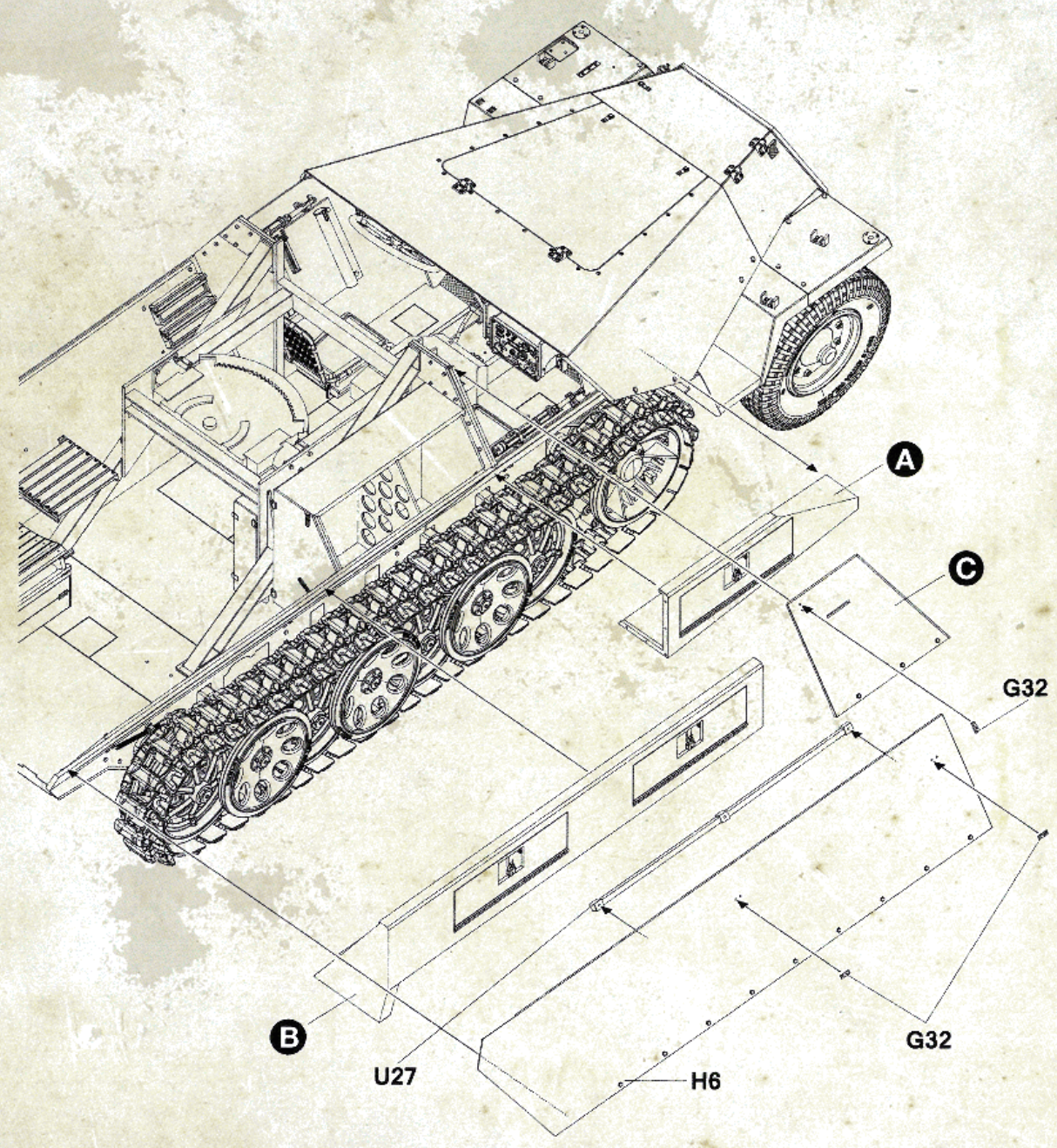
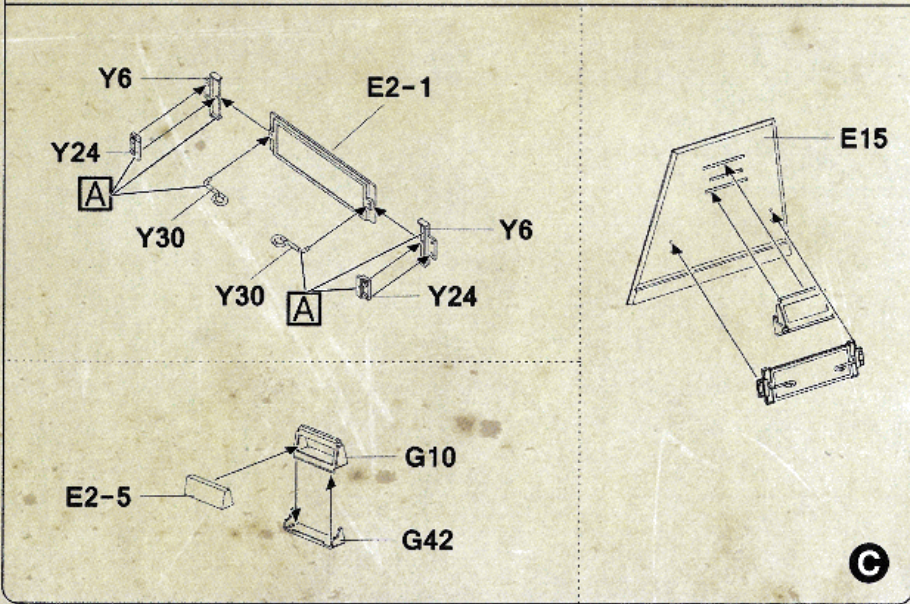
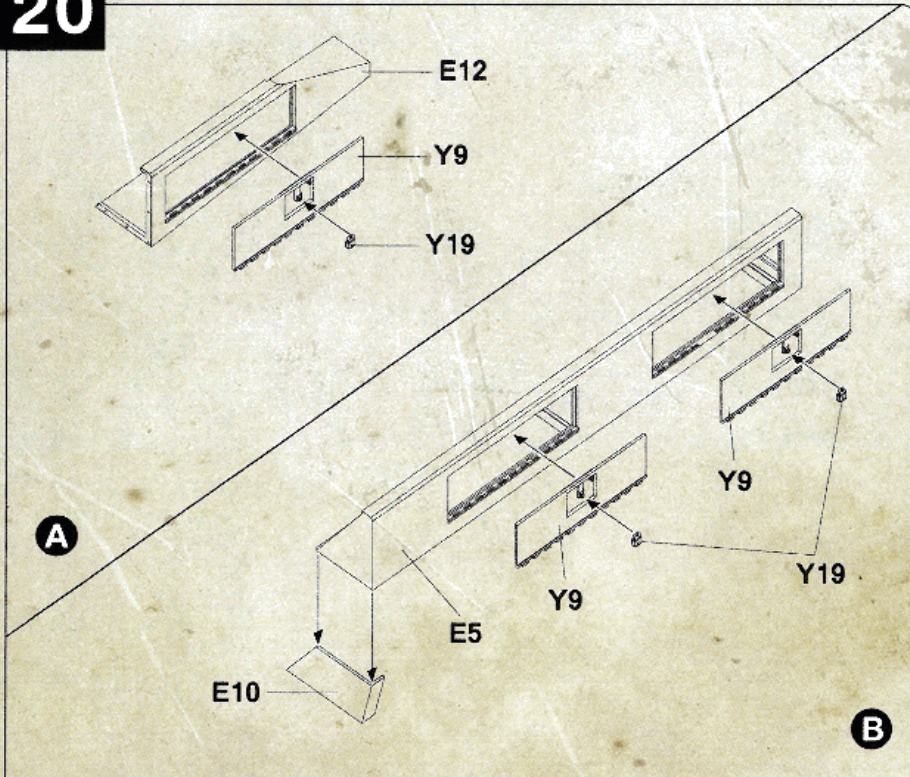
Early Version !

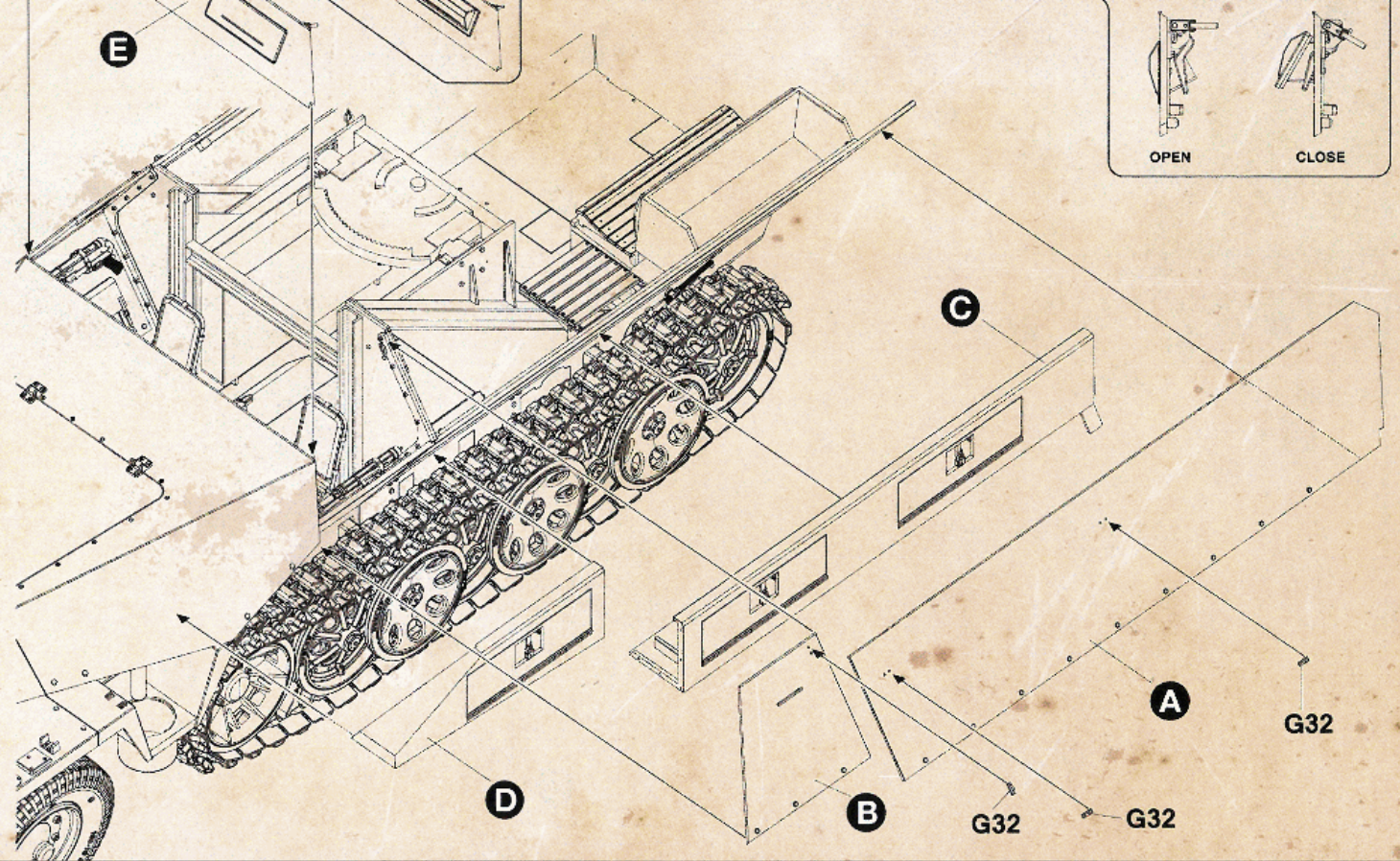
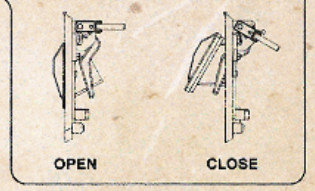
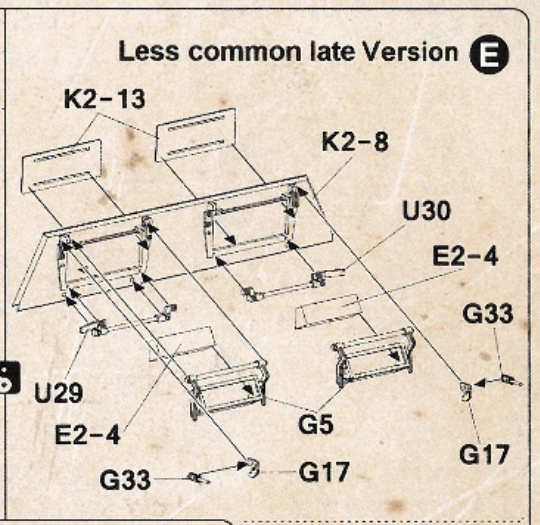
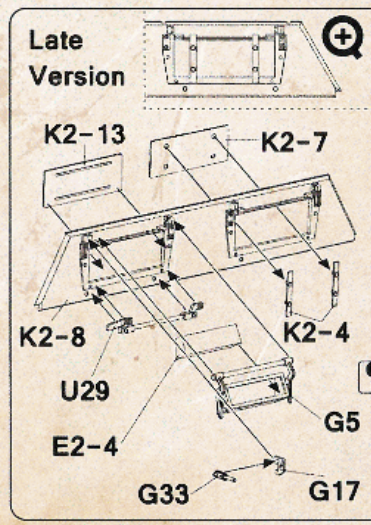
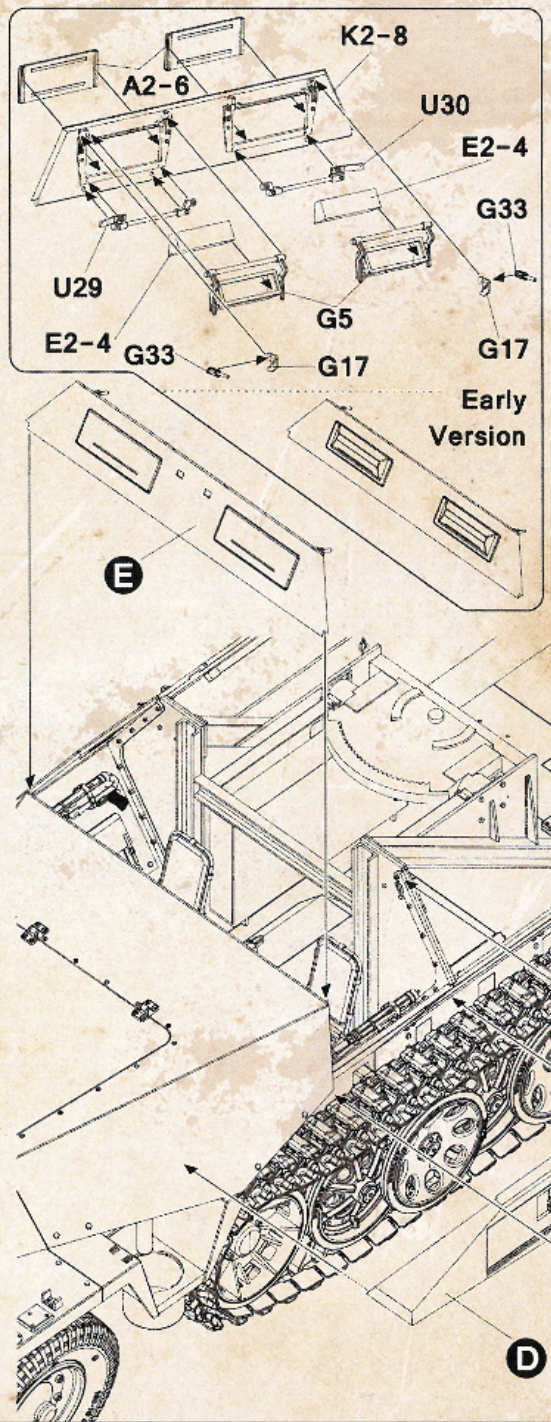
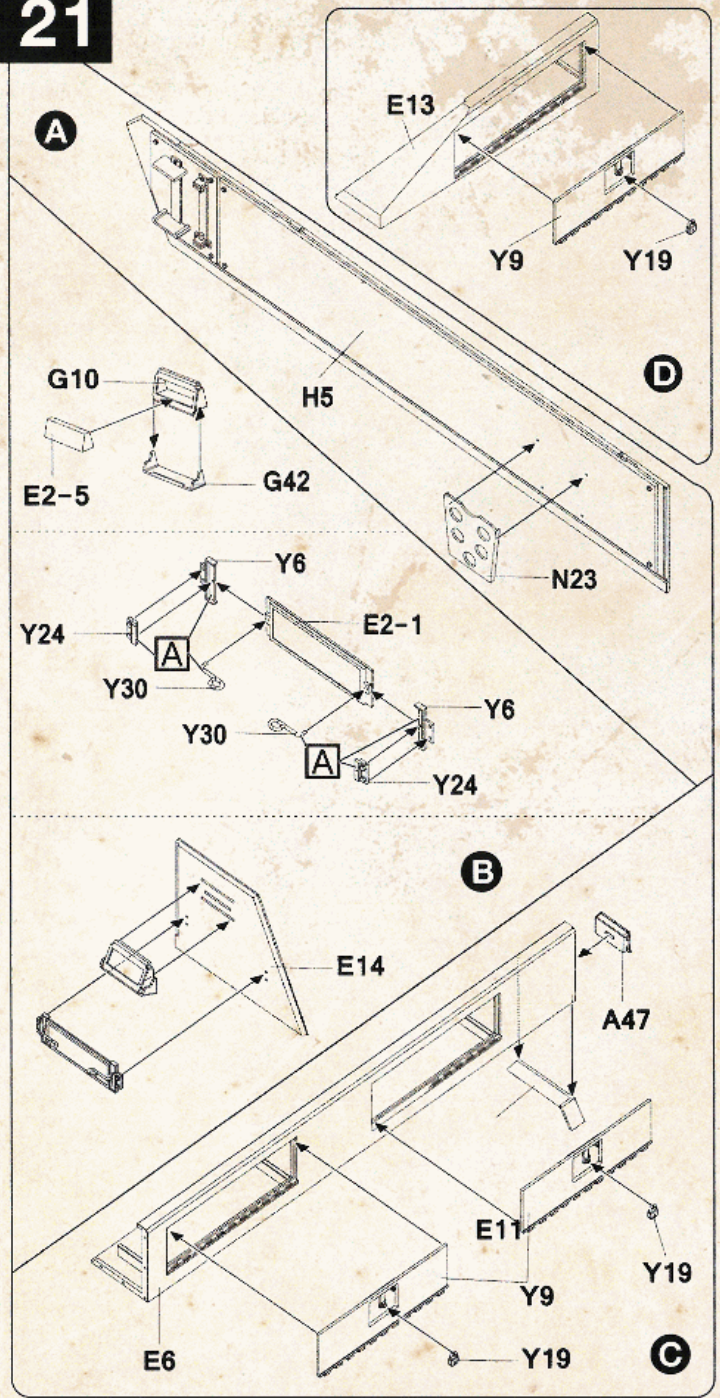


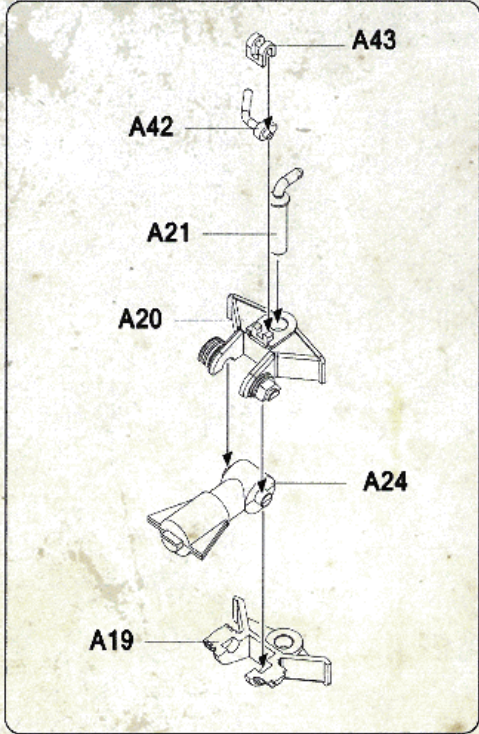
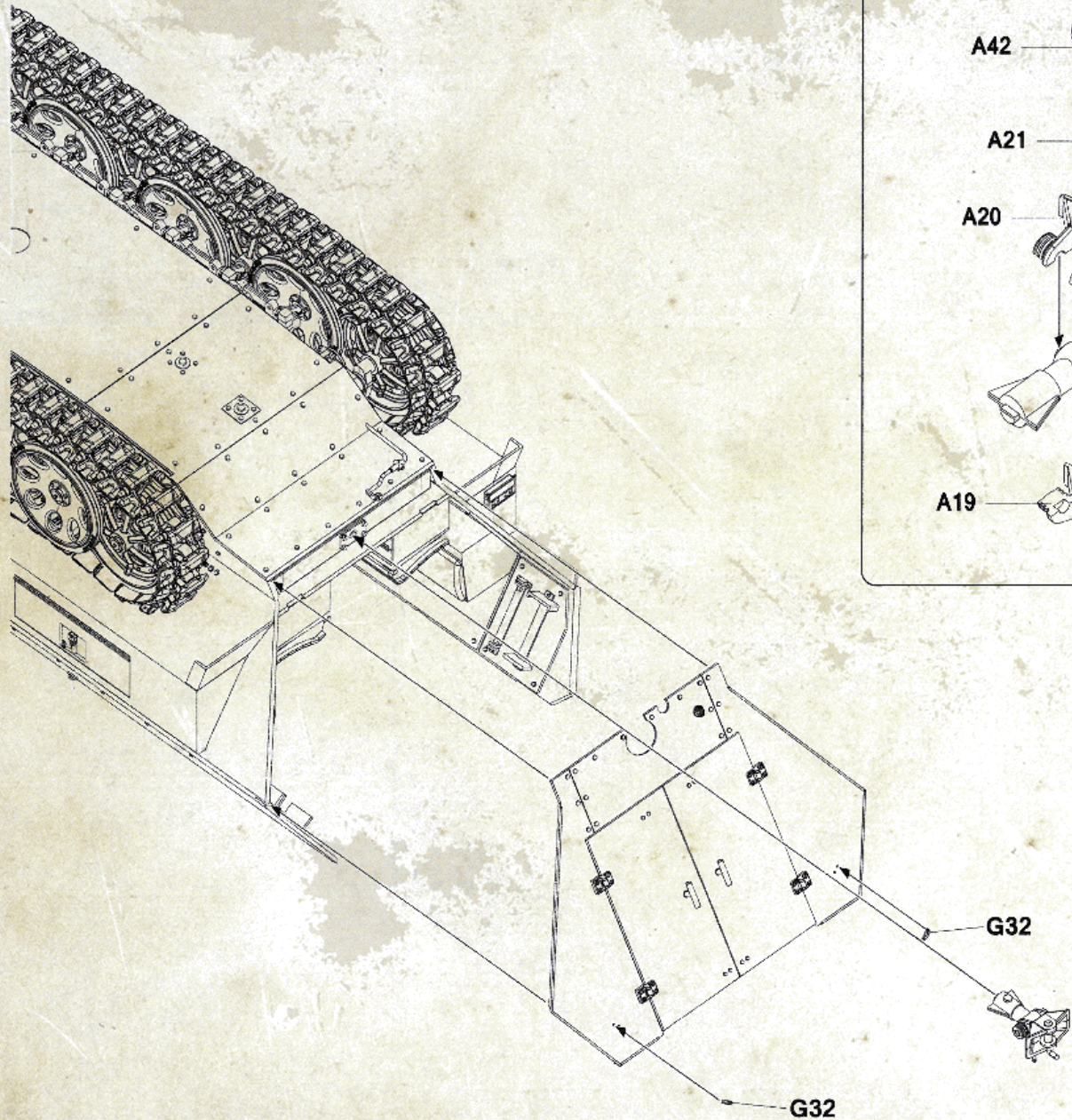
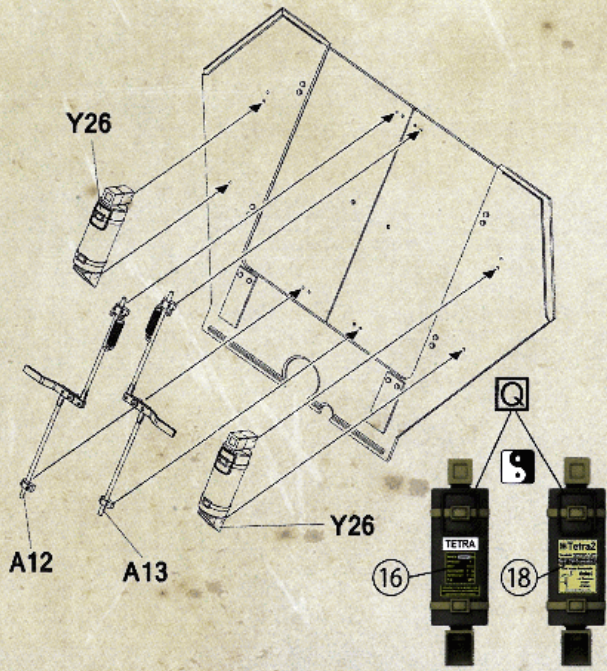
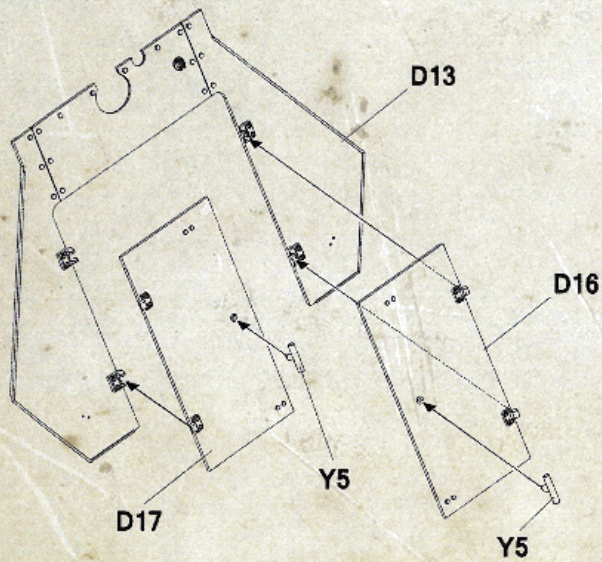


Late Version !

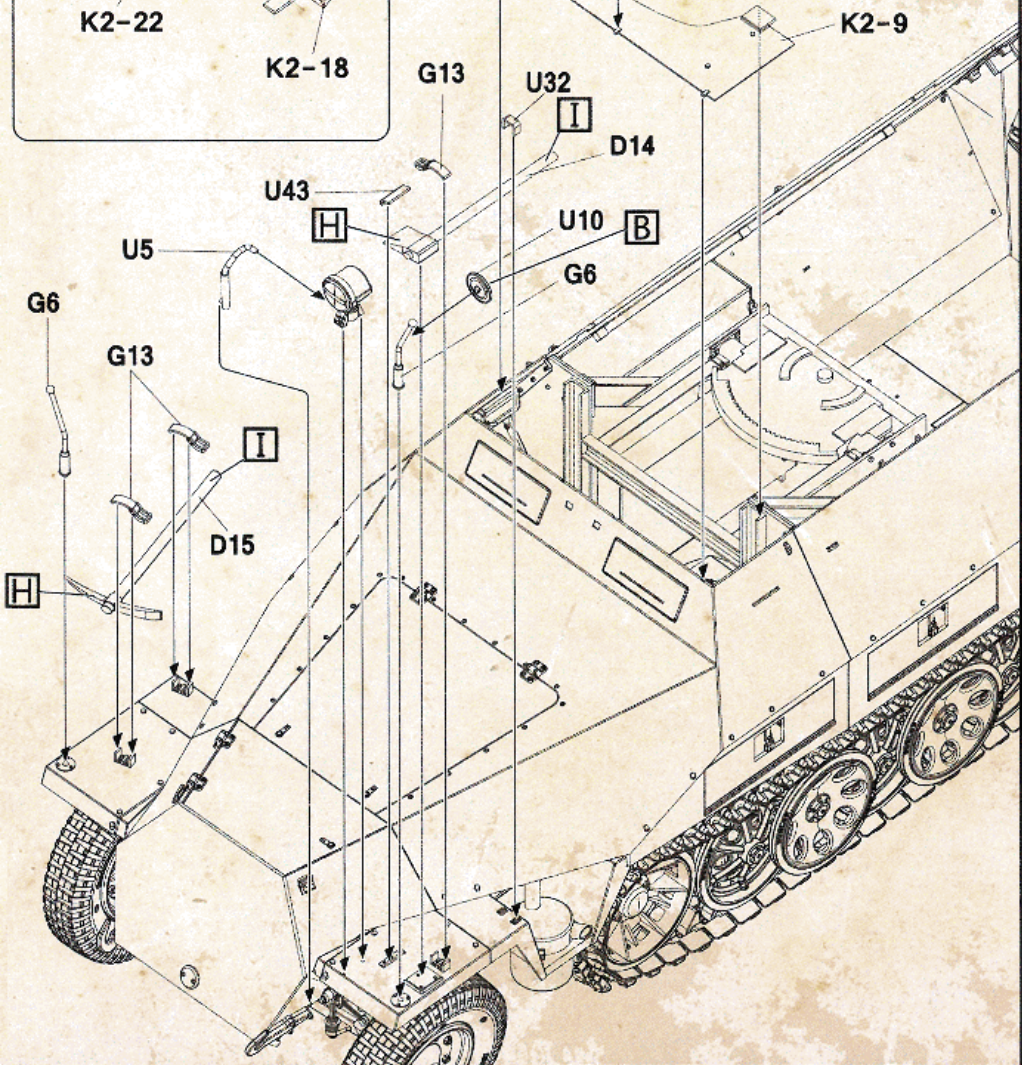
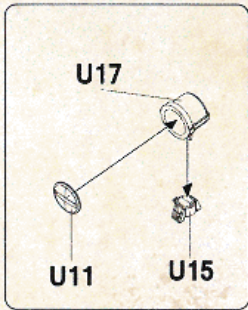
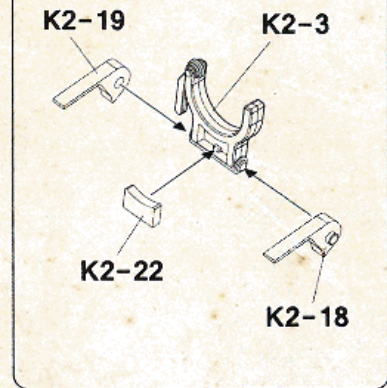




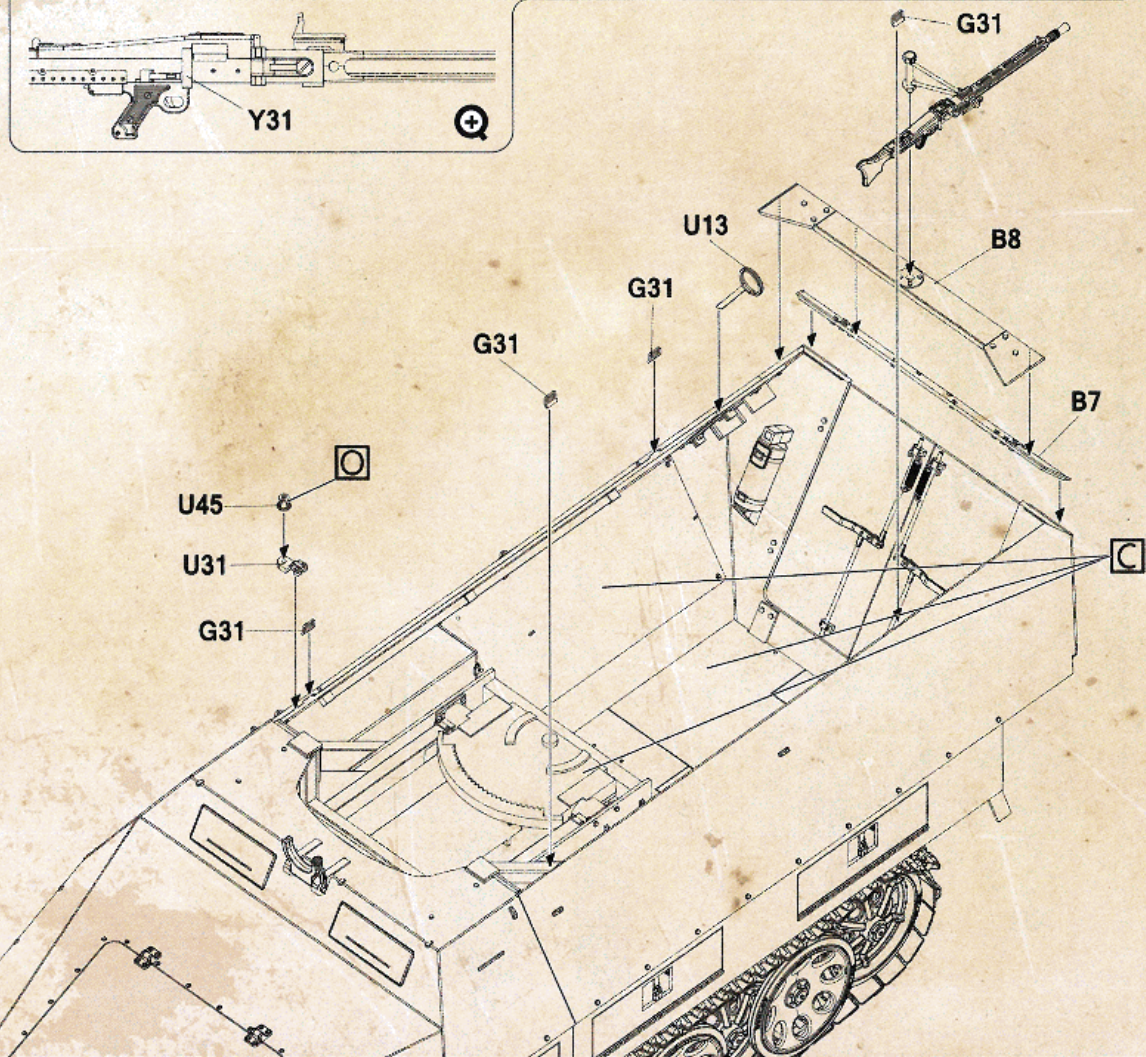
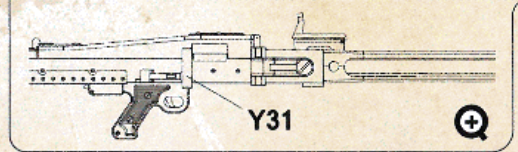
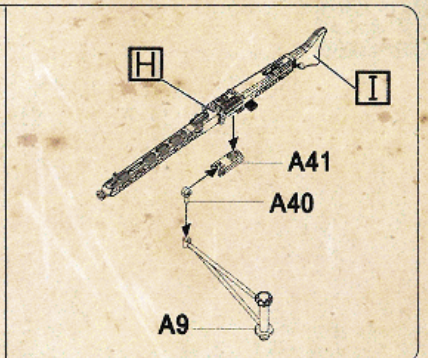
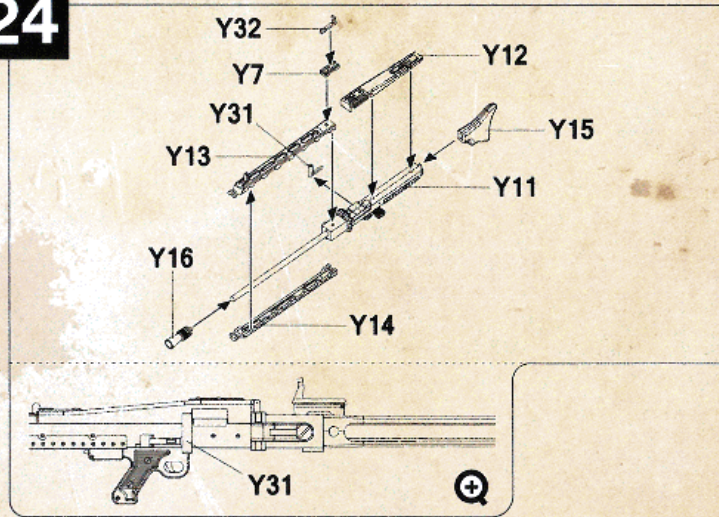


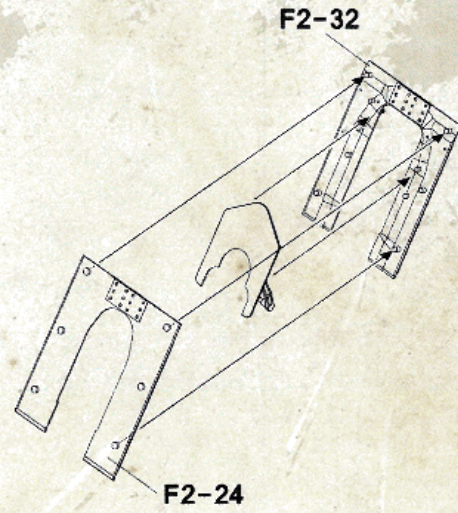
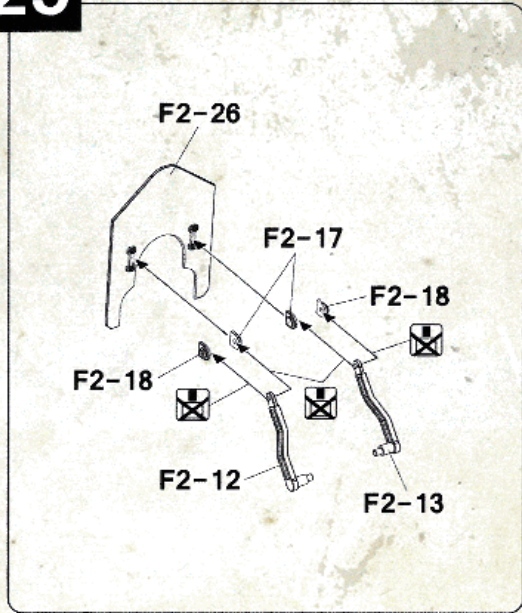


23

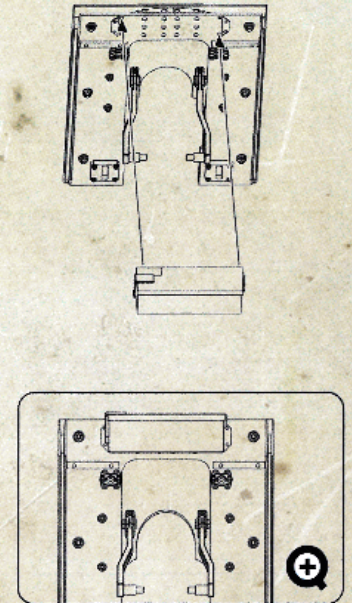
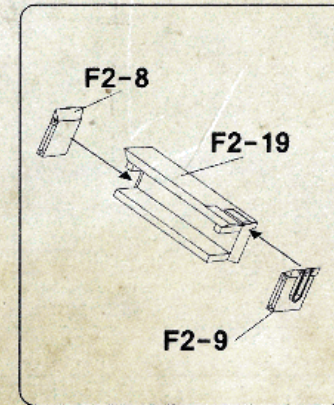


24

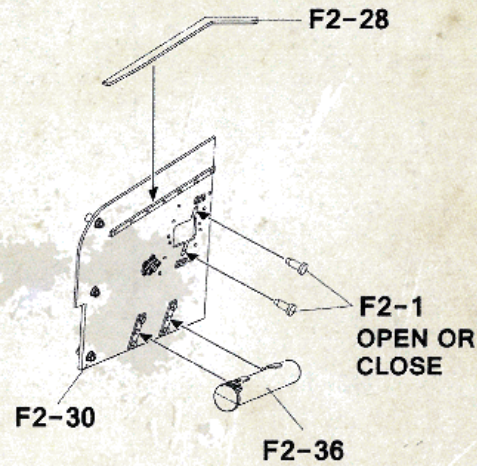
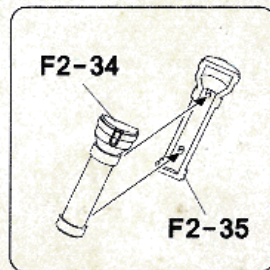
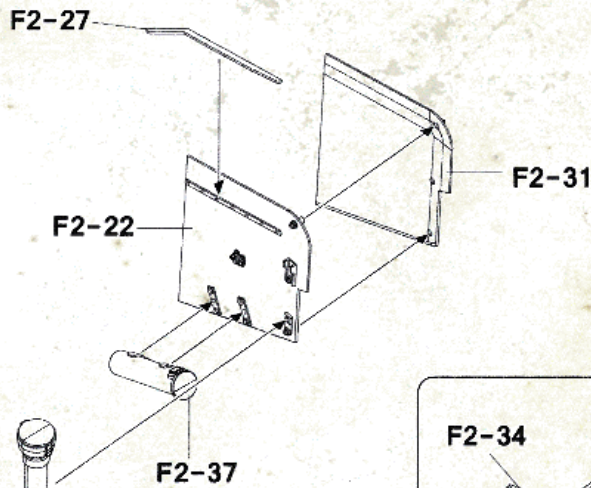




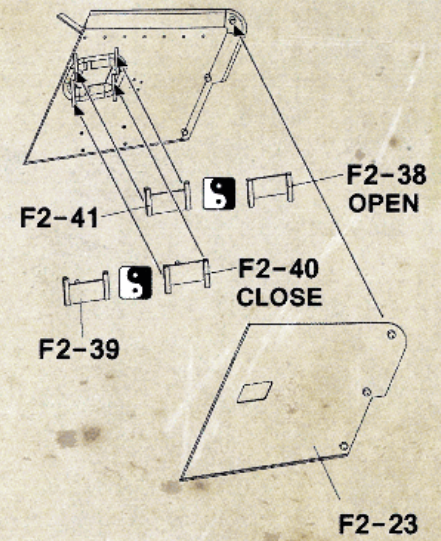
A



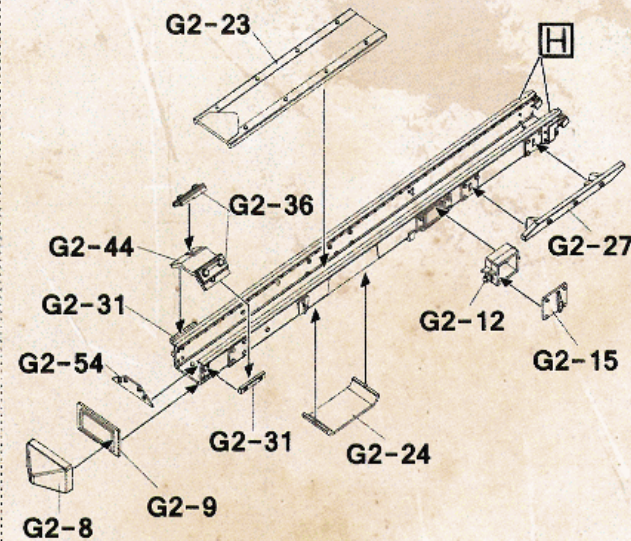
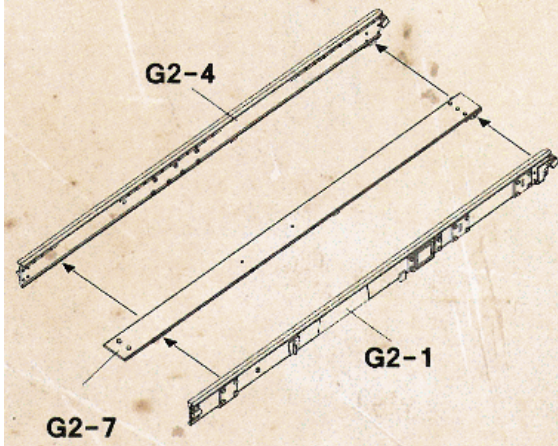
B



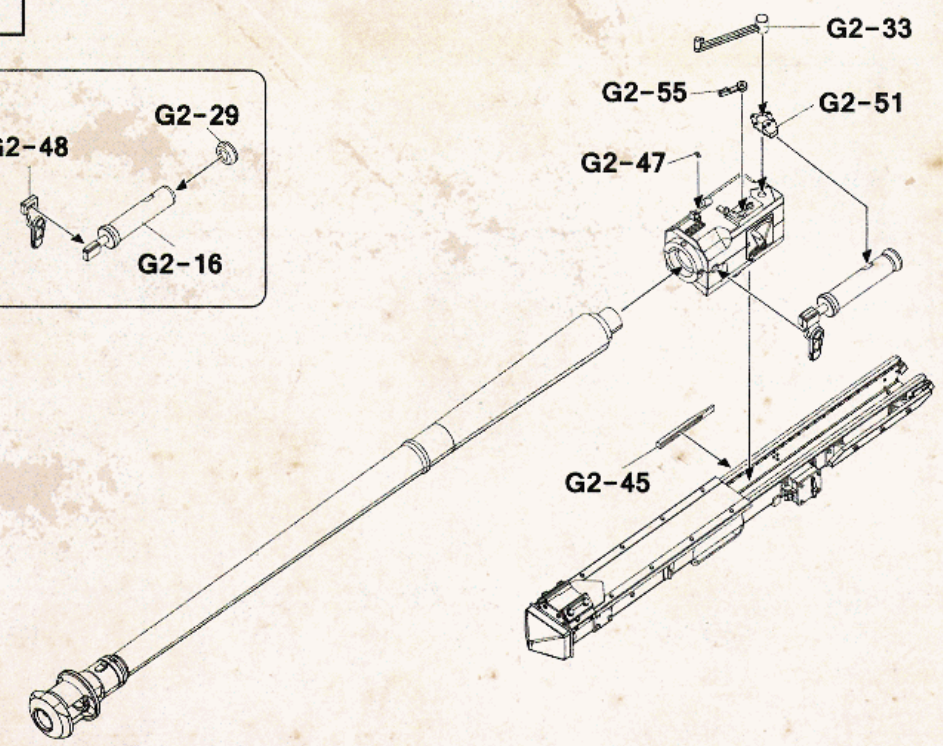
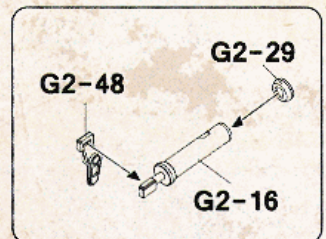
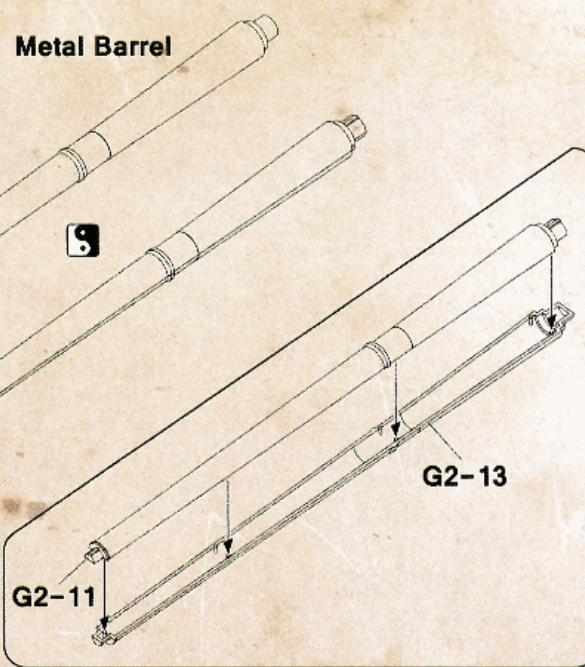
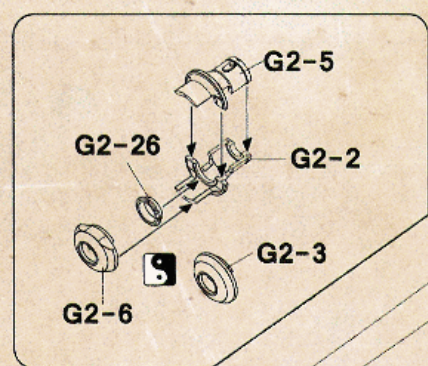
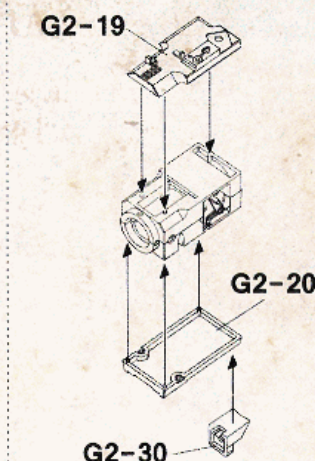
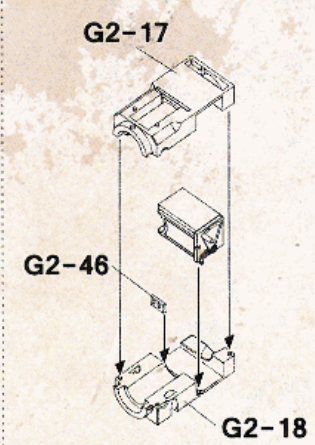
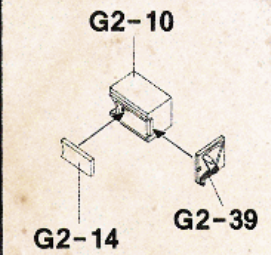
C

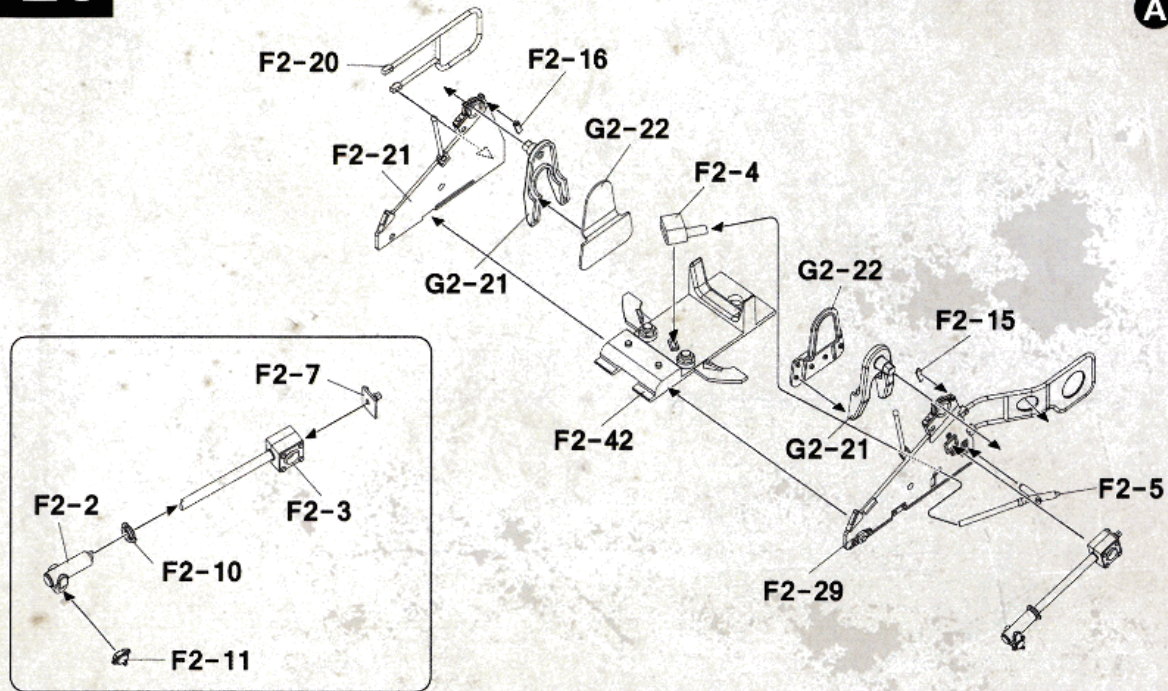


26



27

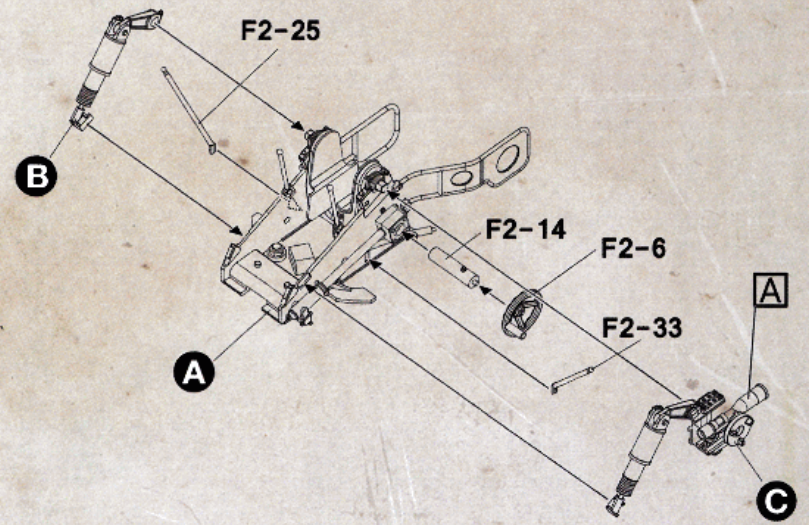
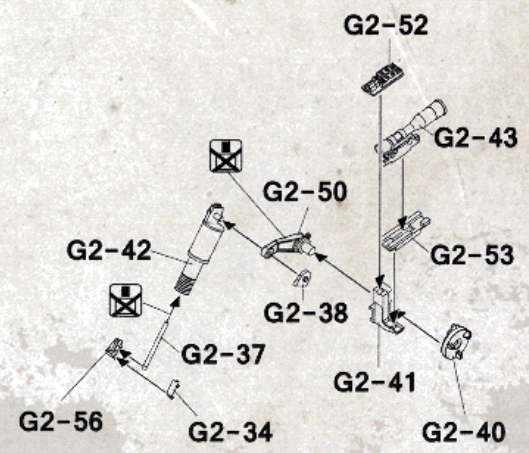
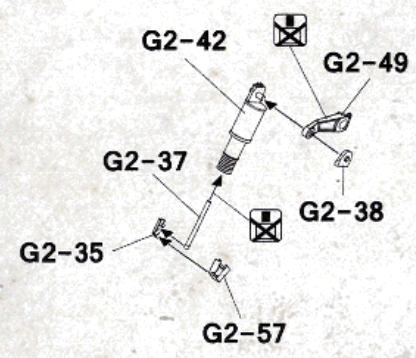


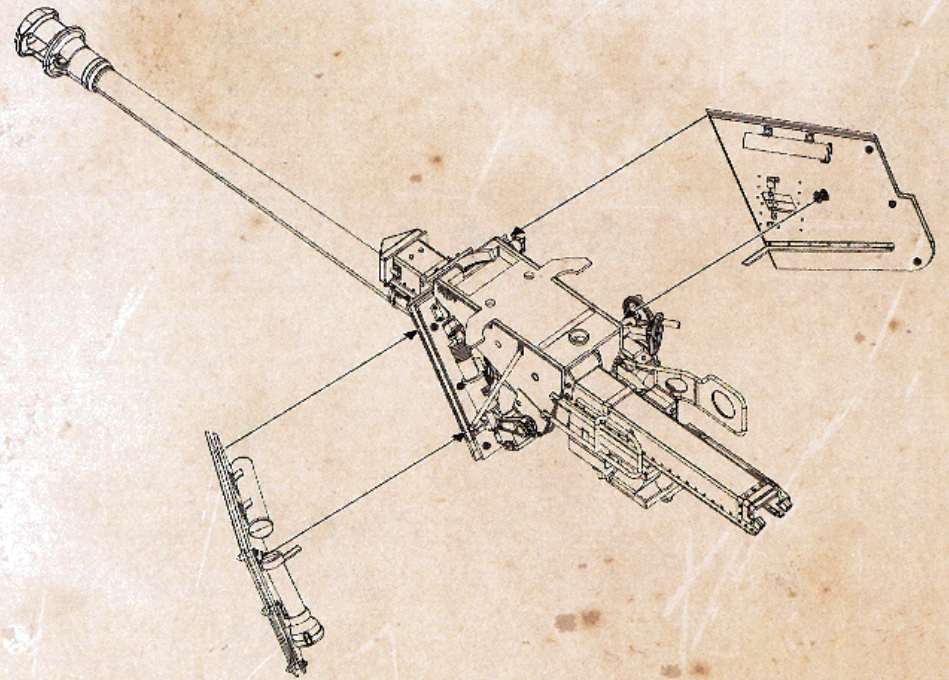
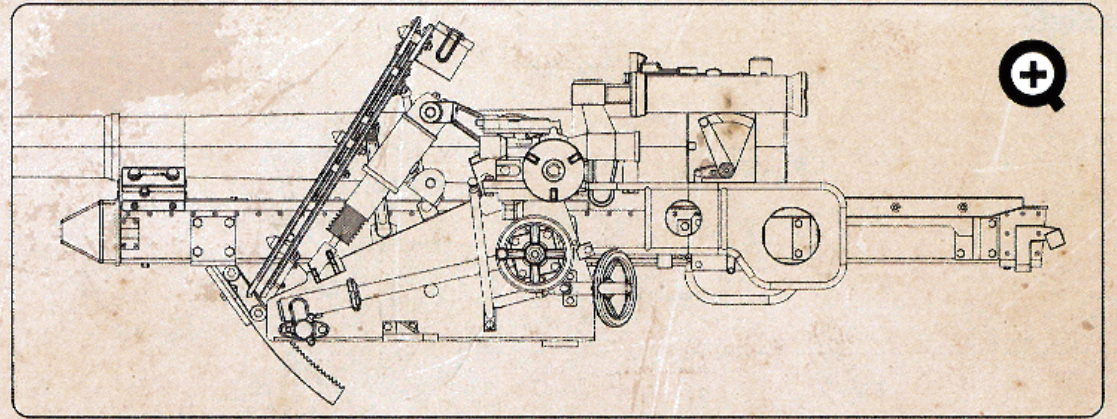
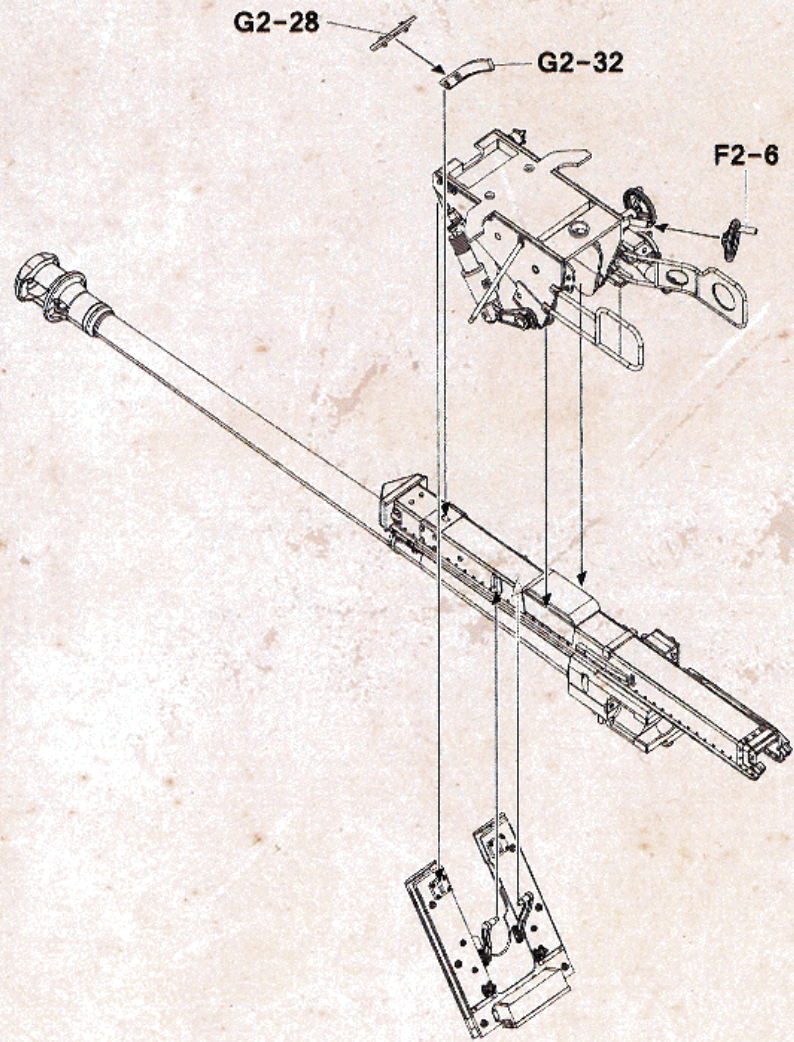


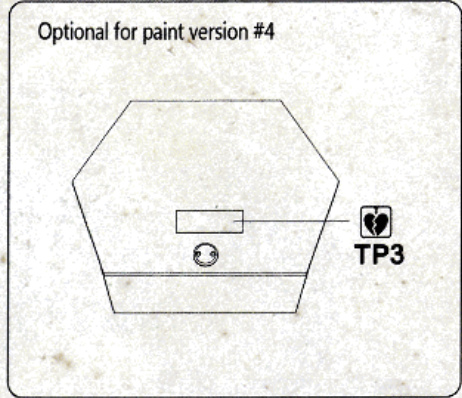
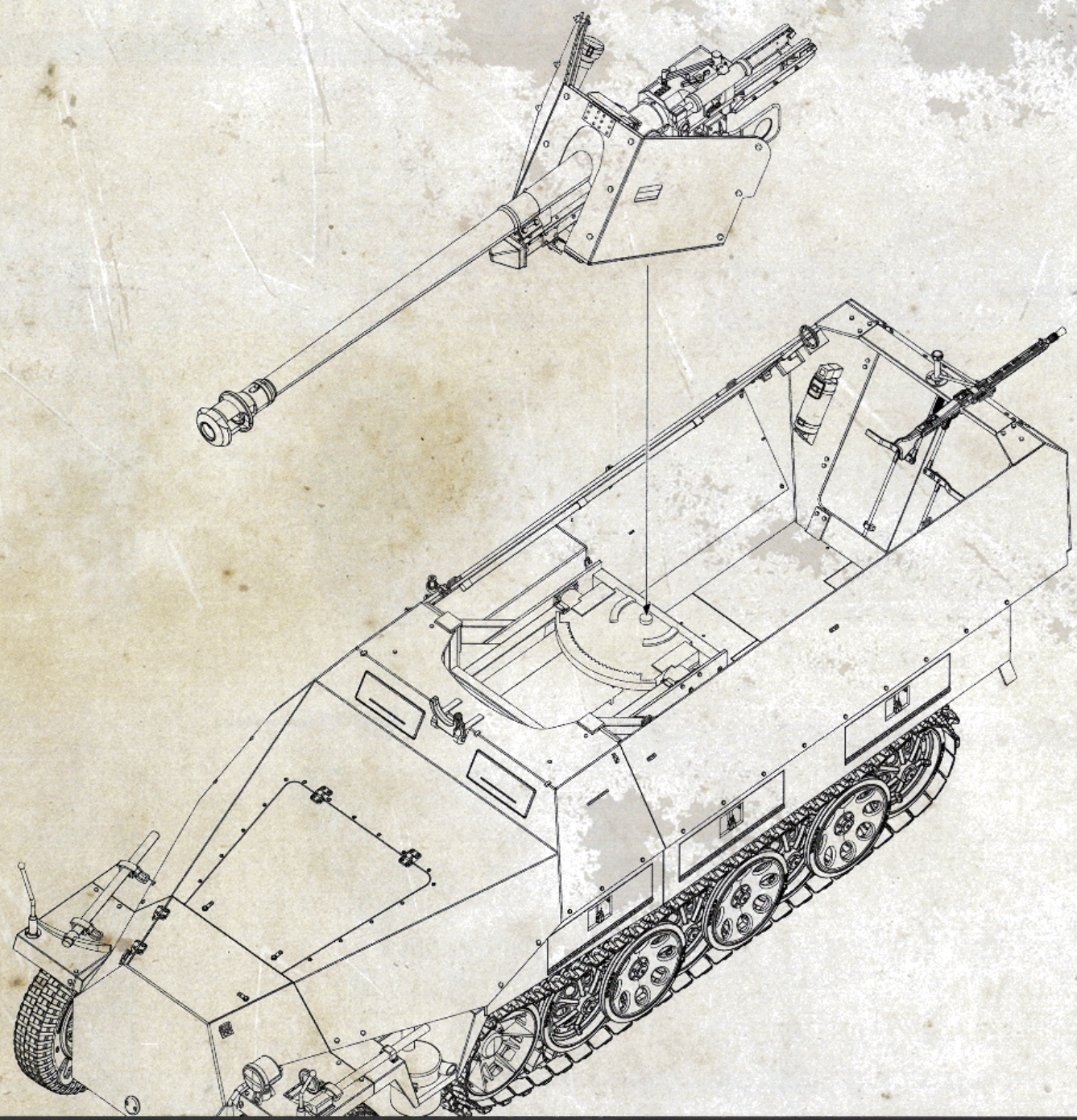
A

B

C



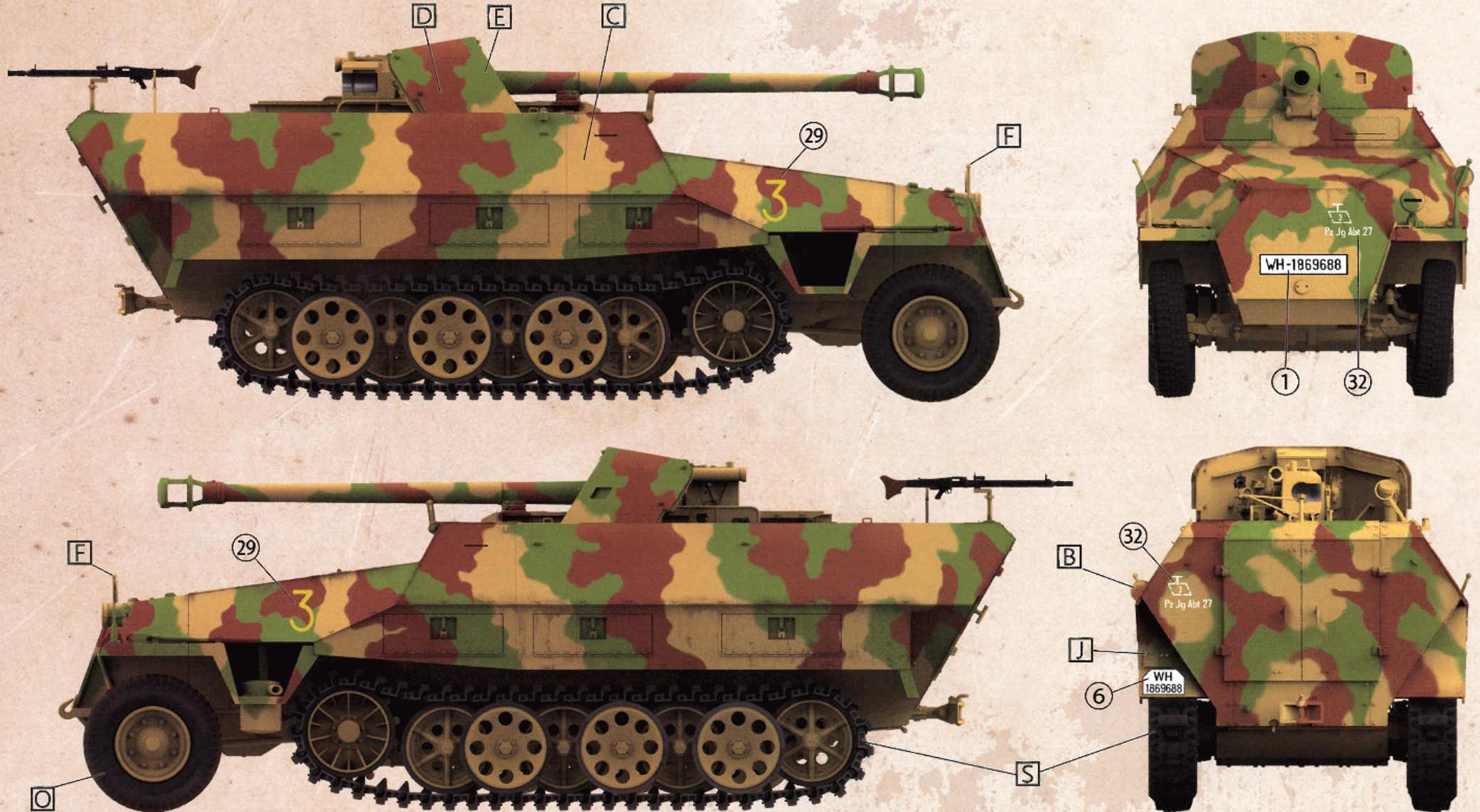




Sd.Kfz. 251/22 Ausf.D (late)

Painting and Marking Guide

17.Pz.Div., Pz.Jg.Abt.27, April 1945, Steinau/Oder, Lower Silesia

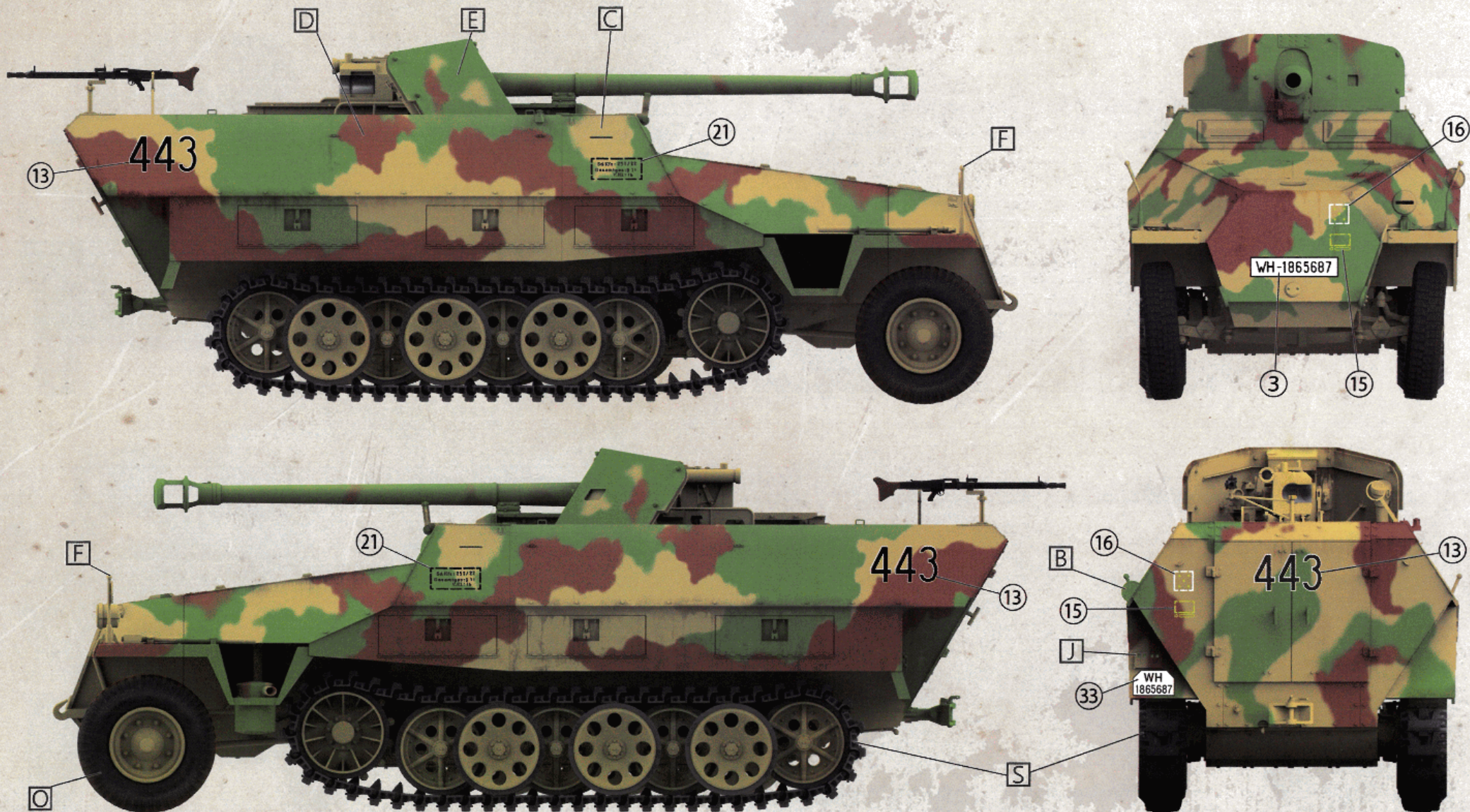




Sd.Kfz. 251/22 Ausf.D (early)

Painting and Marking Guide

8.Pz.Div., Pz.Aufkl.Abt.8, April 1945, Brünn / Brno, Czechoslovakia

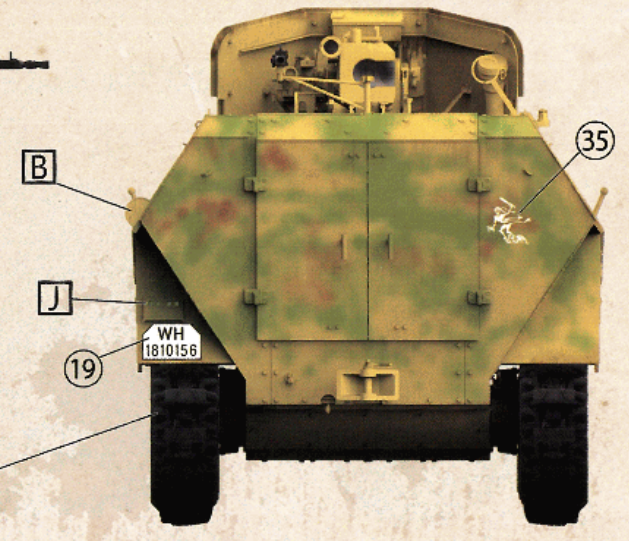
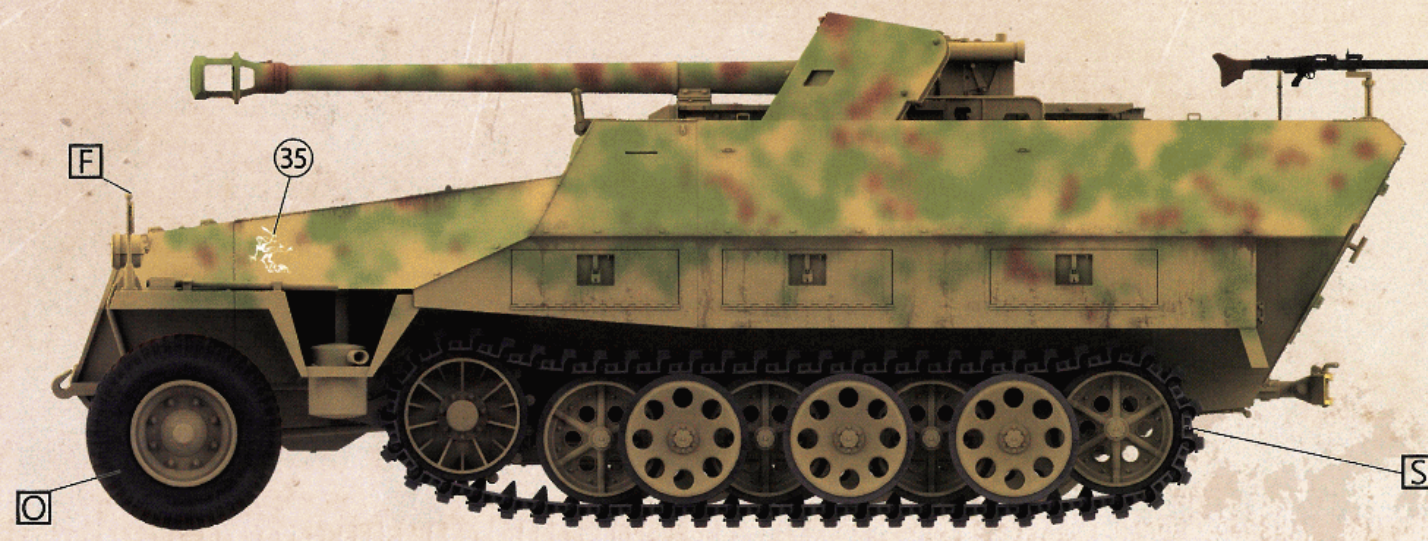
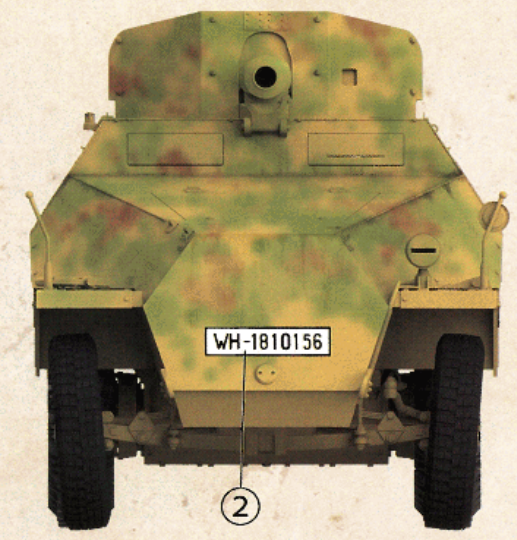
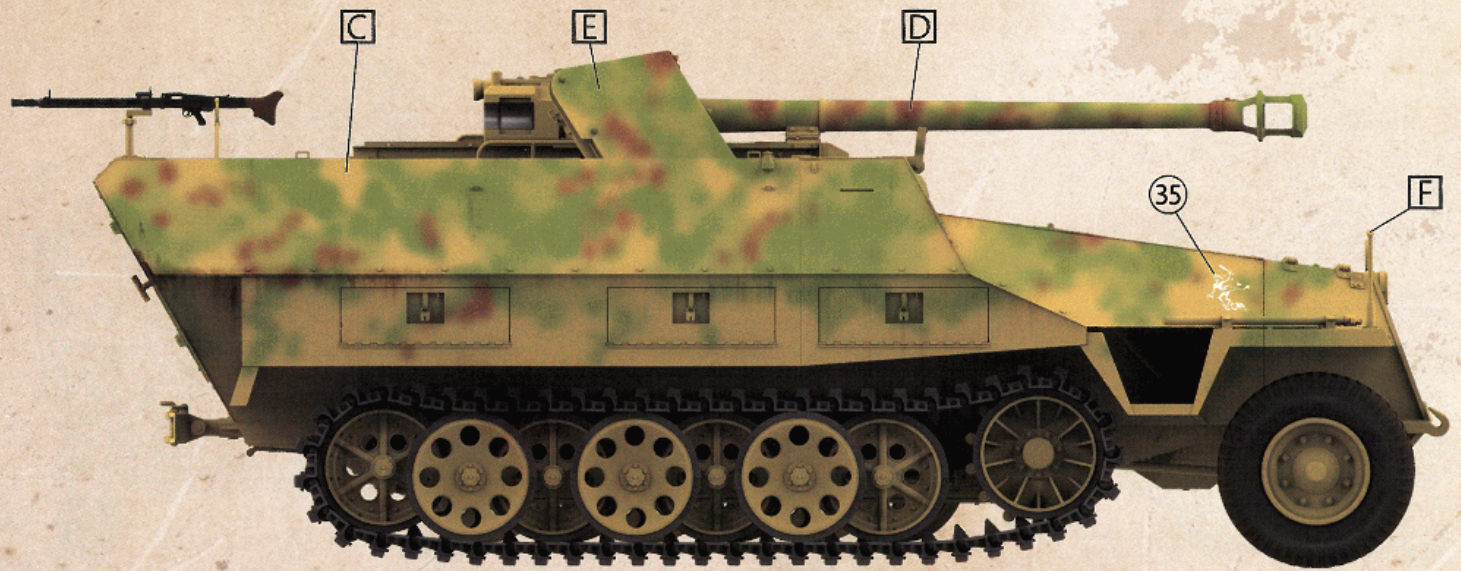




Sd.Kfz. 251/22 Ausf.D (late)

Painting and Marking Guide

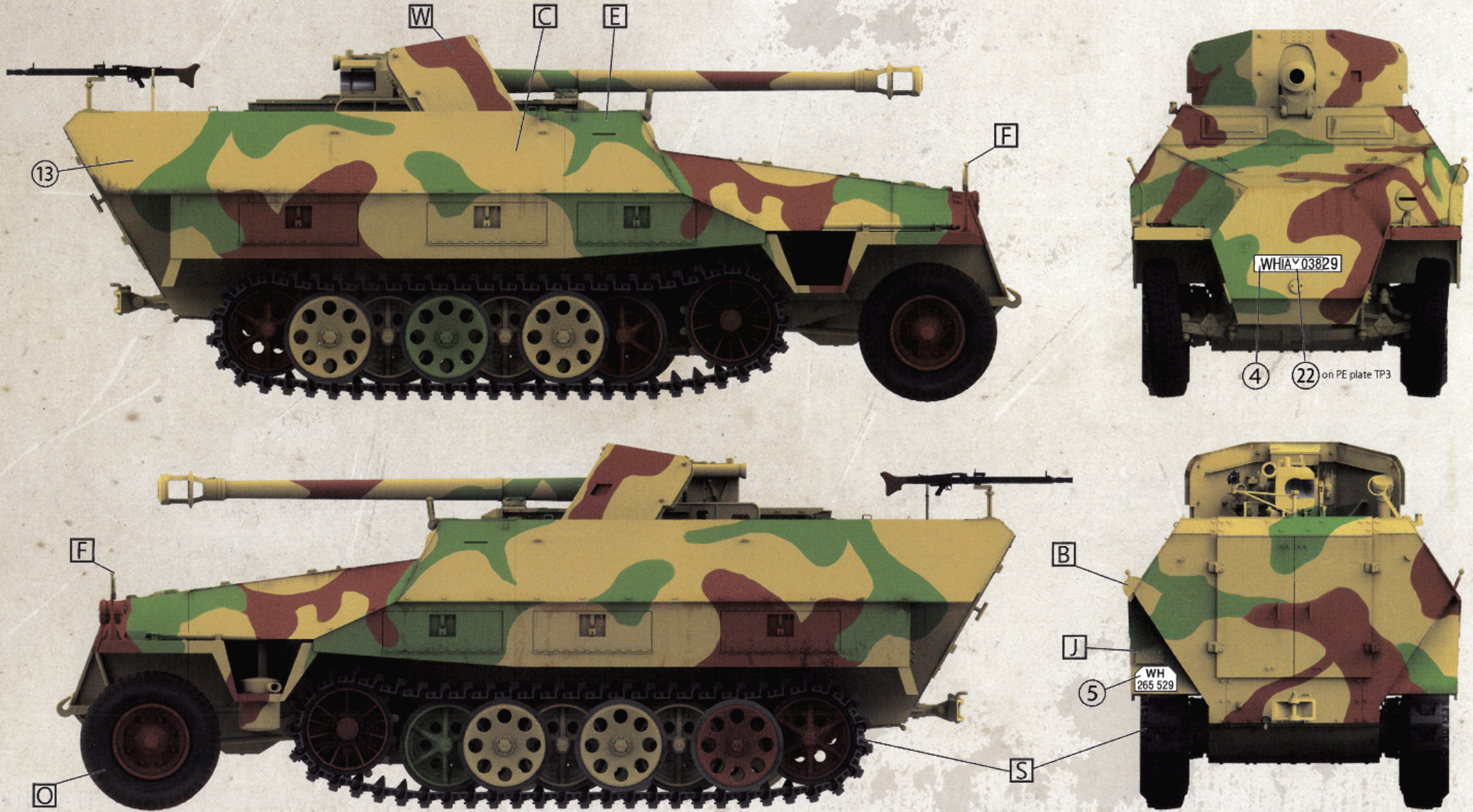
11.Pz. Division, 1.Kp. Pz.Jg.Abt.61, Western Front, March 1945, Remagen, Germany



Sd.Kfz. 251/22 Ausf.D (early)

Painting and Marking Guide

Pz.Div. "Müncheberg", Pz.Späh Kp., April 1945, Reichshauptstadt Berlin, Germany



Das Werk

Check out other great kits from us:



DW16006 - Sd.Kfz.234/2 „Puma“ (1:16)



DW35039 - Eagle IV EKT/FüPers (1:35)



DW35012 - Trippel SG 6/38 (1:35)



DW35024 - 8,8cm Flak auf VOMAG (1:35)



DW35035 - Rak.Jg.Pz. Jaguar 1 (1:35)



DW16005 - Sd.Kfz.251/1 (1:16)