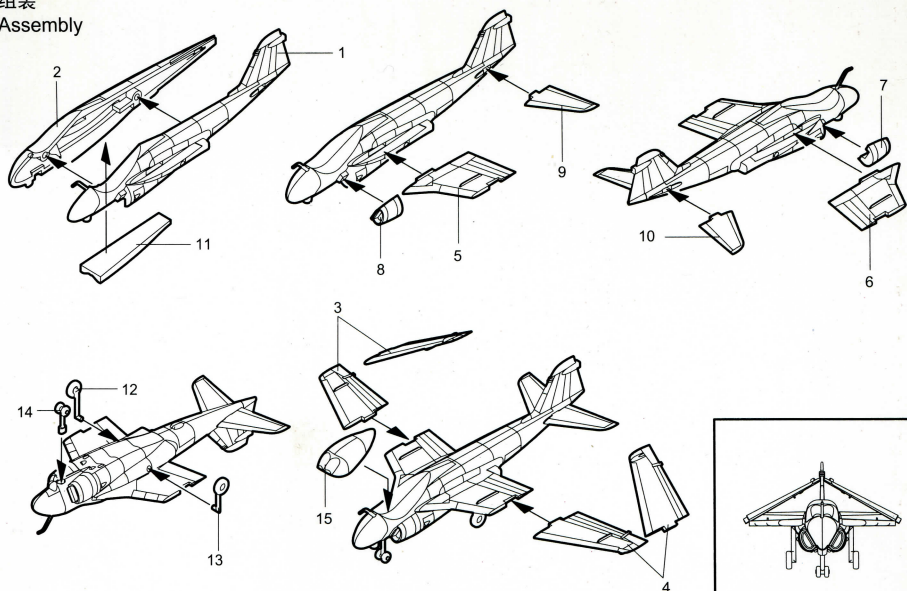
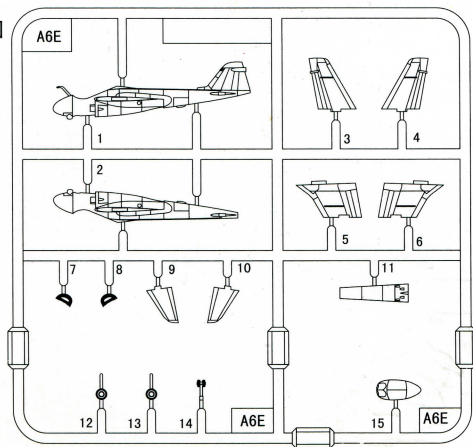


# 组装

## Assembly



## 部品图 Parts



贴纸和涂装请参照侧图

Marking and painting refer to profiles.

