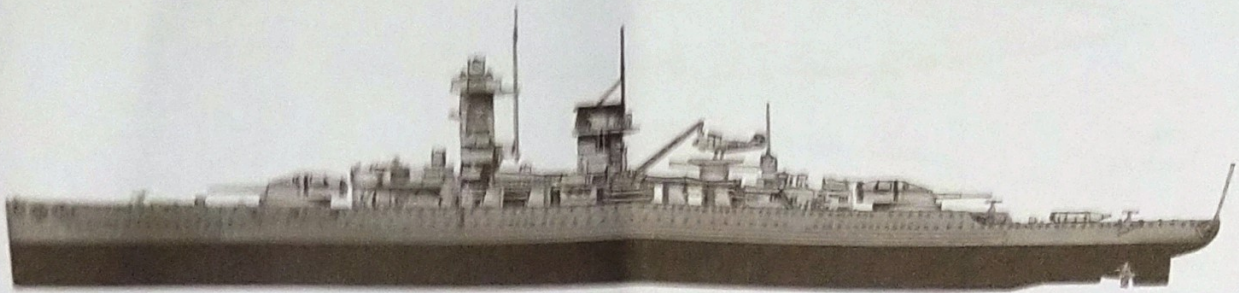


1:700 SCALE

ITEM NO.:05773



German Pocket Battleship(Panzer Schiff) Admiral Graf Spee 1937

德国袖珍战列舰格拉夫·斯佩上将号1937年

READ BEFORE ASSEMBLY:

- Study and understand these instructions thoroughly before beginning assembly
- When needed, remove photo-etch parts carefully using a modeling knife or photo etch sprue cutter, being careful not to damage or lose small parts.
- Take extra care in handling photo etch parts in order to avoid injury
- Apply instant cement sparingly to photo etch parts where instructed
- Tools recommended(not included in kit):Plastic and instant cements, sprue cutters,long nose pliers,modeling knife, small files, tweezers, pin vise & scissors. Soft cloth and sandpaper will also assist in construction
- Glue and paint are not included in the kit. Use plastic cement and hobby paints only. Color guide for purchasing paint is included in the kit.

装配之前仔细阅读

- 小心用模型锉刀锉平所有零件表面的注射浇口。
- 小心用刀片切下蚀刻片零件，不要遗失小零件。
- 用强力快干胶水粘合蚀刻片零件和金属轴。过量快干胶水使用可能导致可动零件会粘住，小心涂胶。
- 取蚀刻片时应特别注意安全，防止利边划伤手指。
- 某些零件表面需贴水上贴纸，请选择在装配的同时进行。
- 推荐模型工具(自备)：胶水，水口剪刀，长咀钳，刀片，锉刀，镊子，钳，钻，剪刀，瞬间快干胶。
- 软布同砂纸同时也应该是必备工具。
- 请使用塑料胶水和油漆，模型内不含。



配重
Weight



使用强力胶
Cyanoacrylate glue



钻孔
Make hole



切除
Cut / Remove



贴纸
Decal



锉平
File / Sand



选择
Option



不涂胶水
No cement



弯曲
Bend

水贴纸的使用:

- 1.从水贴纸上剪下印花;
- 2.将印花放入温水中浸10秒,然后放在干净布上。
- 3.拿着印花纸板将印花移到模型上;
- 4.手指蘸水将印花移到适当的位置;
- 5.用软布轻压印花直至水干, 气泡消失

DECAL APPLICATION

- 1.Cut decals from sheet as needed
- 2.Dip the decal in warm water for about 10 seconds and then place on soft clean cloth.
- 3.Hold the decal backing sheet edge and gently slide the decal onto the model in its proper position.

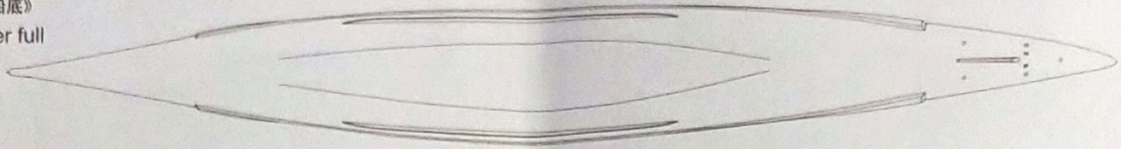
- 4.While still wet,decal can be adjusted for better fit on model by dampening it gently with your finger.
- 5.When placed in the proper position,gently press decal down with a soft cloth until excess water and air bubbles are gone.
- 6.Allow decal to dry completely before handling model

部品图 Parts

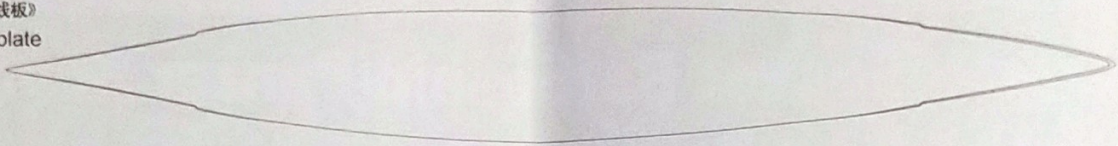
《上船体》
Upper hull



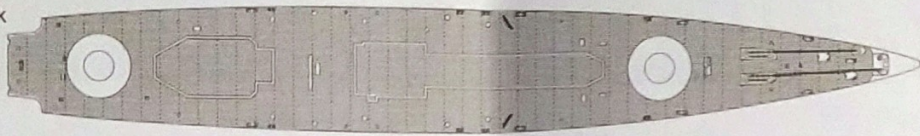
《下船底》
Lower hull



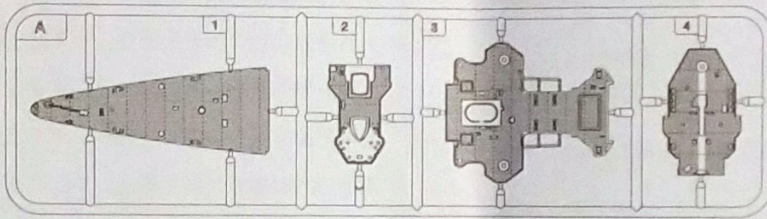
《水线板》
WL plate



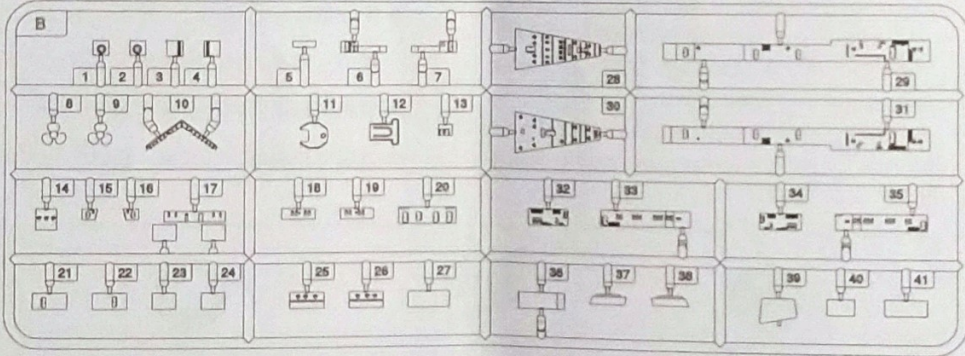
《前甲板》
Fore deck



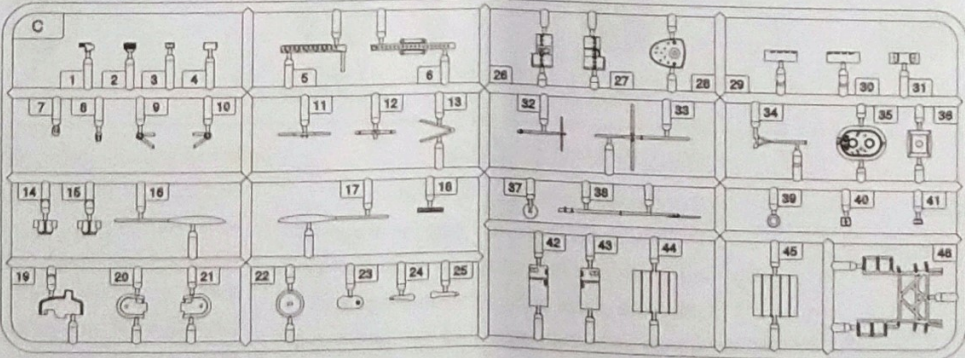
A



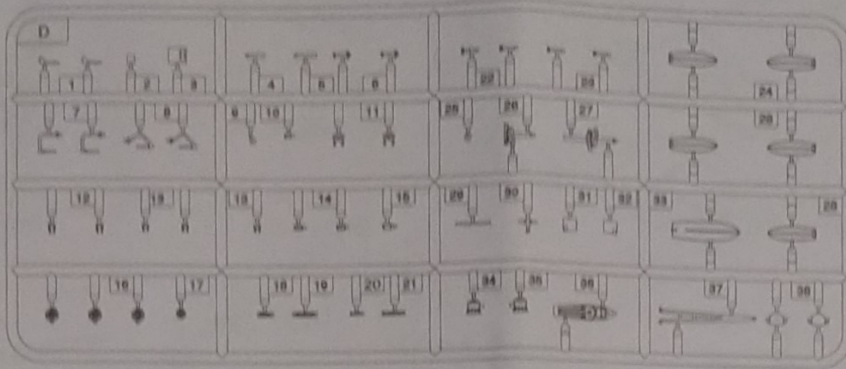
B



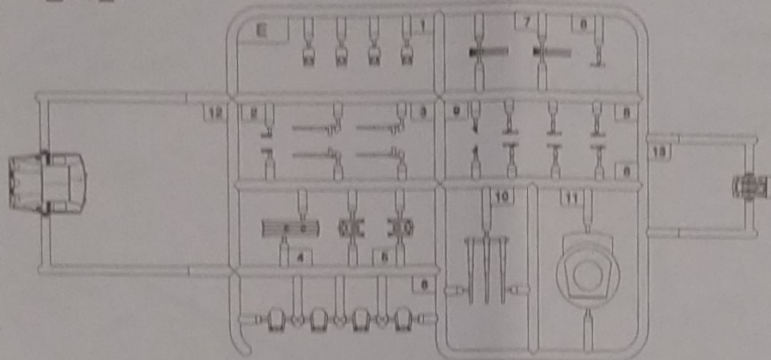
C



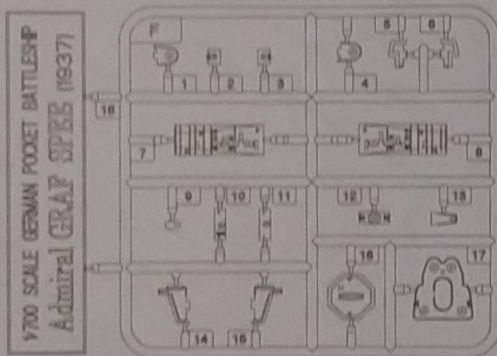
D×2



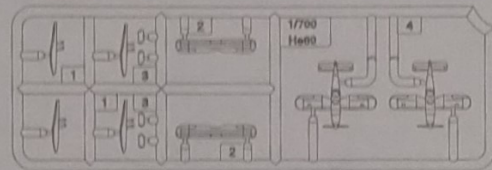
E×2



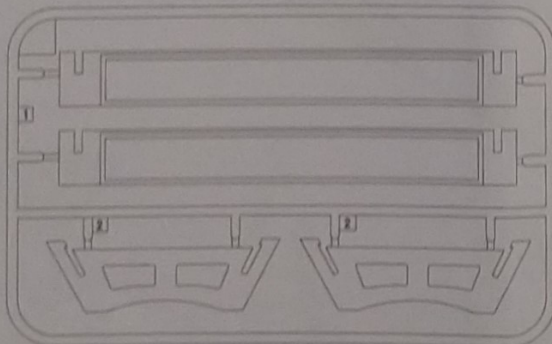
F



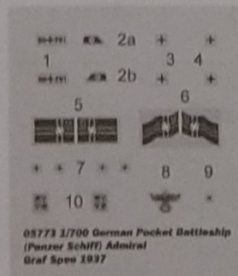
He60



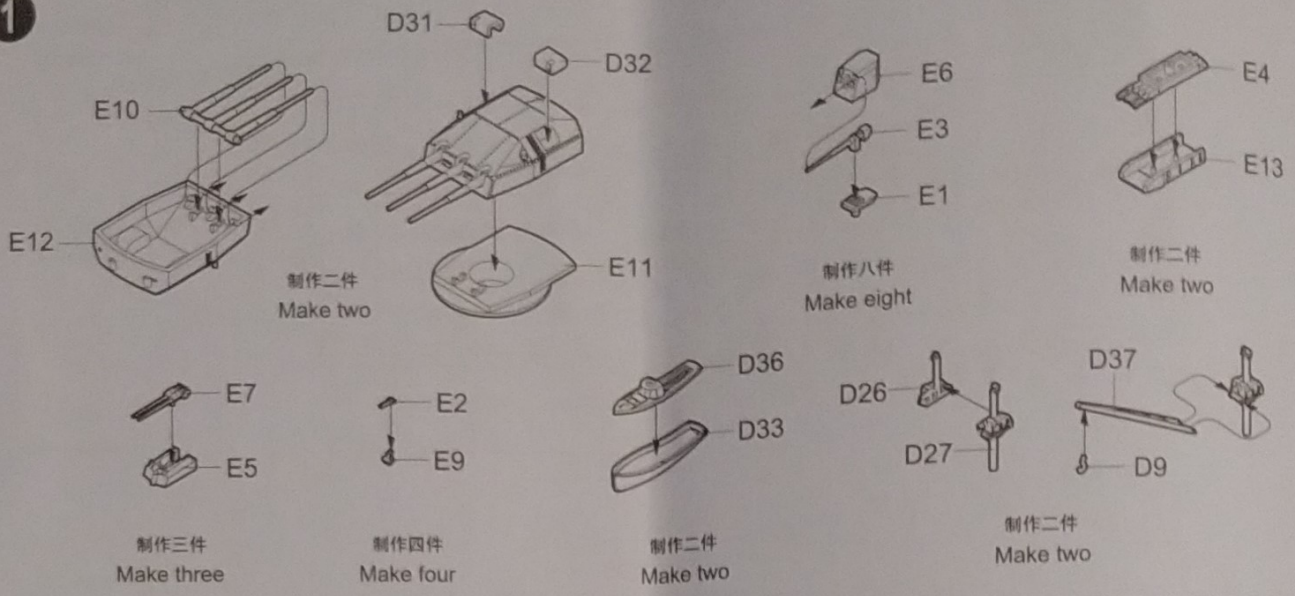
《座架》
Stand



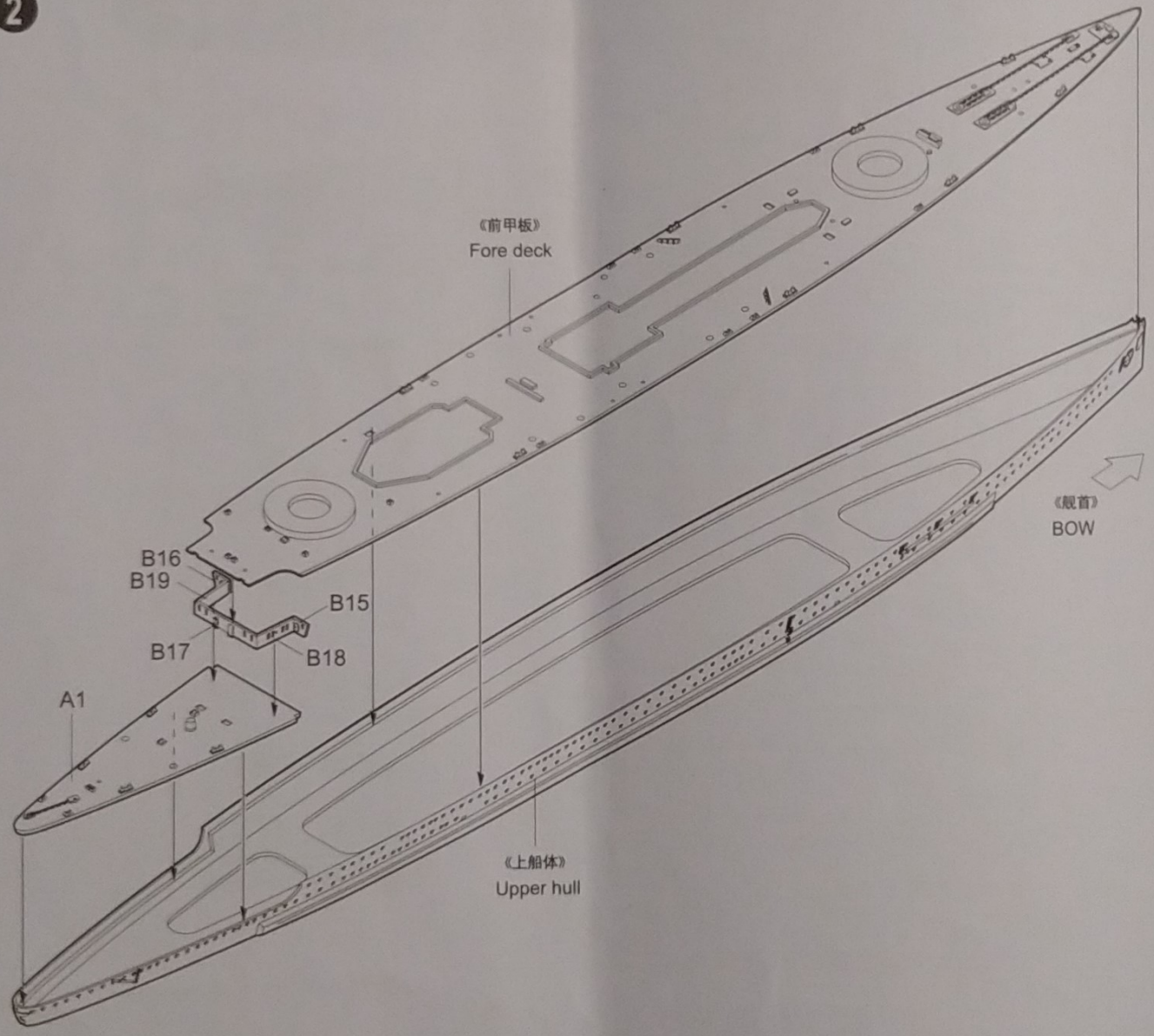
水貼紙
Decal



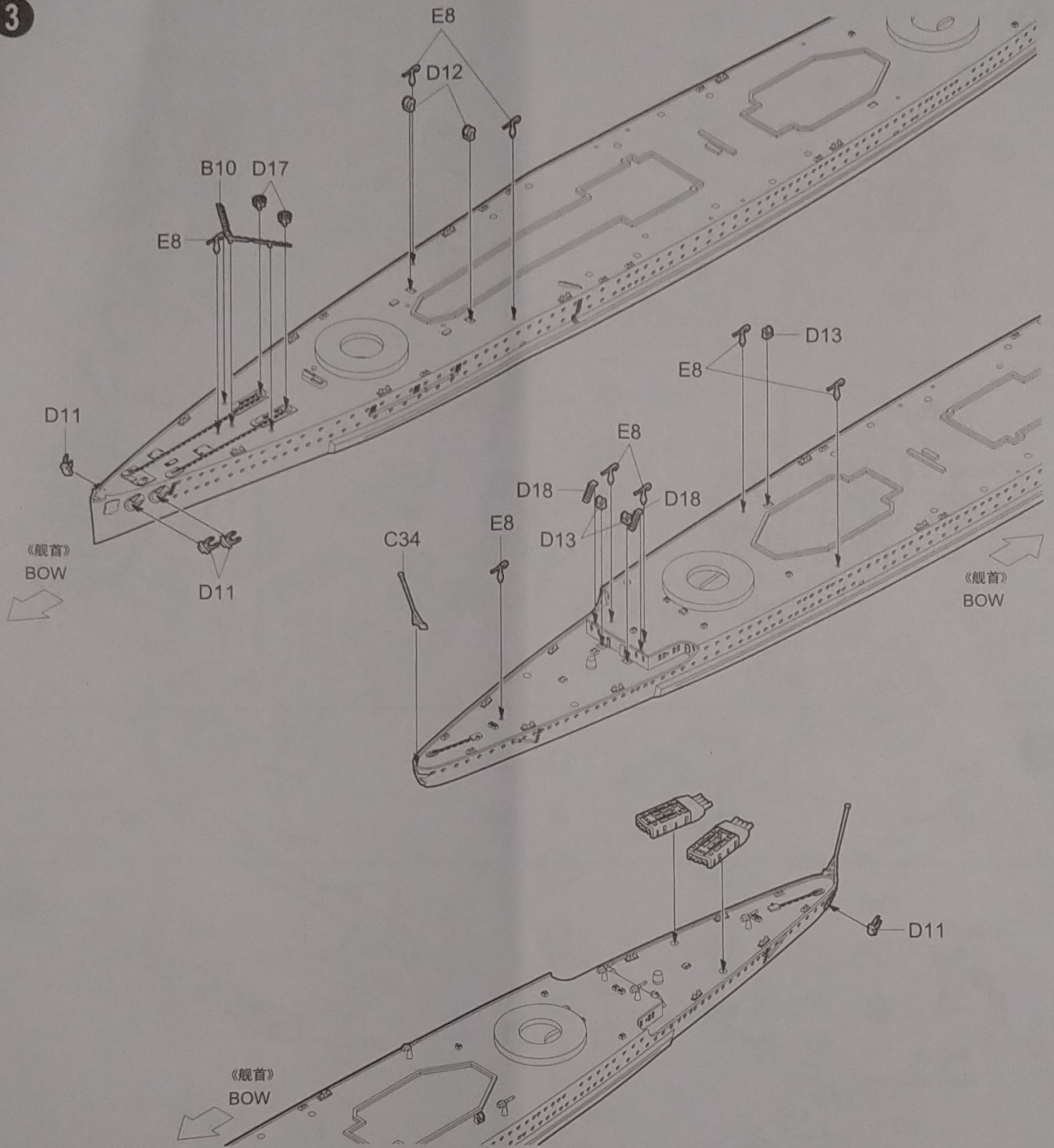
1



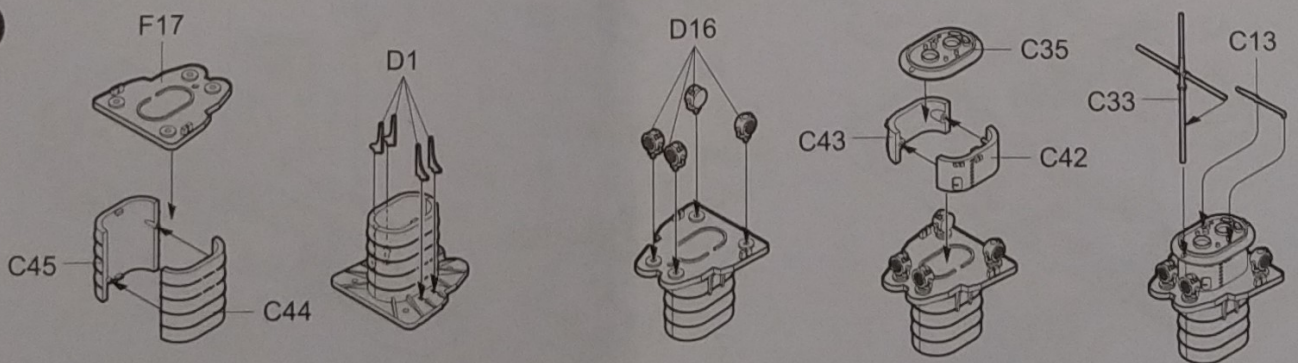
2



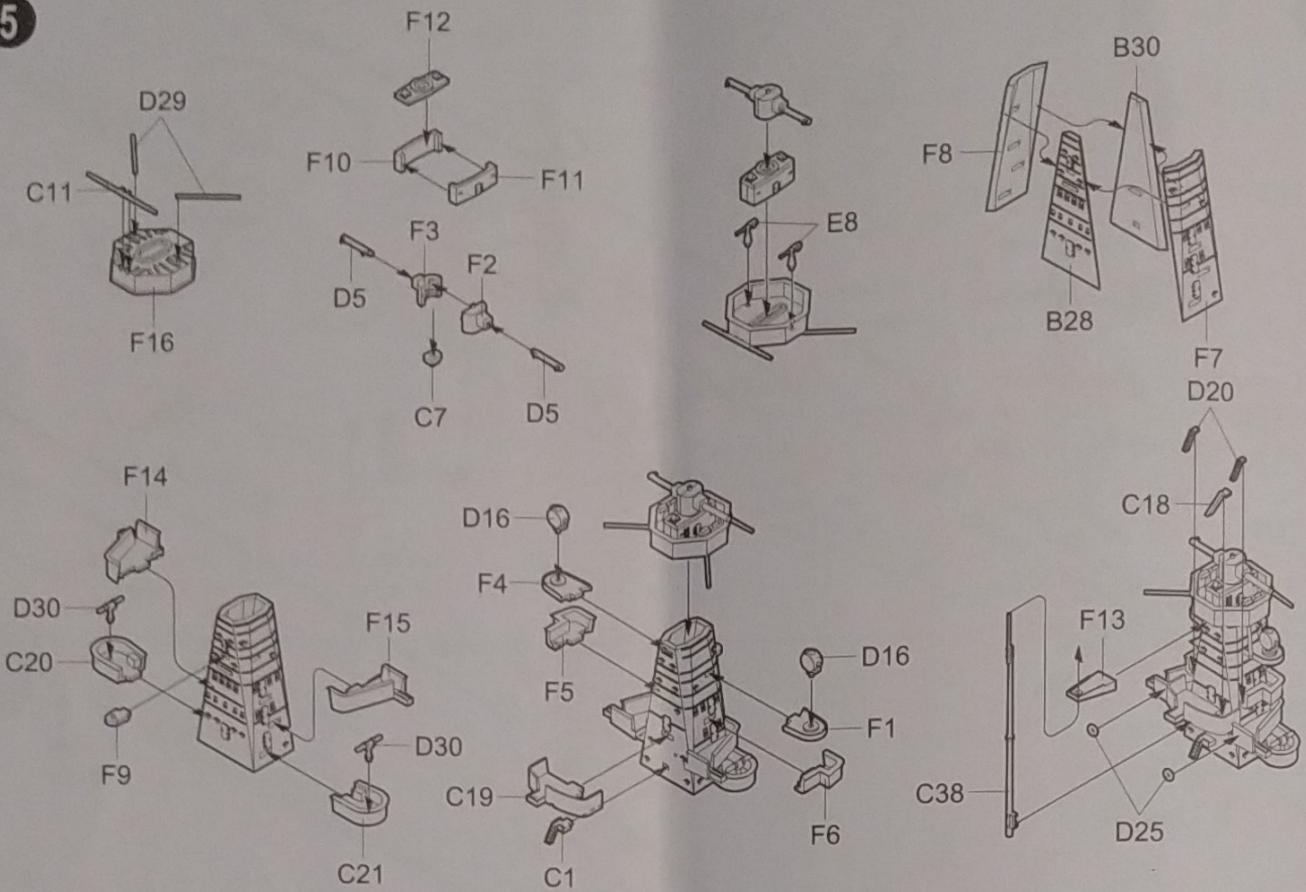
3



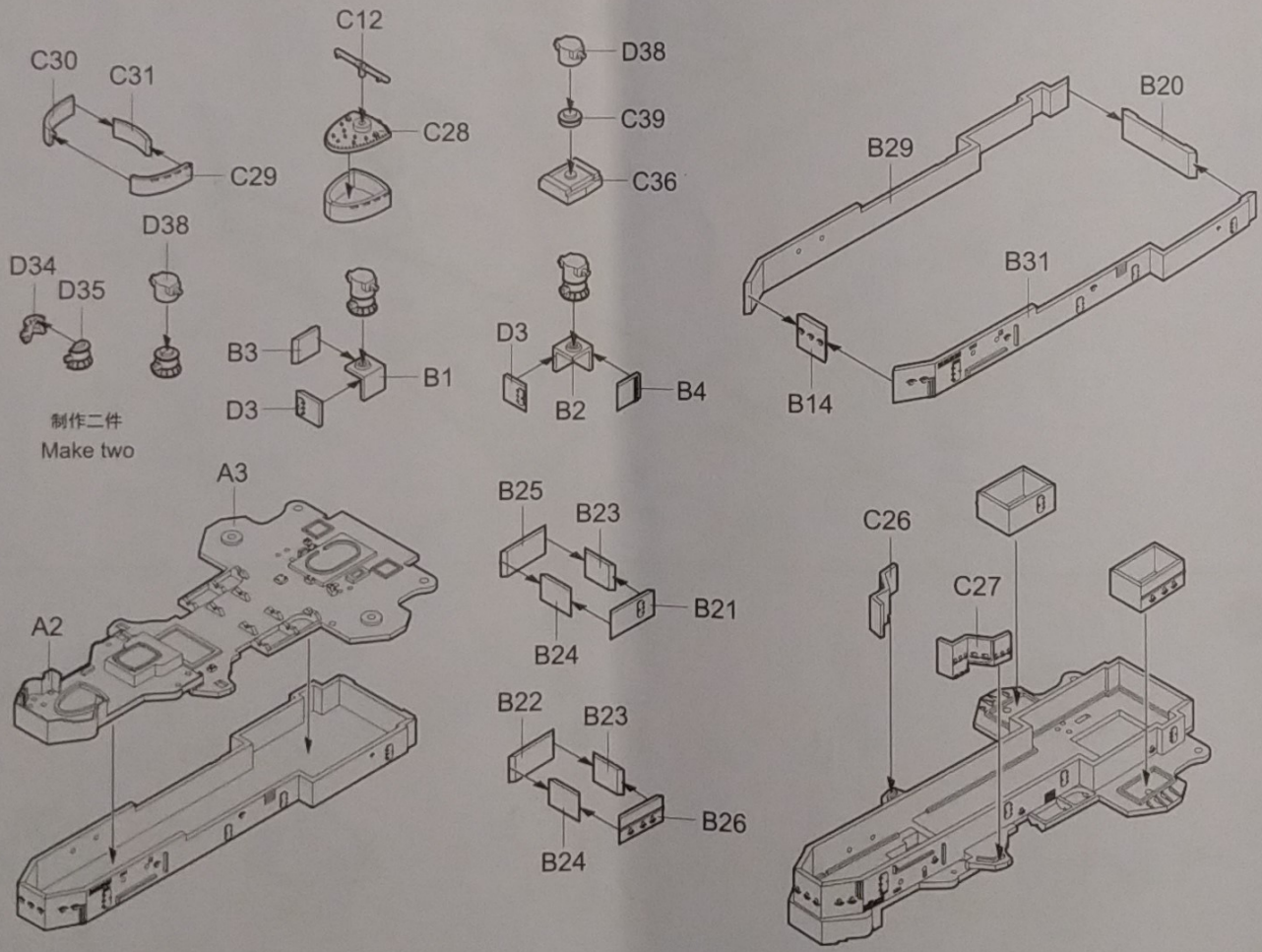
4



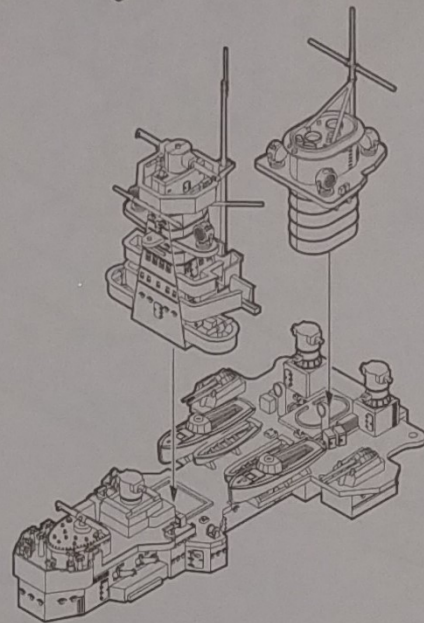
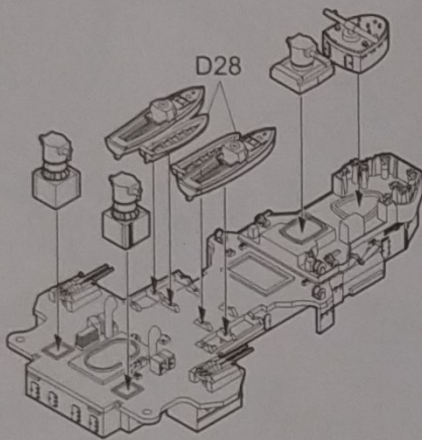
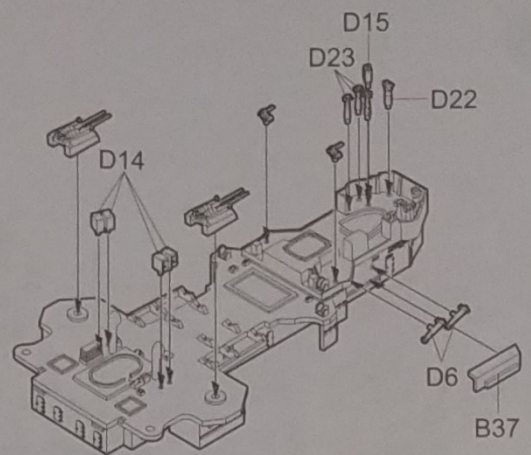
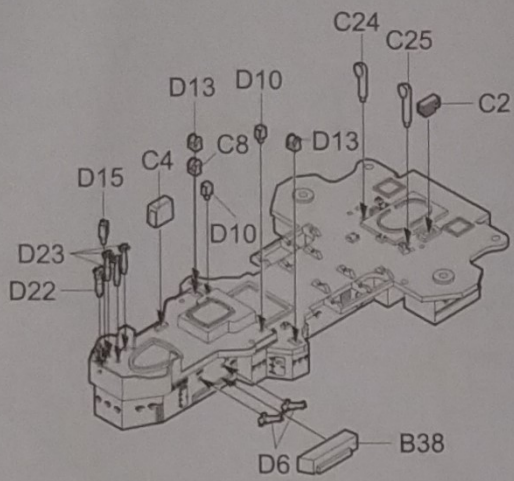
5



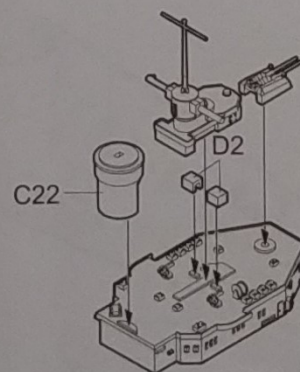
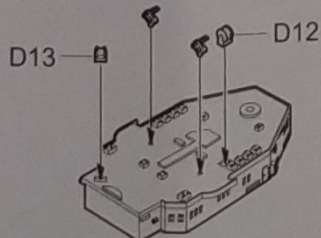
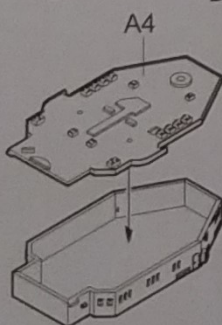
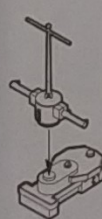
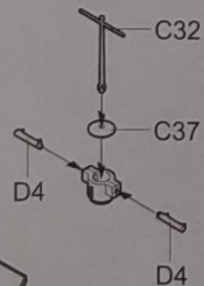
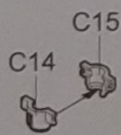
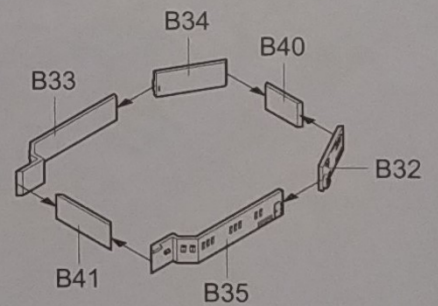
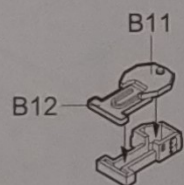
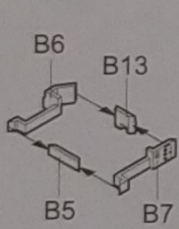
6



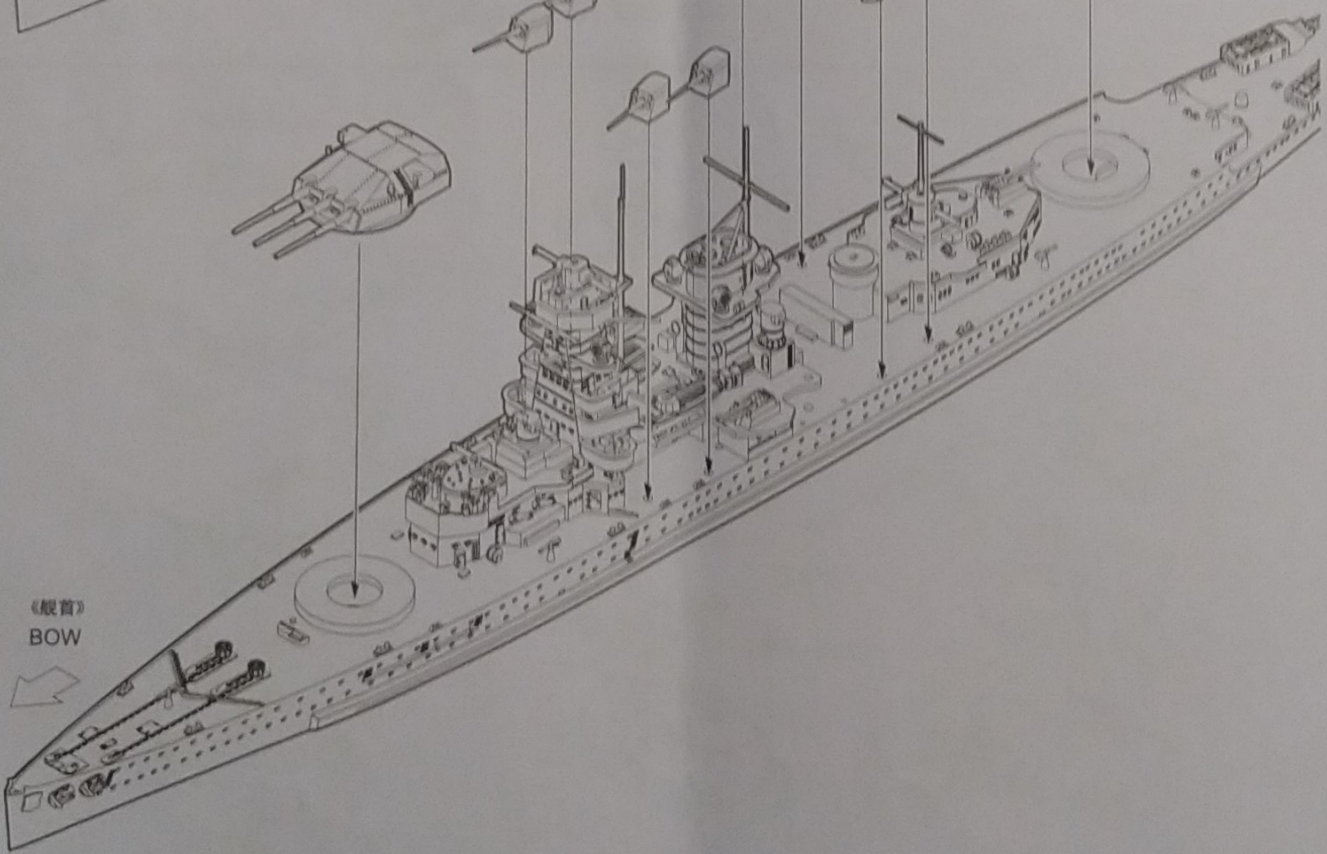
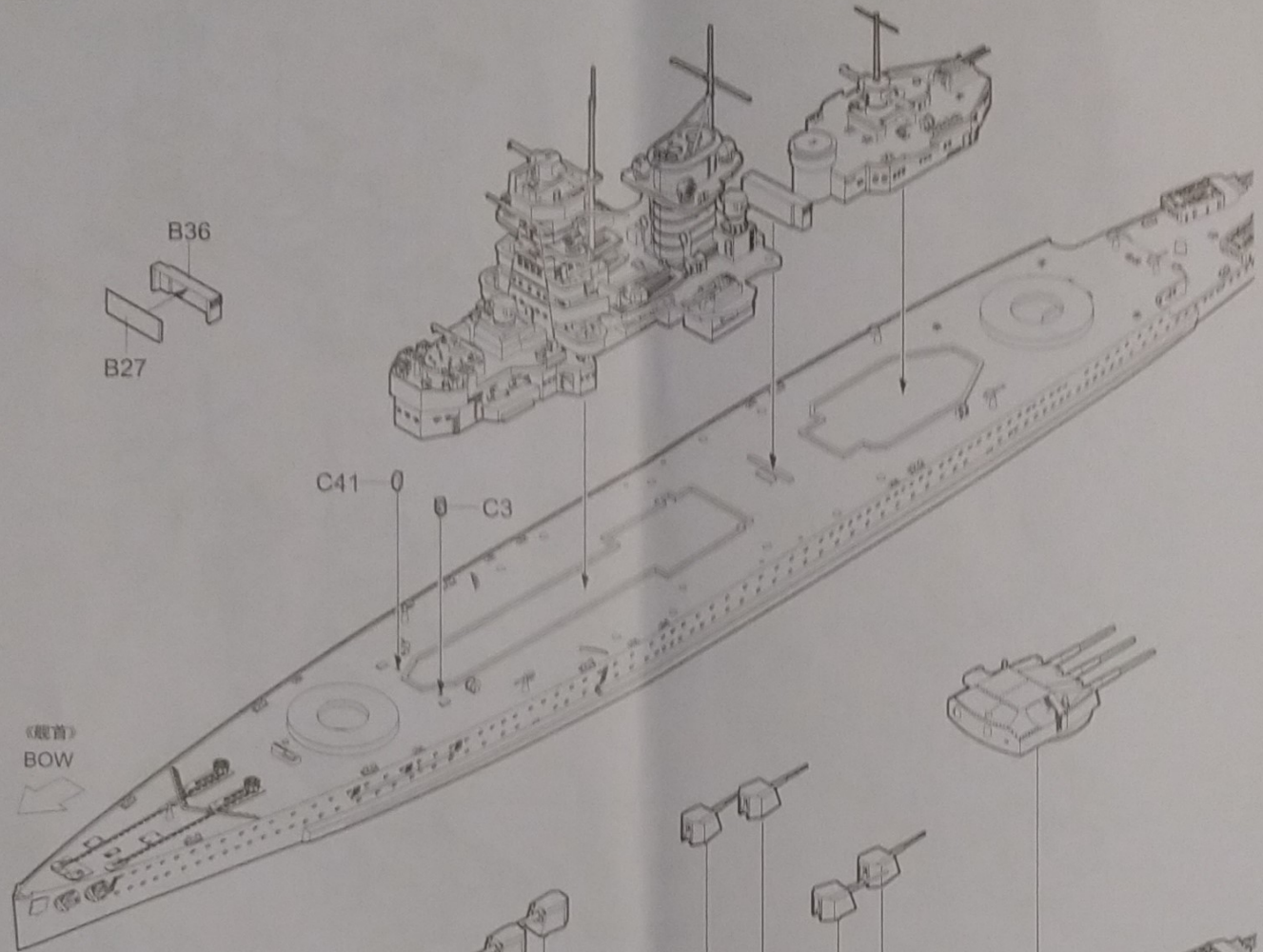
7



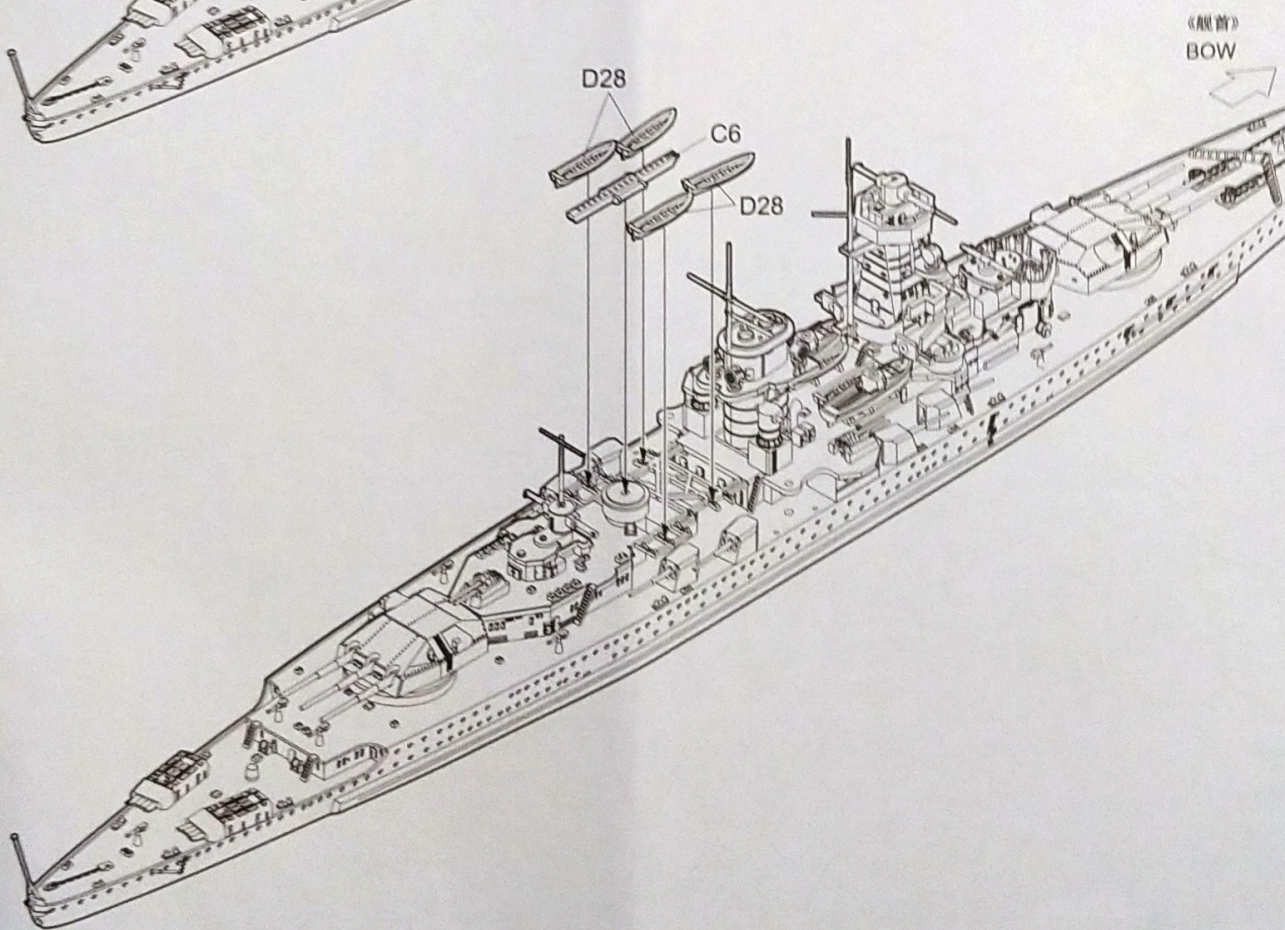
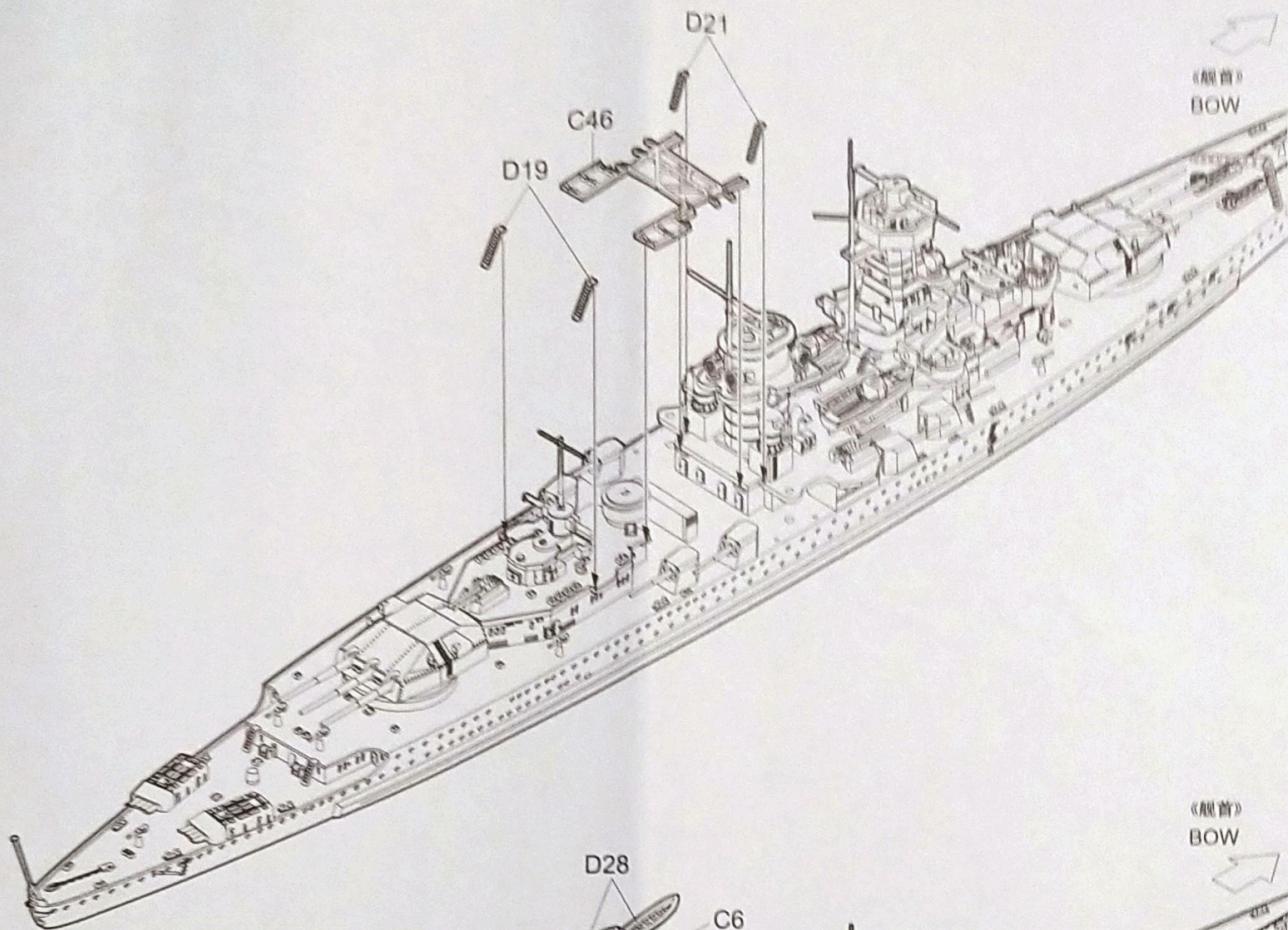
8



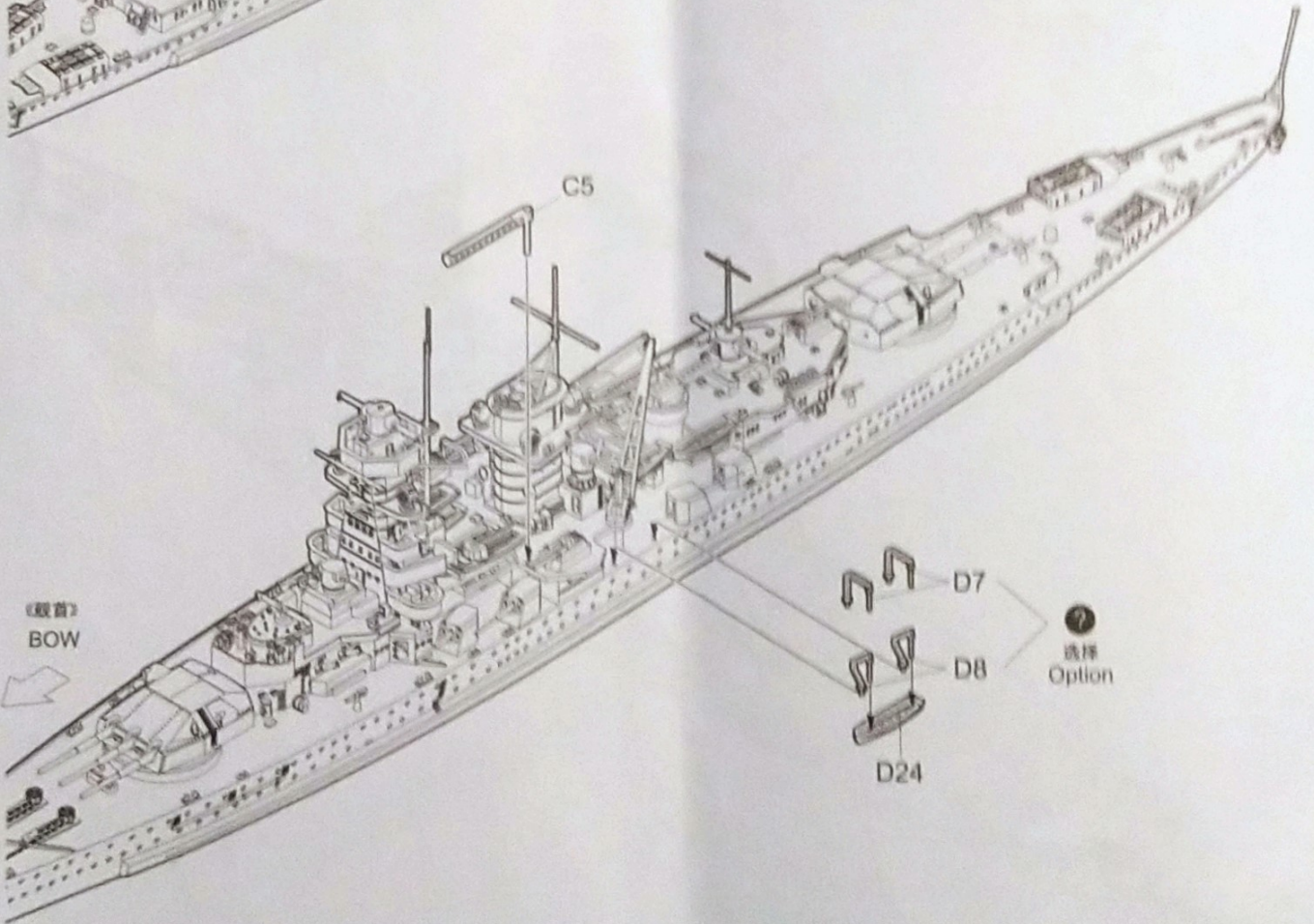
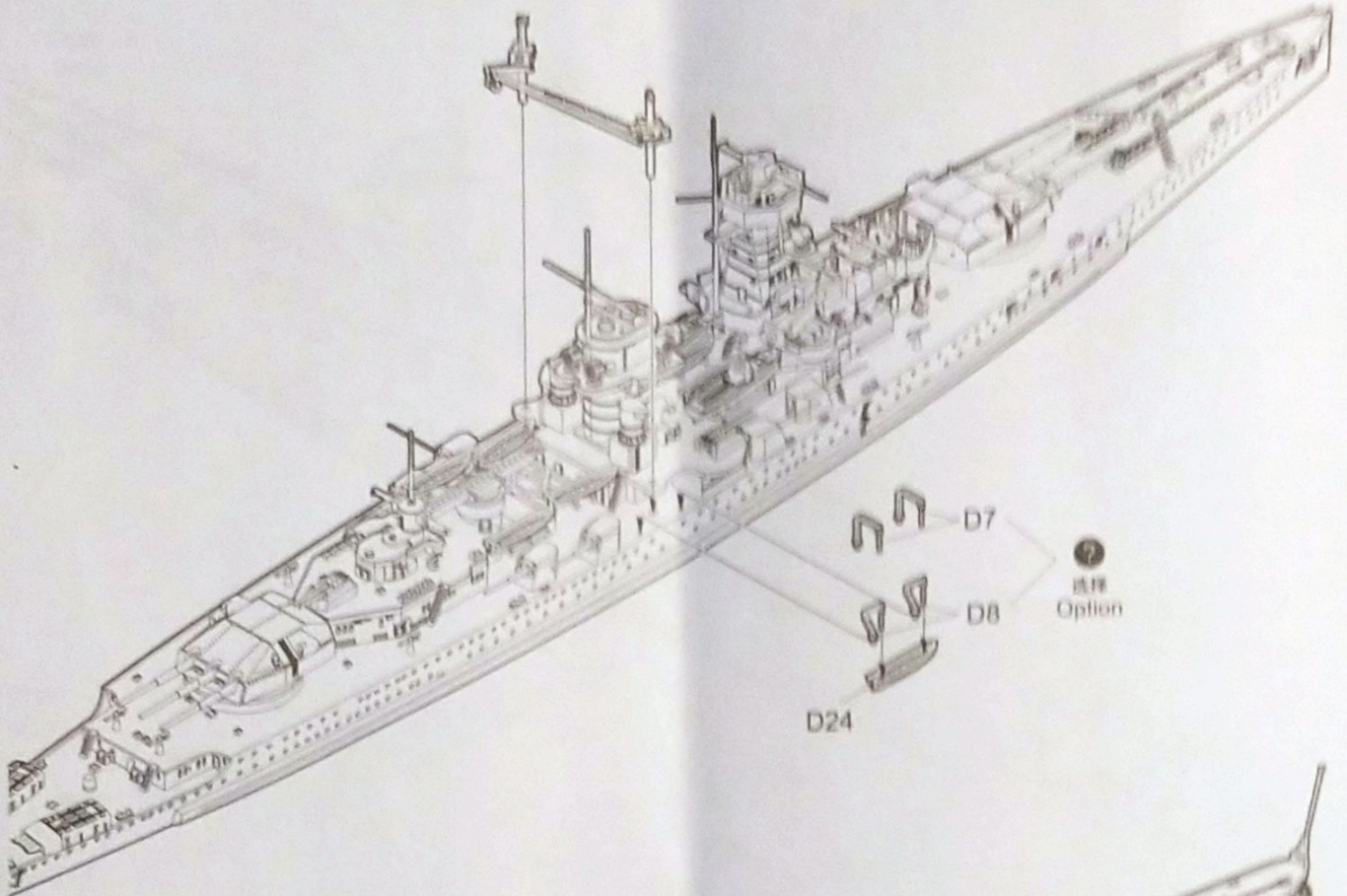
9



10

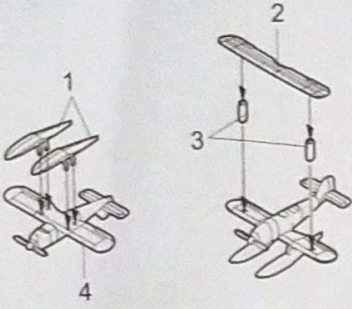


《船首》
BOW

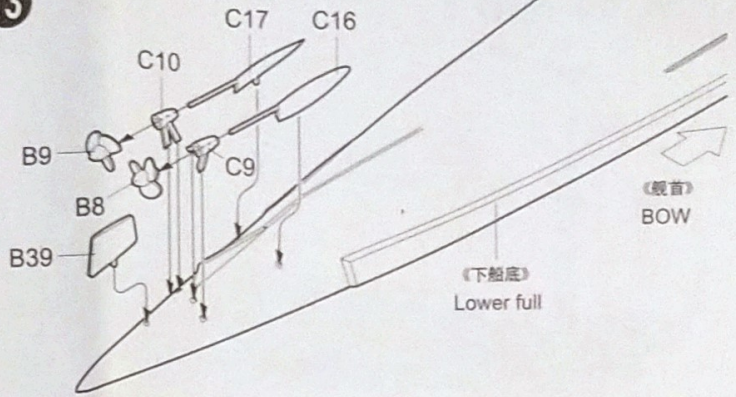


《船首》
BOW

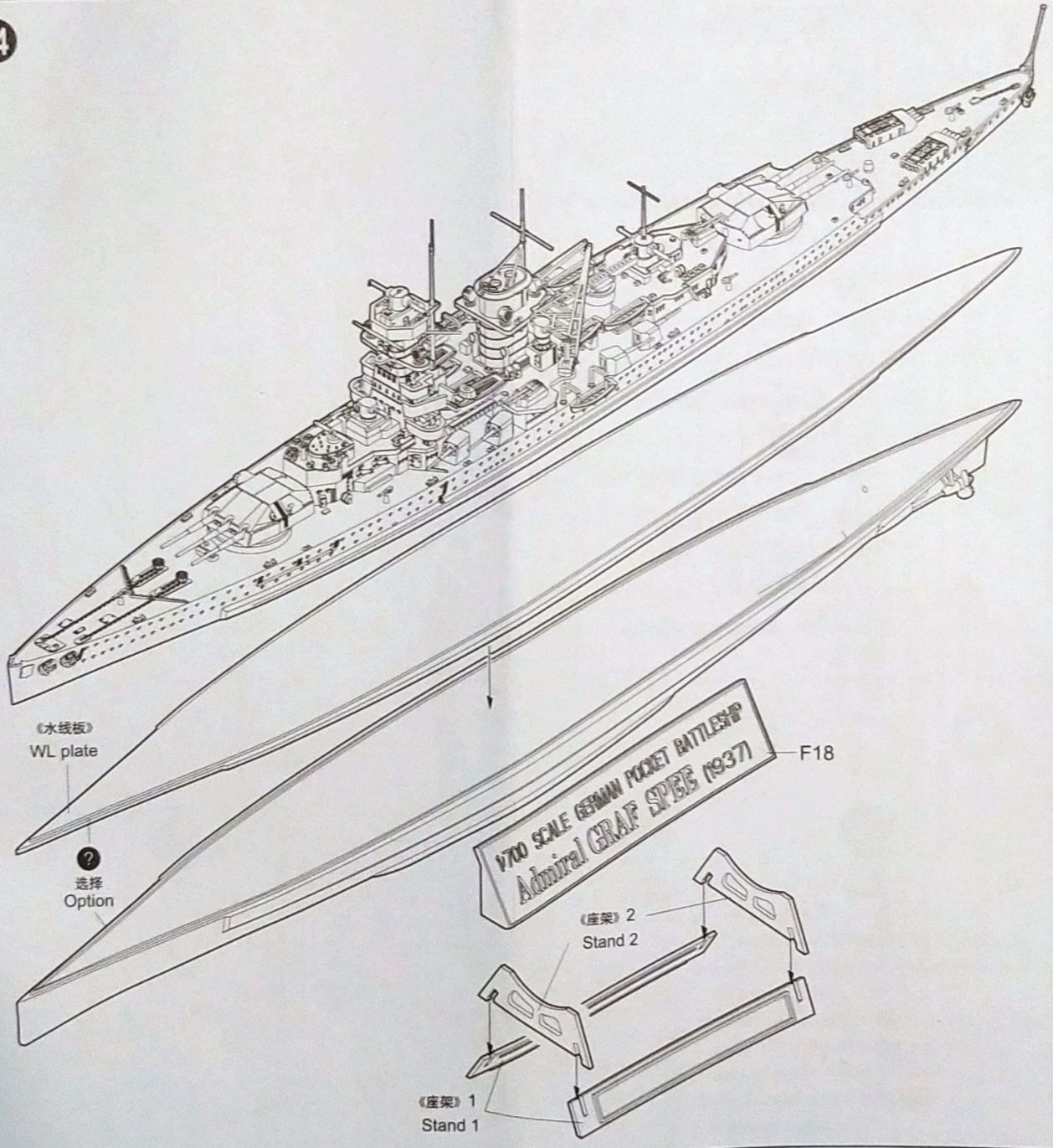
12

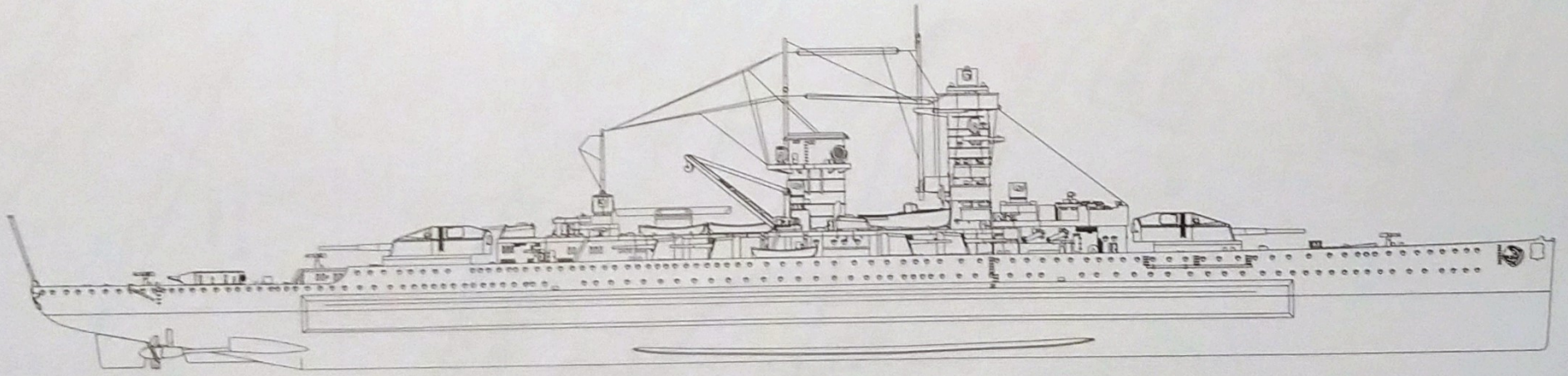
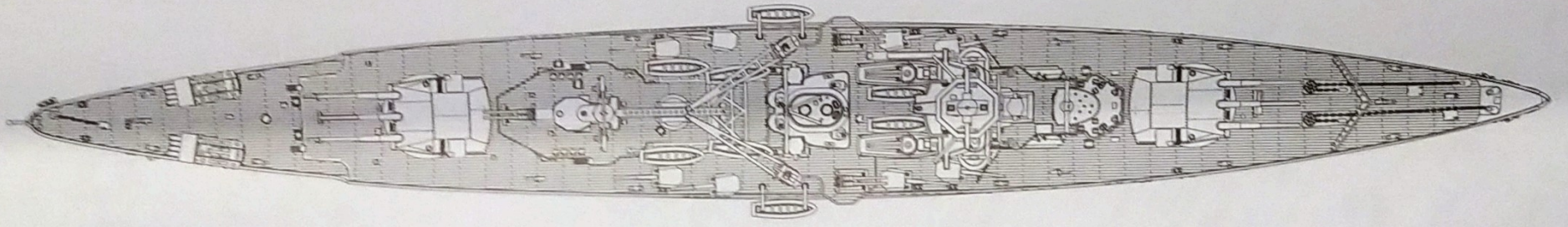
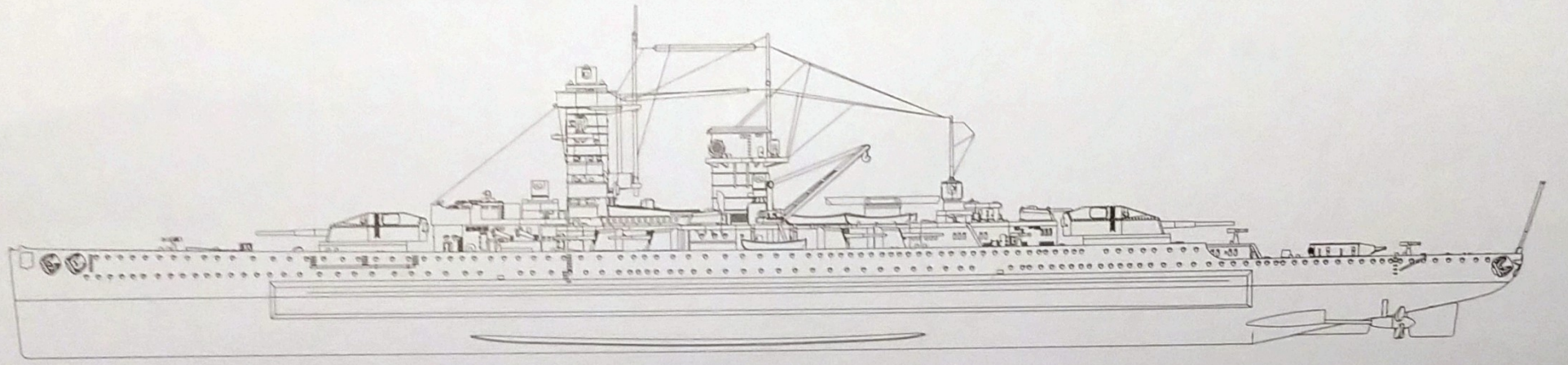


13



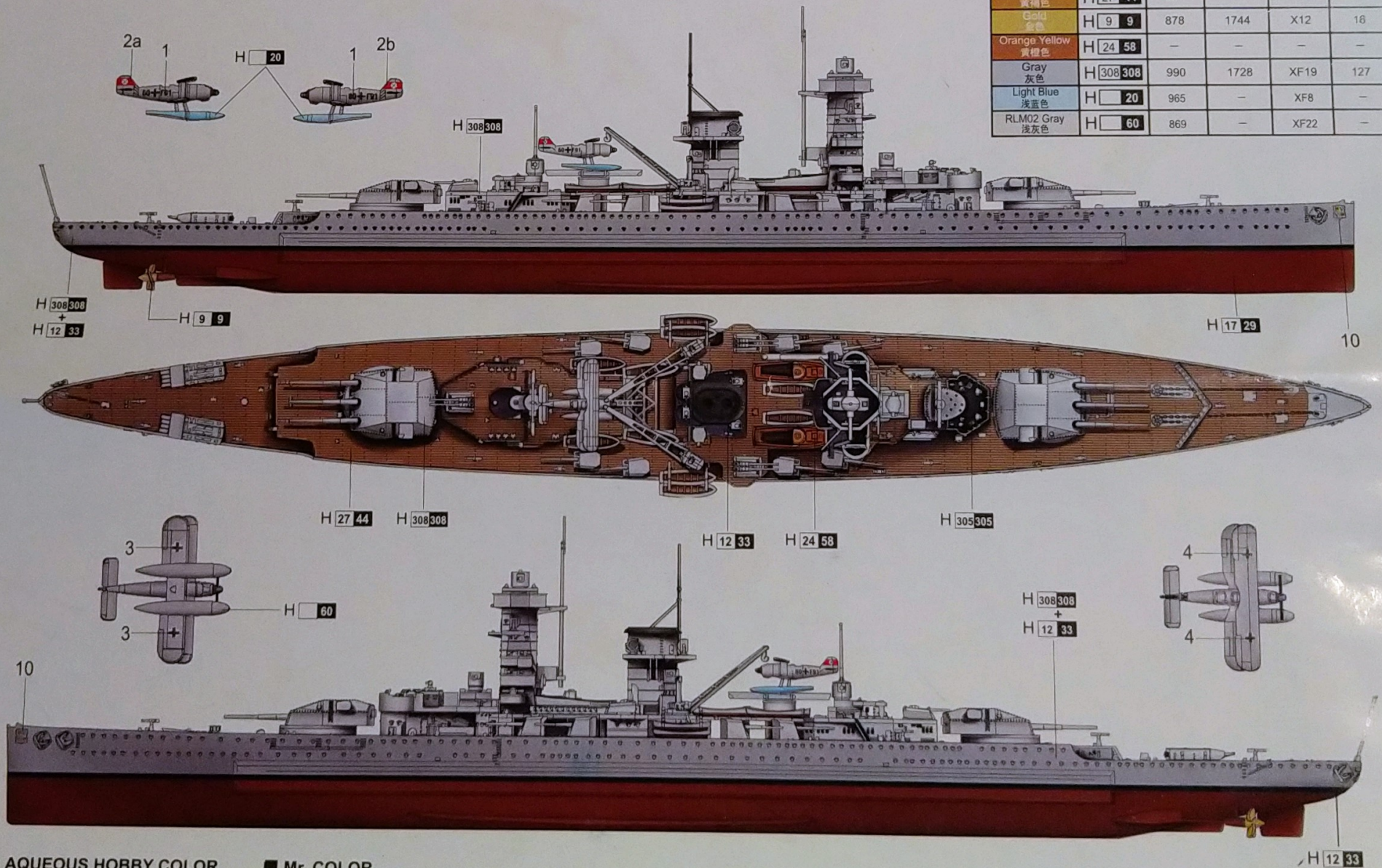
14





涂装同标贴指示
Painting & Marking guide

PAINT REFERENCE COLOUR					
Color	Mr.Hobby	Vallejo	Model Master	Tamiya	Humbrol
Flat Black/ 消光黑	H 12 33	950	1749	XF1	33
Hull Red 舰底红	H 17 29	985	-	XF9	177
Tan 黄褐色	H 27 44	981	-	-	9
Gold 金色	H 9 9	878	1744	X12	16
Orange Yellow 黄橙色	H 24 58	-	-	-	-
Gray 灰色	H 308 308	990	1728	XF19	127
Light Blue 浅蓝色	H 20 20	965	-	XF8	-
RLM02 Gray 浅灰色	H 60 60	869	-	XF22	-



H AQUEOUS HOBBY COLOR ■ Mr. COLOR

73 1/700 German Pocket Battleship(Panzer Schiff) Admiral Graf Spee 1937