

KIROV AIRSHIP

Border

*READY TO ASSEMBLE PRECISION MODEL KIT *MODELING SKILLS HELPFUL IF UNDER 14 YEARS OF AGE *MODEL MAY VARY FROM IMAGE ON BOX *CEMENT AND PAINT NOT INCLUDED
Дирижабль Киров 基洛夫飞艇 キーロフ飛行船



PAINTS FREE



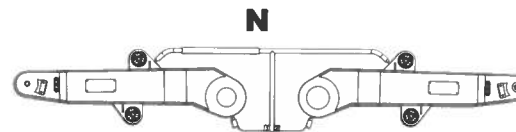
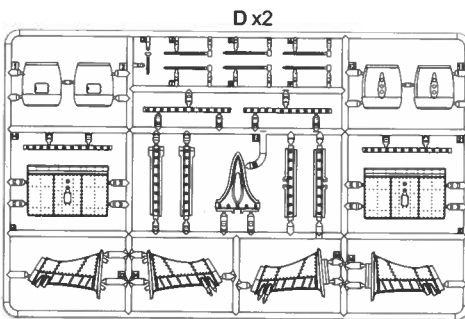
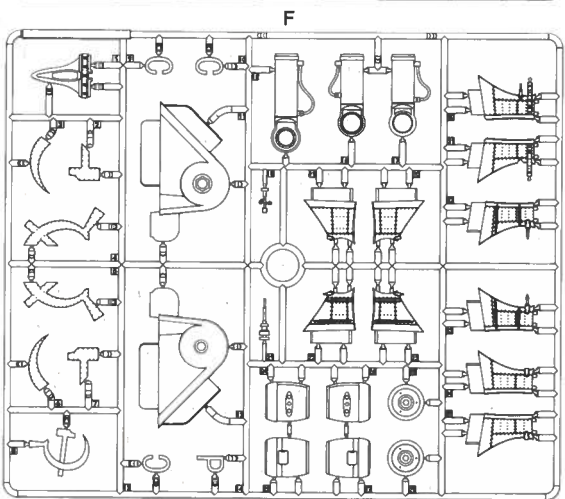
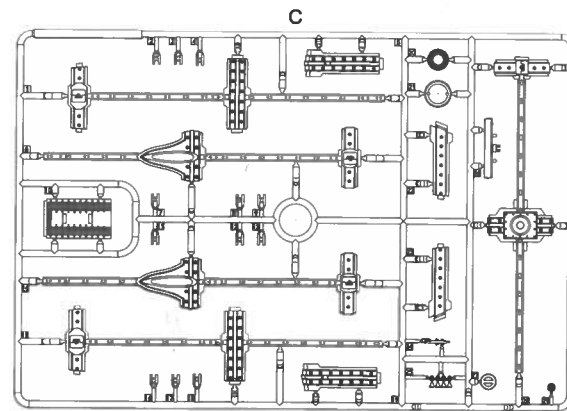
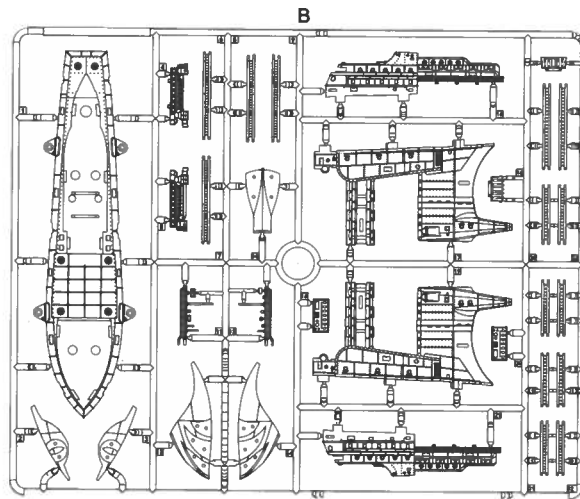
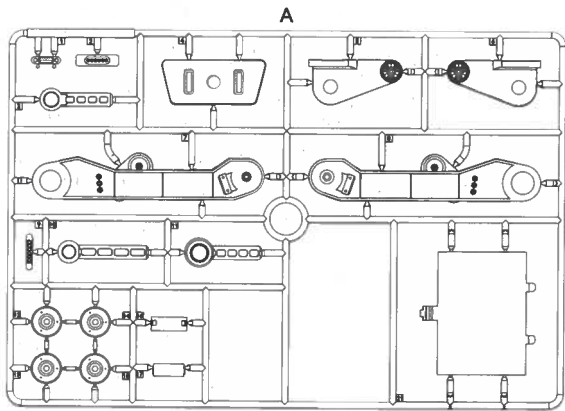
CEMENT FREE



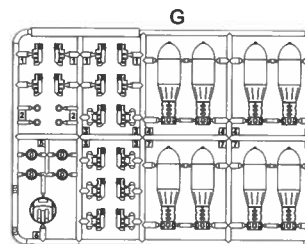
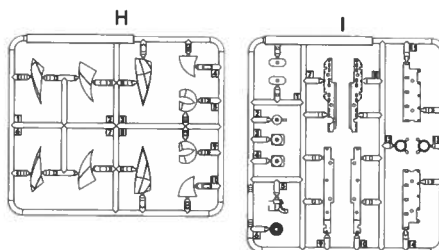
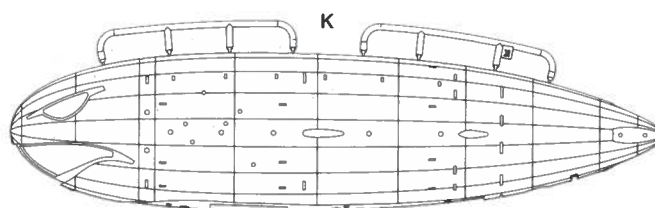
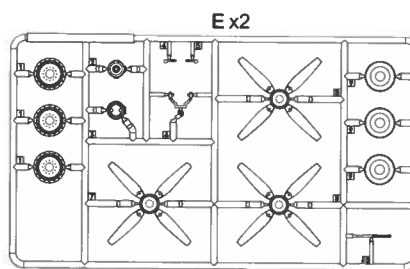
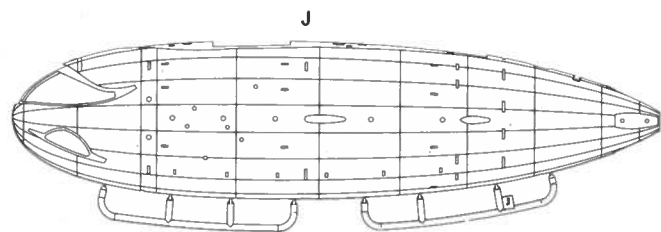
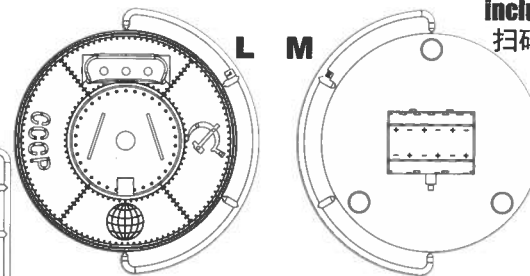
JASON 2024

1/N
SCALE
BC-004

- ◆ PAINTS FREE & CEMENT FREE DESIGN.
- ◆ INCLUDES LIGHTING SYSTEM.
- ◆ INCLUDES BASE FOR CONTROL SWITCH.
- ◆ INCLUDES FULL SET OF ELECTRIC PROPELLER COMPONENTS.



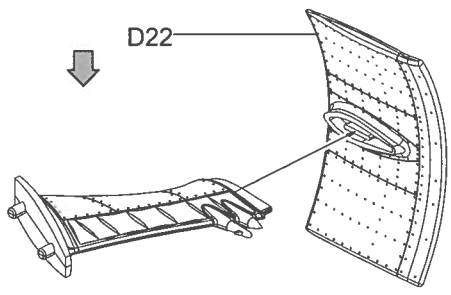
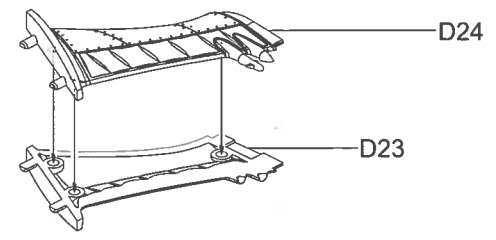
Scan the code to watch the assembly process including the assembly of the circuit part
扫码观看组装过程，包含电路部分的组装



- 电机*5
- 开关*3
- 灯光控制电路板*1
- 电池片*2
- M4内六角螺丝螺母*3
- Motor * 5
- Switch * 3
- Lighting control circuitboard * 1
- Battery contact sheet * 2
- M4 hex screw nut * 3

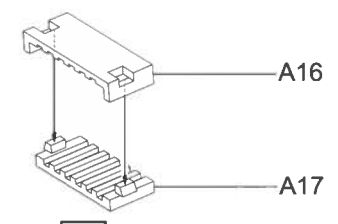
Some Kirov airships sold in European countries will not have these electronic components.
The retail price will also decrease accordingly

1

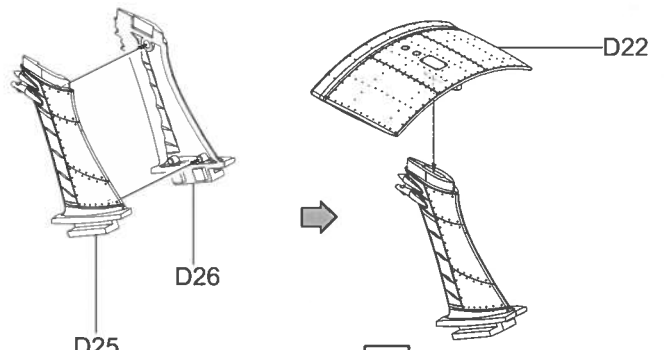


A1

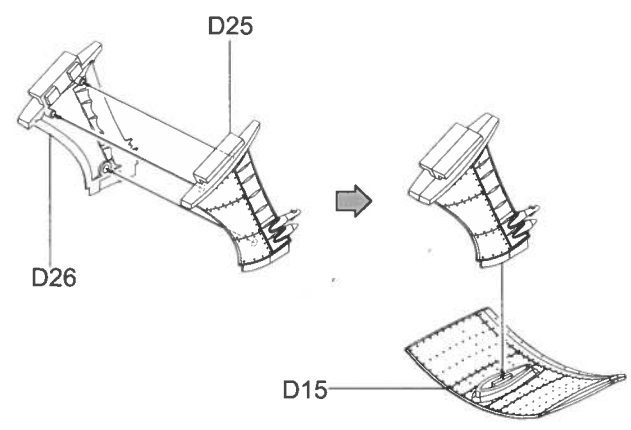
2



B1

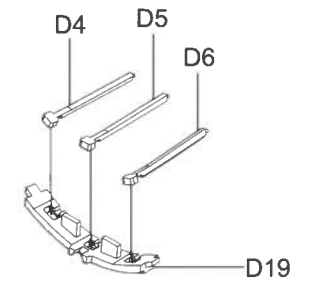


B2

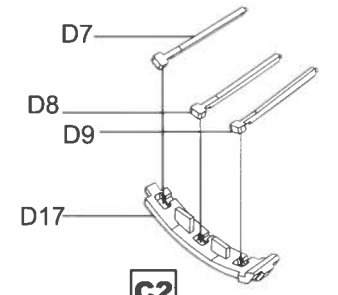


B3

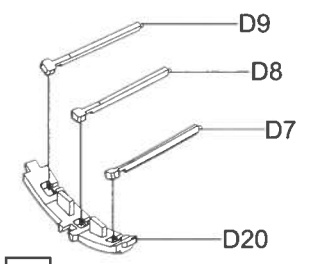
3



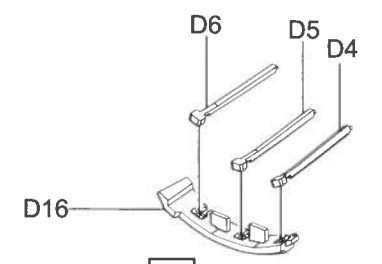
C1



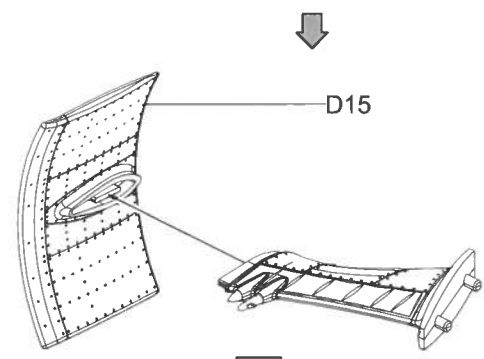
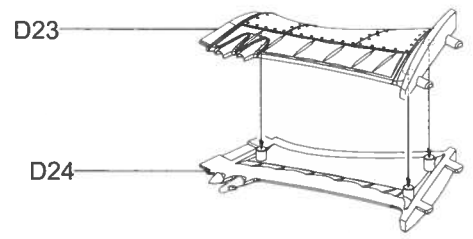
C2



C3



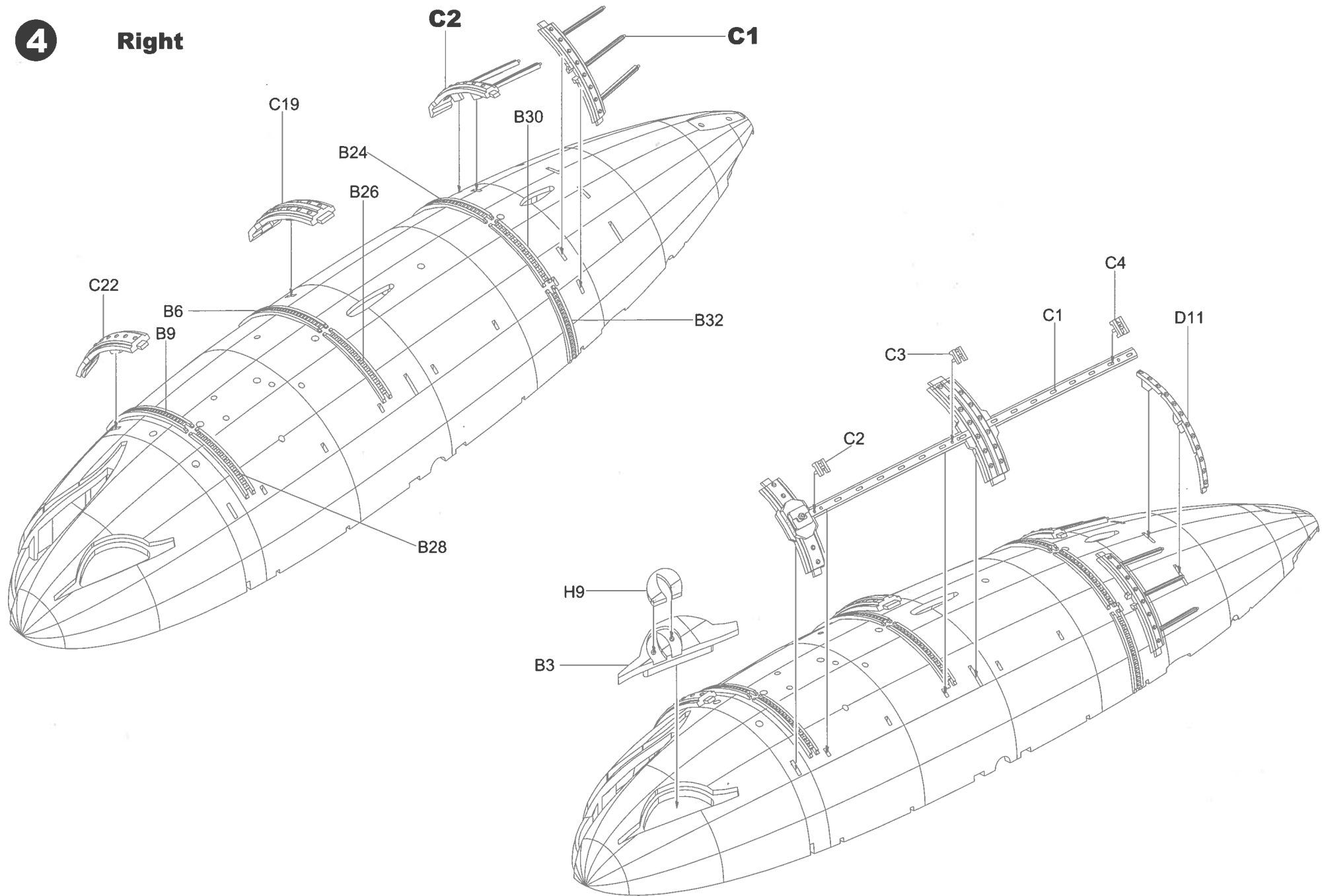
C4



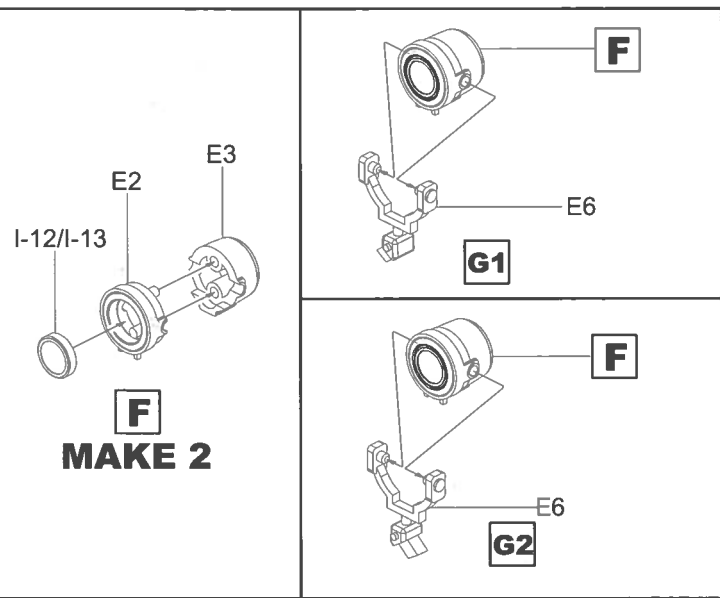
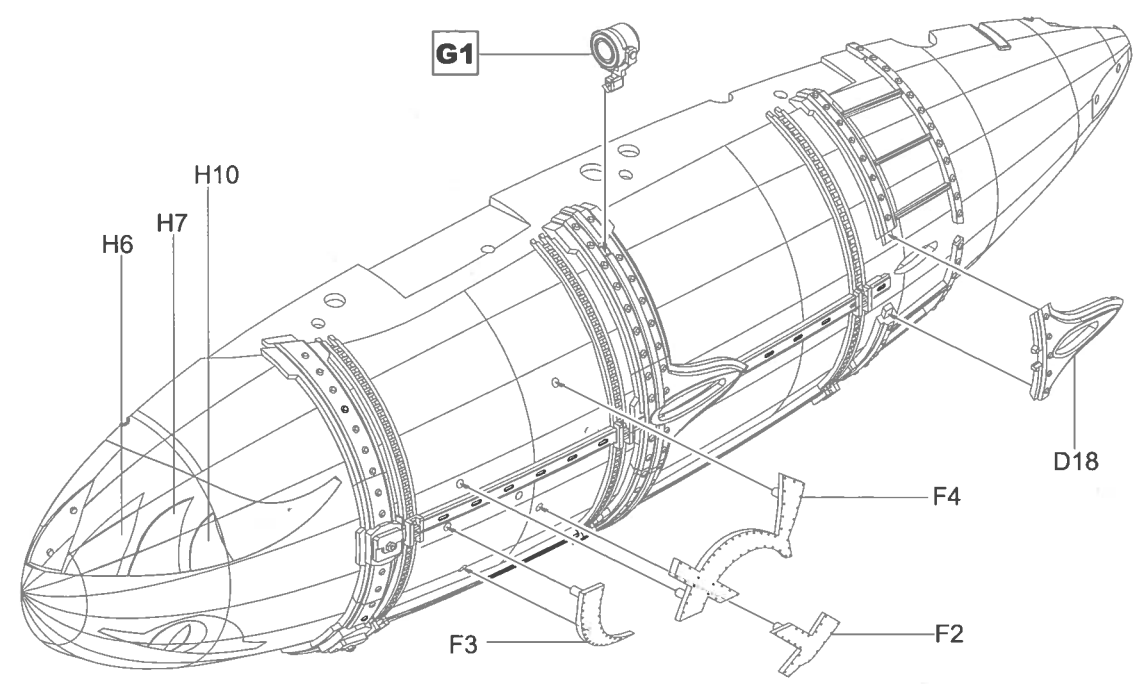
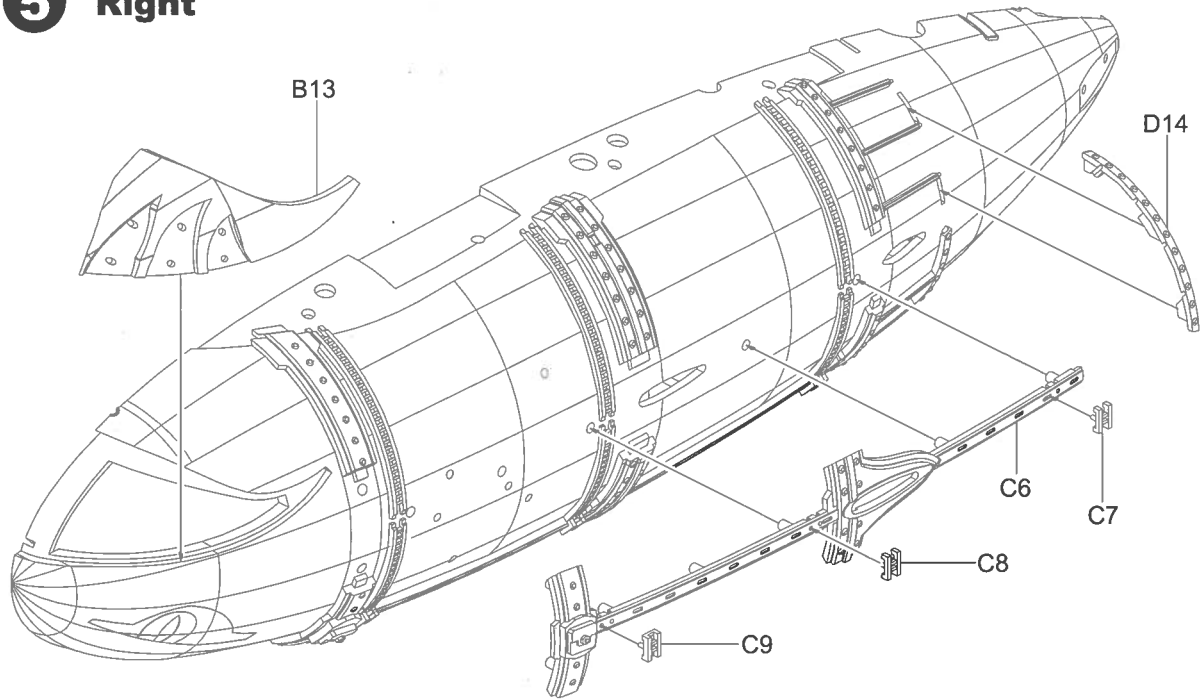
A2

4

Right

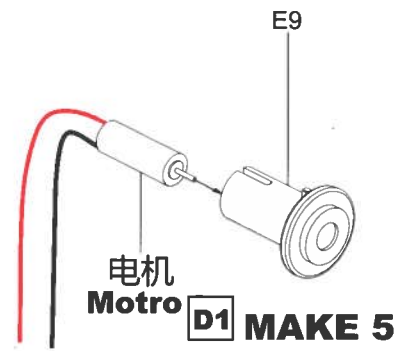


5 Right

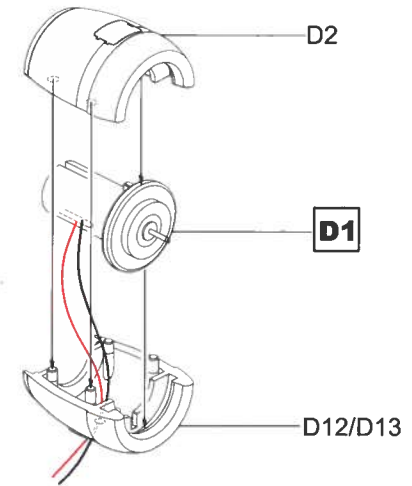
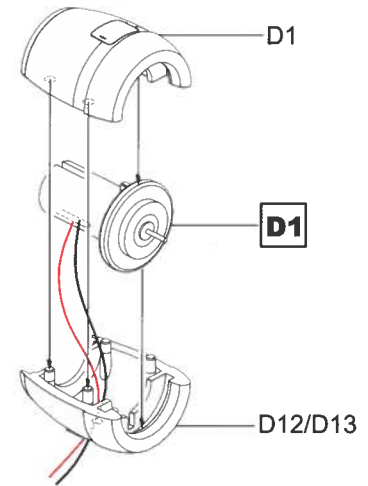


F
MAKE 2

6

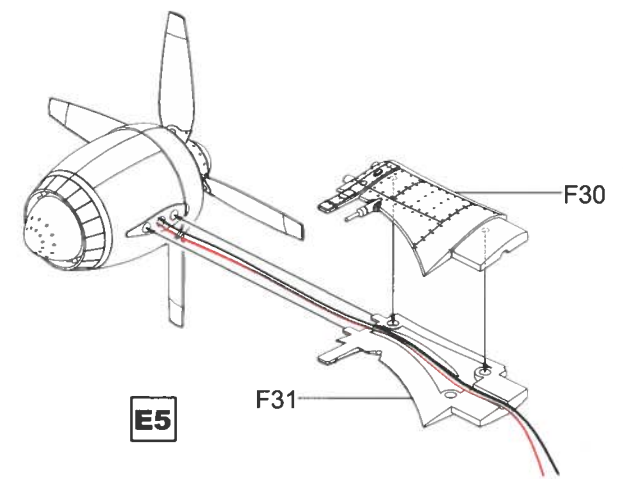
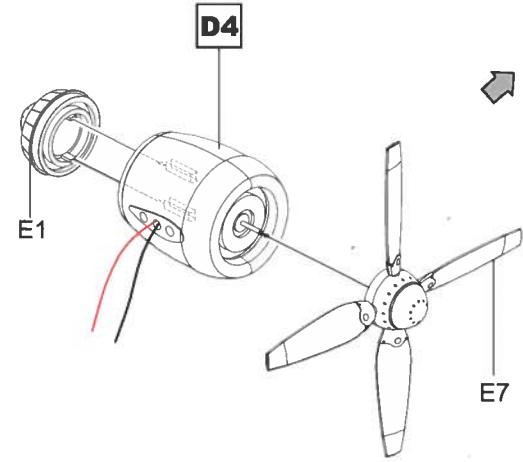
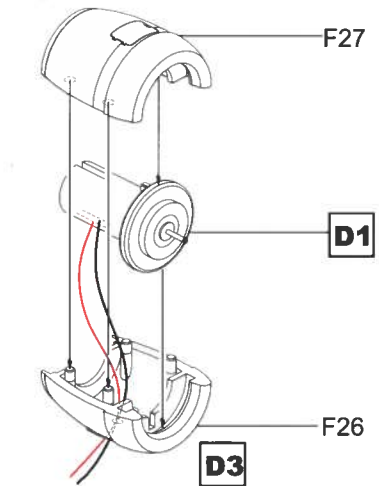
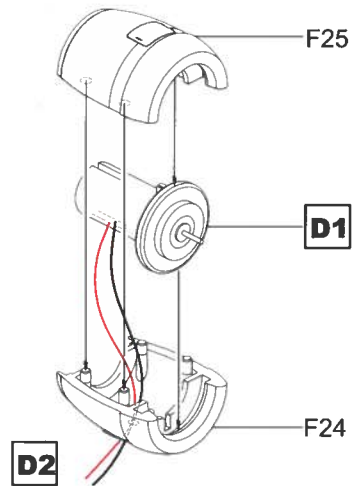


7

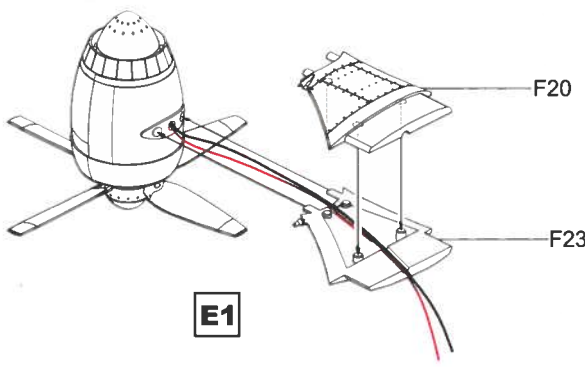
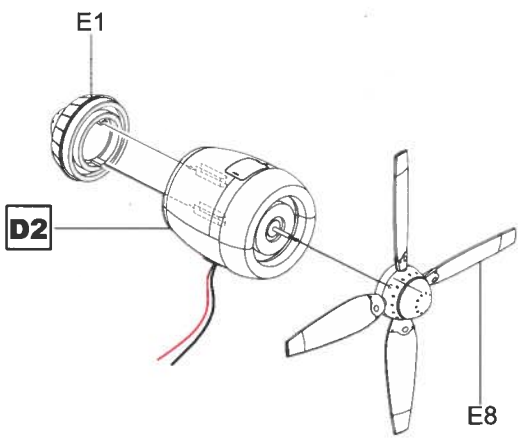


D4 MAKE 2

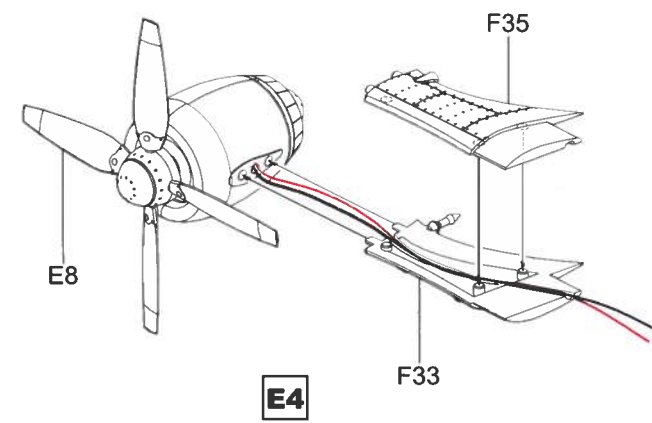
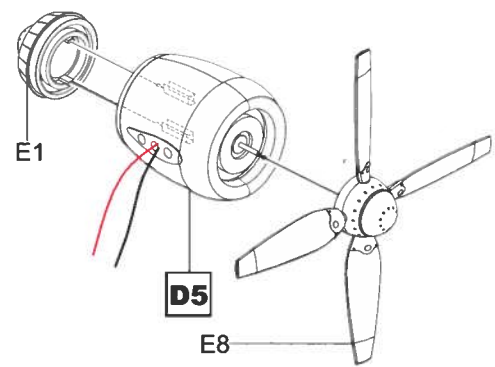
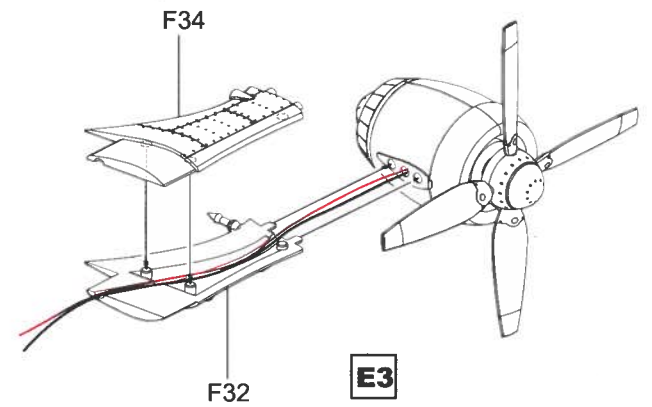
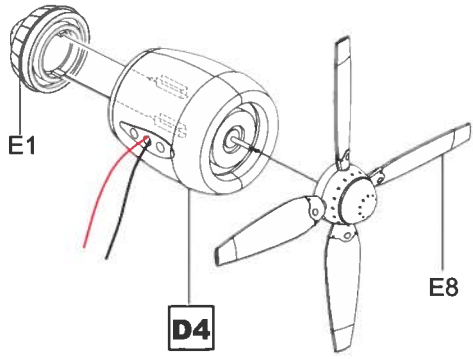
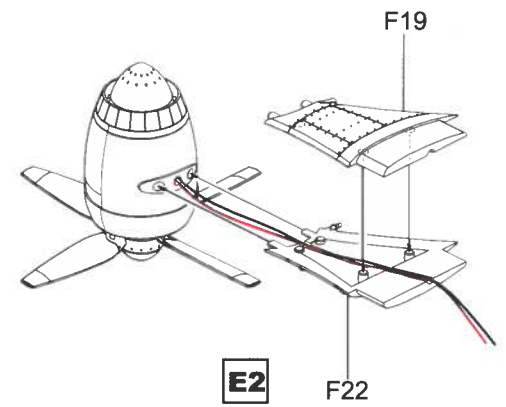
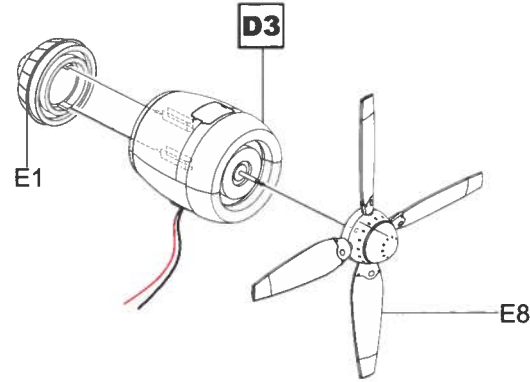
D5



8

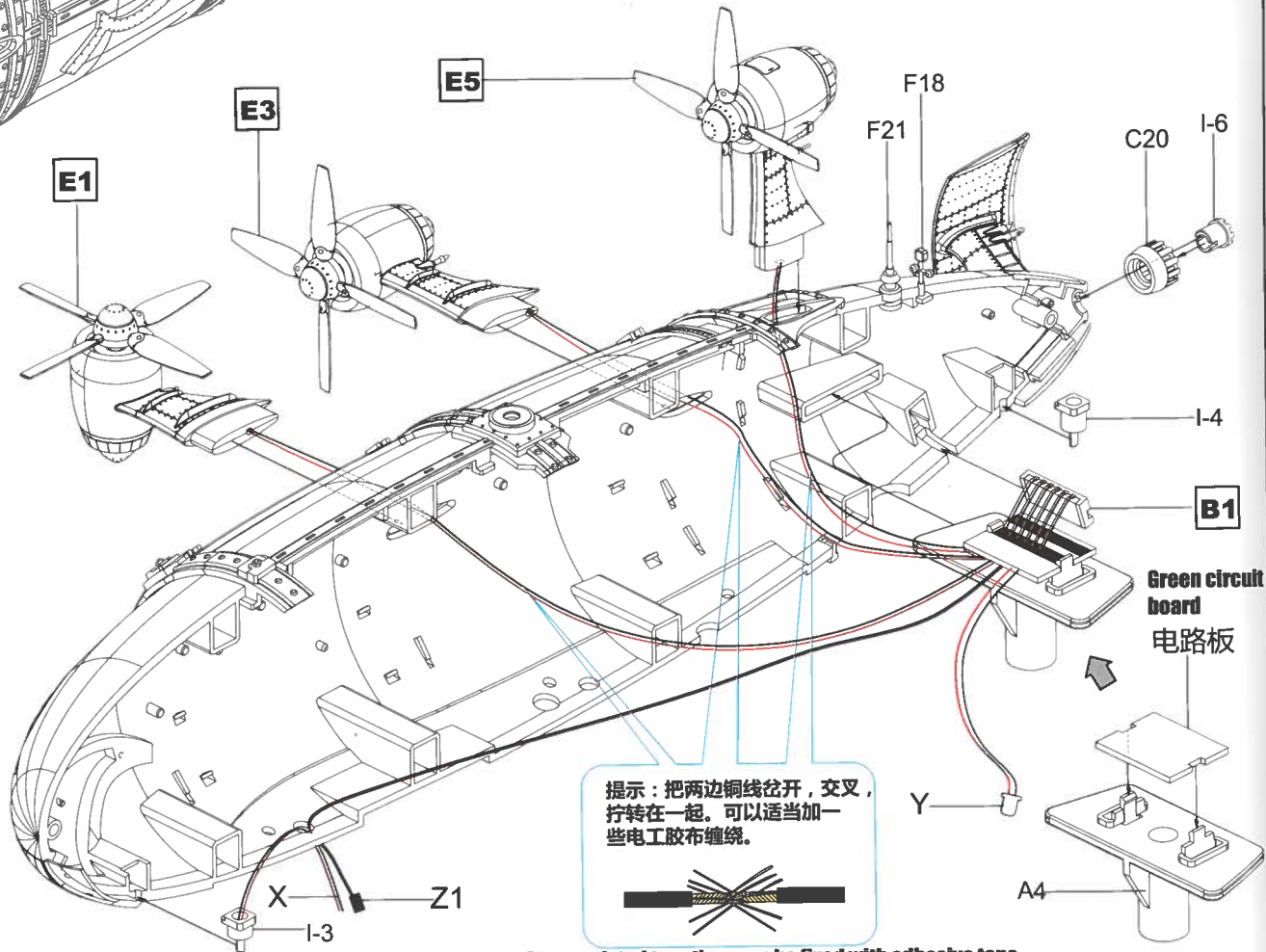
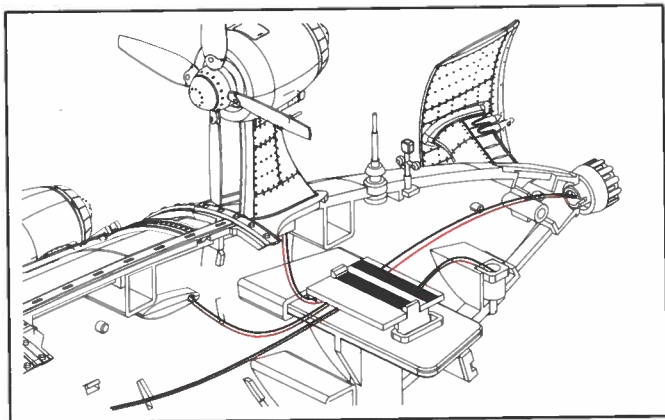
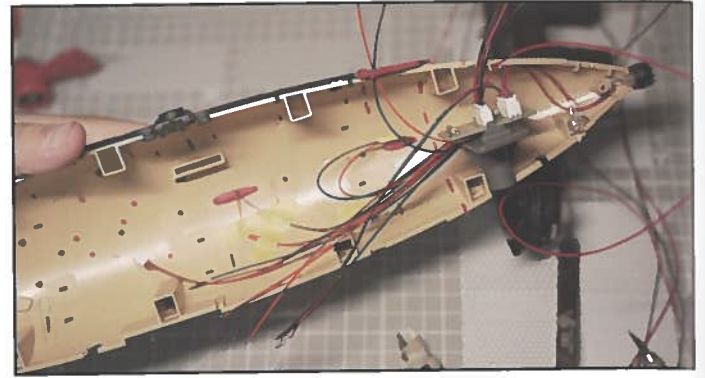
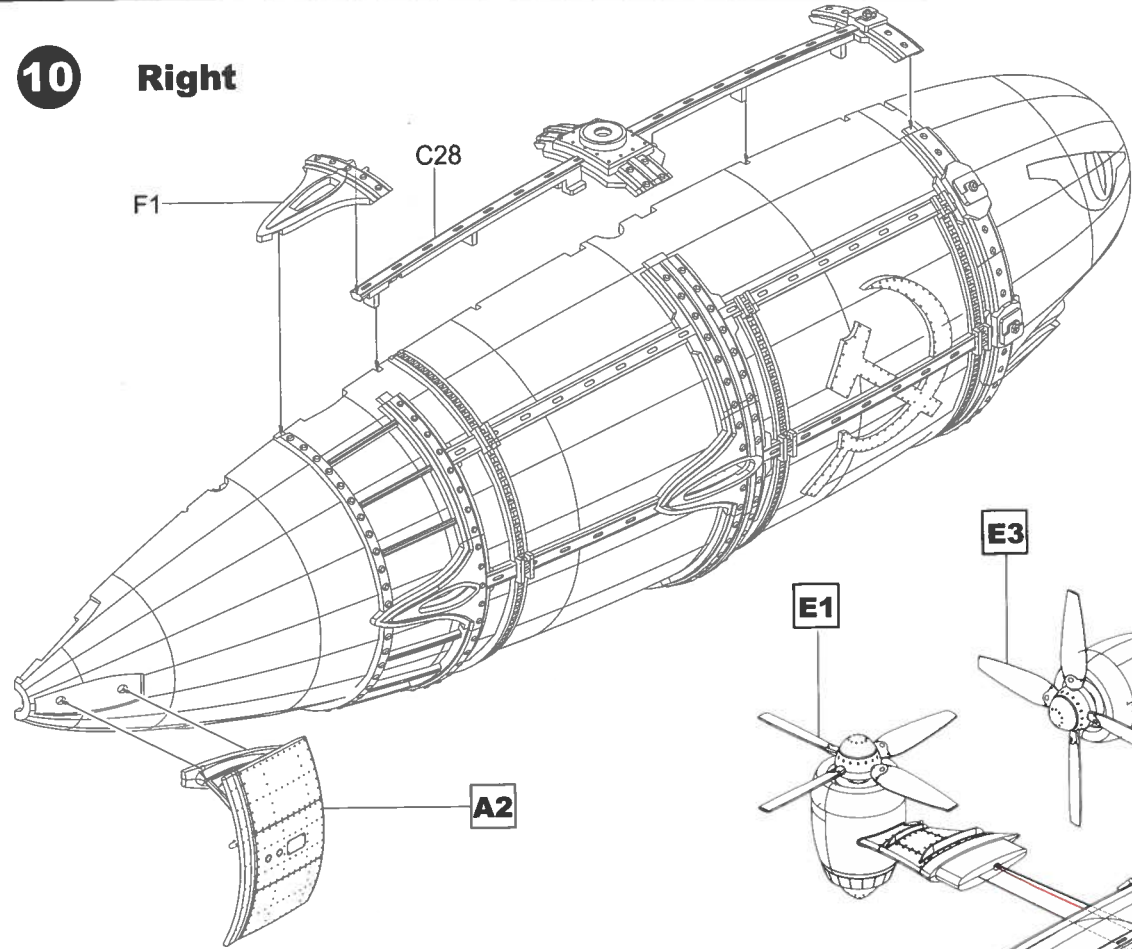


9



10

Right



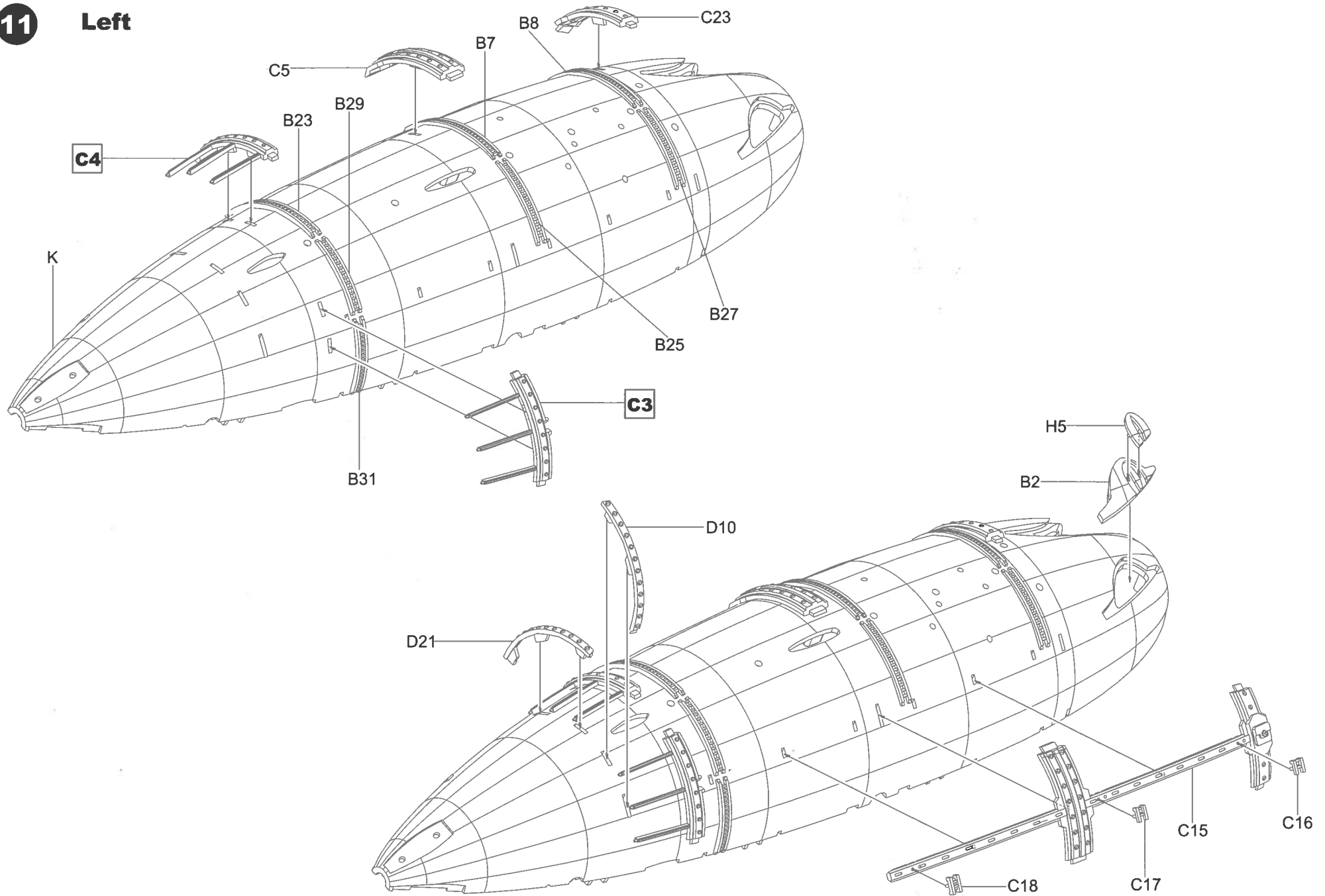
提示：把两边铜线岔开，交叉，拧转在一起。可以适当加一些电工胶布缠绕。



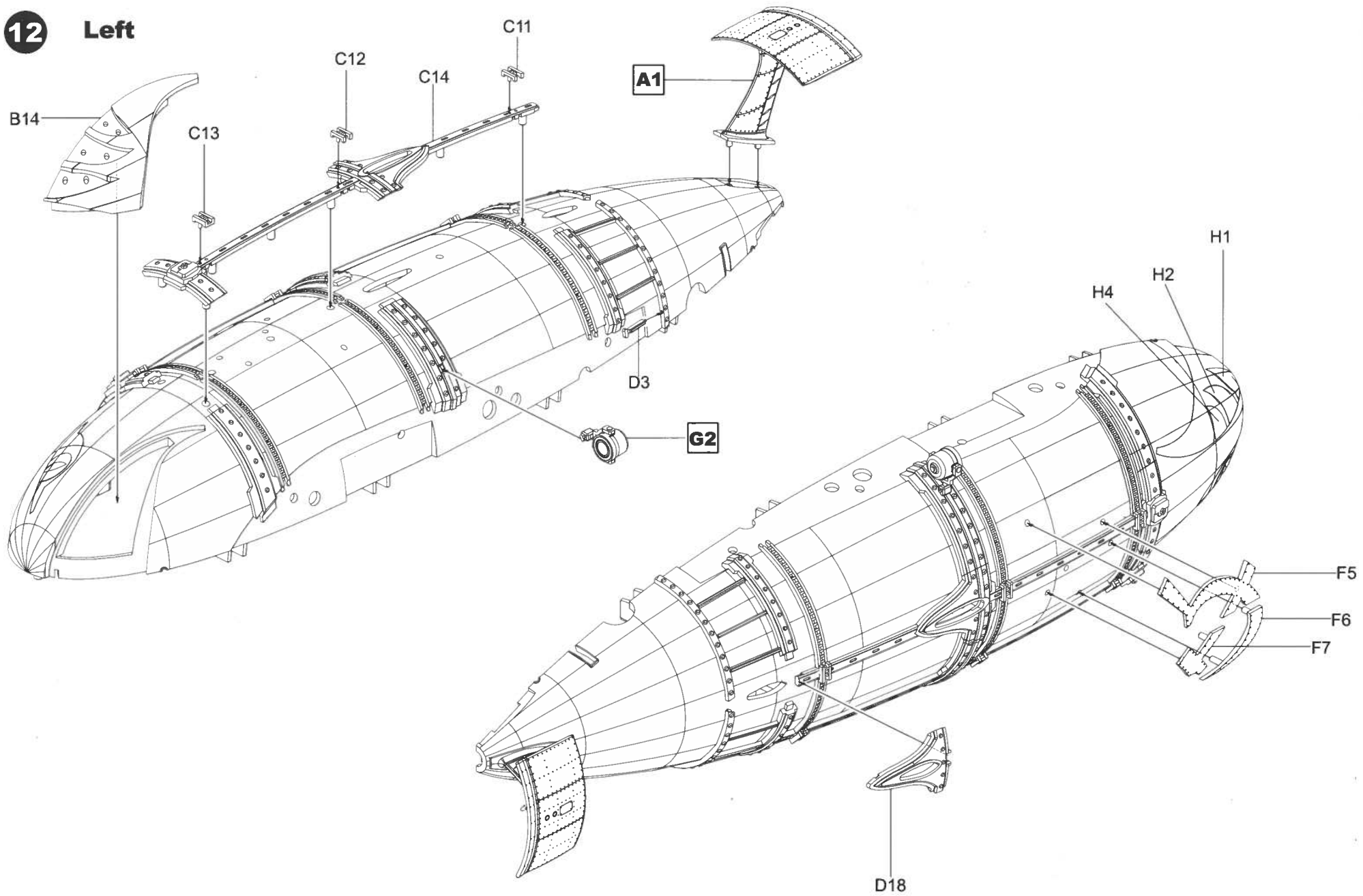
Cross twisted together, can be fixed with adhesive tape

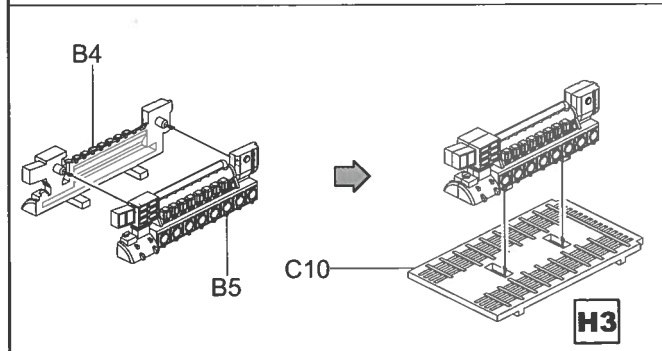
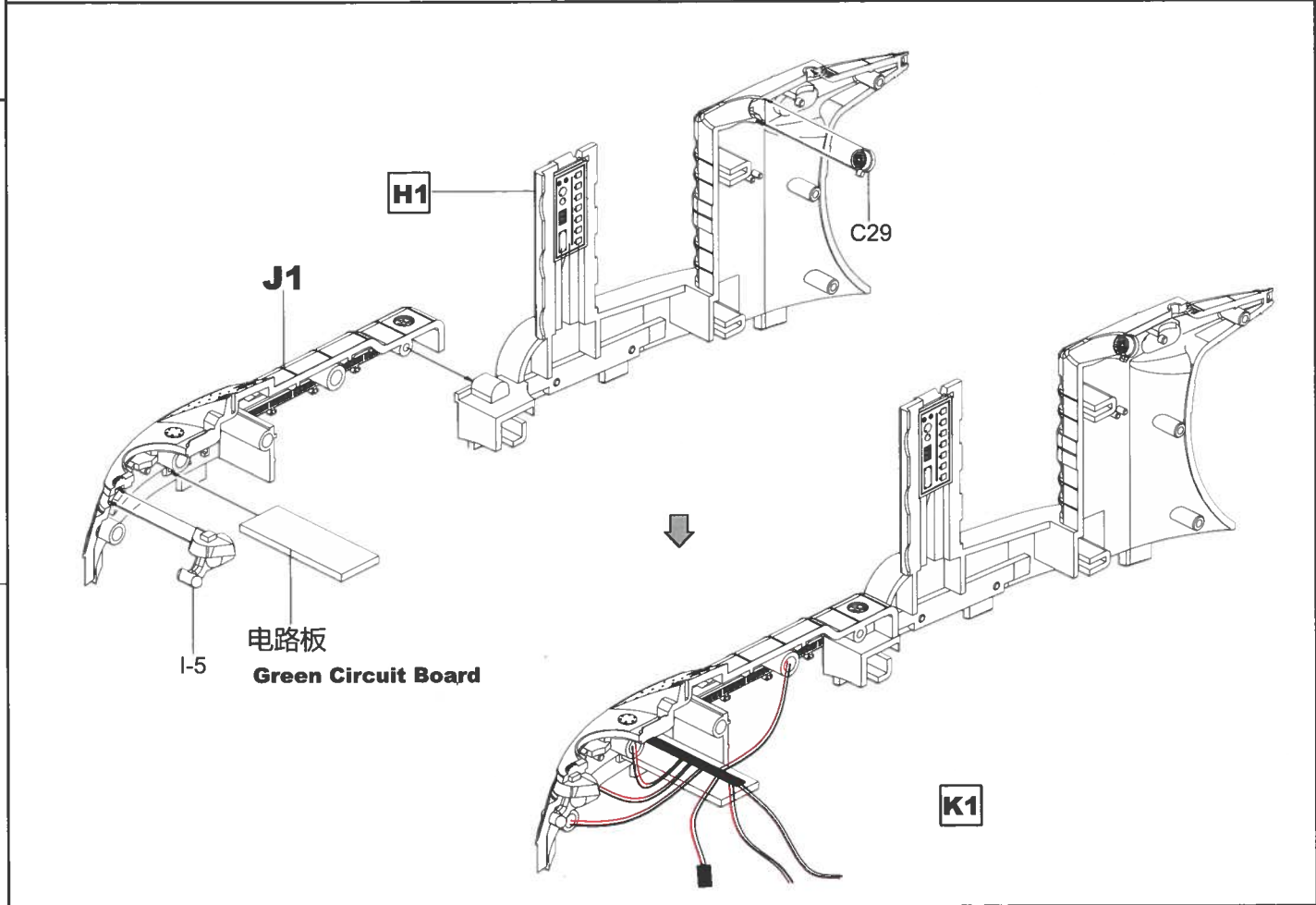
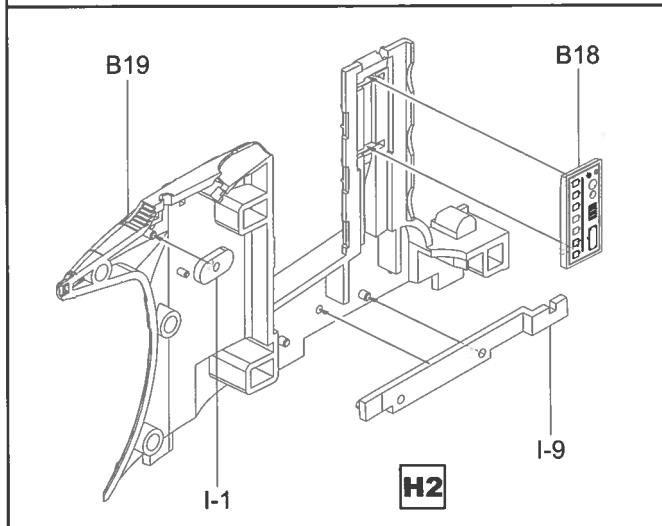
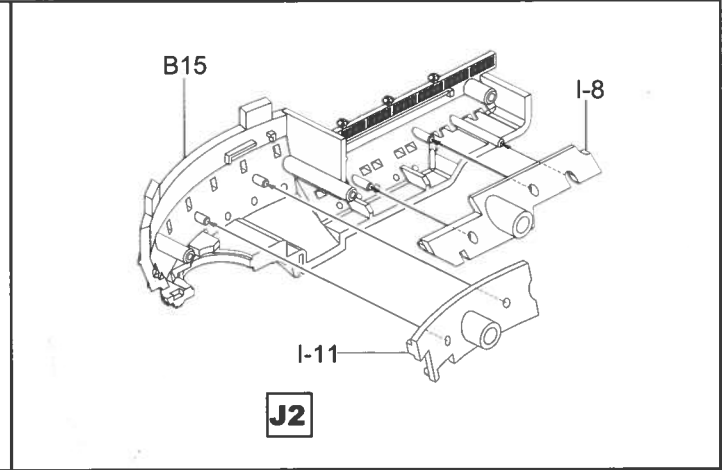
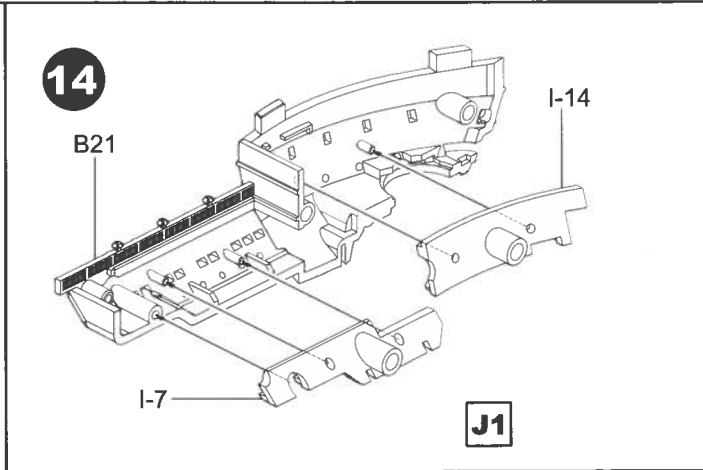
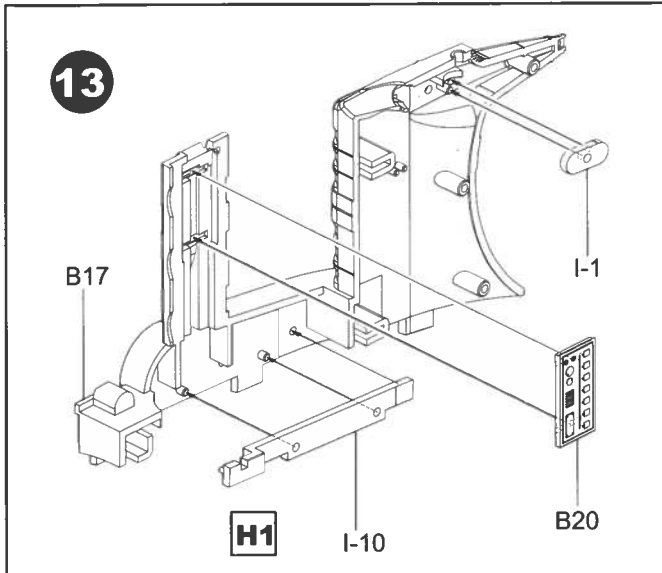
11

Left

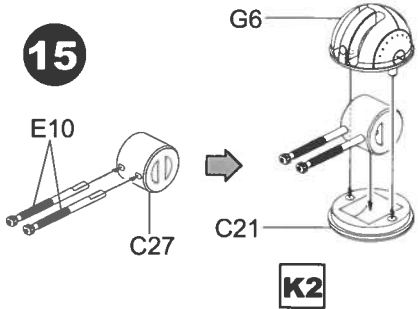


12 Left

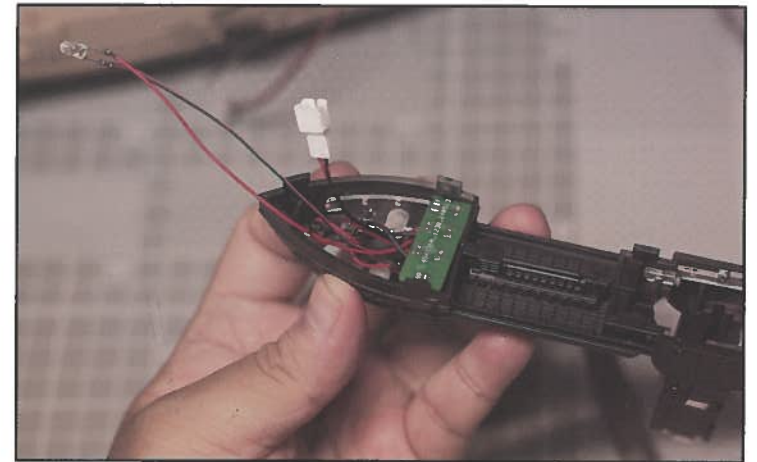




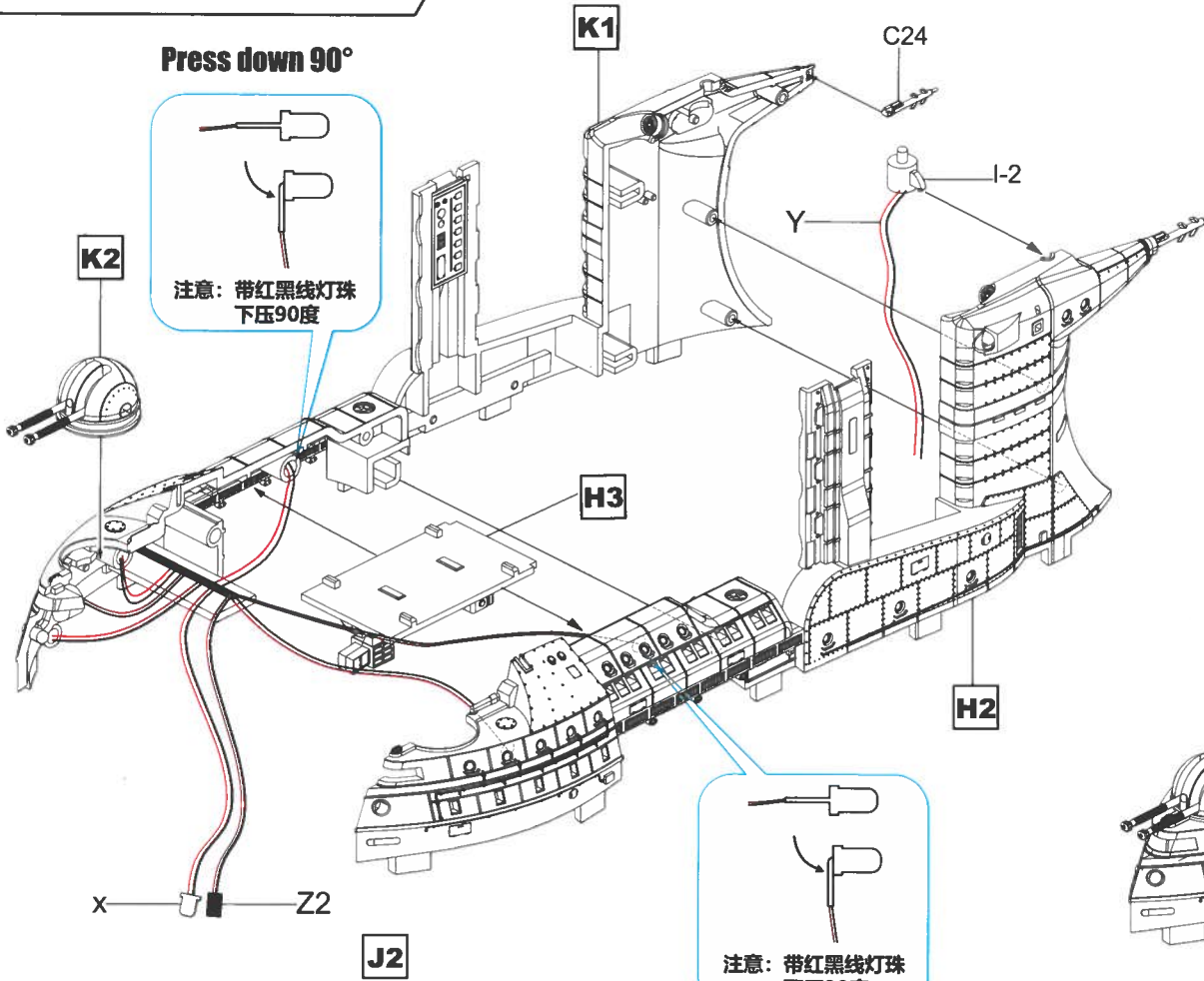
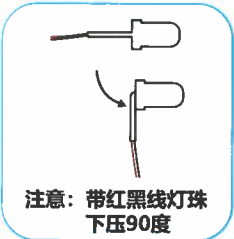
15



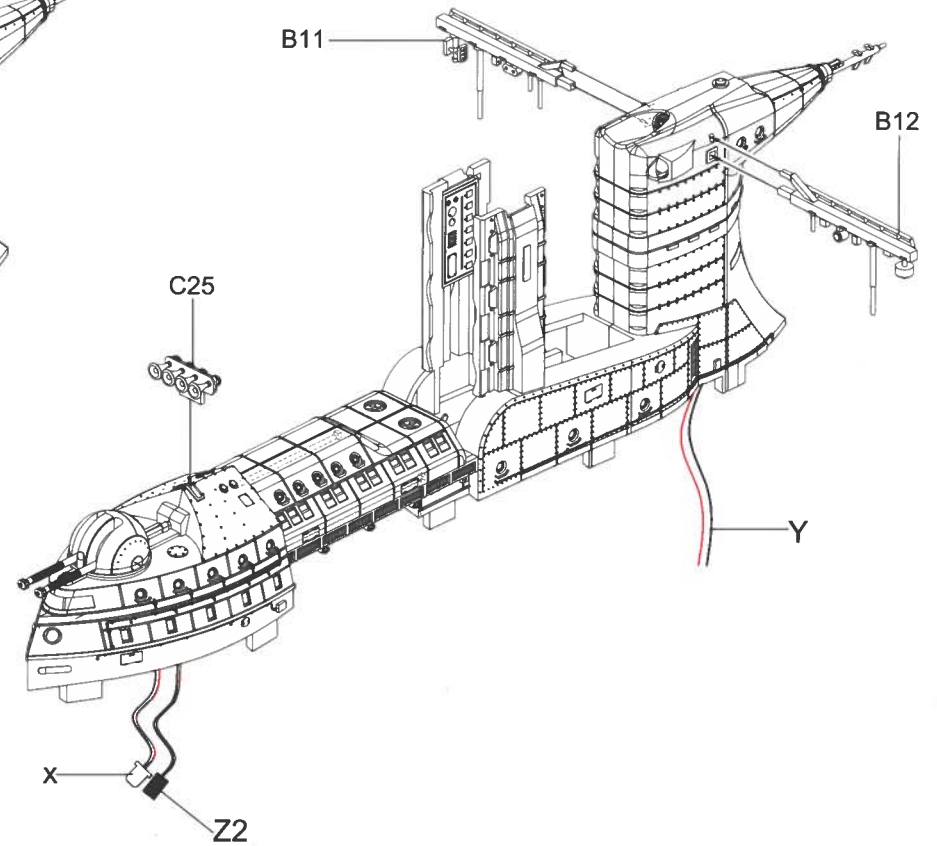
Don't touch each other



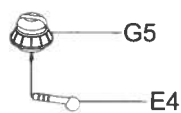
Press down 90°



Press down 90°

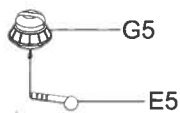


16



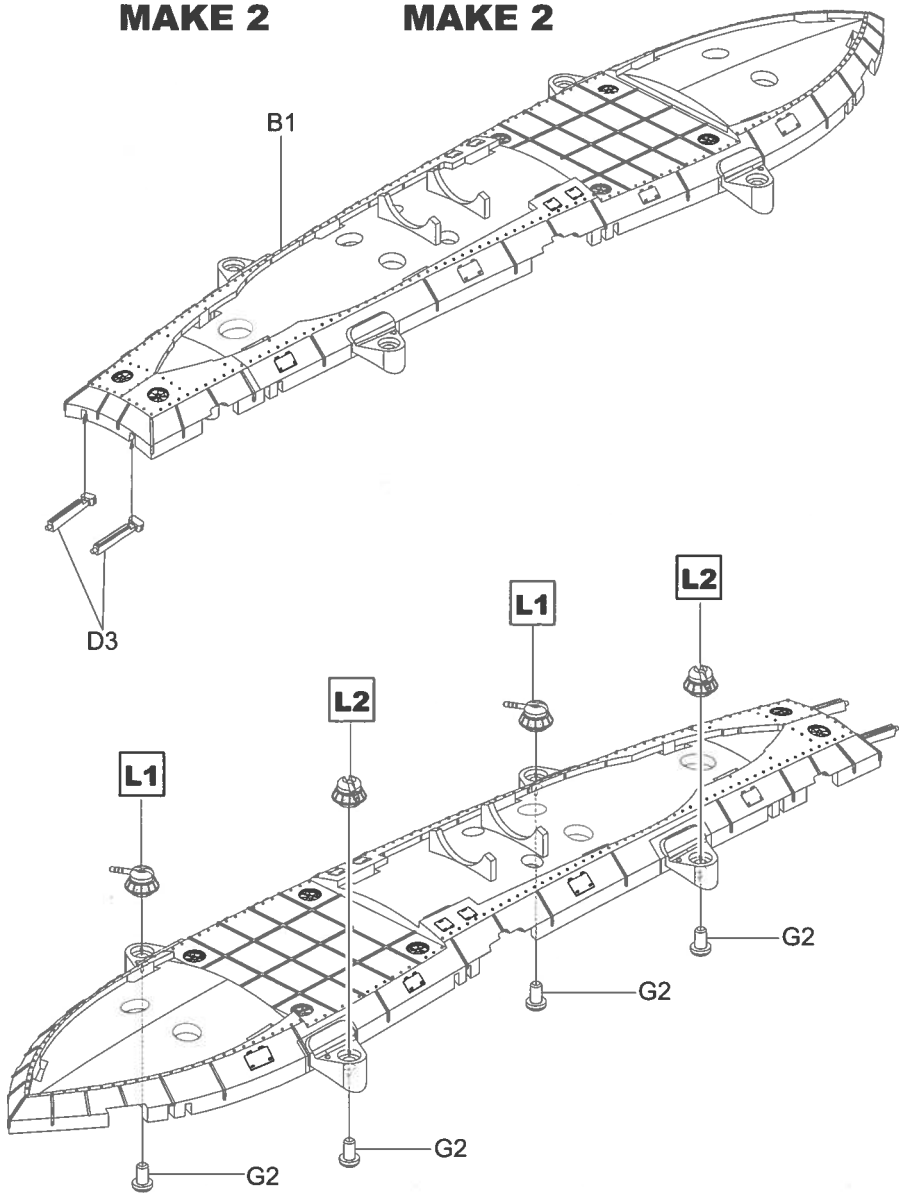
L1

MAKE 2

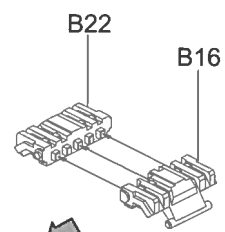


L2

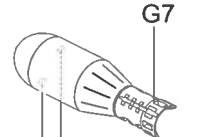
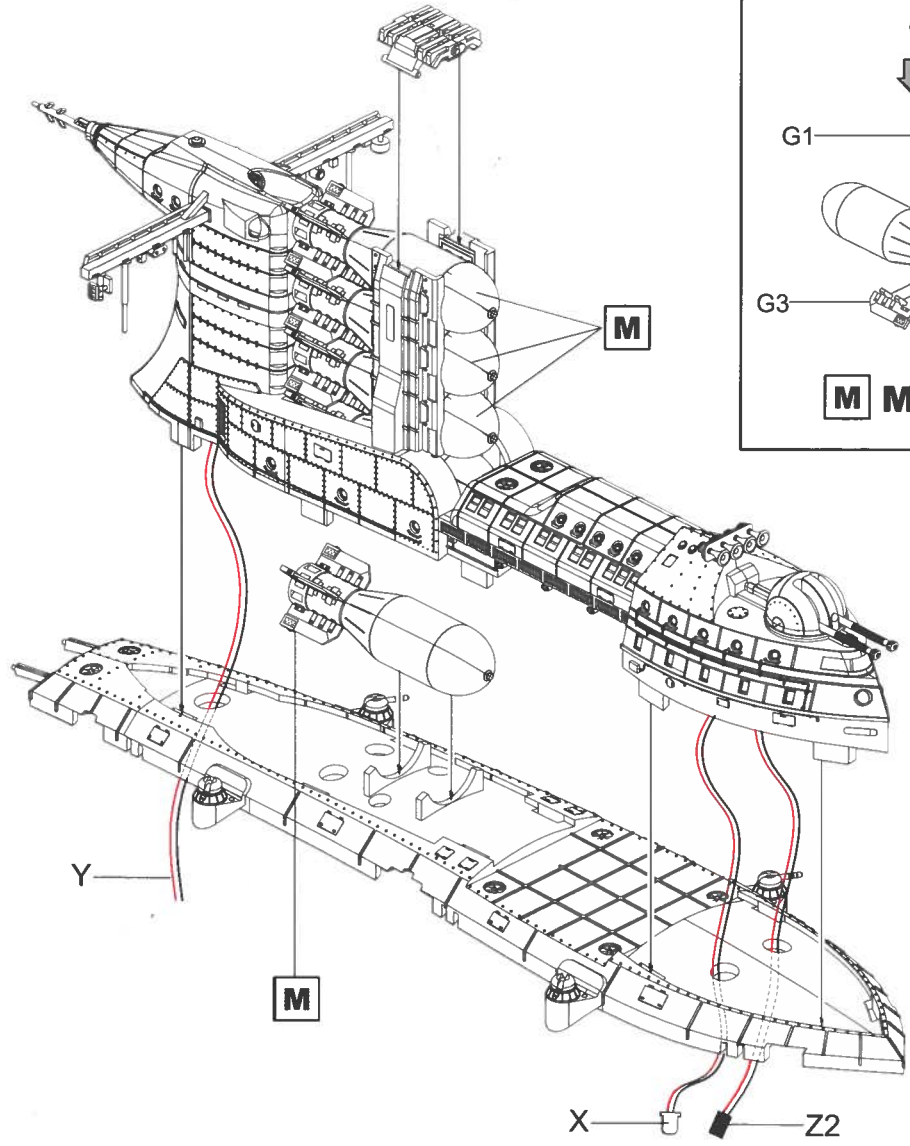
MAKE 2



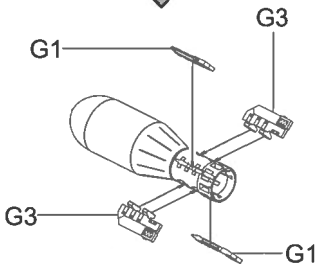
17



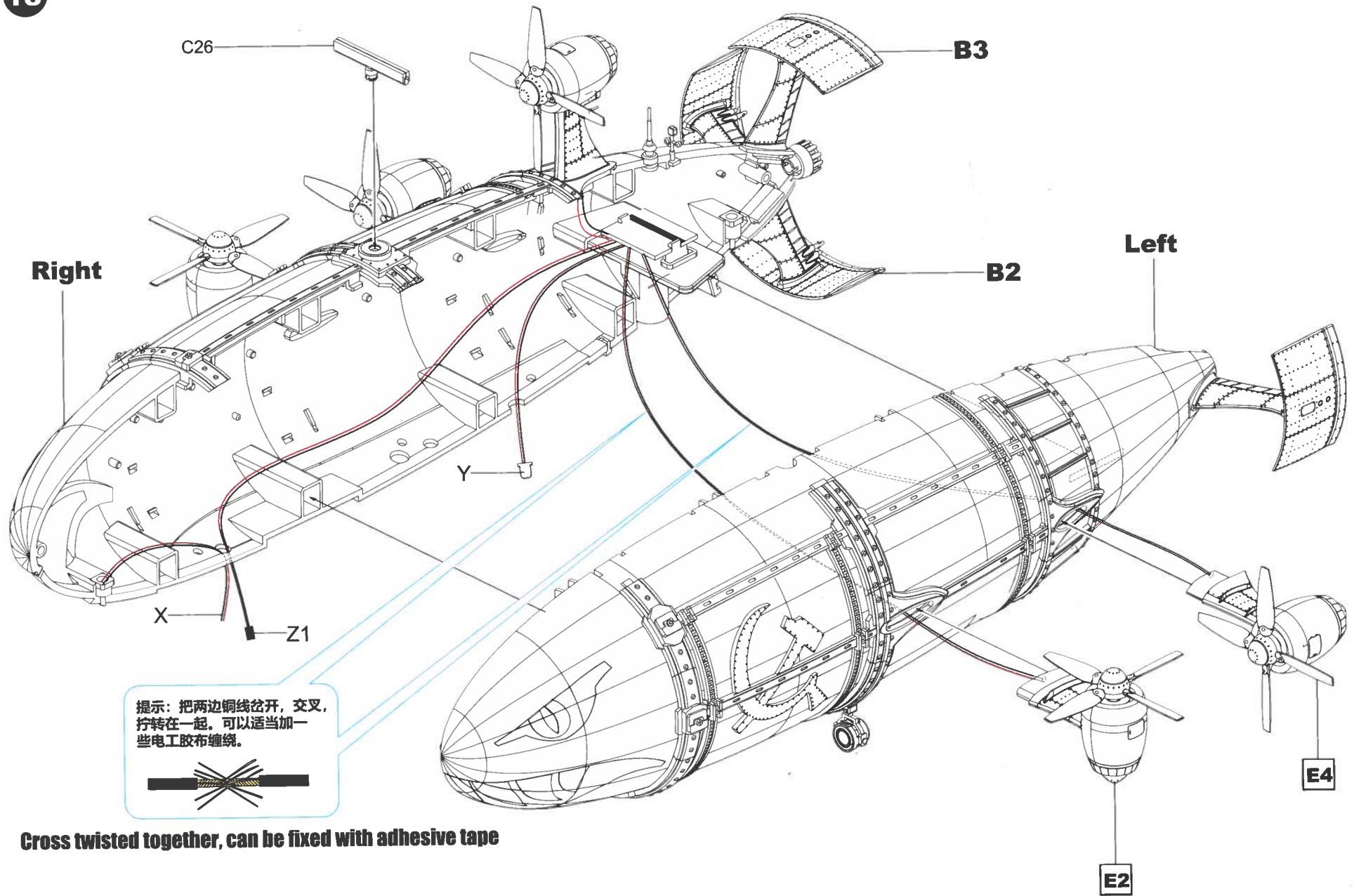
M



G4



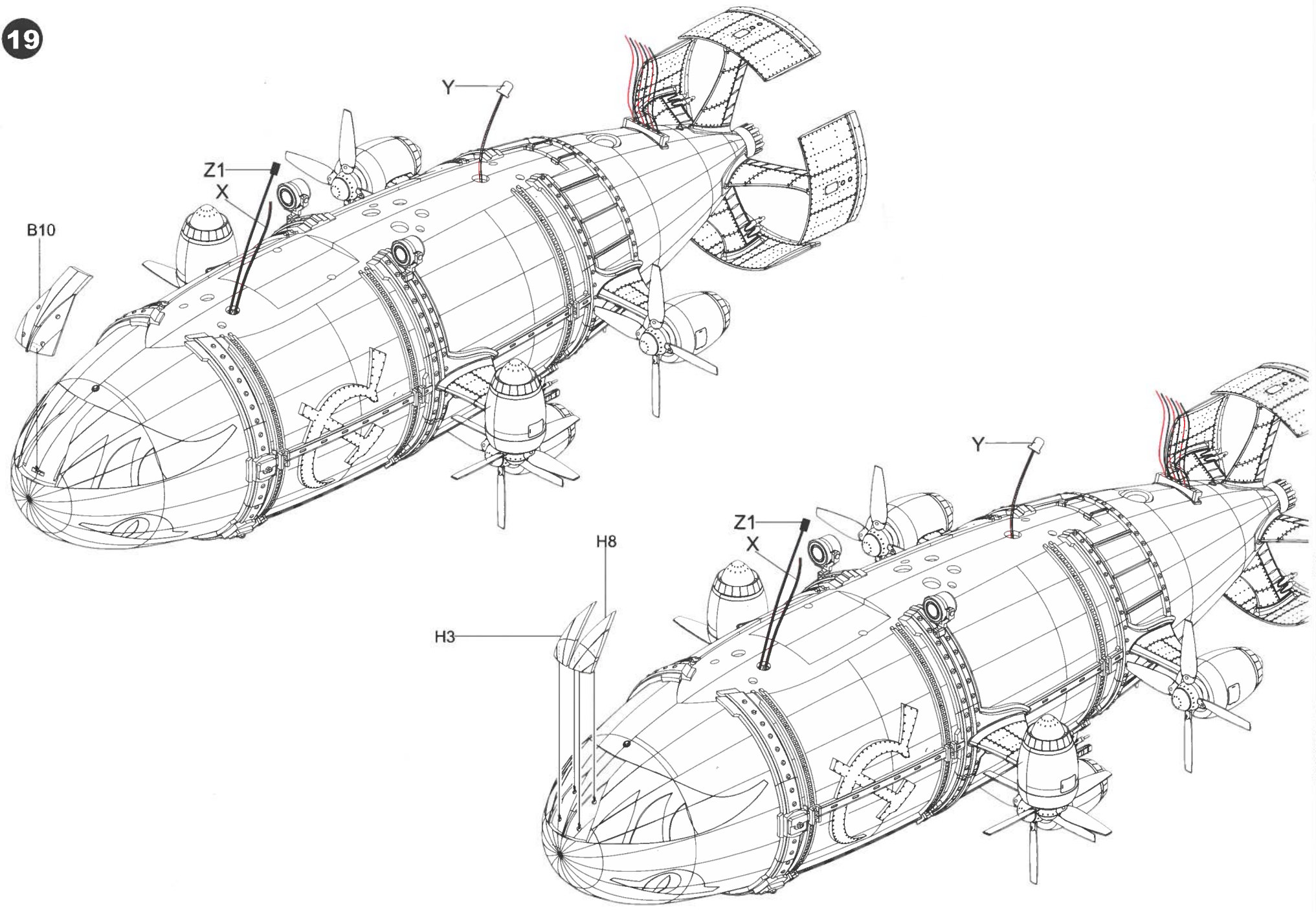
M MAKE 4



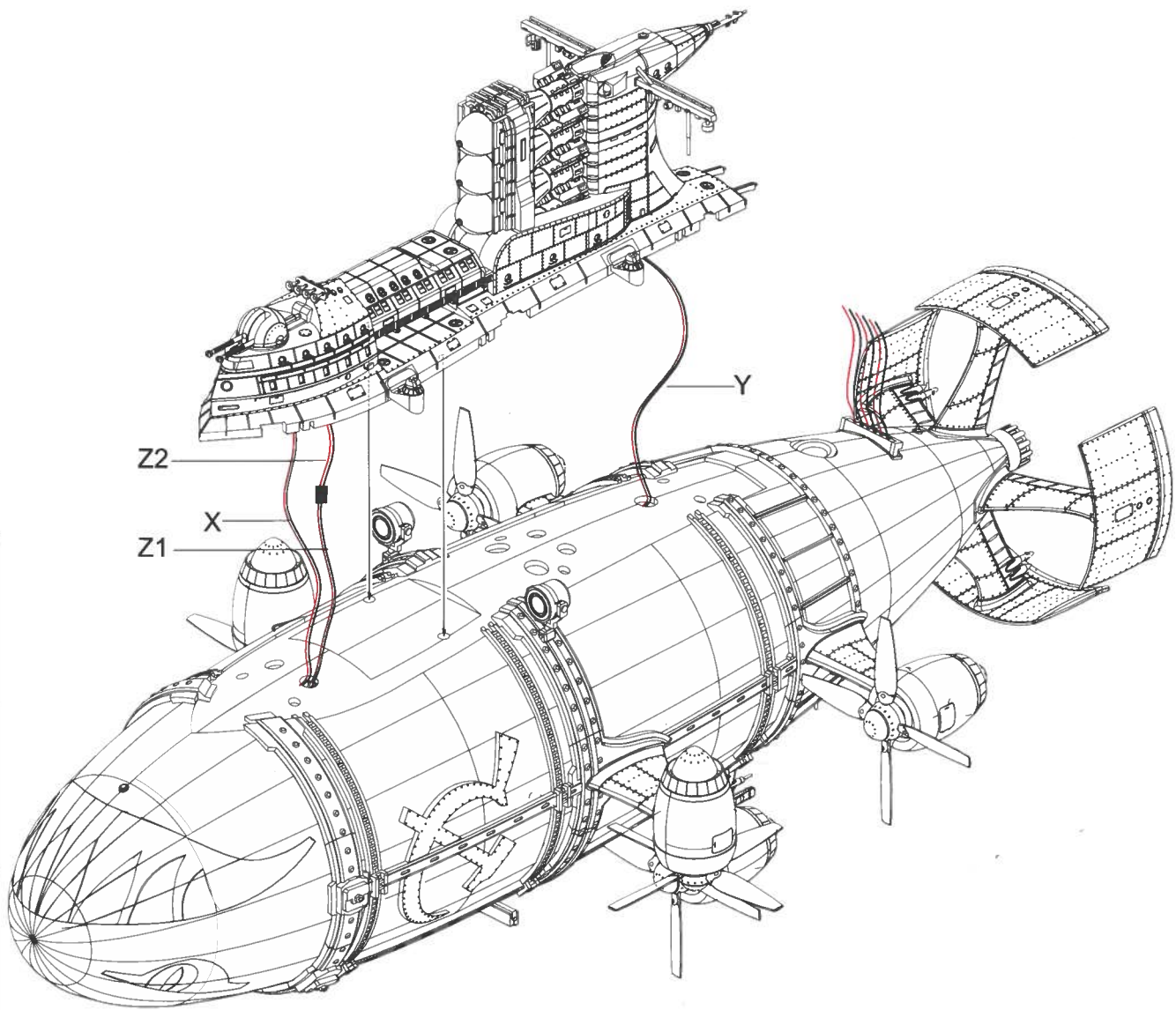
提示：把两边铜线岔开，交叉，拧转在一起。可以适当加一些电工胶布缠绕。

Cross twisted together, can be fixed with adhesive tape

19



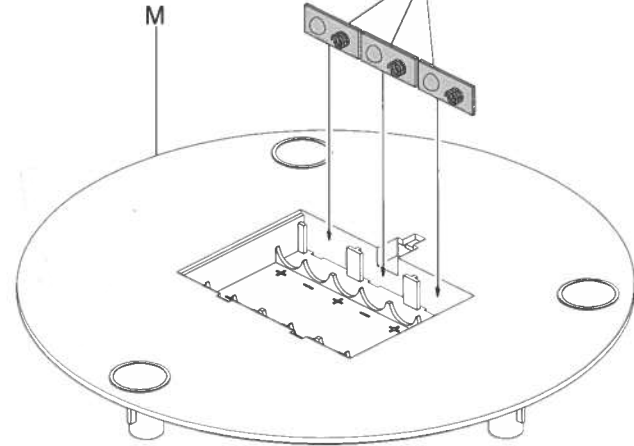
20



21

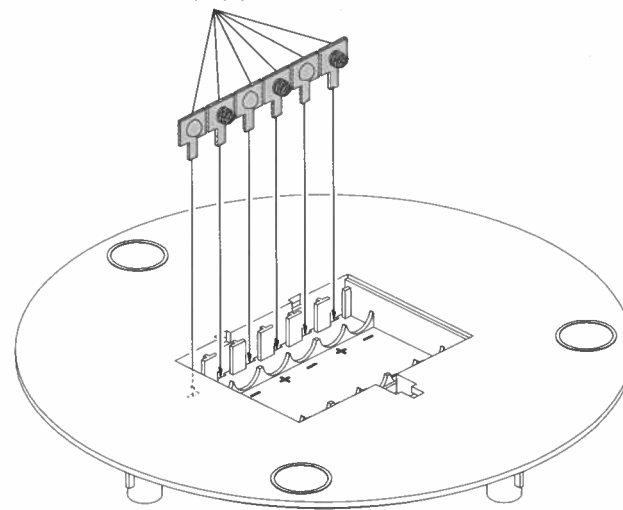
Battery mounting plate

电池片

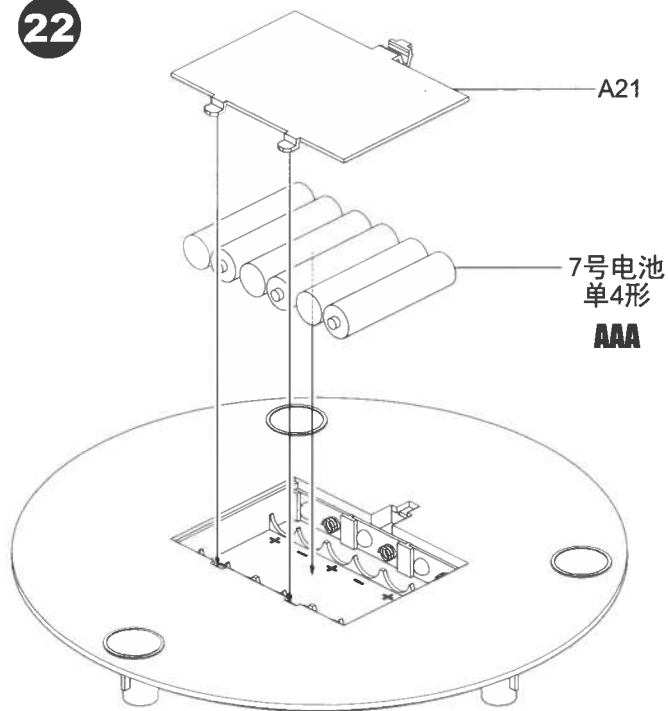


Battery mounting plate

电池片

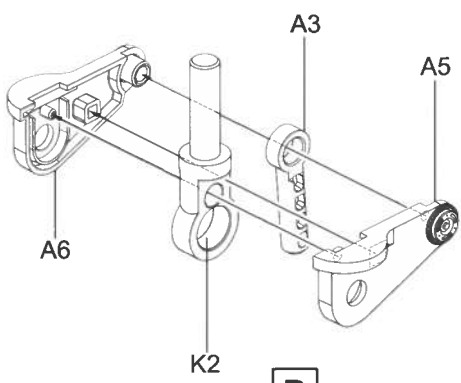
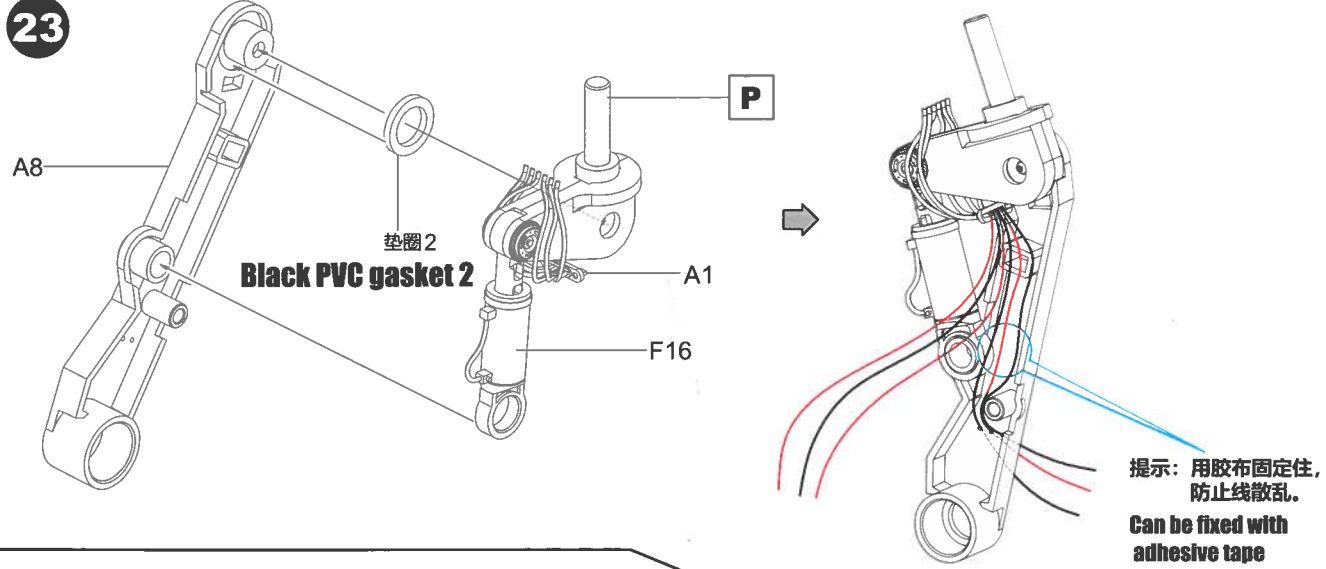


22

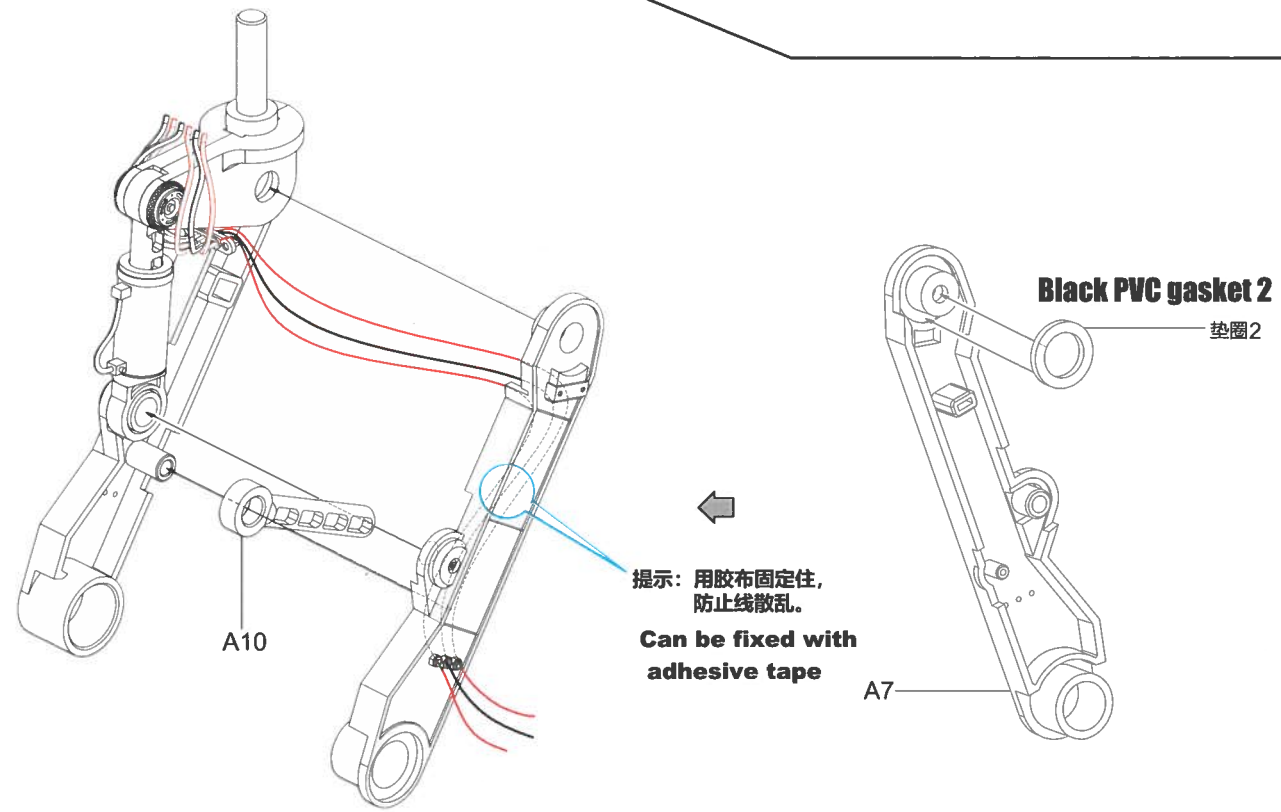


N

23



P

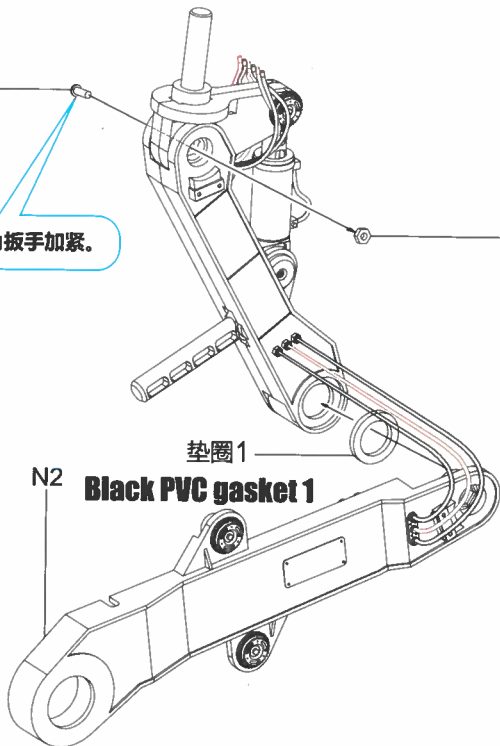


24

M4*6
六角金属螺丝

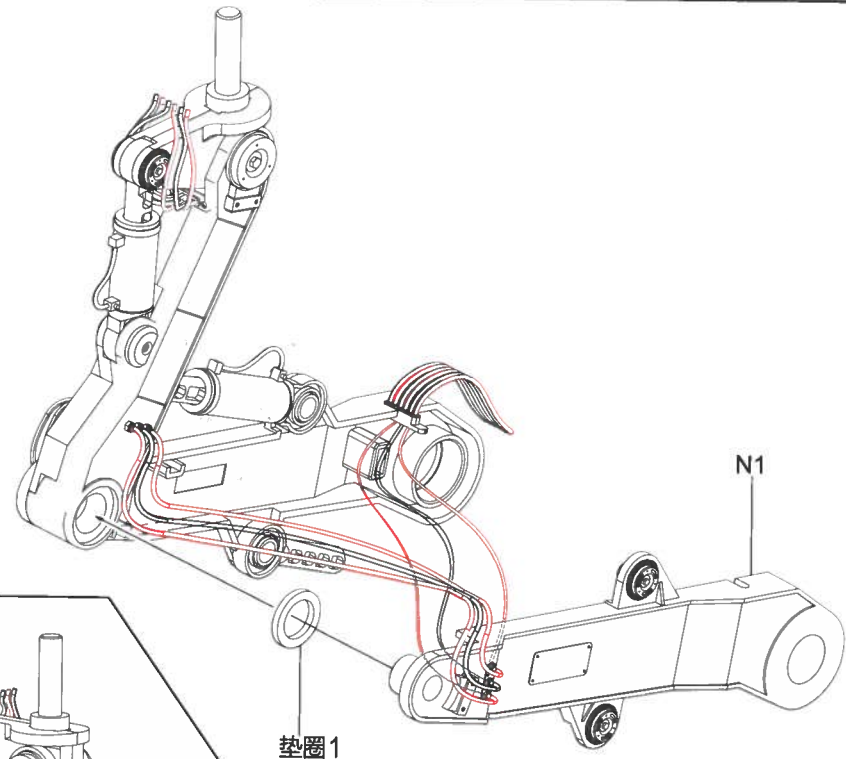
提示: 用内六角扳手加紧。

NUT
六角金属螺母

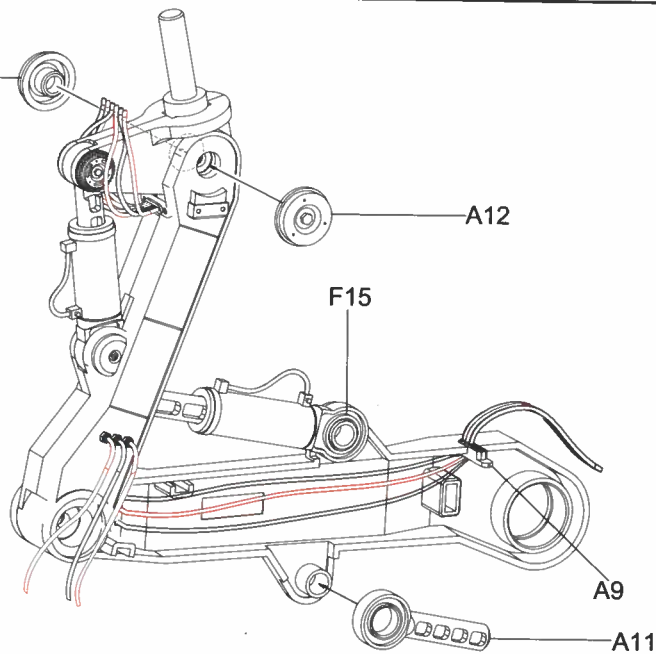


25

垫圈1
Black PVC gasket 1



A13



A12

F15

A9

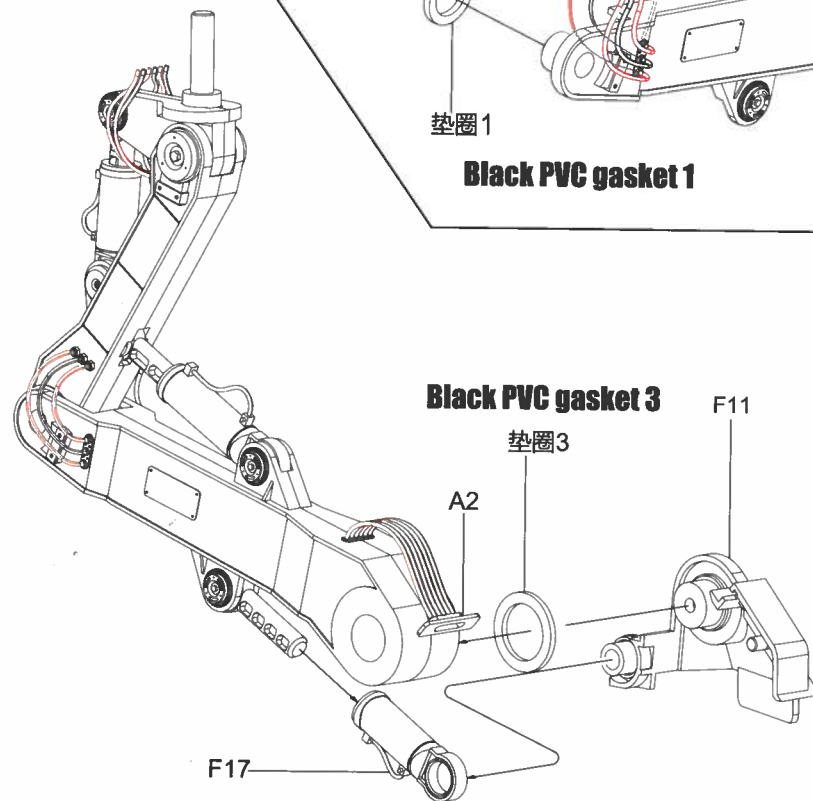
A11

Black PVC gasket 3

F11

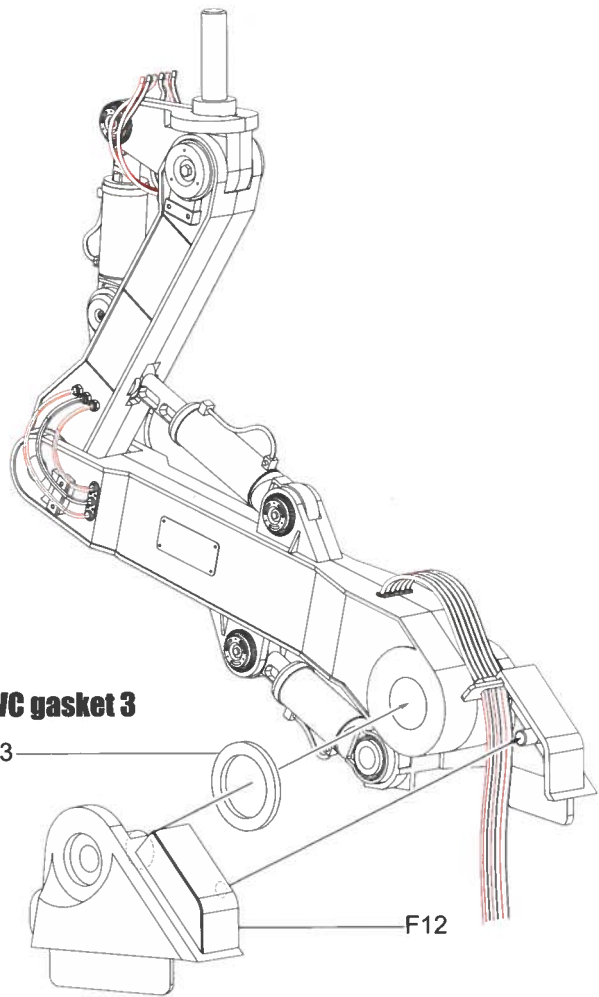
垫圈3

A2



F17

26

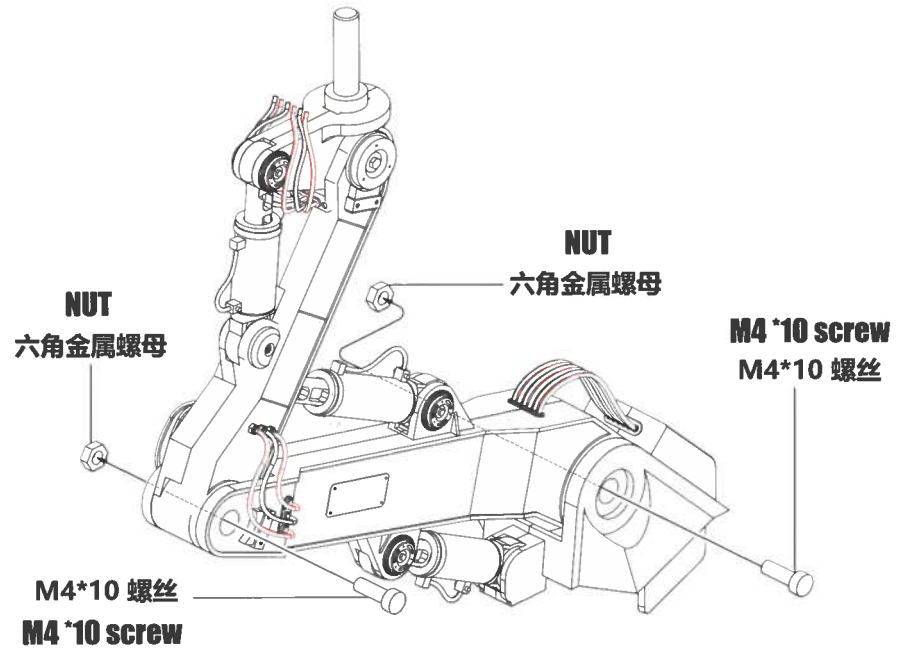


Black PVC gasket 3

垫圈 3

F12

27

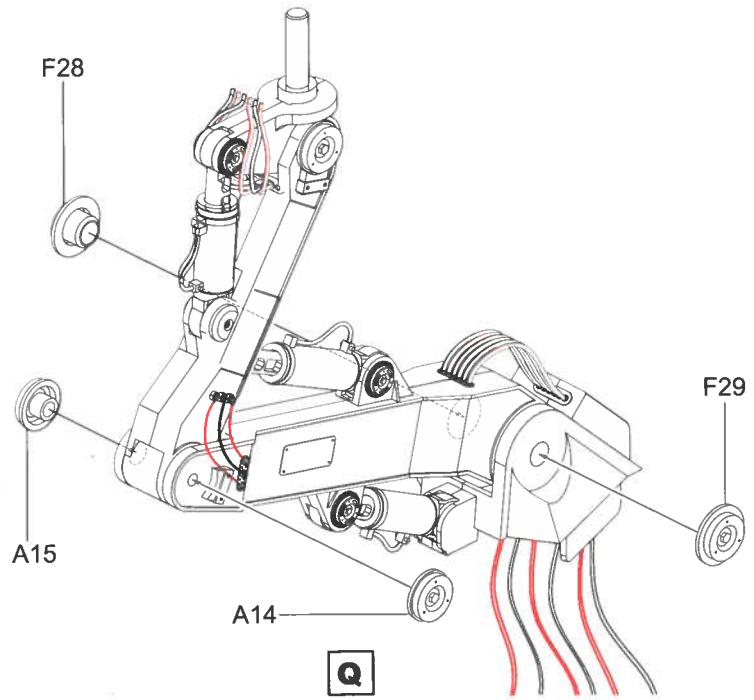


NUT
六角金属螺母

NUT
六角金属螺母

M4*10 screw
M4*10 螺丝

M4*10 螺丝
M4*10 screw



F28

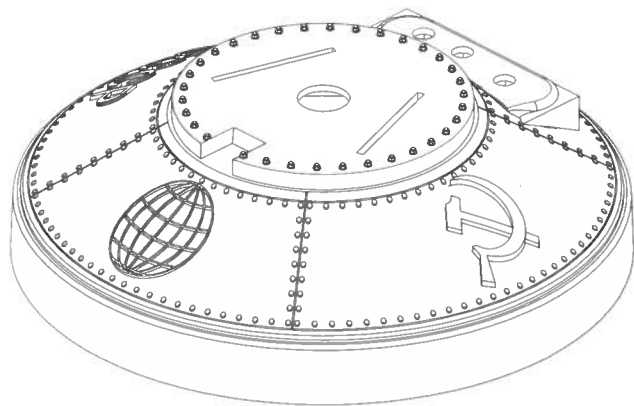
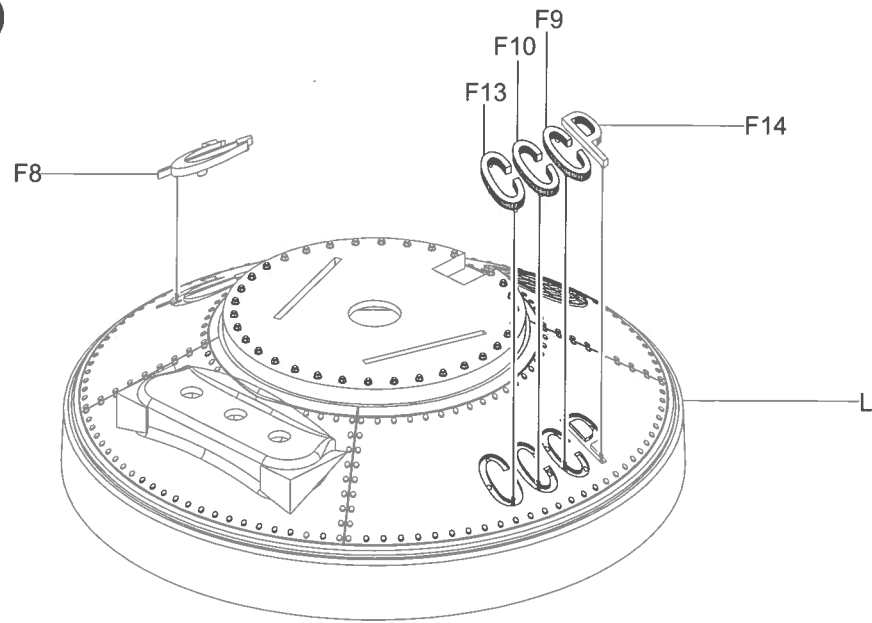
F29

A15

A14

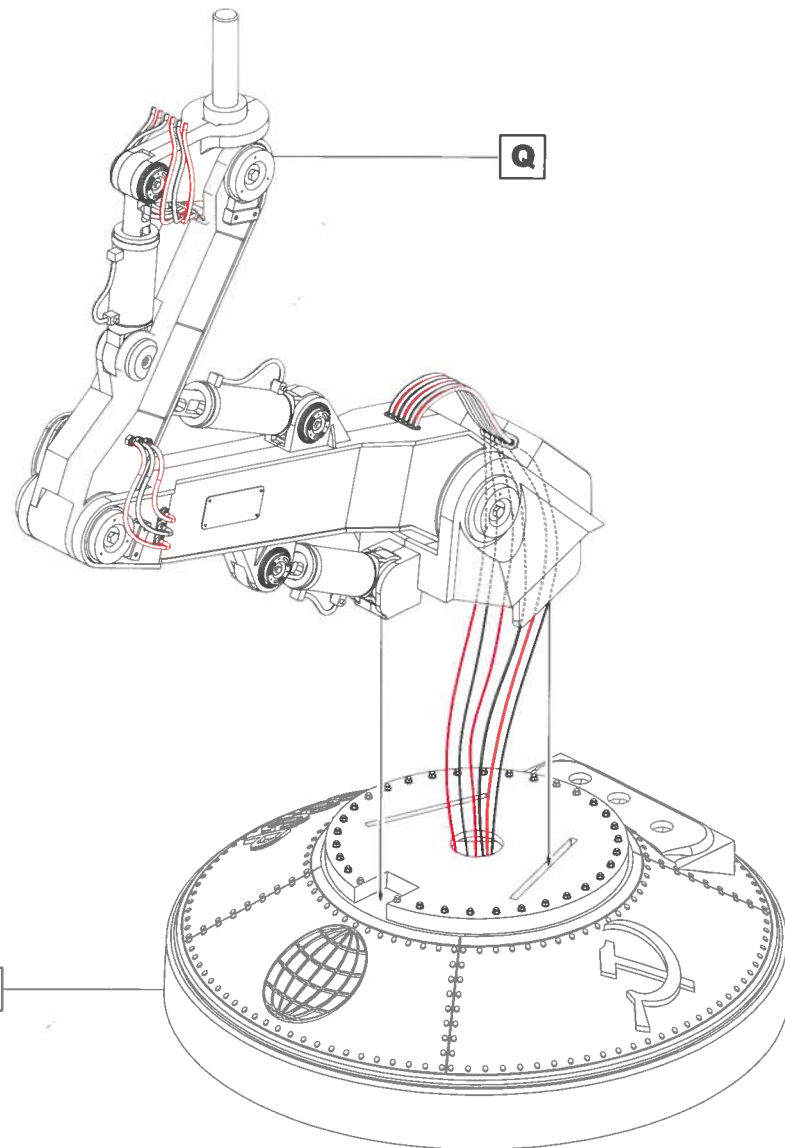
Q

28



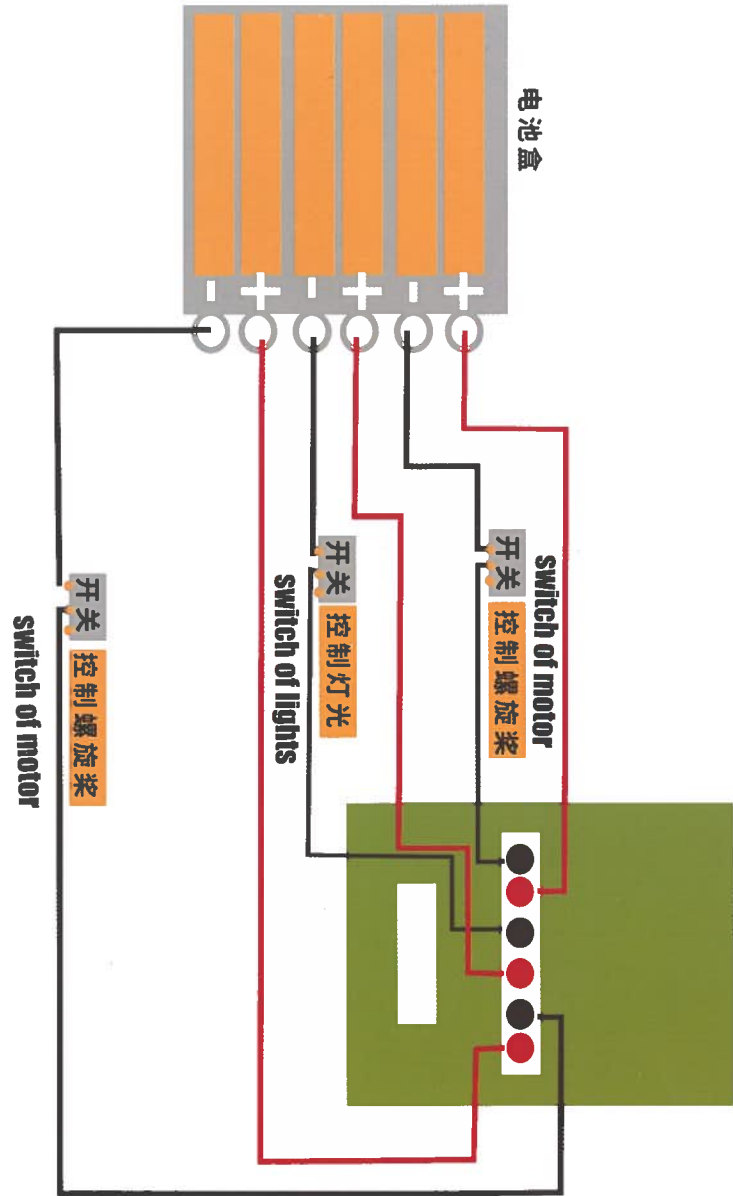
R

29

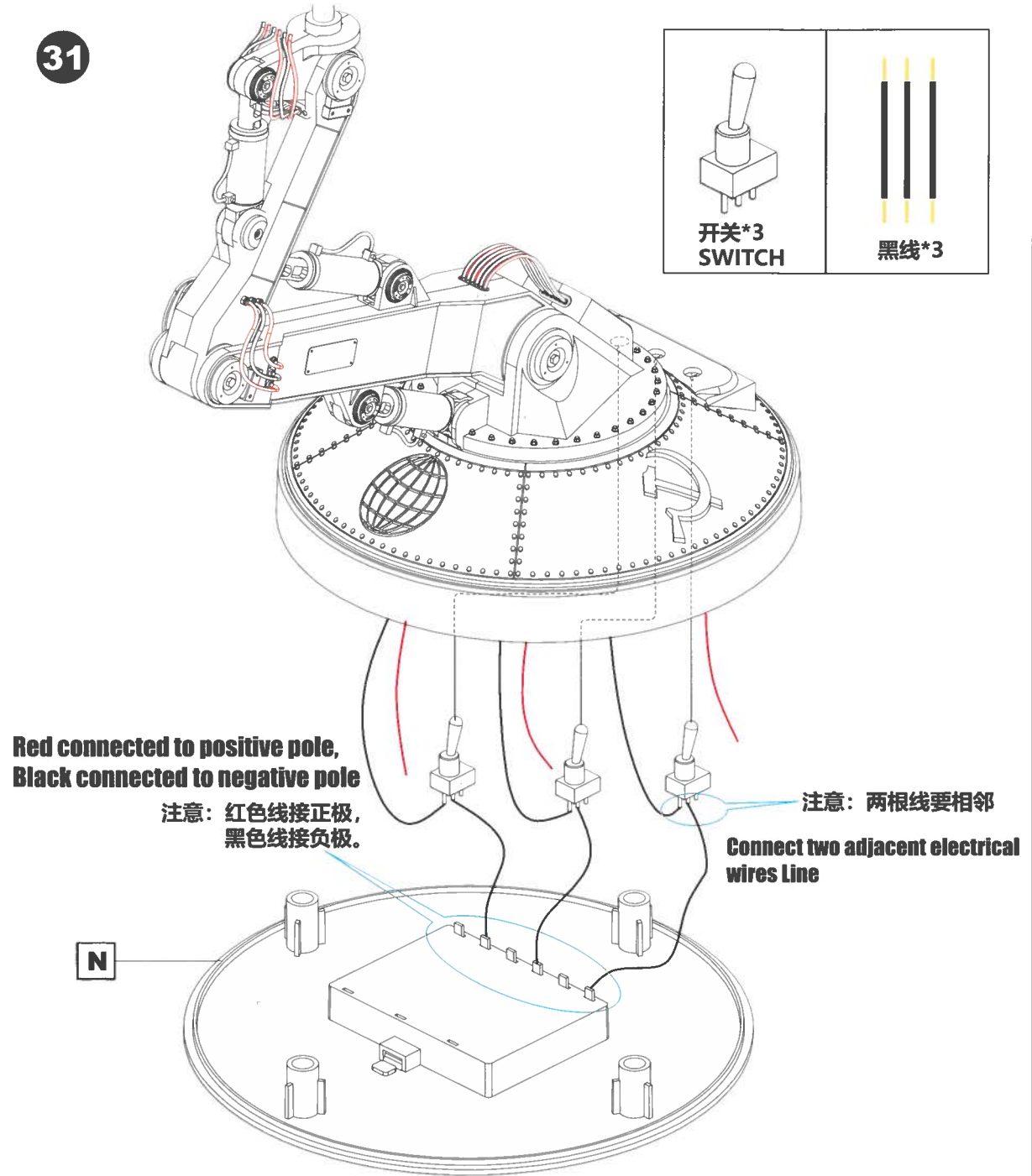


R

30

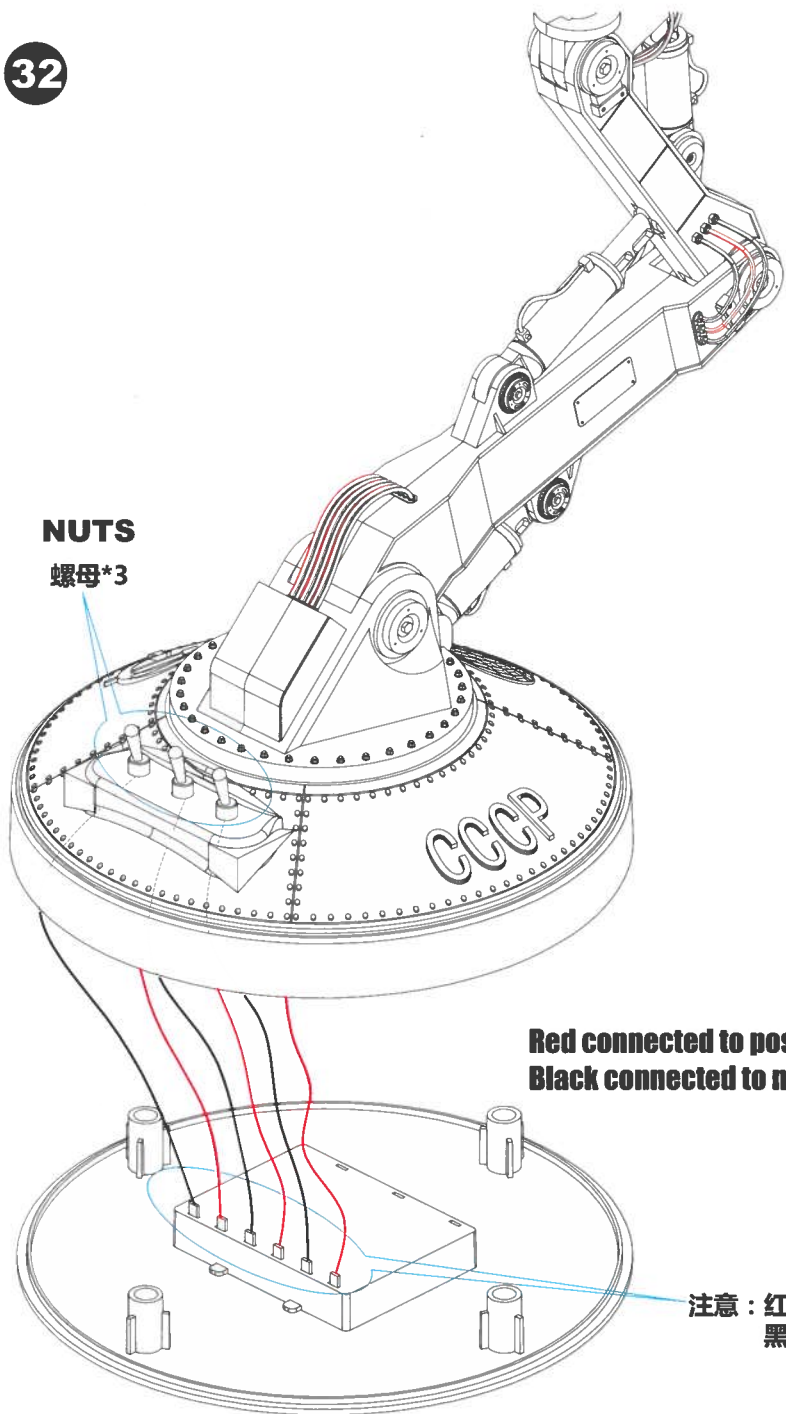


31



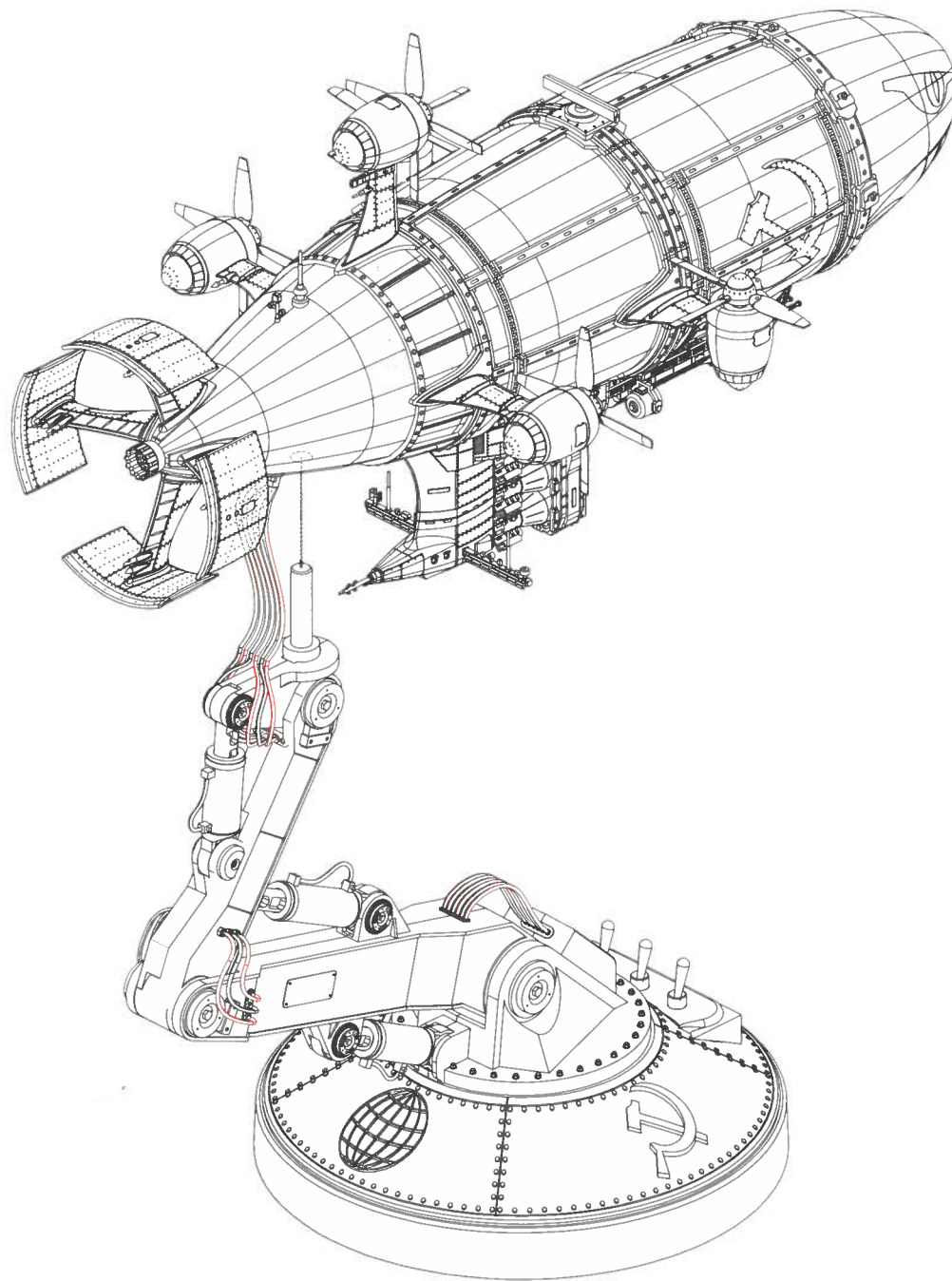
32

NUTS
螺母*3



Red connected to positive pole,
Black connected to negative pole

注意：红色线接正极，
黑色线接负极。



Kirov Airship

