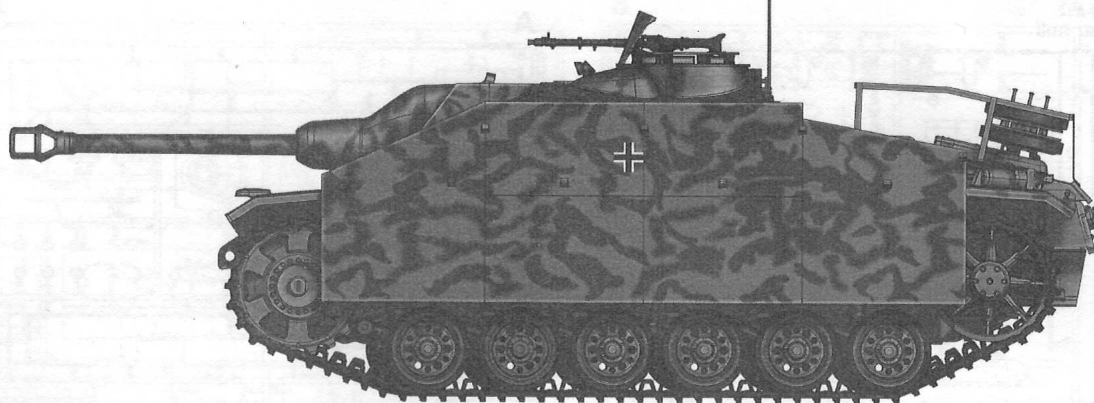


1/16 SCALE

ITEM NO.:00946



StuG.III Ausf.G 1943 Production

德国III号突击炮G型1943年量产型

READ BEFORE ASSEMBLY:

- Study and understand these instructions thoroughly before beginning assembly
- When needed, remove photo-etch parts carefully using a modeling knife or photo etch sprue cutter, being careful not to damage or lose small parts.
- Take extra care in handling photo etch parts in order to avoid injury
- Apply instant cement sparingly to photo etch parts where instructed
- Tools recommended(not included in kit):Plastic and instant cements, sprue cutters,long nose pliers,modeling knife, small files, tweezers, pin vise & scissors. Soft cloth and sandpaper will also assist in construction
- Glue and paint are not included in the kit. Use plastic cement and hobby paints only. Color guide for purchasing paint is included in the kit.

装配之前仔细阅读

- 小心用模型锉刀锉平所有零件表面的注射浇口。
- 小心用刀片切下蚀刻片零件，不要遗失小零件。
- 用强力快干胶水粘合蚀刻片零件和金属轴。过量快干胶水使用可能导致可动零件会粘住，小心涂胶。
- 取蚀刻片时应特别注意安全，防止利边划伤手指。
- 某些零件表面需贴上水贴纸，请选择在装配的同时进行。
- 推荐模型工具(自备)：胶水，水口剪刀，长咀钳，刀片，锉刀，镊子，钳，钻，剪刀，瞬间快干胶。
- 软布同砂纸同时也是所需工具。
- 请使用塑料胶水和油漆，模型内不含。



使用强力胶
Cyanoacrylate glue



配重
Weight



钻孔
Make hole



切除
Cut / Remove



贴纸
Decal



锉平
File / Sand



选择
Option



不涂胶水
No cement



弯曲
Bend



先装
Install it first



填补
Repair

水贴纸的使用:

- 1.从水贴纸上剪下印花;
- 2.将印花放入温水中浸10秒, 然后放在干净布上。
- 3.拿着印花纸板将印花移到模型上;
- 4.手指蘸水将印花移到适当的位置;
- 5.用软布轻压印花直至水干, 汽泡消失

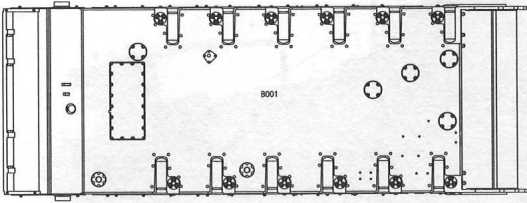
DECAL APPLICATION

- 1.Cut decals from sheet as needed
- 2.Dip the decal in warm water for about 10 seconds and then place on soft clean cloth.
- 3.Hold the decal backing sheet edge and gently slide the decal onto the model in its proper position.
- 4.While still wet,decal can be adjusted for better fit on model by dampening it gently with your finger.
- 5.When placed in the proper position,gently press decal down with a soft cloth until excess water and air bubbles are gone.
- 6.Allow decal to dry completely before handling model

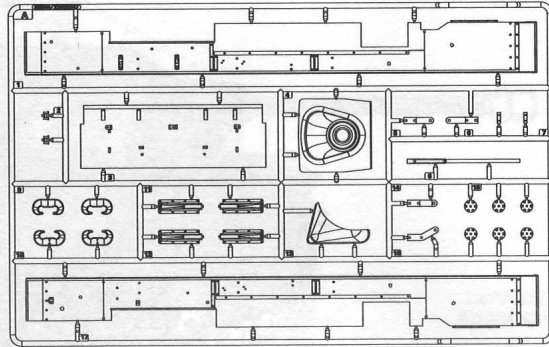
* 说明书中含有重要信息, 应保留。 Please Keep instruction since it contains important information.

部品图 Parts

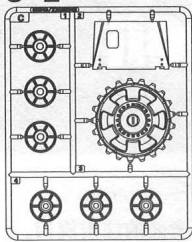
《车底》
Lower hull



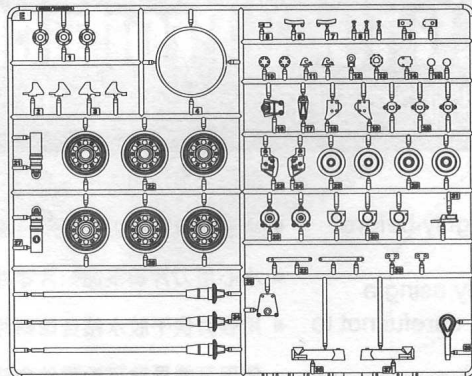
A



Cx2

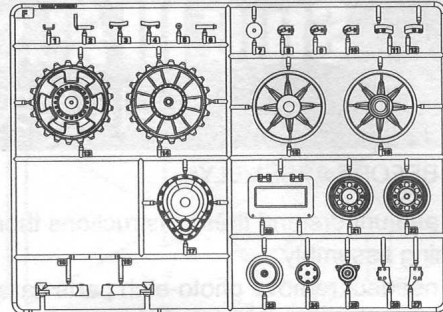


Ex4



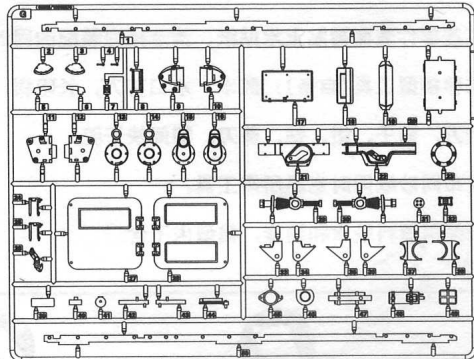
不用零件(NO USE):25.26.32#

Fx2

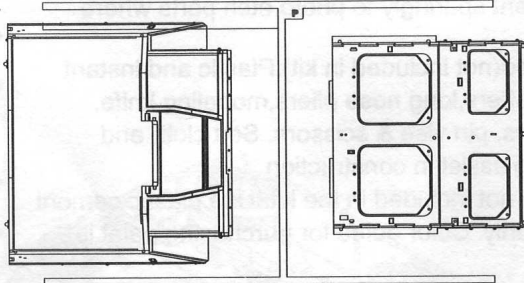


不用零件(NO USE):7.13.25#

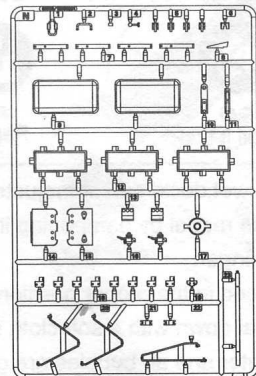
G



P

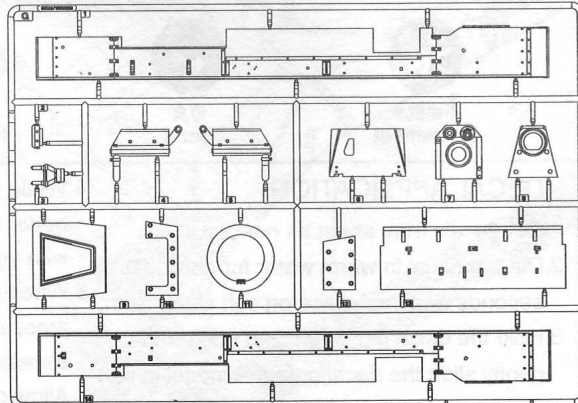


Nx2



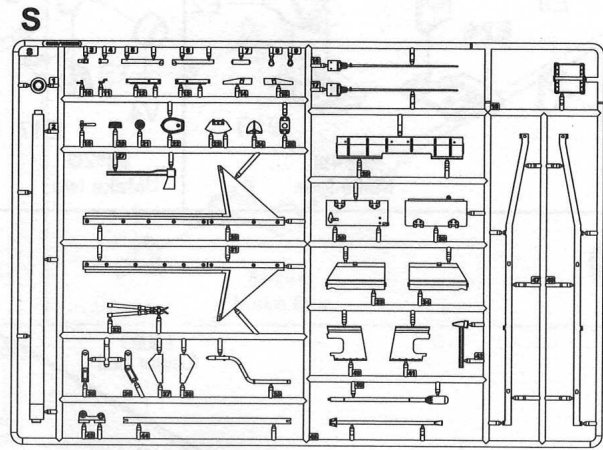
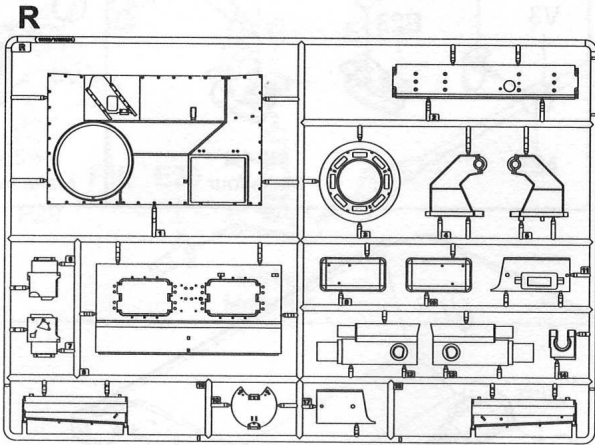
不用零件(NO USE):11#

Q

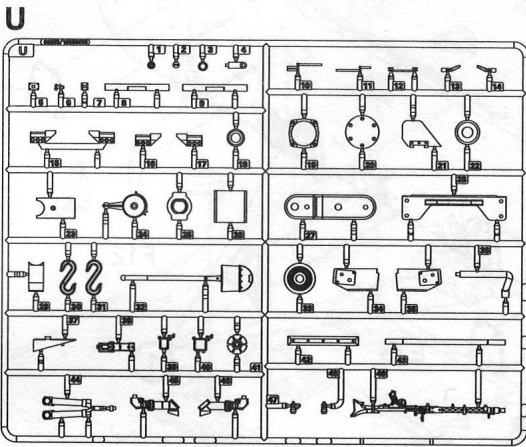


不用零件(NO USE):1.2.6.8.9.13.14#

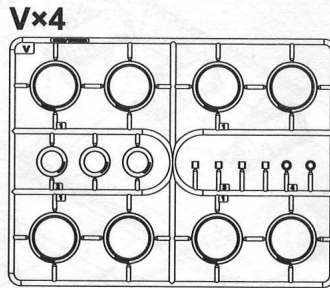
部品图 Parts



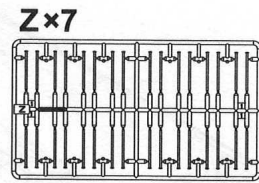
不用零件(NO USE):35.36.45#



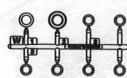
不用零件(NO USE):19.30.31.39.42#



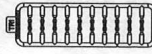
不用零件(NO USE):2#



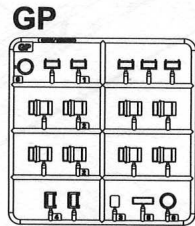
Wx2



TR1x19

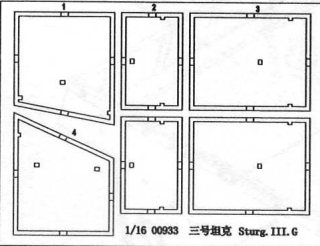


《履带》
Track x95



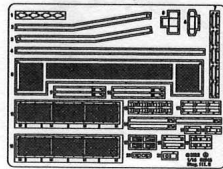
不用零件(NO USE):1.3.4.6#

《装甲裙板》x2
Armor skirt



1/16 0093 三号坦克 Stug. III.G

《蚀刻片A》
PE-A

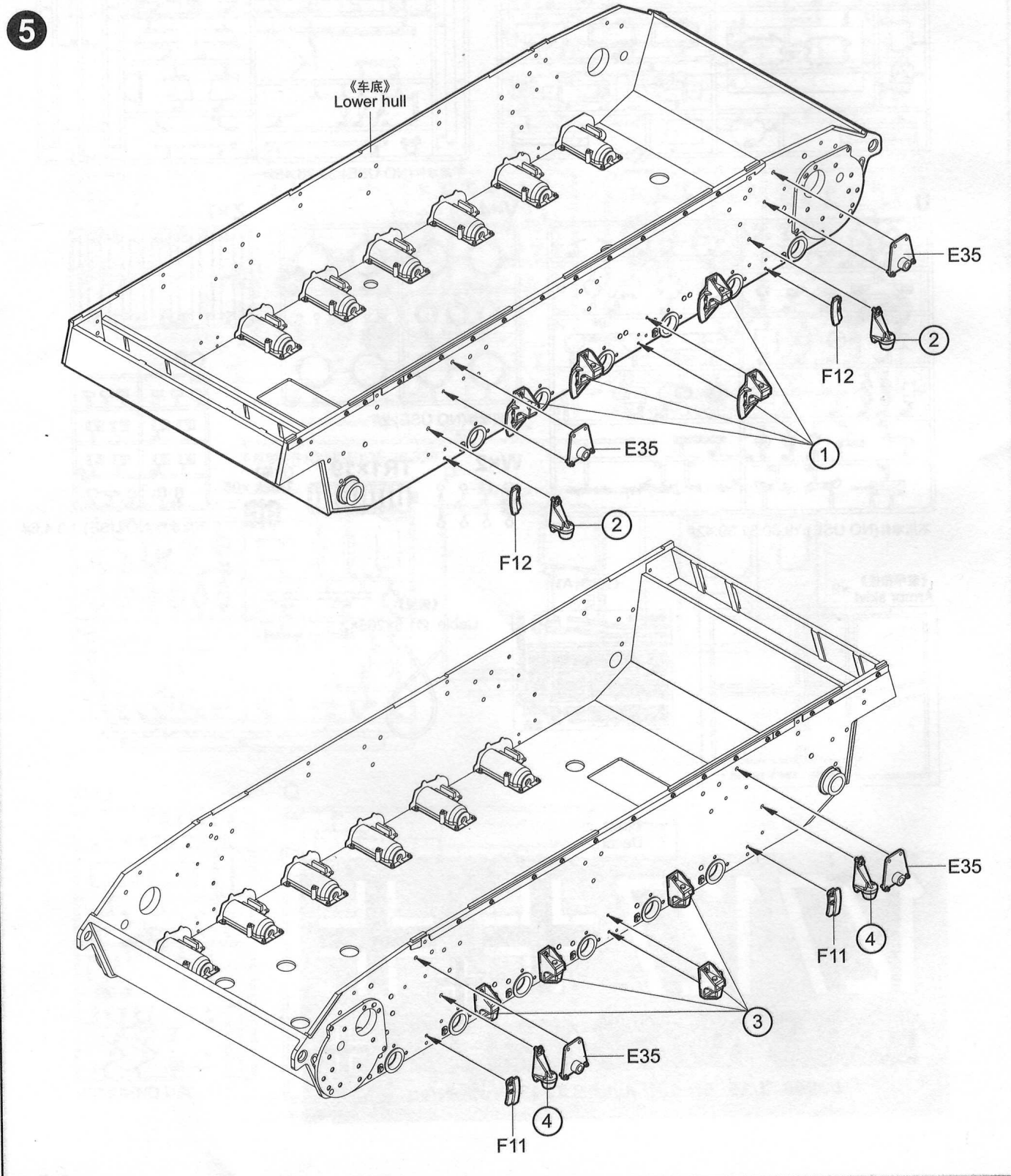
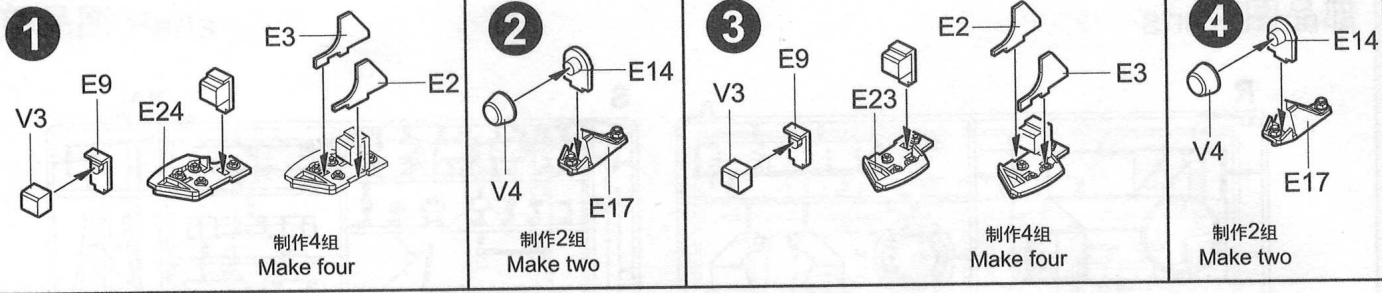


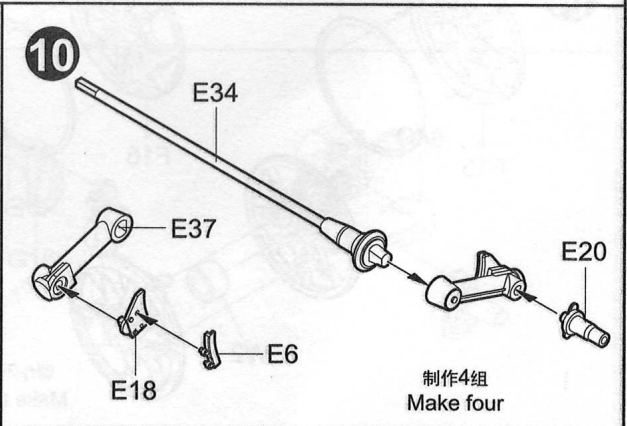
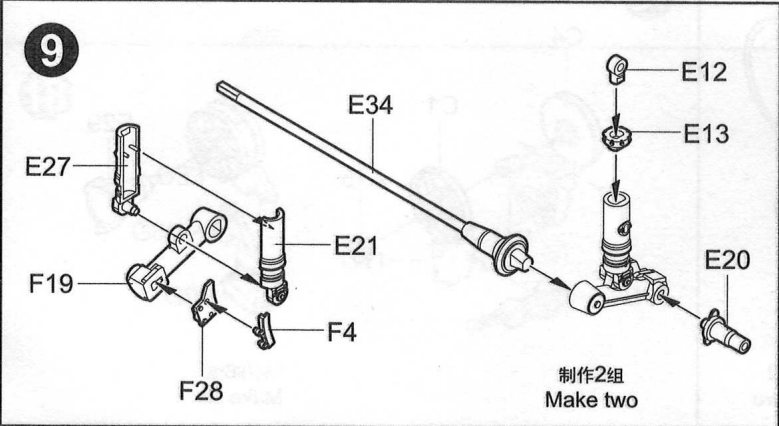
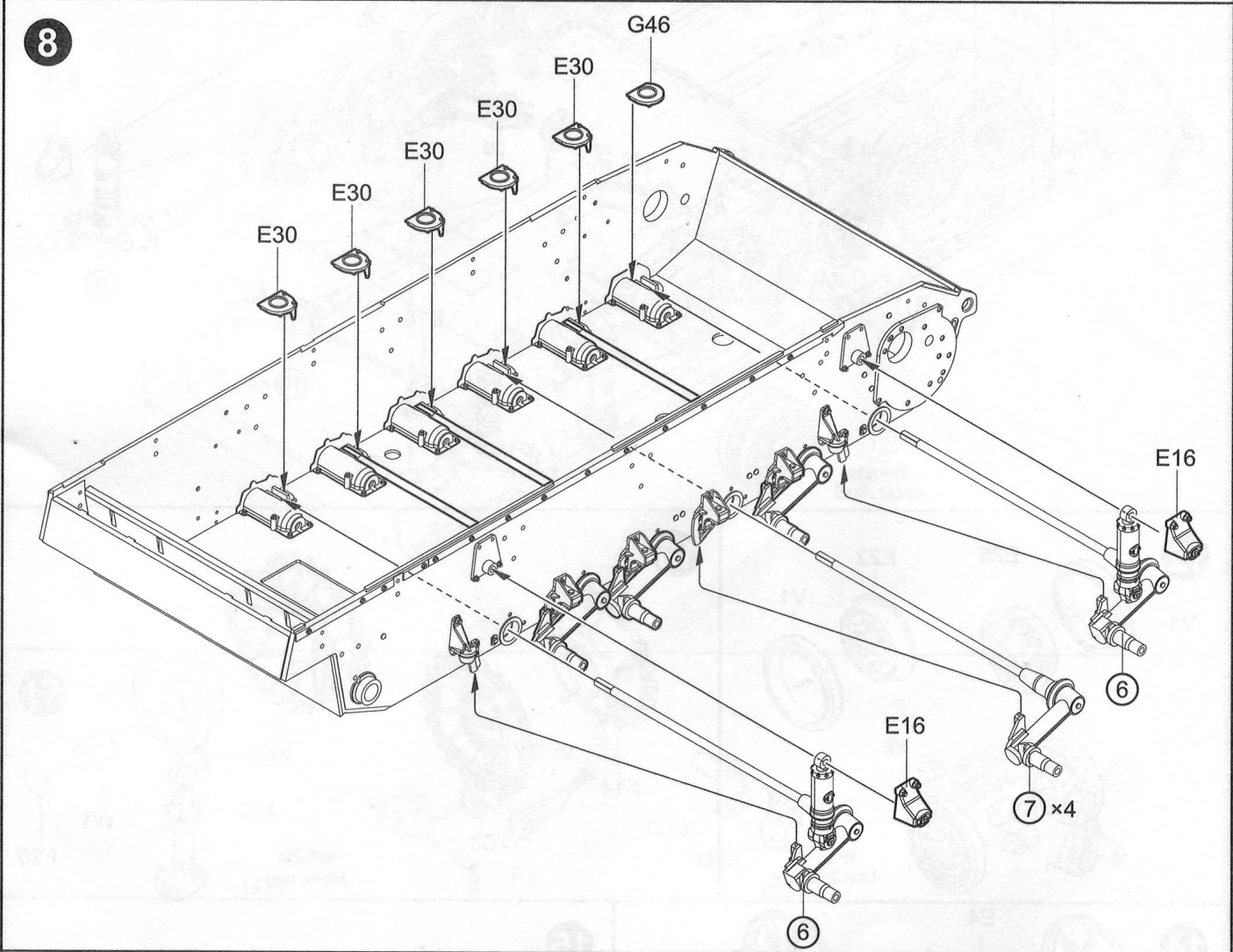
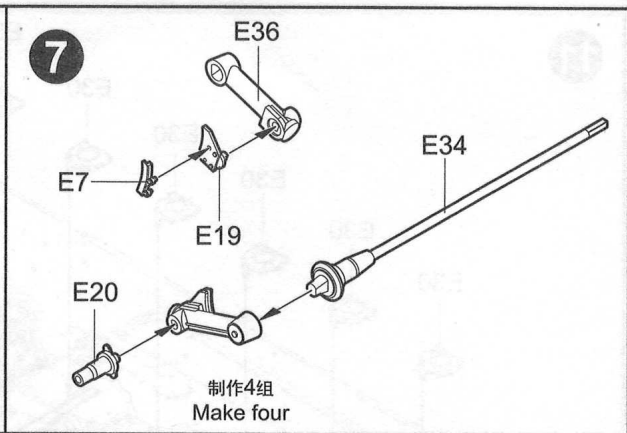
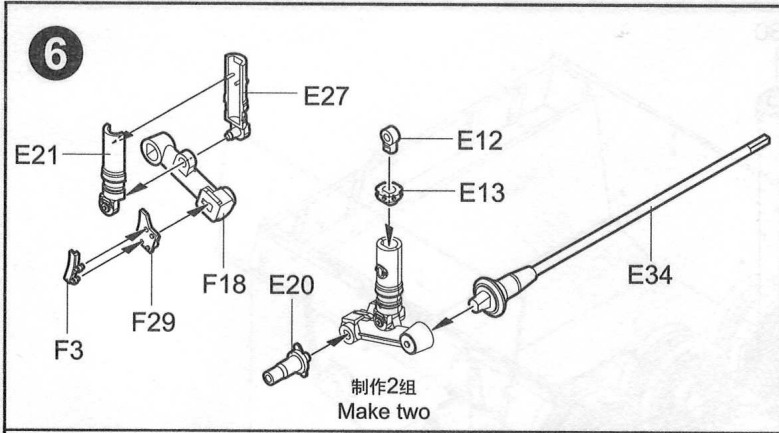
《铜缆》
Cable Ø1.5x265x2



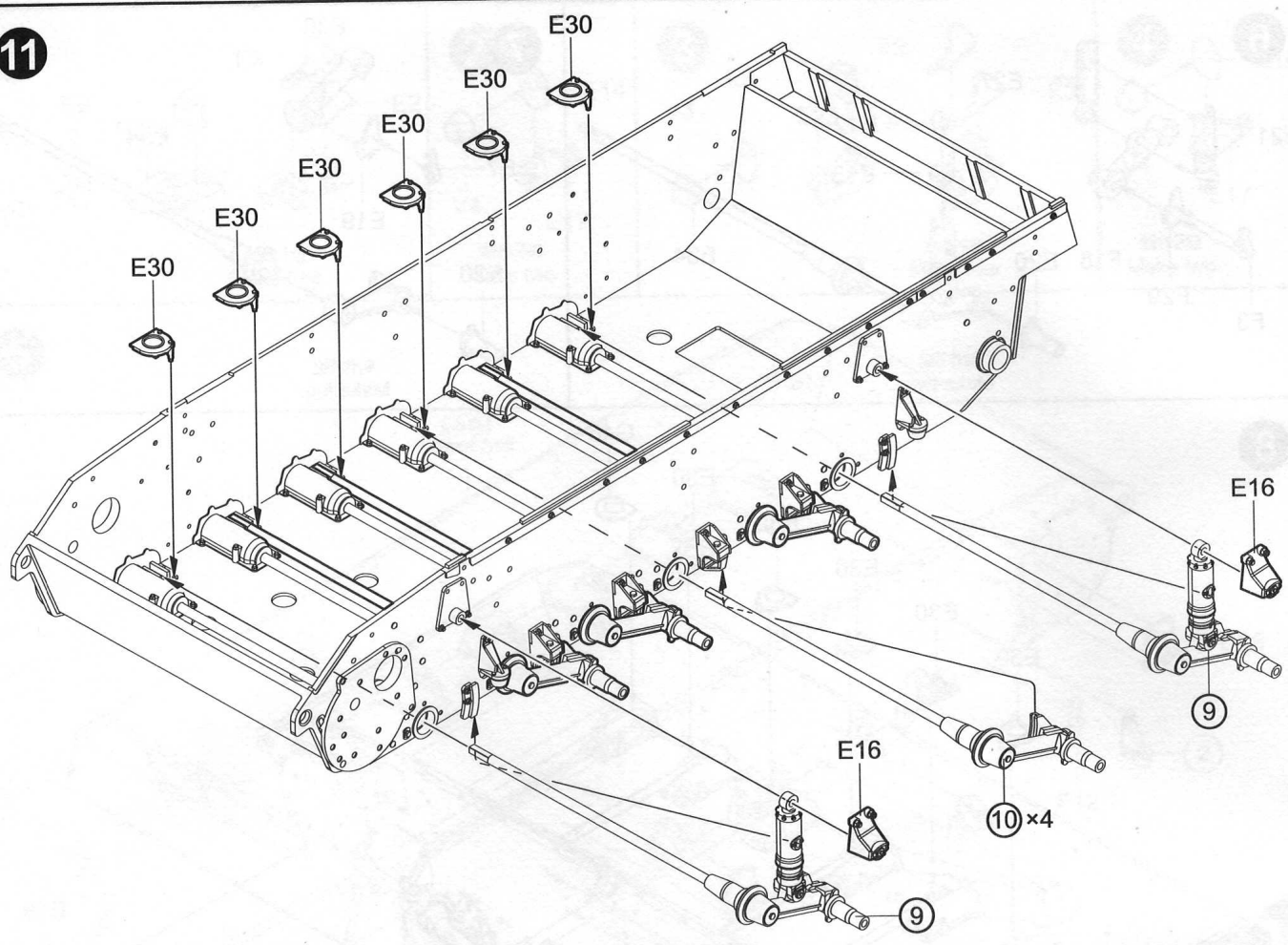
《水贴》
Decal



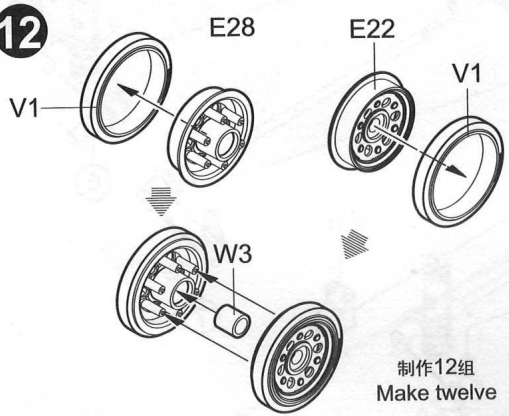




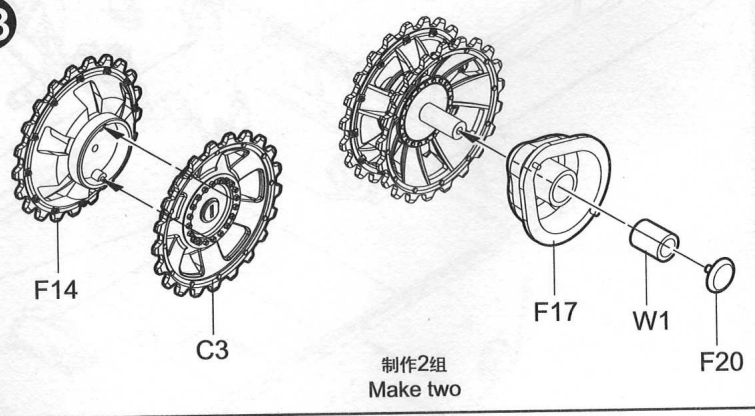
11



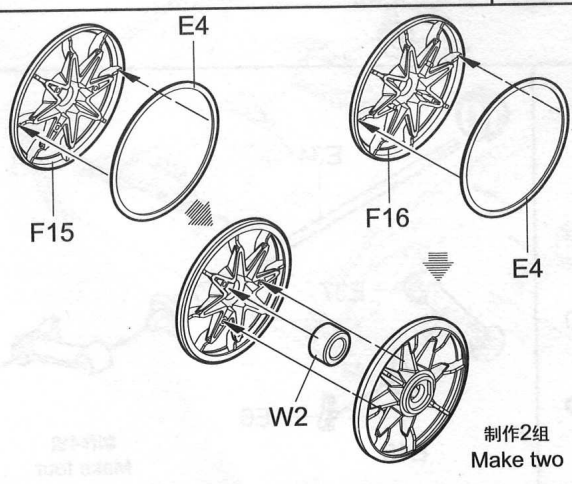
12



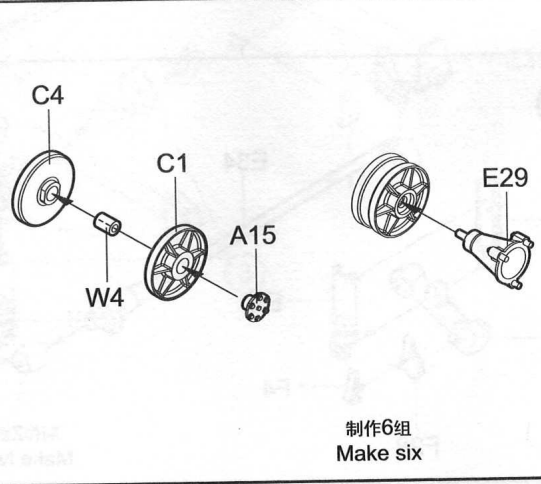
13



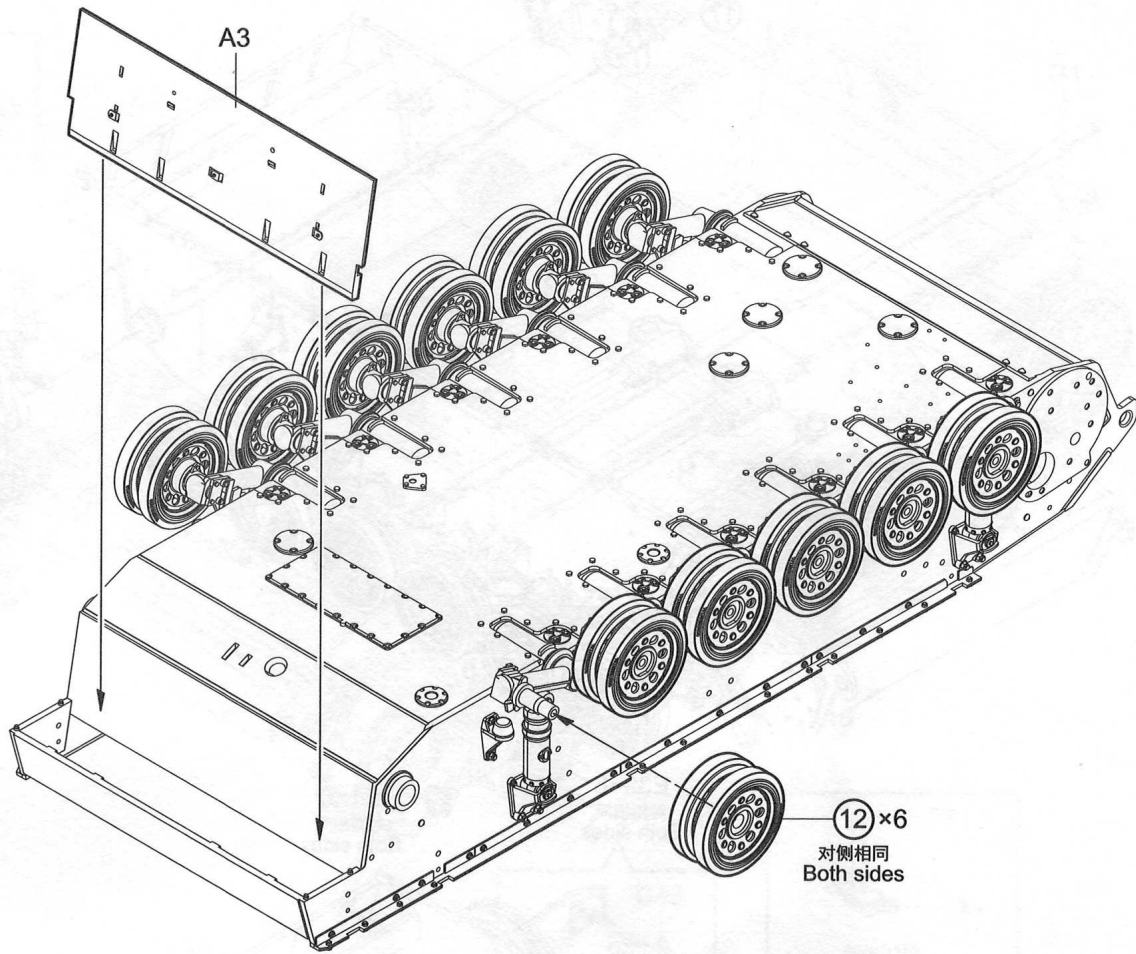
14



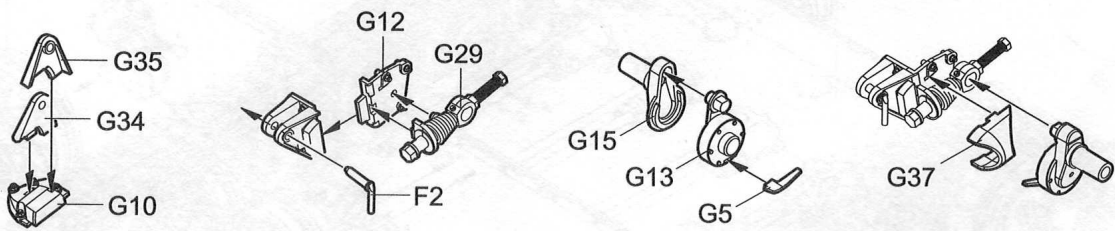
15



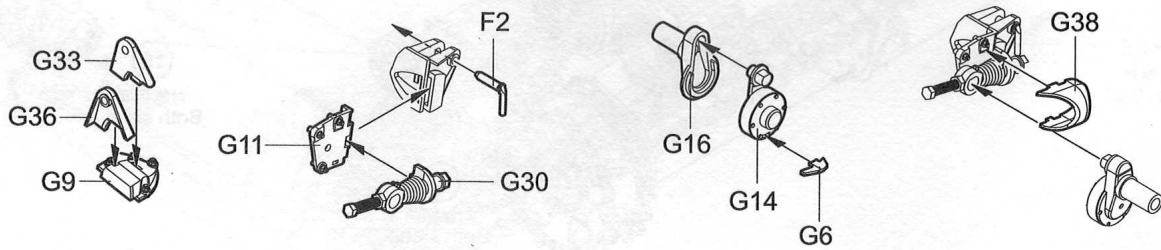
16



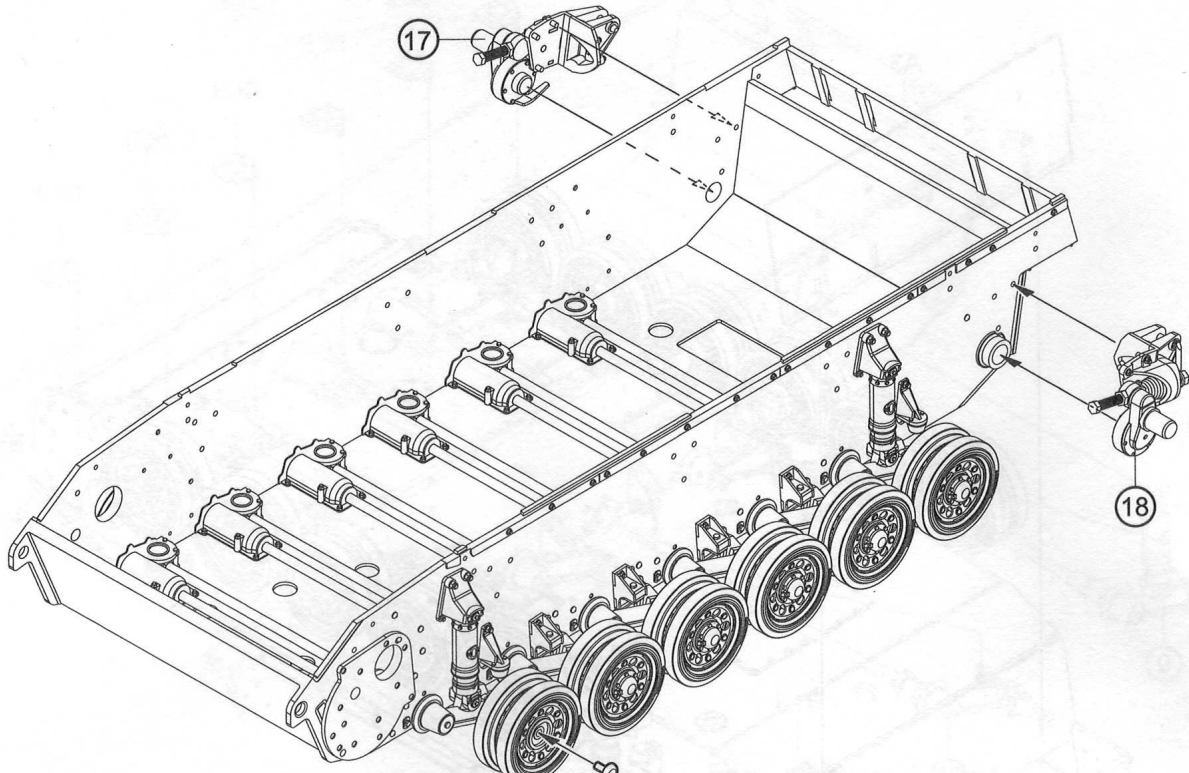
17



18

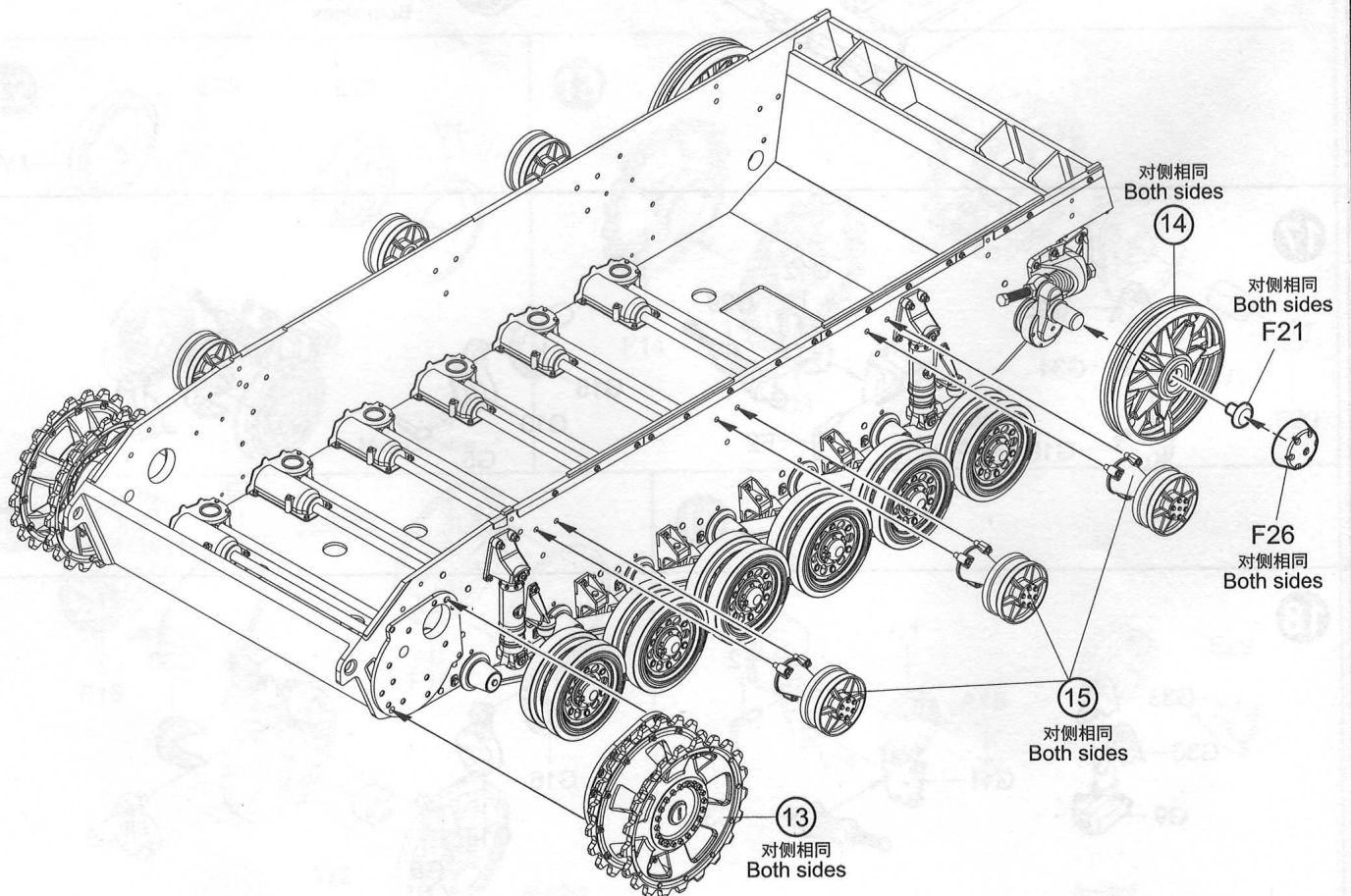


19



E39×6
对侧相同
Both sides

E1×6
对侧相同
Both sides



对侧相同
Both sides

14

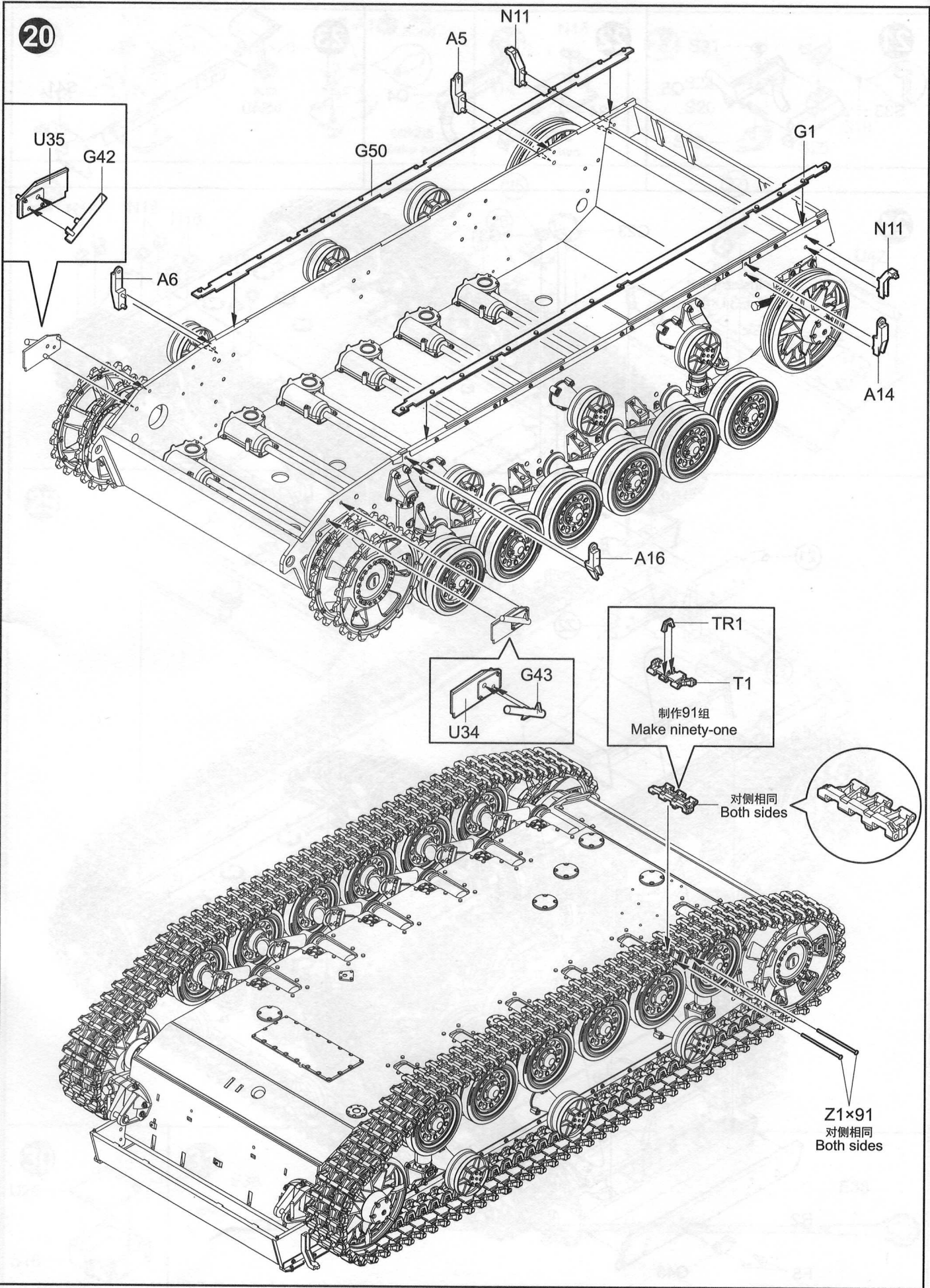
对侧相同
Both sides
F21

F26
对侧相同
Both sides

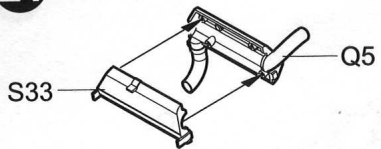
15
对侧相同
Both sides

13
对侧相同
Both sides

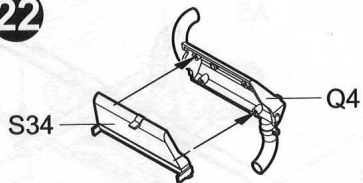
20



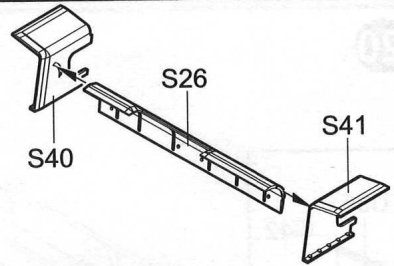
21



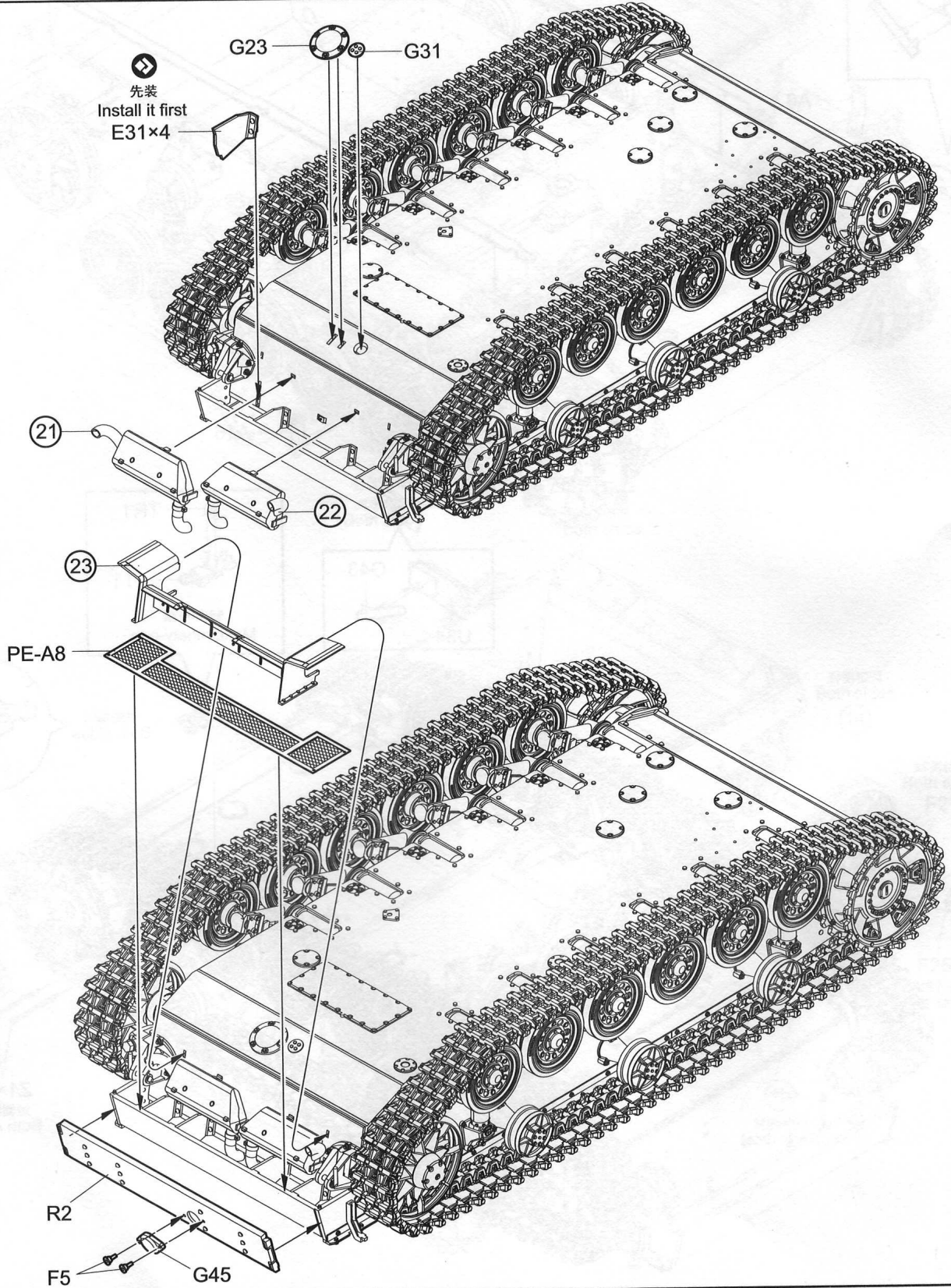
22

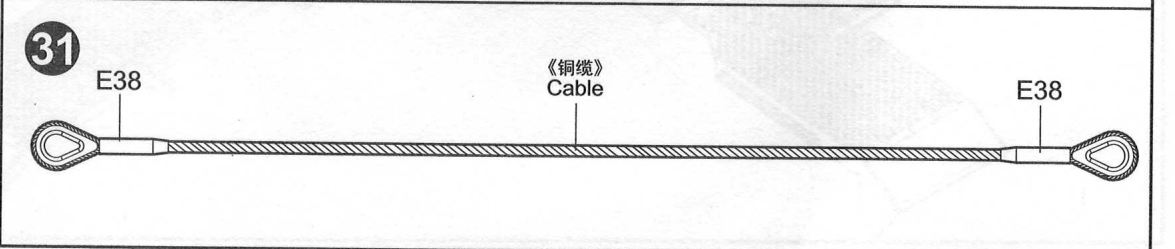
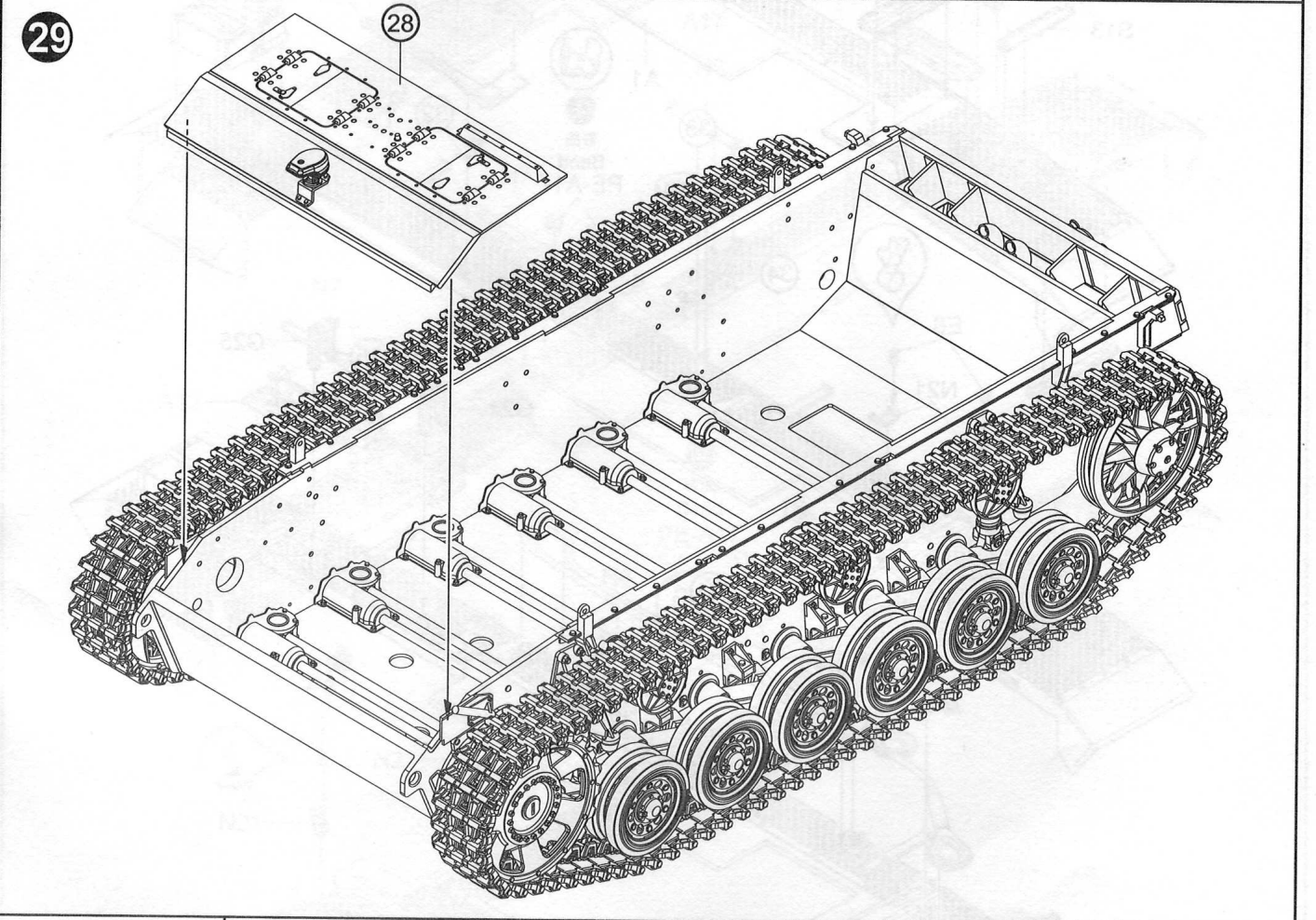
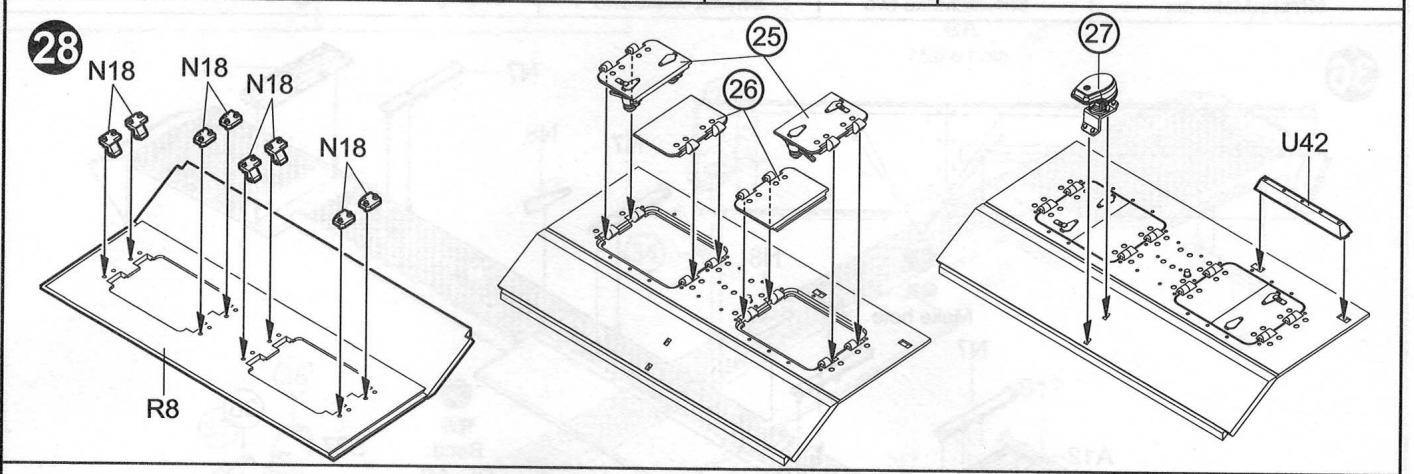
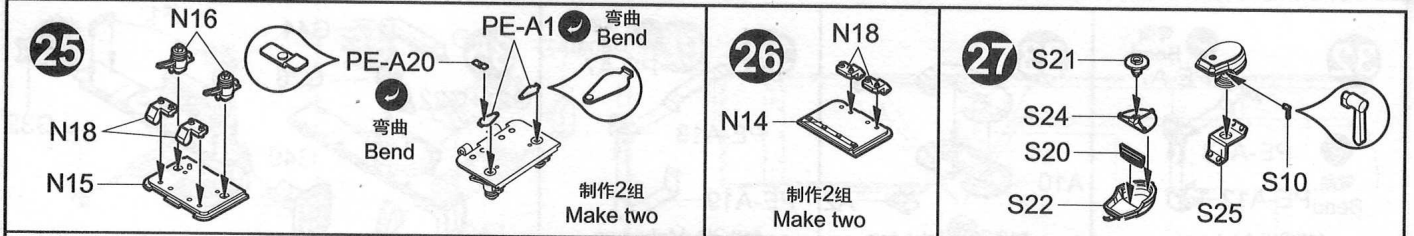


23



24

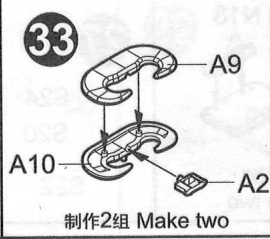




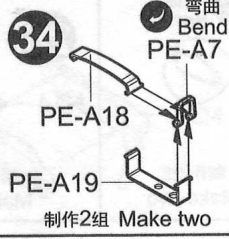
32



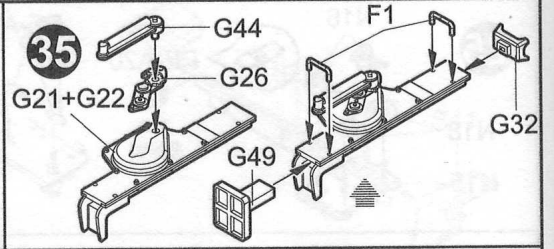
33



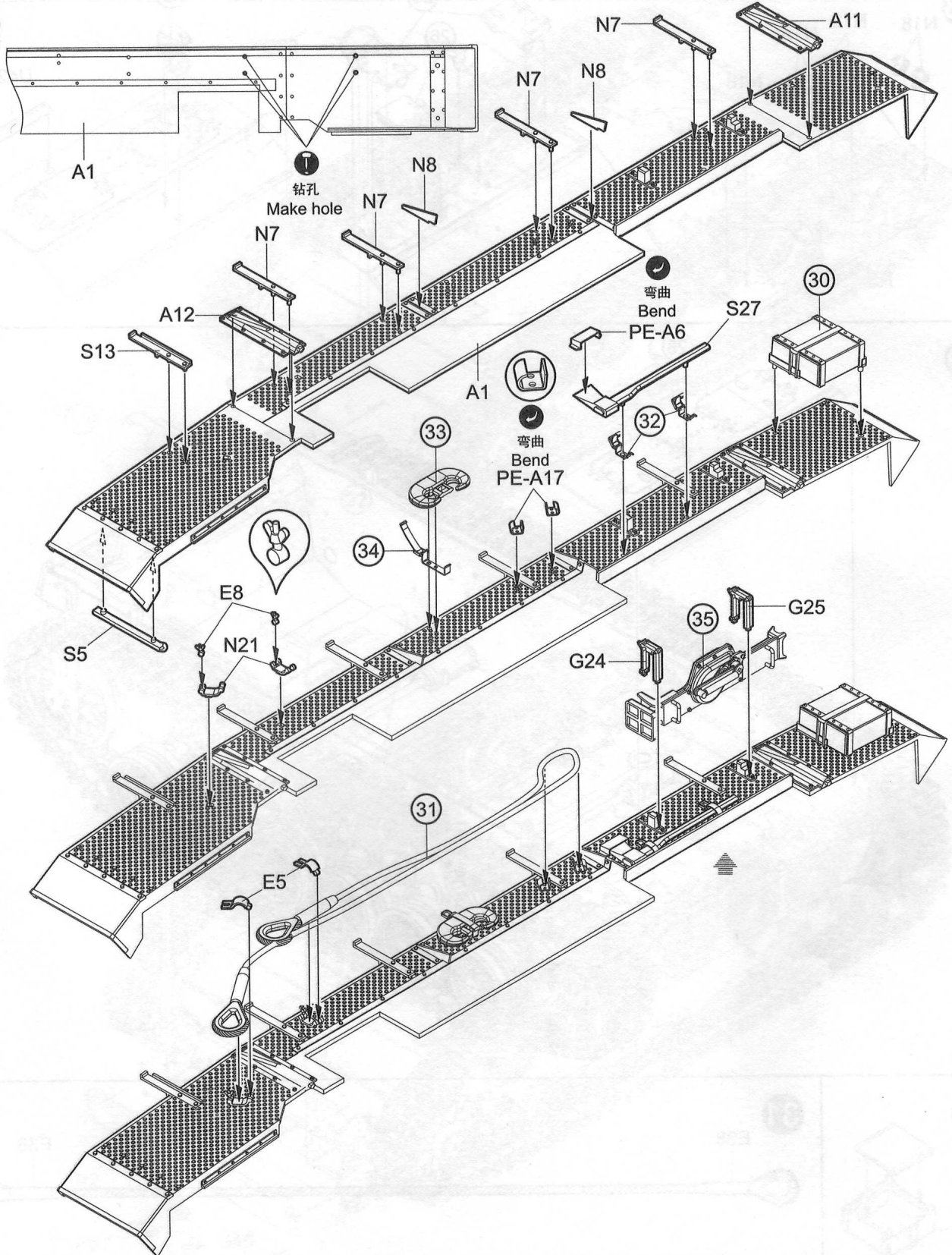
34



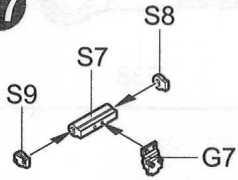
35



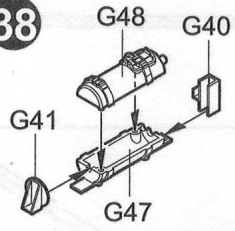
36



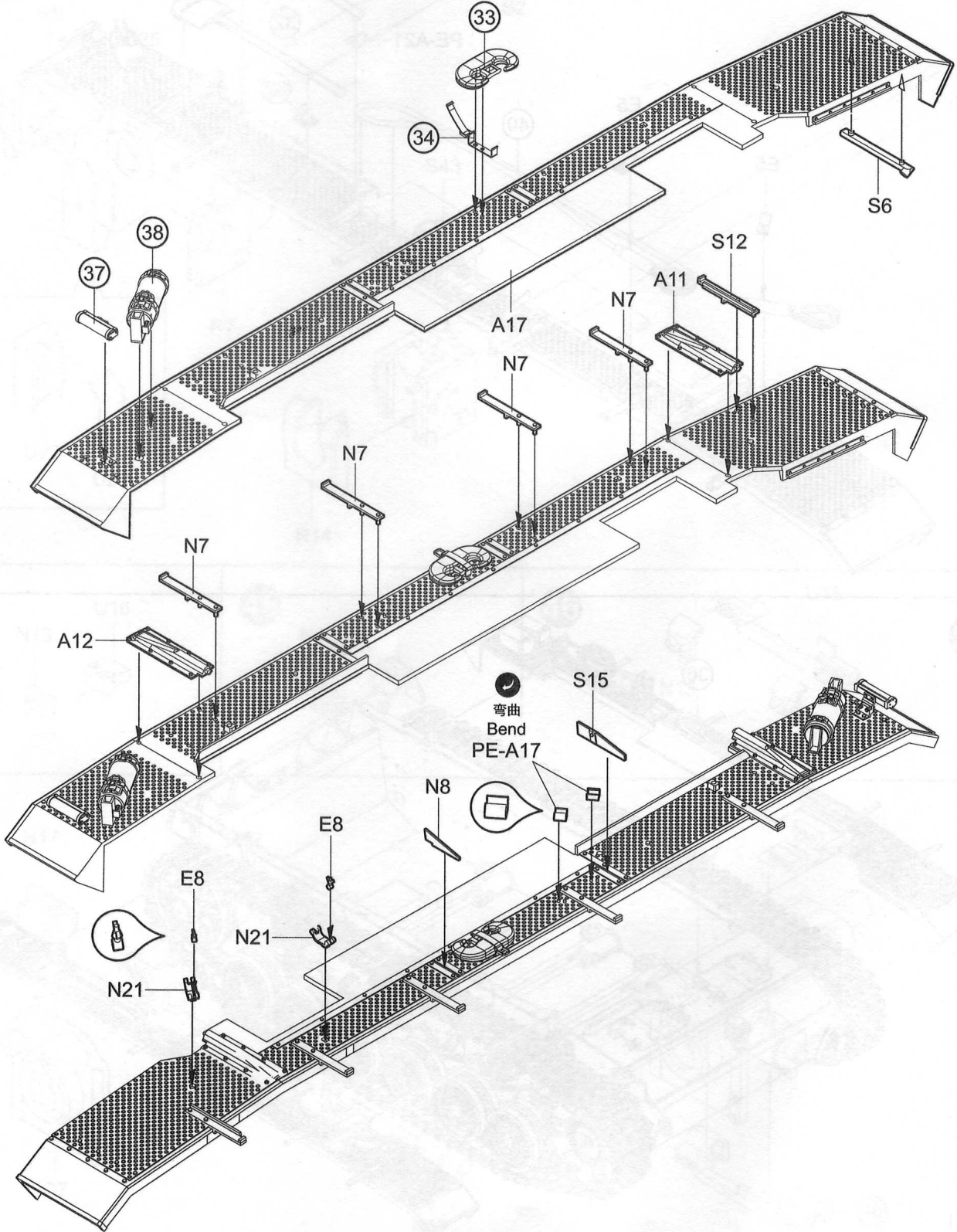
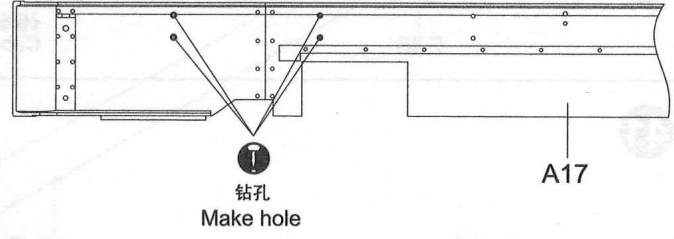
37



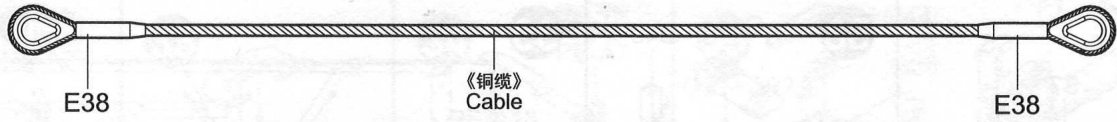
38



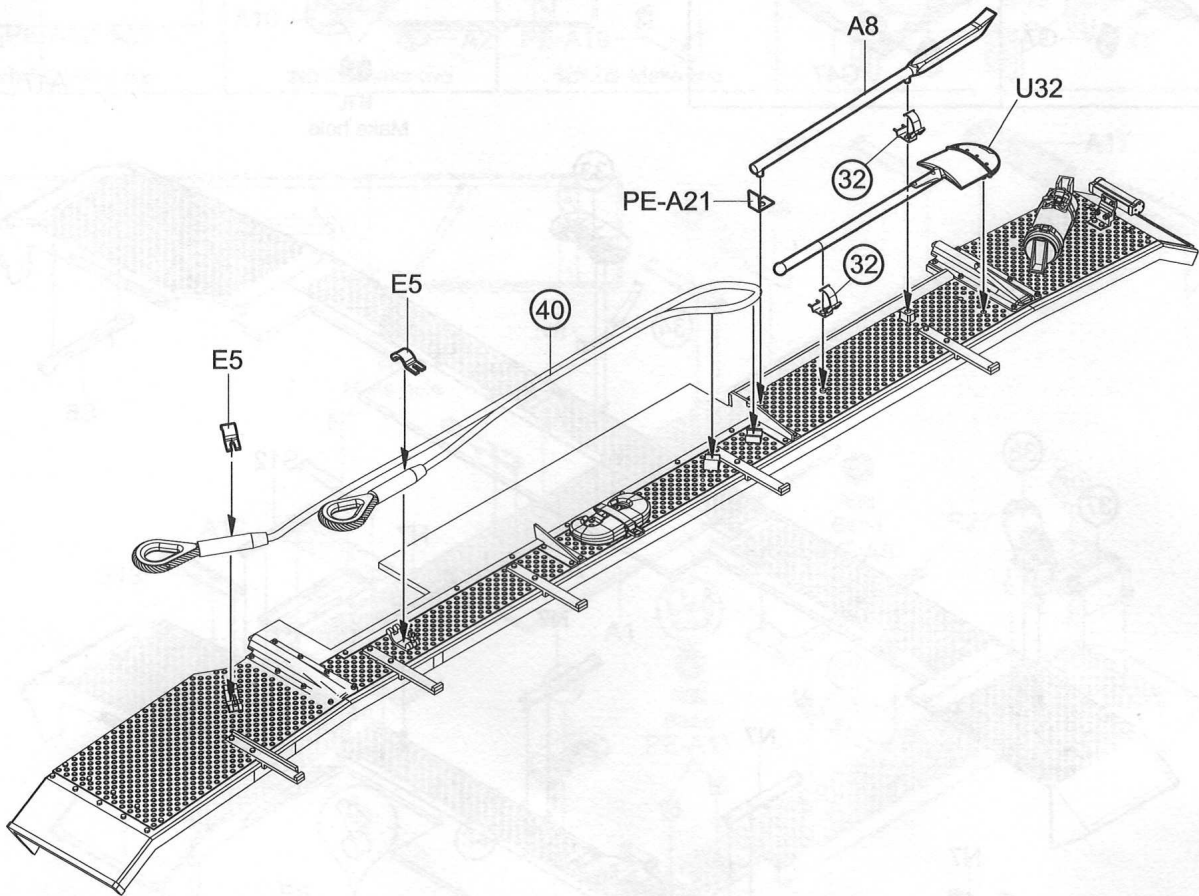
39



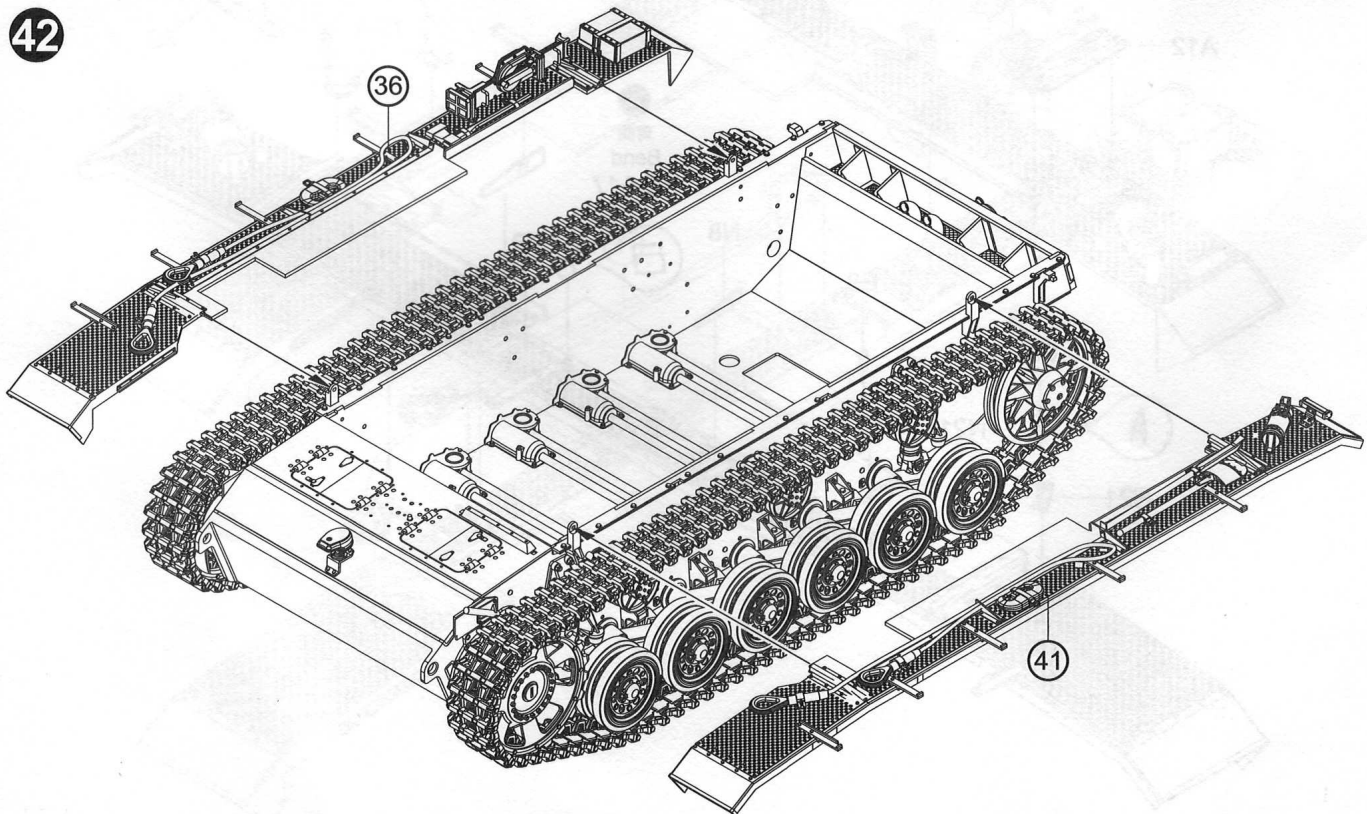
40



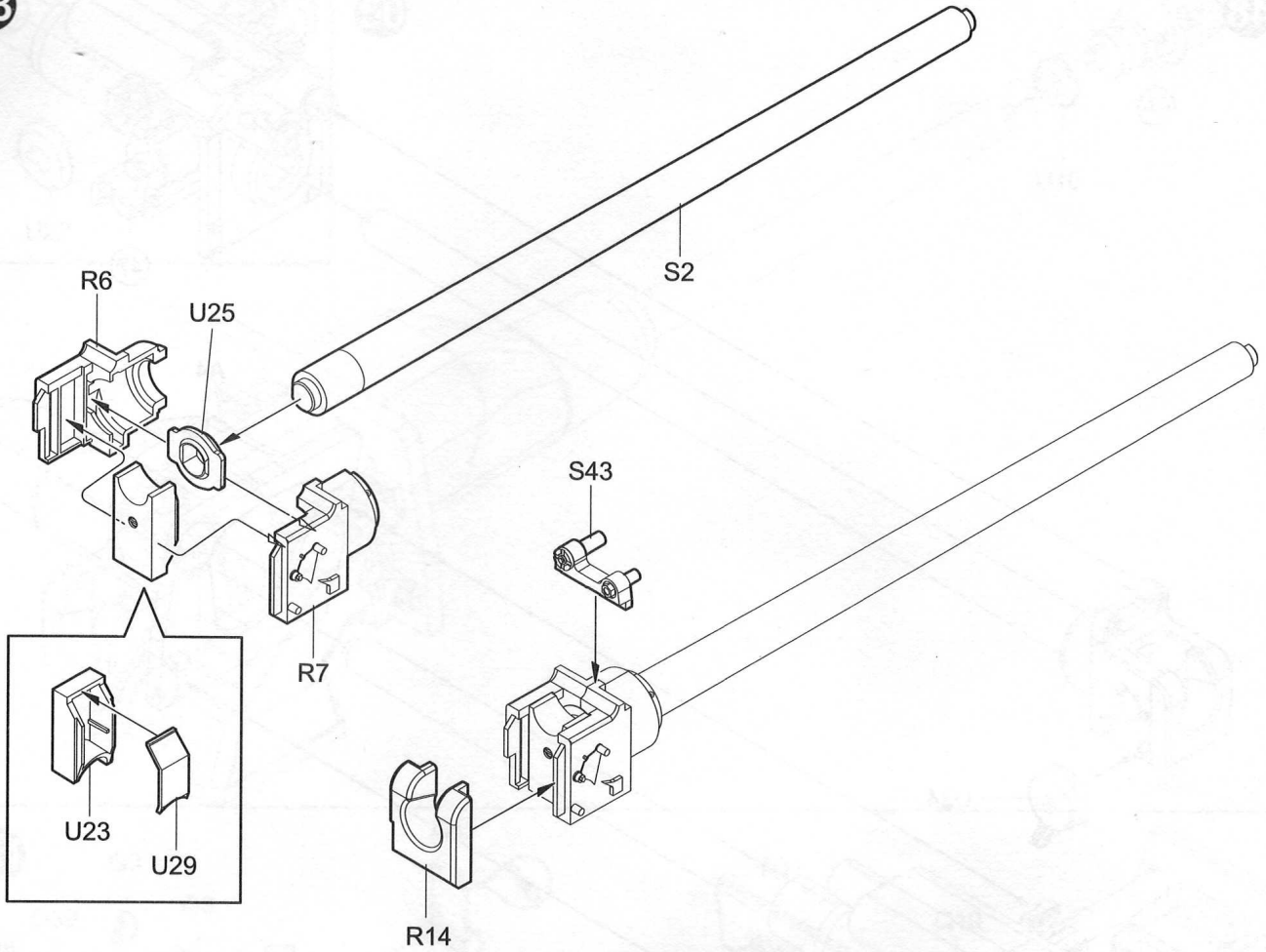
41



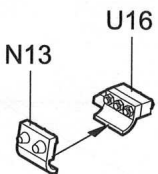
42



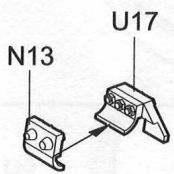
43



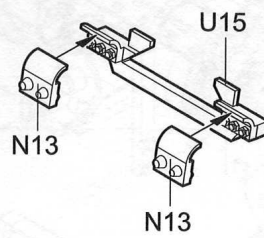
44



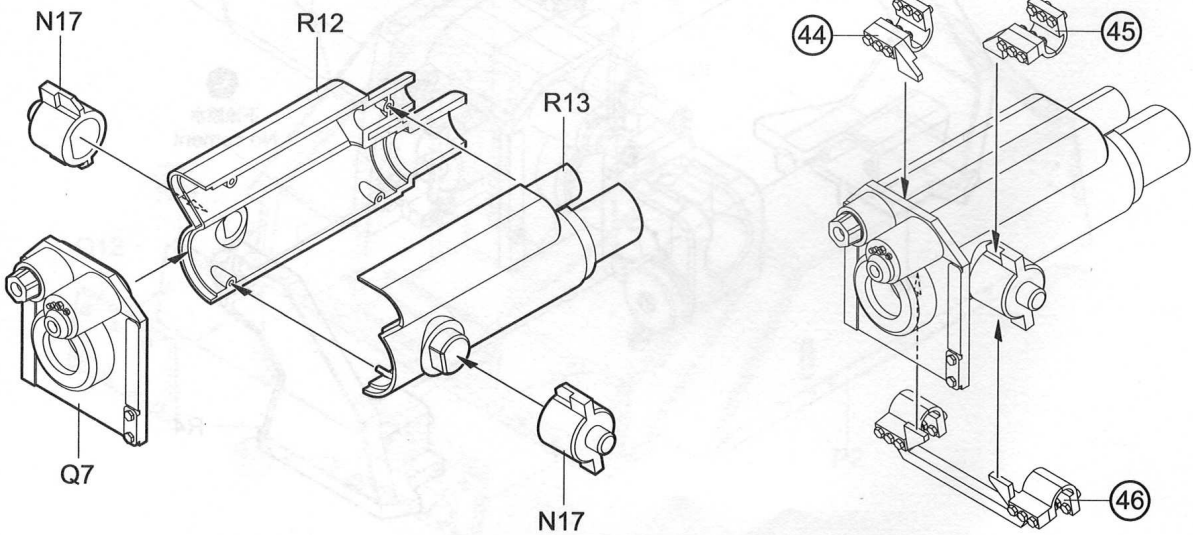
45



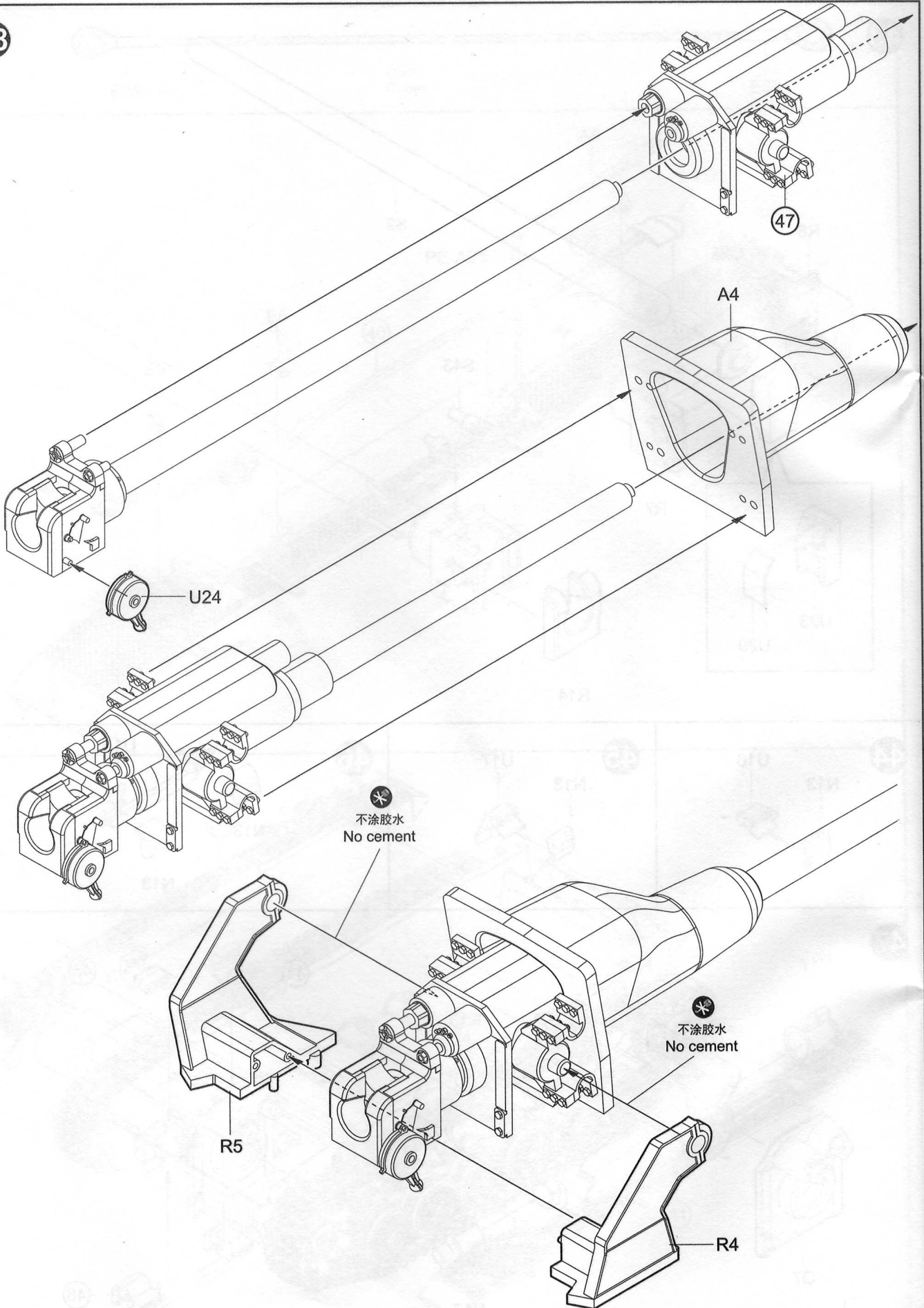
46

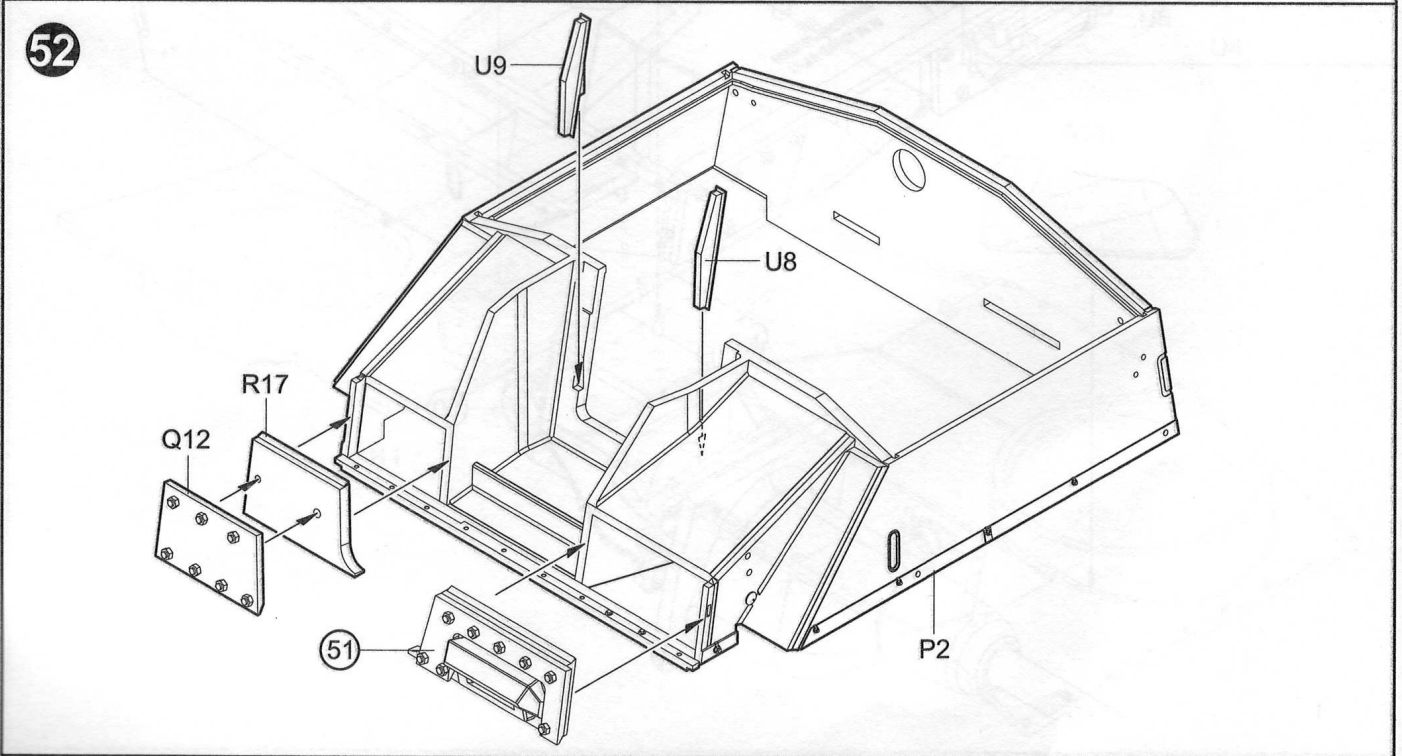
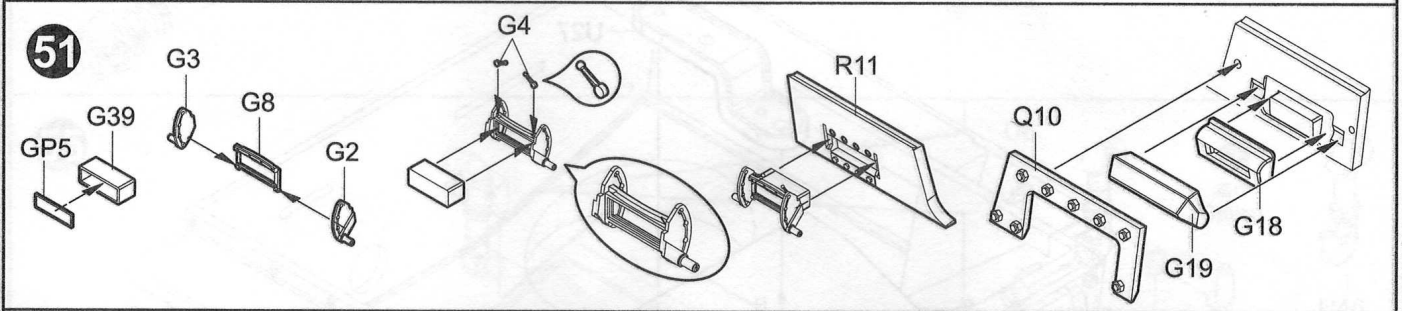
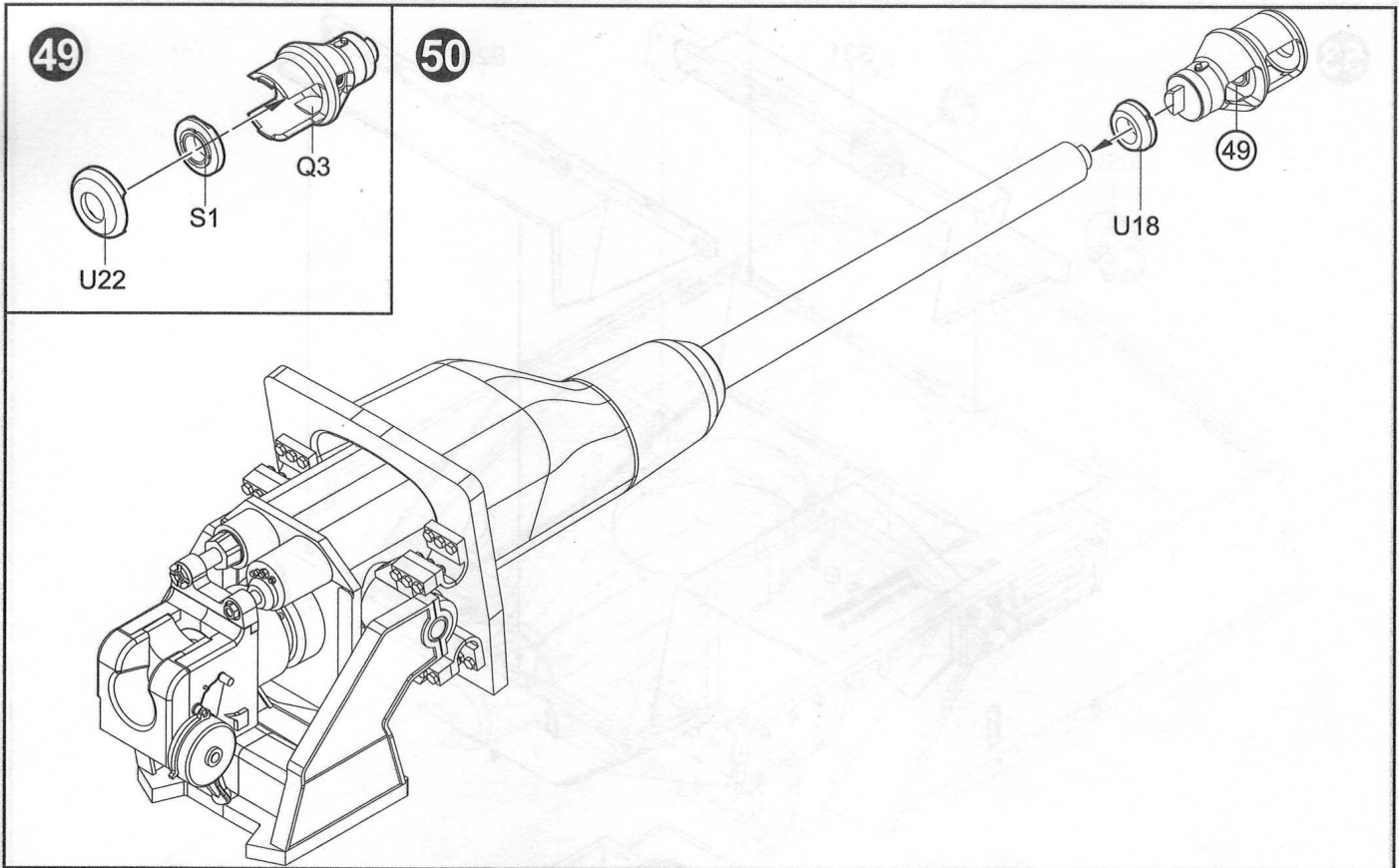


47

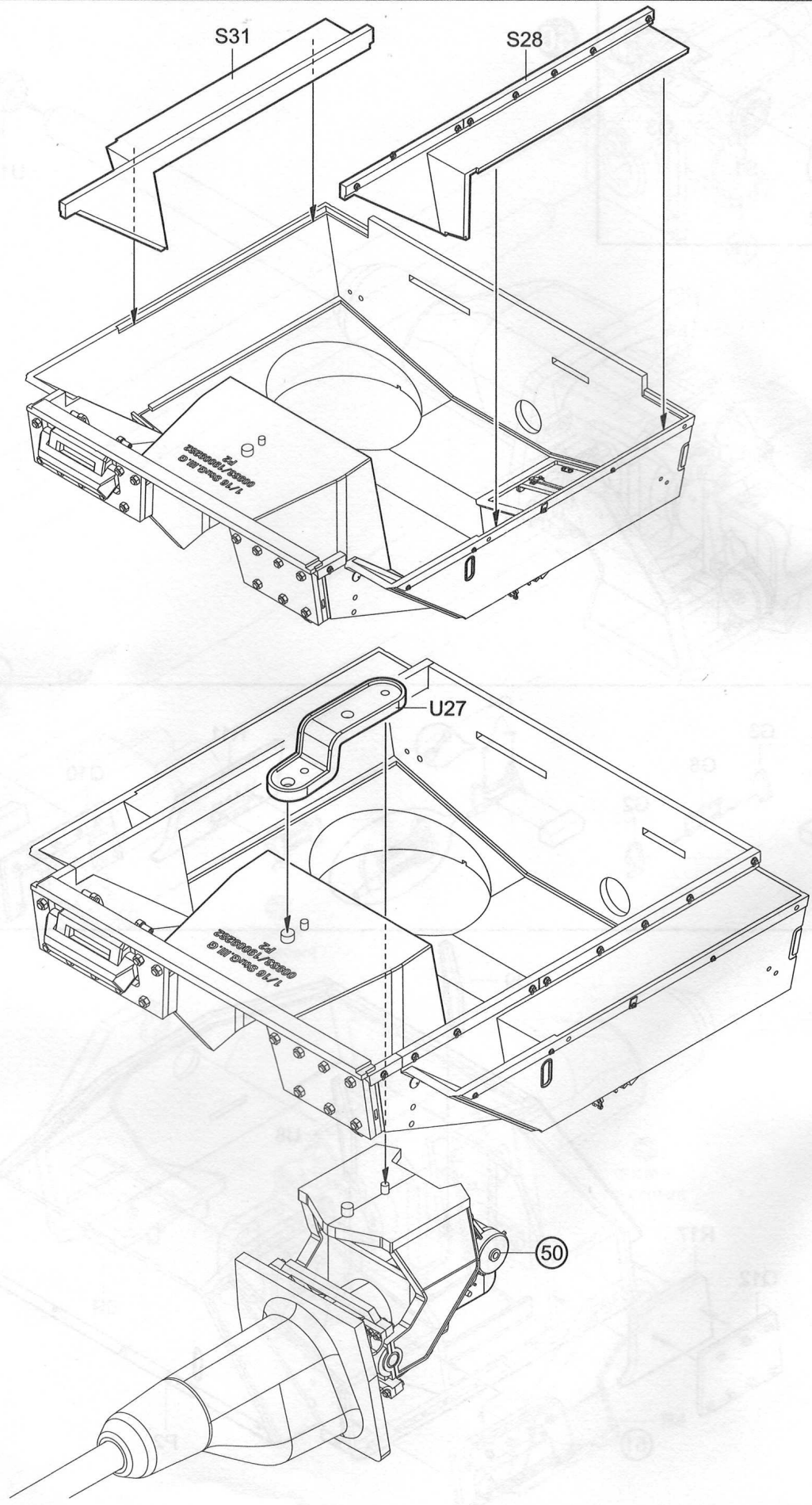


48

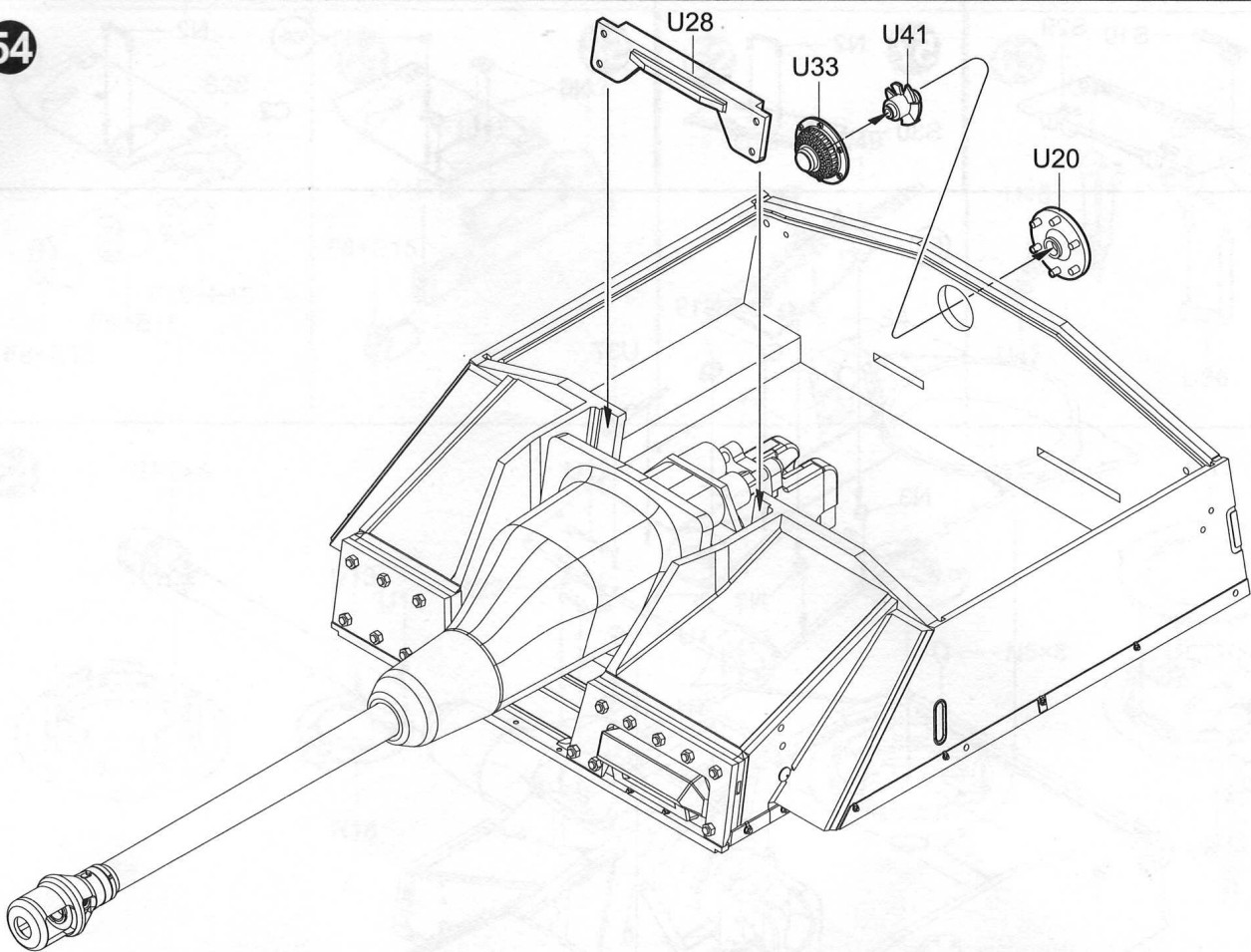




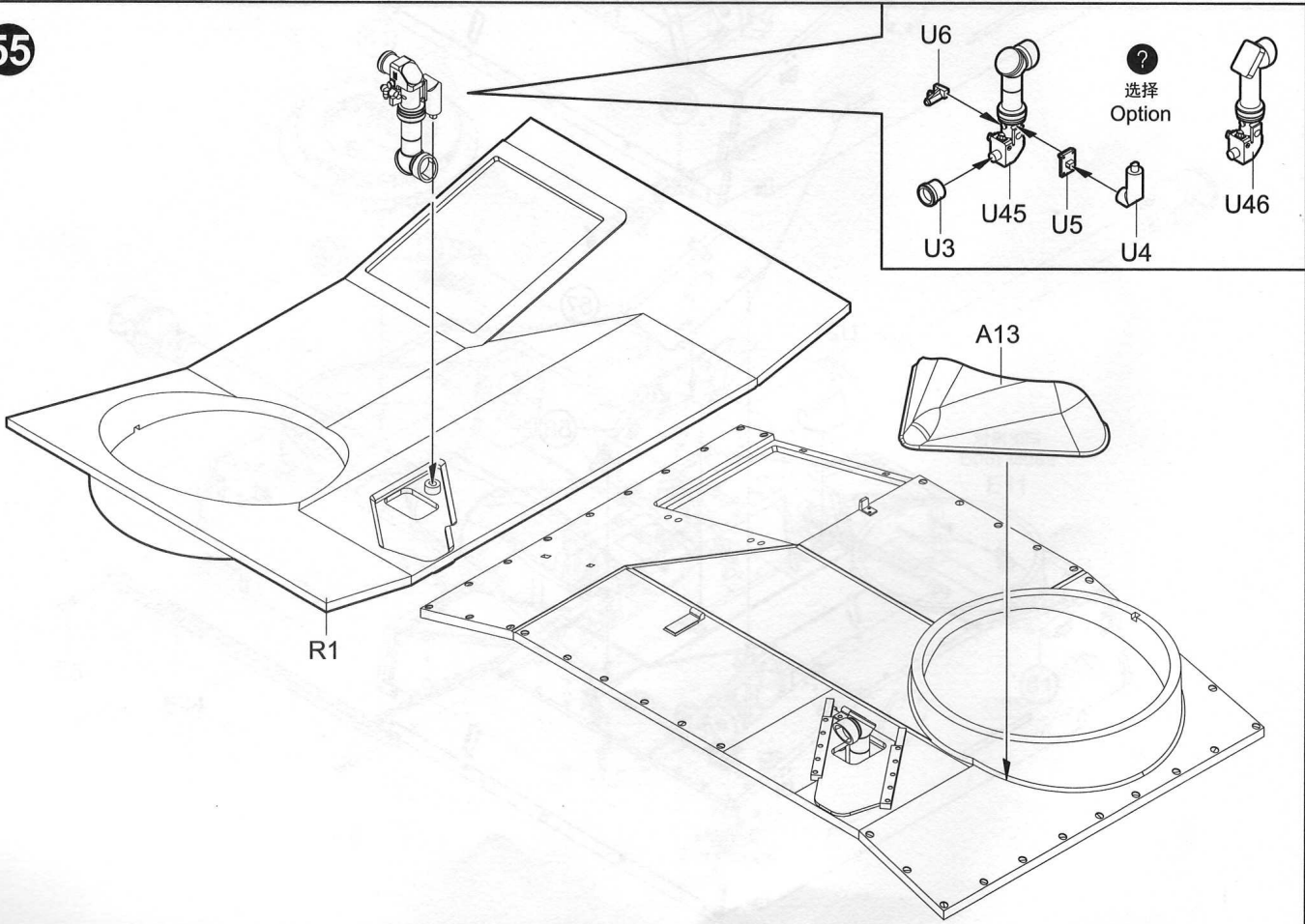
53



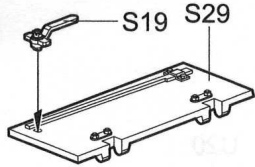
54



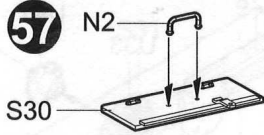
55



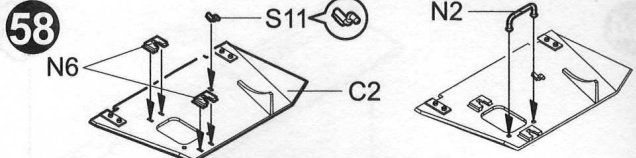
56



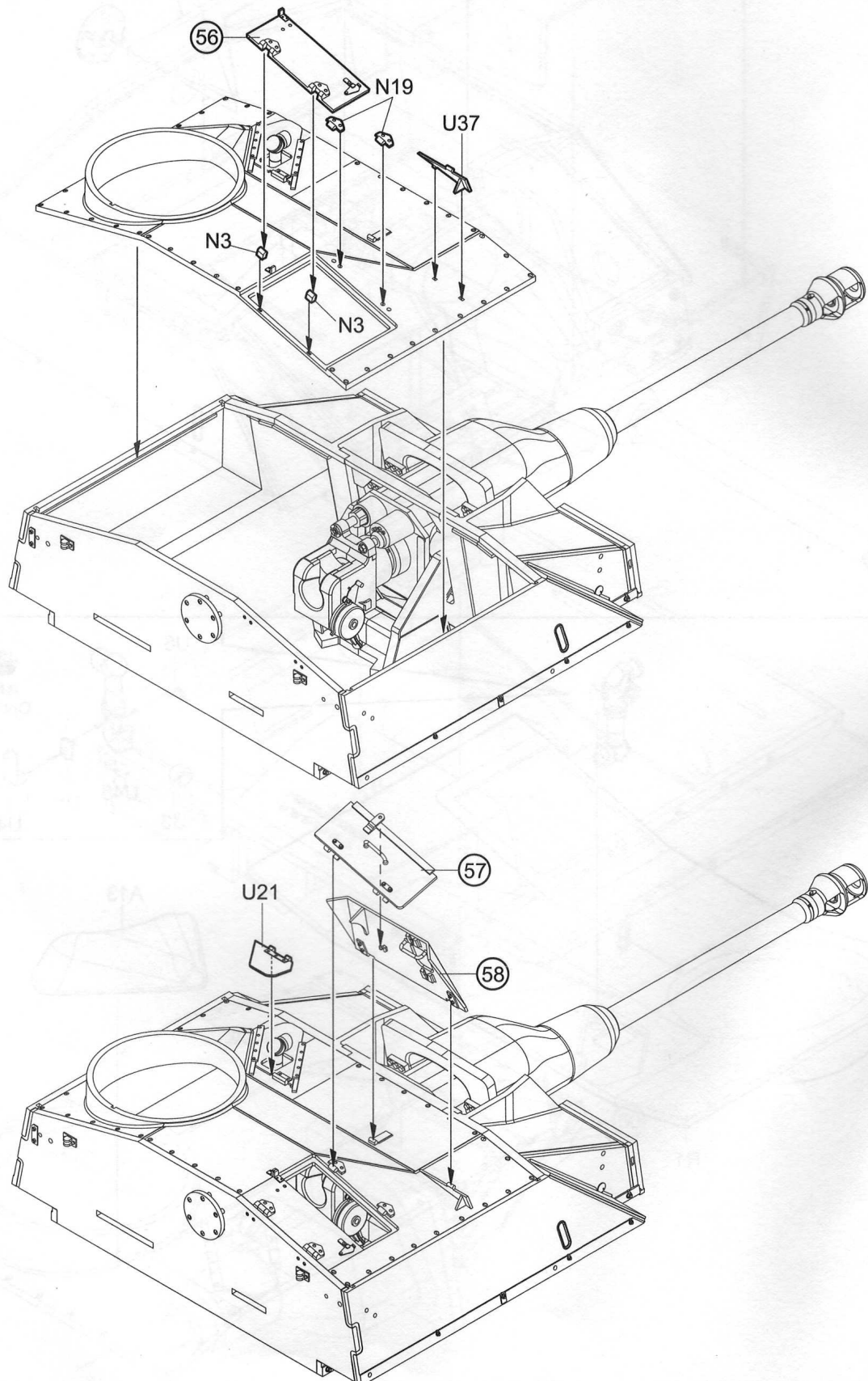
57



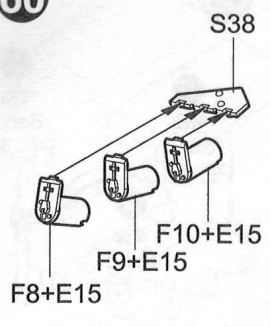
58



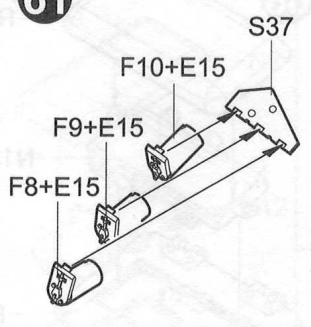
59



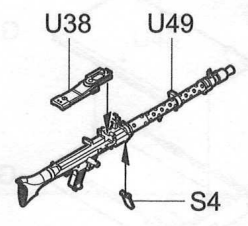
60



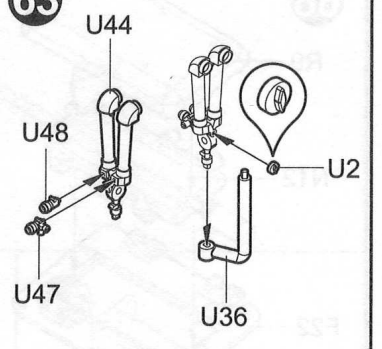
61



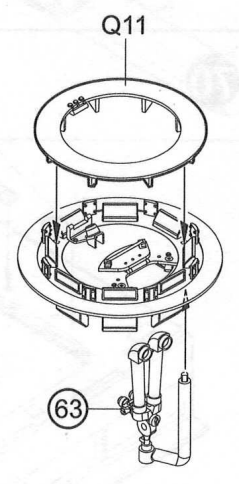
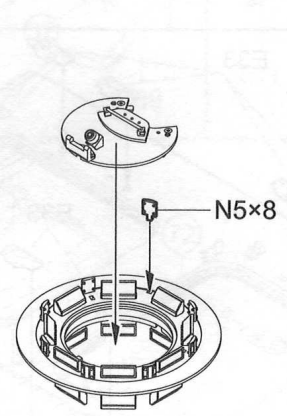
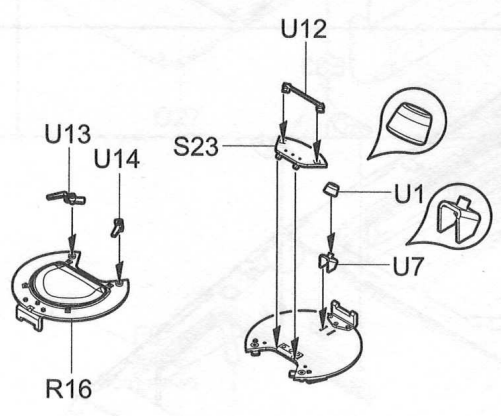
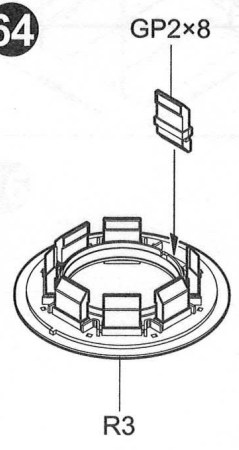
62



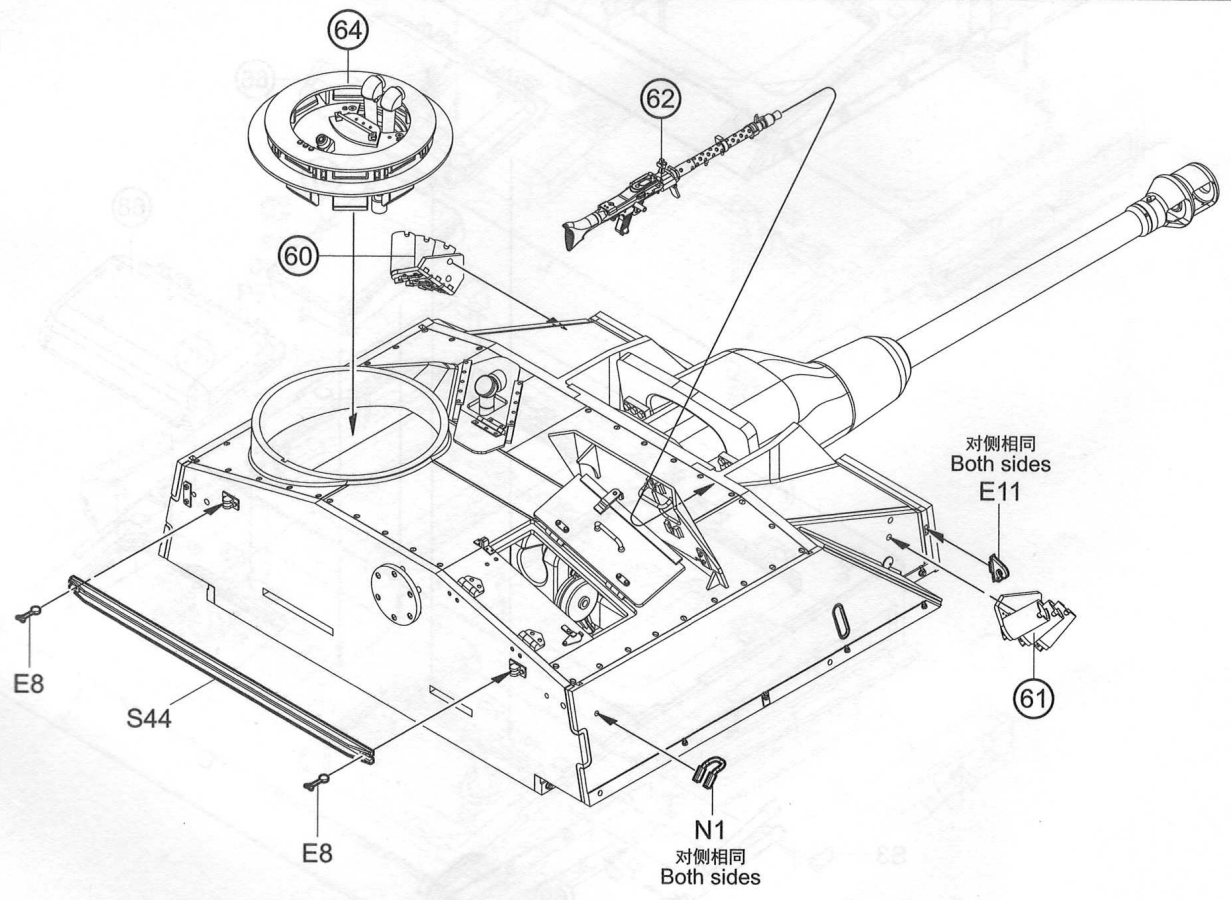
63

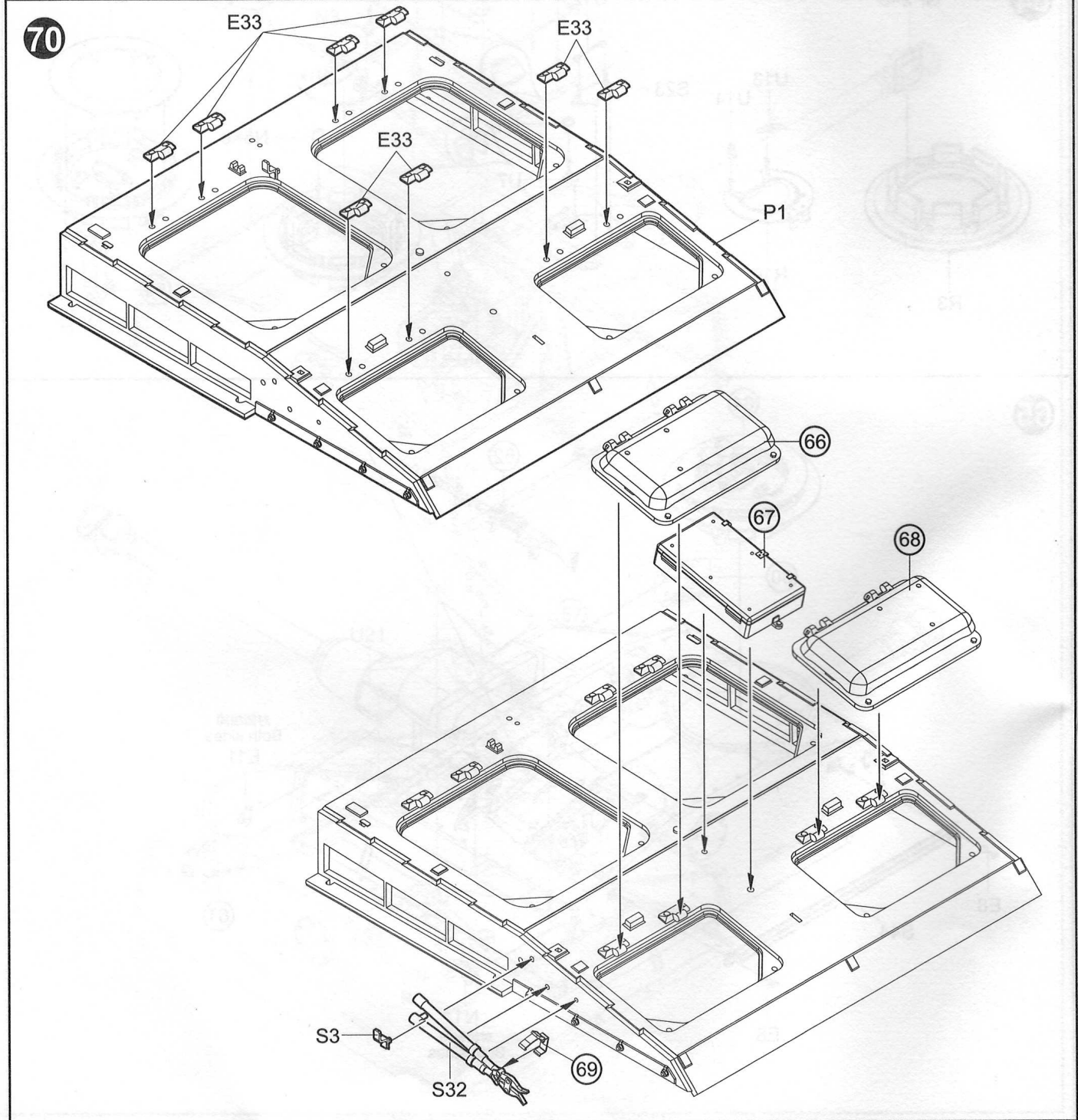
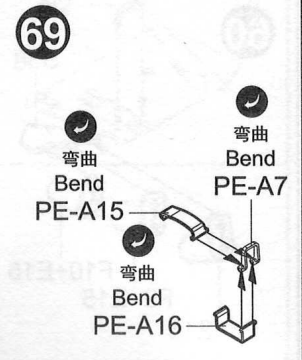
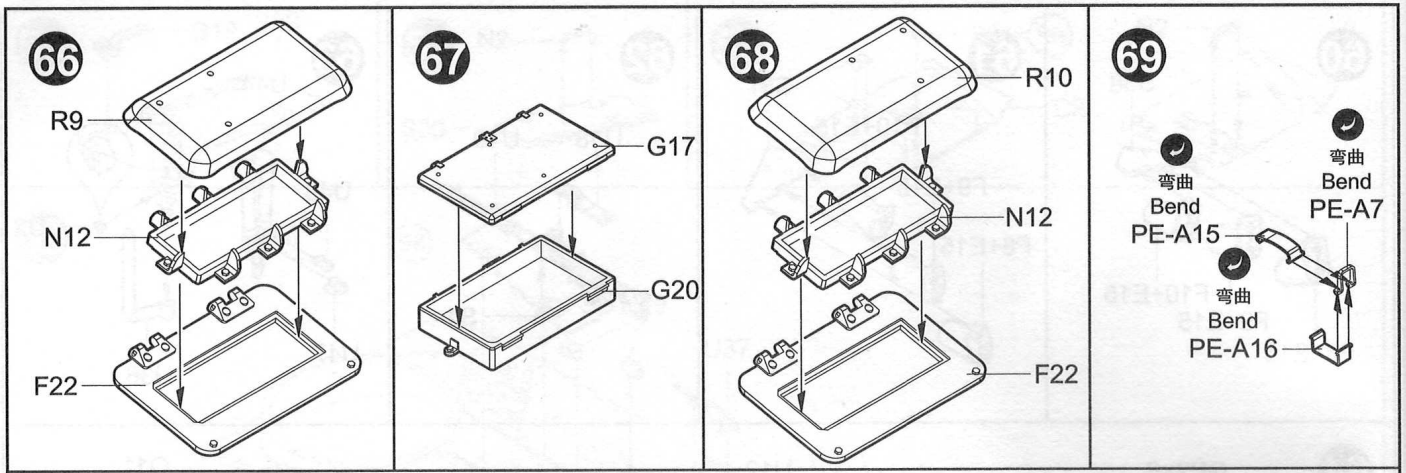


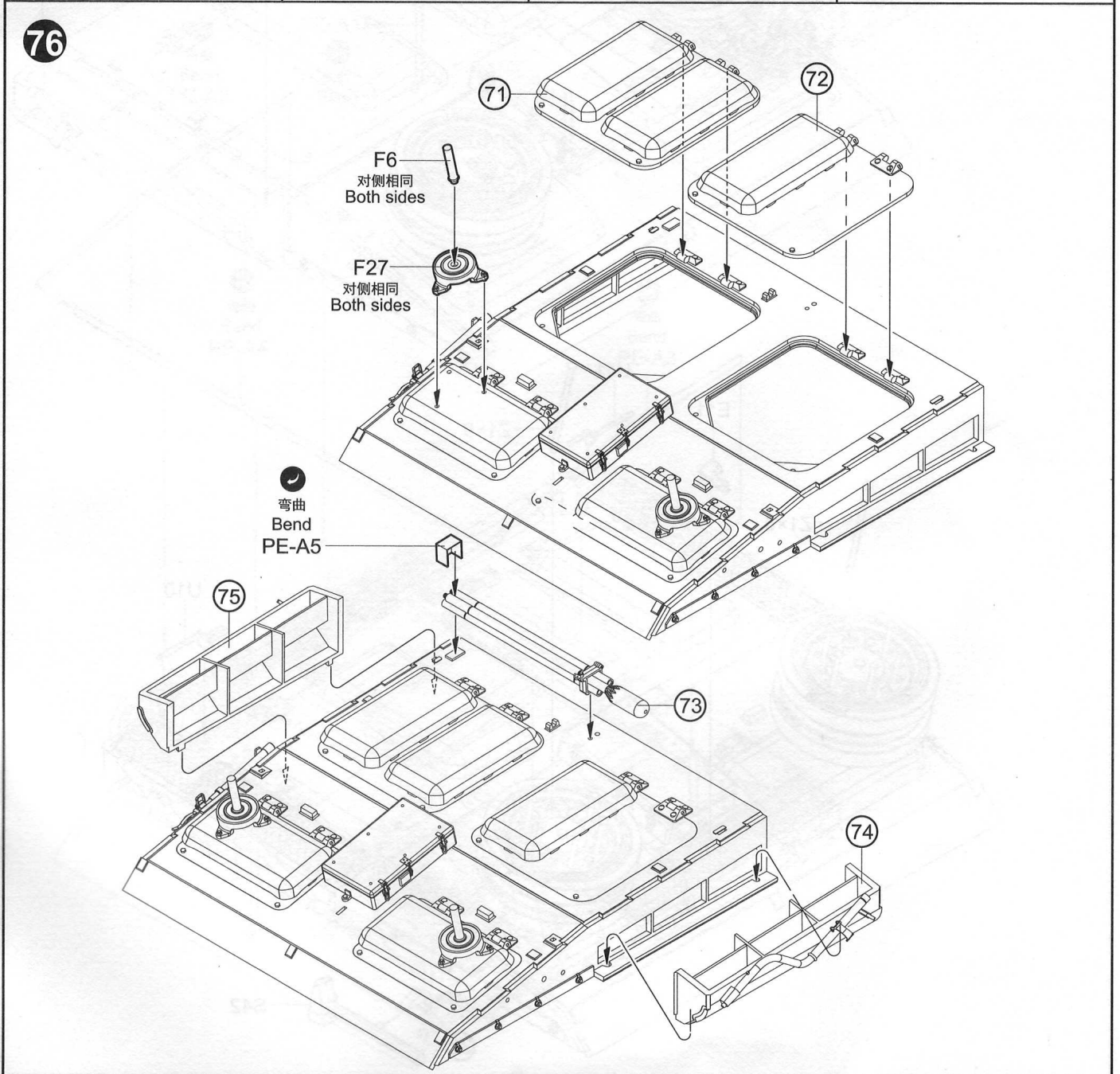
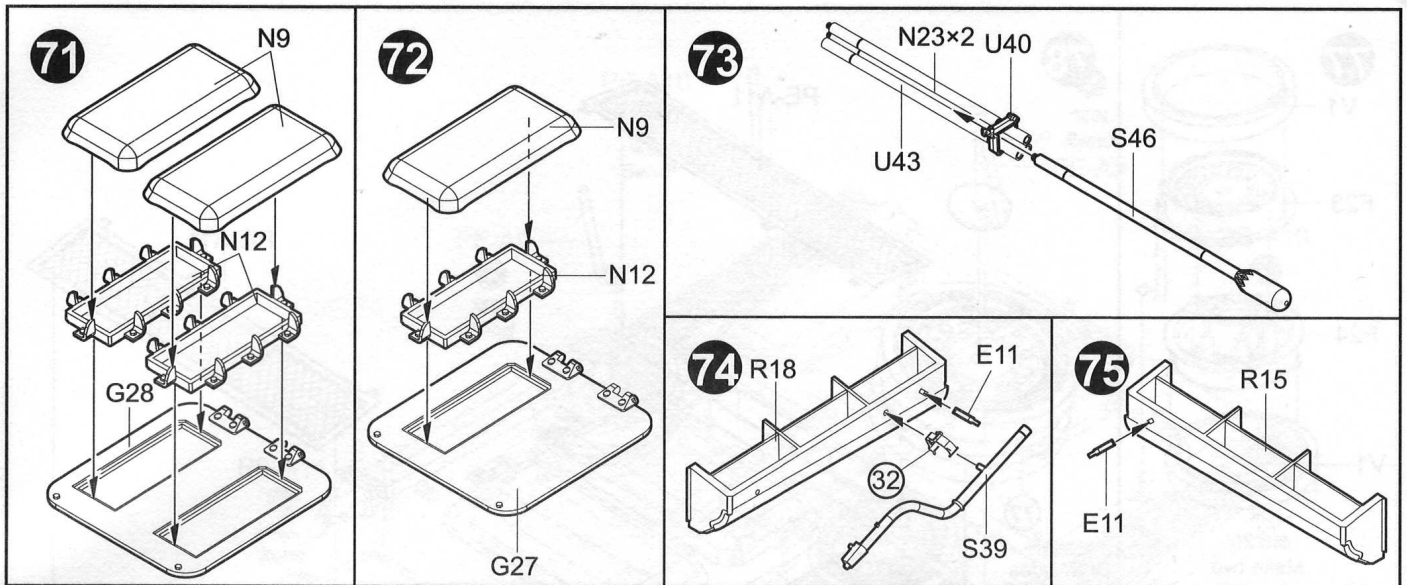
64



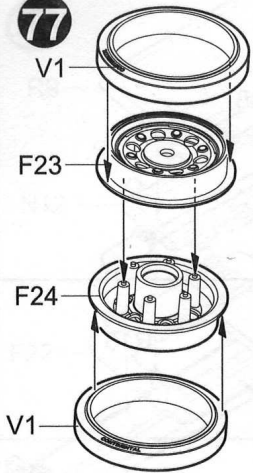
65





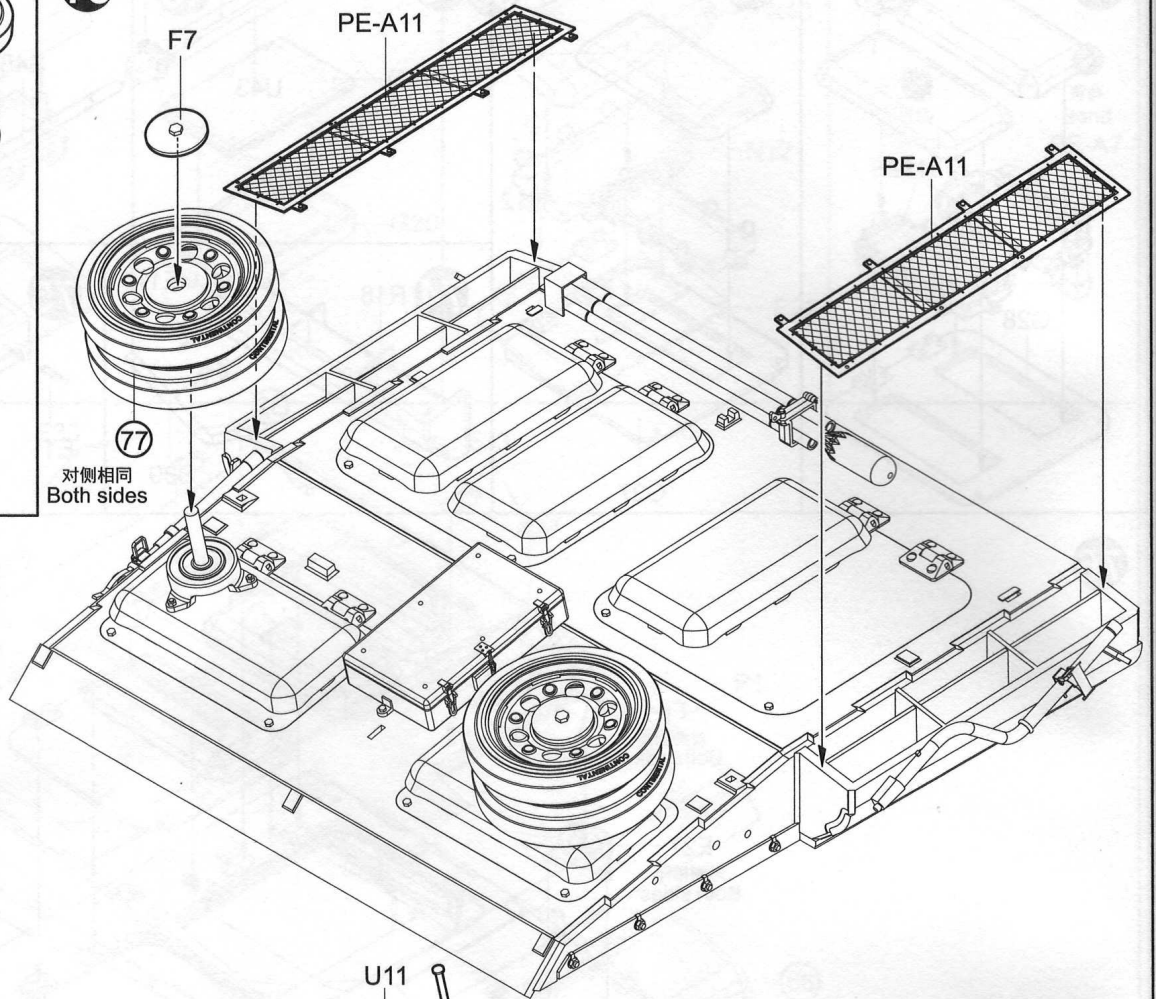


77

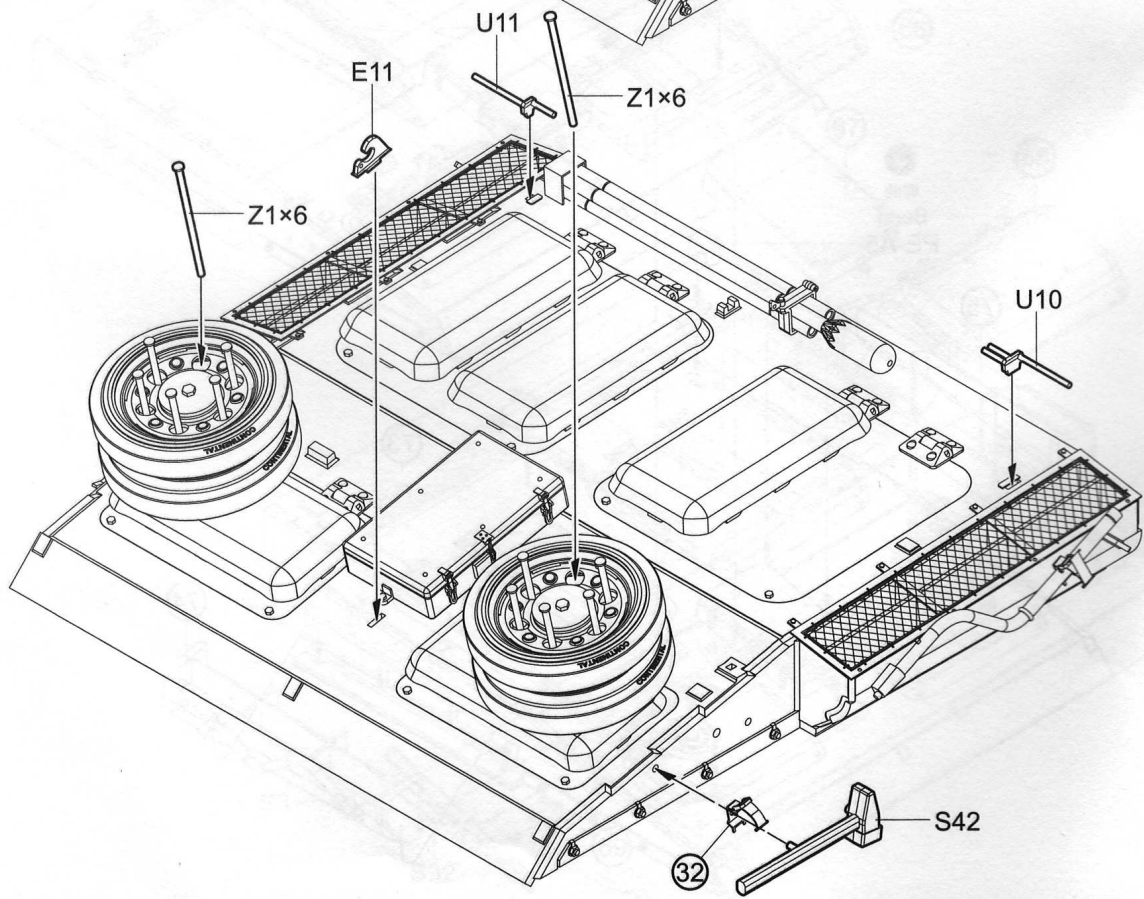


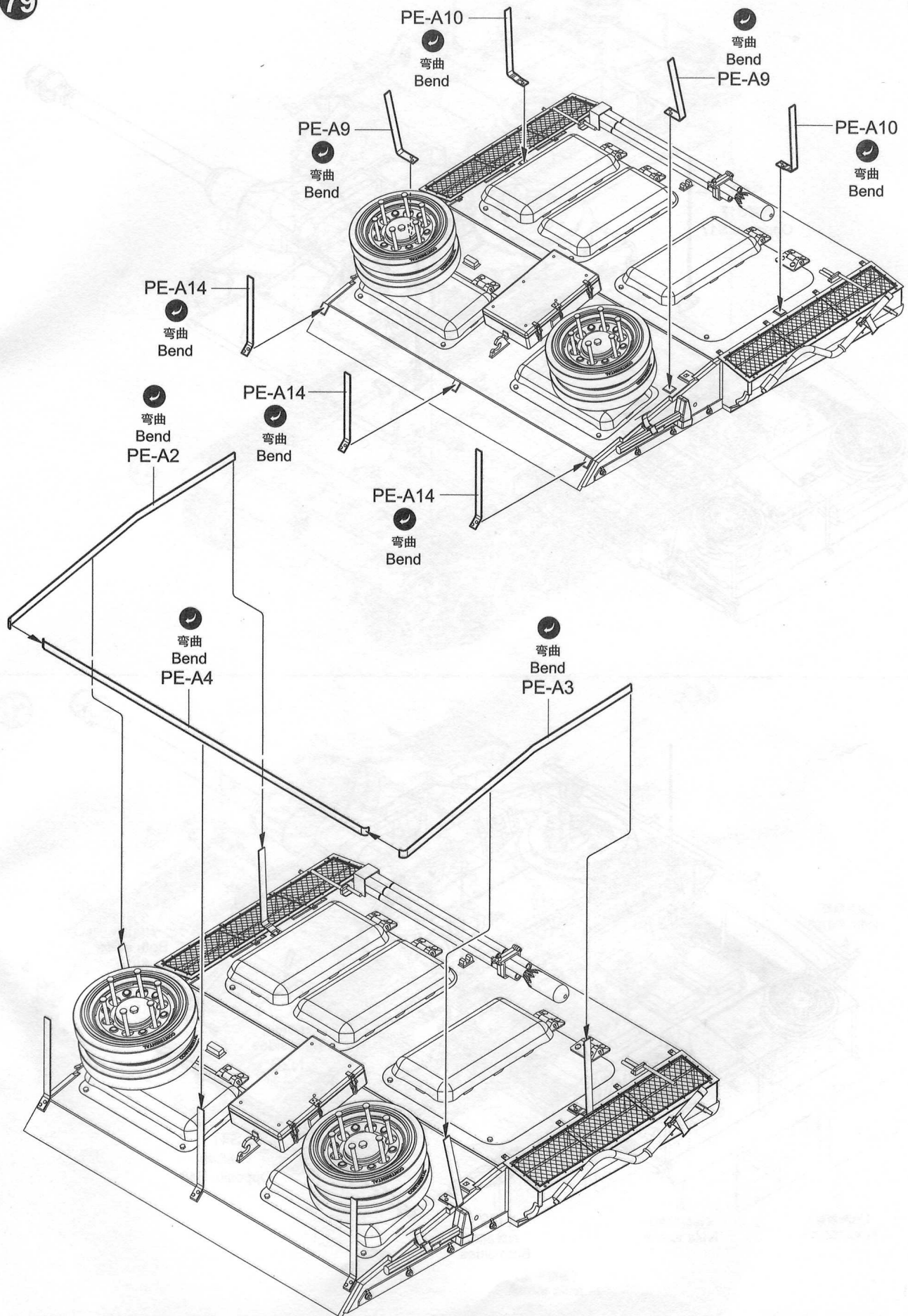
制作2组
Make two

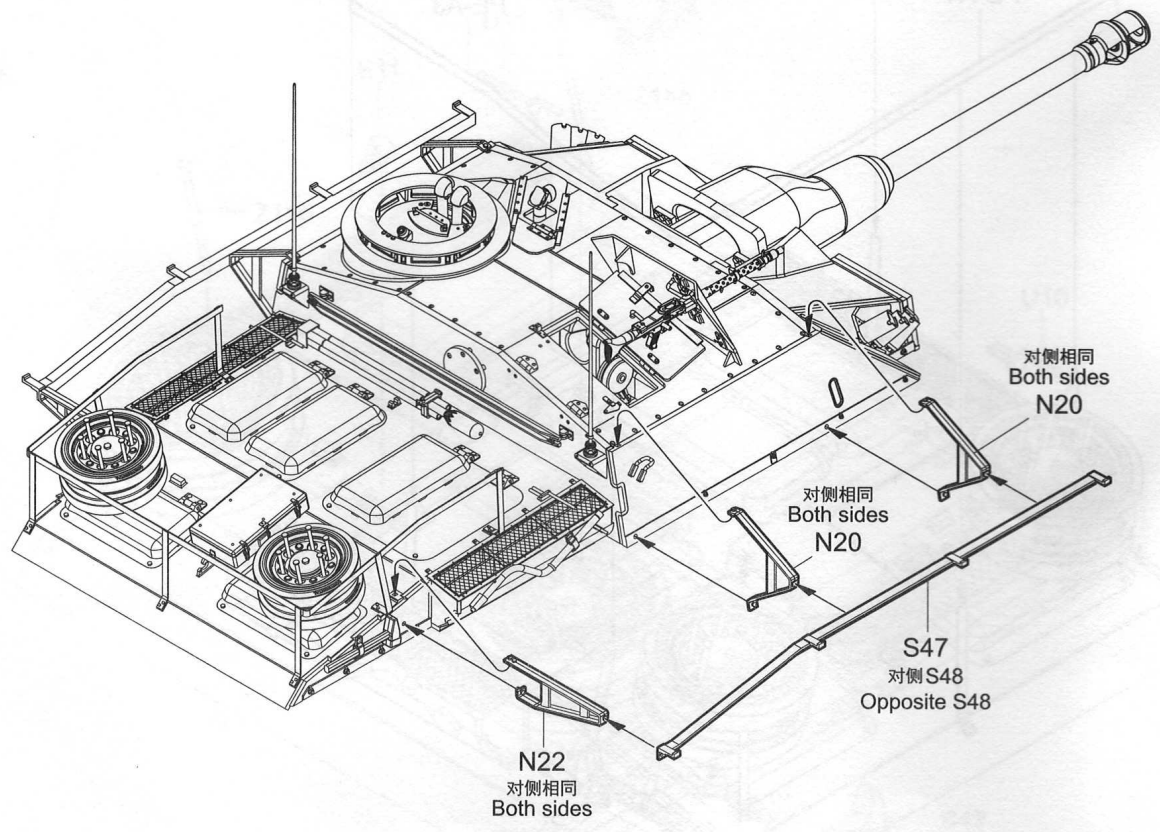
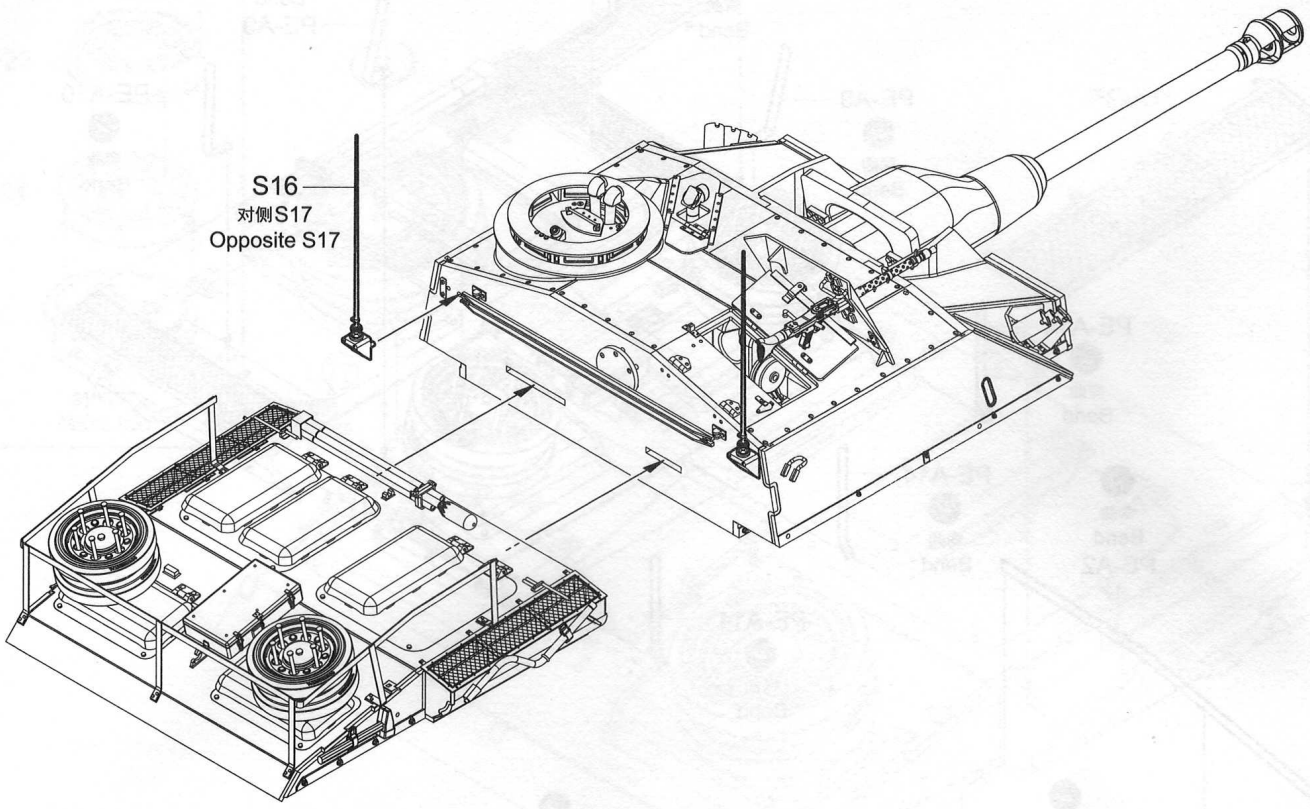
78



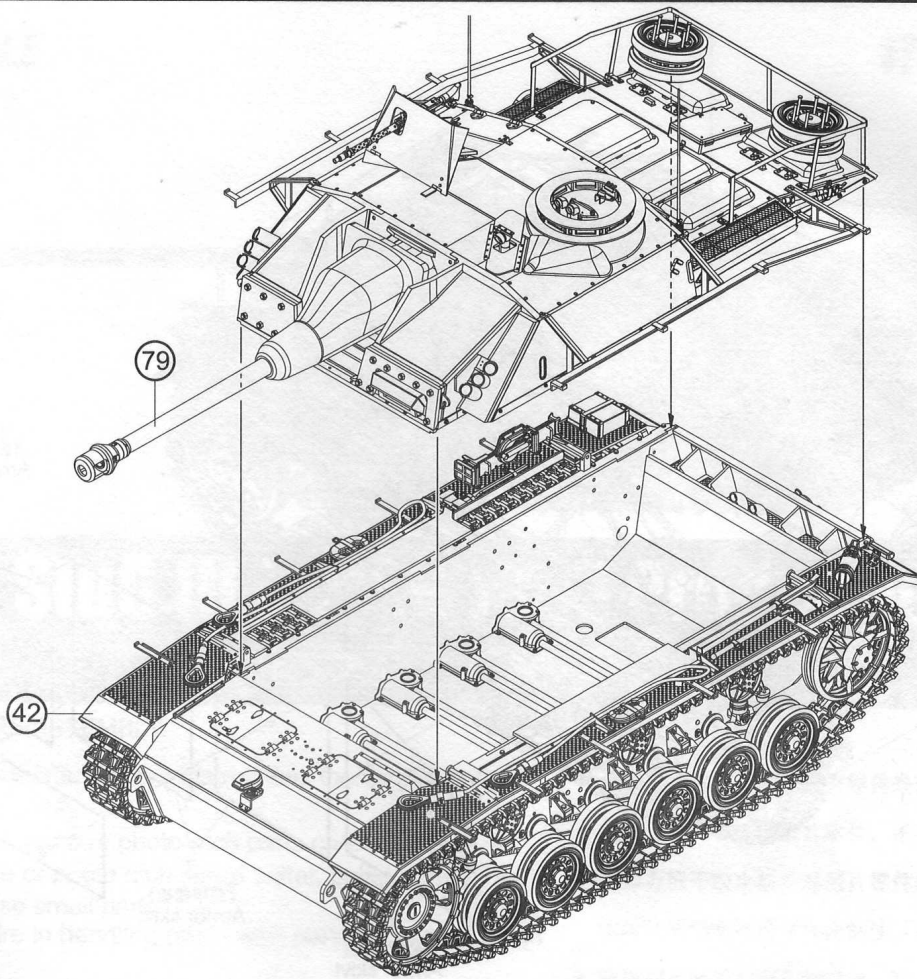
对侧相同
Both sides



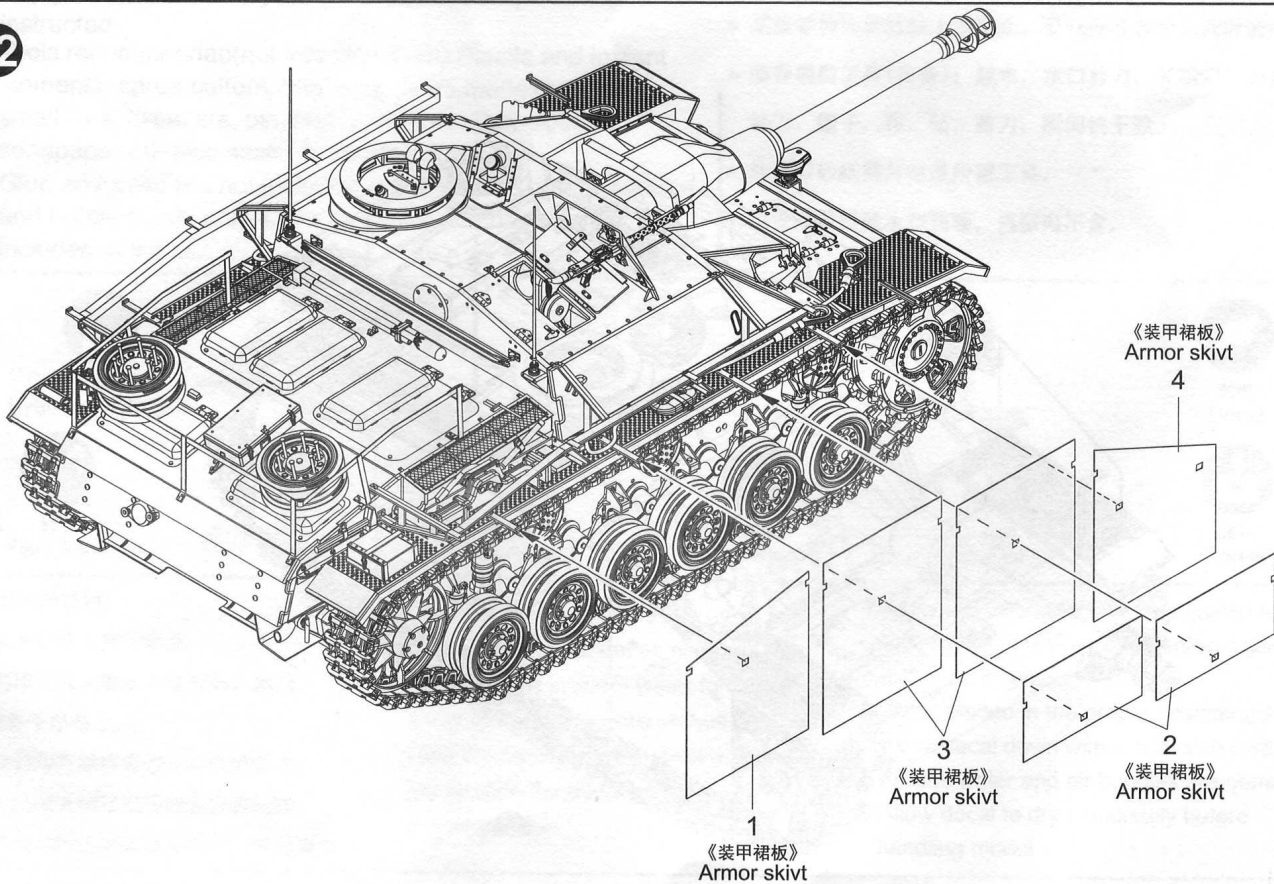


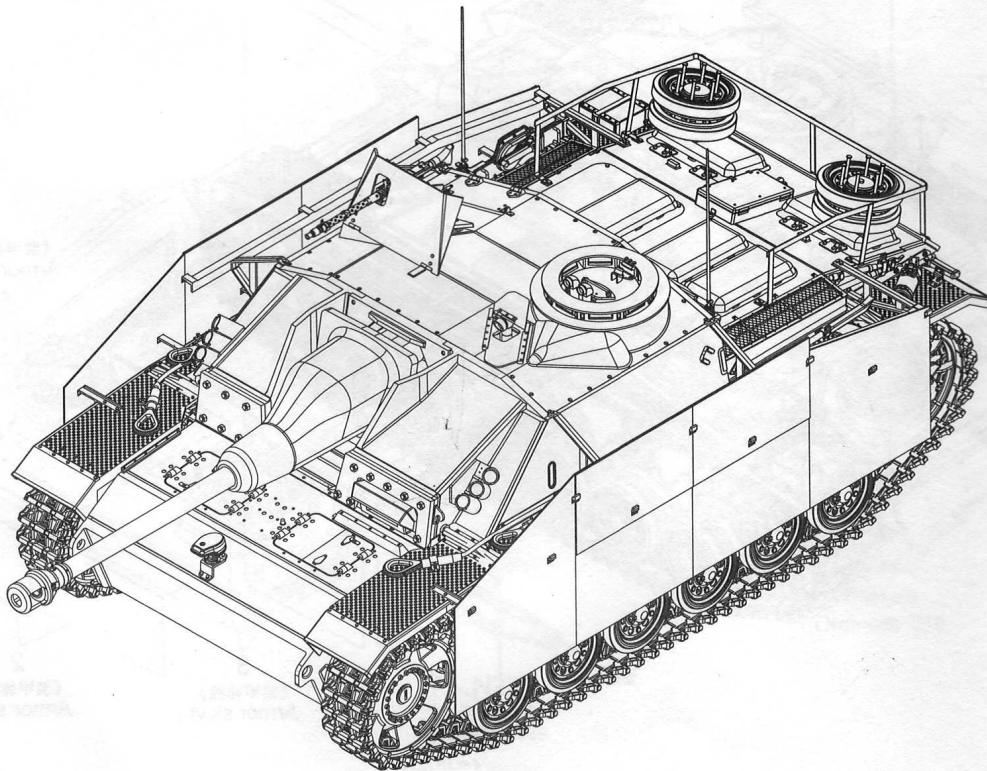
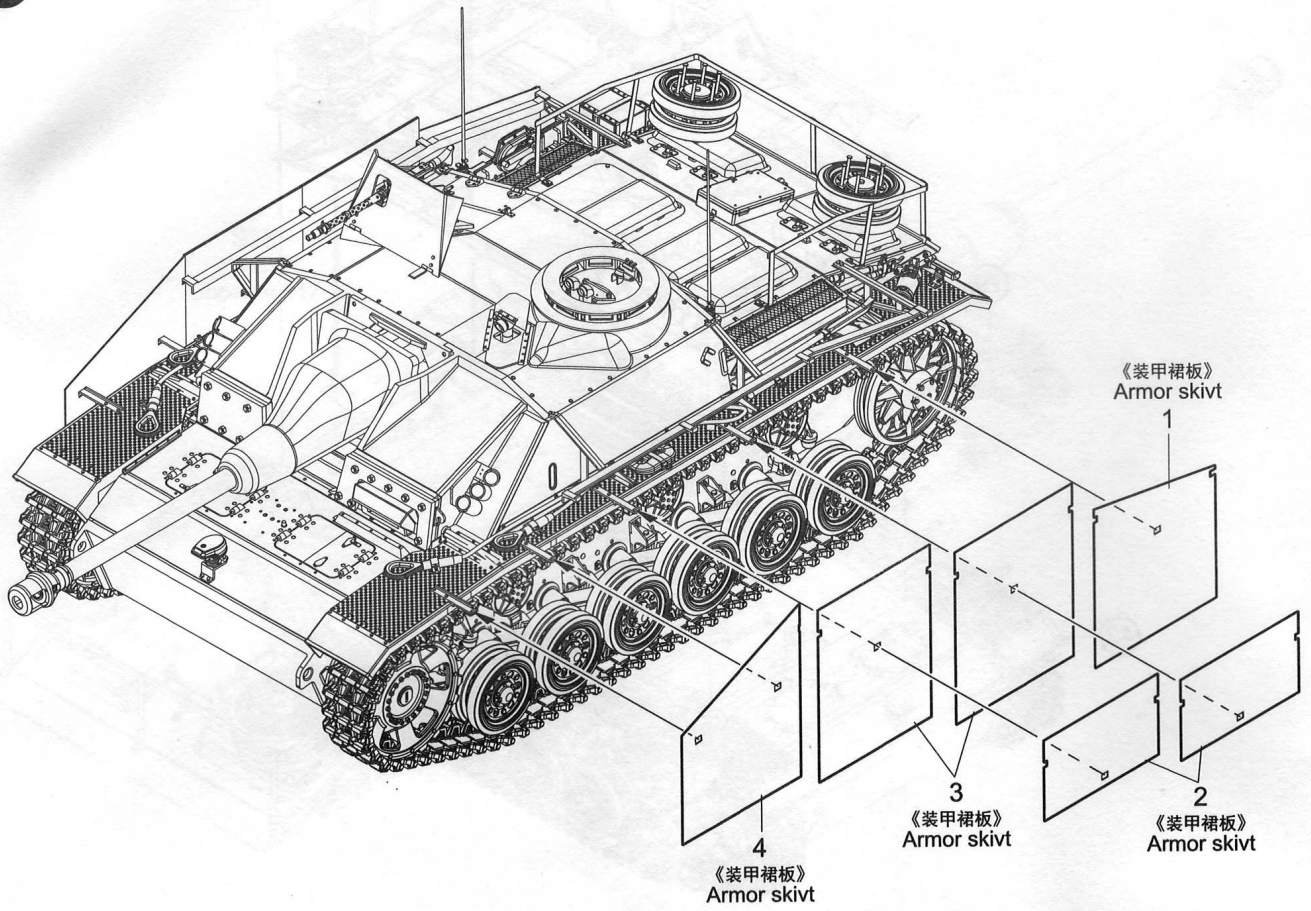


81



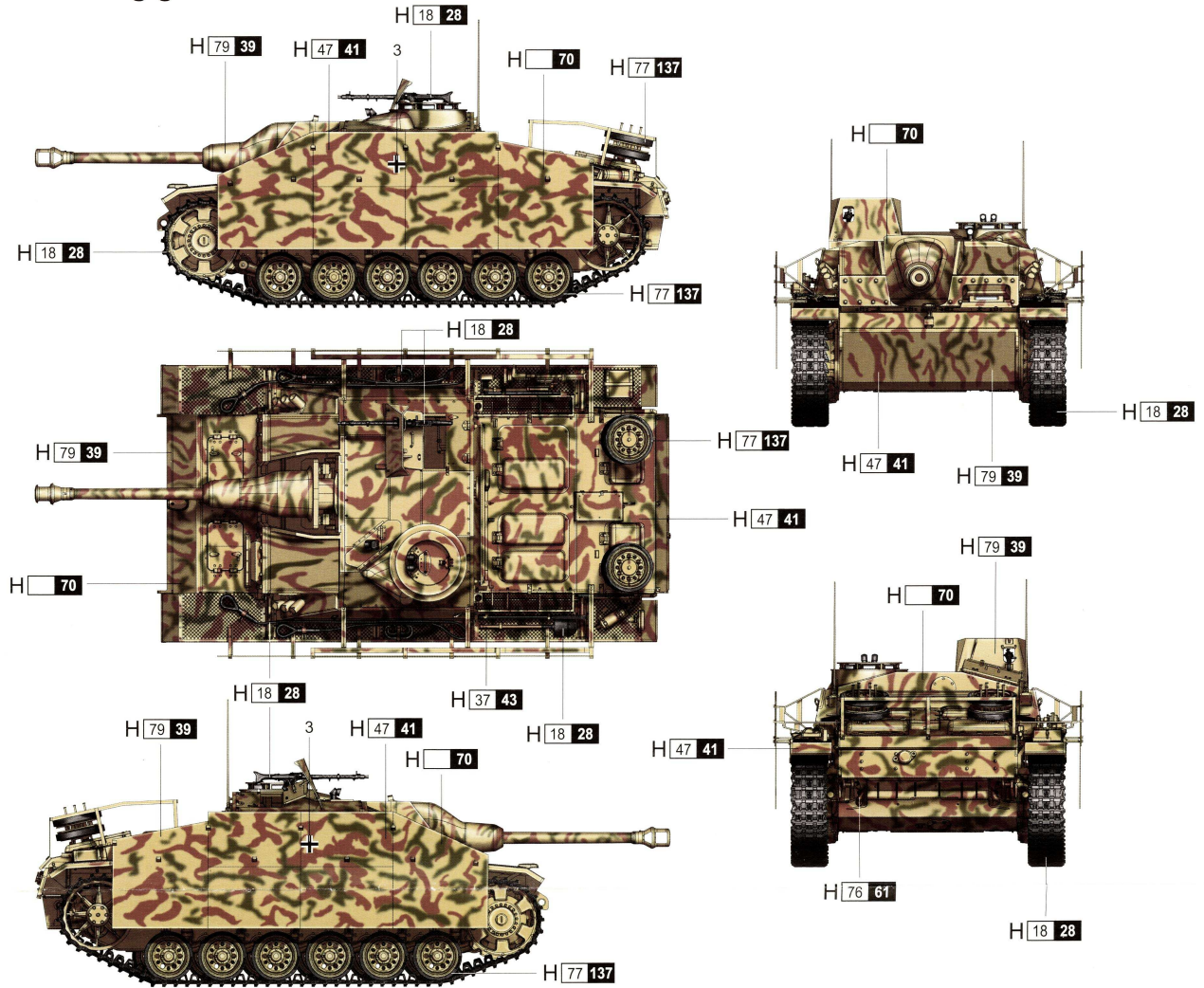
82



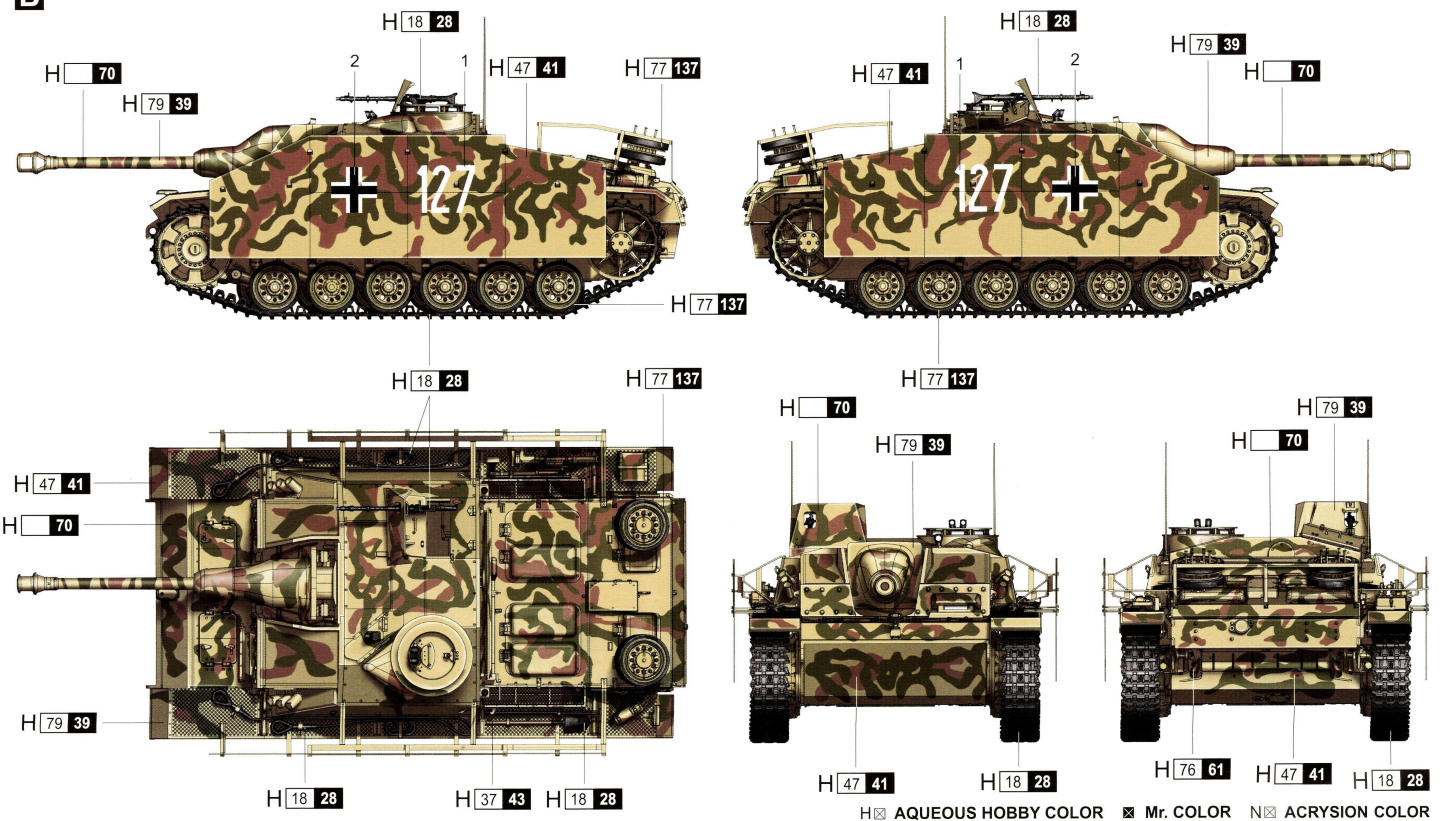


涂装同标贴指示 Painting & Marking guide

A



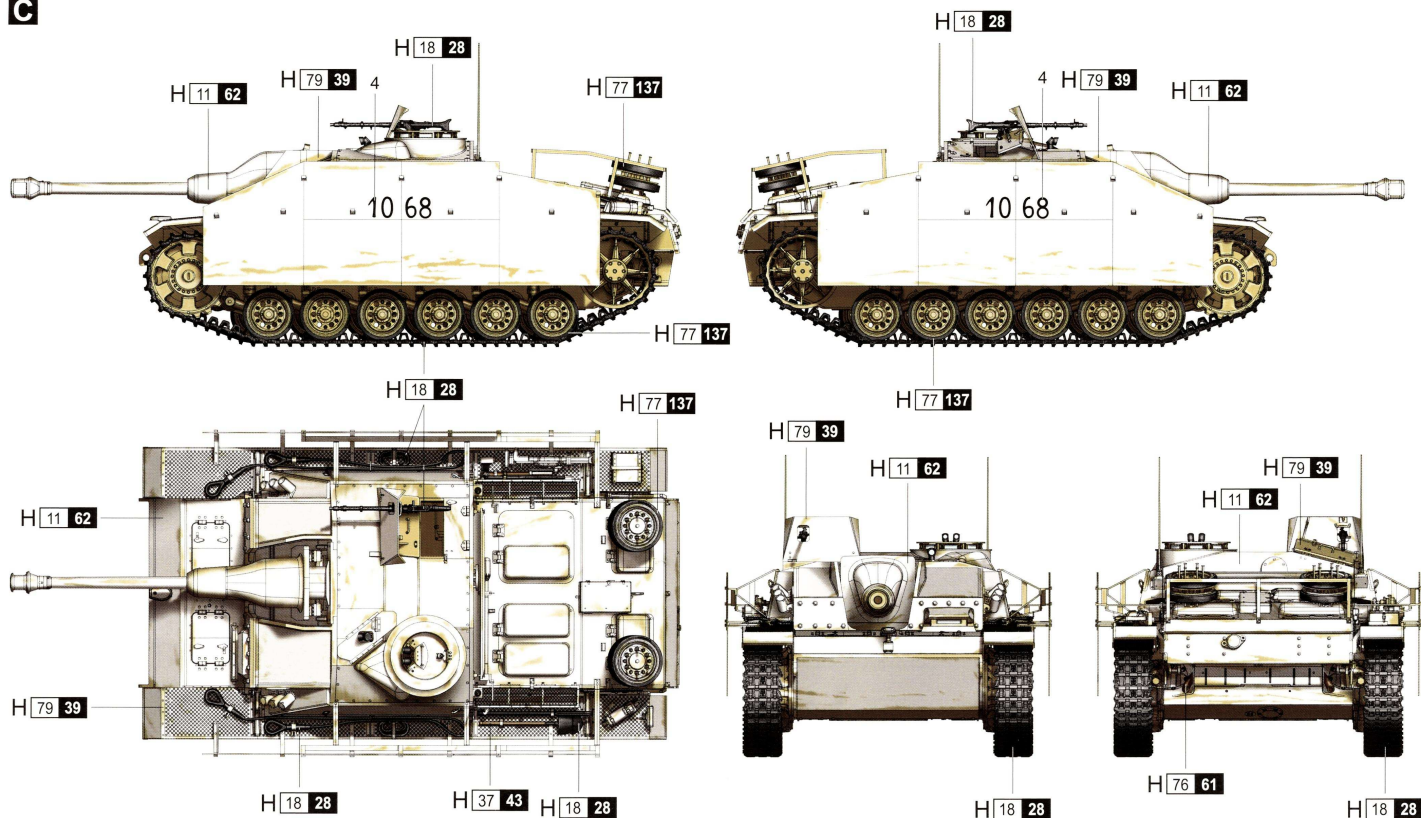
B



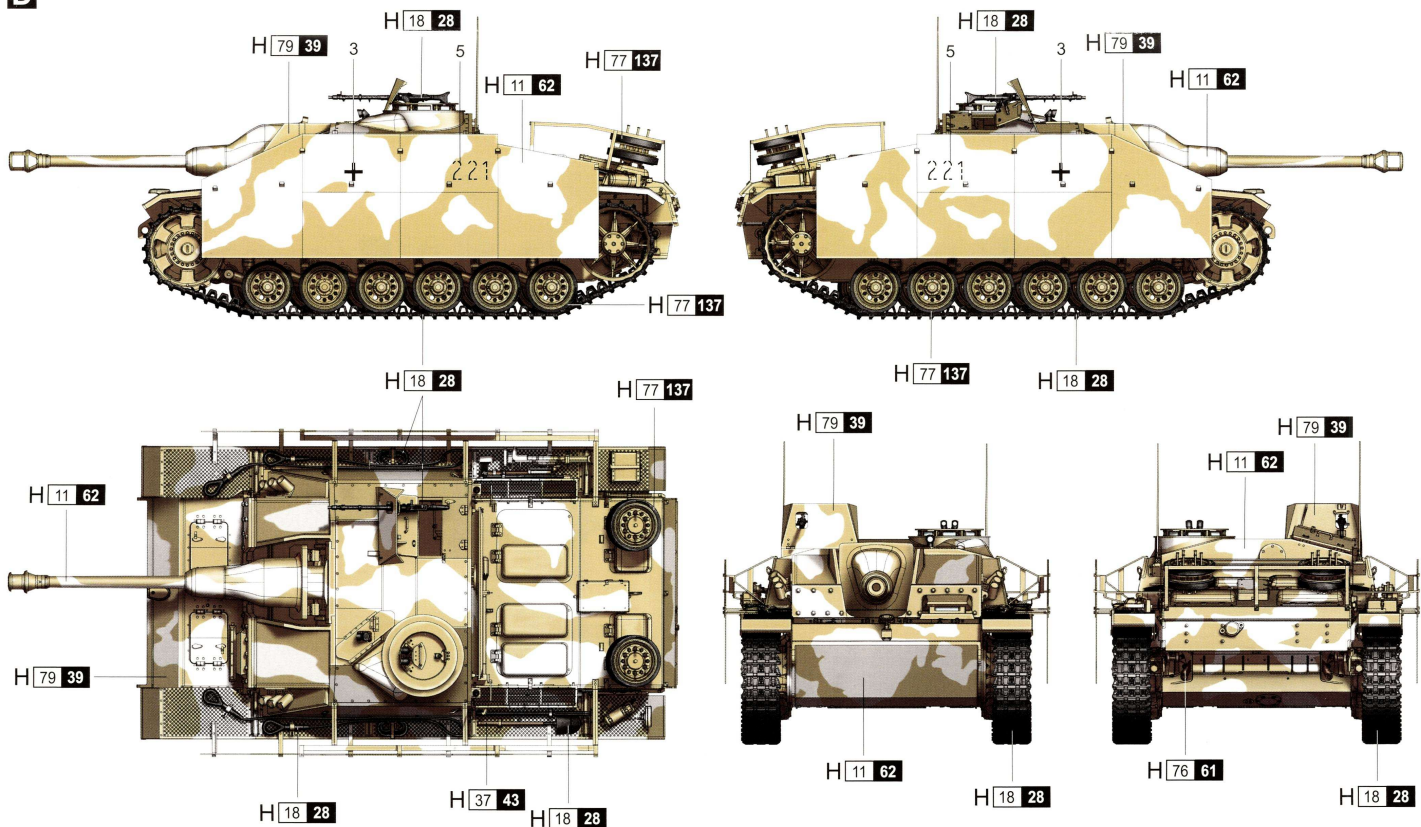
H AQUEOUS HOBBY COLOR M Mr. COLOR N ACRYSION COLOR

涂装同标贴指示 Painting & Marking guide

C



D



PAINT REFERENCE COLOR

Color	Mr.Hobby	Acrycion	Vallejo	Model Master	Tamiya	Humbrol	Color	Mr.Hobby	Acrycion	Vallejo	Model Master	Tamiya	Humbrol	Color	Mr.Hobby	Acrycion	Vallejo	Model Master	Tamiya	Humbrol	
Dark Green 战车绿	H 70	N	-	-	-	-	Tire Black 胎黑色	H 77 137	N 77	-	-	XF85	-	Steel 黑铁色	H 18 28	N 18	864	1402	XF84	-	
Sandy Yellow 砂黄色	H 79 39	N 79	824	-	XF59	93	Wood Brown 木棕色	H 37 43	N 37	983	1701	-	186	Burnt Iron 烧铁色	H 76 61	N 76	863	1795	X10	53	
Red Brown 红棕色	H 47 41	N 47	984	-	XF64	160	Flat White 消光白	H 11 62	N 11	951	1768	XF2	34								

H AQUEOUS HOBBY COLOR X Mr. COLOR N ACRYSION COLOR