



Personenwagen Cid-27 „Donnerbüchse“

DW35033



Vor dem Zusammenbau lesen!



Warning

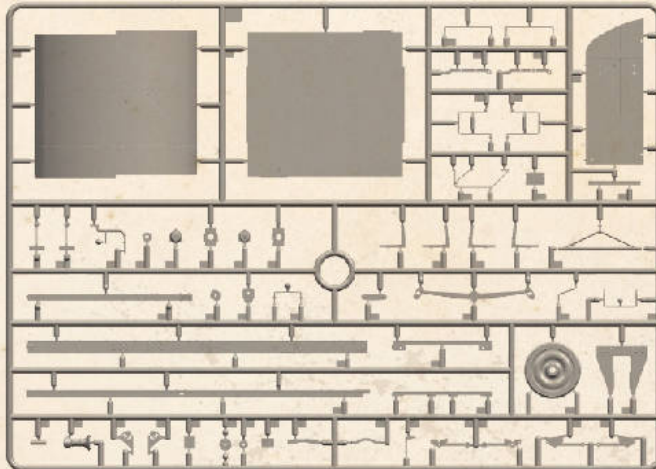
特别注意

- ▲ Do not use glue or paint near the fire, please keep good air circulation.
- ▲ Please be careful with the tips of both tools and parts. Please pay special attention to photo-etch parts to avoid scratch or injury.
- ▲ Please keep away from children, pets or anyone who need special care. Avoid any possible injury from small parts and tools, please keep plastic bags away from children or pets.

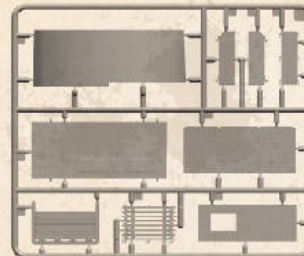
- ▲ 切勿在近火处使用胶水或油漆，请保持制作环境的空气流通。
- ▲ 请小心制作工具和产品零件的尖端，处理蚀刻片时请特别注意，防止划伤，避免伤害。
- ▲ 制作时请远离儿童、宠物和需受监护的人员，避免细小零件和工具对其造成损伤。请将产品中的包装塑胶袋远离儿童和宠物避免发生窒息危险！

- x2** Make 2 Pcs 制作二组
- Optional** 选择模式
- Remove / Cut** 切削
- Open Hole** 钻孔
- Caution** 小心注意
- Do Not Cement** 无需粘合
- Bend** 弯曲
- Instant Glue For Metal** 用强力胶
- Fill Hole** 填平
- Apply Decal** 贴水印纸

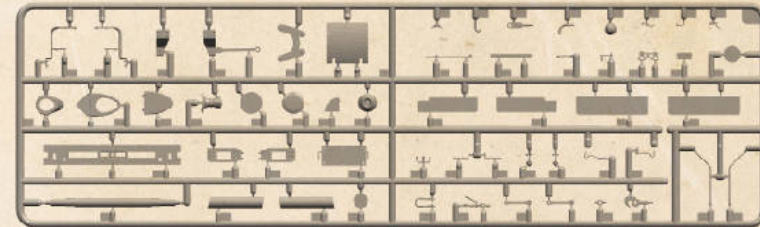
A x4



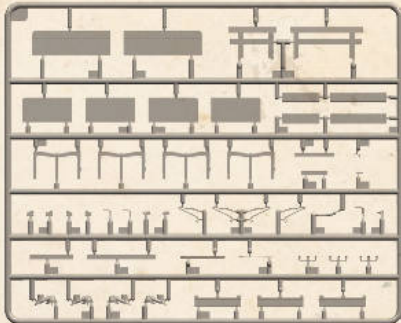
B x2



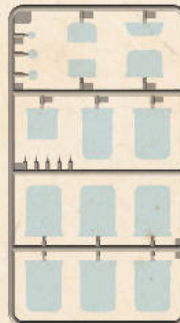
C x2



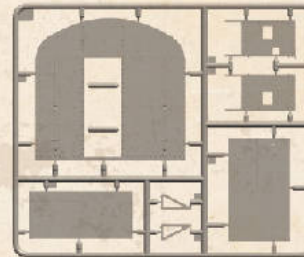
F x5



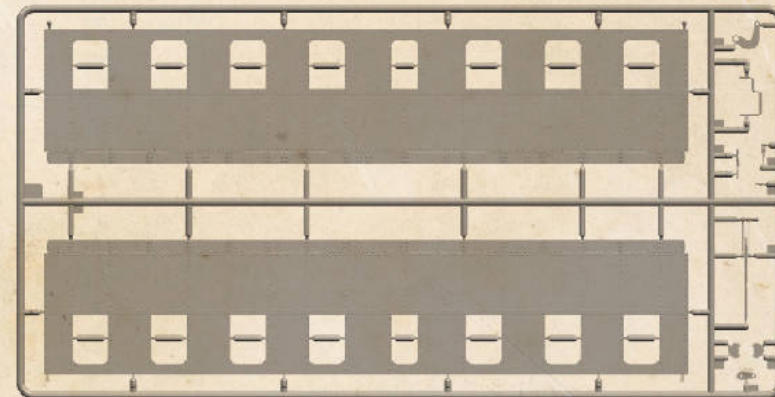
G x2



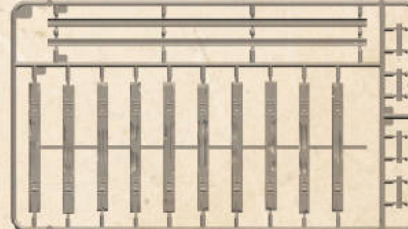
Dx2



E x1



Z x2



H x1



Metal pipeline

- M-319 x1
- M-289 x2
- M-172 x2
- M-99 x2
- M-74 x1
- M-42 x3

Metal molding line



Hose



3D printed parts



Decal

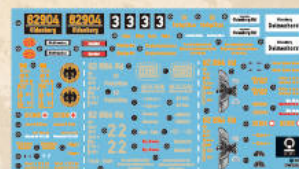
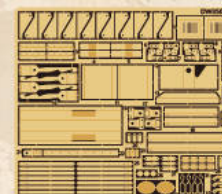


Photo Etched



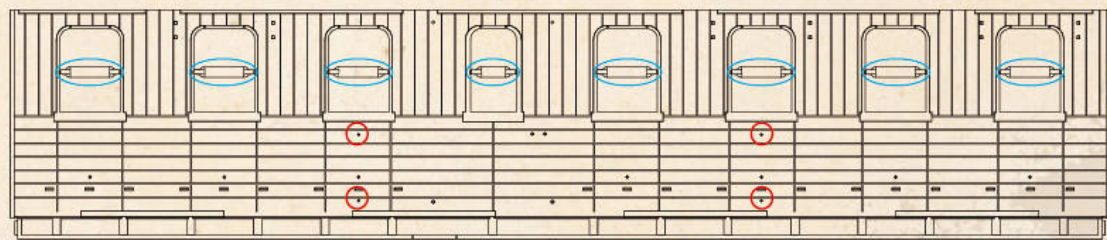
Positioning paper



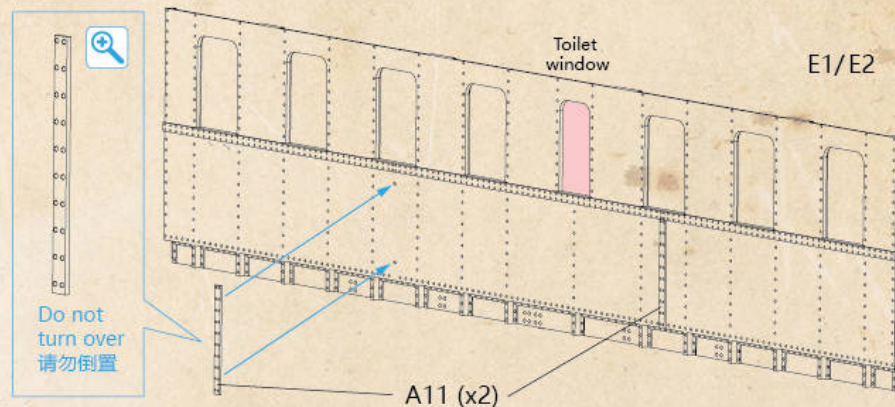
1

(x7)

E1/E2



0.7mm (x4)



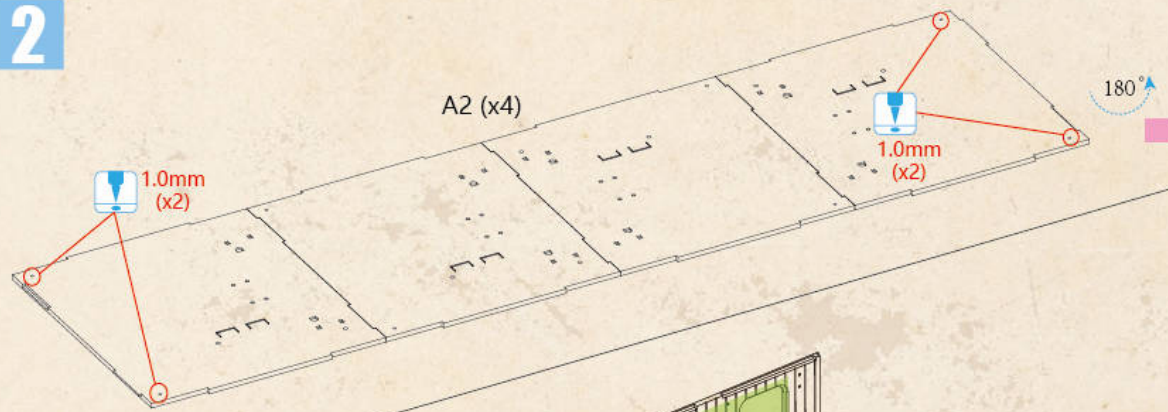
2

A2 (x4)

1.0mm (x2)

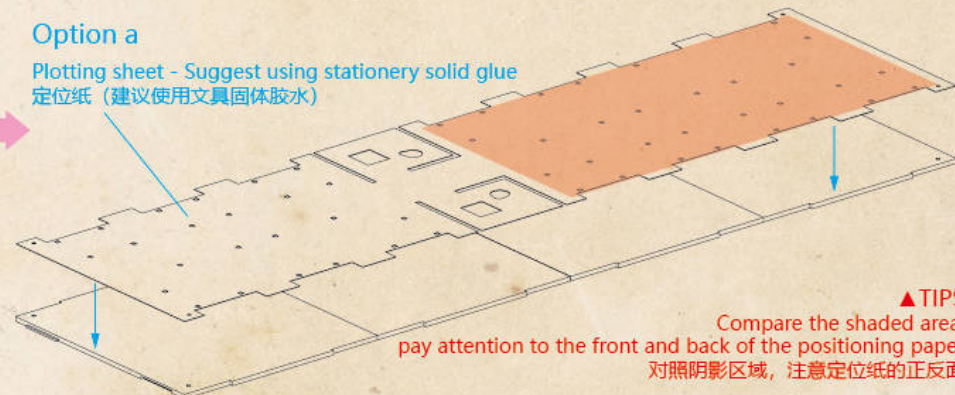
1.0mm (x2)

180°



Option a

Plotting sheet - Suggest using stationery solid glue
定位纸 (建议使用文具固体胶水)



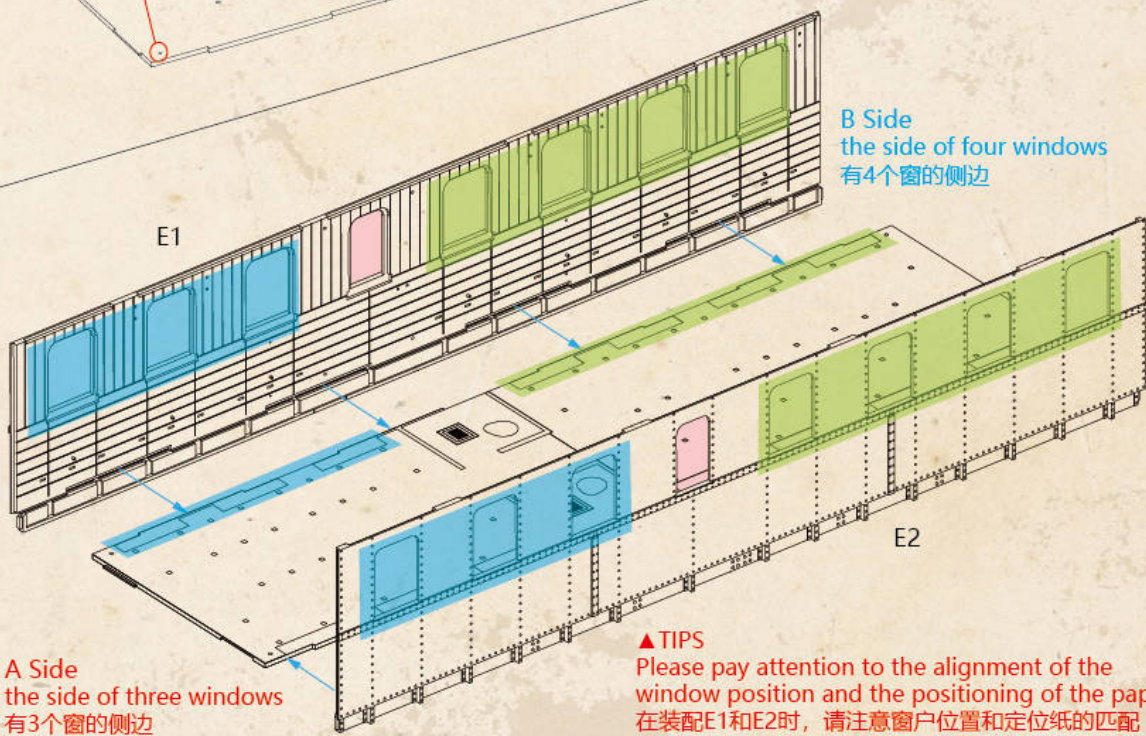
▲ TIPS

Compare the shaded area,
pay attention to the front and back of the positioning paper
对照阴影区域, 注意定位纸的正反面



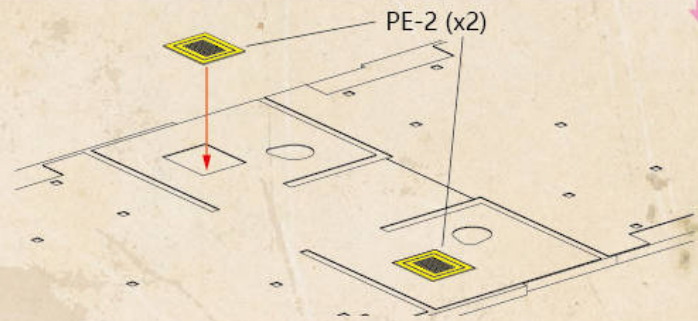
Option b

1. Floor advance painting
选择涂装方案, 地板预先上色
2. Fix the positioning paper temporarily
暂时固定定位纸
3. Marker positioning
标记定位点
4. Removal positioning paper
移除定位纸



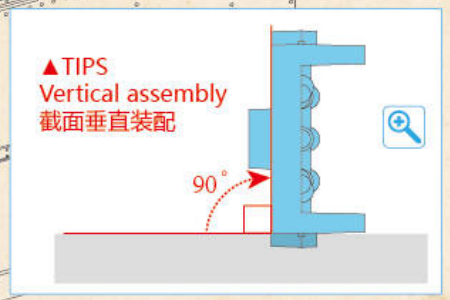
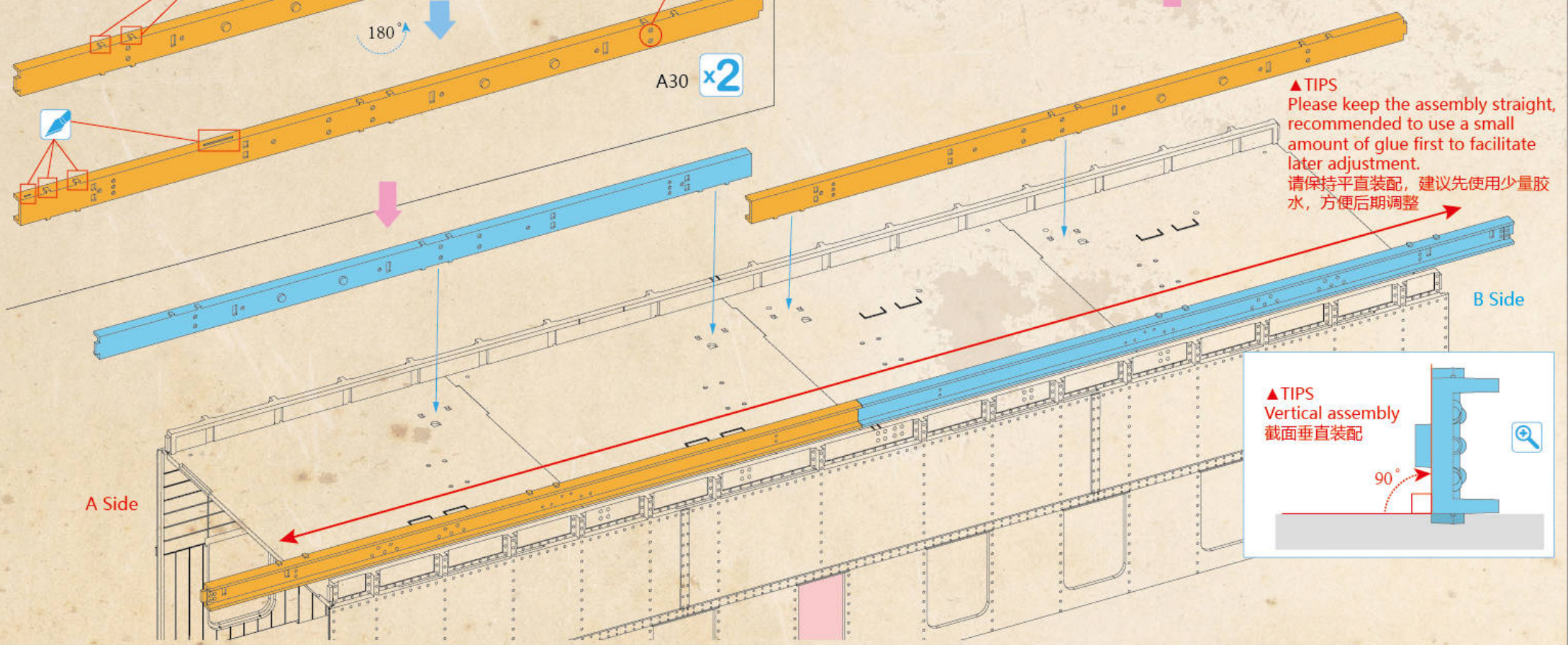
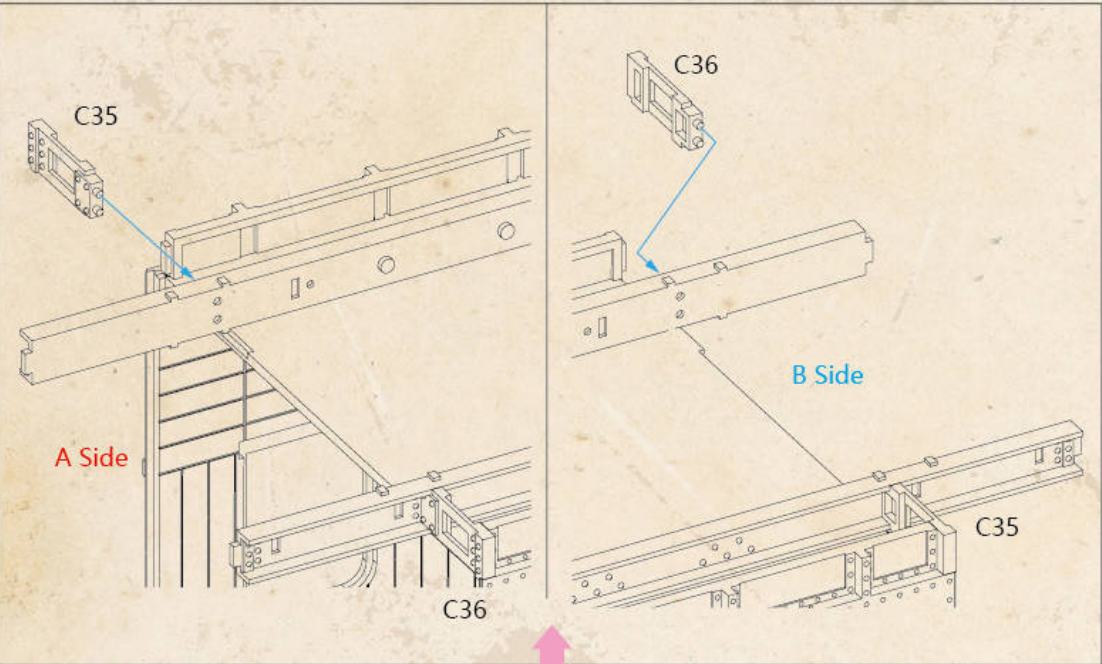
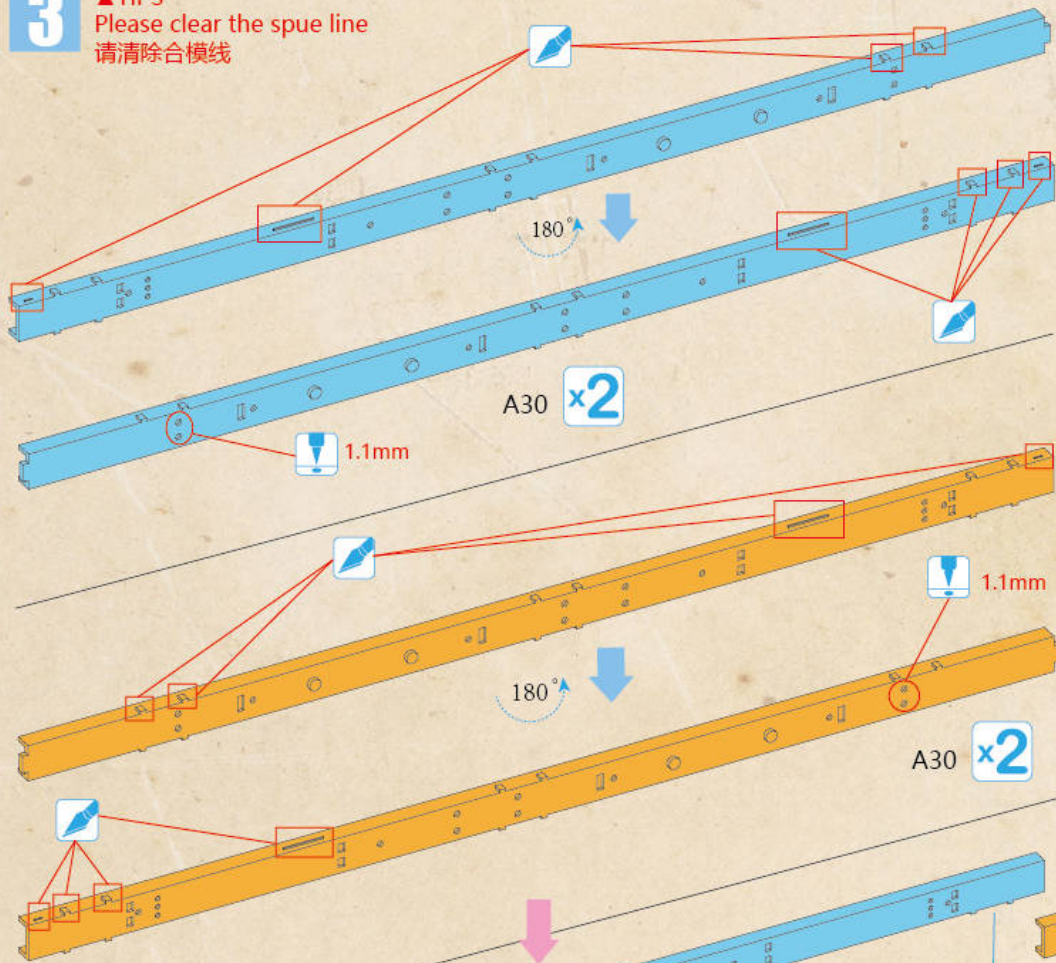
▲ TIPS

Please pay attention to the alignment of the window position and the positioning of the paper
在装配E1和E2时, 请注意窗户位置和定位纸的匹配



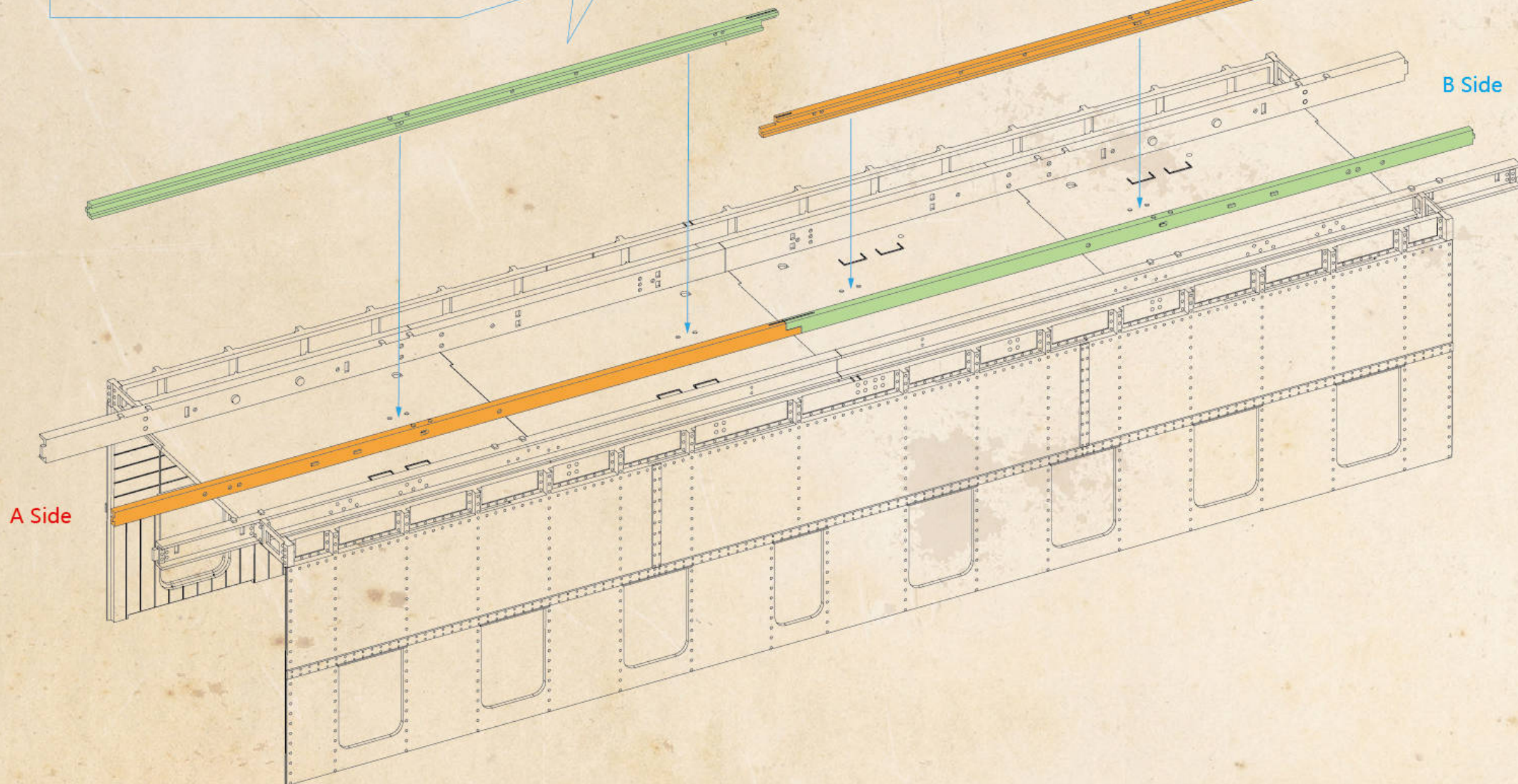
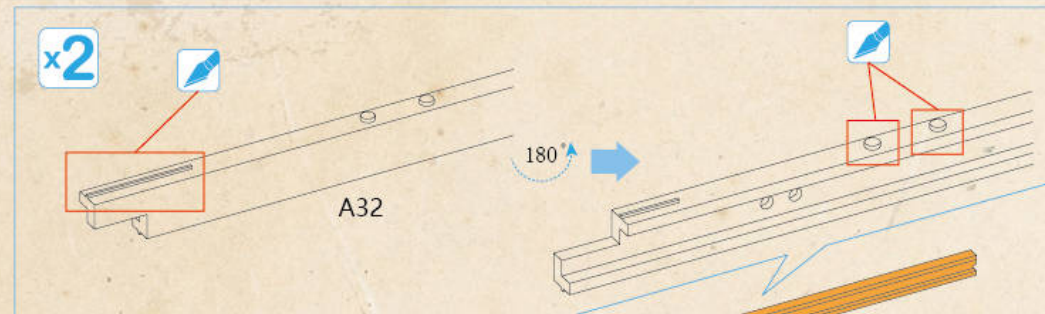
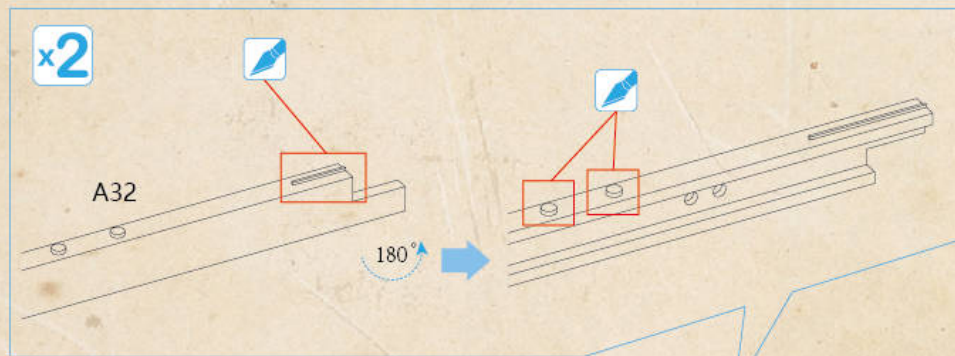
3

▲TIPS
Please clear the spue line
请清除合模线

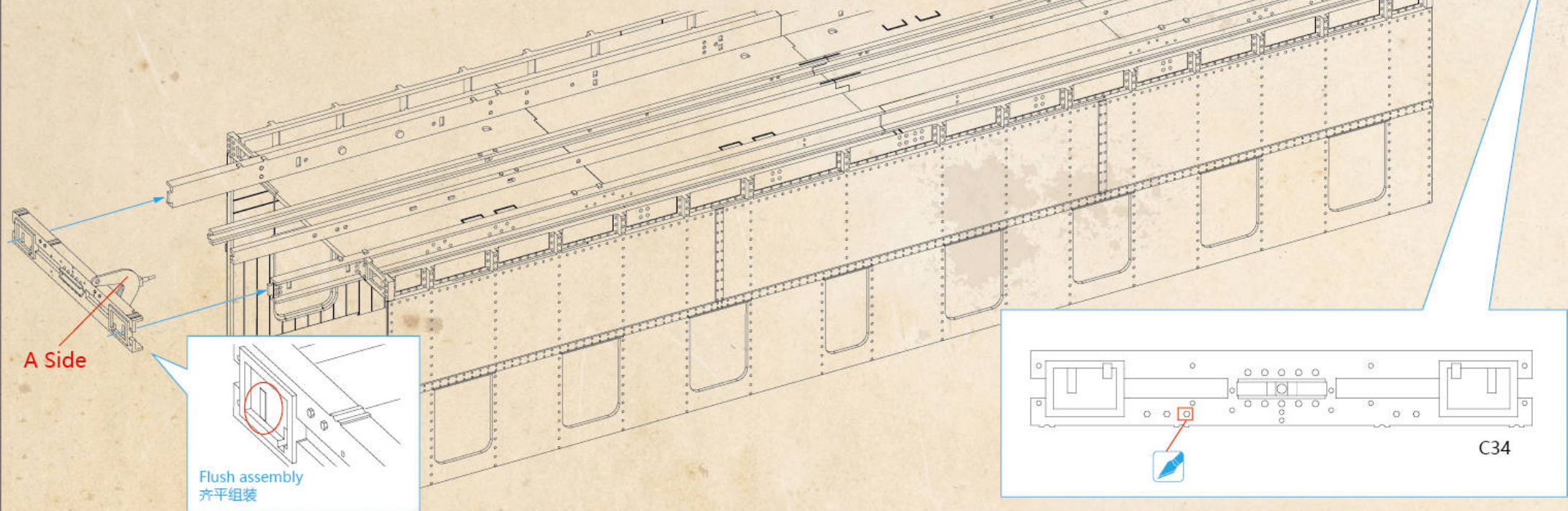
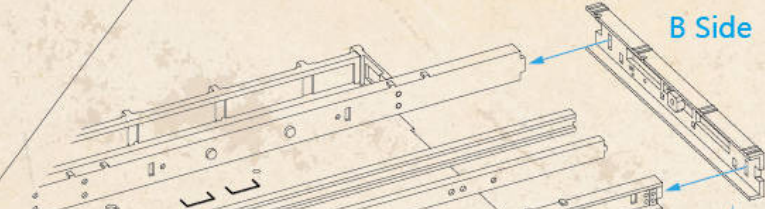
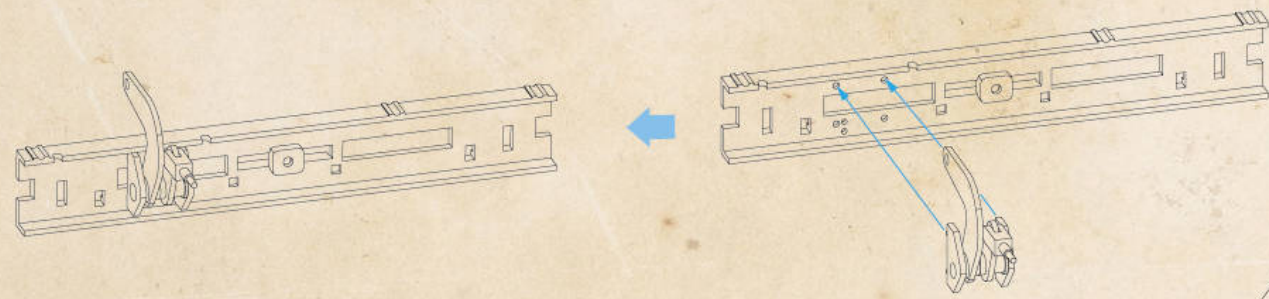
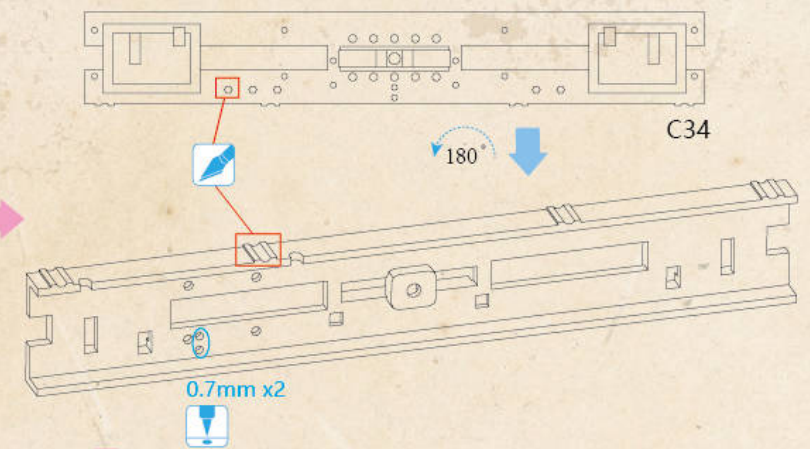
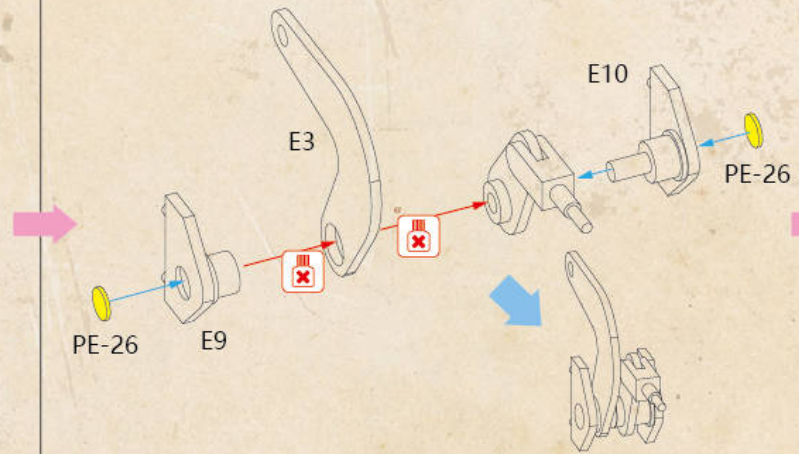
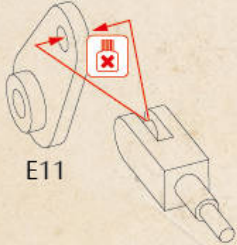


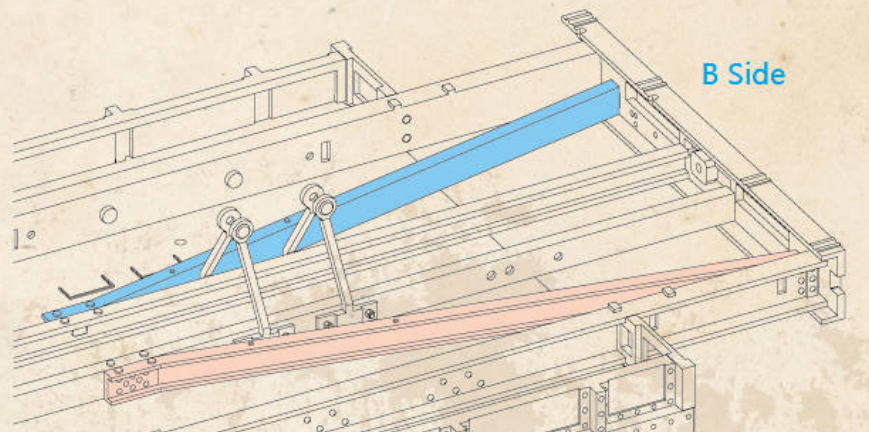
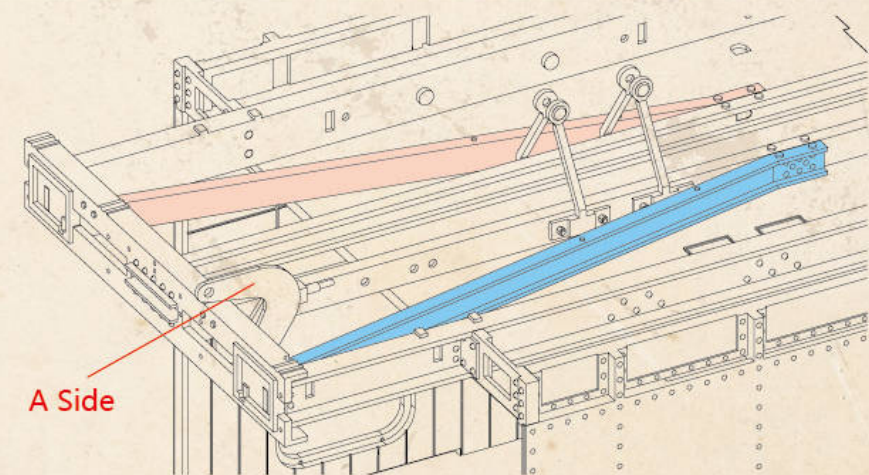
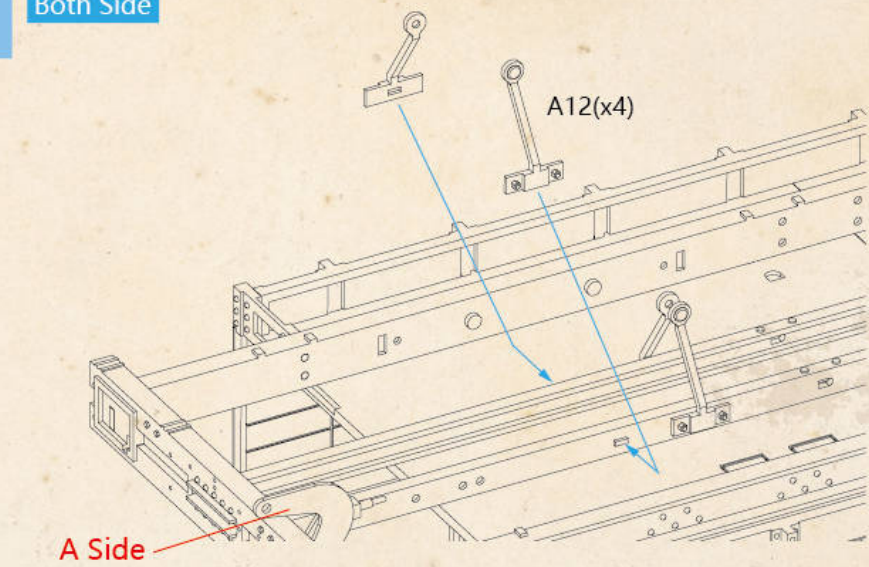
4

▲TIPS
Please clear the spue line
请清除合模线

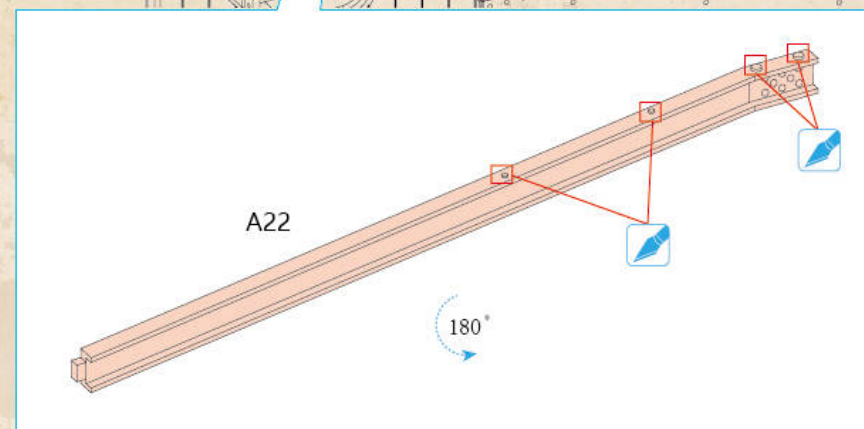
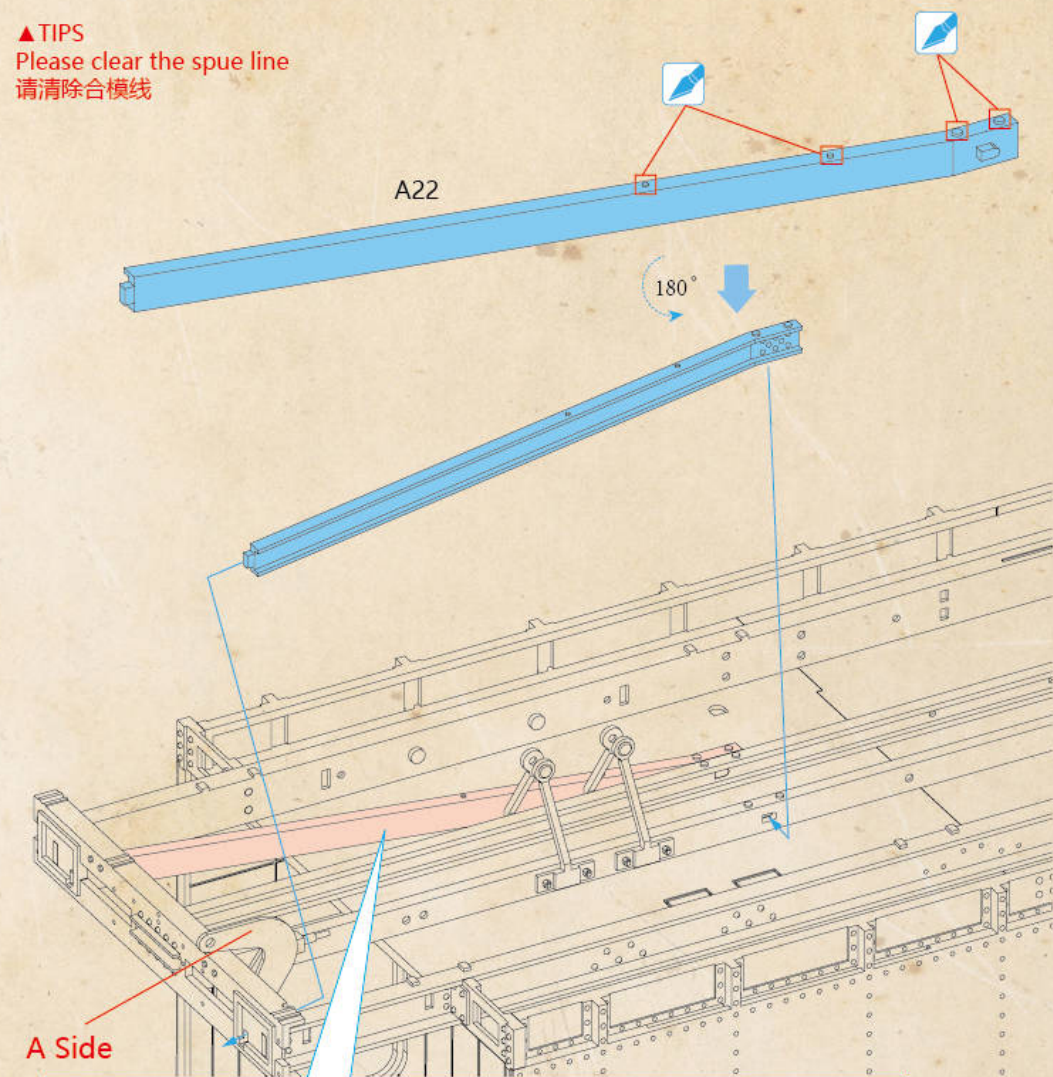


5



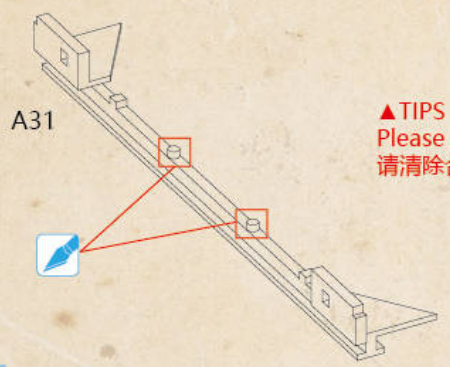


▲TIPS
Please clear the spue line
请清除合模线



a

x2

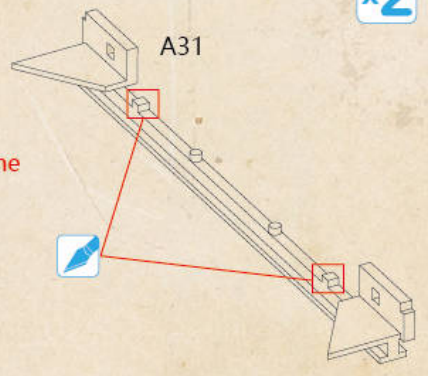


A31

▲TIPS
Please clear the glue line
请清除合模线

b

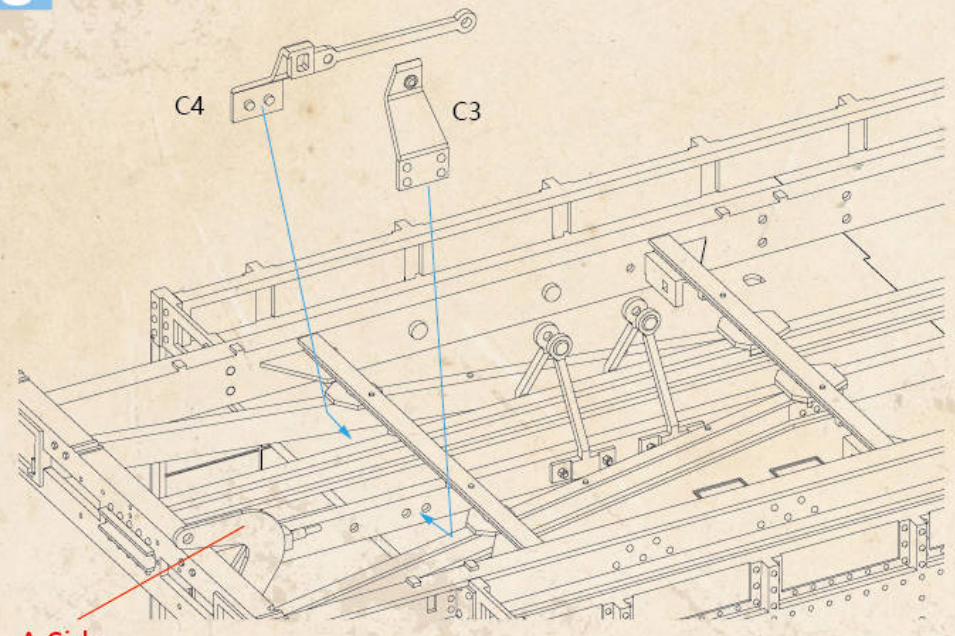
x2



A31

8

Both Side



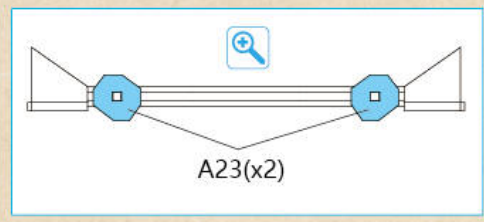
C4

C3

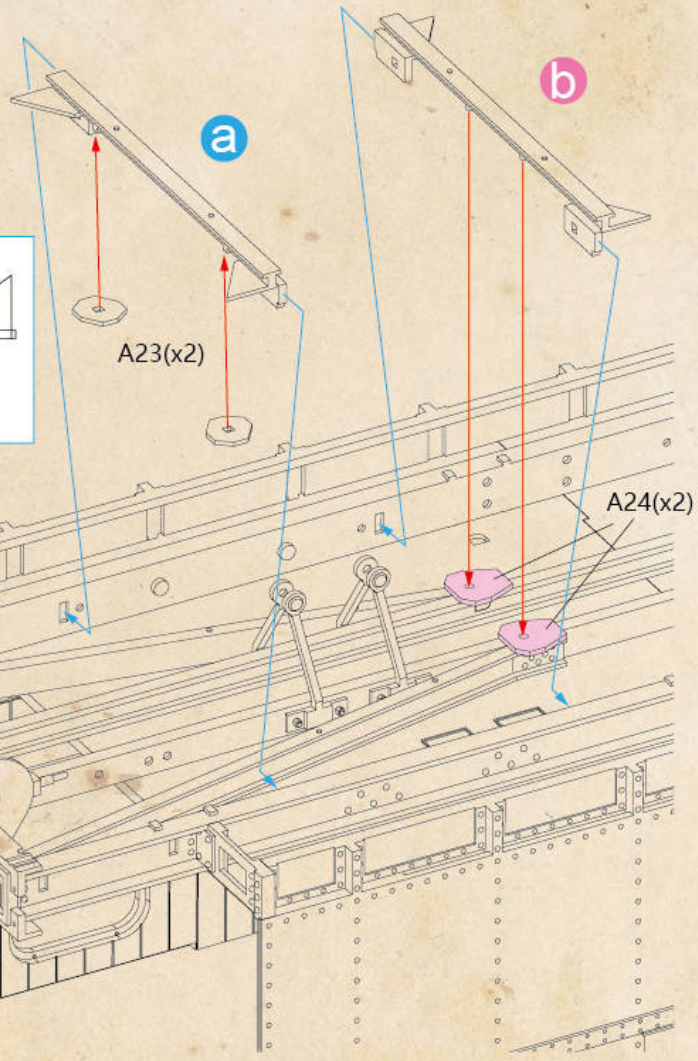
A Side

7

Both Side



A23(x2)



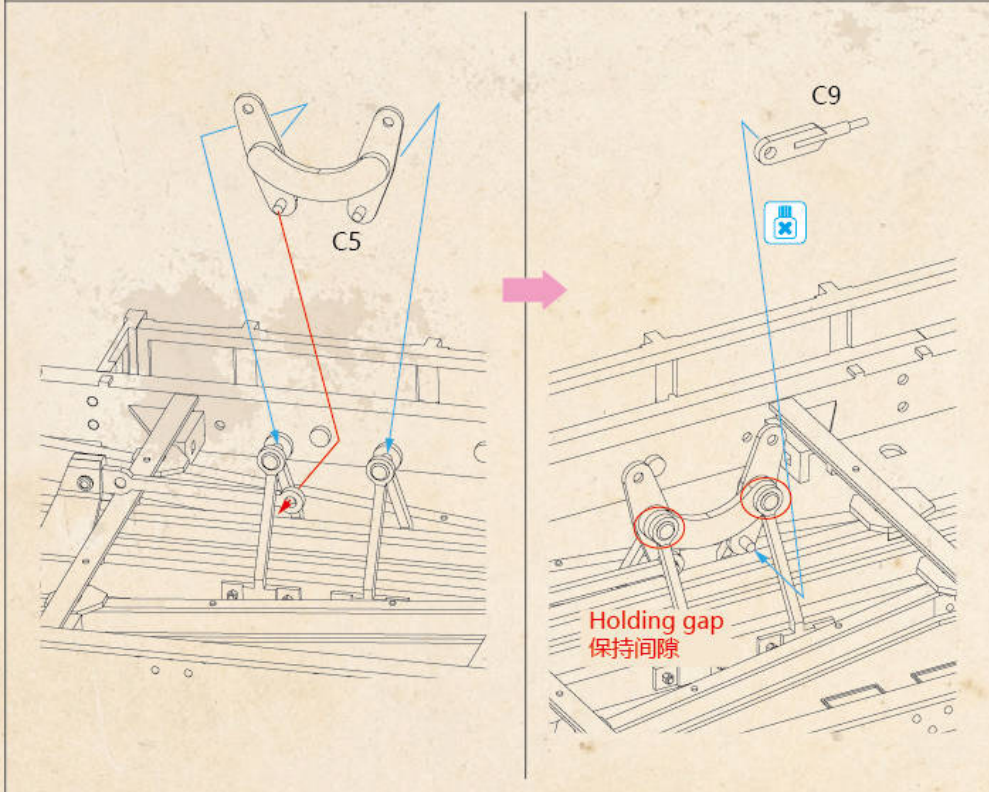
A23(x2)

A24(x2)

A Side

b

a

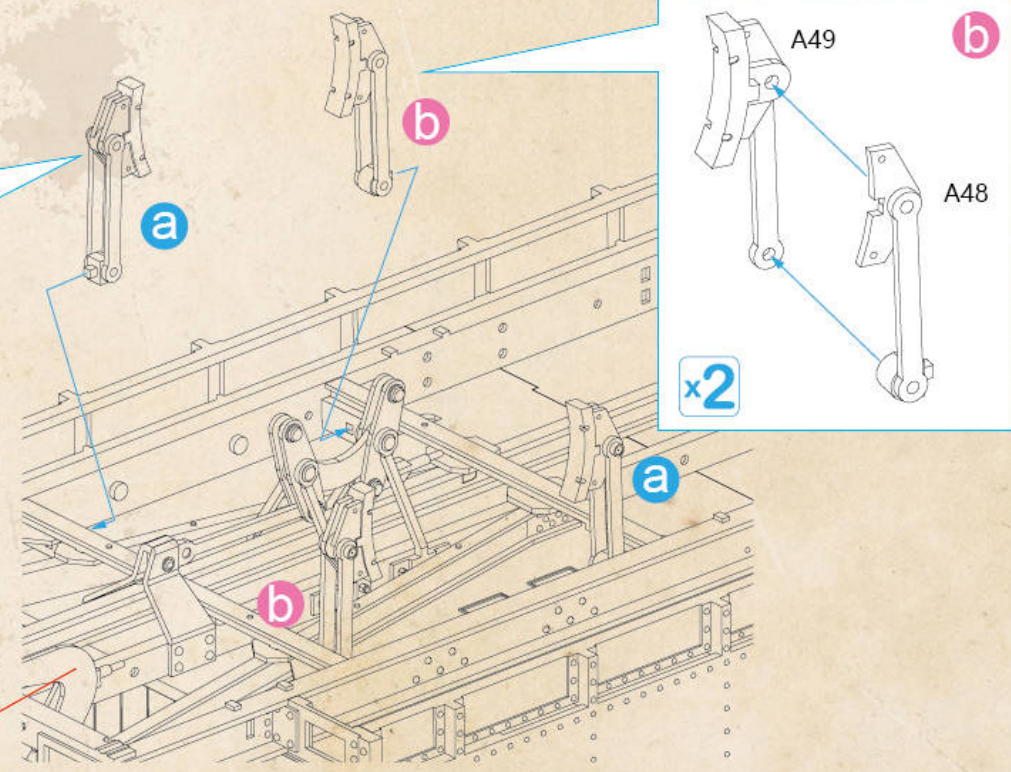
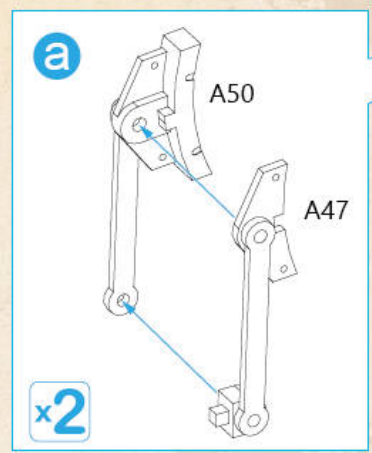
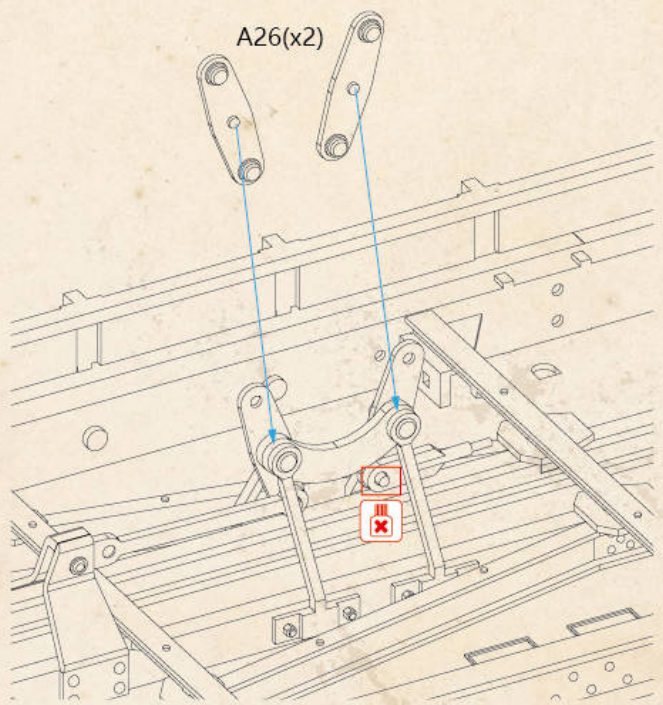


C5

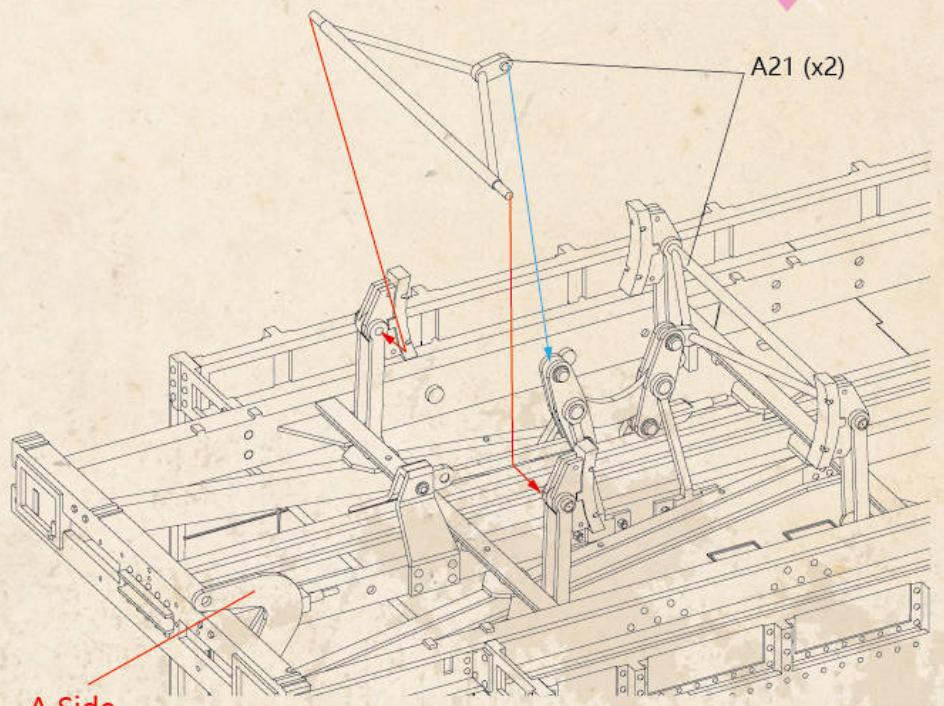
C9

Holding gap
保持间隙

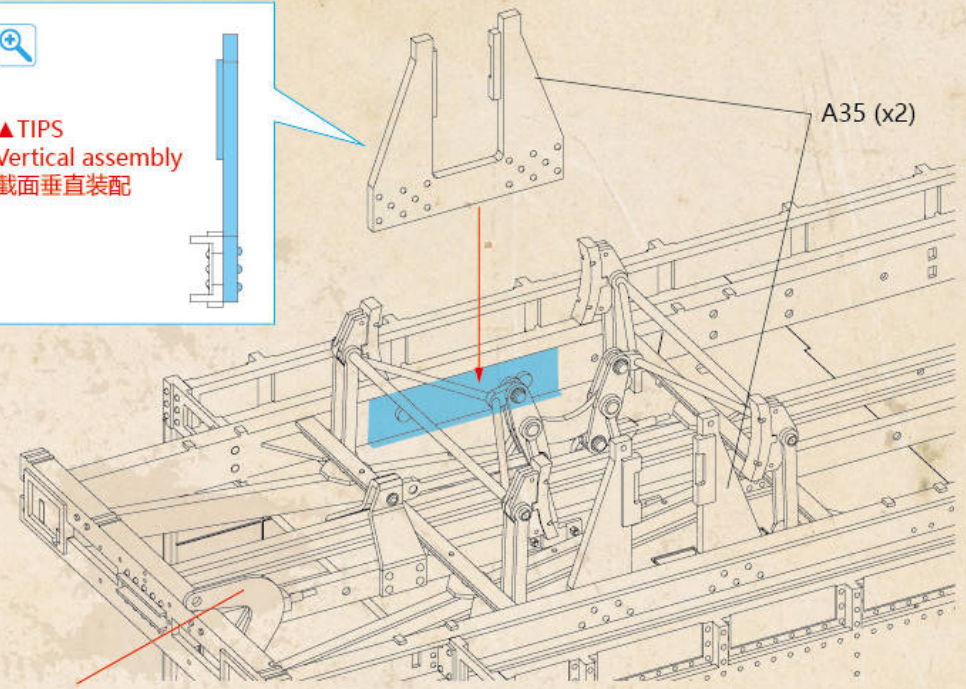
9 Both Side



A Side

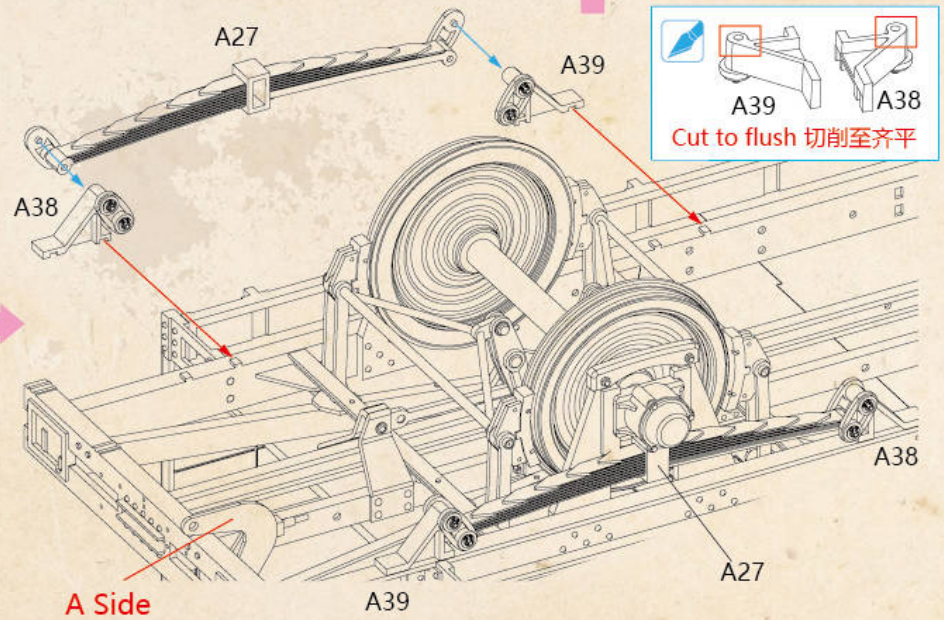
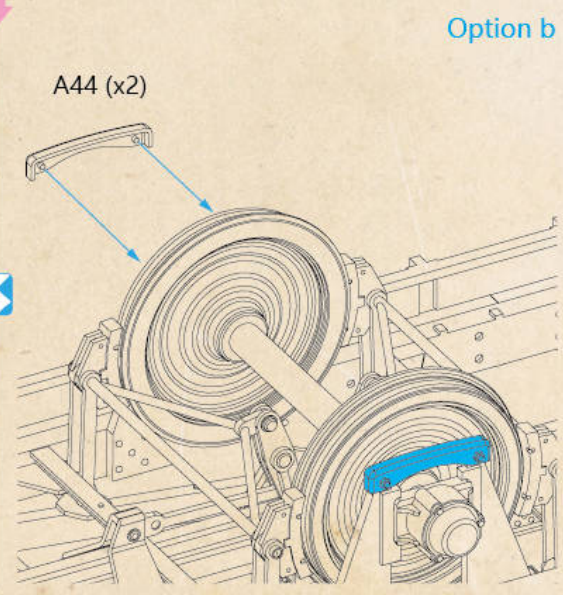
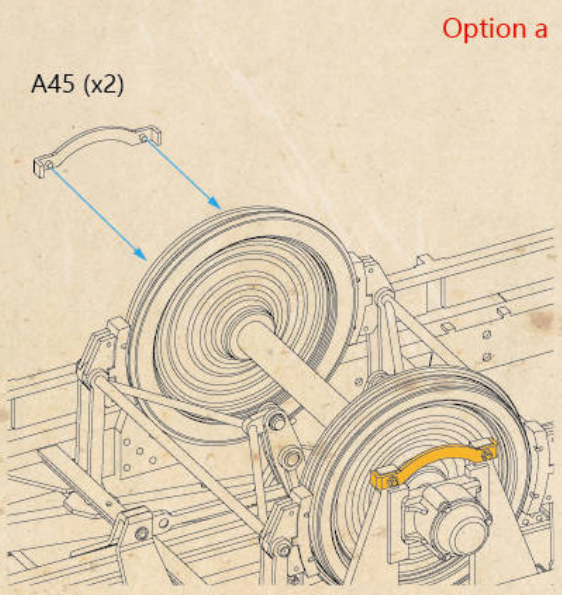
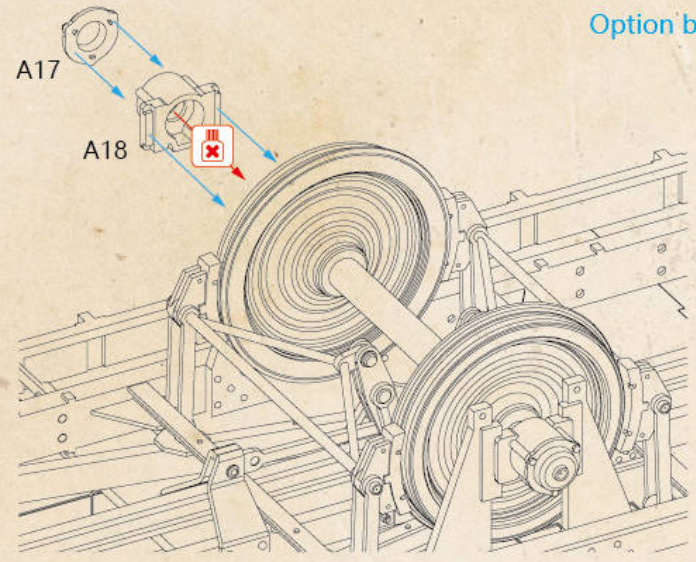
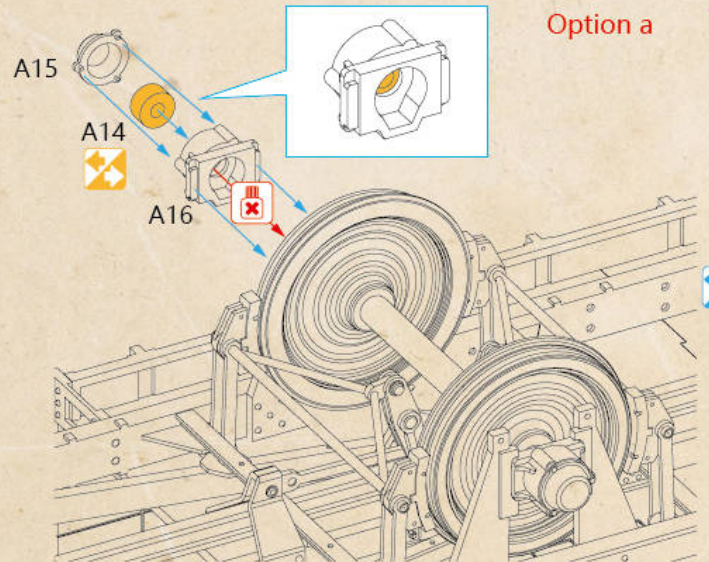
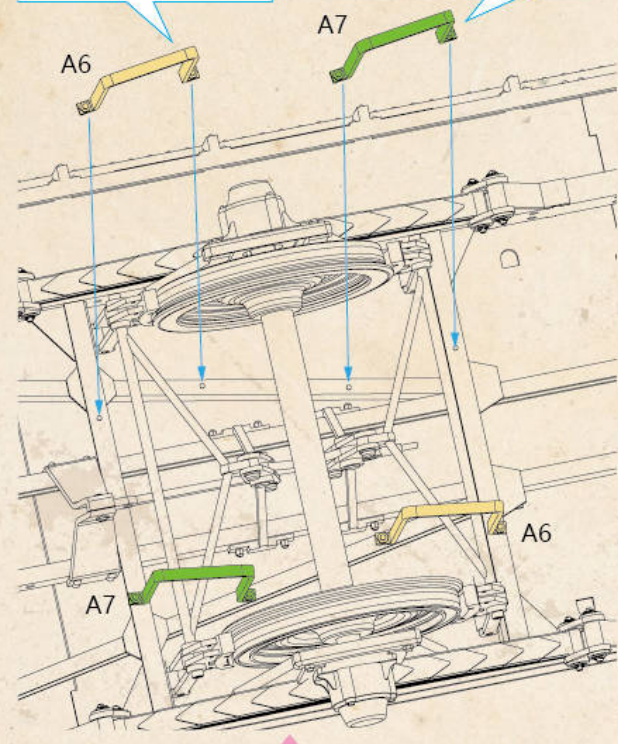
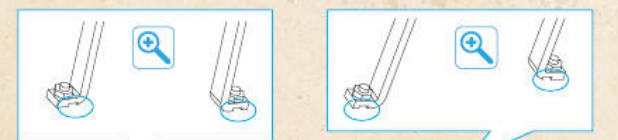
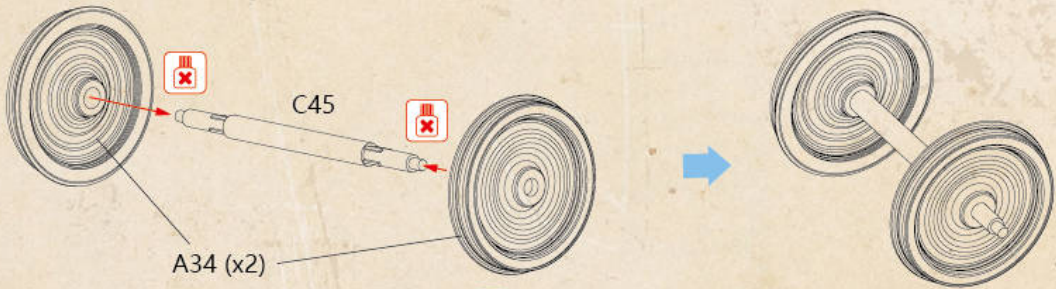


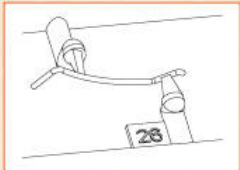
A Side



A Side

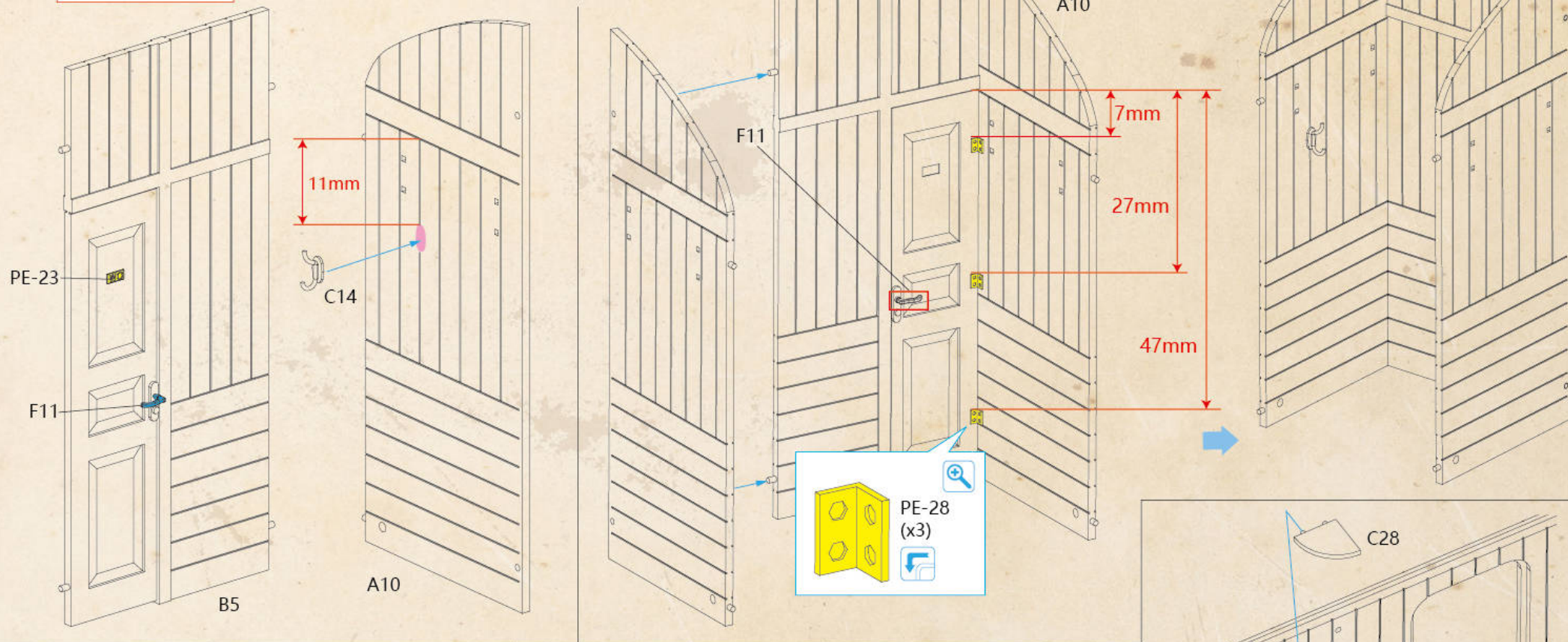
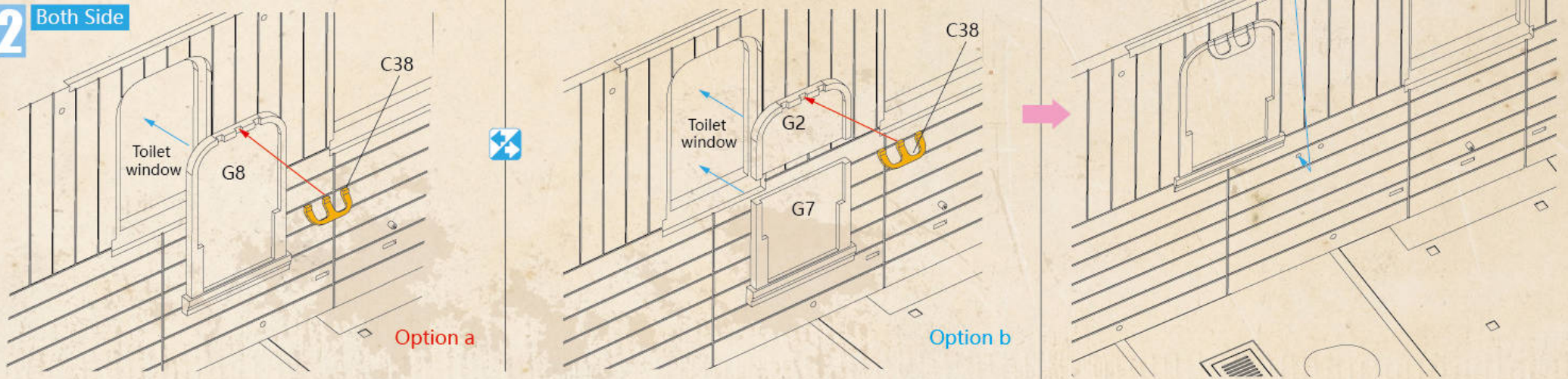
10 Both Side

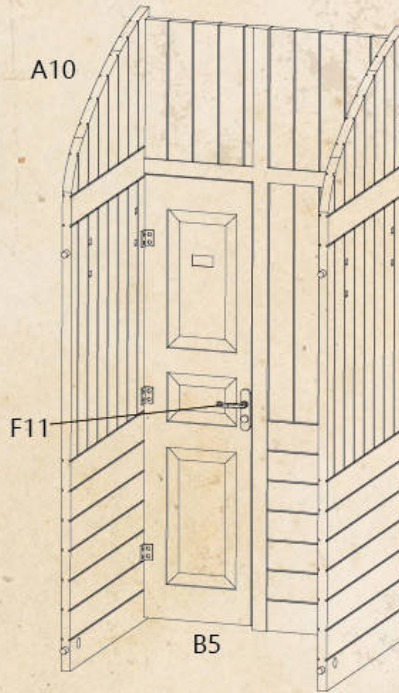
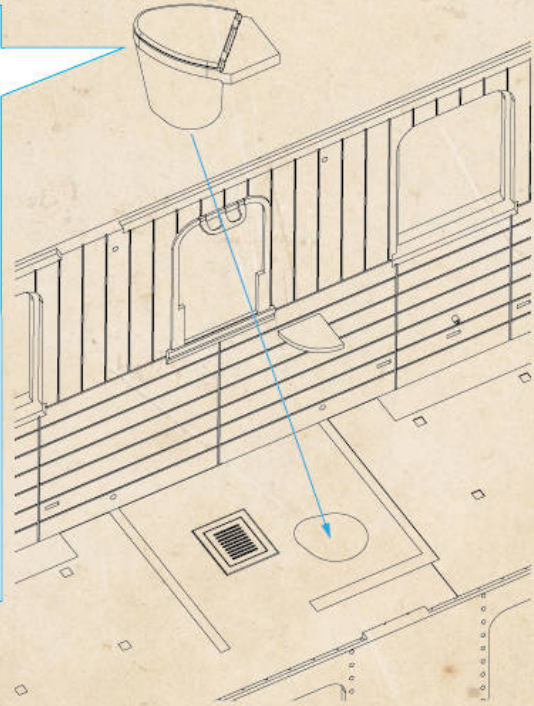
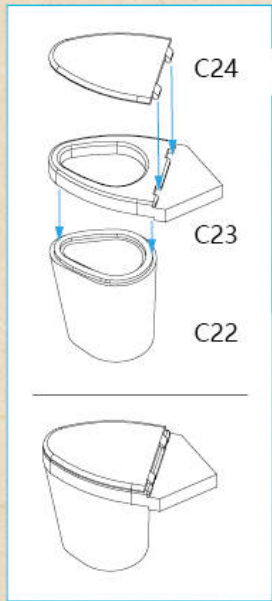


11**▲ TIPS**

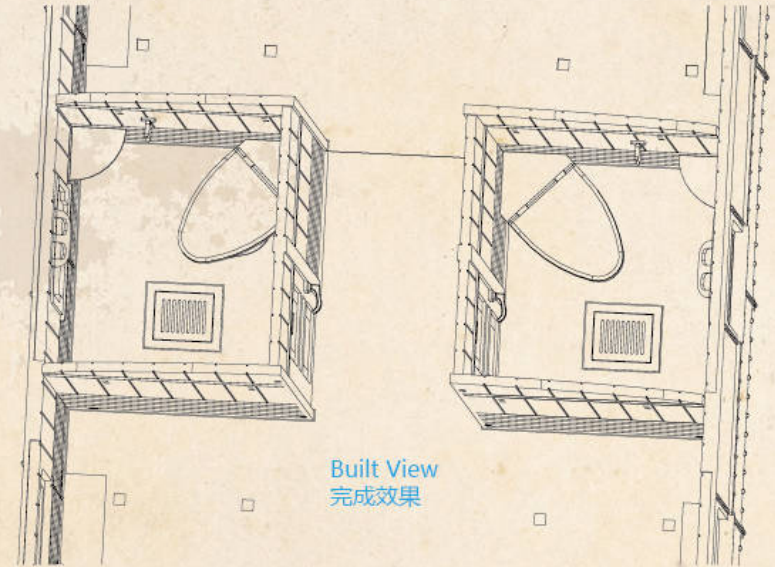
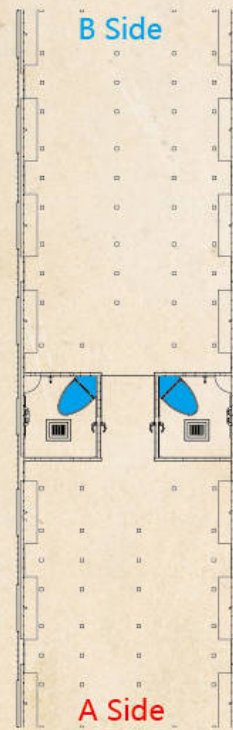
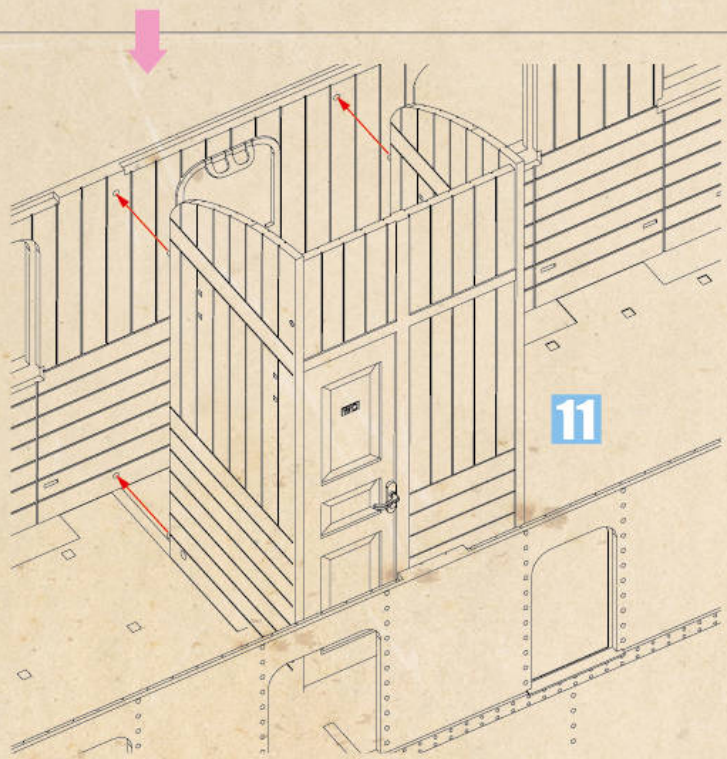
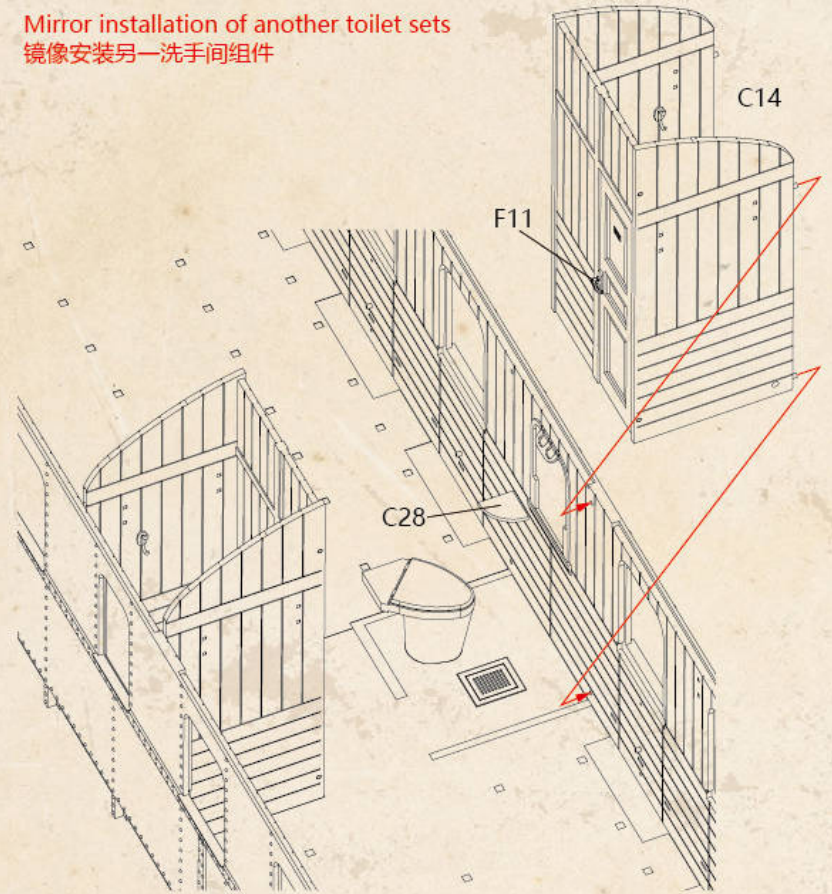
1. In order to avoid breakage, it is recommended to cut the F26 part first and store it separately, please be careful to avoid breakage, suggest to cut the F26 part first and store it separately, please be careful to avoid breakage, suggest to cut the F26 part first and store it separately, please be careful to avoid breakage.

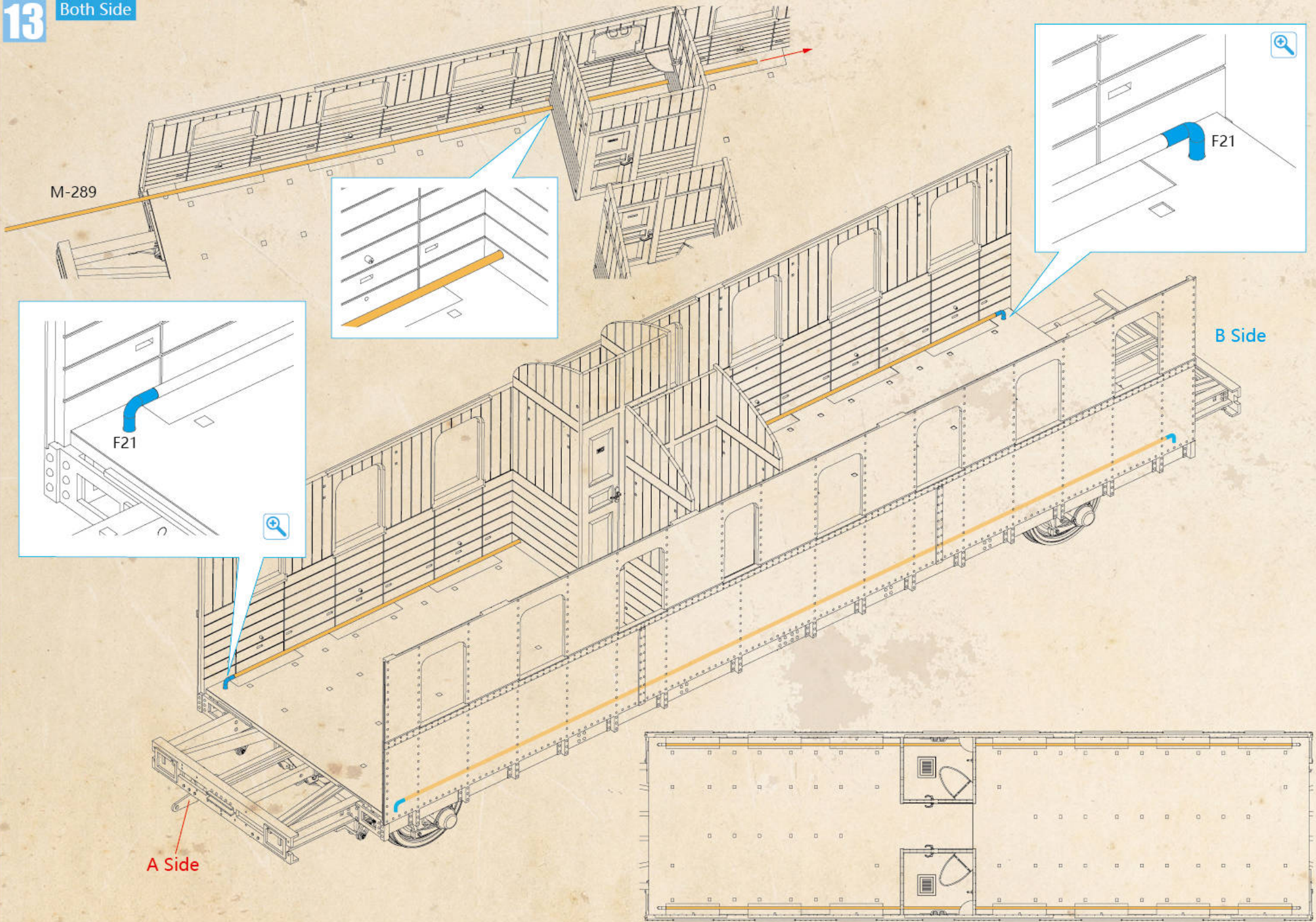
2. Interior painting see Painting and Marking Guide Page
车厢内部涂装见涂装指示页

**12****Both Side**

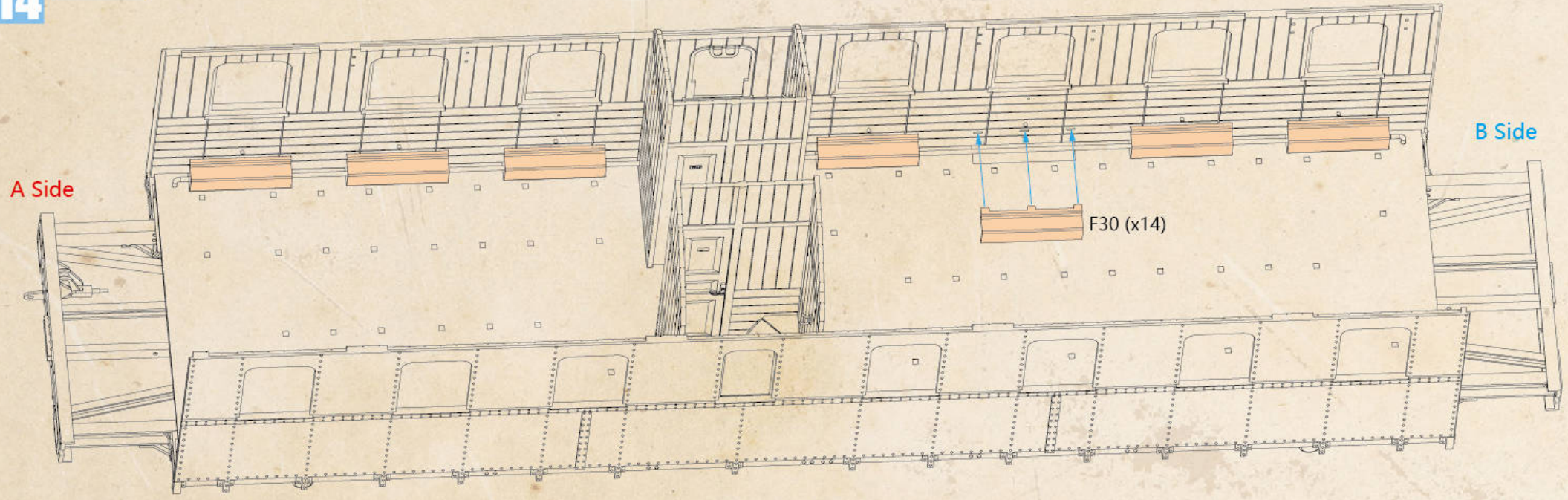


Mirror installation of another toilet sets
镜像安装另一洗手间组件





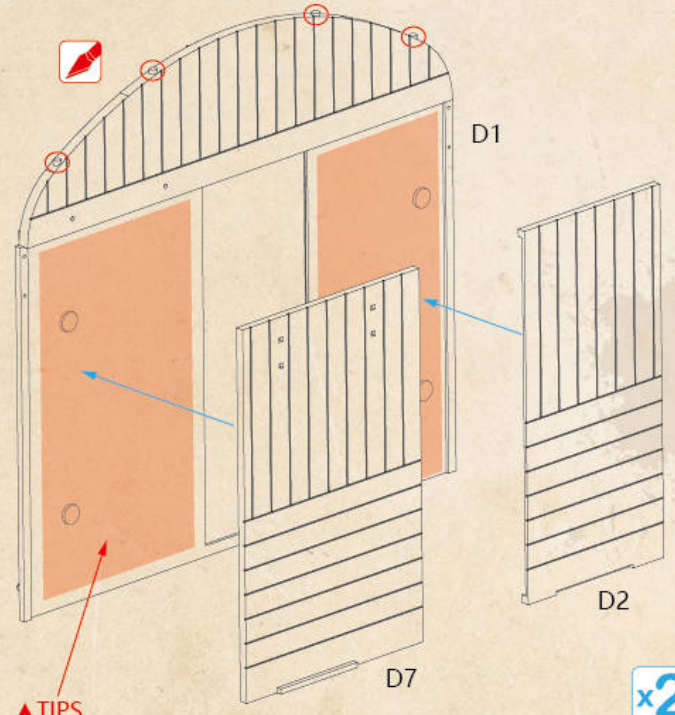
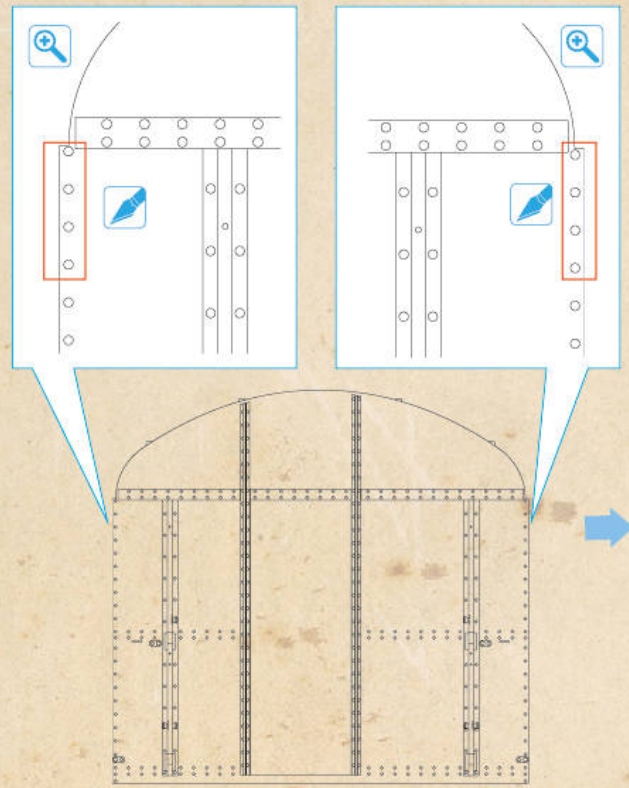
14 Both Side



A Side

B Side

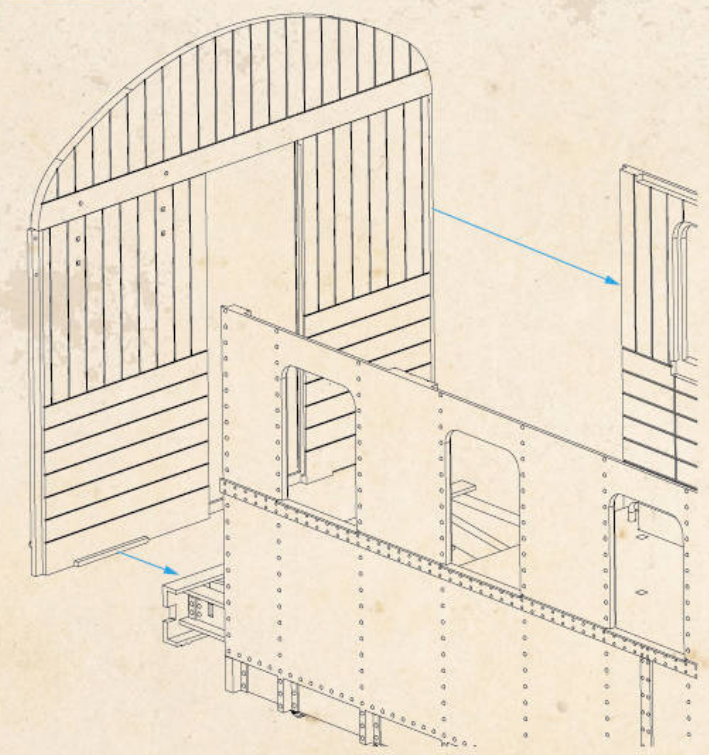
F30 (x14)



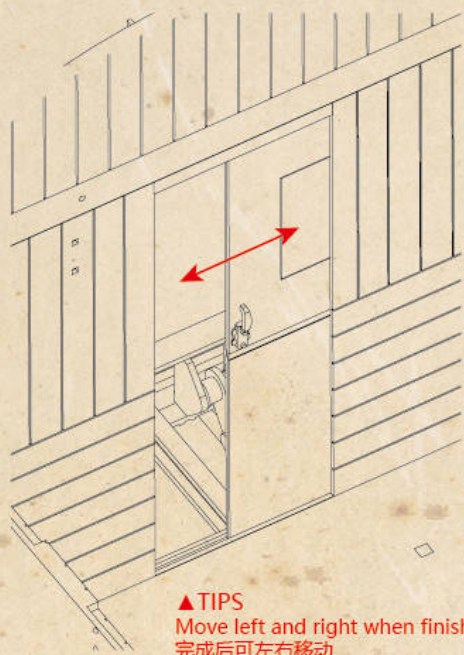
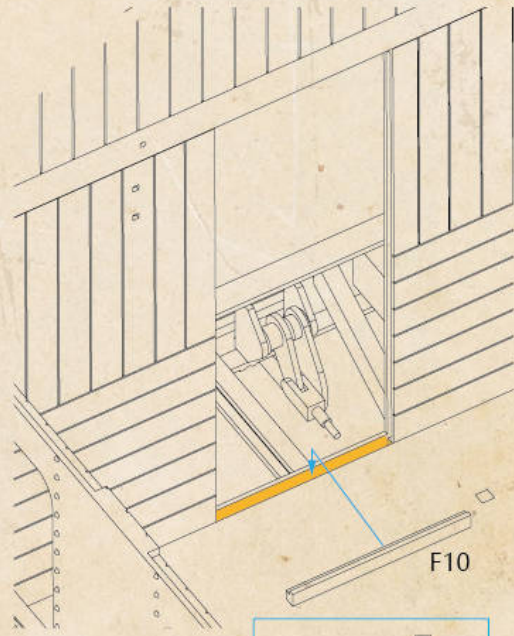
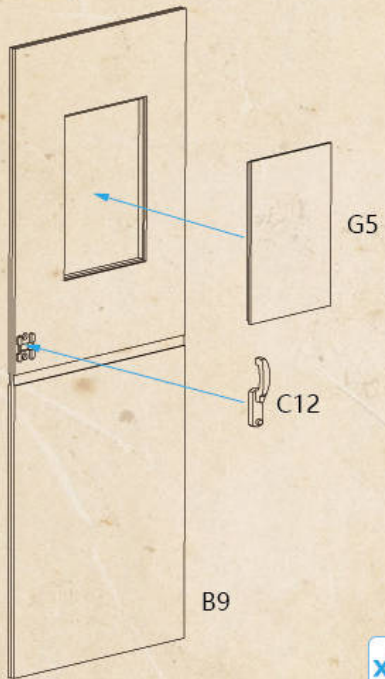
▲TIPS
Please clean and level the shadow area
阴影区域请清理平整

x2

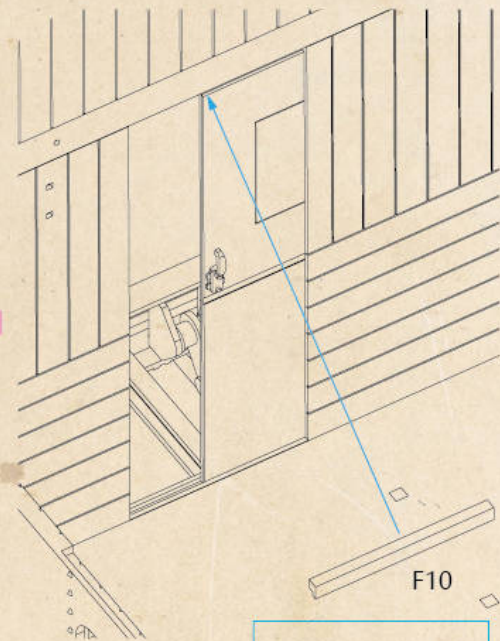
15 Both Side



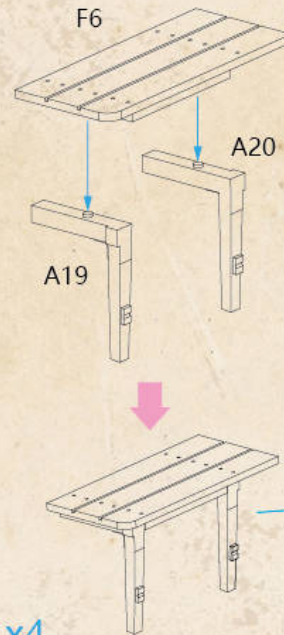
Both Side



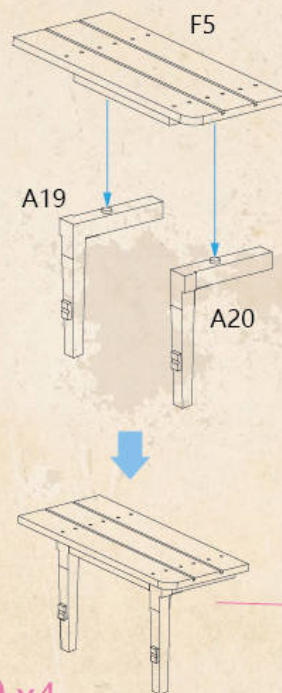
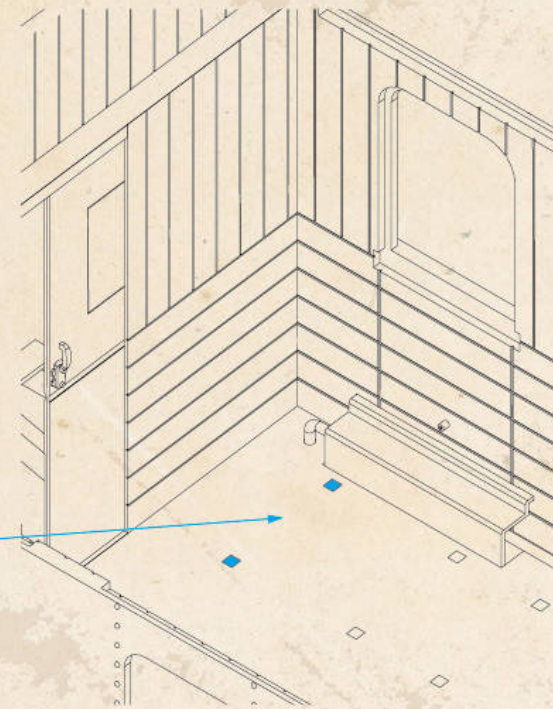
▲TIPS
Move left and right when finished
完成后可左右移动



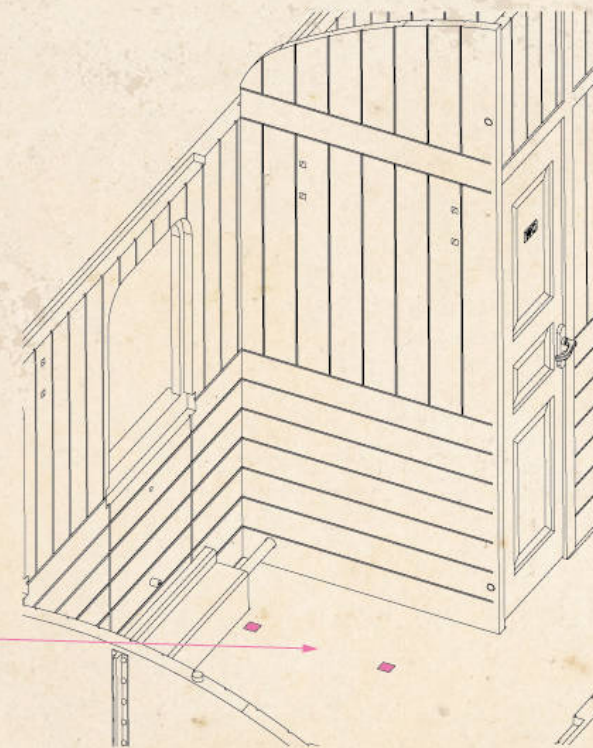
16

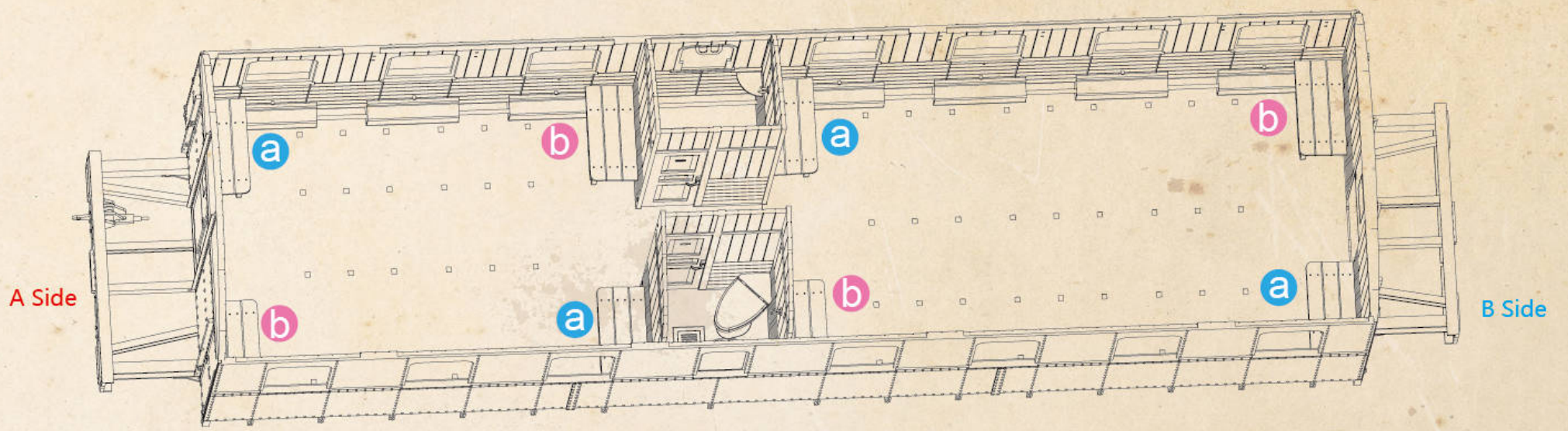


a x4

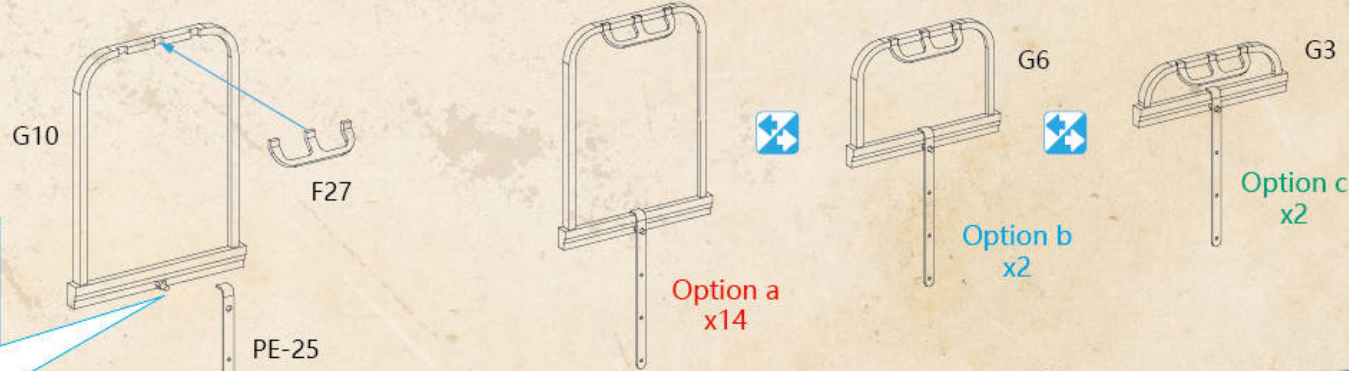


b x4

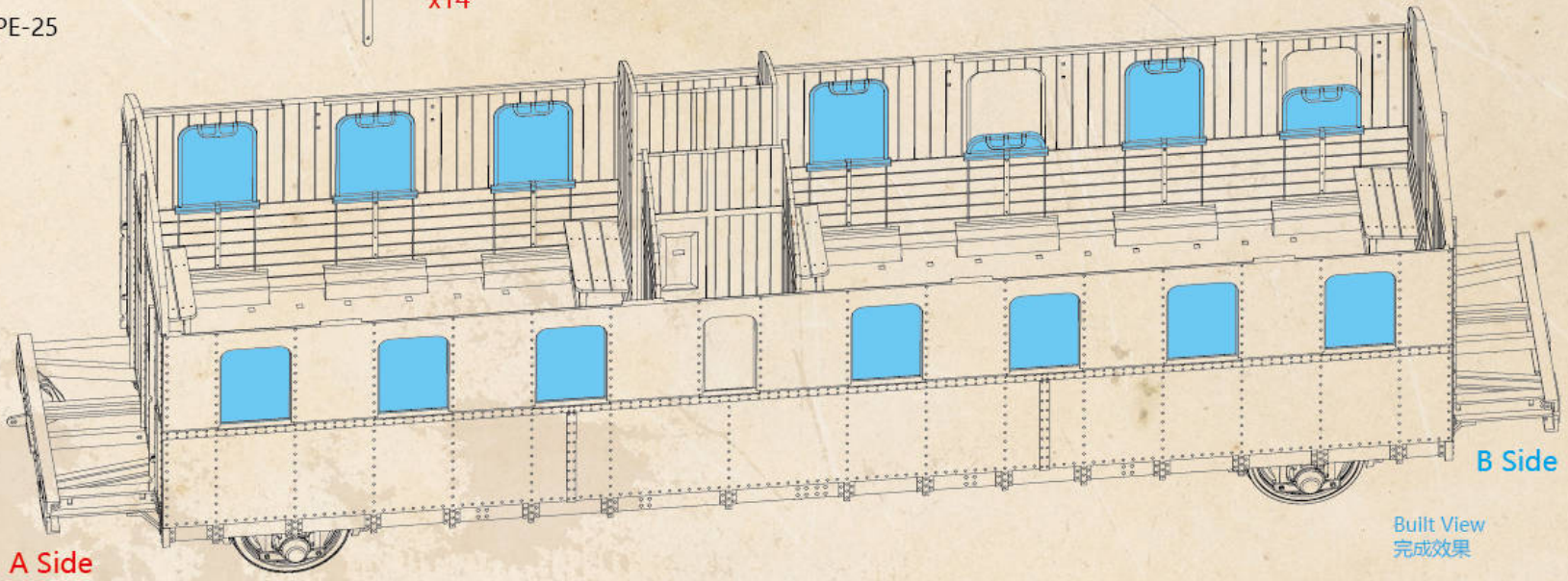
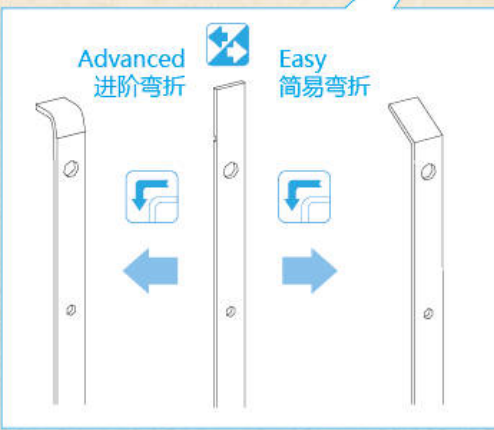
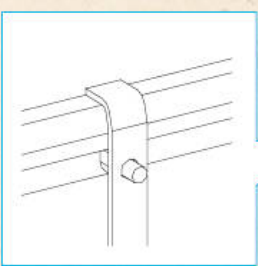


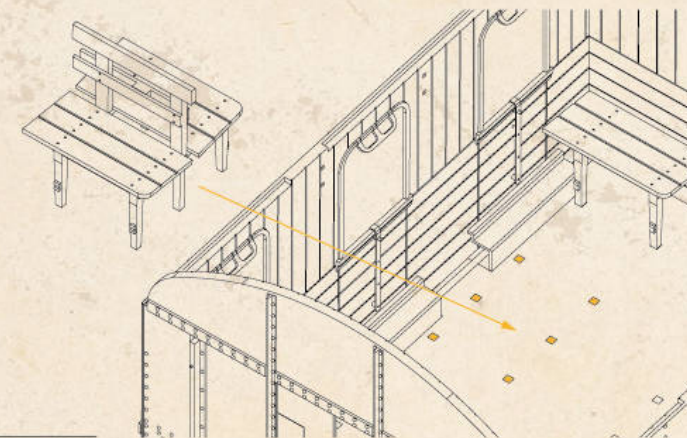
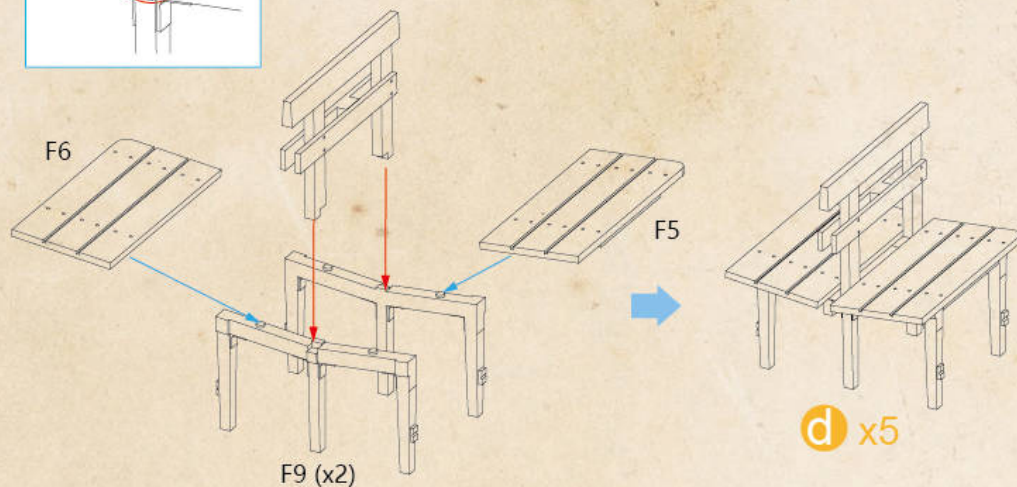
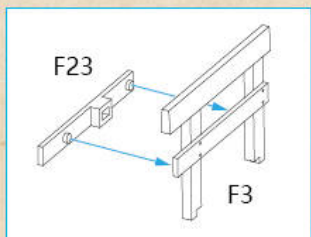
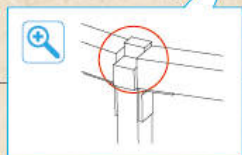
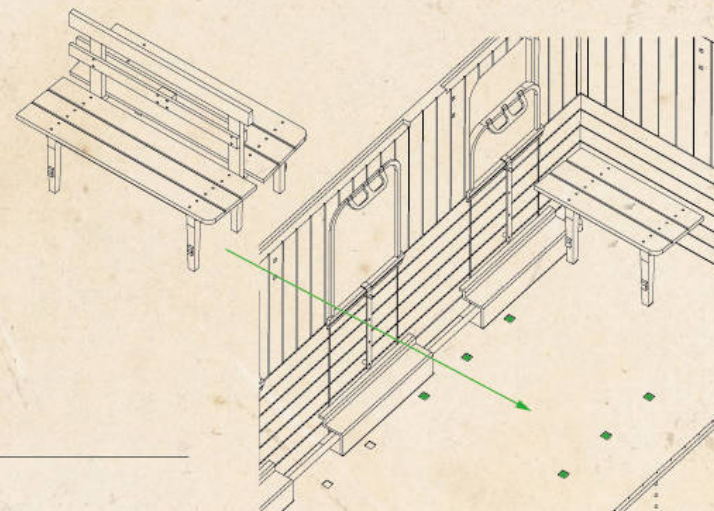
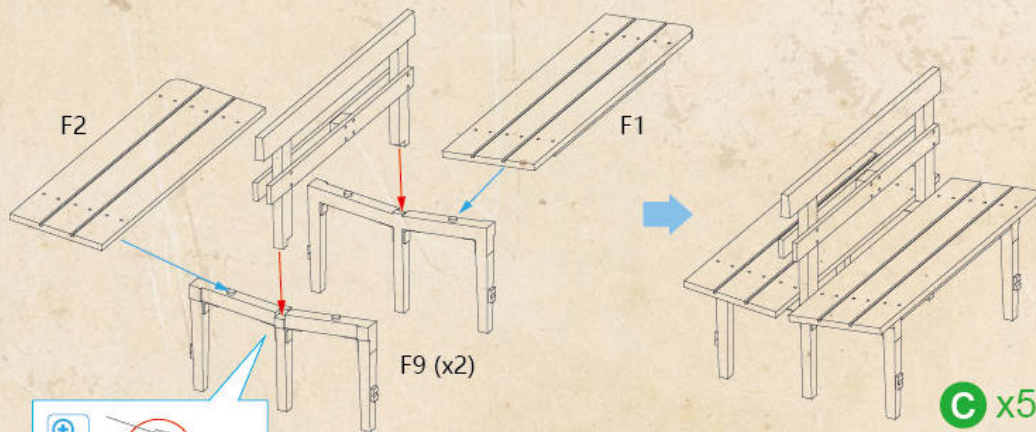
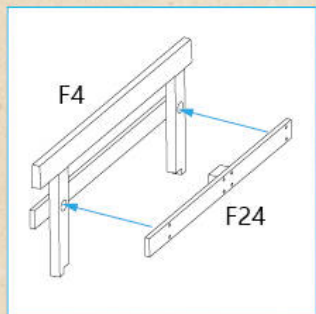


17



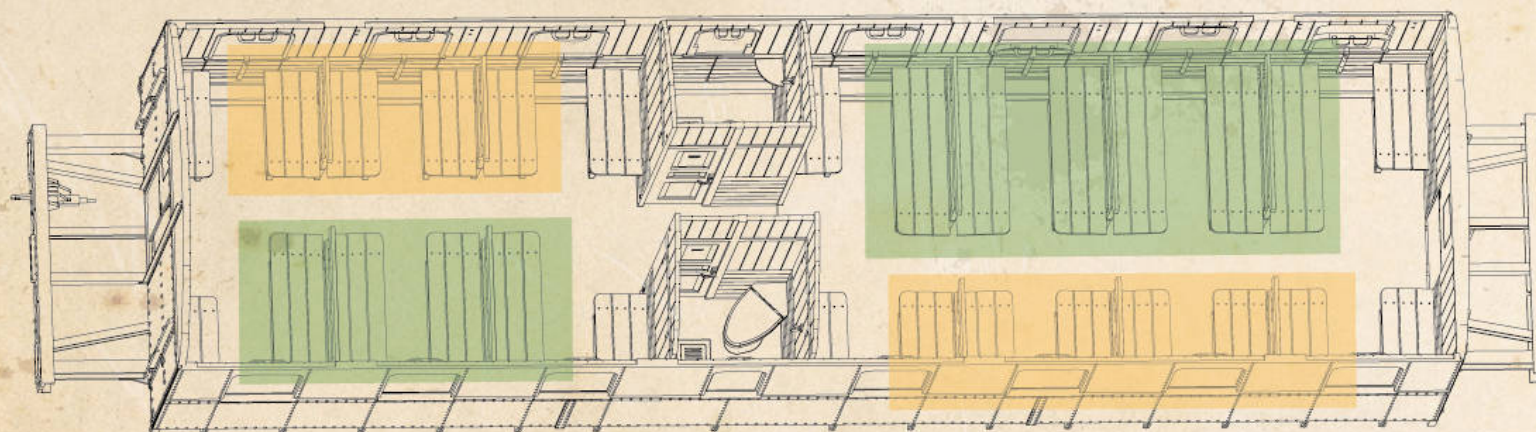
▲TIPS
The entire vehicle total 14 Windows,
please choose freely
整车共计14个窗户, 请自由选择安装





A Side

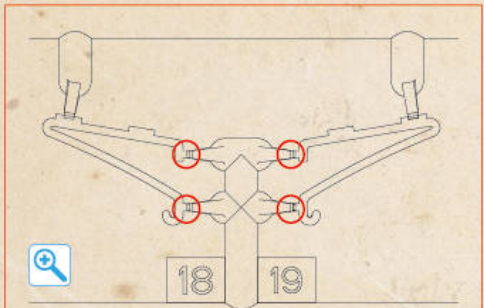
B Side



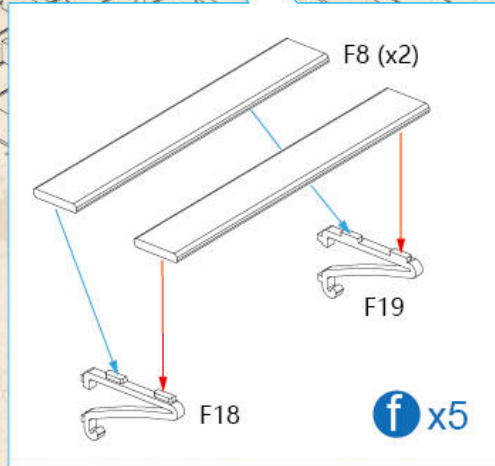
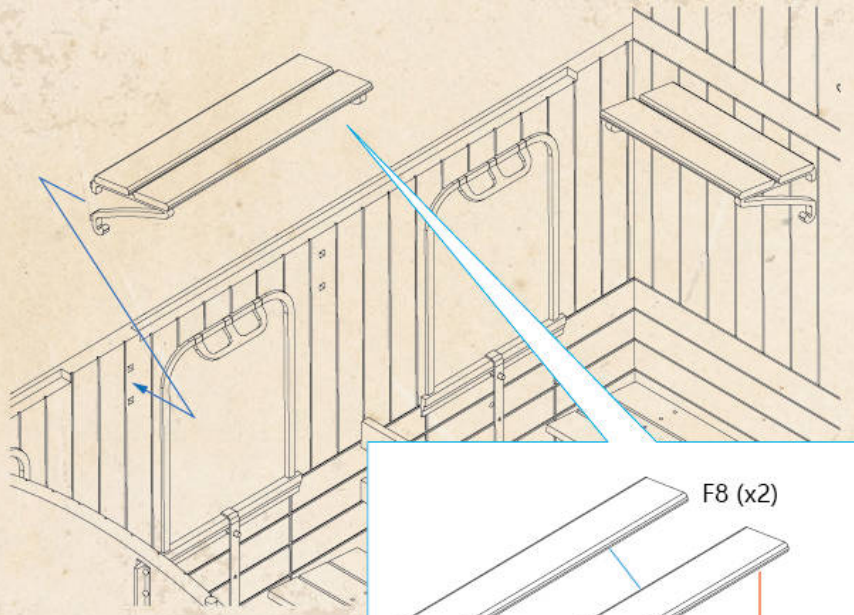
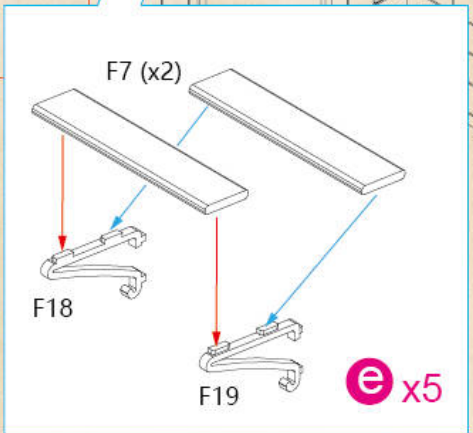
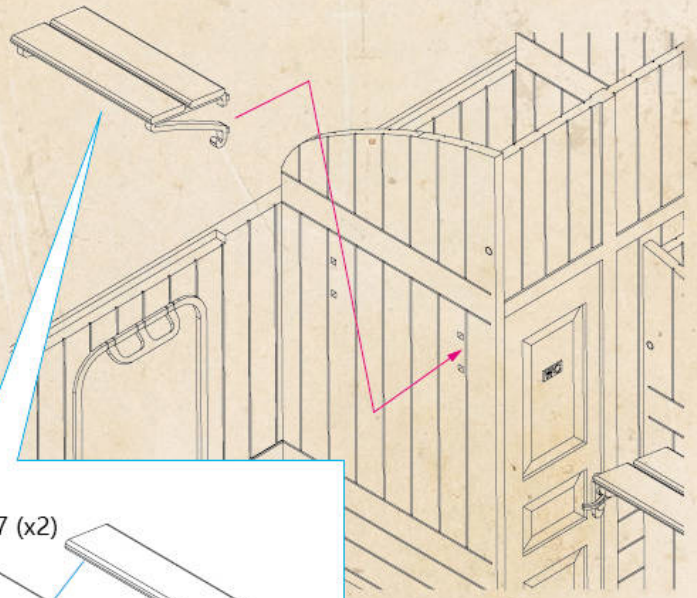
c x5

Built View
完成效果

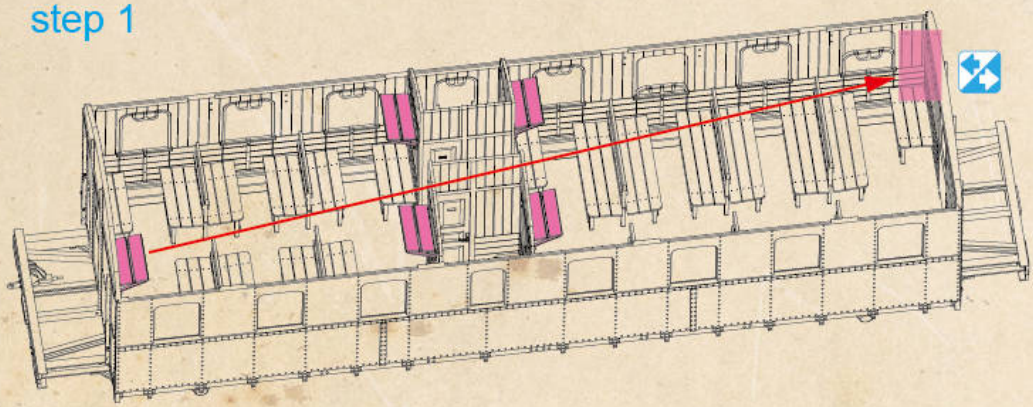
d x5



▲TIPS
Please pay attention to the
positioning points when cutting
切取时注意定位点



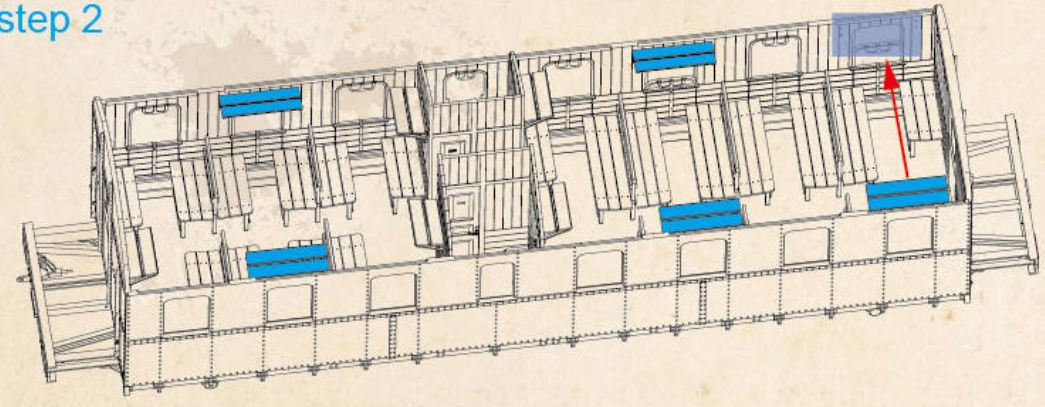
step 1



A Side

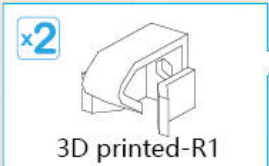
B Side

step 2

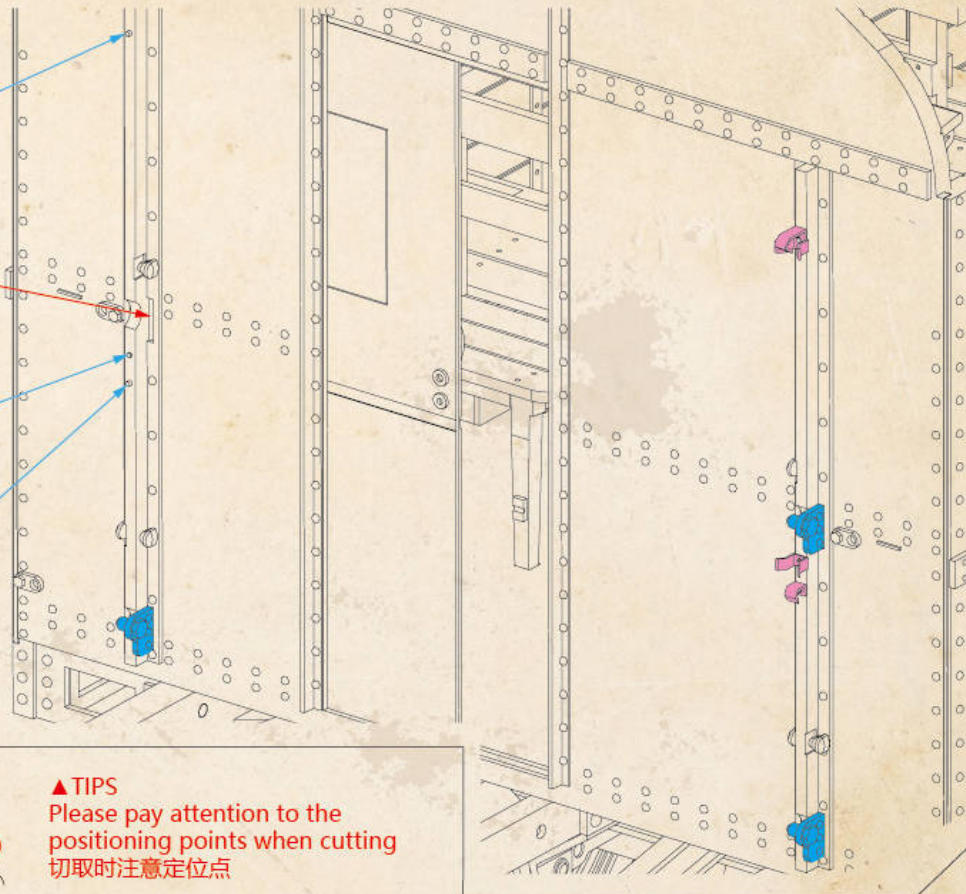
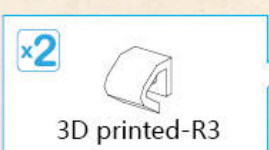
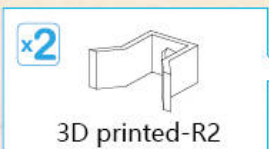


A Side

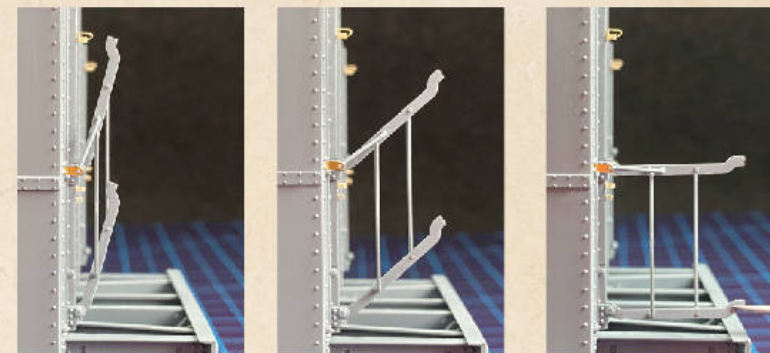
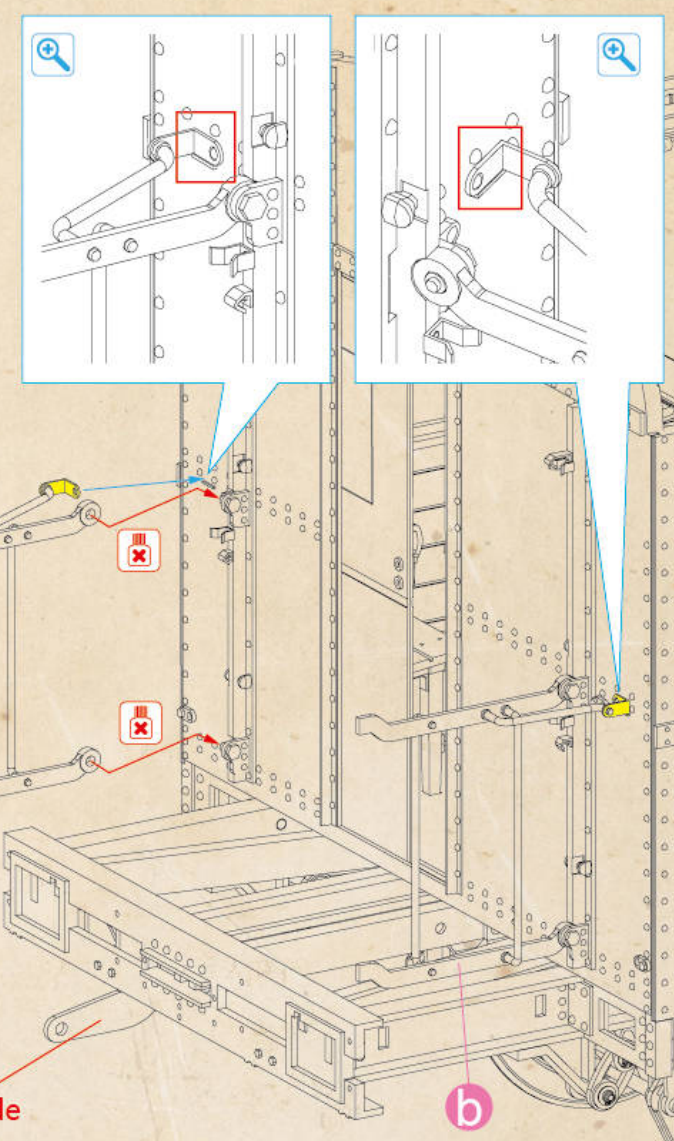
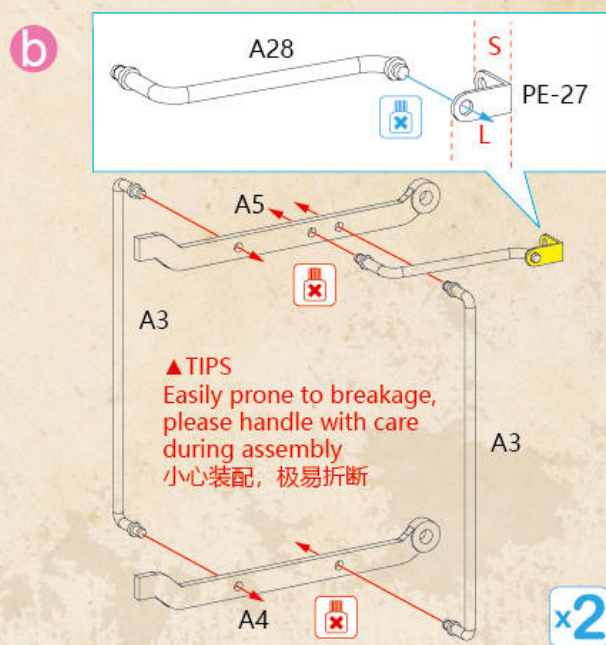
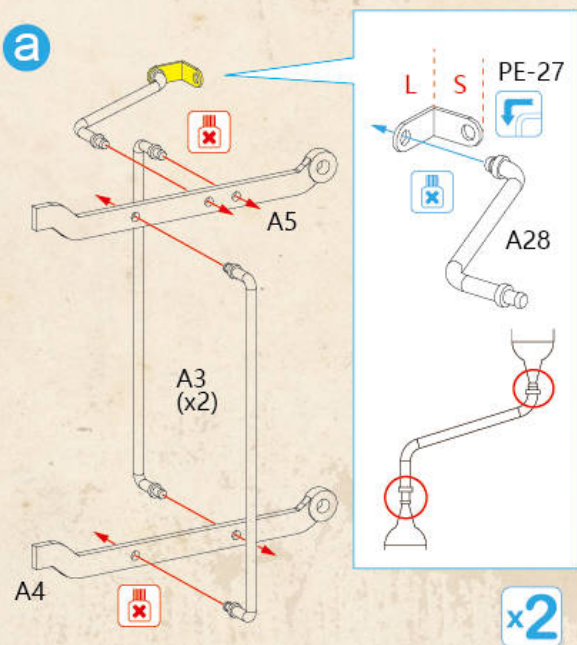
B Side



F14 (x4)

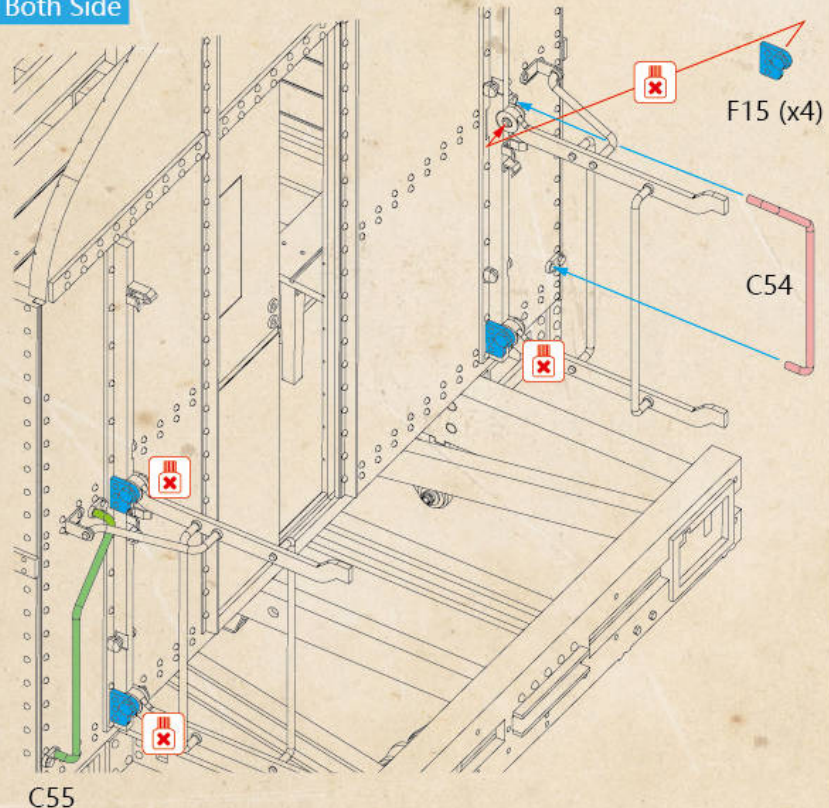


▲TIPS
Please pay attention to the positioning points when cutting
切取时注意定位点

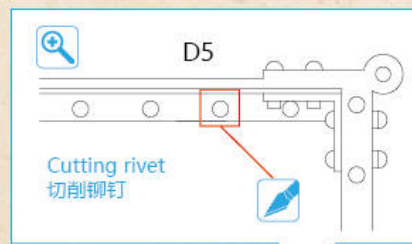


▲TIPS
Activity parts diagram 可活动组件示意图

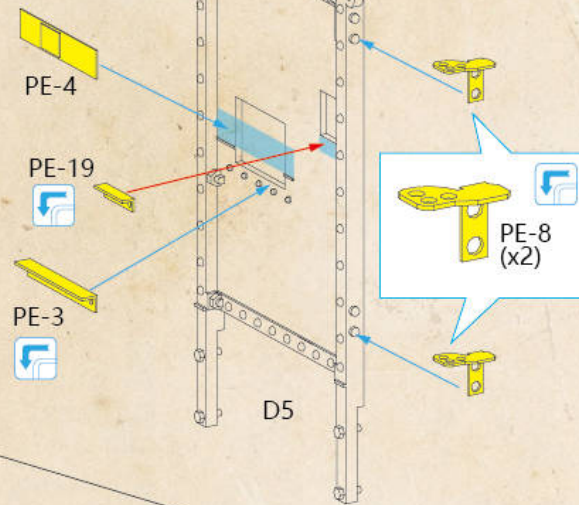
Both Side



21

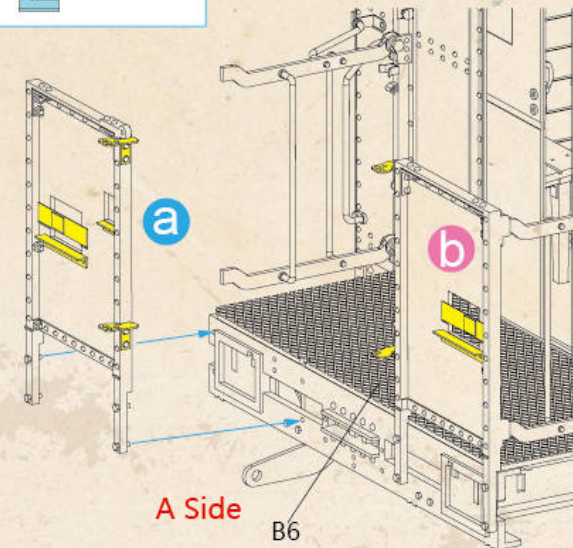
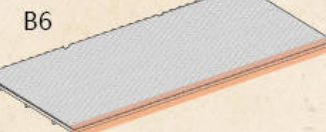
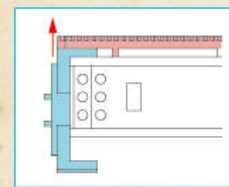


a x1



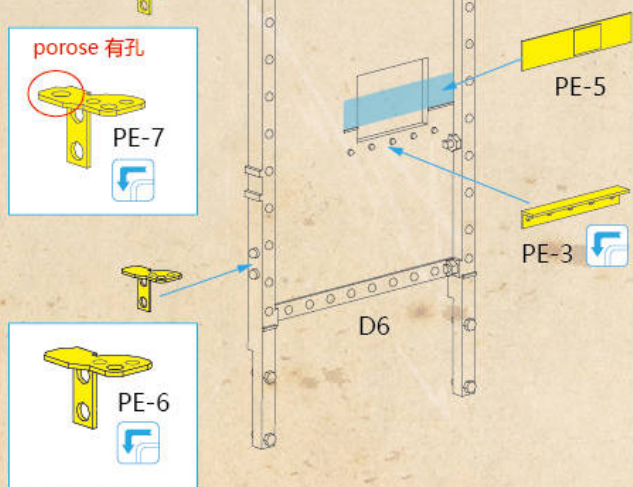
▲TIPS

If the position of the red arrows cannot be flush, the shadow section can be properly polished
如果红色箭头的位置不能齐平, 可适当打磨阴影截面

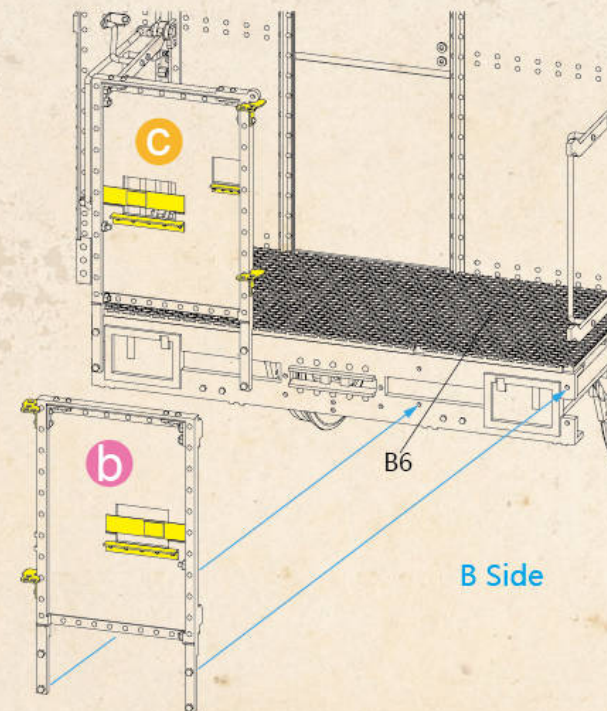
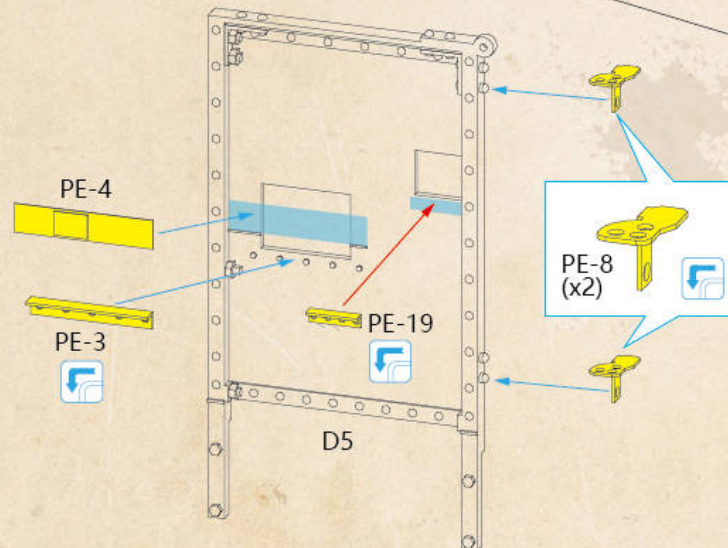


A Side

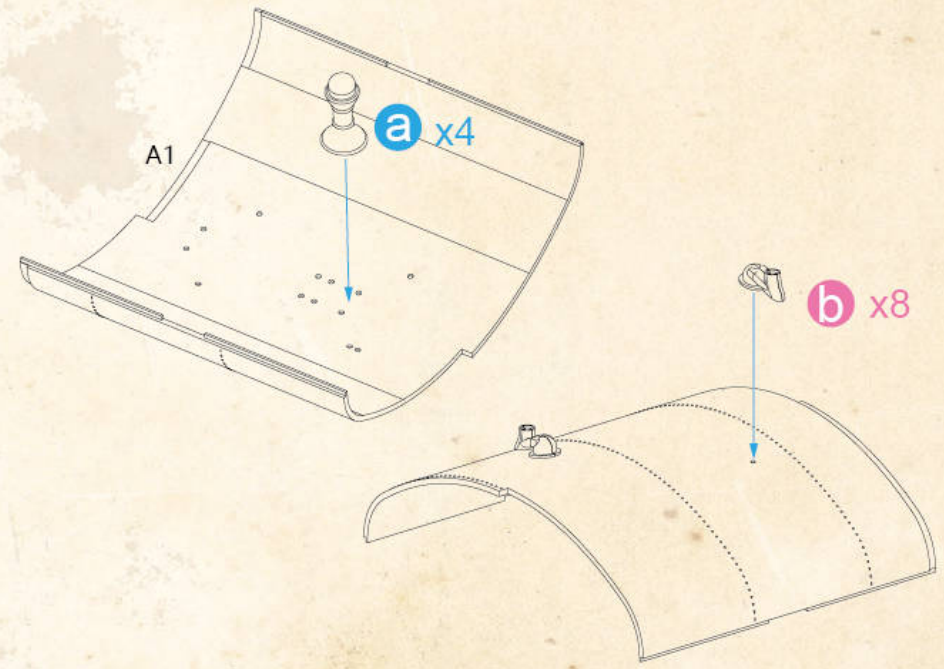
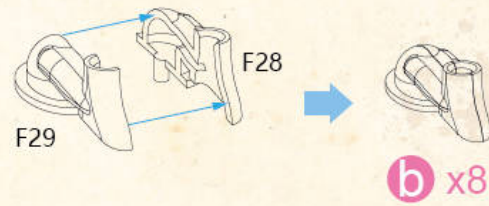
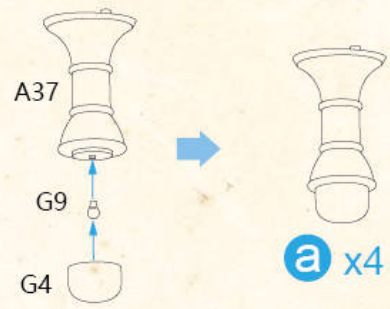
b x2



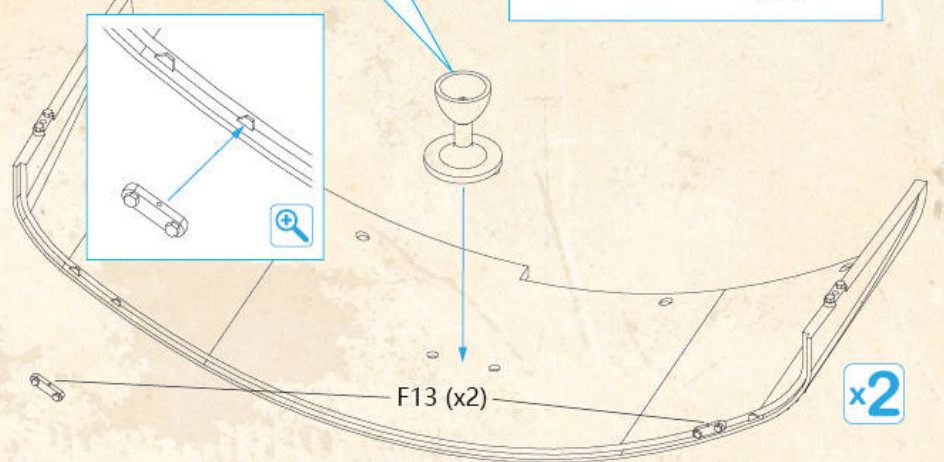
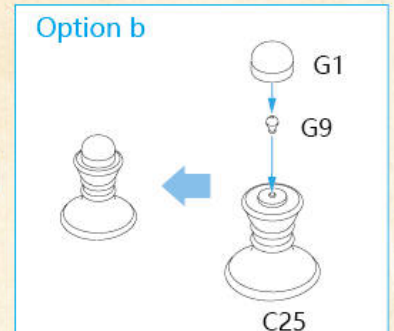
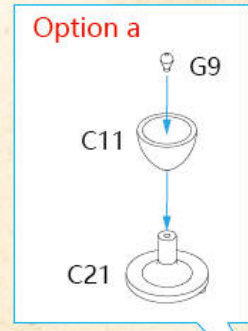
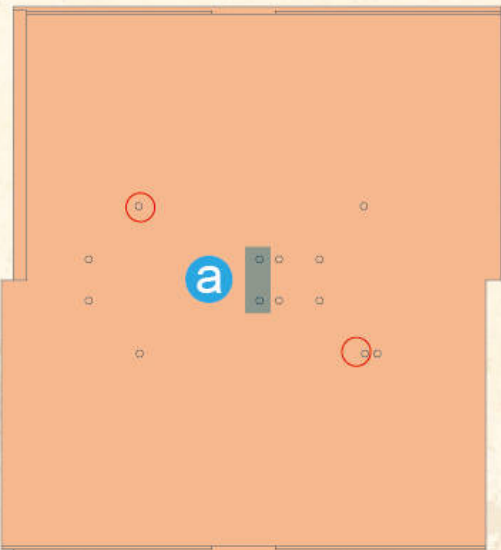
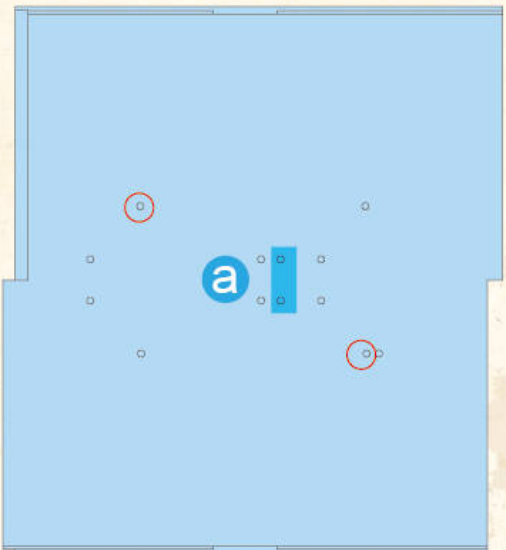
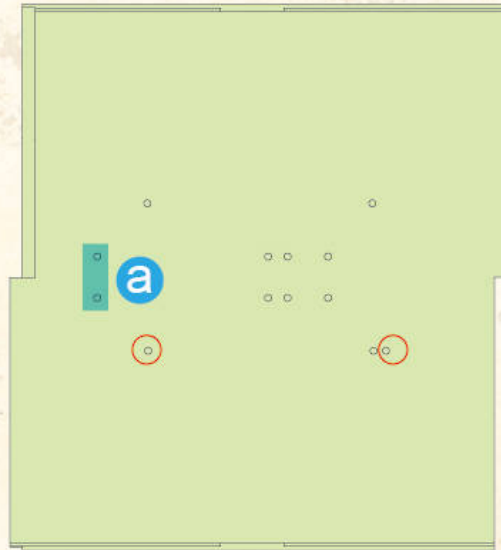
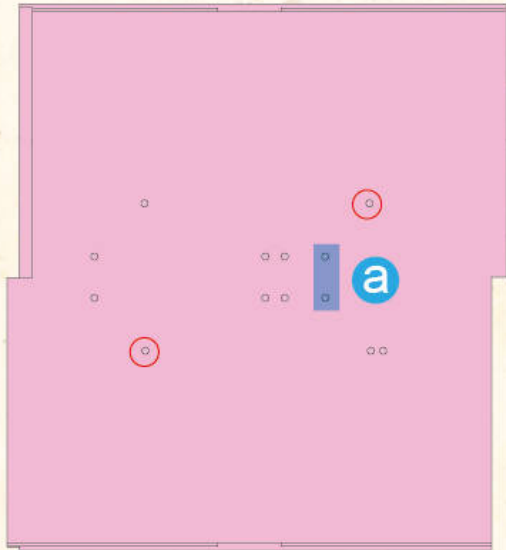
c x1



B Side



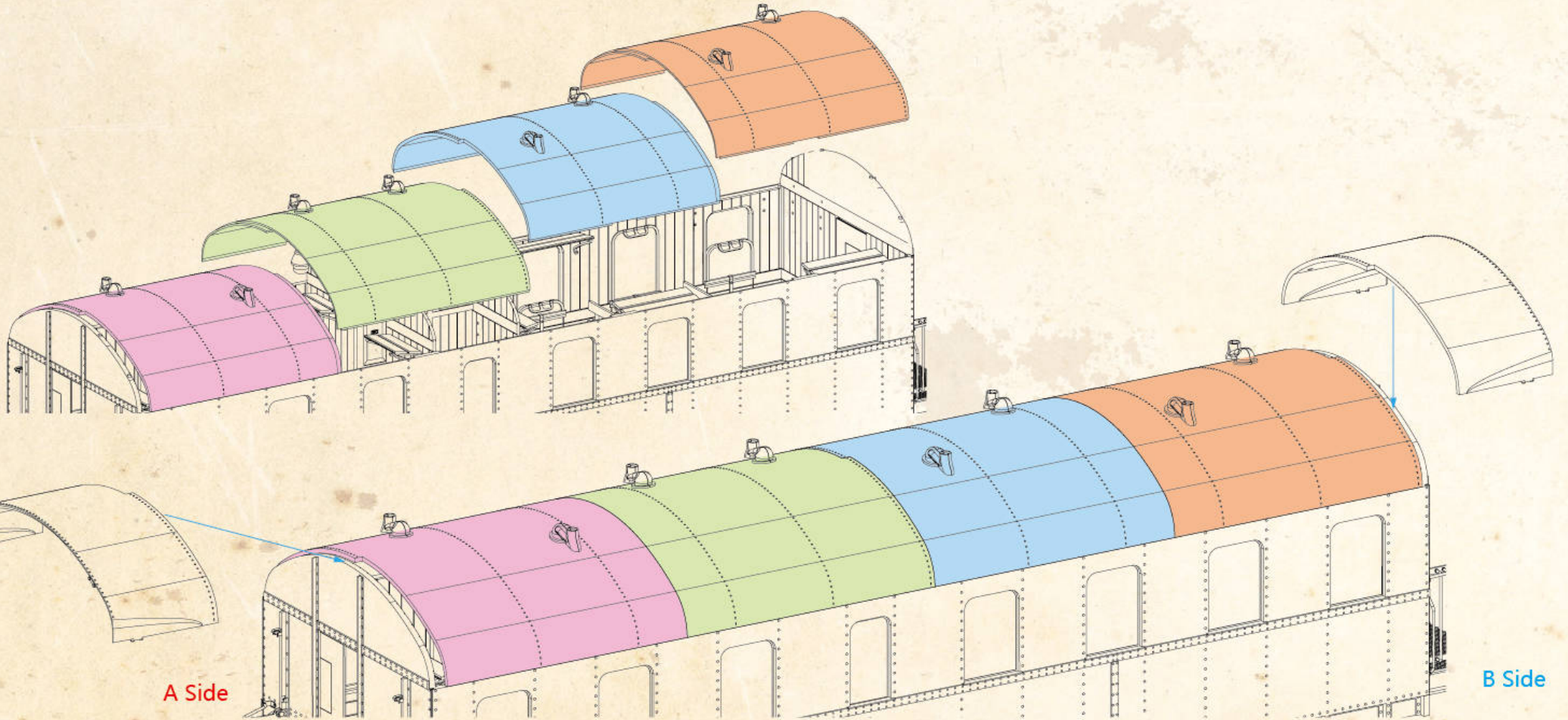
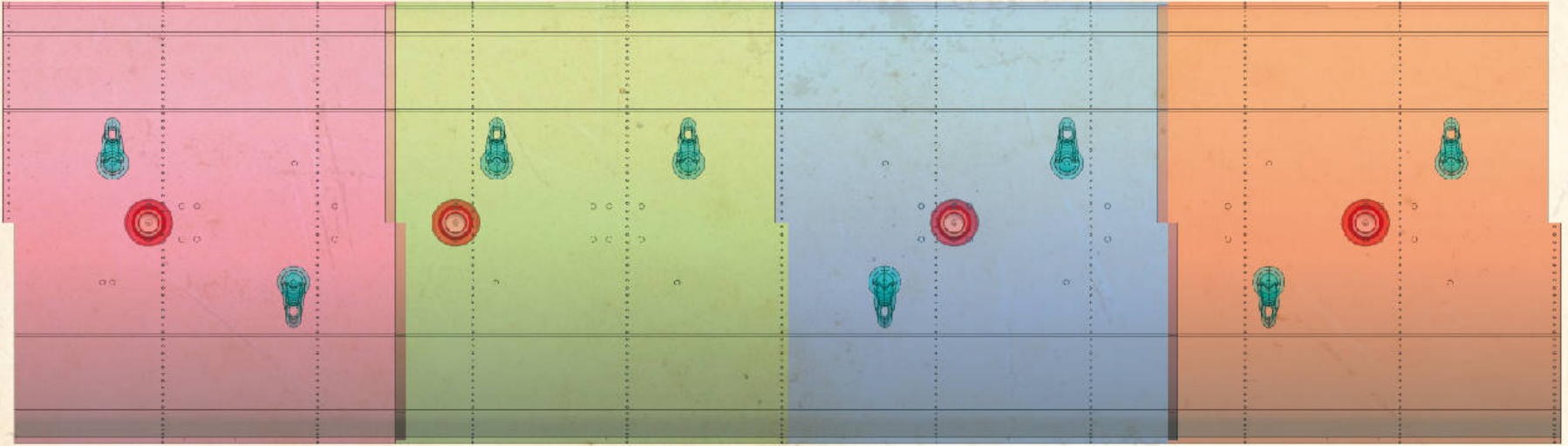
back of A1 (x4) 1.1mm (x8)



Vertical view 俯视图

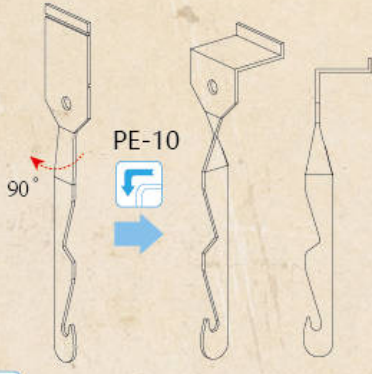
180°

180°

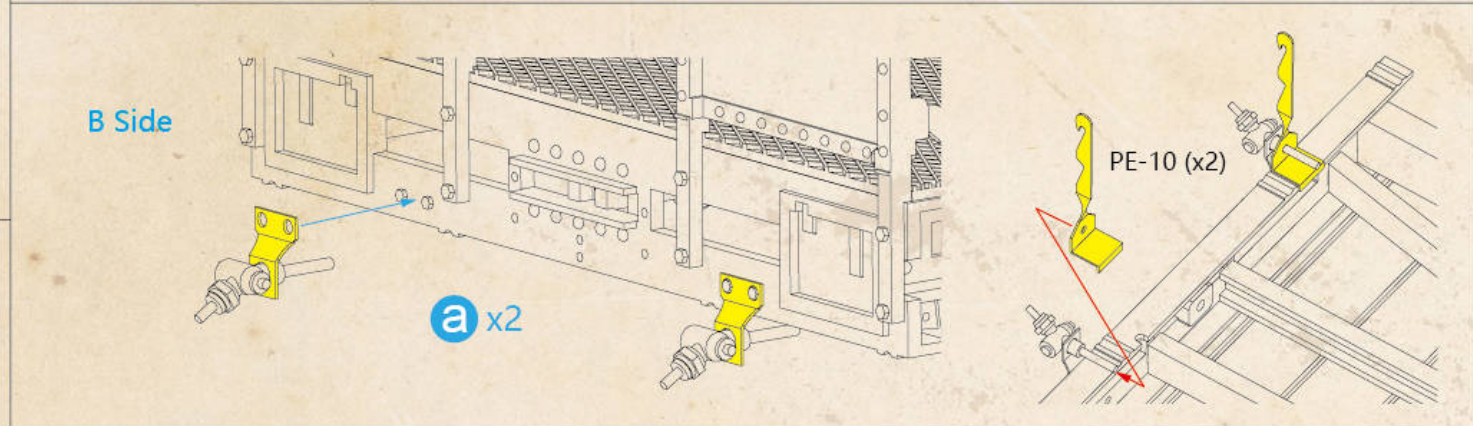
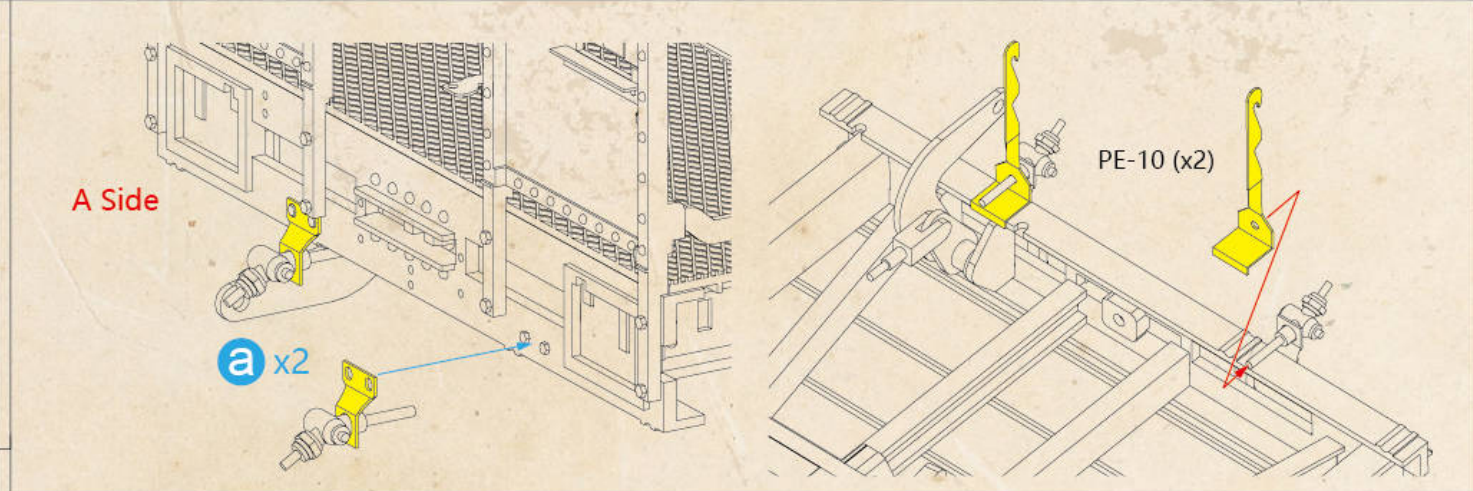
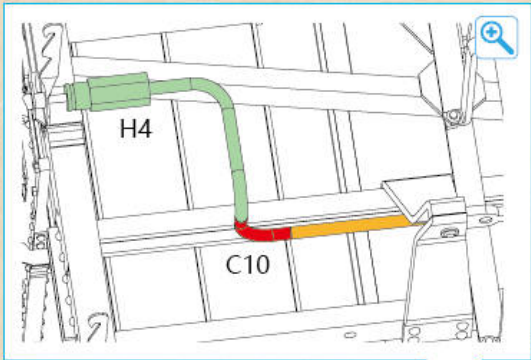
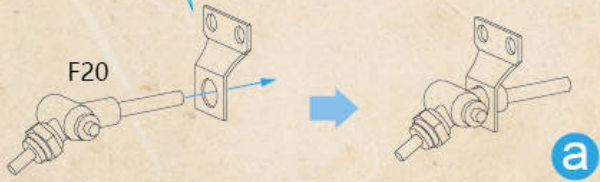


A Side

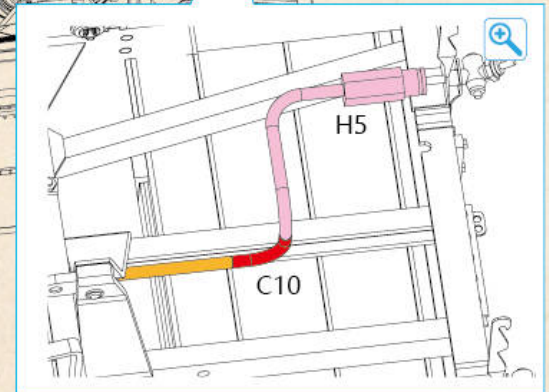
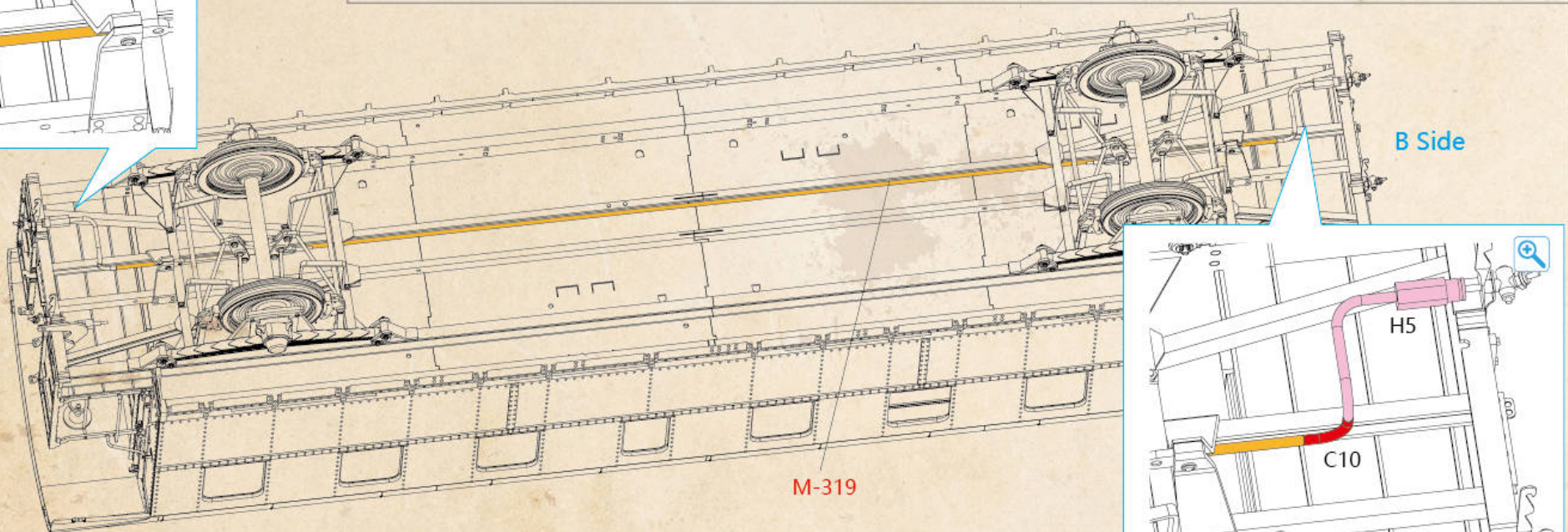
B Side

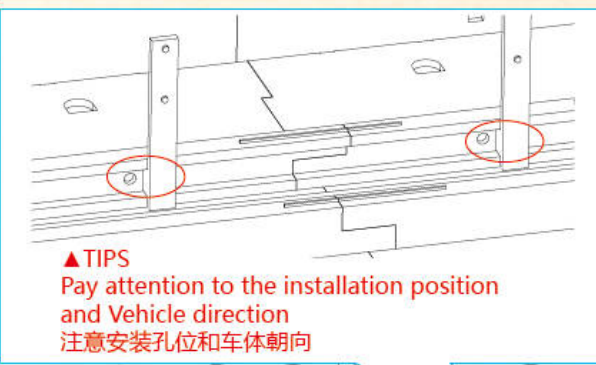


x4

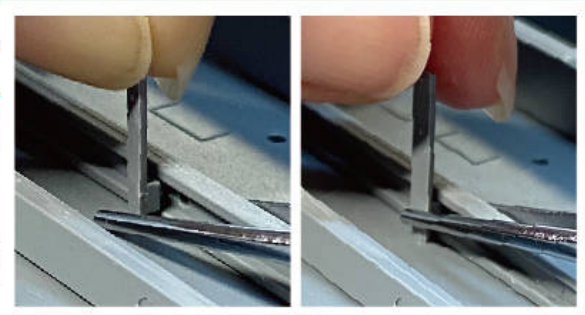


A Side

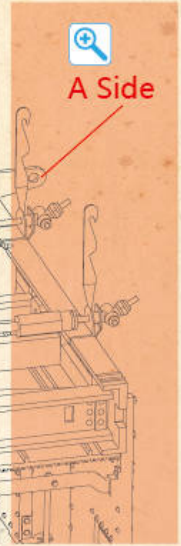




F12 (x4)



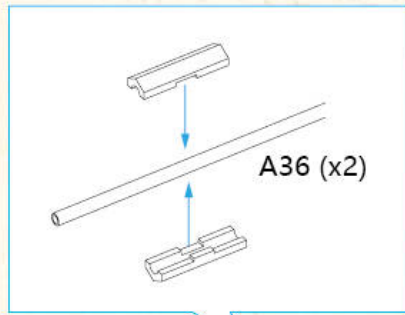
Clamp and install with flat tweezers
请使用平头镊子夹压安装



A Side



B Side

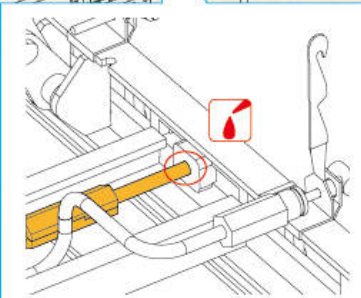


8mm

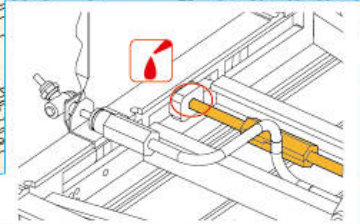
M-172 x2

B Side

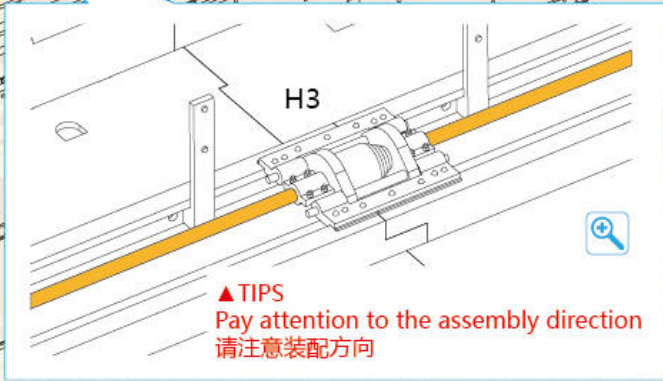
A Side



Do not penetrate.
Super glue is recommended
不要穿透, 推荐使用强力胶

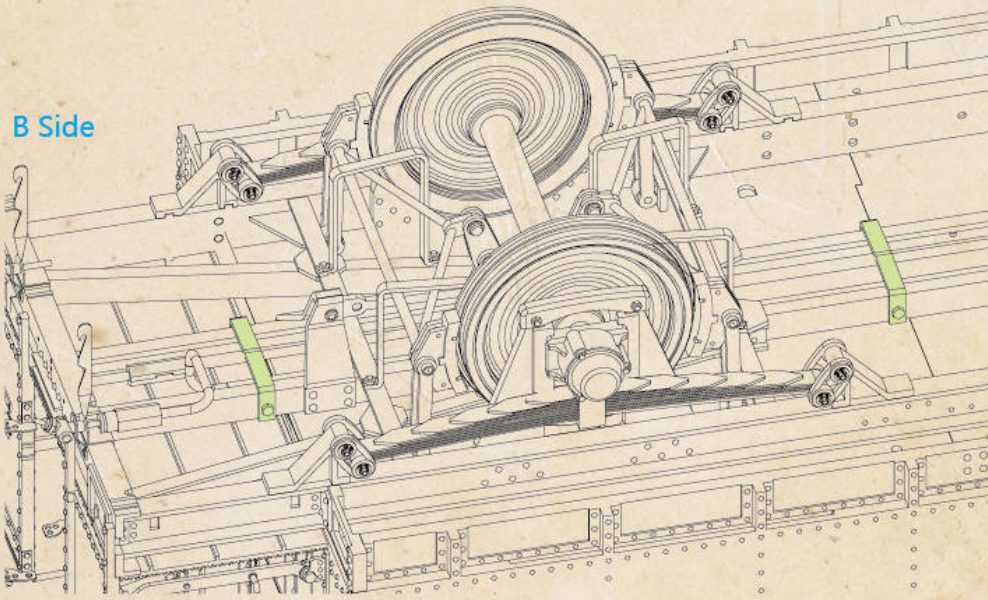


Do not penetrate.
Super glue is recommended
不要穿透, 推荐使用强力胶



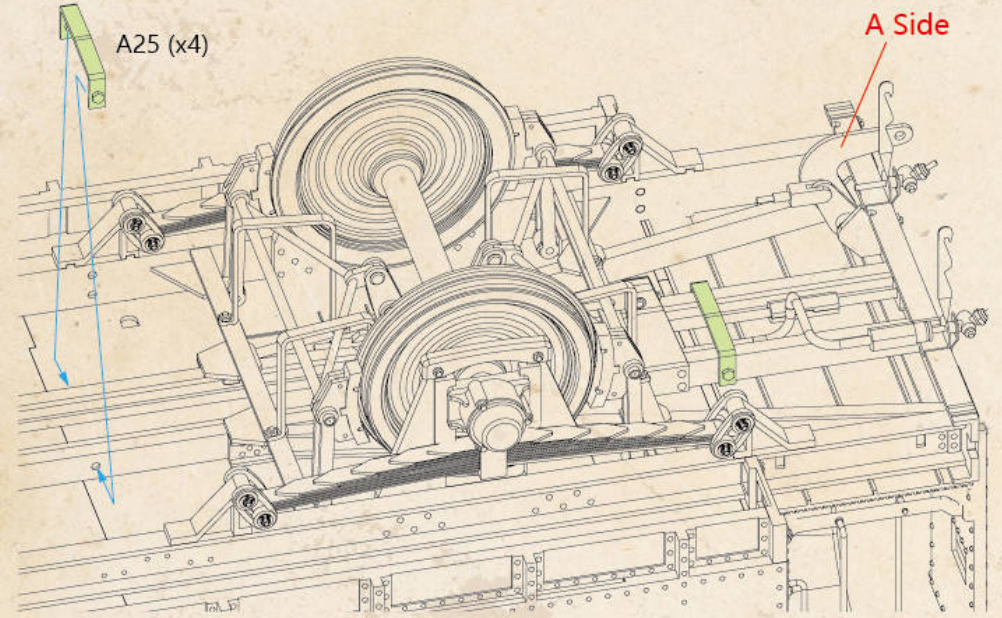
▲ TIPS
Pay attention to the assembly direction
请注意装配方向

B Side



A25 (x4)

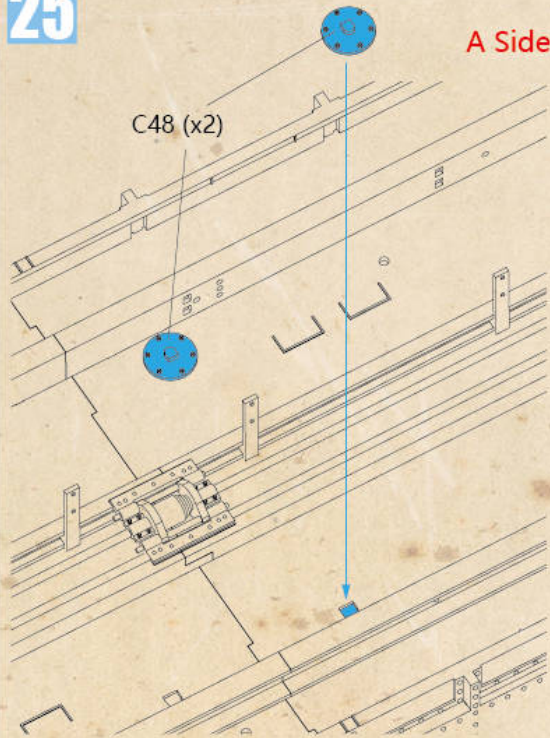
A Side



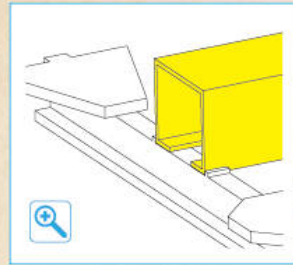
25

A Side

C48 (x2)



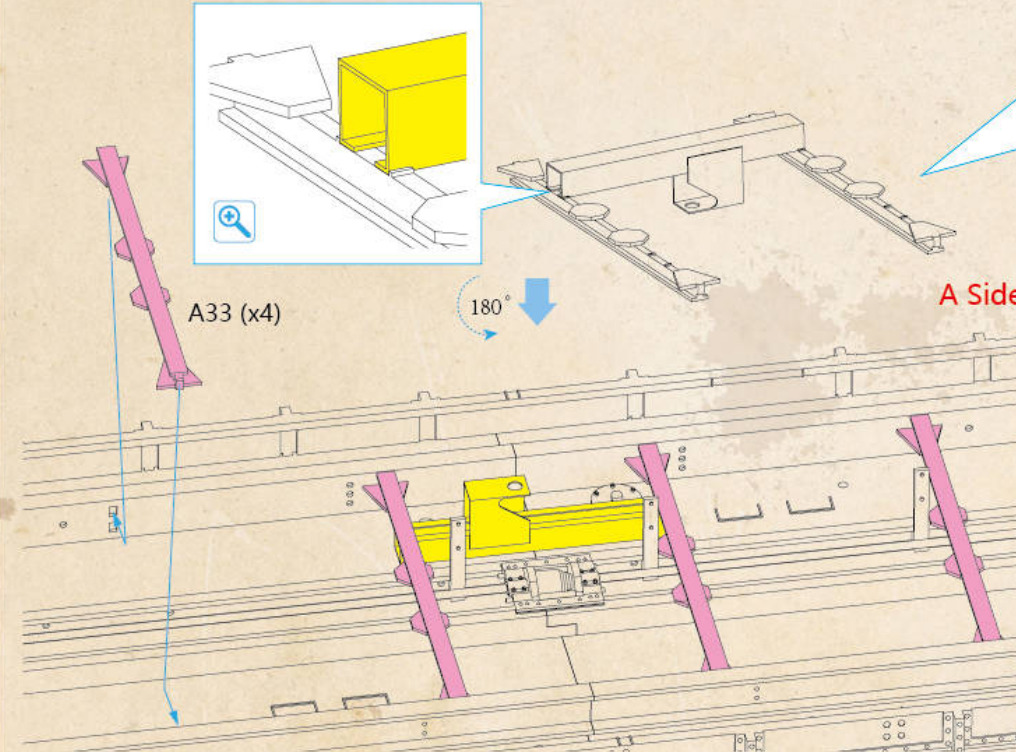
B Side



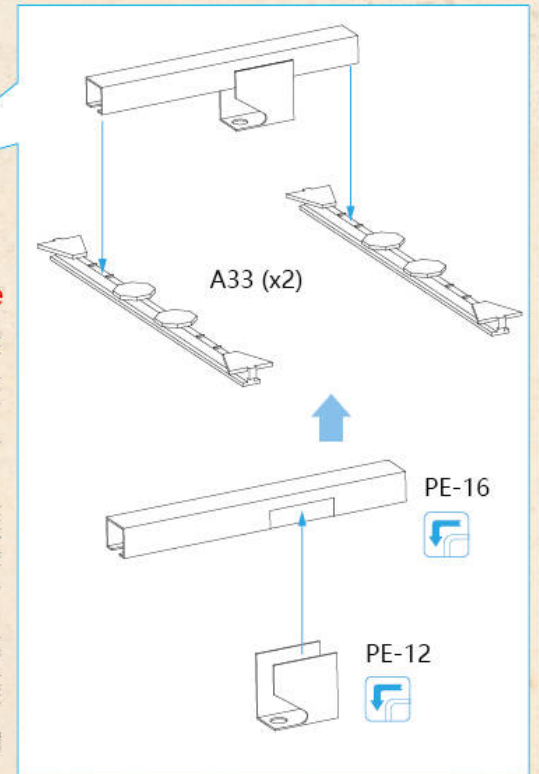
A33 (x4)

180°

A Side



B Side

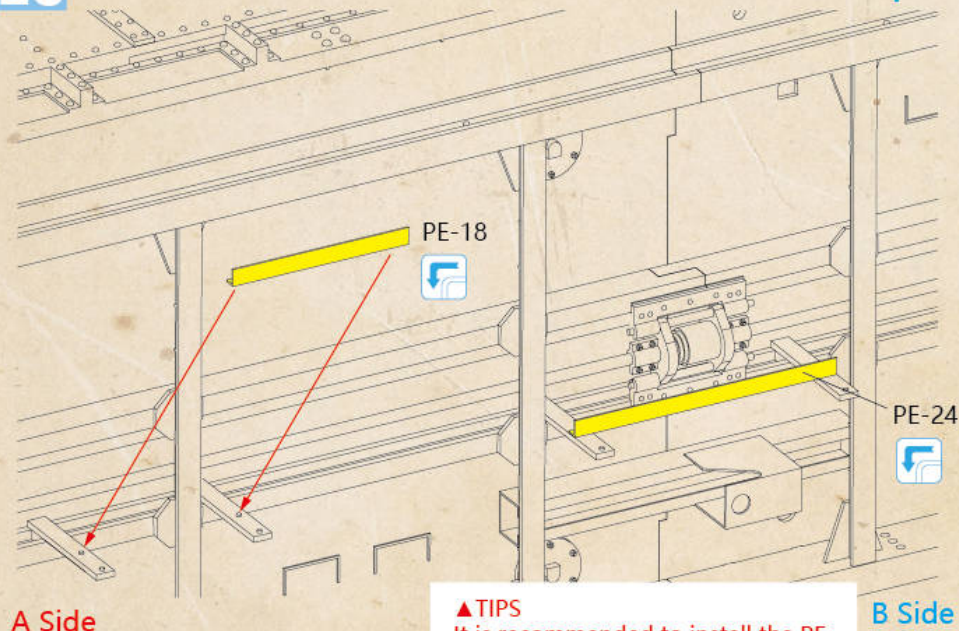


A33 (x2)

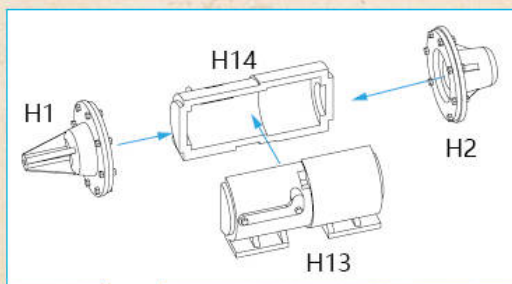
PE-16

PE-12

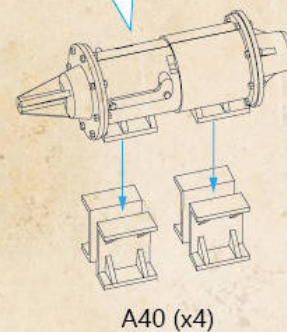
step 1



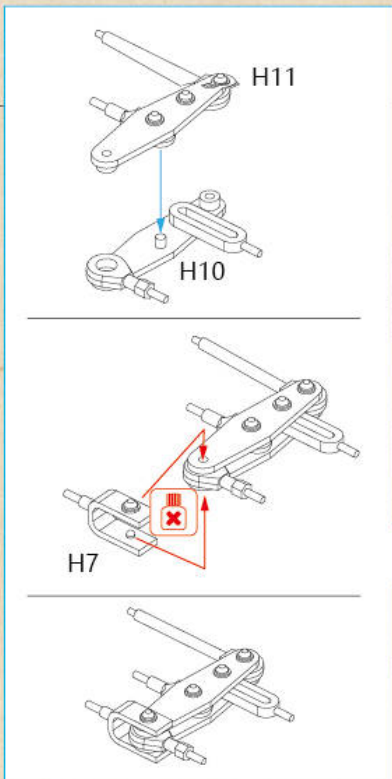
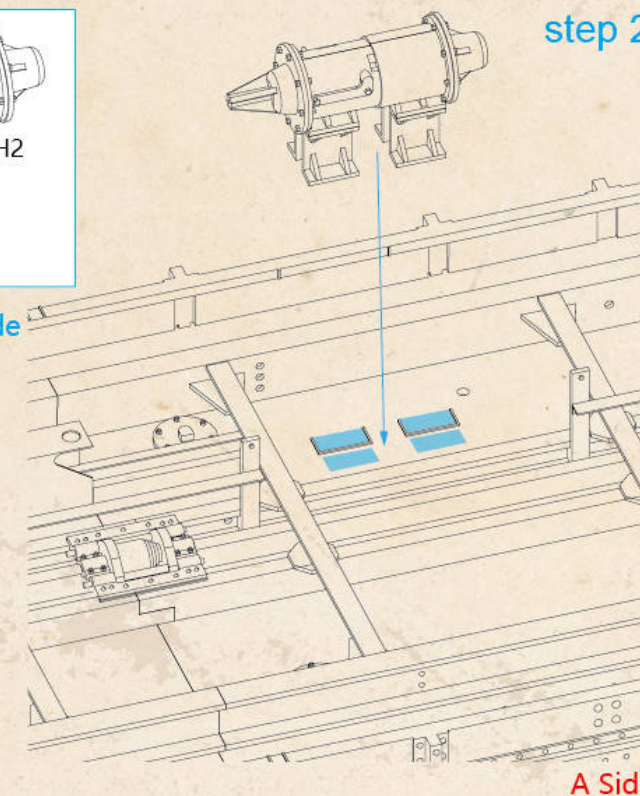
▲TIPS
It is recommended to install the PE with the vehicle lying on its side according to the schematic diagram
建议车身侧躺后安装PE



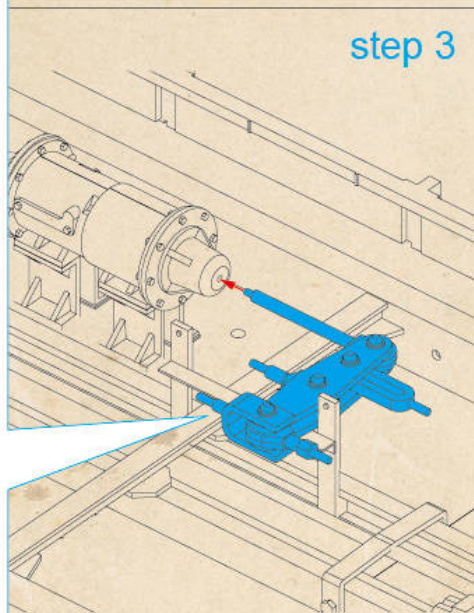
B Side



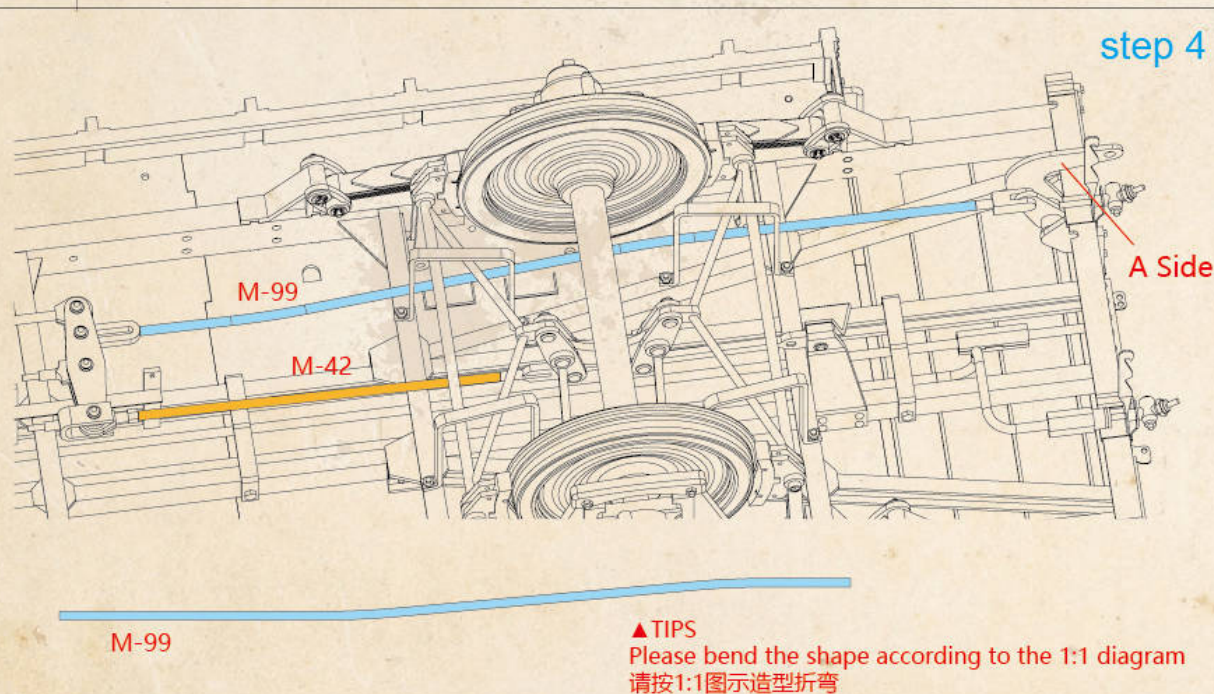
step 2

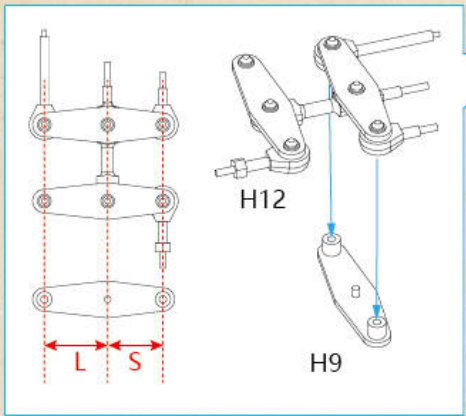


step 3

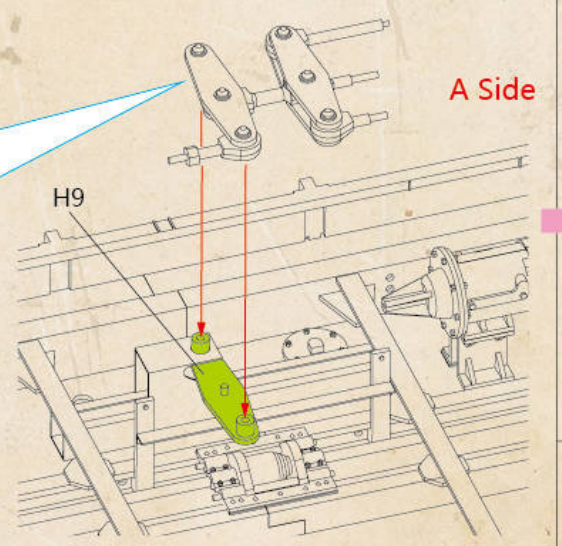


step 4

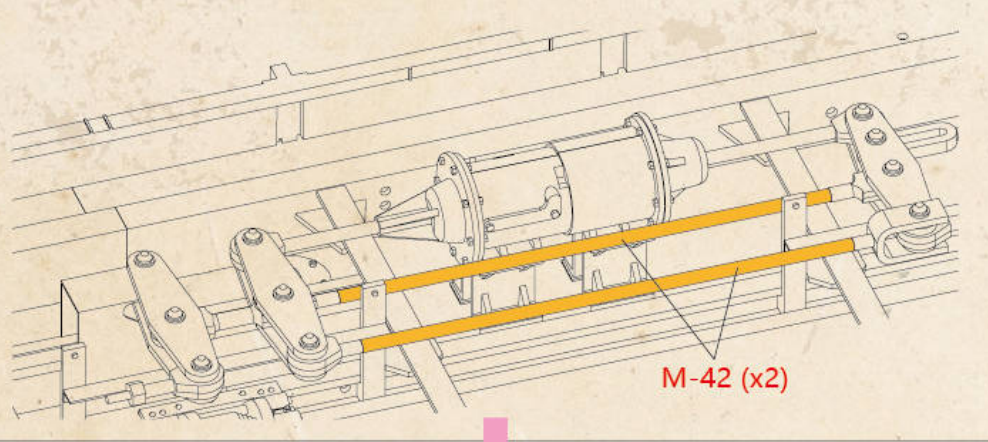




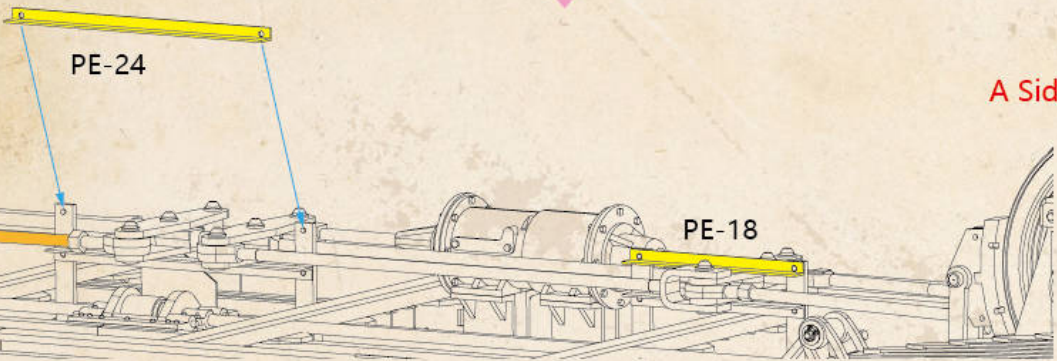
B Side



A Side

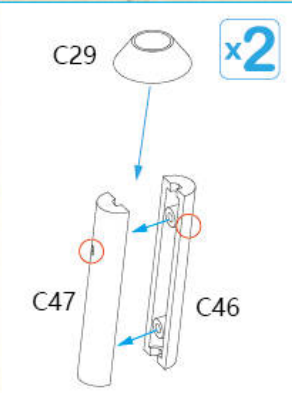
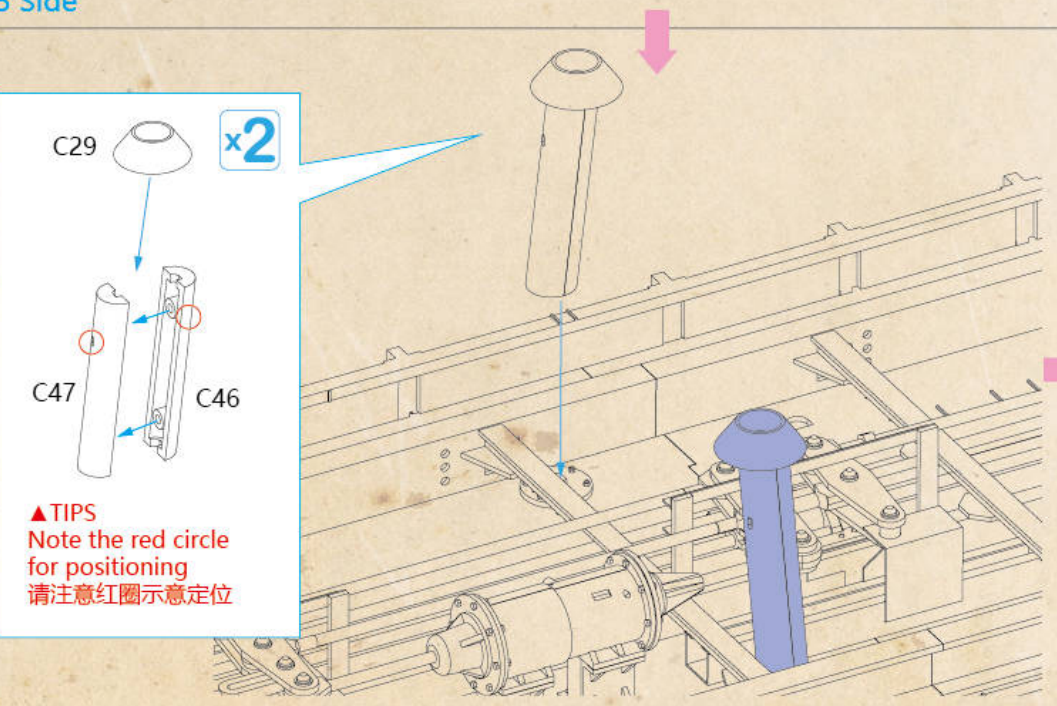


M-42 (x2)

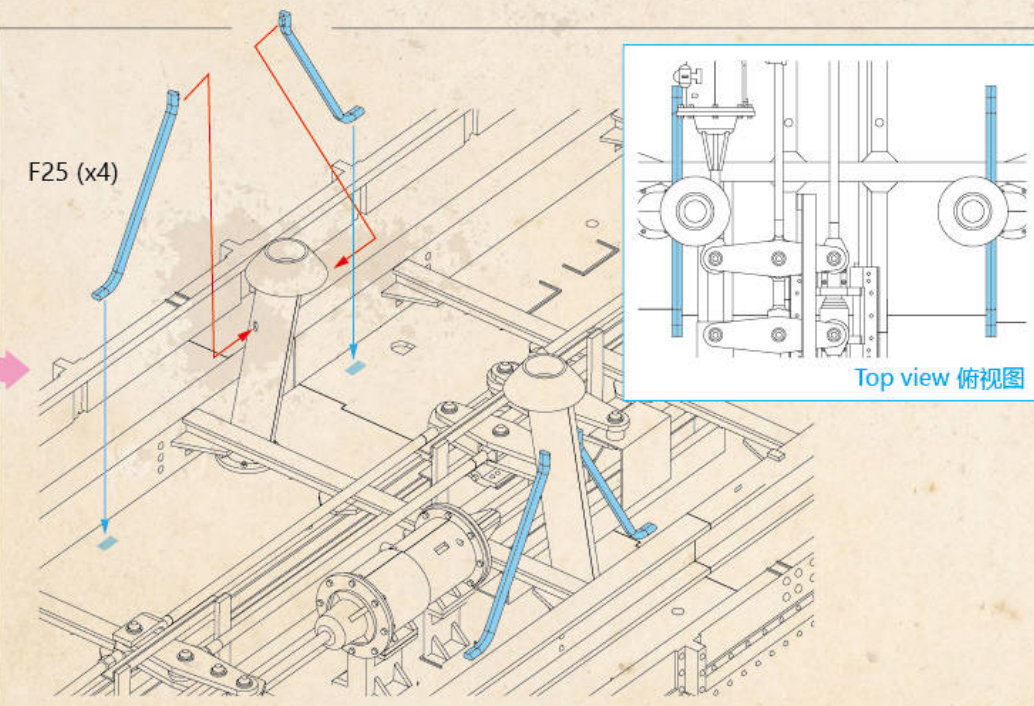


A Side

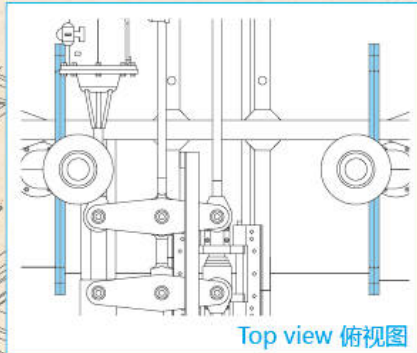
B Side



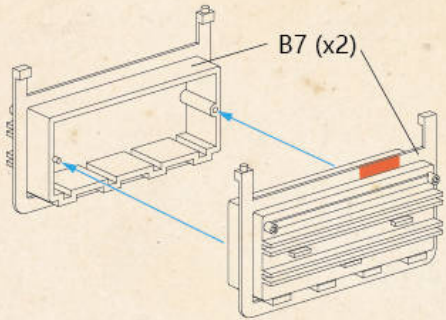
▲TIPS
Note the red circle
for positioning
请注意红圈示意定位



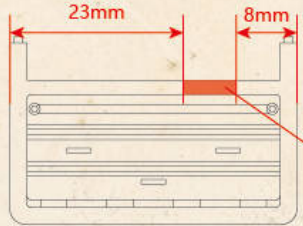
F25 (x4)



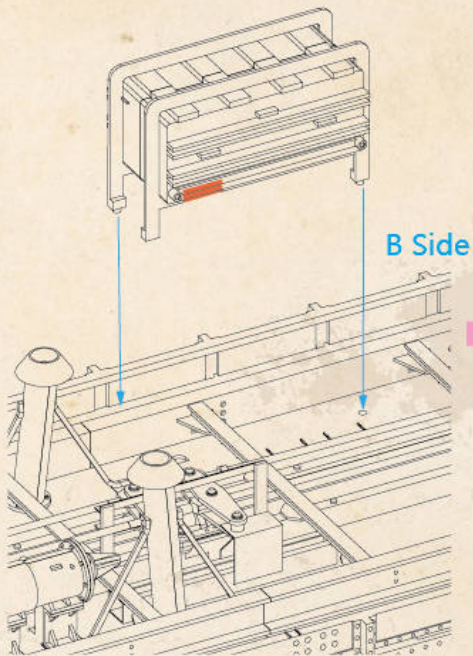
Top view 俯视图



B7 (x2)

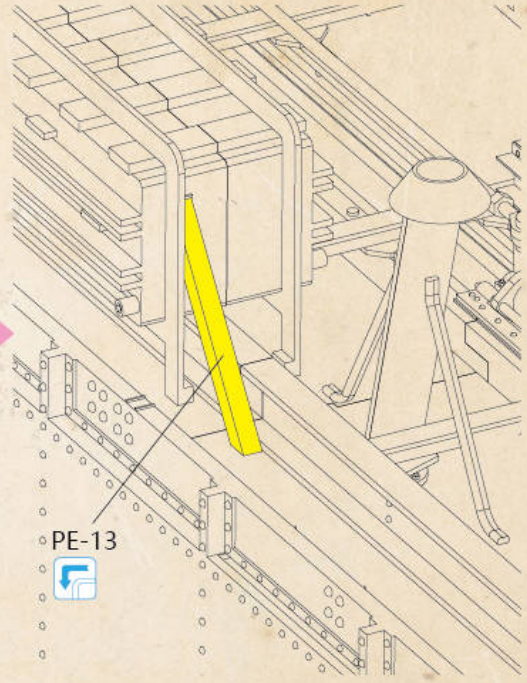


▲TIPS
One of B7 needs to cut the shadow
其中一个B7需要切除阴影部分

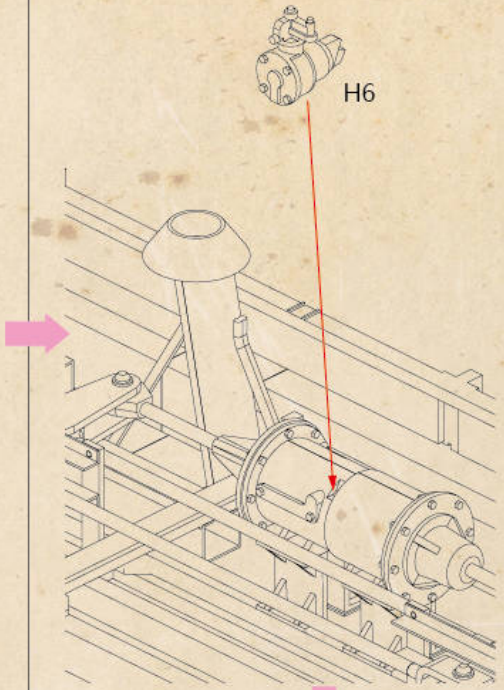


B Side

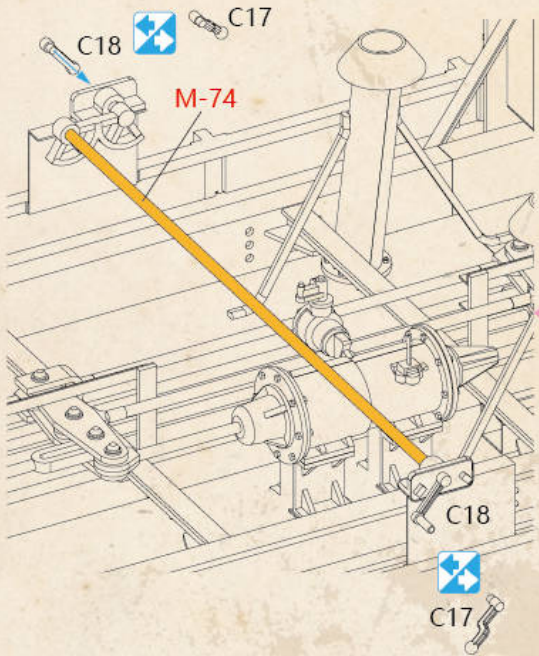
A Side



PE-13



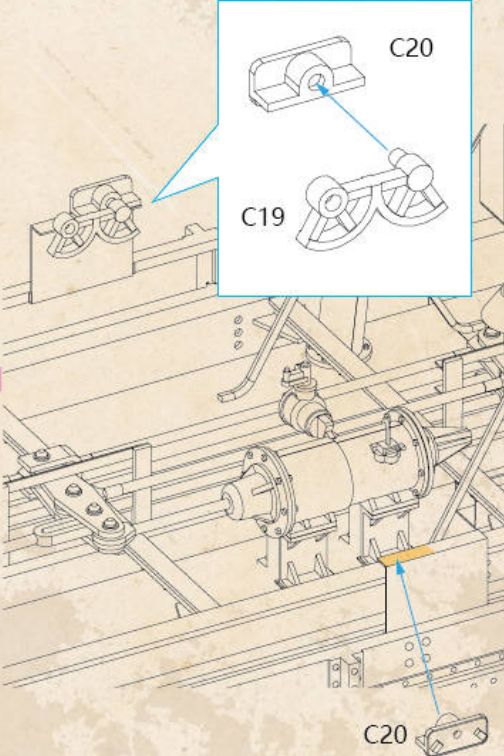
H6



M-74

C18

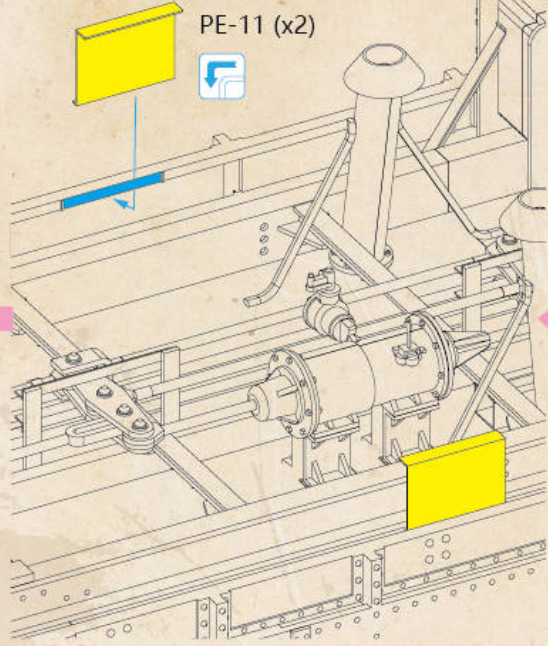
C17



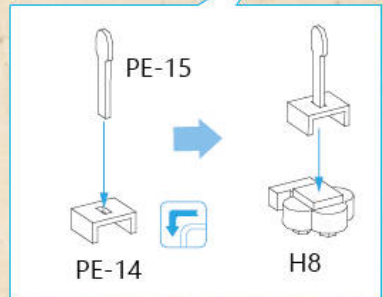
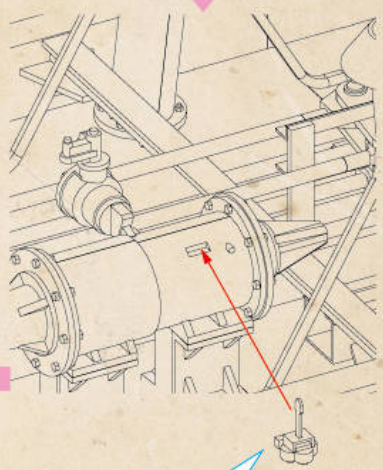
C20

C19

C20



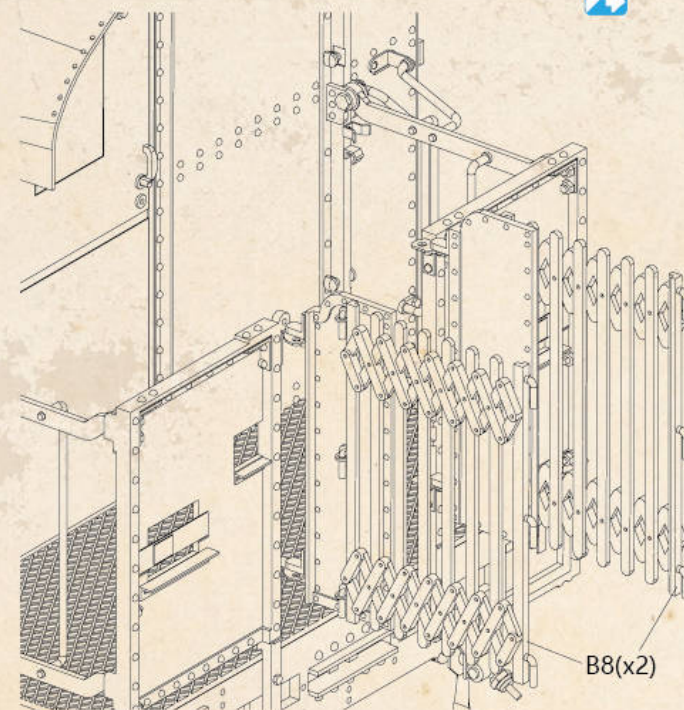
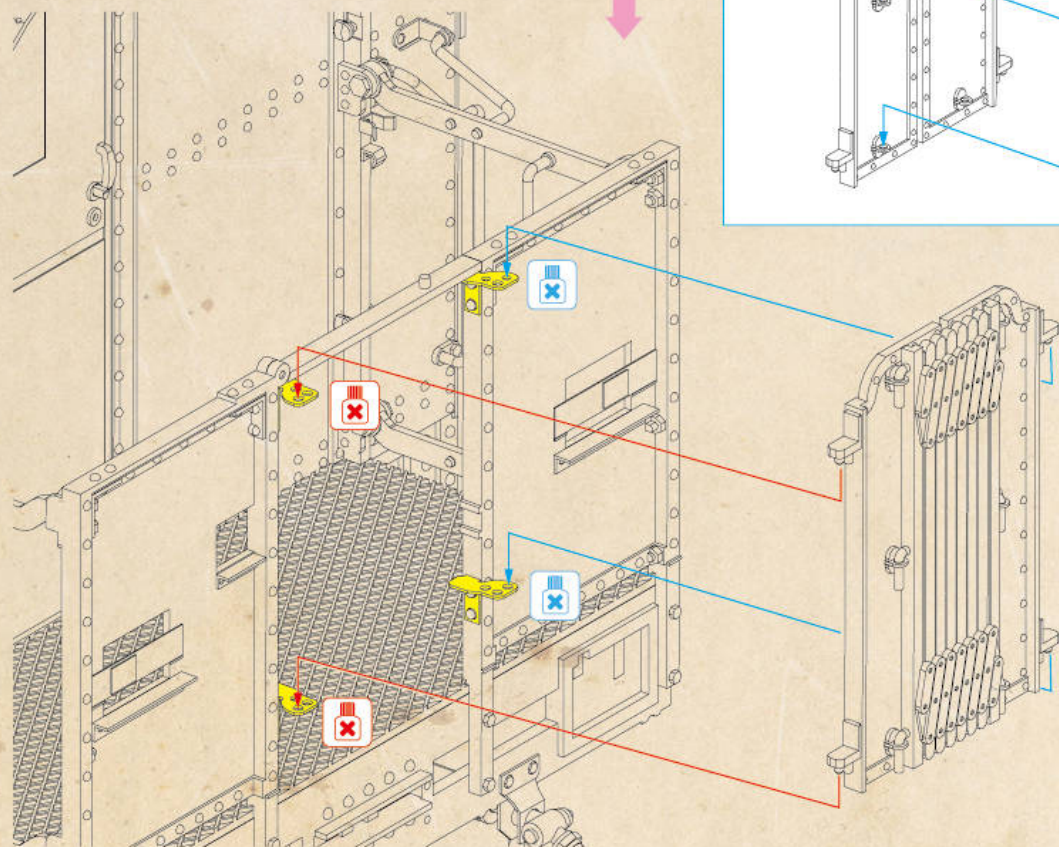
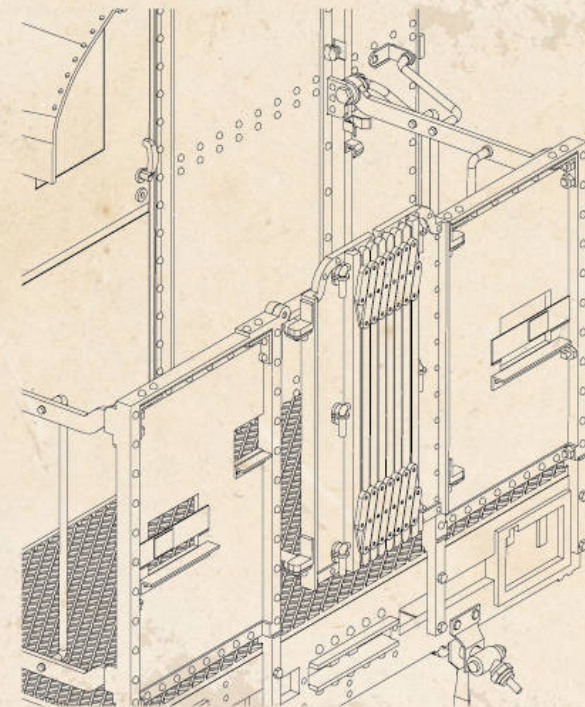
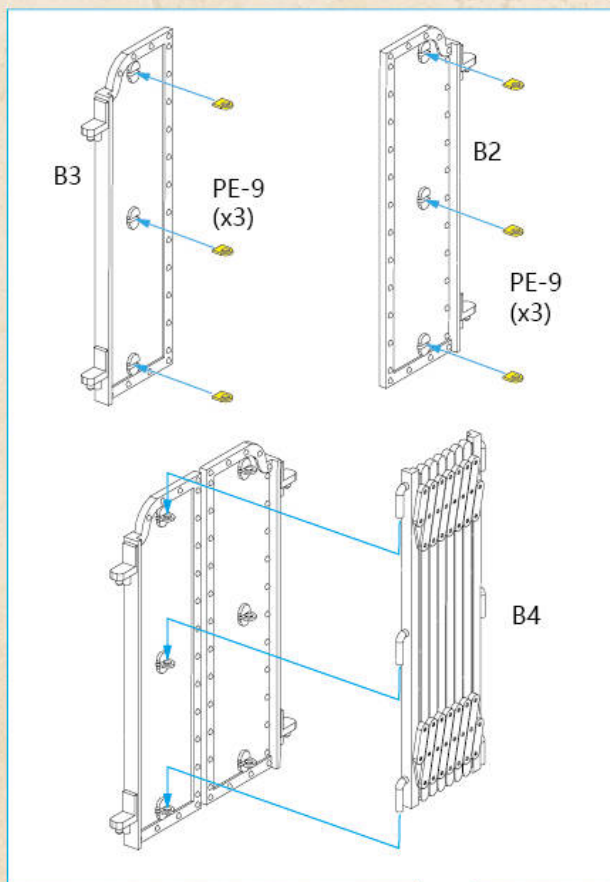
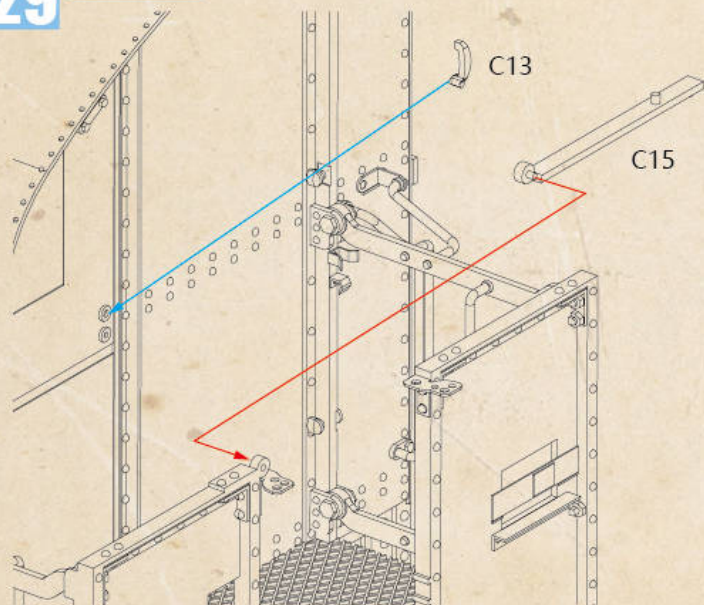
PE-11 (x2)



PE-15

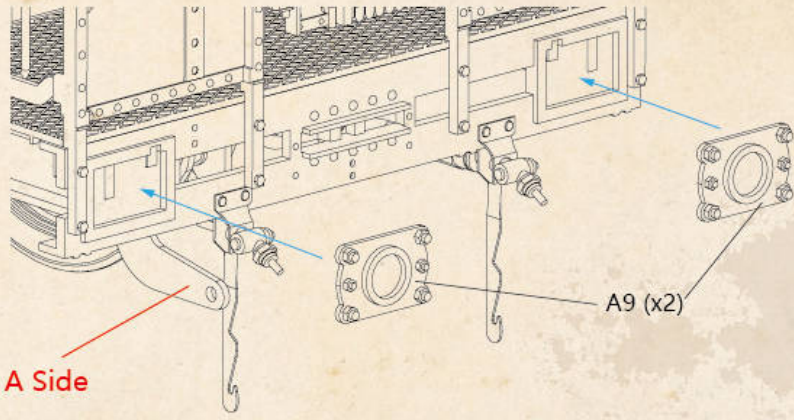
PE-14

H8

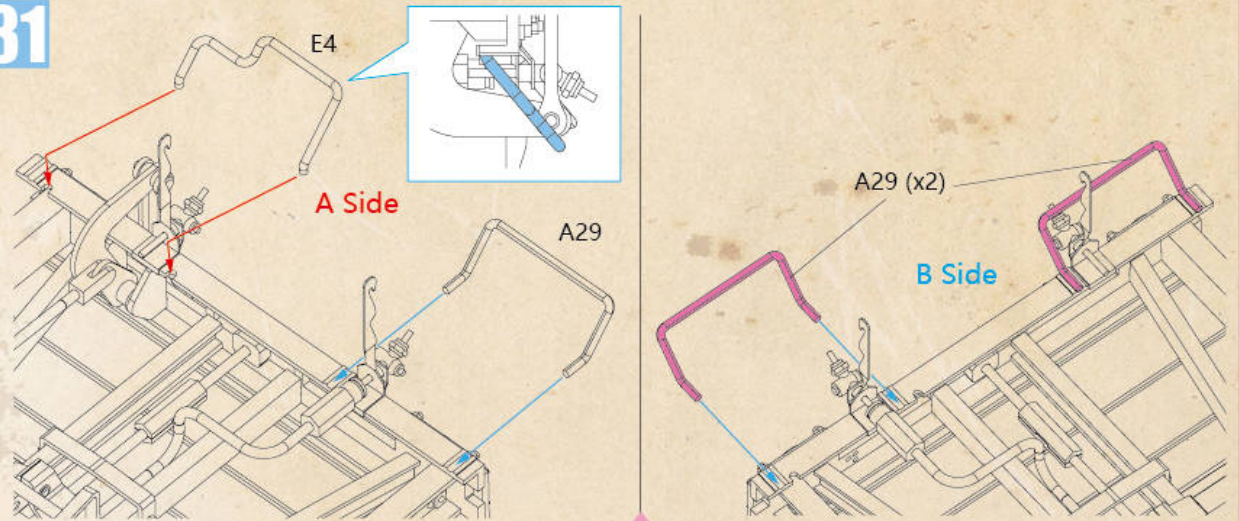


Refer to page 35 for the dual-car reconnection solution
 双车互联方案见P35

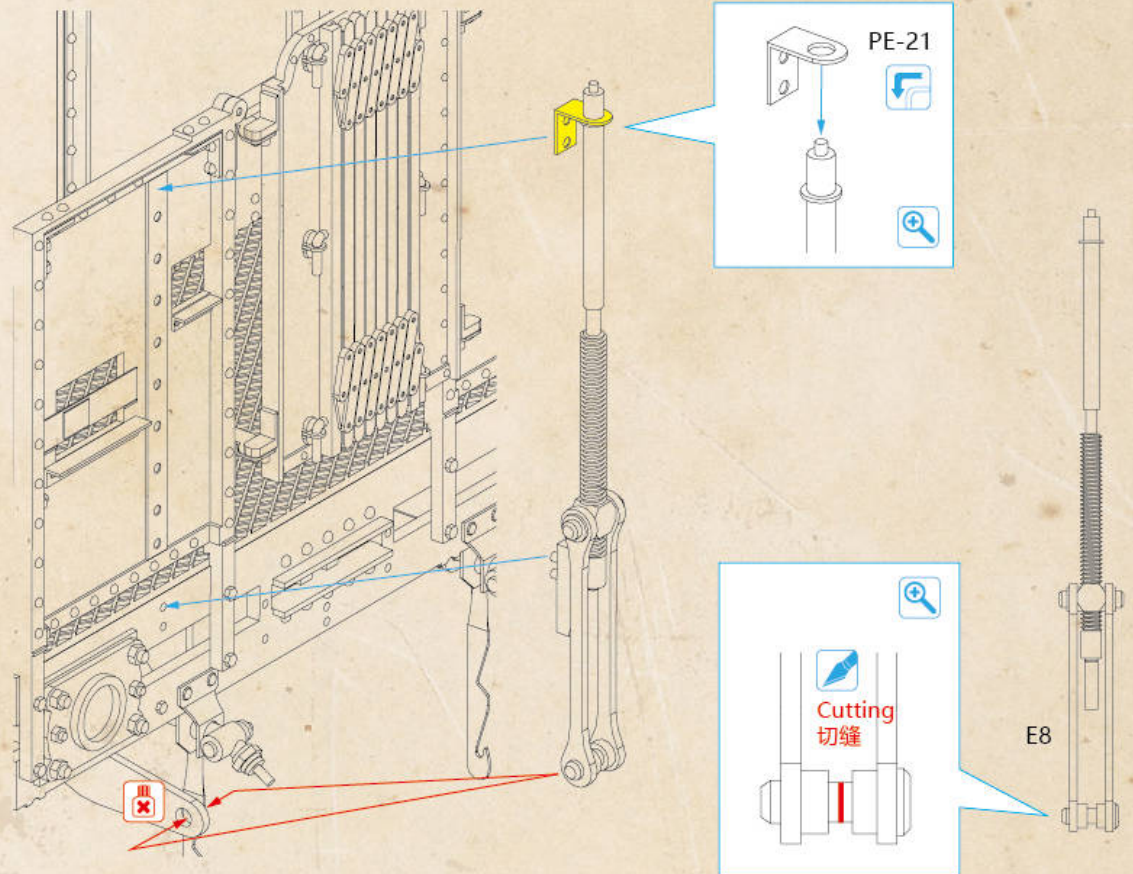
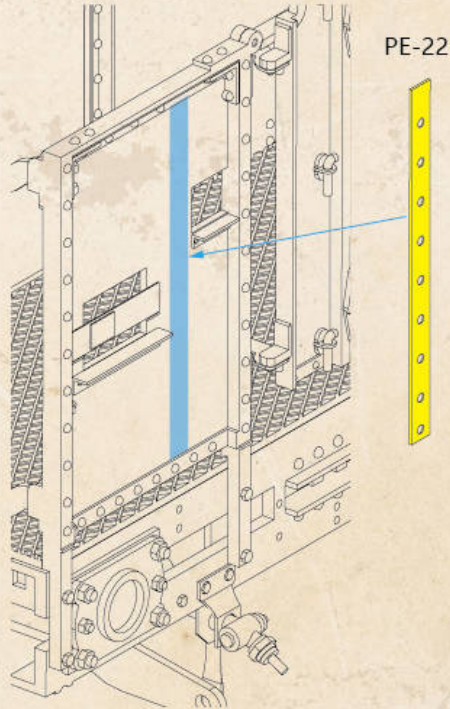
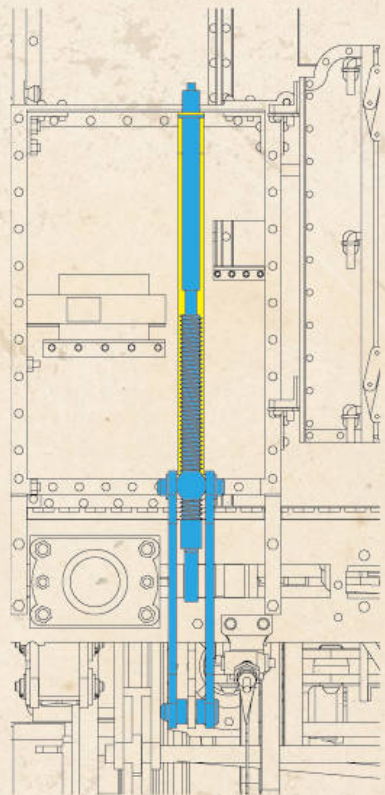
30 Both Side

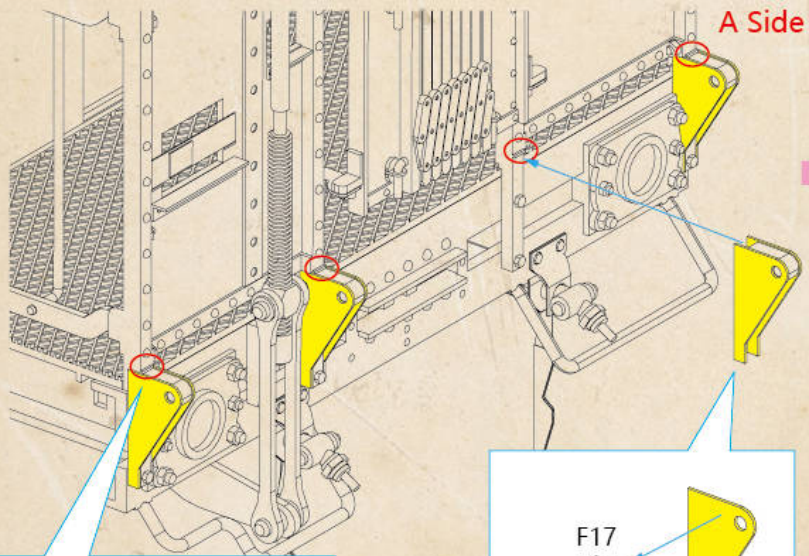


31

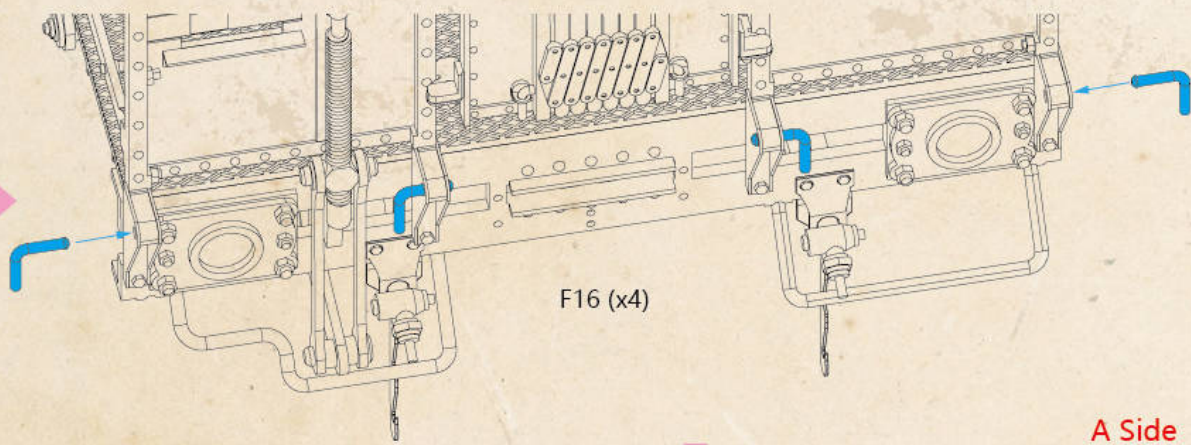


▲TIPS
Ensure PE22 Align with E8 after installation
确保PE22安装后和E8保持对齐



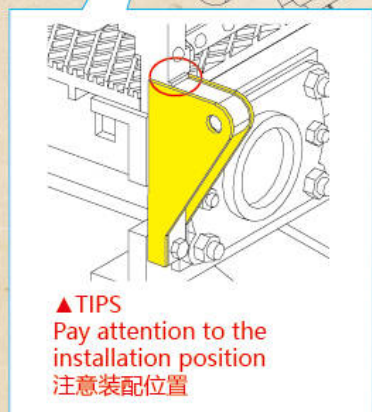


A Side

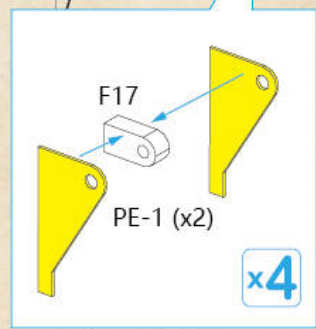


F16 (x4)

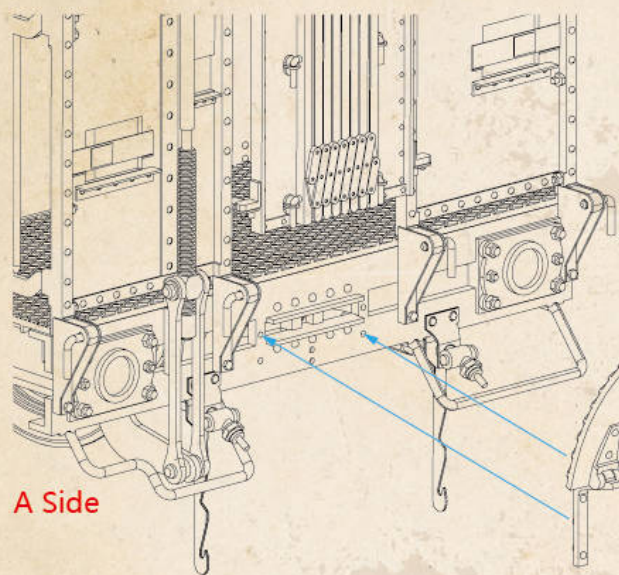
A Side



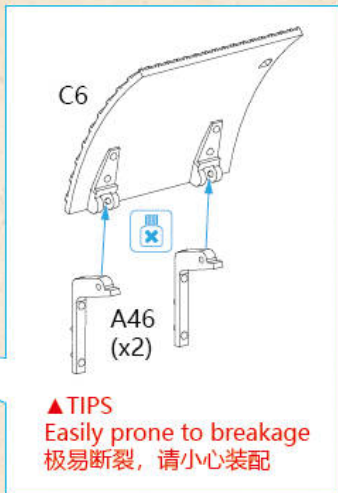
▲TIPS
Pay attention to the installation position
注意装配位置



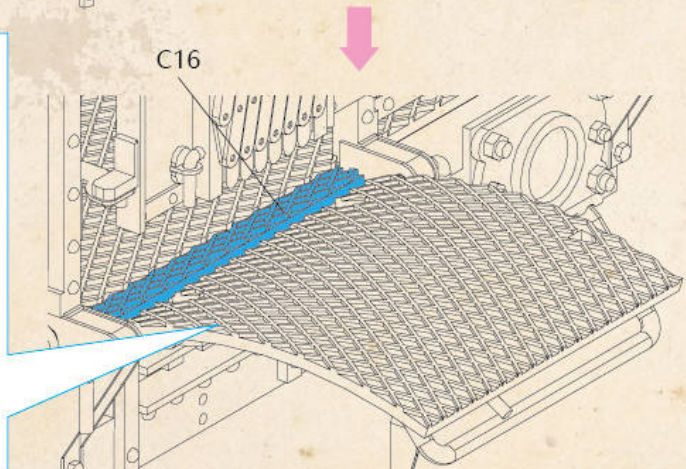
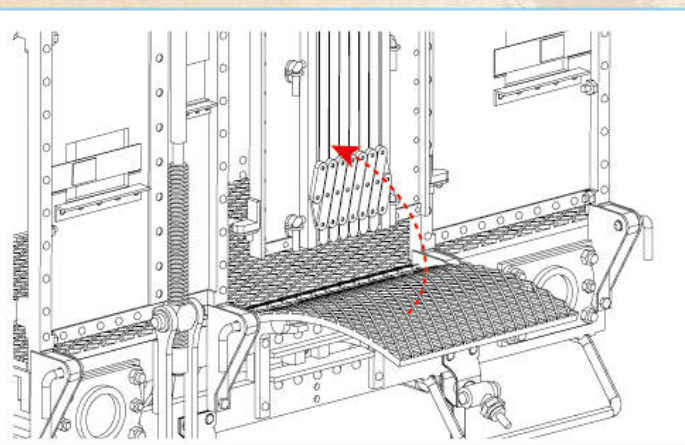
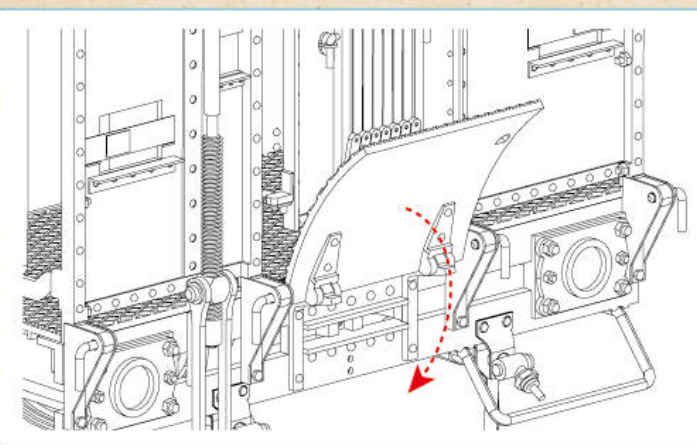
x4



A Side

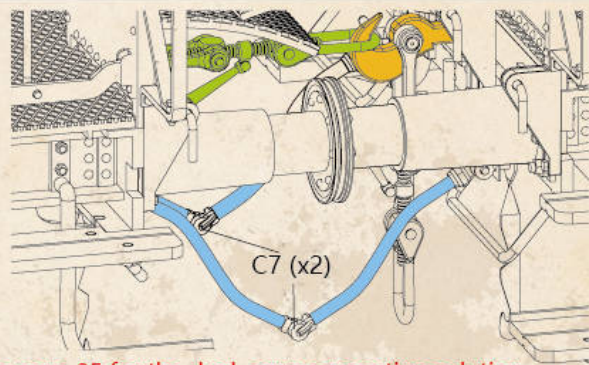
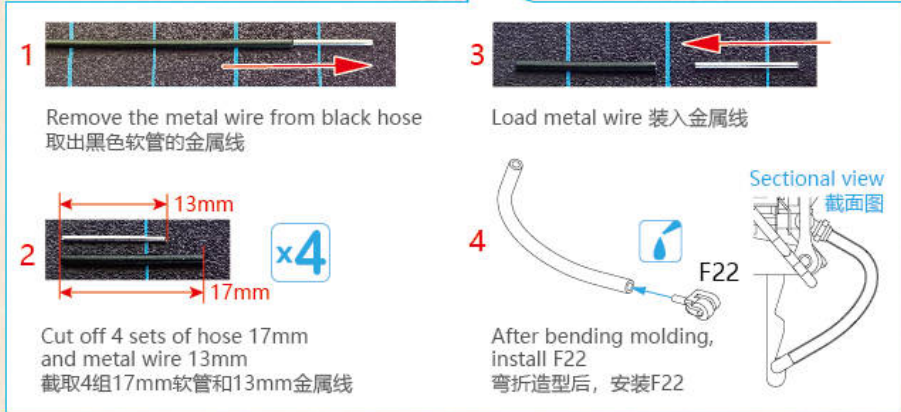
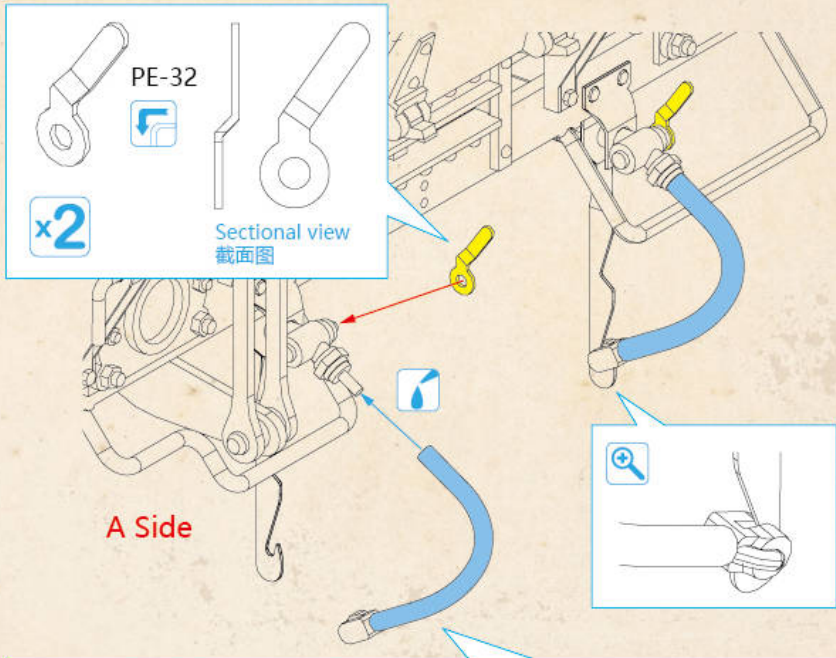


▲TIPS
Easily prone to breakage
极易断裂, 请小心装配



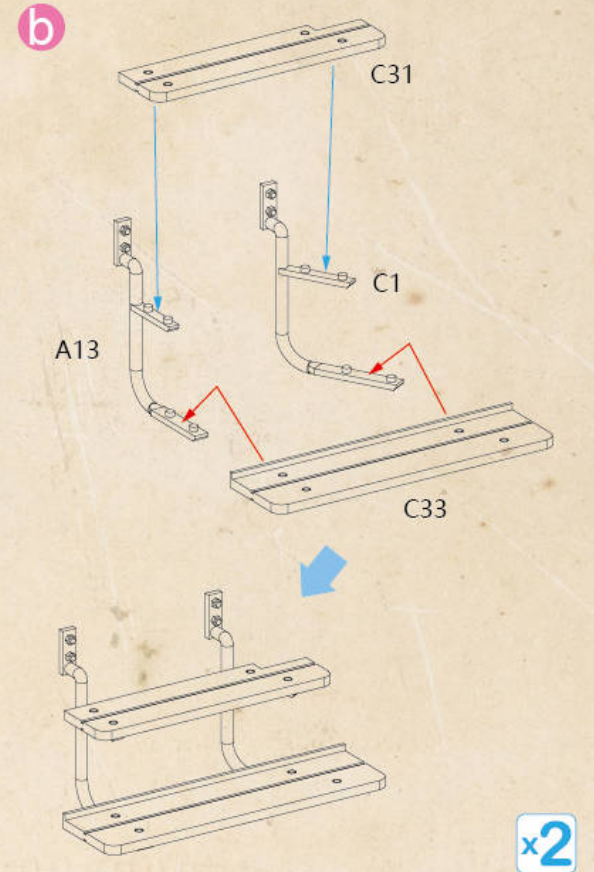
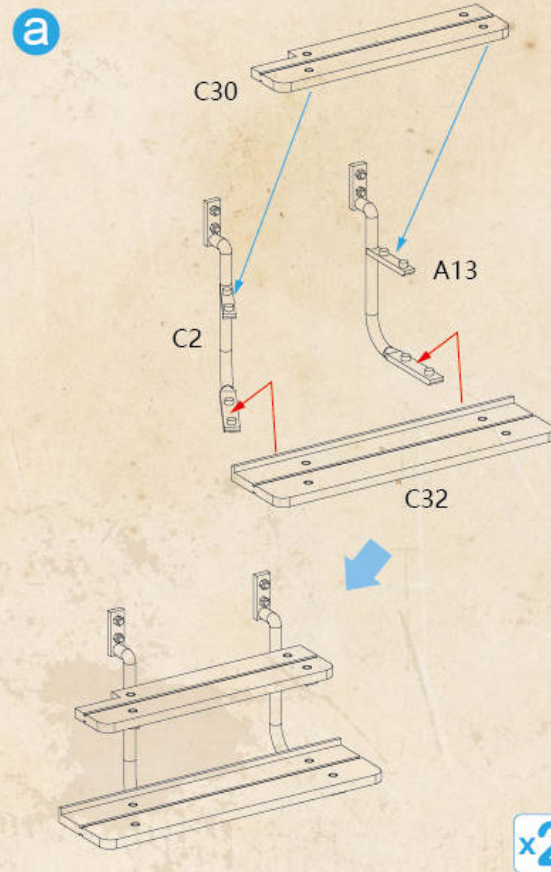
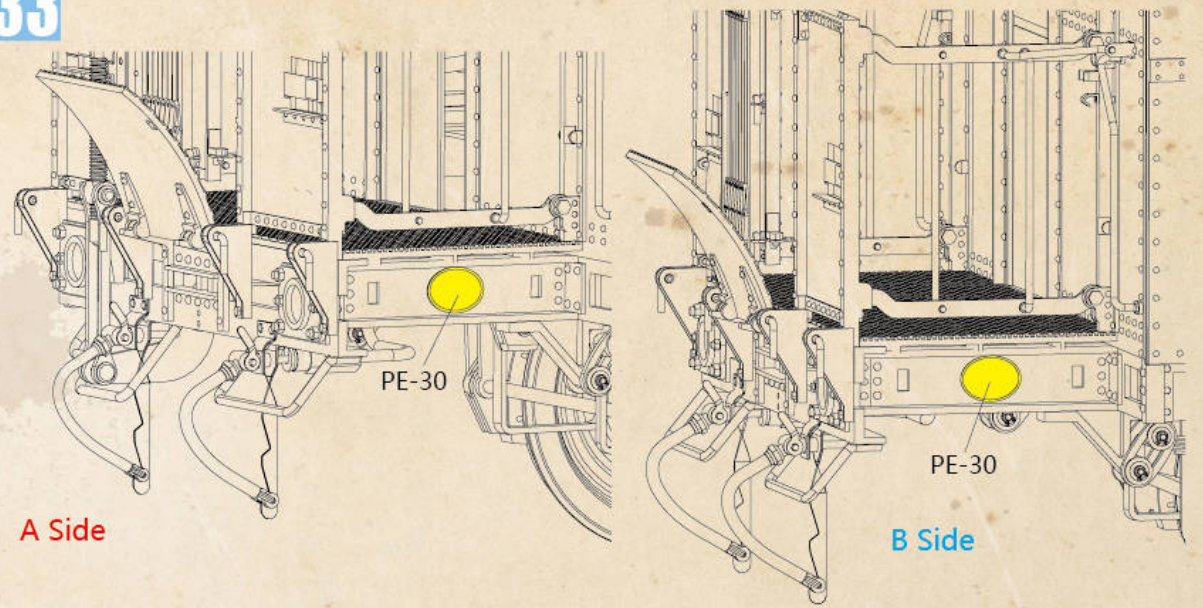
C16

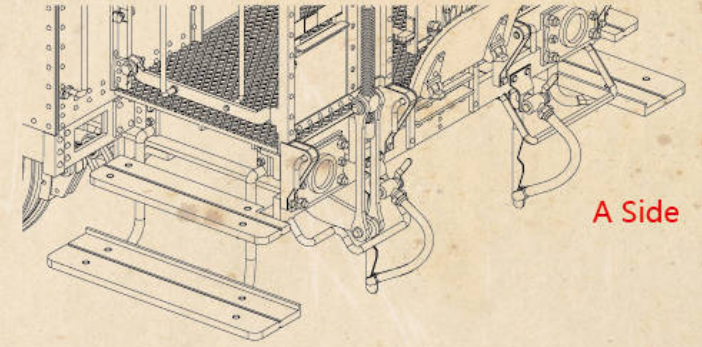
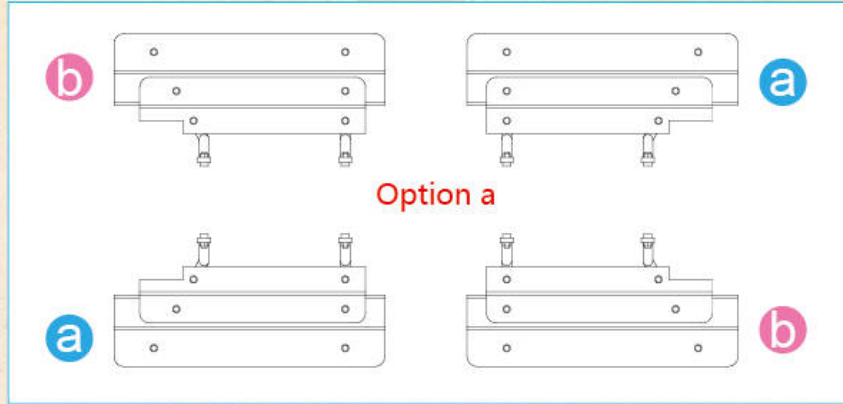
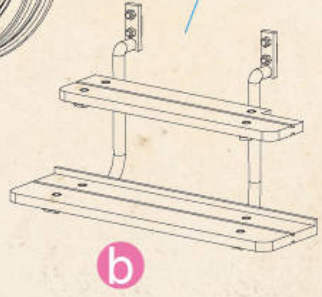
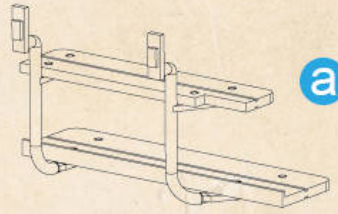
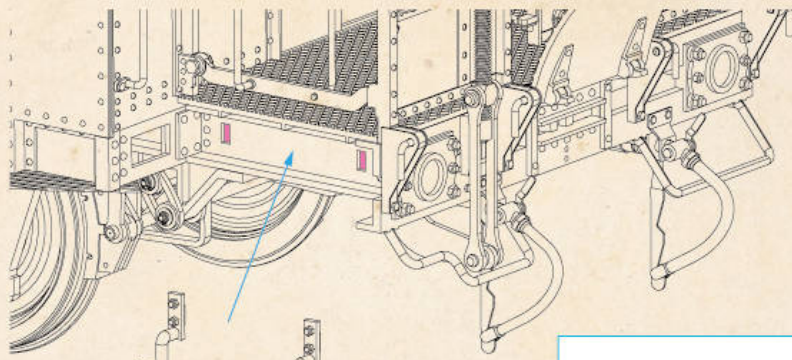
Both Side



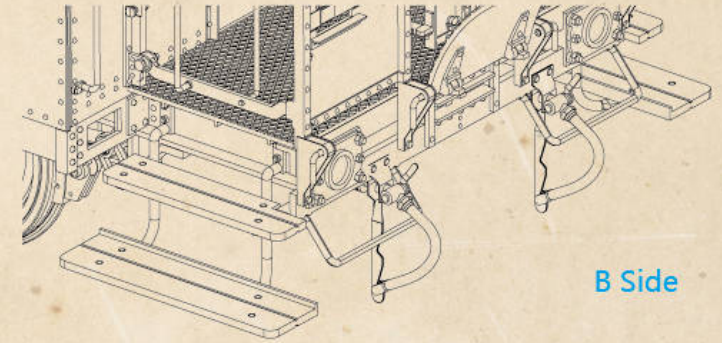
Refer to page 35 for the dual-car reconnection solution
双车互联方案见P35

33

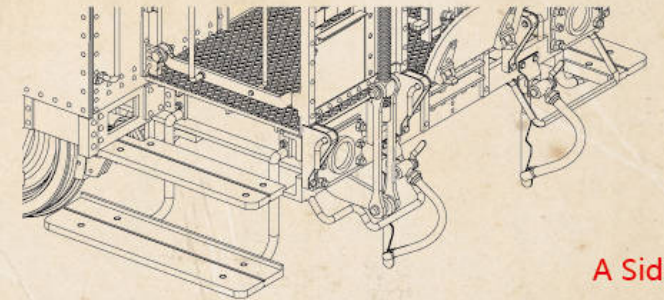
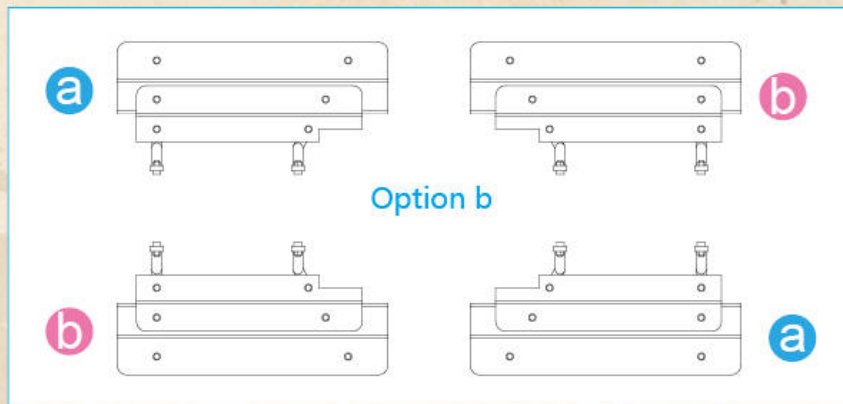
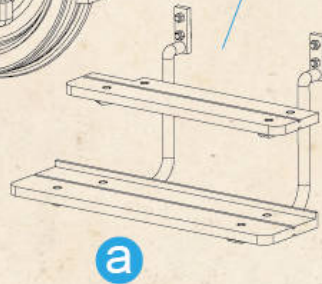
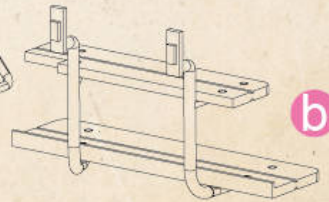
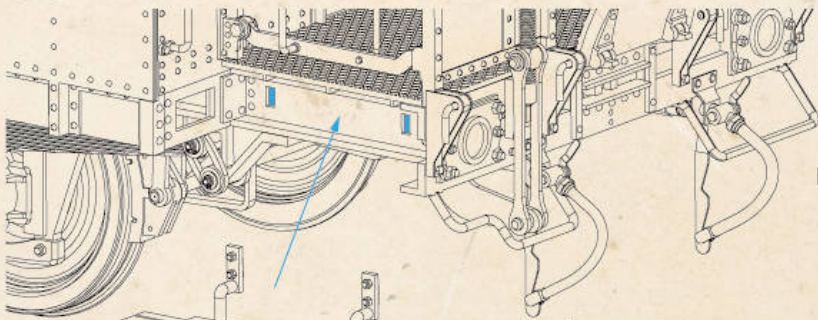




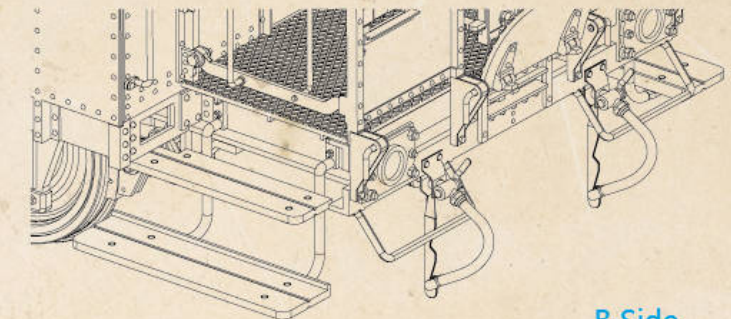
A Side



B Side

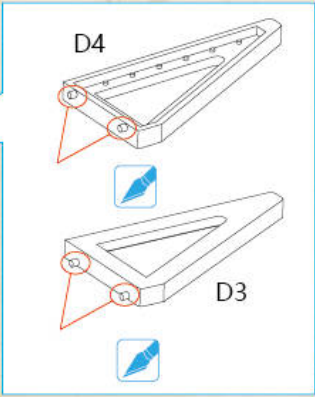
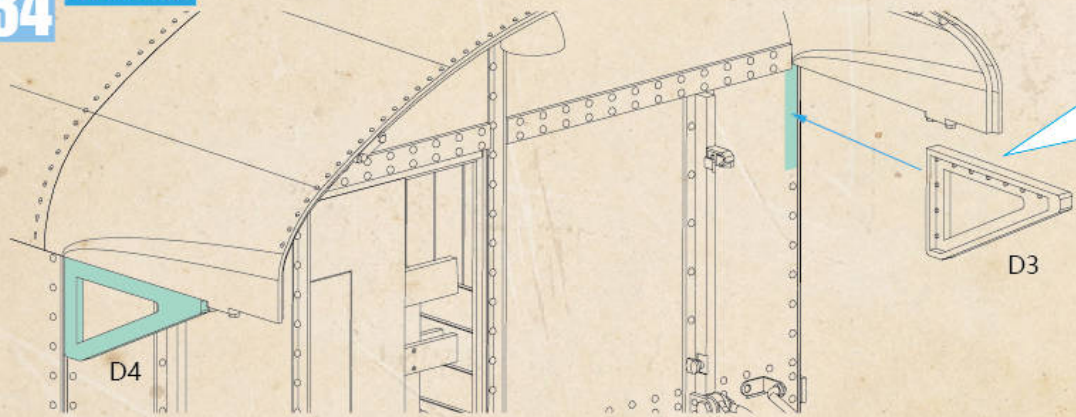


A Side

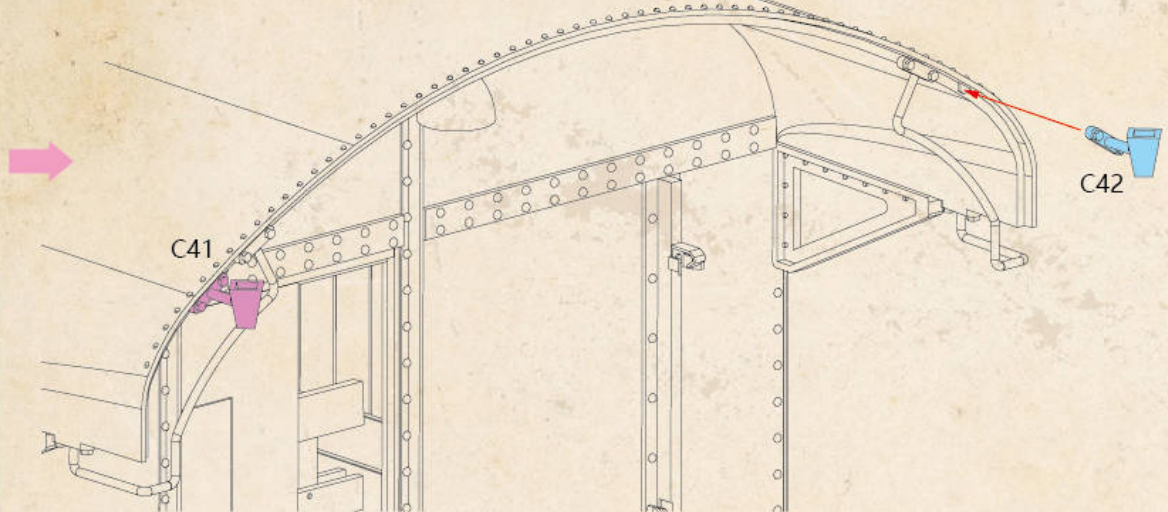
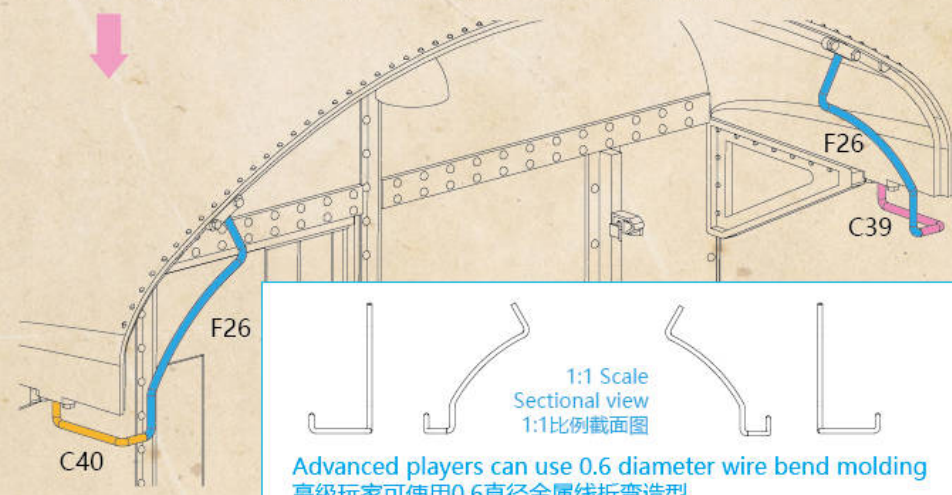
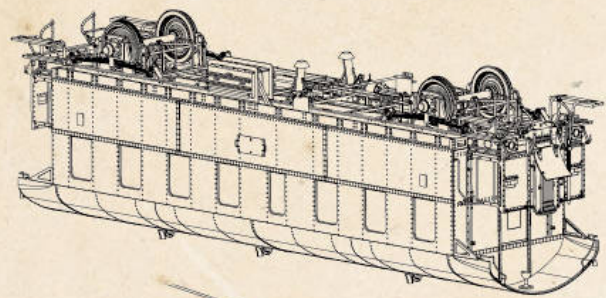


B Side

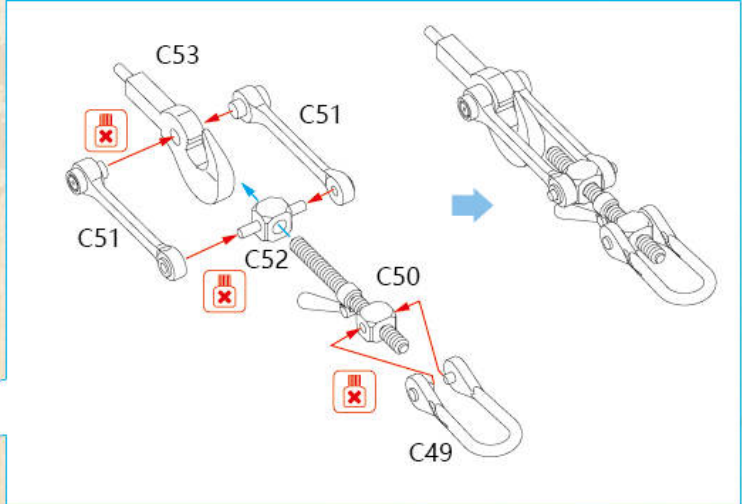
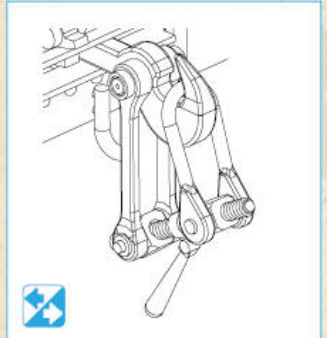
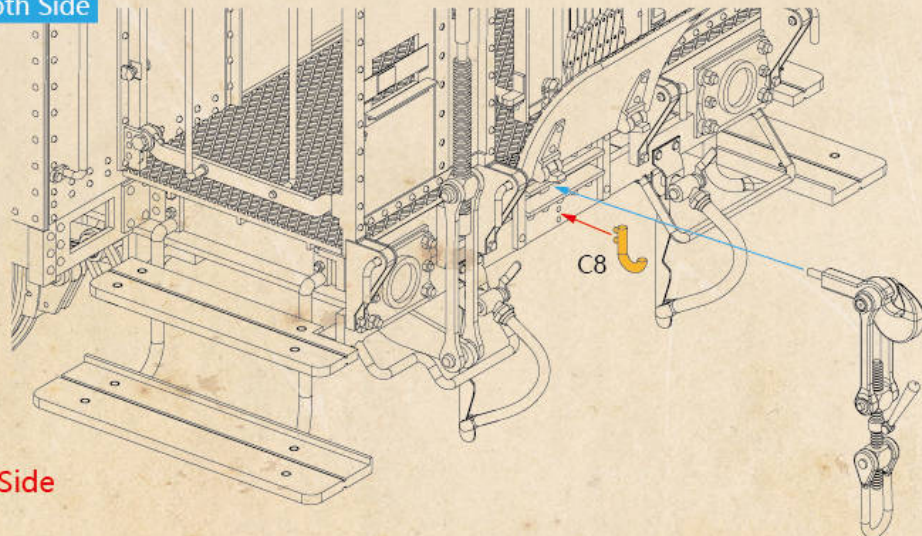
34 Both Side

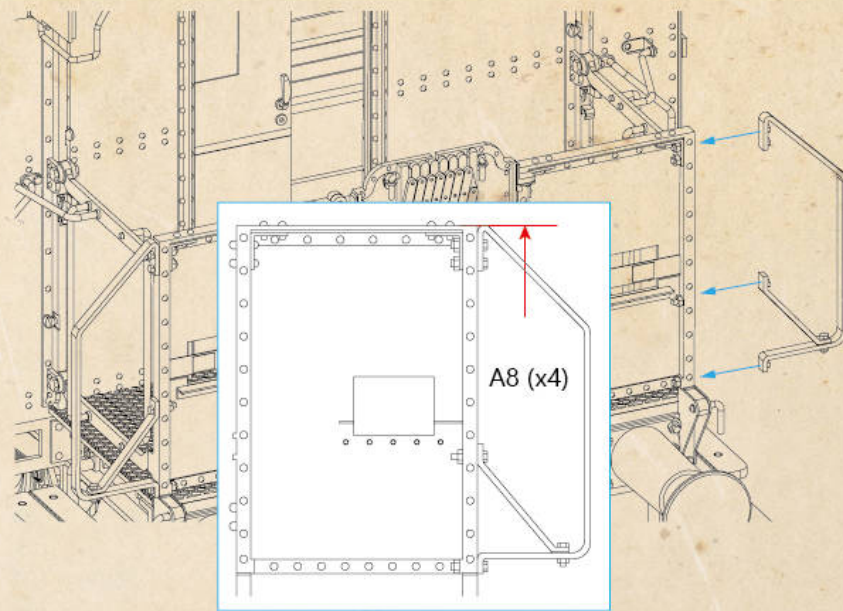
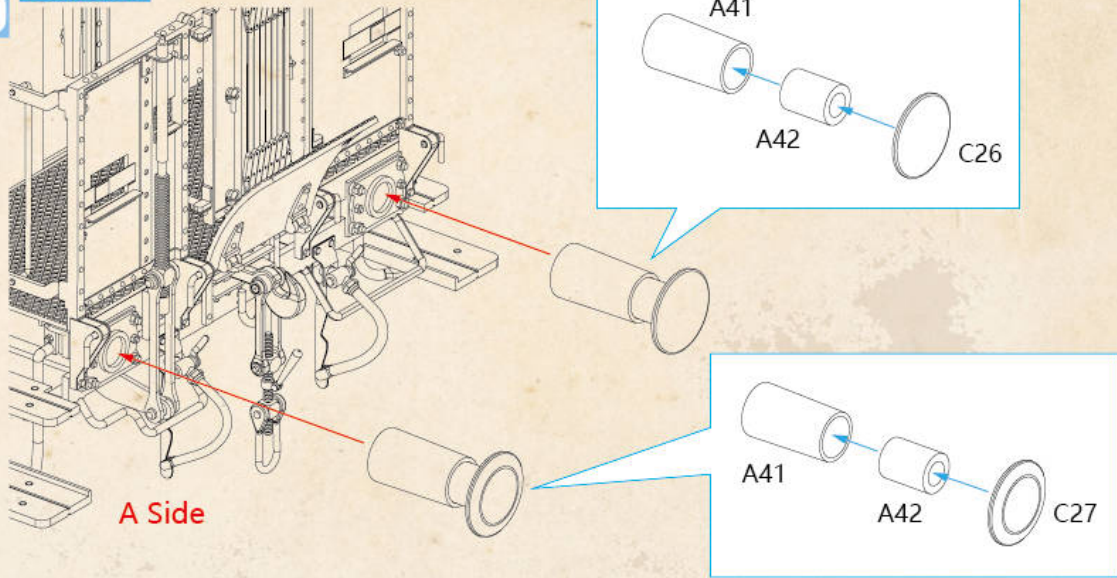


▲ TIPS
 Recommended to install the parts after the car body is inverted in this step.
 建议此步骤将车身倒置后再安装零件

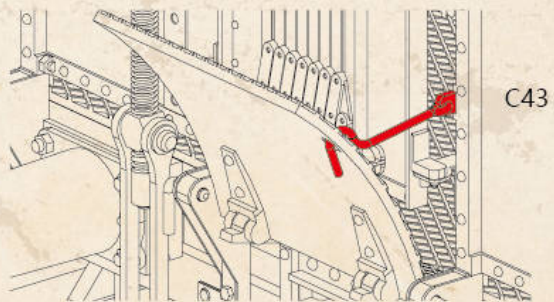


35 Both Side

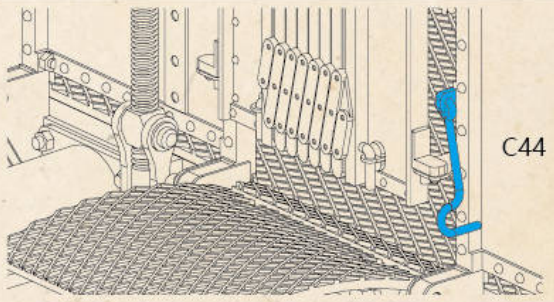




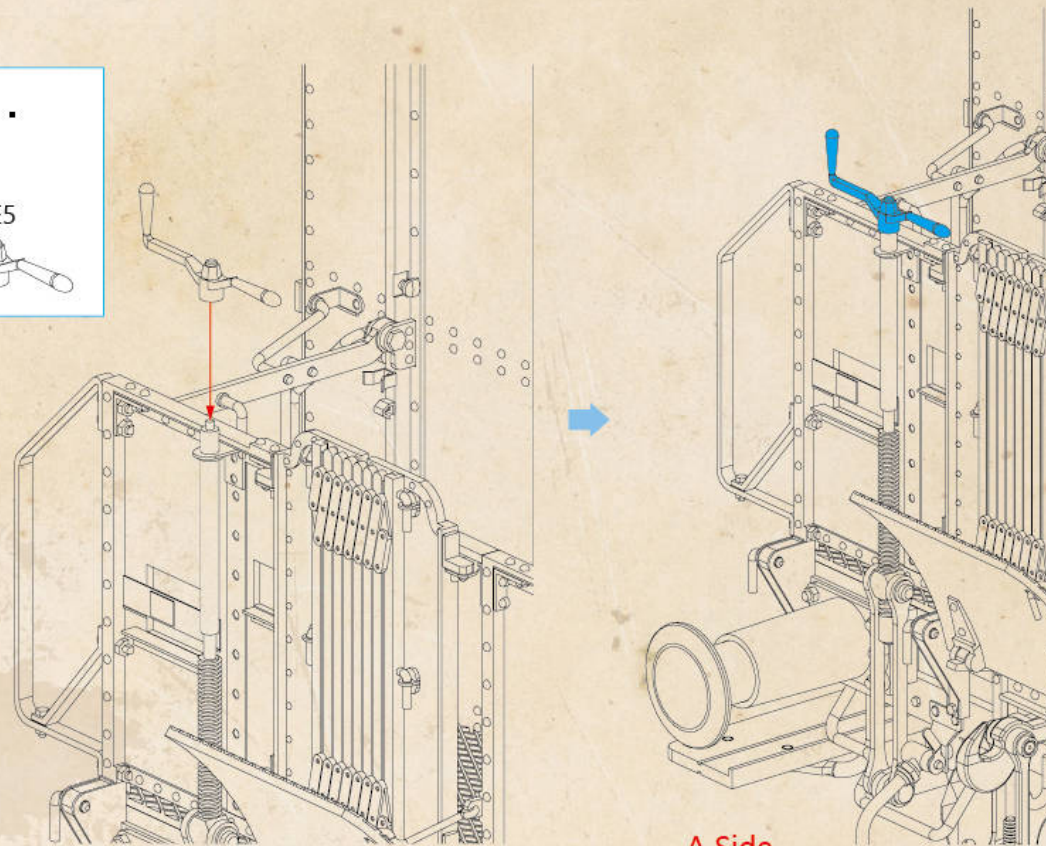
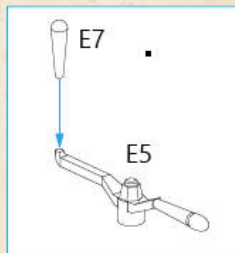
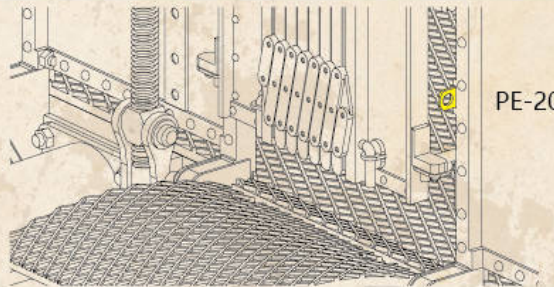
Option a

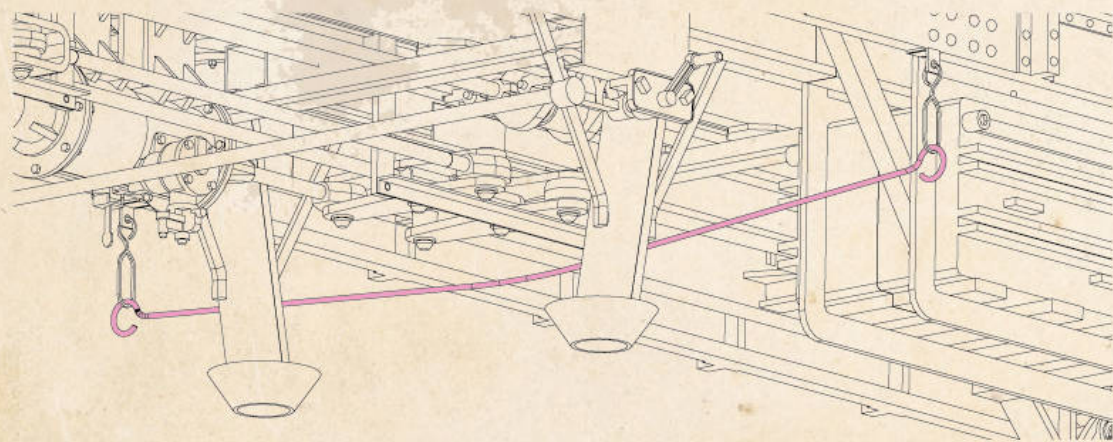
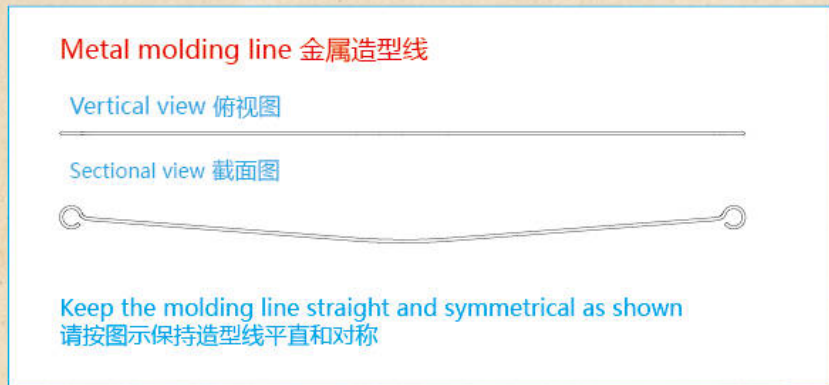
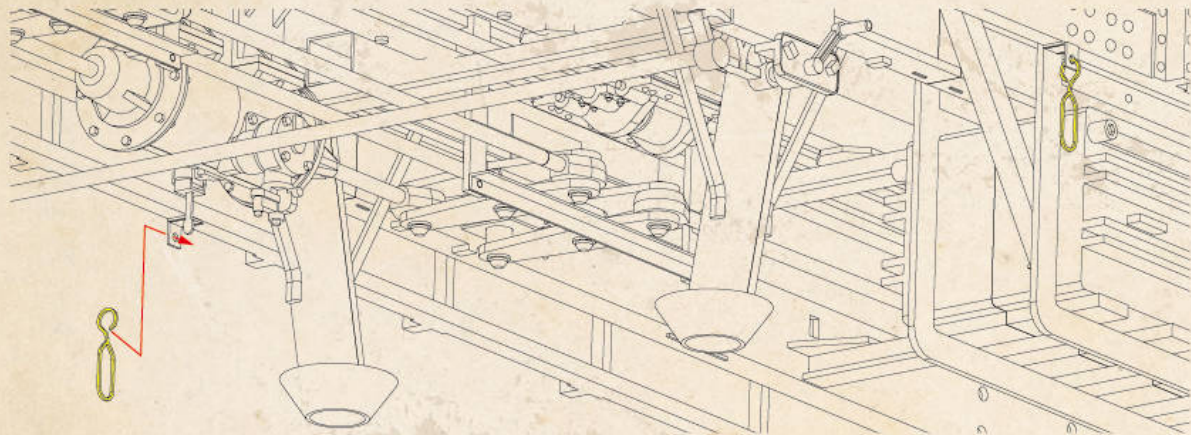
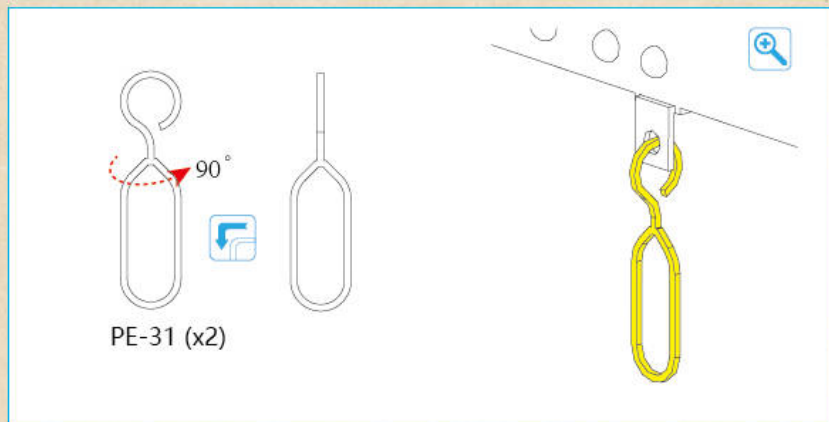
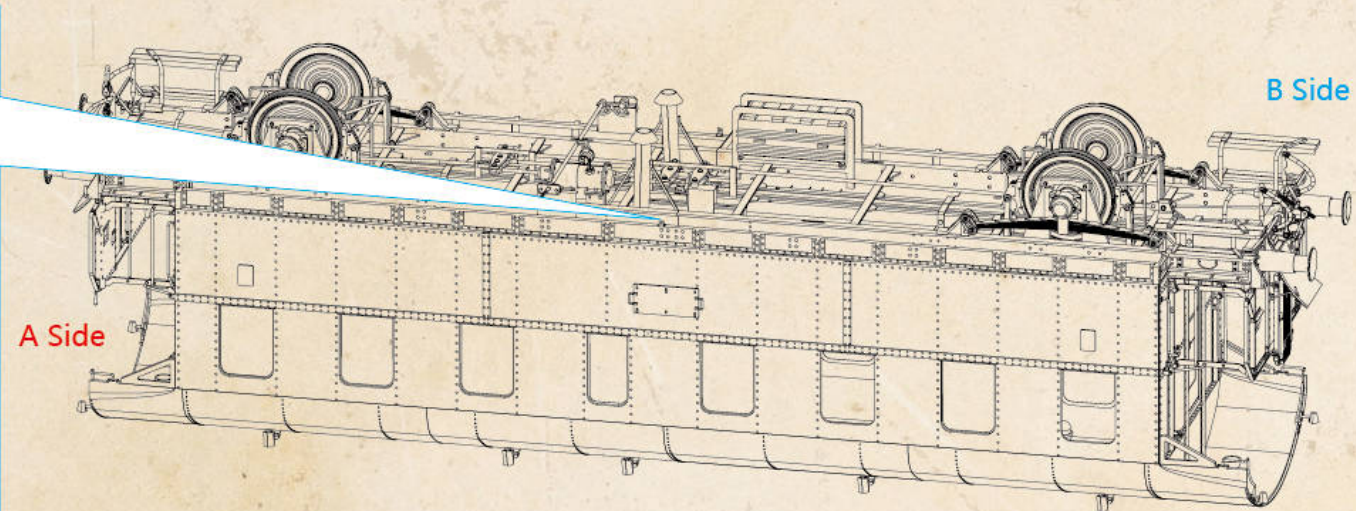
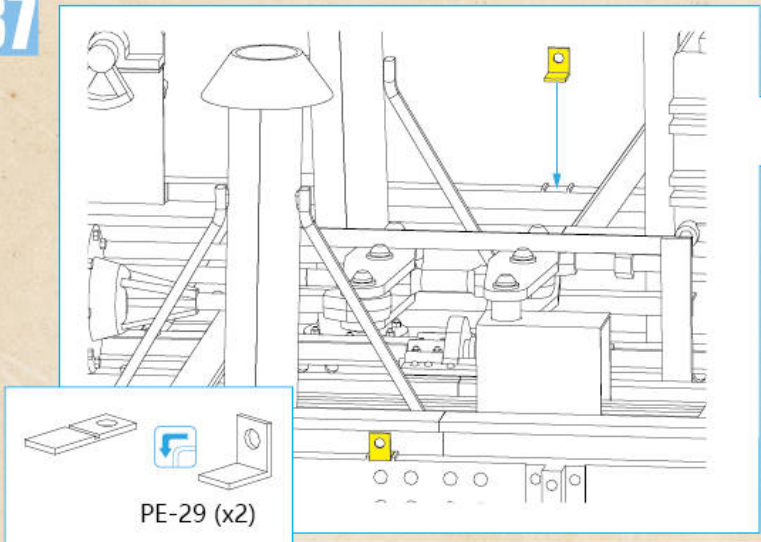


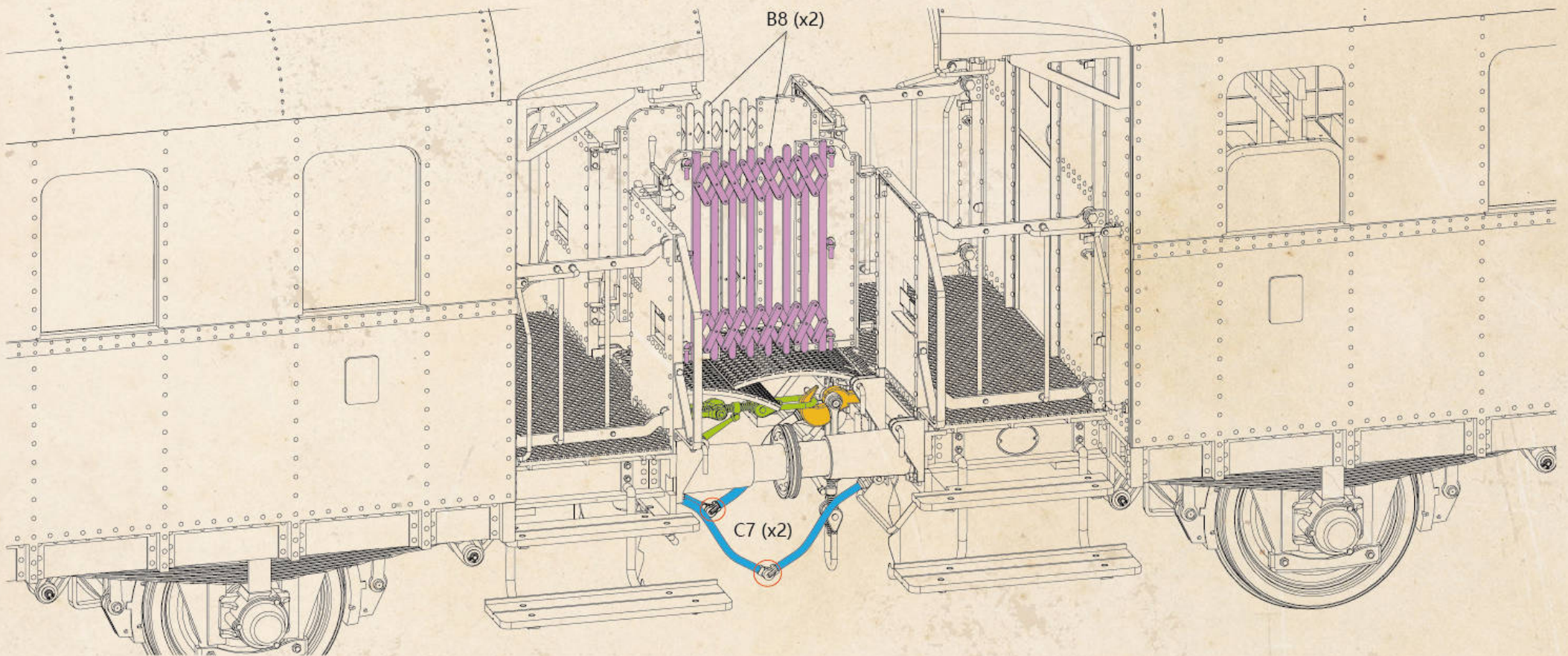
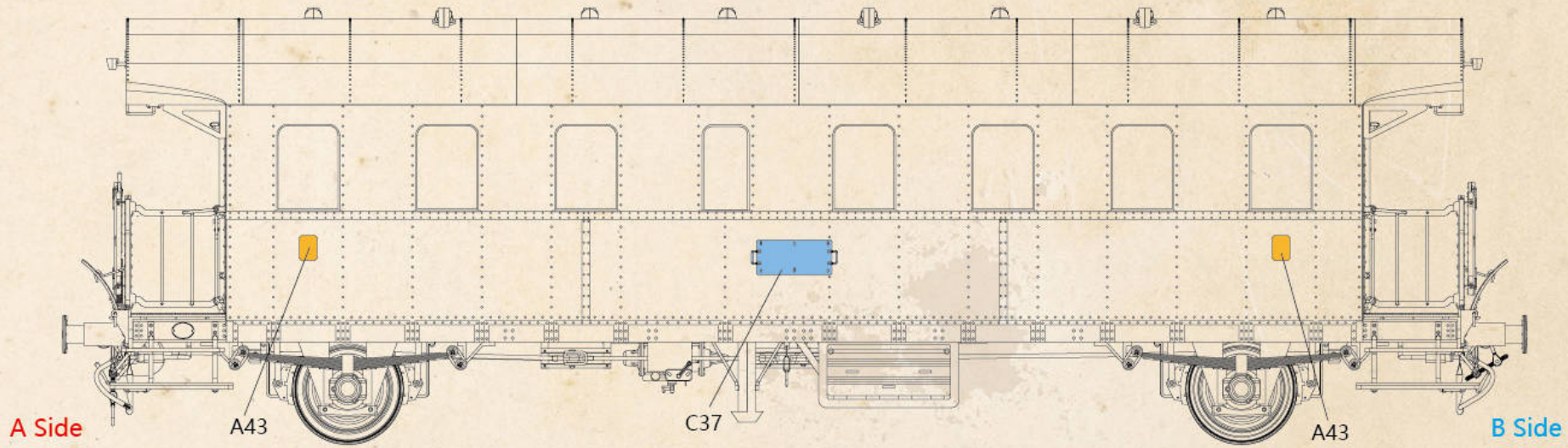
Option b



Option c



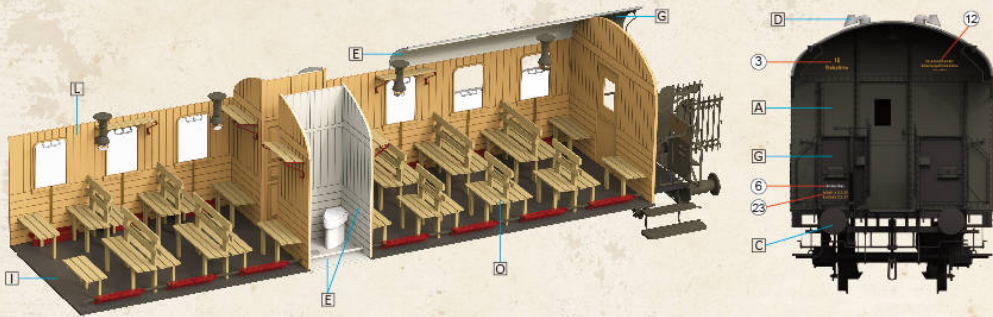
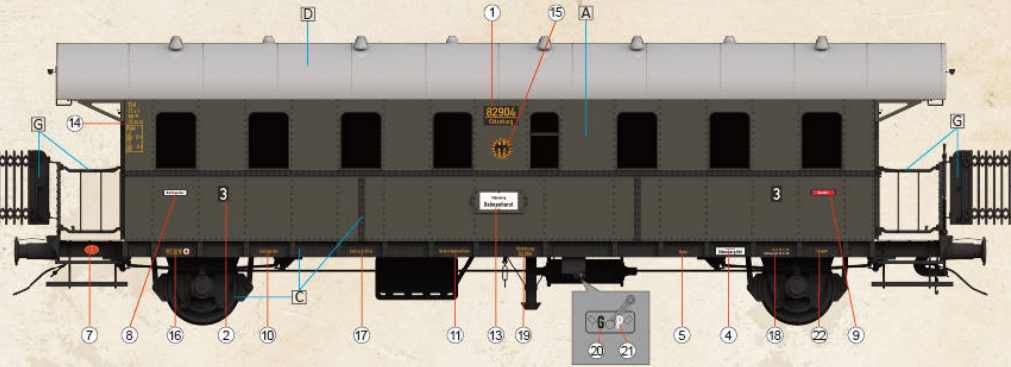




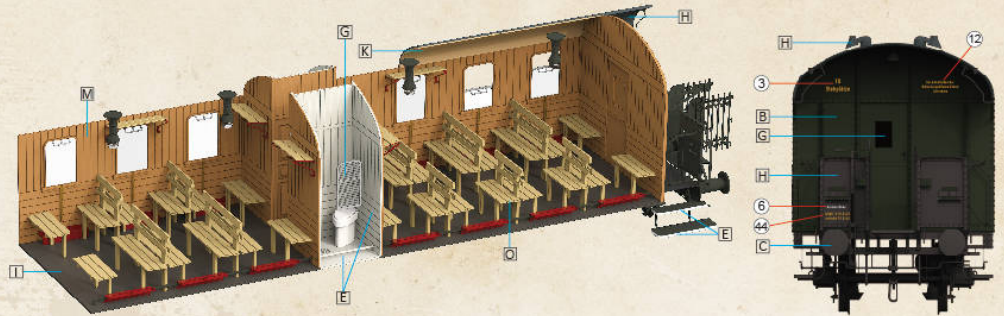
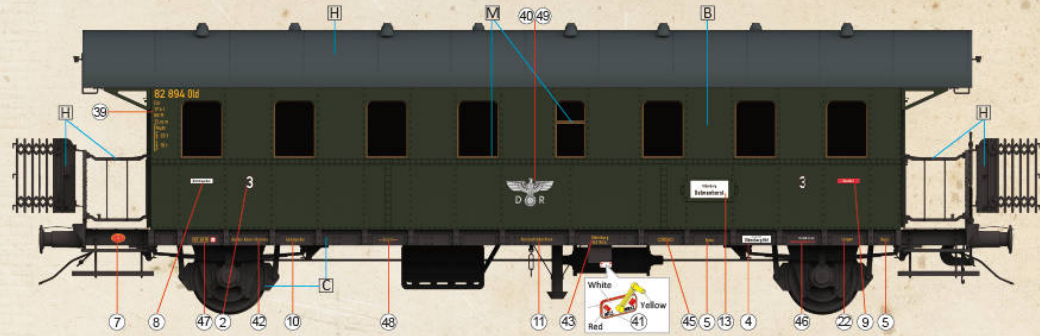
Painting and Marking Guide

		COLOR	RAL	LIFECOLOR	AMIG	ATOM
	A	Brown green	6008	UA275	0035 + 0084 (50/50)	20067 + 20063 (75/25)
	B	Bottle green	6007	UA275 + LC12 (60/40)	0233	20067 + 20063 (80/20)
	C	Jet black	9005	LC02	0046	20163
	D	White aluminium	9006	LC24	0194	20165
	E	Grey white	9002	UA785	0242	20123 + 20000 (90/10)
	F	Cream	9001	UA236	0017	20003
	G	Green grey	7009	UA233	0277	20157
	H	Iron grey	7011	UA252	0235	20148
	I	Umbra grey	7022	UA722	0232	20148
	J	Concrete grey	7023	UA744 + UA743 (80/20)	0241	20132
	K	Beige	1001	UA242	0200	20008
	L	Sand yellow	1002	UA249	0030	20021
	M	Brown beige	1011	LC15	0218	20007
	N	Ivory	1014	UA232	0122	20002
	O	Natural wood		UA717	0037	20004

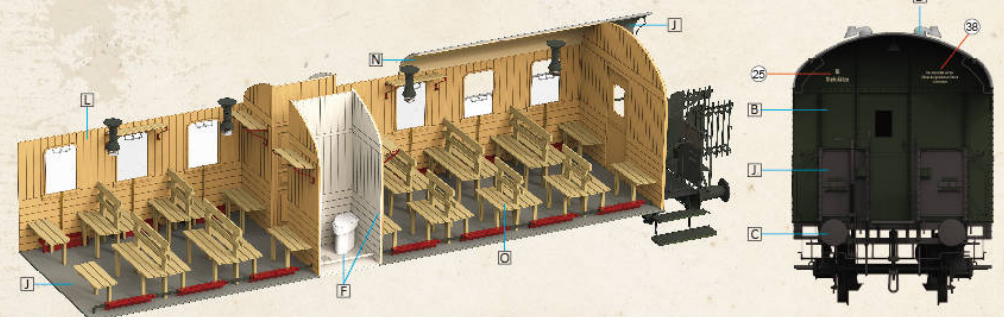
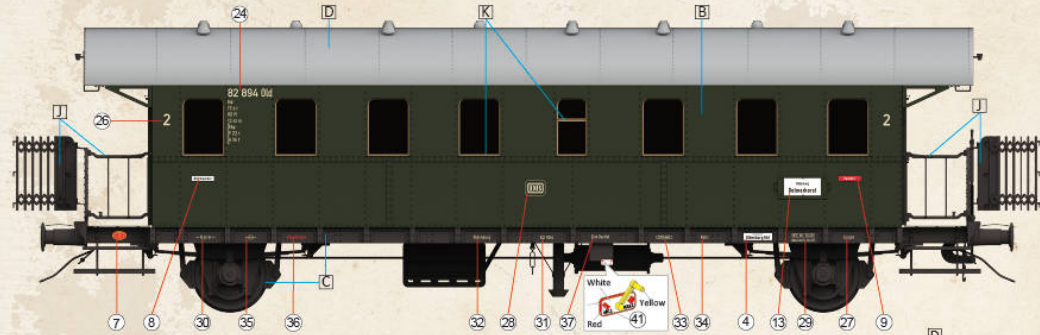
Deutsche Reichsbahn, Heimatbahnhof Oldenburg, 1935



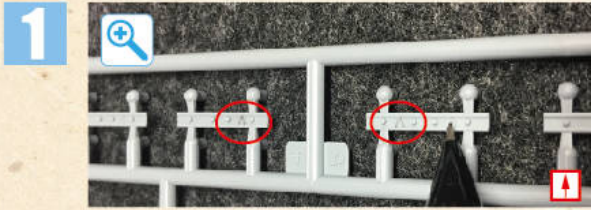
Deutsche Reichsbahn, Heimatbahnhof Oldenburg, 1942



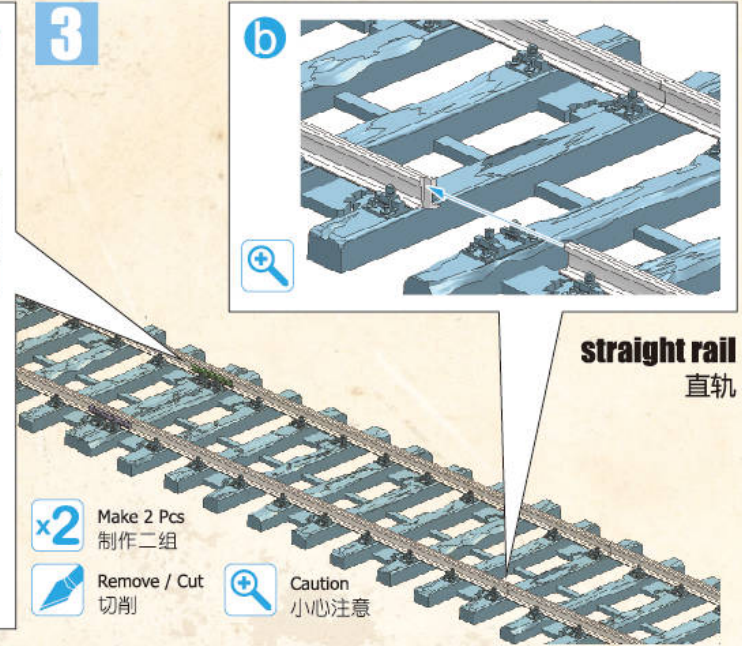
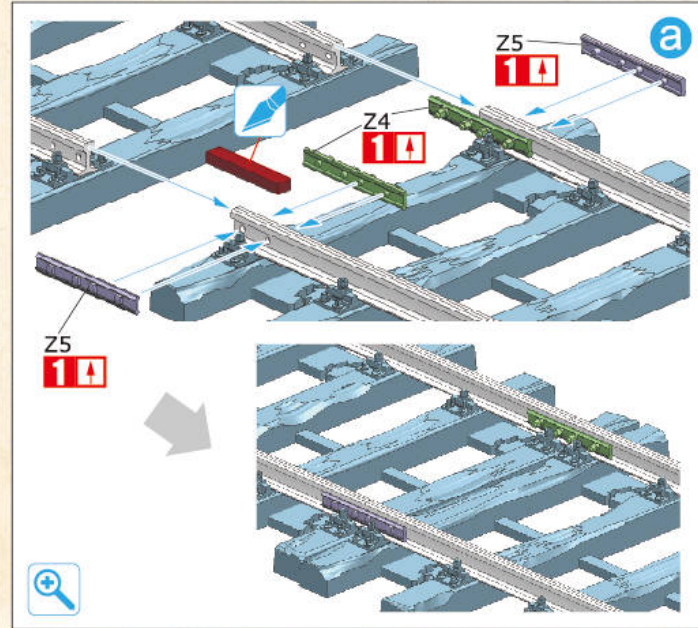
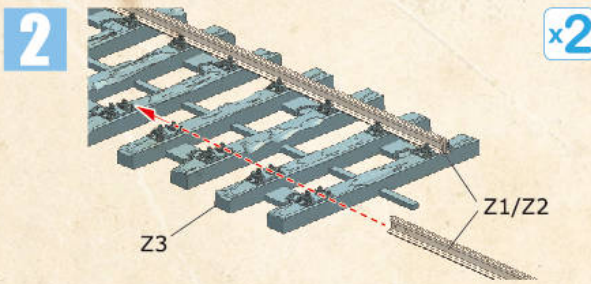
Deutsche Bahn, Heimatbahnhof Oldenburg, 1957



1:35 RAILWAY TRACK AND SLEEPER SET

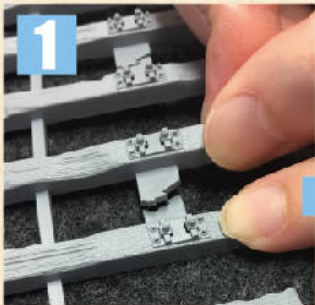


Before cut Z4/Z5 step, please mark the back of the part as shown up direction
 在剪切Z4/Z5步骤之前, 请按图示在零件背面标记向上方向



straight rail
直轨

- x2** Make 2 Pcs
制作二组
- Remove / Cut
切削
- Caution
小心注意



curved rail 弯轨

