

# M915 Gun Truck

美国M915武装卡车

**READ BEFORE ASSEMBLY:**

**装配之前仔细阅读**

- Study and understand these instructions thoroughly before beginning assembly
- When needed, remove photo-etch parts carefully using a modeling knife or photo etch sprue cutter, being careful not to damage or lose small parts.
- Take extra care in handling photo etch parts in order to avoid injury
- Apply instant cement sparingly to photo etch parts where instructed
- Tools recommended(not included in kit):Plastic and instant cements, sprue cutters,long nose pliers,modeling knife, small files, tweezers, pin vise & scissors. Soft cloth and sandpaper will also assist in construction
- Glue and paint are not included in the kit. Use plastic cement and hobby paints only. Color guide for purchasing paint is included in the kit.

- 小心用模型锉刀锉平所有零件表面的注射浇口。
- 小心用刀片切下蚀刻片零件，不要遗失小零件。
- 用强力快干胶水粘合蚀刻片零件和金属轴。过量快干胶水使用可能导致可动零件会粘住，小心涂胶。
- 取蚀刻片时应特别注意安全，防止利刃划伤手指。
- 某些零件表面需贴水上水贴纸，请选择在装配的同时进行。
- 推荐模型工具(自备)：胶水，水口剪刀，长咀钳，刀片，锉刀，镊子，钳，钻，剪刀，瞬间快干胶。
- 软布同砂纸同时也是所需工具。
- 请使用塑料胶水和油漆，模型内不含。



使用强力胶  
Cyanoacrylate glue



配重  
Weight



钻孔  
Make hole



切除  
Cut / Remove



贴纸  
Decal



锉平  
File / Sand



选择  
Option



不涂胶水  
No cement



弯曲  
Bend



先装  
Install it first



填补  
Repair

**水贴纸的使用:**

- 1.从水贴纸上剪下印花;
- 2.将印花放入温水中浸10秒, 然后放在干净布上。
- 3.拿着印花纸板将印花移到模型上;
- 4.手指蘸水将印花移到适当的位置;
- 5.用软布轻压印花直至水干, 气泡消失

**DECAL APPLICATION**

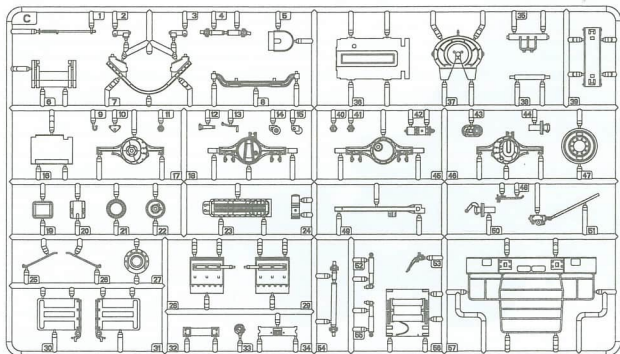
- 1.Cut decals from sheet as needed
- 2.Dip the decal in warm water for about 10 seconds and then place on soft clean cloth.
- 3.Hold the decal backing sheet edge and gently slide the decal onto the model in its proper position.

- 4.While still wet,decal can be adjusted for better fit on model by dampening it gently with your finger.
- 5.When placed in the proper position,gently press decal down with a soft cloth until excess water and air bubbles are gone.
- 6.Allow decal to dry completely before handling model

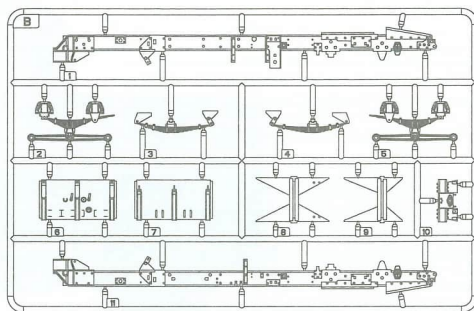
# 部品图

## Parts

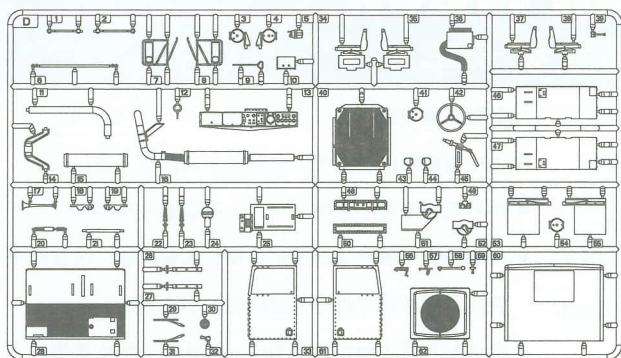
C



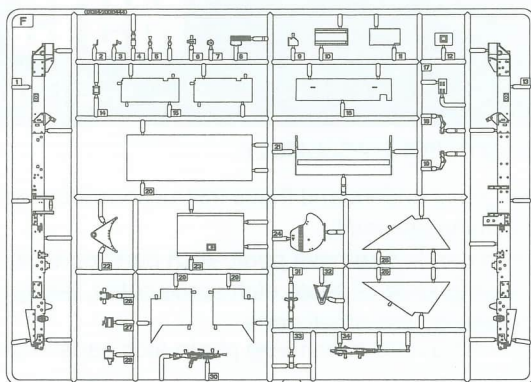
B



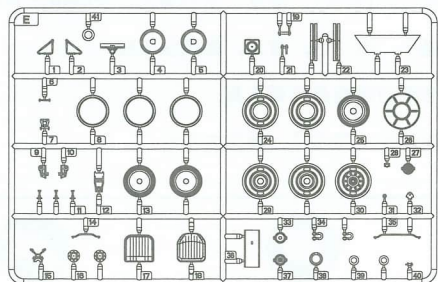
D



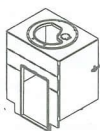
F



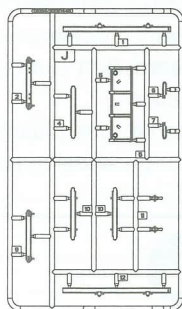
Ex2



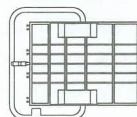
J3



J



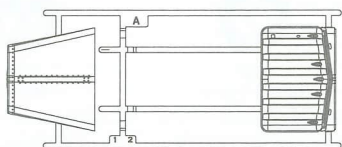
J8



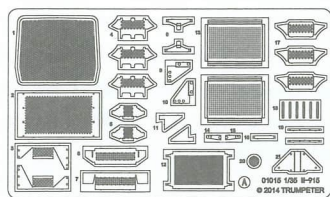
《轮胎》x10  
Tyre



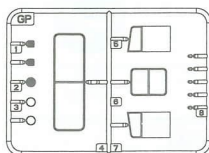
A



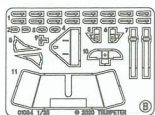
《蚀刻片》  
PE-A



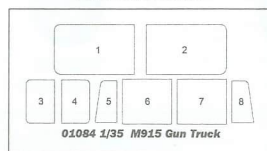
GP



《蚀刻片》  
PE-B



《遮盖纸》  
Die-cut mask

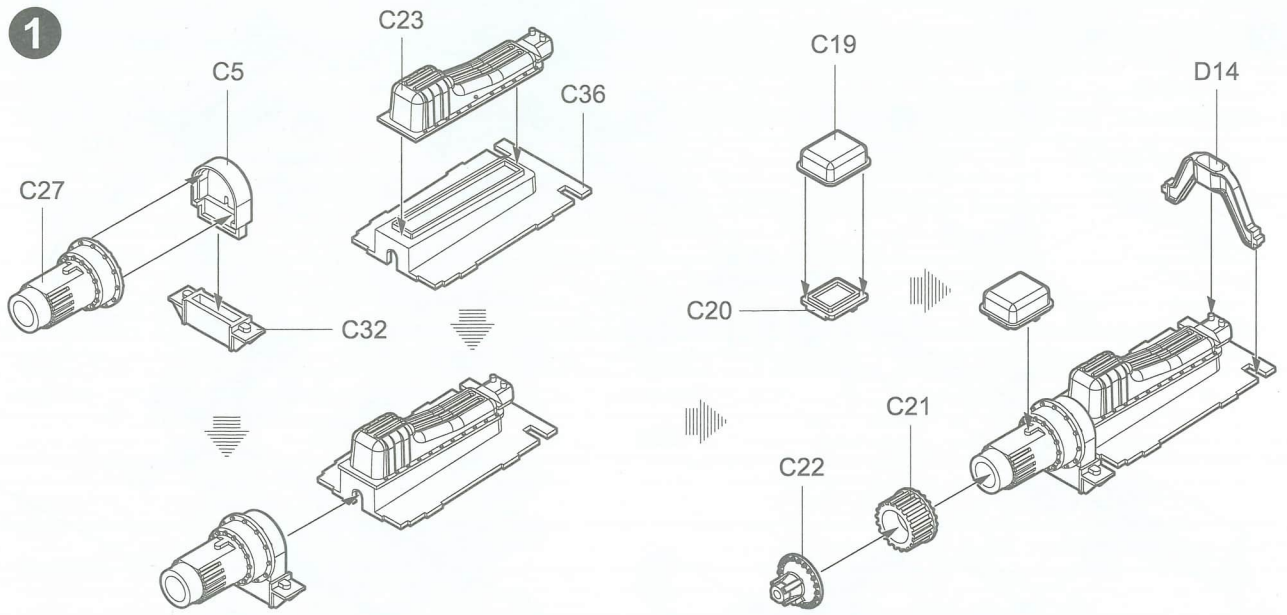


《水贴》  
Decal

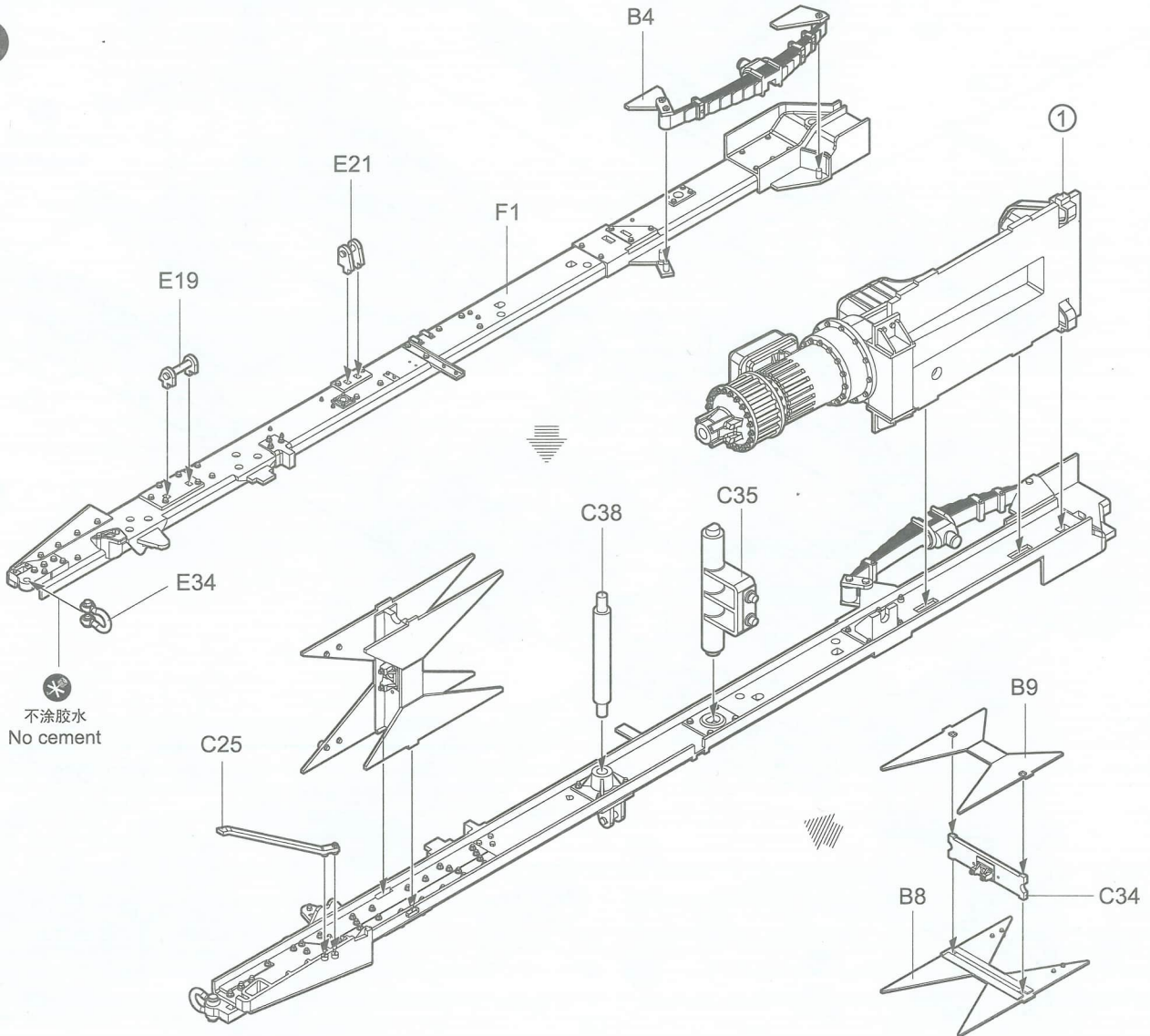


不用部件: B1,B11,C1,C10,C13,C14,C15,C37,C39,C47,C48,C49,  
Unused parts C56,D9,D18,D19,D20,E3,E36,E40,PE-A13,PE-A21

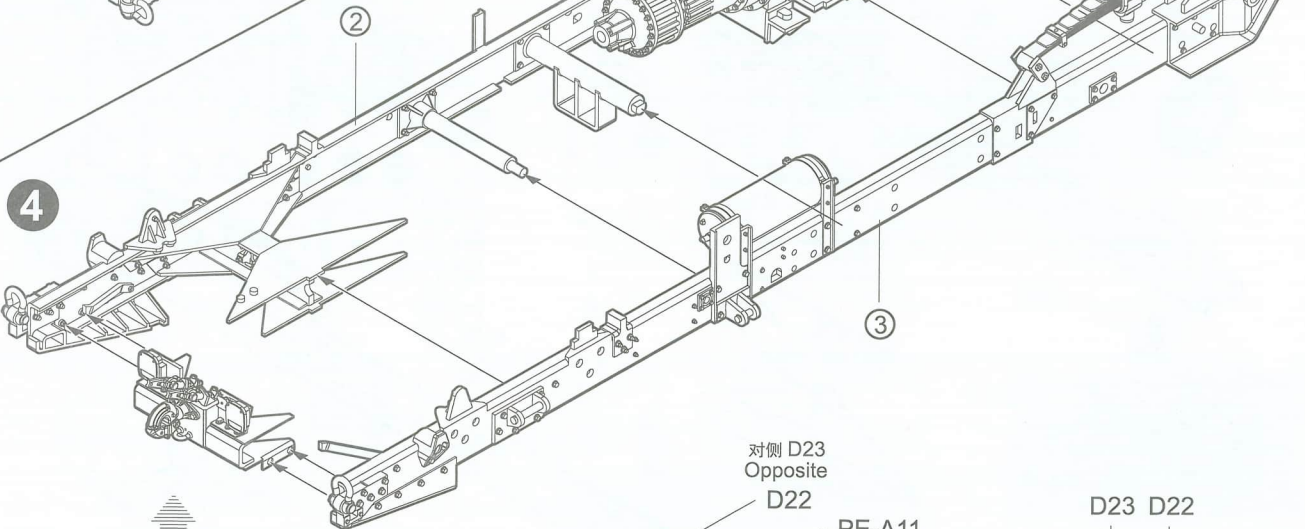
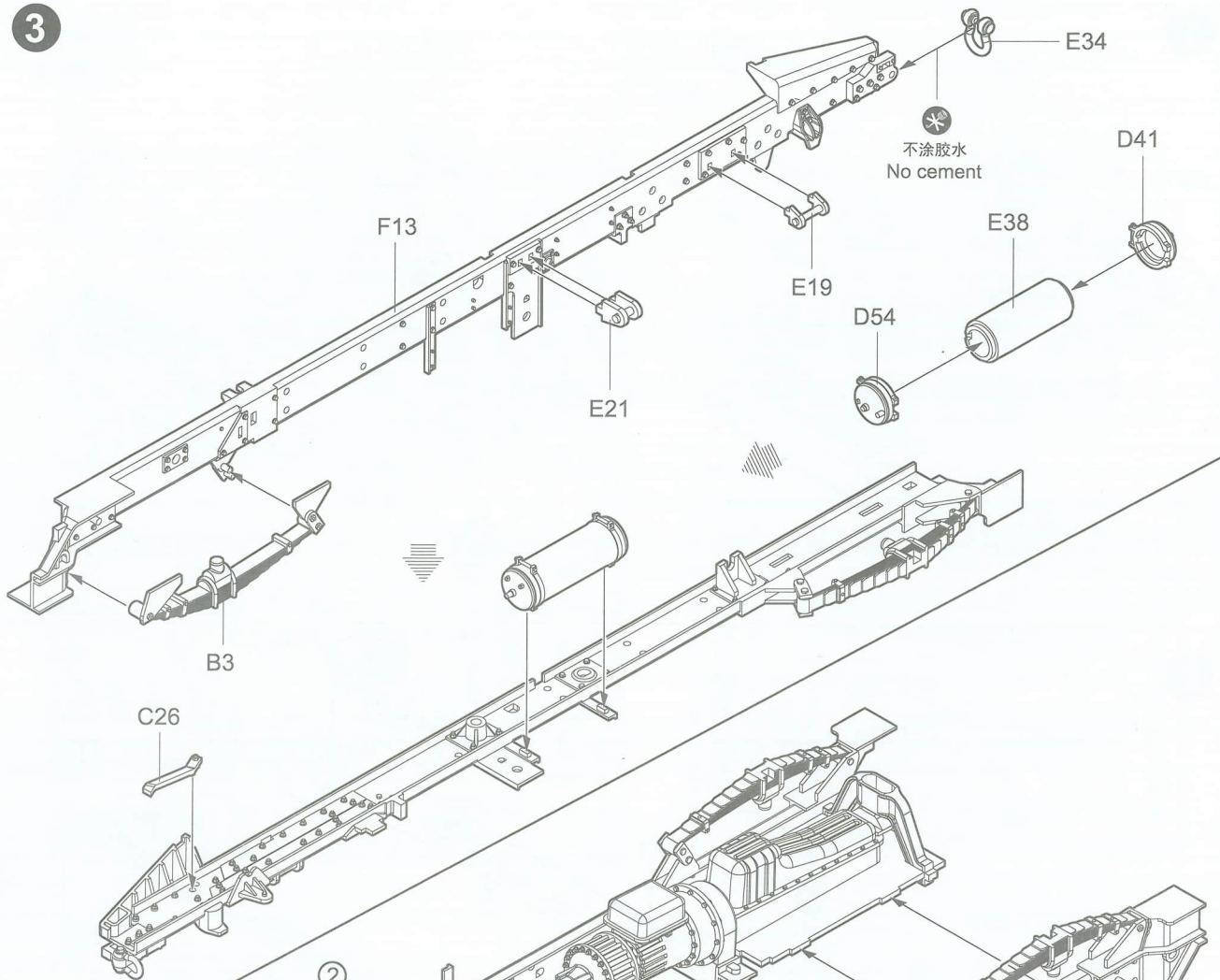
1



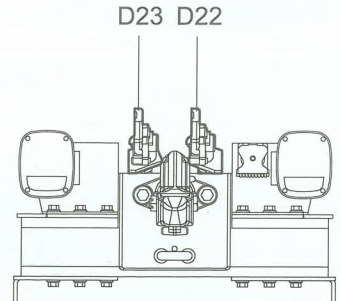
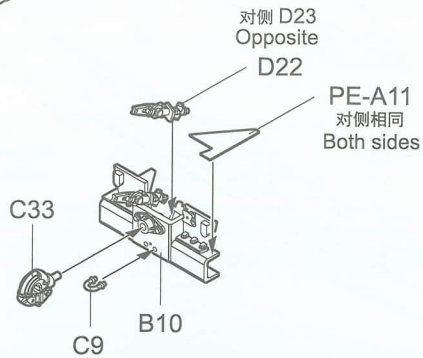
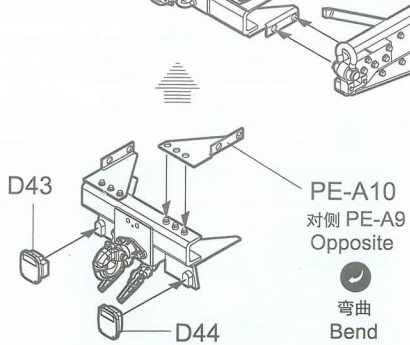
2



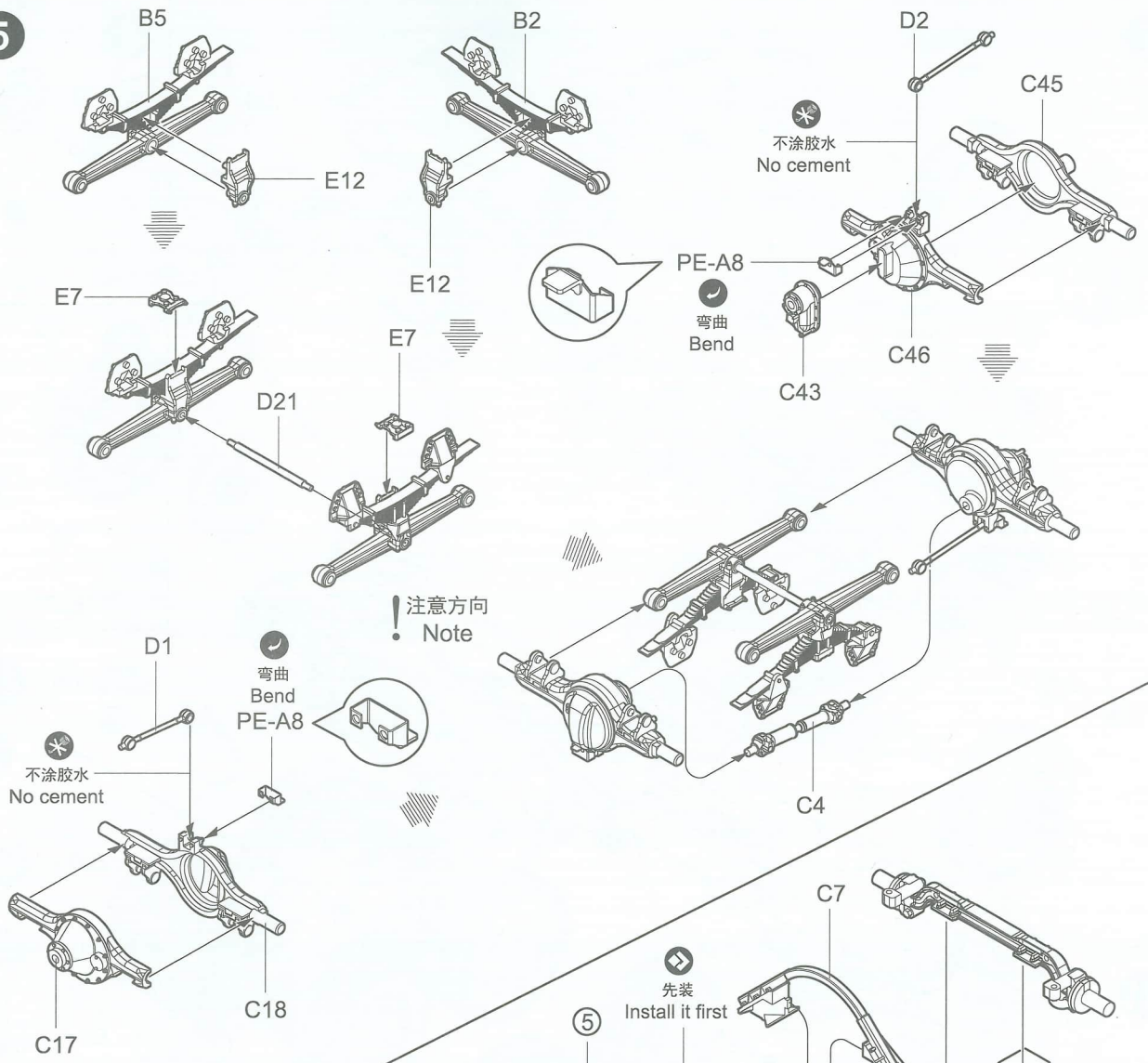
3



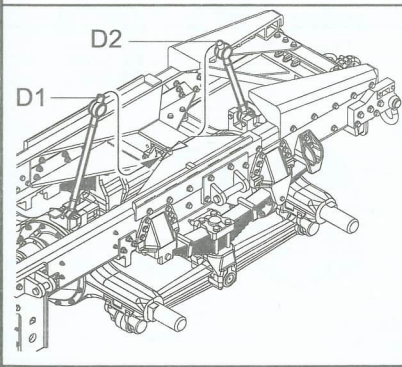
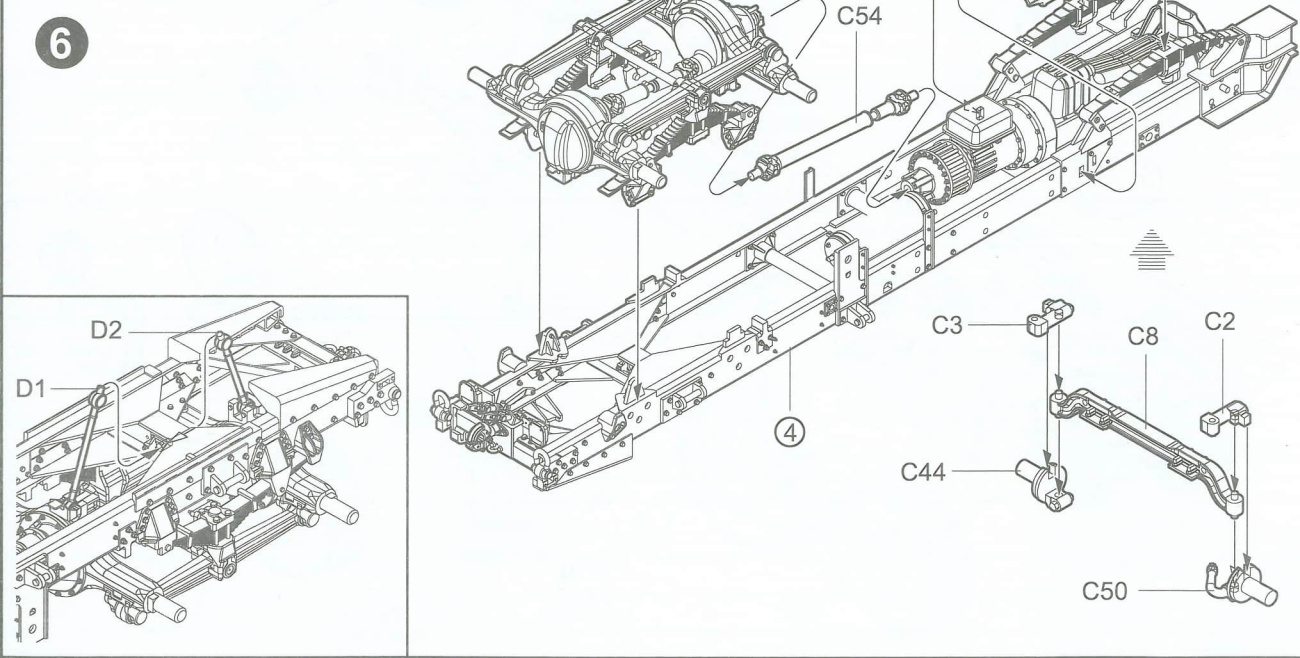
4



5

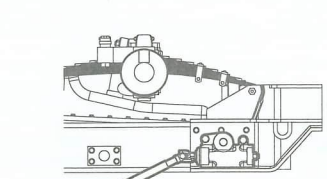


6

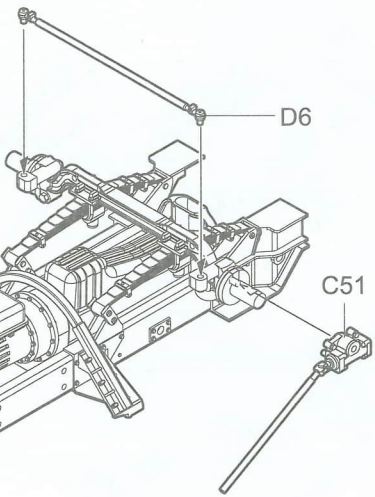


7

C40  
PE-A15  
弯曲  
Bend

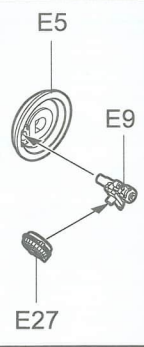


C51

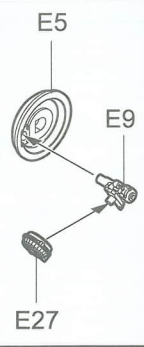


8

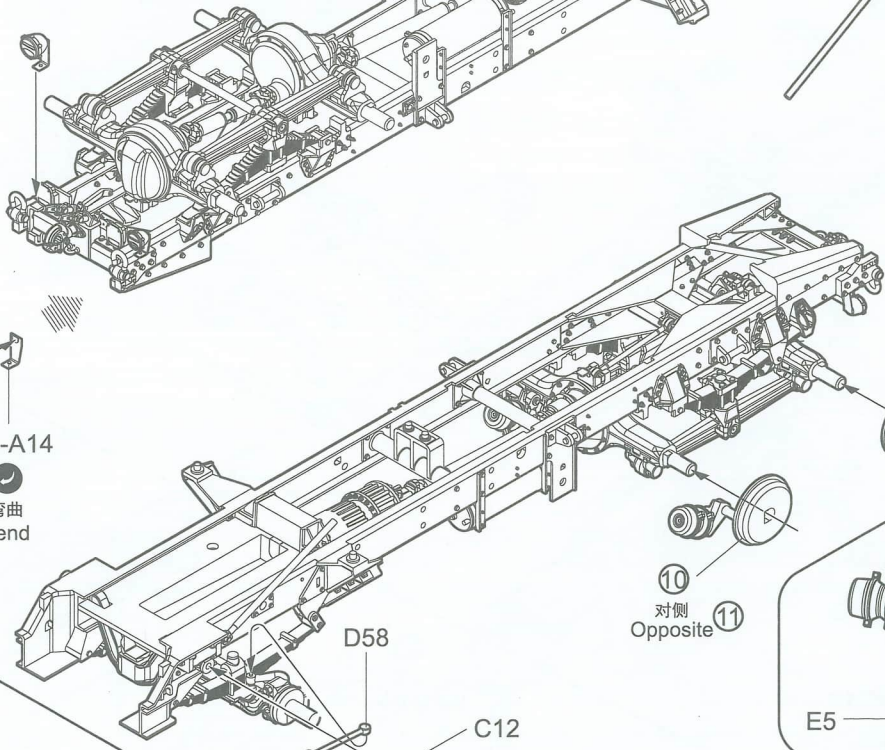
E4  
E10  
E27



9



C41  
PE-A14  
弯曲  
Bend

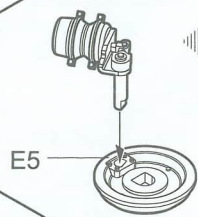


对侧  
Opposite

10

10  
对侧  
Opposite

E37  
E33  
E9



11

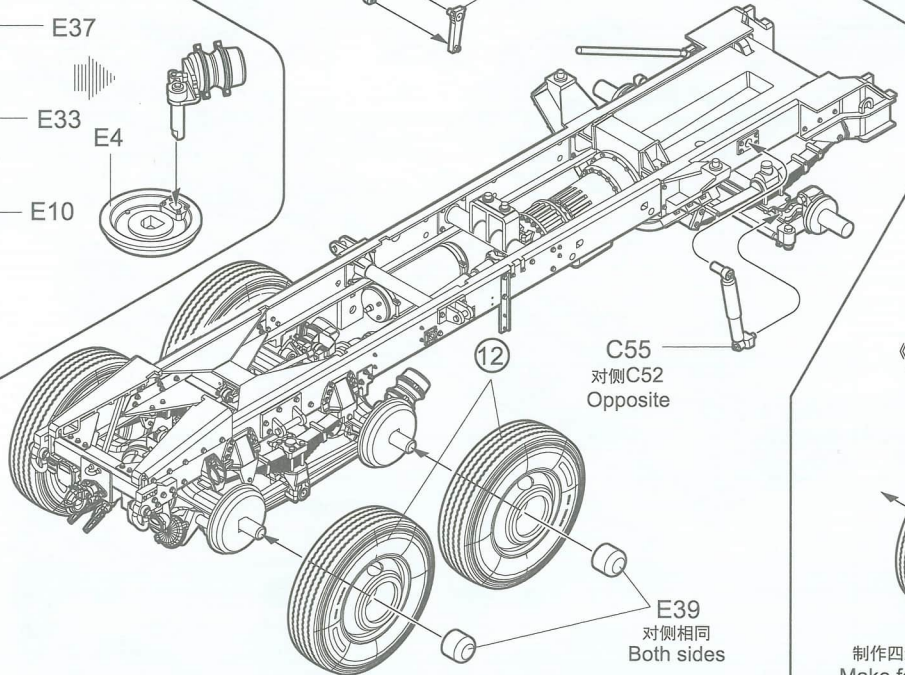
E37  
E33  
E4  
E10

12

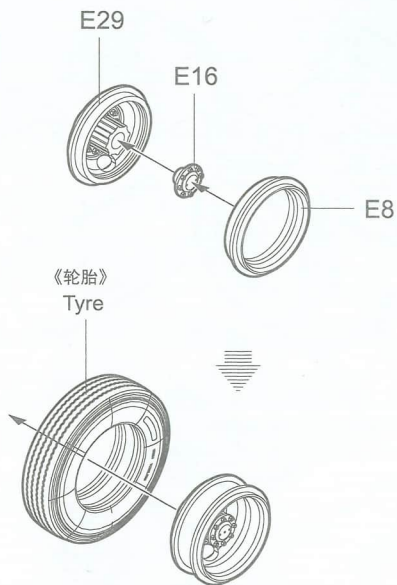
E24  
E13  
《轮胎》  
Tyre  
制作四组  
Make four

C55  
对侧C52  
Opposite

E39  
对侧相同  
Both sides

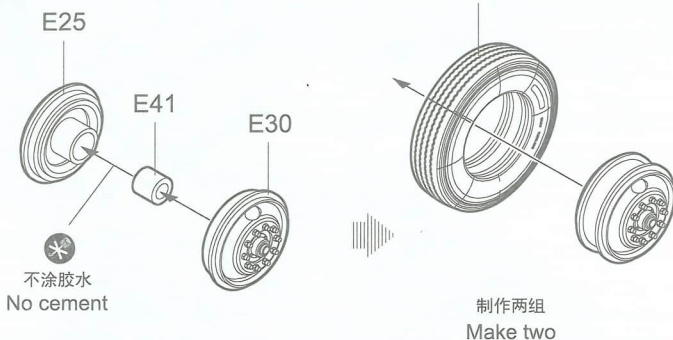


13



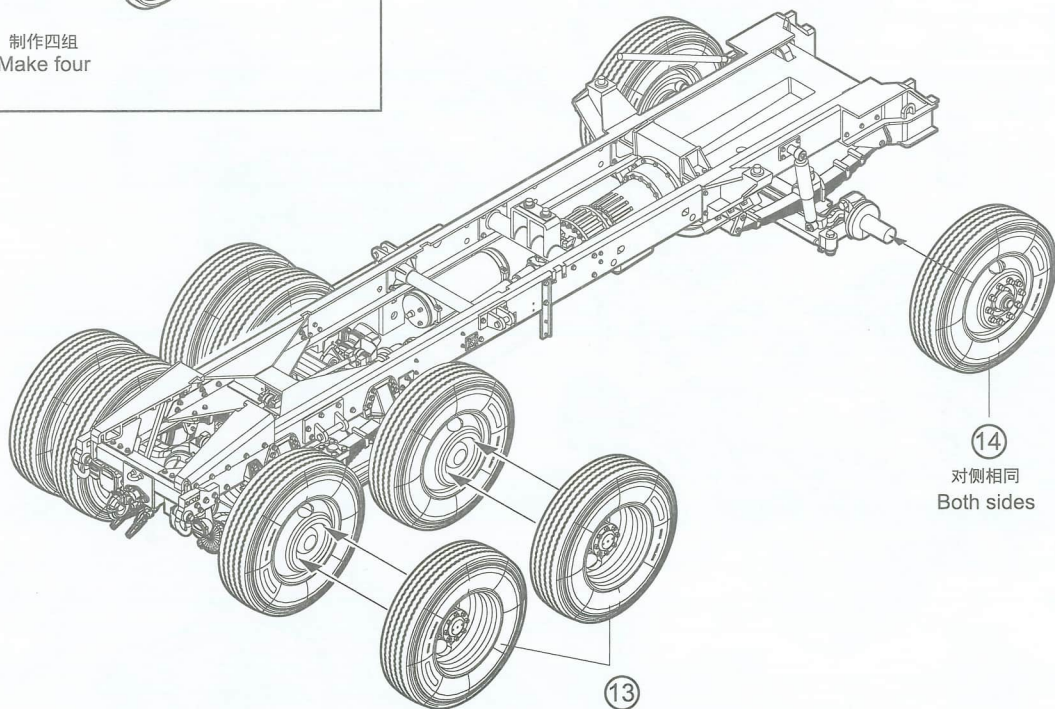
制作四组  
Make four

14



制作两组  
Make two

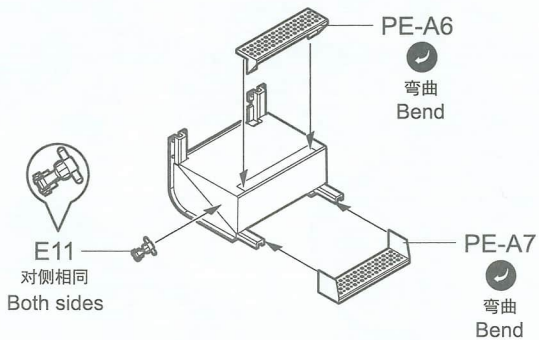
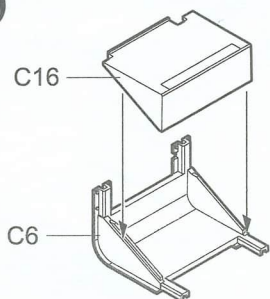
15



对侧相同  
Both sides

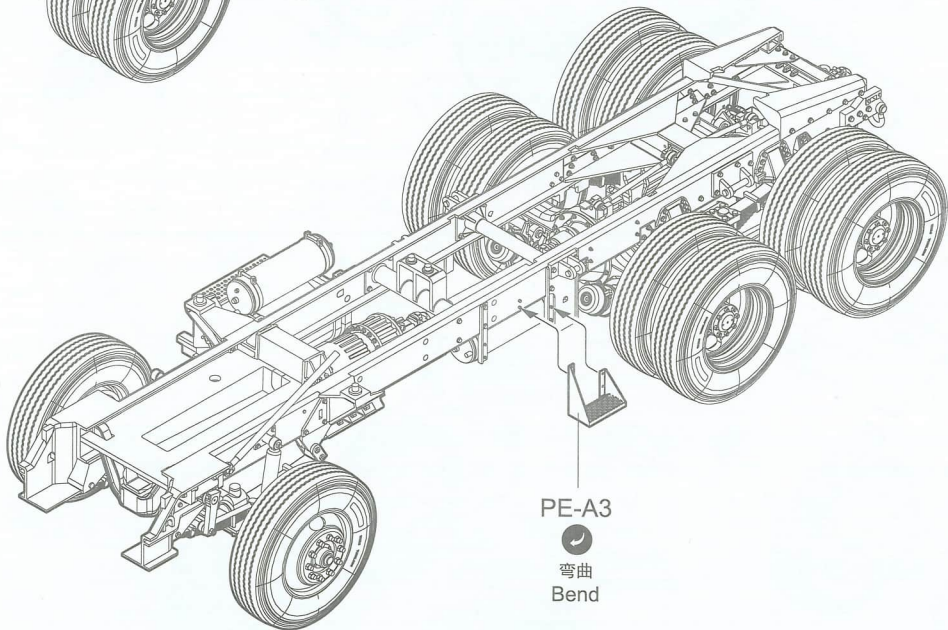
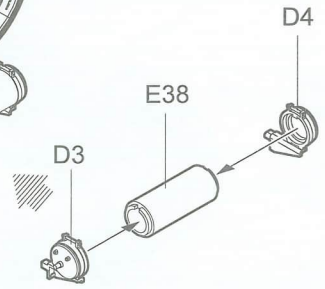
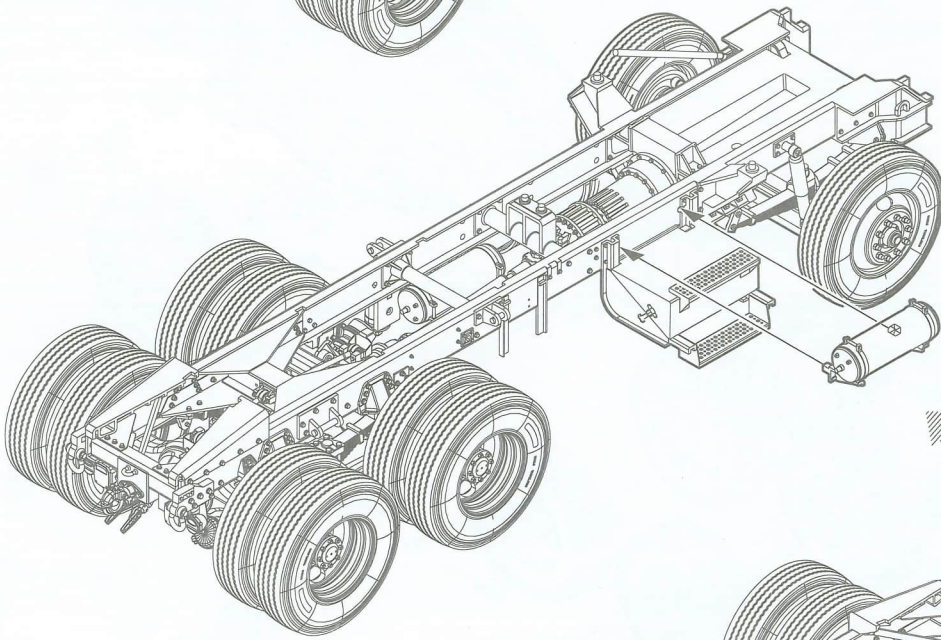
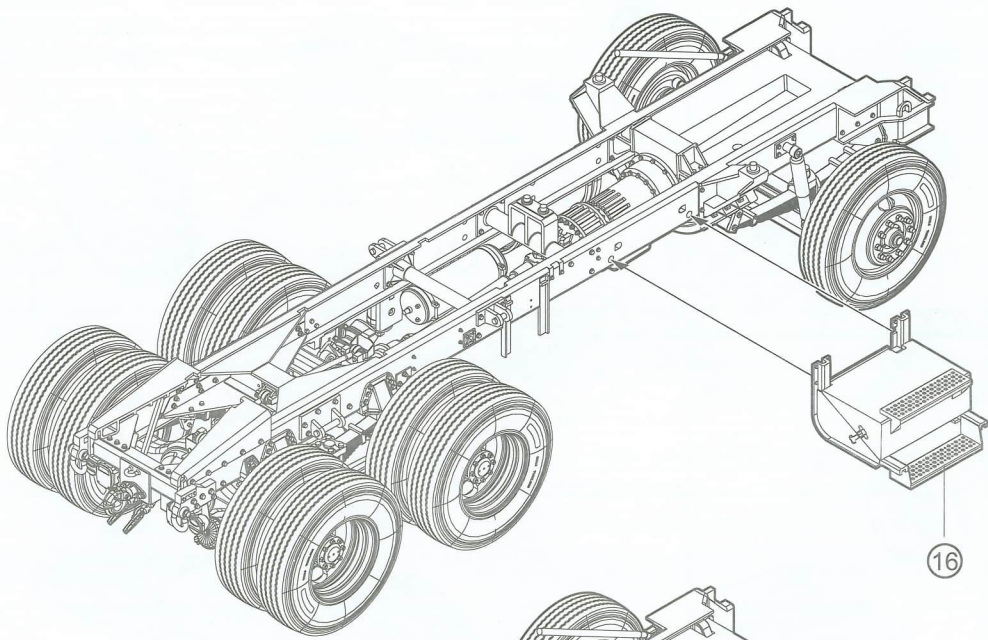
对侧相同  
Both sides

16



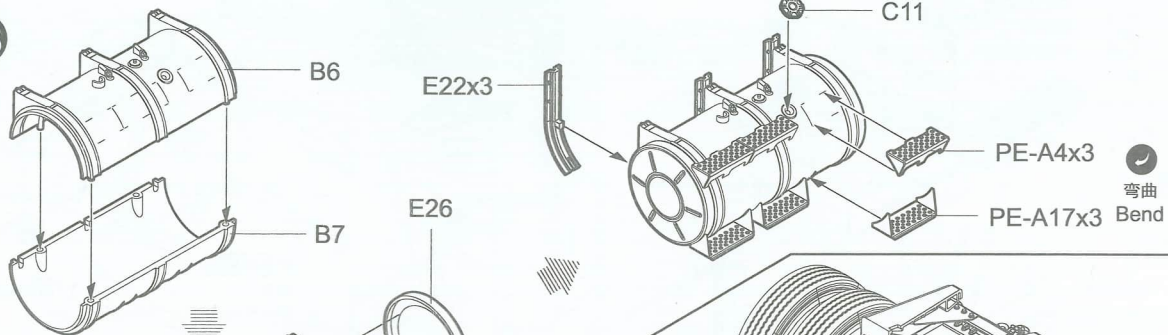
对侧相同  
Both sides

弯曲  
Bend

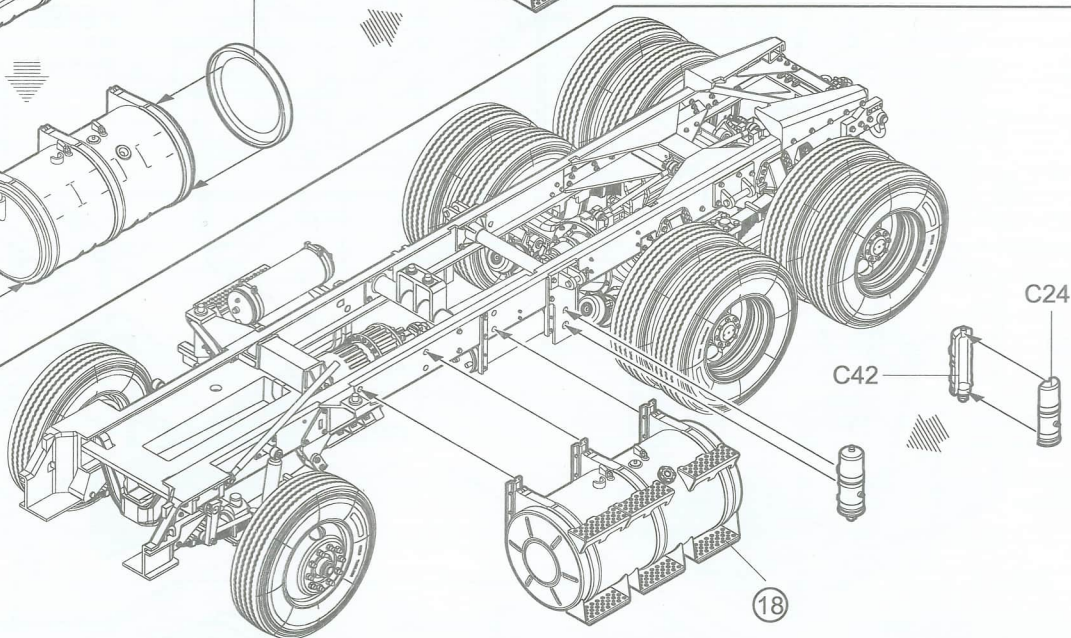


PE-A3  
●  
弯曲  
Bend

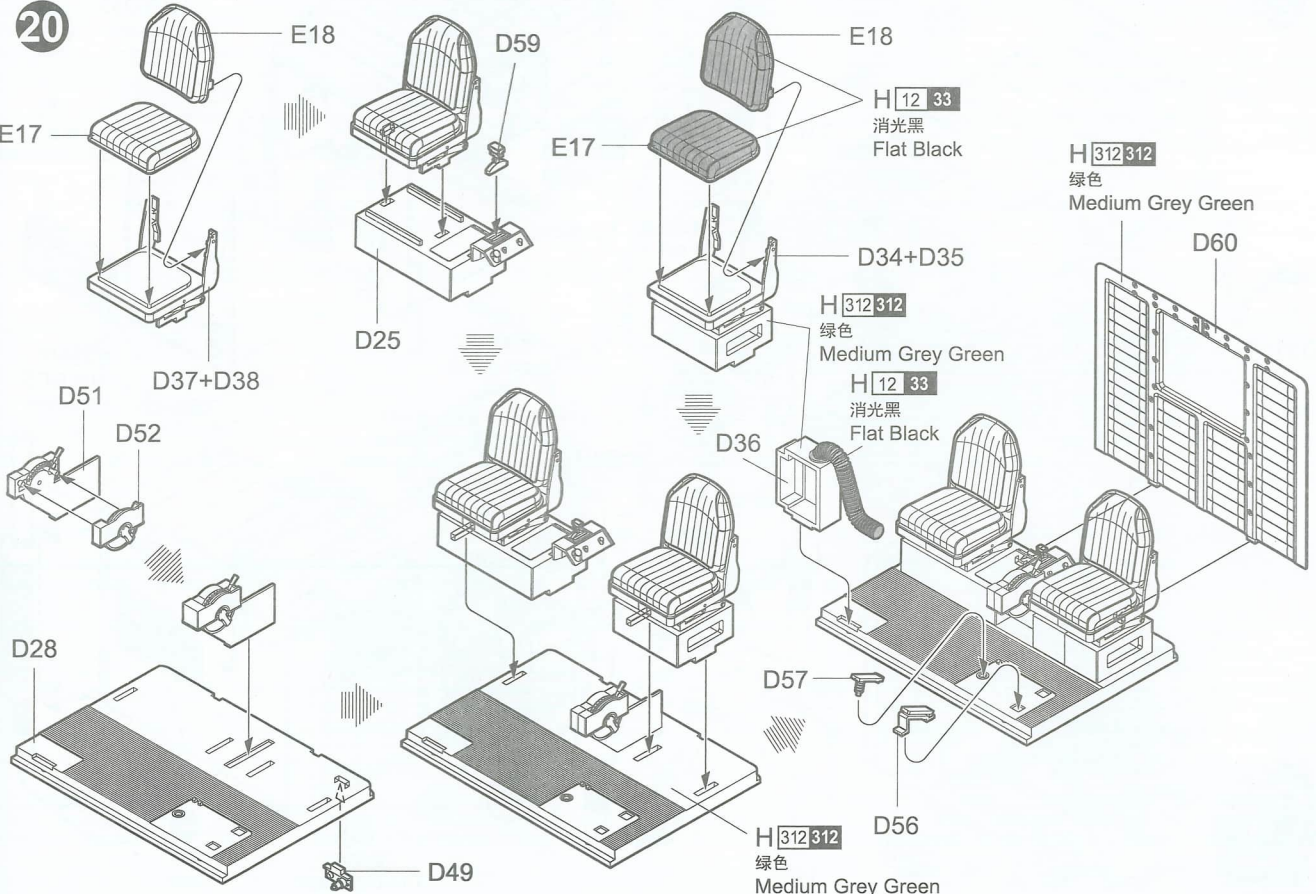
18



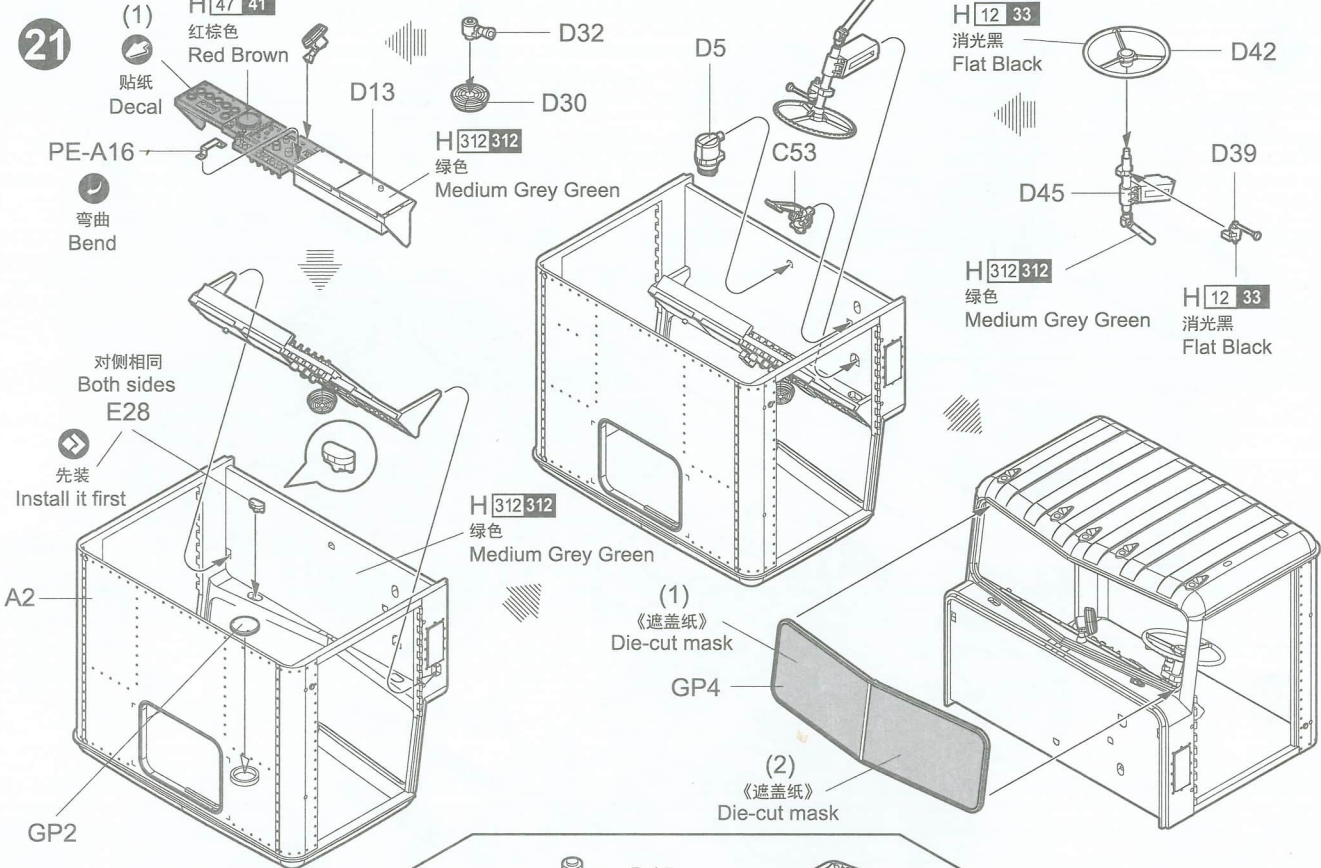
19



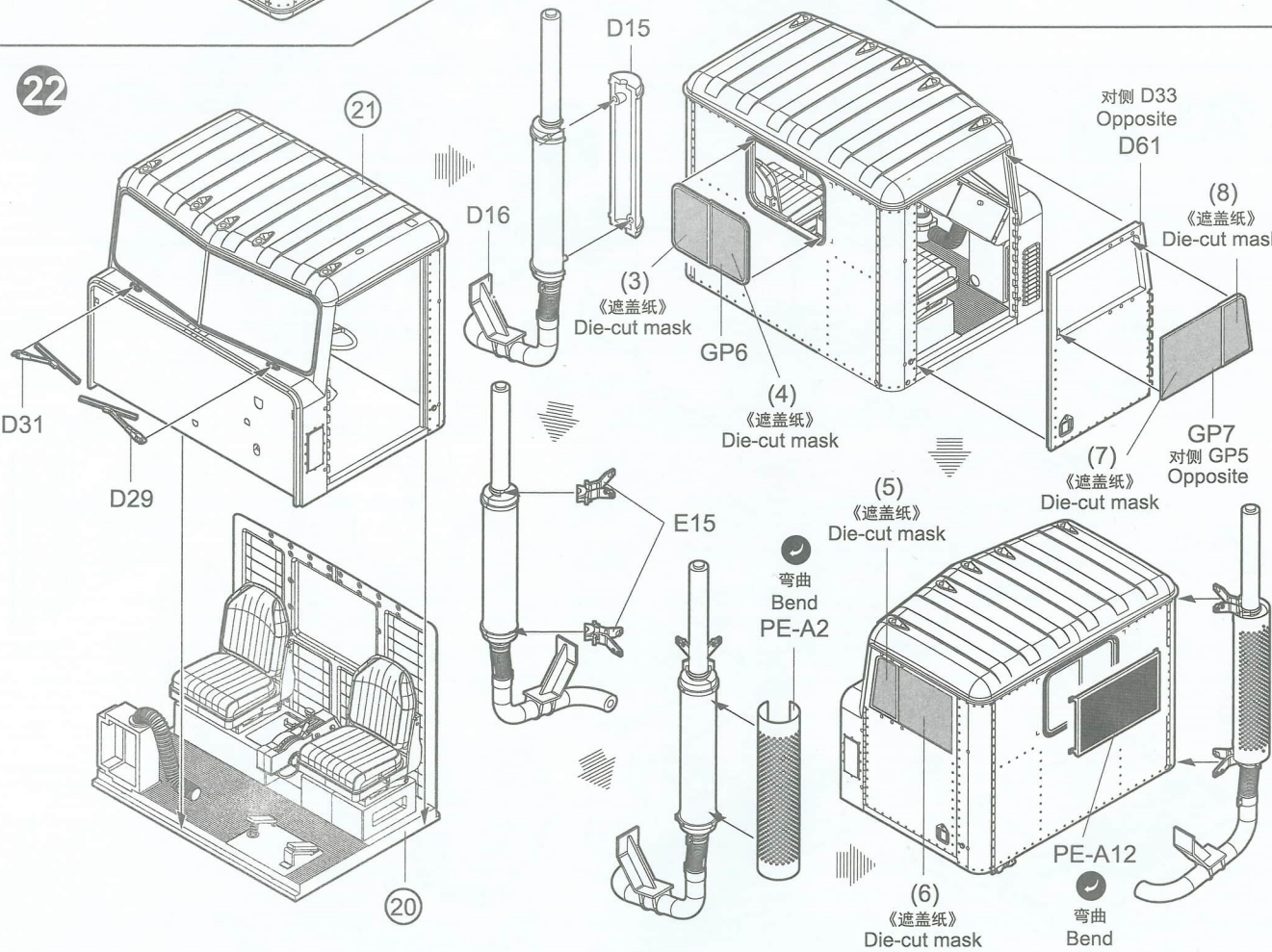
20



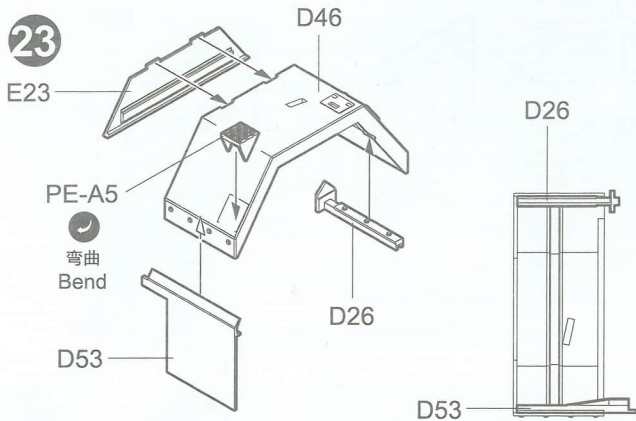
21



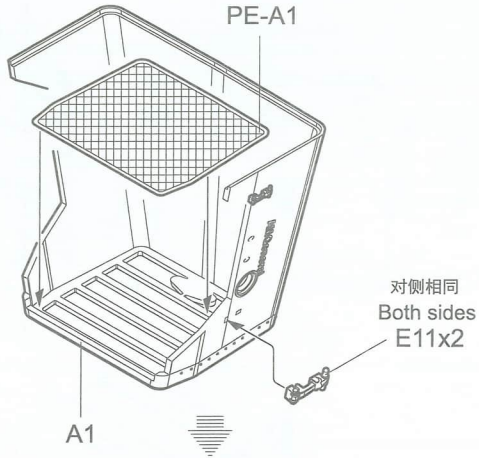
22



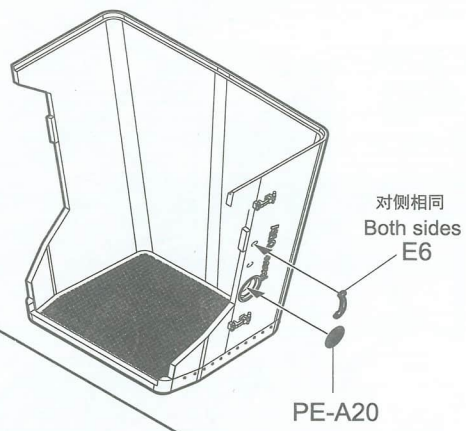
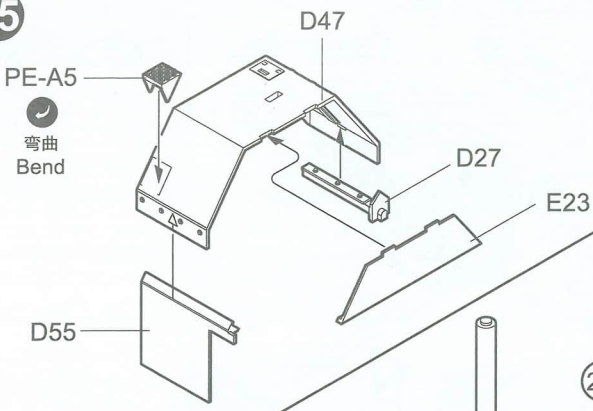
23



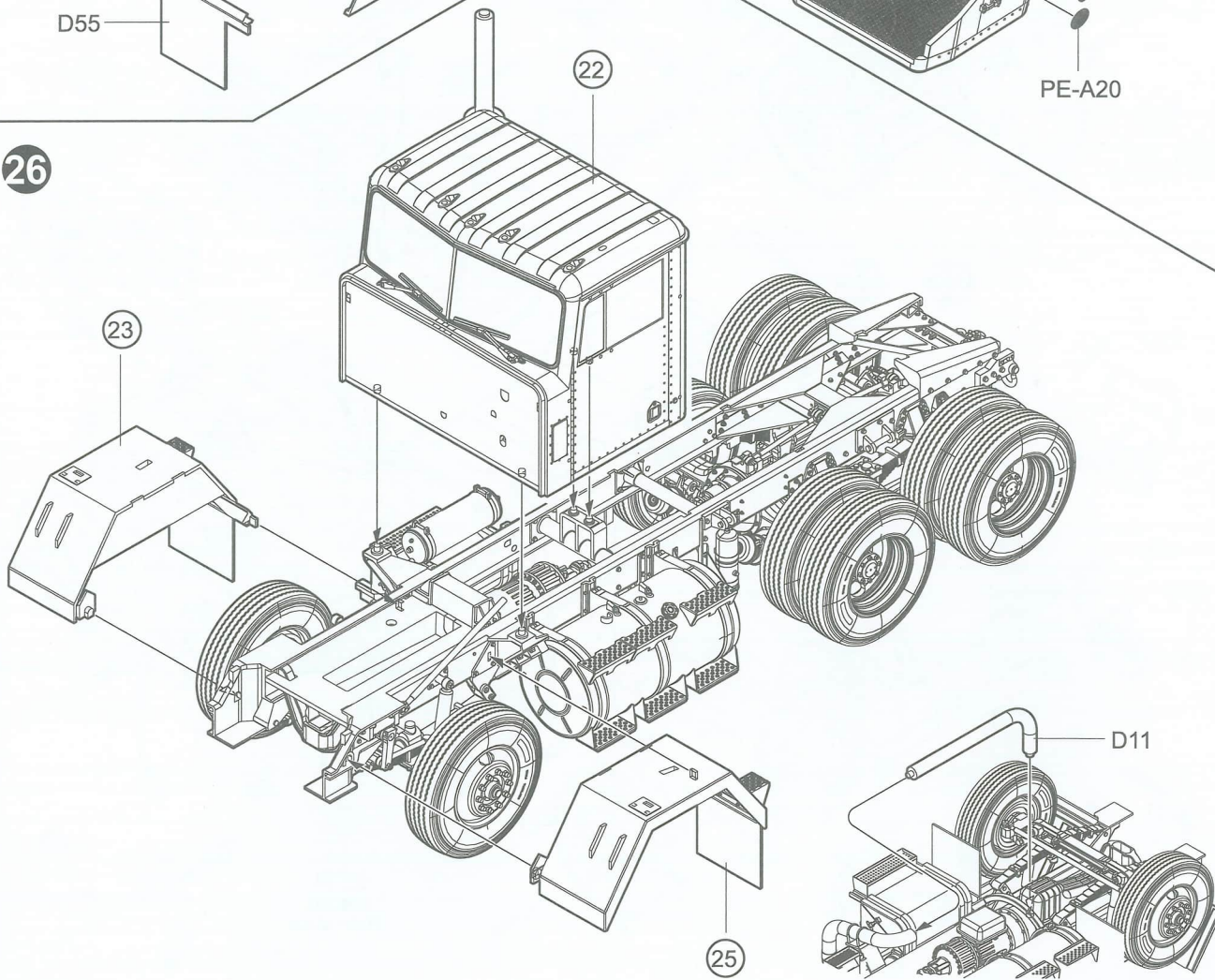
24



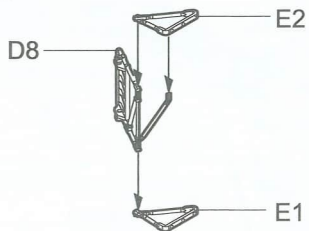
25



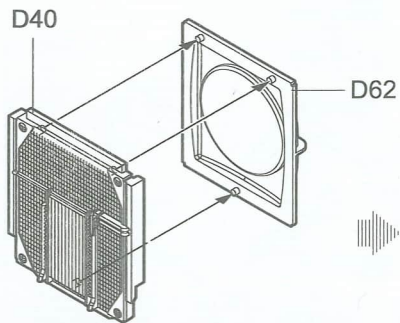
26



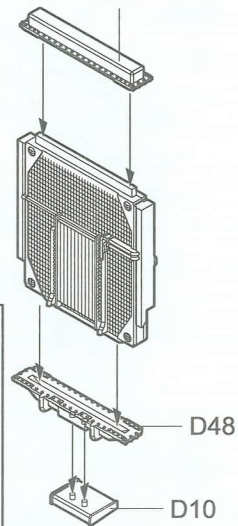
27



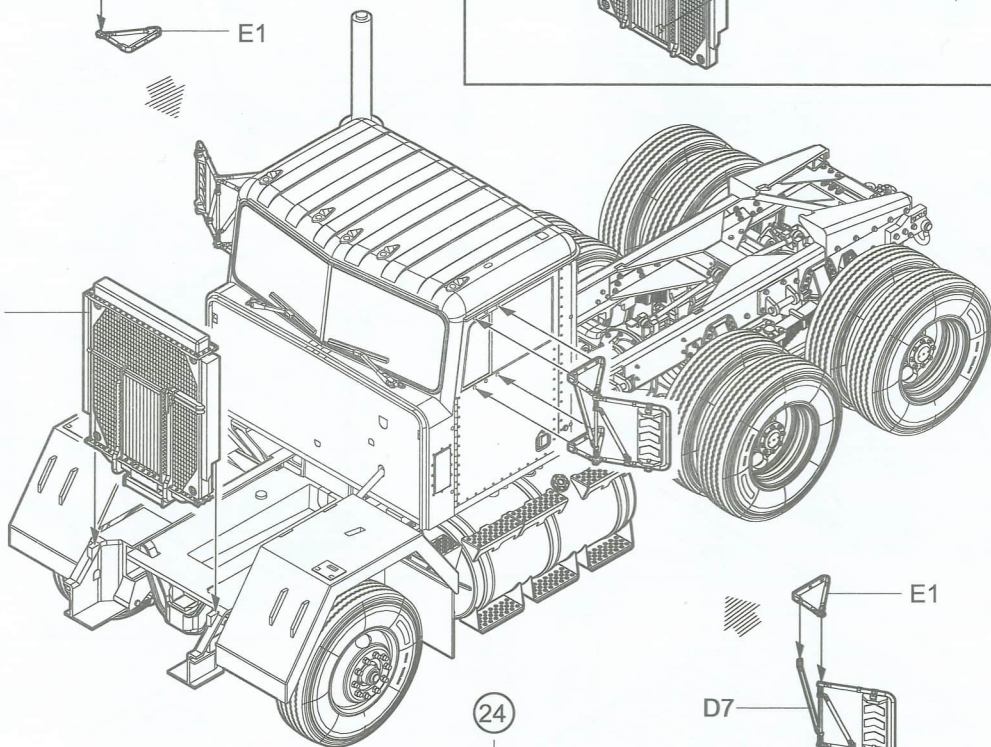
28



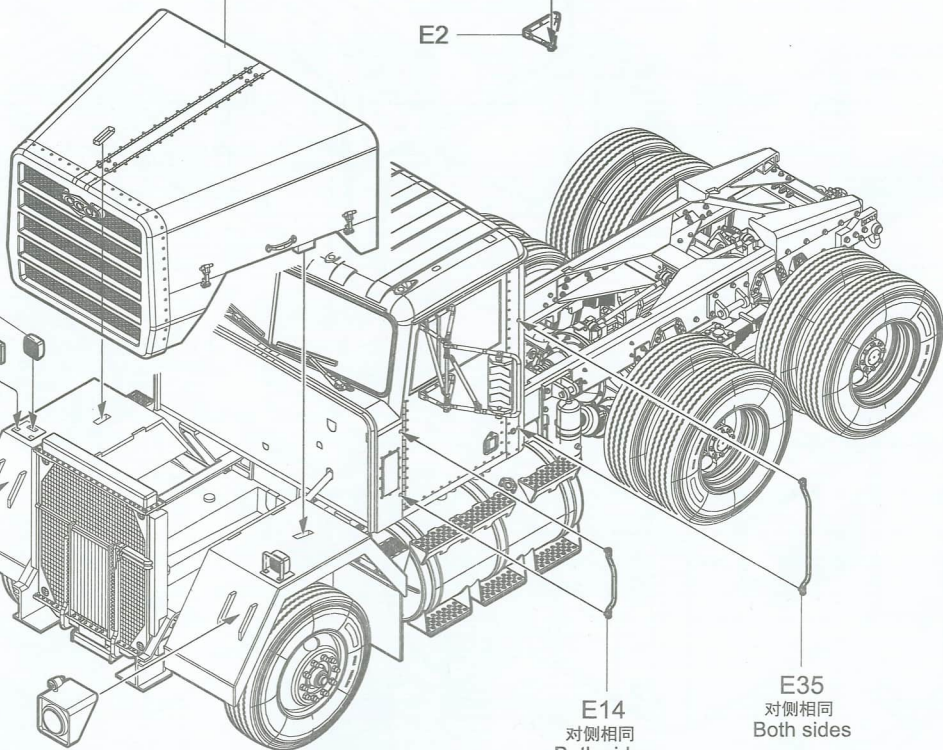
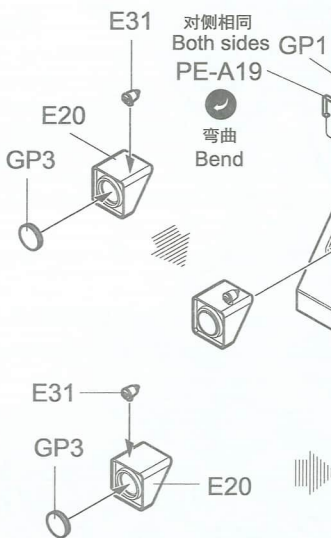
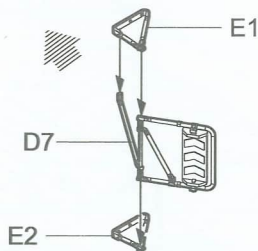
D50



28



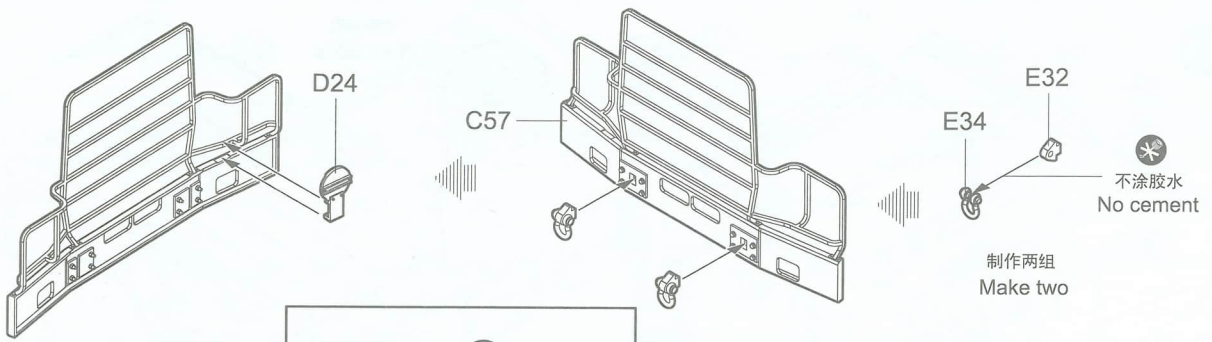
24



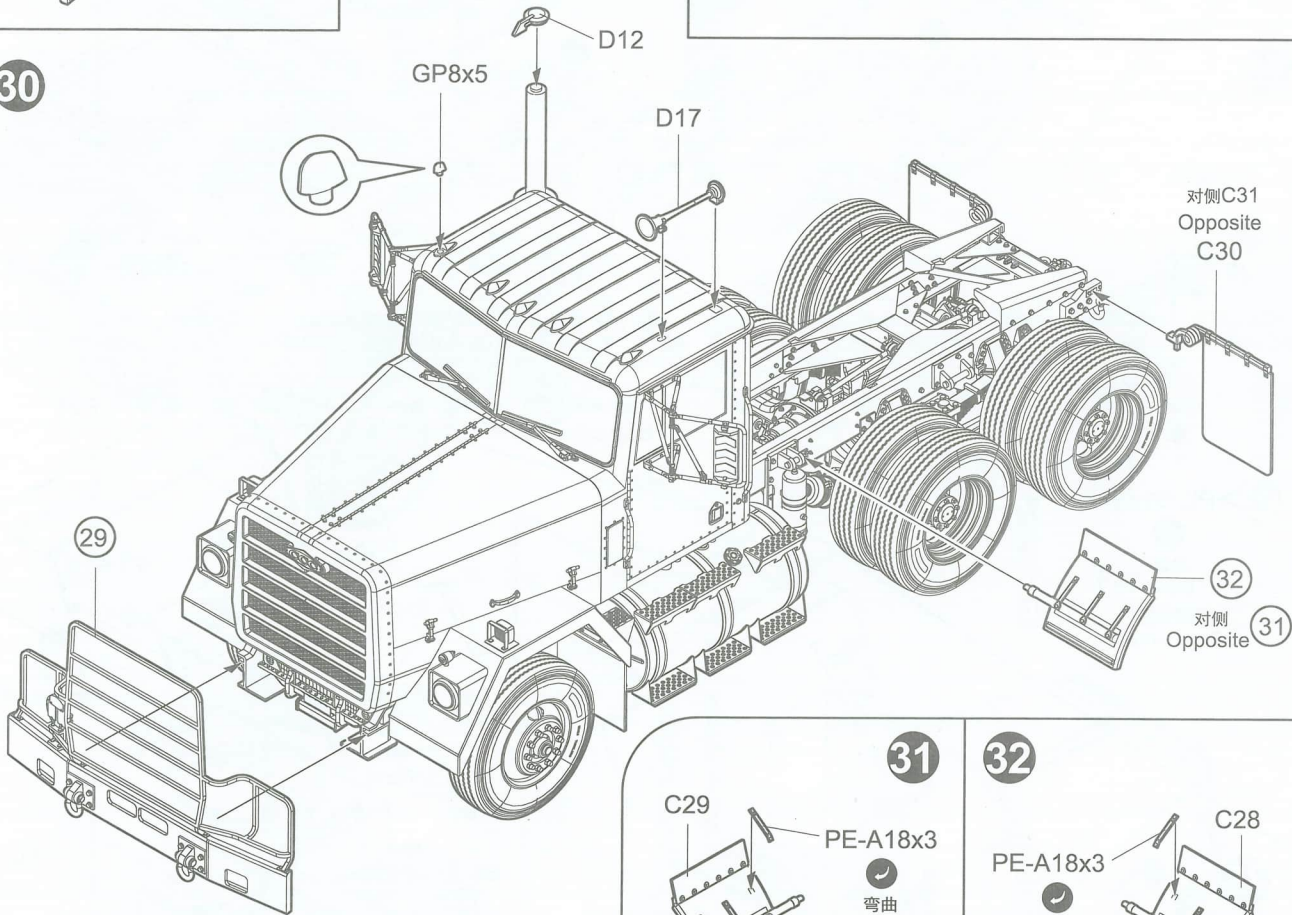
E14  
对侧相同  
Both sides

E35  
对侧相同  
Both sides

29



30



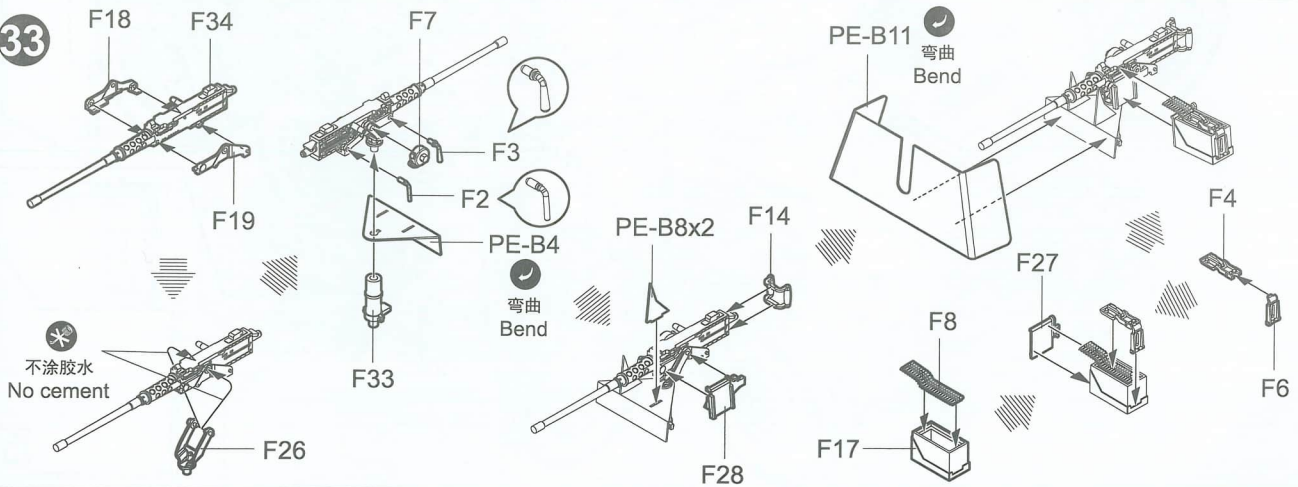
31



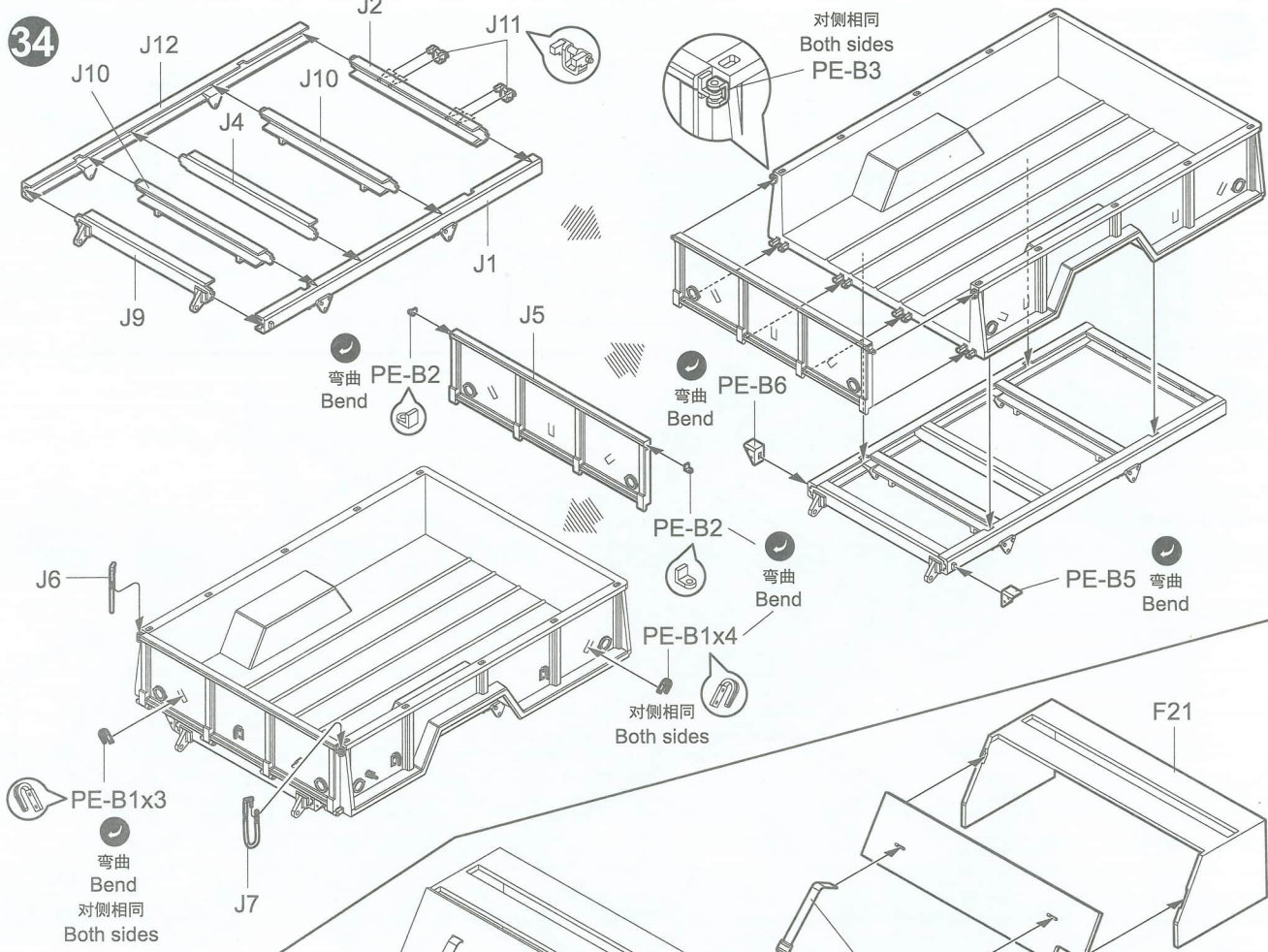
32



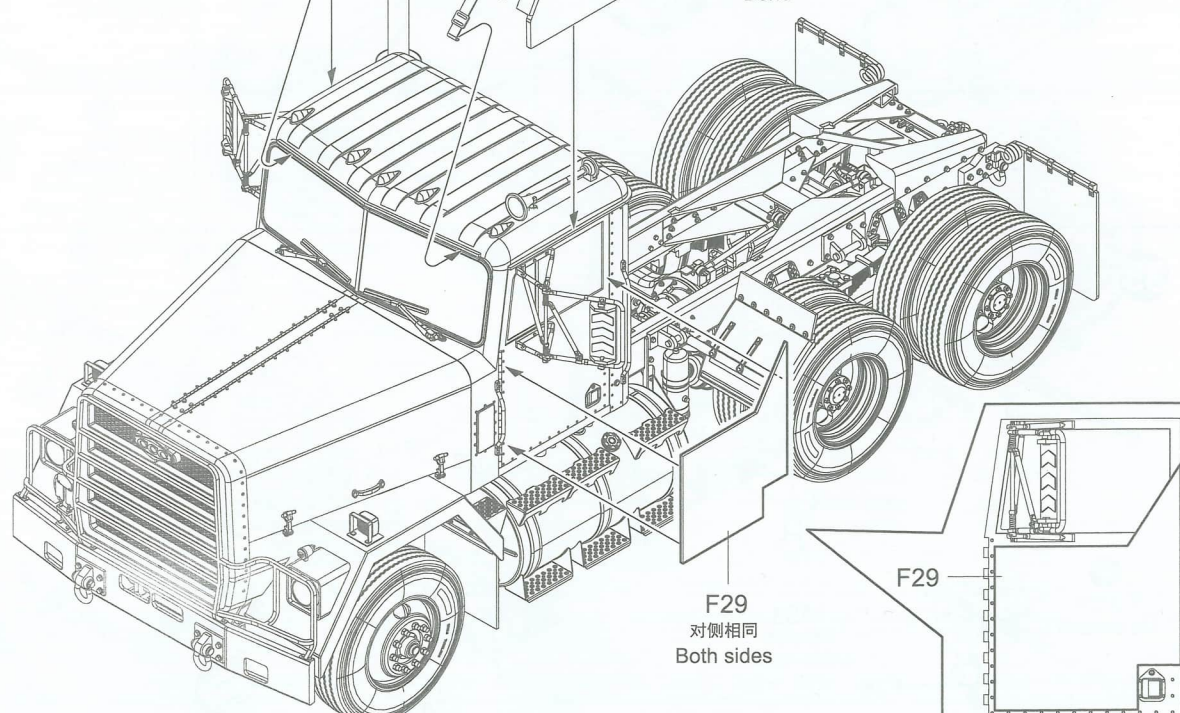
33

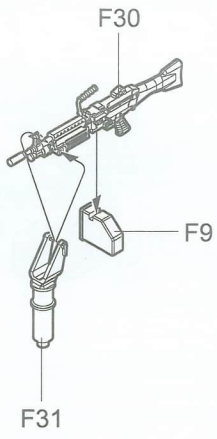
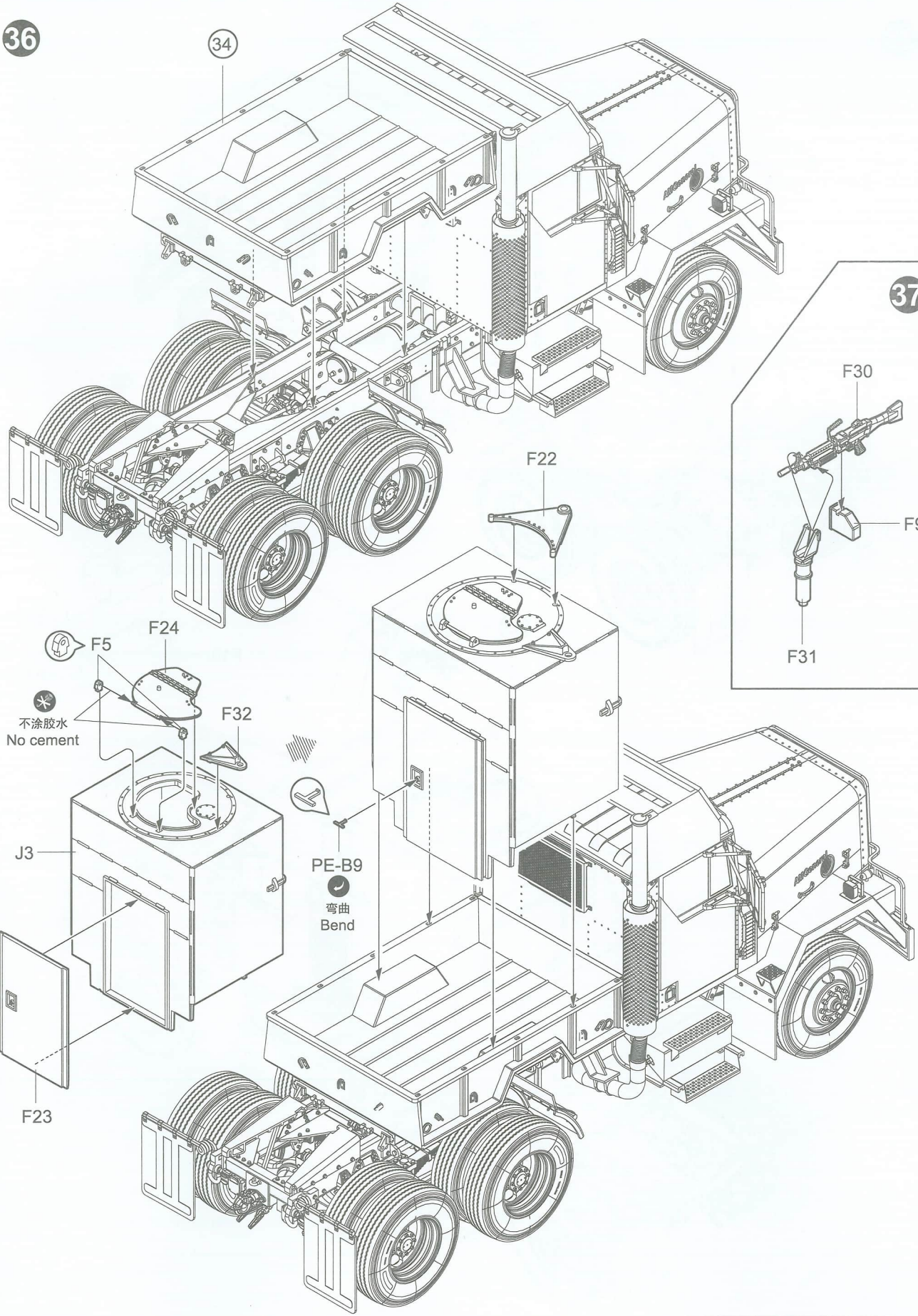


34



35





不涂胶水  
No cement

PE-B9  
弯曲  
Bend

J3

F23

F24

F32

F22

F31

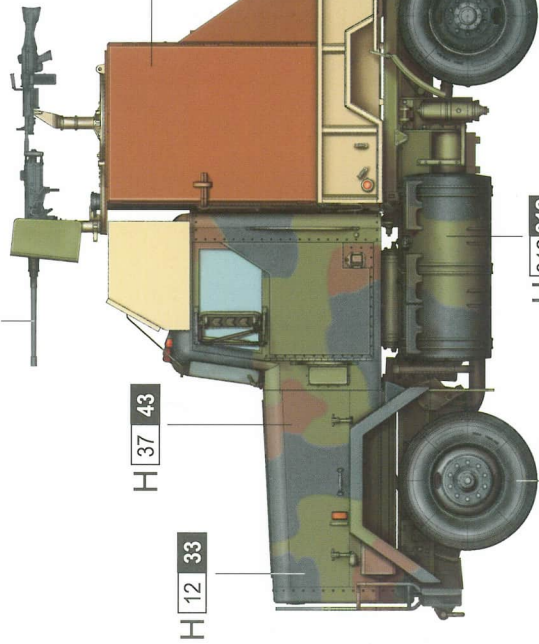
F30

F9

# 涂装同标贴指示

## Painting & Marking guide

H 18 28



H 12 33

H 37 43

H 71 21

H 77 137

H 312 312

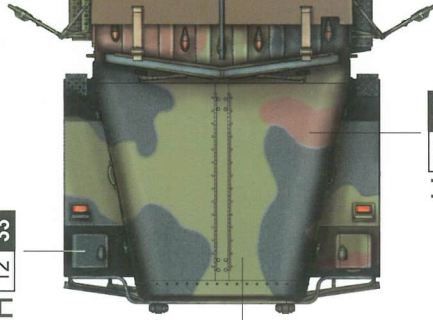
H 18 28

H 18 28

H 18 28

H 37 43

H 12 33



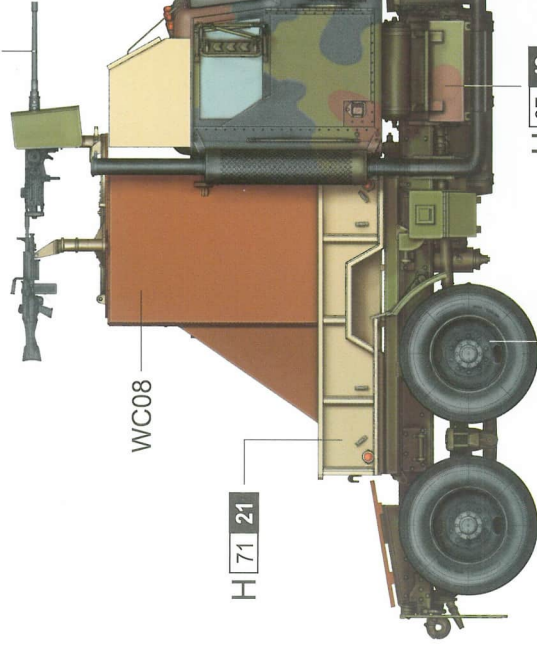
H 37 43

H 312 312

WC08

H 71 21

H 312 312



H 71 21

WC08

H 312 312

H 12 33

H 37 43

H 18 28

H 18 28

H 312 312

H 71 21

H 12 33

WC08

H 37 43

H 71 21

H 12 33

H 77 137

H 18 28

H 312 312

H 71 21

H 12 33

H 77 137

WC08

H 37 43

H 71 21

H 12 33

H 77 137

PAINT REFERENCE COLOR													
Color	Mr.Hobby	Acrycion	Vallejo	Model Master	Tamiya	Humbrol	Color	Mr.Hobby	Acrycion	Vallejo	Model Master	Tamiya	Humbrol
Medium Grey Green 绿色	H 312 312	N 312	-	1716	-	120	Tire Black 胎黑色	H 77 137	N 77	-	-	XF85	-
Middle Stone 土黄色	H 71 21	N 71	821	-	-	84	Steel 黑铁色	H 18 28	N 18	864	1402	XF84	-
Wood Brown 木棕色	H 37 43	N 37	983	1701	-	186	Rust Orange 铁橙色	WC08	N	-	-	-	-
							Flat Black 消光黑	H 12 33	N 12	950	1749	XF1	33