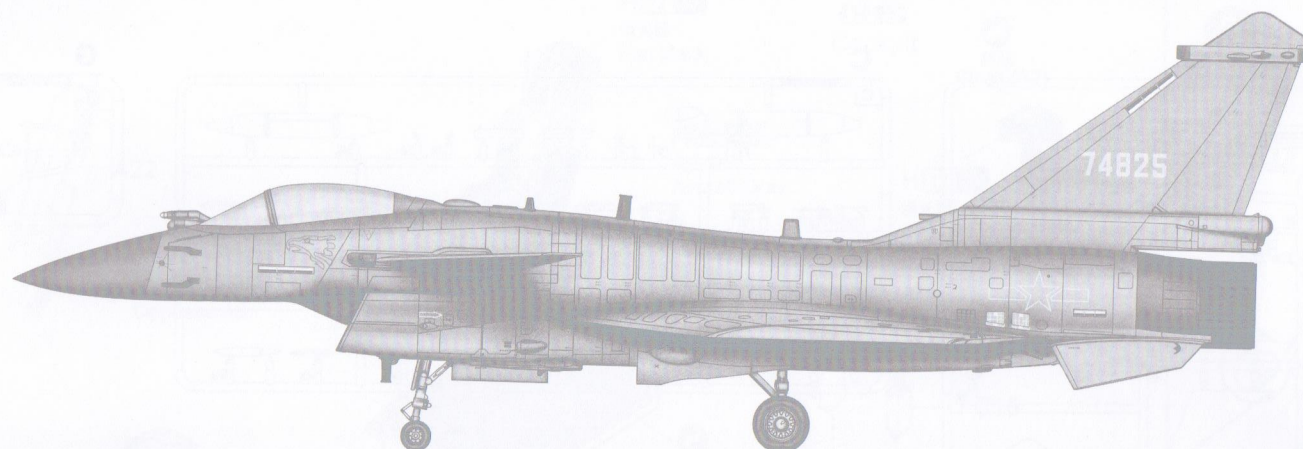


1/72 SCALE

ITEM NO.:01698



Chinese J-10C Fighter

中国J-10C战斗机

READ BEFORE ASSEMBLY:

- This kit is not recommended for inexperienced modelers or for children under 14 years of age
- Study and understand these instructions thoroughly before beginning assembly
- When needed, remove photo-etch parts carefully using a modeling knife or photo etch sprue cutter, being careful not to damage or lose small parts.
- Take extra care in handling photo etch parts in order to avoid injury
- Apply instant cement sparingly to photo etch parts where instructed

- Tools recommended(not included in kit):Plastic and instant cements,sprue cutters,long nose pliers,modeling knife, small files, tweezers, pin vise & scissors. Soft cloth and sandpaper will also assist in construction
- Glue and paint are not included in the kit. Use plastic cement and hobby paints only. Color guide for purchasing paint is included in the kit.
- Keep out of reach of children. They must not be allowed to ingest small parts or handle plastic bags in any way.

装配之前仔细阅读

- 小心用模型锉刀锉平所有零件表面的注射浇口。
- 小心用刀片切下蚀刻片零件，不要遗失小零件。
- 用强力快干胶水粘合蚀刻片零件和金属轴。过量的快干胶水使用可能导致可动零件会粘住，小心涂胶。
- 取蚀刻片时应特别注意安全，防止利边划伤手指。
- 某些零件表面需贴水上贴纸，请选择在装配的同时进行。
- 推荐模型工具(自备)：胶水，水口剪刀，长咀钳，刀片，锉刀，镊子钳，钻，剪刀，瞬间快干胶。
- 软布同砂纸同时也是所需工具。
- 请使用塑料胶水和油漆，模型内不含。
- 谨防小孩吸吮塑料零件，或者将塑料袋套在头上，制作时应将套材远离小孩接触。
- 本产品不适合14岁以下没有经验的模型爱好者。

*说明书中含有重要信息，应保留。 Please Keep instruction since it contains important information.

水贴纸的使用:

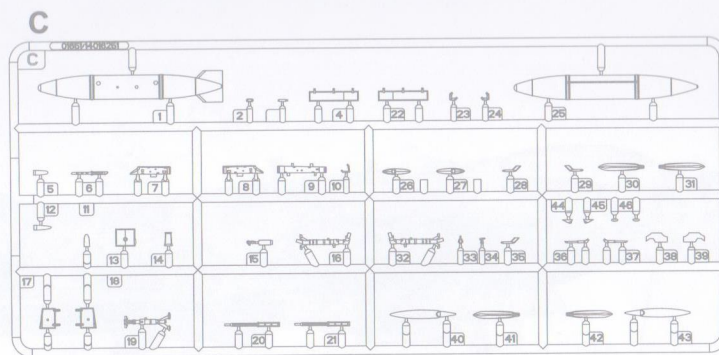
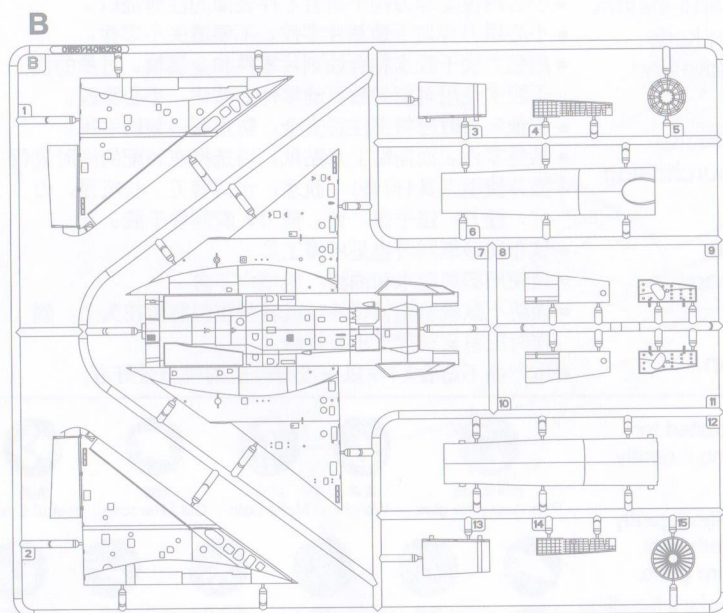
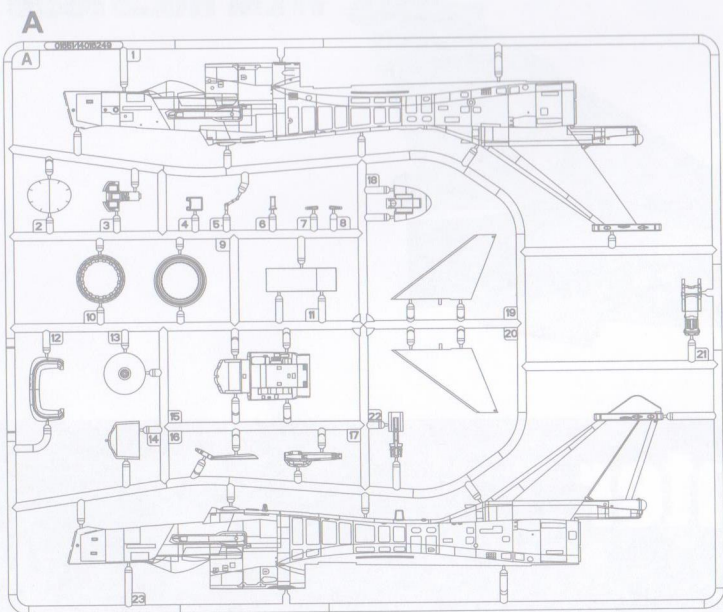
1. 从水贴纸上剪下印花;
2. 将印花放入温水中浸10秒，然后放在干净布上;
3. 拿着印花纸板将印花移到模型上;
4. 手指蘸水将印花移到适当的位置;
5. 用软布轻压印花直至水干，气泡消失。

DECAL APPLICATION:

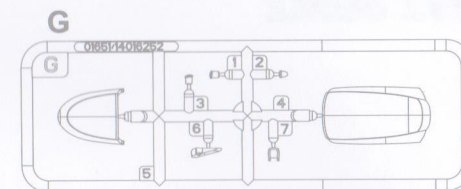
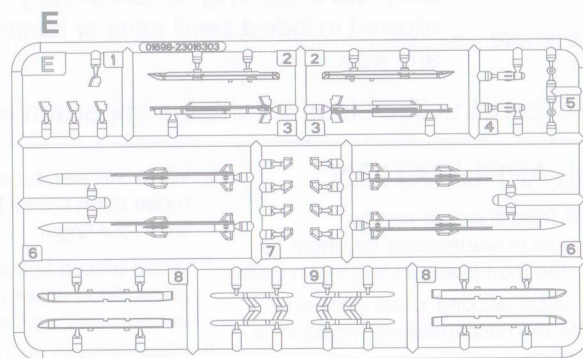
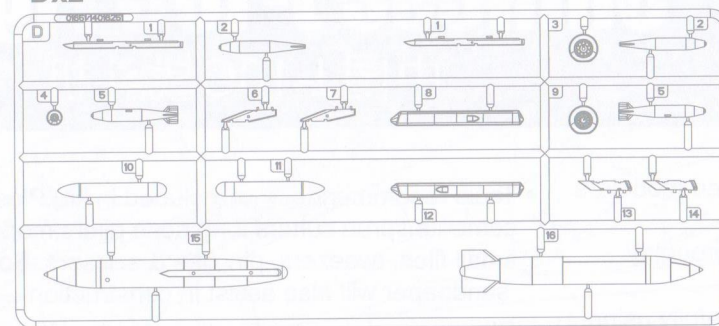
1. Cut decals from sheet as needed
2. Dip the decal in warm water for about 10 seconds and then place on soft clean cloth.
3. Hold the decal backing sheet edge and gently slide the decal onto the model in its proper position.
4. While still wet, decal can be adjusted for better fit on model by dampening it gently with your finger.
5. When placed in the proper position, gently press decal down with a soft cloth until excess water and air bubbles are gone.
6. Allow decal to dry completely before handling model



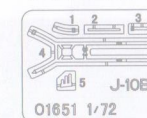
部品图 Parts



Dx2

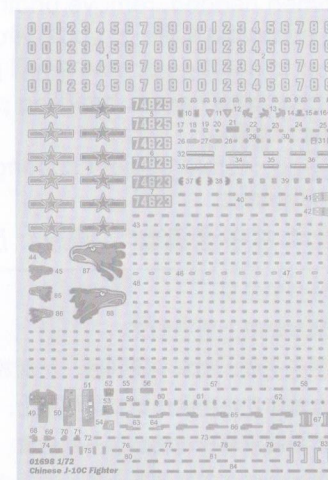


《蚀刻片》
Photo Etched

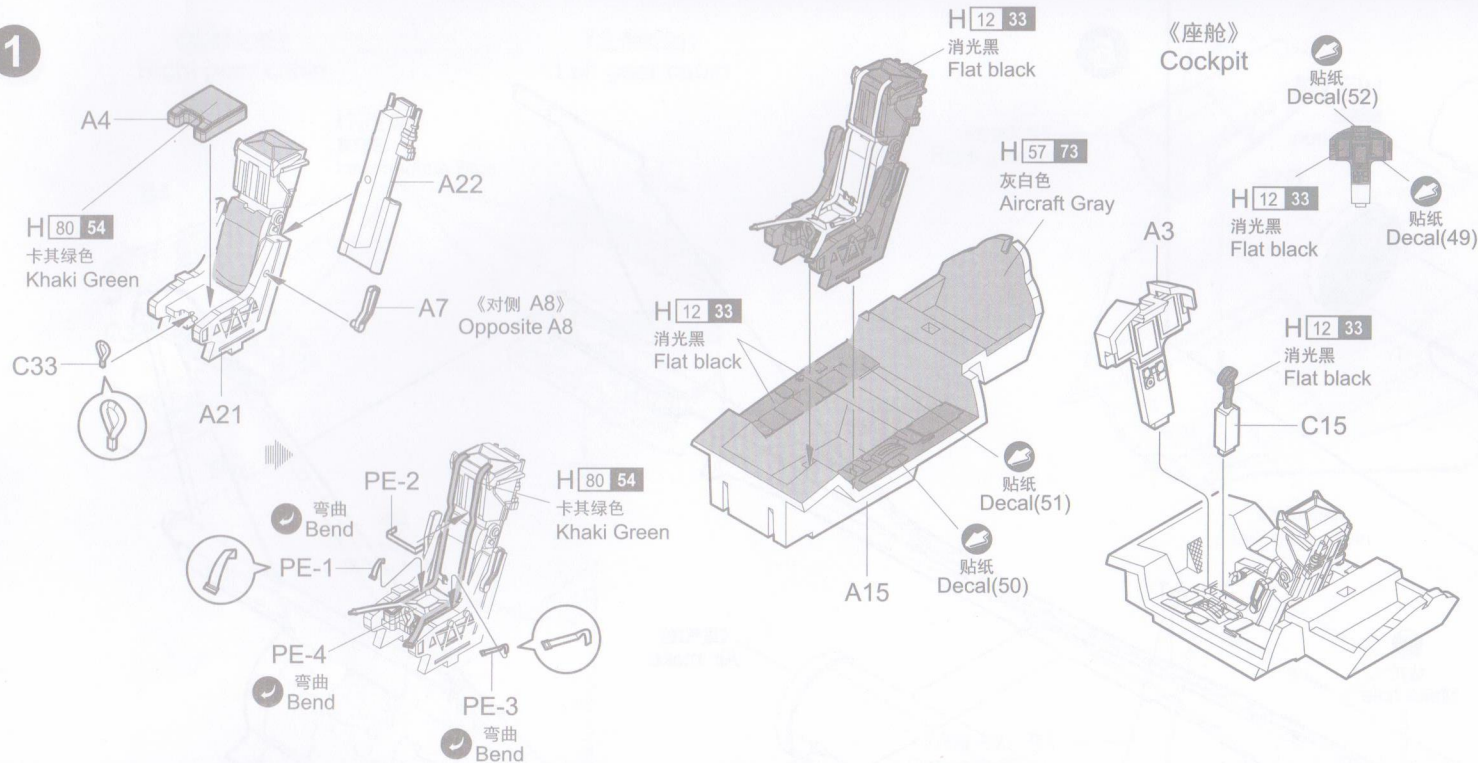


不用的部件: C26, C27, C30, C31, C46,
Unused parts D1, D2, D5,

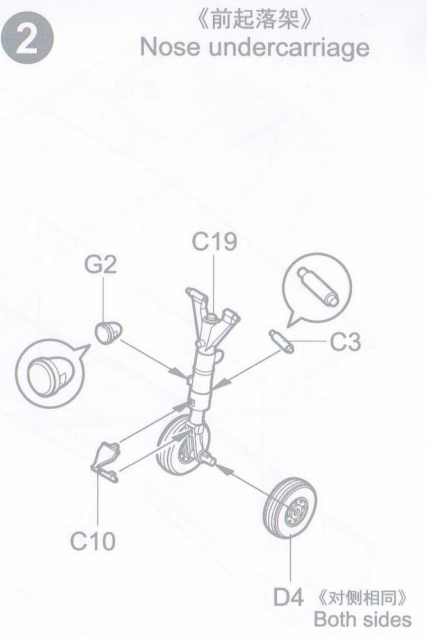
《水贴》
Decal



1

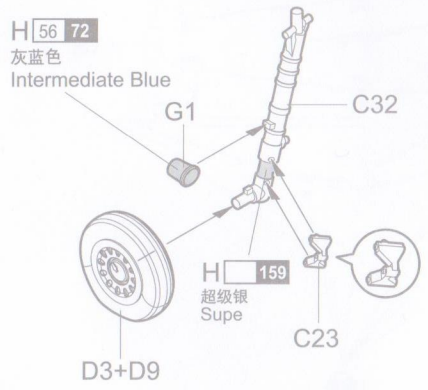


2

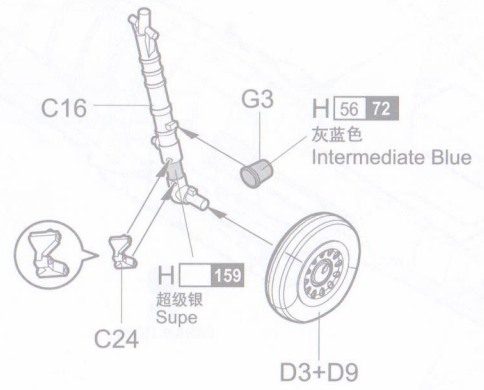


3

《右侧起落架》
Right undercarriage

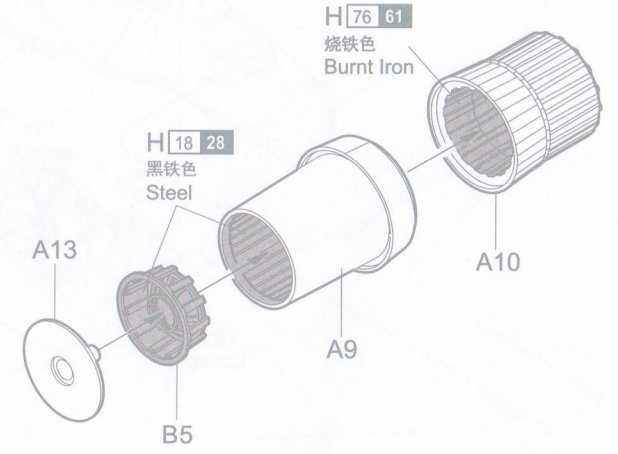


《左侧起落架》
Left undercarriage

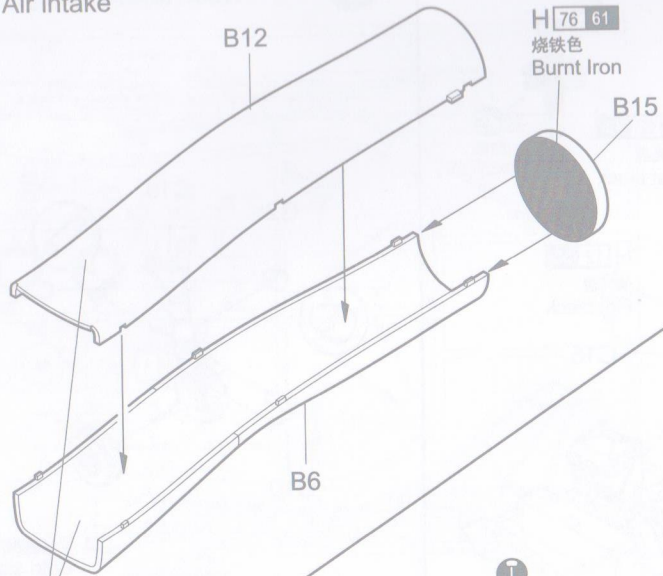


4

《发动机》
Engine

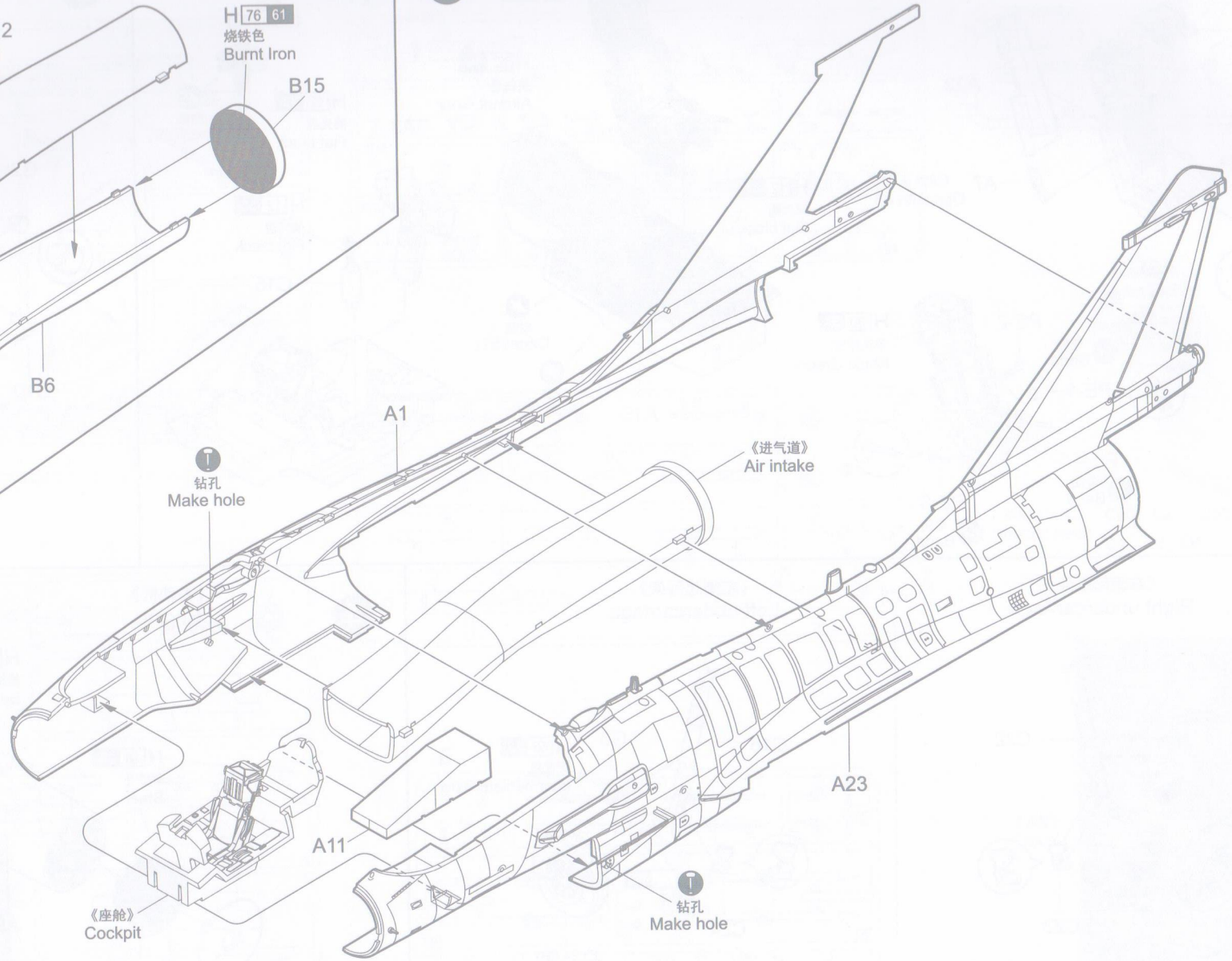


5 《进气道》
Air intake



H 308 308 80%+H 1 1 20%
灰色 Grey 白色 White

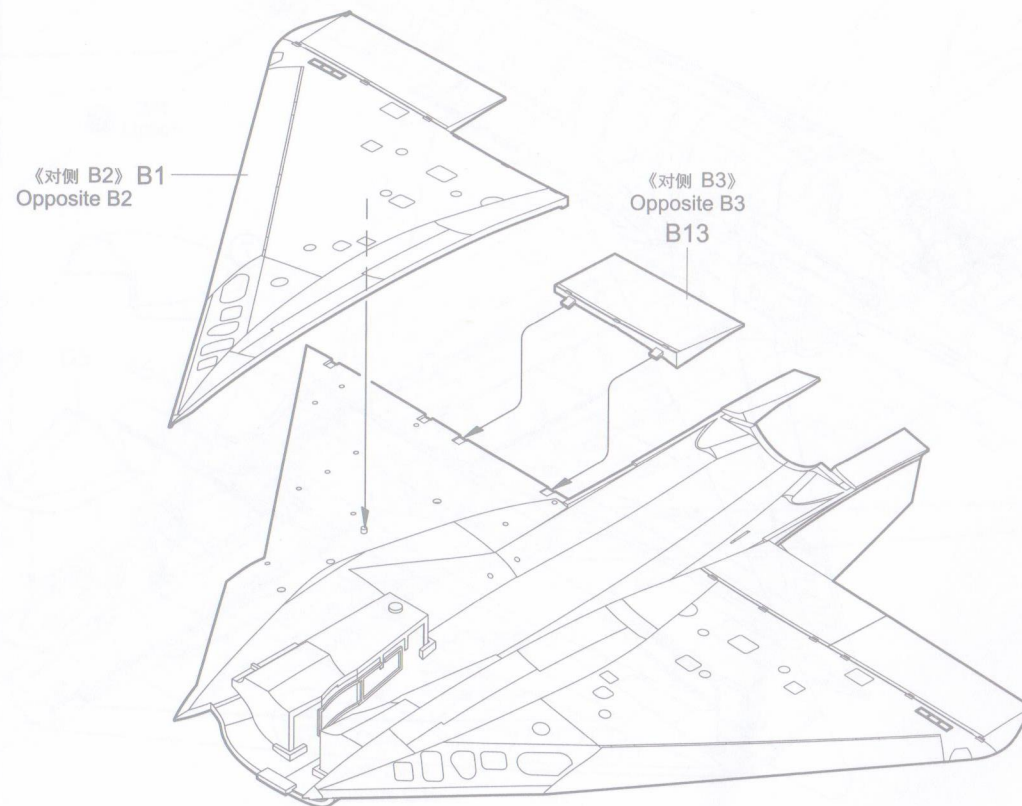
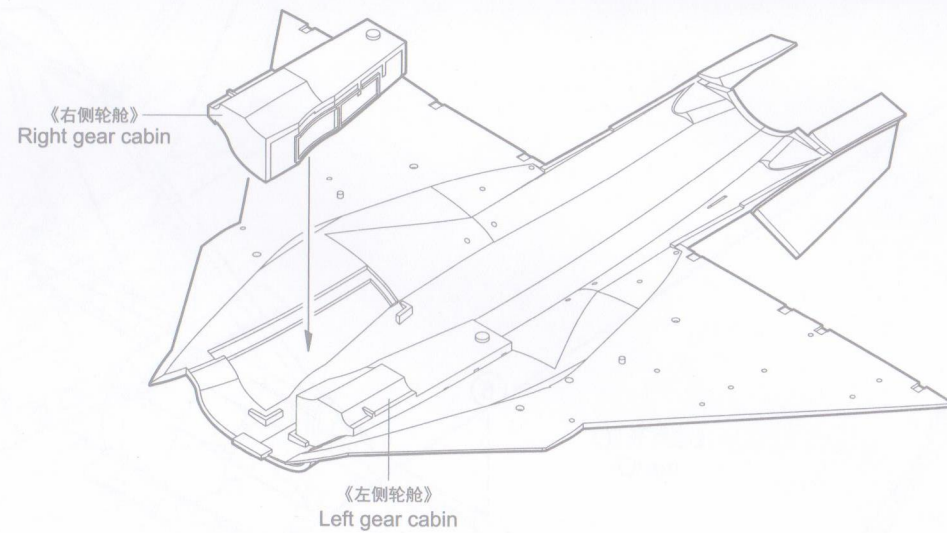
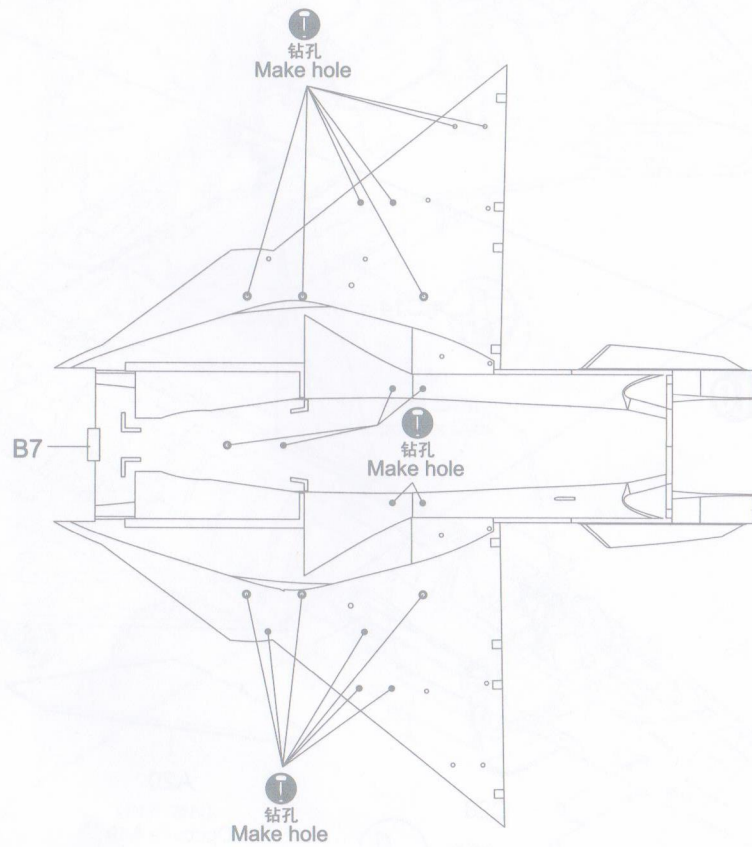
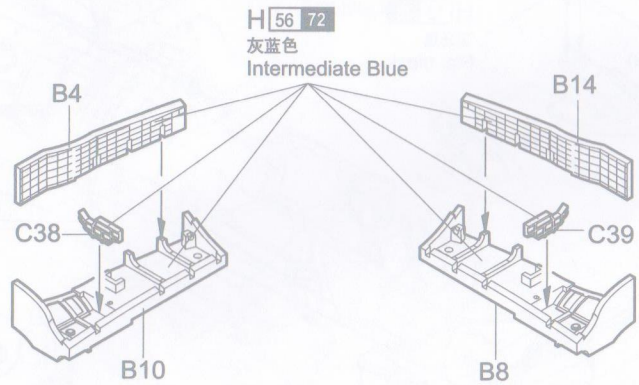
6



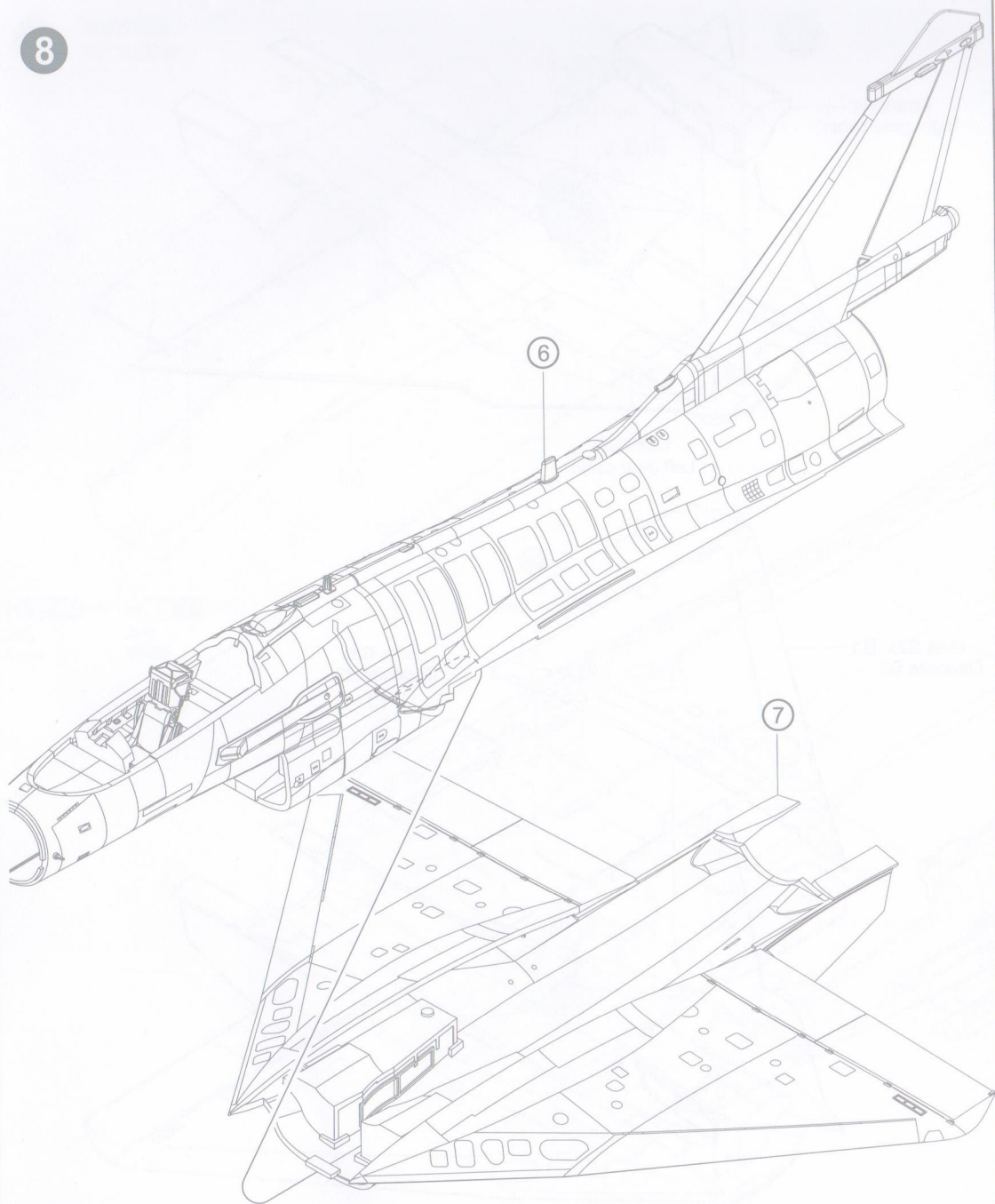
7

《右侧轮舱》
Right gear cabin

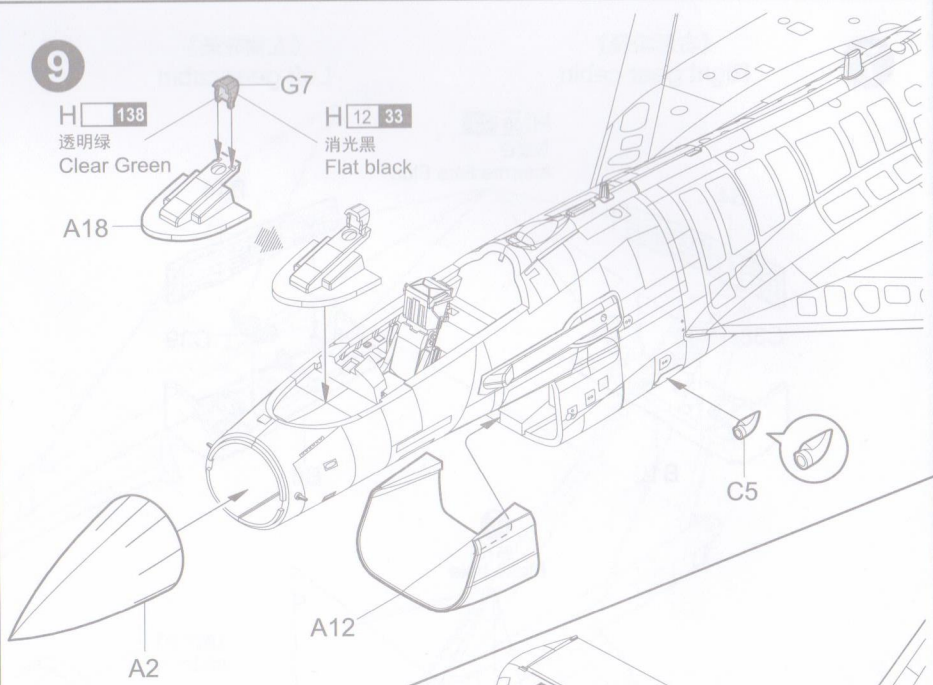
《左侧轮舱》
Left gear cabin



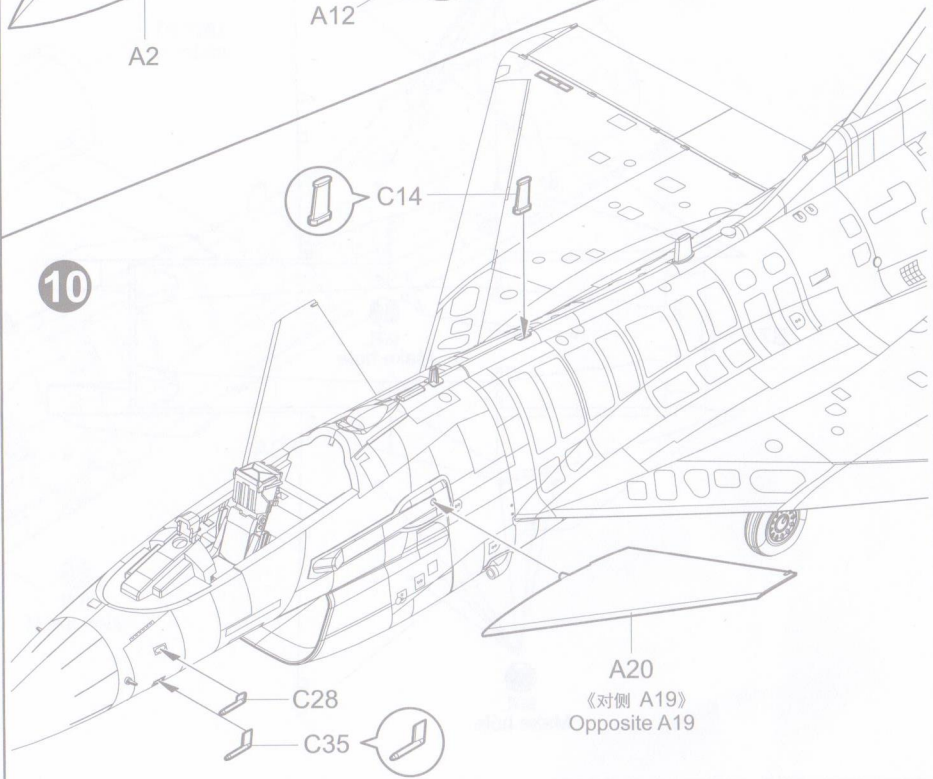
8



9



10



11

A14

H 12 33
消光黑
Flat black

《关闭状态》
Close

切除
Cut / Remove

G4

G6

G5

《打开状态》
Open

选择
Option

C44
《对侧 C45》
Opposite C45

A14

G4

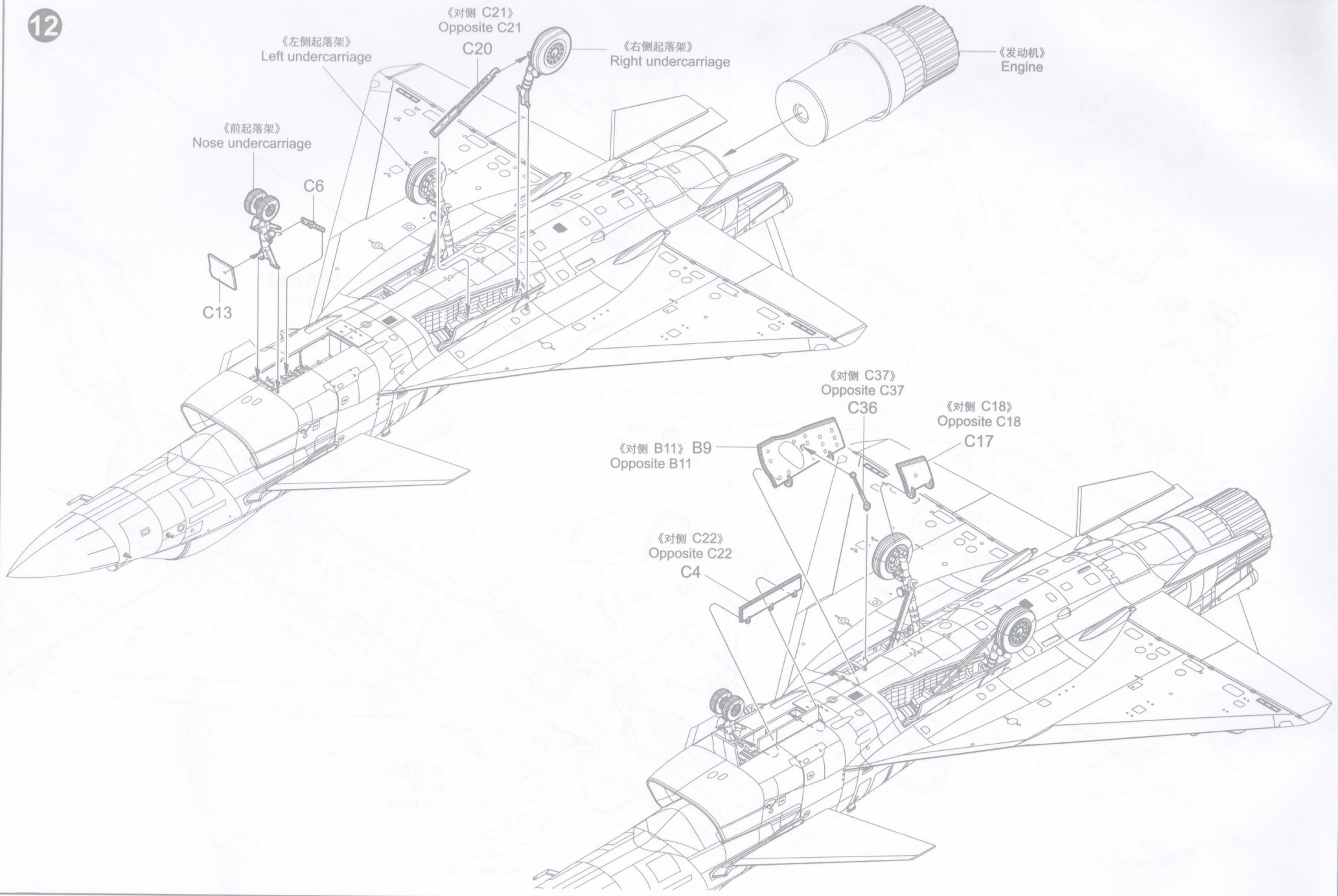
G6

G5

A5

H 12 33
消光黑
Flat black

C44
《对侧 C45》
Opposite C45



《左侧起落架》
Left undercarriage

《对侧 C21》
Opposite C21

C20

《右侧起落架》
Right undercarriage

《发动机》
Engine

《前起落架》
Nose undercarriage

C6

C13

《对侧 B11》 B9
Opposite B11

《对侧 C37》
Opposite C37

C36

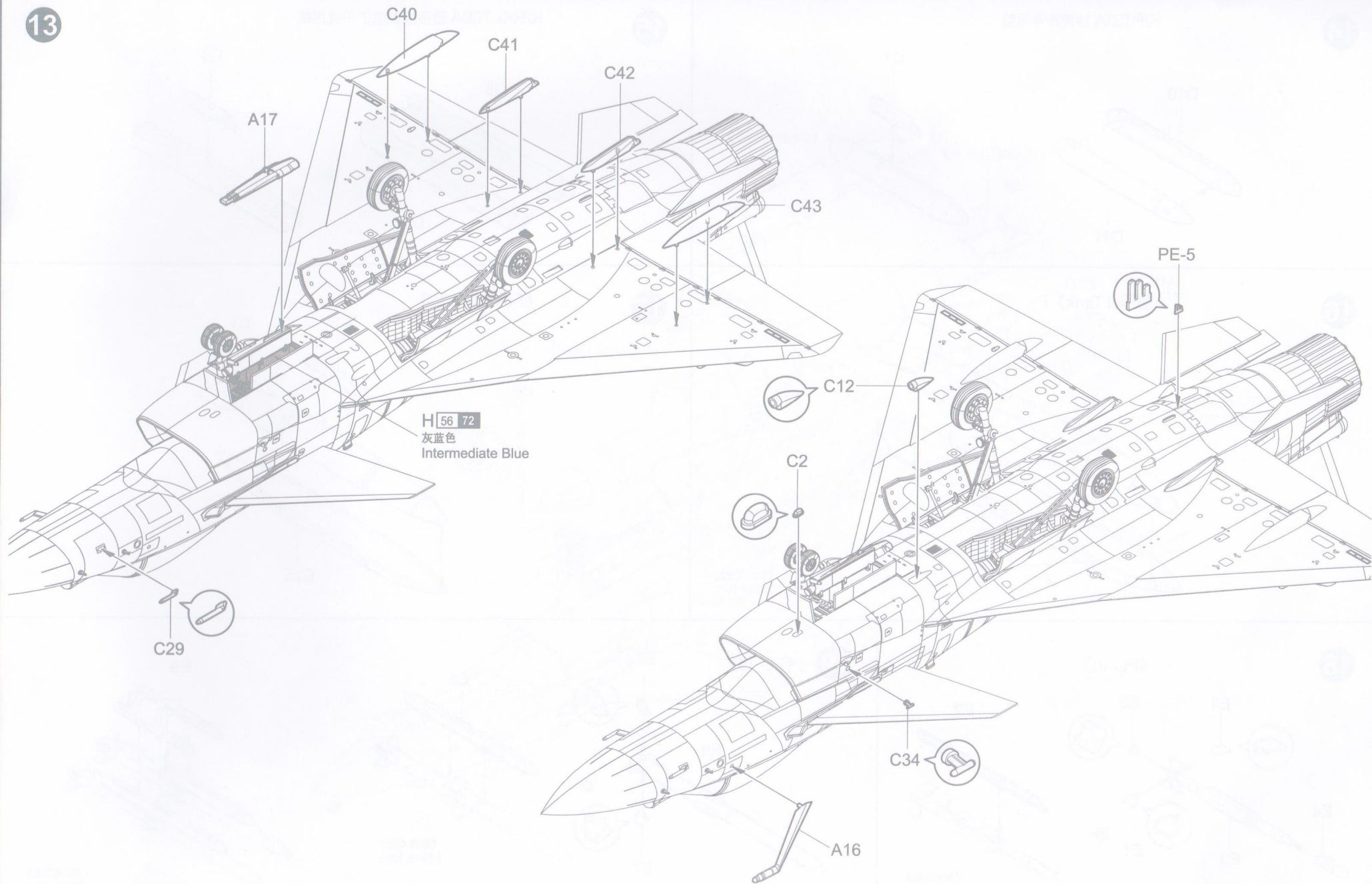
《对侧 C18》
Opposite C18

C17

《对侧 C22》
Opposite C22

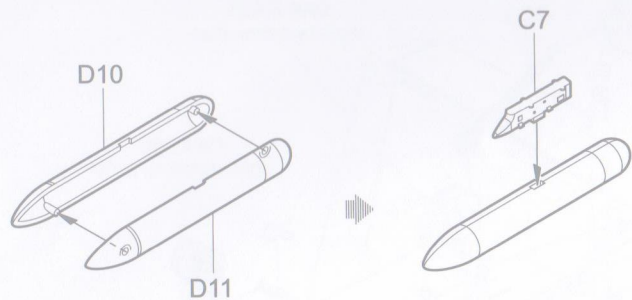
C4

13



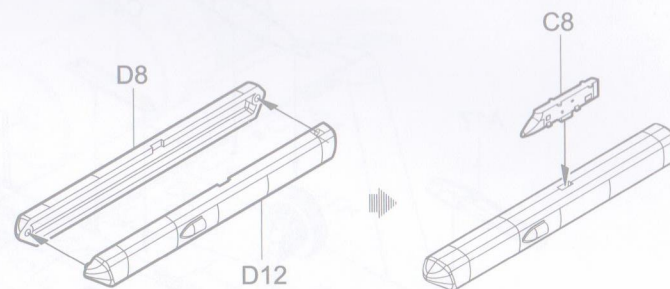
14

K/PTZIA 捕控指令吊舱



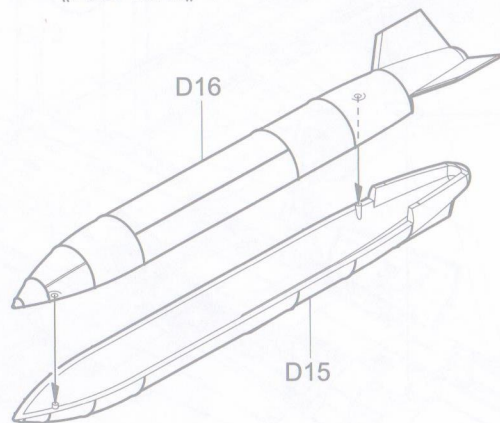
15

K/RKL700A 通用机载电子干扰吊机



16

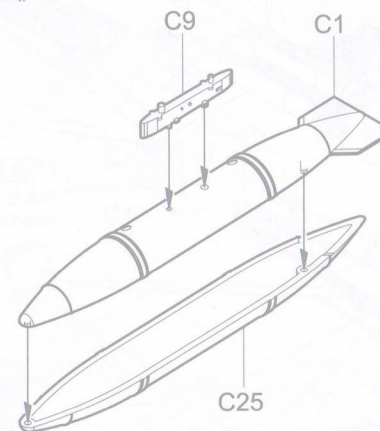
《Fuel Tank》I



《制作2组》
Make two

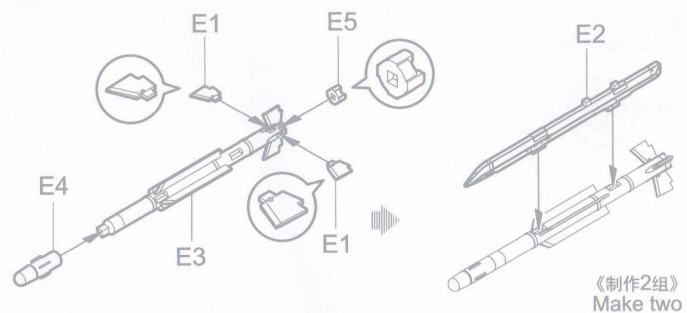
17

《Fuel Tank》II



18

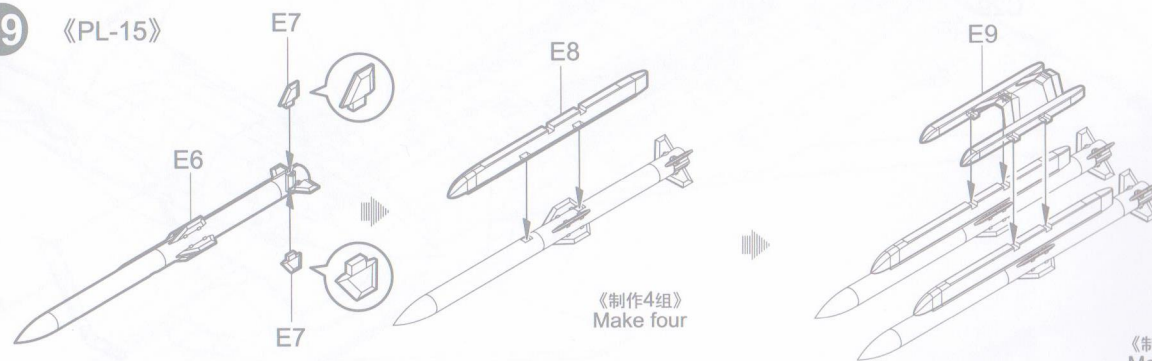
《PL-10》



《制作2组》
Make two

19

《PL-15》



《制作4组》
Make four

《制作2组》
Make two

